

MODEL : DDL-8700A-7

List No : 1582-00

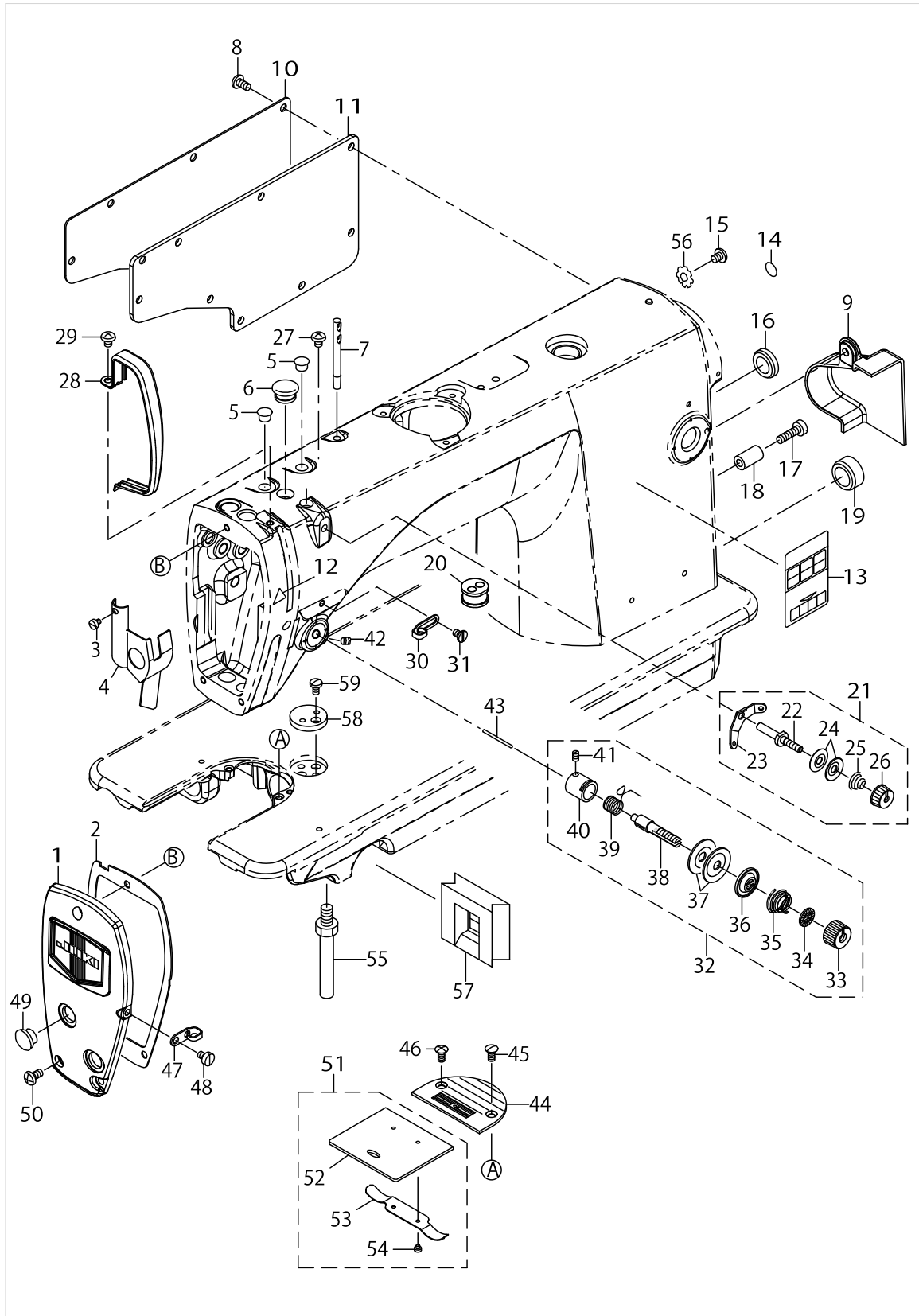
PARTS LIST

Published:05/12/2017

CONTENTS

MACHINE FRAME & MISCELLANEOUS COVER COMPONENTS	1
BOBBIN WINDER COMPONENTS.....	5
MAIN SHAFT & THREAD TAKE-UP LEVER COMPONENTS	7
NEEDLE BAR, UPRIGHT SHAFT & HOOK DRIVING SHAFT COMPONENTS	9
HAND LIFTER COMPONENTS	11
FEED MECHANISM COMPONENTS.....	15
THREAD TRIMMER COMPONENTS	19
AUTOMATIC REVERSE FEED COMPONENTS.....	23
WIPER COMPONENTS.....	25
OIL LUBRICATION COMPONENTS	27
OIL RESERVOIR COMPONENTS	29
PSC UNIT.....	31
THREAD STAND COMPONENTS.....	35
EXCLUSIVE PARTS FOR DDL-8700AH-7.....	37
HOW TO MAKE USE OF THIS PARTS LIST	41

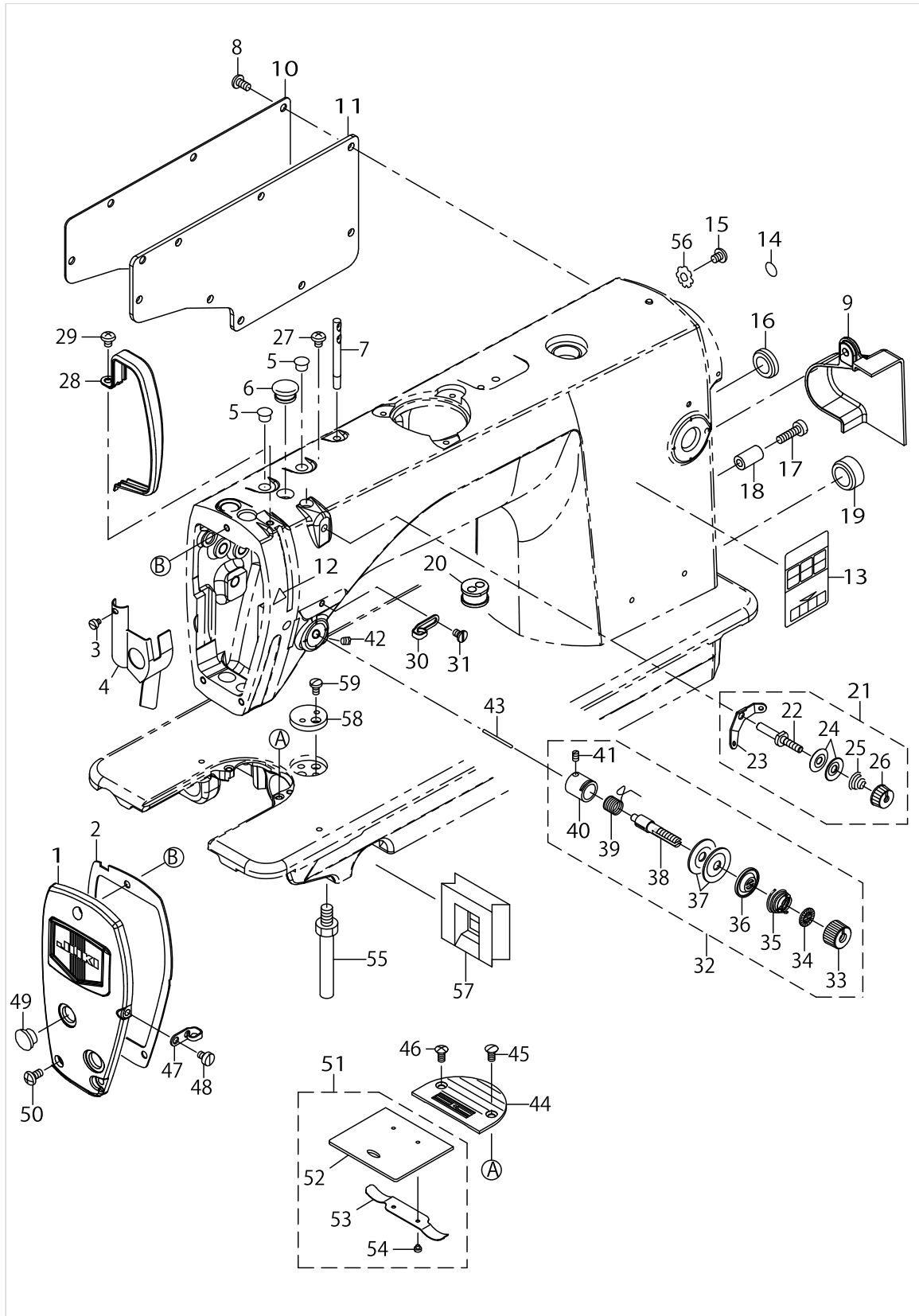
MACHINE FRAME & MISCELLANEOUS COVER COMPONENTS



MACHINE FRAME & MISCELLANEOUS COVER COMPONENTS

No.	Supply Code	Parts No.	Replacement	Parts name	Remarks	Choice	Step	Level	Cons	Qty	Rep. QTY
1		40102097		FACE_PLATE_ASM						1	
2		40012126		FACE PLATE PACKING						1	
3		SS6080410SP		SCREW 1/8-44 L=4						1	
4		22900757		FACE PLATE OIL SHIELD ASM.						1	
5		TA0850604R0		RUBBER PLUG						2	
6		TA1250705R0		RUBBER PLUG						1	
7		22958300		NEEDLE THREAD GUIDE PIN						1	
8		SS4120915SP		SCREW 3/16-28 L=9						8	
9		40110987		LEVER_COVER						1	
10		22900401		WINDOW PLATE						1	
11		40012129		SIDE PLATE PACKING						1	
12		CM300200001		ATTENTION SEAL						1	
13		CM301200001		SAFETY LABEL_S						1	
14		22901805		GROUND MARK						1	
15		SS4120615SP		SCREW 3/16-28 L=6						1	
16		TA2000502R0		RUBBER PLUG						1	
17		SS6121840SP		SCREW 3/16-28 L=18						1	
18		22952501		BACK LEVER STOPPER						1	
19		TA2101002R0		RUBBER PLUG						1	
20		40093432		MAGNET CORD RUBBER						1	
21		22945463		THREAD TENSION ASM. ,NO.1						1	
22		22945414		THREAD TENSION POST				*		1	
23	R	22945604	22963458	THREAD TENSION GUIDE		A	DDL8700H-7/8700J--7/9000B, DLN6390-7	*		1	1.00
23	R	22945604	22945463	THREAD TENSION GUIDE		B	DDL8700-7 and so on	*		1	1.00
24		22945802		THREAD TENSION DISK				*		2	
25		22945505		THREAD TENSION SPRING				*		1	
26		22945703		THREAD TENSION NUT				*		1	
27		SS4120615SP		SCREW 3/16-28 L=6						1	
28		22900609		THREAD TAKE-UP LEVER COVER						1	
29		SS4120615SP		SCREW 3/16-28 L=6						1	
30		22920508		ARM THREAD GUIDE A						1	
31		22921001		SCREW						1	
32		22945356		THREAD TENSION ASM.						1	
33		22921308		THREAD TENSION NUT				*		1	
34		22921407		ROTATION STOPPER				*		1	
35		22921704		THREAD TENSION SPRING, A				*		1	
36		22921803		DISK STOPPER				*		1	
37		22921506		THREAD TENSION DISK				*		2	
38		22921209		THREAD TENSION POST				*		1	
39		22921605		THREAD TAKE-UP SPRING				*		1	
40		22945307		THREAD TENSION POST BASE				*		1	
41		SS8090670SP		SCREW 9/64-40 L=5.5				*		1	
42		SS8150710TP		SCREW 15/64-28 L=7						1	
43		22920904		TENSION RELEASING						1	

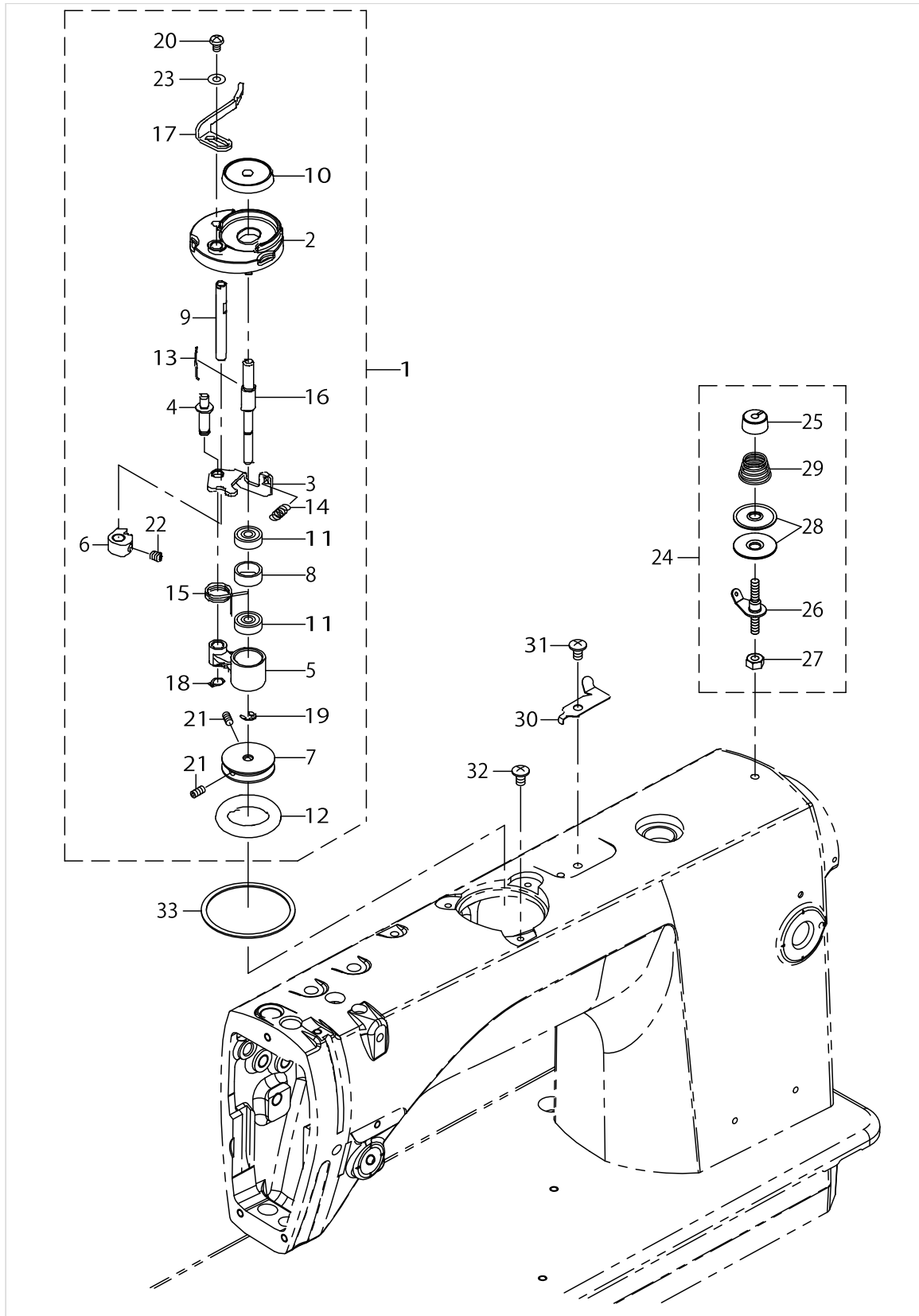
MACHINE FRAME & MISCELLANEOUS COVER COMPONENTS



MACHINE FRAME & MISCELLANEOUS COVER COMPONENTS

No.	Supply Code	Parts No.	Replacement	Parts name	Remarks	Choice	Step	Level	Cons	Qty	Rep. QTY
44		B1109552000		THROAT PLATE						1	
45		SS2110920TP		SCREW 11/64-40 L=8.5						1	
46		SS2110915SP		SCREW 11/64-40 L=8.5						1	
47		22920607		ARMTHREADGUIDEB						1	
48		SS6110610TP		SCREW 11/64-40 L=6						1	
49		TA1250406R0		RUBBER PLUG D=12.5 L=4						2	
50		SS4120915SP		SCREW 3/16-28 L=9						3	
51		22901250		SLIDE PLATE ASM.						1	
52	R	22901201	22901250	SLIDE PLATE				*		1	1.00
53		22901300		SLIDE PLATE SPRING				*		1	
54		SS6060210SP		SCREW 3/32-56 L=1.9				*		2	
55		22901003		BED SCREW STUD						4	
56		WT0530002KS		TOOTHED WASHER D=5.3						1	
57		22935407		BED OIL SHIELD RUBBER						1	
58		40099083		RULER STOP SEAT						1	
59		SS7110720SP		SCREW 11/64-40 L=7						2	

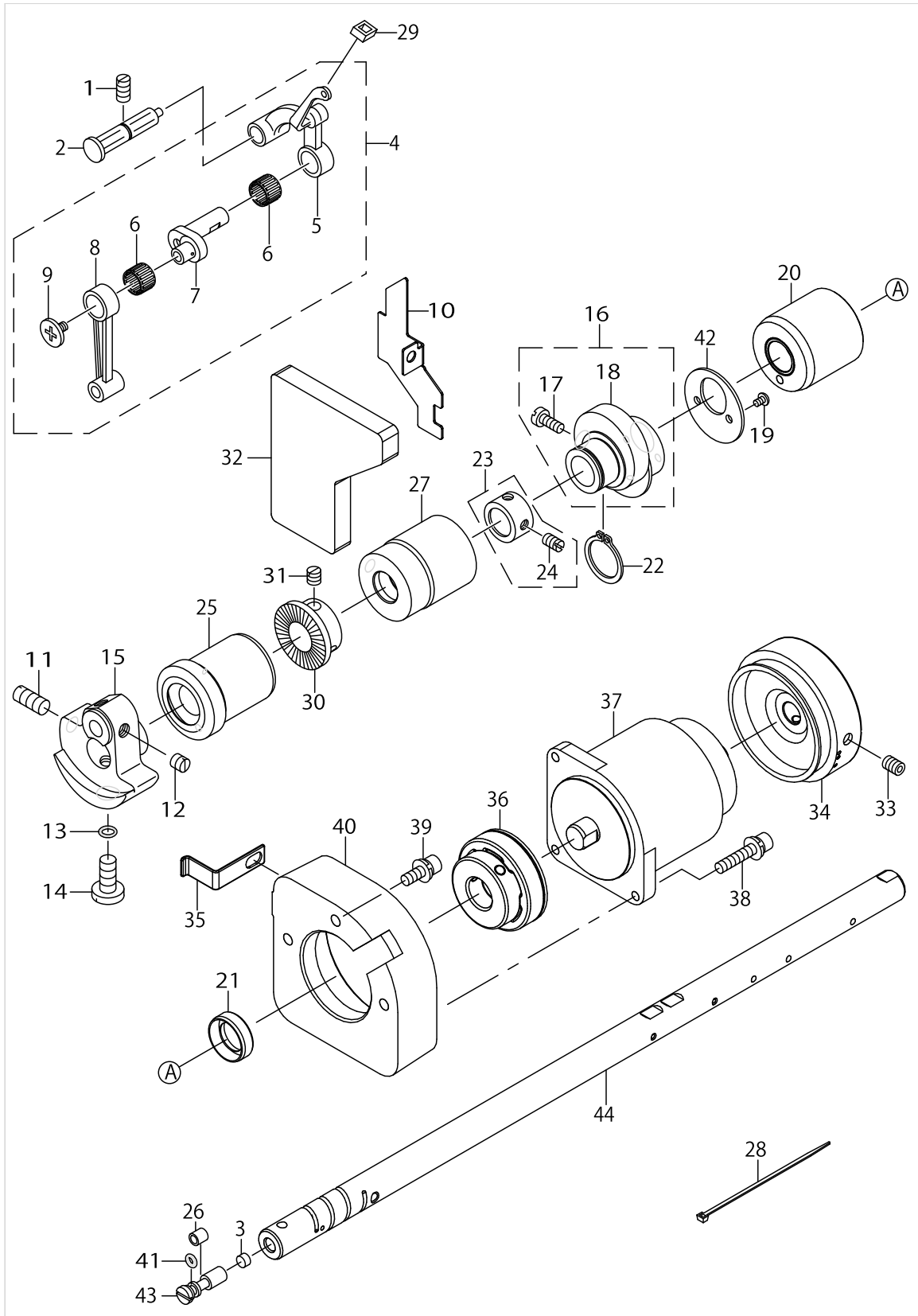
BOBBIN WINDER COMPONENTS



BOBBIN WINDER COMPONENTS

No.	Supply Code	Parts No.	Replacement	Parts name	Remarks	Choice	Step	Level	Cons	Qty	Rep. QTY
1		40110976		BOBBIN_WINDER_UNIT						1	
2	R	26260109	26260000	BTW_BASE				*		1	1.00
3		26260208		BTW_CAM_PLATE				*		1	
4		26260307		BTW_BASE_SHAFT				*		1	
5		26260406		BTW_SHAFT_BASE				*		1	
6		26260505		BTW_CAM_LEVER				*		1	
7		26260604		BTW_WHEEL				*		1	
8	R	26260802	26260000	BTW_BEARING_SPACER				*		1	1.00
9		26261008		BTW_LEVER_SHAFT				*		1	
10		26261206		BTW_SPACER				*		1	
11	R	26261305	26260000	BTW_BEARING				*		2	1.00
12		26261503		BTW_WHEEL_RUBBER				*		1	
13		26261602		BOBBIN_SPRING				*		1	
14		26261701		BTW_SPRING				*		1	
15		40011144		BTW_TORSION_SPRING				*		1	
16		40110975		BTW_SHAFT				*		1	
17		40021933		BTW_LEVER				*		1	
18		RC0560711KP		RETAINING RING				*		1	
19		RE0400000K0		E-RING 4				*		1	
20		SM5040655SN		SCREW				*		1	
21		SM8040802TP		SCREW M4X8				*		2	
22		SM8050502TP		SCREW M5 L=5				*		1	
23		WP0450826SC		WASHER 4.5X10X0.8				*		1	
24		40110731		BOBBIN_THREAD_TENSION_ASSY						1	
25		22945703		THREAD TENSION NUT				*		1	
26		40110734		BOBBIN_THREAD_ROD_ASSY				*		1	
27		NS6120630SP		NUT 3/16-28				*		1	
28		22921506		THREAD TENSION DISK				*		2	
29		D7133555B00		CONNECTING ROD SPRING				*		1	
30		40037008		THREAD_CUTTER						1	
31		SM0050801SC		SCREW						1	
32		SM0050801SC		SCREW						3	
33		22538706		PACKING						1	

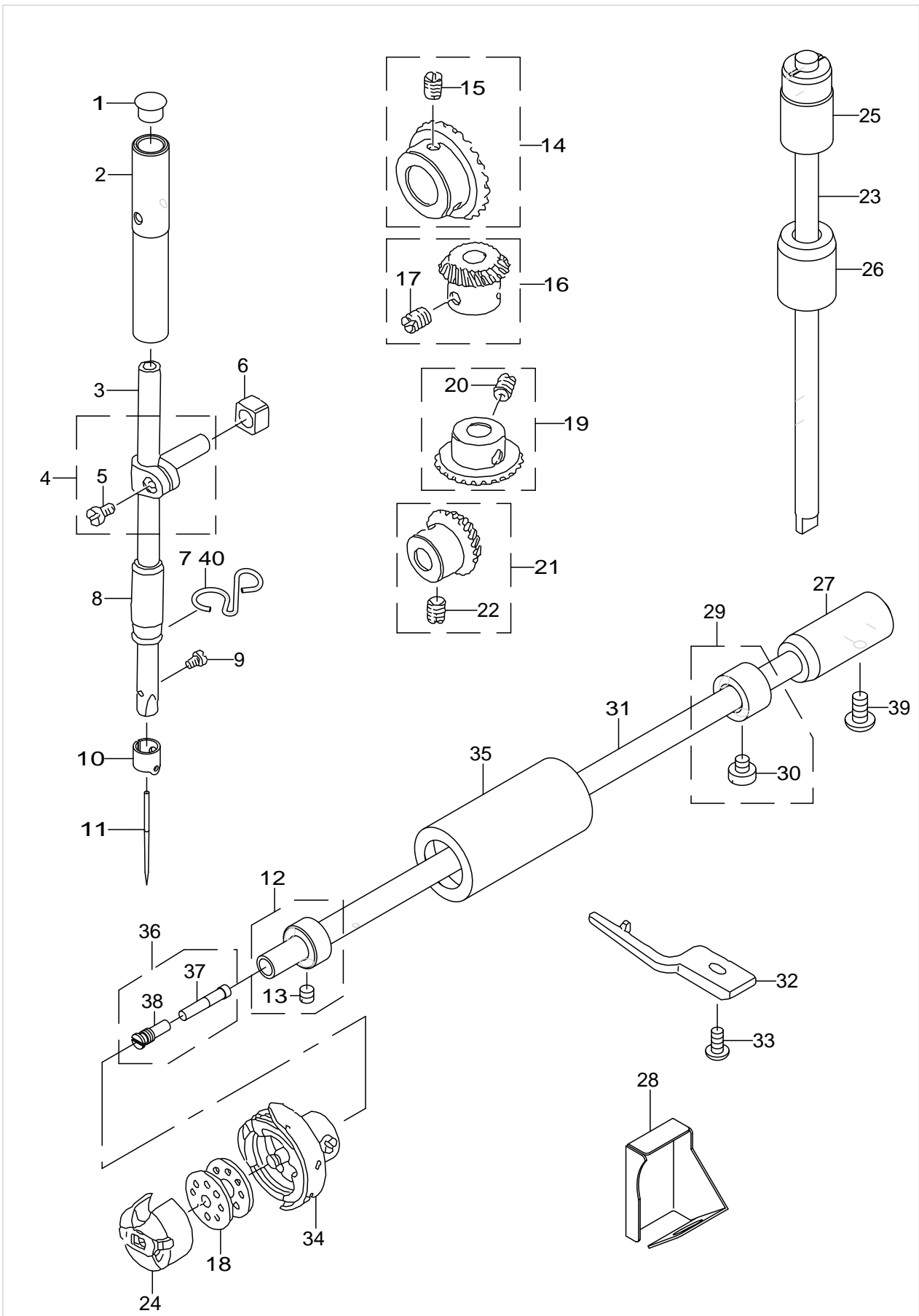
MAIN SHAFT & THREAD TAKE-UP LEVER COMPONENTS



MAIN SHAFT & THREAD TAKE-UP LEVER COMPONENTS

No.	Supply Code	Parts No.	Replacement	Parts name	Remarks	Choice	Step	Level	Cons	Qty	Rep. QTY
1		SS8151150TP		SCREW 15/64-28 L=10.5						1	
2		22919559		THREAD TAKE-UP CRANK SHAFT ASM.						1	
3		11002904		ROLLER FELT						1	
4	R	11039070	22918072	THREAD TAKE-UP LEVER ASM.						1	1.00
5	R	11039062	22918072	THREAD TAKE-UP LEVER ASM.				*		1	1.00
6		B1905541B00		NEEDLE BEARING				*		2	
7	R	11005204	22918106	NEEDLE BAR CRANK				*		1	1.00
8	R	B1408552000	22906606	NEEDLE BAR CRANK ROD				*		1	1.00
9		B1903552000		LEFT SCREW				*		1	
10		40111423		OIL_SHIELD_PLATE						1	
11		SS8681650TP		SCREW 9/32-28 L=16						1	
12		SS8660610TP		SCREW 1/4-40 L=6						2	
13		RO044240100		RUBBER RING						1	
14		SS7681650TP		SCREW 9/32-28 L=16						1	
15		40110376		COUNTER_WEIGHT						1	
16		22910053		FEED DRIVE ECCEN-TRIC CAM ASM.						1	
17		SS6661110SP		SCREW 1/4-40 L=11				*		2	
18	R	22910004	22910053	FEED DRIVE ECCENTRIC CAM				*		1	1.00
19		SS4090615SP		SCREW 9/64-40 L=6						2	
20		40110978		MAIN_SHAFT_BUSHING						1	
21		22888002		OIL SEAL						1	
22		RC1850001KP		SNAP RING 18.5						1	
23		22904155		MAIN SHAFT THRU-ST COLLAR ASM.						1	
24		SS8660610TP		SCREW 1/4-40 L=6				*		2	
25		22903207		MAIN SHAFT BUSHING, FRONT						1	
26		B1215552000		OIL ADJUSTING COLLAR						1	
27		22903306		BUSHING,INTERMEDIATE						1	
28		EA9500B0100		CABLE BAND						1	
29		22919203		OIL PROTECTING RUBBER						1	
30	R	22538805	22538854	DRIVING WHEEL						1	1.00
31		SS8660610TP		SCREW 1/4-40 L=6						2	
32		40111424		FILTER						1	
33		SM80608A2TP		SCREW M6 L=8						2	
34		40111872		HAND_PULLEY						1	
35		40111001		CORD_STOPPER						1	
36		40111025		COUPLING_ASM.						1	
37		40111203		SERVO MOTOR						1	
38		SL6052592TN		BOLT						3	
39		SL6051492TN		BOLT						3	
40		40110979		MAIN_MOTOR_BASE_76						1	
41		RO029180100		RUBBER RING						1	
42		22910103		THRUST COLLAR						1	
43		22903900		ADJUSTING PIN						1	
44		40110977		MAIN_SHAFT						1	

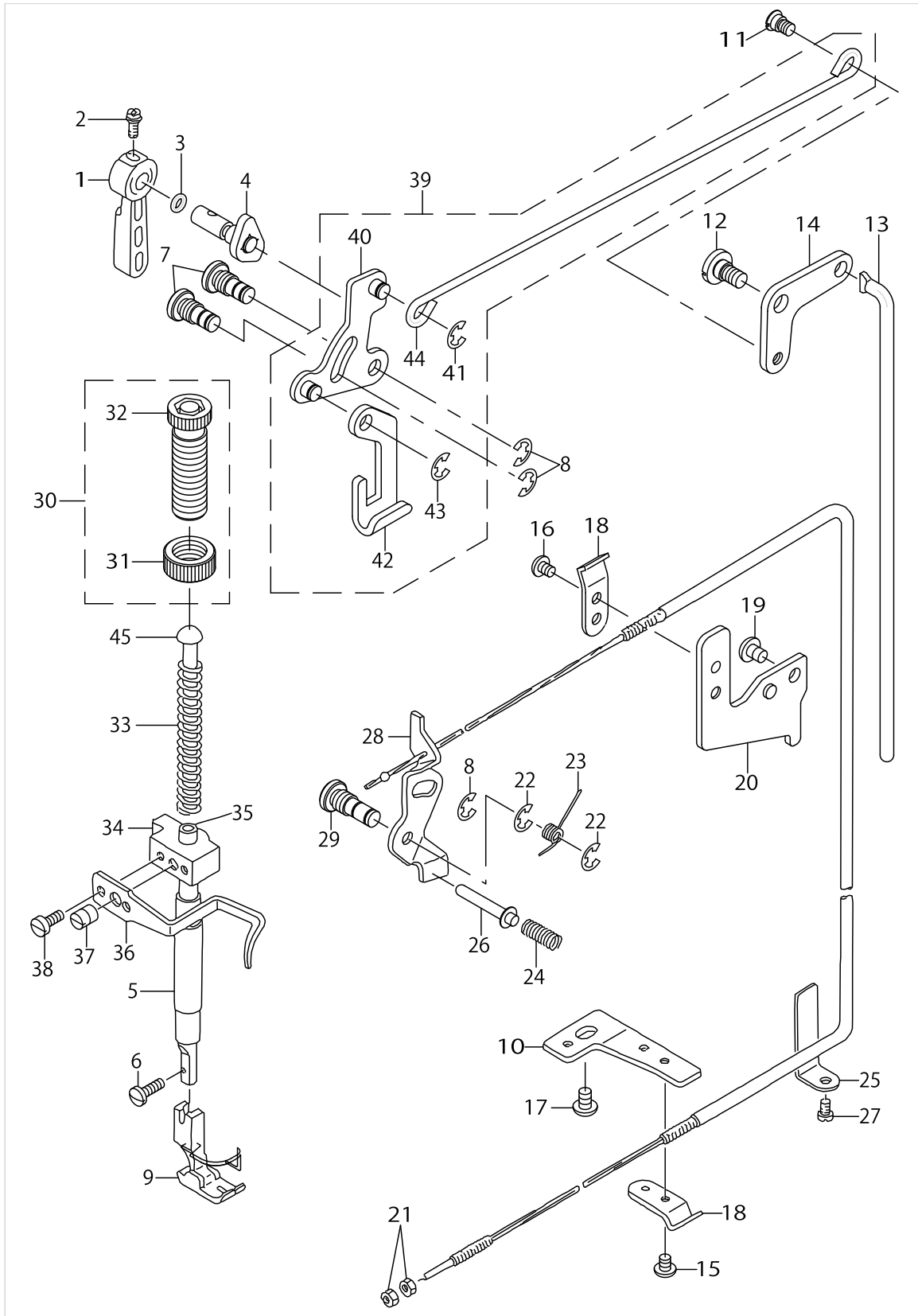
NEEDLE BAR, UPRIGHT SHAFT & HOOK DRIVING SHAFT COMPONENTS



NEEDLE BAR, UPRIGHT SHAFT & HOOK DRIVING SHAFT COMPONENTS

No.	Supply Code	Parts No.	Replacement	Parts name	Remarks	Choice	Step	Level	Cons	Qty	Rep. QTY
1		TA0850604R0		RUBBER PLUG						1	
2		22906101		NEEDLE BAR BUSHING, UPPER						1	
3		22939508		NEEDLE BAR						1	
4		22906457		NEEDLE BAR HOLDER ASM.						1	
5		SS6090670TP		SCREW 9/64-40 L=6				*		1	
6		40090058		SLIDE BLOCK						1	
7		40012444		NEEDLE BAR THREAD GUIDE						1	
8		22906200		NEEDLE BAR BUSHING, LOWER						1	
9		SS7080510TP		SCREW 1/8-44 L=4.5						1	
10		22906309		NEEDLE BAR THREAD GUIDE						1	
11		MDB100B1400		NEEDLE DBX1 #14						1	
12	R	40101694	22917058	THRUST_COLLAR_ASM_FRONT						1	1.00
13		SS8110410TP		SCREW 11/64-40 L= 3.5				*		2	
14		40090002		UPPER LARGE BEVEL GEAR ASM.						1	
15		SS8660810TP		SCREW 1/4-40 L=8				*		2	
16		40090003		UPPER SMALL BEVEL GEAR ASM.						1	
17		SS8660810TP		SCREW 1/4-40 L=8				*		2	
18		22932909		BOBBIN						1	
19		40090004		LOWER LARGE BEVEL GEAR ASM.						1	
20		SS8660810TP		SCREW 1/4-40 L=8				*		2	
21		40090005		LOWER SMALL BEVEL GEAR ASM.						1	
22		SS8660810TP		SCREW 1/4-40 L=8				*		2	
23		22905004		UPRIGHT SHAFT						1	
24		11038759		BOBBIN CASE ASM.						1	
25		22905103		UPRIGHT SHAFT BUSHING, UPPER						1	
26		22905202		UPRIGHT SHAFT BUSHING, LOWER						1	
27		22916308		HOOK DRIVING SH- AFT BUSH, REAR						1	
28		22942601		OIL SHIELD						1	
29		22917157		THRUST COLLAR ASM., REAR						1	
30		SS6110420TP		SCREW 11/64-40 L=4.8				*		2	
31		22916001		HOOK DRIVING SHAFT						1	
32		22942502		INNER HOOK PRESSER	FOR DDL-8700AS-7					1	
33		SS4110915TP		SCREW 11/64-40 L=9	FOR DDL-8700AS-7					1	
34		11038650		HOOK ASM.						1	
35		22916100		HOOK DRIVING SH- AFT BUSH, FRONT						1	
36		22916555		OILSEALSCREWASM.						1	
37		11015906		OIL WICK				*		1	
38		22916506		SET SCREW				*		1	
39		SS4120915SP		SCREW 3/16-28 L=9						1	
40		22920805		NEEDLE BAR THREAD GUIDE	FOR DDL-8700AS-7					1	

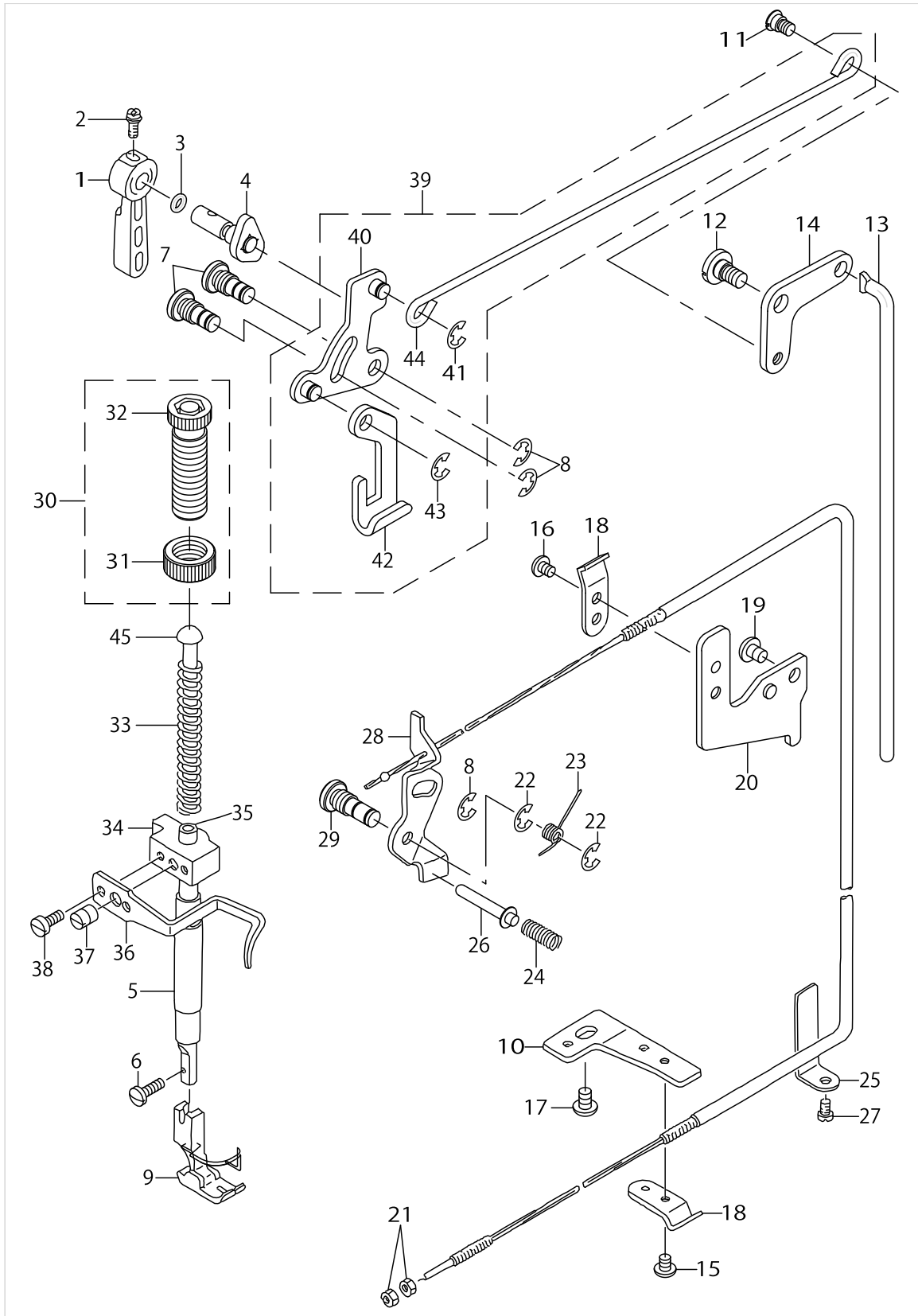
HAND LIFTER COMPONENTS



HAND LIFTER COMPONENTS

No.	Supply Code	Parts No.	Replacement	Parts name	Remarks	Choice	Step	Level	Cons	Qty	Rep. QTY
1		22907802		HAND LIFTER						1	
2		B1521555000		SCREW						1	
3		RO037180100		RUBBER RING						1	
4		22908552		HAND LIFTER CAM ASM.						1	
5		40060989		PRESSER BAR BUSHING LOWER						1	
6		SS7091110TP		SCREW 9/64-40 L=10.5						1	
7		22908701		LINK SHAFT						2	
8		RE0500000K0		E-RING						3	
9		B15240120BA		PRESSER FOOT ASM.						1	
10		22944706		WIRE PRESSER BASE, LOWER						1	
11		22908909		HINGE SCREW						1	
12		SD0720331SP		HINGE SCREW D= 7.24 H= 3.3						1	
13		22909006		KNEE LIFTER CONNECTING ROD						1	
14		22908800		KNEE LIFTER LINK						1	
15		SS4110515SP		SCREW 11/64-40 L=5						1	
16		SS4110515SP		SCREW 11/64-40 L=5						1	
17		SS4150915SP		SCREW 15/64-28 L=9						1	
18		22944508		WIRE PRESSER A						2	
19		SS4120615SP		SCREW 3/16-28 L=6						1	
20		22944607		WIRE PRESSER BASE, UPPER						1	
21		NS6620310SP		NUT 3/16-32						2	
22		RE0500000K0		E-RING						2	
23		22920201		RETURN SPRING						1	
24		22920409		THREAD RELEASE PIN SPRING						1	
25		22945109		WIRE CABLE SUPPORT						1	
26		22920300		THREAD RELEASE SUPPORTING PIN						1	
27		SS4120615SP		SCREW 3/16-28 L=6						1	
28		22944854		THREAD RELEASE WIRE ASM.						1	
29		22920102		TENSION RELEASE SHAFT						1	
30		22907554		PRESSER SPRING REGULATOR ASM.¥n						1	
31	R	22907604	22907554	PRESSER SPRING REGULATOR NUT					*	1	1.00
32	R	22907505	22907554	PRESSER SPRING REGULATOR					*	1	1.00
33		22907406		PRESSER SPRING						1	
34		22907208		PRESSER BAR GUIDE BRACKET						1	
35		40017805		PRESSER BAR						1	
36		22907307		THREAD GUIDE	FOR DDL-8700AS-7					1	
37		SS8660810TP		SCREW 1/4-40 L=8						1	
38		SS6090910SP		SCREW 9/64-40 L=9						2	
39		22908354		KNEE LIFTING CROSS ROD ASM.						1	
40	R	22908156	22908354	LIFTING LINK ASM.					*	1	1.00
41		RE0500000K0		E-RING					*	1	
42	R	22908008	22908354	LIFTING PLATE		A	DDL-5550 5550N 555- 0N-7 5556- N-7 5600NL-7		*	1	1.00
42	R	22908008	23609357	LIFTING PLATE		B	DDL-9000A 9000B		*	1	1.00
42	R	22908008	40057398	LIFTING PLATE		C	LH-3500		*	1	1.00

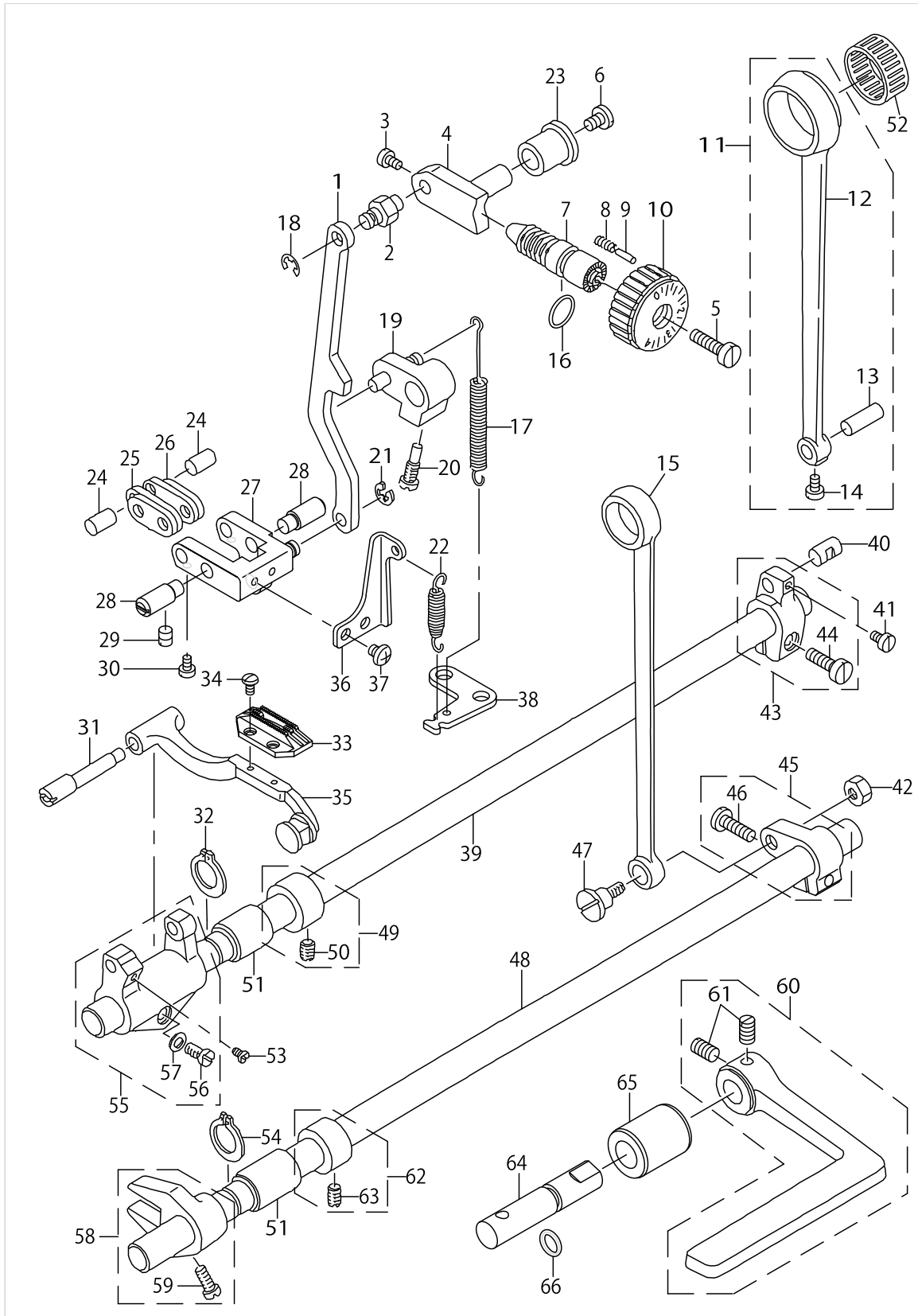
HAND LIFTER COMPONENTS



HAND LIFTER COMPONENTS

No.	Supply Code	Parts No.	Replacement	Parts name	Remarks	Choice	Step	Level	Cons	Qty	Rep. QTY
42	R	22908008	40174387	LIFTING PLATE		D	DDL-9000C	*		1	1.00
43		RE0500000K0		E-RING				*		1	
44		22908305		KNEE LIFTER SIDE ROD				*		1	
45		22907703		PRESSER GUIDE BAR				*		1	

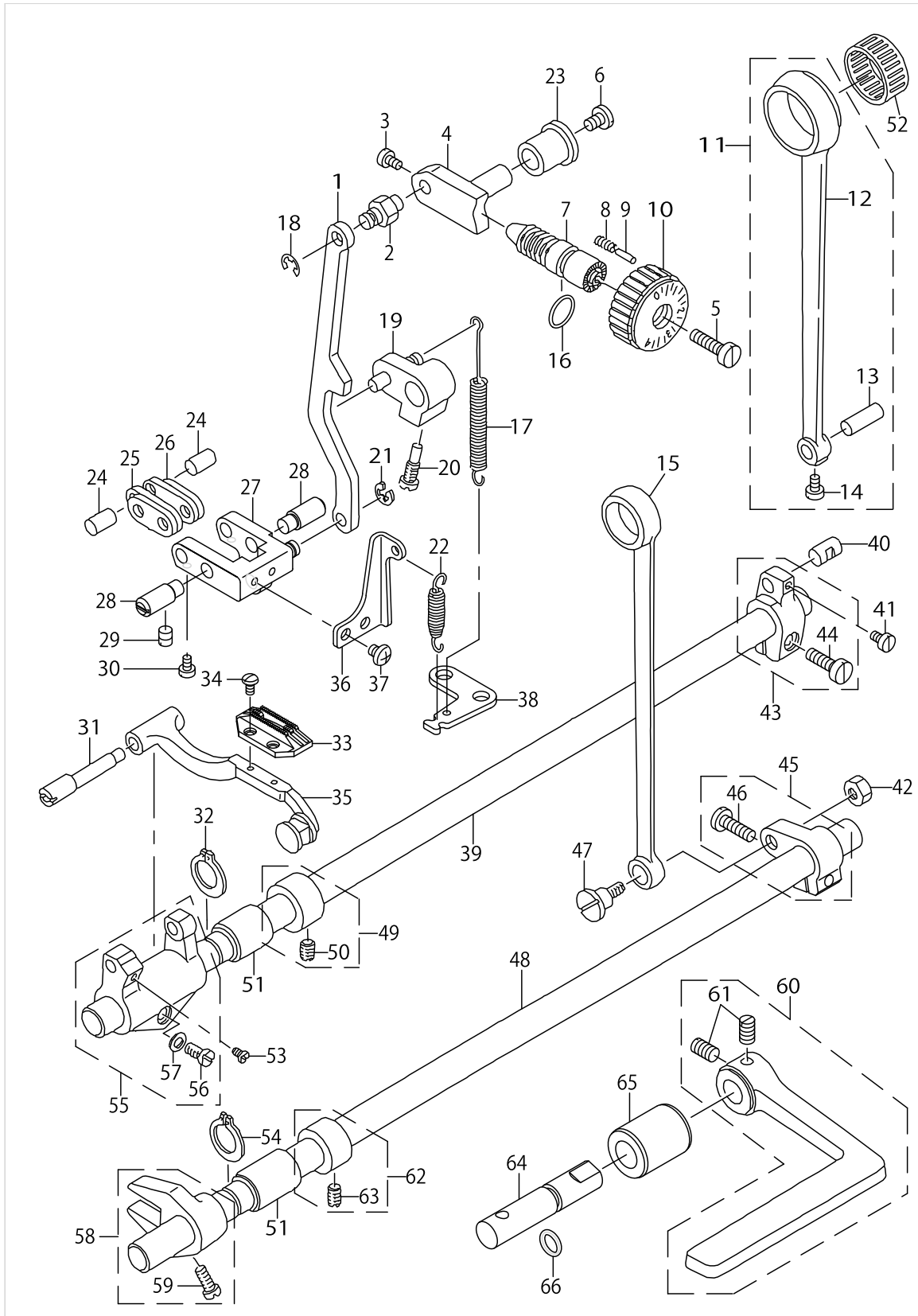
FEED MECHANISM COMPONENTS



FEED MECHANISM COMPONENTS

No.	Supply Code	Parts No.	Replacement	Parts name	Remarks	Choice	Step	Level	Cons	Qty	Rep. QTY
1		22941108		FEED ADJUST ROD						1	
2		22911507		WALKING FOOT PIN C	FOR DDL-8700AS-7					1	
3		SS6090670TP		SCREW 9/64-40 L=6						2	
4		22911606		FEED REGULATOR	FOR DDL-8700AS-7					1	
5		SS6121860SP		SCREW 3/16-28 L=18						1	
6		SS7120770SH		SCREW 3/16-28 L=7						1	
7		22911804		FEED REGULATOR SCREW						1	
8		22912109		FEED REGULATOR PIN SPRING						1	
9		22912000		FEED REGULATOR PIN						1	
10		22940506		FEED DIAL						1	
11		22910251		CONNECTING ROD ASM.						1	
12	R	22910202	22910251	ROCKER SHAFT CO- NNECTING ROD				*		1	1.00
13		22911101		WALKING FOOT PIN C				*		1	
14		SS6090620TP		SCREW				*		1	
15		22915003		CONNECTING ROD						1	
16		RO092270200		RUBBER RING						1	
17		11010311		LEVER SPRING	¥n					1	
18		RE0500000K0		E-RING						1	
19		22912257		FEED REVERSE ARM ASM.						1	
20		22912505		FEED REVERSE ARM SCREW						1	
21		RE0500000K0		E-RING						1	
22		11037405		SPRING	FOR DDL-8700AS-7					1	
23		11009800		FEED REGULATOR BUSHING						1	
24		22910905		WALKING FOOT PIN A						2	
25		40089548		CONNECTING LINK B						2	
26		40093417		CONNECTING LINK A						2	
27		22940951		FEED ADJUST LINK ASM.						1	
28		22910806		ADJUST LINK FULCRUM SHAFT A						2	
29		SS8150710TP		SCREW 15/64-28 L=7						2	
30		SS6090620TP		SCREW						2	
31		40101462		FEED BASE SHAFT						1	
32		RC0150001KP		RETAINING RING 13.8						1	
33		B1613012I00		FEED DOG I						1	
34		SS4080620TP		SCREW 1/8-44 L=6						2	
35		22940753		FEED BAR ASM.						1	
36		22941306		REGULATOR LINK SPRING HOOK						1	
37		SS4110515SP		SCREW 11/64-40 L=5						2	
38		22913701		FEED SPRING HOOK						1	
39		22912901		FEED ROCKER SHAFT						1	
40		22911002		WALKING FOOT PIN B						1	
41		SS6090620TP		SCREW						1	
42		NS6680410SP		NUT 9/32-28						1	
43		22910350		FEED ROCKER SHAFT FT CRANK ASM.						1	
44		SS6121610SP		SCREW 3/16-28 L=15.5				*		1	
45		22915151		FEED ARM COMPL.						1	

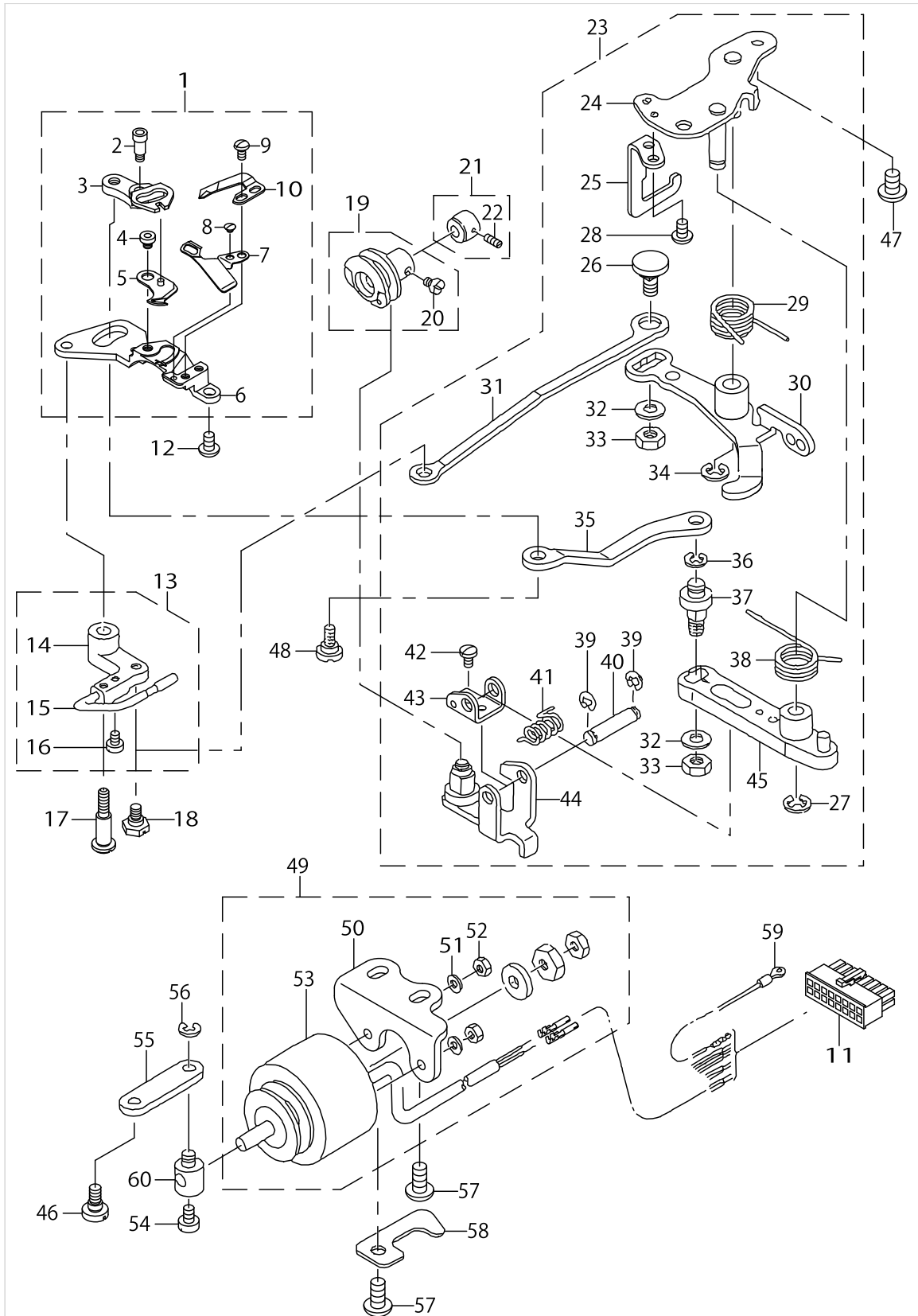
FEED MECHANISM COMPONENTS



FEED MECHANISM COMPONENTS

No.	Supply Code	Parts No.	Replacement	Parts name	Remarks	Choice	Step	Level	Cons	Qty	Rep. QTY
46		SS6121210SP		SCREW 3/16-28 L=12				*		1	
47		SD1000801SH		HINGE SCREW D=10 H=8						1	
48		22915201		FEED DRIVING SHAFT						1	
49		22904155		MAIN SHAFT THRU-ST COLLAR ASM.						1	
50		SS8660610TP		SCREW 1/4-40 L=6				*		2	
51		22913008		FEED ROCKER SHAFT BUSHING						2	
52		40111897		BEARING						1	
53		SS7110740TP		SCREW 11/64-40 L=7						1	
54		RC0150001KP		RETAINING RING 13.8						1	
55		22940654		FEED ROCKER ASM.						1	
56		SS7121410TP		SCREW 3/16-28 L=14				*		1	
57		WP0480856SP		WASHER 4.8X8.4X0.8				*		1	
58		22915359		DRIVING SHAFT CRANK ASM.						1	
59	R	SS7111120SP	SS7111120TP	SCREW 11/64-40 L=10.5				*		1	1.00
60		40102264		FEED_REVER_ASM.						1	
61		SM8061010TP		SCREW				*		2	
62		22904155		MAIN SHAFT THRU-ST COLLAR ASM.						1	
63		SS8660610TP		SCREW 1/4-40 L=6				*		2	
64		40100812		FEED LEVER SHAFT						1	
65		22912802		FEED LEVER SHAFT BUSHING						1	
66		RO078190100		RUBBER RING						1	

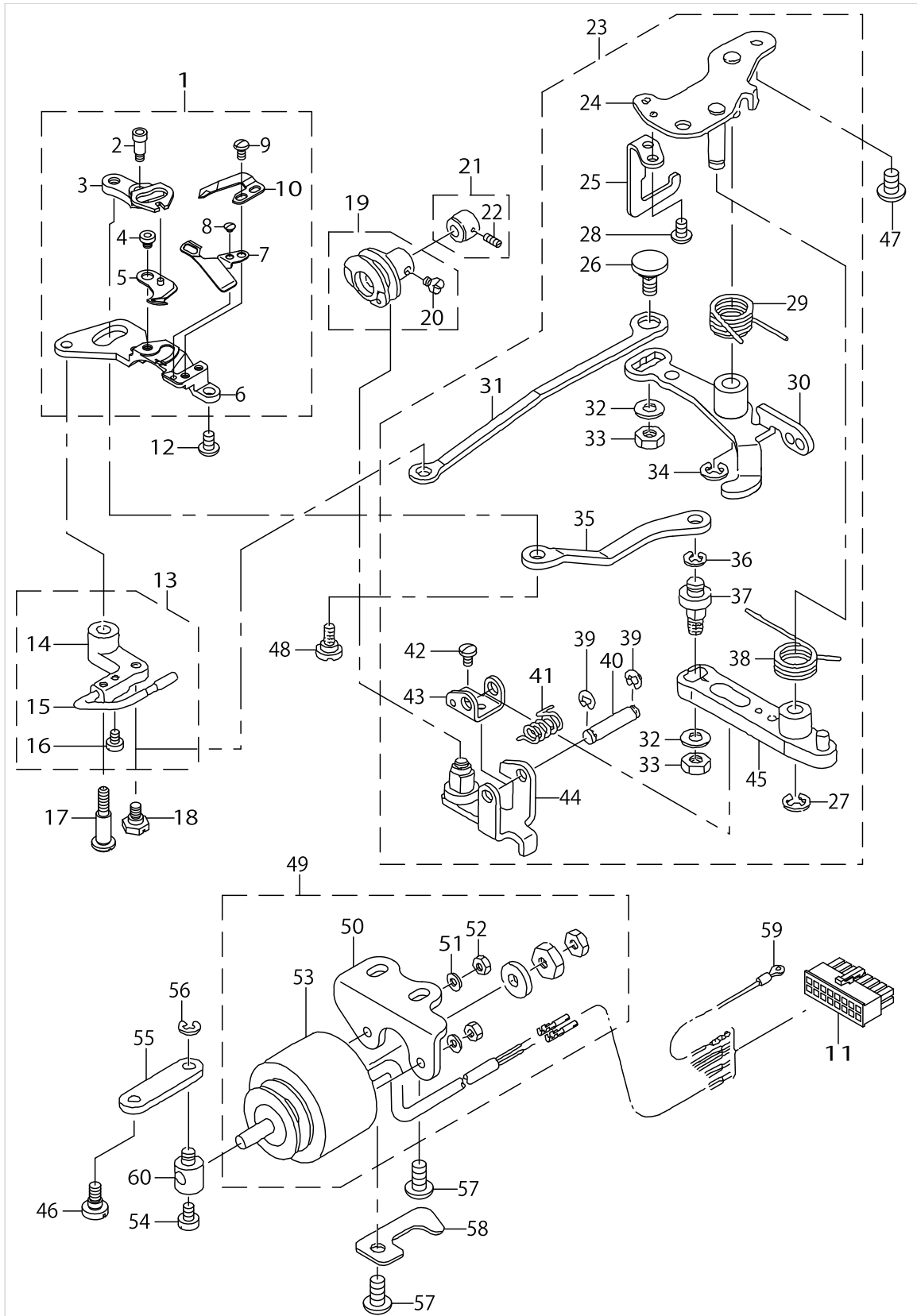
THREAD TRIMMER COMPONENTS



THREAD TRIMMER COMPONENTS

No.	Supply Code	Parts No.	Replacement	Parts name	Remarks	Choice	Step	Level	Cons	Qty	Rep. QTY
1		22947956		KNIFE UNIT						1	
2		SD0460703TP		HINGE SCREW D=4.6 H=7				*		1	
3		22948202		FORKED BASE FOR KNIFE				*		1	
4		11040409		MOVING KNIFE HINGE SCREW				*		1	
5		11040052		MOVING KNIFE ASM.				*		1	
6		22947907		KNIFE INSTALLING BASE				*		1	
7		22947808		THREAD GUIDE FOR KNIFE				*		1	
8		SS2060210SP		SCREW 3/32-56 L=2.3				*		1	
9		SS4080620TP		SCREW 1/8-44 L=6				*		2	
10		D2406555D0H		COUNTER KNIFE				*		1	
11		HK034610140		HOUSING 14P						1	
12		SS4110715SP		SCREW 11/64-40 L=7						1	
13		22950257		PICKER ARM ASM.						1	
14		22950208		PICKER ARM				*		1	
15		22950356		HOOK THREAD PRESSER ASM.				*		1	
16		SS6090510TP		SCREW 9/64-40 L= 5.0				*		2	
17		SD0641451SP		HINGE SCREW D= 6.35 H=14.5						1	
18		SD0630275SP		HINGE SCREW D= 6.35 H= 2.7						1	
19		22950851		THREAD TRIMMER CAM ASM.						1	
20		SS6660610TP		SCREW 1/4-40 L=6				*		2	
21		22950950		CAM COLLAR ASM.						1	
22		SS8110520TP		SCREW 11/64-40 L= 4.5				*		1	
23		22949762		THREAD TRIMMER DRIVING UNIT						1	
24		22949754		BASE PLATE ASM.				*		1	
25		22950703		DRIVING ARM STOPPER				*		1	
26		22950000		PICKER LINK PIN				*		1	
27		RE0600000K0		E-RING 6				*		1	
28		SS4110715SP		SCREW 11/64-40 L=7				*		2	
29		22949408		CLUTCH SPRING				*		1	
30		40087245		CLUTCH PLATE ASM.				*		1	
31		22950109		PICKER LINK				*		1	
32		WP0621016SH		WASHER				*		2	
33		NS6150430SP		NUT 15/64-28				*		2	
34		RE0600000K0		E-RING 6				*		1	
35		22948301		MOVING KNIFE LINK				*		1	
36		RE0500000K0		E-RING				*		1	
37		22948400		MOVING KNIFE LINK PIN				*		1	
38		22949309		KNIFE RETURN SPRING B				*		1	
39		RE0400000K0		E-RING 4				*		2	
40		22949101		ROLLER FULCRUM SHAFT				*		1	
41		22949200		ROLLER RETURN SPRING				*		1	
42		SS7090610SP		SCREW 9/64-40 L=6				*		1	
43		22949002		ROLLER ARM SEAT				*		1	
44		11040953		ROLLER ARM ASM.				*		1	
45	R	11040854	22948558	KNIFE DRIVING ARM ASM.				*		1	1.00
46		SD0600361SP		HINGE SCREW D=6 H=3.6						1	

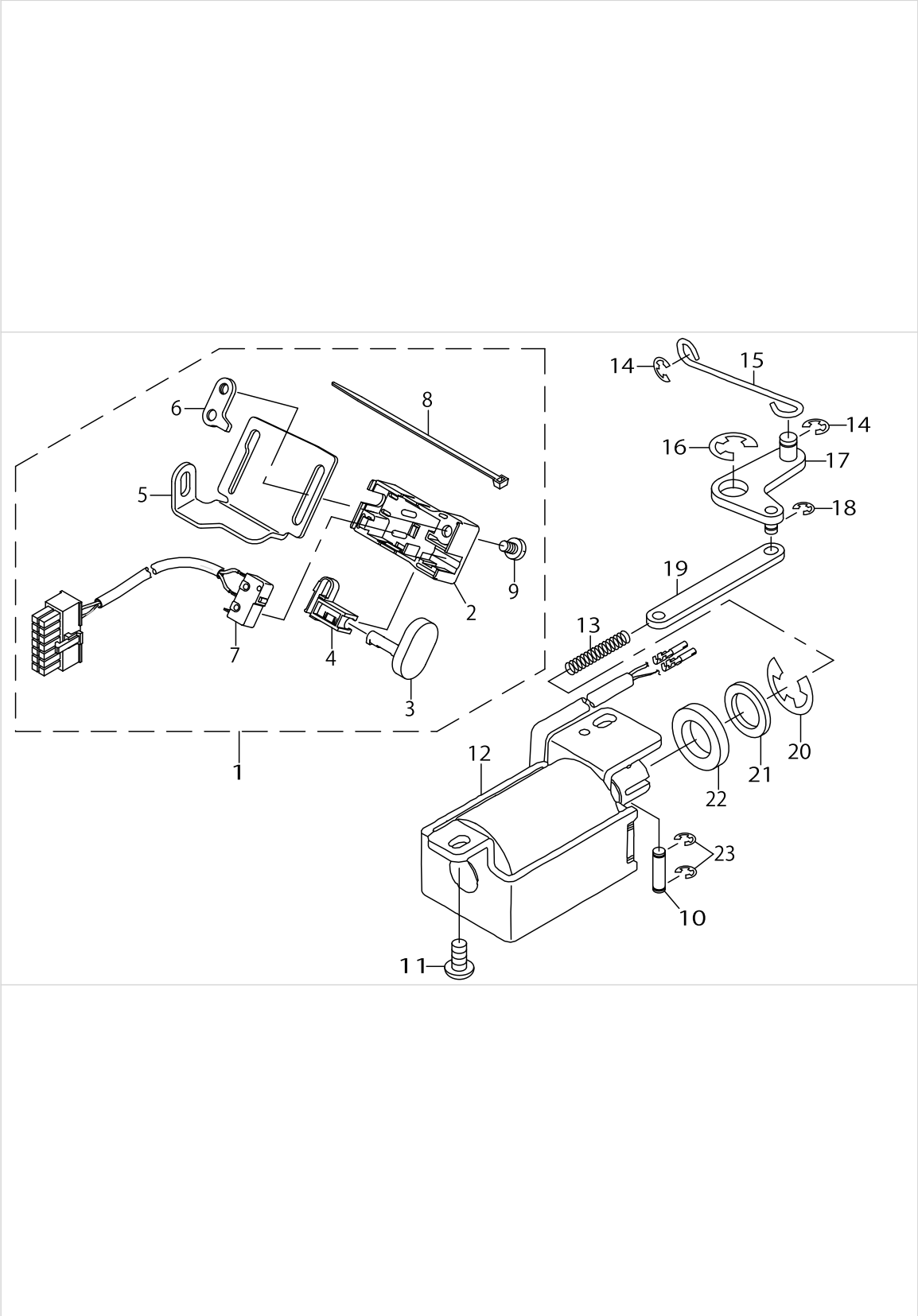
THREAD TRIMMER COMPONENTS



THREAD TRIMMER COMPONENTS

No.	Supply Code	Parts No.	Replacement	Parts name	Remarks	Choice	Step	Level	Cons	Qty	Rep. QTY
47		SS4150915SP		SCREW 15/64-28 L=9							2
48		SD0640631TP		HINGE SCREW D=6.35 H=6.3							1
49		40111031		THREAD TRIMMER SOLENOID ASM.							1
50		22951404		SOLENOID BASE				*			1
51		WS0410002KR		SPRING WASHER, M4				*			2
52		NM6040001SE		NUT M4				*			2
53		40110995		THREAD TRIMMER SOLENOID				*			1
54		SS6110710TP		SCREW 11/64-40 L= 6.5							1
55		22949903		CLUTCH LINK							1
56		RE0500000K0		E-RING							1
57		SS4151215SP		SCREW 15/64-28 L=12							2
58		22924807		PIPE HOLDER, LOWER	FOR DDL-8700AS-7						1
59		22951552		GROUND WIRE ASM.							1
60		22951008		SOLENOID PIN							1

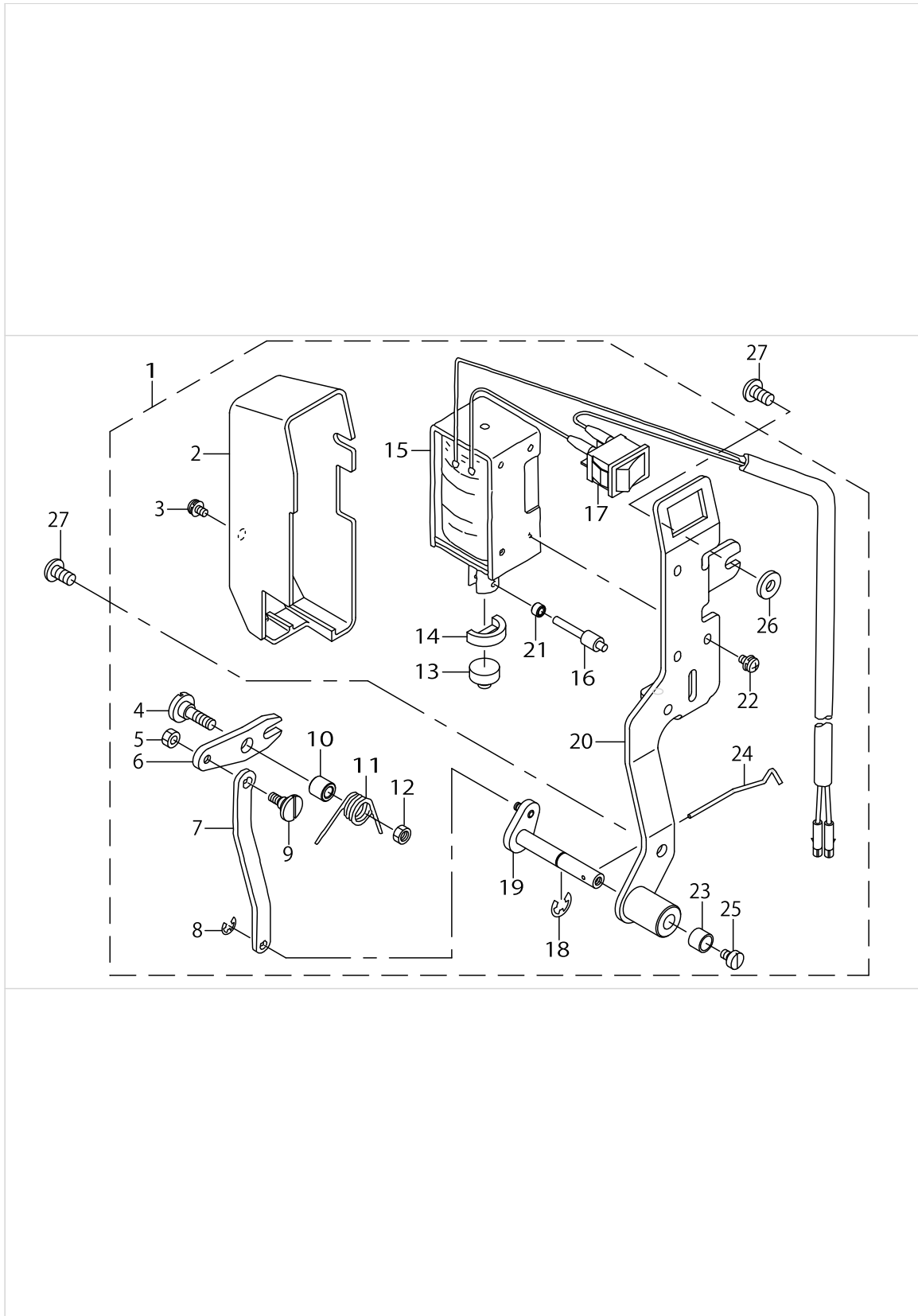
AUTOMATIC REVERSE FEED COMPONENTS



AUTOMATIC REVERSE FEED COMPONENTS

No.	Supply Code	Parts No.	Replacement	Parts name	Remarks	Choice	Step	Level	Cons	Qty	Rep. QTY
1		40110992		REVERSE FEED SWITCH ASM.						1	
2		23631708		REVERSE FEED SWITCH COVER				*		1	
3		23631807		REVERSE FEED SWITCH SHAFT				*		1	
4		23631906		REVERSE FEED SWITCH SUPPORT				*		1	
5	R	23632003	23631757	REVERSE FEED SWITCH BASE				*		1	1.00
6		23632102		REVERSE FEED SWITCH BASE GUIDE				*		1	
7	R	40111741	40110992	REVERSE_FEED_CORD_ASM.				*		1	1.00
8		EA9500B0100		CABLE BAND				*		1	
9		SS7110740TP		SCREW 11/64-40 L=7				*		1	
10		22953509		PLUNGER ARM PIN						1	
11		SS4151215SP		SCREW15/64-28L=12						2	
12		40110996		REVERSE_FEED_SOLENOID						1	
13		22954002		PLUNGER SPRING						1	
14		RE0500000KP		E-RING 5						2	
15	R	22953806	11101300	REVERSE FEED CONNECTING SHAFT						1	1.00
16		RE0900000K0		E-RING 9						1	
17		22953657		CONNECTING ARM ASM.						1	
18		RE0400000KP		E-RING 4						1	
19		22953905		REVERSE FEED CONNECTING LINK						1	
20		RE1200000K0		E-RING 12						1	
21		WP1602616SZ		WASHER 16X24X2.6						1	
22		22953400		RUBBER PLUNGER						1	
23		RE0400000K0		E-RING 4						2	

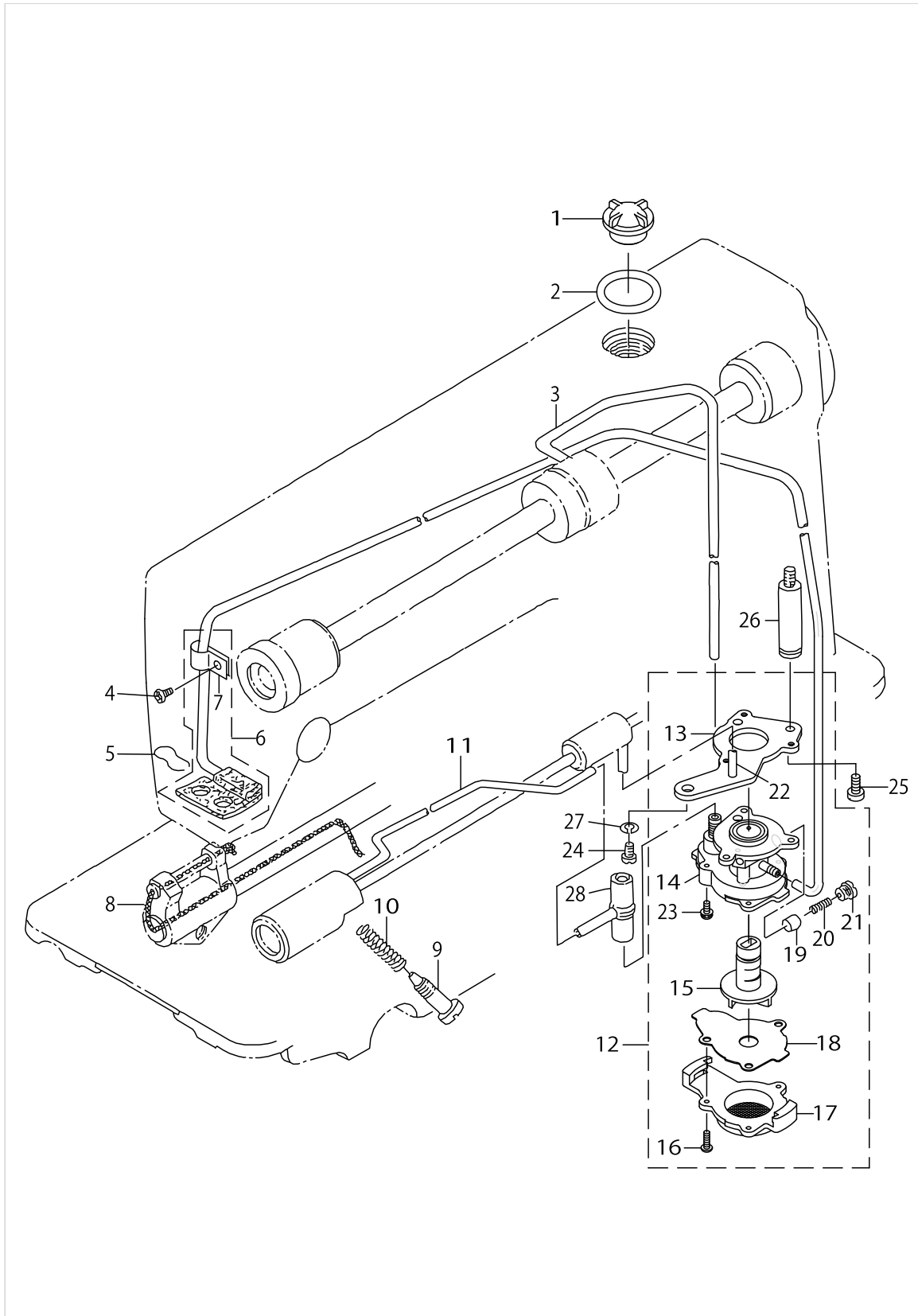
WIPER COMPONENTS



WIPER COMPONENTS

No.	Supply Code	Parts No.	Replacement	Parts name	Remarks	Choice	Step	Level	Cons	Qty	Rep. QTY
1		40110998		WIPER ASM.						1	
2		22955504		WIPER COVER				*		1	
3		SL4030631SC		SCREW M3X6				*		1	
4		SD0650321TP		HINGE SCREW D=6.5 H=3.2				*		1	
5		NS6090310SP		NUT 9/64-40				*		1	
6		22956106		WIPER LINK A				*		1	
7		22956403		WIPER LINK B				*		1	
8		RE0250000K0		E-RING 2.5				*		1	
9		22956908		WIPER LINK B, HINGE SCREW				*		1	
10		22956205		WIPER HINGE SCREW COLLAR				*		1	
11		22956304		WIPER SPRING				*		1	
12		NS6110310SP		NUT 11/64-40				*		1	
13		22955900		WIPER RUBBER A				*		1	
14		22956007		WIPER RUBBER B				*		1	
15		40110999		WIPER SOLENOID				*		1	
16		22957104		WIPER SOLENOID SHAFT				*		1	
17		HA00600000A		SWITCH				*		1	
18		RE0500000K0		E-RING				*		1	
19		40041419		WIPER LINK C ASM.				*		1	
20		11110152		WIPER BASE ASM.				*		1	
21		22957203		WIPER LINK COLLAR				*		1	
22		SL4030641SE		SCREW				*		3	
23		22956809		WIPER COLLAR				*		1	
24		22957005		WIPER				*		1	
25		SS6090540SP		SCREW 9/64-40 L=5.0				*		1	
26		WP0482086SD		WASHER 4.8X11.5X2				*		1	
27		SS4120915SP		SCREW 3/16-28 L=9						2	

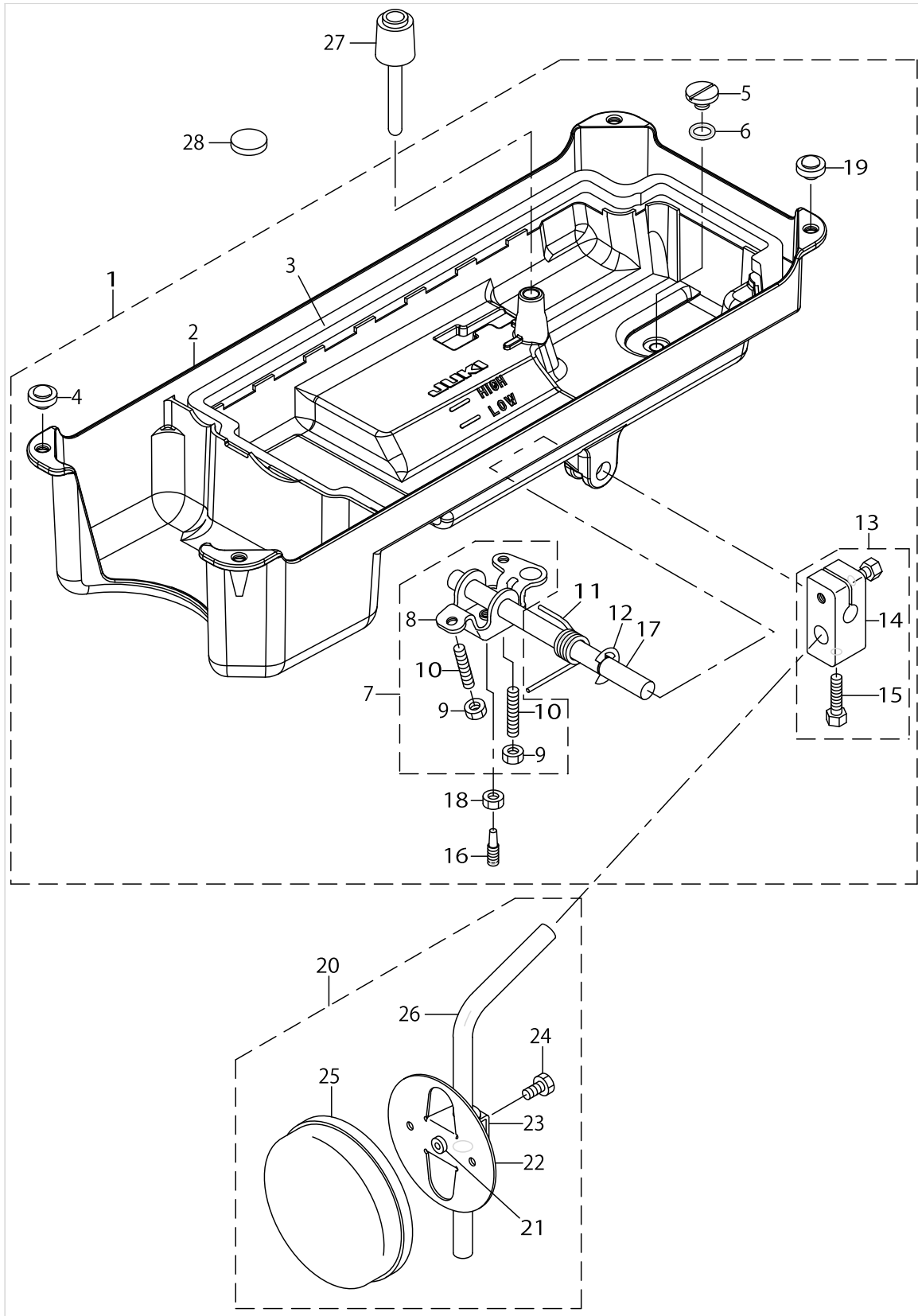
OIL LUBRICATION COMPONENTS



OIL LUBRICATION COMPONENTS

No.	Supply Code	Parts No.	Replacement	Parts name	Remarks	Choice	Step	Level	Cons	Qty	Rep. QTY
1		22924708		OIL SIGHT WINDOW						1	
2		RO195240100		RUBBER RING						1	
3		22924401		MAINSHAFTOILTUBE						1	
4		SS4120615SP		SCREW 3/16-28 L=6						1	
5		22925101		OIL FELT PRESSER						1	
6		22924153		OIL RETURN TUBE ASM.						1	
7		22924302		HOLDER				*		1	
8		CQ252000000		OIL WICK						.3	
9		22925002		OIL ADJUSTING SCREW						1	
10		22924906		SPRING						1	
11		22924500		OIL TUBE						1	
12		22923056		LUBRICATING OIL PUMP ASM.						1	
13	R	22923312	11392057	OIL PUMP INSTALLING BASE		A	DDL5430	*		1	1.00
13	R	22923312	11404555	OIL PUMP INSTALLING BASE		B	DDL5600/- 8100e, DU1181	*		1	1.00
13	R	22923312	22923056	OIL PUMP INSTALLING BASE		C	DDL8700/- 8300/8500- /900A, DM- N5420/5400	*		1	1.00
14	R	22923015	22923056	OIL PUMP				*		1	1.00
15		22923700		OIL PUMP IMPELLER				*		1	
16		SE4301041SR		SCREW D=3 L=10				*		1	
17		22923205		LUBRICATING OIL PUMP COVER				*		1	
18		22923809		OIL PUMP IMPELLER COVER				*		1	
19		22923403		PLUNGER				*		1	
20		22923601		PLUNGER SPRING				*		1	
21		22923502		PLUNGER SCREW				*		1	
22		22923908		HOOK DRIVING SHAFT OIL TUBE				*		1	
23		SL4030851SF		SCREW M3 L=8				*		3	
24		SS4150915SP		SCREW 15/64-28 L=9						1	
25		SS6111010TP		SCREW 11/64-40 L= 9.5						1	
26		22947105		OIL PUMP SUPPORT	FOR DDL-8700AS-7					1	
27		WS0651310KP		SPRING WASHER 6.5X11X1.3	FOR DDL-8700AS-7					1	
28		22924609		RUBBER JOINT						1	

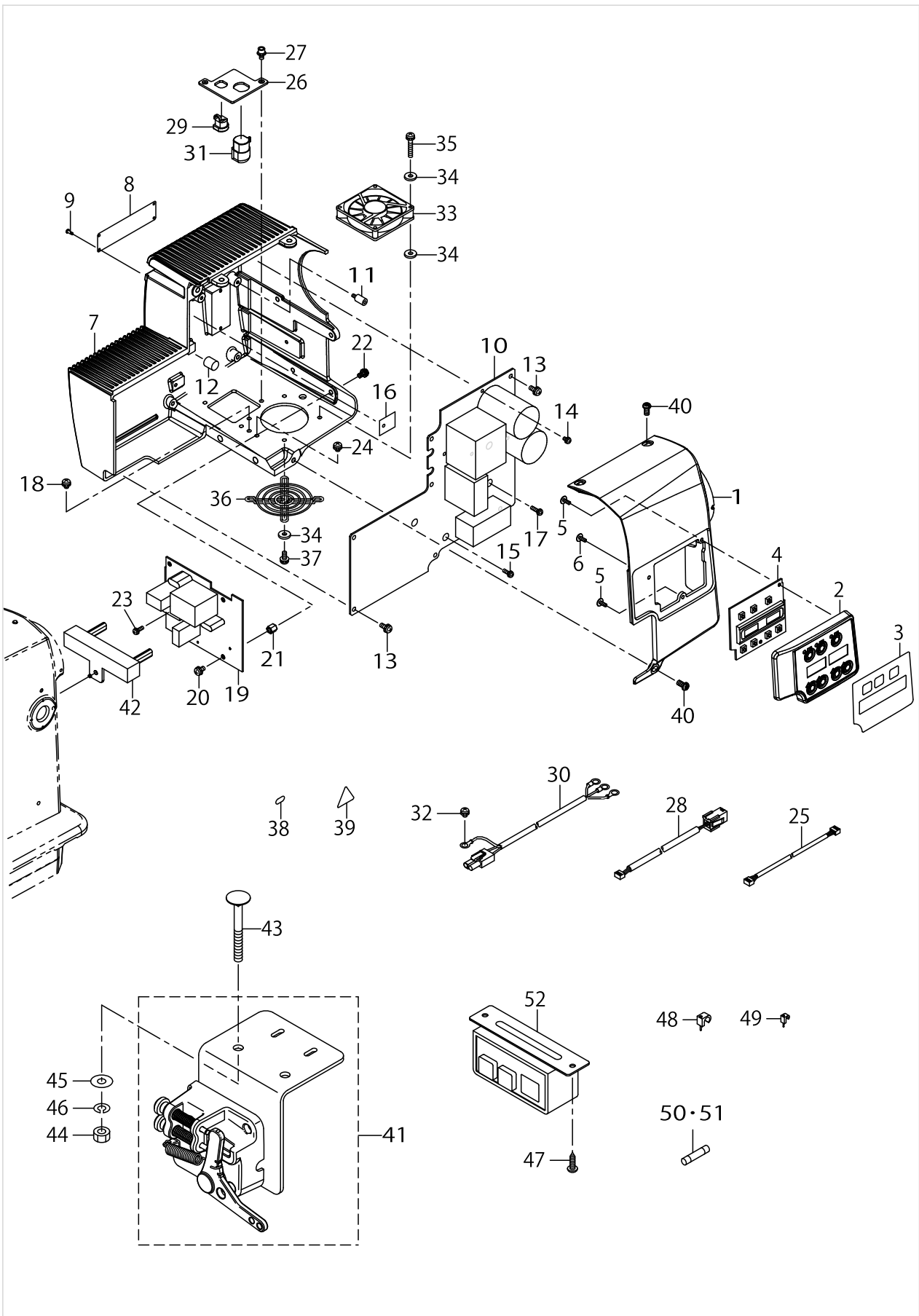
OIL RESERVOIR COMPONENTS



OIL RESERVOIR COMPONENTS

No.	Supply Code	Parts No.	Replacement	Parts name	Remarks	Choice	Step	Level	Cons	Qty	Rep. QTY
1		40111876		OIL_RESERVER_ASM						1	
2		40105821		OIL RESERVOIR				*		1	
3	R	22931901	11024700	OIL RESERVOIR GASKET				*		1	1.00
4	R	22932008	11047107	RUBBER CUSHION				*		2	1.00
5		SS6700710SH		SCREW 5/16-24 L=7				*		1	
6		RO098240100		RUBBER RING				*		1	
7		22932156		KNEE LIFTER ROTATION ARM ASM.				*		1	
8	R	22932107	22932156	KNEE LIFTING ROTATING ARM				*		1	1.00
9		NM6060001SE		NUT M6				*		2	
10		SM8063012TR		SCREW M6 L=30				*		2	
11		22932206		SPRING				*		1	
12		RE1000000K0		E-RING 10				*		1	
13		22932453		BRACKET ASM.				*		1	
14	R	22932404	22932453	BRACKET				*		1	1.00
15		22934707		SCREW				*		2	
16		40101720		SCREW_M6				*		1	
17		40101541		KNEE_PRESS_CROSS_SHAFT				*		1	
18		NM6060001SE		NUT M6				*		1	
19		B1116210D00		FRAME SUPPORT RUBBER				*		2	
20		22934251		KNEE PAD PLATE ASM.						1	
21		22934400		KNEE PAD PLATE RUBBER				*		1	
22		22934202		KNEE PAD PLATE				*		1	
23		22934301		KNEE PAD PLATE SUPPORT				*		1	
24		SM9061203SE		SCREW M6 L=12				*		1	
25		22934509		KNEE PAD PLATE COVER				*		1	
26		22934608		KNEE PAD UPRIGHT SHAFT				*		1	
27		22931703		KNEE LIFTER PUSH ROD						1	
28		B8228125000		OIL RESERVOIR MAGNET						1	

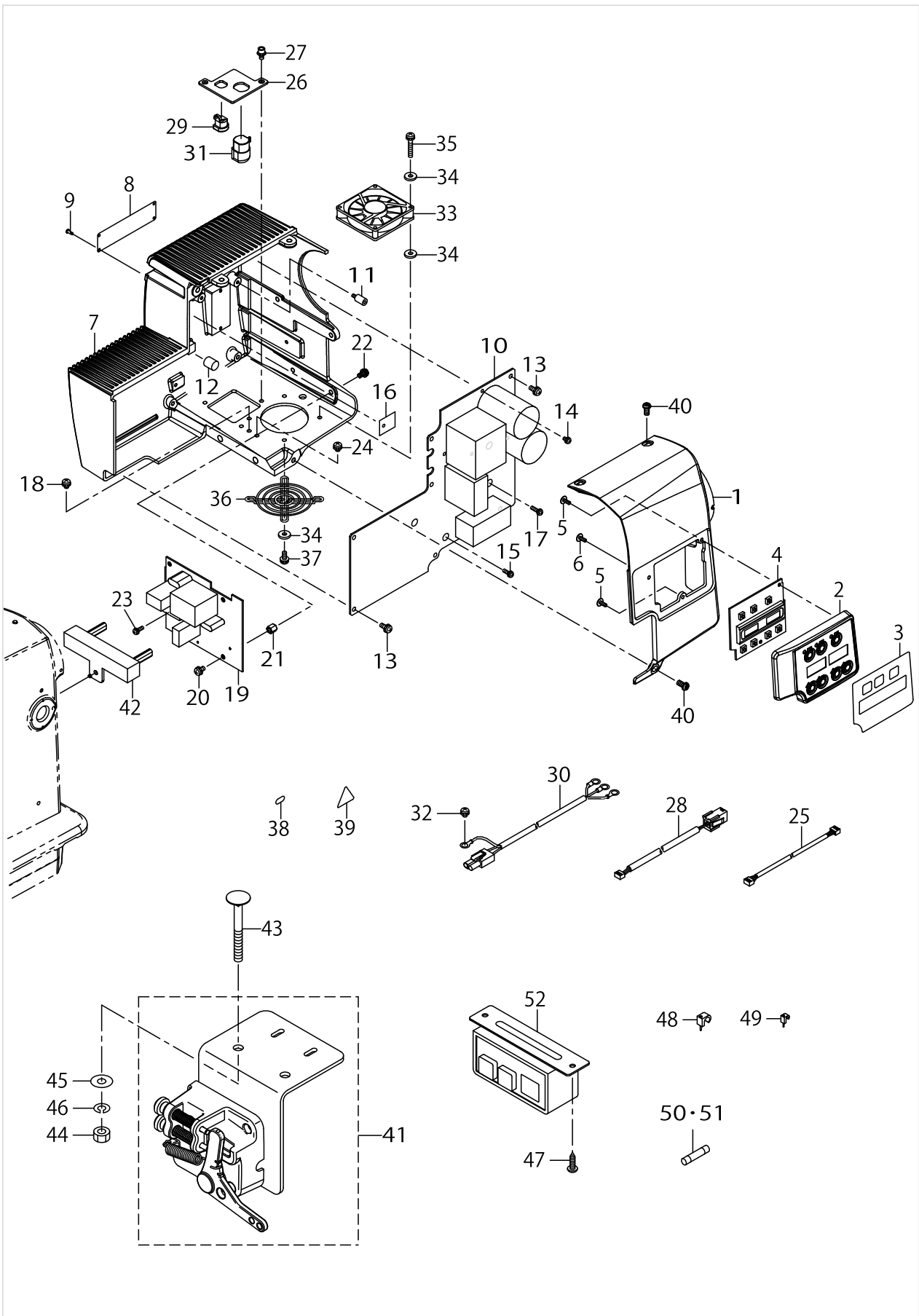
PSC UNIT



PSC UNIT

No.	Supply Code	Parts No.	Replacement	Parts name	Remarks	Choice	Step	Level	Cons	Qty	Rep. QTY
1		40110643		FRONT_COVER						1	
2	D	40110645		PANEL_COVER						1	
3		40108918		PANEL SHEET						1	
4		40108174		PANEL PCB ASSY						1	
5	D	SV4030802SN		TAPPING SCREW W- ITH FLANGE M3X8						2	
6		SV4030601SN		SCREW M3 L=6						1	
7		40110644		REAR_COVER						1	
8		40111196		VENT_PLATE						1	
9		40111205		RIVET						4	
10		40108771		MAIN PCB ASSY						1	
11		HX006060000		SPACER						4	
12		40088316		RUBBER_CUSHION						1	
13		SL4041081SC		SCREW M4 L=10						7	
14		SL4030681SC		SCREW M3 L=6						4	
15		SL4031081SC		SCREW M3 X 10						4	
16		HX001970000		INSULATE PLATE						1	
17		SL4031281SC		SCREW M3 L=12						2	
18		SL4040681SC		SCREW M4 L=6						1	
19		40108761		FLT-S PCB ASSY						1	
20		SL4040681SC		SCREW M4 L=6						4	
21		40088311		STUD						4	
22		40111217		SCREW						4	
23		SL4031081SC		SCREW M3 X 10						1	
24		SL4040681SC		SCREW M4 L=6						1	
25		40110792		RELAY CORD ASSY						1	
26		40110989		HOUSING_PLATE						1	
27		SL6040692TN		SCREW M4 L=6						2	
28		40110796		PEDAL CORD ASSY						1	
29		HX006820000		CORD BUSHING						1	
30		40111652		ACINPUTCORDASSY						1	
31		HX006830000		CORD BUSHING						1	
32		SL4040681SC		SCREW M4 L=6						1	
33		40111214		FAN MOTOR ASSY						1	
34		B1144771000		FRAME SIDE COVER GASKET (C)						6	
35		SL4042581SC		SCREW						2	
36		HM002150010		FAN MOTOR						1	
37		SL4040881SC		SCREW M4 L=8						2	
38		CM200100001		PE MARK LABEL						1	
39		CM300100003		VOLTAGE WARNING LABEL(25)						1	
40		SS4120915SP		SCREW 3/16-28 L=9						3	
41		40111212		PEDAL SENSOR BASE ASSY						1	
42		40110797		RESISTANCE_ASSY						1	
43		40093426		MOTOR FITTING BOLT L=75						2	
44		NM6080002SC		NUT M8						2	
45		WP0851846SC		WASHER 8.5X22.0X1.8						2	
46		WS0820002KR		SPRING WASHER, M8						2	

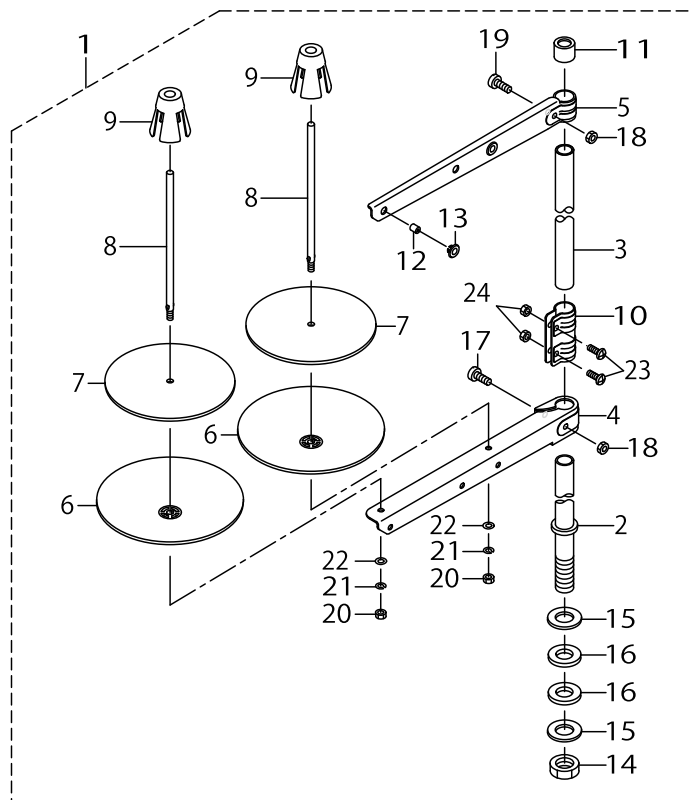
PSC UNIT



PSC UNIT

No.	Supply Code	Parts No.	Replacement	Parts name	Remarks	Choice	Step	Level	Cons	Qty	Rep. QTY
47		40093427		WOOD_SCREW D=5.1 L=18						2	
48		40111758		STAPLE						3	
49		40111759		STAPLE						2	
50		KF000000080		SLO-BLO FUSE						1	
51		KF000000030		SLO-BLO FUSE						1	
52		40111651		POWER SWITCH ASM.						1	

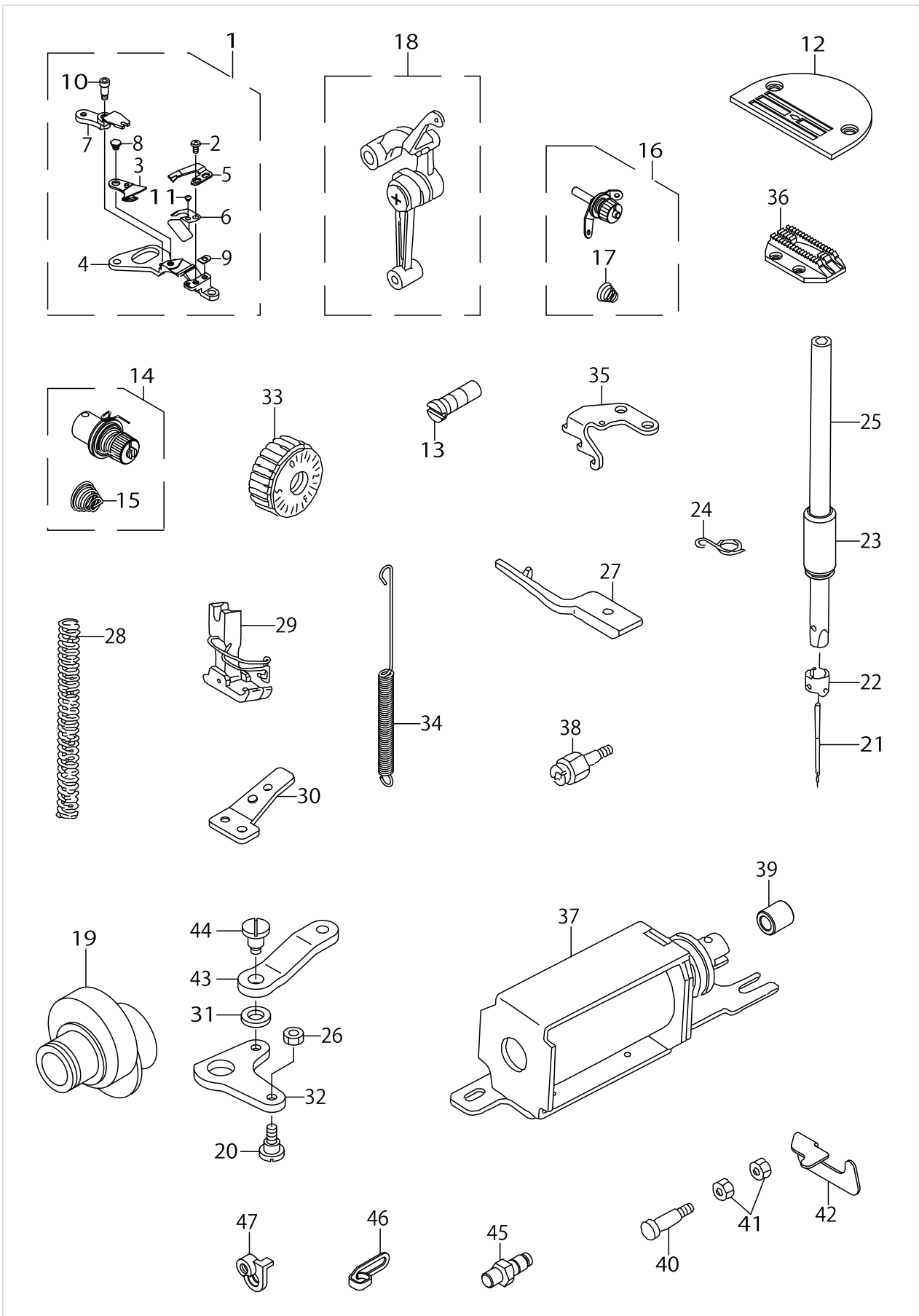
THREAD STAND COMPONENTS



THREAD STAND COMPONENTS

No.	Supply Code	Parts No.	Replacement	Parts name	Remarks	Choice	Step	Level	Cons	Qty	Rep. QTY
1		40096354		THREAD STAND ASM.						1	
2		40085784		SPOOL REST ROD LOWER				*		1	
3		40085785		SPOOL REST ROD UPPER				*		1	
4		40085786		SPOOL REST ARM LOWER				*		1	
5		40085787		SPOOL REST ARM UPPER				*		1	
6		40085788		SPOOL REST				*		2	
7		40085789		SPOOL REST CUSHION				*		2	
8		40085790		SPOOL PIN				*		2	
9		40085791		SPOOL RETAINER				*		2	
10		40085792		SPOOL REST ROD JOINT				*		1	
11		40085793		SPOOL REST ROD RUBBER CAP				*		1	
12		40085794		THREAD GUIDE				*		2	
13		40085795		THREAD GUIDE BUSHING				*		2	
14		40096325		SPOOL REST ROD NUT				*		1	
15		WP1612616SE		WASHER 16X30X2.6				*		2	
16		40085796		SPOOL REST ROD RUBBER CUSHION				*		2	
17		40096326		SPOOL REST ARM LOWER SCREW				*		1	
18		NM6050001SE		NUT M5				*		2	
19	R	40096327	SM4053001SE	SPOOL REST ARM UPPER SCREW				*		1	1.00
20		NM6050001SE		NUT M5				*		2	
21		WS0510002KN		SPRING WASHER M5				*		2	
22		WP0531001SC		WASHER M5				*		2	
23		SM4051405SE		SCREW M5 L=14				*		2	
24		NM6050001SE		NUT M5				*		2	

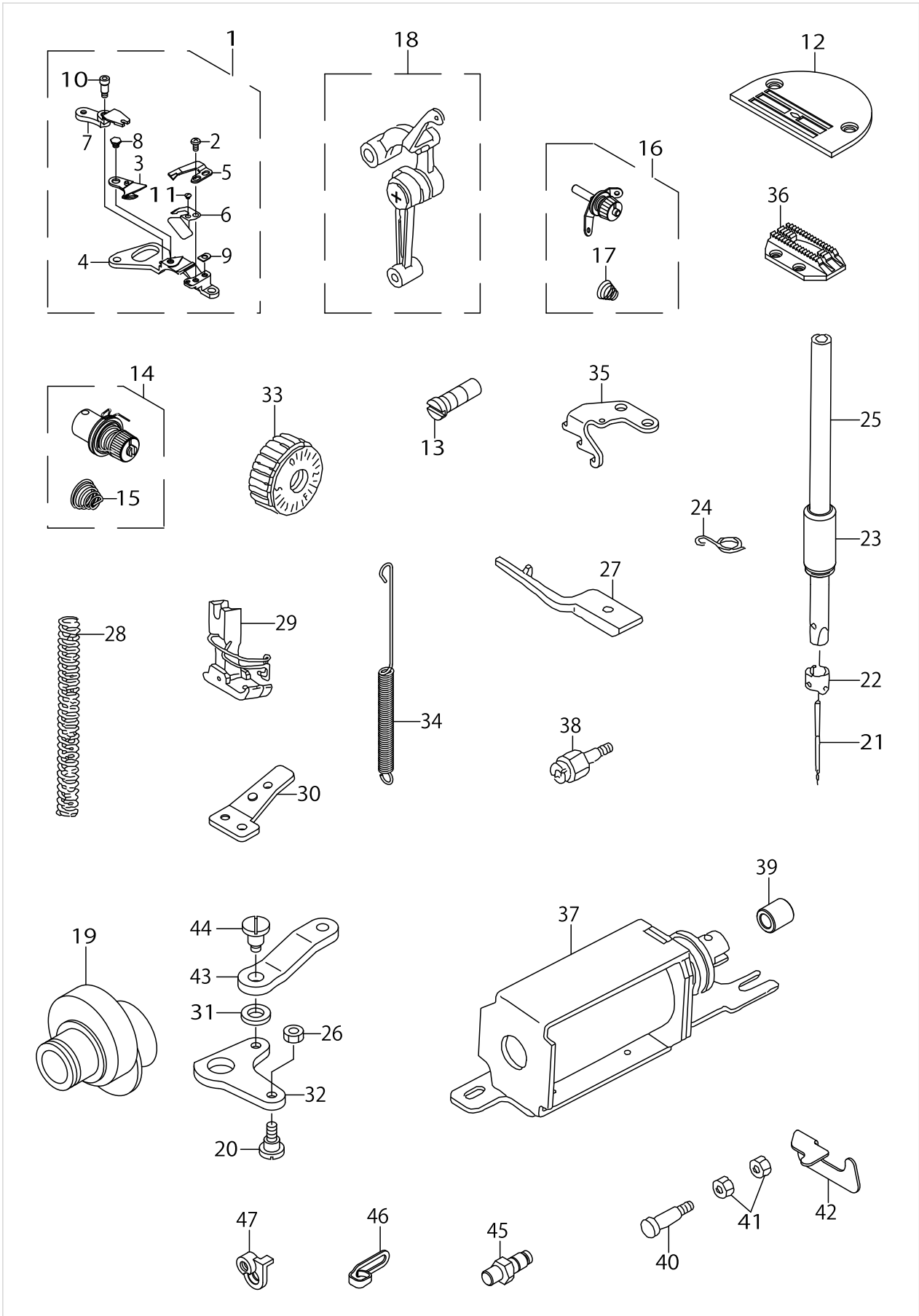
EXCLUSIVE PARTS FOR DDL-8700AH-7



EXCLUSIVE PARTS FOR DDL-8700AH-7

No.	Supply Code	Parts No.	Replacement	Parts name	Remarks	Choice	Step	Level	Cons	Qty	Rep. QTY
1		11095551		KNIFE UNIT						1	
2		SS4080620TP		SCREW 1/8-44 L=6				*		2	
3		11409257		MOVING KNIFE J ASM.				*		1	
4		11095502		KNIFE MOUNT BASE				*		1	
5		40089755		FIX KNIFE				*		1	
6		23645401		THREAD GUIDE FOR KNIFE H				*		1	
7		11095601		KNIFE BRANCH				*		1	
8		SD0500131TP		HINGE SCREW D=5 H=1.25				*		1	
9		D2404555B00		COUNTER KNIFE SPACER				*		1	
10		SD0460703TP		HINGE SCREW D=4.6 H=7				*		1	
11		SS2060210SP		SCREW 3/32-56 L=2.3				*		1	
12		11400801		THROAT PLATE J						1	
13		B1213552000A		OIL ADJUSTING PIN						1	
14		22962054		THREAD TENSION ASM.						1	
15	R	22962005	B3114232000	THREAD TENSION SPRING				*		1	1.00
16		22963458		THREAD TENSION ASM.¥n						1	
17	R	22963409	22963458	THREAD TENSION SPRING				*		1	1.00
18		40103560		LINK THREAD TAKE-UP LEVER ASM.						1	
19		22962351		FEED DRIVE ECCENTRIC CAM ASM.						1	
20		SD0700451TP		HINGE SCREW D=7 H=4.5						1	
21		MDB100B2100		NEEDLE DBX1 #21						1	
22		B1418415H00		NEEDLE BAR THREAD GUIDE						1	
23		22970313		NEEDLE BAR BUSHING, LOWER						1	
24		40023223		NEEDLE BAR THREAD GUIDE						1	
25		22970206		NEEDLE BAR						1	
26		NS6110420SP		NUT 11/64-40						1	
27	R	11093804	22962401	POSITIONING FINGER H						1	1.00
28		B1505552000A		PRESSER SPRING						1	
29	R	D1524555EBL	D1524555ECL	PRESSER FOOT ASM.						1	1.00
30		22962807		WIRE PRESSER PLATE(LOWER),B						1	
31		WP0722316SH		WASHER						1	
32		11101508		REVERSE FEED LINK						1	
33		40101726		FEED_DIAL						1	
34		40080725		ADJUSTING LINK SPRING						1	
35		22970602		FEED SPRING HOOK						1	
36		11403003		FEED J						1	
37		40111032		SOLENOID MOUNTING BASE ASM.						1	
38		11231503		OIL PUMP SUPPORT						1	
39		22962609		REVERSE FEED BASE COLLAR¥n						1	
40		22962906		PLUNGER ARM PIN						1	
41		NS6110420SP		NUT 11/64-40						2	
42		22962708		REVERSE FEED CORD PRESSER¥n						1	
43		22962500		CONNECTING LINK¥n						1	
44		SD0700711TP		HINGE SCREW D=7 H=7.1						1	
45		22971204		FEED REGULATOR BASE PIN						1	

EXCLUSIVE PARTS FOR DDL-8700AH-7



EXCLUSIVE PARTS FOR DDL-8700AH-7

No.	Supply Code	Parts No.	Replacement	Parts name	Remarks	Choice	Step	Level	Cons	Qty	Rep. QTY
46		11091006		ARM THREAD GUIDE (HA)						1	
47		40111000		LEVER_STOPPER_H						1	

HOW TO MAKE USE OF THIS PARTS LIST

1.As to "#01" and "#02" refer to the "Note" given at the bottom of the respective pages.

2.Codes on the "Qty" column

- Each numeral indicates the number of parts required.
- "0.1" and "2.5" indicate the length (in meters) of the respective parts.

3.Parentheses mean that the corresponding part is a subpart that constructs an assembly part.

4.Dotted lines on the Figures indicate assembly parts.

1. リストページの# 0 1、# 0 2の印は、ページ下の"注記"の説明を参照下さい。
2. 数量欄の数字は、個数を表し、0. 1、2. 5等の数値は、長さ（単位メートル）を表します。
3. 数量欄の（ ）は、組部品を構成している子部品であることを意味します。
4. イラストページの-----枠は、組構成であることを意味します。

NUMERICAL INDEX OF PARTS

PART NO	PAGE	REF NO.	PART NO	PAGE	REF NO.	PART NO	PAGE	REF NO.
11002904	8	3	22906200	10	8	22915359	18	58
11005204	8	7	22906309	10	10	22916001	10	31
11009800	16	23	22906457	10	4	22916100	10	35
11010311	16	17	22907208	12	34	22916308	10	27
11015906	10	37	22907307	12	36	22916506	10	38
11037405	16	22	22907406	12	33	22916555	10	36
11038650	10	34	22907505	12	32	22917157	10	29
11038759	10	24	22907554	12	30	22919203	8	29
11039062	8	5	22907604	12	31	22919559	8	2
11039070	8	4	22907703	14	45	22920102	12	29
11040052	20	5	22907802	12	1	22920201	12	23
11040409	20	4	22908008	12	42	22920300	12	26
11040854	20	45	22908008	14	42	22920409	12	24
11040953	20	44	22908156	12	40	22920508	2	30
11091006	40	46	22908305	14	44	22920607	4	47
11093804	38	27	22908354	12	39	22920805	10	7-40
11095502	38	4	22908552	12	4	22920904	2	43
11095551	38	1	22908701	12	7	22921001	2	31
11095601	38	7	22908800	12	14	22921209	2	38
11101508	38	32	22908909	12	11	22921308	2	33
11110152	26	20	22909006	12	13	22921407	2	34
11231503	38	38	22910004	8	18	22921506	2	37
11400801	38	12	22910053	8	16	22921506	6	28
11403003	38	36	22910103	8	42	22921605	2	39
11409257	38	3	22910202	16	12	22921704	2	35
22538706	6	33	22910251	16	11	22921803	2	36
22538805	8	30	22910350	16	43	22923015	28	14
22888002	8	21	22910806	16	28	22923056	28	12
22900401	2	10	22910905	16	24	22923205	28	17
22900609	2	28	22911002	16	40	22923312	28	13
22900757	2	4	22911101	16	13	22923403	28	19
22901003	4	55	22911507	16	2	22923502	28	21
22901201	4	52	22911606	16	4	22923601	28	20
22901250	4	51	22911804	16	7	22923700	28	15
22901300	4	53	22912000	16	9	22923809	28	18
22901805	2	14	22912109	16	8	22923908	28	22
22903207	8	25	22912257	16	19	22924153	28	6
22903306	8	27	22912505	16	20	22924302	28	7
22903900	8	43	22912802	18	65	22924401	28	3
22904155	8	23	22912901	16	39	22924500	28	11
22904155	18	62	22913008	18	51	22924609	28	28
22905004	10	23	22913701	16	38	22924708	28	1
22905103	10	25	22915003	16	15	22924807	22	58
22905202	10	26	22915151	16	45	22924906	28	10
22906101	10	2	22915201	18	48	22925002	28	9

NUMERICAL INDEX OF PARTS

PART NO	PAGE	REF NO.	PART NO	PAGE	REF NO.	PART NO	PAGE	REF NO.
22925101	28	5	22948202	20	3	22962500	38	43
22931703	30	27	22948301	20	35	22962609	38	39
22931901	30	3	22948400	20	37	22962708	38	42
22932008	30	4	22949002	20	43	22962807	38	30
22932107	30	8	22949101	20	40	22962906	38	40
22932156	30	7	22949200	20	41	22963409	38	17
22932206	30	11	22949309	20	38	22963458	38	16
22932404	30	14	22949408	20	29	22970206	38	25
22932453	30	13	22949754	20	24	22970313	38	23
22932909	10	18	22949762	20	23	22970602	38	35
22934202	30	22	22949903	22	55	22971204	38	45
22934251	30	20	22950000	20	26	23631708	24	2
22934301	30	23	22950109	20	31	23631807	24	3
22934400	30	21	22950208	20	14	23631906	24	4
22934509	30	25	22950257	20	13	23632003	24	5
22934608	30	26	22950356	20	15	23632102	24	6
22934707	30	15	22950703	20	25	23645401	38	6
22935407	4	57	22950851	20	19	26260109	6	2
22939508	10	3	22950950	20	21	26260208	6	3
22940506	16	10	22951008	22	60	26260307	6	4
22940654	18	55	22951404	22	50	26260406	6	5
22940753	16	35	22951552	22	59	26260505	6	6
22940951	16	27	22952501	2	18	26260604	6	7
22941108	16	1	22953400	24	22	26260802	6	8
22941306	16	36	22953509	24	10	26261008	6	9
22942502	10	32	22953657	24	17	26261206	6	10
22942601	10	28	22953806	24	15	26261305	6	11
22944508	12	18	22953905	24	19	26261503	6	12
22944607	12	20	22954002	24	13	26261602	6	13
22944706	12	10	22955504	26	2	26261701	6	14
22944854	12	28	22955900	26	13	40011144	6	15
22945109	12	25	22956007	26	14	40012126	2	2
22945307	2	40	22956106	26	6	40012129	2	11
22945356	2	32	22956205	26	10	40012444	10	7-40
22945414	2	22	22956304	26	11	40017805	12	35
22945463	2	21	22956403	26	7	40021933	6	17
22945505	2	25	22956809	26	23	40023223	38	24
22945604	2	23	22956908	26	9	40037008	6	30
22945703	2	26	22957005	26	24	40041419	26	19
22945703	6	25	22957104	26	16	40060989	12	5
22945802	2	24	22957203	26	21	40080725	38	34
22947105	28	26	22958300	2	7	40085784	36	2
22947808	20	7	22962005	38	15	40085785	36	3
22947907	20	6	22962054	38	14	40085786	36	4
22947956	20	1	22962351	38	19	40085787	36	5

NUMERICAL INDEX OF PARTS

PART NO	PAGE	REF NO.	PART NO	PAGE	REF NO.	PART NO	PAGE	REF NO.
40085788	36	6	40110645	32	2	B1418415H00	38	22
40085789	36	7	40110731	6	24	B1505552000A	38	28
40085790	36	8	40110734	6	26	B1521555000	12	2
40085791	36	9	40110792	32	25	B15240120BA	12	9
40085792	36	10	40110796	32	28	B1613012I00	16	33
40085793	36	11	40110797	32	42	B1903552000	8	9
40085794	36	12	40110975	6	16	B1905541B00	8	6
40085795	36	13	40110976	6	1	B8228125000	30	28
40085796	36	16	40110977	8	44	CM200100001	32	38
40087245	20	30	40110978	8	20	CM300100003	32	39
40088311	32	21	40110979	8	40	CM300200001	2	12
40088316	32	12	40110987	2	9	CM301200001	2	13
40089548	16	25	40110989	32	26	CQ252000000	28	8
40089755	38	5	40110992	24	1	D1524555EBL	38	29
40090002	10	14	40110995	22	53	D2404555B00	38	9
40090003	10	16	40110996	24	12	D2406555D0H	20	10
40090004	10	19	40110998	26	1	D7133555B00	6	29
40090005	10	21	40110999	26	15	EA9500B0100	8	28
40090058	10	6	40111000	40	47	EA9500B0100	24	8
40093417	16	26	40111001	8	35	HA00600000A	26	17
40093426	32	43	40111025	8	36	HK034610140	20	11
40093427	34	47	40111031	22	49	HM002150010	32	36
40093432	2	20	40111032	38	37	HX001970000	32	16
40096325	36	14	40111196	32	8	HX006060000	32	11
40096326	36	17	40111203	8	37	HX006820000	32	29
40096327	36	19	40111205	32	9	HX006830000	32	31
40096354	36	1	40111212	32	41	KF000000030	34	50-51
40099083	4	58	40111214	32	33	KF000000080	34	50-51
40100812	18	64	40111217	32	22	MDB100B1400	10	11
40101462	16	31	40111423	8	10	MDB100B2100	38	21
40101541	30	17	40111424	8	32	NM6040001SE	22	52
40101694	10	12	40111651	34	52	NM6050001SE	36	24
40101720	30	16	40111652	32	30	NM6060001SE	30	18
40101726	38	33	40111741	24	7	NM6080002SC	32	44
40102097	2	1	40111758	34	48	NS6090310SP	26	5
40102264	18	60	40111759	34	49	NS6110310SP	26	12
40103560	38	18	40111872	8	34	NS6110420SP	38	41
40105821	30	2	40111876	30	1	NS6120630SP	6	27
40108174	32	4	40111897	18	52	NS6150430SP	20	33
40108761	32	19	B1109552000	4	44	NS6620310SP	12	21
40108771	32	10	B1116210D00	30	19	NS6680410SP	16	42
40108918	32	3	B1144771000	32	34	RC0150001KP	16	54
40110376	8	15	B1213552000A	38	13	RC0150001KP	18	54
40110643	32	1	B1215552000	8	26	RC0560711KP	6	18
40110644	32	7	B1408552000	8	8	RC1850001KP	8	22

NUMERICAL INDEX OF PARTS

PART NO	PAGE	REF NO.	PART NO	PAGE	REF NO.	PART NO	PAGE	REF NO.
RE0250000K0	26	8	SL4042581SC	32	35	SS6090910SP	12	38
RE0400000K0	6	19	SL6040692TN	32	27	SS6110420TP	10	30
RE0400000K0	20	39	SL6051492TN	8	39	SS6110610TP	4	48
RE0400000K0	24	23	SL6052592TN	8	38	SS6110710TP	22	54
RE0400000KP	24	18	SM0050801SC	6	32	SS6111010TP	28	25
RE0500000K0	12	43	SM4051405SE	36	23	SS6121210SP	18	46
RE0500000K0	14	43	SM5040655SN	6	20	SS6121610SP	16	44
RE0500000K0	16	21	SM8040802TP	6	21	SS6121840SP	2	17
RE0500000K0	20	56	SM8050502TP	6	22	SS6121860SP	16	5
RE0500000K0	22	56	SM80608A2TP	8	33	SS6660610TP	20	20
RE0500000K0	26	18	SM8061010TP	18	61	SS6661110SP	8	17
RE0500000KP	24	14	SM8063012TR	30	10	SS6700710SH	30	5
RE0600000K0	20	34	SM9061203SE	30	24	SS7080510TP	10	9
RE0900000K0	24	16	SS2060210SP	20	8	SS7090610SP	20	42
RE1000000K0	30	12	SS2060210SP	38	11	SS7091110TP	12	6
RE1200000K0	24	20	SS2110915SP	4	46	SS7110720SP	4	59
RO029180100	8	41	SS2110920TP	4	45	SS7110740TP	18	53
RO037180100	12	3	SS4080620TP	16	34	SS7110740TP	24	9
RO044240100	8	13	SS4080620TP	20	9	SS7111120SP	18	59
RO078190100	18	66	SS4080620TP	38	2	SS7120770SH	16	6
RO092270200	16	16	SS4090615SP	8	19	SS7121410TP	18	56
RO098240100	30	6	SS4110515SP	12	16	SS7681650TP	8	14
RO195240100	28	2	SS4110515SP	16	37	SS8090670SP	2	41
SD0460703TP	20	2	SS4110715SP	20	28	SS8110410TP	10	13
SD0460703TP	38	10	SS4110915TP	10	33	SS8110520TP	20	22
SD0500131TP	38	8	SS4120615SP	2	29	SS8150710TP	2	42
SD0600361SP	20	46	SS4120615SP	12	27	SS8150710TP	16	29
SD0630275SP	20	18	SS4120615SP	28	4	SS8151150TP	8	1
SD0640631TP	22	48	SS4120915SP	2	50	SS8660610TP	8	31
SD0641451SP	20	17	SS4120915SP	4	50	SS8660610TP	18	63
SD0650321TP	26	4	SS4120915SP	10	39	SS8660810TP	10	22
SD0700451TP	38	20	SS4120915SP	26	27	SS8660810TP	12	37
SD0700711TP	38	44	SS4120915SP	32	40	SS8681650TP	8	11
SD0720331SP	12	12	SS4150915SP	12	17	SV4030601SN	32	6
SD1000801SH	18	47	SS4150915SP	22	47	SV4030802SN	32	5
SE4301041SR	28	16	SS4150915SP	28	24	TA0850604R0	2	5
SL4030631SC	26	3	SS4151215SP	22	57	TA0850604R0	10	1
SL4030641SE	26	22	SS4151215SP	24	11	TA1250406R0	4	49
SL4030681SC	32	14	SS6060210SP	4	54	TA1250705R0	2	6
SL4030851SF	28	23	SS6080410SP	2	3	TA2000502R0	2	16
SL4031081SC	32	23	SS6090510TP	20	16	TA2101002R0	2	19
SL4031281SC	32	17	SS6090540SP	26	25	WP0450826SC	6	23
SL4040681SC	32	32	SS6090620TP	16	41	WP0480856SP	18	57
SL4040881SC	32	37	SS6090670TP	10	5	WP0482086SD	26	26
SL4041081SC	32	13	SS6090670TP	16	3	WP0531001SC	36	22

NUMERICAL INDEX OF PARTS

PART NO	PAGE	REF NO.
WP0621016SH	20	32
WP0722316SH	38	31
WP0851846SC	32	45
WP1602616SZ	24	21
WP1612616SE	36	15
WS0410002KR	22	51
WS0510002KN	36	21
WS0651310KP	28	27
WS0820002KR	32	46
WT0530002KS	4	56