

MODEL : LK-1903AN/BR35

List No : 1587-00

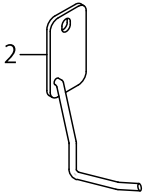
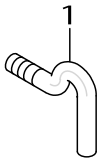
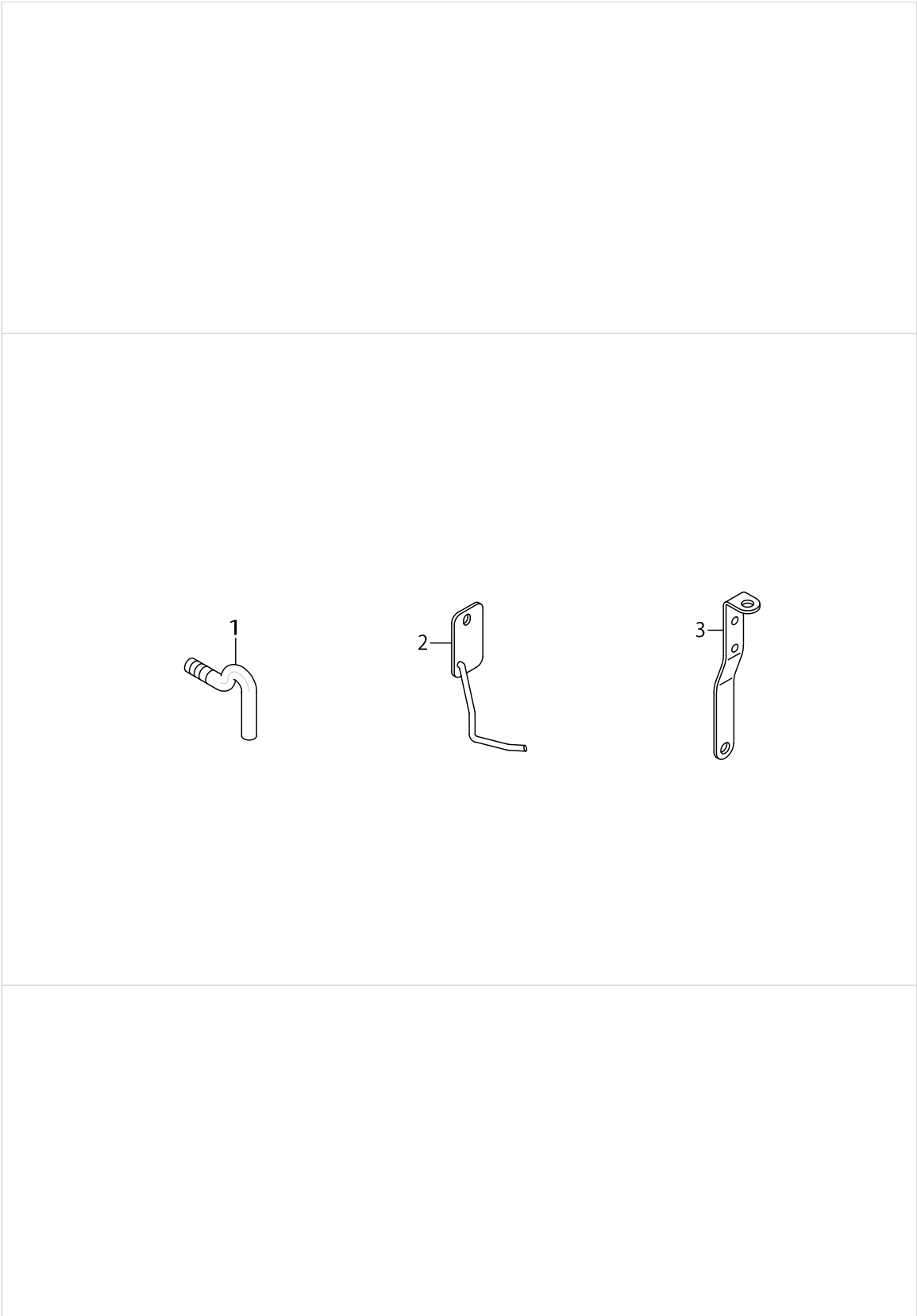
PARTS LIST

Published:05/12/2017

CONTENTS

THREAD TENSION COMPONENTS	1
WIPER MECHANISM COMPONENTS	3
EXCLUSIVE PARTS FOR LK-1903ANS-311,LK-1903ANS-312 (1)	5
EXCLUSIVE PARTS FOR LK-1903ANS-311,LK-1903ANS-312 (2)	7
BUTTON CLAMP COMPONENTS.....	11
FINE POSITION OF BUTTONS COMPONENTS (1).....	15
FINE POSITION OF BUTTONS COMPONENTS (2).....	17
DRIVE CAM COMPONENTS.....	21
INDEX COMPONENTS (1)	23
INDEX COMPONENTS (2)	27
FEEDER BALL COMPONENTS	31
TABLE & COVER COMPONENTS	33
BR CONTROL BOX COMPONENTS (FOR USE IN JAPAN AND GENERAL EXPORT).....	37
BR CONTROL BOX COMPONENTS (FOR EUROPE).....	41
BR POWER SUPPLY COMPONENTS.....	45
CONTROL BOX COMPONENTS	47
OPERATION PANEL COMPONENTS	51
MC-598 WIRING DIAGRAM.....	53
BR35 WIRING DIAGRAM	57
ACCESSORIE PARTS COMPONENTS	59
HOW TO MAKE USE OF THIS PARTS LIST	61

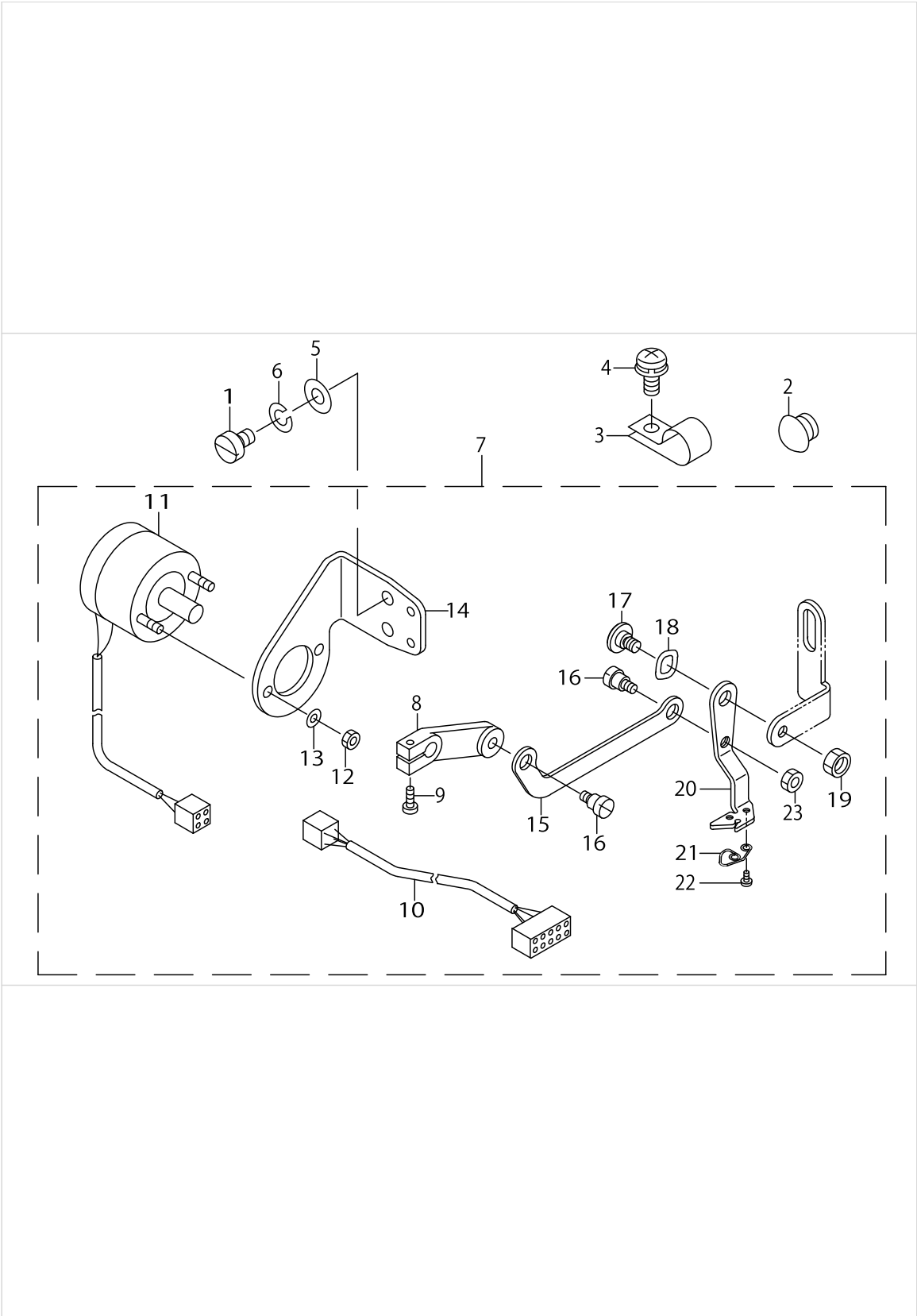
THREAD TENSION COMPONENTS



THREAD TENSION COMPONENTS

No.	Supply Code	Parts No.	Replacement	Parts name	Remarks	Choice	Step	Level	Cons	Qty	Rep. QTY
1		40013452		L SHAPED THREAD GUIDE B						1	
2		B55412050A0		THREADING GUIDE ASM.						1	
3		B1114581000		THREAD GUIDE PLATE						1	

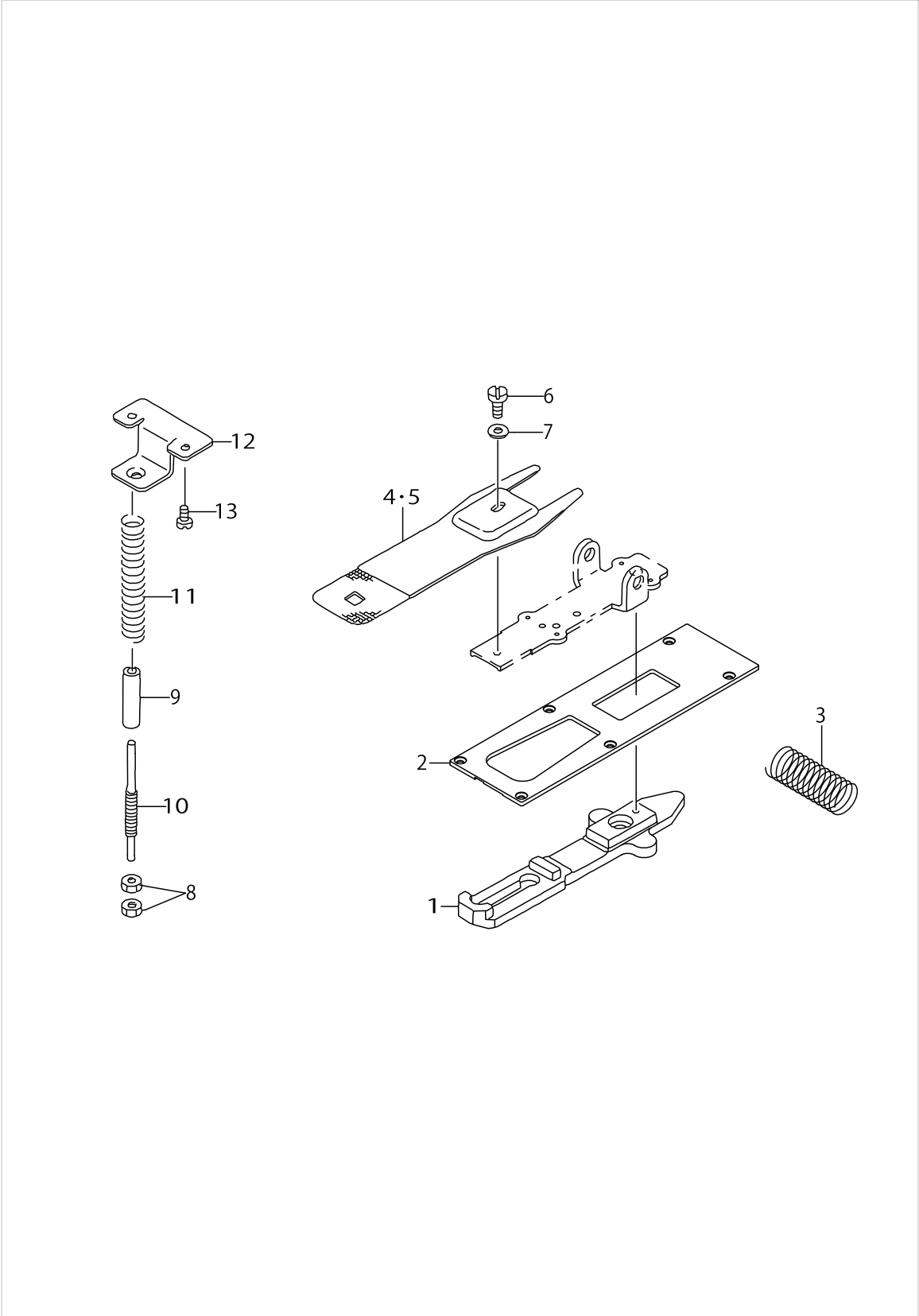
WIPER MECHANISM COMPONENTS



WIPER MECHANISM COMPONENTS

No.	Supply Code	Parts No.	Replacement	Parts name	Remarks	Choice	Step	Level	Cons	Qty	Rep. QTY
1		SM6040650TP		SCREW						2	
2		TA1250705R0		RUBBER PLUG						1	
3		HX00123000C		CABLE CLIP						4	
4		SL4041091SC		SCREW M4 L=10						4	
5		WP0450801SD		WASHER 4.5X10X0.8						2	
6		WS0451040KP		SPRING WASHER 4.5X8.5X1						2	
7		40018334		MAGNET WIPER ASM.						1	
8		B210220500A		WIPER ARM				*		1	
9		SS7111120TP		SCREW				*		1	
10		40018335		SOLENOID RELAY CABLE ASM.				*		1	
11		14147755		SOLENOID FOR WIPER ASM.				*		1	
12		NM6040003SC		NUT M4				*		2	
13	R	WS0410002KS	WS0410002KN	SPRING WASHER M4				*		2	1.00
14		13864509		SOLENOID FITTING PLATE				*		1	
15		14147607		WIPER LINK				*		1	
16		SD0600181TP		HINGE SCREW				*		2	
17		SD0640261SP		HINGE SCREW D=6.35 H=2.6				*		1	
18		WZ0640200KP		WAVE WASHER				*		1	
19		NS6120310SP		NUT 3/16-28				*		1	
20		40009859		WIPER				*		1	
21		14147805		SPRING				*		1	
22		SS7060310SP		SCREW 3/32-56 L=3				*		2	
23		NS6110310SP		NUT 11/64-40				*		1	

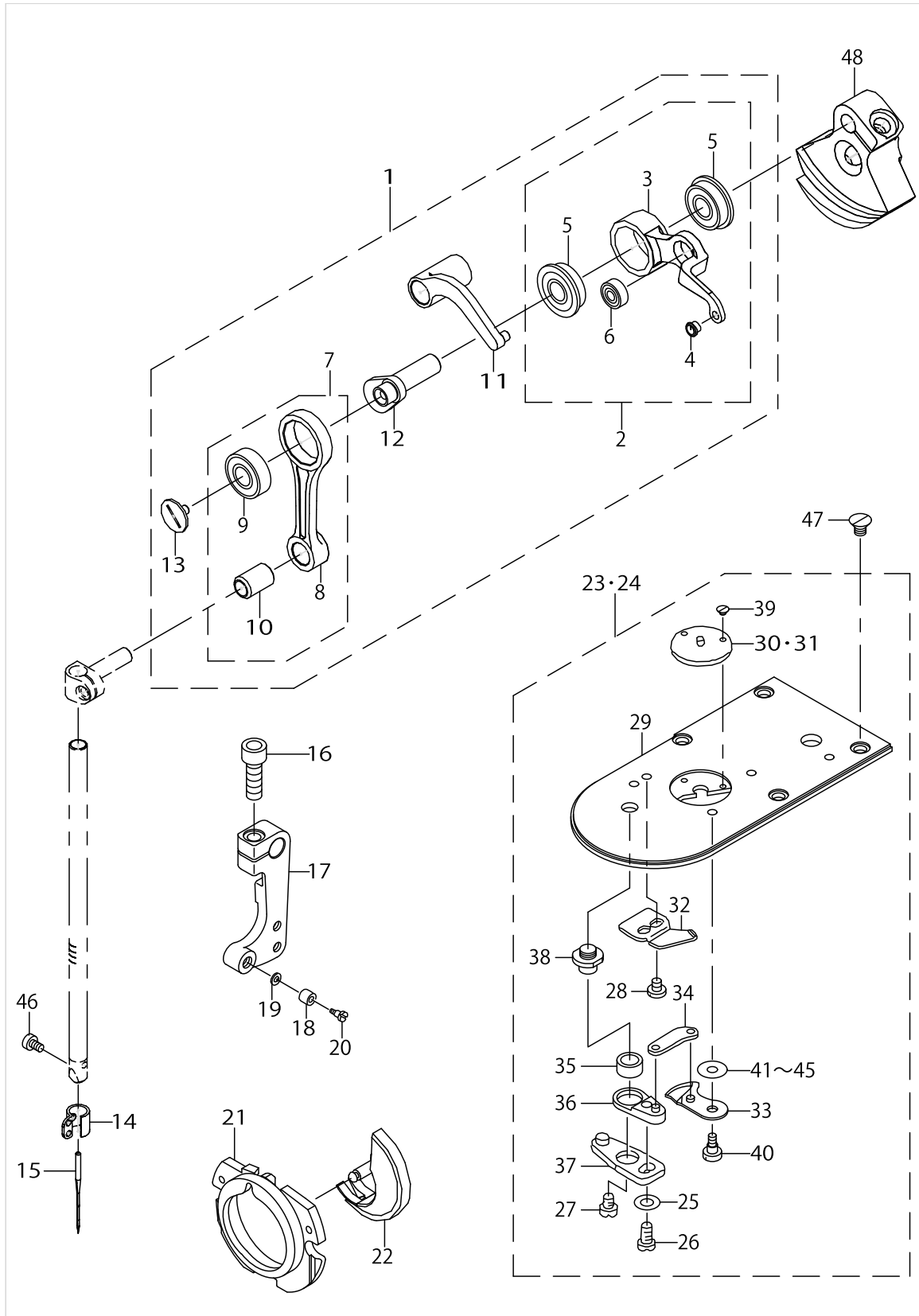
EXCLUSIVE PARTS FOR LK-1903ANS-311,LK-1903ANS-312 (1)



EXCLUSIVE PARTS FOR LK-1903ANS-311,LK-1903ANS-312 (1)

No.	Supply Code	Parts No.	Replacement	Parts name	Remarks	Choice	Step	Level	Cons	Qty	Rep. QTY
1		14145106		CLOTH FEED PLATE						1	
2		40006935		CLOTH FEED PRESSER PLATE B						1	
3		14148407		VERTICAL FEED SHAFT SPRING						1	
4		MAZ15502000		PRESSURE PLATE	FOR LK-19-03ANS-311					1	
5		MAZ15602000		PRESSURE PLATE	FOR LK-19-03ANS-312					1	
6		SS9110543CP		SCREW 11/64-40 L=5.3						1	
7		WP0501016SD		WASHER 5X10.5X1						1	
8	R	B3125012000	22928808	THREAD TENSION NUT						2	1.00
9		D2527232D00		SLEEVE						1	
10		14146906		ADJUSTING SHAFT						1	
11		13812003		PRESSURE SPRING						1	
12		13811906		ACCEPT PLATE, UPPER						1	
13		SM5040855SN		SCREW						2	

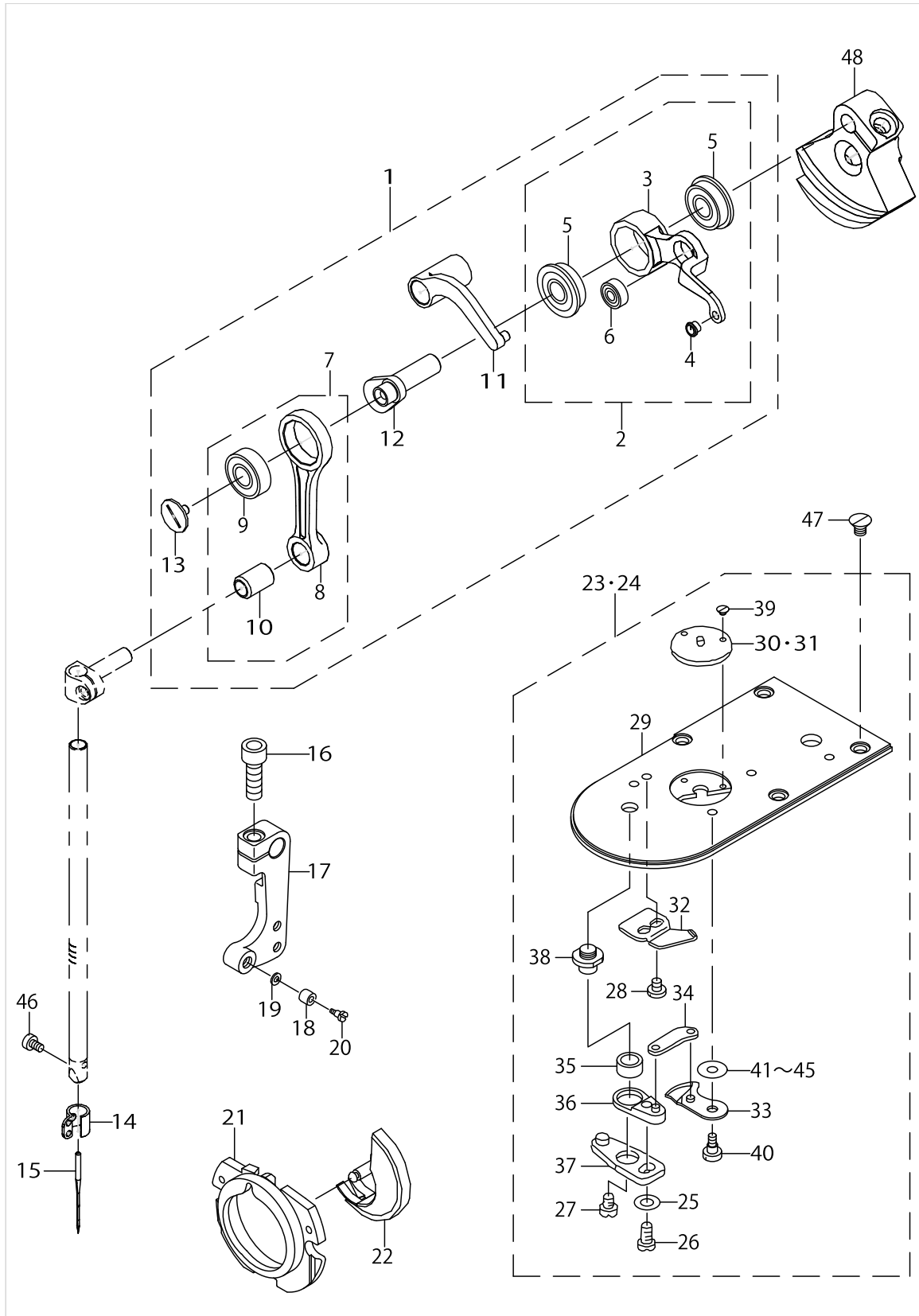
EXCLUSIVE PARTS FOR LK-1903ANS-311,LK-1903ANS-312 (2)



EXCLUSIVE PARTS FOR LK-1903ANS-311,LK-1903ANS-312 (2)

No.	Supply Code	Parts No.	Replacement	Parts name	Remarks	Choice	Step	Level	Cons	Qty	Rep. QTY
1		40006923		THREAD TAKE UP B COMPL.						1	
2	R	40006924	40006923	THREAD TAKE UP LEVER B ASM.				*		1	1.00
3	R	40006925	40006923	THREAD TAKE UP LEVER B				*		1	1.00
4		B1908505000		THREAD PASS BUSH				*		1	
5		SB108002200		BEARING				*		2	
6		SB104001600		BEARING				*		1	
7		40006534		NEEDLE BAR CRANK ROD ASM.				*		1	
8	R	40006535	40006534	NEEDLE BAR CRANK ROD				*		1	1.00
9		SB108002300		BEARING				*		1	
10	R	22891006	22890958	NEEDLE BAR CRANK ROD BUSH		A	DDL-5700N	*		1	1.00
10	R	22891006	23622251	NEEDLE BAR CRANK ROD BUSH		B	DDL-9000,- DP-2100,DLN-9010	*		1	1.00
10	R	22891006	40078106	NEEDLE BAR CRANK ROD BUSH		C	AMS- /IP-- 420,AMS-220EN	*		1	1.00
10	R	22891006	40006534	NEEDLE BAR CRANK ROD BUSH		D	LK- ,AMS-- /IP-410,A- MS-210E,AB-1351	*		1	1.00
11		40006532		THREAD TAKE UP CRANK				*		1	
12	R	40006926	40006923	NEEDLERODCRANKB				*		1	1.00
13		B1903552000		LEFT SCREW				*		1	
14	R	40006525	40010574	NEEDLE BAR THREAD GUIDE						1	1.00
15		MDP170B1400		NEEDLE DPX17 #14					☆	1	
16		SM6061802TP		SCREW M6 L=18						1	
17		40011949		CONNECTING ARM B						1	
18	R	B2619372000	26028803	STOP MOTION TRI- PPING LEVER CAM						1	1.00
19		B185351200E		HOOK SHAFT WASHER						1	
20		SD0791271SP		HINGE SCREW D=7.94 H=12.7						1	
21		14103352		INNER HOOK PRESSER ASM., B					☆	1	
22	R	40006580	400065800A0	SHUTTLE		A	AMS210EN- /7450,AMS- 210EN/X7450C		☆	1	1.00
22	R	40006580	40110846	SHUTTLE		B	LK-1900A/- 1900AN, AB-1351		☆	1	1.00
23		40006725		NEEDLE PLATE ASM.,M	FOR LK-19- 03ANS-311					1	
24		40006726		NEEDLE PLATE ASM.,K	FOR LK-19- 03ANS-312					1	
25		WP0450846SP		WASHER				*		1	
26		SS7110740TP		SCREW 11/64-40 L=7				*		1	
27		SS6110430TP		SCREW 11/64-40 L=4.0				*		1	
28		SS7090410SP		SCREW 9/64-40 L=3.5				*		2	
29		40006721		NEEDLE PLATE				*		1	
30		MAZ15801000		GUIDE	FOR LK-19- 03ANS-311			*	☆	1	
31		MAZ15601000		GUIDE	FOR LK-19- 03ANS-312			*	☆	1	
32		B2424280000		FIXING KNIFE				*	☆	1	
33		B24212800A0		MOVING KNIFE ASM.				*	☆	1	
34		B2418280000		MOVING KNIFE LINK				*		1	
35		B2416280000		THREAD CUTTING LEVER RING				*		1	
36		B24152800A0		THREAD CUTTER L- EVER ASM., SMALL				*		1	
37		B24142800A0		THREAD CUTTER L- EVER ASM., LARGE				*		1	

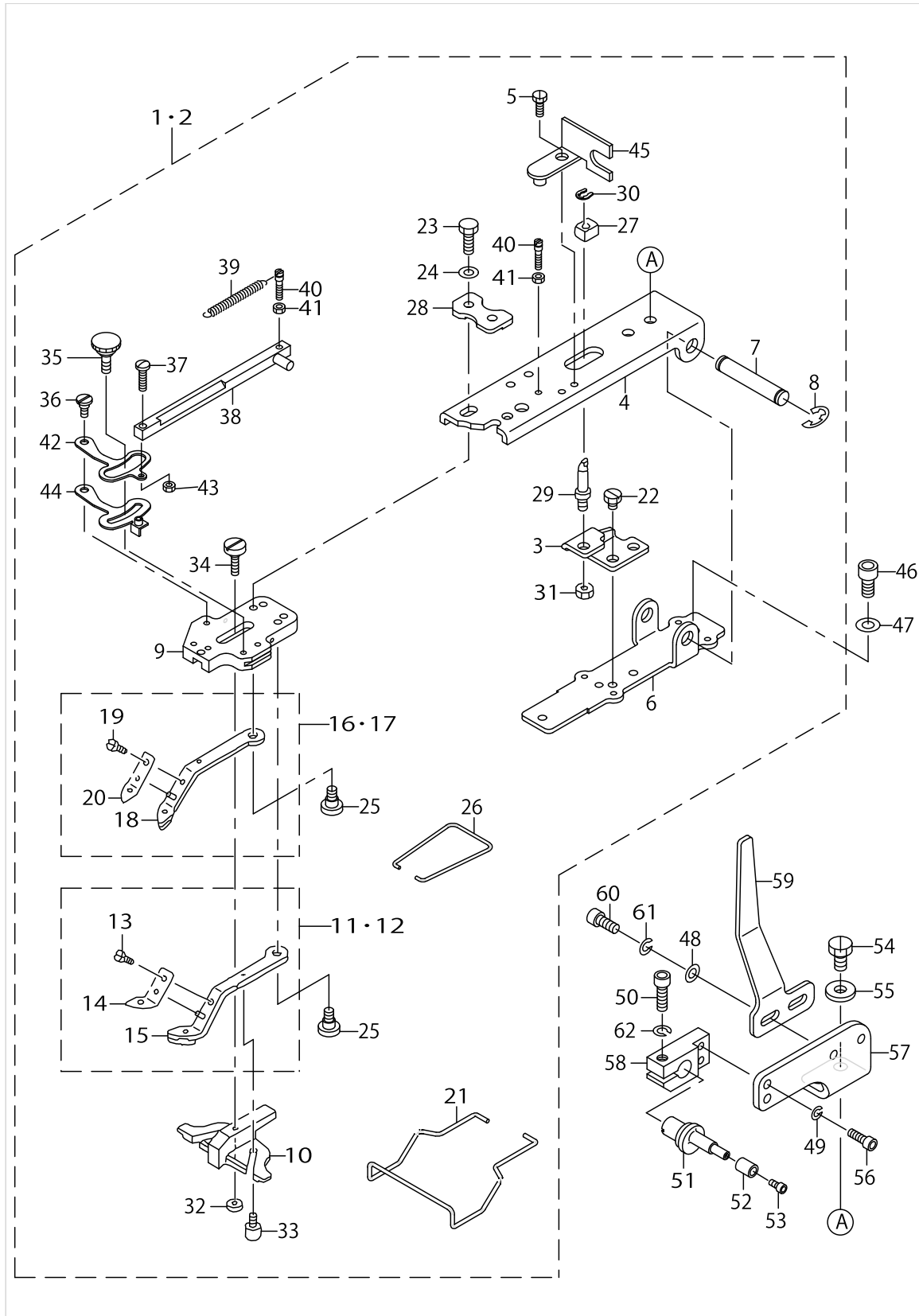
EXCLUSIVE PARTS FOR LK-1903ANS-311,LK-1903ANS-312 (2)



EXCLUSIVE PARTS FOR LK-1903ANS-311,LK-1903ANS-312 (2)

No.	Supply Code	Parts No.	Replacement	Parts name	Remarks	Choice	Step	Level	Cons	Qty	Rep. QTY
38		B2417280000		THREAD CUTTER LEVER SHAFT				*		1	
39		SS1060210TP		SCREW 3/32-56 L=2.2				*	☆	2	
40		SD0500091TP		HINGE SCREW D=5.0 H=0.9				*		1	
41		B242328000C		MOVING KNIFE WASHER C	SELECTIVE PARTS			*		1	
42		B242328000D		MOVING KNIFE WASHER D	SELECTIVE PARTS			*		1	
43		B242328000E		MOVING KNIFE WASHER E	SELECTIVE PARTS			*		1	
44		B242328000A		MOVING KNIFE WASHER A	SELECTIVE PARTS			*		1	
45		B242328000B		MOVING KNIFE WASHER B	SELECTIVE PARTS			*		1	
46		SM6030500SN		SCREW M3 L=5						1	
47		SM1040650TP		SCREW						4	
48	R	40006927	40010428	COUNTER_WEIGHT_B						1	1.00

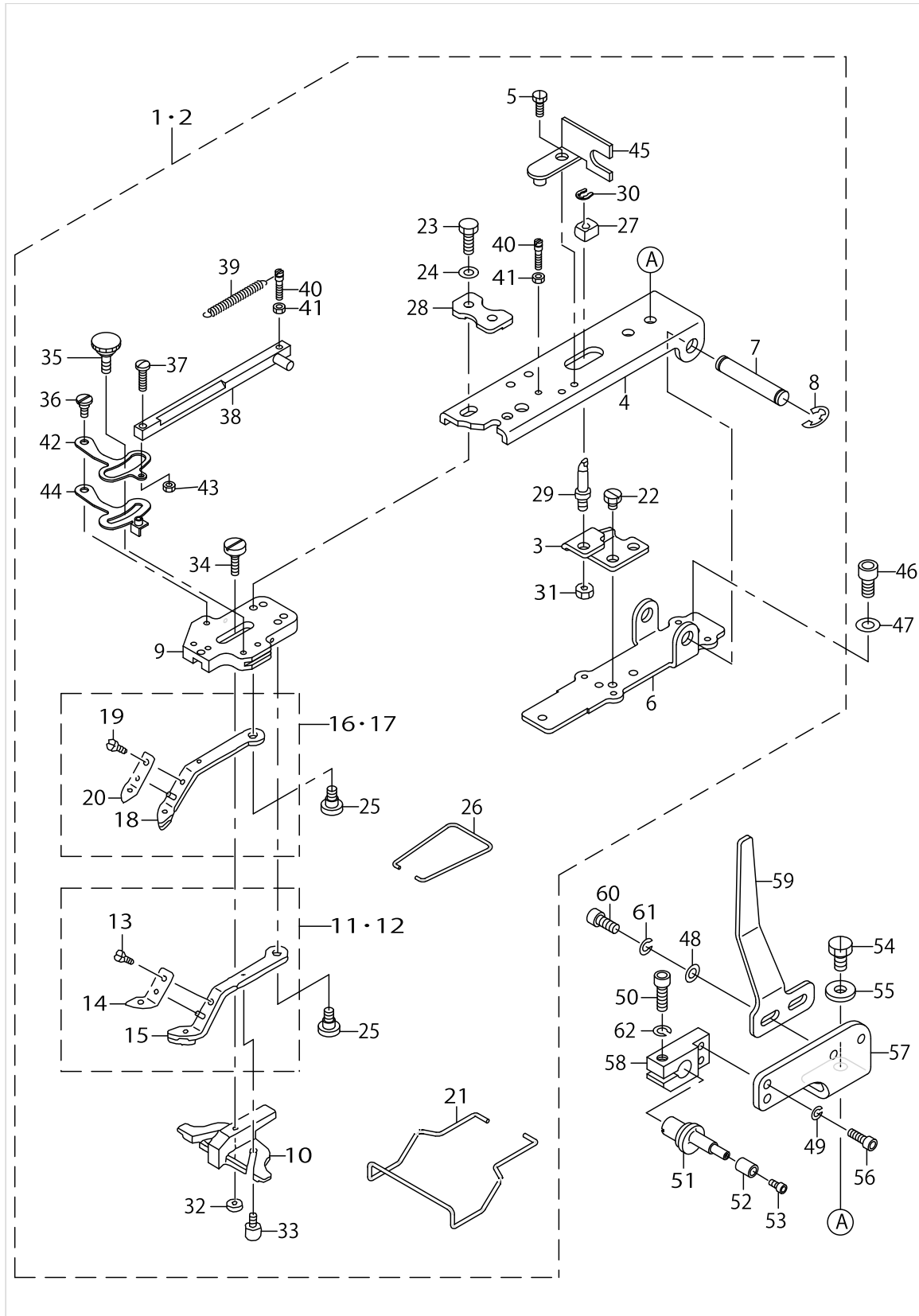
BUTTON CLAMP COMPONENTS



BUTTON CLAMP COMPONENTS

No.	Supply Code	Parts No.	Replacement	Parts name	Remarks	Choice	Step	Level	Cons	Qty	Rep. QTY
1		14190052		KNOB DEVICE JUNCTION COMPL.	FOR LK-19-03AN-311					1	
2		14190151		KNOB DEVICE JUNCTION COMPL.	FOR LK-19-03AN-312					1	
3		MAZ15514000		SUPPORT PLATE				*		1	
4		14146203		PICK-UP FOOT INSTALLING BASE				*		1	
5		SS9091010SP		SCREW 9/64-40 L=10				*		1	
6		14146104		PICK-UP INSTALLING BASE				*		1	
7		14141402		INSTALLING SHAFT				*		1	
8		RE0700000K0		E-RING 7				*		2	
9		14146302		PICK-UP FOOT INSTALLING BASE				*		1	
10		MAZ16522000		BUTTONGUIDE FOOT				*		1	
11		14190458		S BUTTON CLAMP JAW LEVER ASM.R	FOR LK-19-03AN-311			*		1	
12		MAZ166070B0		M BUTTON CLAMP JAW LEVER ASM.R	FOR LK-19-03AN-312			*		1	
13		SS7090410SP		SCREW 9/64-40 L=3.5				*		2	
14		MAZ08829000		SPRING, RIGHT				*		1	
15	R	MAZ166070A0	MAZ166070B0	M BUTTON CLAMP JAW LEVER ASM.R				*		1	1.00
16		14190557		S BUTTON CLAMP JAW LEVER ASM.L	FOR LK-19-03AN-311			*		1	
17		MAZ166080B0		KNOB FOOT JUNCTION (LEFT)	FOR LK-19-03AN-312			*		1	
18	R	MAZ166080A0	MAZ166080B0	MIDDLE BUTTON CLAMP LEVER ,L				*		1	1.00
19		SS7090410SP		SCREW 9/64-40 L=3.5				*		2	
20		MAZ08828000		SPRING, LEFT				*		1	
21		D3130M1YC00		FINGER GUARD				*		1	
22		SS9110460CP		SCREW 11/64-40 L=4				*		2	
23		SS9621413SP		SCREW 3/16-32 L=13.5				*		2	
24		WP0501016SD		WASHER 5X10.5X1				*		2	
25		SD0640391TP		HINGE SCREW D=6.35 H=3.9				*		2	
26		B2561372000		BUTTON CLAMP SPRING				*		1	
27		MAZ15515000		SLIDE BLOCK				*		1	
28		14190300		FITTING BASE PRESSER PLATE				*		1	
29		13540901		STATIONING BLOCK SHAFT				*		1	
30		D2548232D00		SNAP RING, FOR CO-CONNECTING ROD				*		1	
31		NS6150310SP		NUT 15/64-28				*		1	
32		B2553372000		NUT				*		1	
33		B2560372000		BUTTON CLAMP STOP PIN				*		2	
34		SD0550303TP		HINGE SCREW D=5.5 H=3				*		1	
35	R	B2549372R00	B2549372R00A	CLAMP SCREW A				*		1	1.00
36		SD0500301SP		HINGESCREWD=5H=3				*		1	
37		SS7091480SP		SCREW 9/64-40 L=13.5				*		1	
38		MAZ088270A0		CLAMP PELEASE LINK ASM.				*		1	
39		GBR01606000		RELEASE RETURN SPRING				*		1	
40		GBR01607000		SPRING HOOK				*		2	
41		NS6080210SP		NUT 1/8-44				*		2	
42		GBR01601000A		CLAMP RELEASE LEVER				*		1	
43		NS6090310SP		NUT 9/64-40				*		1	

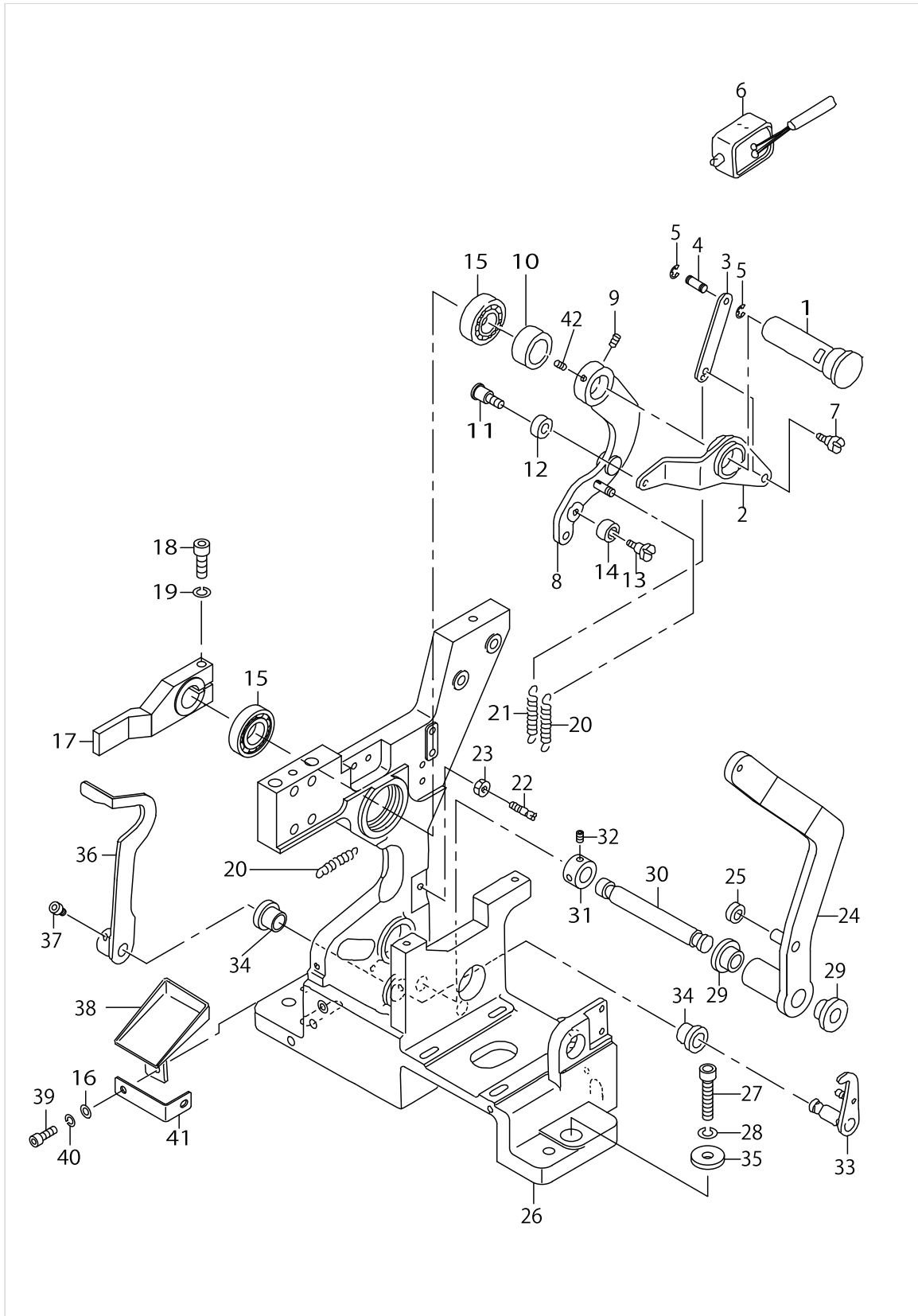
BUTTON CLAMP COMPONENTS



BUTTON CLAMP COMPONENTS

No.	Supply Code	Parts No.	Replacement	Parts name	Remarks	Choice	Step	Level	Cons	Qty	Rep. QTY
44	R	B2548372RA0	B2548372R00A	BUTTON CLAMP ST- OP LEVER ASM.				*		1	1.00
45		D2572M1YC0F		LINK SUPPORTING PLATE				*		1	
46		SM6061202TP		SCREW M6 L=12						1	
47		WP0612516SD		WASHER 6.1X15.2X2.5						1	
48		WP0531000SD		WASHER M5						2	
49		WS0410002KN		SPRING WASHER						2	
50		SM6051602TP		SCREW M5X0.8 L=16						1	
51		18227603		HOOK						1	
52		18200709		BUTTON GAUGE F- OR FOUR HOLES						1	
53		SM6030602TP		SCREW M3X0.5 L=6						1	
54		SS9151120CP		SCREW 15/64-28L=11						2	
55		WP0612516SD		WASHER 6.1X15.2X2.5						2	
56		SM6041202TP		SCREW M4X0.7 L=12						2	
57		GBR25004000		HOLDER BRACKET						1	
58		18209007		HOOK HOLDER						1	
59		GBR25003000		LIFTING ACTUATING PLATE						1	
60		SM6051202TP		SCREW M5X0.8 L=12						2	
61		WS0510002KP		SPRING WASHER 5.1X9.2X1.3						2	
62		WS0510002KP		SPRING WASHER 5.1X9.2X1.3						1	

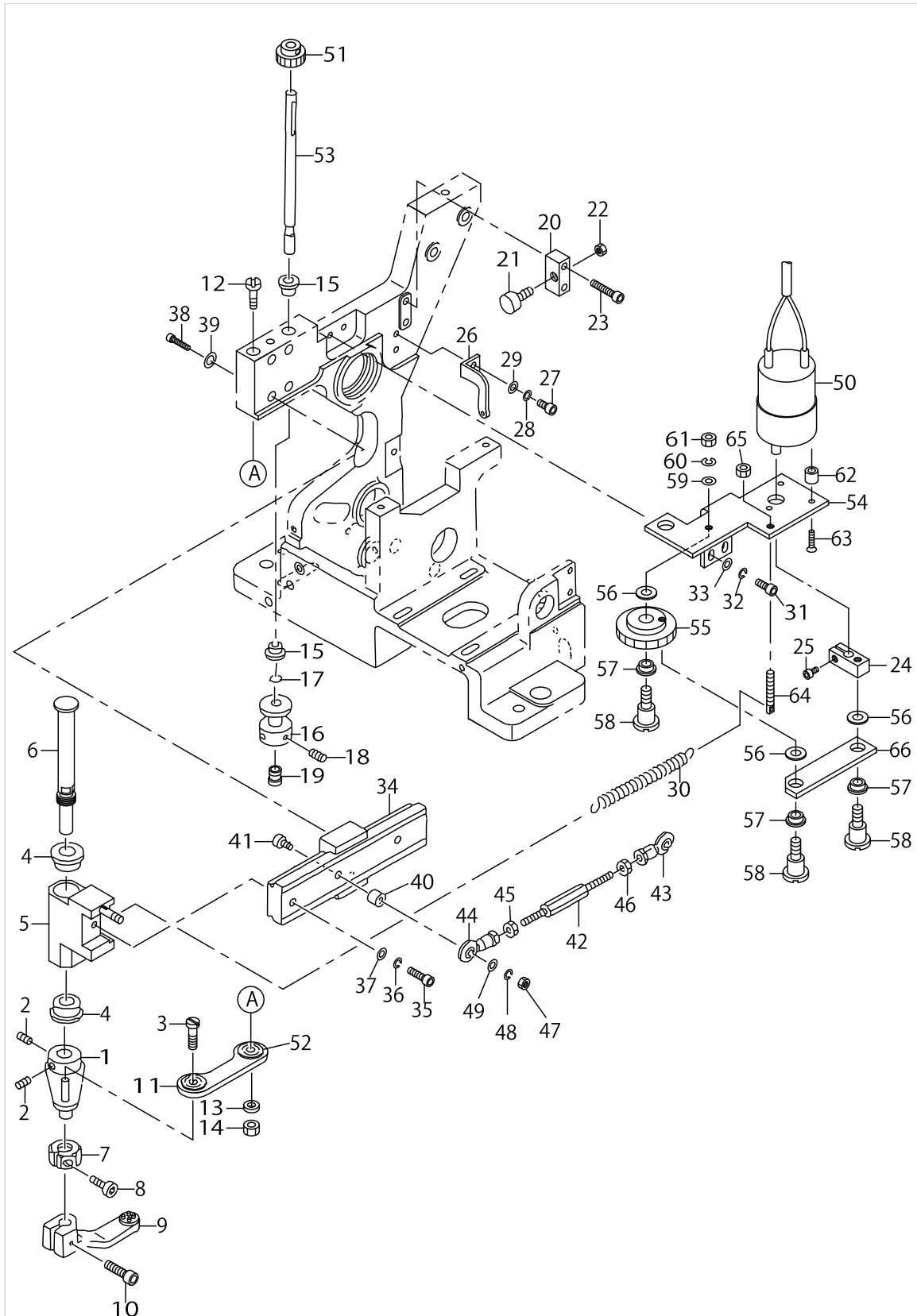
FINE POSITION OF BUTTONS COMPONENTS (1)



FINE POSITION OF BUTTONS COMPONENTS (1)

No.	Supply Code	Parts No.	Replacement	Parts name	Remarks	Choice	Step	Level	Cons	Qty	Rep. QTY
1		16552507		ARM SHAFT						1	
2		18219709		RUBBING UP-AND-DOWN LEVER						1	
3		18218206		RUBBING UP-AND-DOWN LINK						1	
4		16557209		PIN						1	
5		RE0200000K0		E-RING						2	
6		GBR10852000		MAGNET						1	
7		SD0600341TP		HINGE SCREW D=6.0 H=3.4						1	
8		18227850		UP AND DOWN LEVER ASM.						1	
9		SM8050602TP		SCREW M5 L=6						2	
10		16552606		THRUST COLLAR						1	
11		SD0600401TP		HINGESCREWD=6H=4						1	
12		18219808		RUBBING ROLLER						1	
13		SD0601021SP		HINGE SCREW D=6 H=10.2						1	
14		16556706		BEARING						1	
15		SB115000400		RADIAL BEARING						2	
16		WP0430800SC		WASHER M4						1	
17		18207902		UP AND DOWN ARM						1	
18		SM6052502TP		SCREW M5X0.8 L=25						1	
19		WS0510002KN		SPRING WASHER						1	
20		16554008		SPRING						2	
21		16553208		SPRING						1	
22		16553307		HOOK						1	
23		NM6050001SC		NUT M5						1	
24		18206706		TURNING LEVER						1	
25		16556805		COLLAR						1	
26		18227702		MAIN BODY						1	
27		SM6063002TP		SCREW M6 L=30						3	
28		WS0610002KN		SPRING WASHER 6.1X12.2X1.5						3	
29		16557506		LEVER SHAFT METAL						2	
30		16554503		SHAFT						1	
31		16559304		COLLAR						1	
32		SM8040602TP		SCREW M4X0.7 L=6						2	
33		18217752		CLAMP RELEASE ASM.						1	
34		16557605		SHAFT BUSHING						2	
35		16559601		WASHER						3	
36		18206904		CLAMPRELEASEARM						1	
37		SM6050802TP		SCREW M5X0.8 L=8						2	
38		16550105		SUPPORT PLATE						1	
39		SM6040802TP		SCREW M4X0.7 L=8						1	
40		WS0410002KN		SPRING WASHER						1	
41		GBR25005000		CAM FIXING PLATE						1	
42		SM8050612TP		SCREW M5X6						1	

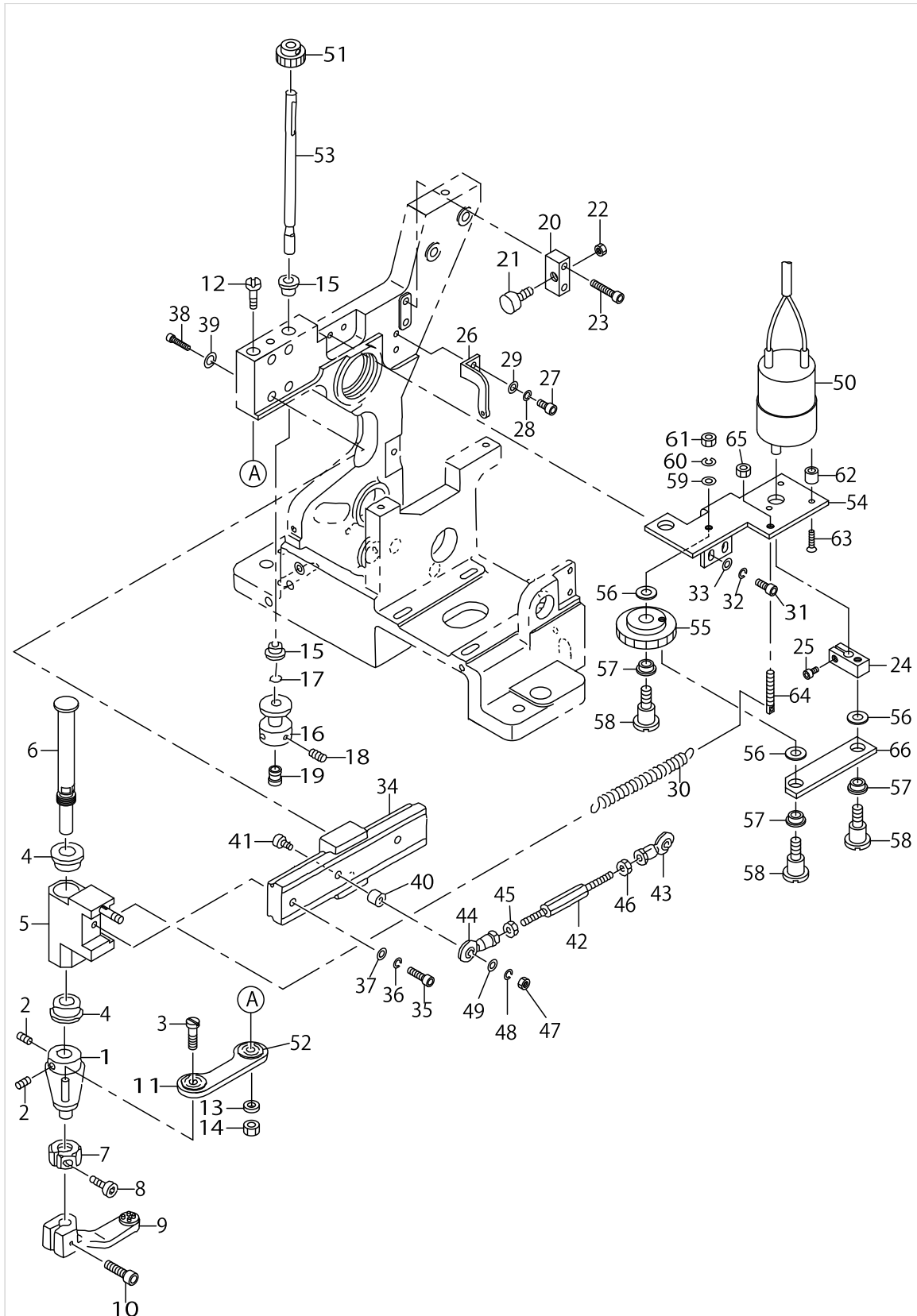
FINE POSITION OF BUTTONS COMPONENTS (2)



FINE POSITION OF BUTTONS COMPONENTS (2)

No.	Supply Code	Parts No.	Replacement	Parts name	Remarks	Choice	Step	Level	Cons	Qty	Rep. QTY
1		18206003		TURNING LEVER BOSS						1	
2		SM8050602TP		SCREW M5 L=6						2	
3		16550808		SCREW						1	
4		16557407		ARM SHAFT METAL						2	
5		18227959		TURNING HEAD ASM.						1	
6		18205906		TURNING SHAFT						1	
7		18206409		STOPPER						1	
8		SM6031202TP		SCREW M3X0.5 L=12						1	
9		16557902		BUTTON CARRIER A						1	
10		SM6051402TP		SCREW M5X0.8 L=14						1	
11		18206607		CONNECTING PLATE						1	
12		18205708		SCREW						1	
13	R	WS0510002KS	WS0510002KR	SPRING WASHER M5						1	1.00
14		NM6050001SC		NUT M5						1	
15		16557308		METAL						2	
16		16551905		HOOK						1	
17		16558801		O-RING						1	
18		SM8040602TP		SCREW M4X0.7 L=6						2	
19		18200501		WORK ATTACHMENT (SMALL)					☆	1	
20		18218800		STOPPER HOLDER						1	
21		16552309		STOPPER						1	
22		NM6040001SC		NUT M4						1	
23		SM6042002TP		SCREW M4X0.7 L=20						2	
24		GBR11112000		DRIVING ARM						1	
25		SS6111052TP		SCREW						1	
26		18205401		SPRING HOOK						1	
27		SM6041202TP		SCREW M4X0.7 L=12						2	
28		WS0410002KN		SPRING WASHER						2	
29		WP0430800SC		WASHER M4						2	
30		16551806		SPRING						1	
31		SM6041002TP		SCREW M4 L=10						2	
32		WS0410002KN		SPRING WASHER						2	
33		WP0430800SC		WASHER M4						2	
34		16556607		LM GUIDE						1	
35		SM6041402TP		SCREW M4 L=14						1	
36		WS0410002KN		SPRING WASHER						1	
37		WP0430800SC		WASHER M4						1	
38		SM6031402TP		SCREW						4	
39		WS0310002KN		SPRING WASHER M3						4	
40		16550402		COLLAR B						1	
41		SM6042502TP		SCREW M4X0.7 L=25						1	
42		16550204		CONNECTING ROD						1	
43		16556409		ROD END						1	
44		16556300		ROD END						1	
45		NM6040001SC		NUT M4						1	
46		GBR01175000		ROD END NUT, LEFT						1	

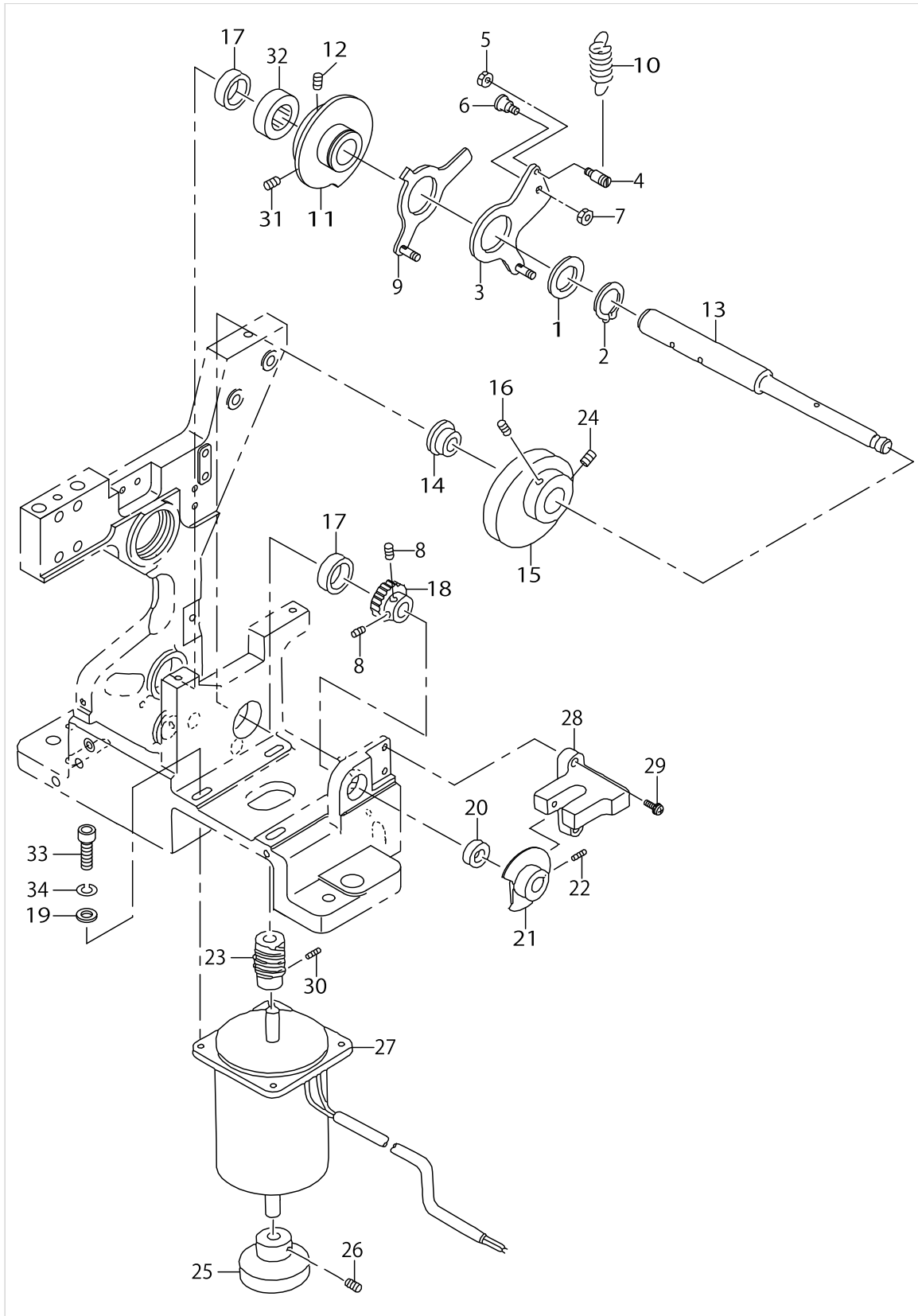
FINE POSITION OF BUTTONS COMPONENTS (2)



FINE POSITION OF BUTTONS COMPONENTS (2)

No.	Supply Code	Parts No.	Replacement	Parts name	Remarks	Choice	Step	Level	Cons	Qty	Rep. QTY
47		NM6040001SC		NUT M4						1	
48		WS0410002KN		SPRING WASHER						1	
49		WP0430800SC		WASHER M4						1	
50		GBR108550A0		DC MOTOR ASM.						1	
51		GBR11110000		PINION, A						1	
52		16556508		SPRIT						1	
53		18206201		ROTATING ROD						1	
54		GBR11109000		BRACKET						1	
55		GBR11111000		PINION, B						1	
56		GBR11114000		WASHER						3	
57		E5006171000		PS BEARING						3	
58		SD0600651TP		HINGE SCREW						3	
59		WP0430801SC		WASHER 4.3X9X0.8						1	
60		WS0410002KN		SPRING WASHER						1	
61		NS6110360SP		NUT						1	
62		GBR11115000		MOTOR SPACER.						3	
63	R	SM1031401SC	SM1031401SN	SCREW M3X0.5 L=14						3	1.00
64	R	B1649161000	26226506	TENSION SPRING A-DJUSTING SCREW						1	1.00
65		NS6110360SP		NUT						1	
66		GBR11113000		LINK						1	

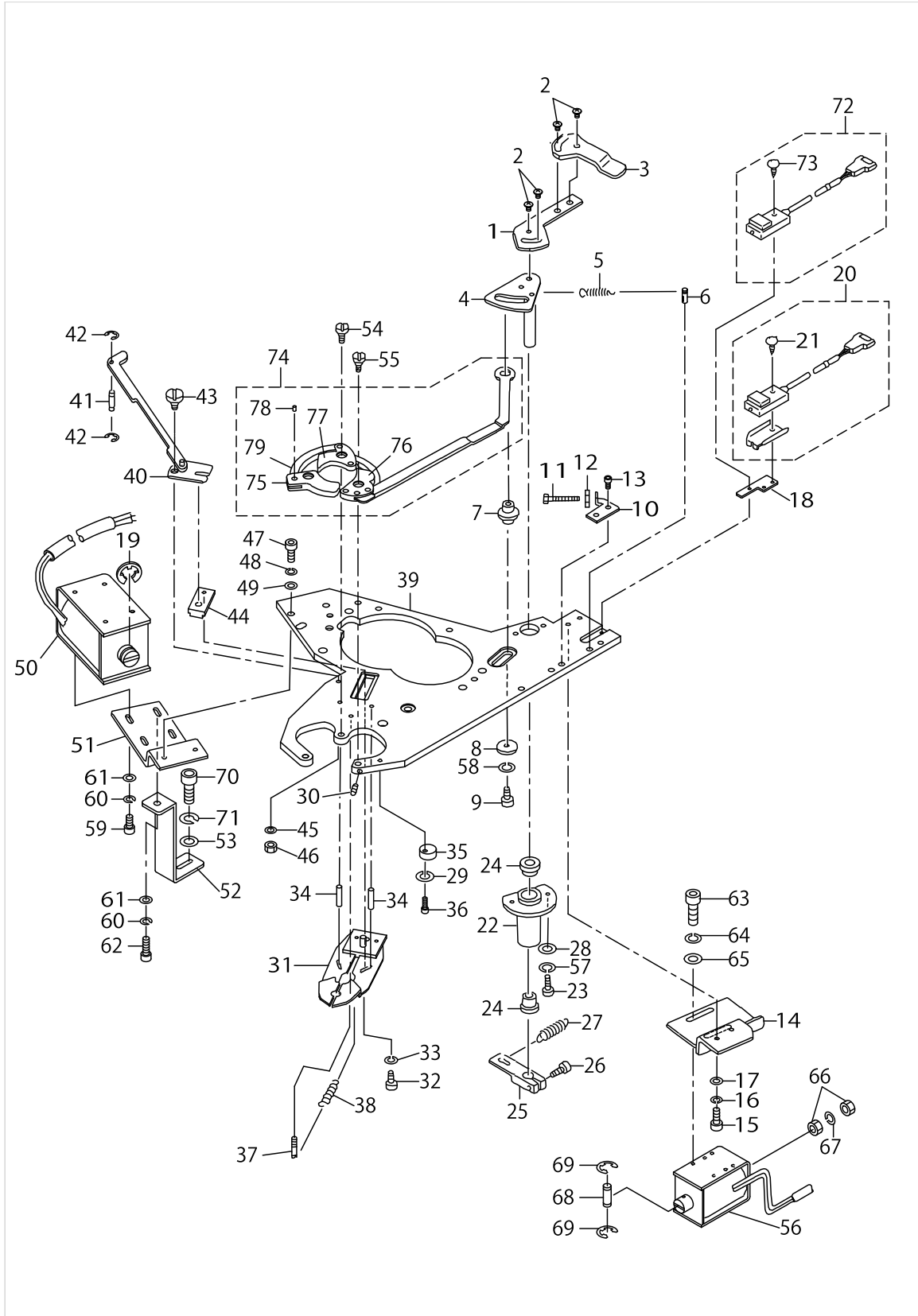
DRIVE CAM COMPONENTS



DRIVE CAM COMPONENTS

No.	Supply Code	Parts No.	Replacement	Parts name	Remarks	Choice	Step	Level	Cons	Qty	Rep. QTY
1	D	GBR01120000		COLLAR						1	
2		RC2500001KP		RETAINING RING 25						1	
3	D	18217950		START TIMING CAM ASM.						1	
4		16562803		HOOK						1	
5		NM6040001SC		NUT M4						1	
6		16562902		HINGE SCREW						1	
7		NM6050001SC		NUT M5						1	
8		SM8050602TP		SCREW M5 L=6						2	
9	D	18227553		HOLDING CLAMP DRIVE CAM ASM.						1	
10		B1426771000		SPRING						1	
11		18207209		DOUBLE CAM						1	
12		SM8050612TP		SCREW M5X6						1	
13		18207506		CAM SHAFT						1	
14		16560104		CAMSHAFTCOLLAR1						1	
15		16561607		SPINNER OSCILLATING ARM CAM						1	
16		SM8050812TP		SCREW M5X8						1	
17		GBR01168000		NEEDLE BEARING 3						2	
18		16562001		WORM WHEEL						1	
19		WP0641600SC		WASHEW6.4X12.5X1.6						4	
20		16562308		NEEDLE BEARING						1	
21		16560302		SENSOR DOCK						1	
22		SM8040602TP		SCREW M4X0.7 L=6						1	
23		16562100		WORM GEAR						1	
24		SM8050842TP		SETSCREW						1	
25		16561904		MOTOR KNOB						1	
26		SM8050602TP		SCREW M5 L=6						1	
27	R	GBR108590A0	HM000670000	DC MOTOR ASM.						1	1.00
28	D	HD000360000		PHOTO MICRO SENSOR						1	
29		SL4031081SC		SCREW M3 X 10						2	
30		SM8040402TP		SCREW M4X0.7 L=4						2	
31		SM8050842TP		SETSCREW						1	
32		16560203		CAMSHAFTCOLLAR2						1	
33		SM6062002TP		SCREW M6 L=20						4	
34		WS0610002KN		SPRING WASHER 6.1X12.2X1.5						4	

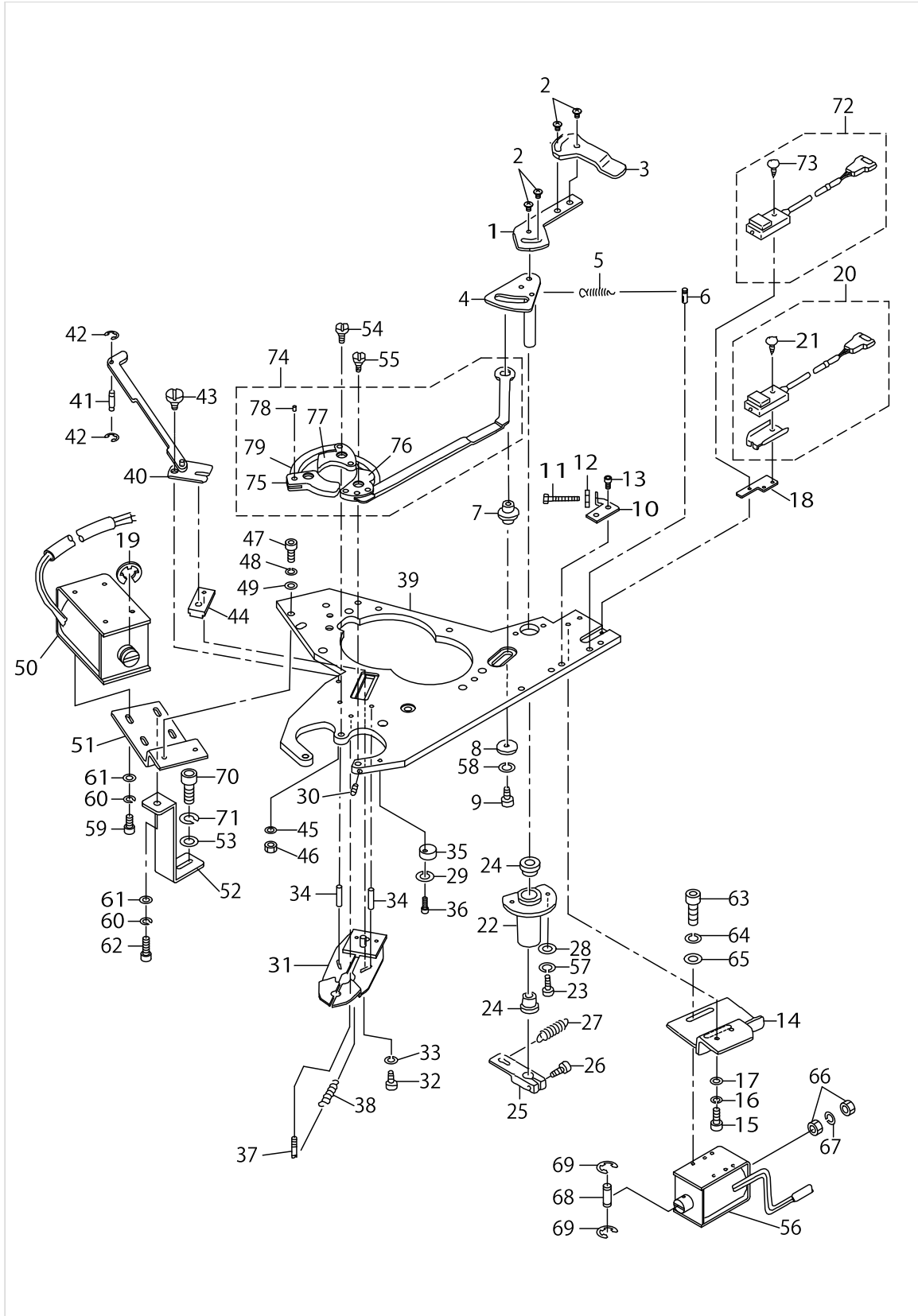
INDEX COMPONENTS (1)



INDEX COMPONENTS (1)

No.	Supply Code	Parts No.	Replacement	Parts name	Remarks	Choice	Step	Level	Cons	Qty	Rep. QTY
1		16566507		CHECK DOG						1	
2		SM0040601SC		SCREW M4X0.7 L=6						4	
3		16574105		DOG						1	
4		16566002		SPINNER CAM						1	
5		16553208		SPRING						1	
6		18218909		DW PIN 4X12						1	
7		16565707		SHAFT (3)						1	
8		B2107816000A		WASHER						1	
9		SM6041002TP		SCREW M4 L=10						1	
10	D	16566606		STOPPER BKT						1	
11		SM8042502TP		SCREW M4X0.7 L=25						1	
12		NM6040001SC		NUT M4						1	
13		SM6040802TR		SCREW M4X0.7 L=8						2	
14	D	16567000		BRACKET (1)						1	
15		SM6041002TP		SCREW M4 L=10						2	
16		WS0410002KN		SPRING WASHER						2	
17		WP0430800SC		WASHER M4						2	
18		16574006		BRACKET						1	
19		RE1200000K0		E-RING 12						1	
20		GBR108430A0		RUB COMPLETION SWITCH ASM.						1	
21	D	SM0861201SA		SCREW				*		1	
22		16565905		CUPLING						1	
23		SM6041002TP		SCREW M4 L=10						2	
24		16572406		METAL						2	
25		16566408		LINK LEVER						1	
26		SM6041202TP		SCREW M4X0.7 L=12						1	
27		18201608		SPRING, 2						1	
28		WP0430800SC		WASHER M4						2	
29		WP0430800SC		WASHER M4						1	
30		SM8030402TP		SCREW M3X0.5 L=4						1	
31		16567166		SHUTTER PLATE ASM.						1	
32		SM6041202TP		SCREW M4X0.7 L=12						1	
33		WS0410002KN		SPRING WASHER						1	
34		18204107		PIN						2	
35		18209502		ECCENTRIC STOPPER						1	
36		SM6041202TP		SCREW M4X0.7 L=12						1	
37		18219204		DW PIN 4X18						1	
38		16554008		SPRING						1	
39		18217505		TOP PLATE						1	
40		16567802		LINK PLATE						1	
41		16572505		PIN						1	
42		RE0250000K0		E-RING 2.5						2	
43		16567901		HING SCREW						1	
44		16573305		SLIDER BLOCK						1	
45		WS0410002KN		SPRING WASHER						2	
46		NM6040001SC		NUT M4						2	

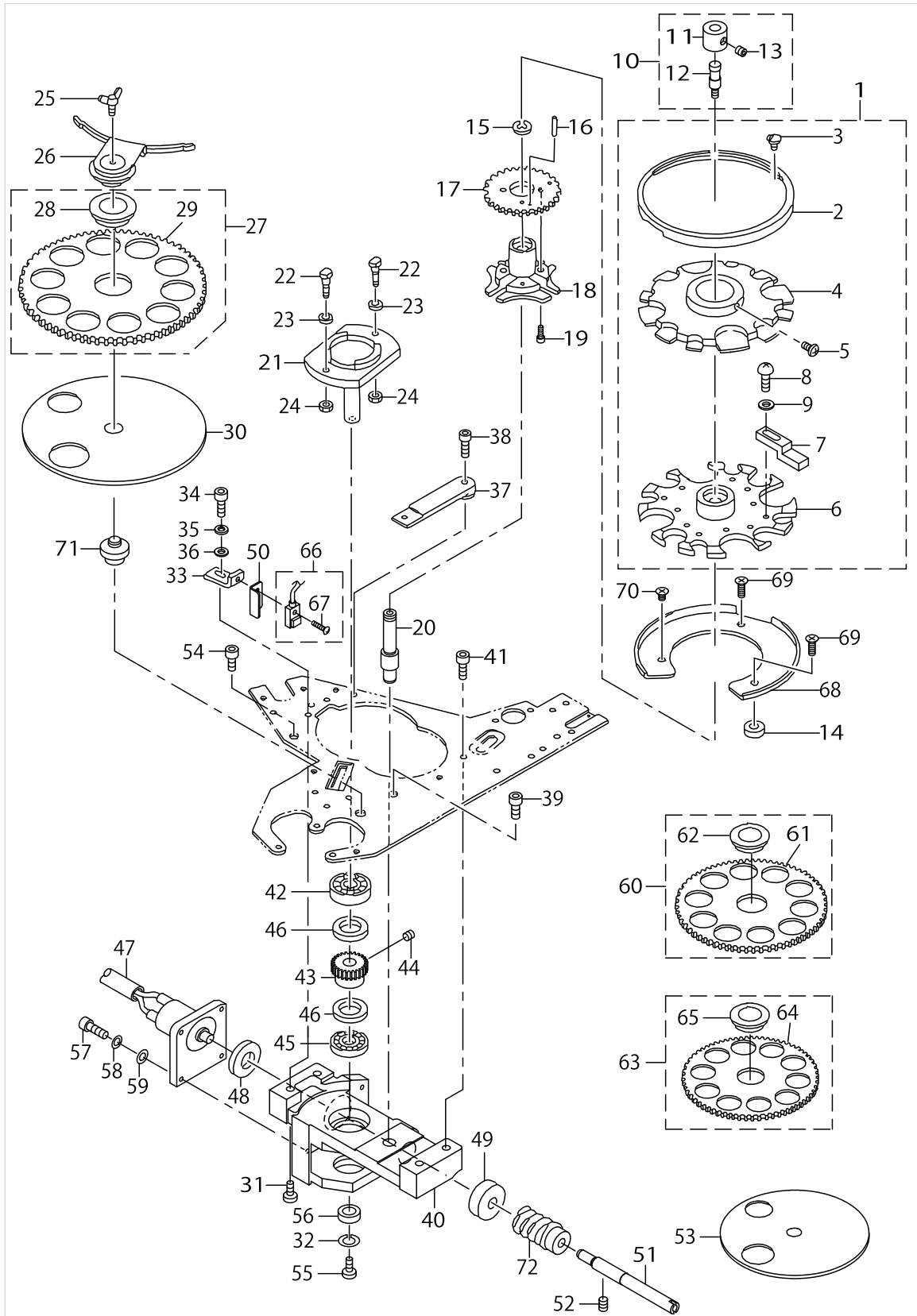
INDEX COMPONENTS (1)



INDEX COMPONENTS (1)

No.	Supply Code	Parts No.	Replacement	Parts name	Remarks	Choice	Step	Level	Cons	Qty	Rep. QTY
47		SM6041002TP		SCREW M4 L=10						2	
48		WS0410002KN		SPRING WASHER						2	
49		WP0430800SC		WASHER M4						2	
50		GBR10853000		MAGNET						1	
51		16568206		BRACKET (2)						1	
52		16574204		SUPPORT PLATE						1	
53		WP0641600SC		WASHEW6.4X12.5X1.6						1	
54		16565400		HING PIN (2)						2	
55		16565509		HING PIN (1)						1	
56		GBR10854000		MAGNET						1	
57		WS0410002KN		SPRING WASHER						2	
58		WS0410002KN		SPRING WASHER						1	
59		SM6040802TP		SCREW M4X0.7 L=8						3	
60		WS0410002KN		SPRING WASHER						4	
61		WP0430800SC		WASHER M4						4	
62		SM6041202TP		SCREW M4X0.7 L=12						1	
63		SM6040802TP		SCREW M4X0.7 L=8						2	
64		WS0410002KN		SPRING WASHER						2	
65		WP0430800SC		WASHER M4						2	
66		NM6040001SC		NUT M4						2	
67		WS0410002KN		SPRING WASHER						1	
68		16557209		PIN						1	
69		RE0200000K0		E-RING						2	
70		SM6061602TP		SCREW M6 L=16						1	
71		WS0610002KN		SPRING WASHER 6.1X12.2X1.5						1	
72		GBR108440A0		BUTTON SENSOR SWITCH ASM.						1	
73	D	SM0861201SA		SCREW M2.6 L=12				*		1	
74		18202150		CHECK ASM., A						1	
75		18204909		CHECK, E				*		1	
76		18202101		CHECK, C				*		1	
77		18202200		CHECK, D				*		1	
78		16572000		PIN				*		5	
79		16565301		STITCHTONGUELINK				*		2	

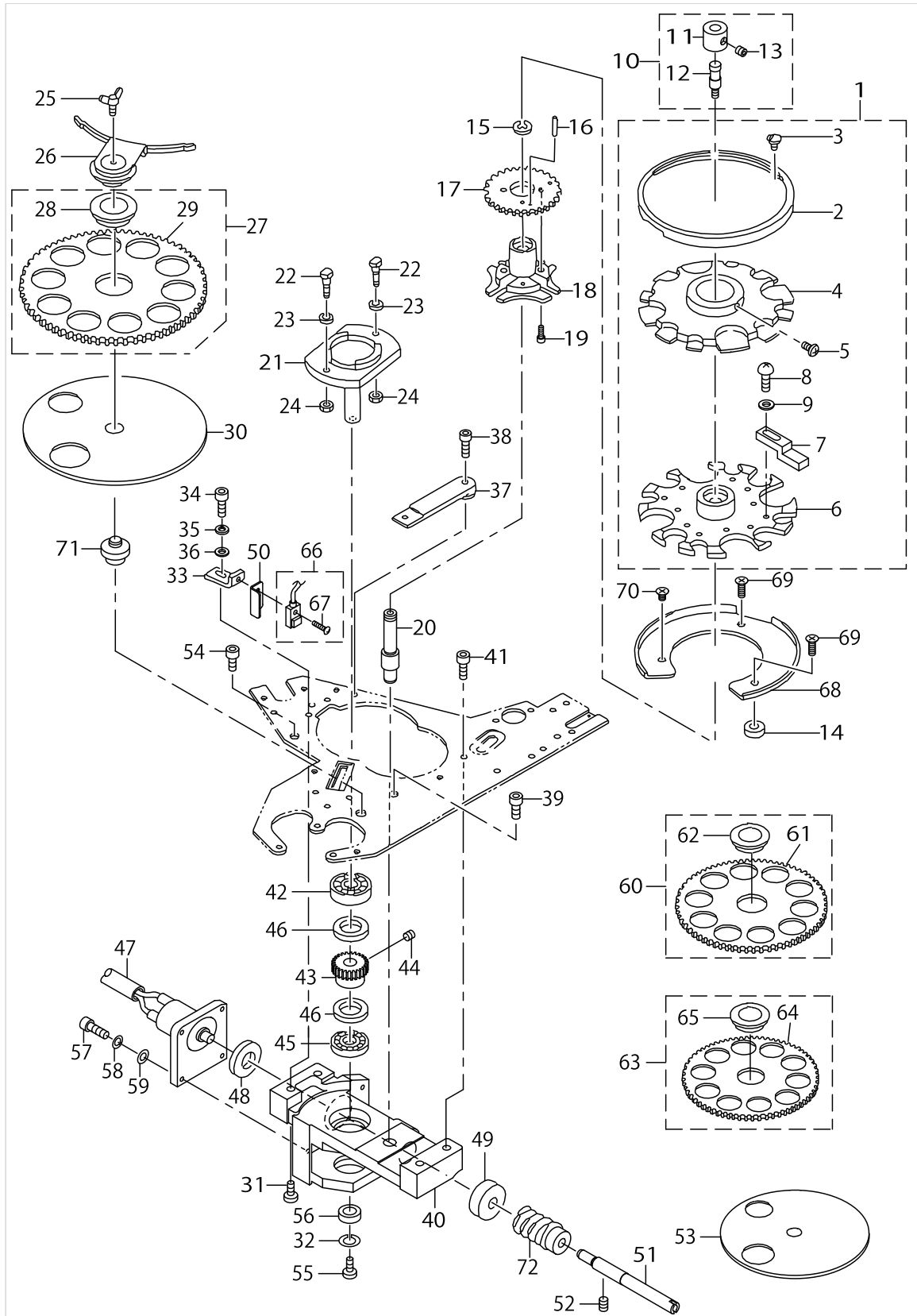
INDEX COMPONENTS (2)



INDEX COMPONENTS (2)

No.	Supply Code	Parts No.	Replacement	Parts name	Remarks	Choice	Step	Level	Cons	Qty	Rep. QTY
1	R	18201962	40163503	FEED ACROSS PLATE ASM. A						1	1.00
2		16573701		RING				*		1	
3		SM0040601SC		SCREW M4X0.7 L=6				*		2	
4	R	18203307	40163420	ADJUSTING PLATE				*		1	1.00
5		SL4030881SC		SCREW M3 L=8				*		1	
6	R	18201905	40163419	FEED PLATE A				*		1	1.00
7		18202002		BUTTON ADJUST A				*		8	
8		SM4860501SC		SCREW M 2.6 X 5				*		8	
9		WP0280500SC		WASHER				*		8	
10		18213454		LOCK SCREW ASM.						1	
11		18213405		LOCK COLLAR				*		1	
12		18213504		LOCK SHAFT				*		1	
13		SM8050502TP		SCREW M5 L=5				*		1	
14		16573008		COLLAR						2	
15		16571903		CLIP						1	
16		18204206		PIN						1	
17		16569600		GEAR						1	
18		16569501		GENEVA						1	
19		SM6030802TP		SCREW M3X0.5 L=8						2	
20		18219501		DIVIDING MAIN SHAFT						1	
21		16570103		WHEEL						1	
22		16570202		SCREW						2	
23		16570301		COLLAR						2	
24		NM6040001SC		NUT M4						2	
25		18204503		WING BOLT						1	
26		16568909		COVER CAP						1	
27		18200352		FEED PLATE CIRCLE 16 ASM.	FOR SMAL- L-SIZED BUTTON					1	
28		16572703		METAL				*		1	
29		18200303		FEED PLATE 16				*		1	
30		16568404		FERRULE DISC						1	
31		SM6052002TP		SCREW M5 L=20						1	
32		WS0410002KN		SPRING WASHER						1	
33		16570707		SENSOR BRACKET						1	
34		SM6040802TR		SCREW M4X0.7 L=8						1	
35		WS0410002KN		SPRING WASHER						1	
36		WP0430800SC		WASHER M4						1	
37		16570905		STAND PLATE (1)						1	
38		SM6041202TP		SCREW M4X0.7 L=12						1	
39		SM6051202TP		SCREW M5X0.8 L=12						1	
40		18219600		GENEVA HOUSE						1	
41		SM6051602TP		SCREW M5X0.8 L=16						3	
42		SB110000400		BALL BEARING						1	
43		16562001		WORM WHEEL						1	
44		SM8050602TP		SCREW M5 L=6						2	
45		16571804		BEARING A						1	
46		16573909		THRUST COLLAR						2	

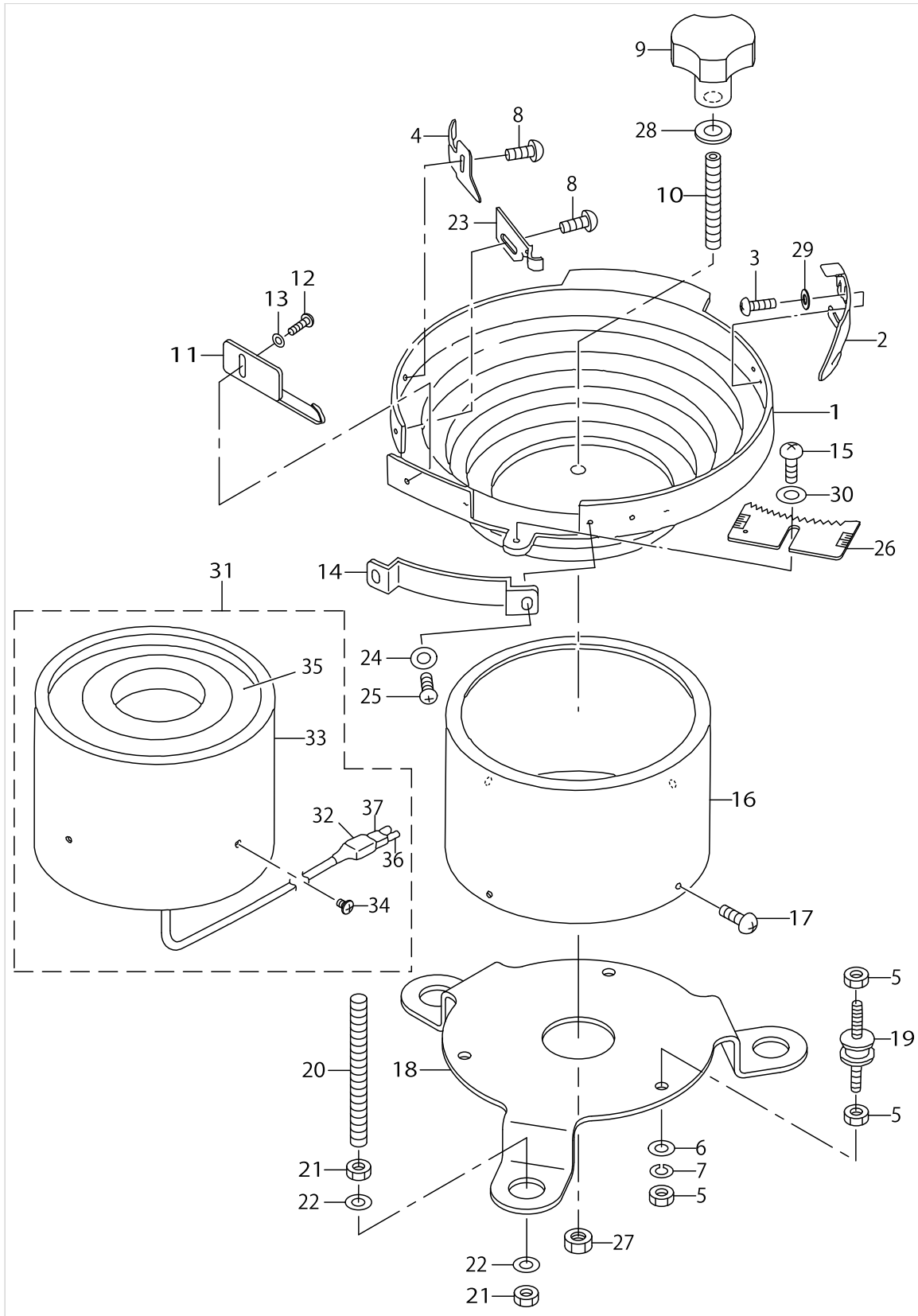
INDEX COMPONENTS (2)



INDEX COMPONENTS (2)

No.	Supply Code	Parts No.	Replacement	Parts name	Remarks	Choice	Step	Level	Cons	Qty	Rep. QTY
47		GBR108560A0		DC MOTOR ASM.						1	
48		16570509		THRUST COLLAR						1	
49		16571408		NEEDLE BEARING						1	
50		18212902		SENSOR COVER						1	
51		16570608		SHAFT						1	
52		SM8040402TP		SCREW M4X0.7 L=4						2	
53		18201103		HOLDING PLATE (SMALL)	OPTIONAL PARTS					1	
54		SM6051202TP		SCREW M5X0.8 L=12						1	
55		SM6041002TP		SCREW M4 L=10						1	
56		B2107816000		WASHER						1	
57		SM6030802TP		SCREW M3X0.5 L=8						4	
58		WS0310002KN		SPRING WASHER M3						4	
59		WP0320500SC		WASHER M3						4	
60		16568651		FEEDPLATE22BASM.	FOR MEDIUM-SIZED BUTTON					1	
61		16568602		FEED PLATE 22B	FOR MEDIUM-SIZED BUTTON			*		1	
62		16572703		METAL				*		1	
63		18200956		FEED PLATE CIRCLE 13.5 ASM.	OPTIONAL PARTS					1	
64		18200907		FEED PLATE 12.5	OPTIONAL PARTS			*		1	
65		16572703		METAL				*		1	
66		GBR108450A0		INDEX STARTING SWITCH ASM.						1	
67	D	SM0861201SA		SCREW				*		1	
68		16569204		REST						1	
69		SM1041201SC		SCREW M4 L=12						2	
70		SM1040601SC		SCREW M4X0.7 L=6						1	
71		18218008		SHAFT (2)						1	
72		16571606		WORM GEAR						1	

FEEDER BALL COMPONENTS



FEEDER BALL COMPONENTS

No.	Supply Code	Parts No.	Replacement	Parts name	Remarks	Choice	Step	Level	Cons	Qty	Rep. QTY
1		16577009		FEEDER BOWL						1	
2		GBR01426000		GUIDE PLATE						1	
3		SS4110815SP		SCREW 11/64-40 L=8						2	
4		GBR01441000		BUTTON STANDING PREVENT PLATE						1	
5		NM6060001SC		NUT M6						9	
6		WP0641600SC		WASHEW6.4X12.5X1.6						3	
7		WS0610002KN		SPRING WASHER 6.1X12.2X1.5						3	
8		SM4040801SN		SCREW M4 L=8						2	
9		18204602		BOWL FIXING KNOB						1	
10		SM8086012TP		SCREW M8 L=60						1	
11		16577504		SELECTOR PLATE						1	
12		SM4040801SN		SCREW M4 L=8						1	
13		WP0430800SC		WASHER M4						1	
14		GBR01428000		GUIDE PLATE						1	
15		SM4051001SN		SCREW M5						1	
16		16577207		P/F COVER						1	
17		SM0040601SC		SCREW M4X0.7 L=6						4	
18		40014217		P/F INSTALLING BASE						1	
19	R	16579203	40090800	RUBBER VIBRATION INSULATOR						3	1.00
20		16577306		MOUNTING BOLT						3	
21		NM6080001SC		NUT M8X1.25						6	
22		16577405		WASHER						6	
23		18202408		BUTTON GUIDE A						1	
24		WP0320500SC		WASHER M3						2	
25		SM4030601SN		SCREW M3 X 6						2	
26		GBR014220A0		SELECTION PLATE ASM. (SMALL)						1	
27		NM6080001SC		NUT M8X1.25						1	
28		WP0841601SC		WASHER 8.4X17.4X1.6						1	
29		WP0450801SD		WASHER 4.5X10X0.8						2	
30		WP0531000SC		WASHER 5.3X10X1						1	
31		GBR107910A0		PARTS FEEDER ALL ASM.	FOR USE IN JAPAN AND GENERAL EXPORT					1	
32		HK004490020		CONNECTOR COVER				*		1	
33		16577207		P/F COVER				*		1	
34		SM0040601SC		SCREW M4X0.7 L=6				*		4	
35		GBR10791000		PARTS FEEDER				*		1	
36		HK004440020		2-POLE RECEPTACLE				*		1	
37		D6042555B00		PIN TERMINAL, FEMALE				*		2	

TABLE & COVER COMPONENTS

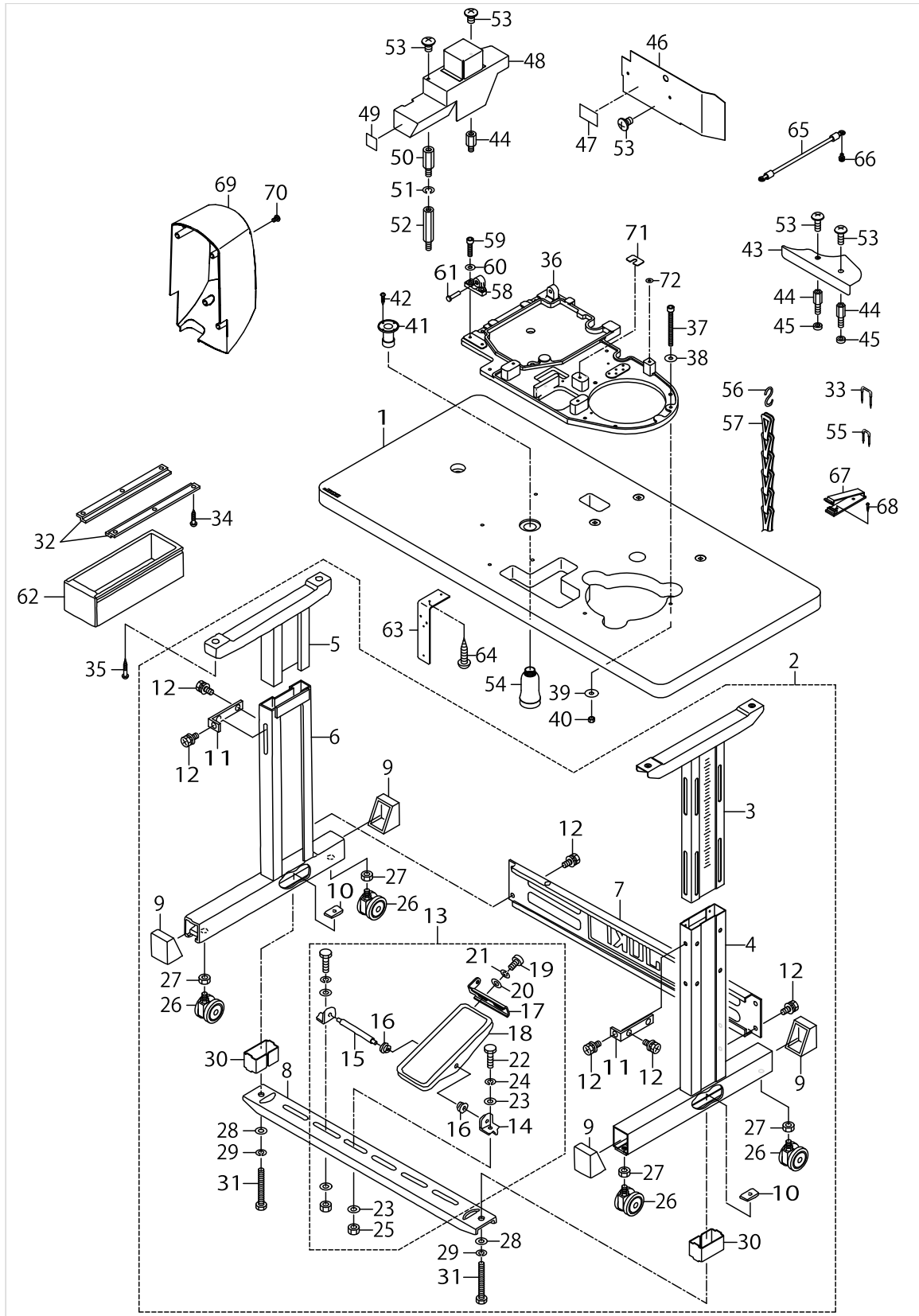


TABLE & COVER COMPONENTS

No.	Supply Code	Parts No.	Replacement	Parts name	Remarks	Choice	Step	Level	Cons	Qty	Rep. QTY
1		40014240		TABLE					☆	1	
2		14191951		T-STAND COMPL.	OPTIONAL PARTS					1	
3		14118152		UPPER STAND ASM.,RIGHT				*		1	
4		14118251		STAND ASM.,RIGHT				*		1	
5		B8101210AAB		UPPER STAND ASM.				*		1	
6		B8105210AAA		STAND ASM.				*		1	
7	D	11158300		STAND SIDE SUPPORT				*		1	
8		11158409		STAND SIDE SUPPORT				*		1	
9		11158607		RUBBER CAP				*		4	
10		17007402		NUT				*		2	
11		11158516		UPPERSTANDPLATE				*		2	
12		SL9082091SE		WASHER HEXAGONAL BOLT				*		10	
13		13817754		Z-STAND PEDAL ASM.				*		1	
14		11159001		PEDAL SHAFT BRACKET				*		2	
15		B8153771000		PEDAL CONNECTING ROD				*		1	
16		D8113555B00		PEDAL BUSHING				*		2	
17		GPF06080000		PEDAL ADJUSTING PLATE				*		1	
18		GPF060600A0		PEDAL ASM.				*		1	
19		SM9061203SE		SCREW M6 L=12				*		2	
20		WP0671016SE		WASHER 6.7X13X1				*		2	
21		WS0621210KR		SPRING WASHER 6.2X11.4X1.2				*		2	
22		SM9082023SE		SCREW M8 L=20				*		2	
23		WP0871602SE		WASHER 8.7X18X1.6				*		4	
24		WS0861410KR		SPRING WASHER 8.6X15X1.4				*		2	
25		NM6080721SE		NUT M8				*		2	
26		B8150210000		CASTER				*		4	
27		NM6120003SE		NUT M12				*		4	
28		WP0871602SE		WASHER 8.7X18X1.6				*		2	
29		WS0861410KR		SPRING WASHER 8.6X15X1.4				*		2	
30		11159506		STRUT AUXILIARY PLATE				*		2	
31		SM9086523SE		HEXAGONAL BOLT				*		2	
32		11155207		DRAWER SUPPORT	ACCESSO- RIE PARTS					2	
33		D8204555D00		DRAWER STOPPER						3	
34		SK3311601SE		WOOD SCREW D=3.1 L=16	ACCESSO- RIE PARTS					6	
35		SK3483201SE		WOOD SCREW D=4.8 L=32						4	
36		40014216		BASE						1	
37		SM6066552TP		BOLT						6	
38		WP0612056SD		WASHER 6.1X18.5X2						6	
39		WP0651646SC		WASHER						6	
40		NM6060001SC		NUT M6						6	
41		B8202205000		OIL MANAGEMENT						1	
42		SK3311601SE		WOOD SCREW D=3.1 L=16						4	
43		18222604		FRONT COVER A						1	
44		HX003390000		STUD						3	
45		B3052816000		WASHER						2	

TABLE & COVER COMPONENTS

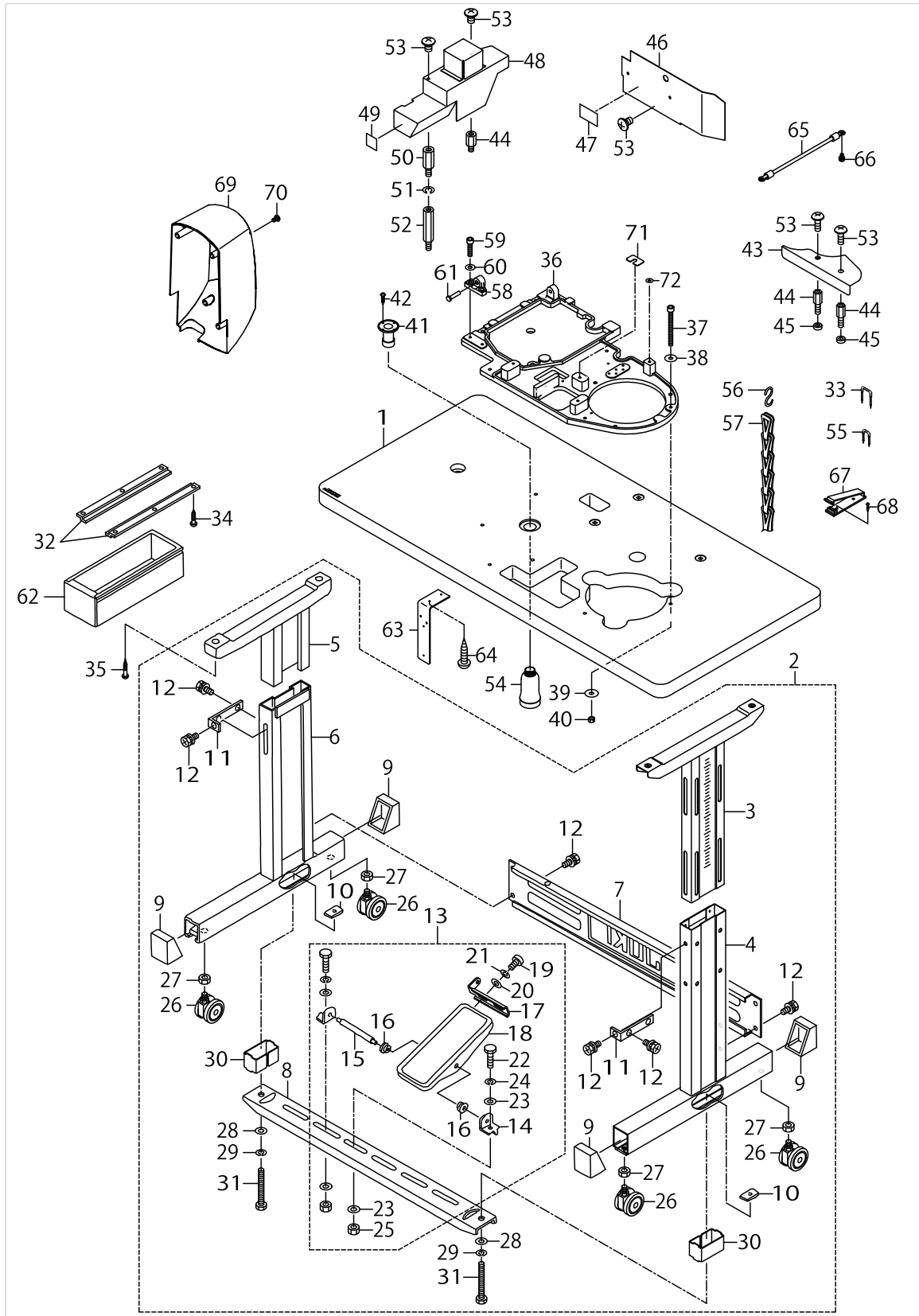
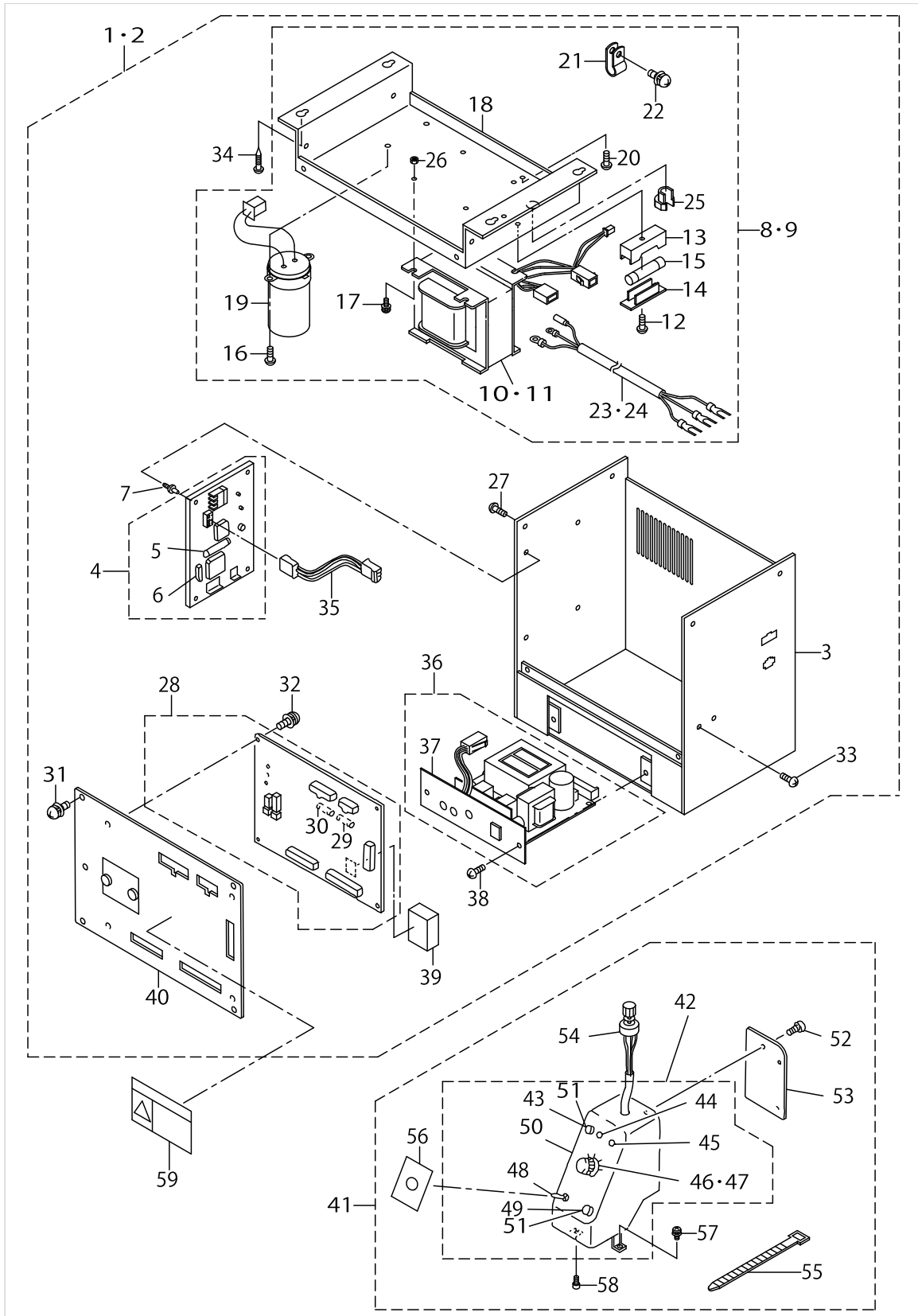


TABLE & COVER COMPONENTS

No.	Supply Code	Parts No.	Replacement	Parts name	Remarks	Choice	Step	Level	Cons	Qty	Rep. QTY
46		40014221		FRONT COVER B						1	
47		CM3002002B1		SAFETY LABEL 13	FOR USE IN JAPAN AND GENERAL EXPORT					1	
48	R	40014220	40014223	HEAD COVER						1	1.00
49		16586505		DANGER PREVENTION STICKER						1	
50	R	18228106	E3724715000	SPACER B						1	1.00
51		WS0410002KN		SPRING WASHER						1	
52		HX00339000B		BOARD PARTS						1	
53		SM0040601SA		SCREW						6	
54		B9121012000		OIL CAN						1	
55		MA011532000		CORD STAPLE						11	
56		13160304		S SHAPED HOOK	ACCESSO- RIE PARTS					2	
57		26037903		CHAIN	ACCESSO- RIE PARTS					1	
58	D	GBR25006000		HEAD FIXING HINGE						1	
59		SM6062502TP		SCREW M6 L=25						2	
60		WP0611626SP		WASHER 15X6X1.6						2	
61		D2431555B00		THREAD TRIMMER SHAFT						2	
62	R	11155108	11155157	DRAWER	ACCESSO- RIE PARTS					1	1.00
63		B5542205000		TERMINAL BRACKET						1	
64		SK3311601SE		WOOD SCREW D=3.1 L=16						2	
65		GBR308650A0		BASE EARTH CORD ASM.						1	
66		SL4041091SC		SCREW M4 L=10						1	
67		M964051000A		CABLE CLIP						1	
68		SK3382001SE		SCREW D=3.8 L=20						2	
69		40006475		MOTOR COVER						1	
70		SM5040855SN		SCREW						4	
71		GBR25010000		BODY FRAME SPACER A						3	
72		WP0621036SP		WASHER						1	

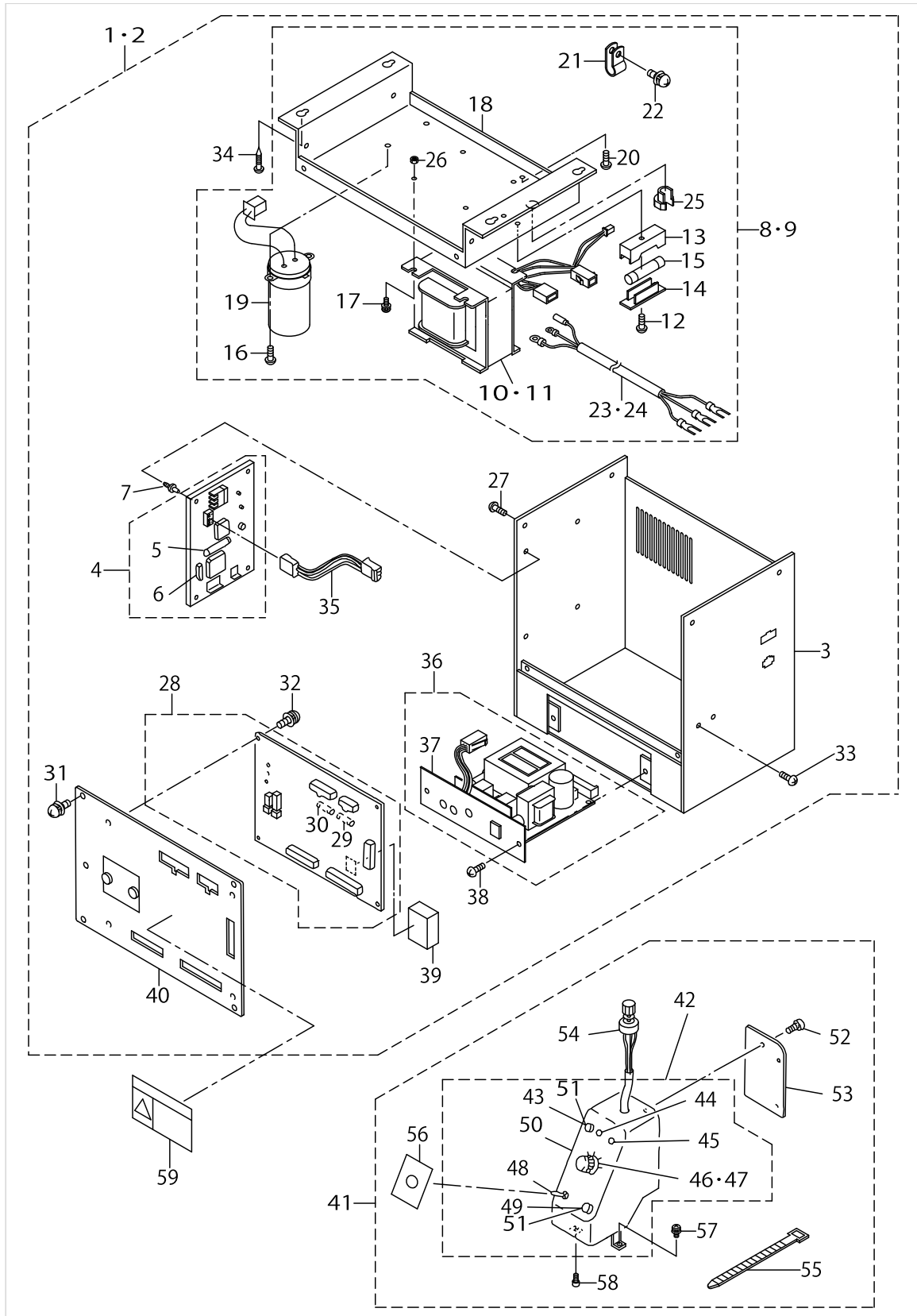
BR CONTROL BOX COMPONENTS (FOR USE IN JAPAN AND GENERAL EXPORT)



BR CONTROL BOX COMPONENTS (FOR USE IN JAPAN AND GENERAL EXPORT)

No.	Supply Code	Parts No.	Replacement	Parts name	Remarks	Choice	Step	Level	Cons	Qty	Rep. QTY
1		40014506		CONTROLBOXBASM.	FOR 220V,240V					1	
2		40014495		CONTROLBOXAASM.	FOR 100V,200V					1	
3	D	GBR107240A0		CONTROL BOX FRAME BODY ASM.				*		1	
4	R	GBR107610A0	40046093	POWER BOARD		A		*		1	1.00
4	R	GBR107610A0	40058552	POWER BOARD		A		*		1	1.00
5		E9613601000		FUSE 2A				*		1	
6		HA002980000		BREAKER 5A				*		1	
7		HX00228000A		SPACER				*		4	
8	D	GBR107460AB		TRANS BASE B COMPLE.	FOR 220V,240V			*		1	
9		GBR107460AA		TRANS BASE A COMPLE.	FOR 100V,200V			*		1	
10		GBR107480AA		TRANS A ASM.	FOR 100V,200V			*		1	
11		GBR107480AB		TRANS B ASM.	FOR 220V,240V			*		1	
12		SM4041001SC		SCREW M4X0.7 L=10				*		1	
13		HF005111000		FUSE HOLDER				*		1	
14	D	HF00511100B		FUSEHOLDERCOVER				*		1	
15		E9613601000		FUSE 2A				*		1	
16		SL4030681SC		SCREW M3 L=6				*		2	
17		SL4041291SC		SCREW M4 L=12				*		4	
18	D	GBR10747000		TRANSFORMER BASE				*		1	
19	R	GBR107430A0	40058552	CONDENSER ASM.		A		*		1	1.00
19	R	GBR107430A0	40046093	CONDENSER ASM.		A		*		1	1.00
20		SL4040891SC		SCREW M4 L=8				*		2	
21		HX00150000B		CABLE CLIP				*		1	
22		SL4030881SC		SCREW M3X8				*		1	
23		GBR107450A0		AC INPUT POWER CABLE CORD ASM.	FOR 100V,200V			*		1	
24	D	GBR107440A0		AC INPUT POWER CABLE CORD ASM.	FOR 220V,240V			*		1	
25		HX000980000		CORD BUSH				*		1	
26		NM6040001SF		NUT M4				*		4	
27		SL4040891SC		SCREW M4 L=8				*		4	
28	R	GBR107510A0	40058552	CPU BOARD ASM.		A	BR-10	*		1	1.00
28	R	GBR107510A0	40049608	CPU BOARD ASM.		A	BR-10	*		1	1.00
28	R	GBR107510A0	40058552	CPU BOARD ASM.		B	BR-35	*		1	1.00
28	R	GBR107510A0	40044386	CPU BOARD ASM.		B	BR-35	*		1	1.00
28	R	GBR107510A0	40063649	CPU BOARD ASM.		C	BR-20,BR-25,BR-30	*		1	1.00
29		HF0084020P0		FUSE 2A				*		1	
30		HF0084063P0		FUSE				*		1	
31		SL4040891SC		SCREW M4 L=8				*		4	
32		SL4030681SC		SCREW M3 L=6				*		4	
33		SL4040891SC		SCREW M4 L=8				*		2	
34		SK3452501SE		SCREW D=4.5 L=25				*		4	
35		GBR107720A0		CPU BOARD POWER CORD ASM.				*		1	
36		GBR107740A0		P/F CONTROLLER ASM.				*		1	
37		GBR10775000		P/F PANEL				*		1	
38		SM5040601SC		SCREW M4X0.7 L=6				*		2	
39		HL008730140		IC				*		1	

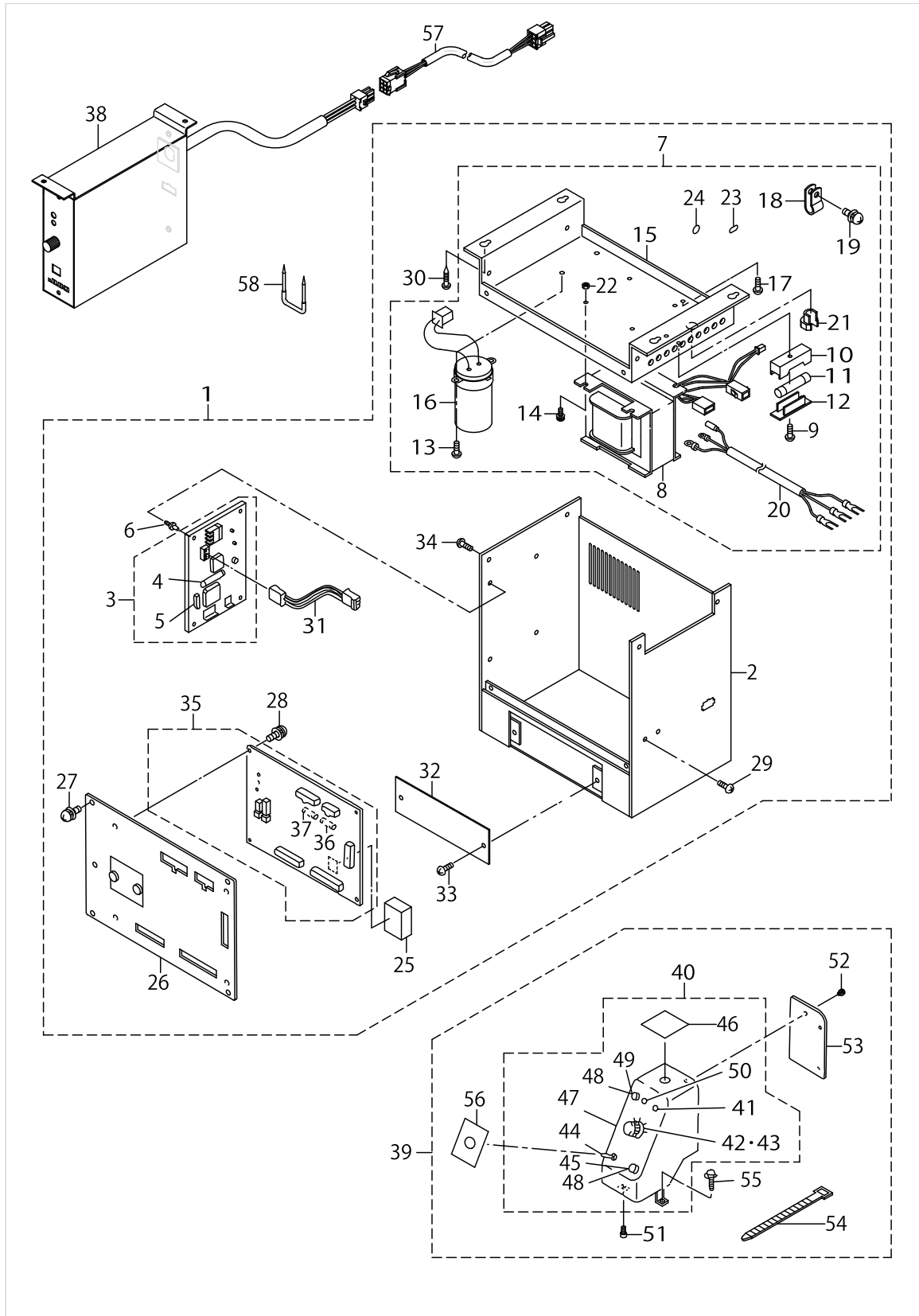
BR CONTROL BOX COMPONENTS (FOR USE IN JAPAN AND GENERAL EXPORT)



BR CONTROL BOX COMPONENTS (FOR USE IN JAPAN AND GENERAL EXPORT)

No.	Supply Code	Parts No.	Replacement	Parts name	Remarks	Choice	Step	Level	Cons	Qty	Rep. QTY
40		GBR207340A0		CONTROL BOX FRAME COVER ASM.				*		1	
41		GBR30784AA0		OPERATION PANEL WHOLE ASM. (A)						1	
42		GBR107850A0		PANEL ASM.				*		1	
43		HA00191001B		OPERATION BUTTON				*		1	
44		HG00291000A		LED (GREEN)				*		1	
45	D	HG002910000		LAMP				*		1	
46		HA002900000		DIP SWITCH				*		1	
47		HX00114000A		KNOB				*		1	
48		MA014506000		SWITCH				*		1	
49		HA00191001C		SWITCH KNOB,BLACK				*		1	
50		GBR10786000		PANEL BOX				*		1	
51		HA001910000		PUSH SWITCH 3 TERMINAL				*		2	
52		SL4030681SC		SCREW M3 L=6				*		3	
53		GBR10782000		PANEL BOX BACK COVER				*		1	
54		GBR107870A0		VOLUME ASM.				*		1	
55		EA9500B0100		CABLE BAND				*		1	
56		GBR30788000		SHEEL				*		1	
57		SL4041091SC		SCREW M4 L=10				*		1	
58		SM6040802TN		SCREW				*		1	
59		CM300100101		DANGER LABEL (SMALL)	FOR USE IN JAPAN					1	

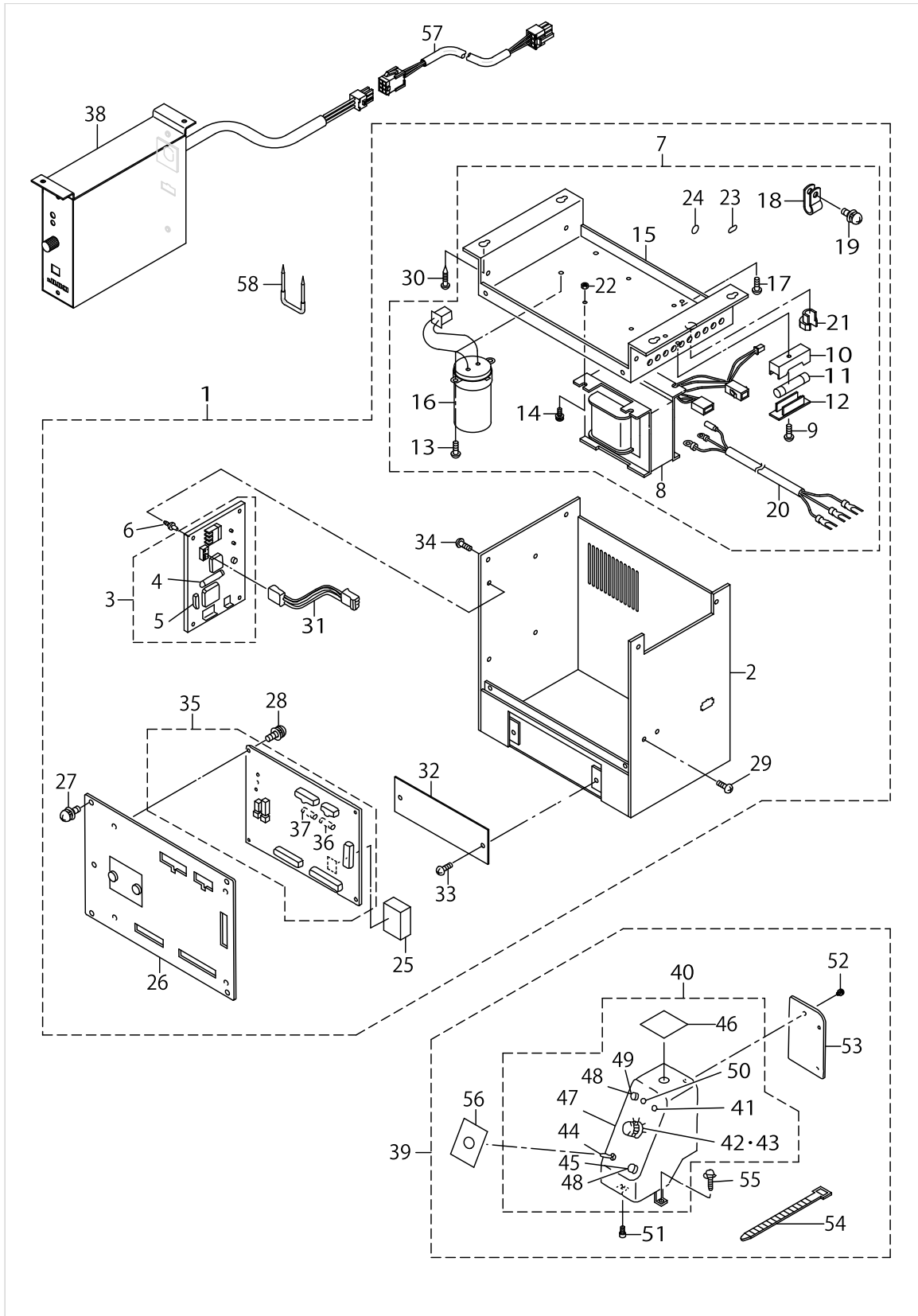
BR CONTROL BOX COMPONENTS (FOR EUROPE)



BR CONTROL BOX COMPONENTS (FOR EUROPE)

No.	Supply Code	Parts No.	Replacement	Parts name	Remarks	Choice	Step	Level	Cons	Qty	Rep. QTY
1		40014526		CONTROLBOXCAS.						1	
2		GBR107240AC		CONTROL BOX FRA- ME BODY C ASM.				*		1	
3	R	GBR107610A0	40046093	POWER BOARD		A		*		1	1.00
3	R	GBR107610A0	40058552	POWER BOARD		A		*		1	1.00
4		E9613601000		FUSE 2A				*		1	
5		HA002980000		BREAKER 5A				*		1	
6		HX00228000A		SPACER				*		4	
7		GBR107460AC		TRANS BASE C COMPLE.				*		1	
8		GBR107480AC		TRANS C ASM.				*		1	
9		SM4041001SC		SCREW M4X0.7 L=10				*		1	
10		HF005111000		FUSE HOLDER				*		1	
11		E9613601000		FUSE 2A				*		1	
12	D	HF00511100B		FUSEHOLDERCOVER				*		1	
13		SL4030681SC		SCREW M3 L=6				*		2	
14		SL4041291SC		SCREW M4 L=12				*		4	
15	D	GBR10747000		TRANSFORMER BASE				*		1	
16	R	GBR107430A0	40058552	CONDENSER ASM.		A		*		1	1.00
16	R	GBR107430A0	40046093	CONDENSER ASM.		A		*		1	1.00
17		SL4040891SC		SCREW M4 L=8				*		3	
18		HX00150000B		CABLE CLIP				*		1	
19		SL4030881SC		SCREW M3X8				*		1	
20	D	GBR107440A0		AC INPUT POWER CABLE CORD ASM.				*		1	
21		HX000980000		CORD BUSH				*		1	
22		NM6040001SF		NUT M4				*		4	
23		CM200100001		PE MARK LABEL				*		1	
24	R	10004109	22901805	GROUND MARK				*		1	1.00
25		HL008730143		IC				*		1	
26		GBR207340A0		CONTROL BOX FRA- ME COVER ASM.				*		1	
27		SL4040891SC		SCREW M4 L=8				*		4	
28		SL4030681SC		SCREW M3 L=6				*		4	
29		SL4040891SC		SCREW M4 L=8				*		2	
30		SK3452501SE		SCREW D=4.5 L=25				*		4	
31		GBR107720A0		CPU BOARD POWER CORD ASM.				*		1	
32		GBR10726000		BLIND PLATE				*		1	
33		SM5040601SC		SCREW M4X0.7 L=6				*		2	
34		SL4040891SC		SCREW M4 L=8				*		4	
35	R	GBR107510A0	40058552	CPU BOARD ASM.		A	BR-10	*		1	1.00
35	R	GBR107510A0	40049608	CPU BOARD ASM.		A	BR-10	*		1	1.00
35	R	GBR107510A0	40058552	CPU BOARD ASM.		B	BR-35	*		1	1.00
35	R	GBR107510A0	40044386	CPU BOARD ASM.		B	BR-35	*		1	1.00
35	R	GBR107510A0	40063649	CPU BOARD ASM.		C	BR-20, BR-25, BR-30	*		1	1.00
36		HF0084020P0		FUSE 2A				*		1	
37		HF0084063P0		FUSE				*		1	
38		GBR108010A0		P/F CONTROLLER ASM.						1	
39		40016644		OPERATION PANEL WHOLE ASM. C						1	

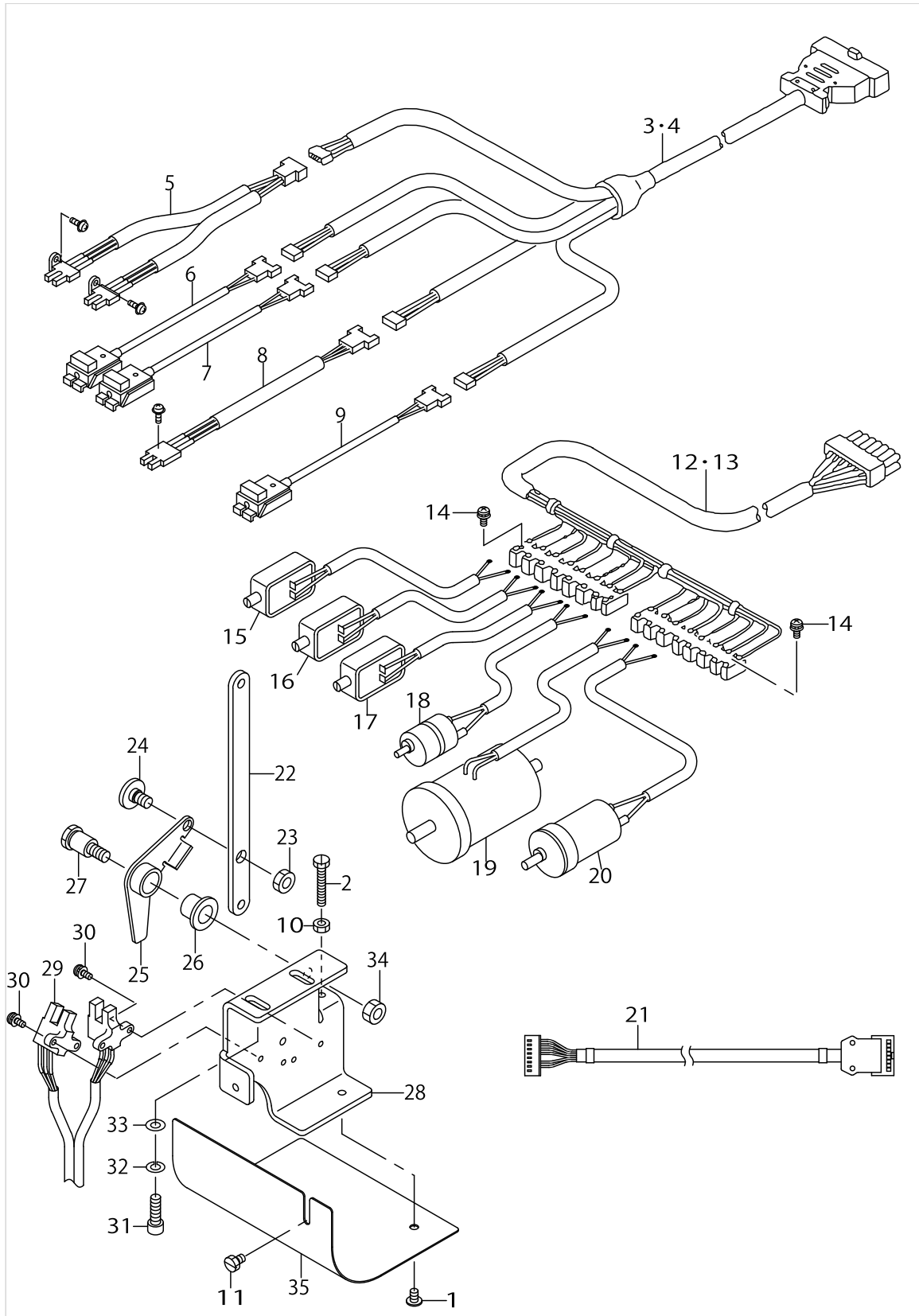
BR CONTROL BOX COMPONENTS (FOR EUROPE)



BR CONTROL BOX COMPONENTS (FOR EUROPE)

No.	Supply Code	Parts No.	Replacement	Parts name	Remarks	Choice	Step	Level	Cons	Qty	Rep. QTY
40		GBR107850AC		PANEL C ASM.				*		1	
41	D	HG002910000		LAMP				*		1	
42		HA002900000		DIP SWITCH				*		1	
43		HX00114000A		KNOB				*		1	
44		MAO14506000		SWITCH				*		1	
45		HA00191001C		SWITCH KNOB,BLACK				*		1	
46		GBR10728000		BLANK STICKER B				*		1	
47		GBR10786000		PANEL BOX				*		1	
48		HA001910000		PUSH SWITCH 3 TERMINAL				*		2	
49		HA00191001B		OPERATION BUTTON				*		1	
50		HG00291000A		LED (GREEN)				*		1	
51		SM6040802TN		SCREW				*		1	
52		SL4030681SC		SCREW M3 L=6				*		3	
53		GBR10782000		PANEL BOX BACK COVER				*		1	
54		EA9500B0100		CABLE BAND				*		1	
55		SL4041091SC		SCREW M4 L=10				*		1	
56		GBR30788000		SHEEL				*		1	
57		GBR250810A0		CABLE ASM.						1	
58		MAO11532000		CORD STAPLE						4	

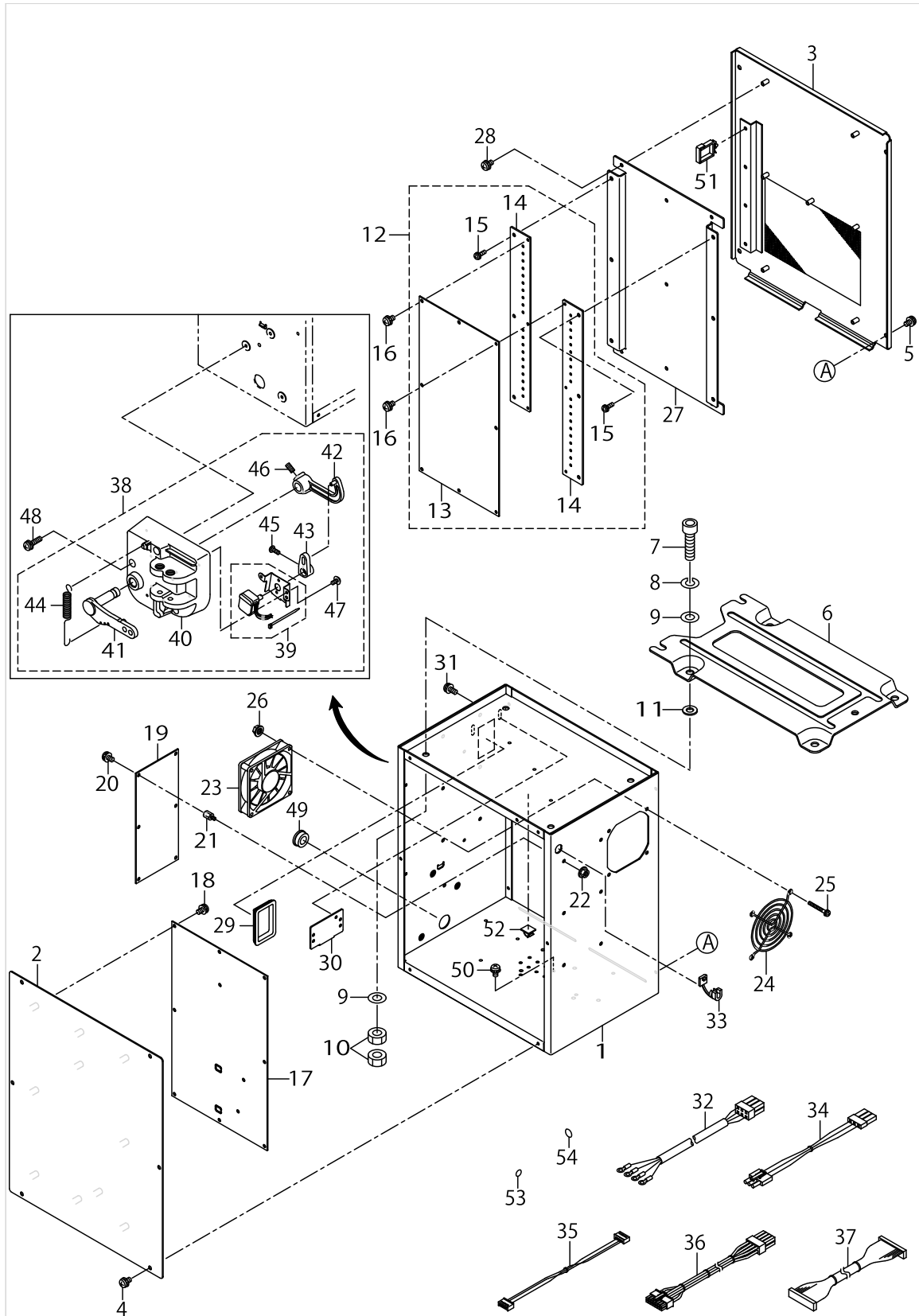
BR POWER SUPPLY COMPONENTS



BR POWER SUPPLY COMPONENTS

No.	Supply Code	Parts No.	Replacement	Parts name	Remarks	Choice	Step	Level	Cons	Qty	Rep. QTY
1		SM0040601SC		SCREW M4X0.7 L=6						1	
2	D	SM9042510SC		SCREW M4X0.7 L=25						1	
3		GBR108460A0		SENSOR CONNECTING CABLE ASM.	FOR USE IN JAPAN AND GENERAL EXPORT					1	
4		GBR108460AC		SENSOR CONNECTING CABLE ASM.	FOR EUROPE					1	
5	R	GBR108420A0	GBR108410B0	START SWITCH ASM.		A	JE以外/Except JE			1	1.00
5	R	GBR108420A0	GBR108410BC	START SWITCH ASM.		B	JE			1	1.00
6		GBR108430A0		RUB COMPLETION SWITCH ASM.						1	
7		GBR108440A0		BUTTON SENSOR SWITCH ASM.						1	
8	R	GBR108470A0	40084371	TURNING ARM HOME POSITION SENSOR ASM.						1	1.00
9		GBR108450A0		INDEX STARTING SWITCH ASM.						1	
10		NM6040001SC		NUT M4						1	
11		SM9040600SP		HEAXGON BOLT						1	
12		GBR108580A0		STARTING MAGNET CABLE ASM.	FOR USE IN JAPAN AND GENERAL EXPORT					1	
13		GBR108580AC		STARTING MAGNET CABLE ASM.	FOR EUROPE					1	
14		SL4030881SC		SCREW M3X8						2	
15		GBR10852000		MAGNET						1	
16		GBR10853000		MAGNET						1	
17		GBR10854000		MAGNET						1	
18		GBR108550A0		DC MOTOR ASM.						1	
19	R	GBR108590A0	HM000670000	DC MOTOR ASM.						1	1.00
20		GBR108560A0		DC MOTOR ASM.						1	
21		40012037		LKA-BR RELAY CABLE ASM.						1	
22		40014219		SWITCH LINK						1	
23		NS6150430SP		NUT 15/64-28						1	
24		SD0700332SP		HINGE SCREW D=7 H=3.5						1	
25		18219907		TWO-STEP SWITCH LEVER						1	
26		16583403		METAL						1	
27		16582504		SCREW						1	
28		16582603		SWITCH BRACKET						1	
29	R	GBR108420A0	GBR108410B0	START SWITCH ASM.		A	JE以外/Except JE			1	1.00
29	R	GBR108420A0	GBR108410BC	START SWITCH ASM.		B	JE			1	1.00
30		SL4030881SC		SCREW M3X8						4	
31		SM6051602TP		SCREW M5X0.8 L=16						2	
32		WS0510002KN		SPRING WASHER						2	
33		WP0531000SC		WASHER 5.3X10X1						2	
34		NM6060001SC		NUT M6						1	
35		16582702		SWITCH COVER						1	

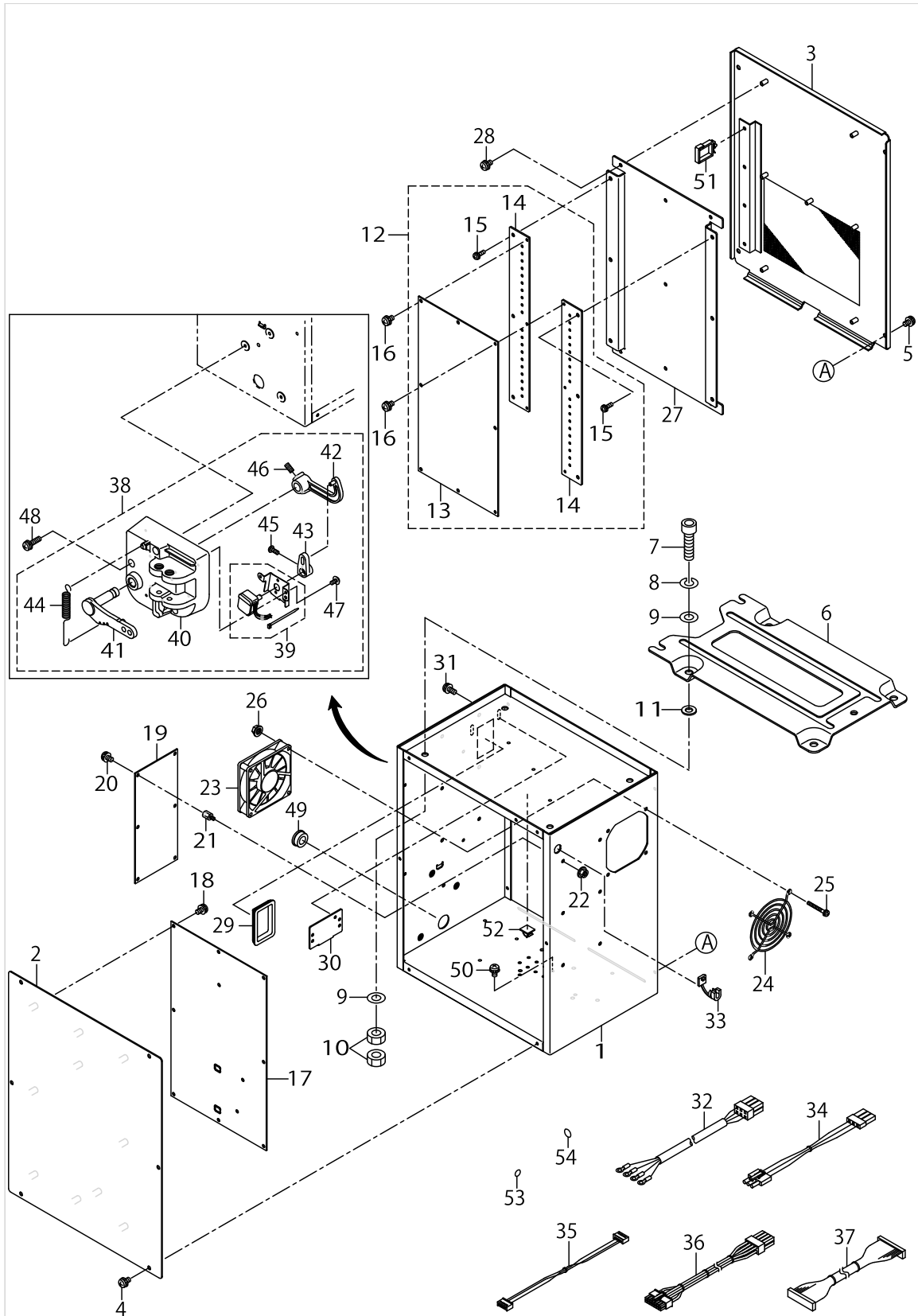
CONTROL BOX COMPONENTS



CONTROL BOX COMPONENTS

No.	Supply Code	Parts No.	Replacement	Parts name	Remarks	Choice	Step	Level	Cons	Qty	Rep. QTY
1		40055355		CONTROL BOX						1	
2		40055356		CONTROL BOX FRONT COVER						1	
3		40055357		CONTROL BOX REAR COVER						1	
4		SL4040891SC		SCREW M4 L=8						6	
5		SL4040891SC		SCREW M4 L=8						4	
6		M3801476000		TRANSMISSION BOX FITTING PLATE						1	
7		SM6083002TN		SCREW M8 L=30						4	
8		WS0820002KR		SPRING WASHER, M8						4	
9		WP0841601SC		WASHER 8.4X17.4X1.6						8	
10		NM6080001SC		NUT M8X1.25						8	
11		M4206461000		WASHER						4	
12		40109107		MAIN PCB ASSY						1	
13		40108917		MAIN PCB				*		1	
14		40005705		MAIN PCB HEAT SINK				*		2	
15		SL4031081SF		SCREW M3 L=10				*		6	
16		SL4040881SC		SCREW M4 L=8						6	
17		40082758		SDC PCB A ASSY						1	
18		SL4040881SC		SCREW M4 L=8						10	
19		40000056		FLT-T PCB A ASS'Y						1	
20		SL4040881SC		SCREW M4 L=8						6	
21		HX003390000		STUD						6	
22		NM3040520SC		NUT M4						6	
23		40005401		FAN MOTOR ASS'Y						1	
24		KM000000480		FAN MOTOR						1	
25		SL4043591SC		SCREW						4	
26		NM3040520SC		NUT M4						4	
27		40005706		MAIN PCB HOLDER PLATE						1	
28		SL4040881SC		SCREW M4 L=8						5	
29		HX004070000		BUSH						1	
30		17845009		CORD FITTING PLATE						1	
31		SL4041091SC		SCREW M4 L=10						2	
32		40005391		POWER CORD 3P ASS'Y						1	
33		HX00410000A		STRAIN RELIEF BUSHING						1	
34		40005393		FLT-SDC CORD P ASS'Y						1	
35		40005394		FLT-SDC CORD S ASS'Y						1	
36		40005726		SDC-MAIN CORD P ASS'Y						1	
37		40005727		SDC-MAIN CORD S ASS'Y						1	
38		40003484		PEDAL SENSOR ASM.						1	
39		40003485		SENSOR FITTING PLATE A ASM.				*		1	
40		M4001461000		PEDAL SENSOR BASE				*		1	
41		M4002461000		PEDAL LEVER				*		1	
42	R	M4004461000	40006204	PEDAL RING				*		1	1.00
43		M4005461000		VOLUME LINK				*		1	
44		M4007351000		FRONT SPRING				*		1	
45		SM4030801SF		SCREW M3X0.5 L=8				*		1	
46		SM8040802TP		SCREW M4X8				*		2	

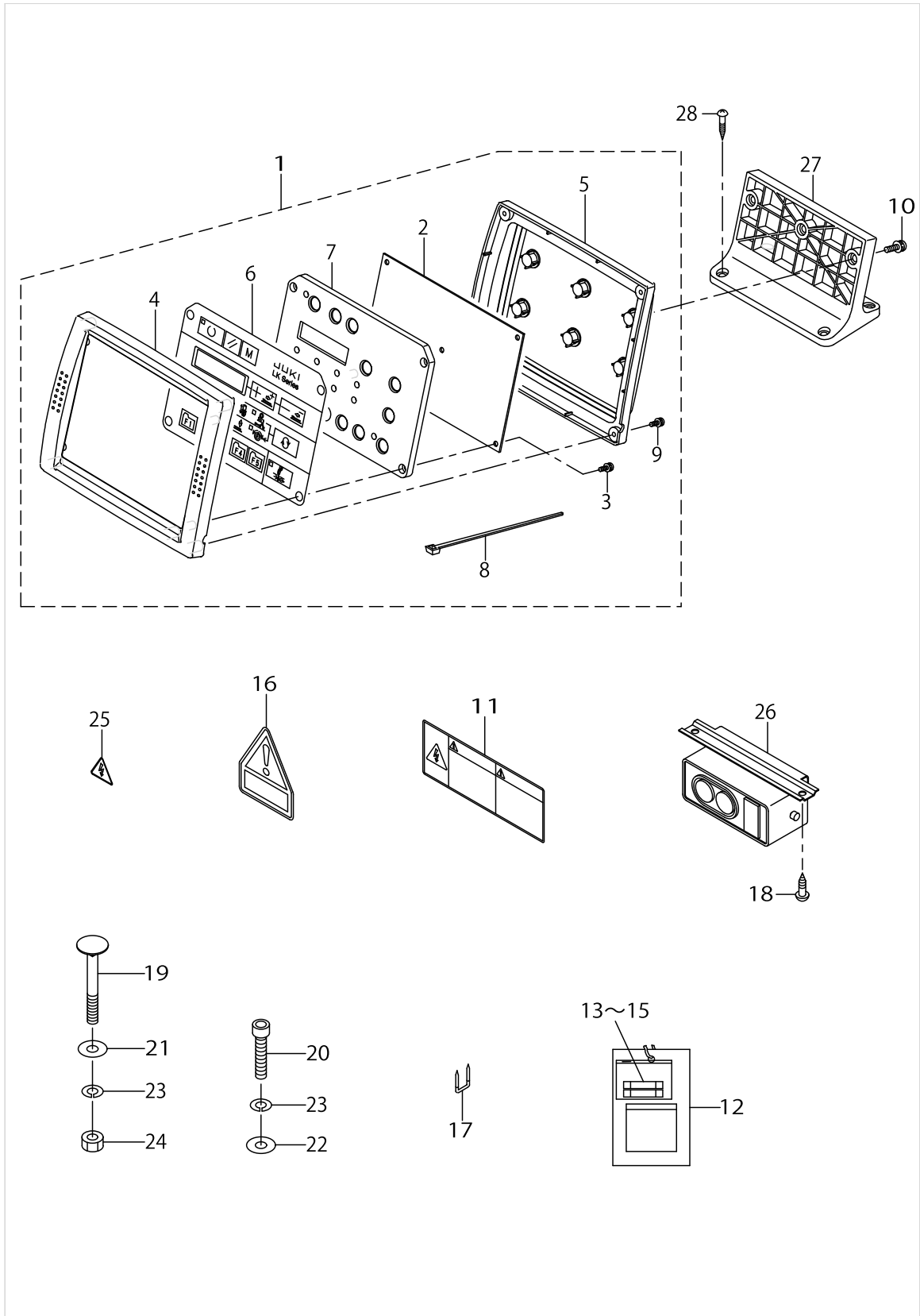
CONTROL BOX COMPONENTS



CONTROL BOX COMPONENTS

No.	Supply Code	Parts No.	Replacement	Parts name	Remarks	Choice	Step	Level	Cons	Qty	Rep. QTY
47		SV4030601SR		SCREW M3 L=6				*		2	
48		SL4041681SF		SCREW M4 L=16						3	
49		HX00188000D		BUSH						1	
50		SL4040891SC		SCREW M4 L=8						2	
51		HX005110000		WIRE SADDLE						3	
52		E9607603000		STICKER (SMALL)						1	
53		E9567319000		EARTH MARK						1	
54		40003458		MASK SEAL						10	

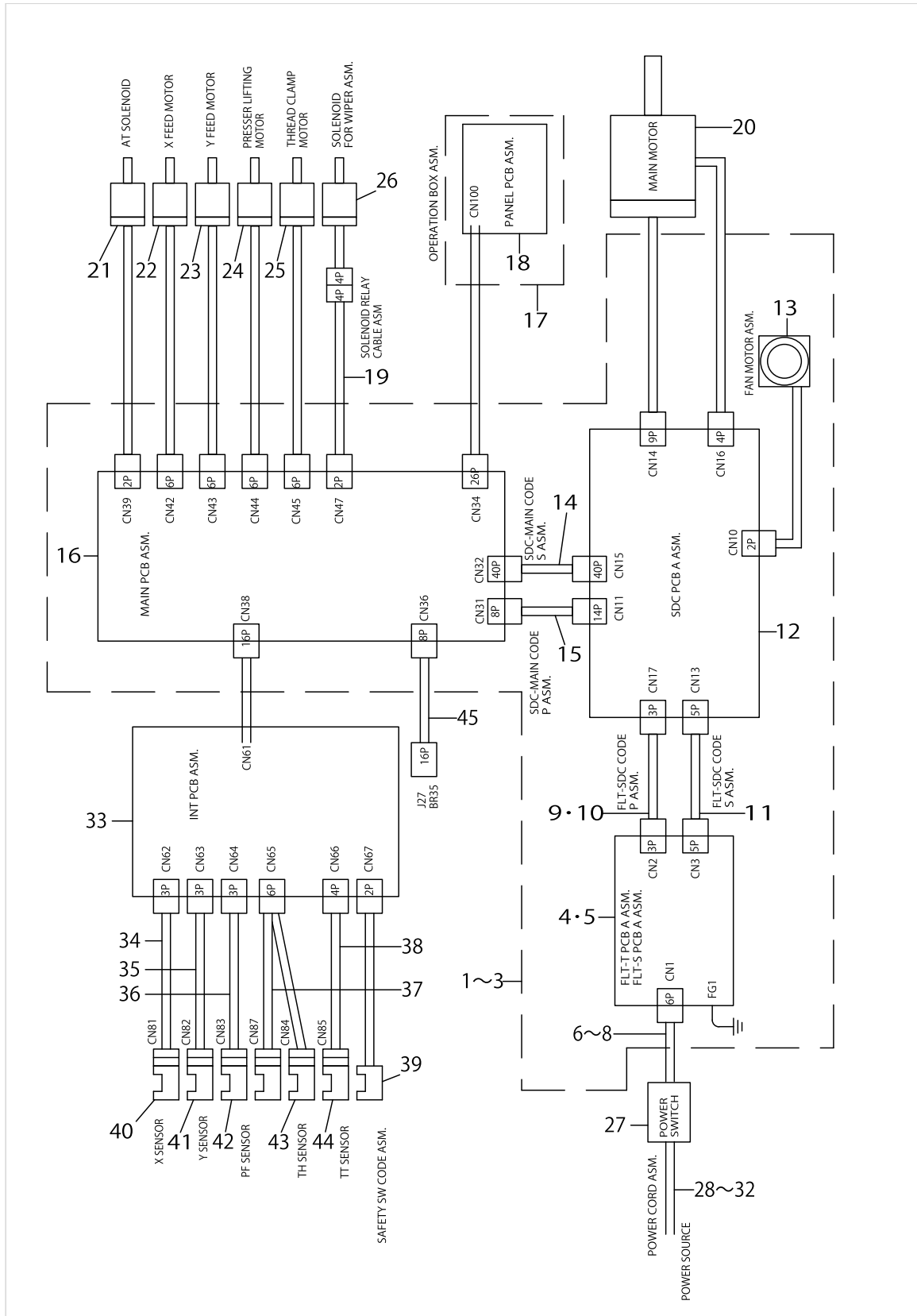
OPERATION PANEL COMPONENTS



OPERATION PANEL COMPONENTS

No.	Supply Code	Parts No.	Replacement	Parts name	Remarks	Choice	Step	Level	Cons	Qty	Rep. QTY
1		40005695		OPERATION BOX A ASM.						1	
2		40005677		PANEL PCB ASS'Y				*		1	
3		SL4031081SC		SCREW M3 X 10				*		4	
4		40005692		OPERATION BOX FRONT CASE				*		1	
5		40005693		OPERATION BOX REAR CASE				*		1	
6		40005691		OPERATION PANEL SHEET				*		1	
7		40005694		PANEL PCB HOLDER PLATE				*		1	
8		EA9500B0100		CABLE BAND				*		1	
9		SL4031081SC		SCREW M3 X 10				*		4	
10		SL4041691SC		SCREW M4 L=16						3	
11		CM300100401		LABEL 3 (LARGE)	FOR 100V(-1-PHASE), 200/220V(3-PHASE)					1	
12		M300451100A		VOLTAGE INDICATION CARD,A						1	
13		HF00130315S		FUSE 3.15A 250V REF. NO.112						1	
14		HF003000200		FUSE 2A (220/240V)						1	
15		HF0013050P0		FUSE 5A						1	
16		CM300400601		VOLTAGE CAUTION LABEL	FOR 220/2-40V(1-PHASE),CE					1	
17		MAO11532000		CORD STAPLE						3	
18		SK3512001SE		WOOD SCREW D=5.1 L=20						2	
19		MTSHJ100003		BOLT						2	
20		SM6084002TN		SCREW M8 L=40						1	
21		WP0852086SC		WASHER M8						2	
22		WP0841601SC		WASHER 8.4X17.4X1.6						1	
23		WS0820002KR		SPRING WASHER, M8						3	
24		NM6080002SC		NUT M8						2	
25		CM300100003		VOLTAGE WARNING LABEL(25)	FOR 220/2-40V(1-PHASE),CE FOR 100V(-1-PHASE), 200/220V(-3-PHASE), 220/240V(1-PHASE)					1	
26		HA004250000		SWITCH						1	
27		40005697		OPERATION BOX FITTING PLATE						1	
28		SK3382001SE		SCREW D=3.8 L=20						4	

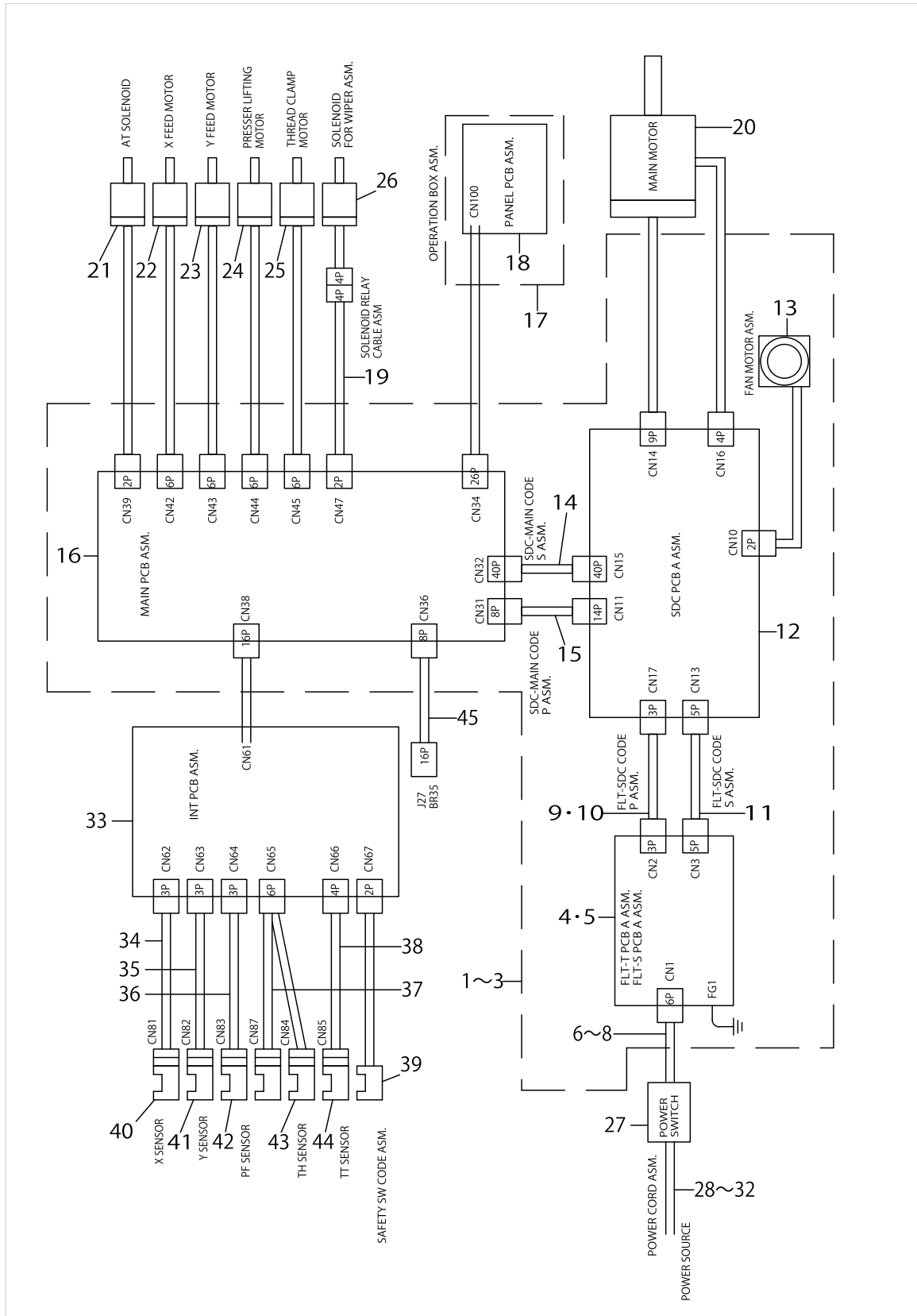
MC-598 WIRING DIAGRAM



MC-598 WIRING DIAGRAM

No.	Supply Code	Parts No.	Replacement	Parts name	Remarks	Choice	Step	Level	Cons	Qty	Rep. QTY
1		40111063		CONTROLBOXAASM.	FOR 100V(-1-PHASE), 200/220V(3-PHASE)					1	
2		40111064		CONTROLBOXBASM.	FOR CE					1	
3		40111065		CONTROLBOXCASM.	FOR 220/2-40V(1-PHASE)					1	
4		40000056		FLT-T PCB A ASS'Y	FOR 100V(-1-PHASE)			*		1	
5	R	40000046	40162838	FLT-S PCB A ASS'Y	FOR 220/2-40V(1-PHASE),CE			*		1	1.00
6		40005391		POWER CORD 3P ASS'Y	FOR 100V(-1-PHASE), 200/220V(3-PHASE)			*		1	
7		40005392		POWER CORD 1P ASS'Y	FOR CE			*		1	
8		40005388		POWER CORD 1P220V ASS'Y	FOR 220/2-40V(1-PHASE)			*		1	
9		40005393		FLT-SDC CORD P ASS'Y	EXCEPT CE			*		1	
10		40012038		REACTOR CORD ASSY	FOR CE			*		1	
11		40005394		FLT-SDC CORD S ASS'Y				*		1	
12		40082758		SDC PCB A ASSY				*		1	
13		40005401		FAN MOTOR ASS'Y				*		1	
14		40005727		SDC-MAIN CORD S ASSY				*		1	
15		40005726		SDC-MAIN CORD P ASSY				*		1	
16		40109107		MAIN PCB ASSY				*		1	
17		40005695		OPERATION BOX A ASM.						1	
18		40005677		PANEL PCB ASSY				*		1	
19		40018355		SOLENOID RELAY CABLE ASM.						1	
20	R	40003470	40052937	AC SERVO MOTOR		A	A:AMS-210E			1	1.00
20	R	40003470	40028015	AC SERVO MOTOR		B	B:LK-1900-A/LBH-1790			1	1.00
21		40006628		AT_SOLENOID						1	
22		40006861		X FEED MOTOR						1	
23	D	40006862		Y FEED MOTOR						1	
24	R	40006863	40125209	PRESSER LIFTING MOTOR						1	1.00
25		40006864		THREAD CLAMP MOTOR						1	
26		14147755		SOLENOID FOR WIPER ASM.						1	
27		HA004250000		SWITCH	EXCEPT CE					1	
28		M90175800A0		POWER CABLE ASM.	FOR 200/2-20V(3-PHASE)					1	
29		M90355800A0		POWER SOURCE CORD ASM.	FOR 100V(-1-PHASE)					1	
30		M90345800A0		GROUND CORD ASM.	FOR 100V(-1-PHASE)					1	
31		40005390		POWER CABLE JE ASM.	FOR CE					1	
32		M90245800A0		POWER CABLE ASM.	FOR 220/2-40V(1-PHASE)					1	
33		40005664		INT PCB ASM.						1	
34		40005730		X SENSOR CABLE ASM.						1	
35		40005731		Y SENSOR CABLE ASM.						1	
36		40005732		PF SENSOR CABLE ASM.						1	
37		40005729		TH SENSOR CABLE ASM.						1	
38		40005733		TT SENSOR CABLE ASM.						1	
39		40005734		SAFETY SW CABLE ASM.						1	
40		HD002230000		PHOTO SENSOR						1	

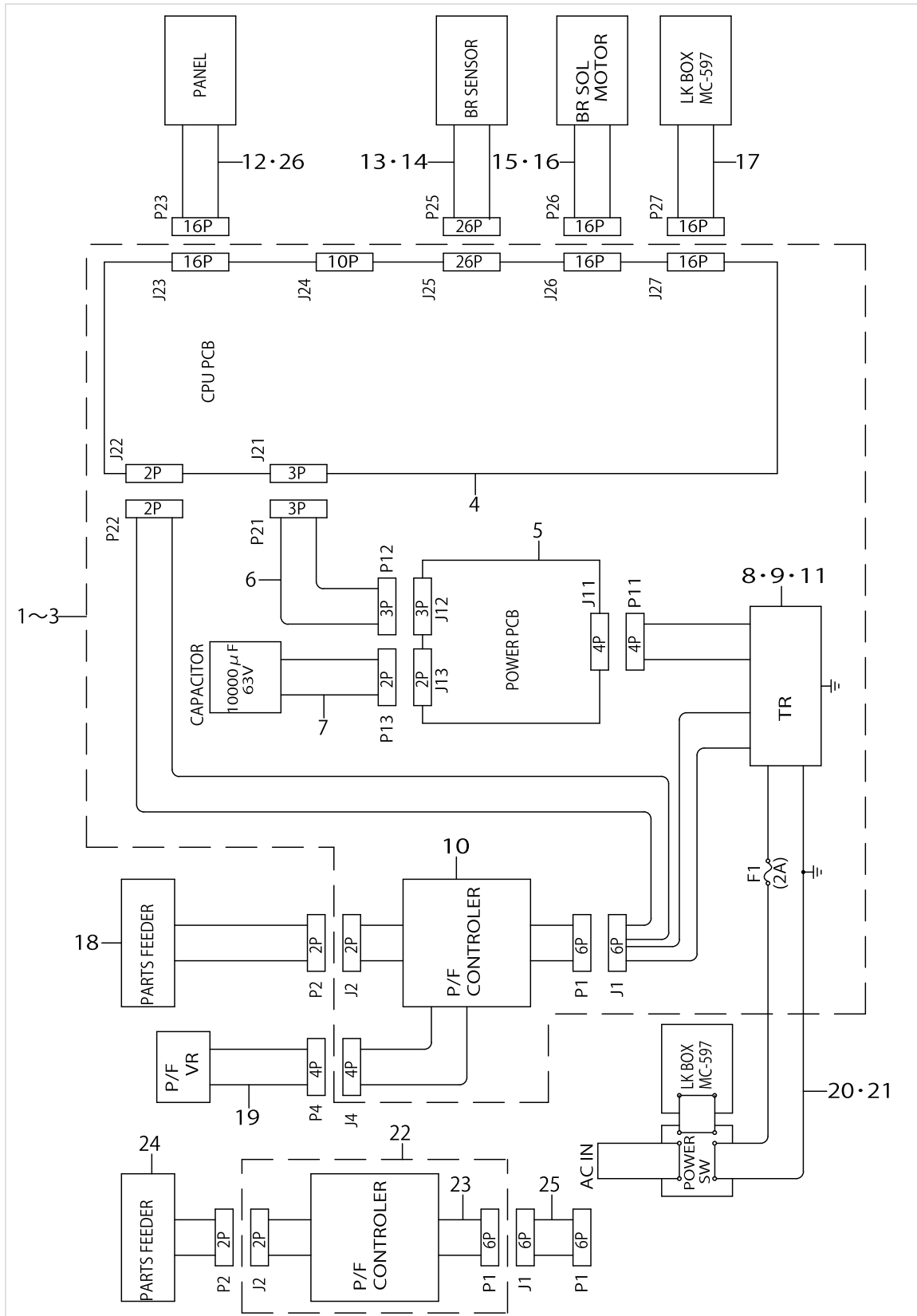
MC-598 WIRING DIAGRAM



MC-598 WIRING DIAGRAM

No.	Supply Code	Parts No.	Replacement	Parts name	Remarks	Choice	Step	Level	Cons	Qty	Rep. QTY
41		HD00057000A		PHOTO SENSOR						1	
42		HD00057000A		PHOTO SENSOR						1	
43		HD00057000A		PHOTO SENSOR						2	
44		HD002230000		PHOTO SENSOR						1	
45		40012037		LKA-BR RELAY CABLE ASM.						1	

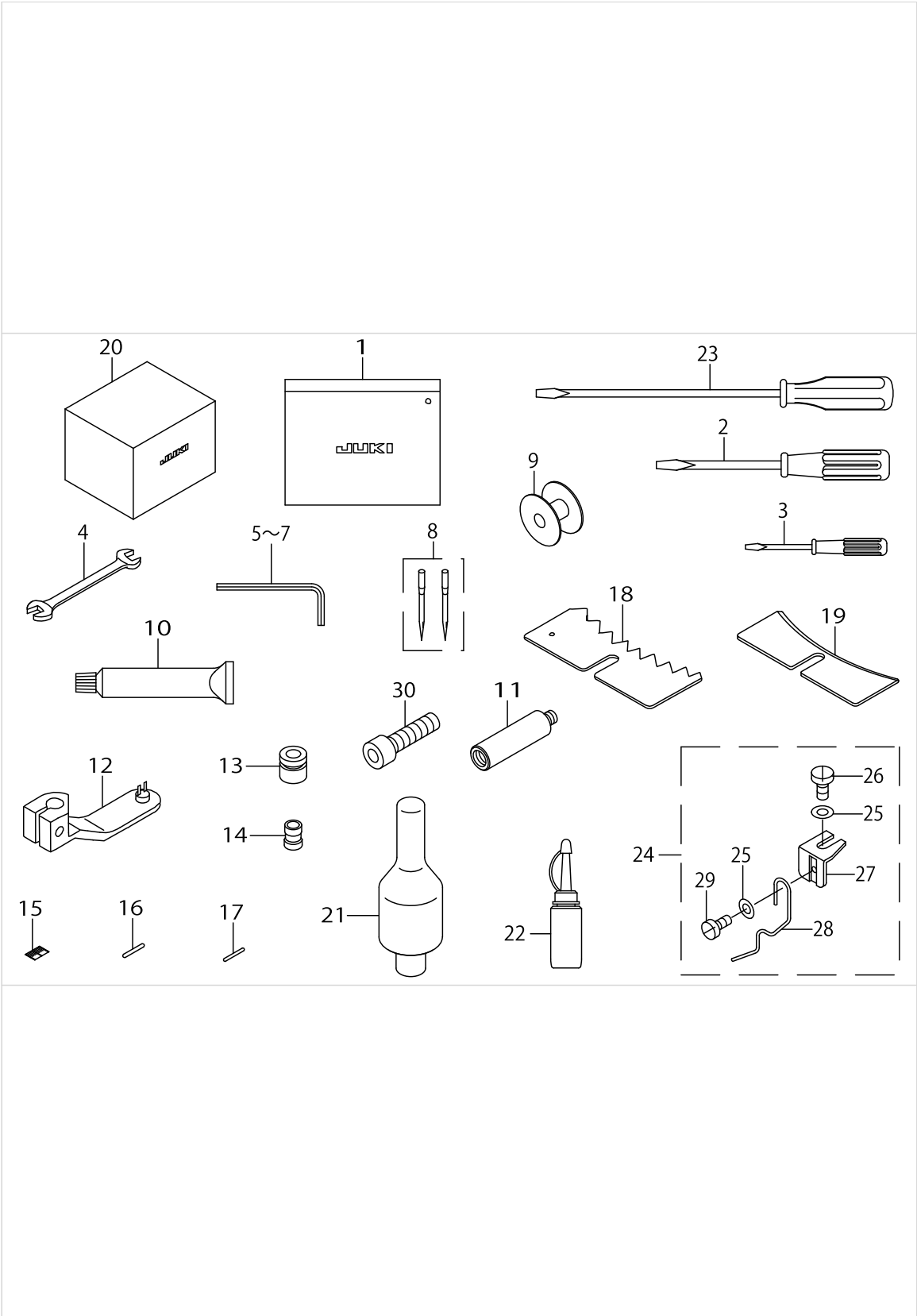
BR35 WIRING DIAGRAM



BR35 WIRING DIAGRAM

No.	Supply Code	Parts No.	Replacement	Parts name	Remarks	Choice	Step	Level	Cons	Qty	Rep. QTY
1		40014495		CONTROLBOXAASM.	FOR 100~200V					1	
2		40014506		CONTROLBOXBASM.	FOR 220~240V					1	
3		40014526		CONTROLBOXCASM.	FOR CE					1	
4	R	GBR107510A0	40058552	CPU BOARD ASM.		A	BR-10	*		1	1.00
4	R	GBR107510A0	40049608	CPU BOARD ASM.		A	BR-10	*		1	1.00
4	R	GBR107510A0	40058552	CPU BOARD ASM.		B	BR-35	*		1	1.00
4	R	GBR107510A0	40044386	CPU BOARD ASM.		B	BR-35	*		1	1.00
4	R	GBR107510A0	40063649	CPU BOARD ASM.		C	BR-20,BR-25,BR-30	*		1	1.00
5	R	GBR107610A0	40046093	POWER BOARD		A		*		1	1.00
5	R	GBR107610A0	40058552	POWER BOARD		A		*		1	1.00
6		GBR107720A0		CPU BOARD POWER CORD ASM.				*		1	
7	R	GBR107430A0	40058552	CONDENSER ASM.		A		*		1	1.00
7	R	GBR107430A0	40046093	CONDENSER ASM.		A		*		1	1.00
8		GBR107480AA		TRANS A ASM.	FOR 100~200V			*		1	
9		GBR107480AB		TRANS B ASM.	FOR 220~240V			*		1	
10		GBR107740A0		P/F CONTROLLER ASM.	EXCEPT CE			*		1	
11		GBR107480AC		TRANS C ASM.	FOR CE			*		1	
12		GBR30784AA0		OPERATION PANEL WHOLE ASM. (A)	EXCEPT CE					1	
13		GBR108410BC		SENSOR CONNECTING CABLE ASM.	FOR CE					1	
14		GBR108410B0		BR SENSOR ASM.	EXCEPT CE					1	
15		GBR108510AC		BR DRIVING SOURCE ASM.	FOR CE					1	
16		GBR108510A0		BR DRIVING SOURCE ASM.	EXCEPT CE					1	
17		40012037		LKA-BR RELAY CABLE ASM.						1	
18		GBR107910A0		PARTS FEEDER ALL ASM.	EXCEPT CE					1	
19		GBR107870A0		VOLUME ASM.	EXCEPT CE					1	
20	D	GBR107440A0		AC INPUT POWER CABLE CORD ASM.	FOR 220~240V,CE					1	
21		GBR107450A0		AC INPUT POWER CABLE CORD ASM.	FOR 100~200V					1	
22		GBR108010A0		P/F CONTROLLER ASM.	FOR CE					1	
23	D	GBR108210A0		P/F POWER CORD ASM.	FOR CE			*		1	
24		GBR107910AC		PARTS FEEDR ALL C ASM.	FOR CE					1	
25		GBR250810A0		P/F CONTROLLER RELAY CABLE ASM.	FOR CE					1	
26		GBR250610AC		OPERATION PANEL WHOLE ASM. C	FOR CE					1	

ACCESSORIE PARTS COMPONENTS



ACCESSORIE PARTS COMPONENTS

No.	Supply Code	Parts No.	Replacement	Parts name	Remarks	Choice	Step	Level	Cons	Qty	Rep. QTY
1		22932800		ACCESSORIE BAG						1	
2		22933105		SCREW DRIVER,MIDDLE						1	
3		22933204		SCREW DRIVER,SMALL						1	
4		B9113012000		WRENCH (9X10)						1	
5		B9140372000		HEXAGONAL WRENCH, SMALL						1	
6		B9141372000		HEXAGONAL WRENCH, LARGE						1	
7		GCT02906000		HEXAGONAL SPANNER						1	
8	R	MDP170B1402	MDP170B1400	NEEDLE DPX17#14-2					☆	1	1.00
9		13812102		BOBBIN						1	
10		40013640		JUKI_GREASE_B_TUBE					☆	1	
11		40036110		GREASE_JOINT_B						1	
12		16558009		BUTTON CARRIER B						1	
13		16558108		RING, SMALL						1	
14		18200501		WORK ATTACHMENT (SMALL)					☆	3	
15		18204701		SCALE						4	
16		GBR01155000		SET PIN A						6	
17		GBR01156000		SET PIN B						4	
18		GBR01423000		SELECTOR PLATE, MEDIUM						1	
19		GBR01437000		AUXILIARY PLATE						1	
20		40048664		HEAD_COVER						1	
21		14101208		HEAD SUPPORT BAR						1	
22		B91212200A0		OILER (CONTAINING NO.2 OIL)						1	
23		22933006		SCREW DRIVER,LARGE						1	
24		14146757		BUTTON RISING BAR ASM.						1	
25		WP0370316SD		WASHER 3.7X8X0.3					*	2	
26		SS9090813TP		SCREW 9/64-40 L=8					*	1	
27		14146807		INSTALLING BASE					*	1	
28		14146708		BUTTON RISING BAR					*	1	
29		SS6080340SP		SCREW 1/8-44 L=2.9					*	1	
30		SM6083002TN		SCREW M8 L=30						1	

HOW TO MAKE USE OF THIS PARTS LIST

- 1.As to "#01" and "#02" refer to the "Note" given at the bottom of the respective pages.
- 2.Codes on the "Qty" column
 - Each numeral indicates the number of parts required.
 - "0.1" and "2.5" indicate the length (in meters) of the respective parts.
- 3.Parentheses mean that the corresponding part is a subpart that constructs an assembly part.
- 4.Dotted lines on the Figures indicate assembly parts.
- 5.As to the parts with marks of "☆"(Consumable parts)and "◎"(optional parts)on the respective parts, it is recommended to prepare spares.

1. リストページの#01、#02の印は、ページ下の"注記"の説明を参照下さい。
2. 数量欄の数字は、個数を表し、0.1、2.5等の数値は、長さ(単位メートル)を表します。
3. 数量欄の()は、組部品を構成している子部品であることを意味します。
4. イラストページの-----枠は、組構成であることを意味します。
5. リストページの"☆"(消耗部品)、“◎”(オプション部品)の印が付いた部品は、予備を準備しておくことをお奨めします。

Other parts list related to this model.

この機種に関するパーツリストとして下記のパーツリストがあります。

LK-1900AN Series(No.1583)

Computer-controlled High-speed Bar-tacking Industrial Sewing Machine.

高速電子門止めミシン

NUMERICAL INDEX OF PARTS

PART NO	PAGE	REF NO.	PART NO	PAGE	REF NO.	PART NO	PAGE	REF NO.
10004109	42	24	16551905	18	16	16566408	24	25
11155108	36	62	16552309	18	21	16566507	24	1
11155207	34	32	16552507	16	1	16566606	24	10
11158300	34	7	16552606	16	10	16567000	24	14
11158409	34	8	16553208	16	21	16567166	24	31
11158516	34	11	16553208	24	5	16567802	24	40
11158607	34	9	16553307	16	22	16567901	24	43
11159001	34	14	16554008	16	20	16568206	26	51
11159506	34	30	16554008	24	38	16568404	28	30
13160304	36	56	16554503	16	30	16568602	30	61
13540901	12	29	16556300	18	44	16568651	30	60
13811906	6	12	16556409	18	43	16568909	28	26
13812003	6	11	16556508	20	52	16569204	30	68
13812102	60	9	16556607	18	34	16569501	28	18
13817754	34	13	16556706	16	14	16569600	28	17
13864509	4	14	16556805	16	25	16570103	28	21
14101208	60	21	16557209	16	4	16570202	28	22
14103352	8	21	16557209	26	68	16570301	28	23
14118152	34	3	16557308	18	15	16570509	30	48
14118251	34	4	16557407	18	4	16570608	30	51
14141402	12	7	16557506	16	29	16570707	28	33
14145106	6	1	16557605	16	34	16570905	28	37
14146104	12	6	16557902	18	9	16571408	30	49
14146203	12	4	16558009	60	12	16571606	30	72
14146302	12	9	16558108	60	13	16571804	28	45
14146708	60	28	16558801	18	17	16571903	28	15
14146757	60	24	16559304	16	31	16572000	26	78
14146807	60	27	16559601	16	35	16572406	24	24
14146906	6	10	16560104	22	14	16572505	24	41
14147607	4	15	16560203	22	32	16572703	28	65
14147755	4	11	16560302	22	21	16572703	30	65
14147755	54	26	16561607	22	15	16573008	28	14
14147805	4	21	16561904	22	25	16573305	24	44
14148407	6	3	16562001	22	18	16573701	28	2
14190052	12	1·2	16562001	28	43	16573909	28	46
14190151	12	1·2	16562100	22	23	16574006	24	18
14190300	12	28	16562308	22	20	16574105	24	3
14190458	12	11·12	16562803	22	4	16574204	26	52
14190557	12	16·17	16562902	22	6	16577009	32	1
14191951	34	2	16565301	26	79	16577207	32	33
16550105	16	38	16565400	26	54	16577306	32	20
16550204	18	42	16565509	26	55	16577405	32	22
16550402	18	40	16565707	24	7	16577504	32	11
16550808	18	3	16565905	24	22	16579203	32	19
16551806	18	30	16566002	24	4	16582504	46	27

NUMERICAL INDEX OF PARTS

PART NO	PAGE	REF NO.	PART NO	PAGE	REF NO.	PART NO	PAGE	REF NO.
16582603	46	28	18213454	28	10	40005401	54	13
16582702	46	35	18213504	28	12	40005664	54	33
16583403	46	26	18217505	24	39	40005677	52	2
16586505	36	49	18217752	16	33	40005677	54	18
17007402	34	10	18217950	22	3	40005691	52	6
17845009	48	30	18218008	30	71	40005692	52	4
18200303	28	29	18218206	16	3	40005693	52	5
18200352	28	27	18218800	18	20	40005694	52	7
18200501	18	19	18218909	24	6	40005695	52	1
18200501	60	14	18219204	24	37	40005695	54	17
18200709	14	52	18219501	28	20	40005697	52	27
18200907	30	64	18219600	28	40	40005705	48	14
18200956	30	63	18219709	16	2	40005706	48	27
18201103	30	53	18219808	16	12	40005726	48	36
18201608	24	27	18219907	46	25	40005726	54	15
18201905	28	6	18222604	34	43	40005727	48	37
18201962	28	1	18227553	22	9	40005727	54	14
18202002	28	7	18227603	14	51	40005729	54	37
18202101	26	76	18227702	16	26	40005730	54	34
18202150	26	74	18227850	16	8	40005731	54	35
18202200	26	77	18227959	18	5	40005732	54	36
18202408	32	23	18228106	36	50	40005733	54	38
18203307	28	4	22891006	8	10	40005734	54	39
18204107	24	34	22932800	60	1	40006475	36	69
18204206	28	16	22933006	60	23	40006525	8	14
18204503	28	25	22933105	60	2	40006532	8	11
18204602	32	9	22933204	60	3	40006534	8	7
18204701	60	15	26037903	36	57	40006535	8	8
18204909	26	75	40000046	54	4·5	40006580	8	22
18205401	18	26	40000056	48	19	40006628	54	21
18205708	18	12	40000056	54	4·5	40006721	8	29
18205906	18	6	40003458	50	54	40006725	8	23·24
18206003	18	1	40003470	54	20	40006726	8	23·24
18206201	20	53	40003484	48	38	40006861	54	22
18206409	18	7	40003485	48	39	40006862	54	23
18206607	18	11	40005388	54	6~8	40006863	54	24
18206706	16	24	40005390	54	28~32	40006864	54	25
18206904	16	36	40005391	48	32	40006923	8	1
18207209	22	11	40005391	54	6~8	40006924	8	2
18207506	22	13	40005392	54	6~8	40006925	8	3
18207902	16	17	40005393	48	34	40006926	8	12
18209007	14	58	40005393	54	9·10	40006927	10	48
18209502	24	35	40005394	48	35	40006935	6	2
18212902	30	50	40005394	54	11	40009859	4	20
18213405	28	11	40005401	48	23	40011949	8	17

NUMERICAL INDEX OF PARTS

PART NO	PAGE	REF NO.	PART NO	PAGE	REF NO.	PART NO	PAGE	REF NO.
40012037	46	21	B24152800A0	8	36	E5006171000	20	57
40012037	56	45	B2416280000	8	35	E9567319000	50	53
40012037	58	17	B2417280000	10	38	E9607603000	50	52
40012038	54	9·10	B2418280000	8	34	E9613601000	38	15
40013452	2	1	B24212800A0	8	33	E9613601000	42	11
40013640	60	10	B242328000A	10	41~45	EA9500B0100	40	55
40014216	34	36	B242328000B	10	41~45	EA9500B0100	44	54
40014217	32	18	B242328000C	10	41~45	EA9500B0100	52	8
40014219	46	22	B242328000D	10	41~45	GBR01120000	22	1
40014220	36	48	B242328000E	10	41~45	GBR01155000	60	16
40014221	36	46	B2424280000	8	32	GBR01156000	60	17
40014240	34	1	B2548372RA0	14	44	GBR01168000	22	17
40014495	38	1·2	B2549372R00	12	35	GBR01175000	18	46
40014495	58	1~3	B2553372000	12	32	GBR014220A0	32	26
40014506	38	1·2	B2560372000	12	33	GBR01423000	60	18
40014506	58	1~3	B2561372000	12	26	GBR01426000	32	2
40014526	42	1	B2619372000	8	18	GBR01428000	32	14
40014526	58	1~3	B3052816000	34	45	GBR01437000	60	19
40016644	42	39	B3125012000	6	8	GBR01441000	32	4
40018334	4	7	B55412050A0	2	2	GBR01601000A	12	42
40018335	4	10	B5542205000	36	63	GBR01606000	12	39
40018355	54	19	B8101210AAB	34	5	GBR01607000	12	40
40036110	60	11	B8105210AAA	34	6	GBR107240A0	38	3
40048664	60	20	B8150210000	34	26	GBR107240AC	42	2
40055355	48	1	B8153771000	34	15	GBR10726000	42	32
40055356	48	2	B8202205000	34	41	GBR10728000	44	46
40055357	48	3	B9113012000	60	4	GBR107430A0	38	19
40082758	48	17	B9121012000	36	54	GBR107430A0	42	16
40082758	54	12	B91212200A0	60	22	GBR107430A0	58	7
40108917	48	13	B9140372000	60	5~7	GBR107440A0	38	23·24
40109107	48	12	B9141372000	60	5~7	GBR107440A0	42	20
40109107	54	16	CM200100001	42	23	GBR107440A0	58	20·21
40111063	54	1~3	CM300100003	52	25	GBR107450A0	38	23·24
40111064	54	1~3	CM300100101	40	59	GBR107450A0	58	20·21
40111065	54	1~3	CM300100401	52	11	GBR107460AA	38	8·9
B1114581000	2	3	CM3002002B1	36	47	GBR107460AB	38	8·9
B1426771000	22	10	CM300400601	52	16	GBR107460AC	42	7
B1649161000	20	64	D2431555B00	36	61	GBR10747000	38	18
B185351200E	8	19	D2527232D00	6	9	GBR10747000	42	15
B1903552000	8	13	D2548232D00	12	30	GBR107480AA	38	10·11
B1908505000	8	4	D2572M1YC0F	14	45	GBR107480AA	58	8·9·11
B210220500A	4	8	D3130M1YC00	12	21	GBR107480AB	38	10·11
B2107816000	30	56	D6042555B00	32	37	GBR107480AB	58	8·9·11
B2107816000A	24	8	D8113555B00	34	16	GBR107480AC	42	8
B24142800A0	8	37	D8204555D00	34	33	GBR107480AC	58	8·9·11

NUMERICAL INDEX OF PARTS

PART NO	PAGE	REF NO.	PART NO	PAGE	REF NO.	PART NO	PAGE	REF NO.
GBR107510A0	38	28	GBR10854000	26	56	HA004250000	52	26
GBR107510A0	42	35	GBR10854000	46	17	HA004250000	54	27
GBR107510A0	58	4	GBR108550A0	20	50	HD000360000	22	28
GBR107610A0	38	4	GBR108550A0	46	18	HD00057000A	56	43
GBR107610A0	42	3	GBR108560A0	30	47	HD002230000	54	44
GBR107610A0	58	5	GBR108560A0	46	20	HD002230000	56	44
GBR107720A0	38	35	GBR108580A0	46	12·13	HF00130315S	52	13~15
GBR107720A0	42	31	GBR108580AC	46	12·13	HF0013050P0	52	13~15
GBR107720A0	58	6	GBR108590A0	22	27	HF003000200	52	13~15
GBR107740A0	38	36	GBR108590A0	46	19	HF005111000	38	13
GBR107740A0	58	10	GBR11109000	20	54	HF005111000	42	10
GBR10775000	38	37	GBR11110000	20	51	HF00511100B	38	14
GBR10782000	40	53	GBR11111000	20	55	HF00511100B	42	12
GBR10782000	44	53	GBR11112000	18	24	HF0084020P0	38	29
GBR107850A0	40	42	GBR11113000	20	66	HF0084020P0	42	36
GBR107850AC	44	40	GBR11114000	20	56	HF0084063P0	38	30
GBR10786000	40	50	GBR11115000	20	62	HF0084063P0	42	37
GBR10786000	44	47	GBR207340A0	40	40	HG002910000	40	45
GBR107870A0	40	54	GBR207340A0	42	26	HG002910000	44	41
GBR107870A0	58	19	GBR25003000	14	59	HG00291000A	40	44
GBR10791000	32	35	GBR25004000	14	57	HG00291000A	44	50
GBR107910A0	32	31	GBR25005000	16	41	HK004440020	32	36
GBR107910A0	58	18	GBR25006000	36	58	HK004490020	32	32
GBR107910AC	58	24	GBR25010000	36	71	HL008730140	38	39
GBR108010A0	42	38	GBR250610AC	58	12·26	HL008730143	42	25
GBR108010A0	58	22	GBR250810A0	44	57	HX000980000	38	25
GBR108210A0	58	23	GBR250810A0	58	25	HX000980000	42	21
GBR108410B0	58	13·14	GBR30784AA0	40	41	HX00114000A	40	46·47
GBR108410BC	58	13·14	GBR30784AA0	58	12·26	HX00114000A	44	42·43
GBR108420A0	46	29	GBR30788000	40	56	HX00123000C	4	3
GBR108430A0	24	20	GBR30788000	44	56	HX00150000B	38	21
GBR108430A0	46	6	GBR308650A0	36	65	HX00150000B	42	18
GBR108440A0	26	72	GCT02906000	60	5~7	HX00188000D	50	49
GBR108440A0	46	7	GPF060600A0	34	18	HX00228000A	38	7
GBR108450A0	30	66	GPF06080000	34	17	HX00228000A	42	6
GBR108450A0	46	9	HA001910000	40	51	HX003390000	34	44
GBR108460A0	46	3·4	HA001910000	44	48	HX003390000	48	21
GBR108460AC	46	3·4	HA00191001B	40	43	HX00339000B	36	52
GBR108470A0	46	8	HA00191001B	44	49	HX004070000	48	29
GBR108510A0	58	15·16	HA00191001C	40	49	HX00410000A	48	33
GBR108510AC	58	15·16	HA00191001C	44	45	HX005110000	50	51
GBR10852000	16	6	HA002900000	40	46·47	KM000000480	48	24
GBR10852000	46	15	HA002900000	44	42·43	M300451100A	52	12
GBR10853000	26	50	HA002980000	38	6	M3801476000	48	6
GBR10853000	46	16	HA002980000	42	5	M4001461000	48	40

NUMERICAL INDEX OF PARTS

PART NO	PAGE	REF NO.	PART NO	PAGE	REF NO.	PART NO	PAGE	REF NO.
M4002461000	48	41	NM6050001SC	22	7	SK3483201SE	34	35
M4004461000	48	42	NM6060001SC	32	5	SK3512001SE	52	18
M4005461000	48	43	NM6060001SC	34	40	SL4030681SC	38	52
M4007351000	48	44	NM6060001SC	46	34	SL4030681SC	40	52
M4206461000	48	11	NM6080001SC	32	27	SL4030681SC	42	52
M90175800A0	54	28~32	NM6080001SC	48	10	SL4030681SC	44	52
M90245800A0	54	28~32	NM6080002SC	52	24	SL4030881SC	28	5
M90345800A0	54	28~32	NM6080721SE	34	25	SL4030881SC	38	22
M90355800A0	54	28~32	NM6120003SE	34	27	SL4030881SC	42	19
M964051000A	36	67	NS6080210SP	12	41	SL4030881SC	46	30
MAO11532000	36	55	NS6090310SP	12	43	SL4031081SC	22	29
MAO11532000	44	58	NS6110310SP	4	23	SL4031081SC	52	9
MAO11532000	52	17	NS6110360SP	20	65	SL4031081SF	48	15
MAO14506000	40	48	NS6120310SP	4	19	SL4040881SC	48	28
MAO14506000	44	44	NS6150310SP	12	31	SL4040891SC	38	33
MAZ088270A0	12	38	NS6150430SP	46	23	SL4040891SC	42	34
MAZ08828000	12	20	RC2500001KP	22	2	SL4040891SC	48	50
MAZ08829000	12	14	RE0200000K0	16	5	SL4040891SC	50	50
MAZ15502000	6	4·5	RE0200000K0	26	69	SL4041091SC	4	4
MAZ15514000	12	3	RE0250000K0	24	42	SL4041091SC	36	66
MAZ15515000	12	27	RE0700000K0	12	8	SL4041091SC	40	57
MAZ15601000	8	30·31	RE1200000K0	24	19	SL4041091SC	44	55
MAZ15602000	6	4·5	SB104001600	8	6	SL4041091SC	48	31
MAZ15801000	8	30·31	SB108002200	8	5	SL4041291SC	38	17
MAZ16522000	12	10	SB108002300	8	9	SL4041291SC	42	14
MAZ166070A0	12	15	SB110000400	28	42	SL4041681SF	50	48
MAZ166070B0	12	11·12	SB115000400	16	15	SL4041691SC	52	10
MAZ166080A0	12	18	SD0500091TP	10	40	SL4043591SC	48	25
MAZ166080B0	12	16·17	SD0500301SP	12	36	SL9082091SE	34	12
MDP170B1400	8	15	SD0550303TP	12	34	SM0040601SA	36	53
MDP170B1402	60	8	SD0600181TP	4	16	SM0040601SC	24	2
MTSHJ100003	52	19	SD0600341TP	16	7	SM0040601SC	28	3
NM3040520SC	48	26	SD0600401TP	16	11	SM0040601SC	32	34
NM6040001SC	18	47	SD0600651TP	20	58	SM0040601SC	46	1
NM6040001SC	20	47	SD0601021SP	16	13	SM0861201SA	24	73
NM6040001SC	22	5	SD0640261SP	4	17	SM0861201SA	26	73
NM6040001SC	24	66	SD0640391TP	12	25	SM0861201SA	30	67
NM6040001SC	26	66	SD0700332SP	46	24	SM1031401SC	20	63
NM6040001SC	28	24	SD0791271SP	8	20	SM1040601SC	30	70
NM6040001SC	46	10	SK3311601SE	34	64	SM1040650TP	10	47
NM6040001SF	38	26	SK3311601SE	36	64	SM1041201SC	30	69
NM6040001SF	42	22	SK3382001SE	36	68	SM4030601SN	32	25
NM6040003SC	4	12	SK3382001SE	52	28	SM4030801SF	48	45
NM6050001SC	16	23	SK3452501SE	38	34	SM4040801SN	32	12
NM6050001SC	18	14	SK3452501SE	42	30	SM4041001SC	38	12

NUMERICAL INDEX OF PARTS

PART NO	PAGE	REF NO.	PART NO	PAGE	REF NO.	PART NO	PAGE	REF NO.
SM4041001SC	42	9	SM6062002TP	22	33	SS9151120CP	14	54
SM4051001SN	32	15	SM6062502TP	36	59	SS9621413SP	12	23
SM4860501SC	28	8	SM6063002TP	16	27	SV4030601SR	50	47
SM5040601SC	38	38	SM6066552TP	34	37	TA1250705R0	4	2
SM5040601SC	42	33	SM6083002TN	48	7	WP0280500SC	28	9
SM5040855SN	6	13	SM6083002TN	60	30	WP0320500SC	30	59
SM5040855SN	36	70	SM6084002TN	52	20	WP0320500SC	32	24
SM6030500SN	10	46	SM8030402TP	24	30	WP0370316SD	60	25
SM6030602TP	14	53	SM8040402TP	22	30	WP0430800SC	16	16
SM6030802TP	28	57	SM8040402TP	30	52	WP0430800SC	18	49
SM6030802TP	30	57	SM8040602TP	16	32	WP0430800SC	20	49
SM6031202TP	18	8	SM8040602TP	18	18	WP0430800SC	24	65
SM6031402TP	18	38	SM8040602TP	22	22	WP0430800SC	26	65
SM6040650TP	4	1	SM8040802TP	48	46	WP0430800SC	28	36
SM6040802TN	40	58	SM8042502TP	24	11	WP0430800SC	32	13
SM6040802TN	44	51	SM8050502TP	28	13	WP0430801SC	20	59
SM6040802TP	16	39	SM8050602TP	16	9	WP0450801SD	4	5
SM6040802TP	26	63	SM8050602TP	18	2	WP0450801SD	32	29
SM6040802TR	24	13	SM8050602TP	22	26	WP0450846SP	8	25
SM6040802TR	28	34	SM8050602TP	28	44	WP0501016SD	6	7
SM6041002TP	18	31	SM8050612TP	16	42	WP0501016SD	12	24
SM6041002TP	24	47	SM8050612TP	22	12	WP0531000SC	32	30
SM6041002TP	26	47	SM8050812TP	22	16	WP0531000SC	46	33
SM6041002TP	30	55	SM8050842TP	22	31	WP0531000SD	14	48
SM6041202TP	14	56	SM8086012TP	32	10	WP0611626SP	36	60
SM6041202TP	18	27	SM9040600SP	46	11	WP0612056SD	34	38
SM6041202TP	24	62	SM9042510SC	46	2	WP0612516SD	14	55
SM6041202TP	26	62	SM9061203SE	34	19	WP0621036SP	36	72
SM6041202TP	28	38	SM9082023SE	34	22	WP0641600SC	22	19
SM6041402TP	18	35	SM9086523SE	34	31	WP0641600SC	26	53
SM6042002TP	18	23	SS1060210TP	10	39	WP0641600SC	32	6
SM6042502TP	18	41	SS4110815SP	32	3	WP0651646SC	34	39
SM6050802TP	16	37	SS6080340SP	60	29	WP0671016SE	34	20
SM6051202TP	14	60	SS6110430TP	8	27	WP0841601SC	32	28
SM6051202TP	28	54	SS6111052TP	18	25	WP0841601SC	48	9
SM6051202TP	30	54	SS7060310SP	4	22	WP0841601SC	52	22
SM6051402TP	18	10	SS7090410SP	8	28	WP0852086SC	52	21
SM6051602TP	14	50	SS7090410SP	12	19	WP0871602SE	34	28
SM6051602TP	28	41	SS7091480SP	12	37	WS0310002KN	18	39
SM6051602TP	46	31	SS7110740TP	8	26	WS0310002KN	30	58
SM6052002TP	28	31	SS7111120TP	4	9	WS0410002KN	14	49
SM6052502TP	16	18	SS9090813TP	60	26	WS0410002KN	16	40
SM6061202TP	14	46	SS9091010SP	12	5	WS0410002KN	18	60
SM6061602TP	26	70	SS9110460CP	12	22	WS0410002KN	20	60
SM6061802TP	8	16	SS9110543CP	6	6	WS0410002KN	24	67

NUMERICAL INDEX OF PARTS

PART NO	PAGE	REF NO.
WS0410002KN	26	67
WS0410002KN	28	35
WS0410002KN	36	51
WS0410002KS	4	13
WS0451040KP	4	6
WS0510002KN	16	19
WS0510002KN	46	32
WS0510002KP	14	62
WS0510002KS	18	13
WS0610002KN	16	28
WS0610002KN	22	34
WS0610002KN	26	71
WS0610002KN	32	7
WS0621210KR	34	21
WS0820002KR	48	8
WS0820002KR	52	23
WS0861410KR	34	29
WZ0640200KP	4	18