

MODEL : MEB-3810

List No : 1593-06

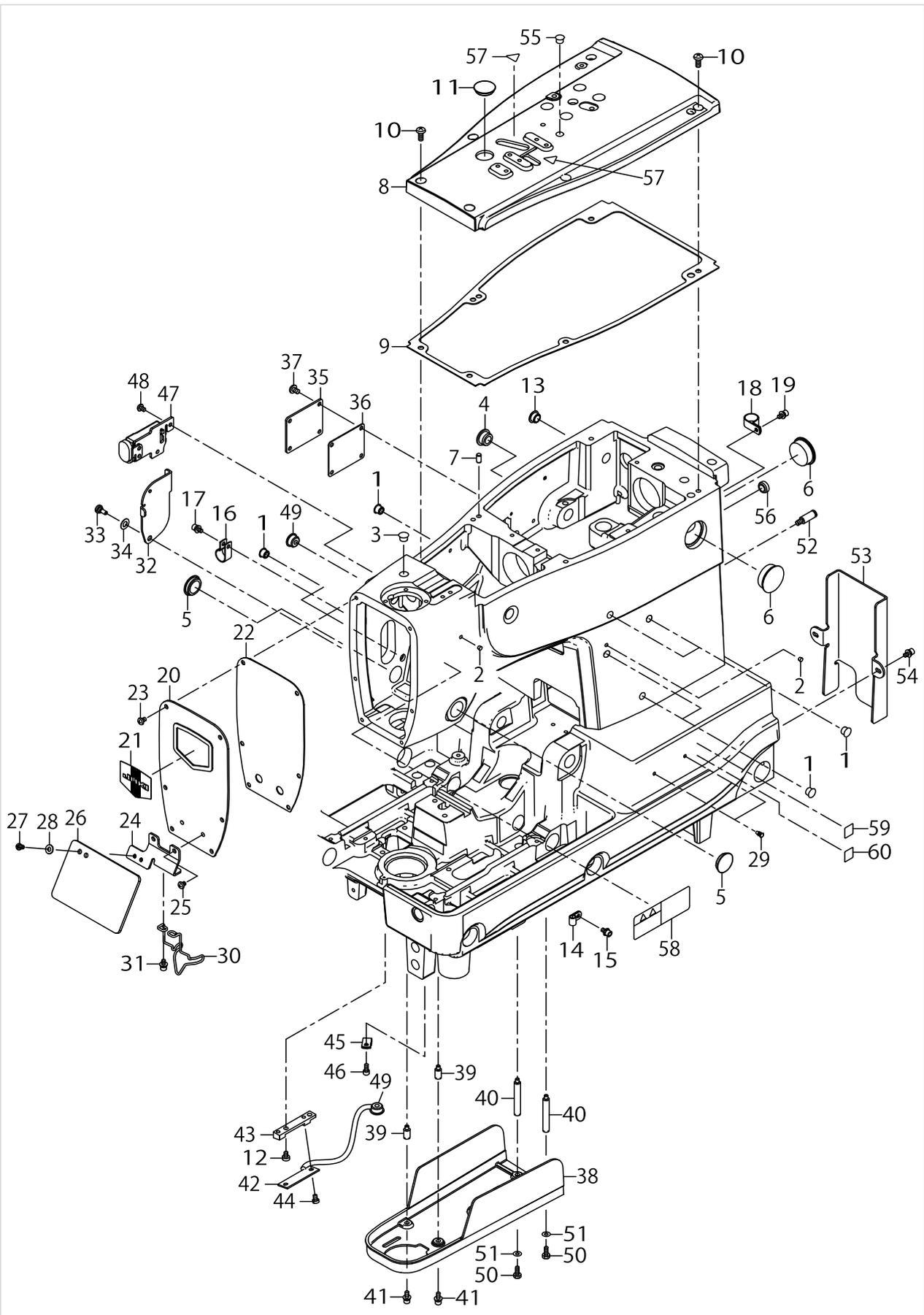
PARTS LIST

Published:05/12/2017

CONTENTS

FRAME & MISCELLANEOUS COVER COMPONENTS(1).....	1
FRAME & MISCELLANEOUS COVER COMPONENTS(2).....	5
BOTTOM COVER COMPONENTS.....	9
FEED COMPONENTS.....	15
CLOTH OPEN COMPONENTS.....	19
LOWER THREAD CUTTING COMPONENTS (TYPE 01).....	23
UPPER THREAD CUTTING COMPONENTS.....	25
PRESSER COMPONENTS (1).....	27
PRESSER COMPONENTS (2).....	29
PRESSER COMPONENTS (COMMON).....	31
REVOLUTION COMPONENTS.....	35
LOOPER DRIVING COMPONENTS.....	39
LOWER SHAFT COMPONENTS.....	43
UPPER SHAFT COMPONENTS.....	47
VERTICAL SHAFT COMPONENTS.....	49
NEEDLE BAR ROCKING COMPONENTS.....	51
NEEDLE BAR COMPONENTS.....	53
THREAD TAKE-UP LEVER COMPONENTS.....	55
LOWER THREAD HAUL COMPONENTS.....	57
UPPER THREAD HAUL COMPONENTS.....	59
GIMP HAUL COMPONENTS.....	61
CLOTH CUTTING COMPONENTS.....	63
UPPER THREAD CLAMP UNIT.....	67
LUBRICATION MECHANISM COMPONENTS.....	71
AIR COMPONENTS.....	75
OPERATION BOX COMPONENTS.....	77
TRANSMISSION COMPONENTS.....	79
WIRING DIAGRAM.....	83
ACCESSORY PARTS COMPONENTS.....	87
TABLE COMPONENTS.....	91
OPTION COMPONENTS.....	93
TABLE OF EXCHANGING GAUGE PARTS (1).....	95
TABLE OF EXCHANGING GAUGE PARTS (2).....	97
TABLE OF EXCHANGING GAUGE PARTS (3).....	99
LIST FOR INFORMATION OF CHANGE.....	101
HOW TO MAKE USE OF THIS PARTS LIST.....	102

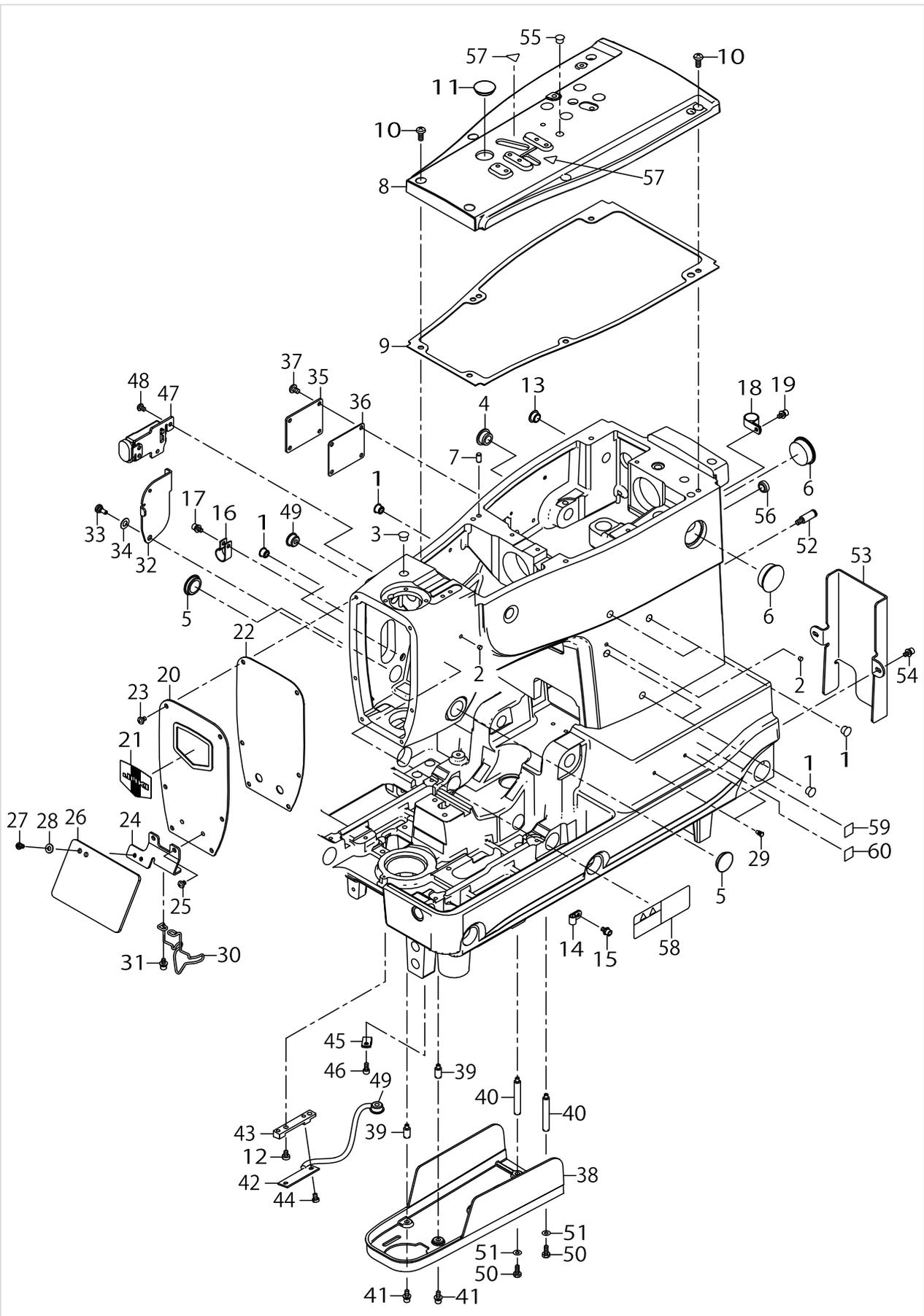
FRAME & MISCELLANEOUS COVER COMPONENTS(1)



FRAME & MISCELLANEOUS COVER COMPONENTS(1)

No.	Supply Code	Parts No.	Replacement	Parts name	Remarks	Choice	Step	Level	Cons	Qty	Rep. QTY
1		TA0850604R0		RUBBER PLUG						6	
2		TA0370301R0		PLUG D=3.7X4.4 L=3						2	
3		TA1050504R0		RUBBER PLUG						1	
4		TA1470704R0		RUBBER PLUG						1	
5		TA2050406R0		RUBBER PLUG						2	
6		B3501210000		OIL GAUGE						2	
7		PH0500102C0		PIN M5 L=10						1	
8		40115110		TOP COVER						1	
9		40115112		TOPCOVERPACKING						1	
10		SM4051255SP		SCREW M5 L=12						6	
11		TA2050406R0		RUBBER PLUG						1	
12		SM6040610SC		SCREW M4X0.7 L=6						2	
13		TA1250406R0		RUBBER PLUG D=12.5 L=4						1	
14		HX00150000A		CABLE CLAMP						1	
15		SL6040892TN		BOLT						1	
16		HX00150000F		CABLE CLIP						1	
17		SL6040892TN		BOLT						1	
18		HX00150000H		CABLE CLIP						1	
19		SL6040892TN		BOLT						1	
20		40115113		FACE COVER						1	
21		22902506		FACE PLATE						1	
22		40115115		FACE COVER PACKING						1	
23		SM4040655SP		SCREW M4 L=6						6	
24		40115119		SAFETY PLATE BRACKET						1	
25		SM4040655SP		SCREW M4 L=6						2	
26		26037200		SAFETY PLATE						1	
27		SM4040655SP		SCREW M4 L=6						2	
28		WP0450826SC		WASHER 4.5X10X0.8						2	
29	D	11001005		SCREW						2	
30		40115120		FINGER GUARD						1	
31		SL6040892TN		BOLT						2	
32		40115121		ADJUST COVER						1	
33		SD0600277TP		SHOULDER SCREW D=6 H=2.7						1	
34		WZ0620550KP		WASHER						1	
35		40115122		SIDE COVER						1	
36		40115124		SIDE COVER PACKING						1	
37		SM4040655SP		SCREW M4 L=6						4	
38		40115125		REVOLUTION COVER						1	
39		40115126		STUD A						2	
40		40115127		STUD B						2	
41		SL6041092TN		SCREW						2	
42		40114380		LED PCB ASSY						1	
43		40115129		LED BASE						1	
44		SM6040602TP		SCREW M4 L=6						2	
45		HX00150000B		CABLE CLIP						1	
46		SM6040802TP		SCREW M4X0.7 L=8						1	

FRAME & MISCELLANEOUS COVER COMPONENTS(1)



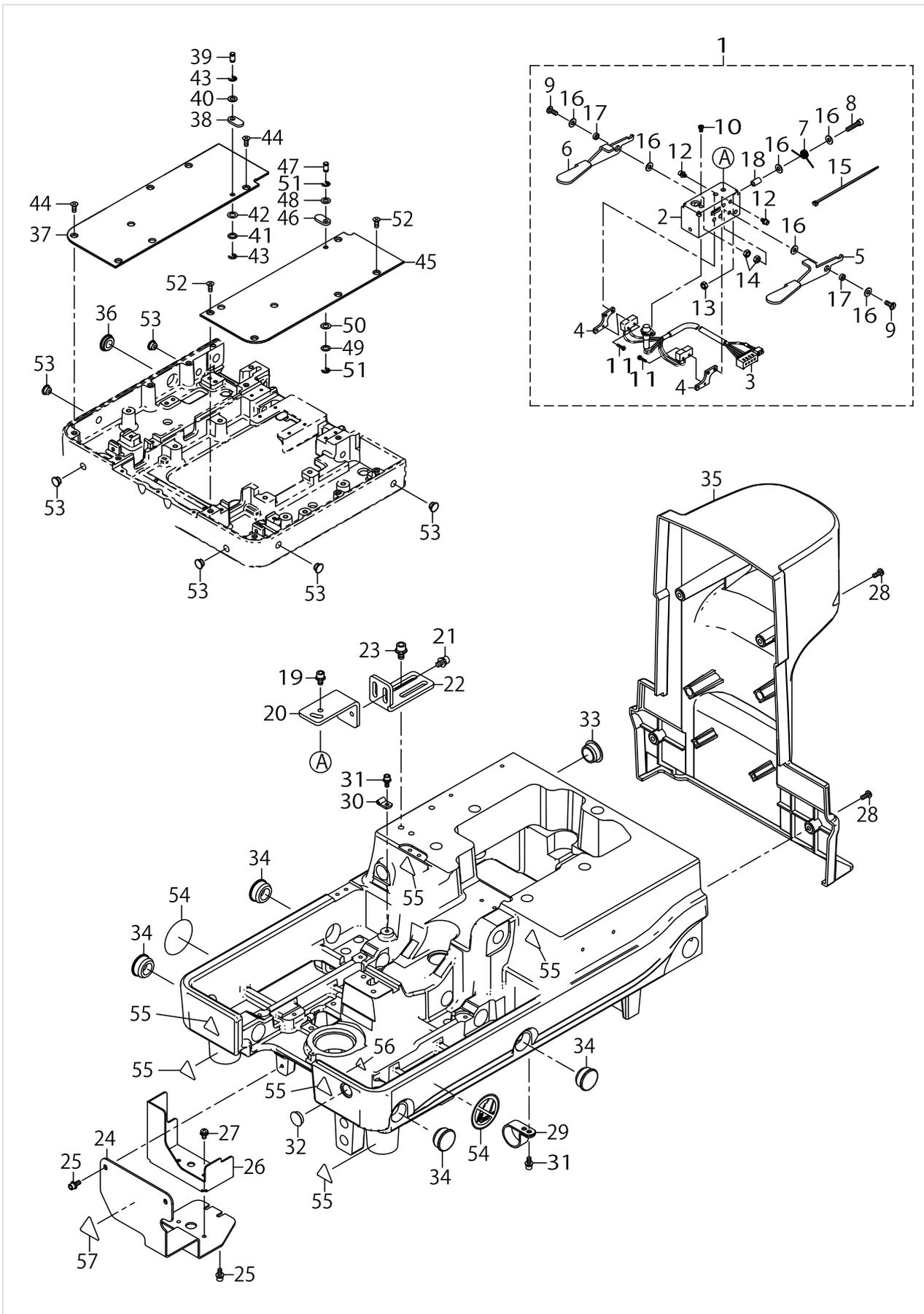
FRAME & MISCELLANEOUS COVER COMPONENTS(1)

No.	Supply Code	Parts No.	Replacement	Parts name	Remarks	Choice	Step	Level	Cons	Qty	Rep. QTY
47		40114427		SWITCH ASM.						1	
48		SM4040655SP		SCREW M4 L=6						2	
49		10622009		COAD BUSH						2	
50		SM9041050SC		SCREW M4X0.7 L=10						2	
51		WP0430800SD		WASHER M4						2	
52		32034803		TENSION PULLEY SHAFT						1	
53		40133594		LOWER_SPROCKET_COVER						1	
54		SL6040892TN		BOLT						2	
55		TA0850604R0		RUBBER PLUG						1	
56		TA1270502R0		RUBBER PLUG						1	
57		CM300200001		ATTENTION SEAL						2	
58		CM301300001		SAFETY LABEL						1	
59		CM600100101		WEEE MARK LABEL S	FOR CE					1	
60		40150131		EAC_MARK_LABEL_S	FOR CE					1	

FRAME & MISCELLANEOUS COVER COMPONENTS(2)

No.	Supply Code	Parts No.	Replacement	Parts name	Remarks	Choice	Step	Level	Cons	Qty	Rep. QTY
1		40115136		START SWITCH ASM						1	
2		40115137		SWITCH BOX				*		1	
3		40114430		LED SW ASM.				*		1	
4		32078800		SWITCH FITTING PLATE				*		2	
5		40115138		SWITCH LEVER R				*		1	
6		40115139		SWITCH LEVER L				*		1	
7		32079105		LEVER RETURN SPRING				*		1	
8		SM6041802TP		SCREW M4 L=18				*		1	
9		SM6041050TP		SCREW				*		2	
10		SM4030501SC		SCREW M3X0.5 L=5				*		1	
11		SL4021091SC		SCREW M2 L=10				*		4	
12		SL6030692TN		SCREW M3 L=6				*		4	
13		NM6040001SD		NUT M4				*		1	
14		NM6040001SD		NUT M4				*		2	
15		EA9500B0100		CABLE BAND				*		1	
16		WP0450801SP		WASHER				*		6	
17		40115140		COLLAR A				*		2	
18		40115141		COLLAR B				*		1	
19		SL6051292TN		BOLT						2	
20		40115142		START SWITCHBKT A						1	
21		SL6051092TN		BOLT						2	
22		40115143		START SWITCHBKT B						1	
23		SL6061292TN		SCREW						2	
24		40115130		LOOPER CAM COVER						1	
25		SL6041092TN		SCREW						4	
26		40115131		LOOPER CAM COVER B						1	
27		SL4040891SC		SCREW M4 L=8						2	
28		SM5041055SN		SCREW M4X10						4	
29		HX00150000N		CABLE CLIP						2	
30		HX001500000		CLIP						1	
31		SL6041092TN		SCREW						3	
32		TA1450404R0		RUBBER PLUG D=14.5 L=4						1	
33		TA2100904R0		RUBBER PLUG						1	
34		TA2351305R0		RUBBER PLUG						4	
35		40115116		REAR COVER						1	
36		TA1650406R0		PRUG						1	
37		40115132		FEED BASE COVER LEFT						1	
38		14012504		CLAMP HOLDING PLATE						1	
39		32002008		VERTICAL SHAFT						1	
40		WP0550800SP		WASHER 5.5X10X0.8						1	
41		26217604		WASHER						1	
42		WZ0620290KP		WAVED WASHER						1	
43		RE0400000KP		E-RING 4						2	
44		SM1041001SN		SCREW M4X0.7 L=10						5	
45		40115134		FEED BASE COVER RIGHT						1	
46		14012504		CLAMP HOLDING PLATE						1	

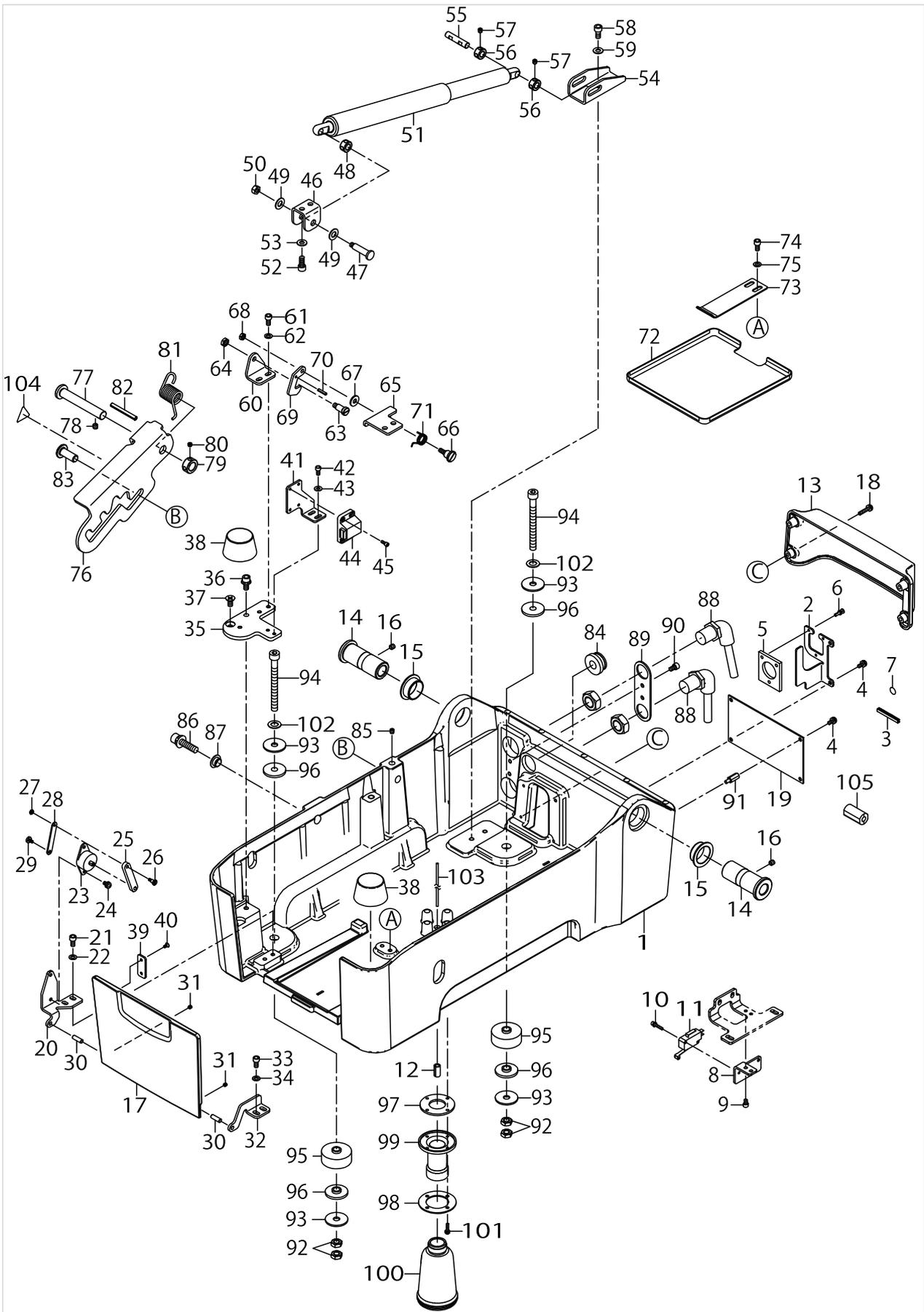
FRAME & MISCELLANEOUS COVER COMPONENTS(2)



FRAME & MISCELLANEOUS COVER COMPONENTS(2)

No.	Supply Code	Parts No.	Replacement	Parts name	Remarks	Choice	Step	Level	Cons	Qty	Rep. QTY
47		32002008		VERTICAL SHAFT						1	
48		WP0550800SP		WASHER 5.5X10X0.8						1	
49		26217604		WASHER						1	
50		WZ0620290KP		WAVED WASHER						1	
51		RE0400000KP		E-RING 4						2	
52		SM1041001SN		SCREW M4X0.7 L=10						5	
53		TA0850604R0		RUBBER PLUG						6	
54		CM100300001		MUST NOT HOLD LABEL						2	
55		CM300200002		CAUTION LABEL(25)						6	
56		CM300200001		ATTENTION SEAL						1	
57		CM300200003		ATTENTION LABEL						1	

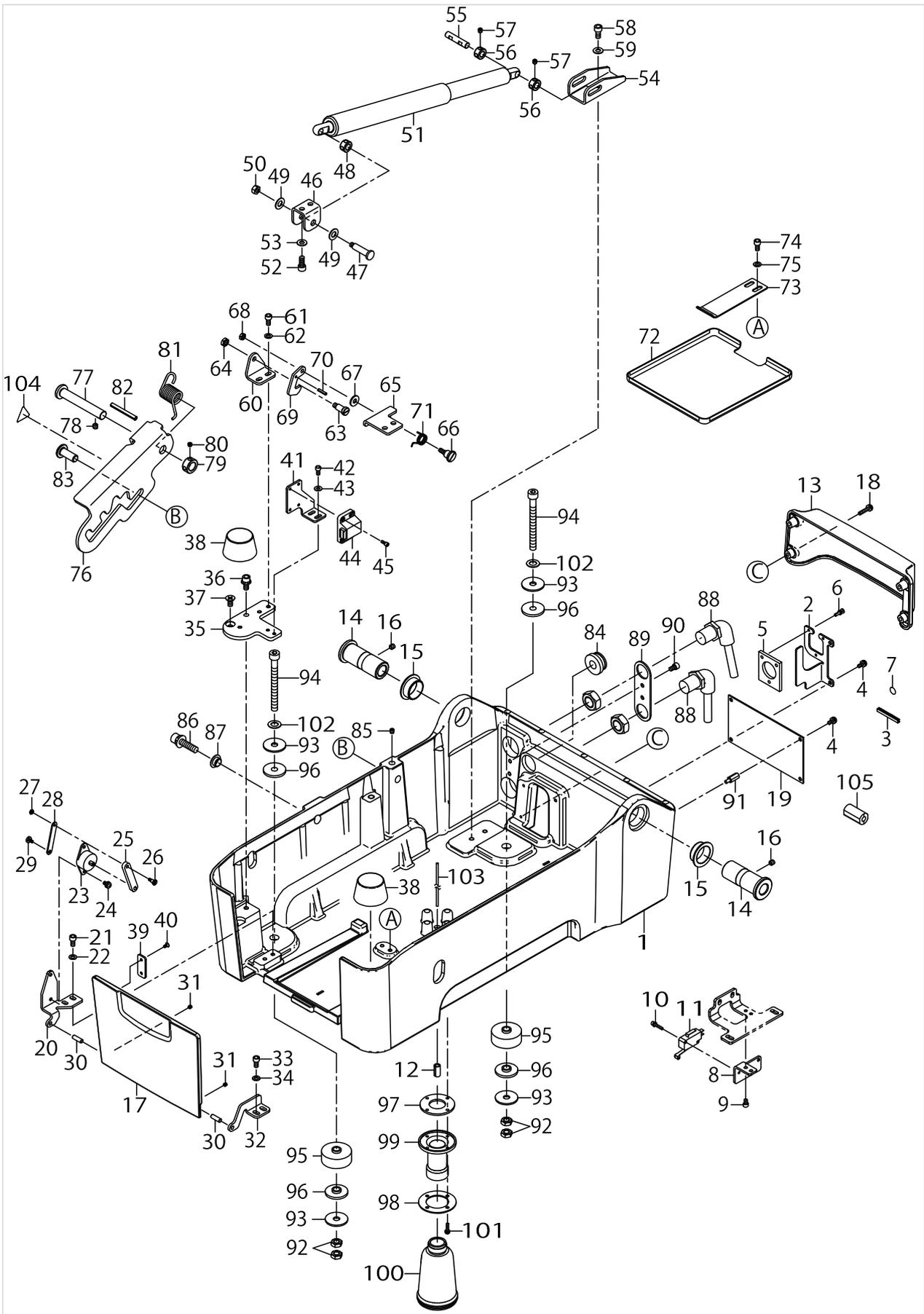
BOTTOM COVER COMPONENTS



BOTTOM COVER COMPONENTS

No.	Supply Code	Parts No.	Replacement	Parts name	Remarks	Choice	Step	Level	Cons	Qty	Rep. QTY
1		40115157		BOTTOM COVER						1	
2		40119992		CABLE HOLDER PLATE						1	
3		EA9002B1100		BUSHING L						.081	
4		SL4041091SC		SCREW M4 L=10						4	
5		40120513		CABLE FELT						1	
6	D	HX00094000C		NYLON RIVET						3	
7		22901805		GROUND MARK						1	
8		40115190		BED SWICH STAY						1	
9		SM6040602TP		SCREW M4 L=6						2	
10		SL6031692TN		SCREW						2	
11		32002255		SWITCH ASM.						1	
12		PS0800162KP		SPRING PIN 8X16						1	
13		40115189		INT COVER						1	
14		40115162		HINGE SHAFT						2	
15		40115163		HINGE BUSH						2	
16		SM8060612TP		SCREW M6 L=6						2	
17		40115164		FRONT COVER						1	
18		SL4042081SC		SCREW						4	
19		40114390		INT PCB ASM						1	
20		40115166		FRONT COVER BASE A						1	
21		SM6051002TP		SCREW M5X0.8 L=10						2	
22		WP0550800SP		WASHER 5.5X10X0.8						2	
23		40115167		DUMPER						1	
24		SL4040881SC		SCREW M4 L=8						2	
25		40115168		LINK A						1	
26		SD0400506TP		SHOULDER SCREW D=4 H=5						1	
27		NM6030003SC		NUT M3						1	
28		40115169		LINK B						1	
29		SD0400266TP		SHOULDER SCREW						1	
30		13416508		PIN DIFF ADJ						2	
31		SM8040412TP		SET SCREW M4 L=4						2	
32		40115170		FRONT COVER BASE B						1	
33		SM6051002TP		SCREW M5X0.8 L=10						2	
34		WP0550800SP		WASHER 5.5X10X0.8						2	
35		40115171		BASE PLATE						1	
36		SL6061492TN		BOLT						1	
37		SM1061201SN		SCREW M6 L=12						1	
38		40115159		STOPPER RUBBER						2	
39		40115172		RATCH BRACKET A						1	
40		SM1030601SC		SCREW M3 L=6						2	
41		40115173		RATCH BRACKET B						1	
42		SM6040802TP		SCREW M4X0.7 L=8						2	
43		WP0450801SP		WASHER						2	
44		40115174		MC LATCH						1	
45		SM6030602TP		SCREW M3X0.5 L=6						4	
46		40115175		GAS SPRING BRACKET UPPER						1	

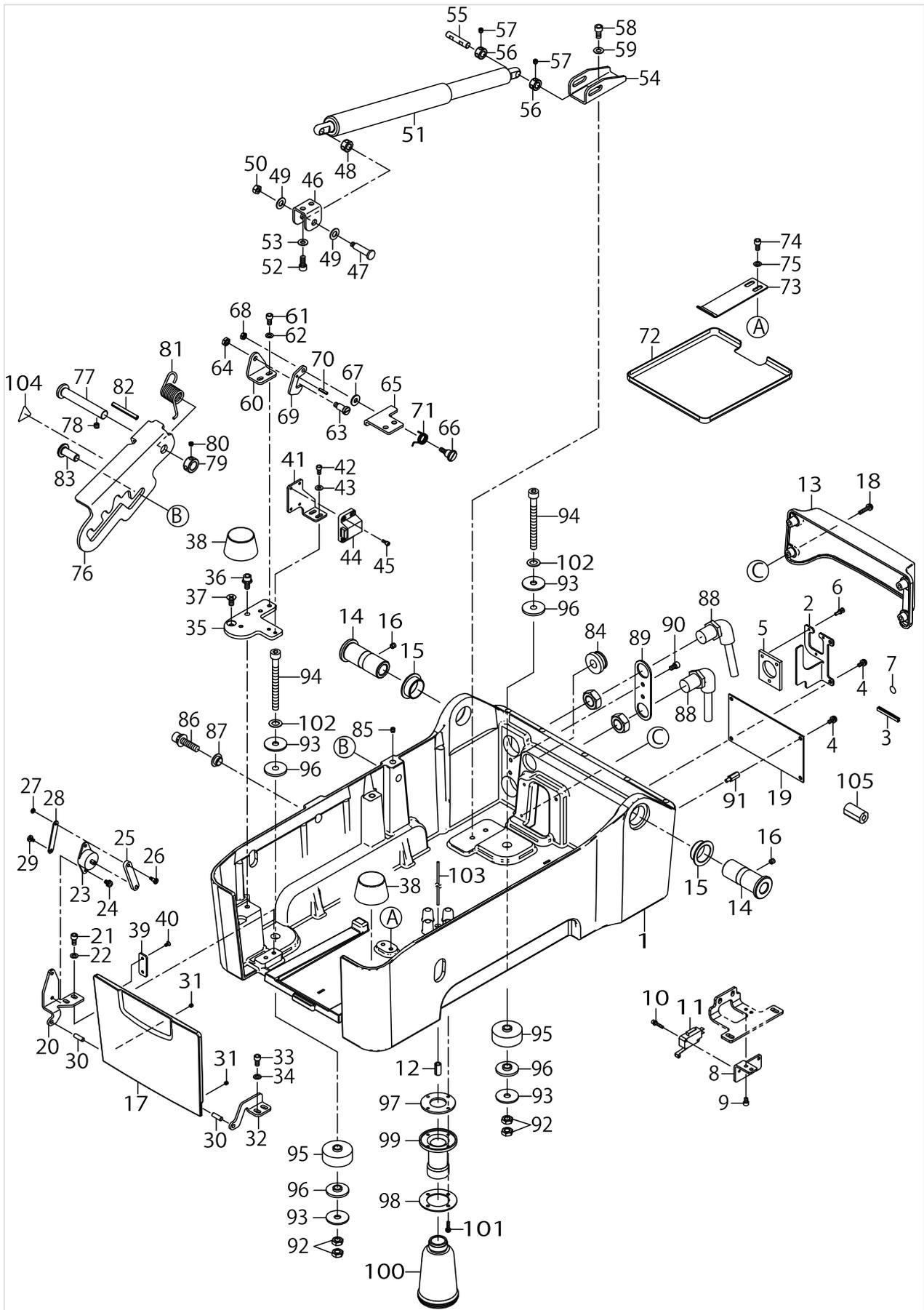
BOTTOM COVER COMPONENTS



BOTTOM COVER COMPONENTS

No.	Supply Code	Parts No.	Replacement	Parts name	Remarks	Choice	Step	Level	Cons	Qty	Rep. QTY
47		40089784		SHOULDER SCREW						1	
48		CS0800881TP		THRUST COLLAR						1	
49		B1223771000		NEEDLE ROD CRANK WASHER						2	
50		NM6060001SC		NUT M6						1	
51		40100390		GAS SPRING ASM						1	
52		SM6061402TP		SCREW M6 L=14						2	
53		WP0621016SH		WASHER						2	
54		40115176		GAS SPRING BRACKET LOWER						1	
55		40100145		GAS SPRING SHAFT L						1	
56		CS0800881TP		THRUST COLLAR						2	
57		SM8050512TP		SCREW						4	
58		SM6061202TP		SCREW M6 L=12						2	
59		WP0621016SH		WASHER						2	
60		40115177		ROCK BASE A						1	
61		SM6051002TP		SCREW M5X0.8 L=10						2	
62		WP0550800SP		WASHER 5.5X10X0.8						2	
63		SD0791276TP		SHOULDER SCREW						1	
64		NM6060003SC		NUT M6						1	
65		40115178		ROCK BASE B						1	
66		40115179		SHOULDER SCREW						1	
67		WP0553216SD		WASHER						1	
68		NM6050003SC		NUT M5X0.8						1	
69		40115180		ROCK LEVER						1	
70		PS0300142KH		SPRING PIN 0.3 X 14						1	
71		40115181		ROCK SPRING						1	
72		40115182		DUST TRAY						1	
73		40115183		FIXED PLATE						1	
74		SM6051002TP		SCREW M5X0.8 L=10						2	
75		WP0550800SP		WASHER 5.5X10X0.8						2	
76		40115184		HINGE STOPPER						1	
77		40115185		PIVOT SHAFT						1	
78		SM8060612TP		SCREW M6 L=6						1	
79		CS1200981TP		THRUST COLLAR D=12 W=9						1	
80		SM8050412TP		SCREW M5 L=4						2	
81		40115186		STOPPER SPRING						1	
82		PS0500452KP		SPRING PIN						1	
83		40134725		HINGE STOPPER SHAFT						1	
84		32006504		CLOTH WASTE BUSH						1	
85		SM8050612TP		SCREW M5X6						1	
86		SL6083092TN		SCREW						1	
87		E2193172000		PT EV PP METAL						1	
88		PJ304100004		UNION						2	
89		40115188		ELBOW BRACKET						1	
90		SM6050802TP		SCREW M5X0.8 L=8						2	
91		HX00339000F		SPACER						4	
92		NM6080003SC		NUT M8						8	

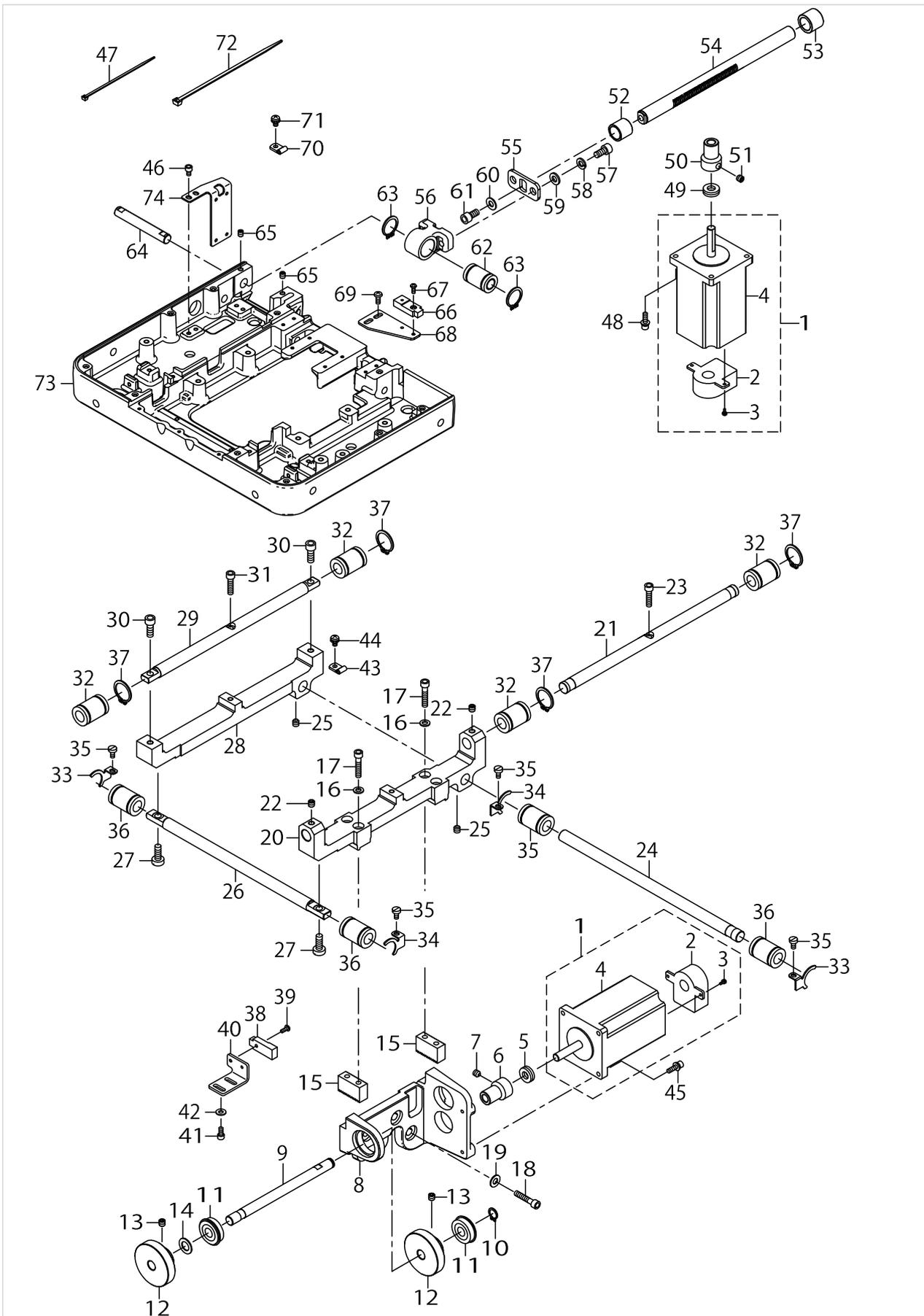
BOTTOM COVER COMPONENTS



BOTTOM COVER COMPONENTS

No.	Supply Code	Parts No.	Replacement	Parts name	Remarks	Choice	Step	Level	Cons	Qty	Rep. QTY
93		WP0852086SC		WASHER M8						8	
94		SM6088502TP		SCREW M8 L=85						4	
95		40115161		BOLT RUBBER B						4	
96		40115160		BOLT RUBBER						8	
97		B8112220000		OIL SEAL						1	
98		B8111220000		WASHER						1	
99		B8202205000		OIL MANAGEMENT						1	
100		B9121012000		OIL CAN						1	
101		SL4031481SC		SCREW M3X14						4	
102		12922605		GASKET						4	
103		CQ252000000		OIL WICK						.12	
104		CM300200002		CAUTION LABEL(25)						1	
105		HN00149000D		CORES	FOR CE					3	

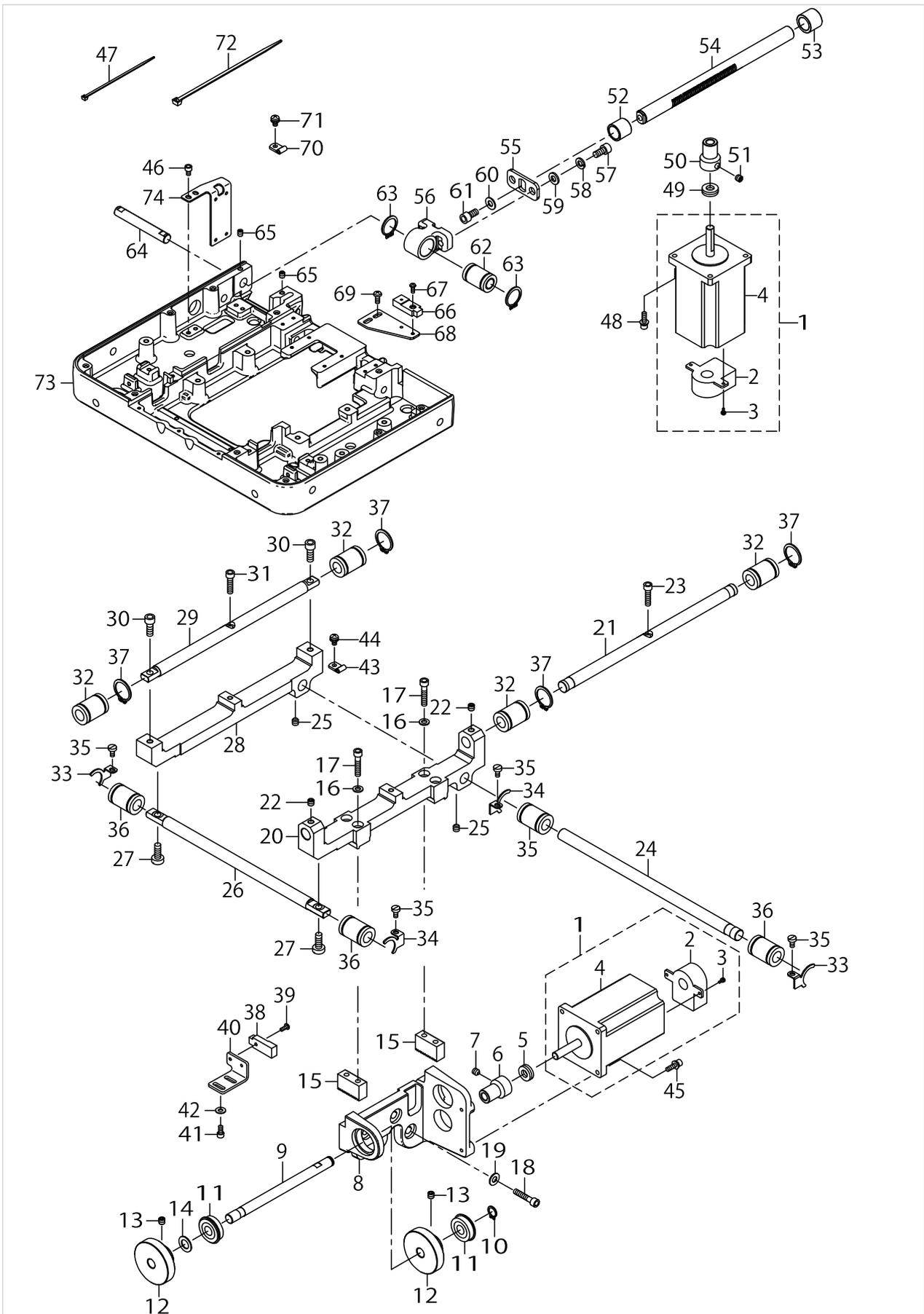
FEED COMPONENTS



FEED COMPONENTS

No.	Supply Code	Parts No.	Replacement	Parts name	Remarks	Choice	Step	Level	Cons	Qty	Rep. QTY
1		40134501		ENCODER MOTOR ASM(XY)							2
2		HD002780000		SENSOR				*			1
3		SL4020591SC		SCREW M2X5				*			2
4		40136294		STEPPING MOTOR				*			1
5		SB408000100		BEARING							1
6		26501502		Y FEED GEAR							1
7		SM8060602TP		SCREW M6X6							2
8		40115197		MOTOR FRAME							1
9		40115198		X FEED SHAFT							1
10		RC0100001KP		SNAP RING M10							1
11		SB110002400		BEARING							2
12		40115199		X FEED GEAR							2
13		SM8060612TP		SCREW M6 L=6							4
14		10523504		WASHER							1
15		40115200		RACK GEAR							2
16		WP0531000SD		WASHER M5							4
17		SM6052502TP		SCREW M5X0.8 L=25							4
18		SM6062502TP		SCREW M6 L=25							3
19		WP0621016SH		WASHER							3
20		40115201		GUIDE SHAFT FIXING BASE R							1
21		40115203		VERTICAL FEED GUIDE SHAFT R							1
22		SM8060612TP		SCREW M6 L=6							2
23		SM6052002TP		SCREW M5 L=20							1
24		40115205		PARALLEL FEED SHAFT							1
25		SM8060612TP		SCREW M6 L=6							2
26		40115206		PARALLEL FEED SHAFT F							1
27		SM6061650TP		SCREW							2
28		40115202		GUIDE SHAFT FIXING BASE L							1
29		40115204		VERTICAL FEED GUIDE SHAFT L							1
30		SM6061650TP		SCREW							2
31		SM6052002TP		SCREW M5 L=20							1
32		E1902172000		INSERT CARRIAGE BUSH							4
33		40115207		BUSH STOPPER R							2
34		40115208		BUSH STOPPER L							2
35		SM6040860TP		SCREW M4 L=8							4
36		E1902172000		INSERT CARRIAGE BUSH							4
37		RC1951211KP		C-RING							4
38		40114420		X SENSOR ASM							1
39		SM4030801SC		SCREW M3X0.5 L=8							1
40		40115215		X SENSOR BRACKET							1
41		SM6040802TP		SCREW M4X0.7 L=8							2
42		WP0450801SP		WASHER							2
43		HX001500000		CLIP							1
44		SL4040891SC		SCREW M4 L=8							1
45		SL6041492TN		SCREW							4
46		SM6040602TP		SCREW M4 L=6							2

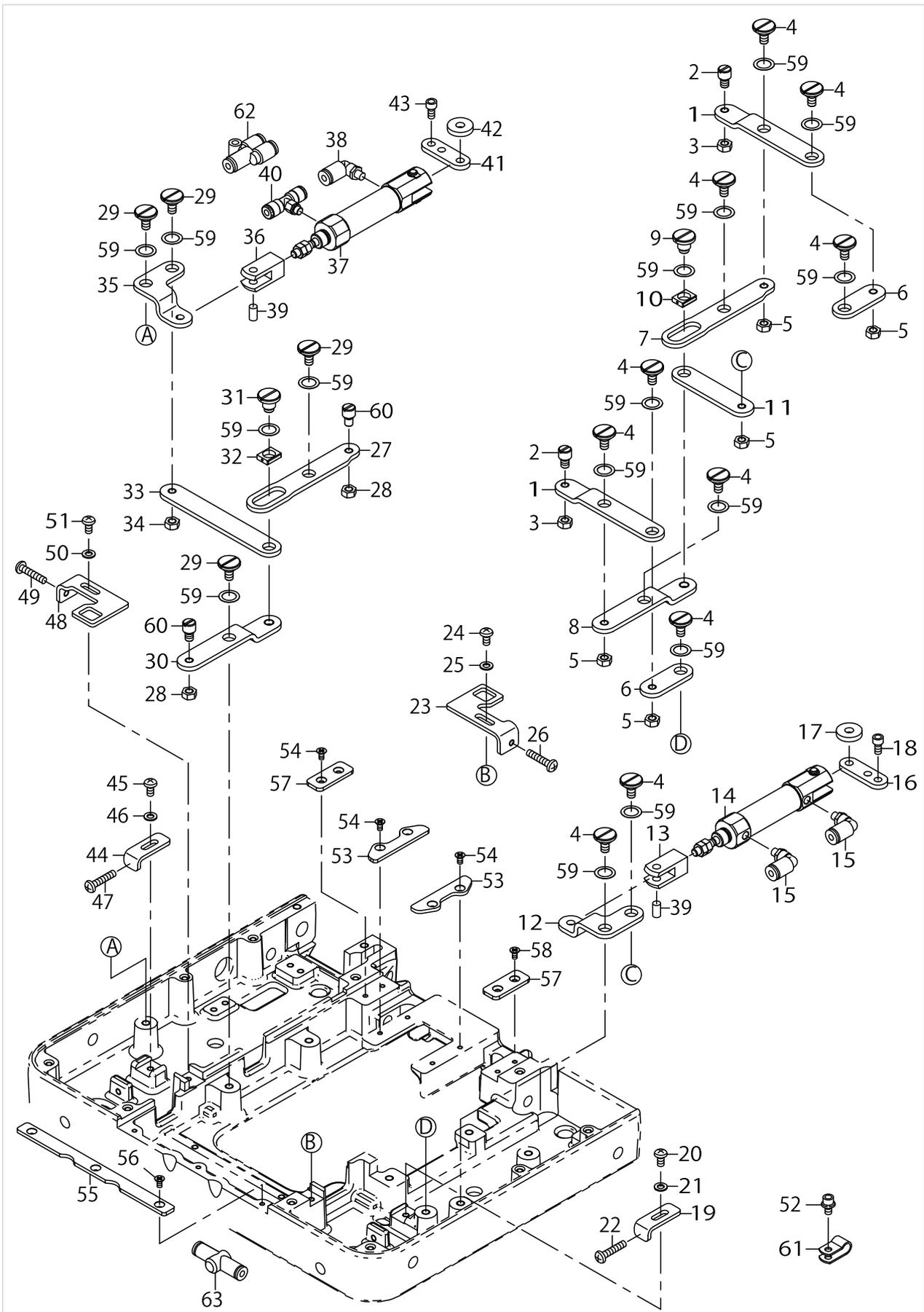
FEED COMPONENTS



FEED COMPONENTS

No.	Supply Code	Parts No.	Replacement	Parts name	Remarks	Choice	Step	Level	Cons	Qty	Rep. QTY
47		EA9500B0100		CABLE BAND						2	
48		SL6041492TN		SCREW						4	
49		SB408000100		BEARING						1	
50		26501502		Y FEED GEAR						1	
51		SM8060602TP		SCREW M6X6						2	
52		40115209		METAL						1	
53		40115210		METAL						1	
54		40115211		VERTICAL FEED SHAFT						1	
55		40115212		VERTICAL FEED FIXING PLATE						1	
56		40115213		BUSH BRACKET						1	
57		SM6061202TP		SCREW M6 L=12						2	
58		WS0610002KN		SPRING WASHER 6.1X12.2X1.5						2	
59		WP0641601SD		WASHER M6						2	
60		WP0621016SH		WASHER						1	
61		SM6061202TP		SCREW M6 L=12						1	
62		SB710000200		SLIDE BEARING						1	
63		RC1900001KP		C-RING						2	
64		40115214		PARALLEL SHAFT						1	
65		SM8050612TP		SCREW M5X6						2	
66		40114421		Y SENSOR ASM						1	
67		SM4030801SC		SCREW M3X0.5 L=8						1	
68		40115216		Y SENSOR BASE						1	
69		SM5041055SN		SCREW M4X10						2	
70		HX001500000		CLIP						1	
71		SL4040891SC		SCREW M4 L=8						1	
72		EA9500B0000		CABLE BAND						2	
73		40115217		CLOTH FEED BASE						1	
74		40115219		TUBE BRACKET						1	

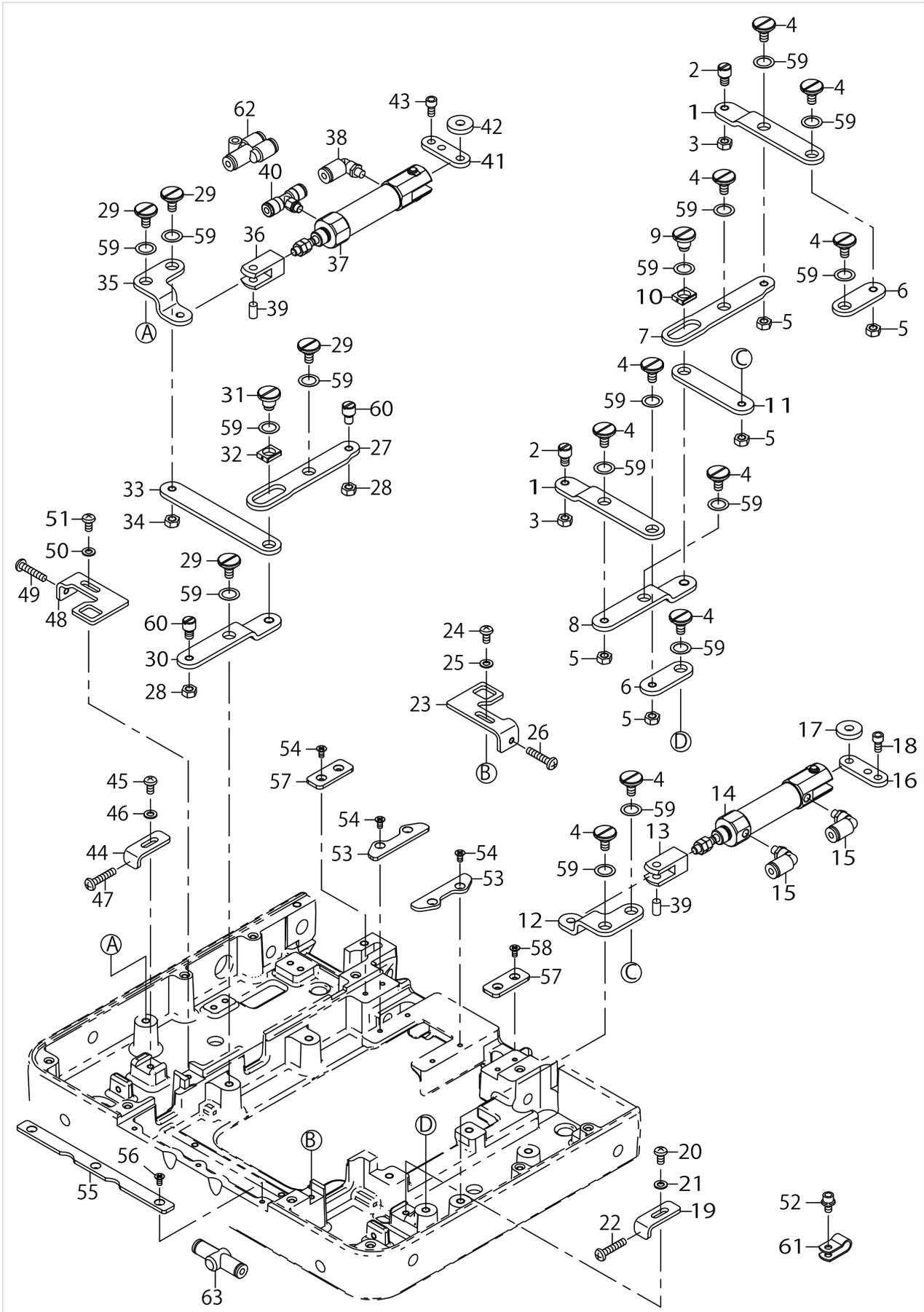
CLOTH OPEN COMPONENTS



CLOTH OPEN COMPONENTS

No.	Supply Code	Parts No.	Replacement	Parts name	Remarks	Choice	Step	Level	Cons	Qty	Rep. QTY
1		40115227		CLOTH OPEN LINK G						2	
2		40115228		HOLDING PIN						2	
3		NM6050001SC		NUT M5X0.8 TYPE1						2	
4		SD0800327TP		SHOULDER SCREW						10	
5		NM6050001SC		NUT M5X0.8 TYPE1						5	
6		40115229		CLOTH OPEN LINK F						2	
7		40115230		CLOTH OPEN LINK A						1	
8		40115231		CLOTH OPEN LINK B						1	
9		SD0800656TP		SHOULDER SCREW						1	
10		40030628		SLIDE BLOCK A						1	
11		40115232		CLOTH OPEN LINK C						1	
12		40115233		CLOTH OPEN LINK D						1	
13		PX500020000		KNUCKLE JOINT						1	
14		PA1602013A0		AIR CYLINDER						1	
15		PJ304040504		ELBOW UNION						2	
16		32012205		CYLINDER BRACKET						1	
17		WP0553216SD		WASHER						1	
18		SM6040802TP		SCREW M4X0.7 L=8						2	
19		40115234		OPEN SIDE STPPER						1	
20		SM4040855SP		SCREW						1	
21		WP0430800SC		WASHER M4						1	
22		SM4042055SP		SCREW						1	
23		40115235		CLOSE SIDE STPPER						1	
24		SM4040855SP		SCREW						1	
25		WP0430800SC		WASHER M4						1	
26		SM4042055SP		SCREW						1	
27		40115230		CLOTH OPEN LINK A						1	
28		NM6050001SC		NUT M5X0.8 TYPE1						2	
29		SD0800327TP		SHOULDER SCREW						4	
30		40115231		CLOTH OPEN LINK B						1	
31		SD0800656TP		SHOULDER SCREW						1	
32		40030628		SLIDE BLOCK A						1	
33		40115236		CLOTH OPEN LINK H						1	
34		NM6050001SC		NUT M5X0.8 TYPE1						1	
35		40115237		CLOTH OPEN LINK E						1	
36		PX500020000		KNUCKLE JOINT						1	
37		PA1602013A0		AIR CYLINDER						1	
38		PJ304040504		ELBOW UNION						1	
39		40120491		KNUCKLE PIN						2	
40		PJ305040502		T-UNION						1	
41		32012205		CYLINDER BRACKET						1	
42		WP0553216SD		WASHER						1	
43		SM6040802TP		SCREW M4X0.7 L=8						2	
44		40115234		OPEN SIDE STPPER						1	
45		SM4040855SP		SCREW						1	
46		WP0430800SC		WASHER M4						1	

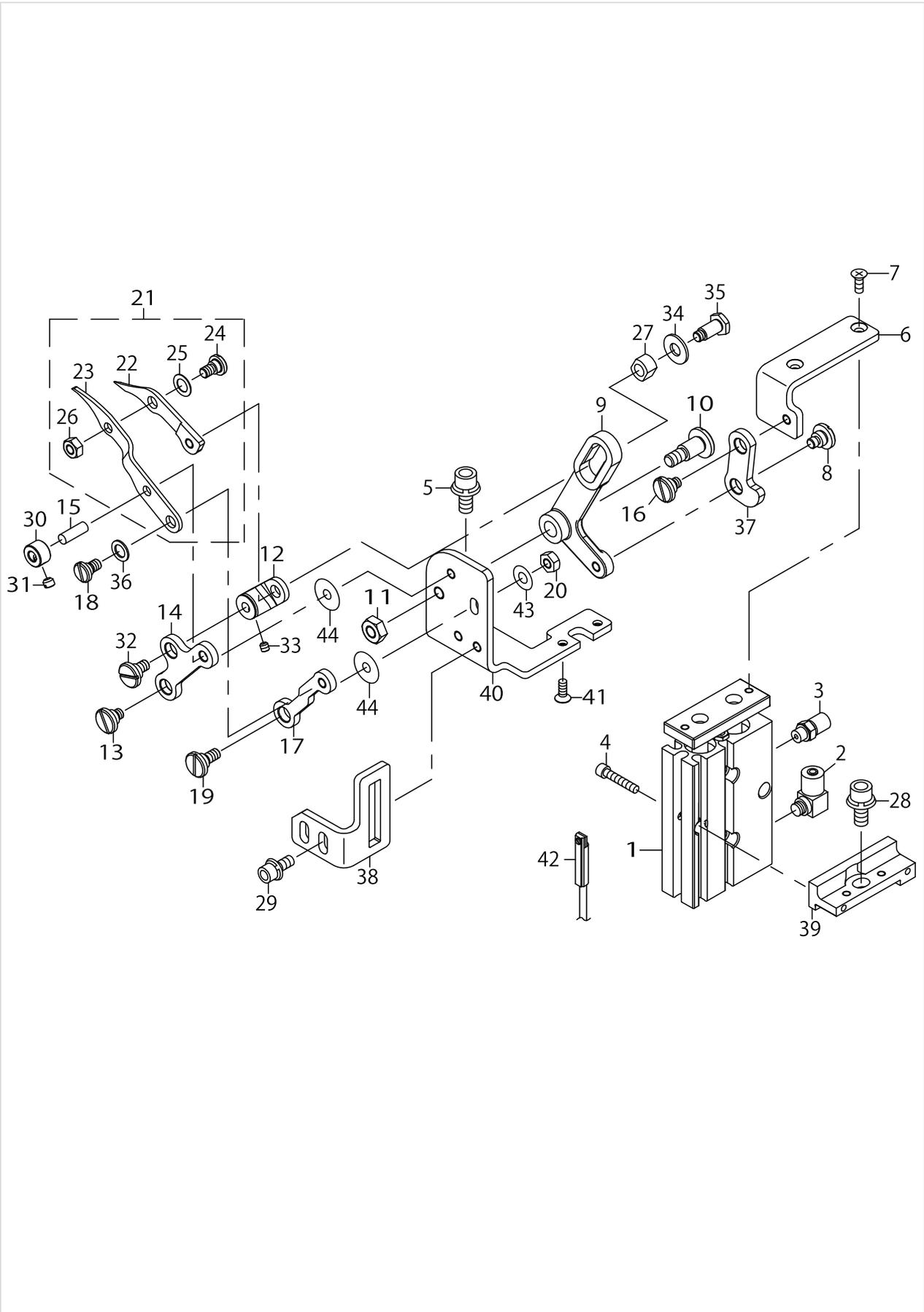
CLOTH OPEN COMPONENTS



CLOTH OPEN COMPONENTS

No.	Supply Code	Parts No.	Replacement	Parts name	Remarks	Choice	Step	Level	Cons	Qty	Rep. QTY
47		SM4042055SP		SCREW						1	
48		40115235		CLOSE SIDE STPPER						1	
49		SM4042055SP		SCREW						1	
50		WP0430800SC		WASHER M4						1	
51		SM4040855SP		SCREW						1	
52		SL6040892TN		BOLT						2	
53		32012809		CLOTH OPEN HOLD- ING PLATE REAR						2	
54		SM1030601SC		SCREW M3 L=6						4	
55		32012601		HOLDING PLATE FRONT						1	
56		SM1030601SC		SCREW M3 L=6						3	
57		32012700		HOLDING PLATE MID						2	
58		SM1030601SC		SCREW M3 L=6						4	
59		WZ0880200KP		WAVED WASHER						16	
60		40115228		HOLDING PIN						2	
61		HX00150000B		CABLE CLIP						2	
62		PJ308040002		QUICK COUPLING						1	
63		PV010015000		QUICK EXHAUST VALVE						1	

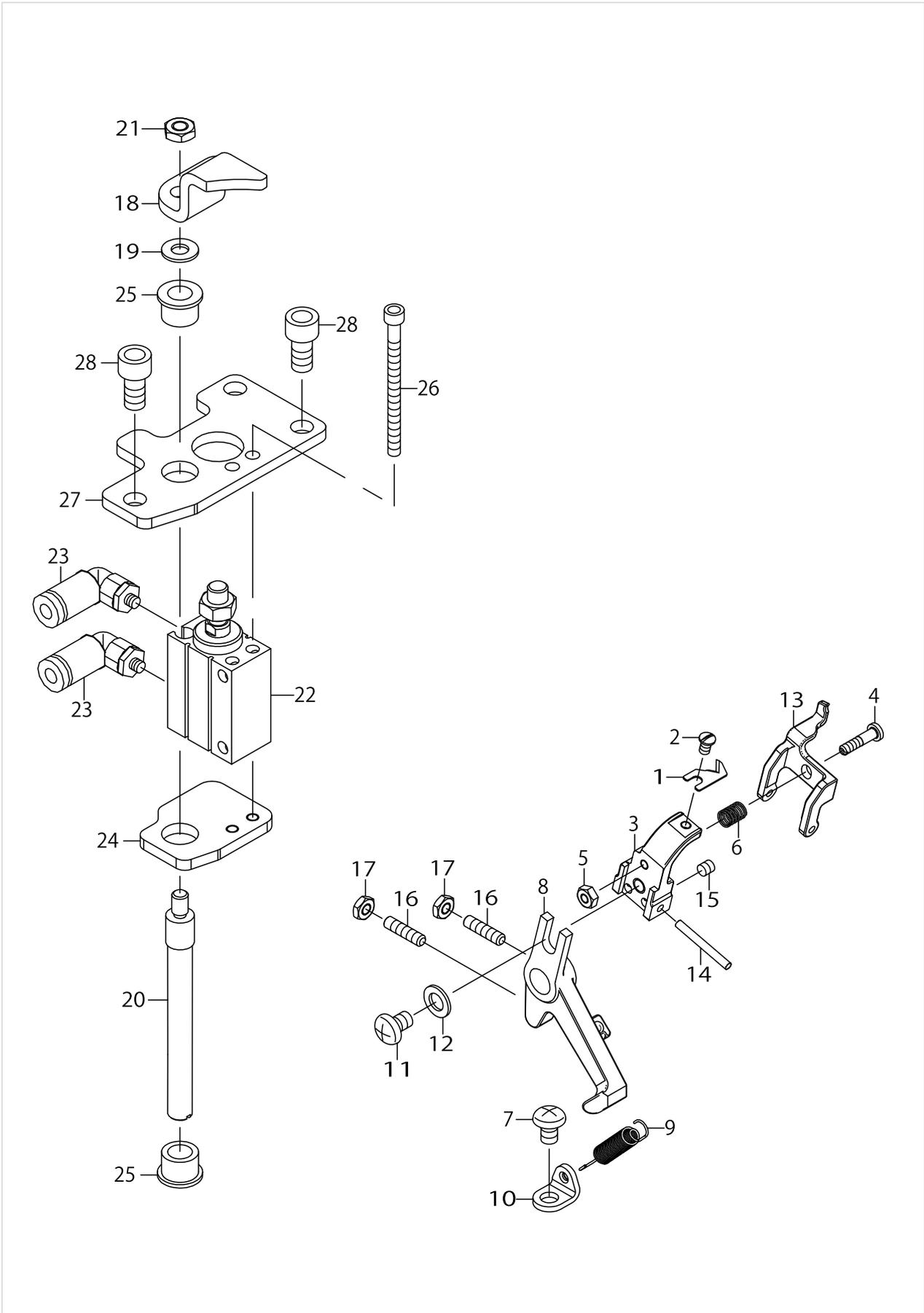
LOWER THREAD CUTTING COMPONENTS (TYPE 01)



LOWER THREAD CUTTING COMPONENTS (TYPE 01)

No.	Supply Code	Parts No.	Replacement	Parts name	Remarks	Choice	Step	Level	Cons	Qty	Rep. QTY
1		PA100201300		AIR CYLINDER						1	
2		PJ046054002		HOSE ELBOW						1	
3		PJ032052503		HOSE NIPPLE						1	
4		SM6031602TP		SCREW						2	
5		SL6051292TN		BOLT						1	
6		40115249		CONNECTING PLATE						1	
7		SM1030801SP		SCREW M3X0.5 L=8						2	
8		40115251		SHOULDER SCREW						1	
9		40115252		CUTTING LEVER						1	
10		40115254		SHOULDER SCREW						1	
11		NM6050001SP		NUT M5						1	
12		40115255		FIXING KNIFE GUIDE						1	
13		40115251		SHOULDER SCREW						1	
14		40115256		MOVING KNIFE LINK 1						1	
15		13149901		PIN						1	
16		40115251		SHOULDER SCREW						1	
17		40115257		MOVING KNIFE LINK 2						1	
18		40115258		SHOULDER SCREW						1	
19		40115259		SHOULDER SCREW						1	
20		NM6040001SP		NUT M4X0.7						1	
21		40115260		KNIFE ASSY						1	
22	R	40115261	40115260	MOVING KNIFE				*	☆	1	1.00
23	R	40115262	40115260	FIXING KNIFE				*	☆	1	1.00
24		40115258		SHOULDER SCREW				*		1	
25		WZ0541510KP		WAVED WASHER 5.4X9.0X0.3				*		1	
26		NM6040001SP		NUT M4X0.7				*		1	
27		40115263		SQURE BLOCK						1	
28		SL6051692TN		BOLT						1	
29		SL6041092TN		SCREW						2	
30		13172903		COLLAR						1	
31		SM8040360TP		SCREW						1	
32		40115265		ECCENTRIC PIN						1	
33		SM8030312TP		SCREW M3 L=3						1	
34		B2107816000		WASHER						1	
35		40115266		SHOULDER SCREW						1	
36		40115272		THRUST WASHER						1	
37		40115267		CONNECT LINK						1	
38		40115268		STOPPER						1	
39		40115269		CYLINDER BLOCK						1	
40		40115271		LOWER THREAD CUTTING BASE						1	
41		SM1030801SP		SCREW M3X0.5 L=8						2	
42		40114425		LT SENSOR ASM						1	
43		WP0450801SD		WASHER 4.5X10X0.8						1	
44		40126835		WASHER						2	

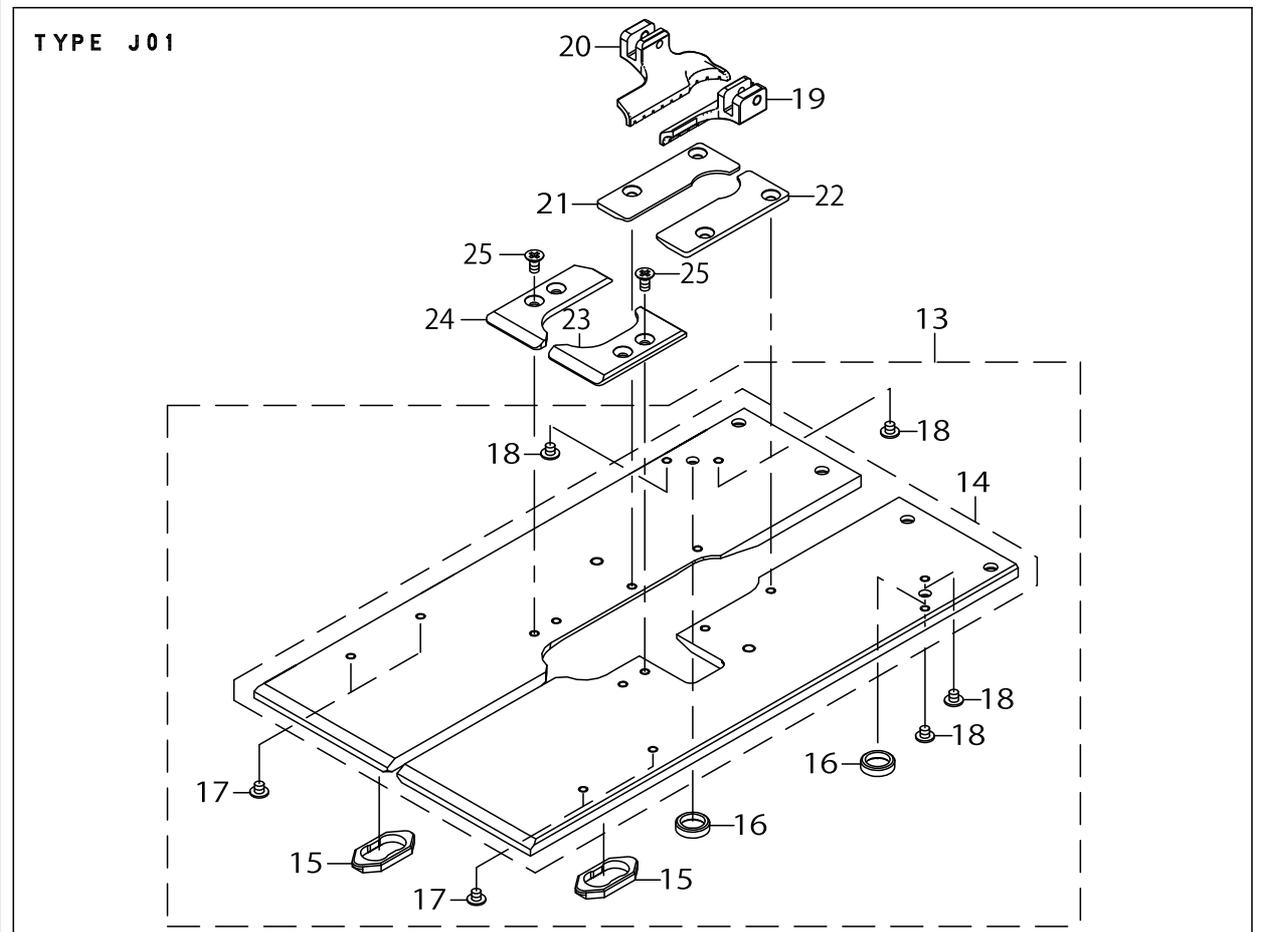
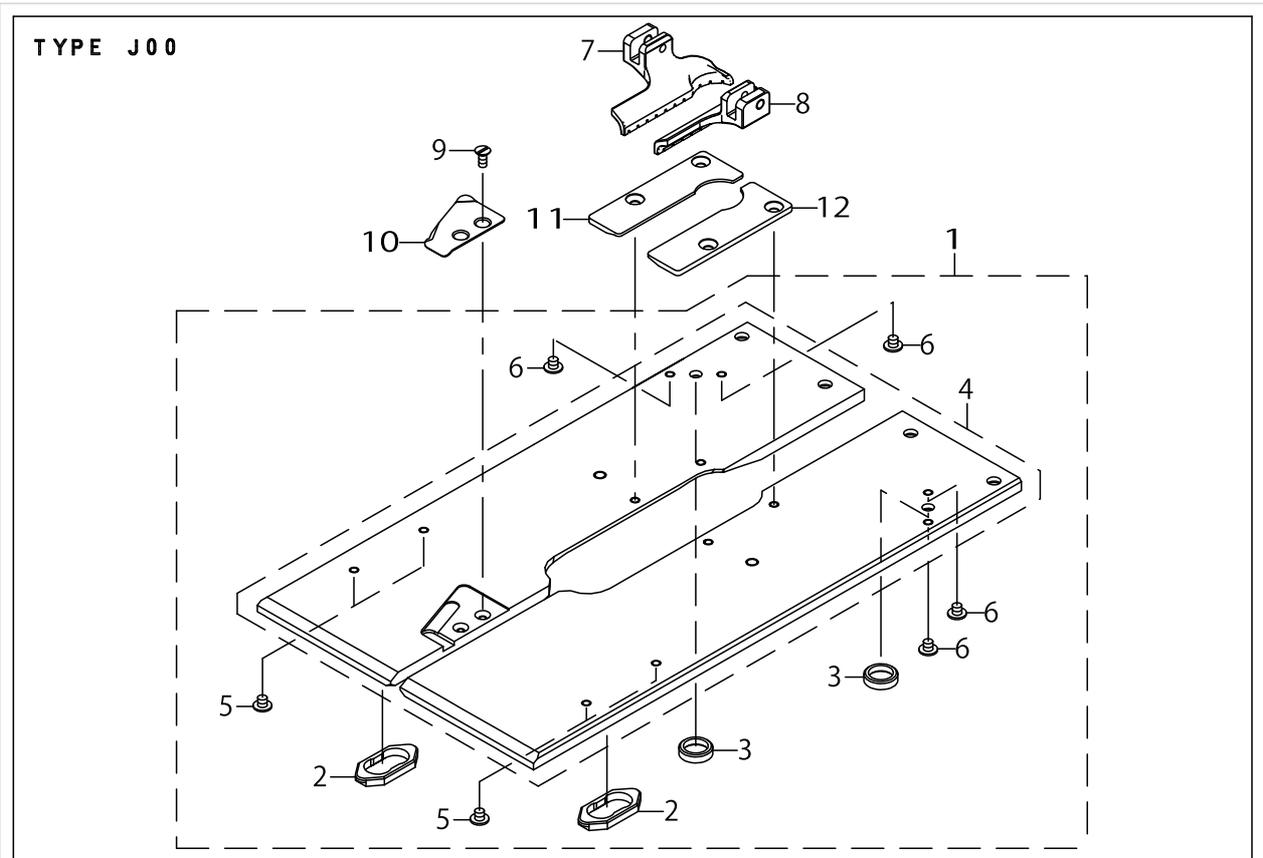
UPPER THREAD CUTTING COMPONENTS



UPPER THREAD CUTTING COMPONENTS

No.	Supply Code	Parts No.	Replacement	Parts name	Remarks	Choice	Step	Level	Cons	Qty	Rep. QTY
1		40115277		TRIMMER KNIFE					☆	1	
2		SM5850460SP		SCREW						1	
3		40115278		KNIFE BASE						1	
4		40115280		STOPPER PIN	TYPE 01					1	
5		NM6850001SC		NUT M2.5X0.45 TYPE1	TYPE 01					1	
6		40115282		THREAD HOLDER SPRING	TYPE 01					1	
7		SM4040655SP		SCREW M4 L=6						1	
8		40115283		KNIFE ARM						1	
9		40115284		KNIFE SPRING						1	
10		40115285		SPRING BRACKET						1	
11		SM4040655SP		SCREW M4 L=6						1	
12		WP0480856SP		WASHER 4.8X8.4X0.8						1	
13		40115286		LOWER THREAD HOLDER	TYPE 01					1	
14		40115288		PIN	TYPE 01					1	
15		SM8030312TP		SCREW M3 L=3	TYPE 01					2	
16		SM8031212TP		SCREW						2	
17		NM6030003SC		NUT M3						2	
18		40115289		KNIFE DRIVER ARM						1	
19		WP0430801SC		WASHER M4						1	
20		40115290		KNIFE DRIVE SHAFT						1	
21		NM6040003SC		NUT M4						1	
22		PA100153400		AIR CYLINDER						1	
23		PJ304040301		UNION ELBOW M3						2	
24		40115291		METAL BASE						1	
25		G6013880000		LINK SHAFT HOLDER						2	
26		SM6034002TN		SCREW						2	
27		40115292		CYLINDER BASE						1	
28		SM6051002TP		SCREW M5X0.8 L=10						3	

PRESSER COMPONENTS (1)

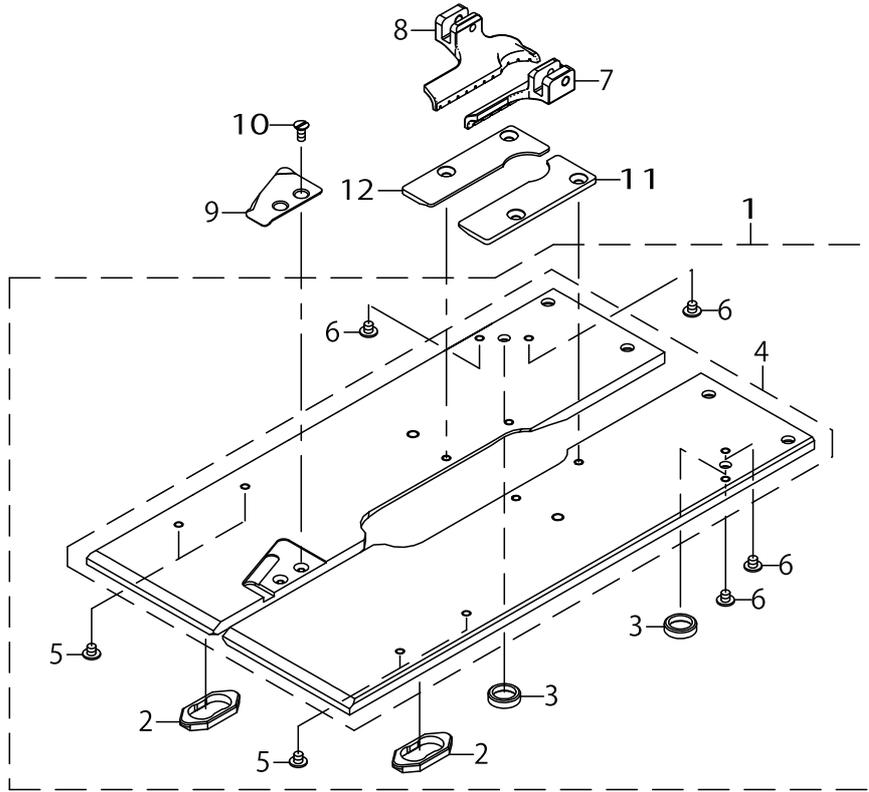


PRESSER COMPONENTS (1)

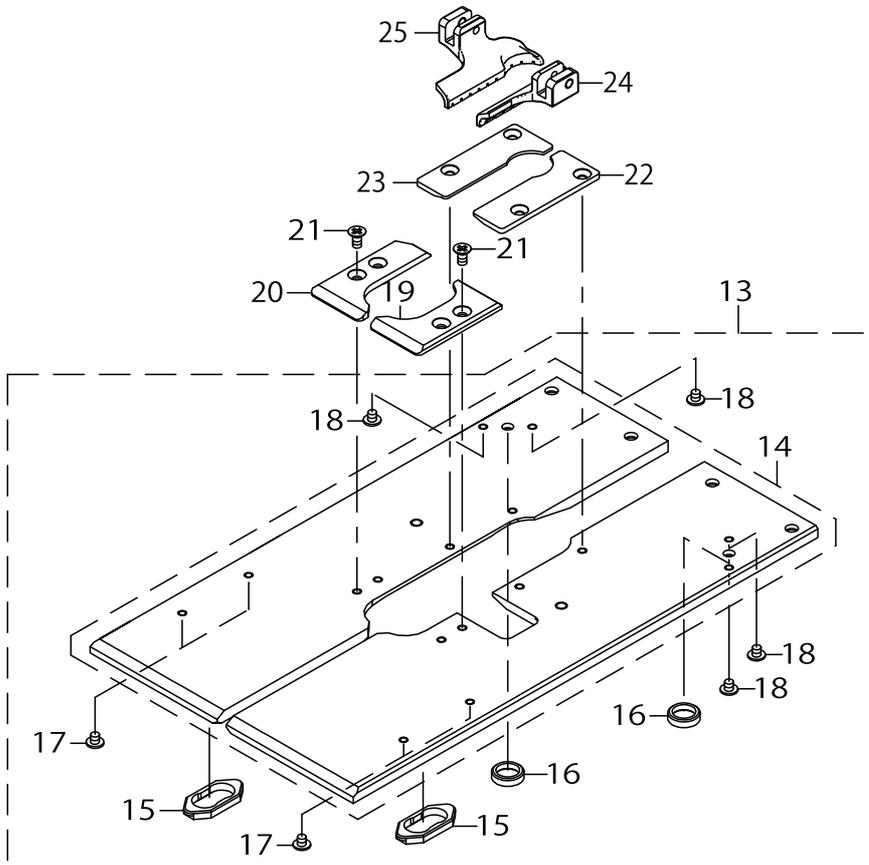
No.	Supply Code	Parts No.	Replacement	Parts name	Remarks	Choice	Step	Level	Cons	Qty	Rep. QTY
1		40153639		PRESSER PLATE 00 ASM						1	
2		40153647		PRESSER PLATE BUSHING B				*		2	
3		40115307		PRESSER PLATE BUSHING A				*		2	
4		40153640		PRESSER PLATE 00				*		1	
5		SM0030301SN		SCREW				*		4	
6		SM0030301SN		SCREW				*		4	
7		40115239		PRESSER FOOT L						1	
8		40115238		PRESSER FOOT R						1	
9		SM1850600SP		SCREW						2	
10		40115321		THREAD CUTTER						1	
11		32027104		HOLDING PLATE LEFTT						1	
12		32027005		HOLDING PLATE RIGHT						1	
13		40153643		PRESSER PLATE 01 ASM						1	
14		40153644		PRESSER PLATE 01				*		1	
15		40153647		PRESSER PLATE BUSHING B				*		2	
16		40115307		PRESSER PLATE BUSHING A				*		2	
17		SM0030301SN		SCREW				*		4	
18		SM0030301SN		SCREW				*		4	
19		40115240		PRESSER FOOT R 34						1	
20		40115241		PRESSER FOOT L 34						1	
21		40115323		HOLDINGPLATELEFT						1	
22		40115322		HOLDING PLATE PIGHT						1	
23		40115326		KNIFEPLATERIGHTM						1	
24		40115327		KNIFE PLATE LEFT M						1	
25		SM1030601SP		SCREW M3 L=6						4	

PRESSER COMPONENTS (2)

TYPE C00



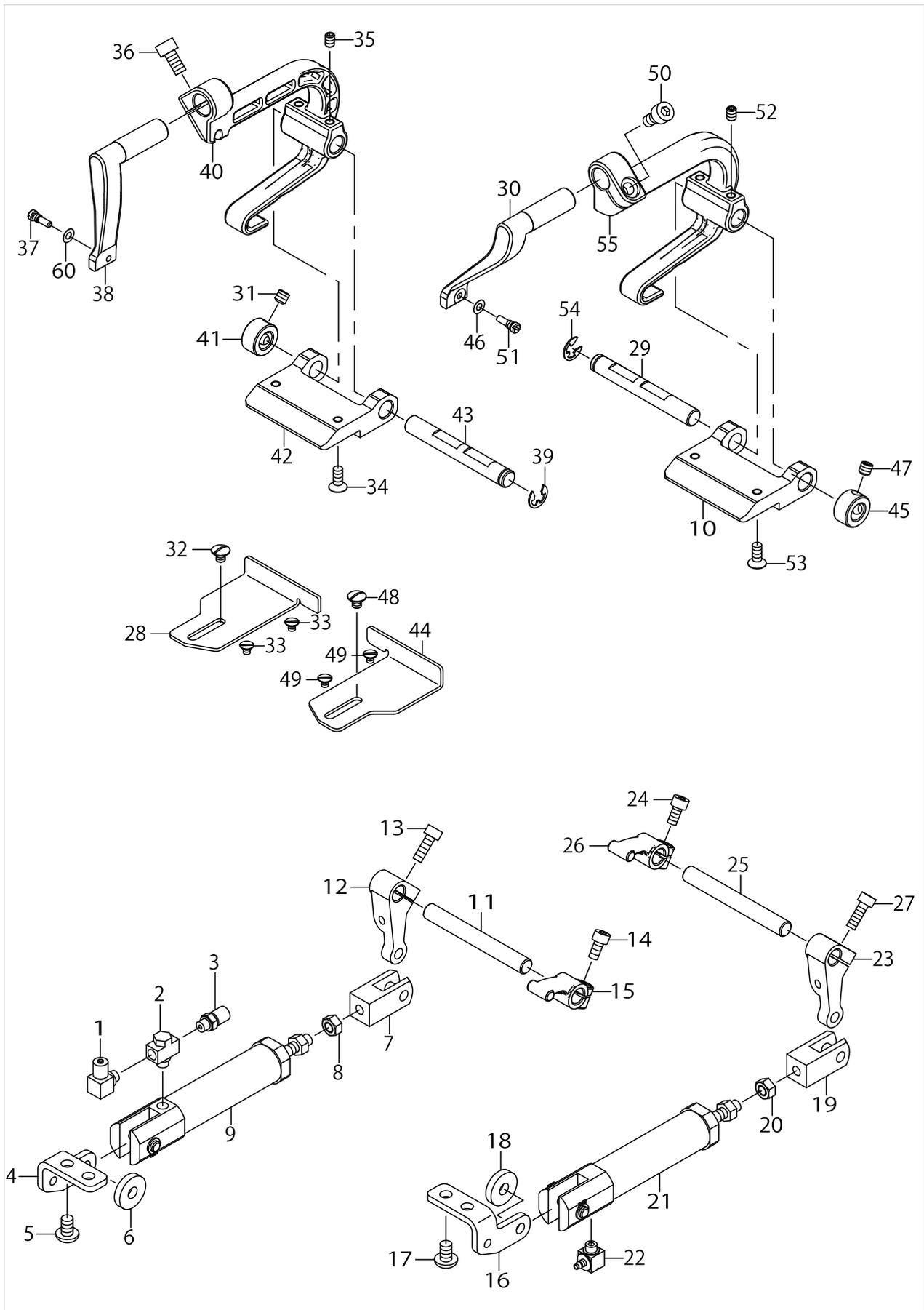
TYPE C01



PRESSER COMPONENTS (2)

No.	Supply Code	Parts No.	Replacement	Parts name	Remarks	Choice	Step	Level	Cons	Qty	Rep. QTY
1		40153639		PRESSER PLATE 00 ASM						1	
2		40153647		PRESSER PLATE BUSHING B				*		2	
3		40115307		PRESSER PLATE BUSHING A				*		2	
4		40153640		PRESSER PLATE 00				*		1	
5		SM0030301SN		SCREW				*		4	
6		SM0030301SN		SCREW				*		4	
7		40115316		PRESSER FOOT R						1	
8		40115309		PRESSER FOOT L						1	
9		40115321		THREAD CUTTER						1	
10		SM1850600SP		SCREW						2	
11		32027005		HOLDING PLATE RIGHT						1	
12		32027104		HOLDING PLATE LEFTT						1	
13		40153643		PRESSER PLATE 01 ASM						1	
14		40153644		PRESSER PLATE 01				*		1	
15		40153647		PRESSER PLATE BUSHING B				*		2	
16		40115307		PRESSER PLATE BUSHING A				*		2	
17		SM0030301SN		SCREW				*		4	
18		SM0030301SN		SCREW				*		4	
19		40115326		KNIFE PLATERIGHT M						1	
20		40115327		KNIFE PLATE LEFT M						1	
21		SM1030601SP		SCREW M3 L=6						4	
22		40115322		HOLDING PLATE PIGHT						1	
23		40115323		HOLDINGPLATELEFT						1	
24		40115324		PRESSER FOOT R 34						1	
25		40115325		PRESSER FOOT L 34						1	

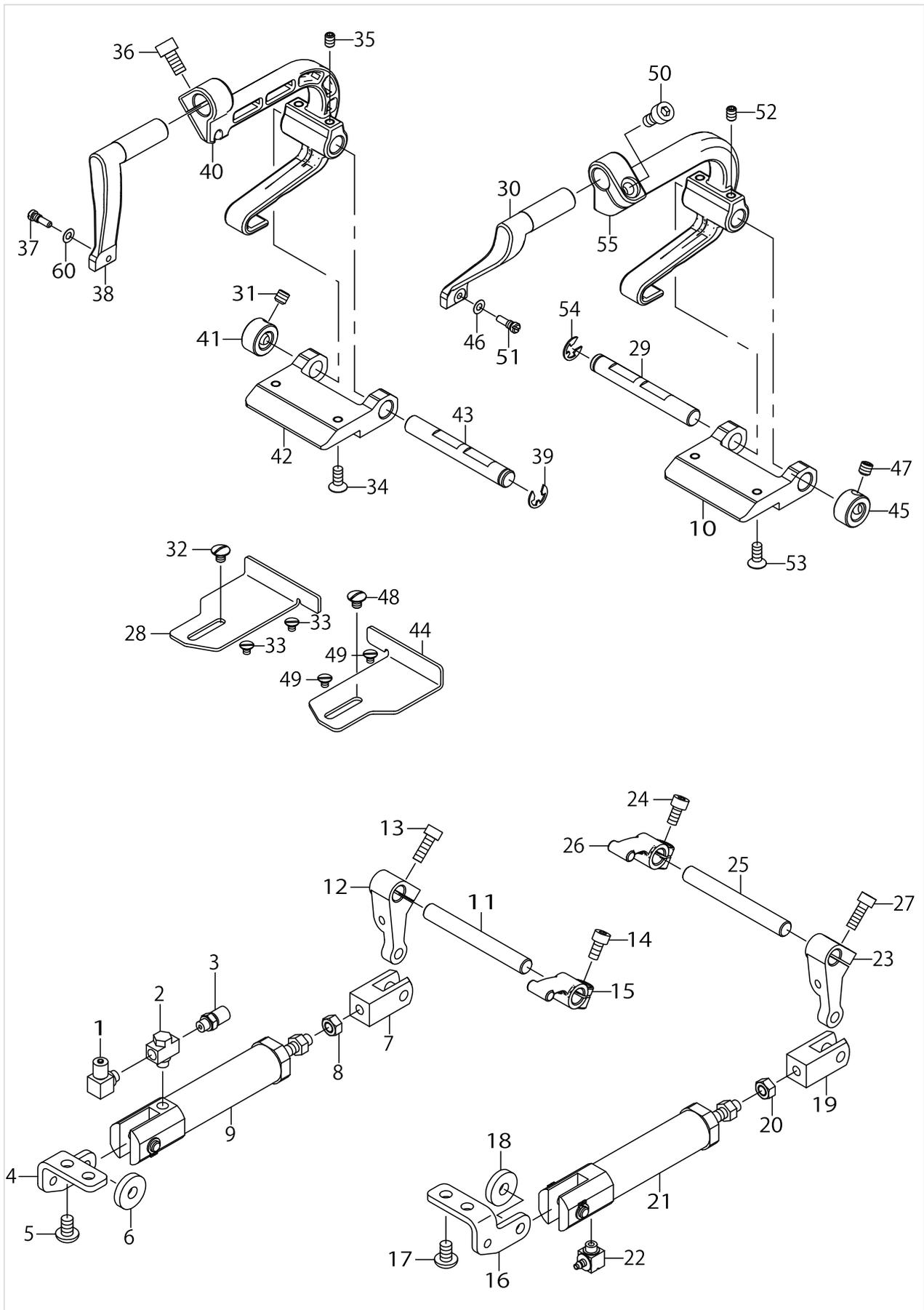
PRESSER COMPONENTS (COMMON)



PRESSER COMPONENTS (COMMON)

No.	Supply Code	Parts No.	Replacement	Parts name	Remarks	Choice	Step	Level	Cons	Qty	Rep. QTY
1		PJ046052503		HOSE ELBOW						1	
2	D	G5681116000		UNIVERSAL TEE						1	
3		PJ032052503		HOSE NIPPLE						1	
4		40115302		CYLINDER BRACKET L						1	
5		SM4050855SP		SCREW						2	
6		WP0553216SD		WASHER						1	
7		PX500020000		KNUCKLE JOINT						1	
8		NM6050001SC		NUT M5X0.8 TYPE1						1	
9		PA1602011A0		AIR CYLINDER						1	
10		40115330		ARM INSTALLING BASE						1	
11		32027401		PRESSER LEVER SHAFT						1	
12		32027203		PRESSER LEVER MOVING ARM						1	
13		SM6041202TP		SCREW M4X0.7 L=12						1	
14		SM6040802TP		SCREW M4X0.7 L=8						1	
15		40115303		PRESSER LEVER B						1	
16		40115304		CYLINDER BRACKET R						1	
17		SM4050855SP		SCREW						2	
18		WP0553216SD		WASHER						1	
19		PX500020000		KNUCKLE JOINT						1	
20		NM6050001SC		NUT M5X0.8 TYPE1						1	
21		PA1602011A0		AIR CYLINDER						1	
22		PJ046052501		ELBOW						1	
23		32027203		PRESSER LEVER MOVING ARM						1	
24		SM6040802TP		SCREW M4X0.7 L=8						1	
25		32027401		PRESSER LEVER SHAFT						1	
26		40115303		PRESSER LEVER B						1	
27		SM6041202TP		SCREW M4X0.7 L=12						1	
28		40115305		VERTICAL GUIDE LEFT						1	
29		40115313		FULCRUM SHAFT						1	
30		40115318		PRESSER ARM RIGHT						1	
31		SM8050512TP		SCREW						2	
32		SM5040550TP		SCREW M4 L=5						1	
33		SM1030400SP		SCREW M3 L=4						2	
34		SM1041001SP		SCREW M4X0.7 L=10						2	
35		SM8040612TP		SCREW M4 L=6						2	
36		SM6051002TN		BOLT						1	
37		14010508		PRESSER FOOT AT-TACHING SCREW						1	
38		40115310		PRESSER ARM LEFT						1	
39		RE0500000KP		E-RING 5						1	
40		40115311		PRESSER ARM BASE LEFT						1	
41		CS0800881TP		THRUST COLLAR						1	
42		40115330		ARM INSTALLING BASE						1	
43		40115313		FULCRUM SHAFT						1	
44		40115314		VERTICAL GUIDE RIGHT						1	
45		CS0800881TP		THRUST COLLAR						1	
46		WZ0320290UZ		WASHER 3.2X6.5X0.15						2	

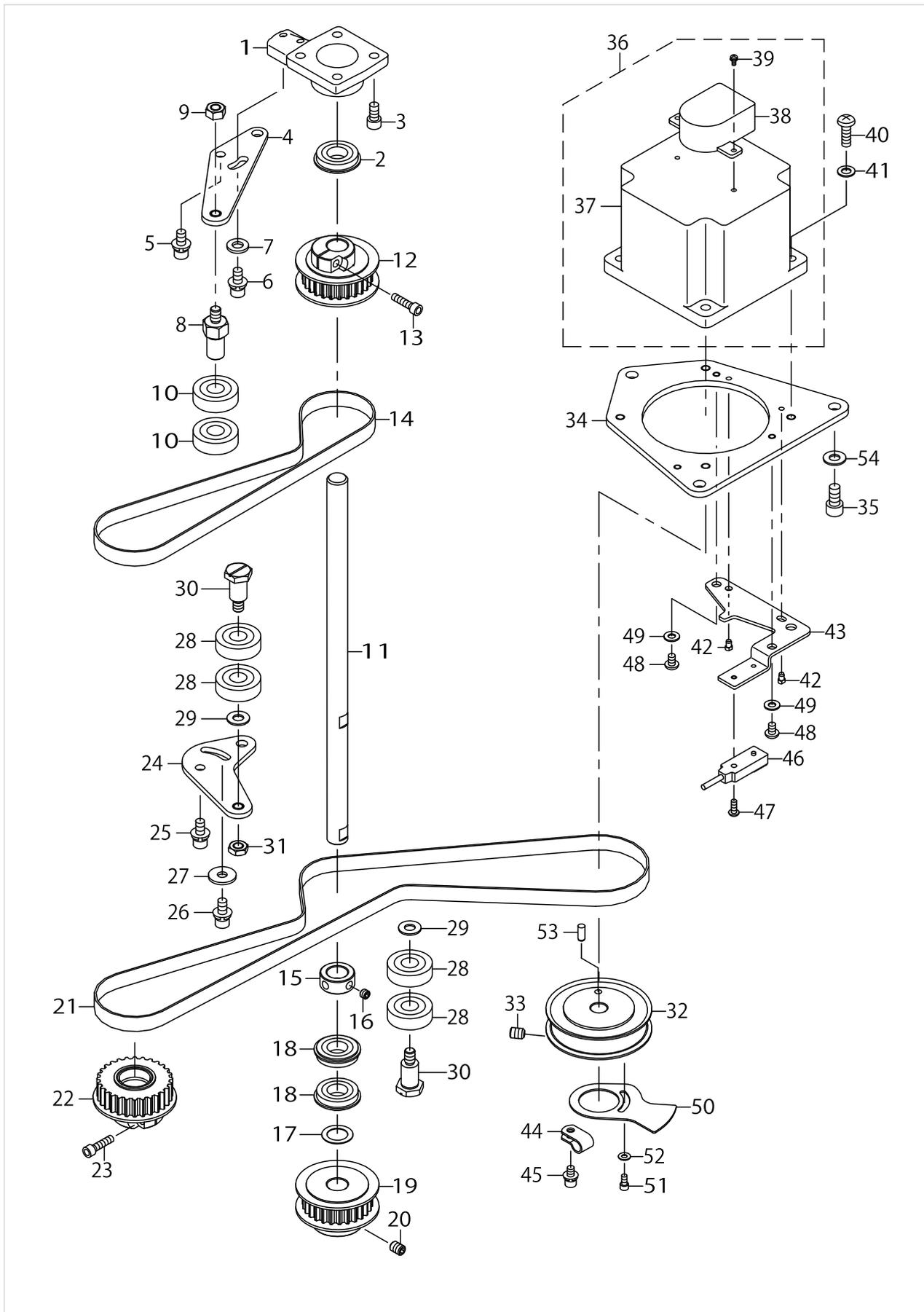
PRESSER COMPONENTS (COMMON)



PRESSER COMPONENTS (COMMON)

No.	Supply Code	Parts No.	Replacement	Parts name	Remarks	Choice	Step	Level	Cons	Qty	Rep. QTY
47		SM8050512TP		SCREW						2	
48		SM5040550TP		SCREW M4 L=5						1	
49		SM1030400SP		SCREW M3 L=4						2	
50		SM6051002TN		BOLT						1	
51		14010508		PRESSER FOOT ATTACHING SCREW						1	
52		SM8040612TP		SCREW M4 L=6						2	
53		SM1041001SP		SCREW M4X0.7 L=10						2	
54		RE0500000KP		E-RING 5						1	
55		40115317		PRESSER ARM BASE RIGHT						1	

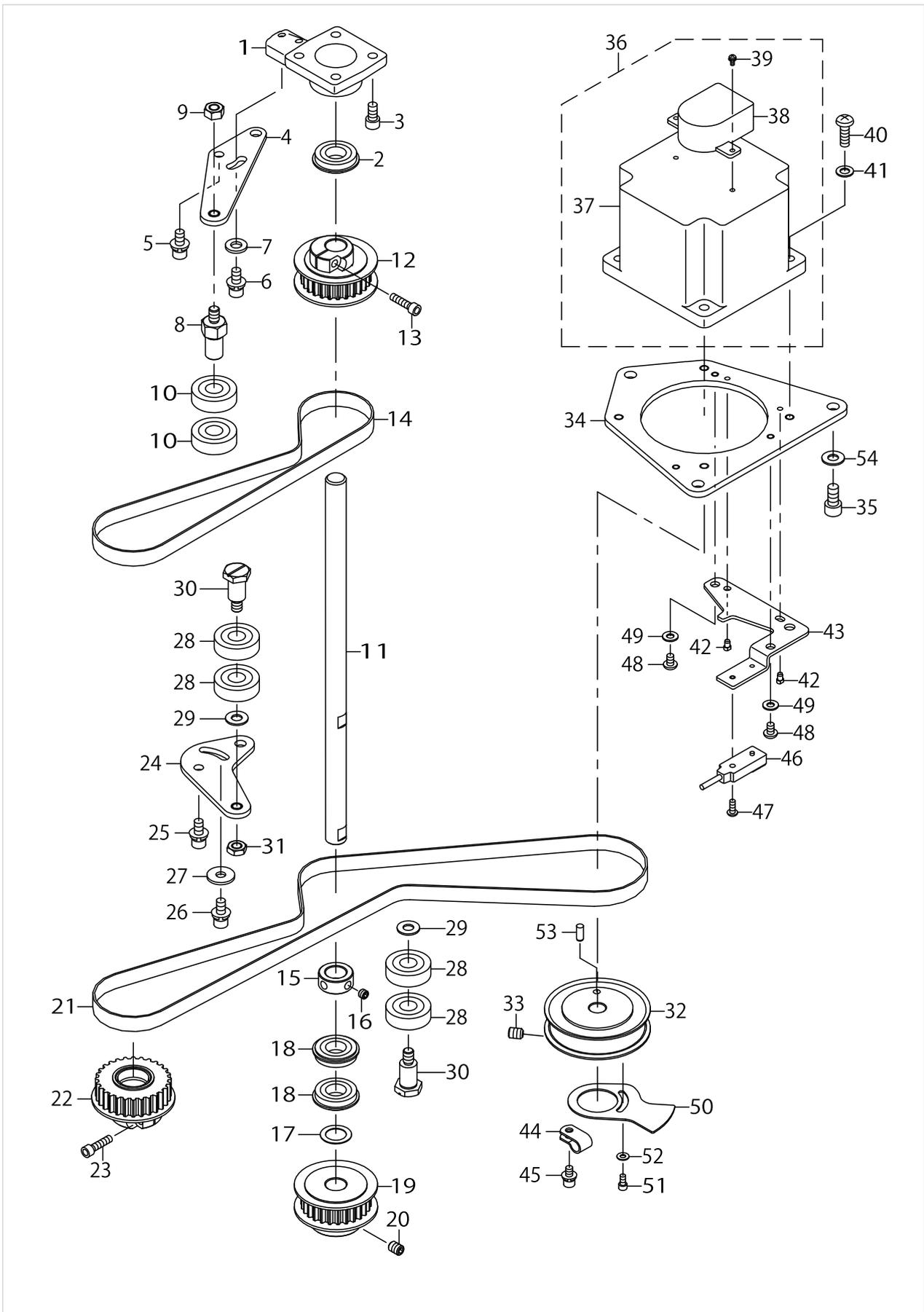
REVOLUTION COMPONENTS



REVOLUTION COMPONENTS

No.	Supply Code	Parts No.	Replacement	Parts name	Remarks	Choice	Step	Level	Cons	Qty	Rep. QTY
1		40115337		CONNECTING SHAFT BLACKET						1	
2		SB112001800		BEARING						1	
3		SM6051002TN		BOLT						4	
4		40115338		TENTION PULLEY BRACKET U						1	
5		SL6051292TN		BOLT						1	
6		SL6051242TN		SCREW						1	
7		WP0561616SC		WASHER 5.6X16X1.6						1	
8		40115339		TENSION PULLEY BRACKET PIN						1	
9		NM6060001SE		NUT M6						1	
10		SB110000400		BALL BEARING						2	
11		40115340		CONNECTING SHAFT						1	
12		40115341		REVOLUTION PULLEY U						1	
13		SM6041602TP		SCREW M4X0.7 L=16						1	
14		40115342		TIMING BELT U					☆	1	
15		CS1200981TP		THRUST COLLAR D=12 W=9						1	
16		SM8050412TP		SCREW M5 L=4						2	
17	D	E2066715000		BU SPACER						1	
18		SB112001800		BEARING						2	
19		40115343		REVOLUTION PULLEY L						1	
20		SM8060812TP		SCREW M6 L=8						2	
21		40115344		TIMING BELT L					☆	1	
22		40115345		LOOPER REVOLUTION PULLEY						1	
23		SM6041602TP		SCREW M4X0.7 L=16						1	
24		40115346		TENSION PULLEY BRACKET L						1	
25		SL6051292TN		BOLT						1	
26		SL6051242TN		SCREW						1	
27		WP0561616SC		WASHER 5.6X16X1.6						1	
28		SB110000400		BALL BEARING						4	
29		WP0621016SD		WASHER 6.2X13X1						2	
30		SD1001526TP		SHOULDER SCREW						2	
31	R	NM6060003SE	NM6060003SC	NUT FOR BRACKET						1	1.00
32		32034308		REVOLUTION MOTOR PULLEY						1	
33		SM8060812TP		SCREW M6 L=8						2	
34		40115347		MOTOR BRACKET						1	
35		SM6061202TP		SCREW M6 L=12						3	
36		40134502		ENCODER MOTOR ASM(R)						1	
37		40136295		STEPPING MOTOR				*		1	
38		HD002780000		SENSOR				*		1	
39		SL4020591SC		SCREW M2X5				*		2	
40		SM4051655SP		SCREW M5 L=16						4	
41		WP0550800SP		WASHER 5.5X10X0.8						4	
42		B1816280000		GUIDE PIN						2	
43		40115348		SENCER BRACKET						1	
44		HX001500000		CLIP						1	
45		SL6040892TN		BOLT						1	
46		40114423		R SENSOR ASM						1	

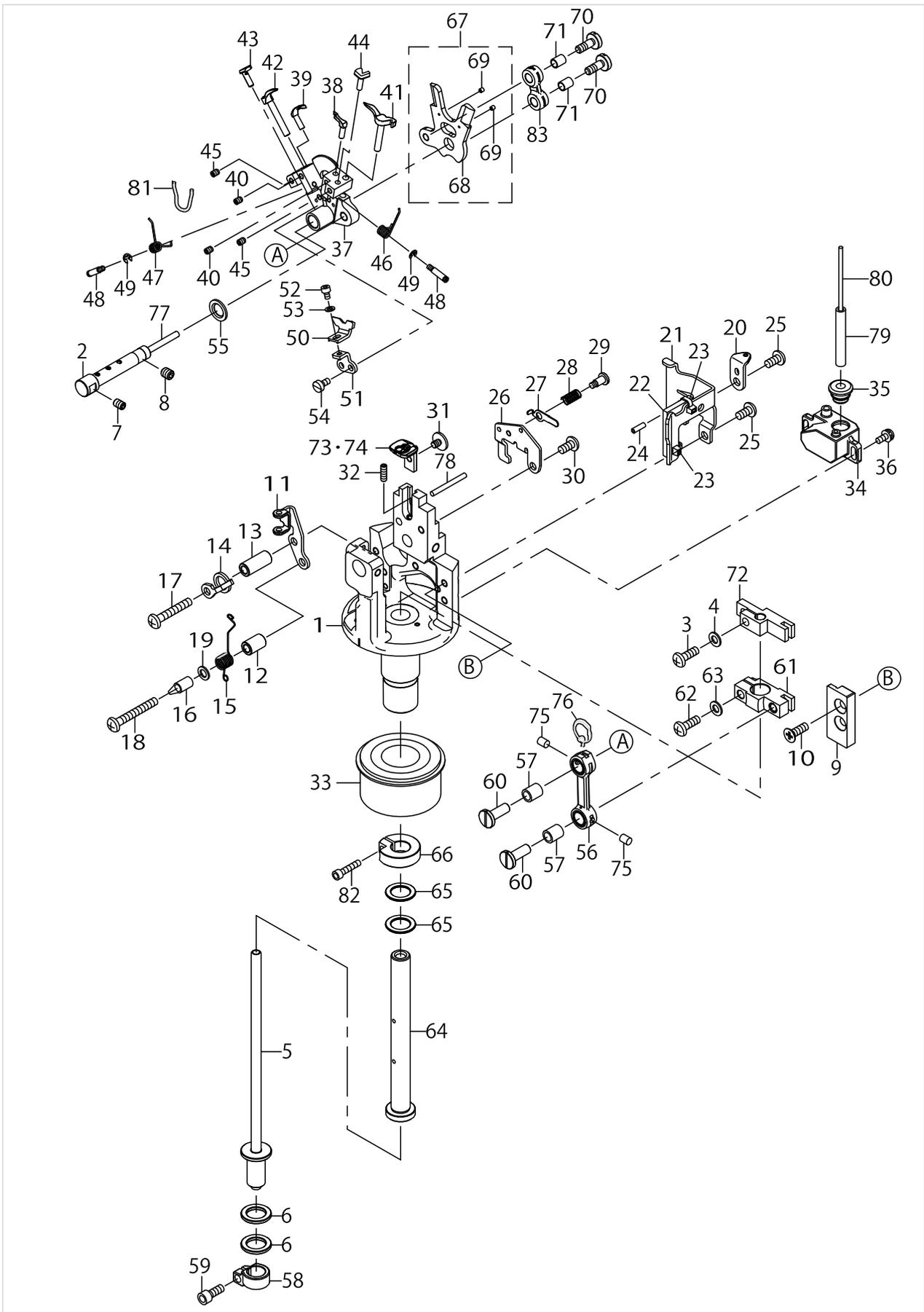
REVOLUTION COMPONENTS



REVOLUTION COMPONENTS

No.	Supply Code	Parts No.	Replacement	Parts name	Remarks	Choice	Step	Level	Cons	Qty	Rep. QTY
47		SM4030801SC		SCREW M3X0.5 L=8						1	
48		SM4040655SP		SCREW M4 L=6						2	
49		WP0430801SC		WASHER M4						2	
50		40115349		SENSOR SLIT						1	
51		SM6030602TP		SCREW M3X0.5 L=6						2	
52		WP0320501SC		WASHER M3						2	
53		PH0400105S0		PIN 4.0X10						1	
54		WP0621016SD		WASHER 6.2X13X1						3	

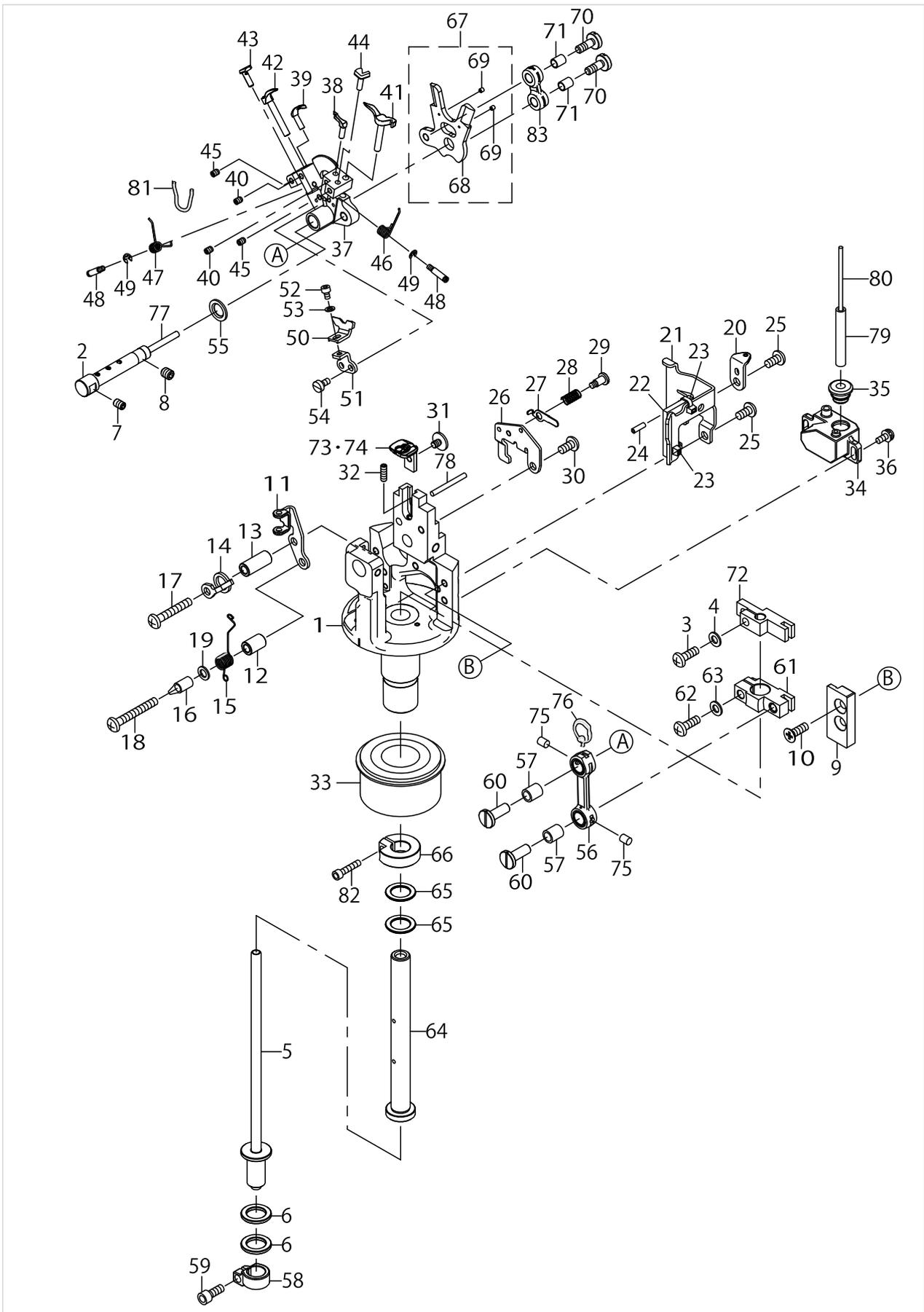
LOOPER DRIVING COMPONENTS



LOOPER DRIVING COMPONENTS

No.	Supply Code	Parts No.	Replacement	Parts name	Remarks	Choice	Step	Level	Cons	Qty	Rep. QTY
1		40144291		LOOPER_BRACKET						1	
2		40115365		FULCRUM SHAFT						1	
3		SM4041055SP		SCREW						1	
4		WP0430800SD		WASHER M4						1	
5		40115397		SPREADER SHAFT ASM						1	
6		10112704		THRUST WASHER 1.8						2	
7		SM8040612TP		SCREW M4 L=6						1	
8		SM80506A2TP		SCREW M5 L=6						1	
9		40115366		SLIDE GUIDE						1	
10		SM1041201SC		SCREW M4 L=12						2	
11		40115367		LOWER THREAD GUIDE						1	
12		40115368		COLLAR						1	
13		40115369		COLLAR						1	
14		40115370		SPRING STOPPER						1	
15		32052409		THREAD TAKE-UP SPRING					☆	1	
16		14045306		ADJUST PIN						1	
17		SM4042555SP		SCREW M4 L=25						1	
18		SM4043055SP		SCREW M4 L=30						1	
19		WP0450846SP		WASHER						1	
20		40115371		GIMP GUIDE B						1	
21		40115400		GIMP GUARD						1	
22		40115401		LOOPER ROD FELT						1	
23		EA9500B0000		CABLE BAND						2	
24		PS0250082KP		SPRING PIN 2.5X8						1	
25		SM4040855SP		SCREW						2	
26		40115372		GIMP GUIDE A						1	
27		32040305		PRESSER PLATE						1	
28		B1135850000		TENSION SPRING (A)						1	
29		14044903		SCREW						1	
30		SM4040855SP		SCREW						1	
31		40115373		SCREW						1	
32		SM8031002TP		SCREW						1	
33		SB120003100		BEARING						1	
34		40115402		OIL TANK						1	
35		40006840		RUBBER BUSH						1	
36		SL4030891SC		SCREW M3X8						2	
37		40115374		LOOPER BASE					☆	1	
38		40115375		LOOPER RIGHT					☆	1	
39		40115376		LOOPER LEFT					☆	1	
40		SM8030412TP		SCREW						2	
41		40115377		SPREADER RIGHT					☆	1	
42		40115378		SPREADER LEFT					☆	1	
43		40015692		SPREADER STOPPER LEFT					☆	1	
44		40015693		SPREADER STOPPER RIGHT					☆	1	
45		SM8030412TP		SCREW						2	
46		40115380		SPREADER SPRING RIGHT					☆	1	

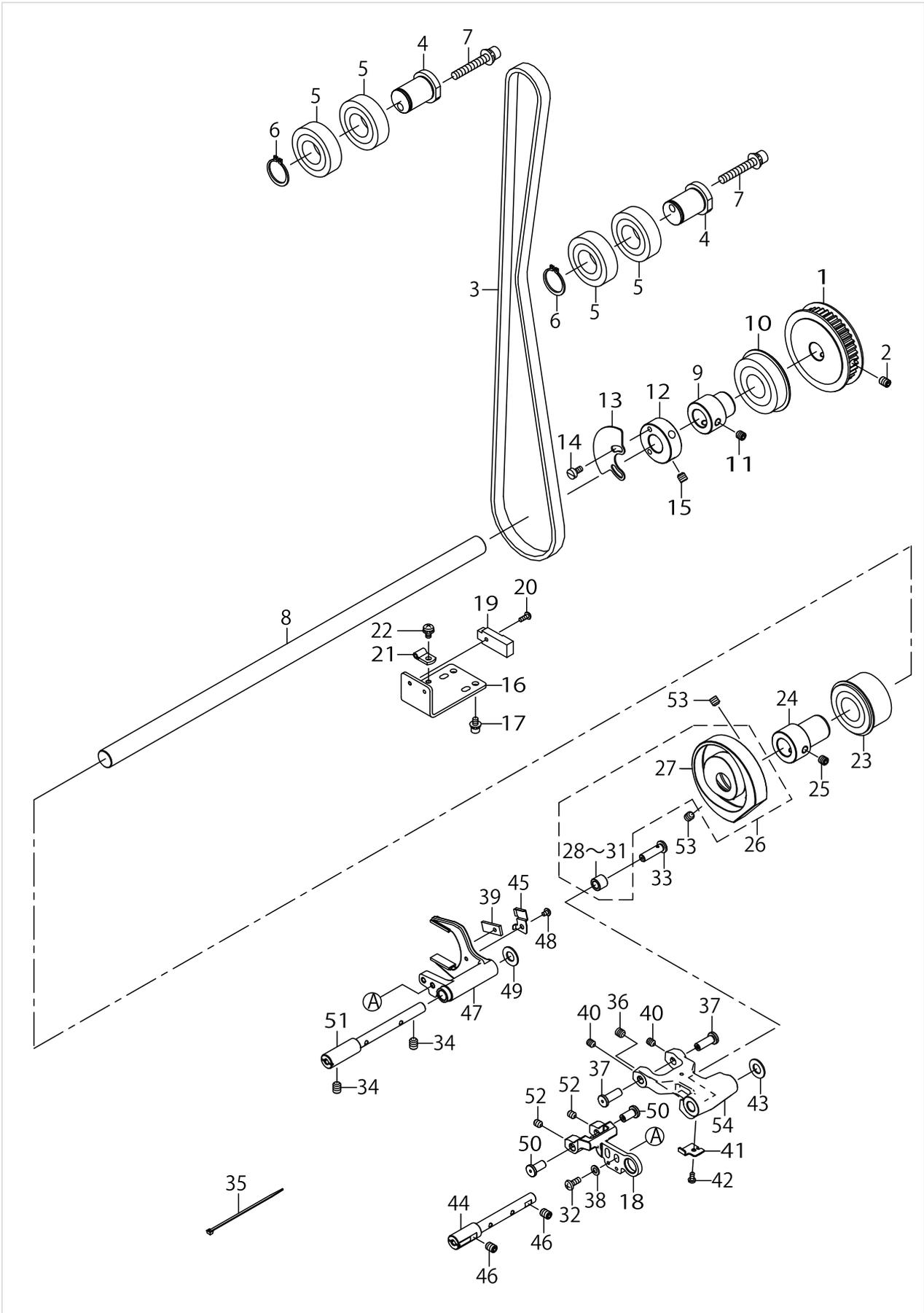
LOOPER DRIVING COMPONENTS



LOOPER DRIVING COMPONENTS

No.	Supply Code	Parts No.	Replacement	Parts name	Remarks	Choice	Step	Level	Cons	Qty	Rep. QTY
47		40115379		SPREADER SPRING LEFT					☆	1	
48		40115381		SPRING GUIDE PIN					☆	2	
49		RE0200000K0		E-RING 2						2	
50		40115382		NEEDLE GUARD					☆	1	
51		40115383		NEEDLE GUARD SUPPORT						1	
52		SM6850402TN		BOLT M2.5 L=4						1	
53		WP0280500SC		WASHER						1	
54		SM6030600SP		SCREW M3X0.5 L=6						2	
55		B4328220000		WASHER						1	
56		40115384		LOOPER ROD ASM						1	
57		40115387		LOOPER ROD BUSHING						2	
58		14028708		LOOPER DRIVING SHAFT COLLAR						1	
59		SM6041002TP		SCREW M4 L=10						1	
60		40115388		LOOPER ROD SCREW						2	
61		40115389		LOOPER SHAFT GUIDE						1	
62		SM4041255SP		SCREW M4 L=12						1	
63		WP0430800SD		WASHER M4						1	
64		40115390		LOOPER SHAFT						1	
65		10109700		THRUST WASHER A						2	
66		40115391		SET COLLAR						1	
67		40149782		SPREADER_DRIVING_CAM_ASM					☆	1	
68		40149783		SPREADER_DRIVING_CAM				*		1	
69		B1821210D00		SHUTTLE OIL FELT B				*		2	
70		40115395		SPREADER ROD SCREW						2	
71		14030001		LOOPER DRIVE BUSHING						2	
72		40115396		SPREADER SHAFT GUIDE						1	
73		40115405		NEEDLE PLATE B00	TYPE J00,C00					1	
74		40115406		NEEDLE PLATE B01	TYPE J01,C01					1	
75		B1820210D00		SHUTTLE OIL FELT A						2	
76		CQ202000000		OIL WICK						.08	
77		CQ3500000F0		OIL FELT						.024	
78		CQ252200000		OIL WICK						.045	
79		23630007		TUBE						.032	
80		CQ200000000		OIL WICK						.15	
81		CQ200000000		OIL WICK						.02	
82		SM6031402TP		SCREW						1	
83		40115394		SPREADER ROD						1	

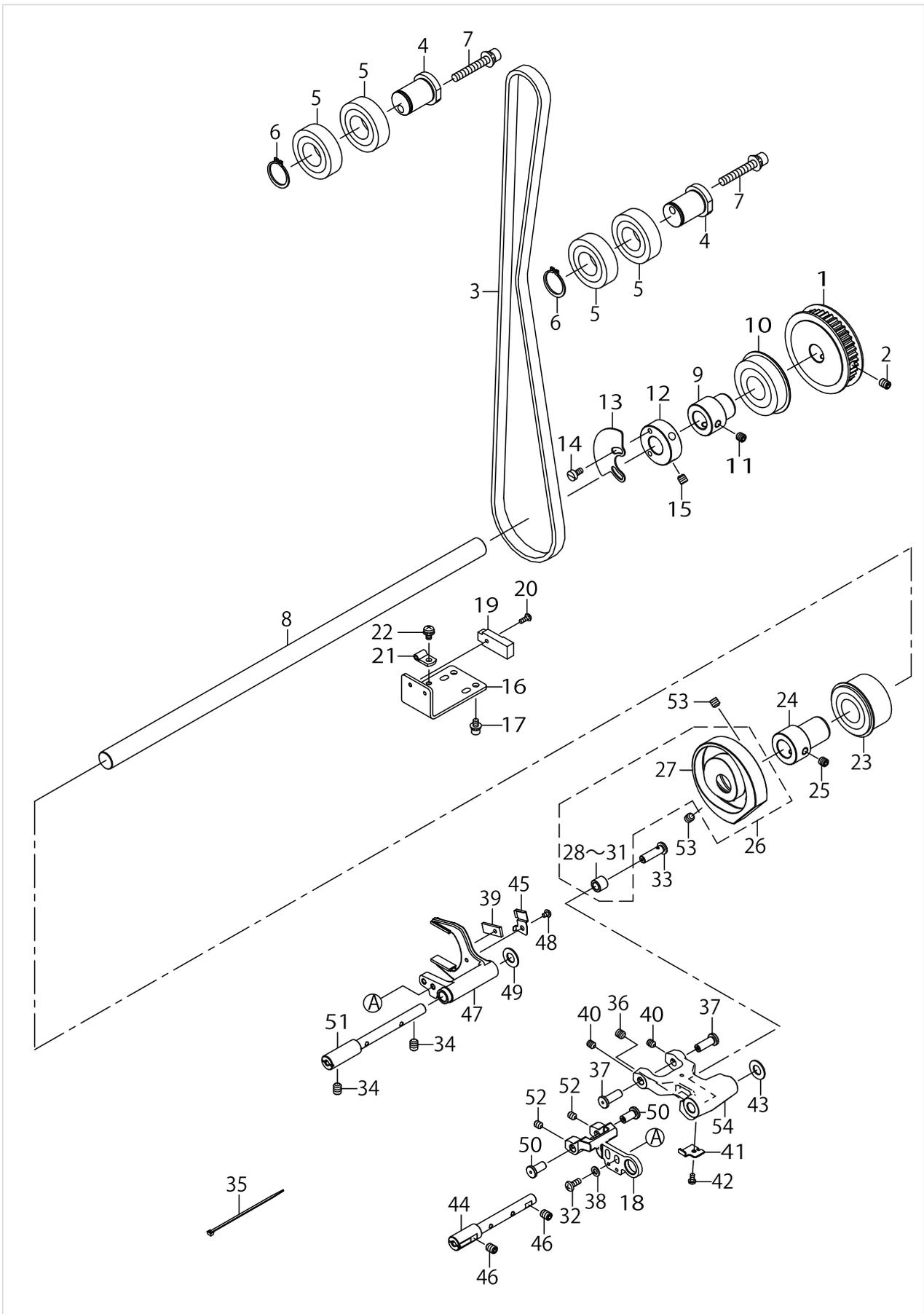
LOWER SHAFT COMPONENTS



LOWER SHAFT COMPONENTS

No.	Supply Code	Parts No.	Replacement	Parts name	Remarks	Choice	Step	Level	Cons	Qty	Rep. QTY
1		40170906		LOWER_SPROCKET						1	
2		SM80508A2TP		SCREW M5 L=8						2	
3		40115418		TIMING BELT					☆	1	
4		40115419		TENSION PULLEY SHAFT						2	
5		SB120000300		BEARING D=20X42						4	
6		RC1850001KP		SNAP RING 18.5						2	
7		SM6064002TP		SCREW M6 L=40						2	
8		40115420		LOWER SHAFT						1	
9		23604200		MAIN SHAFT BEARING SUPPORT						1	
10		SB120002000		BEARING						1	
11		SM8060612TP		SCREW M6 L=6						2	
12		40115421		LOWER SHAFT SENSOR COLLAR						1	
13		40115422		LOWER SHAFT SENSOR SLIT						1	
14		SM6040800SP		SCREW						2	
15		SM80606A2TP		SCREW M6 L=6						2	
16		40115423		LOWER SHAFT SENSOR BRACKET						1	
17		SL6040892TN		BOLT						2	
18		40115439		SPREADER ARM B						1	
19		40114424		IN SENSOR ASM						1	
20		SM4030801SC		SCREW M3X0.5 L=8						1	
21		HX001500000		CLIP						1	
22		SL4040891SC		SCREW M4 L=8						1	
23		SB120003100		BEARING						1	
24		40115466		MAIN SHAFT BEARING SUPPORT						1	
25		SM80606A2TP		SCREW M6 L=6						2	
26		40115426		LOOPER DRIVING CAM ASM						1	
27		40115427		LOOPER DRIVING CAM					*	1	
28		40115430		CAM ROLLER A	SELECTIVE PARTS				*	1	
29		40115431		CAM ROLLER B	SELECTIVE PARTS				*	1	
30		40115432		CAM ROLLER C	SELECTIVE PARTS				*	1	
31		40115433		CAM ROLLER D	SELECTIVE PARTS				*	1	
32		SM4041055SP		SCREW						2	
33		40115425		CAM ROLLER SHAFT						1	
34		SM80608A2TP		SCREW M6 L=8						2	
35		EA9500B0100		CABLE BAND						3	
36		SM80606A2TP		SCREW M6 L=6						1	
37		40115434		LOOPER FORK PIN						2	
38		WP0430800SD		WASHER M4						2	
39		40115440		SPREADERARM FELT						1	
40		SM80506A2TP		SCREW M5 L=6						2	
41		40115435		LOOPER TUBE CLAMP						1	
42		SM4030655SP		SCREW						1	
43		13312202		THRUST WASHER						1	
44		40115436		LOOPER ARM SHAFT						1	
45		40115441		SPREADER FELT CLAMP						1	
46		SM80608A2TP		SCREW M6 L=8						2	

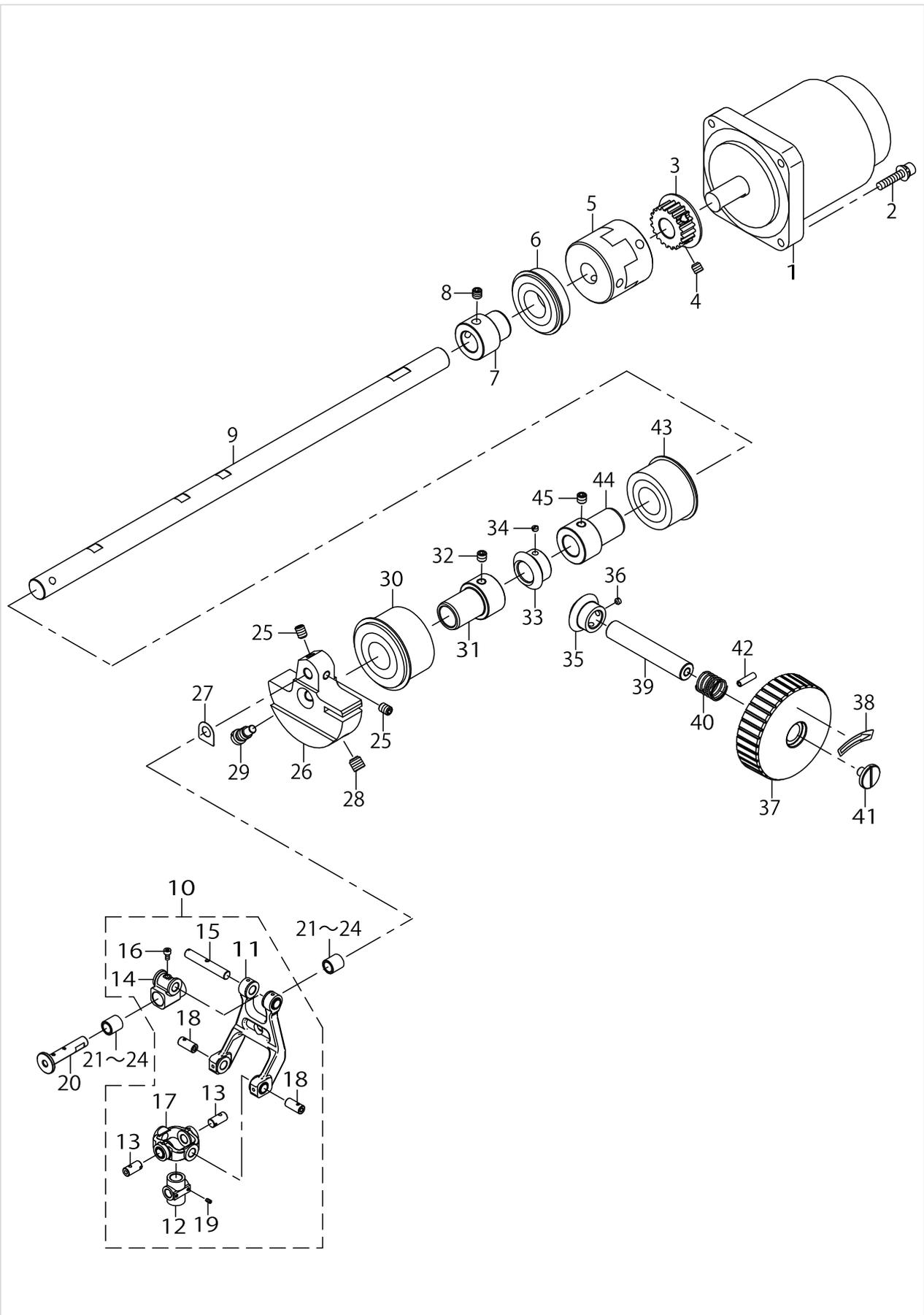
LOWER SHAFT COMPONENTS



LOWER SHAFT COMPONENTS

No.	Supply Code	Parts No.	Replacement	Parts name	Remarks	Choice	Step	Level	Cons	Qty	Rep. QTY
47		40115437		SPREADER ARM A						1	
48		SM4030455SP		SCREW						1	
49		13312202		THRUST WASHER						1	
50		40115438		SPREADER FORK PIN						2	
51		40115442		SPREADER ARM SHAFT						1	
52		SM80506A2TP		SCREW M5 L=6						2	
53		SM8480652TP		SCREW						2	
54		40115424		LOOPER ARM						1	

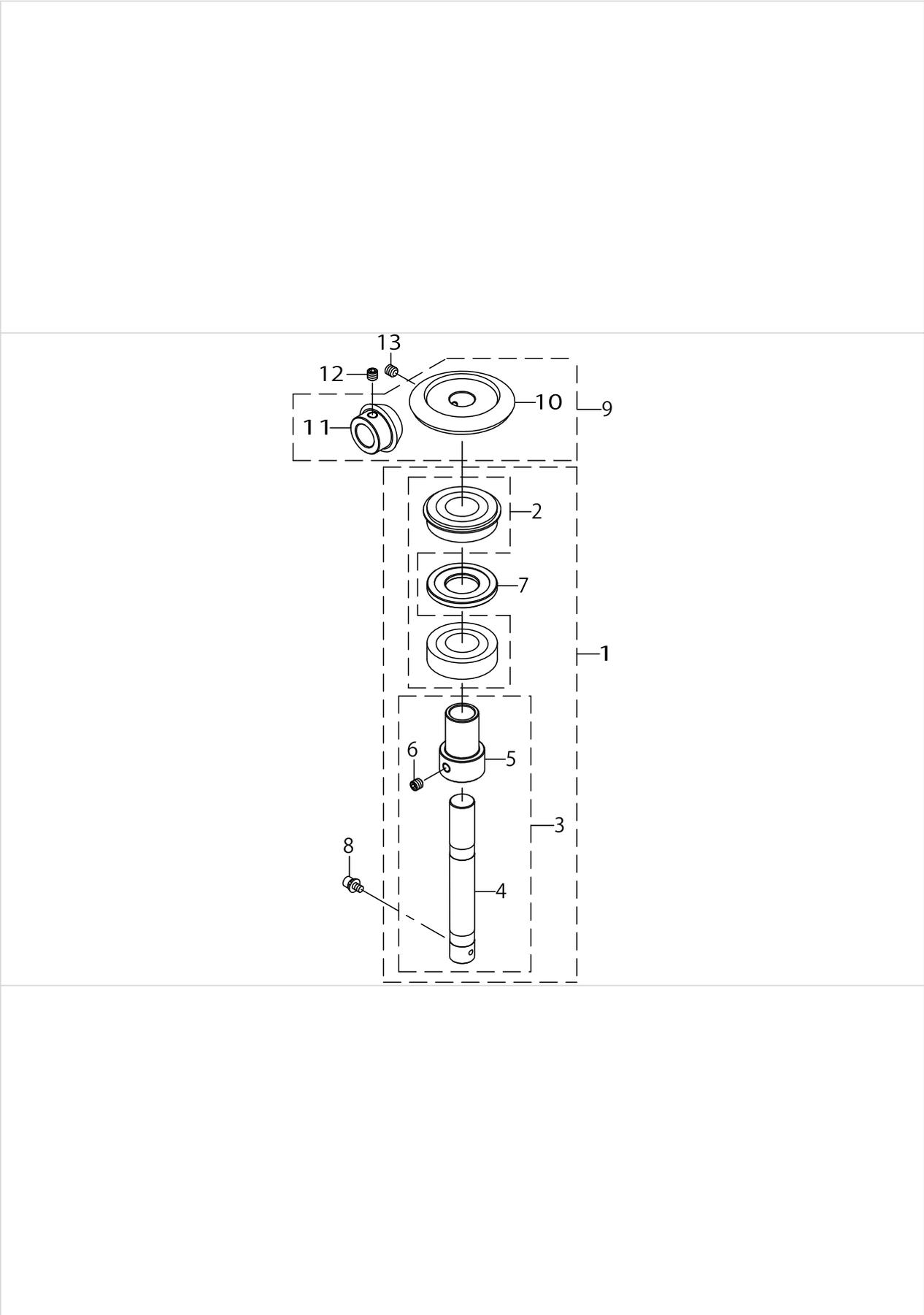
UPPER SHAFT COMPONENTS



UPPER SHAFT COMPONENTS

No.	Supply Code	Parts No.	Replacement	Parts name	Remarks	Choice	Step	Level	Cons	Qty	Rep. QTY
1		40114444		AC SERVO MOTOR						1	
2		SL6052592TN		BOLT						4	
3		40170907		UPPER_SPROCKET						1	
4		SM80506A2TP		SCREW M5 L=6						2	
5		40051473		COUPLING ASM.						1	
6		SB120001600		BEARING						1	
7		23604200		MAIN SHAFT BEARING SUPPORT						1	
8		SM80606A2TP		SCREW M6 L=6						2	
9		40115453		UPPER SHAFT						1	
10		40151034		CRANK ROD ASM.						1	
11		40151035		CRANK ROD METAL ASM.				*		1	
12	R	40115458	40151034	NEEDLE BAR CONNECTION				*		1	1.00
13		40115467		NEEDLE BAR CONNECTION BASE SHAFT				*		2	
14	R	40115459	40151034	CRANK ROD ROCKING SHAFT BASE				*		1	1.00
15		40115461		CRANK ROD SEESAW SHAFT				*		1	
16		SM6850502TN		SCREW M2.5 L=5				*		1	
17		40151037		CONNECTION BASE ASM.				*		1	
18		40115460		NEEDLE BAR CONNECTIONBASE SHAFT				*		2	
19		SM8020452TP		SCREW				*		2	
20		40115464		CRANK ROD ROCKING SHAFT						1	
21		SB30700020A		BEARING	SELECTIVE PARTS					2	
22		SB30700020B		BEARING	SELECTIVE PARTS					2	
23		SB30700020C		BEARING	SELECTIVE PARTS					2	
24		SB30700020D		BEARING	SELECTIVE PARTS					2	
25		SM8060812TP		SCREW M6 L=8						2	
26		40115465		COUNTER WEIGHT						1	
27		40115468		COUNTER WEIGHT PLATE						1	
28		SM8080812TP		SCREW M8X8						1	
29		13309208		SCREW FOR COUNTERWEIGHT						1	
30		SB120003000		BEARING						1	
31		40115466		MAIN SHAFT BEARING SUPPORT						1	
32		SM80606A2TP		SCREW M6 L=6						2	
33		40006515		GEAR A						1	
34		SM8040310SS		SCREW M4 L=3						2	
35		40006516		GEAR B						1	
36		SM8040310SS		SCREW M4 L=3						2	
37		B1212210D00		PULLEY						1	
38		CM500200001		DIRECTION LABEL.						1	
39		40044053		PULLEY SHAFT						1	
40		GAF01007000		SPRING						1	
41		A1230500000A		HANDWHEEL SETSCREW						1	
42		PS0400142KH		SPRING PIN 4X14						1	
43		SB120003100		BEARING						1	
44		40115466		MAIN SHAFT BEARING SUPPORT						1	
45		SM80606A2TP		SCREW M6 L=6						2	

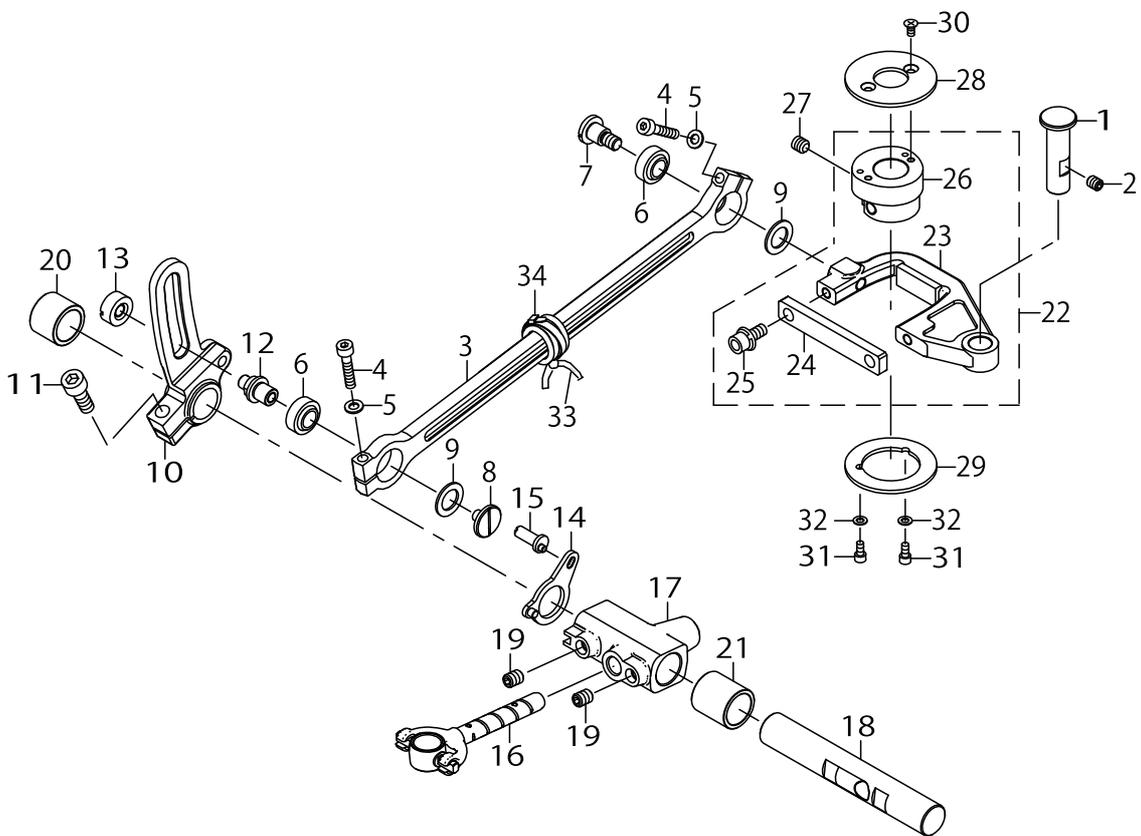
VERTICAL SHAFT COMPONENTS



VERTICAL SHAFT COMPONENTS

No.	Supply Code	Parts No.	Replacement	Parts name	Remarks	Choice	Step	Level	Cons	Qty	Rep. QTY
1		40130905		VERTICAL SHAFT BEARING ASM.						1	
2		SB120003100		BEARING				*		1	
3		40131483		BALANCE BUSH ASM.				*		1	
4		40115477		VERTICAL SHAFT				*		1	
5		40115478		BALANCE BUSH				*		1	
6		SM80606A2TP		SCREW M6 L=6				*		2	
7		40115479		BEARING COLLER				*		1	
8		SL6040642TN		BOLT						1	
9		40132293		VERTICAL_SHAFT_GEAR_ASM						1	
10	R	40132292	40132293	VERTICAL_SHAFT_GEAR_UPPER				*		1	1.00
11		40132291		UPPER_SHAFT_GEAR				*		1	
12		SM80606A2TP		SCREW M6 L=6						2	
13		SM80606A2TP		SCREW M6 L=6						2	

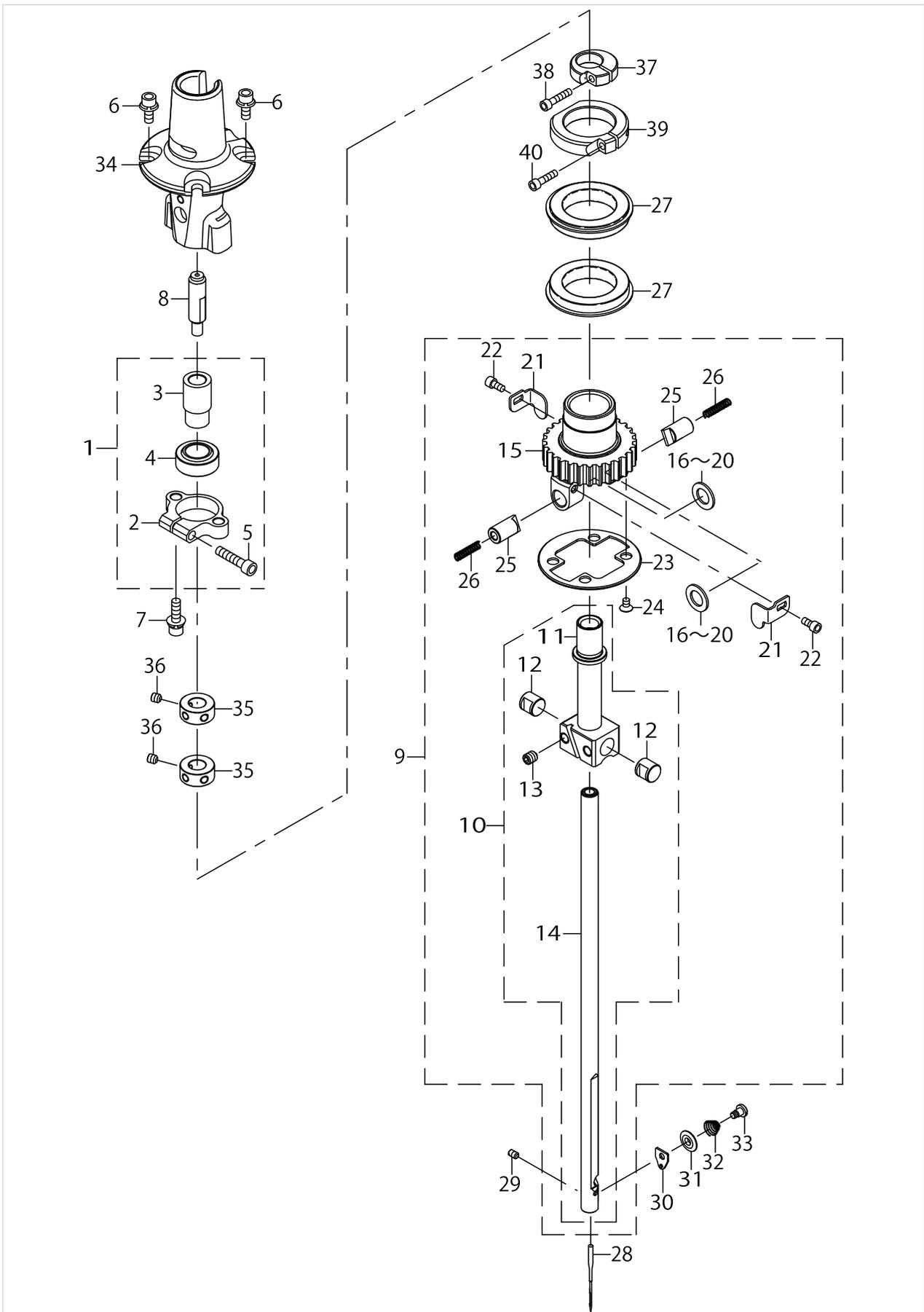
NEEDLE BAR ROCKING COMPONENTS



NEEDLE BAR ROCKING COMPONENTS

No.	Supply Code	Parts No.	Replacement	Parts name	Remarks	Choice	Step	Level	Cons	Qty	Rep. QTY
1		40115514		PITMAN FULCRAUM SHAFT						1	
2		SM8050612TP		SCREW M5X6						1	
3		40115493		ROCKING LINK A						1	
4		SM6042002TP		SCREW M4X0.7 L=20						2	
5		WP0430800SC		WASHER M4						2	
6		SB808000200		BEARING						2	
7		SD0800746TP		SHOULDER SCREW						1	
8		SM6050650TP		SCREW M5 L=6						1	
9		40086712		CONNECTING ROD FELT						2	
10		40115494		ADJUSTING ARM						1	
11		SM6061602TP		SCREW M6 L=16						1	
12		40115495		HINGE SCREW						1	
13		40115496		ADJUST NUT						1	
14		40115497		ASSY POSITION CONTROL PLATE						1	
15		40115500		ECCENTRIC SHAFT						1	
16		40115501		ASSY NEEDLE BAR LOCK LINK						1	
17		40115504		ROCKING BASE						1	
18		40115505		FULCRAUM SHAFT						1	
19		SM8060812TP		SCREW M6 L=8						2	
20		40115506		METAL L						1	
21		40115507		METAL R						1	
22		40115508		ASSY ROCKING CAM						1	
23	R	40115509	40115508	NEEDLE BAR PITMAN				*		1	1.00
24	R	40115510	40115508	PITMAN PLATE				*		1	1.00
25		SL6051292TN		BOLT				*		2	
26	R	40115511	40115508	ROCKING CAM				*		1	1.00
27		SM8480652TP		SCREW						2	
28		40115512		CAM PLATE						1	
29		40115513		CAM PLATE U						1	
30		SM1030601SP		SCREW M3 L=6						2	
31		SM6030602TP		SCREW M3X0.5 L=6						2	
32		WP0320500SC		WASHER M3						2	
33		CQ252200000		OIL WICK						.3	
34		EA9500B0200		CABLE BAND 150						1	

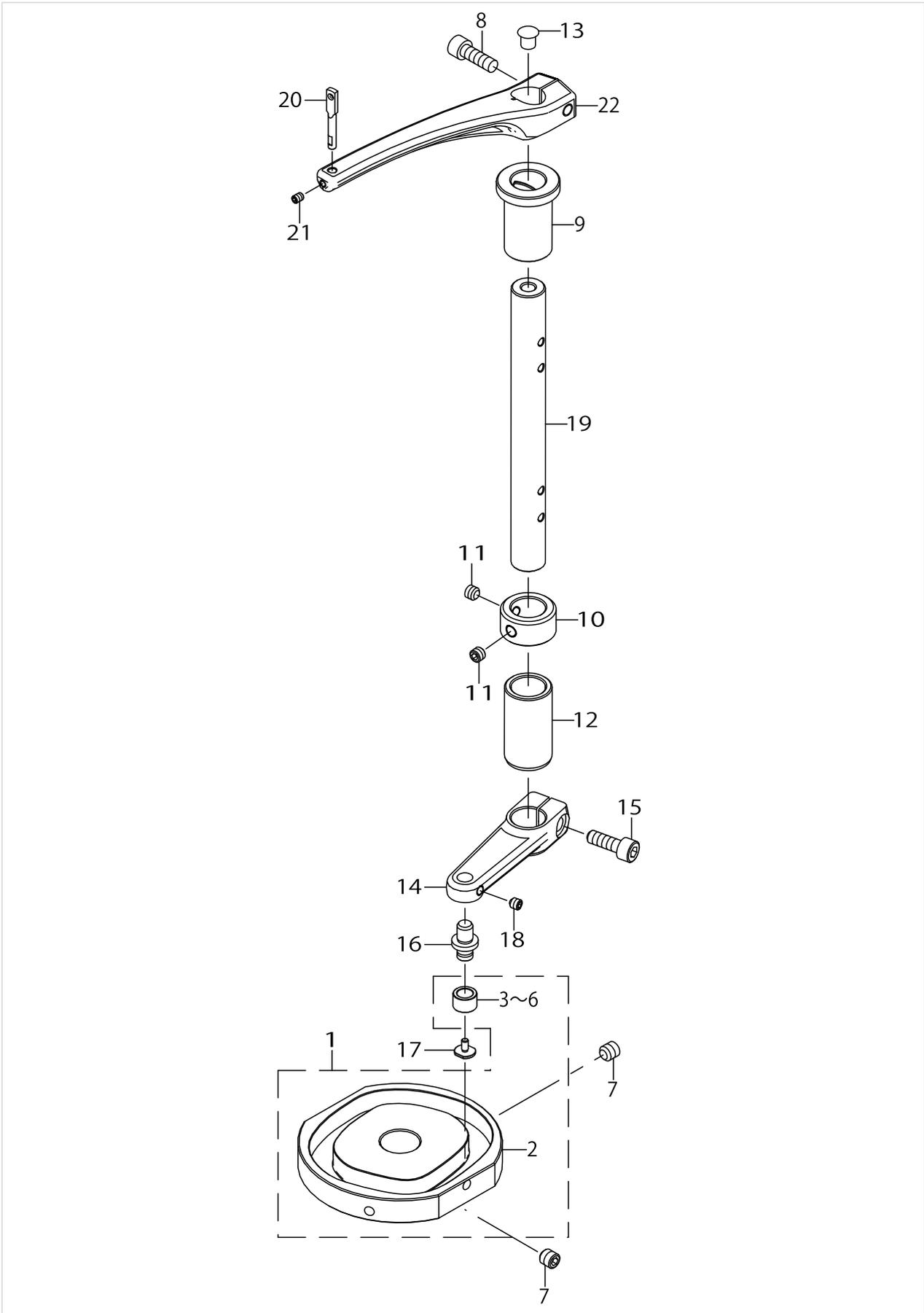
NEEDLE BAR COMPONENTS



NEEDLE BAR COMPONENTS

No.	Supply Code	Parts No.	Replacement	Parts name	Remarks	Choice	Step	Level	Cons	Qty	Rep. QTY
1		40115550		NEEDLE BAR METAL ASM						1	
2		40115546		NEEDLE BAR METAL HOLDER				*		1	
3		40115545		NEEDLE BAR METAL COLLAR				*		1	
4		40115547		BEARING				*		1	
5		SM6041802TP		SCREW M4 L=18				*		1	
6		SL6041092TN		SCREW						4	
7		SL6041492TN		SCREW						2	
8		40115525		NEEDLE BAR THREAD GUIDE ASM					☆	1	
9		40145281		ASSY_NEEDLE_BAR						1	
10		40151038		NEEDLE BAR ROCKING BASE ASM				*		1	
11		40151039		NEEDLE BAR ROCKING BASE				*		1	
12		40115530		NEEDLE BAR THRUST PIN				*		2	
13		SM80506A2TP		SCREW M5 L=6				*		2	
14		40115531		NEEDLE BAR				*		1	
15		40145279		NEEDLE_SPROCKET				*		1	
16		40151040		THRUST WASHER A	SELECTIVE PARTS			*		2	
17		40151041		THRUST WASHER B	SELECTIVE PARTS			*		2	
18		40151042		THRUST WASHER C	SELECTIVE PARTS			*		2	
19		40151043		THRUST WASHER D	SELECTIVE PARTS			*		2	
20		40151044		THRUST WASHER E	SELECTIVE PARTS			*		2	
21		40115535		ROCKING GUIDE HOOK				*		2	
22		SM6030602TP		SCREW M3X0.5 L=6				*		2	
23		40145280		FRANGE B				*		1	
24		SM1030501SC		SCREW M3 L=5				*		4	
25		14009104		NEEDLE BAR ROCKING GUIDE				*		2	
26		14009203		SPRING				*		2	
27		SB125000500		BEARING						2	
28		MC185801100		NEEDLE SCHMETZ 558 NM110					☆	1	
29		SM8430550TP		SCAREW M3X0.35 L=4.5						1	
30		40115448		THREAD GUIDE					☆	1	
31		B2313180000		TENSION DISC					☆	1	
32		14045900		TENSION SPRING					☆	1	
33		14045801		SCREW					☆	1	
34		40115524		NEEDLE BAR COVER					☆	1	
35		40115492		COLLAR						2	
36		SM8040412TP		SET SCREW M4 L=4						6	
37		40115543		THRUST COLLAR						1	
38		SM6031402TP		SCREW						1	
39		40115544		REVLUUTION COLLAR						1	
40		SM6031202TP		SCREW M3X0.5 L=12						1	

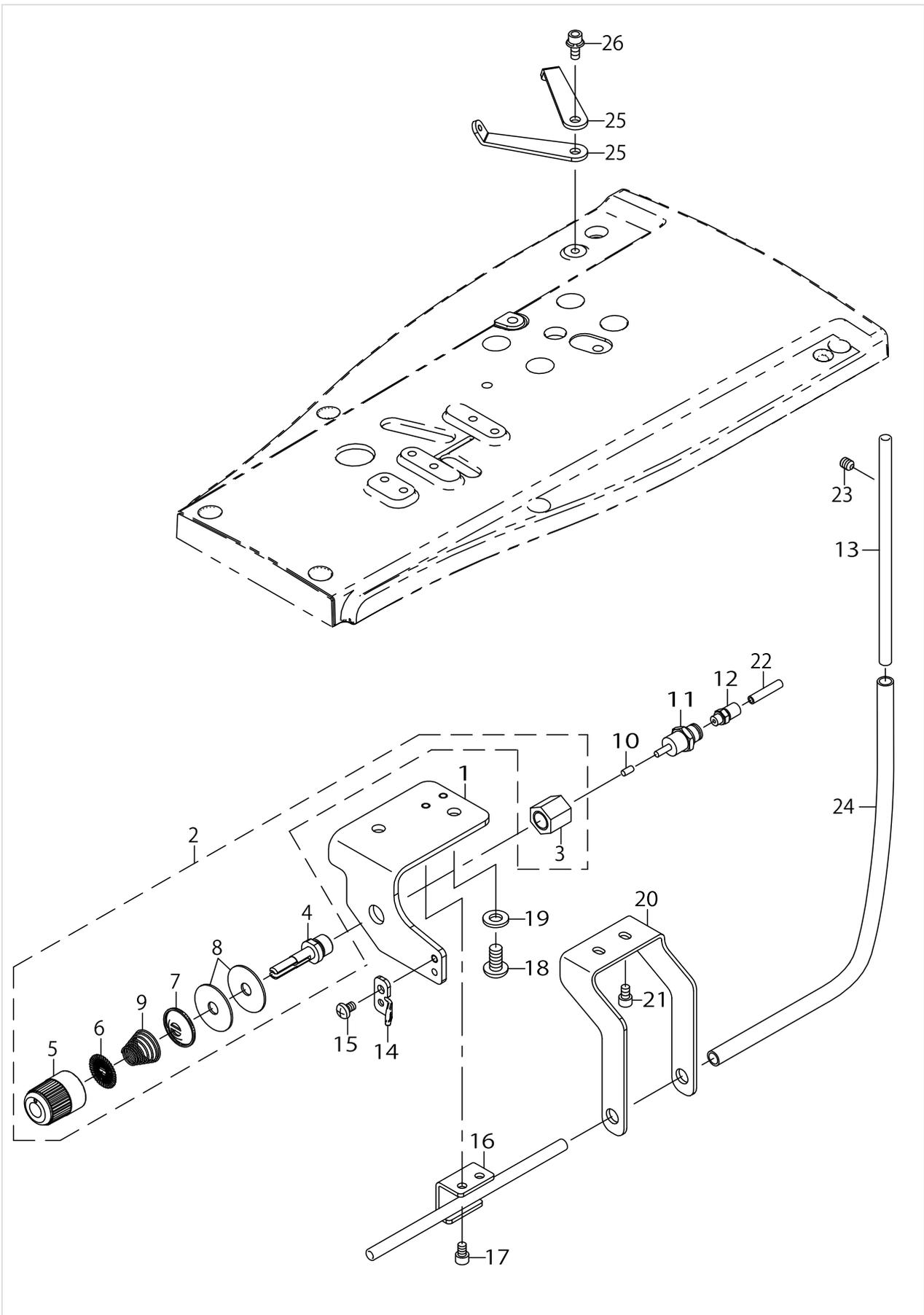
THREAD TAKE-UP LEVER COMPONENTS



THREAD TAKE-UP LEVER COMPONENTS

No.	Supply Code	Parts No.	Replacement	Parts name	Remarks	Choice	Step	Level	Cons	Qty	Rep. QTY
1		40115563		TAKE UP CAM ASM						1	
2		40115564		TAKE UP CAM				*		1	
3		40099989		SPREADER CAM ROLLER A	SELECTIVE PARTS			*		1	
4		40099990		SPREADER CAM ROLLER B	SELECTIVE PARTS			*		1	
5		40099991		SPREADER CAM ROLLER C	SELECTIVE PARTS			*		1	
6		40099992		SPREADER CAM ROLLER D	SELECTIVE PARTS			*		1	
7		SM80606A2TP		SCREW M6 L=6						2	
8		SM6051552TP		SCREW M5 L=15						1	
9		40115560		THREAD TAKE UP METAL U						1	
10		40115561		THRUST COLLER						1	
11		SM8050412TP		SCREW M5 L=4						2	
12		40115562		THREAD TAKE UP METAL L						1	
13		TA0550604R0		RUBBER PLUG						1	
14		40115566		THREAD TAKE UP LEVER L						1	
15		SM6051552TP		SCREW M5 L=15						1	
16		40115567		ROLLER SHAFT						1	
17		40099923		CAM ROLLER SCREW						1	
18		SM8040402TP		SCREW M4X0.7 L=4						1	
19		40115557		THREAD TAKE UP LEVER SHAFT						1	
20		40115558		TAKE UP THREAD GUIDE					☆	1	
21		SM8030412TP		SCREW						1	
22		40115559		THREAD TAKE UP LEVER U						1	

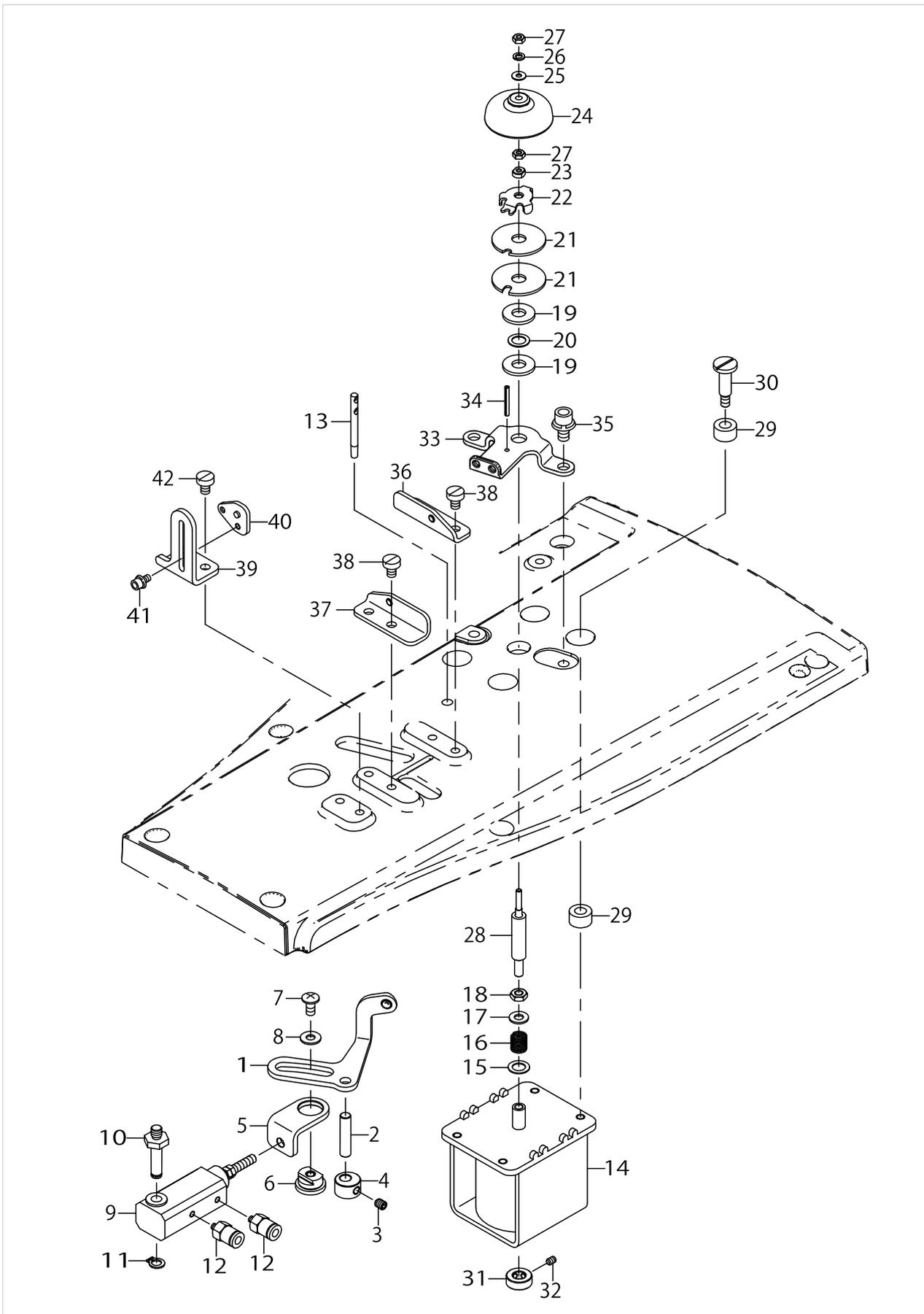
LOWER THREAD HAUL COMPONENTS



LOWER THREAD HAUL COMPONENTS

No.	Supply Code	Parts No.	Replacement	Parts name	Remarks	Choice	Step	Level	Cons	Qty	Rep. QTY
1		40118782		THREAD TENSION BRACKET						1	
2		40115578		LOWER THREAD TENSION ASM						1	
3	R	40115579	40115578	THREAD TENSION POST BASE				*		1	1.00
4		40115580		THREAD TENSION POST				*		1	
5		13341102		KNOB BLUE				*		1	
6		22921407		ROTATION STOPPER				*		1	
7		22921803		DISK STOPPER				*		1	
8	R	22928907	22921506	THREAD TENSION DISK				*		2	1.00
9	R	B3121804000	40102003	TENSION SPRING				*		1	1.00
10		PH0300062C0		PIN						1	
11		PA0600504A0		AIR CYLINDER						1	
12		PJ032052503		HOSE NIPPLE						1	
13		40115588		THREADGUIDEPIPEB						1	
14		40115581		THREAD GUIDE						1	
15		SM4040655SP		SCREW M4 L=6						1	
16		40115585		LOWER THREAD PIPE B ASM						1	
17		SM6040602TP		SCREW M4 L=6						2	
18		SM4061255SP		SCREW M6 L=12						2	
19		WP0641601SD		WASHER M6						2	
20		40115589		TUBE STAY						1	
21		SM6040602TP		SCREW M4 L=6						2	
22		BT0400251EB		URETHANE HOSE BLACK						3	
23		SM8050612TP		SCREW M5X6						1	
24		BT0800601B0		FEP TUBE CLEAR 8X6						.27	
25		B1128850000		LOOPER THREAD GUIDE						2	
26		SL6041092TN		SCREW						1	

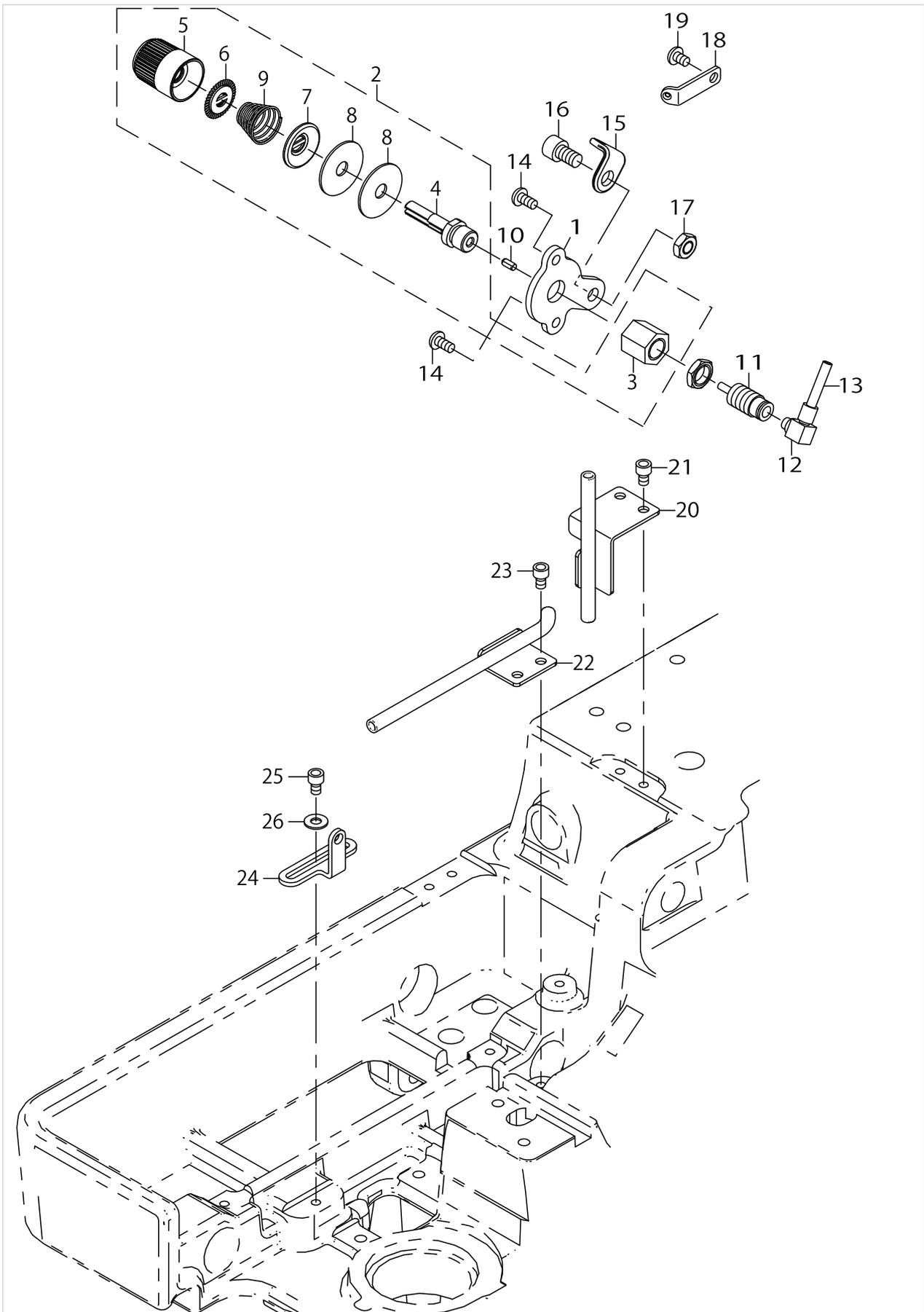
UPPER THREAD HAUL COMPONENTS



UPPER THREAD HAUL COMPONENTS

No.	Supply Code	Parts No.	Replacement	Parts name	Remarks	Choice	Step	Level	Cons	Qty	Rep. QTY
1		40115597		THREAD HAUL ASM						1	
2		13409800		DIFF LINK PIN						1	
3		SM8040502TP		SCREW M4X0.7 L=5						1	
4		40115599		THRUST COLLER						1	
5		40115600		THREAD HAUL PLATE						1	
6		40115601		THREAD HAUL NUT						1	
7		SM0040801SC		SCREW						1	
8		14030100		WASHER						1	
9		PA1001029A0		AIR CYLINDER						1	
10		40115602		AIR CYRINDER PIN						1	
11		RC0470611KP		RETAINING RING 4.7						1	
12		PJ210304010		HALF UNION						2	
13		22502504		THREAD GUIDE BAR						1	
14		32054900		AT (UPPER)						1	
15		26217604		WASHER						1	
16		32055501		AT (UPPER) SPRING						1	
17		WP0430801SC		WASHER M4						1	
18		NM6040003SC		NUT M4						1	
19		40008423		WASHER						2	
20		32053506		THREAD TENSIONS RUBBER SEAT						1	
21		40020389		THREAD TENSION DISK						2	
22		40115603		DISK STOPPER						1	
23		40115604		THREAD TENTION SHAFT COLLER						1	
24		40115605		AT DISK COVER						1	
25		WP0250501SC		WASHER 2.5X6.5						1	
26		WS0310002KR		SPRING WASHER 3.1X5.9X0.7						1	
27		NM6850001SC		NUT M2.5X0.45 TYPE1						2	
28		40115606		THREAD TENSION SHAFT						1	
29		40115607		RUBBER CUSHION						8	
30		40115608		AT SHOULDER SCREW						4	
31		40010477		AT SOL COLLAR						1	
32		SM8030412TP		SCREW						2	
33		40020390		AT THREAD GUIDE						1	
34		PS0200162KH		SPRING PIN						1	
35		SL6051092TN		BOLT						2	
36		40115609		THREAD GUIDE ASMA						1	
37		40115611		THREAD GUIDE ASMB						1	
38		SM6040650TP		SCREW						4	
39		40115612		THREAD TAKE UP STAND						1	
40		40115613		MOVABLE THREAD GUIDE						1	
41		SL6030692TN		SCREW M3 L=6						1	
42		SM6040650TP		SCREW						2	

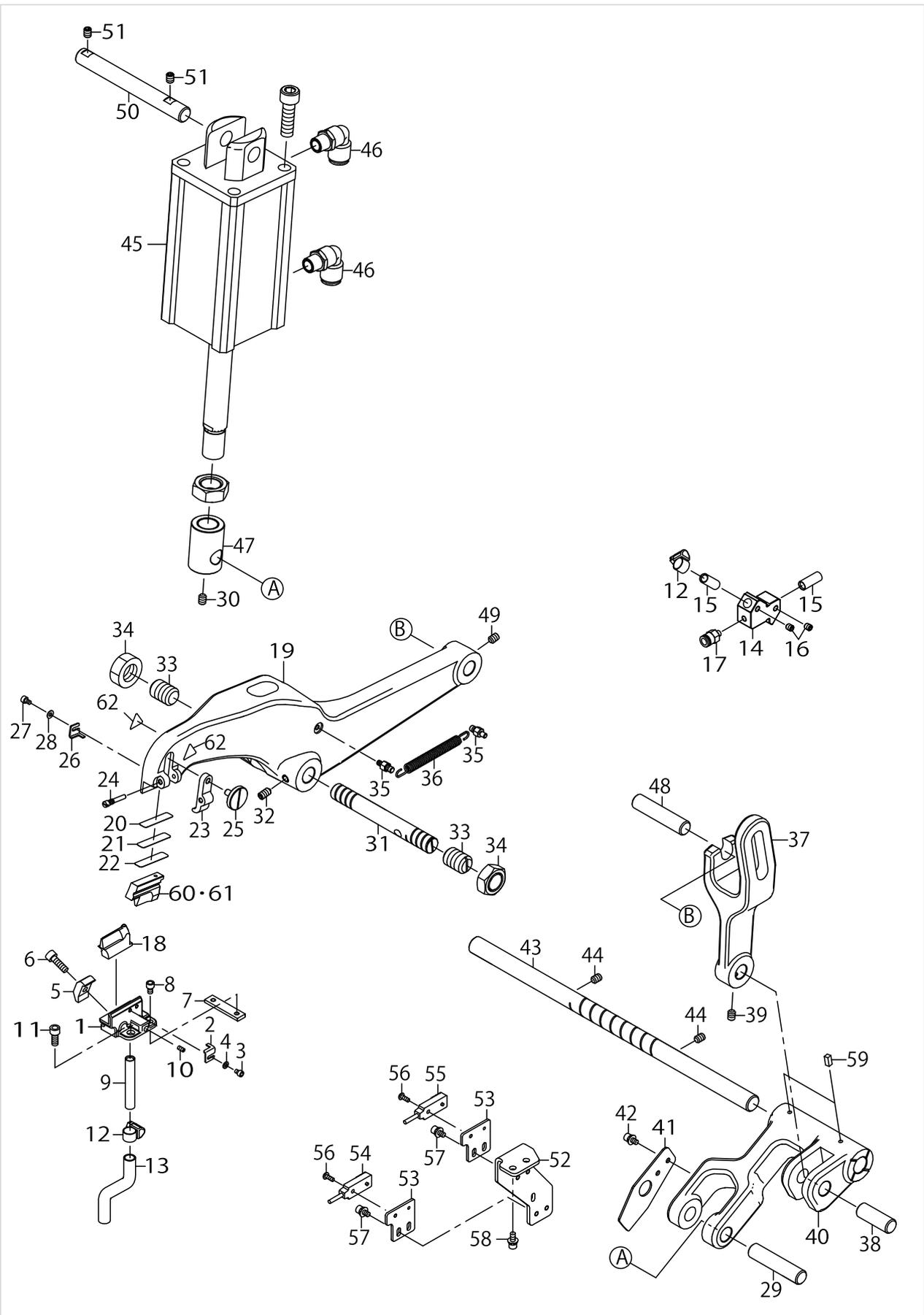
GIMP HAUL COMPONENTS



GIMP HAUL COMPONENTS

No.	Supply Code	Parts No.	Replacement	Parts name	Remarks	Choice	Step	Level	Cons	Qty	Rep. QTY
1		40115622		THREAD TENSION BRACKET						1	
2		40115578		LOWER_THREAD_TENSION_ASM						1	
3	R	40115579	40115578	THREAD TENSION POST BASE				*		1	1.00
4		40115580		THREAD TENSION POST				*		1	
5		13341102		KNOB BLUE				*		1	
6		22921407		ROTATION STOPPER				*		1	
7		22921803		DISK STOPPER				*		1	
8	R	22928907	22921506	THREAD TENSION DISK				*		2	1.00
9	R	B3121804000	40102003	TENSION SPRING				*		1	1.00
10		PH0300062C0		PIN						1	
11		PA0600504A0		AIR CYLINDER						1	
12		PJ046052503		HOSE ELBOW						1	
13		BT0400251EB		URETHANE HOSE BLACK						3	
14		SM4040855SP		SCREW						2	
15		40010414		THREAD GUIDE NO.1						1	
16		SM6061002TP		SCREW M6 L=10						1	
17		NM6060003SC		NUT M6						1	
18		13332705		EYELET C						1	
19		SM4040655SP		SCREW M4 L=6						1	
20		40115624		GIMP PIPE A ASM						1	
21		SM6040602TP		SCREW M4 L=6						2	
22		40115627		GIMP PIPE B ASM						1	
23		SM6040602TP		SCREW M4 L=6						2	
24		40115629		THREAD GUIDE C						1	
25		SM6040602TP		SCREW M4 L=6						1	
26		WP0450801SP		WASHER						1	

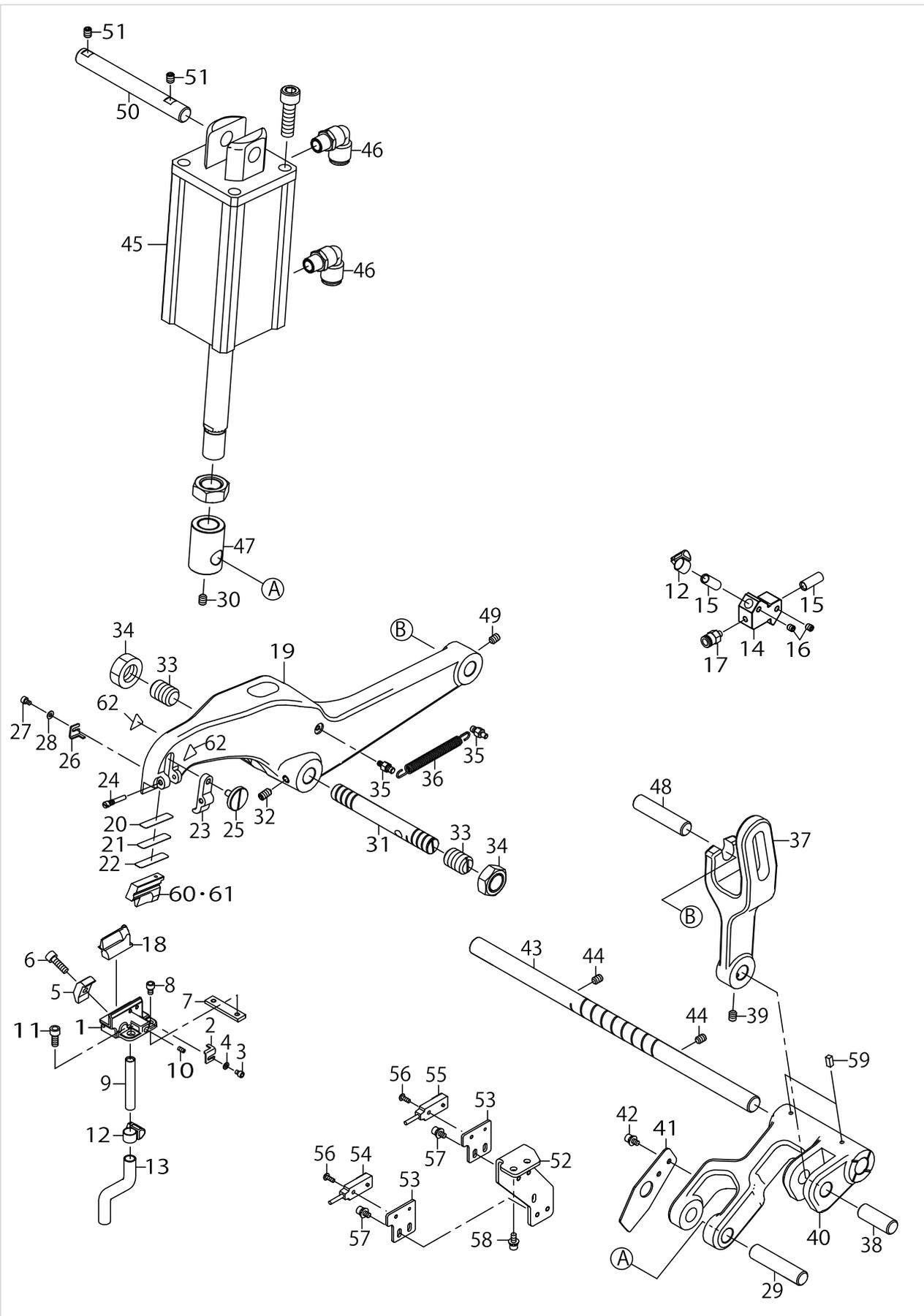
CLOTH CUTTING COMPONENTS



CLOTH CUTTING COMPONENTS

No.	Supply Code	Parts No.	Replacement	Parts name	Remarks	Choice	Step	Level	Cons	Qty	Rep. QTY
1		40151033		KNIFE BASE						1	
2		14040802		KNIFE STOPPER(UPPER LOWER)						1	
3		SM6030402TP		SCREW M3X0.5 L=4						1	
4		WP0320500SD		M3 WASHER						1	
5		14040703		KNIFE FIX PLATE LOWER						1	
6		SM6051602TP		SCREW M5X0.8 L=16						1	
7		40115658		KNIFE BASE KEY						1	
8		SM6040602TP		SCREW M4 L=6						2	
9		40115659		DUST CHUTE						1	
10		SM8030602TP		SCREW M3X0.5 L=6						1	
11		SM6051202TP		SCREW M5X0.8 L=12						2	
12		16121907		HOSE BAND						2	
13		BT1200801EF		TUBE						1.5	
14		40115661		DUST SUCTIONER						1	
15		40115660		DUST CHUTE B						2	
16		SM8050602TP		SCREW M5 L=6						2	
17		PJ301060503		HALF UNION						1	
18		40115664		KNIFE					☆	1	
19		40115637		KNIFE ARM						1	
20		40115638		SPACER 01	SELECTIVE PARTS (TWO PIECES ARE USED FROM 0.)					1	
21		40115639		SPACER 02	SELECTIVE PARTS (TWO PIECES ARE USED FROM 0.)					1	
22		40115640		SPACER 03	SELECTIVE PARTS (TWO PIECES ARE USED FROM 0.)					1	
23		40115641		HAMMER HOLDING PLATE						1	
24		14039507		SCREW						1	
25		32068900		KNIFE FIXING SCREW						1	
26		14040802		KNIFE STOPPER(UPPER LOWER)						1	
27		SM6030502TP		BOLT M3X5						1	
28		WP0320501SD		WASHER						1	
29		40115654		KNIFE CYLINDER PIN						1	
30		SM80608A2TP		SCREW M6 L=8						1	
31		40115644		KNIFE ARM FULCRUM SHAFT						1	
32		SM8061242TP		SCREW						1	
33		40115645		KNIFE ARM SCREW						2	
34		NM6660043SD		NUT M16X1.5 TYPE3						2	
35		40115642		SPRING HOOK						2	
36		40115643		KNIFE ARM SPRING						1	
37		40115647		KNIFE MIDDLE LINK						1	
38		40115648		KNIFE DRIVING ARM PIN						1	
39		SM80608A2TP		SCREW M6 L=8						1	
40		40115649		KNIFE DRIVING ARM						1	

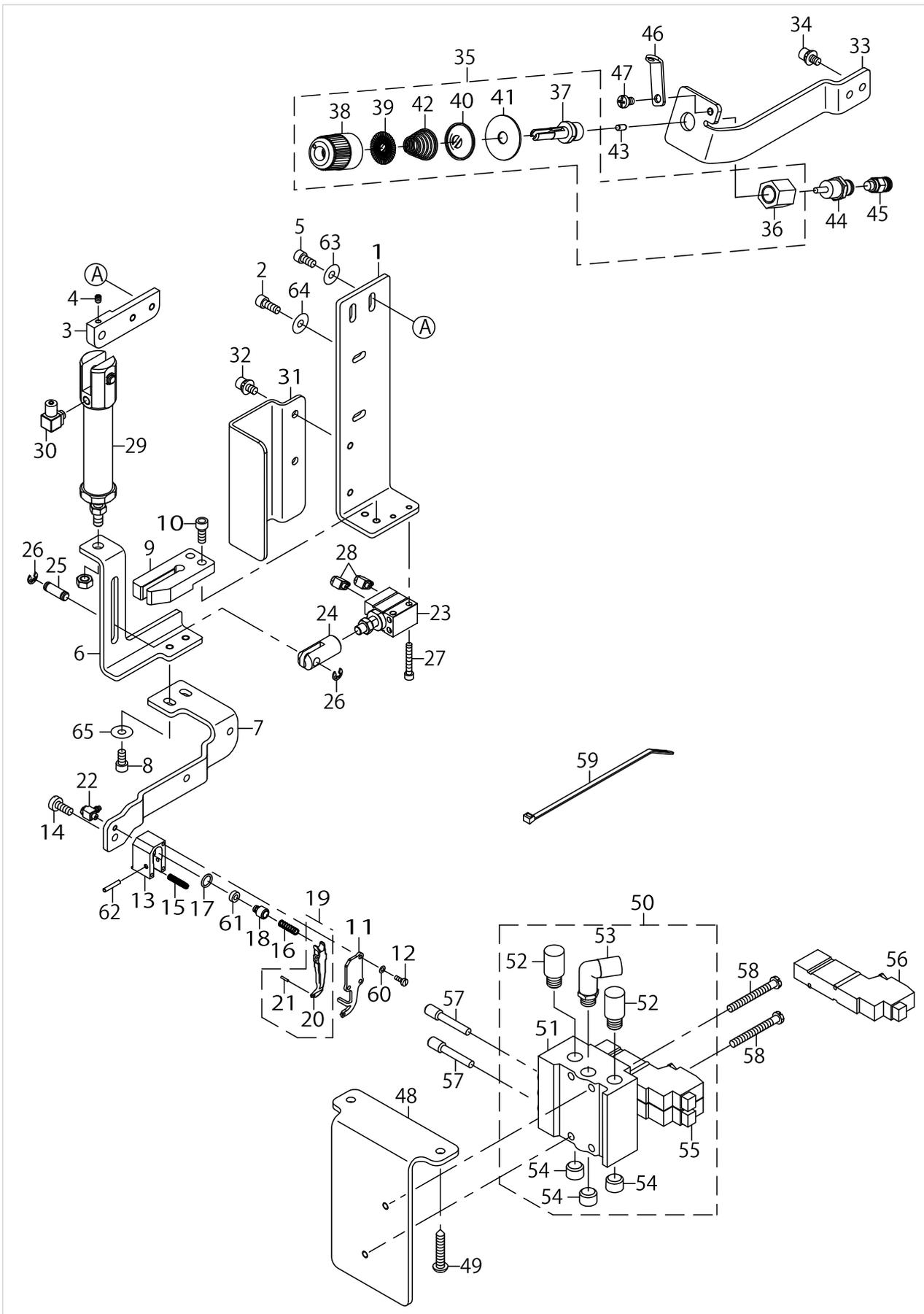
CLOTH CUTTING COMPONENTS



CLOTH CUTTING COMPONENTS

No.	Supply Code	Parts No.	Replacement	Parts name	Remarks	Choice	Step	Level	Cons	Qty	Rep. QTY
41		40115651		KNIFE SENNSOR SLIT						1	
42		SL6040892TN		BOLT						2	
43		40115652		KNIFE DRIVING ARM FULCRUM SHAFT						1	
44		SM80608A2TP		SCREW M6 L=8						2	
45		40115655		AIR CYLINDER						1	
46	D	PJ304105201		ELBOW UNION B						2	
47		40115653		KNUCKLE JOINT						1	
48		40115654		KNIFE CYLINDER PIN						1	
49		SM80608A2TP		SCREW M6 L=8						1	
50		40115656		KNIFE CYLINDER FULCRUM SHAFT						1	
51		SM80608A2TP		SCREW M6 L=8						2	
52		40115662		KNIFE SENSOR STAY						1	
53		40115663		SENSOR PLATE						2	
54		40114422		CU SENSOR ASM						1	
55		40114426		CMPOSSENSORASM						1	
56	D	SM4030801SE		SCREW M3 L=8						2	
57		SL6040892TN		BOLT						4	
58		SL6041092TN		SCREW						2	
59		32075301		CLOTH KNIFE LEVER FELT						2	
60		40115667		HAMMER 20MM EYELET H	TYPE J				☆	1	
61		40115666		HAMMER 16MM EYELET H	TYPE C				☆	1	
62		CM300200001		ATTENTION SEAL						2	

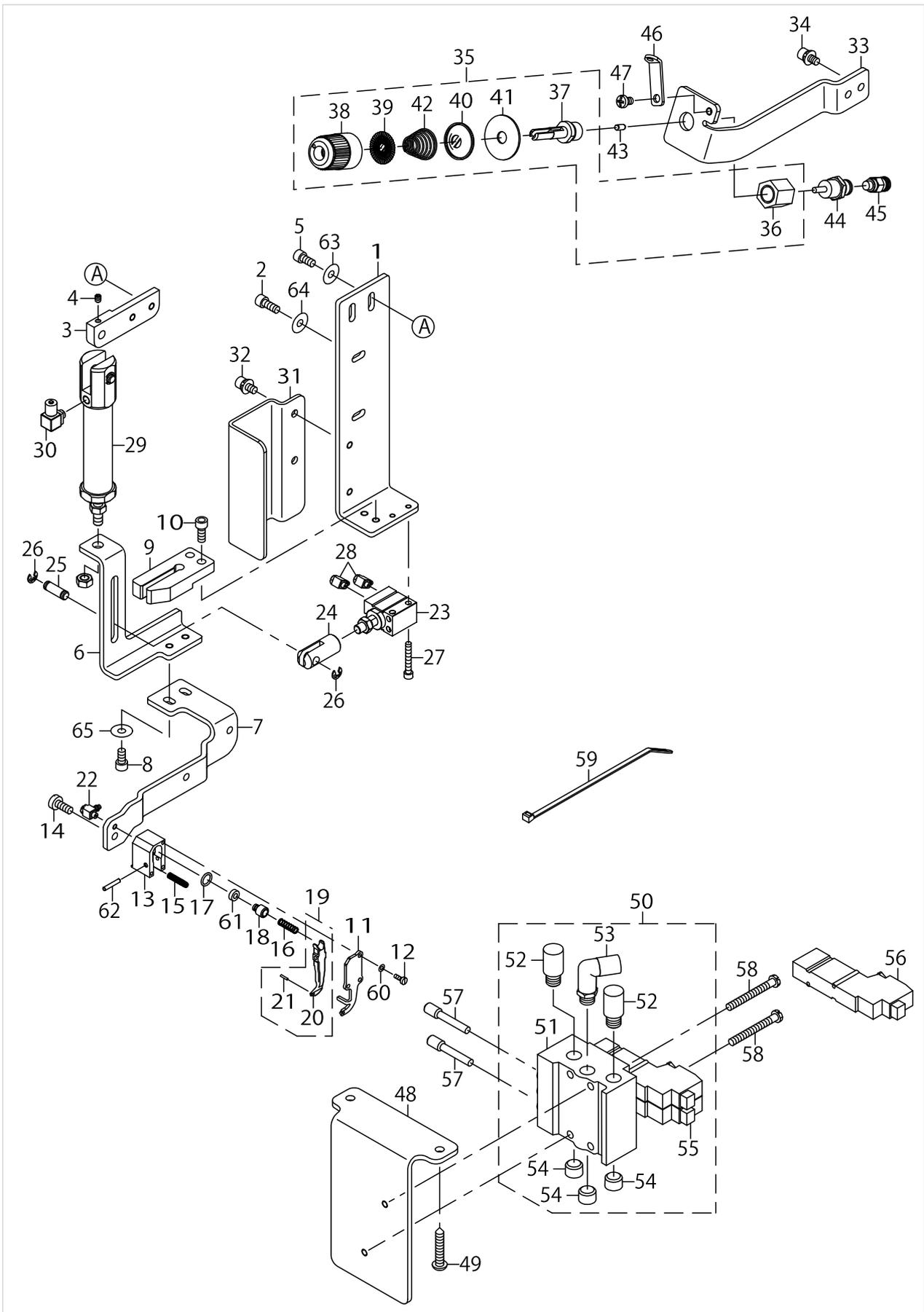
UPPER THREAD CLAMP UNIT



UPPER THREAD CLAMP UNIT

No.	Supply Code	Parts No.	Replacement	Parts name	Remarks	Choice	Step	Level	Cons	Qty	Rep. QTY
1		40115909		THREAD CLAMP BRACKET						1	
2		SM6041002TP		SCREW M4 L=10						2	
3		40115912		CYLINDER GUIDE						1	
4		SM8030412TP		SCREW						1	
5		SM6040802TP		SCREW M4X0.7 L=8						2	
6		40115911		THREAD CLAMP SLIT						1	
7		40115910		THREAD CLAMP BASE ARM						1	
8		SM6040802TP		SCREW M4X0.7 L=8						2	
9		40115916		SLIT GUIDE						1	
10		SM6041002TP		SCREW M4 L=10						2	
11		40115901		THREAD CLAMP A						1	
12		SM6020600TP		SCREW						3	
13		40115902		THREAD CLAMP BASE						1	
14		SM6041050TP		SCREW						1	
15		40115907		THREAD CLAMP SPRING						1	
16		40115906		THREAD CLAMP PISTON SPRING						1	
17		40115914		O RING						1	
18		40115904		THREAD CLAMP PISTON						1	
19		40138570		THREAD_CLAMP_B_ASM						1	
20		40139096		THERAD_CLAMP_B				*		1	
21		PS0100052KP		SPRING PIN				*		1	
22		PJ046039001		ELBOW						1	
23		PA1000601A0		AIR CYLINDER						1	
24		B1625220000		CYLINDER KNUCKLE						1	
25		B1626220000		CYLINDER PIN						1	
26		RE0300000K0		E-RING 3						2	
27		SM6032002TN		SCREW M3X0.5 L=20						2	
28		PJ046039001		ELBOW						2	
29		PA1602009A0		CYLINDER						1	
30		PJ046052503		HOSE ELBOW						1	
31		40115917		CLAMP COVER						1	
32		SL6040892TN		BOLT						2	
33		40115918		TENSION PLATE						1	
34		SL6040892TN		BOLT						2	
35		40115919		LOWER THREAD TENSION ASM.						1	
36	R	40115579	40115578	THREAD TENSION POST BASE				*		1	1.00
37		40115580		THREAD TENSION POST				*		1	
38		13341102		KNOB BLUE				*		1	
39		22921407		ROTATION STOPPER				*		1	
40		22921803		DISK STOPPER				*		1	
41	R	22928907	22921506	THREAD TENSION DISK				*		1	1.00
42	R	B3121804000	40102003	TENSION SPRING				*		1	1.00
43		PH0300062C0		PIN						1	
44		PA0600504A0		AIR CYLINDER						1	
45		PJ301040502		HALF UNION 4XM5						1	
46		13332705		EYELET C						1	

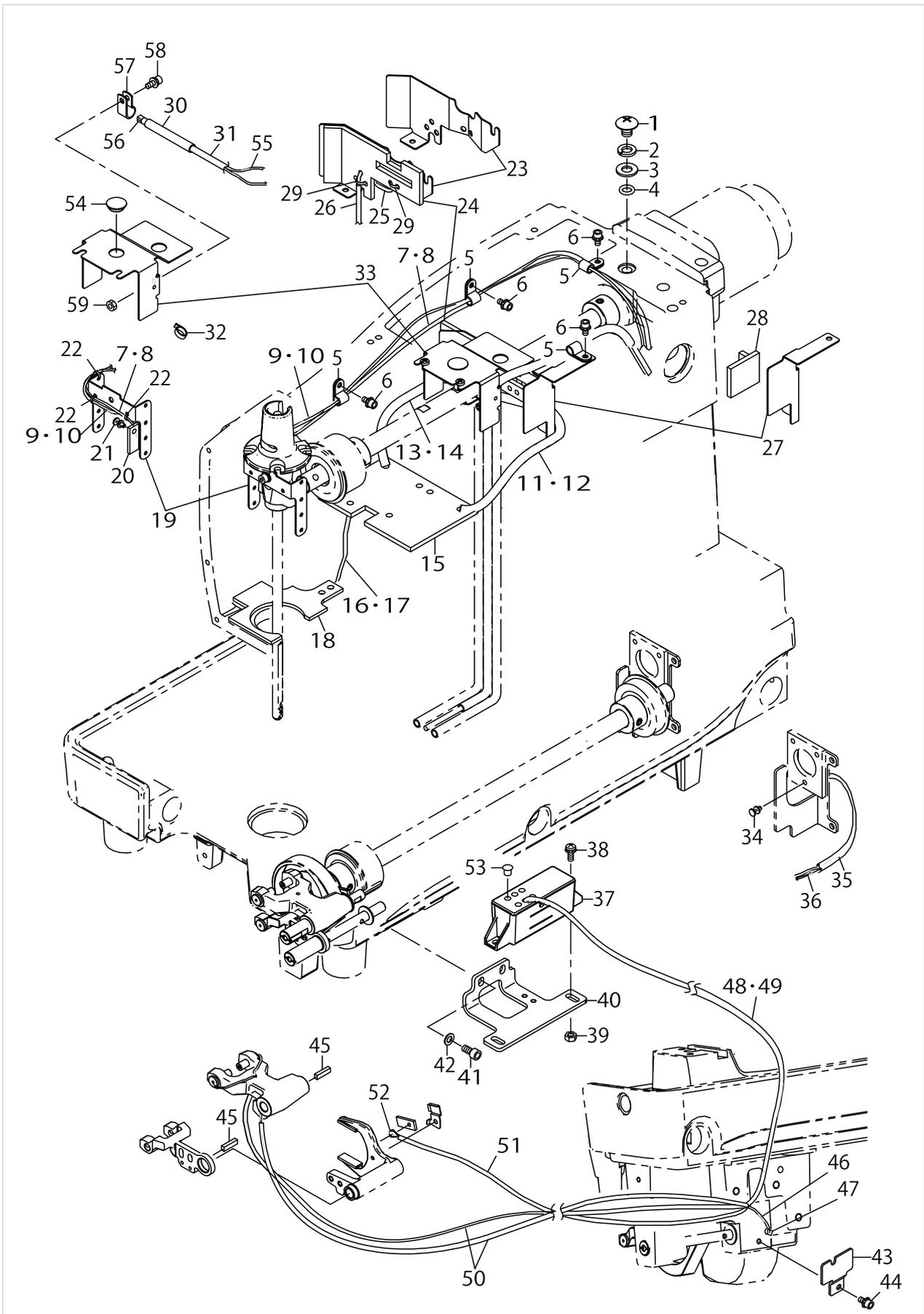
UPPER THREAD CLAMP UNIT



UPPER THREAD CLAMP UNIT

No.	Supply Code	Parts No.	Replacement	Parts name	Remarks	Choice	Step	Level	Cons	Qty	Rep. QTY
47		SM4040655SP		SCREW M4 L=6						1	
48		40115915		BASE PLATE						1	
49		SK3452501SE		SCREW D=4.5 L=25						2	
50		40072396		MANIFOLD VALVE ASSY						1	
51		PV035161000		MANIFOLD				*		1	
52		PX055104000		SILENCER (PT1/8)				*		2	
53		PJ304065101		ELBOW UNION 6XPT1/8				*		1	
54		PJ025100002		PLUG R1/8				*		3	
55		PV150103200		5-PORT SOKENOID VALVE				*		2	
56		PV150103200		5-PORT SOKENOID VALVE						1	
57		PX500014000		PLUG						2	
58		SM4043555SP		SCREW						2	
59		HX002330000		CLIP						4	
60		WP0220300SC		WASHER						3	
61		40115905		PISTON PACKING						1	
62		40055811		TP SHAFT PIN L						1	
63		WP0431005SP		PLAIN WASHER 4.3X12X1						2	
64		WP0431005SP		PLAIN WASHER 4.3X12X1						2	
65		WP0431005SP		PLAIN WASHER 4.3X12X1						2	

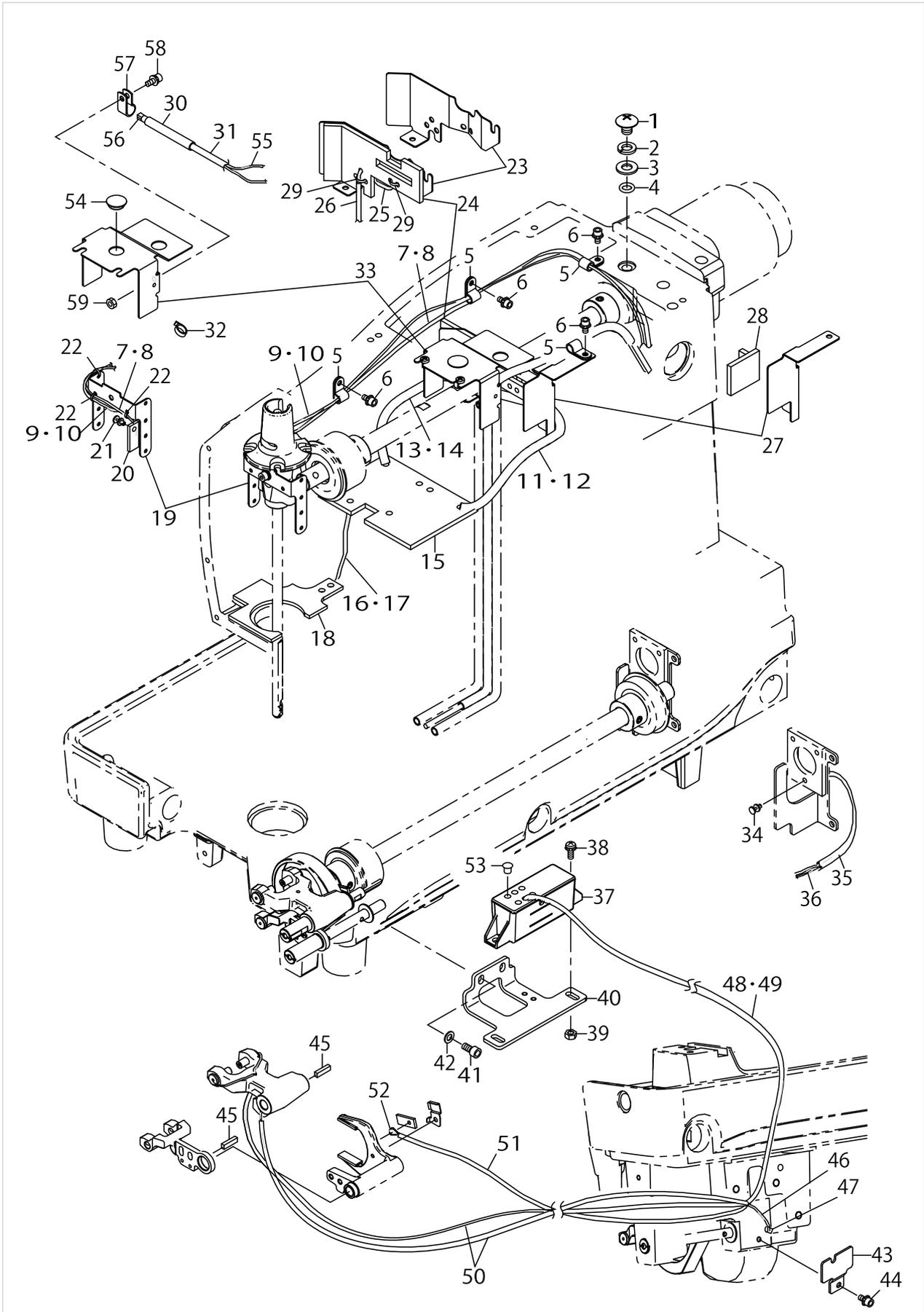
LUBRICATION MECHANISM COMPONENTS



LUBRICATION MECHANISM COMPONENTS

No.	Supply Code	Parts No.	Replacement	Parts name	Remarks	Choice	Step	Level	Cons	Qty	Rep. QTY
1		SM0081001SD		SCREW						1	
2		WS0820002KN		SPRING WASHER M8						1	
3		WP0841601SC		WASHER 8.4X17.4X1.6						1	
4		13170105		RUBBER RING						1	
5		HX00150000D		CABLE CLIP						4	
6		SL6040892TN		BOLT						4	
7		23630007		TUBE						.68	
8		CQ200000000		OIL WICK						1.46	
9		23630007		TUBE						.63	
10		CQ200000000		OIL WICK						1.36	
11		40119990		OIL RETURN FELT 500						1	
12		BP500000000		VINYL PIPE						.36	
13		40119990		OIL RETURN FELT 500						1	
14		BP500000000		VINYL PIPE						.32	
15		40115225		ARM FELT U						1	
16		BP500000000		VINYL PIPE						.06	
17		40119991		OIL RETURN FELT 110						1	
18		40115699		ARM FELT						1	
19		40115698		NEEDLE LUBRICATION PLATE						1	
20		B3518280000		BALANCE LUBRICATING						1	
21		HX00094000A		NYLON RIVET						1	
22		EA9500B0100		CABLE BAND						3	
23		40115222		FELT BASE A						1	
24		40115224		FELT A						1	
25		40119990		OIL RETURN FELT 500						1	
26		BP500000000		VINYL PIPE						.33	
27		40115221		FELT BASE B						1	
28		40115223		FELT B						1	
29		EA9500B0100		CABLE BAND						2	
30		23630007		TUBE						.18	
31		BP500000000		VINYL PIPE						.05	
32		EA9500B0100		CABLE BAND						3	
33		40119996		GEAR LUBRICATION PLATE						1	
34	D	HX00094000C		NYLON RIVET						3	
35		23630007		TUBE						.15	
36		CQ200000000		OIL WICK						.42	
37		40115700		BED OIL TANK ASM						1	
38		SL4051291SC		SCREW M5X0.8 L=12						2	
39		NM6050001SC		NUT M5X0.8 TYPE1						2	
40		40115703		OIL TANK BRACKET						1	
41		SM6051002TP		SCREW M5X0.8 L=10						2	
42		WP0550800SP		WASHER 5.5X10X0.8						2	
43		40119993		TUBE CLAMP PLATE						1	
44		SL6040892TN		BOLT						1	
45		40020191		BRACKET LUBRICATION FELT A						2	
46		CQ252200000		OIL WICK						.09	

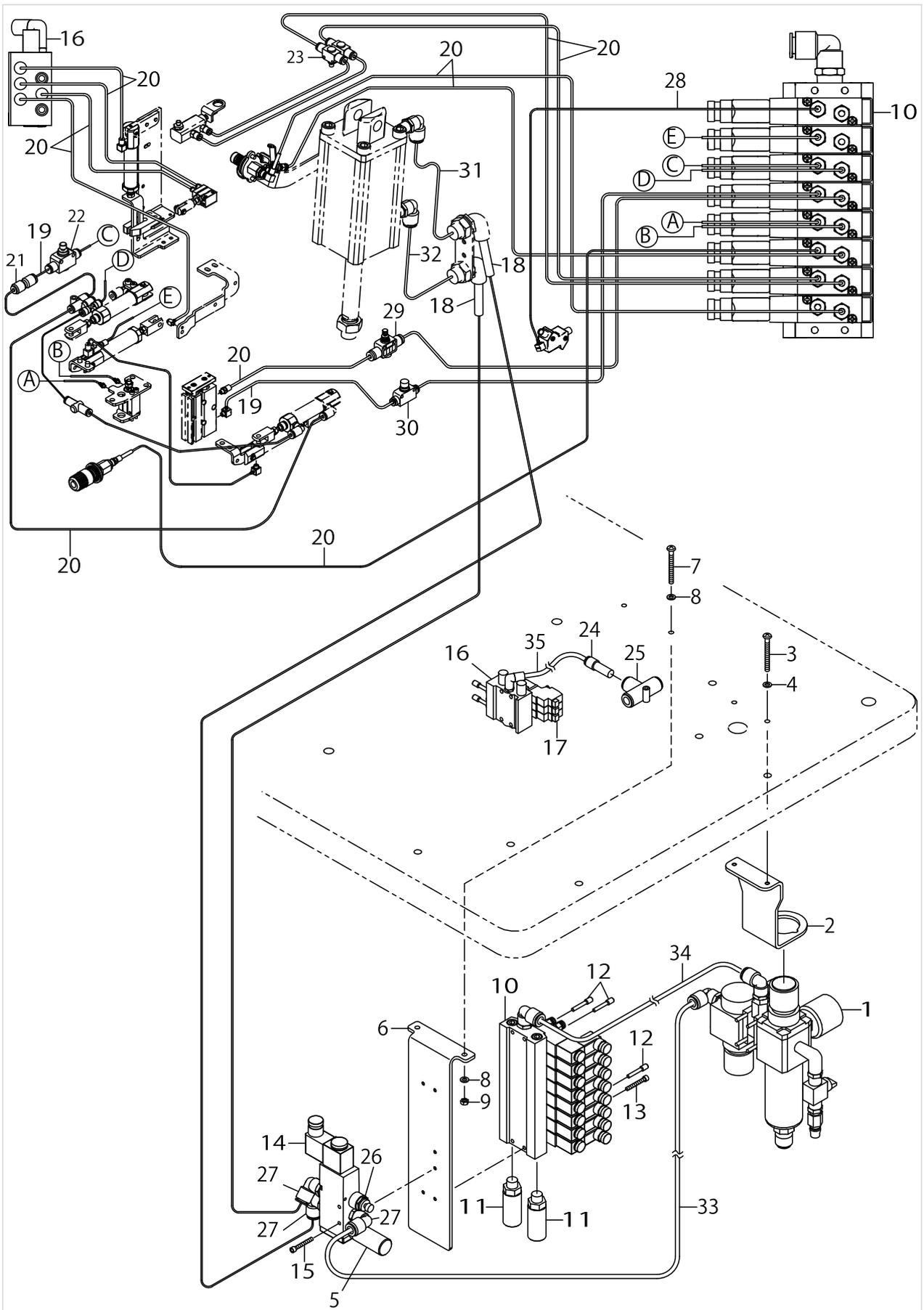
LUBRICATION MECHANISM COMPONENTS



LUBRICATION MECHANISM COMPONENTS

No.	Supply Code	Parts No.	Replacement	Parts name	Remarks	Choice	Step	Level	Cons	Qty	Rep. QTY
47		40020191		BRACKET LUBRICATION FELT A						1	
48		23630007		TUBE						1	
49		CQ200000000		OIL WICK						1	
50		23630007		TUBE						.2	
51		23630007		TUBE						.1	
52		CQ200000000		OIL WICK						.3	
53		TA0550604R0		RUBBER PLUG						5	
54		TA1250406R0		RUBBER PLUG D=12.5 L=4						1	
55		CQ200000000		OIL WICK						.5	
56	D	22604805		FELT						1	
57		HX00150000C		CABLE CLIP						1	
58		SL6041092TN		SCREW						1	
59		NM6040001SC		NUT M4X0.7 TYPE1						1	

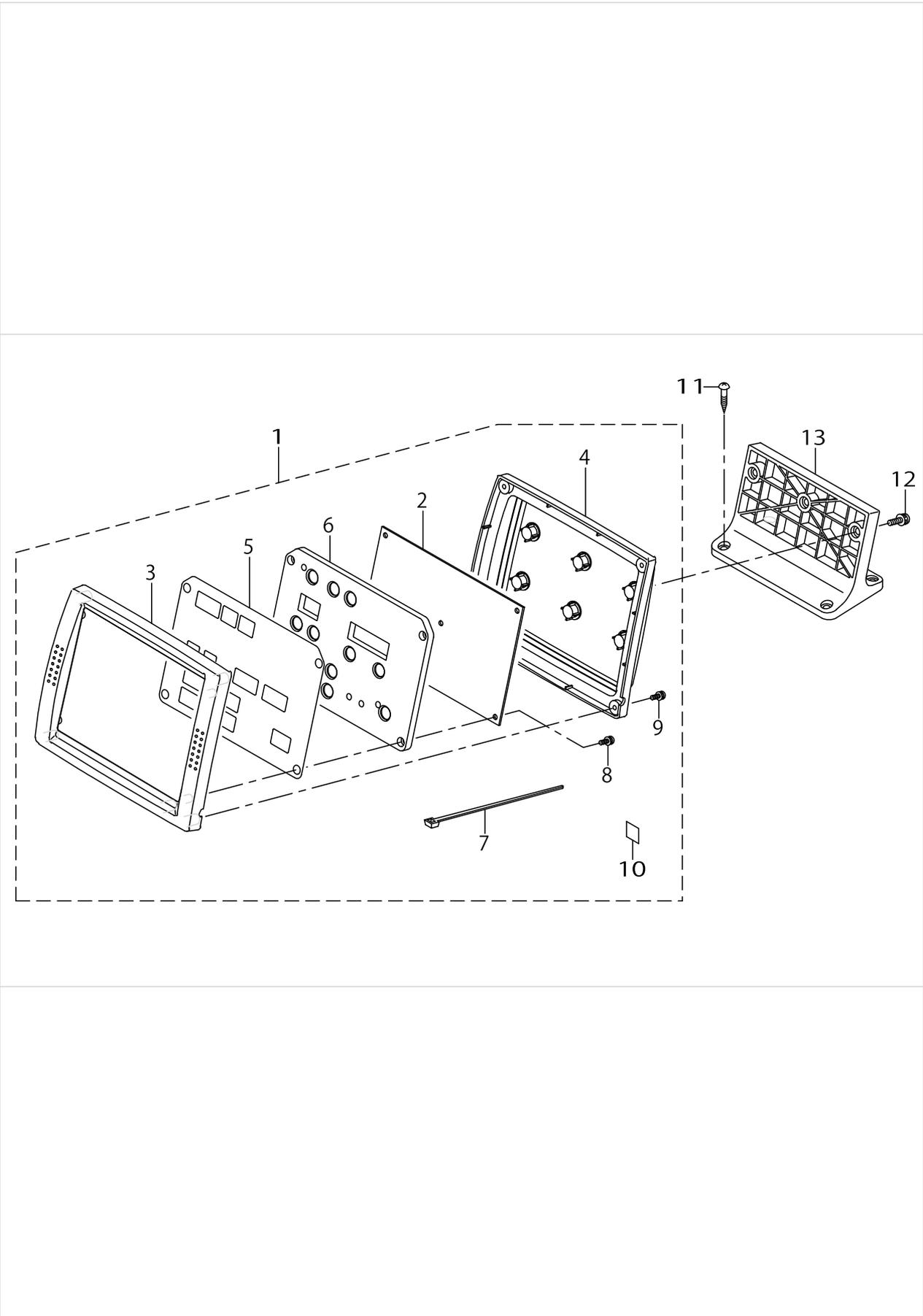
AIR COMPONENTS



AIR COMPONENTS

No.	Supply Code	Parts No.	Replacement	Parts name	Remarks	Choice	Step	Level	Cons	Qty	Rep. QTY
1		40115683		AIR COMBINATION						1	
2		40115682		REGULATOR BKT						1	
3		SM4055001SF		SCREW M5 L=50						2	
4		WP0531001SC		WASHER M5						2	
5		PX055202000		SILENCER						1	
6		40115684		MANIFOLD VALVE ASM BKT						1	
7		SM4055001SF		SCREW M5 L=50						2	
8		WP0531001SC		WASHER M5						4	
9		NM6050001SC		NUT M5X0.8 TYPE1						2	
10		40115685		MANIFOLD VALVE ASSY						1	
11		PX055202000		SILENCER						2	
12		PX500014000		PLUG						3	
13		SM6043002TN		SCREW						4	
14		PV155303000		5-PORT SOLENOID VALVE						1	
15		SM6043002TN		SCREW						2	
16		40072396		MANIFOLD VALVE ASSY						1	
17		PV150103200		5-PORT SOKENOID VALVE						3	
18	D	BT1000651EB		POLYURETHANE TUBE						1	
19		BT0600401EB		TUBE						1	
20		BT0400251EB		URETHANE HOSE BLACK						1	
21		PJ303060003		UNION						1	
22		PC012601000		SPEED CONTROLLER						1	
23		PC012401000		SPEED CONTROLLER						2	
24		PJ301060004		REDUCER						1	
25		PJ305100002		T-JOINT						1	
26		PF025215000		SILENCER						1	
27		PJ304105301		ELBOW UNION						3	
28		BT0600401EB		TUBE						1	
29		PC012401000		SPEED CONTROLLER						1	
30		PC012601000		SPEED CONTROLLER						1	
31	D	BT1000651EB		POLYURETHANE TUBE						.5	
32	D	BT1000651EB		POLYURETHANE TUBE						.4	
33	D	BT1000651EB		POLYURETHANE TUBE						.3	
34	D	BT1000651EB		POLYURETHANE TUBE						.3	
35		BT0600401EB		TUBE						.4	

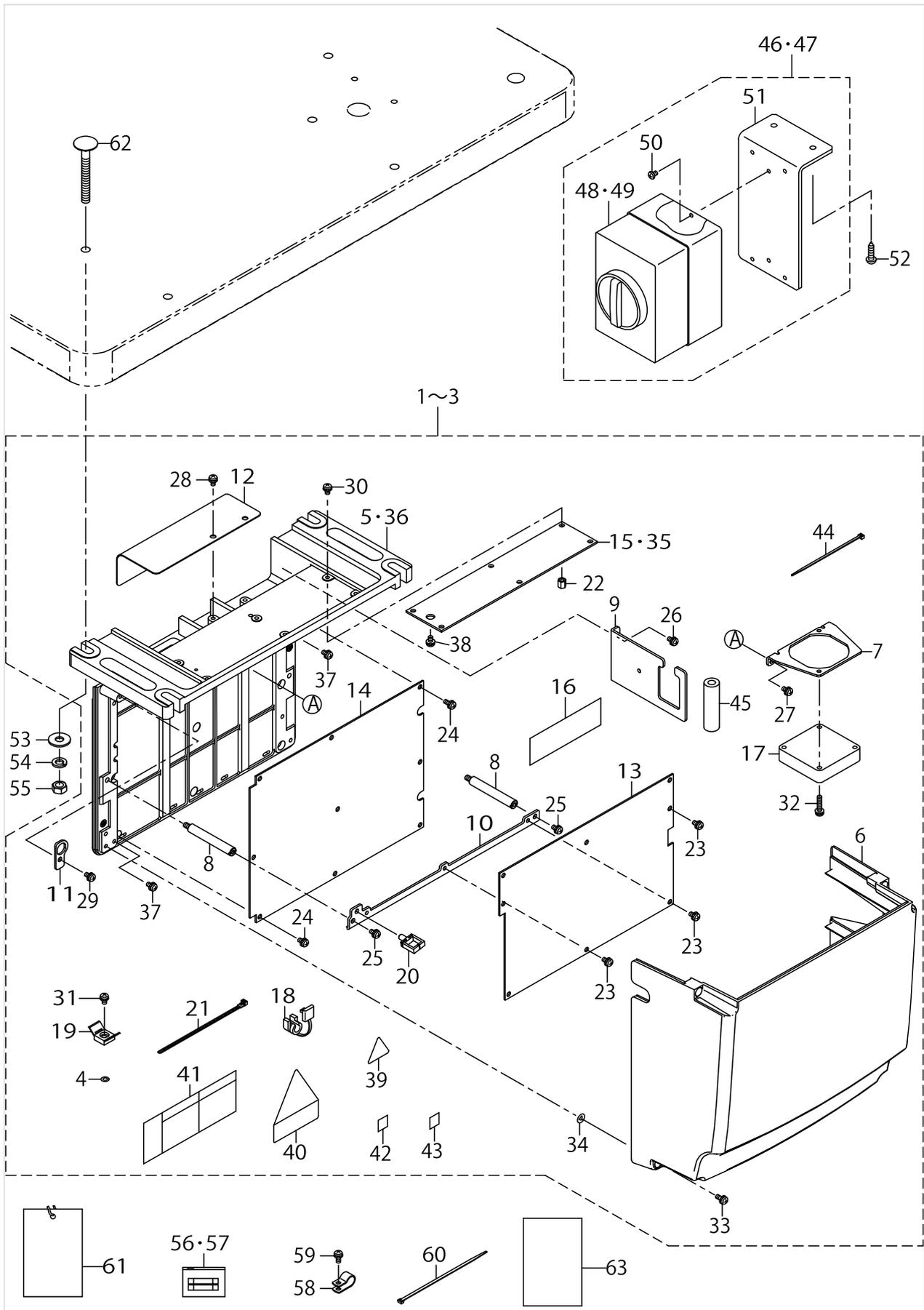
OPERATION BOX COMPONENTS



OPERATION BOX COMPONENTS

No.	Supply Code	Parts No.	Replacement	Parts name	Remarks	Choice	Step	Level	Cons	Qty	Rep. QTY
1		40108520		OPERATION BOX A ASSY						1	
2		40108521		PANEL PCB ASSY				*		1	
3		40005692		OPERATION BOX FRONT CASE				*		1	
4		40005693		OPERATION BOX REAR CASE				*		1	
5		40108529		OPERATION PANEL SHEET				*		1	
6		40108530		PANEL PCB HOLDER PLATE				*		1	
7		EA9500B0100		CABLE BAND				*		1	
8		SL4031081SC		SCREW M3X10				*		4	
9		SL4031081SC		SCREW M3X10				*		4	
10		CM600100101		WEEE MARK LABEL S				*		1	
11		SK3382001SE		SCREW D=3.8 L=20						4	
12		SL4041691SC		SCREW M4 L=16						3	
13		40005697		PANEL STAND						1	

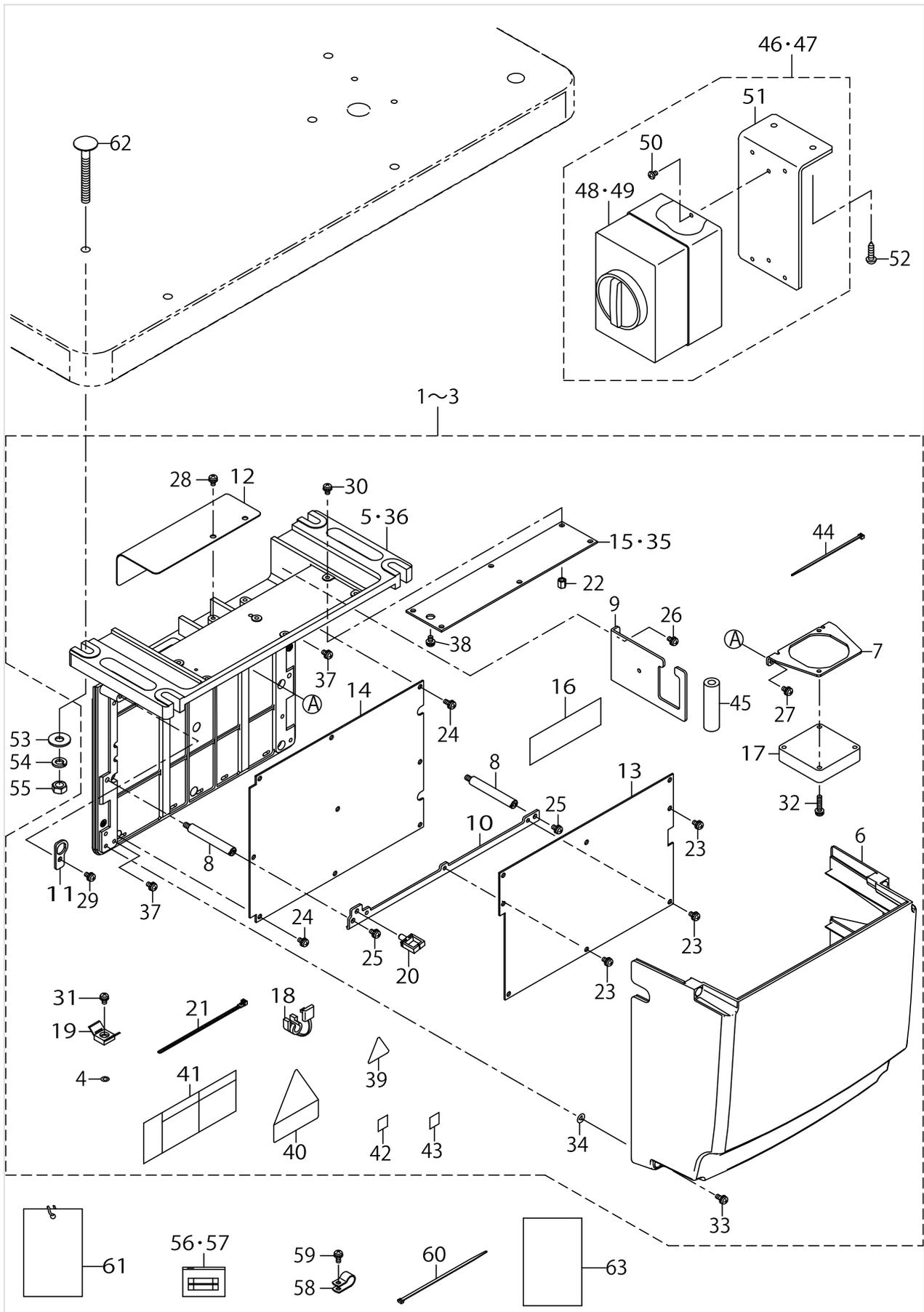
TRANSMISSION COMPONENTS



TRANSMISSION COMPONENTS

No.	Supply Code	Parts No.	Replacement	Parts name	Remarks	Choice	Step	Level	Cons	Qty	Rep. QTY
1		40114356		CTL BOX A ASM	FOR 1-PH-ASE 220~240V					1	
2		40114357		CTL BOX B ASM	FOR 3-PH-ASE 200~240V					1	
3		40114358		CTL BOX C ASM	FOR 1-PH-ASE CE 200~240V					1	
4		WP0430800SC		WASHER M4	FOR 3-PH-ASE 200~240V, 1-P-HASE CE 2-00~240V			*		1	
5		40143989		FRAME_B	FOR 3-PH-ASE 200~240V, 1-P-HASE CE 2-00~240V			*		1	
6		40114136		COVER				*		1	
7		40115874		FAN PLATE				*		1	
8		40143990		STUD				*		2	
9		40115876		PLATE B				*		1	
10		40115877		MAIN PLATE				*		1	
11		40115878		PLATE C				*		1	
12		40115879		FAN COVER				*		1	
13		40114400		MAIN PCB ASSY				*		1	
14		40142267		SDC PCB ASSY				*		1	
15		40105465		FLT-T PCB ASSY	FOR 3-PH-ASE 200~240V			*		1	
16		40114398		MAIN COOL SHEET				*		2	
17		40111214		FAN MOTOR ASSY				*		1	
18		KX000000320		BUSH				*		1	
19		KX000000260		SADDLE TYPE TIE MOUNT				*		1	
20		HX00222000D		WIRE SADDLE				*		1	
21		HX00292000A		CONNECTING PART				*		1	
22		HX00339000M		SPACER	FOR 3-PH-ASE 200~240V, 1-P-HASE CE 2-00~240V			*		6	
23		SL4040881SC		SCREW M4 L=8				*		8	
24		SL4041081SC		SCREW M4 L=10				*		4	
25		SL4040881SC		SCREW M4 L=8				*		2	
26		SL4040881SC		SCREW M4 L=8				*		2	
27		SL4040881SC		SCREW M4 L=8				*		2	
28		SL4040881SC		SCREW M4 L=8				*		2	
29		SL4040881SC		SCREW M4 L=8				*		1	
30		SL4040881SC		SCREW M4 L=8	FOR 3-PH-ASE 200~240V, 1-P-HASE CE 2-00~240V			*		6	
31		SL4040881SC		SCREW M4 L=8				*		1	
32		SL4042091SC		SCREW M4X0.7 L=20				*		4	
33		SL4041281SC		SCREW M4X0.7 L=12				*		4	
34		M8002430000		STOPPER				*		4	
35	R	40105475	40145901	FLT-CE PCB ASSY	FOR 1-PH-ASE CE 200~240V			*		1	1.00

TRANSMISSION COMPONENTS



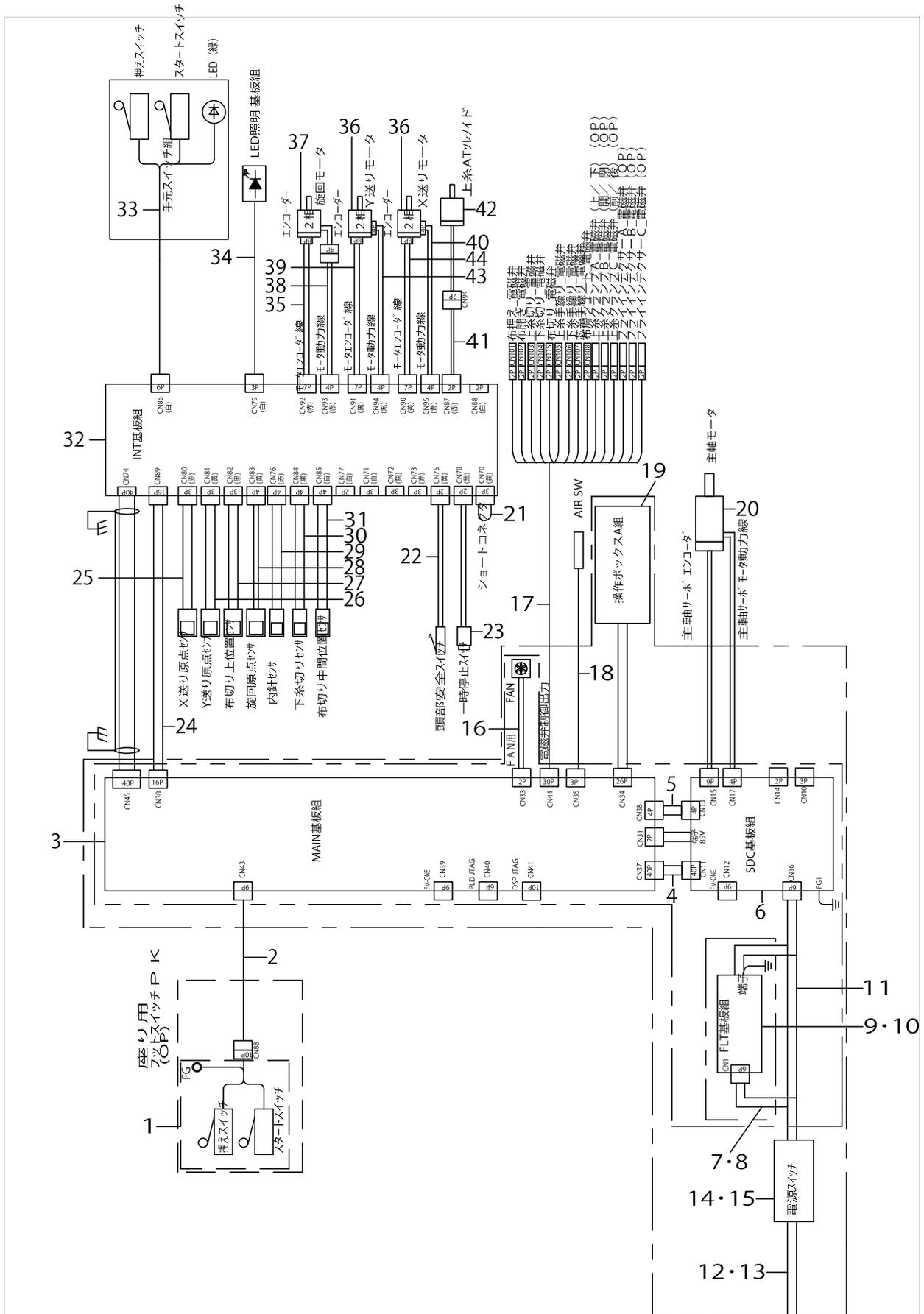
TRANSMISSION COMPONENTS

No.	Supply Code	Parts No.	Replacement	Parts name	Remarks	Choice	Step	Level	Cons	Qty	Rep. QTY
36		40143988		FRAME_A	FOR 1-PH-ASE 220~240V			*		1	
37		SL4040881SC		SCREW M4 L=8				*		3	
38		SL4030881SC		SCREW M3 L=8	FOR 3-PH-ASE 200~240V			*		1	
39		CM300100001		LABEL	FOR 1-PH-ASE 220~240V, 1-PHASE CE 200~240V, 1-PHASE 220~240V (FOR CHINA)			*		1	
40		CM300400602		VOLTAGE CAUTION LABEL L=25				*		1	
41		CM300100402		VOLTAGE DANGER LABEL 3 (SMALL)	FOR 3-PH-ASE 200~240V			*		1	
42		CM600100101		WEEE MARK LABEL S	FOR 1-PH-ASE CE 200~240V			*		1	
43		40150131		EAC_MARK_LABEL_S	FOR 1-PH-ASE CE 200~240V			*		1	
44		EA9500B0100		CABLE BAND				*		1	
45	D	E8760452S00		TUBE				*		0.055	
46		40081602		POWER SWITCH ASM						1	
47		40113451		POWER SWITCH C ASM	FOR 1-PH-ASE 220~240V (FOR CHINA)					1	
48		HA005820000		SWITCH	FOR 1-PH-ASE 220~240V, 3-PHASE 200~240V, 1-PHASE CE 200~240V			*		1	
49		HA006420000		SWITCH	FOR 1-PH-ASE 220~240V (FOR CHINA)			*		1	
50		SL4041091SE		SCREW M4 L=10				*		2	
51		40081603		SWITCH INSTALLATION BOARD				*		1	
52		SK3512001SE		WOOD SCREW D=5.1 L=20						2	
53		WP0852086SC		WASHER M8						4	
54		WS0820002KR		SPRING WASHER M8						4	
55		NM6080002SC		NUT M8						4	
56		HF0013050P0		FUSE 5A						1	
57		HF003000200		FUSE 2A (220/240V)						1	
58		HX00150000D		CABLE CLIP						2	
59		SL4041091SC		SCREW M4 L=10						2	
60		EA9500B0200		CABLE BAND 150						2	
61		M300451100A		VOLTAGE INDICATION CARD A						1	
62		MTSHJ100003		BOLT						4	
63		40126054		CORE SET UP MANUAL						1	

WIRING DIAGRAM

No.	Supply Code	Parts No.	Replacement	Parts name	Remarks	Choice	Step	Level	Cons	Qty	Rep. QTY
1		40033831		PK78 PEDAL SWITCH ASM						1	
2		40114433		FSW RELAY CABLE ASM						1	
3		40114400		MAIN PCB ASSY						1	
4		40114375		SDC-MAIN S CORD ASM						1	
5		40114373		SDC-MAIN P1 CORD ASM						1	
6		40142267		SDC PCB ASSY						1	
7		40114371		AC POWER CORD B ASM	FOR 3-PH-ASE 200~240V					1	
8		40114372		AC POWER CORD C ASM	FOR 1-PH-ASE CE 200~240V					1	
9		40105465		FLT-T PCB ASSY	FOR 3-PH-ASE 200~240V					1	
10	R	40105475	40145901	FLT-CE PCB ASSY	FOR 1-PH-ASE CE 200~240V					1	1.00
11		40114370		AC POWER CORD A ASM	FOR 1-PH-ASE 220~240V					1	
12		40086469		POWER CABLE 3P ASSY	FOR 3-PH-ASE 200~240V					1	
13		40086470		POWER CABLE 1P ASSY	FOR 1-PH-ASE 220~240V					1	
14		40081602		POWER SWITCH ASM						1	
15		40113451		POWER SWITCH C ASM	FOR 1-PH-ASE 220~240V (FOR CHINA)					1	
16		40111214		FAN MOTOR ASSY						1	
17		40126412		AIR SOLENOID VALVE CORD ASM.	OPTIONAL PARTS					1	
18		40115683		AIR COMBINATION						1	
19		40108520		OPERATION BOX A ASSY						1	
20		40114444		AC SERVO MOTOR						1	
21		40114389		SHORT CONNECTOR ASM						1	
22		32002255		SWITCH ASM.						1	
23		40114427		SWITCH ASM.						1	
24		40114443		MAIN-INT CORD A ASSY						1	
25		40114420		X SENSOR ASM						1	
26		40114421		Y SENSOR ASM						1	
27		40114422		CU SENSOR ASM						1	
28		40114423		R SENSOR ASM						1	
29		40114424		IN SENSOR ASM						1	
30		40114425		LT SENSOR ASM						1	
31		40114426		CMPOS SENSOR ASM						1	
32		40114390		INT PCB ASM						1	
33		40115136		START SWITCH ASM						1	
34		40114380		LED PCB ASSY						1	
35		40114441		R ENCODER CABLE ASM						1	
36		40134501		ENCODER MOTOR ASM(XY)						2	
37		40134502		ENCODER MOTOR ASM(R)						1	
38		40114438		R MOTOR CABLE ASM						1	
39		40114440		Y ENCODER CABLE ASM						1	
40		40114436		X MOTOR CABLE ASM						1	
41		40114442		SOLENOID RELAY CABLE ASM						1	
42		32054900		AT (UPPER)						1	
43		40114437		Y MOTOR CABLE ASM						1	

WIRING DIAGRAM



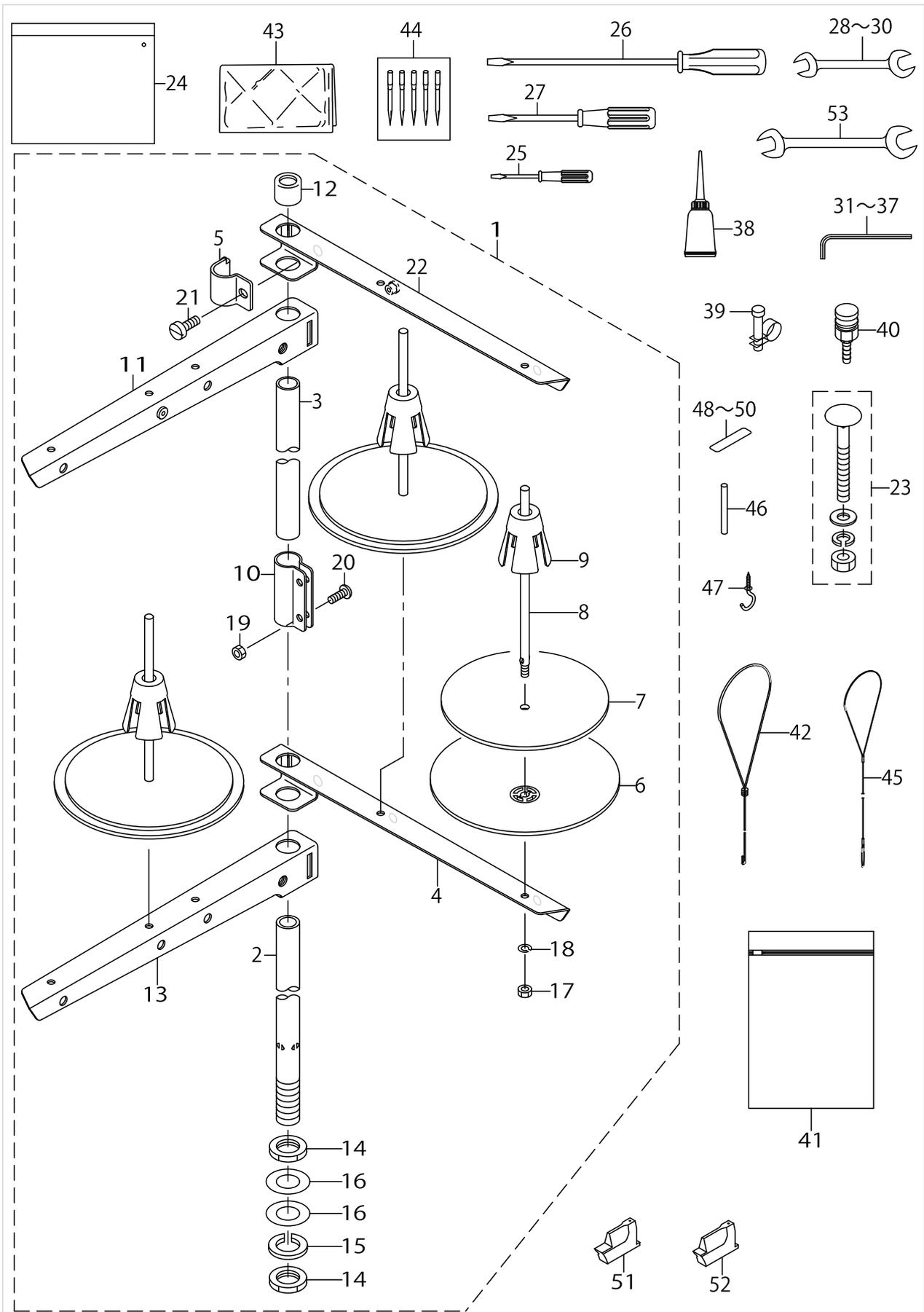
WIRING DIAGRAM

No.	Supply Code	Parts No.	Replacement	Parts name	Remarks	Choice	Step	Level	Cons	Qty	Rep. QTY
44		40114439		X ENCODER CABLE ASM						1	

ACCESSORY PARTS COMPONENTS

No.	Supply Code	Parts No.	Replacement	Parts name	Remarks	Choice	Step	Level	Cons	Qty	Rep. QTY
1		13850052		THREAD STANDING DEVICE ASM.						1	
2	R	22930309	40096354	SPOOL REST ROD LOWER				*		1	1.00
3	R	22930408	40096354	SPOOL REST ROD UPPER				*		1	1.00
4	R	22930507	40096354	SPOOL REST ARM				*		1	1.00
5	R	22930705	40096354	THREAD GUIDE ARM JOINT				*		4	1.00
6		22930804		SPOOL REST				*		3	
7		22930903		SPOOL REST CUSHION				*		3	
8	R	22931000	40085790	SPOOL PIN				*		3	1.00
9	R	22931109	40085791	SPOOL RETAINER				*		3	1.00
10	R	22931307	40096354	SPOOL REST ROD JOINT				*		1	1.00
11		13168950		THREAD STANDING ARM A ASM.				*		1	
12		22931406		SPOOL REST ROD RUBBER CAP				*		1	
13		13168901		THREAD STANDING ARM A				*		1	
14		NM6160511SE		NUT M16X1.5				*		2	
15	R	WS1643202KR	WP1612616SE	SPRING WASHER		A		*		1	2.00
15	R	WS1643202KR	40085796	SPRING WASHER		A		*		1	2.00
16		WP1612616SE		WASHER 16X30X2.6				*		2	
17		NM6050001SE		NUT M5				*		3	
18		WS0510002KN		SPRING WASHER M5				*		3	
19		NM6050001SE		NUT M5				*		2	
20		SM4051405SE		SCREW M5 L=14				*		2	
21		SM6061610SC		SCREW M6 L=16				*		4	
22	R	22930556	40096354	THREAD STANDING ARM ASM.				*		1	1.00
23		MTJMS00000S		SCREW SET						4	
24		22932800		ACCESSORIE BAG						1	
25		22933204		SCREW DRIVER SMALL						1	
26		22933006		SCREW DRIVER LARGE						1	
27		22933105		SCREW DRIVER MIDDLE						1	
28		B9143372000		WRENCH (7.1X8.1)						1	
29		B9113012000		WRENCH (9X10)						1	
30		26034702		WRENCH						1	
31		MAI17001000		SPANNER (1.5)						1	
32		J106600000C		HEXAGONAL WRENCH KEY 2.5						1	
33		GCT02905000		SPANNER						1	
34		J106600000D		HEXAGONAL WRENCH KEY						1	
35		B9140372000		HEXAGONAL WRENCH SMALL						1	
36		GCT02906000		HEXAGONAL SPANNER						1	
37		B9142372000		HEXAGONAL WRENCH (7.1X8.1)						1	
38		B91210120A0		OILER ASM.						1	
39		PB000010000		HOSE BAND						1	
40		PJ309520001		SOCKET						1	
41		40139091		DUST_BAG						1	
42		14058002		THREADER						1	
43		26234005		VINYL COVER						1	
44	R	MC185801102	MC185801100	NEEDLE SCHMETZ 558 NM110-2					☆	1	1.00
45		40115727		THREADER						1	

ACCESSORY PARTS COMPONENTS



ACCESSORY PARTS COMPONENTS

No.	Supply Code	Parts No.	Replacement	Parts name	Remarks	Choice	Step	Level	Cons	Qty	Rep. QTY
46		PH0400402C0		PARALLEL PIN						2	
47		D2113555B00		CORD SET HOOK B						1	
48		40115638		SPACER 01						1	
49		40115639		SPACER 02						1	
50		40115640		SPACER 03						1	
51		40115668		HAMMER 22MM EYELET H	TYPE C				☆	1	
52		40115669		HAMMER 26MM EYELET H	TYPE J				☆	1	
53		J1043000A0A		WRENCH 10X13						2	

TABLE COMPONENTS

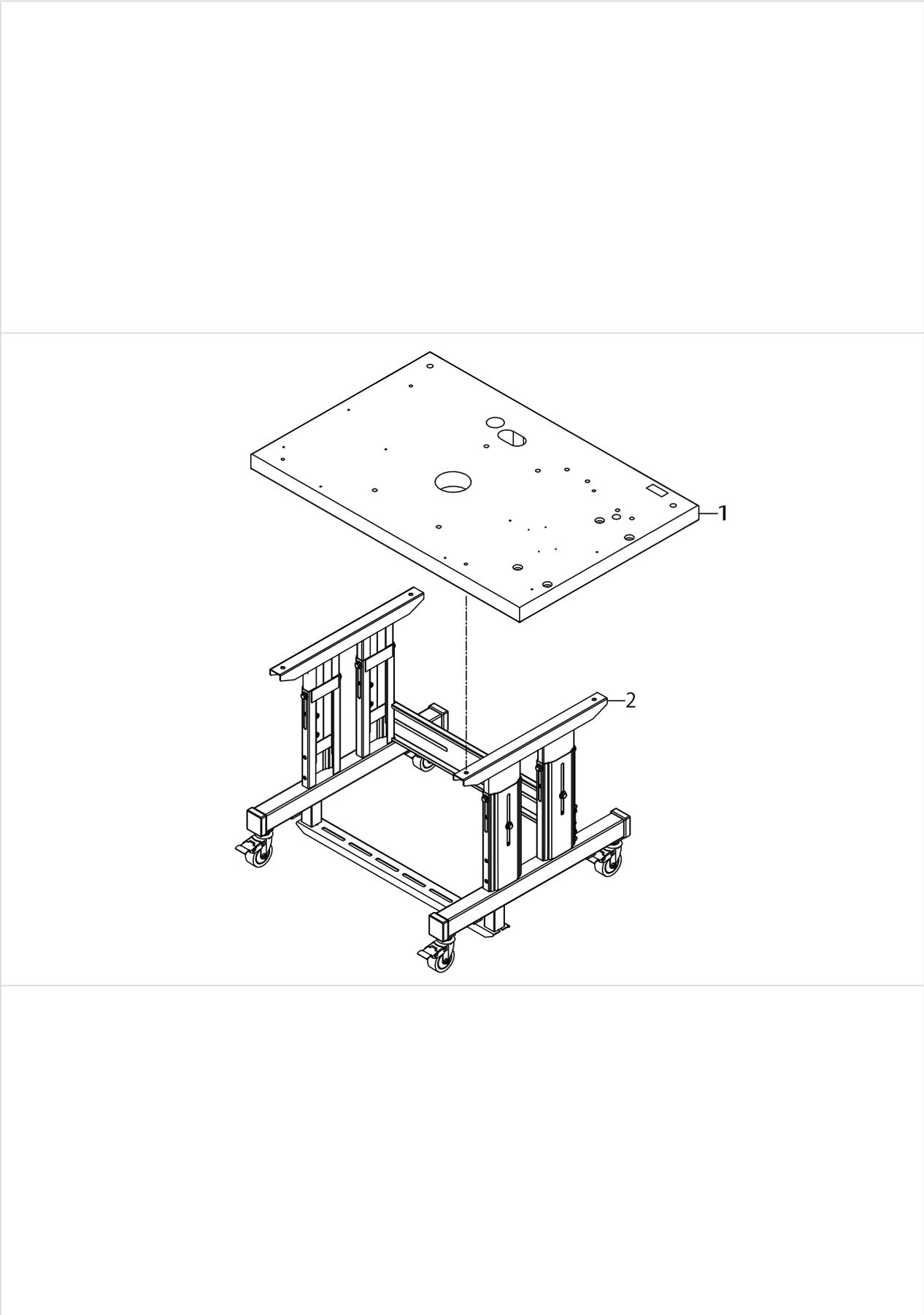
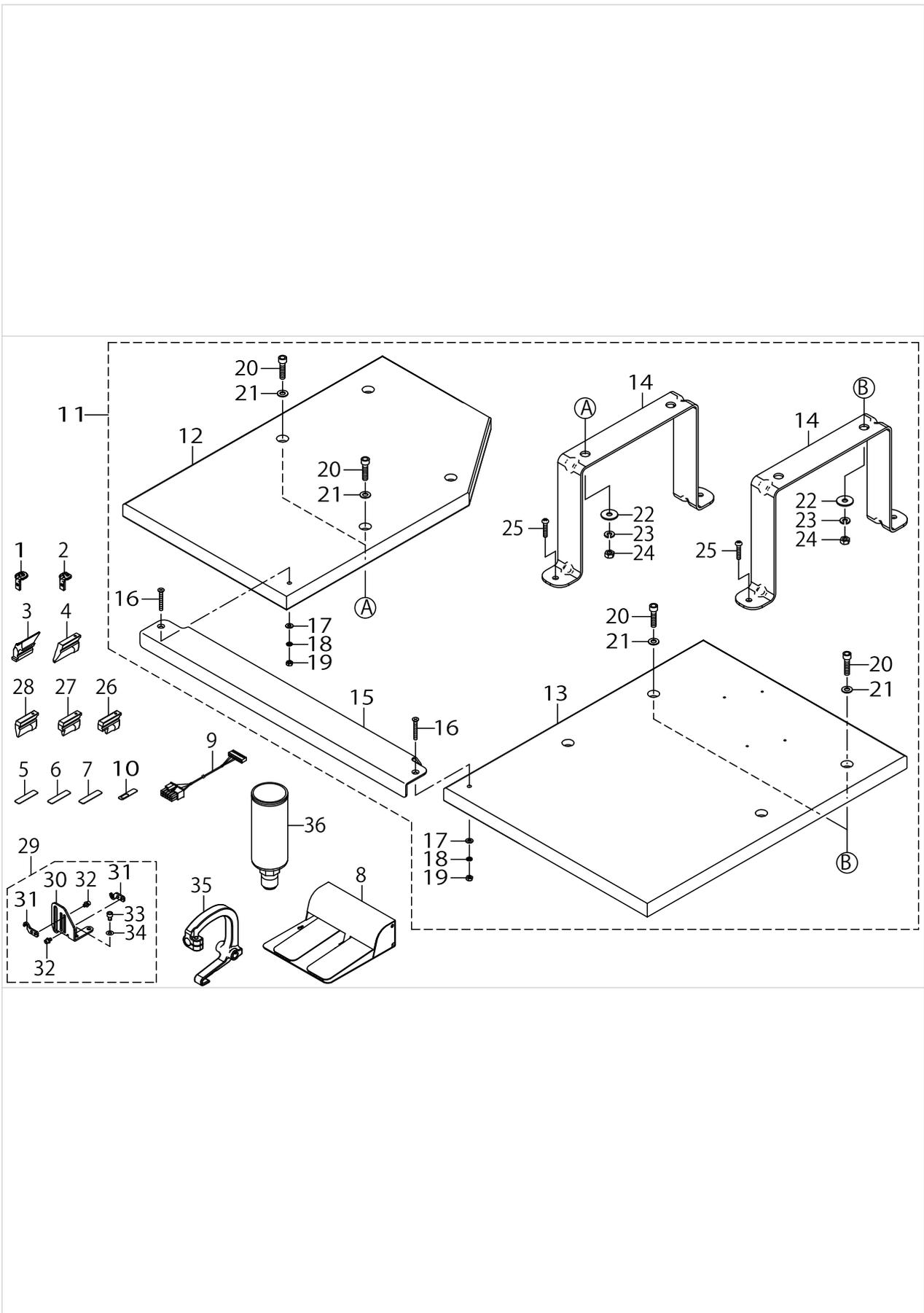


TABLE COMPONENTS

No.	Supply Code	Parts No.	Replacement	Parts name	Remarks	Choice	Step	Level	Cons	Qty	Rep. QTY
1		40132272		TABLE_ASM						1	
2		40126322		STAND ASM.						1	

OPTION COMPONENTS

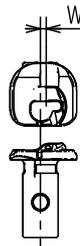


OPTION COMPONENTS

No.	Supply Code	Parts No.	Replacement	Parts name	Remarks	Choice	Step	Level	Cons	Qty	Rep. QTY
1		40115403		NEEDLE PLATE A00					☆	1	
2		40115404		NEEDLE PLATE A01					☆	1	
3		40115665		KNIFE 38MM					☆	1	
4		40115670		HAMMER 38MM EYELET H					☆	1	
5		40115638		SPACER 01						1	
6		40115639		SPACER 02						1	
7		40115640		SPACER 03						1	
8		40033831		PK78 PEDAL SWITCH ASM						1	
9		40114433		FSW RELAY CABLE ASM						1	
10		40115728		SPACER 02 (KNIFE)						1	
11		40115994		PH=SUB TABLE ASM						1	
12		40126870		SUB_TABLE_L				*		1	
13		40126871		SUB_TABLE_R				*		1	
14		40126872		SUB_TABLE_BRACKET				*		4	
15		40126873		SUB_TABLE_BEAM				*		1	
16		SM1043001SP		SCREW M4X0.7 L=30				*		2	
17		WP0430801SC		WASHER M4				*		2	
18		WS0410002KN		SPRING WASHER M4				*		2	
19		NM6040001SC		NUT M4X0.7 TYPE1				*		2	
20		SM6062502TN		SCREW				*		8	
21		WP0651001SC		WASHER				*		8	
22		WP0651646SC		WASHER				*		8	
23		WS0610002KN		SPRING WASHER M6				*		8	
24		NM6060001SC		NUT M6X1 TYPE1				*		8	
25		SK3582501SE		WOOD SCREW D=5.8 L=25				*		8	
26		40122565		HAMMER_18MM_EYELET_H					☆	1	
27		40122566		HAMMER_24MM_EYELET_H					☆	1	
28		40122567		HAMMER_28MM_EYELET_H					☆	1	
29		40146876		BALANS_THREAD_GUIDE_ASM						1	
30		40146877		BALANS_THREAD_GUIDE_BASE				*		1	
31		40146878		BALANS_THREAD_GUIDE				*		2	
32		SL6030692TN		SCREW M3 L=6				*		2	
33		SM6040602TN		BOLT				*		2	
34		WP0430801SC		WASHER M4				*		2	
35		40132257		PRESSER ARM BASE RH						1	
36		40115690		FLOAT_TYPE_AUTO_DRAIN					☆	1	

TABLE OF EXCHANGING GAUGE PARTS (1)

Throat plate
針板

Name of part 品名	A01 (for narrow needle throwing width) (細振幅用)	B01 (for wide needle throwing width) (広振幅用)	A00 (for narrow needle throwing width) (細振幅用)	B00 (for wide needle throwing width) (広振幅用)
Applicable needle throwing width 適用かがり幅	2.0~3.2mm	2.0~4.0mm	2.0~3.2mm	2.0~4.0mm
Needle size 針番手	#90~#110			
Gimp position W 芯糸位置W	1.8			
Shape 形状				
Ref.No.	1	2	3	4
Part No.	40115404	40115406	40115403	40115405
Type 仕様	For J01 and C01 types Option J01, C01仕様用 オプション	For J01 and C01 types Standard J01, C01仕様用 標準	For J00 and C00 types Option J00, C00仕様用 オプション	For J00 and C00 types Standard J00, C00仕様用 標準

Presser set
押え足

The mark in () parentheses shows the
standard equipment for each type.
()内の記号は、各仕様の標準装備品です。

Presser set(left) 押え足左	Name of part 品名	Compensating foot for eyelet buttonhole 34mm はと目穴用段押え 34mm	Compensating foot for eyelet buttonhole 38mm はと目穴用段押え 38mm	Edge presser for eyelet hole 34mm はと目穴用際押え 34mm	Edge presser for eyelet hole 38mm はと目穴用際押え 38mm
	Shape 形状	 (C01)	 (C00)	 (J01)	 (J00)
	Ref.No.	5	6	7	8
	Part No.	40115325	40115309	40115241	40115239
Presser set(right) 押え足右	Shape 形状	 (C01)	 (C00)	 (J01)	 (J00)
	Ref.No.	9	10	11	12
	Part No.	40115324	40115316	40115240	40115238
	Presser set(left) 押え足左	Name of part 品名	Edge presser for eyelet hole 32mm はと目穴用際押え 32mm	Edge presser for eyelet hole 22mm はと目穴用際押え 22mm	For eyelet buttonhole 32mm はと目穴用 32mm
Shape 形状					
Ref.No.		13	14	15	16
Part No.		40035239	40039844	14059604	14059802
Presser set(right) 押え足右	Shape 形状				
	Ref.No.	17	18	19	20
	Part No.	40035238	40039843	14059505	14059703

TABLE OF EXCHANGING GAUGE PARTS (1)

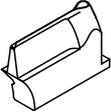
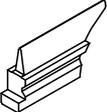
No.	Supply Code	Parts No.	Replacement	Parts name	Remarks	Choice	Step	Level	Cons	Qty	Rep. QTY
1		40115404		NEEDLE PLATE A01						1	
2		40115406		NEEDLE PLATE B01						1	
3		40115403		NEEDLE PLATE A00						1	
4		40115405		NEEDLE PLATE B00						1	
5		40115325		PRESSER FOOT L_34						1	
6		40115309		PRESSER FOOT L						1	
7		40115241		PRESSER FOOT L_34						1	
8		40115239		PRESSER FOOT L_38						1	
9		40115324		PRESSER FOOT R_34						1	
10		40115316		PRESSER FOOT R						1	
11		40115240		PRESSER FOOT R_34						1	
12		40115238		PRESSER FOOT R_38						1	
13		40035239		PRESSER FOOT LEFT W (M)						1	
14		40039844		PRESSER FOOT LEFT W (S)						1	
15		14059604		PRESSER FOOT LEFT 32MM						1	
16		14059802		PRESSER FOOT LEFT 22MM						1	
17		40035238		PRESSER FOOT RIGHT W (M)						1	
18		40039843		PRESSER FOOT RIGHT W (S)						1	
19		14059505		PRESSER FOOT RIGHT 32MM						1	
20		14059703		PRESSER FOOT RIGHT 22MM						1	

TABLE OF EXCHANGING GAUGE PARTS (2)

Presser holding plate
押え受け板

Name of part 品名	Eyelet buttonhole presser holding plate, left はと目押え受板左	Eyelet buttonhole presser holding plate, right はと目押え受板右	Eyelet buttonhole presser holding plate, left はと目押え受板左	Eyelet buttonhole presser holding plate, right はと目押え受板右
Shape of hole 穴形状	はと目穴		はと目穴	
Stitch length 縫い長さ	10~34		10~38	
Shape 形状				
Ref.No.	1	2	3	4
Part No.	40115322	40115323	32027104	32027005
Type 仕様	For J01 and C01 types J 01, C 01仕様用		For J00 and C00 types J 00, C 00仕様用	

Cloth cutting knife
布切りメス

Name of part 品名	For eyelet buttonhole はと目穴用	For decorative buttonhole 眠り穴用					
Shape 形状							
		Ref.No.	Part No.	X	Y	L	Remarks 備考
Eyelet buttonhole はと目穴	Provided as standard 標準装備	5	40115664	2.8	4.3	26	
	Only for the sewing machine provided with the needle thread trimmer 針糸切り仕様のみ	6	40115665	2.9	4.4	38	
		7	32063604	2.9	4.4	24	Optional spacer is used オプションスペーサ使用
		8	32063703	2.9	4.4	32	
	Only for the sewing machine provided with the needle thread trimmer 針糸切り仕様のみ	9	32063802	2.1	3.2	38	
		10	32063901	2.1	3.2	24	
		11	32064008	2.1	3.2	32	
		12	32064107	3.2	5.4	38	
		13	32064206	3.2	5.4	24	
		14	32064305	3.2	5.4	32	
Only for the sewing machine provided with the needle thread trimmer 針糸切り仕様のみ	15	32066904	2.7	5.1	38		
Decorative buttonhole 眠り穴		16	14041404	0	0	38	
		17	32065302	0	0	24	
		18	32065401	0	0	32	

Optional spacer オプションスペーサ	
	
Ref.No.	Part No.
19	40115728

TABLE OF EXCHANGING GAUGE PARTS (2)

No.	Supply Code	Parts No.	Replacement	Parts name	Remarks	Choice	Step	Level	Cons	Qty	Rep. QTY
1		40115322		HOLDING PLATE PIGHT						1	
2		40115323		HOLDINGPLATELEFT						1	
3		32027104		HOLDING PLATE LEFTT						1	
4		32027005		HOLDING PLATE RIGHT						1	
5		40115664		KNIFE						1	
6		40115665		KNIFE 38MM						1	
7		32063604		CUTTING KNIFE (EYLET) S						1	
8		32063703		CUTTING KNIFE (EYELET) M						1	
9		32063802		CUTTING KNIFE (EYELET) 1						1	
10		32063901		CUTTING KNIFE (EYELET) 1S						1	
11		32064008		CUTTING KNIFE (EYELET) 1M						1	
12		32064107		CUTTING KNIFE (EYELET) 5						1	
13		32064206		CUTTING KNIFE (EYELET) 5S						1	
14		32064305		CUTTING KNIFE (EYELET) 5M						1	
15		32066904		CUTTING KNIFE (EYELET) 6						1	
16		14041404		CUTTING KNIFE (DECORATIVE)						1	
17		32065302		CUTTING KNIFE (DECORATIVE) S						1	
18		32065401		CUTTING KNIFE (DECORATIVE) M						1	
19		40115728		SPACER 02 (KNIFE)						1	

TABLE OF EXCHANGING GAUGE PARTS (3)

Knife holder
刃受け

Name of part 品名		For eyelet buttonhole はと目穴用		
Shape 形状				
Size(mm)	Ref.No.	Part No.	Remarks 備考	
38	1	40115670		
28	37	40122567		
26	2	40115669	(J accessories J付属)	
24	38	40122566		
22	3	40115668	(C accessories C付属)	
18	39	40122565		
20	4	40115667	(J)	
16	5	40115666	(C)	
38	6	32067209	Optional spacer is used オプションスペーサ使用	
36	7	32067308		
34	8	32067407		
32	9	32067506		
30	10	32067605		
28	11	32067704		
26	12	32067803		
24	13	32067902		
22	14	32068009		
20	15	32068108		
18	16	32068207		
16	17	32068306		
14	18	32068405		
12	19	32068504		
10	20	32068603		

The mark in ()parentheses shows the standard equipment for each type.
()内の記号は、各仕様の標準装備品です。

Name of part 品名		For decorative buttonhole 眠り穴用		
Shape 形状				
Size(mm)	Ref.No.	Part No.	Remarks 備考	
38	21	14042501	Optional spacer is used オプションスペーサ使用	
36	22	32064404		
34	23	32064503		
32	24	14042600		
30	25	32064602		
28	26	32064701		
26	27	14042808		
24	28	32064800		
22	29	14042907		
20	30	32064909		
18	31	32065005		
16	32	14043103		
14	33	32065104		
12	34	32065203		
10	35	14043301		

Optional spacer オプションスペーサ	
	
Ref.No.	Part No.
36	40115639

TABLE OF EXCHANGING GAUGE PARTS (3)

No.	Supply Code	Parts No.	Replacement	Parts name	Remarks	Choice	Step	Level	Cons	Qty	Rep. QTY
1		40115670		HAMMER 38MM EYELET H						1	
2		40115669		HAMMER 26MM EYELET H						1	
3		40115668		HAMMER 22MM EYELET H						1	
4		40115667		HAMMER 20MM EYELET H						1	
5		40115666		HAMMER 16MM EYELET H						1	
6		32067209		KNIFE HOLDER 38MM (EYELET) H						1	
7		32067308		KNIFE HOLDER 36MM (EYELET) H						1	
8		32067407		KNIFE HOLDER 34MM (EYELET) H						1	
9		32067506		KNIFE HOLDER 32MM (EYELET) H						1	
10		32067605		KNIFE HOLDER 30MM (EYELET) H						1	
11		32067704		KNIFE HOLDER 28MM (EYELET) H						1	
12		32067803		KNIFE HOLDER 26MM (EYELET) H						1	
13		32067902		KNIFE HOLDER 24MM (EYELET) H						1	
14		32068009		KNIFE HOLDER 22MM (EYELET) H						1	
15		32068108		KNIFE HOLDER 20MM (EYELET) H						1	
16		32068207		KNIFE HOLDER 18MM (EYELET) H						1	
17		32068306		KNIFE HOLDER 16MM (EYELET) H						1	
18		32068405		KNIFE HOLDER 14MM (EYELET) H						1	
19		32068504		KNIFE HOLDER 12MM (EYELET) H						1	
20		32068603		KNIFE HOLDER 10MM (EYELET) H						1	
21		14042501		KNIFE HOLDER 40M- M DECORATIVE						1	
22		32064404		KNIFE HOLDER 36M- M DECORATIVE						1	
23		32064503		KNIFE HOLDER 34M- M DECORATIVE						1	
24		14042600		KNIFE HOLDER 32M- M DECORATIVE						1	
25		32064602		KNIFE HOLDER 30M- M DECORATIVE						1	
26		32064701		KNIFE HOLDER 28M- M DECORATIVE						1	
27		14042808		KNIFE HOLDER 26M- M DECORATIVE						1	
28		32064800		KNIFE HOLDER 24M- M DECORATIVE						1	
29		14042907		KNIFE HOLDER 22M- M DECORATIVE						1	
30		32064909		KNIFE HOLDER 20M- M DECORATIVE						1	
31		32065005		KNIFE HOLDER 18M- M DECORATIVE						1	
32		14043103		KNIFE HOLDER 16M- M DECORATIVE						1	
33		32065104		KNIFE HOLDER 14M- M DECORATIVE						1	
34		32065203		KNIFE HOLDER 12M- M DECORATIVE						1	
35		14043301		KNIFE HOLDER 10M- M DECORATIVE						1	
36		40115639		SPACER 02						1	
37		40122567		HAMMER_28MM_EYELET_H						1	
38		40122566		HAMMER_24MM_EYELET_H						1	
39		40122565		HAMMER_18MM_EYELET_H						1	

HOW TO MAKE USE OF THIS PARTS LIST

1.Explanation of codes

1)"*"mark.....means this part is changed from the previous parts book.

As to the details of the change, refer to the "List for information of change".

2)"#01".....refer to "Note" explanation at bottom of page.

2.Codes on the "Qty" column

- Each numeral indicates the number of parts required.
- "0.1" and "2.5" indicate the length (in meters) of the respective parts.

3.Parentheses mean that the corresponding part is a subpart that constructs an assembly part.

4.Dotted lines on the Figures indicate assembly parts.

5.As to the parts with marks of "☆"(consumable parts) and "◎"(optional parts)on the respective parts, it is recommended to prepare spares.

1 ."注記"欄の記号説明

1) "*"印.....前回のパーツブックに比較して今回変更された部品を意味します。

変更内容は、"変更情報リスト"を参照してください。

2) "#01".....ページ下の"注記"の説明を参照してください。

2.数量欄の数字は、個数を表し、0.1、2.5等の数値は、長さ（単位メートル）を表します。

3.数量欄の（ ）は、組部品を構成している子部品であることを意味します。

4.イラストページの-----枠は、組構成であることを意味します。

5.リストページの"☆"（消耗部品）、"◎"（オプション部品）の印がついた部品は、予備を準備しておくことをお奨めします。

NUMERICAL INDEX OF PARTS

PART NO	PAGE	REF NO.	PART NO	PAGE	REF NO.	PART NO	PAGE	REF NO.
10109700	42	65	14059505	96	19	26501502	18	50
10112704	40	6	14059604	96	15	32002008	6	47
10523504	16	14	14059703	96	20	32002008	8	47
10622009	4	49	14059802	96	16	32002255	10	11
11001005	2	29	16121907	64	12	32002255	84	22
12922605	14	102	22502504	60	13	32006504	12	84
13149901	24	15	22604805	74	56	32012205	20	41
13168901	88	13	22901805	10	7	32012601	22	55
13168950	88	11	22902506	2	21	32012700	22	57
13170105	72	4	22921407	58	6	32012809	22	53
13172903	24	30	22921407	62	6	32027005	28	12
13309208	48	29	22921407	68	39	32027005	30	11
13312202	44	49	22921803	58	7	32027005	98	4
13312202	46	49	22921803	62	7	32027104	28	11
13332705	62	18	22921803	68	40	32027104	30	12
13332705	68	46	22928907	58	8	32027104	98	3
13341102	58	5	22928907	62	8	32027203	32	23
13341102	62	5	22928907	68	41	32027401	32	25
13341102	68	38	22930309	88	2	32034308	36	32
13409800	60	2	22930408	88	3	32034803	4	52
13416508	10	30	22930507	88	4	32040305	40	27
13850052	88	1	22930556	88	22	32052409	40	15
14009104	54	25	22930705	88	5	32053506	60	20
14009203	54	26	22930804	88	6	32054900	60	14
14010508	32	51	22930903	88	7	32054900	84	42
14010508	34	51	22931000	88	8	32055501	60	16
14012504	6	46	22931109	88	9	32063604	98	7
14028708	42	58	22931307	88	10	32063703	98	8
14030001	42	71	22931406	88	12	32063802	98	9
14030100	60	8	22932800	88	24	32063901	98	10
14039507	64	24	22933006	88	26	32064008	98	11
14040703	64	5	22933105	88	27	32064107	98	12
14040802	64	26	22933204	88	25	32064206	98	13
14041404	98	16	23604200	44	9	32064305	98	14
14042501	100	21	23604200	48	7	32064404	100	22
14042600	100	24	23630007	42	79	32064503	100	23
14042808	100	27	23630007	72	51	32064602	100	25
14042907	100	29	23630007	74	51	32064701	100	26
14043103	100	32	26034702	88	28~30	32064800	100	28
14043301	100	35	26037200	2	26	32064909	100	30
14044903	40	29	26217604	6	49	32065005	100	31
14045306	40	16	26217604	8	49	32065104	100	33
14045801	54	33	26217604	60	15	32065203	100	34
14045900	54	32	26234005	88	43	32065302	98	17
14058002	88	42	26501502	16	50	32065401	98	18

NUMERICAL INDEX OF PARTS

PART NO	PAGE	REF NO.	PART NO	PAGE	REF NO.	PART NO	PAGE	REF NO.
32066904	98	15	40072396	70	50	40114400	84	3
32067209	100	6	40072396	76	16	40114420	16	38
32067308	100	7	40081602	82	46·47	40114420	84	25
32067407	100	8	40081602	84	14·15	40114421	18	66
32067506	100	9	40081603	82	51	40114421	84	26
32067605	100	10	40086469	84	12·13	40114422	66	54
32067704	100	11	40086470	84	12·13	40114422	84	27
32067803	100	12	40086712	52	9	40114423	36	46
32067902	100	13	40089784	12	47	40114423	84	28
32068009	100	14	40099923	56	17	40114424	44	19
32068108	100	15	40099989	56	3~6	40114424	84	29
32068207	100	16	40099990	56	3~6	40114425	24	42
32068306	100	17	40099991	56	3~6	40114425	84	30
32068405	100	18	40099992	56	3~6	40114426	66	55
32068504	100	19	40100145	12	55	40114426	84	31
32068603	100	20	40100390	12	51	40114427	4	47
32068900	64	25	40105465	80	15·35	40114427	84	23
32075301	66	59	40105465	84	9·10	40114430	6	3
32078800	6	4	40105475	80	15·35	40114433	84	2
32079105	6	7	40105475	84	9·10	40114433	94	9
40005692	78	3	40108520	78	1	40114436	84	40
40005693	78	4	40108520	84	19	40114437	84	43
40005697	78	13	40108521	78	2	40114438	84	38
40006515	48	33	40108529	78	5	40114439	86	44
40006516	48	35	40108530	78	6	40114440	84	39
40006840	40	35	40111214	80	17	40114441	84	35
40008423	60	19	40111214	84	16	40114442	84	41
40010414	62	15	40113451	82	46·47	40114443	84	24
40010477	60	31	40113451	84	14·15	40114444	48	1
40015692	40	43	40114136	80	6	40114444	84	20
40015693	40	44	40114356	80	1~3	40115110	2	8
40020191	72	47	40114357	80	1~3	40115112	2	9
40020191	74	47	40114358	80	1~3	40115113	2	20
40020389	60	21	40114370	84	11	40115115	2	22
40020390	60	33	40114371	84	7·8	40115116	6	35
40030628	20	32	40114372	84	7·8	40115119	2	24
40033831	84	1	40114373	84	5	40115120	2	30
40033831	94	8	40114375	84	4	40115121	2	32
40035238	96	17	40114380	2	42	40115122	2	35
40035239	96	13	40114380	84	34	40115124	2	36
40039843	96	18	40114389	84	21	40115125	2	38
40039844	96	14	40114390	10	19	40115126	2	39
40044053	48	39	40114390	84	32	40115127	2	40
40051473	48	5	40114398	80	16	40115129	2	43
40055811	70	62	40114400	80	13	40115130	6	24

NUMERICAL INDEX OF PARTS

PART NO	PAGE	REF NO.	PART NO	PAGE	REF NO.	PART NO	PAGE	REF NO.
40115131	6	26	40115199	16	12	40115241	96	7
40115132	6	37	40115200	16	15	40115249	24	6
40115134	6	45	40115201	16	20	40115251	24	16
40115136	6	1	40115202	16	28	40115252	24	9
40115136	84	33	40115203	16	21	40115254	24	10
40115137	6	2	40115204	16	29	40115255	24	12
40115138	6	5	40115205	16	24	40115256	24	14
40115139	6	6	40115206	16	26	40115257	24	17
40115140	6	17	40115207	16	33	40115258	24	24
40115141	6	18	40115208	16	34	40115259	24	19
40115142	6	20	40115209	18	52	40115260	24	21
40115143	6	22	40115210	18	53	40115261	24	22
40115157	10	1	40115211	18	54	40115262	24	23
40115159	10	38	40115212	18	55	40115263	24	27
40115160	14	96	40115213	18	56	40115265	24	32
40115161	14	95	40115214	18	64	40115266	24	35
40115162	10	14	40115215	16	40	40115267	24	37
40115163	10	15	40115216	18	68	40115268	24	38
40115164	10	17	40115217	18	73	40115269	24	39
40115166	10	20	40115219	18	74	40115271	24	40
40115167	10	23	40115221	72	27	40115272	24	36
40115168	10	25	40115222	72	23	40115277	26	1
40115169	10	28	40115223	72	28	40115278	26	3
40115170	10	32	40115224	72	24	40115280	26	4
40115171	10	35	40115225	72	15	40115282	26	6
40115172	10	39	40115227	20	1	40115283	26	8
40115173	10	41	40115228	20	60	40115284	26	9
40115174	10	44	40115228	22	60	40115285	26	10
40115175	10	46	40115229	20	6	40115286	26	13
40115176	12	54	40115230	20	27	40115288	26	14
40115177	12	60	40115231	20	30	40115289	26	18
40115178	12	65	40115232	20	11	40115290	26	20
40115179	12	66	40115233	20	12	40115291	26	24
40115180	12	69	40115234	20	44	40115292	26	27
40115181	12	71	40115235	20	48	40115302	32	4
40115182	12	72	40115235	22	48	40115303	32	26
40115183	12	73	40115236	20	33	40115304	32	16
40115184	12	76	40115237	20	35	40115305	32	28
40115185	12	77	40115238	28	8	40115307	28	16
40115186	12	81	40115238	96	12	40115307	30	16
40115188	12	89	40115239	28	7	40115309	30	8
40115189	10	13	40115239	96	8	40115309	96	6
40115190	10	8	40115240	28	19	40115310	32	38
40115197	16	8	40115240	96	11	40115311	32	40
40115198	16	9	40115241	28	20	40115313	32	43

NUMERICAL INDEX OF PARTS

PART NO	PAGE	REF NO.	PART NO	PAGE	REF NO.	PART NO	PAGE	REF NO.
40115314	32	44	40115375	40	38	40115435	44	41
40115316	30	7	40115376	40	39	40115436	44	44
40115316	96	10	40115377	40	41	40115437	46	47
40115317	34	55	40115378	40	42	40115438	46	50
40115318	32	30	40115379	42	47	40115439	44	18
40115321	28	10	40115380	40	46	40115440	44	39
40115321	30	9	40115381	42	48	40115441	44	45
40115322	28	22	40115382	42	50	40115442	46	51
40115322	30	22	40115383	42	51	40115448	54	30
40115322	98	1	40115384	42	56	40115453	48	9
40115323	28	21	40115387	42	57	40115458	48	12
40115323	30	23	40115388	42	60	40115459	48	14
40115323	98	2	40115389	42	61	40115460	48	18
40115324	30	24	40115390	42	64	40115461	48	15
40115324	96	9	40115391	42	66	40115464	48	20
40115325	30	25	40115394	42	83	40115465	48	26
40115325	96	5	40115395	42	70	40115466	44	24
40115326	28	23	40115396	42	72	40115466	48	44
40115326	30	19	40115397	40	5	40115467	48	13
40115327	28	24	40115400	40	21	40115468	48	27
40115327	30	20	40115401	40	22	40115477	50	4
40115330	32	42	40115402	40	34	40115478	50	5
40115337	36	1	40115403	94	1	40115479	50	7
40115338	36	4	40115403	96	3	40115492	54	35
40115339	36	8	40115404	94	2	40115493	52	3
40115340	36	11	40115404	96	1	40115494	52	10
40115341	36	12	40115405	42	73·74	40115495	52	12
40115342	36	14	40115405	96	4	40115496	52	13
40115343	36	19	40115406	42	73·74	40115497	52	14
40115344	36	21	40115406	96	2	40115500	52	15
40115345	36	22	40115418	44	3	40115501	52	16
40115346	36	24	40115419	44	4	40115504	52	17
40115347	36	34	40115420	44	8	40115505	52	18
40115348	36	43	40115421	44	12	40115506	52	20
40115349	38	50	40115422	44	13	40115507	52	21
40115365	40	2	40115423	44	16	40115508	52	22
40115366	40	9	40115424	46	54	40115509	52	23
40115367	40	11	40115425	44	33	40115510	52	24
40115368	40	12	40115426	44	26	40115511	52	26
40115369	40	13	40115427	44	27	40115512	52	28
40115370	40	14	40115430	44	28~31	40115513	52	29
40115371	40	20	40115431	44	28~31	40115514	52	1
40115372	40	26	40115432	44	28~31	40115524	54	34
40115373	40	31	40115433	44	28~31	40115525	54	8
40115374	40	37	40115434	44	37	40115530	54	12

NUMERICAL INDEX OF PARTS

PART NO	PAGE	REF NO.	PART NO	PAGE	REF NO.	PART NO	PAGE	REF NO.
40115531	54	14	40115622	62	1	40115668	100	3
40115535	54	21	40115624	62	20	40115669	90	52
40115543	54	37	40115627	62	22	40115669	100	2
40115544	54	39	40115629	62	24	40115670	94	4
40115545	54	3	40115637	64	19	40115670	100	1
40115546	54	2	40115638	64	20	40115682	76	2
40115547	54	4	40115638	90	48~50	40115683	76	1
40115550	54	1	40115638	94	5	40115683	84	18
40115557	56	19	40115639	64	21	40115684	76	6
40115558	56	20	40115639	90	48~50	40115685	76	10
40115559	56	22	40115639	94	6	40115690	94	36
40115560	56	9	40115639	100	36	40115698	72	19
40115561	56	10	40115640	64	22	40115699	72	18
40115562	56	12	40115640	90	48~50	40115700	72	37
40115563	56	1	40115640	94	7	40115703	72	40
40115564	56	2	40115641	64	23	40115727	88	45
40115566	56	14	40115642	64	35	40115728	94	10
40115567	56	16	40115643	64	36	40115728	98	19
40115578	58	2	40115644	64	31	40115874	80	7
40115578	62	2	40115645	64	33	40115876	80	9
40115579	58	3	40115647	64	37	40115877	80	10
40115579	62	3	40115648	64	38	40115878	80	11
40115579	68	36	40115649	64	40	40115879	80	12
40115580	58	4	40115651	66	41	40115901	68	11
40115580	62	4	40115652	66	43	40115902	68	13
40115580	68	37	40115653	66	47	40115904	68	18
40115581	58	14	40115654	64	48	40115905	70	61
40115585	58	16	40115654	66	48	40115906	68	16
40115588	58	13	40115655	66	45	40115907	68	15
40115589	58	20	40115656	66	50	40115909	68	1
40115597	60	1	40115658	64	7	40115910	68	7
40115599	60	4	40115659	64	9	40115911	68	6
40115600	60	5	40115660	64	15	40115912	68	3
40115601	60	6	40115661	64	14	40115914	68	17
40115602	60	10	40115662	66	52	40115915	70	48
40115603	60	22	40115663	66	53	40115916	68	9
40115604	60	23	40115664	64	18	40115917	68	31
40115605	60	24	40115664	98	5	40115918	68	33
40115606	60	28	40115665	94	3	40115919	68	35
40115607	60	29	40115665	98	6	40115994	94	11
40115608	60	30	40115666	66	60·61	40118782	58	1
40115609	60	36	40115666	100	5	40119990	72	25
40115611	60	37	40115667	66	60·61	40119991	72	16·17
40115612	60	39	40115667	100	4	40119992	10	2
40115613	60	40	40115668	90	51	40119993	72	43

NUMERICAL INDEX OF PARTS

PART NO	PAGE	REF NO.	PART NO	PAGE	REF NO.	PART NO	PAGE	REF NO.
40119996	72	33	40146877	94	30	B3518280000	72	20
40120491	20	39	40146878	94	31	B4328220000	42	55
40120513	10	5	40149782	42	67	B8111220000	14	98
40122565	94	26	40149783	42	68	B8112220000	14	97
40122565	100	39	40150131	4	60	B8202205000	14	99
40122566	94	27	40150131	82	43	B9113012000	88	28~30
40122566	100	38	40151033	64	1	B9121012000	14	100
40122567	94	28	40151034	48	10	B91210120A0	88	38
40122567	100	37	40151035	48	11	B9140372000	88	31~37
40126054	82	63	40151037	48	17	B9142372000	88	31~37
40126322	92	2	40151038	54	10	B9143372000	88	28~30
40126412	84	17	40151039	54	11	BP500000000	72	31
40126835	24	44	40151040	54	16~20	BT0400251EB	58	22
40126870	94	12	40151041	54	16~20	BT0400251EB	62	13
40126871	94	13	40151042	54	16~20	BT0400251EB	76	20
40126872	94	14	40151043	54	16~20	BT0600401EB	76	35
40126873	94	15	40151044	54	16~20	BT0800601B0	58	24
40130905	50	1	40153639	28	1	BT1000651EB	76	34
40131483	50	3	40153639	30	1	BT1200801EF	64	13
40132257	94	35	40153640	28	4	CM100300001	8	54
40132272	92	1	40153640	30	4	CM300100001	82	39
40132291	50	11	40153643	28	13	CM300100402	82	41
40132292	50	10	40153643	30	13	CM300200001	4	57
40132293	50	9	40153644	28	14	CM300200001	8	56
40133594	4	53	40153644	30	14	CM300200001	66	62
40134501	16	1	40153647	28	15	CM300200002	8	55
40134501	84	36	40153647	30	15	CM300200002	14	104
40134502	36	36	40170906	44	1	CM300200003	8	57
40134502	84	37	40170907	48	3	CM300400602	82	40
40134725	12	83	A1230500000A	48	41	CM301300001	4	58
40136294	16	4	B1128850000	58	25	CM500200001	48	38
40136295	36	37	B1135850000	40	28	CM600100101	4	59
40138570	68	19	B1212210D00	48	37	CM600100101	78	10
40139091	88	41	B1223771000	12	49	CM600100101	82	42
40139096	68	20	B1625220000	68	24	CQ200000000	42	81
40142267	80	14	B1626220000	68	25	CQ200000000	72	55
40142267	84	6	B1816280000	36	42	CQ200000000	74	55
40143988	82	5-36	B1820210D00	42	75	CQ202000000	42	76
40143989	80	5-36	B1821210D00	42	69	CQ252000000	14	103
40143990	80	8	B2107816000	24	34	CQ252200000	42	78
40144291	40	1	B2313180000	54	31	CQ252200000	52	33
40145279	54	15	B3121804000	58	9	CQ252200000	72	46
40145280	54	23	B3121804000	62	9	CQ3500000F0	42	77
40145281	54	9	B3121804000	68	42	CS0800881TP	12	56
40146876	94	29	B3501210000	2	6	CS0800881TP	32	45

NUMERICAL INDEX OF PARTS

PART NO	PAGE	REF NO.	PART NO	PAGE	REF NO.	PART NO	PAGE	REF NO.
CS1200981TP	12	79	HX00150000H	2	18	NM6850001SC	60	27
CS1200981TP	36	15	HX00150000N	6	29	PA0600504A0	58	11
D2113555B00	90	47	HX00222000D	80	20	PA0600504A0	62	11
E1902172000	16	36	HX002330000	70	59	PA0600504A0	68	44
E2066715000	36	17	HX00292000A	80	21	PA1000601A0	68	23
E2193172000	12	87	HX00339000F	12	91	PA1001029A0	60	9
E8760452S00	82	45	HX00339000M	80	22	PA100153400	26	22
EA9002B1100	10	3	J1043000A0A	90	53	PA100201300	24	1
EA9500B0000	18	72	J106600000C	88	31~37	PA1602009A0	68	29
EA9500B0000	40	23	J106600000D	88	31~37	PA1602011A0	32	21
EA9500B0100	6	15	KX000000260	80	19	PA1602013A0	20	37
EA9500B0100	18	47	KX000000320	80	18	PB000010000	88	39
EA9500B0100	44	35	M300451100A	82	61	PC012401000	76	29
EA9500B0100	72	32	M8002430000	80	34	PC012601000	76	30
EA9500B0100	78	7	MAI17001000	88	31~37	PF025215000	76	26
EA9500B0100	82	44	MC185801100	54	28	PH0300062C0	58	10
EA9500B0200	52	34	MC185801102	88	44	PH0300062C0	62	10
EA9500B0200	82	60	MTJMS00000S	88	23	PH0300062C0	68	43
G5681116000	32	2	MTSHJ100003	82	62	PH0400105S0	38	53
G6013880000	26	25	NM6030003SC	10	27	PH0400402C0	90	46
GAF01007000	48	40	NM6030003SC	26	17	PH0500102C0	2	7
GCT02905000	88	31~37	NM6040001SC	74	59	PJ025100002	70	54
GCT02906000	88	31~37	NM6040001SC	94	19	PJ032052503	24	3
HA005820000	82	48·49	NM6040001SD	6	14	PJ032052503	32	3
HA006420000	82	48·49	NM6040001SP	24	26	PJ032052503	58	12
HD002780000	16	2	NM6040003SC	26	21	PJ046039001	68	28
HD002780000	36	38	NM6040003SC	60	18	PJ046052501	32	22
HF0013050P0	82	56·57	NM6050001SC	20	34	PJ046052503	32	1
HF003000200	82	56·57	NM6050001SC	32	20	PJ046052503	62	12
HN00149000D	14	105	NM6050001SC	72	39	PJ046052503	68	30
HX00094000A	72	21	NM6050001SC	76	9	PJ046054002	24	2
HX00094000C	10	6	NM6050001SE	88	19	PJ210304010	60	12
HX00094000C	72	34	NM6050001SP	24	11	PJ301040502	68	45
HX001500000	6	30	NM6050003SC	12	68	PJ301060004	76	24
HX001500000	16	70	NM6060001SC	12	50	PJ301060503	64	17
HX001500000	18	70	NM6060001SC	94	24	PJ303060003	76	21
HX001500000	36	44	NM6060001SE	36	9	PJ304040301	26	23
HX001500000	44	21	NM6060003SC	12	64	PJ304040504	20	38
HX00150000A	2	14	NM6060003SC	62	17	PJ304065101	70	53
HX00150000B	2	45	NM6060003SE	36	31	PJ304100004	12	88
HX00150000B	22	61	NM6080002SC	82	55	PJ304105201	66	46
HX00150000C	74	57	NM6080003SC	12	92	PJ304105301	76	27
HX00150000D	72	5	NM6160511SE	88	14	PJ305040502	20	40
HX00150000D	82	58	NM6660043SD	64	34	PJ305100002	76	25
HX00150000F	2	16	NM6850001SC	26	5	PJ308040002	22	62

NUMERICAL INDEX OF PARTS

PART NO	PAGE	REF NO.	PART NO	PAGE	REF NO.	PART NO	PAGE	REF NO.
PJ309520001	88	40	SB30700020D	48	21~24	SL6040892TN	2	54
PS0100052KP	68	21	SB408000100	16	49	SL6040892TN	4	54
PS0200162KH	60	34	SB408000100	18	49	SL6040892TN	22	52
PS0250082KP	40	24	SB710000200	18	62	SL6040892TN	36	45
PS0300142KH	12	70	SB808000200	52	6	SL6040892TN	44	17
PS0400142KH	48	42	SD0400266TP	10	29	SL6040892TN	66	57
PS0500452KP	12	82	SD0400506TP	10	26	SL6040892TN	68	34
PS0800162KP	10	12	SD0600277TP	2	33	SL6040892TN	72	44
PV010015000	22	63	SD0791276TP	12	63	SL6041092TN	2	41
PV035161000	70	51	SD0800327TP	20	29	SL6041092TN	6	31
PV150103200	70	56	SD0800656TP	20	31	SL6041092TN	24	29
PV150103200	76	17	SD0800746TP	52	7	SL6041092TN	54	6
PV155303000	76	14	SD1001526TP	36	30	SL6041092TN	58	26
PX055104000	70	52	SK3382001SE	78	11	SL6041092TN	66	58
PX055202000	76	11	SK3452501SE	70	49	SL6041092TN	74	58
PX500014000	70	57	SK3512001SE	82	52	SL6041492TN	16	48
PX500014000	76	12	SK3582501SE	94	25	SL6041492TN	18	48
PX500020000	20	36	SL4020591SC	16	3	SL6041492TN	54	7
PX500020000	32	19	SL4020591SC	36	39	SL6051092TN	6	21
RC0100001KP	16	10	SL4021091SC	6	11	SL6051092TN	60	35
RC0470611KP	60	11	SL4030881SC	82	38	SL6051242TN	36	26
RC1850001KP	44	6	SL4030891SC	40	36	SL6051292TN	6	19
RC1900001KP	18	63	SL4031081SC	78	9	SL6051292TN	24	5
RC1951211KP	16	37	SL4031481SC	14	101	SL6051292TN	36	25
RE0200000K0	42	49	SL4040881SC	10	24	SL6051292TN	52	25
RE0300000K0	68	26	SL4040881SC	80	37	SL6051692TN	24	28
RE0400000KP	6	51	SL4040881SC	82	37	SL6052592TN	48	2
RE0400000KP	8	51	SL4040891SC	6	27	SL6061292TN	6	23
RE0500000KP	32	54	SL4040891SC	16	71	SL6061492TN	10	36
RE0500000KP	34	54	SL4040891SC	18	71	SL6083092TN	12	86
SB110000400	36	28	SL4040891SC	44	22	SM0030301SN	28	18
SB110002400	16	11	SL4041081SC	80	24	SM0030301SN	30	18
SB112001800	36	18	SL4041091SC	10	4	SM0040801SC	60	7
SB120000300	44	5	SL4041091SC	82	59	SM0081001SD	72	1
SB120001600	48	6	SL4041091SE	82	50	SM1030400SP	32	49
SB120002000	44	10	SL4041281SC	80	33	SM1030400SP	34	49
SB120003000	48	30	SL4041691SC	78	12	SM1030501SC	54	24
SB120003100	40	33	SL4042081SC	10	18	SM1030601SC	10	40
SB120003100	44	23	SL4042091SC	80	32	SM1030601SC	22	58
SB120003100	48	43	SL4051291SC	72	38	SM1030601SP	28	25
SB120003100	50	2	SL6030692TN	6	12	SM1030601SP	30	21
SB125000500	54	27	SL6030692TN	60	41	SM1030601SP	52	30
SB30700020A	48	21~24	SL6030692TN	94	32	SM1030801SP	24	41
SB30700020B	48	21~24	SL6031692TN	10	10	SM1041001SN	6	52
SB30700020C	48	21~24	SL6040642TN	50	8	SM1041001SN	8	52

NUMERICAL INDEX OF PARTS

PART NO	PAGE	REF NO.	PART NO	PAGE	REF NO.	PART NO	PAGE	REF NO.
SM1041001SP	32	53	SM6020600TP	68	12	SM6051002TN	36	3
SM1041001SP	34	53	SM6030402TP	64	3	SM6051002TP	10	74
SM1041201SC	40	10	SM6030502TP	64	27	SM6051002TP	12	74
SM1043001SP	94	16	SM6030600SP	42	54	SM6051002TP	26	28
SM1061201SN	10	37	SM6030602TP	10	45	SM6051002TP	72	41
SM1850600SP	28	9	SM6030602TP	38	51	SM6051202TP	64	11
SM1850600SP	30	10	SM6030602TP	52	31	SM6051552TP	56	15
SM4030455SP	46	48	SM6030602TP	54	22	SM6051602TP	64	6
SM4030501SC	6	10	SM6031202TP	54	40	SM6052002TP	16	31
SM4030655SP	44	42	SM6031402TP	42	82	SM6052502TP	16	17
SM4030801SC	16	67	SM6031402TP	54	38	SM6061002TP	62	16
SM4030801SC	18	67	SM6031602TP	24	4	SM6061202TP	12	58
SM4030801SC	38	47	SM6032002TN	68	27	SM6061202TP	18	61
SM4030801SC	44	20	SM6034002TN	26	26	SM6061202TP	36	35
SM4030801SE	66	56	SM6040602TN	94	33	SM6061402TP	12	52
SM4040655SP	2	48	SM6040602TP	2	44	SM6061602TP	52	11
SM4040655SP	4	48	SM6040602TP	10	9	SM6061610SC	88	21
SM4040655SP	26	11	SM6040602TP	16	46	SM6061650TP	16	30
SM4040655SP	38	48	SM6040602TP	58	21	SM6062502TN	94	20
SM4040655SP	58	15	SM6040602TP	62	25	SM6062502TP	16	18
SM4040655SP	62	19	SM6040602TP	64	8	SM6064002TP	44	7
SM4040655SP	70	47	SM6040610SC	2	12	SM6088502TP	14	94
SM4040855SP	20	51	SM6040650TP	60	42	SM6850402TN	42	52
SM4040855SP	22	51	SM6040800SP	44	14	SM6850502TN	48	16
SM4040855SP	40	30	SM6040802TP	2	46	SM8020452TP	48	19
SM4040855SP	62	14	SM6040802TP	10	42	SM8030312TP	24	33
SM4041055SP	40	3	SM6040802TP	16	41	SM8030312TP	26	15
SM4041055SP	44	32	SM6040802TP	20	43	SM8030412TP	40	45
SM4041255SP	42	62	SM6040802TP	32	24	SM8030412TP	56	21
SM4042055SP	20	49	SM6040802TP	68	8	SM8030412TP	60	32
SM4042055SP	22	49	SM6040860TP	16	35	SM8030412TP	68	4
SM4042555SP	40	17	SM6041002TP	42	59	SM8030602TP	64	10
SM4043055SP	40	18	SM6041002TP	68	10	SM8031002TP	40	32
SM4043555SP	70	58	SM6041050TP	6	9	SM8031212TP	26	16
SM4050855SP	32	17	SM6041050TP	68	14	SM8040310SS	48	36
SM4051255SP	2	10	SM6041202TP	32	27	SM8040360TP	24	31
SM4051405SE	88	20	SM6041602TP	36	23	SM8040402TP	56	18
SM4051655SP	36	40	SM6041802TP	6	8	SM8040412TP	10	31
SM4055001SF	76	7	SM6041802TP	54	5	SM8040412TP	54	36
SM4061255SP	58	18	SM6042002TP	52	4	SM8040502TP	60	3
SM5040550TP	32	48	SM6043002TN	76	15	SM8040612TP	32	52
SM5040550TP	34	48	SM6050650TP	52	8	SM8040612TP	34	52
SM5041055SN	6	28	SM6050802TP	12	90	SM8040612TP	40	7
SM5041055SN	18	69	SM6051002TN	32	50	SM8050412TP	12	80
SM5850460SP	26	2	SM6051002TN	34	50	SM8050412TP	36	16

NUMERICAL INDEX OF PARTS

PART NO	PAGE	REF NO.	PART NO	PAGE	REF NO.	PART NO	PAGE	REF NO.
SM8050412TP	56	11	TA1250406R0	74	54	WP0553216SD	20	42
SM8050512TP	12	57	TA1270502R0	4	56	WP0553216SD	32	18
SM8050512TP	32	47	TA1450404R0	6	32	WP0561616SC	36	27
SM8050512TP	34	47	TA1470704R0	2	4	WP0621016SD	36	54
SM8050602TP	64	16	TA1650406R0	6	36	WP0621016SD	38	54
SM8050612TP	12	85	TA2050406R0	2	11	WP0621016SH	12	59
SM8050612TP	18	65	TA2100904R0	6	33	WP0621016SH	16	60
SM8050612TP	52	2	TA2351305R0	6	34	WP0621016SH	18	60
SM8050612TP	58	23	WP0220300SC	70	60	WP0641601SD	18	59
SM80506A2TP	40	8	WP0250501SC	60	25	WP0641601SD	58	19
SM80506A2TP	44	52	WP0280500SC	42	53	WP0651001SC	94	21
SM80506A2TP	46	52	WP0320500SC	52	32	WP0651646SC	94	22
SM80506A2TP	48	4	WP0320500SD	64	4	WP0841601SC	72	3
SM80506A2TP	54	13	WP0320501SC	38	52	WP0852086SC	14	93
SM80508A2TP	44	2	WP0320501SD	64	28	WP0852086SC	82	53
SM8060602TP	16	51	WP0430800SC	20	50	WP1612616SE	88	16
SM8060602TP	18	51	WP0430800SC	22	50	WS0310002KR	60	26
SM8060612TP	10	78	WP0430800SC	52	5	WS0410002KN	94	18
SM8060612TP	12	78	WP0430800SC	80	4	WS0510002KN	88	18
SM8060612TP	16	25	WP0430800SD	4	51	WS0610002KN	18	58
SM8060612TP	44	11	WP0430800SD	40	63	WS0610002KN	94	23
SM80606A2TP	44	36	WP0430800SD	42	63	WS0820002KN	72	2
SM80606A2TP	48	45	WP0430800SD	44	38	WS0820002KR	82	54
SM80606A2TP	50	13	WP0430801SC	26	19	WS1643202KR	88	15
SM80606A2TP	56	7	WP0430801SC	38	49	WZ0320290UZ	32	46
SM8060812TP	36	33	WP0430801SC	60	17	WZ0541510KP	24	25
SM8060812TP	48	25	WP0430801SC	94	34	WZ0620290KP	6	50
SM8060812TP	52	19	WP0431005SP	70	65	WZ0620290KP	8	50
SM80608A2TP	44	46	WP0450801SD	24	43	WZ0620550KP	2	34
SM80608A2TP	64	51	WP0450801SP	6	16	WZ0880200KP	22	59
SM80608A2TP	66	51	WP0450801SP	10	43			
SM8061242TP	64	32	WP0450801SP	16	42			
SM8080812TP	48	28	WP0450801SP	62	26			
SM8430550TP	54	29	WP0450826SC	2	28			
SM8480652TP	46	53	WP0450846SP	40	19			
SM8480652TP	52	27	WP0480856SP	26	12			
SM9041050SC	4	50	WP0531000SD	16	16			
TA0370301R0	2	2	WP0531001SC	76	8			
TA0550604R0	56	13	WP0550800SP	6	48			
TA0550604R0	74	53	WP0550800SP	8	48			
TA0850604R0	2	55	WP0550800SP	10	75			
TA0850604R0	4	55	WP0550800SP	12	75			
TA0850604R0	8	53	WP0550800SP	36	41			
TA1050504R0	2	3	WP0550800SP	72	42			
TA1250406R0	2	13	WP0553216SD	12	67			