

MODEL : UT37  
List No : 1603-01

# PARTS LIST

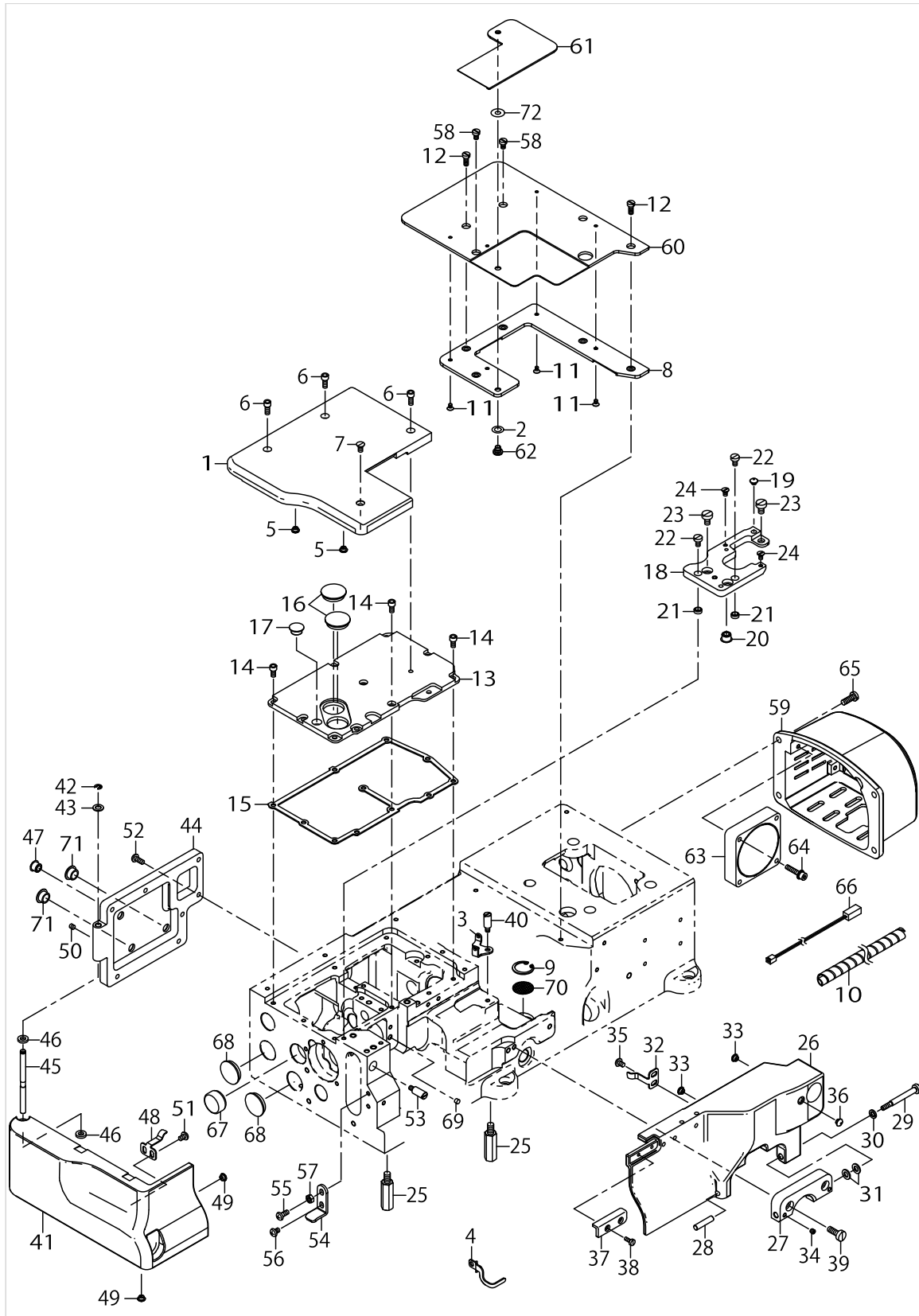
Published:05/12/2017

## CONTENTS

---

MISCELLANEOUS COVER COMPONENTS.....	1
MAIN SHAFT COMPONENTS .....	5
THREAD TENSION COMPONENTS .....	7
LOOPER THREAD TRIMMER COMPONENTS .....	9
PNEUMATIC DRIVE & PRESSER FEED LIFTER COMPONENTS .....	11
TOP COVER THREAD TRIMMER COMPONENTS (UT37,UT37A).....	15
ACCESSORIE PARTS COMPONENTS .....	17
HOW TO MAKE USE OF THIS PARTS LIST .....	19

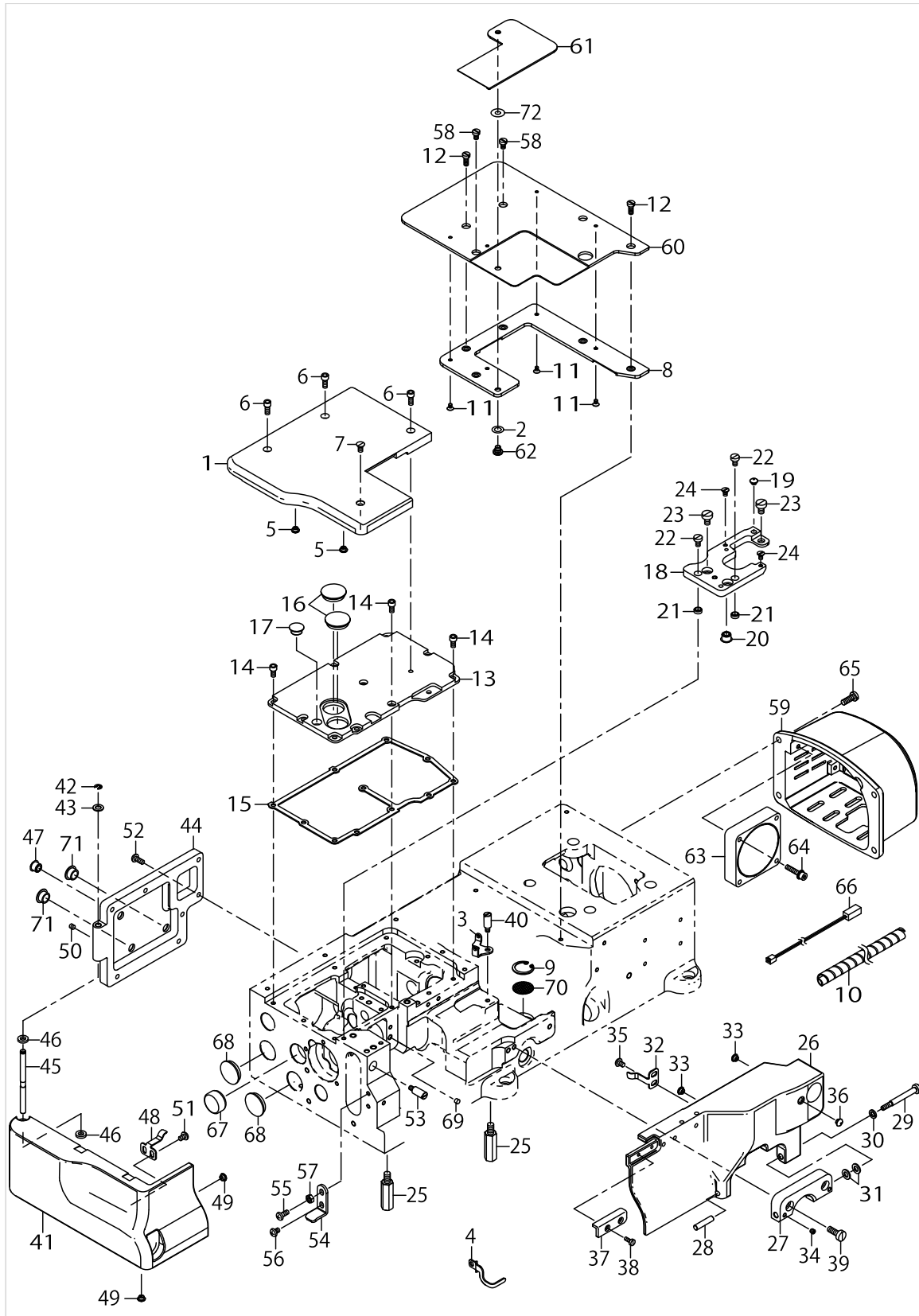
MISCELLANEOUS COVER COMPONENTS



MISCELLANEOUS COVER COMPONENTS

No.	Supply Code	Parts No.	Replacement	Parts name	Remarks	Choice	Step	Level	Cons	Qty	Rep. QTY
1		70001420		CLOTH_PLATE_LEFT						1	
2		WZ0641510KP		WAVED WASHER 6.4X11X0.3						1	
3		70001823		THREAD_GUIDE_UT						1	
4		70001484		FINGER_GUARD						1	
5		13302302		RUBBER BUMPER						2	
6		SM6041002TP		SCREW M4X0.7 L=10						3	
7		SM1040800SP		SCREW						1	
8		70001825		CLOTH_PLATE_RIGHT_BOTTOM						1	
9		RC1900002KP		C-RING						1	
10		HX00314000D		SPIRAL TUBE						.7	
11		SM1030501SN		SCREW						4	
12		SM6041000SP		SCREW M4 L=10						2	
13		70001415		BED_TOP_COVER						1	
14		SM6040800SP		SCREW						11	
15		70001423		GASKET_B						1	
16		TA2050416R0		RUBBER PLUG						2	
17		TA1050504R0		RUBBER PLUG						1	
18		70001424		THROAT_PLATE_SUPPORT						1	
19		13302302		RUBBER BUMPER						1	
20		TA0850604R0		RUBBER PLUG						1	
21		40082196		ADJUSTING_COLLAR						2	
22		SM6040750TP		SCREW M4 L=7						2	
23		SM6050800SP		SCREW M5 L=8						3	
24		13302203		SCREW						2	
25		13301809		SUPPORT STUD						4	
26		70001426		SWING_DOWN_COVER						1	
27	R	70001431	70004972	HINGE						1	1.00
28		13409800		DIFF_LINK_PIN						1	
29		70001414		SCREW						1	
30		WS0510002KP		SPRING WASHER 5.1X9.2X1.3						1	
31		WP0531000SC		WASHER 5.3X10X1						2	
32		13304308		LATCH SPRING						1	
33		13302302		RUBBER BUMPER						2	
34		SM8040412TP		SET SCREW M4 L=4						2	
35		SM4040655SP		SCREW M4 L=6						2	
36		13302302		RUBBER BUMPER						1	
37		40099371		BRACKET						1	
38		SM6030800SP		SCREW M3X0.5 L=8						2	
39		SM6051400SP		SCREW						2	
40		13302104		PIN						1	
41		70001418		SIDE_COVER						1	
42		RE0300000K0		E-RING 3						1	
43		WP0550800SP		WASHER 5.5X10X0.8						1	
44		70001659		FEED_CHAMBER_COVER						1	
45		13305107		PIN_FOR_SIDE_COVER						1	
46		13302708		RUBBER_WASHER						2	

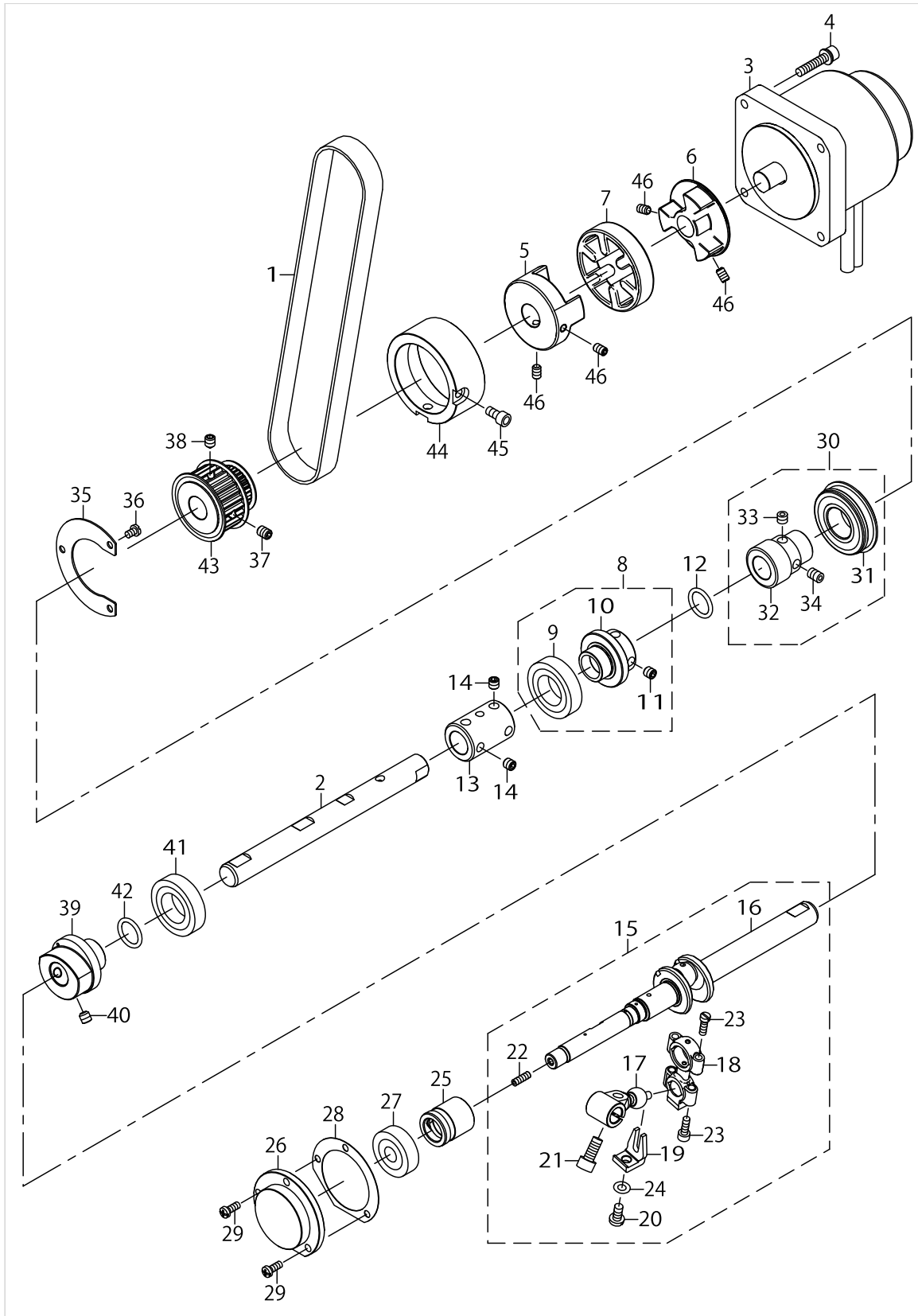
# MISCELLANEOUS COVER COMPONENTS



MISCELLANEOUS COVER COMPONENTS

No.	Supply Code	Parts No.	Replacement	Parts name	Remarks	Choice	Step	Level	Cons	Qty	Rep. QTY
47		TA0850604R0		RUBBER PLUG						1	
48		13304308		LATCH SPRING						1	
49		13302302		RUBBER BUMPER						2	
50		SM8040412TP		SET SCREW M4 L=4						1	
51		SM4040555SP		SCREW						2	
52		SM4041055SP		SCREW						7	
53		13302104		PIN						1	
54		13304209		SUPPORT BRACKET						1	
55		SM4041055SP		SCREW						1	
56		SM4040655SP		SCREW M4 L=6						1	
57		NM6040000SN		NUT M4						1	
58		SM6040600SP		SCREW M4 L=6						3	
59		70001413		MOTOR_COVER						1	
60		70001818		CLOTH_PLATE_RIGHT_UPPER						1	
61		70001826		SLIDE_COVER						1	
62		SD0640216TP		SHOULDER SCREW						1	
63		40119461		HEAD FAN MOTOR A ASSY						1	
64		SL6042092TN		SCREW M4 L=20						2	
65		SM4051455SP		SCREW M5 L=14						4	
66		70001457		FAN_CORD_ASSY						1	
67		TA2101002R0		RUBBER PLUG						1	
68		TA2050416R0		RUBBER PLUG						2	
69		TA0400301M0		PLUG D=4X4.5 L=3						1	
70		13426903		MESH PLATE						1	
71		TA1050504R0		RUBBER PLUG						2	
72		70001428		WASHER						1	

# MAIN SHAFT COMPONENTS

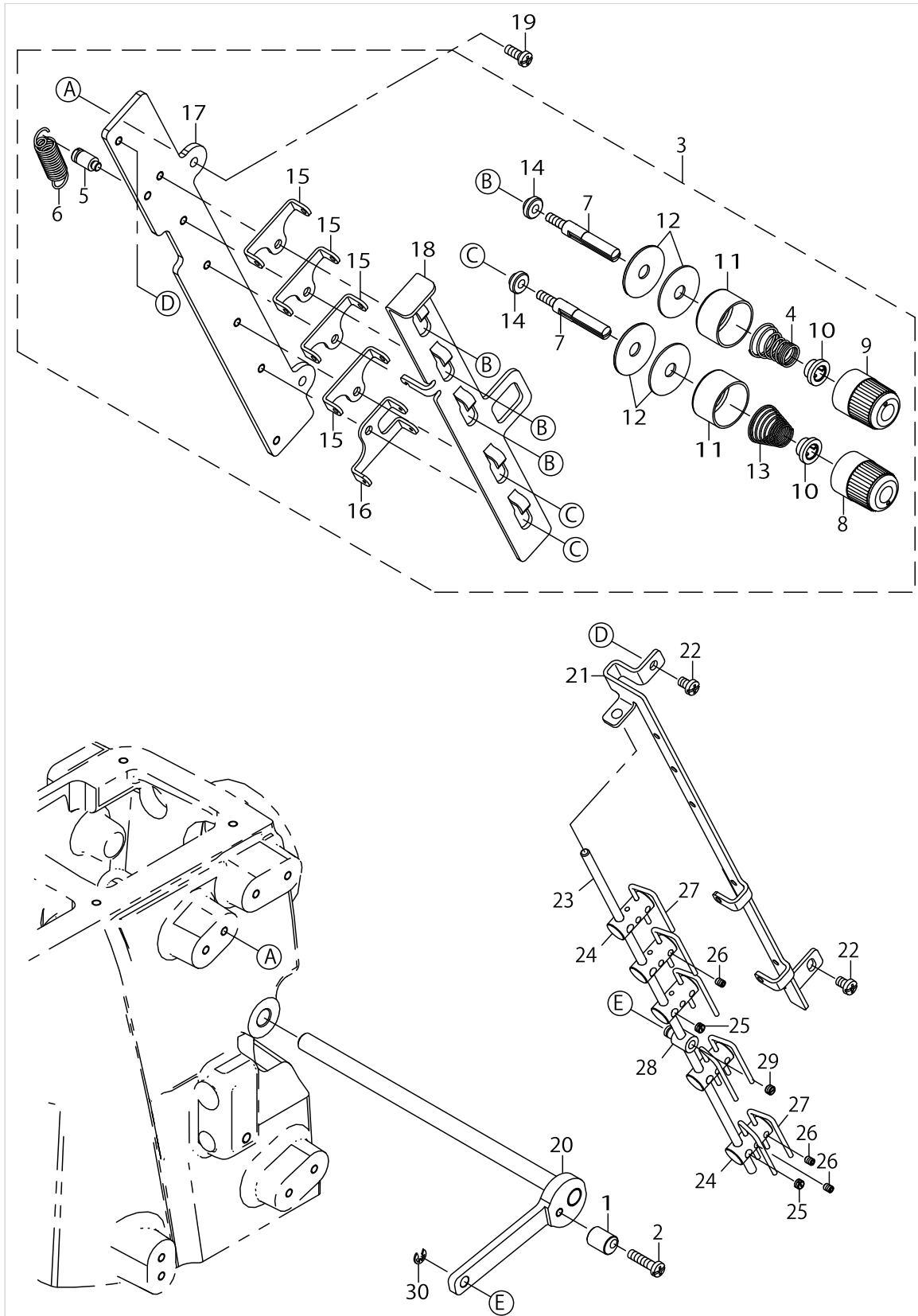


MAIN SHAFT COMPONENTS

No.	Supply Code	Parts No.	Replacement	Parts name	Remarks	Choice	Step	Level	Cons	Qty	Rep. QTY
1		13308804		TIMING_BELT						1	
2		70001455		LOWER_MAINSHAFT_RIGHT_DD						1	
3		40118009		SERVO MOTOR						1	
4		SL6052592TN		BOLT						4	
5		40112105		HUB_L						1	
6		40112106		HUB_R						1	
7		40112107		SPIDER						1	
8		13308457		BEARING_ASSY_C						1	
9		SB120001500		BEARING				*		1	
10	D	40018922		COUPLING_C				*		1	
11		SM8060612TP		SCREW M6 L=6				*		2	
12		RO148240200		RUBBER RING						1	
13		13307509		JOINT						1	
14		SM8060612TP		SCREW M6 L=6						4	
15		70001446		LMS_LEFT_ASSY						1	
16		70001434		LOWER_MAINSHAFT_LEFT				*		1	
17		70001600		LOOPER_DRIVE				*		1	
18		70001599		LOOPER_ROD_DRIVE				*		1	
19	R	13337100	13308150	GUIDE LOOPER ROD				*		1	1.00
20		SM4051055SP		SCREW				*		1	
21		SM6061402TP		SCREW M6 L=14				*		1	
22		SM8040412TP		SET SCREW M4 L=4				*		1	
23		13324108		SCREW				*		4	
24		WS0510002KP		SPRING WASHER 5.1X9.2X1.3				*		1	
25		70001447		BUSHING_LMS_MIDDLE						1	
26		70001448		BUSHING_LMS_LEFT						1	
27		SB110002300		BEARING						1	
28		13308705		GASKET FOR BUSHING LEFT						1	
29		SM4041055SP		SCREW						3	
30		70003278		LMS_WORM_ASSY						1	
31	R	70001458	70003278	BEARING				*		1	1.00
32		13308507		COUPLING D				*		1	
33		SM8060842TP		SCREW M6 L=8				*		1	
34		SM8060552TP		SCREW M6 L=5				*		1	
35		70001451		THRUST_PLATE						1	
36		SM4040655SP		SCREW M4 L=6						3	
37		SM8060812TP		SCREW M6 L=8						1	
38		SM8060842TP		SCREW M6 L=8						1	
39		70001453		BEARING HOLDER						1	
40		SM8060612TP		SCREW M6 L=6						2	
41		SB120001500		BEARING						1	
42		RO148240200		RUBBER RING						1	
43		70004184		LMS_SPROCKET						1	
44		70003317		FLY_WHEEL_FOR_DD						1	
45		SM6051002TP		SCREW M5X0.8 L=10						2	
46		SM8050412TP		SCREW M5 L=4						4	



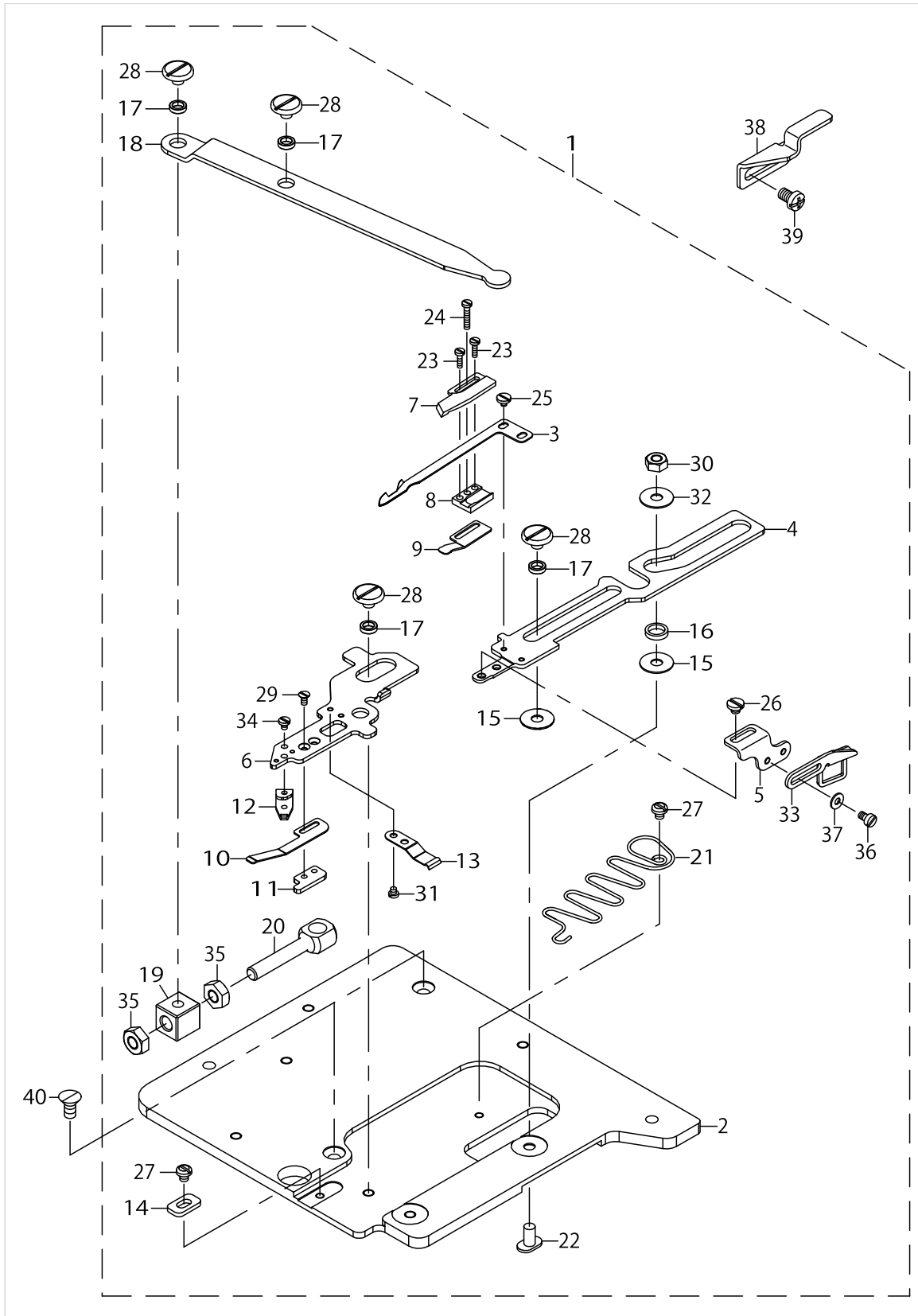
# THREAD TENSION COMPONENTS



THREAD TENSION COMPONENTS

No.	Supply Code	Parts No.	Replacement	Parts name	Remarks	Choice	Step	Level	Cons	Qty	Rep. QTY
1		40065785		TENS_RELEASE_ADJ_ECC						1	
2		SM4041655SP		SCREW M4 L=16						1	
3		70001612		THREAD_TENSION_ASSY						1	
4		13140504						*		3	
5		13340302		SHOULDER SCREW				*		1	
6	D	26019000						*		1	
7		70001620		TENSION_POST				*		5	
8		40042363		KNOB				*		2	
9		40042364		KNOB GREEN				*		3	
10		40042365		SPRING BUSHING				*		5	
11		40042366		THREAD TENSION DISK PRESSER				*		5	
12		40101602		THREAD_TENSION_DISC				*		10	
13		40102003		SPRING				*		2	
14		70001617		SPACER				*		5	
15		70001615		TENSION_DISC_EYELET_A				*		4	
16		70001616		TENSION_DISC_EYELET_B				*		1	
17		70001613		TENSION_POST_SUPPORT				*		1	
18		70001614		TENSION_DISC_SEPARATOR				*		1	
19		SM4041055SP		SCREW						2	
20		70001618		PULL_OFF_LEVER_ASSY						1	
21		70001621		THREAD_GUIDE						1	
22		SM4040655SP		SCREW M4 L=6						2	
23		13456108		PULL_OFF_BAR						1	
24		13456207		THD_P_O_HOOK_GUIDE						5	
25		SM8040360TP		SCREW						5	
26		SM8030412TP		SCREW						7	
27		13456603		THD_PULL_OFF_HOOK						7	
28		13456405		THD_PULL_OFF_BAR_HOLDER						1	
29		SM8040360TP		SCREW						1	
30		RE030000K0		E-RING 3						1	

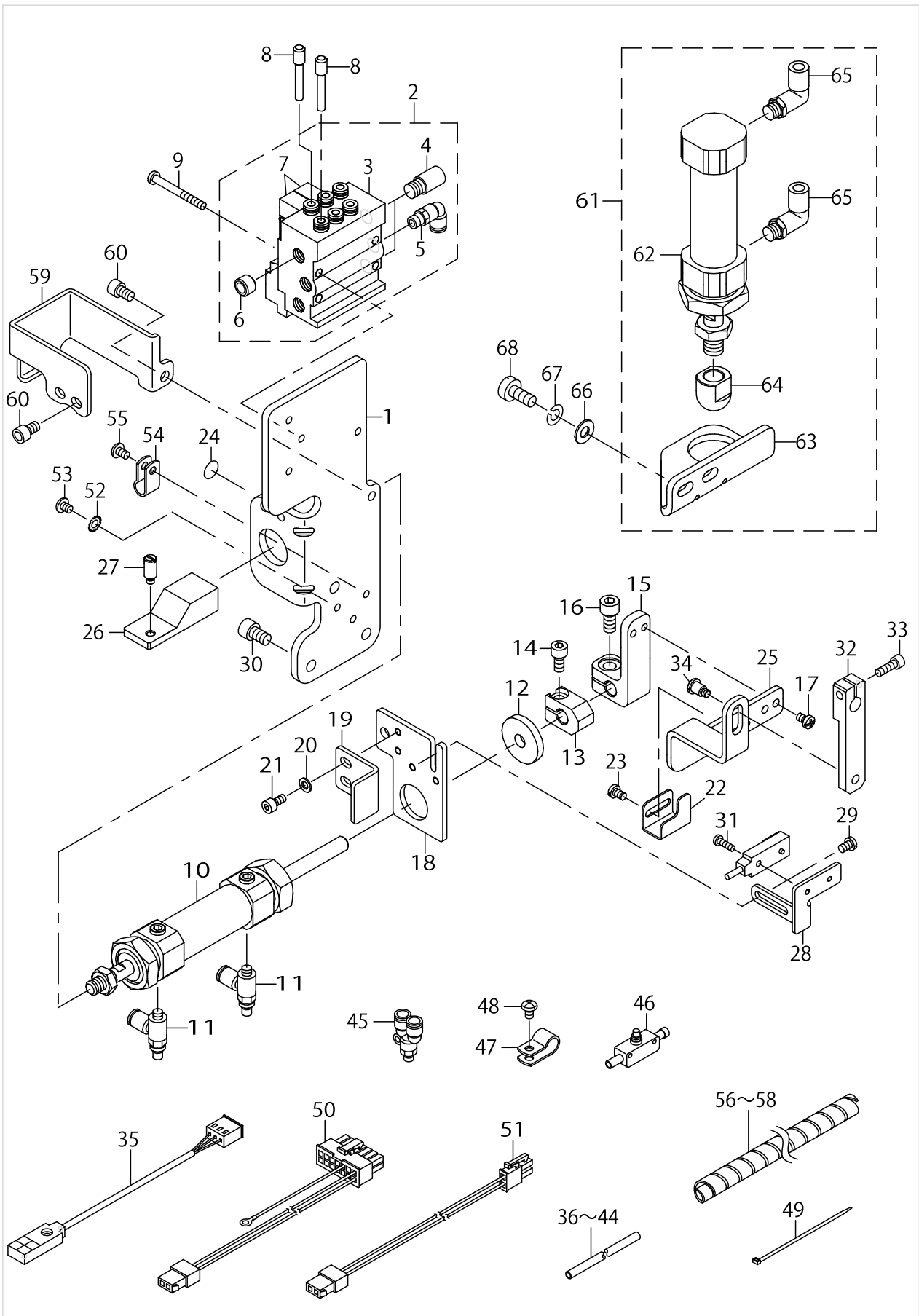
# LOOPER THREAD TRIMMER COMPONENTS



LOOPER THREAD TRIMMER COMPONENTS

No.	Supply Code	Parts No.	Replacement	Parts name	Remarks	Choice	Step	Level	Cons	Qty	Rep. QTY
1		70001815		UNDER_TRIMMER_ASSY						1	
2		70001817		CLOTH_PLATE_RIGHT_UT				*		1	
3		40086274		LOWER_KNIFE				*		1	
4		70001821		LOWER_KNIFE HOLDER				*		1	
5		70001824		TAKE_UP_UT_BRACKET				*		1	
6		70001820		KNIFE_GUIDE HOLDER				*		1	
7		40086277		UPPER_KNIFE				*		1	
8		40086278		LOWER_KNIFE_GUIDE				*		1	
9		40086279		KNIFE_SPRING				*		1	
10		40086280		THREAD_CLAMP				*		1	
11		40086282		PLATE				*		1	
12		40086308		TENSION_LEVER				*		1	
13		13441902		LEAF_SPRING-2				*		1	
14		40086290		STOPPER				*		1	
15		WP0420516KH		THRUST WASHER 4.2				*		2	
16		40086292		COLLAR_D8				*		1	
17		40086293		COLLAR_D6				*		4	
18		70001816		LEVER				*		1	
19		40086295		CONNECTING_BLOCK_A				*		1	
20		40086296		CONNECTING_BLOCK_B				*		1	
21		13440409		SPRING_FOR_UT				*		1	
22		40070110		SCREW				*		1	
23		40086298		SCREW_M1.6L6				*		2	
24		40086299		SCREW_M2L10				*		1	
25		40086300		SCREW_M2L2.3				*		2	
26		SM6030350SN		SCREW M3 L=2.5				*		2	
27		40086302		SCREW_M3L3				*		2	
28		40086303		SCREW_M4X0.5L4				*		4	
29		SM1020450TP		SCREW M2 L=4				*		2	
30		NM6040001SP		NUT M4X0.7				*		1	
31		SM6020250TP		SCREW.				*		2	
32		WP0431005SP		PLAIN WASHER 4.3X12X1				*		1	
33		70001822		THREAD_TAKE_UP_UT				*		1	
34		SM6020350SP		SCREW M2 L=2.5				*		1	
35		NM6050001SP		NUT M5				*		2	
36		SM6850400SP		SCREW M2.5 L=4				*		2	
37		WP0250516SD		WASHER 2.5X6X0.5				*		2	
38		70001827		UT_GUIDE						1	
39		SM4040655SP		SCREW M4 L=6						2	
40		SM1040800SP		SCREW						2	

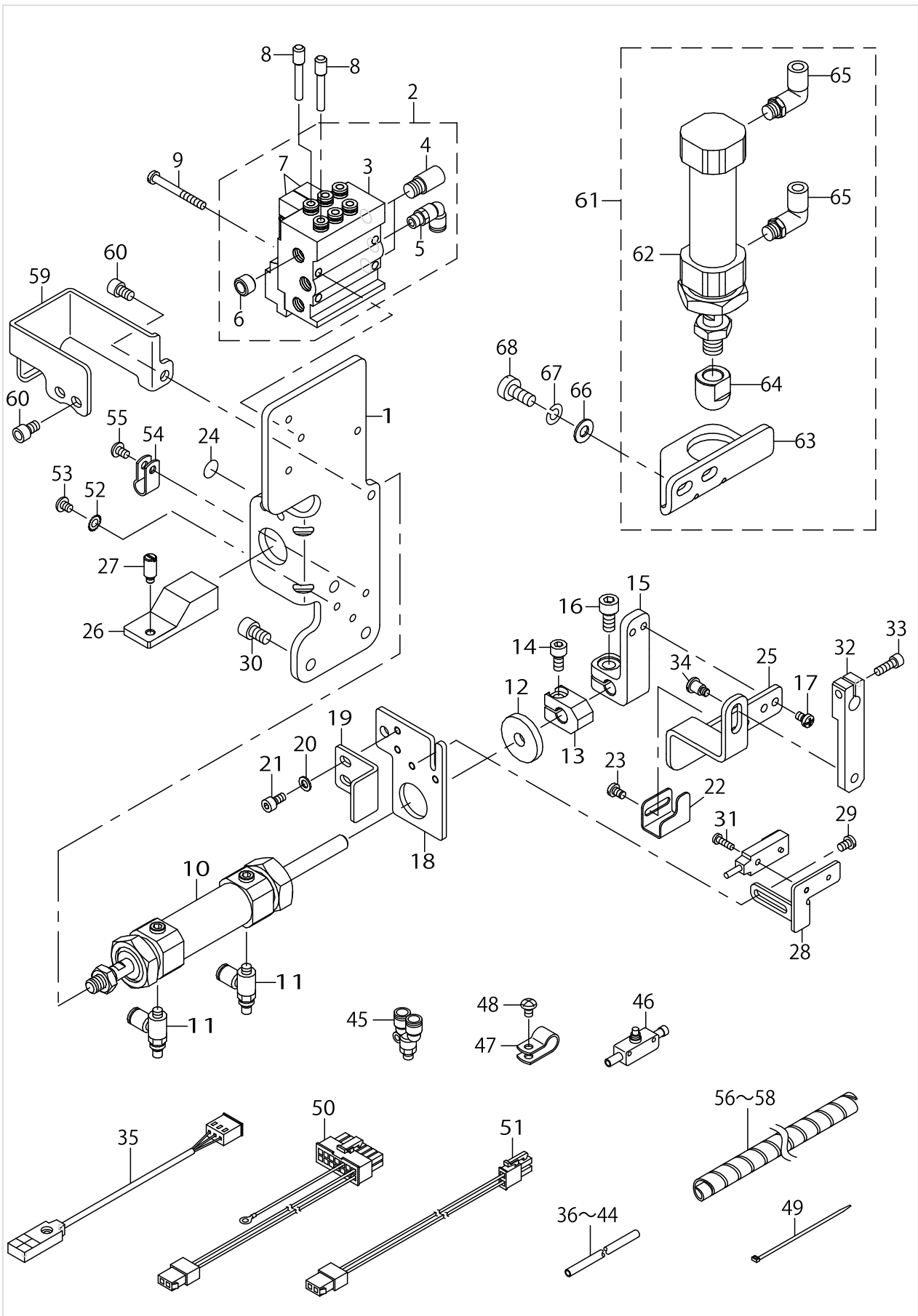
PNEUMATIC DRIVE & PRESSER FEED LIFTER COMPONENTS



PNEUMATIC DRIVE & PRESSER FEED LIFTER COMPONENTS

No.	Supply Code	Parts No.	Replacement	Parts name	Remarks	Choice	Step	Level	Cons	Qty	Rep. QTY
1		13442504		AIR_CYLINDER_BRACKET						1	
2		40072396		MANIFOLD_VALVE_ASSY						1	
3		PV035161000		MANIFOLD				*		1	
4		PX055104000		SILENCER (PT1/8)				*		2	
5		PJ304065101		ELBOW UNION 6XPT1/8				*		1	
6		PJ025100002		PLUG R1/8				*		3	
7		PJ025100002		PLUG R1/8				*		2	
8		PX500014000		PLUG						2	
9		SM4043555SP		SCREW						2	
10		PA2001802A0		AIR CYLINDER						1	
11		PC010508000		SPEED CONTROLLER						2	
12		13443601		WASHER						1	
13		13442900		COLLAR						1	
14		SM6051002TP		SCREW M5X0.8 L=10						1	
15		13443007		PLATE HOLDER						1	
16		SM6061202TP		SCREW M6 L=12						1	
17		SM4040655SP		SCREW M4 L=6						2	
18		70001776		SENSOR HOLDER						1	
19		70001778		SUPPORT_PLATE_UT						1	
20		WP0430800SC		WASHER M4						2	
21		SM6040802TP		SCREW M4X0.7 L=8						2	
22		13443205		SWITCH_PLATE						1	
23		SM4040655SP		SCREW M4 L=6						2	
24		22901805		GROUND MARK						1	
25		40019322		TENS_RELEASE_PLATE_UT						1	
26	D	13442603		PLUNGER						1	
27		13442702		PIN						1	
28		70001777		SENSOR HOLDER						1	
29		SM4040655SP		SCREW M4 L=6						2	
30		SM6061002TP		SCREW M6 L=10						3	
31		SM4031001SN		SCREW						1	
32		70001479		TENSION_RELEASE_LEVER						1	
33		SM6041202TP		SCREW M4X0.7 L=12						1	
34		SD0700706TP		SHOULDER SCREW						1	
35		40021746		UNDER_TRIMMER_S- SENSOR_CABLE_ASM						1	
36		BT0400251EB		URETHANE TUBE BLACK 4X2.5						.27	
37		BT0400251EB		URETHANE TUBE BLACK 4X2.5						.32	
38		BT0400251EB		URETHANE TUBE BLACK 4X2.5						.08	
39		BT0400251EB		URETHANE TUBE BLACK 4X2.5						.08	
40		BT0400251EB		URETHANE TUBE BLACK 4X2.5						.42	
41		BT0400251EB		URETHANE TUBE BLACK 4X2.5						.23	
42		BT0400251EB		URETHANE TUBE BLACK 4X2.5						.63	
43		BT0400251EB		URETHANE TUBE BLACK 4X2.5						.3	
44		BT0400251EB		URETHANE TUBE BLACK 4X2.5						.22	
45		PJ308040006		UNION						2	
46		PC012401000		SPEED CONTROLLER						1	

PNEUMATIC DRIVE & PRESSER FEED LIFTER COMPONENTS

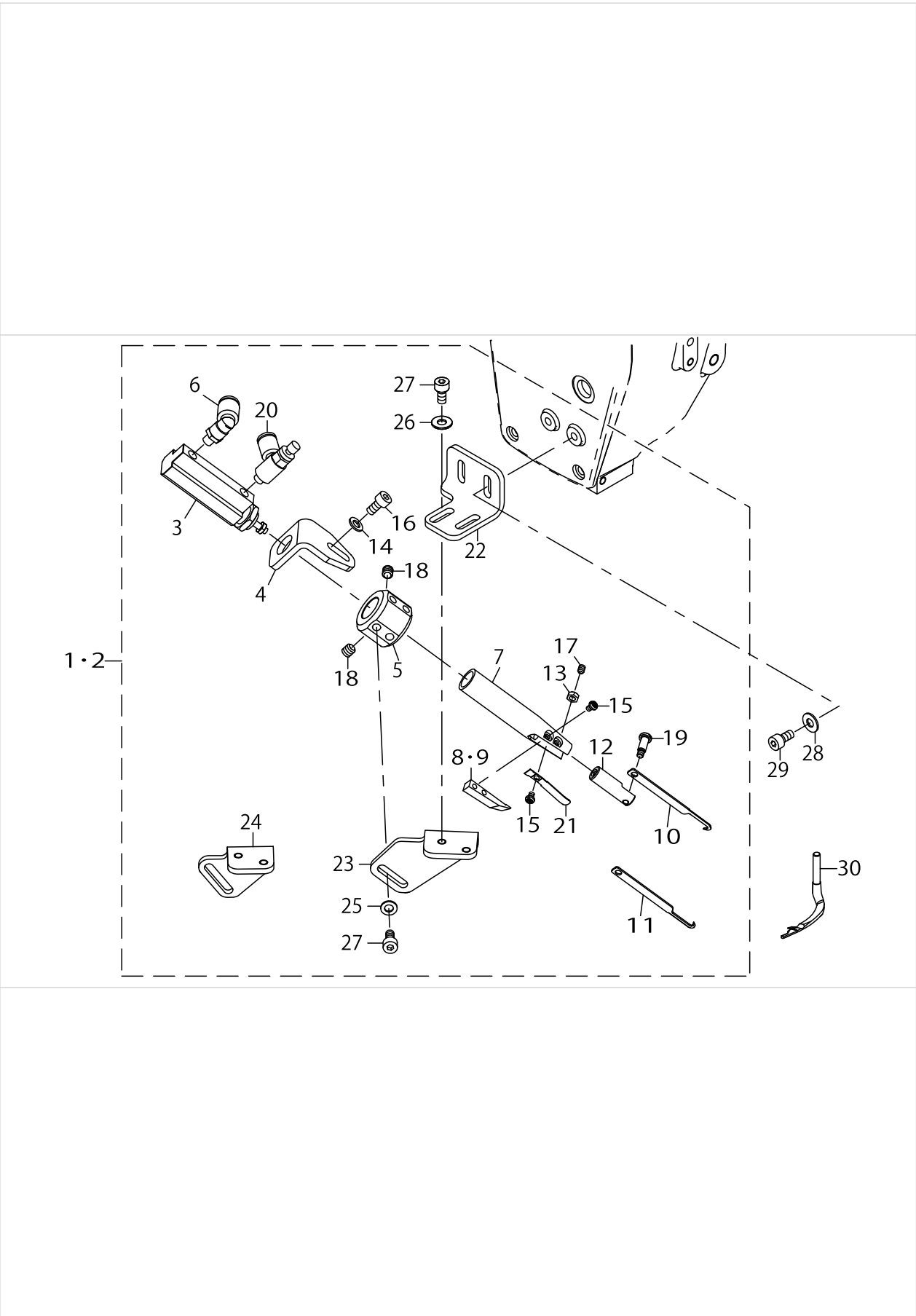


PNEUMATIC DRIVE & PRESSER FEED LIFTER COMPONENTS

No.	Supply Code	Parts No.	Replacement	Parts name	Remarks	Choice	Step	Level	Cons	Qty	Rep. QTY
47		HX0015000C		CABLE CLAMP						2	
48		SM4040655SP		SCREW M4 L=6						2	
49		EA9500B0100		CABLE BAND						3	
50		40027211		UNDER_TRIMMER_CABLE_B_ASM						1	
51		40027213		LIFT_UP_CABLE_B_ASM						1	
52		WT0430002KN		WASHER M4						1	
53		SM4040501SN		SCREW M4X0.7 L=5						1	
54		HX0015000B		CABLE CLAMP						1	
55		SM4040655SP		SCREW M4 L=6						1	
56		HX003140000		SPIRAL TABE						.96	
57		HX00314000D		SPIRAL TUBE						.12	
58		HX00314000D		SPIRAL TUBE						.1	
59		40069703		SOLENOIDE_COVER						1	
60		SM6050802TP		SCREW M5X0.8 L=8						3	
61		40018079		PNEUMATIC_P_F_LIFTER_ASSY						1	
62		PA2503004A0		AIR CYLINDER				*		1	
63		13455001		AIR_CYLINDER_BRACKET				*		1	
64		13455100		AIR_CYLINDER_CAP				*		1	
65		PJ304045102		ELBOW UNION, C				*		2	
66		WP0621016SD		WASHER 6.2X13X1						2	
67		WS0610002KP		SPRING WASHER						2	
68		SM6061400SP		SCREW M6 L=14						2	



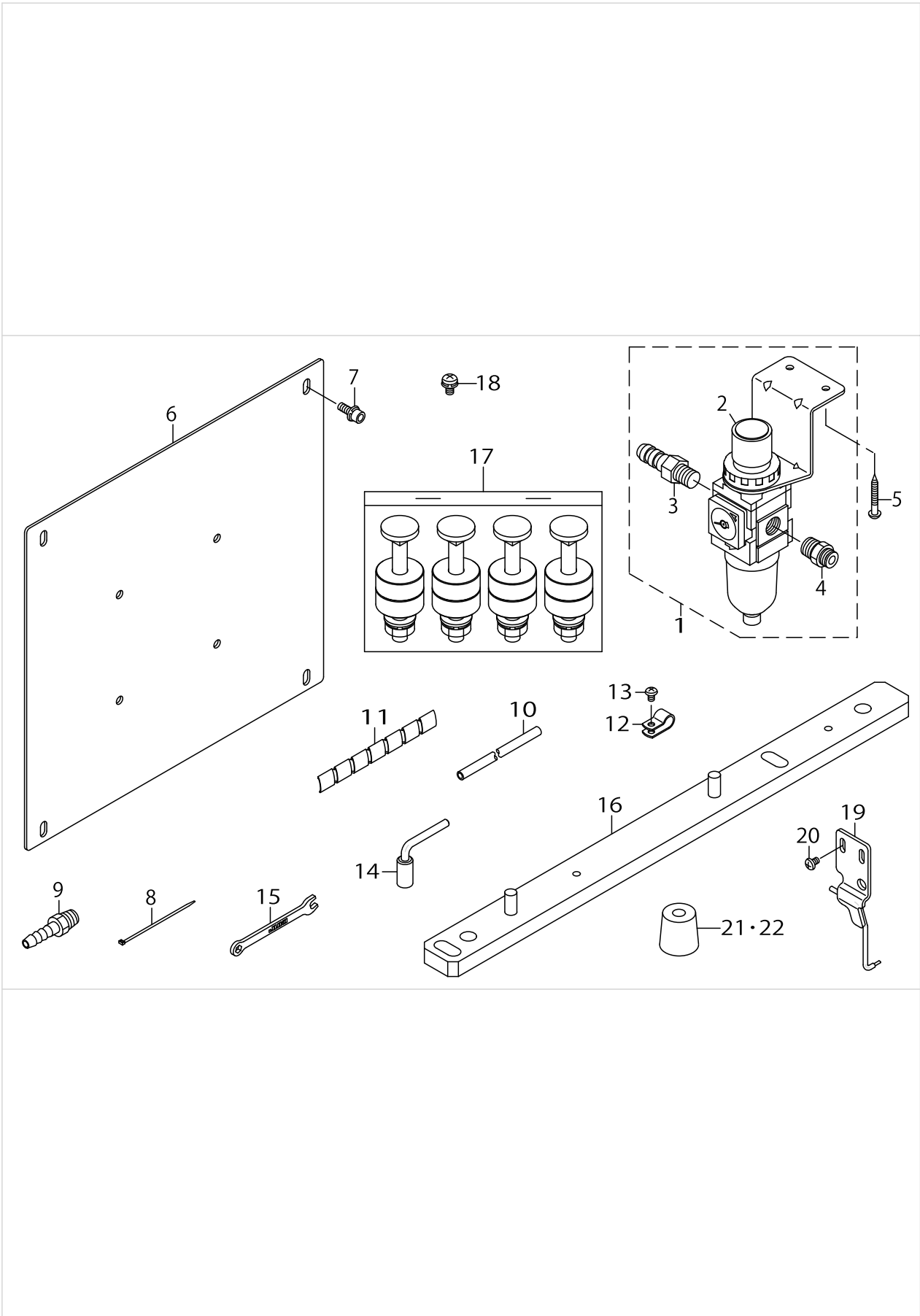
TOP COVER THREAD TRIMMER COMPONENTS (UT37,UT37A)



TOP COVER THREAD TRIMMER COMPONENTS (UT37,UT37A)

No.	Supply Code	Parts No.	Replacement	Parts name	Remarks	Choice	Step	Level	Cons	Qty	Rep. QTY
1		70001788		U_L_THREAD_TRIMMER_ASSY						1	
2		70002246		U_L_THREAD_TRIMMER_ASSY(TURKEY)	FOR TURKEY (UT37A)					1	
3		PA0602006A0		AIR_CYLINDER				*		1	
4		13459300		AIR_CYLINDER_BRACKET				*		1	
5		13458203		COLLAR				*		1	
6		PJ304040504		UNION				*		1	
7		70001781		KNIFE HOLDER				*		1	
8	R	13458500	40058211	LOWER_KNIFE		A		*		1	1.00
8	R	13458500	40029004	LOWER_KNIFE		A		*		1	1.00
9		40029004		FIXED_KNIFE	FOR TURKEY (UT37A)			*		1	
10		40065510		MOVING_KNIFE				*		1	
11		70001791		MOVING_KNIFE	FOR TURKEY (UT37A)			*		1	
12		70001780		MOVING_KNIFE HOLDER				*		1	
13		NM6030250SC		NUT M3X0.5				*		1	
14		WP0430800SC		WASHER M4				*		2	
15		SM4850455SP		SCREW				*		3	
16		SM6040802TN		SCREW				*		2	
17		SM8030450SP		SCREW M3 L=4				*		1	
18		SM8050512TP		SCREW				*		2	
19		70001782		SHOULDER_SCREW				*		1	
20		PC010508000		SPEED_CONTROLLER				*		1	
21		13458401		SPRING				*		1	
22		70001783		BRACKET_2				*		1	
23		70001784		BRACKET				*		1	
24		70001790		BRACKET_FOR_TURKEY	FOR TURKEY (UT37A)			*		1	
25		WP0430800SC		WASHER M4				*		2	
26		WP0450826SC		WASHER 4.5X10X0.8				*		2	
27		SM6040802TN		SCREW				*		4	
28		WP0450826SC		WASHER 4.5X10X0.8				*		2	
29		SM6040802TN		SCREW				*		2	
30	R	70001563	70004224	UPPER_LOOPER	FOR TURKEY (UT37A)					1	1.00

ACCESSORIE PARTS COMPONENTS



ACCESSORIE PARTS COMPONENTS

No.	Supply Code	Parts No.	Replacement	Parts name	Remarks	Choice	Step	Level	Cons	Qty	Rep. QTY
1		40018052		FILTER_REGULATOR_ASSY						1	
2		PF0552070C0		FILTER GEGULATOR				*		1	
3		F1021003000		HOSE JOINT				*		1	
4		PJ301065201		HALF UNION 6XPT1/4				*		1	
5		SK3452001SE		WOOD SCREW D=4.5 L=20						2	
6		40094198		SC_BRACKET						1	
7		SL6051492TN		BOLT						4	
8		EA9500B0100		CABLE BAND						3	
9		PJ032526001		HOSE NIPPLE						1	
10		BT0600401EB		URETHANE TUBE BLACK 6X4						2	
11		HX00314000A		SPIRAL TUBE						.6	
12		HX00150000C		CABLE CLAMP						1	
13		SM4040655SP		SCREW M4 L=6						1	
14		40073360		WRENCH						1	
15		13160106		SPANNER (5X6)						1	
16		70001843		SUPPORT_PLATE_ASSY						2	
17		13348966		ASSY_BOLT_SET						1	
18		SL4051091SC		SCREW M5X0.8 L=10						4	
19		70001785		AIR_BLOW_WIPER_ASSY						1	
20		SM4040655SP		SCREW M4 L=6						2	
21		40072505		ISOLATOR						2	
22		13155403		ISOLATOR						2	

## HOW TO MAKE USE OF THIS PARTS LIST

- 1.As to "#01" and "#02" refer to the "Note" given at the bottom of the respective pages.
- 2.Codes on the "Qty" column
  - Each numeral indicates the number of parts required.
  - "0.1" and "2.5" indicate the length (in meters) of the respective parts.
- 3.Parentheses mean that the corresponding part is a subpart that constructs an assembly part.
- 4.Dotted lines on the Figures indicate assembly parts.

1. リストページの# 0 1、# 0 2の印は、ページ下の"注記"の説明を参照下さい。
2. 数量欄の数字は、個数を表し、0. 1、2. 5等の数値は、長さ（単位メートル）を表します。
3. 数量欄の（ ）は、組部品を構成している子部品であることを意味します。
4. イラストページの-----枠は、組構成であることを意味します。

ALL PARTS NOT MENTIONED IN THIS PARTS LIST ARE SAME AS THOSE OF  
MODEL MF-7500. OTHER PARTS LIST RELATED TO THIS MODEL.  
\*MF-7500 (NO.1596 PART NO.70002001)

このパーツリスト記載以外の部品はMF-7500と共通です。  
この機種に関連するパーツリストとして下記のパーツリストがあります。  
\* MF-7500 (NO.1596 品番70002001)

# NUMERICAL INDEX OF PARTS

PART NO	PAGE	REF NO.	PART NO	PAGE	REF NO.	PART NO	PAGE	REF NO.
13140504	8	4	26019000	8	6	40118009	6	3
13155403	18	21·22	40018052	18	1	40119461	4	63
13160106	18	15	40018079	14	61	70001413	4	59
13301809	2	25	40018922	6	10	70001414	2	29
13302104	2	53	40019322	12	25	70001415	2	13
13302104	4	53	40021746	12	35	70001418	2	41
13302203	2	24	40027211	14	50	70001420	2	1
13302302	2	49	40027213	14	51	70001423	2	15
13302302	4	49	40029004	16	8·9	70001424	2	18
13302708	2	46	40042363	8	8	70001426	2	26
13304209	4	54	40042364	8	9	70001428	4	72
13304308	2	48	40042365	8	10	70001431	2	27
13304308	4	48	40042366	8	11	70001434	6	16
13305107	2	45	40065510	16	10	70001446	6	15
13307509	6	13	40065785	8	1	70001447	6	25
13308457	6	8	40069703	14	59	70001448	6	26
13308507	6	32	40070110	10	22	70001451	6	35
13308705	6	28	40072396	12	2	70001453	6	39
13308804	6	1	40072505	18	21·22	70001455	6	2
13324108	6	23	40073360	18	14	70001457	4	66
13337100	6	19	40082196	2	21	70001458	6	31
13340302	8	5	40086274	10	3	70001479	12	32
13348966	18	17	40086277	10	7	70001484	2	4
13409800	2	28	40086278	10	8	70001563	16	30
13426903	4	70	40086279	10	9	70001599	6	18
13440409	10	21	40086280	10	10	70001600	6	17
13441902	10	13	40086282	10	11	70001612	8	3
13442504	12	1	40086290	10	14	70001613	8	17
13442603	12	26	40086292	10	16	70001614	8	18
13442702	12	27	40086293	10	17	70001615	8	15
13442900	12	13	40086295	10	19	70001616	8	16
13443007	12	15	40086296	10	20	70001617	8	14
13443205	12	22	40086298	10	23	70001618	8	20
13443601	12	12	40086299	10	24	70001620	8	7
13455001	14	63	40086300	10	25	70001621	8	21
13455100	14	64	40086302	10	27	70001659	2	44
13456108	8	23	40086303	10	28	70001776	12	18
13456207	8	24	40086308	10	12	70001777	12	28
13456405	8	28	40094198	18	6	70001778	12	19
13456603	8	27	40099371	2	37	70001780	16	12
13458203	16	5	40101602	8	12	70001781	16	7
13458401	16	21	40102003	8	13	70001782	16	19
13458500	16	8·9	40112105	6	5	70001783	16	22
13459300	16	4	40112106	6	6	70001784	16	23
22901805	12	24	40112107	6	7	70001785	18	19

# NUMERICAL INDEX OF PARTS

PART NO	PAGE	REF NO.	PART NO	PAGE	REF NO.	PART NO	PAGE	REF NO.
70001788	16	1·2	PJ301065201	18	4	SM6020350SP	10	34
70001790	16	24	PJ304040504	16	6	SM6030350SN	10	26
70001791	16	11	PJ304045102	14	65	SM6030800SP	2	38
70001815	10	1	PJ304065101	12	5	SM6040600SP	4	58
70001816	10	18	PJ308040006	12	45	SM6040750TP	2	22
70001817	10	2	PV035161000	12	3	SM6040800SP	2	14
70001818	4	60	PX055104000	12	4	SM6040802TN	16	29
70001820	10	6	PX500014000	12	8	SM6040802TP	12	21
70001821	10	4	RC1900002KP	2	9	SM6041000SP	2	12
70001822	10	33	RE0300000K0	2	42	SM6041002TP	2	6
70001823	2	3	RE0300000K0	8	30	SM6041202TP	12	33
70001824	10	5	RO148240200	6	42	SM6050800SP	2	23
70001825	2	8	SB110002300	6	27	SM6050802TP	14	60
70001826	4	61	SB120001500	6	41	SM6051002TP	6	45
70001827	10	38	SD0640216TP	4	62	SM6051002TP	12	14
70001843	18	16	SD0700706TP	12	34	SM6051400SP	2	39
70002246	16	1·2	SK3452001SE	18	5	SM6061002TP	12	30
70003278	6	30	SL4051091SC	18	18	SM6061202TP	12	16
70003317	6	44	SL6042092TN	4	64	SM6061400SP	14	68
70004184	6	43	SL6051492TN	18	7	SM6061402TP	6	21
BT0400251EB	12	36~44	SL6052592TN	6	4	SM6850400SP	10	36
BT0600401EB	18	10	SM1020450TP	10	29	SM8030412TP	8	26
EA9500B0100	14	49	SM1030501SN	2	11	SM8030450SP	16	17
EA9500B0100	18	8	SM1040800SP	2	7	SM8040360TP	8	29
F1021003000	18	3	SM1040800SP	10	40	SM8040412TP	2	50
HX00150000B	14	54	SM4031001SN	12	31	SM8040412TP	4	50
HX00150000C	14	47	SM4040501SN	14	53	SM8040412TP	6	22
HX00150000C	18	12	SM4040555SP	4	51	SM8050412TP	6	46
HX003140000	14	56~58	SM4040655SP	2	56	SM8050512TP	16	18
HX00314000A	18	11	SM4040655SP	4	56	SM8060552TP	6	34
HX00314000D	2	10	SM4040655SP	6	36	SM8060612TP	6	40
HX00314000D	14	56~58	SM4040655SP	8	22	SM8060812TP	6	37
NM6030250SC	16	13	SM4040655SP	10	39	SM8060842TP	6	38
NM6040000SN	4	57	SM4040655SP	12	55	TA0400301M0	4	69
NM6040001SP	10	30	SM4040655SP	14	55	TA0850604R0	2	47
NM6050001SP	10	35	SM4040655SP	18	20	TA0850604R0	4	47
PA0602006A0	16	3	SM4041055SP	4	55	TA1050504R0	2	71
PA2001802A0	12	10	SM4041055SP	6	29	TA1050504R0	4	71
PA2503004A0	14	62	SM4041055SP	8	19	TA2050416R0	2	68
PC010508000	12	11	SM4041655SP	8	2	TA2050416R0	4	68
PC010508000	16	20	SM4043555SP	12	9	TA2101002R0	4	67
PC012401000	12	46	SM4051055SP	6	20	WP0250516SD	10	37
PF0552070C0	18	2	SM4051455SP	4	65	WP0420516KH	10	15
PJ025100002	12	7	SM4850455SP	16	15	WP0430800SC	12	20
PJ032526001	18	9	SM6020250TP	10	31	WP0430800SC	16	25

## NUMERICAL INDEX OF PARTS

PART NO	PAGE	REF NO.
WP0431005SP	10	32
WP0450826SC	16	28
WP0531000SC	2	31
WP0550800SP	2	43
WP0621016SD	14	66
WS0510002KP	2	30
WS0510002KP	6	24
WS0610002KP	14	67
WT0430002KN	14	52
WZ0641510KP	2	2