

MODEL : AP-874

List No : 1623-00

# PARTS LIST

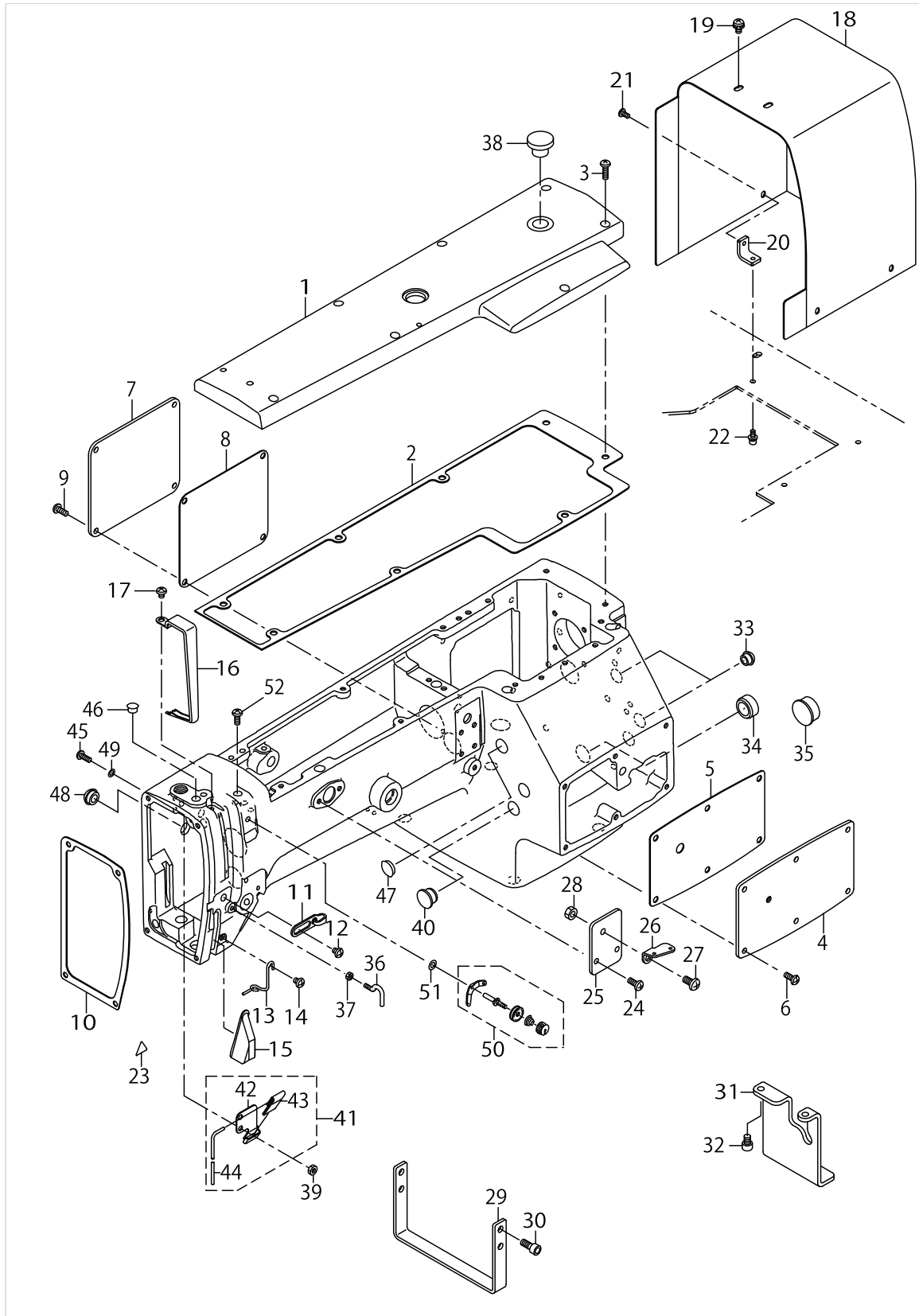
Published:05/12/2017

## CONTENTS

---

FRAME & MICELLANEOUS COVER COMPONENTS .....	1
MAIN SHAFT COMPONENTS .....	5
ARM SHAFT COMPONENTS .....	7
NEEDLE BAR COMPONENTS (1) .....	9
NEEDLE BAR COMPONENTS (2) .....	13
PRESSER MECHANISM COMPONENTS .....	17
THREAD TENSION COMPONENTS .....	19
SHUTTLE DRIVER SHAFT COMPONENTS.....	21
THREAD TRIMMER MECHANISM COMPONENTS (1).....	23
THREAD TRIMMER MECHANISM COMPONENTS (2).....	27
LUBRICATION COMPONENTS (1) .....	29
LUBRICATION COMPONENTS (2) .....	33
MAIN BODY COVER COMPONENTS (1).....	35
MAIN BODY COVER COMPONENTS (2).....	37
FRAME COVER COMPONENTS.....	41
MAIN BODY FRAME COMPONENTS .....	45
X-Y DRIVER UNIT (1).....	47
X-Y DRIVER UNIT (2).....	53
CLOTH PRESSER COMPONENTS.....	55
POCKET SET COMPONENTS.....	59
FORM PLATE MECHANISM COMPONENTS .....	63
SUCTION DEVICE COMPONENTS.....	67
AIR PRESSURE COMPONENTS.....	71
BOBBIN WINDER COMPONENTS.....	75
STACKER COMPONENTS.....	77
OPERATION PANEL COMPONENTS .....	81
CONTROL BOX COMPONENTS .....	83
WIRING DIAGRAM (1) .....	87
WIRING DIAGRAM (2) .....	91
THREAD STAND COMPONENTS.....	93
ACCESSORIES COMPONENTS.....	95
MARKING LIGHT COMPONENTS (OPTION).....	97
GARMENT PUT BASE COMPONENTS (OPTION).....	99
BAR CODE READER (OPTION).....	101
POCKET CLAMP GAGE COMPONENTS.....	103
POCKET SET GAGE COMPONENTS (ADJUSTABLE TYPE).....	105
POCKET SET GAGE COMPONENTS (FIXED TYPE).....	107
CLOTH PRESSER GAGE COMPONENTS.....	109
HOW TO MAKE USE OF THIS PARTS LIST .....	111

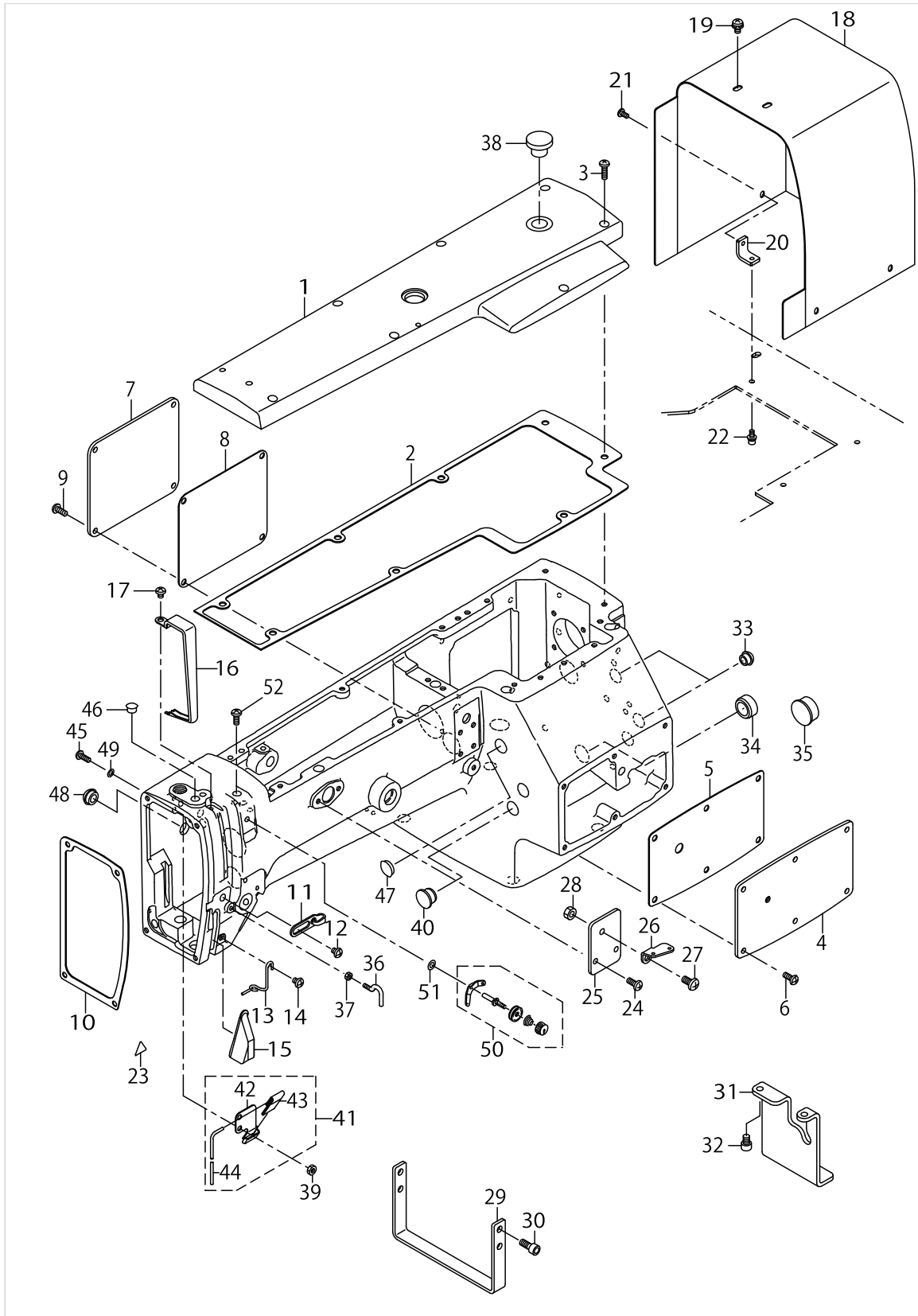
FRAME & MICELLANEOUS COVER COMPONENTS



FRAME & MICELLANEOUS COVER COMPONENTS

No.	Supply Code	Parts No.	Replacement	Parts name	Remarks	Choice	Step	Level	Cons	Qty	Rep. QTY
1		G1113875000		TOP COVER						1	
2		G1119875000		UPPER FACE COVER PACKING						1	
3		SS4121215SP		SCREW 3/16-28 L=12						8	
4		G1111875000		ARM COVER A						1	
5		G1117875000		ARM COVER PACKING A						1	
6		SS4121215SP		SCREW 3/16-28 L=12						6	
7		G1112875000		ARM COVER B						1	
8		G1118875000		ARM COVER PACKING B						1	
9		SS4121215SP		SCREW 3/16-28 L=12						4	
10		G1116875000		FACE PLATE PACKING						1	
11		13922208		TAKE-UP THREAD GUIDE B					☆	1	
12		SS4120615SP		SCREW 3/16-28 L=6						1	
13		13719802		NEEDLE BAR THREAD GUIDE					☆	1	
14		SS4120615SP		SCREW 3/16-28 L=6						1	
15		13705207		THREAD PATH GUIDE PLATE						1	
16		13920509		THREAD TAKE-UP COVER						1	
17		SS4120615SP		SCREW 3/16-28 L=6						1	
18		40116251		MOTOR COVER						1	
19		SL4051091SC		SCREW M5 L=10						2	
20		40075985		COVER ANGLE						3	
21		SM0040801SC		SCREW M4X8						3	
22		SL6041092TN		SCREW M4 L=10						3	
23		CM300200001		FINGER INJURY CAUTION LABEL (16)						1	
24		SS4121215SP		SCREW 3/16-28 L=12						2	
25		40116229		THREAD GUIDE PLATE A						1	
26		26211904		THREAD GUIDE PLATE					☆	1	
27		SM4061255SP		SCREW M6 L=12						1	
28		NM6060001SC		NUT M6X1 TYPE1						1	
29		40116230		HEAD STAND FRONT						1	
30		SS6151412TP		SCREW15/64-28L=14						4	
31		40116231		HEAD STAND BACK						1	
32		SS6151412TP		SCREW15/64-28L=14						2	
33		TA1050504R0		RUBBER PLUG						2	
34		TA2101002R0		RUBBER PLUG						1	
35		TA2351004R0		RUBBER PLUG						1	
36		26212209		L-SHAPED THREAD GUIDE A					☆	1	
37		NS6090310SP		NUT 9/64-40						1	
38		G1135870000		OIL PLUG						1	
39		NS6110350SP		NUT 11/64-40						2	
40		TA1470704R0		RUBBER PLUG						1	
41		G35328750A0		OIL WICK PRESSER ASM.						1	
42		B3502210000		OIL WICK HOLDER				*		1	
43		B3509220000		OIL SPONGE				*		1	
44		CQ252000000		OIL WICK				*		0.2	
45		SS4111215SP		SCREW11/64-40L=12						2	
46		TA0850604R0		RUBBER PLUG						3	

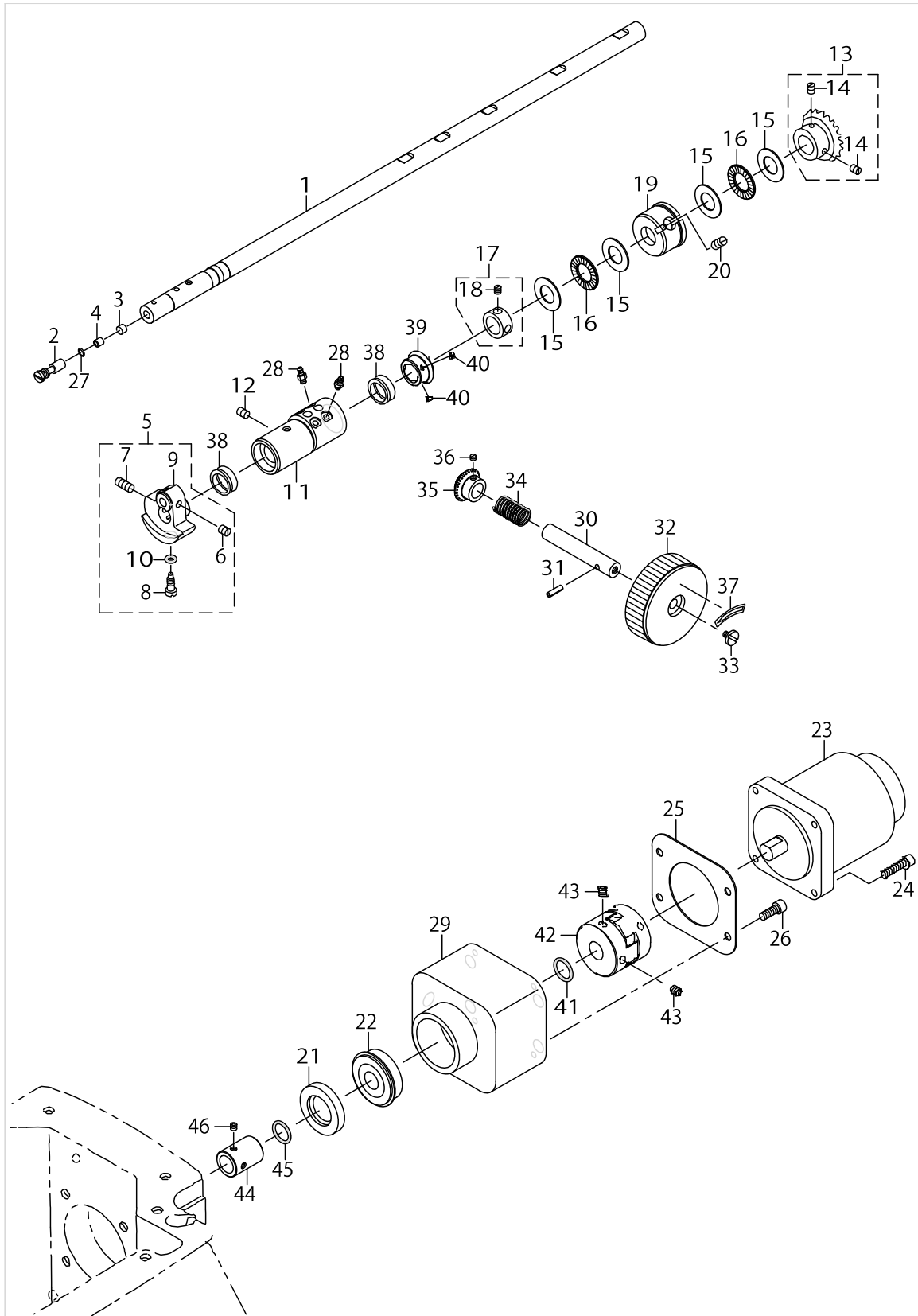
FRAME & MICCELLANEOUS COVER COMPONENTS



FRAME & MICELLANEOUS COVER COMPONENTS

No.	Supply Code	Parts No.	Replacement	Parts name	Remarks	Choice	Step	Level	Cons	Qty	Rep. QTY
47		TA1450404R0		RUBBER PLUG D=14.5 L=4						2	
48		TA1250406R0		RUBBER PLUG D=12.5 L=4						1	
49		WP0480856SP		WASHER 4.8X8.4X0.8						2	
50	R	11073954	22963458	THREAD TENSION ASM.						1	1.00
51		WP0531001SC		WASHER						1	
52		SS4121215SP		SCREW 3/16-28 L=12						1	

# MAIN SHAFT COMPONENTS

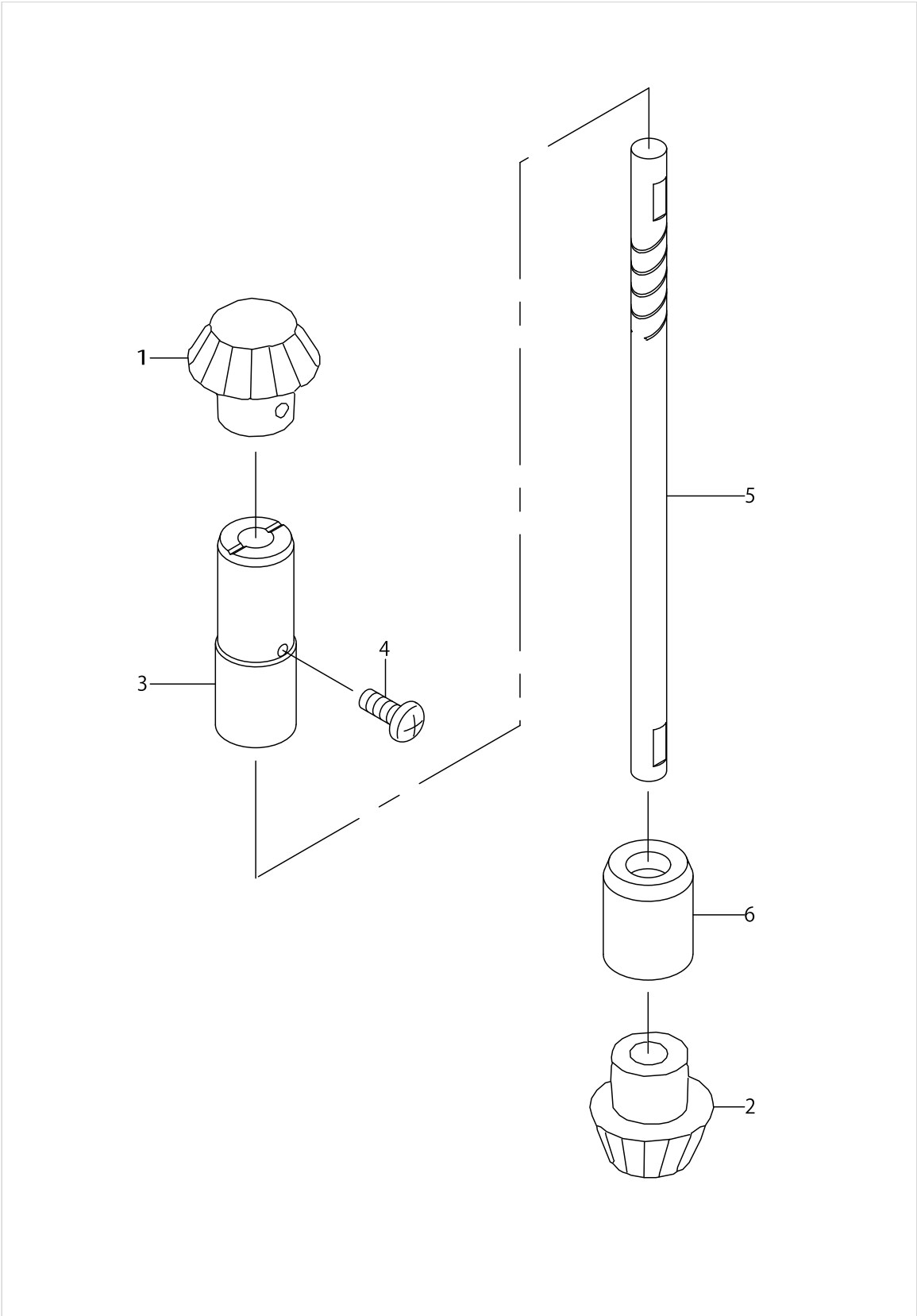


MAIN SHAFT COMPONENTS

No.	Supply Code	Parts No.	Replacement	Parts name	Remarks	Choice	Step	Level	Cons	Qty	Rep. QTY
1		40116233		MAIN SHAFT						1	
2		B1213552000A		OIL ADJUSTING PIN						1	
3		B1226552000		ROLLER FELT						1	
4		B1215552000		OIL ADJUSTING COLLAR						1	
5		22903157		COUNTER WEIGHT ASM.						1	
6		SS8660610TP		SCREW 1/4-40 L=6				*		2	
7		SS8681650TP		SCREW 9/32-28 L=16				*		1	
8		SS7681650TP		SCREW 9/32-28 L=16				*		1	
9	R	22903108	22903157	COUNTER WEIGHT				*		1	1.00
10		RO044240100		O-RING				*		1	
11		G1206875000		MAIN SHAFT BUSHING, FRONT						1	
12		SS8150822TP		SCREW 15/64-28 L=8						1	
13		G12128700A0		UPPER BEVEL ARM ASM.						1	
14		SS8660810TP		SCREW 1/4-40 L=8				*		2	
15		B1220771000		THRUST WASHER A						4	
16		B1211980000		UPPER SHAFT THRUST BEARING						2	
17		CS150101ATH		THRUST COLLAR ASM. D=15 W=10						2	
18		SS8660530TP		SCREW 1/4-40 L= 4.5				*		2	
19		13922901		MAIN SHAFT BUSHING, INTER						1	
20		SS8150822TP		SCREW 15/64-28 L=8						1	
21		G1220870000A		OIL SHEEL						1	
22		G1216870000		UPPER SHAFT REAR BEARING						1	
23		40052937		550W SERVO MOTOR					☆	1	
24		SL6052592TN		SCREW M5 L=25						4	
25		40116232		MOTOR MOUNT PACKING					☆	1	
26		SS6151612TP		SCREW						4	
27		RO029180100		RUBBER RING						1	
28		SQ1110402MZ		CONNECTING SCREW						4	
29		40116034		MOTOR MOUNT						1	
30		40116235		NEAR PULLEY SHAFT						1	
31		PS0400142KH		SPRING PIN 4X14						1	
32		B1212210D00		PULLEY						1	
33		A1230500000A		HANDWHEEL SETSCREW						1	
34		D3902481C00A		SPRING						1	
35		40006516		GEAR B						1	
36		SM8040310SS		SCREW M4 L=3						2	
37		B1144210000		REVOLVING DIRECTION LABEL						1	
38		13707500		OIL SEAL						2	
39		40006515		GEAR A						1	
40		SM8040310SS		SCREW M4 L=3						2	
41		RO154240100		O-RING						1	
42	R	23604309	40051473	COUPLING						1	1.00
43		SM8060812TP		SCREW M6 L=8						4	
44		40116234		OIL SEAL COLLER						1	
45		RO148240200		O-RING						1	
46		SM8050412TP		SCREW M5 L=4						2	



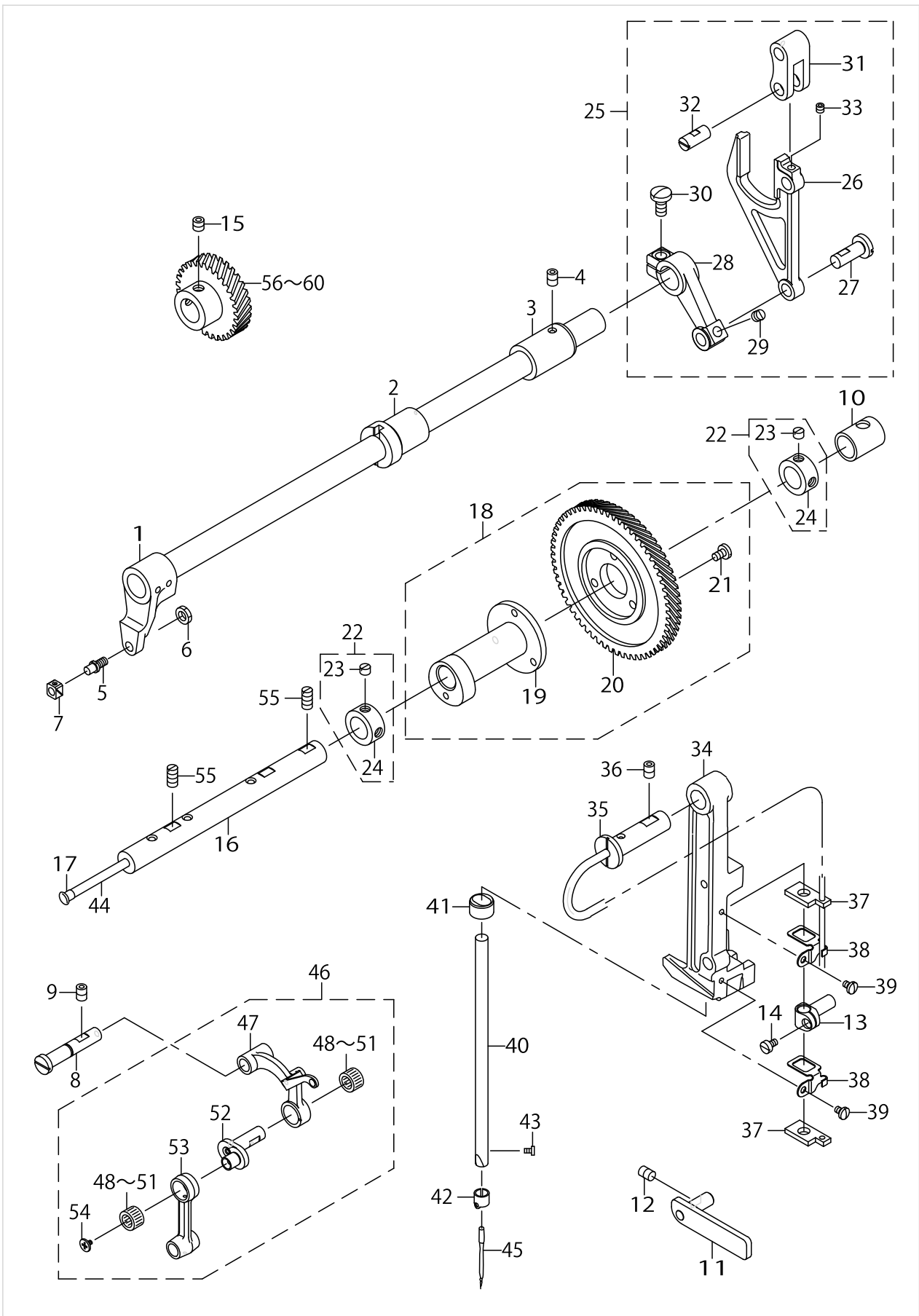
ARM SHAFT COMPONENTS



ARM SHAFT COMPONENTS

No.	Supply Code	Parts No.	Replacement	Parts name	Remarks	Choice	Step	Level	Cons	Qty	Rep. QTY
1		B13061550A0		PINION ASM.						1	
2		B13071550A0		GEAR ASM. LARGE						1	
3		G1302875000		VERTICAL SHAFT UPPER METAL						1	
4		SS4121215SP		SCREW 3/16-28 L=12						1	
5		G1301875000		VERTICAL SHAFT						1	
6	R	110042J5	11004207	UPRIGHT SHAFT BUSHING						1	1.00

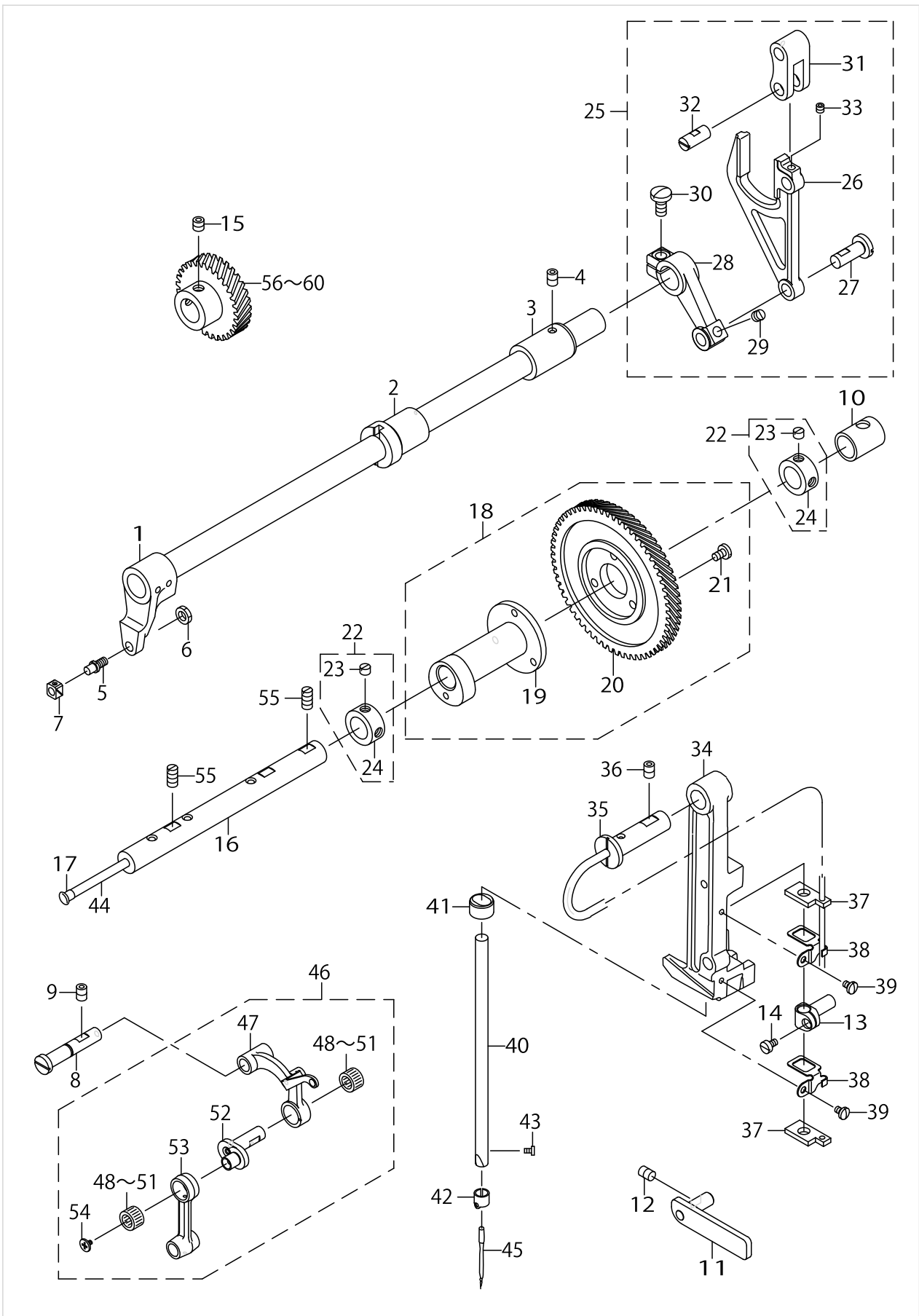
NEEDLE BAR COMPONENTS (1)



NEEDLE BAR COMPONENTS (1)

No.	Supply Code	Parts No.	Replacement	Parts name	Remarks	Choice	Step	Level	Cons	Qty	Rep. QTY
1		40116236		NEEDLE BAR FRAME SHAFT ASM.						1	
2		13715404		BUSHING						1	
3		13715503		BUSHING, REAR						1	
4		SS8150822TP		SCREW 15/64-28 L=8						1	
5		B1410771000		STUD						1	
6		NS6150310SP		NUT 15/64-28						1	
7		B1414232000		SQUARE BLOCK						1	
8		13730304		THREAD TAKE-UP SUPPORT ROD						1	
9		SS8150822TP		SCREW 15/64-28 L=8						1	
10	D	13719000		BEARING, REAR B						1	
11		G14058750A0		FRAME SUPPORT PLATE ASM.						1	
12		SS8150822TP		SCREW 15/64-28 L=8						1	
13		13924501		NEEDLE BAR CONNEC.						1	
14		SS6090670TP		SCREW 9/64-40 L=6						1	
15		SS8660612TP		SCREW 1/4-40 L=6						2	
16		13718903		ROCK CAM SHAFT						1	
17		TA0550604R0		RUBBER PLUG						1	
18		13718754		NEEDLE BAR ROCK CAM CONNEC.						1	
19	R	13718705	13718754	NEEDLE BAR ROCK CAM				*		1	1.00
20	R	13718804	13718754	NEEDLE THROW GEAR LARGE				*		1	1.00
21		SS7110710SP		SCREW 11/64-40 L=7				*		3	
22		CS140101ASP		THRUST COLLAR ASM.						2	
23		SS8150410TP		SCREW 15/64-28 L= 4.0				*		4	
24	R	CS1401014SP	CS140101ASP	THRUST COLLAR				*		2	1.00
25		G14158750A0		NEEDLE BAR FRAME ROD COMPL.						1	
26	D	G1415875000		NEEDLE BAR FRAME ROD				*		1	
27		13715701		FRAME ROCK SHAFT CRANK PIN				*		1	
28	R	G1416875000	G14158750A0	NEEDLE BAR ROCKING ARM ,REAR				*		1	1.00
29		SS8150510TP		SCREW 15/64-28 L= 4.7				*		1	
30		SS7151210SP		SCREW15/64-28L=12				*		1	
31	D	13716006		CONNECTING FORKED LINK				*		1	
32	D	13715909		CONNECTING FORKED LINK PIN				*		1	
33		SS8110422TP		SCREW 11/64-40 L=4				*		1	
34		13924600		NEEDLE BAR FRAME						1	
35		13714803		HINGE STUD						1	
36		SS8150822TP		SCREW 15/64-28 L=8						1	
37		13714704		OIL FELT						2	
38		13925102		OIL FELT HOLDER						2	
39		SS7090530SP		SCREW9/64-40L=4.5						2	
40		G1401875000		NEEDLE BAR					☆	1	
41		13920608		NEEDLE BAR OIL METAL						1	
42		22507701		THRED RACK, RIGHT					☆	1	
43		SS7080510TP		SCREW 1/8-44 L=4.5					☆	1	
44		CQ3000000F0		OIL FELT						.1	
45		MC200531300		NEEDLE 134 SERV7 NM130					☆	1	

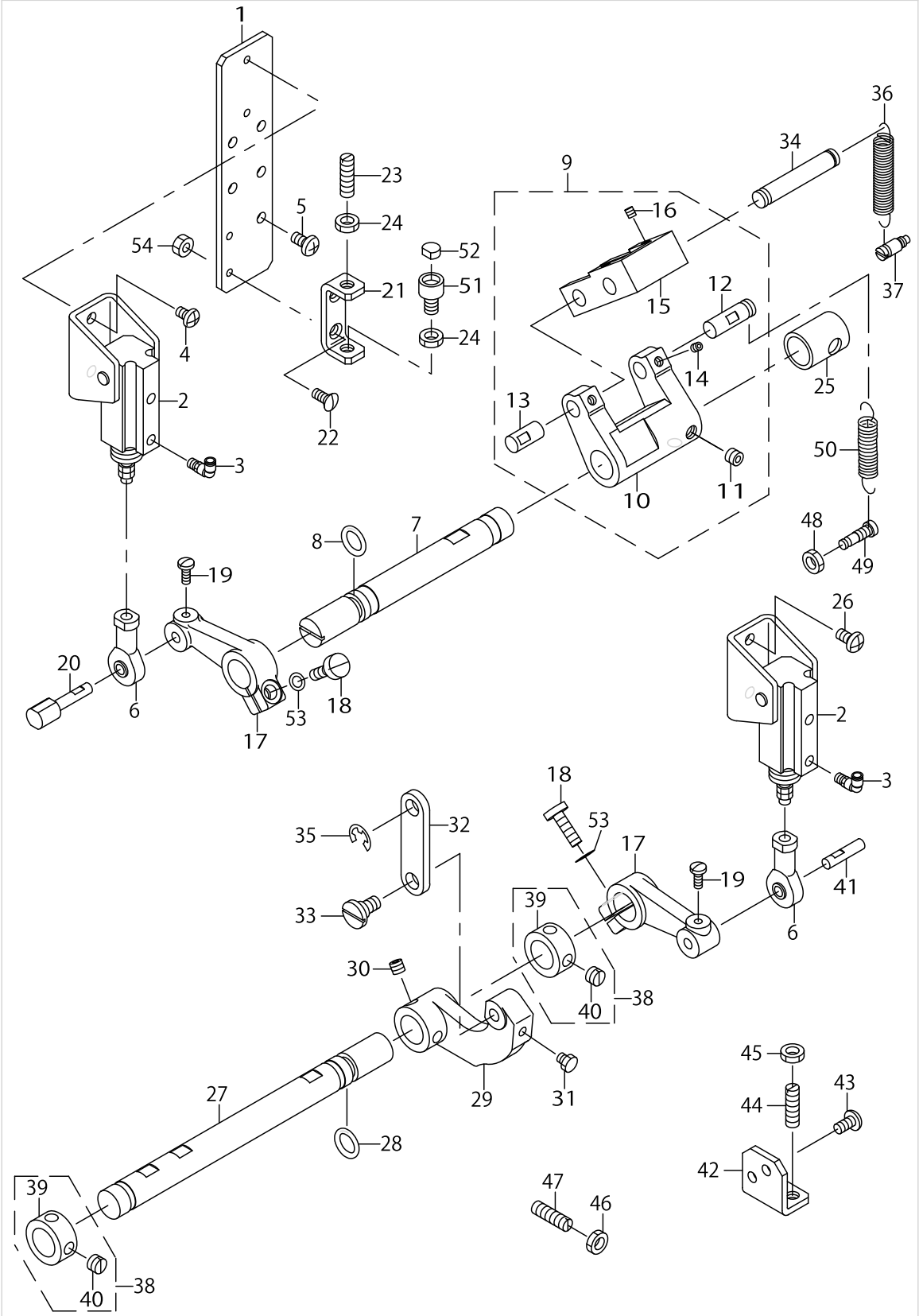
NEEDLE BAR COMPONENTS (1)



NEEDLE BAR COMPONENTS (1)

No.	Supply Code	Parts No.	Replacement	Parts name	Remarks	Choice	Step	Level	Cons	Qty	Rep. QTY
46		G19028750A0		LINK THREAD TAKE- -UP LEVER ASM.					☆	1	
47		11017068		LINK THREAD TAKE- -UP LEVER ASM.				*		1	
48		B1905541A00		NEEDLE BEARING, A	SELECTIVE PARTS			*		2	
49		B1905541B00		NEEDLE BEARING	SELECTIVE PARTS			*		2	
50		B1905541C00		NEEDLE BEARING	SELECTIVE PARTS			*		2	
51		B1905541D00		NEEDLE BEARING	SELECTIVE PARTS			*		2	
52	R	11091600	40109126	NEEDLEBARCRANKH				*		1	1.00
53		13714407		NEEDLE BAR CRANK ROD				*		1	
54		B1903552000		LEFT SCREW				*		1	
55		SS8151230SP		SCREW15/64-28L=12						2	
56	R	13719109	13719158	NEEDLE THROW GEAR SMALL A	SELECTIVE PARTS					1	1.00
57	R	13719208	13719257	NEEDLE THROW GEAR SMALL B	SELECTIVE PARTS					1	1.00
58		13719307		NEEDLE THROW GEAR SMALL C	SELECTIVE PARTS					1	
59	R	13719406	13719455	NEEDLE THROW GEAR SMALL D	SELECTIVE PARTS					1	1.00
60		13719505		NEEDLE THROW GEAR SMALL E	SELECTIVE PARTS					1	

NEEDLE BAR COMPONENTS (2)

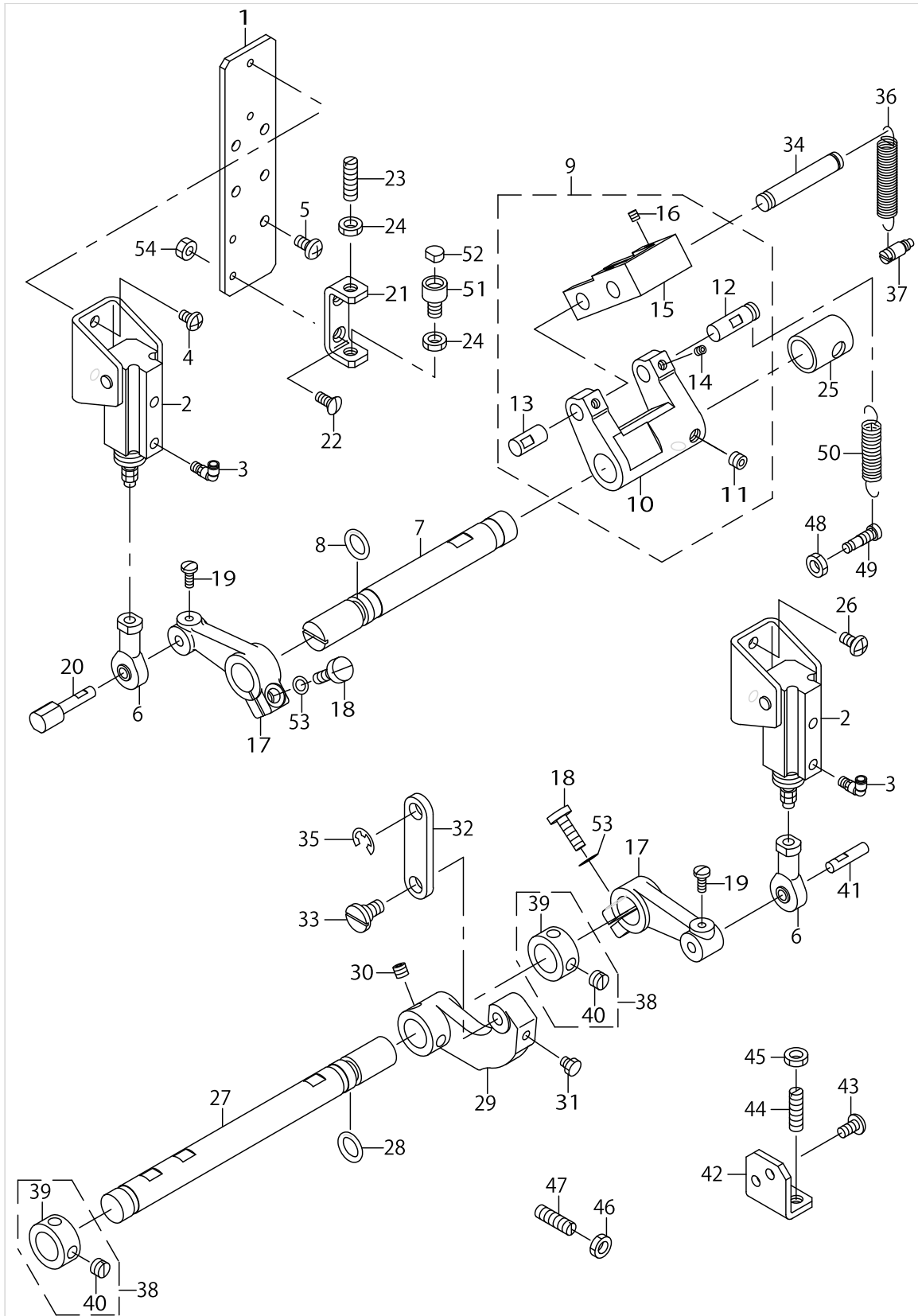


NEEDLE BAR COMPONENTS (2)

No.	Supply Code	Parts No.	Replacement	Parts name	Remarks	Choice	Step	Level	Cons	Qty	Rep. QTY
1		G1421875000		CYLINDER FITTING PLATE						1	
2		PA1501010A0		AIR CYLINDER						2	
3		PJ304040504		ELBOW UNION						4	
4		SS4110715SP		SCREW 11/64-40 L=7						2	
5		SS4120915SP		SCREW 3/16-28 L=9						5	
6		G6505880000		ROD END B						2	
7		G1424875000		REPOSITIONING LEVER SHAFT						1	
8		RO098240100		RUBBER RING						1	
9		40055174		REPOSITIONING LEVER ASM.						1	
10		40055176		REPOSITIONING LEVER				*		1	
11		SS8660512TP		SCREW 1/4-40 L=5				*		2	
12		13716303		REGULATING LEVER LINK STUD				*		1	
13		G1431875000		REGULATING LEVER LINK STUD				*		1	
14		SS8110422TP		SCREW 11/64-40 L=4				*		2	
15		40055175		REGULATING LEVER LINK				*		1	
16		SS8110422TP		SCREW 11/64-40 L=4				*		2	
17		G1426875000		REGULATING LEVER LINK STUD						2	
18		SS9151630CP		SCREW 15/64-28 L=15.5						2	
19		SS7090920SP		SCREW 9/64-40 L=8.5						2	
20		G1422875000		REPOSITIONING CYLINDER SHAFT						1	
21	D	G1423875000		REPOSITIONING STOPPER PLATE						1	
22		SS2111010TP		SCREW 11/64-40 L=9.5						2	
23		SS8152030SP		SCREW 15/64-28 L=20						1	
24		NS6150310SP		NUT 15/64-28						2	
25	D	13719000		BEARING, REAR B						1	
26		SS4120915SP		SCREW 3/16-28 L=9						2	
27		G1427875000		REGULATING LEVER SHAFT						1	
28		RO098240100		RUBBER RING						1	
29		G1428875000		REGULATING LEVER						1	
30		SS8660512TP		SCREW 1/4-40 L=5						2	
31		SS9110513TP		SCREW 11/64-40 L=5						1	
32	D	13717004		REGULATING HINGE PIN						1	
33		SD0800402TP		HINGE SCREW D= 8 H= 4						1	
34	D	13716105		CONNECTING STUD						1	
35		RE0600000K0		E-RING 6						1	
36		13717400		SPRING B						1	
37		B2006372000		ADJUSTING SCREW						1	
38		CS140101ASP		THRUST COLLAR ASM.						2	
39	R	CS140101ASP	CS140101ASP	THRUST COLLAR				*		1	1.00
40	R	SS8150410SP	SS8150410TP	SCREW 15/64-28 L=4				*		2	1.00
41		G1429875000		REGULATING CYLINDER SHAFT						1	
42		G1430875000		REGULATING STOPPER PLATE						1	
43		SS4120915SP		SCREW 3/16-28 L=9						2	
44		SS8152030SP		SCREW 15/64-28 L=20						1	
45		NS6150310SP		NUT 15/64-28						1	
46		NS6150310SP		NUT 15/64-28						1	



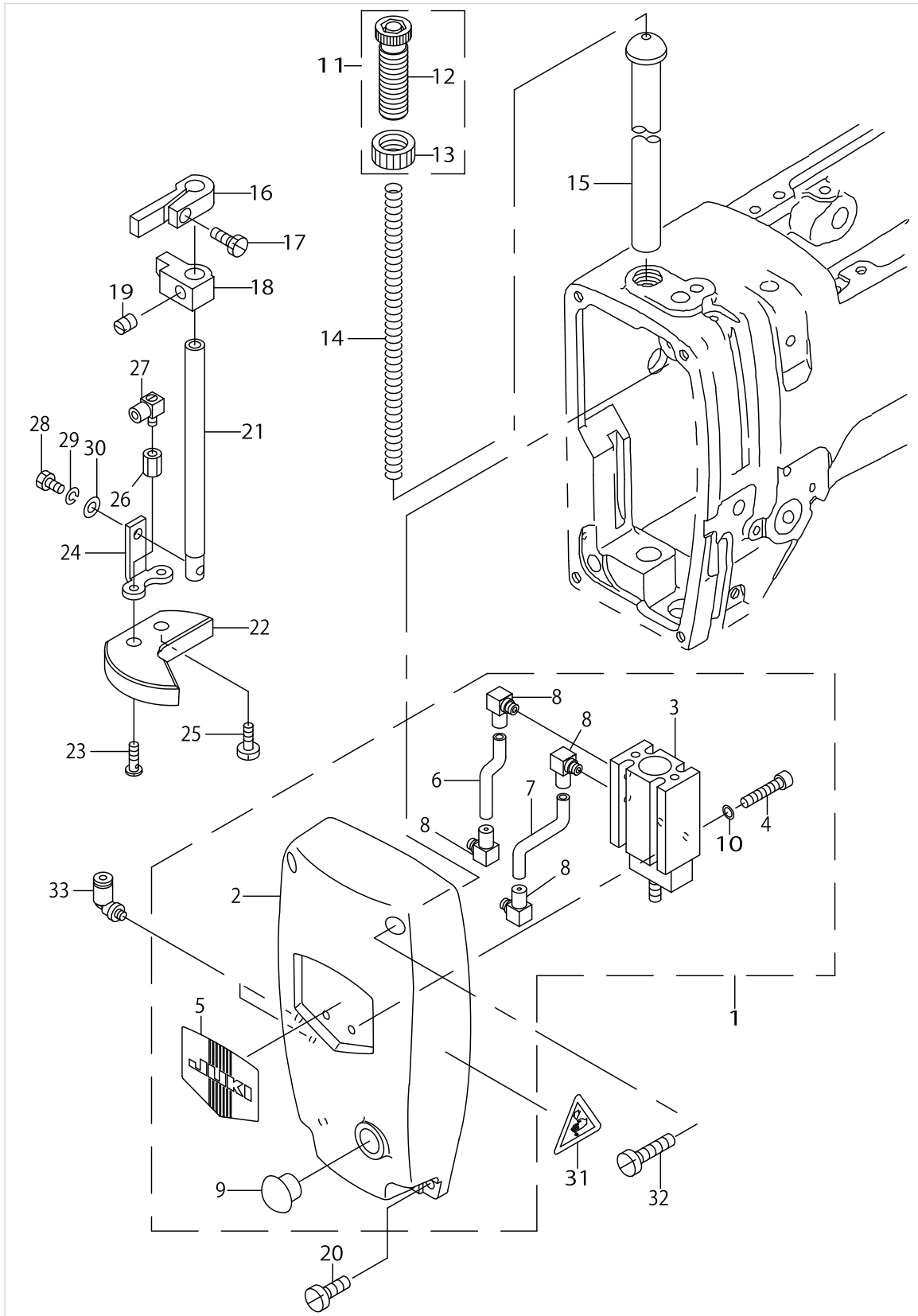
NEEDLE BAR COMPONENTS (2)



NEEDLE BAR COMPONENTS (2)

No.	Supply Code	Parts No.	Replacement	Parts name	Remarks	Choice	Step	Level	Cons	Qty	Rep. QTY
47		SS8152030SP		SCREW 15/64-28L=20						1	
48		NS6150310SP		NUT 15/64-28						1	
49		13716907		SUSPENSION SCREW						1	
50		13716808		SPRING						1	
51		40009095		SWING ARM STOPPER						1	
52		B1432761000		SWING ARM STOPPER RUBBER						1	
53		WP0621026SP		WASHER 6.2X9.5X1						2	
54		NS6110420SP		NUT 11/64-40						2	

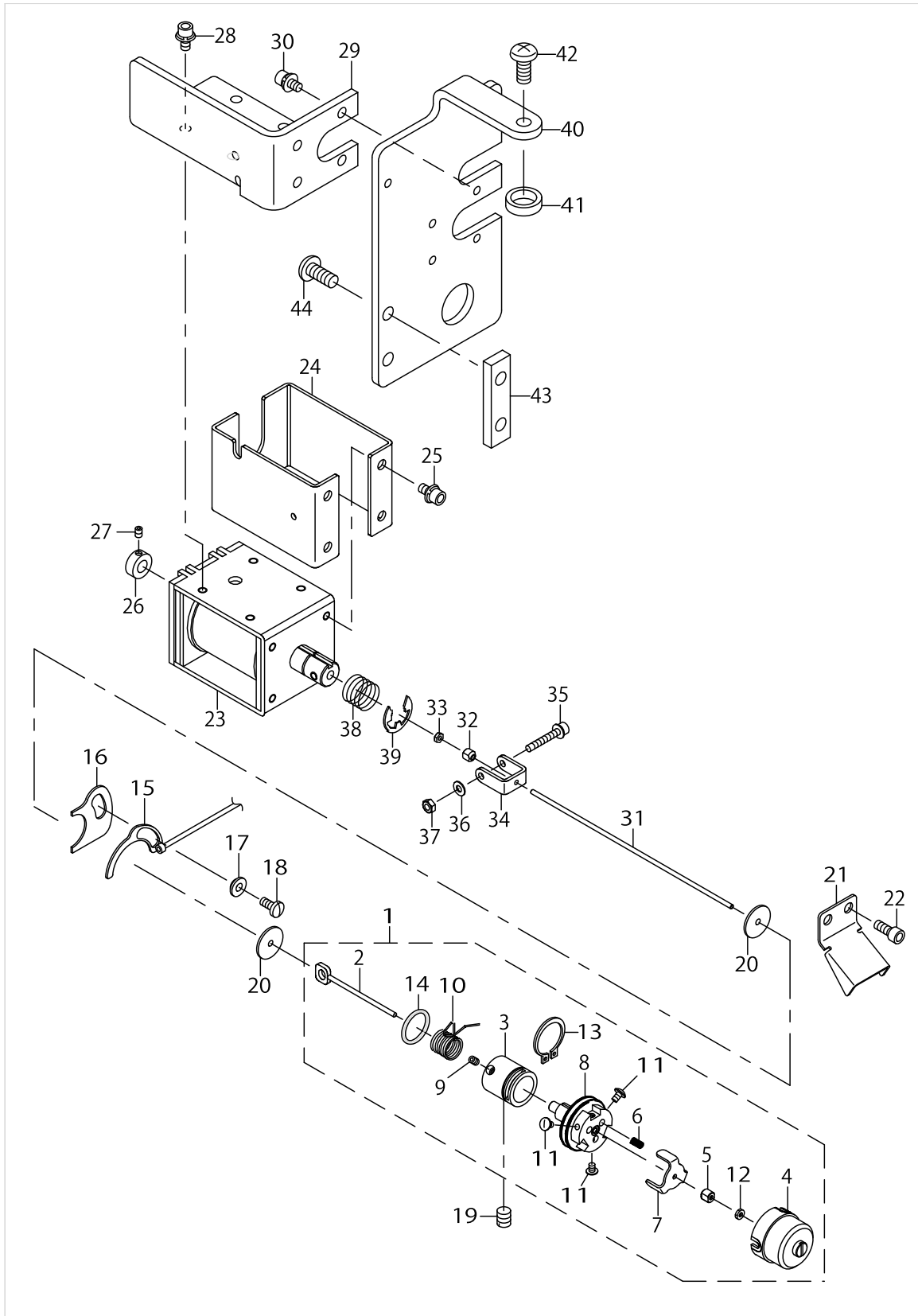
PRESSER MECHANISM COMPONENTS



PRESSER MECHANISM COMPONENTS

No.	Supply Code	Parts No.	Replacement	Parts name	Remarks	Choice	Step	Level	Cons	Qty	Rep. QTY
1		G16018750A0		FACE COVER ASM.						1	
2		G1601875000		FACE COVER				*		1	
3		PA200201000		FREE-MOUNT CYLINDER				*		1	
4		SM6052502TP		SCREW M5X0.8 L=25				*		1	
5		22902506		FACE PLATE				*		1	
6		BT0400251EB		URETHANE HOSE, BLACK				*		0.1	
7		BT0400251EB		URETHANE HOSE, BLACK				*		0.1	
8		PJ046052503		HOSE ELBOW				*		6	
9		TA1250406R0		RUBBER PLUG D=12.5 L=4				*		1	
10		WP0510516SD		WASHER 5.1X7.5X0.5				*		2	
11		22907554		PRESSER SPRING REGULATOR ASM.						1	
12	R	22907505	22907554	PRESSER SPRING REGULATOR				*		1	1.00
13	R	22907604	22907554	PRESSER SPRING REGULATOR NUT				*		1	1.00
14		B1611220000		SPRING						1	
15		14208409		PRESSER GUIDE BAR						1	
16		B1504051000		PRESSER BAR GUIDE BRACKET						1	
17		SS9091010SP		SCREW 9/64-40 L=10						1	
18		G1603875000		PRESSER BAR CONNECTION						1	
19		SS8660810TP		SCREW 1/4-40 L=8						1	
20		SS4121415SP		SCREW 3/16-28 L=14						2	
21		G1604875000		PRESSER BAR						1	
22		G1606875000		PRESSER PLUNGER						1	
23		G1611870000		AIR ADJUSTING						1	
24		G1605870000		PRESSER PLUNGER FITTING PLATE						1	
25		SM4051001SN		SCREW M5						1	
26		G1610870000		PIPE ADJUSTING						1	
27		PJ046052503		HOSE ELBOW						1	
28		SS9111010SP		SCREW 11/64-40 L=9.5						1	
29		WS0451040KP		SPRING WASHER 4.5X8.5X1						1	
30		WP0450826SC		WASHER 4.5X10X0.8						1	
31		CM300200001		ATTENTION SEAL						1	
32		SS6123010SP		SCREW 3/16-28 L=30.0						2	
33		PJ304040504		UNION						2	

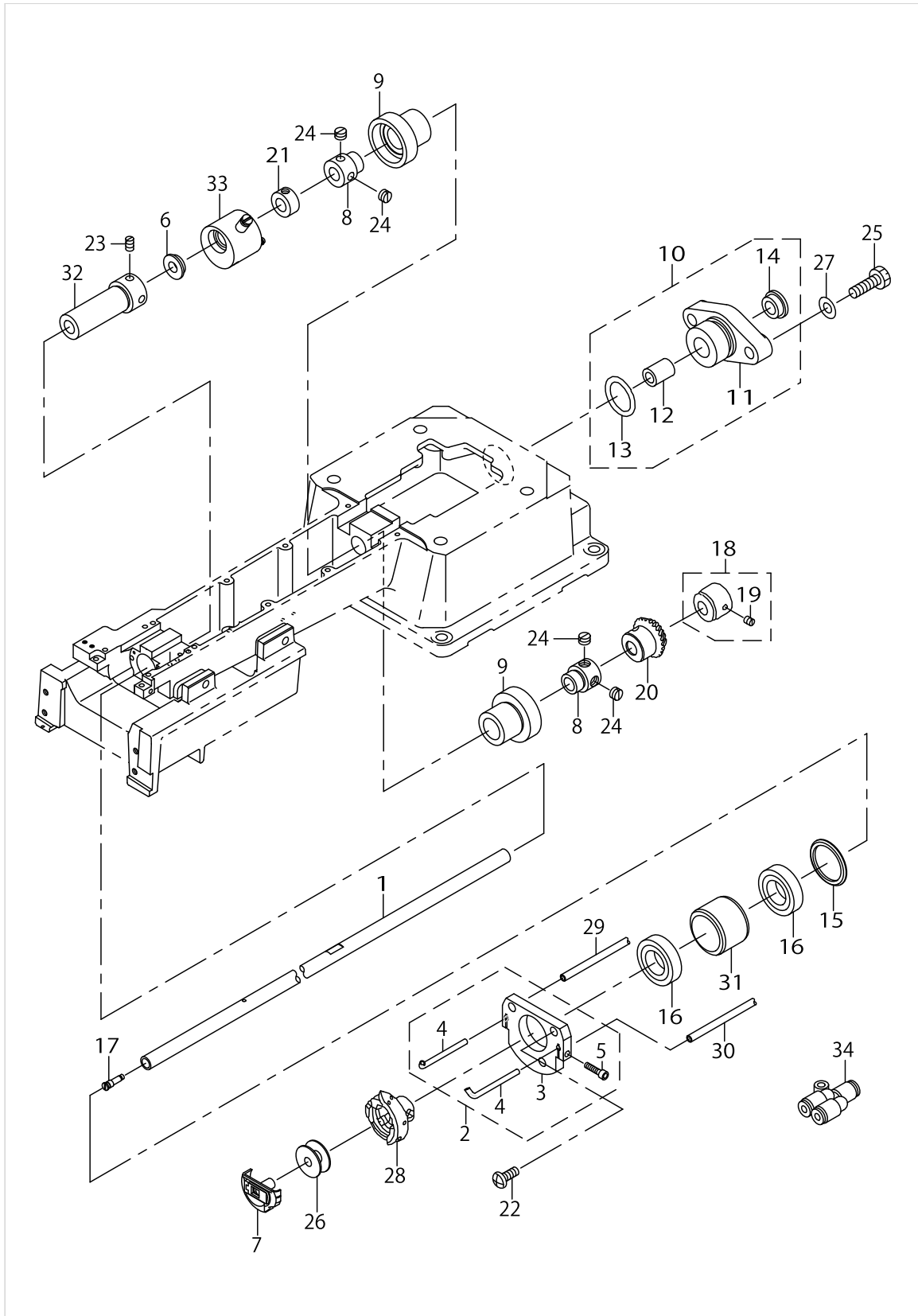
# THREAD TENSION COMPONENTS



THREAD TENSION COMPONENTS

No.	Supply Code	Parts No.	Replacement	Parts name	Remarks	Choice	Step	Level	Cons	Qty	Rep. QTY
1		40116238		THREAD TENSION ASM.					☆	1	
2		40010509		THREAD TENSION SHAFT				*		1	
3		40116239		THREAD POST SOCKET				*		1	
4		40010511		DISK STOPPER HOLDER CAP				*		1	
5		40010512		THREAD TENSION SHAFT COLLAR				*		1	
6		40010513		DISK STOPPER SP				*		3	
7		40010514		DISK STOPPER				*		1	
8		40010515		ASSY THREAD TENSION POST				*		1	
9		40010478		AT SOL COLLAR SCREW				*		1	
10		22921605		THREAD TAKE-UP SPRING				*	☆	1	
11		40010521		HOLD CAP SCREW				*		3	
12		40010522		SHAFT NUT				*		1	
13	R	40010523	40010508	POST BASE C RING				*		1	1.00
14		RO133170100		O-RING				*		1	
15		40105165		THB SENSOR ASSY						1	
16		G2313870000		THREAD CUTTING SENSOR PLATE INSULATING P						1	
17		B2703210000		BUSHING						1	
18		SS7090850SP		SCREW 9/64-40 L=8						1	
19		SS8150760TP		SCREW 15/64-28 L=7.0						1	
20		40116240		OIL SEAL RUBBER						2	
21		40116241		OIL PREUNET PLATE						1	
22		SS6111052TP		SCREW						2	
23		40016908		AT SOLENOID						1	
24		40088163		LOWER SOLENOID COVER B						1	
25		SL6040892TN		SCREW M4 L=8						4	
26		40010477		AT SOL COLLAR						1	
27		SM8030412TP		SCREW						2	
28		SL6040892TN		SCREW M4 L=8						4	
29		40116242		SOLENOID PLATE						1	
30		SL6040892TN		SCREW M4 L=8						4	
31		40116243		TENSION SHAFT						1	
32		40010512		THREAD TENSION SHAFT COLLAR						1	
33		NM6020001SC		NUT M2X0.4 TYPE1						1	
34		40016911		THREAD TENSION SHAFT HOLDER						1	
35		SL6032092TN		SCREW M3 L=20						1	
36		WP0320501SC		WASHER M3						1	
37		NM6030001SC		NUT M3X0.5 TYPE1						1	
38		40006625		SPRING						1	
39		RE0900000KP		SNAP RING 9						1	
40		40116244		AT FITTING PLATE						1	
41		22798607		SENSING BASE WASHER						1	
42		SS4151415SP		SCREW15/64-28L=14						1	
43		40116245		ATFITTINGSPACERB						1	
44		SS4151415SP		SCREW15/64-28L=14						2	

# SHUTTLE DRIVER SHAFT COMPONENTS

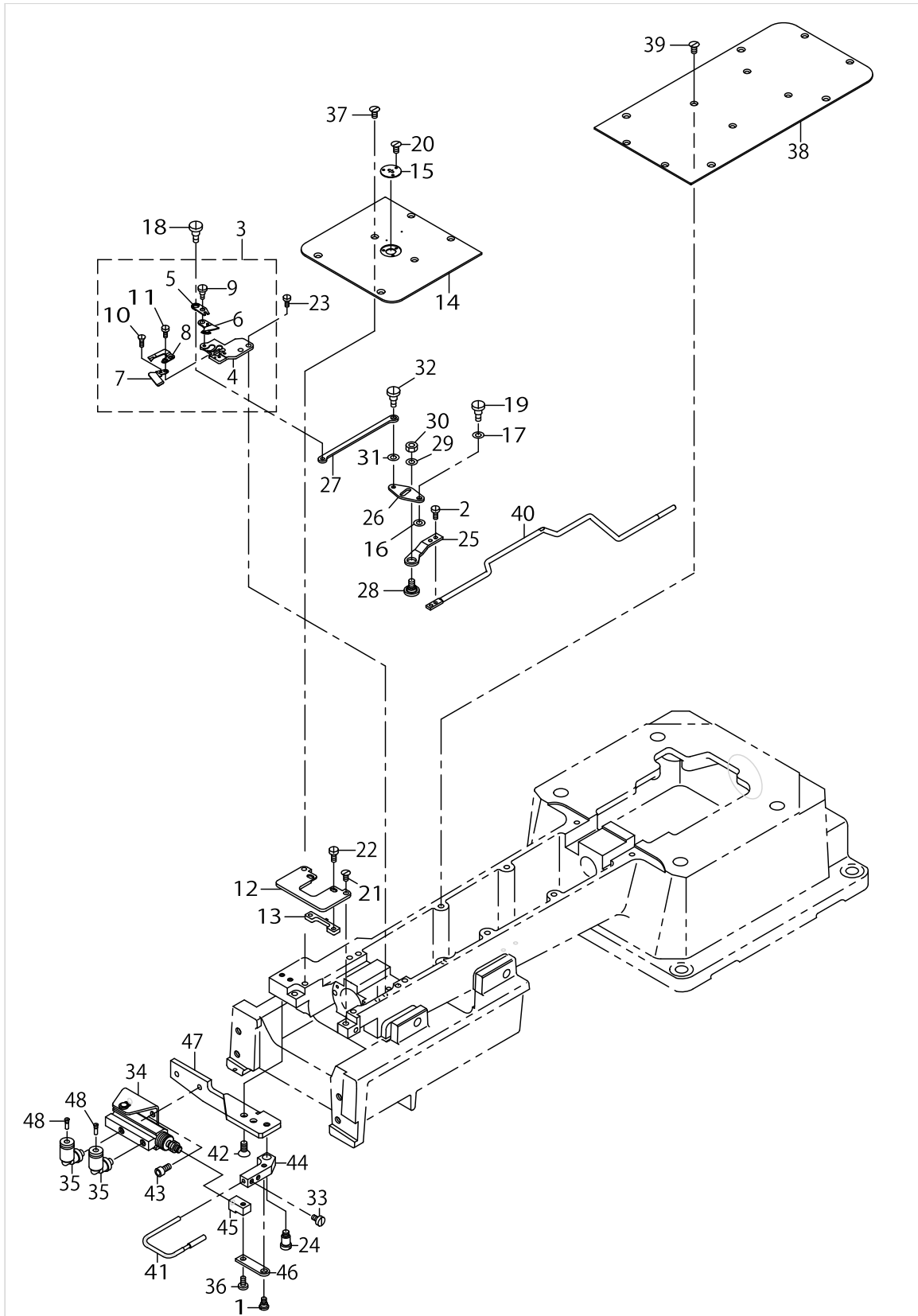


SHUTTLE DRIVER SHAFT COMPONENTS

No.	Supply Code	Parts No.	Replacement	Parts name	Remarks	Choice	Step	Level	Cons	Qty	Rep. QTY
1	R	G1801875000	72000911	HOOK DRIVING SHAFT						1	1.00
2		G18028750A0		FIXING PLATE ASM.						1	
3		G1802875000		FIXING PLATE				*		1	
4		G1803875000		HOOK DUST REMOVAL PIPE				*		2	
5		SM6031202TP		SCREW M3X0.5 L=12				*		2	
6		G1808870000		LOWER SHAFT HOUSING BUSH						1	
7		G18168750A0		BOBBIN CASE ASM.					☆	1	
8		G1810870000		SLEEVE B						2	
9		G18118700A0		LOWER SHAFT HOUSING ASM.						2	
10		G18138700A0		LOWER SHAFT BLOCK ASM.						1	
11		G1813870000		LOWER SHAFT BLOCK				*		1	
12		11911203		BUSHING, REAR				*		1	
13		RO195240100		RUBBER RING				*		1	
14		TA1250406R0		RUBBER PLUG D=12.5 L=4				*		1	
15		G1303870000		UPPER BEARING SPACER						1	
16		G1211870000		UPPER SHAFT MID-DLE METAL BEARING						2	
17		22916506		SET SCREW						1	
18		22950950		CAM COLLAR ASM.						1	
19		SS8110520TP		SCREW 11/64-40 L= 4.5				*		1	
20		B13081550A0		PINION ASM.						1	
21		CS079073ASH		THRUST COLLAR ASM.						1	
22		SS4121215SP		SCREW 3/16-28 L=12						3	
23		SS8110750SP		SCREW 11/64-40 L= 6.5						2	
24		SS8660610TP		SCREW 1/4-40 L=6						4	
25		SS9151910SN		SCREW15/64-28L=19						2	
26		G1817875000		BOBBIN					☆	1	
27		WP0621016SD		WASHER 6.2X13X1						2	
28		40072028		HOOK X ASM.					☆	1	
29		BT0400251EB		URETHANE HOSE, BLACK						.15	
30		BT0400251EB		URETHANE HOSE, BLACK						.13	
31		G1804870000		LOWER SHAFT SPACER COLLAR						1	
32		G1805870000		SLEEVE A						1	
33		G18068700B0		LOWER SHAFT OILING HOUSING ASM.						1	
34		PJ308040002		QUICK JOINT						1	



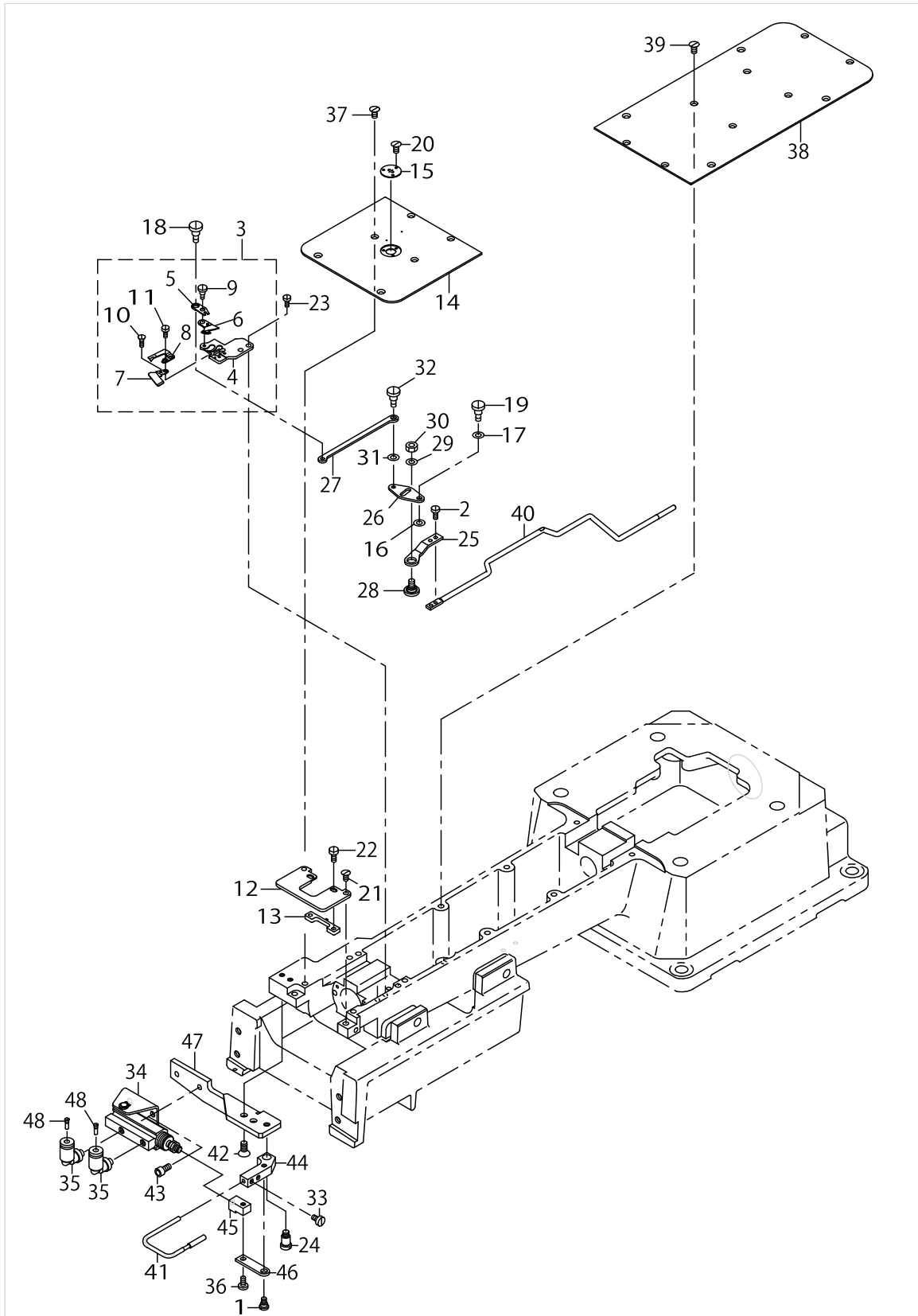
THREAD TRIMMER MECHANISM COMPONENTS (1)



THREAD TRIMMER MECHANISM COMPONENTS (1)

No.	Supply Code	Parts No.	Replacement	Parts name	Remarks	Choice	Step	Level	Cons	Qty	Rep. QTY
1		SD0500204TP		HINGE SCREW						1	
2		SS7110710SP		SCREW 11/64-40 L=7						2	
3		G24098750A0		KNIFE INSTALLING BASE ASM.						1	
4		G2409875000		KNIFE FITTING BASE				*		1	
5		G2410870000		MOVING KNIFE ARM				*		1	
6		11409257		MOVING KNIFE J.ASM.				*	☆	1	
7		11409802		THREAD TENSION GUIDE				*	☆	1	
8		11409604		FIX KNIFE				*	☆	1	
9		SD0500231TP		HINGE SCREW				*		1	
10		SS2060210SP		SCREW 3/32-56 L=2.3				*		1	
11		SS4080620TP		SCREW 1/8-44 L=6				*		2	
12		G2418875000		INSTALLING PLATE						1	
13		G2419875000		INNER HOOK PRESSER						1	
14		G2420875000		THROAT PLATE A						1	
15		G2422875000		NEEDLE HOLE GUIDE	SELECTIVE PARTS					1	
16		11273505		BRANCH SPACER						1	
17		B255728000A		WASHER FOR DRIVING ARM						1	
18		SD0600181TP		HINGE SCREW						1	
19		SD0640391TP		HINGE SCREW D= 6.35 H= 3.9						1	
20		SS1060210TP		SCREW 3/32-56 L=2.2						3	
21		SS1121010SP		SCREW						2	
22		SS6110610TP		SCREW 11/64-40 L=6						2	
23		SS6121050SP		SCREW 3/16-28 L=9.5						2	
24		SD0640752TP		HINGE SCREW D= 6.35 H= 7.5						1	
25		G2406870000		MOVING KNIFE LINK, B						1	
26		40116040		MOVING KNIFE LINK						1	
27	R	G2408870000	72000839	MOVING KNIFE LINK, D						1	1.00
28		22950000		PICKER LINK PIN						1	
29		WP0621016SH		WASHER						1	
30		NS6150430SP		NUT 15/64-28						1	
31		B1618804000		WASHER						1	
32		SD0600403TP		SHOULDER SCREW D=6 H=4						1	
33		SS6090670TP		SCREW 9/64-40 L=6						2	
34		PA1001013A0		PIN CYLINDER						1	
35		PJ304040504		UNION						2	
36		SS7090710SP		SCREW 9/64-40 L=6.8						1	
37		SS1121010SP		SCREW						4	
38		G2421875000		THROAT PLATE B						1	
39		SS1121010SP		SCREW						8	
40		40116039		CONNECTING BAR						1	
41		22950356		HOOK THREAD PRESSER ASM.						1	
42		SS2111010TP		SCREW 11/64-40 L=9.5						2	
43		SM6040802TP		SCREW M4X0.7 L=8						2	
44		G2415875000		PICKER HOLDER						1	
45		G2416875000		PICKER CYLINDER PIN						1	
46		G2417875000		PICKER LINK						1	

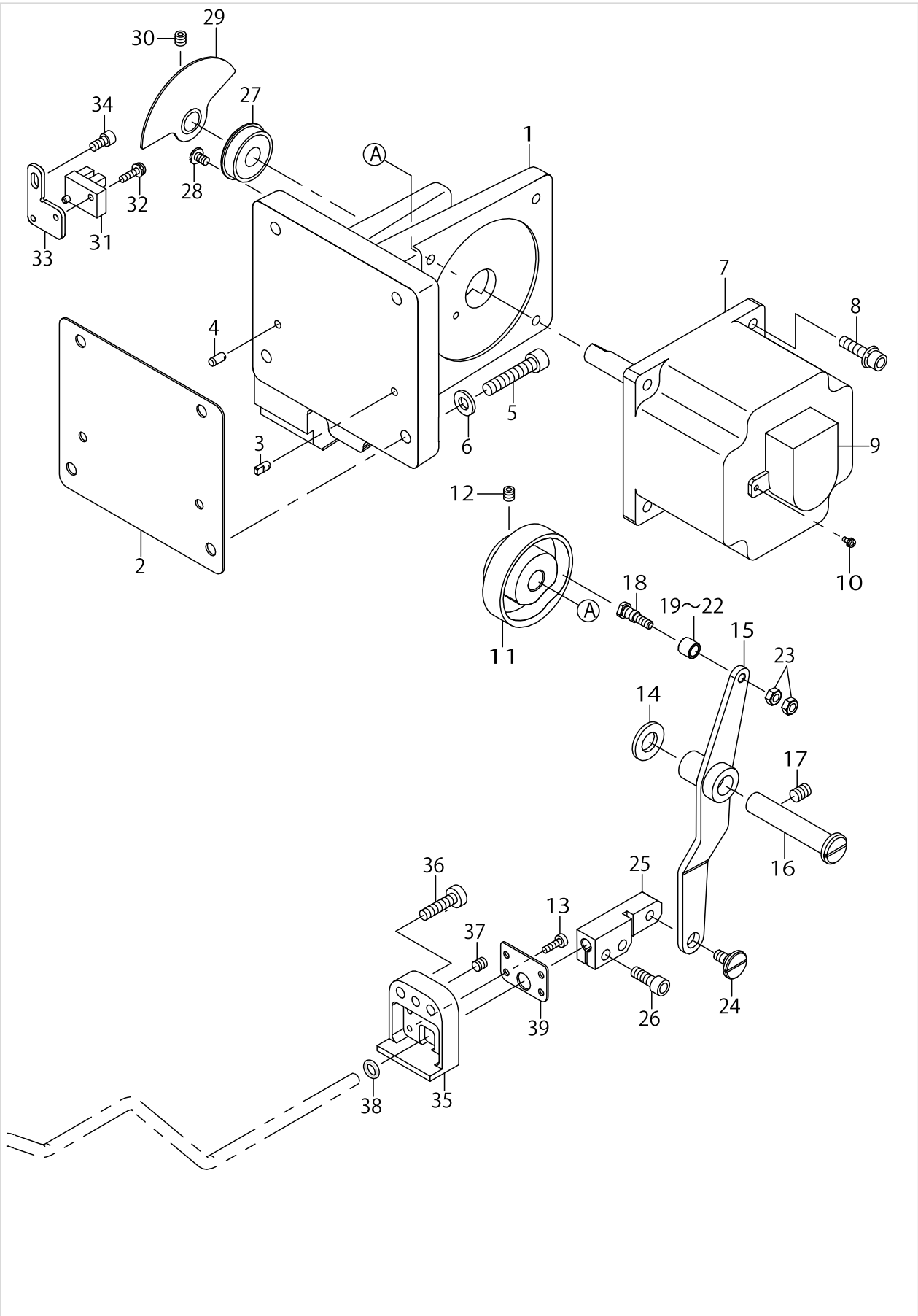
# THREAD TRIMMER MECHANISM COMPONENTS (1)



THREAD TRIMMER MECHANISM COMPONENTS (1)

No.	Supply Code	Parts No.	Replacement	Parts name	Remarks	Choice	Step	Level	Cons	Qty	Rep. QTY
47		40116246		PICKER BASE						1	
48		PC022403E00		INSERT RING 0.5						2	

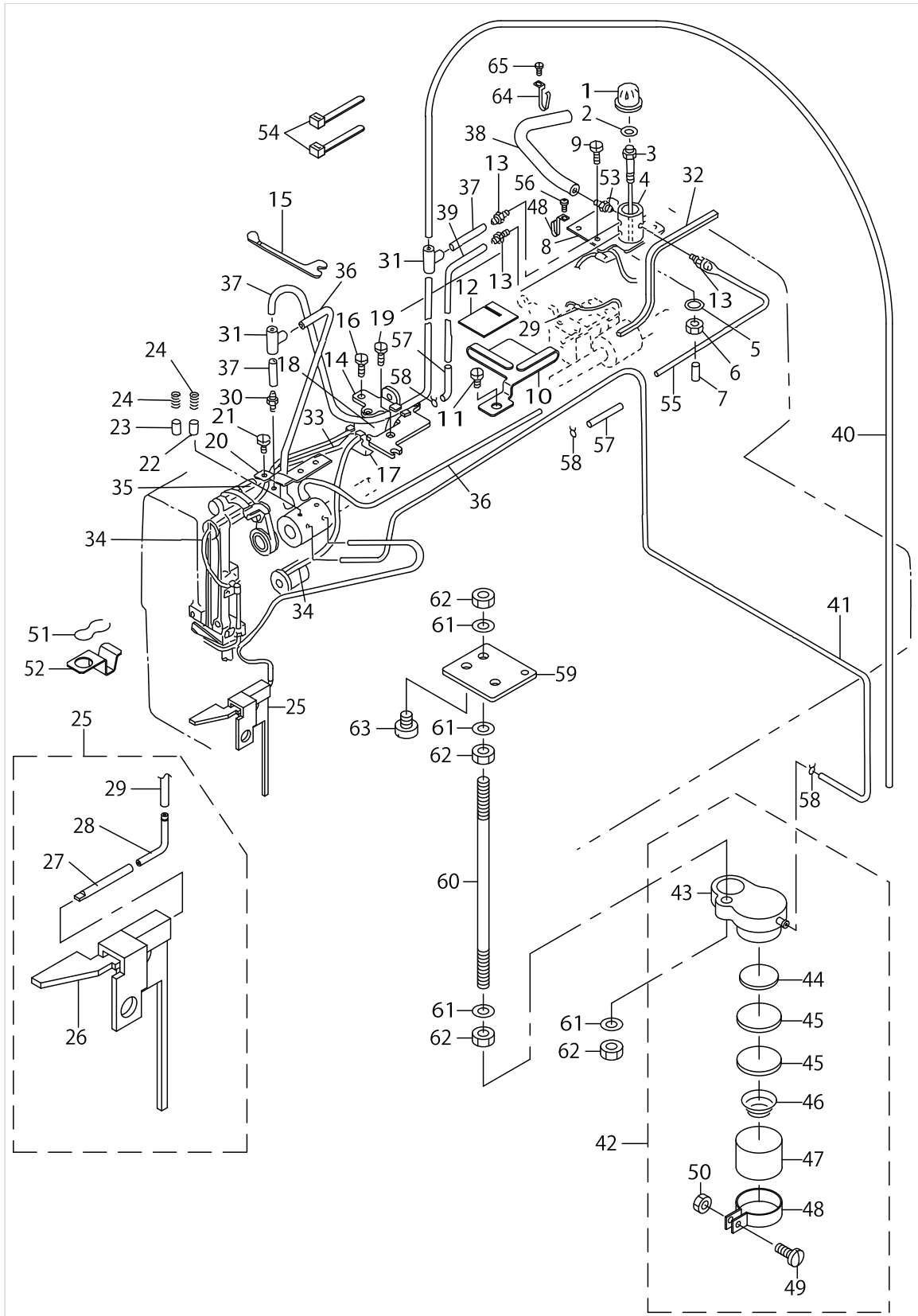
THREAD TRIMMER MECHANISM COMPONENTS (2)



THREAD TRIMMER MECHANISM COMPONENTS (2)

No.	Supply Code	Parts No.	Replacement	Parts name	Remarks	Choice	Step	Level	Cons	Qty	Rep. QTY
1		40116036		SOLENOID BASE						1	
2		40116037		SOLENOID BASE CUSHION						1	
3		13301908		DOWEL PIN						1	
4		13302500		DOWEL PIN 2						1	
5		SM6063002TP		SCREW M6 L=30						4	
6		WP0641601SC		WASHER M6						4	
7		40071944		STEPPING MOTOR						1	
8		SL6052092TN		SCREW M5 L=20						4	
9		HD002780000		SENSOR						1	
10		SL4020591SC		SCREW M2 L=5						2	
11		40116038		THREAD TRIMMER CAM						1	
12		SM8050592TP		SCREW						2	
13		SM6031010SC		SCREW M3X0.5 L=10						4	
14		40078113		COLLAR						1	
15		40072228		THREAD TRIMMER LINK ASM.						1	
16		40023624		THREAD TRIMMER SHAFT						1	
17		SM8060812TP		SCREW M6 L=8						2	
18		40040256		CAM ROLLER SHAFT						1	
19		23517501		NEEDLE CAM ROLLER A						1	
20		23517600		NEEDLE CAM ROLLER B						1	
21		23517709		NEEDLE CAM ROLLER C						1	
22		23517808		NEEDLE CAM ROLLER D						1	
23		NM6040001SP		NUT M4X0.7 TYPE1						2	
24		SD0800327TP		SHOULDER SCREW D=8 H=3.2						1	
25		40116041		CONNECTING BAR JOINT						1	
26		SM6051402TP		SCREW M5X0.8 L=14						2	
27		SB110002400		BEARING						1	
28		SM6040650TP		SCREW						1	
29		40116042		SENSOR SLIT ASM.						1	
30		SM8050592TP		SCREW						2	
31		HD00057000A		SENSOR						1	
32		SL4031291SC		SCREW M3 L=12						1	
33		40010443		SENSOR INSTALLING BASE						1	
34		SM6040802TP		SCREW M4X0.7 L=8						1	
35		40116247		COUPLING SHAFT OIL BASE						1	
36		SM6052010SC		SCREW M5X0.8 L=20						2	
37		SM8050502TP		SCREW M5 L=5						1	
38		RO055200100		O-RING						1	
39		40116248		OIL SEAL RUBBER PLATE						1	

LUBRICATION COMPONENTS (1)

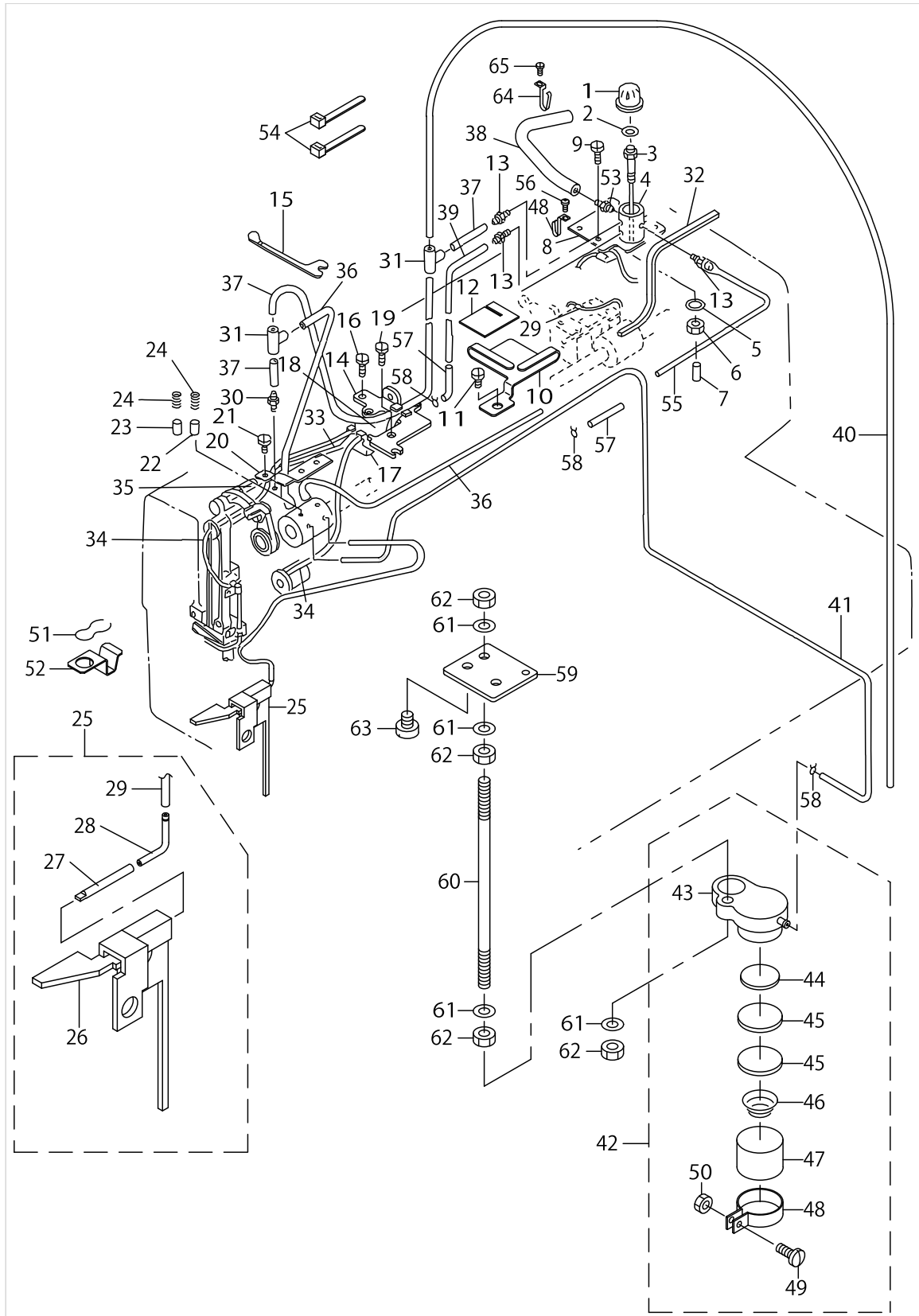


LUBRICATION COMPONENTS (1)

No.	Supply Code	Parts No.	Replacement	Parts name	Remarks	Choice	Step	Level	Cons	Qty	Rep. QTY
1		13765904		OIL WINDOW						1	
2		RO098190100		RUBBER RING						1	
3		13765706		SHAFT SUPPORTER						1	
4		13765805		SHAFT						1	
5		RO036080200		RUBBER RING						1	
6		NS6110420SP		NUT 11/64-40						1	
7		TA0180401M0		NEEDLE COOLER PLUG CAP						1	
8		G3531875000		FITTING PLATE						1	
9		SS4120615SP		SCREW 3/16-28 L=6						2	
10		13940804		FELT GUIDE B						1	
11		SS4120615SP		SCREW 3/16-28 L=6						1	
12		G3522870000		HOOK FELT						1	
13		SQ1110402MZ		CONNECTING SCREW						3	
14		13751607		STOPPER PLATE						1	
15		13767603		UPPER FACE COVER PACKING						1	
16		SS6120940SP		SCREW 3/16-28 L=9						2	
17	D	13766407		OIL TANK B						1	
18		13766506		OIL TANK B FELT						2	
19		SS7110350SP		SCREW 11/64-40 L=3.5						1	
20		13766605		THRUST PLATE						1	
21		SS7150740SP		SCREW 15/64-28 L=7						1	
22		13767405		PLUNGER						1	
23		B3534155000		PLUNGER						1	
24		B1214038000		PLUNGER SPRING						2	
25		G35178750A0		FACE PLATE OIL FELT ASM.						1	
26		G3517875000		FACEPLATE OIL FELT				*		1	
27		13941307		OIL RETURN FELT PIPE				*		1	
28		13728506		OIL RETURN FELT CONNEC. PIPE				*		1	
29		BT0500300EG		OIL TUBE				*		0.2	
30		SQ1120451MZ		CONNECTING SCREW						1	
31		13765607		OIL CONNEC. ARM						2	
32		B3541012000		OIL WICK						1	
33		CQ303000000		OIL WICK						.8	
34		CQ202000000		OIL WICK						1.4	
35		CQ3000000F0		OIL FELT						.04	
36		BT0500300EG		OIL TUBE						.24	
37		BT0500300EA		OIL TUBE						.24	
38		BT0500300EA		OIL TUBE						.14	
39		BT0500300EA		OIL TUBE						.21	
40		BT0500300EA		OIL TUBE						.65	
41		BT0500300EA		OIL TUBE						.8	
42		13941653		OIL PUMP BASE ASM.						1	
43		13941604		OIL PUMP BASE				*		1	
44		B3570771000		FILTER				*		1	
45	D	13765201		OIL FILTER				*		2	
46		B3118352000		THREAD TENSION SPRING				*		1	



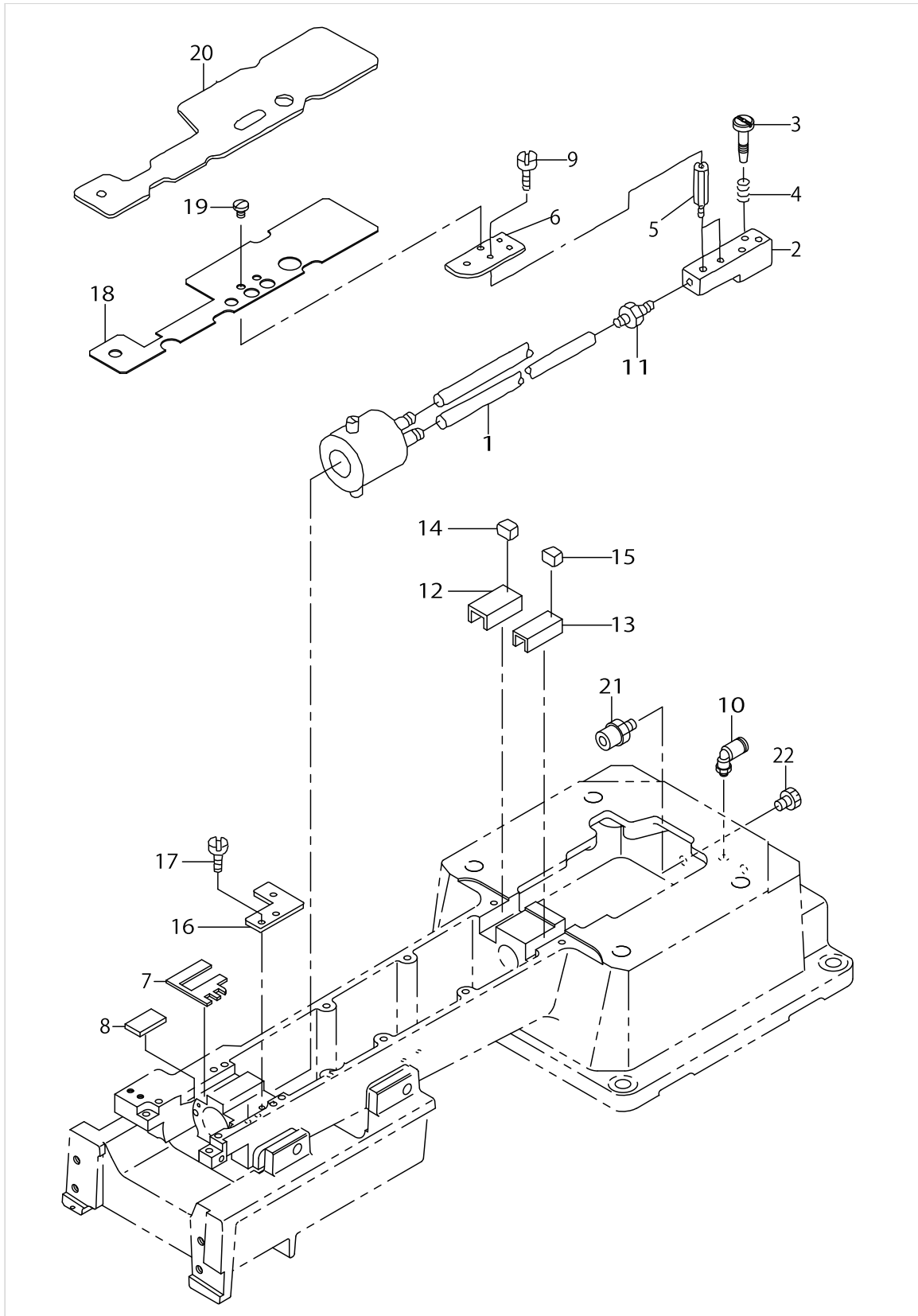
LUBRICATION COMPONENTS (1)



LUBRICATION COMPONENTS (1)

No.	Supply Code	Parts No.	Replacement	Parts name	Remarks	Choice	Step	Level	Cons	Qty	Rep. QTY
47	R	13941802	13941653	FILTER				*		1	1.00
48	R	B1850512000	40009379	BUSHING HOLDER				*		1	1.00
49		SS6090910SP		SCREW 9/64-40 L=9				*		1	
50		NS6090310SP		NUT 9/64-40				*		1	
51		22925101		OIL FELT PRESSER						1	
52	D	G3516875000		FACE PLATE OIL FELT PRESSER						1	
53		SQ1110451MZ		CONNECTING SCREW						1	
54		EA9500B0100		CABLE BAND						2	
55		BT0500300EA		OIL TUBE						.1	
56		SS4110515SP		SCREW 11/64-40 L=5						1	
57		13940903		OIL WICK A						2	
58		10126803		OIL TUBE HOLDER						3	
59		40116249		OIL BASE FITTING PLATE						1	
60		40116250		OIL BASE FITTING SHAFT						1	
61		WP0531000SC		WASHER 5.3X10X1						4	
62		NM6050003SC		NUT M5X0.8						4	
63		SS6120620TP		SCREW						2	
64		B3508220000		OIL TUBE HOLDER						2	
65		SS4120615SP		SCREW 3/16-28 L=6						1	

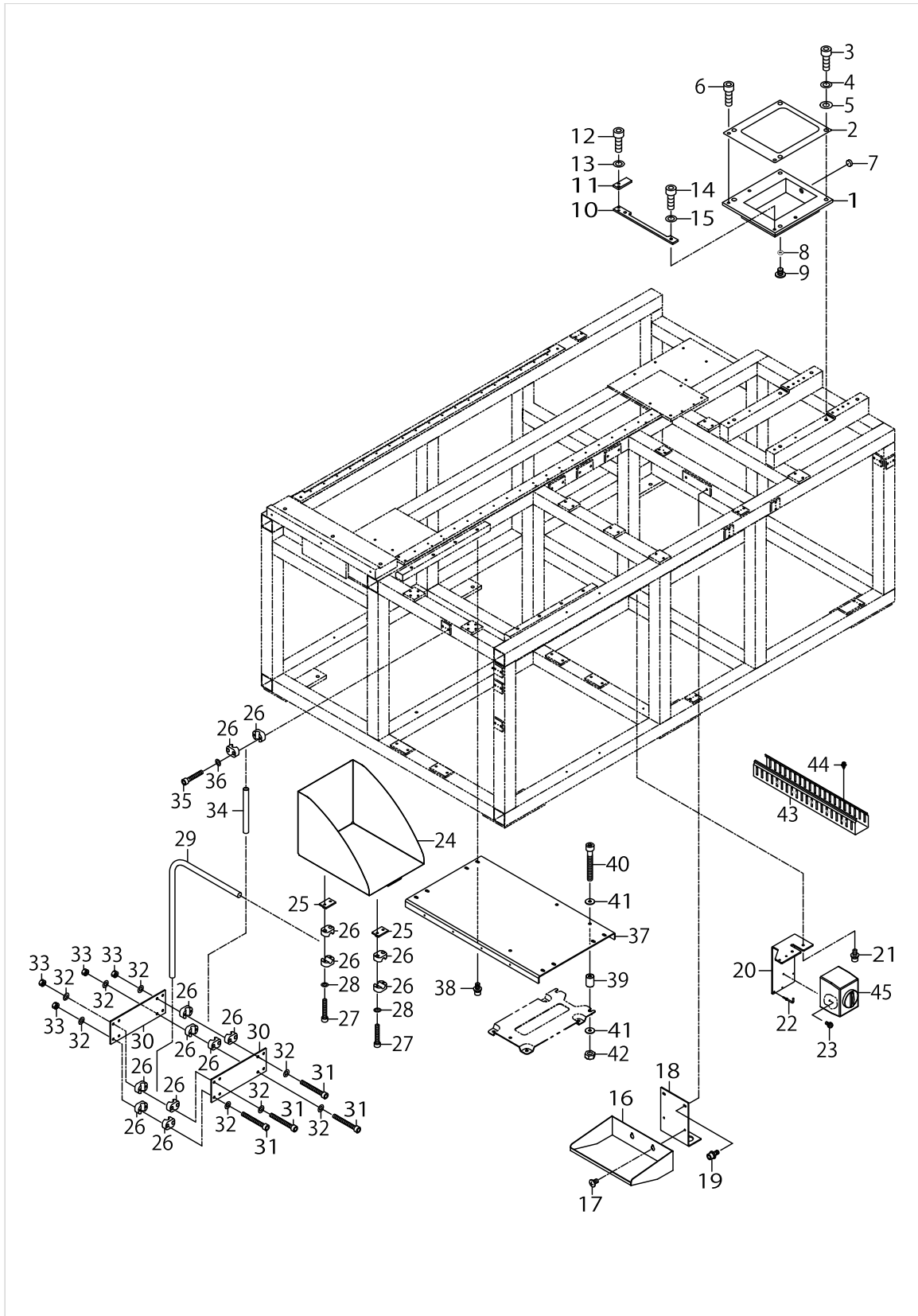
LUBRICATION COMPONENTS (2)



LUBRICATION COMPONENTS (2)

No.	Supply Code	Parts No.	Replacement	Parts name	Remarks	Choice	Step	Level	Cons	Qty	Rep. QTY
1		BT0500300EG		OIL TUBE						.09	
2		G3515870000		HOOK OILING MANIFOLD						1	
3		22925002		OIL REGULATOR SCREW						1	
4		22924906		OIL REGULATOR SCREW SPRING						1	
5		G3514870000		STUD						2	
6	D	G3513870000		BYLANE FITTING PLATE						1	
7		G3528875000		STOPPER RUBBER A						1	
8		G3529875000		STOPPER RUBBER B						1	
9		SS6110610TP		SCREW 11/64-40 L=6						2	
10		PJ304040504		UNION						1	
11		SQ1110401MZ		CONNECTING SCREW						1	
12		G3526870000		OIL SUPPLY PLATE, A						1	
13		G3527870000		OIL SUPPLY PLATE, B						1	
14		G3528870000		PLUG, A						1	
15		G3529870000		PLUG, B						1	
16		G3520870000		OILING HOUSING FIXING PLATE						1	
17		SS7120710SP		SCREW 3/16-28 L=7						2	
18		40116257		LOWER SHAFT BAF- FLE HOLDING PLATE						1	
19		SS7110510SP		SCREW 11/64-40 L=5						2	
20		G3519870000		LOWER SHAFT BAFFLE						1	
21		PJ032052503		HOSE NIPPLE						1	
22		PJ020500001		PLUG						4	

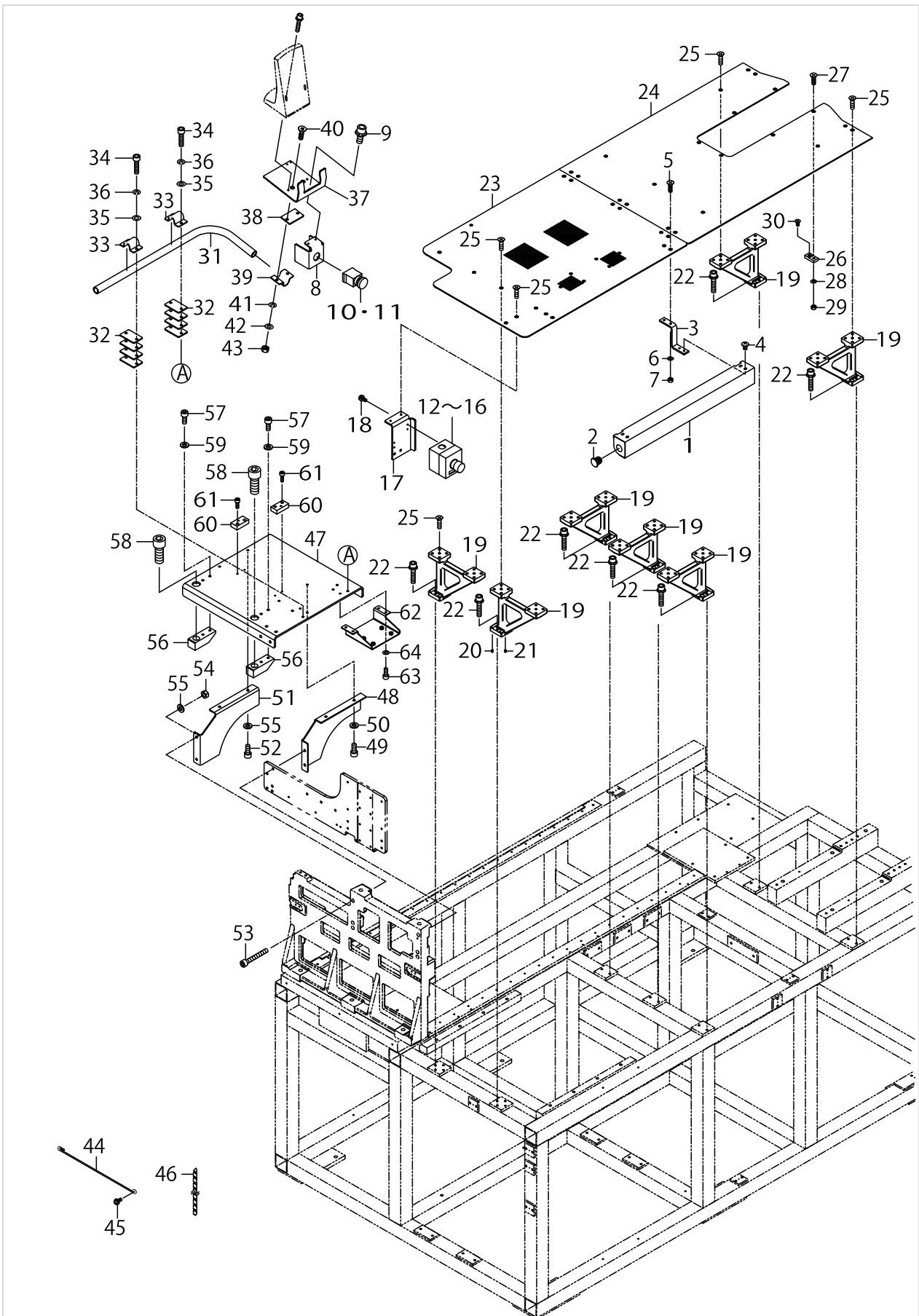
MAIN BODY COVER COMPONENTS (1)



MAIN BODY COVER COMPONENTS (1)

No.	Supply Code	Parts No.	Replacement	Parts name	Remarks	Choice	Step	Level	Cons	Qty	Rep. QTY
1		40116033		OIL PAN						1	
2		40116548		BACK COVER PACKING						1	
3		SM6104502TP		SCREW M10 L=45						4	
4		WS1020002KN		SPRING WASHER M10						4	
5		WP1052001SC		WASHER 10						4	
6		SM6041202TN		SCREW M4X0.7 L=12						4	
7		B1172581000A		CHAMBER OIL SIGHT GAUGE						1	
8		13170105		RUBBER RING						1	
9		SM0081001SD		SCREW						1	
10		G8011870000		BED STOPPER A						1	
11		G8012870000		BED STOPPER B						1	
12		SM6061602TP		SCREW M6 L=16						2	
13		WP0641601SC		WASHER M6						2	
14		SM6062502TN		SCREW						2	
15		WP0641601SC		WASHER M6						2	
16		G8113875000		OIL RESERVOIR						1	
17		SM0050801SC		SCREW						2	
18		40116214		OIL PAN INSTALLING PLATE						1	
19		SL6061492TN		SCREW M6 L=14						2	
20		40116172		MAIN SW BRACKET						1	
21		SL6061492TN		SCREW M6 L=14						2	
22		G5026162000		HOOK						1	
23		SL4041081SC		SCREW M4 L=10						2	
24		40116219		POCKET PUTTING STAND						1	
25		G7525870000		PIPE CLAMP LOWER PLATE						2	
26		G7524870000		PIPE CLAMP MAIN BODY						14	
27	R	SM6063502TN	SM6063502TP	HEXAGONAL-HOLE BOLT M6 L=35						4	1.00
28		WP0641600SC		WASHEW6.4X12.5X1.6						4	
29		G7515870000		GARMENT PRESSER HOLDER PIPE						1	
30		G8018875000		POCKET PUT BASE SUPPORT PLATE						2	
31		SM6065002TP		SCREW M6 L=50						8	
32		WP0641601SC		WASHER M6						16	
33		NM6060001SC		NUT M6X1 TYPE1						8	
34		G7521870000		GARMENT CLEARING ARM STOPPER						1	
35	R	SM6063502TN	SM6063502TP	HEXAGONAL-HOLE BOLT M6 L=35						2	1.00
36		WP0641600SC		WASHEW6.4X12.5X1.6						2	
37		40116220		CONTROLL BOX PLATE						1	
38		SL6061492TN		SCREW M6 L=14						8	
39		40093183		BOX SPACER						3	
40		SM6086002TN		SCREW						3	
41		WP0852086SC		WASHER M8						6	
42		NM6080001SC		NUT M8X1.25 TYPE1						2	
43		HX00013000C		CABLE DUCT						1	
44		HX004120000		SCREW RIVET						6	
45		HA005820000		SWITCH						1	

MAIN BODY COVER COMPONENTS (2)

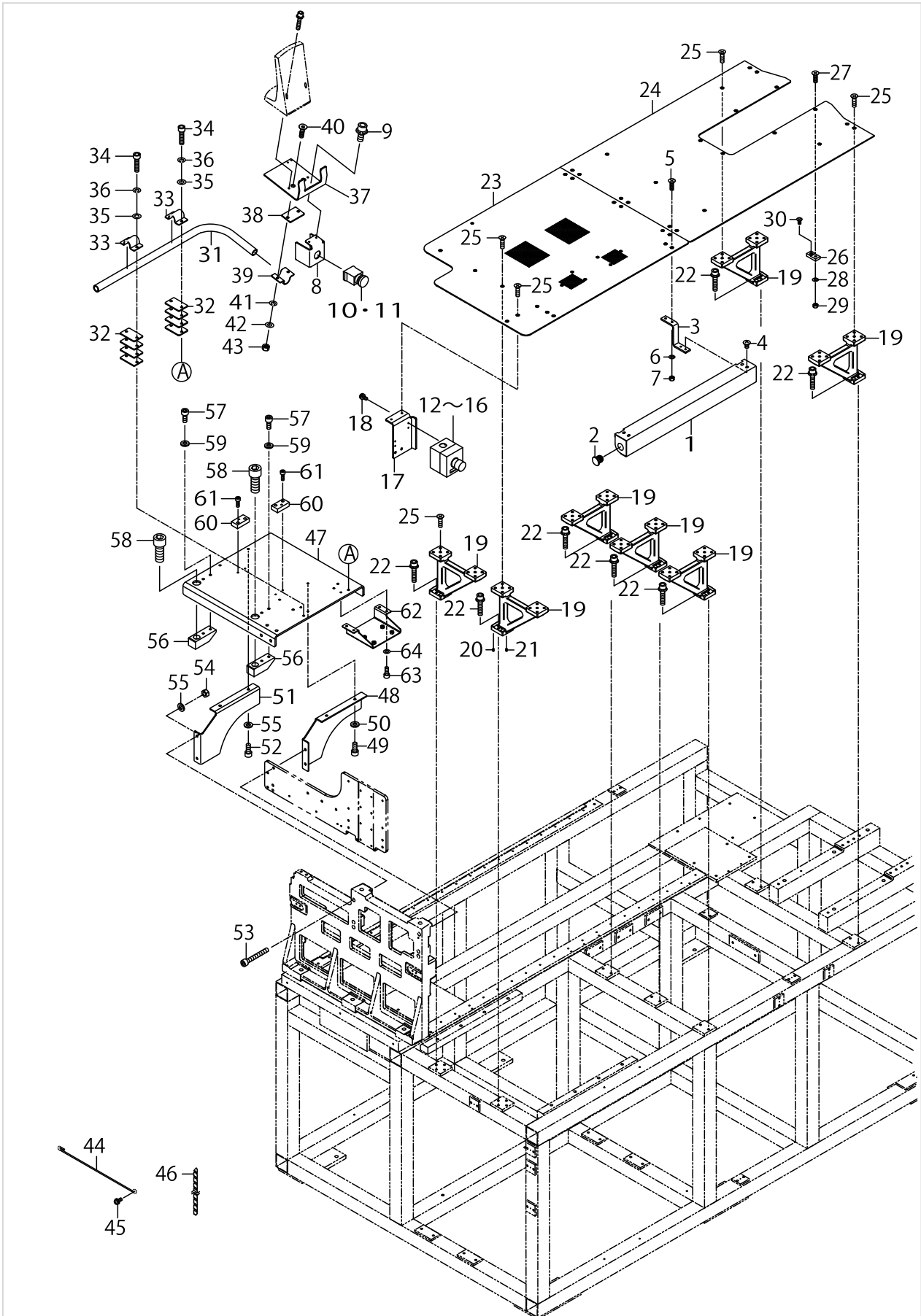


MAIN BODY COVER COMPONENTS (2)

No.	Supply Code	Parts No.	Replacement	Parts name	Remarks	Choice	Step	Level	Cons	Qty	Rep. QTY
1		G8013875000		START SW FITTING PLATE						1	
2		HA004290000		SWITCH						2	
3		G8014875000		START SW FIXING PLATE						2	
4		SM0050801SC		SCREW						4	
5		SM1051601SC		SCREW M5X0.8 L=16						4	
6		WP0531001SC		WASHER M5						4	
7		NM6050001SC		NUT M5X0.8 TYPE1						4	
8		40116217		TEMPORARY STOP BRACKET						1	
9		SL6041092TN		SCREW M4 L=10						2	
10		HA00006000C		SWITCH						1	
11		HA004290010		SWITCH						1	
12		HA006280000		SWITCH						1	
13		HA006280010		SWITCH						1	
14		HA006280020		SWITCH						1	
15		HA006280030		SWITCH						1	
16		40091335		OFF SW BOX GND PLATE						1	
17		40116218		EMERGENCY STOP SW BRACKET						1	
18		SL4041091SC		SCREW M4 L=10						2	
19		40115898		TABLE SUPPORT						7	
20		13302500		DOWEL PIN 2						2	
21		13301908		DOWEL PIN						2	
22		SL6063092TN		SCREW M6 L=30						14	
23		72000082		TABLE_A						1	
24		40116176		TABLE B						1	
25		SM1051201SC		SCREW M5X0.8 L=12						28	
26		G8010875000		THROAT PLATE FIXING PLATE						6	
27		SM1051601SC		SCREW M5X0.8 L=16						6	
28		WP0531001SC		WASHER M5						6	
29		NM6050001SC		NUT M5X0.8 TYPE1						6	
30		SM1040801SP		SCREW M4X0.7 L=8						6	
31		40116215		OPERATION PANEL PIPE						1	
32		G1016192000		CLAMP BOTTOM PLATE						8	
33		G1015192000		CLAMP						2	
34		SM6062502TN		SCREW						4	
35		WP0641601SC		WASHER M6						4	
36		WS0610002KN		SPRING WASHER M6						4	
37		40116216		PANEL PLATE						1	
38		G1016192000		CLAMP BOTTOM PLATE						1	
39		G1015192000		CLAMP						1	
40		SM1062052TP		SCREW M6 L=20						2	
41		WS0610002KN		SPRING WASHER M6						2	
42		WP0641601SC		WASHER M6						2	
43		NM6060001SC		NUT M6X1 TYPE1						2	
44		40105167		PANEL ROD						1	
45		SL4041081SC		SCREW M4 L=10						2	
46		G5454161000		SPIRAL TUBE						.2	



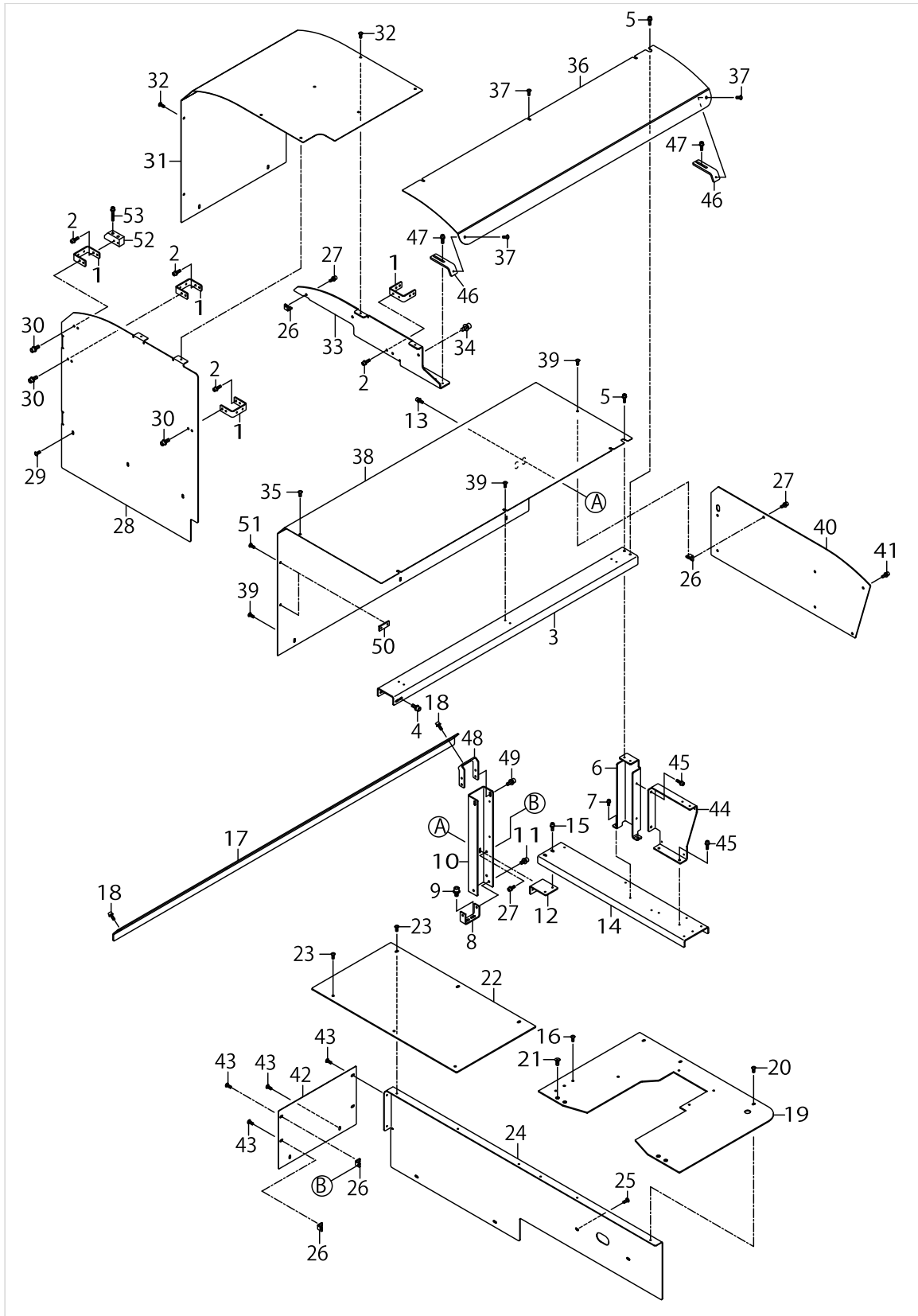
MAIN BODY COVER COMPONENTS (2)



MAIN BODY COVER COMPONENTS (2)

No.	Supply Code	Parts No.	Replacement	Parts name	Remarks	Choice	Step	Level	Cons	Qty	Rep. QTY
47		72000052		COVER_SUPPORT_BASE						1	
48		72000053		COVER_BASE_BEAM_B						1	
49		SM6061402TP		SCREW M6 L=14						4	
50		WP0641601SC		WASHER						4	
51		72000054		COVER_BASE_BEAM_A						1	
52		SM6061402TP		SCREW M6 L=14						2	
53		SM6064502TP		SCREW M6 L=45						2	
54		NM6060001CP		NUT M6						2	
55		WP0641601SC		WASHER						4	
56		72000055		BLOCK						2	
57		SM6061402TP		SCREW M6 L=14						4	
58		SM6123002TN		SCREW M12 L=30						2	
59		WP0641601SC		WASHER						4	
60		72000056		COVER_FITTING_BLOCK						2	
61		SM6041202TP		SCREW M4X0.7 L=12						4	
62		72000059		MARKING_LINE_BASE						1	
63		SM6051202TP		SCREW M5X0.8 L=12						4	
64		WP0531001SC		WASHER M5						4	

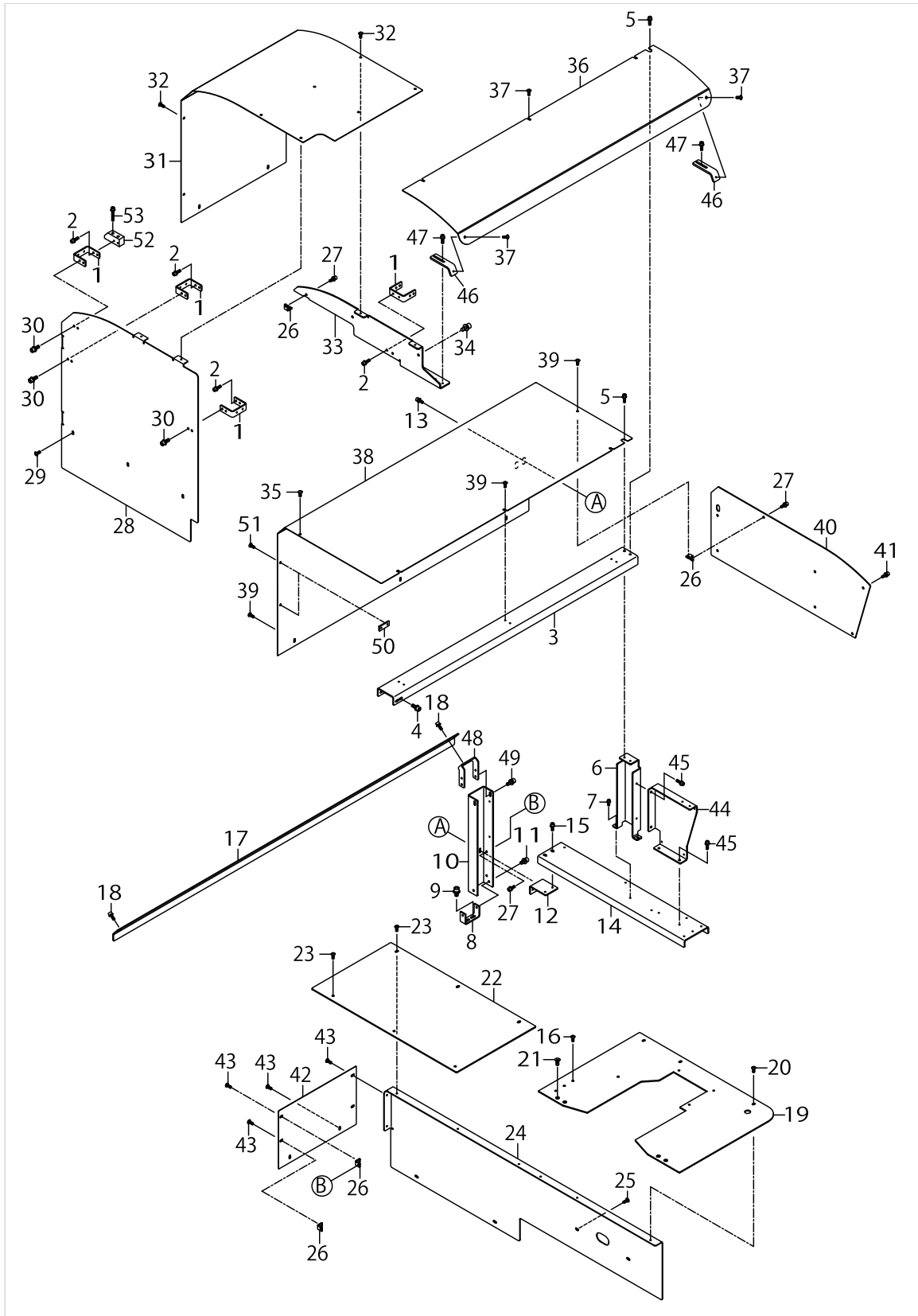
FRAME COVER COMPONENTS



FRAME COVER COMPONENTS

No.	Supply Code	Parts No.	Replacement	Parts name	Remarks	Choice	Step	Level	Cons	Qty	Rep. QTY
1		40116401		COVER STAY E						4	
2		SL6041492TN		SCREW M4 L=14						8	
3		40116402		COVER STAY A						1	
4		SL6051492TN		SCREW M5 L=14						4	
5		SL6041492TN		SCREW M4 L=14						2	
6		40116403		COVER STAY D						1	
7		SL6051492TN		SCREW M5 L=14						2	
8		40116404		TABLE SUPPORT B						1	
9		SL6061292TN		SCREW M6 L=12						2	
10		40116405		COVER STAY B						1	
11		SL6051292TN		SCREW M5 L=12						2	
12		40116406		COVER STAY C SUPPORT PLATE						1	
13		SL6041292TN		SCREW M4 L=12						2	
14		40116407		COVER STAY C						1	
15		SL6041292TN		SCREW M4 L=12						2	
16		SM0041001SC		SCREW M4 L=10						3	
17		40116408		COVER STAY						1	
18		SL6041292TN		SCREW M4 L=12						3	
19		40116177		COVER SFR						1	
20		SM0041001SC		SCREW M4 L=10						3	
21		SM1051201SC		SCREW M5X0.8 L=12						4	
22		40116409		COVER RIGHT						1	
23		SM0041001SC		SCREW M4 L=10						6	
24		40116410		COVER RIGHT A						1	
25		SM0041001SC		SCREW M4 L=10						4	
26		40075985		COVER ANGLE						4	
27		SL6041292TN		SCREW M4 L=12						4	
28		40116411		SIDE COVER LEFT LARGE						1	
29		SM0041001SC		SCREW M4 L=10						3	
30		SL6051492TN		SCREW M5 L=14						6	
31		40116412		COVER LEFT						1	
32		SM0041001SC		SCREW M4 L=10						12	
33		40116413		SIDE COVER LEFT SMALL						1	
34		SL6061492TN		SCREW M6 L=14						2	
35		SM0041001SC		SCREW M4 L=10						1	
36		40119074		FRONT COVER						1	
37		SM0041001SC		SCREW M4 L=10						5	
38		40116415		TOP COVER						1	
39		SM0041001SC		SCREW M4 L=10						11	
40		40116416		RIGHT COVER						1	
41		SM0041001SC		SCREW M4 L=10						7	
42		40116417		REAR COVER						1	
43		SM0041001SC		SCREW M4 L=10						6	
44		40116418		COVER STAY F						1	
45		SL6041492TN		SCREW M4 L=14						4	
46		40116419		COVER STAY H						2	

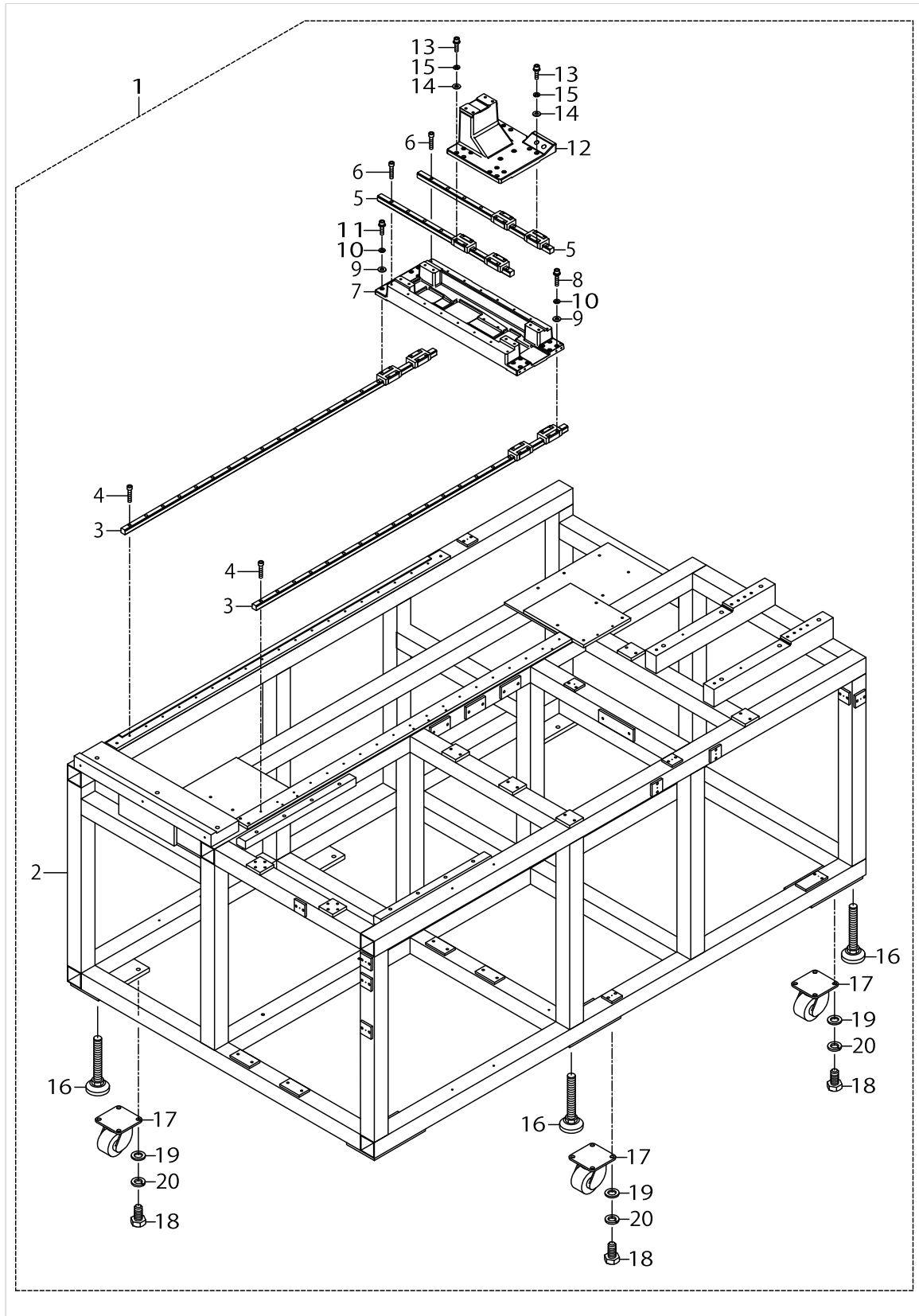
FRAME COVER COMPONENTS



FRAME COVER COMPONENTS

No.	Supply Code	Parts No.	Replacement	Parts name	Remarks	Choice	Step	Level	Cons	Qty	Rep. QTY
47		SL6041492TN		SCREW M4 L=14						4	
48		40116420		COVER STAY G						1	
49		SL6051492TN		SCREW M5 L=14						2	
50		40116421		COVER STAY K						2	
51		SM0041001SC		SCREW M4 L=10						4	
52		40116422		COVER STAY BASE						1	
53		SL6064092TN		SCREW M6 L=40						2	

# MAIN BODY FRAME COMPONENTS

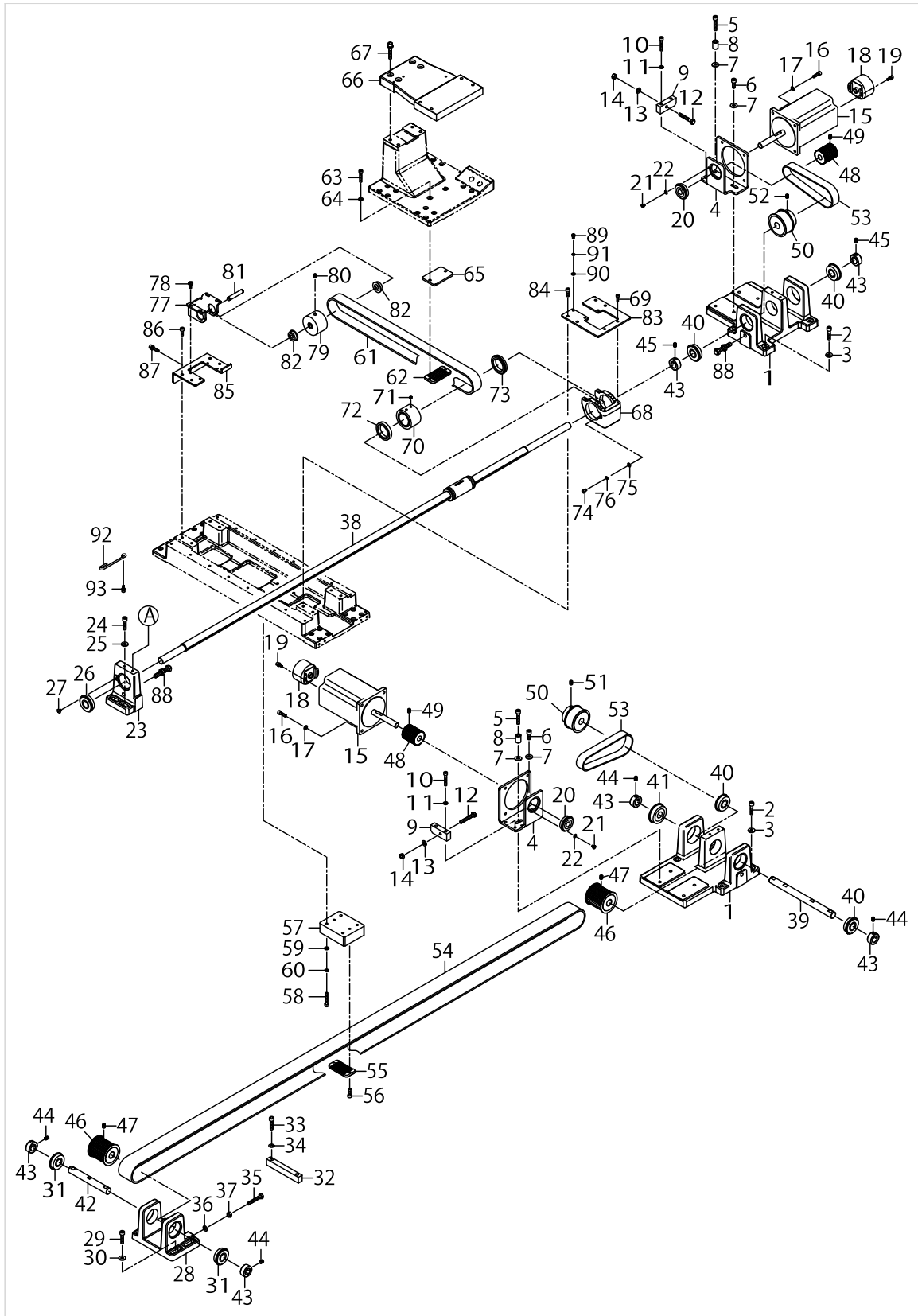


MAIN BODY FRAME COMPONENTS

No.	Supply Code	Parts No.	Replacement	Parts name	Remarks	Choice	Step	Level	Cons	Qty	Rep. QTY
1		40116044		ASSY FRAME						1	
2		40115899		FRAME				*		1	
3		40116045		X-LM GUIDE				*		2	
4		SM6042002TP		SCREW M4X0.7 L=20				*		38	
5		40116046		Y-LM GUIDE				*		2	
6		SM6042002TP		SCREW M4X0.7 L=20				*		16	
7		40116047		X FEED BASE				*		1	
8		SM6042002TP		SCREW M4X0.7 L=20				*		8	
9		WP0450801SD		WASHER 4.5X10X0.8				*		16	
10		WS0410002KP		SPRING WASHER				*		16	
11		SM6041602TP		SCREW M4X0.7 L=16				*		8	
12		40116048		Y FEED BASE A				*		1	
13		SM6041602TP		SCREW M4X0.7 L=16				*		16	
14		WP0450801SD		WASHER 4.5X10X0.8				*		16	
15		WS0410002KP		SPRING WASHER				*		16	
16		G5030171000		ADJUSTING BOLT				*		6	
17		G5006870000		CASTER				*		6	
18		SM9102003SB		SCREW M10 L=20				*		24	
19		WP1052000SC		WASHER 10.5X18X2				*		24	
20		WS1020002KN		SPRING WASHER M10				*		24	



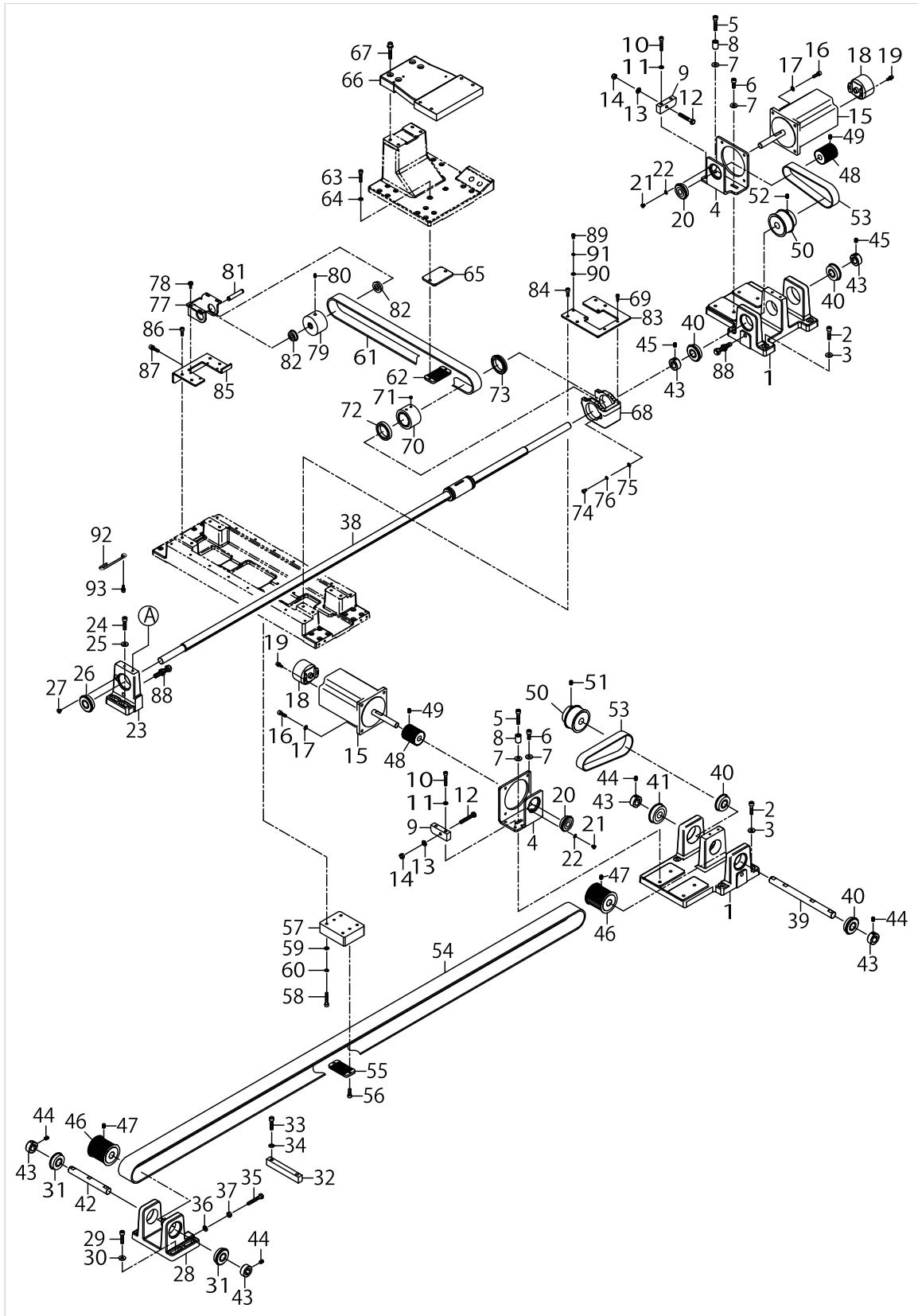
X-Y DRIVER UNIT (1)



X-Y DRIVER UNIT (1)

No.	Supply Code	Parts No.	Replacement	Parts name	Remarks	Choice	Step	Level	Cons	Qty	Rep. QTY
1		40116049		BEARING BASE						2	
2		SM6062502TP		SCREW M6 L=25						8	
3		WP0611626SP		WASHER 15X6X1.6						8	
4		40116050		MOTOR BASE						2	
5		SM6063002TP		SCREW M6 L=30						2	
6		SM6061602TP		SCREW M6 L=16						2	
7		WP0611626SP		WASHER 15X6X1.6						4	
8		GAC01002A00		COLLAR						2	
9		40116051		MOTOR TENSION PLATE						2	
10		SM6053002TP		SCREW M5X0.8 L=30						4	
11		WP0531000SD		WASHER M5						4	
12		SM9064053SE		SCREW						2	
13		WP0641601SC		WASHER M6						2	
14		NM6060001SC		NUT M6X1 TYPE1						2	
15		40105099		STEPPING MOTOR						2	
16		SM6051602TP		SCREW M5X0.8 L=16						8	
17		WP0531001SC		WASHER M5						8	
18		40105098		ENCODER ASSY						2	
19		SL4030891SC		SCREW M3 L=8						4	
20		SB112000100		BEARING						2	
21		SM6040650TP		SCREW						2	
22		WP0430801SC		WASHER M4						2	
23		40116053		SPLINE SHAFT BASE						1	
24		SM6062502TP		SCREW M6 L=25						2	
25		WP0611626SP		WASHER 15X6X1.6						2	
26		B1802180000		BUSHING						1	
27		SM0040801SC		SCREW M4X8						1	
28		40116054		X PULLEY BASE						1	
29		SM6062502TP		SCREW M6 L=25						4	
30		WP0611626SP		WASHER 15X6X1.6						4	
31		B1802180000		BUSHING						2	
32		40116055		STOPPER PLATE						1	
33		SM6062502TP		SCREW M6 L=25						2	
34		WP0641601SC		WASHER M6						2	
35		SM9064053SE		SCREW						2	
36		WP0641601SC		WASHER M6						2	
37		NM6060001SC		NUT M6X1 TYPE1						2	
38		40116056		Y SPLINE SHAFT						1	
39		40116057		X DRIVE SHAFT						1	
40		B1802180000		BUSHING						4	
41		G1216870000		UPPER SHAFT REAR BEARING						1	
42		40116058		X DRIVEN SHAFT						1	
43		CS1501171TP		THRUST COLLAR D=15 W=11						6	
44		SM8060812TP		SCREW M6 L=8						8	
45		SM8060802TP		SCREW M6 L=8						4	
46		40116059		X DRIVE SPROCKET						2	

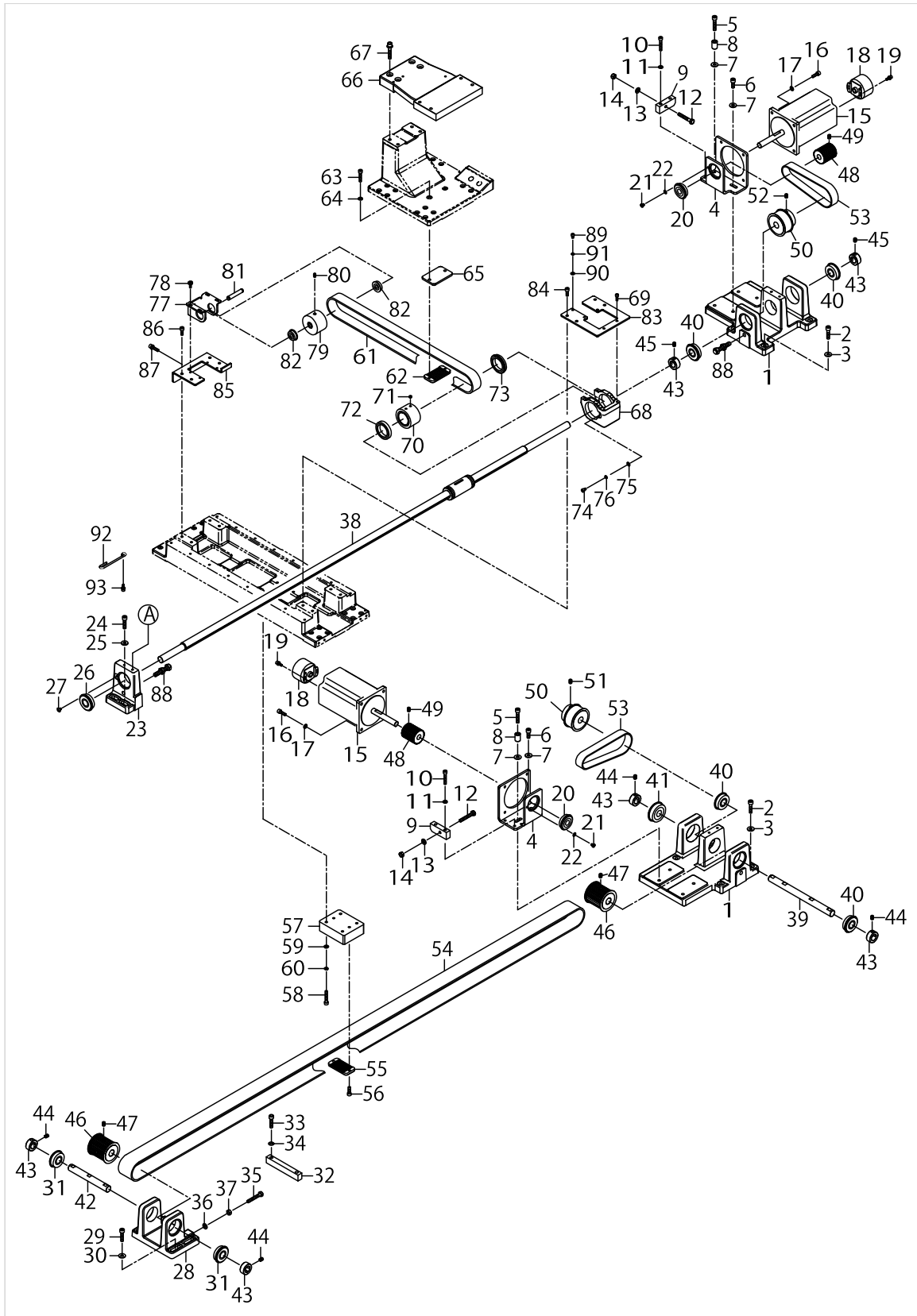
X-Y DRIVER UNIT (1)



X-Y DRIVER UNIT (1)

No.	Supply Code	Parts No.	Replacement	Parts name	Remarks	Choice	Step	Level	Cons	Qty	Rep. QTY
47		SM8060812TP		SCREW M6 L=8						4	
48		40116060		MOTOR PULLEY						2	
49		SM8060802TP		SCREW M6 L=8						4	
50		40116061		DECELERATION PULLEY						2	
51		SM8060812TP		SCREW M6 L=8						2	
52		SM8060802TP		SCREW M6 L=8						2	
53		E2314715000		TIMING BELT YA						2	
54		40116062		X TIMING BELT						1	
55		40116063		BELT RECEIVER						1	
56		SM6051602TP		SCREW M5X0.8 L=16						2	
57		40116064		X BELT PRESSER FIX PLATE						1	
58		SM6053002TP		SCREW M5X0.8 L=30						4	
59		WP0531001SC		WASHER M5						4	
60		WS0510002KN		SPRING WASHER M5						4	
61		40116065		Y TIMING BELT						1	
62		40072166		BELT RECEIVER						1	
63		SM6052502TP		SCREW M5X25						2	
64		WP0531000SD		WASHER M5						2	
65		40116066		Y BELT PRESSER FIX PLATE						1	
66		40116067		Y FEED BASE B						1	
67		SL6063592TN		SCREW M6 L=35						4	
68		B2504221D00		X DRIVE BRACKET						1	
69		SM6041202TP		SCREW M4X0.7 L=12						4	
70		40116068		Y DRIVE SPROCKET						1	
71		SM8050412TP		SCREW M5 L=4						2	
72		SB130000200		BEARING						1	
73		SB130000300		BEARING						1	
74		SM6040602TP		SCREW M4X0.7 L=6						1	
75		WP0430801SC		WASHER M4						1	
76		WS0410002KN		SPRING WASHER M4						1	
77		B2505221D00		DRIVEN BRACKET						1	
78		SM6041150TP		SCREW						4	
79		40116069		Y DRIVEN SPROCKET						1	
80		SM8050812TP		SCREW M5X8						1	
81		22687701		SPRING SHAFT						1	
82		SB108000500		BEARING						2	
83		40116070		Y DRIVE BRACKET BASE						1	
84		SM6051402TP		SCREW M5X0.8 L=14						4	
85		40116071		Y DRIVEN BRACKET BASE						1	
86		SM6051402TP		SCREW M5X0.8 L=14						4	
87		SL6052092TN		SCREW M5 L=20						1	
88		G6206875000		STOPPER BOLT						2	
89		SM6040602TP		SCREW M4X0.7 L=6						1	
90		WP0430801SC		WASHER M4						1	
91		WS0410002KP		SPRING WASHER						1	
92		40105169		XY CORD SUPPORT ROD						1	

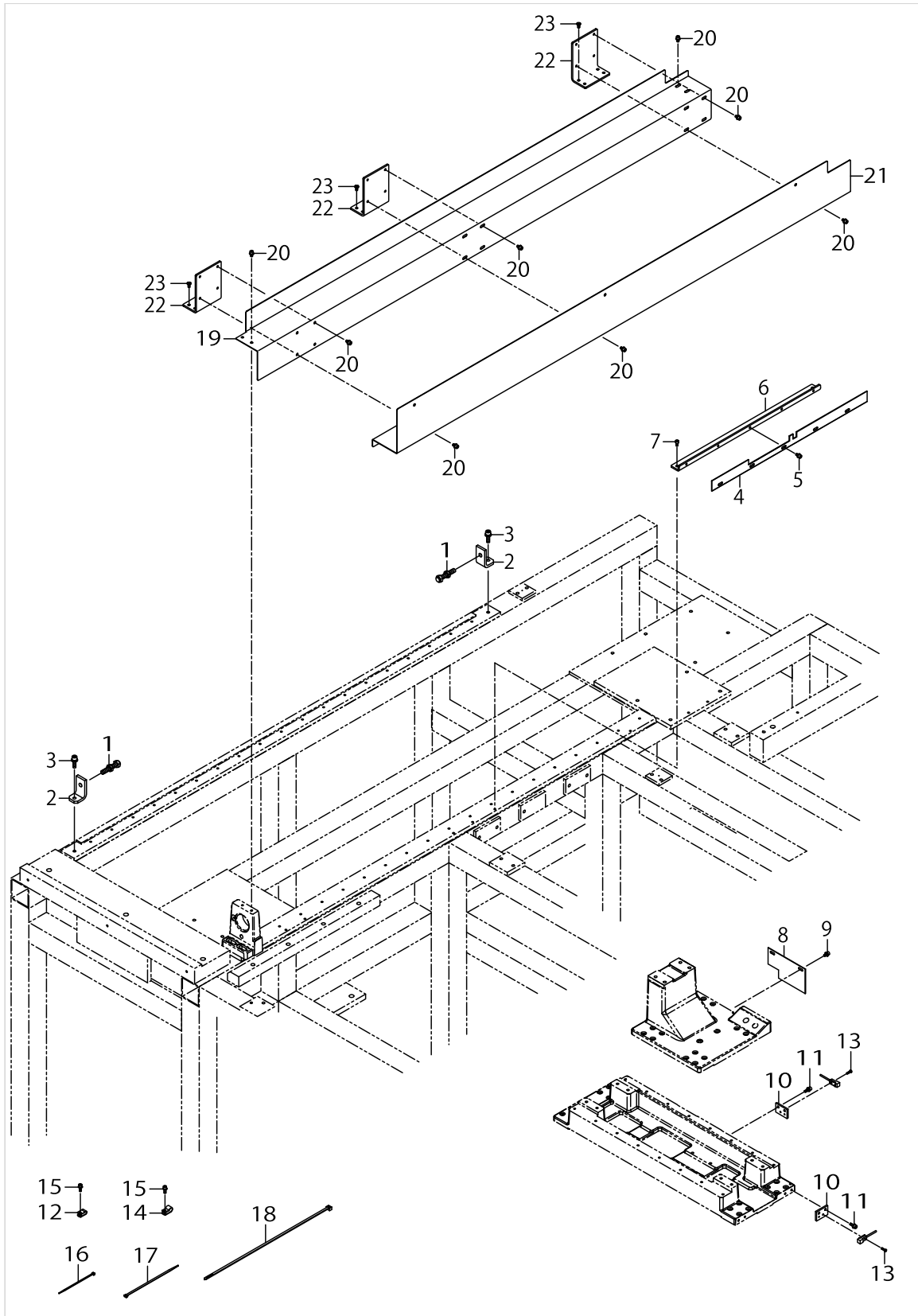
X-Y DRIVER UNIT (1)



X-Y DRIVER UNIT (1)

No.	Supply Code	Parts No.	Replacement	Parts name	Remarks	Choice	Step	Level	Cons	Qty	Rep. QTY
93		SL6041292TN		SCREW M4 L=12						2	

X-Y DRIVER UNIT (2)

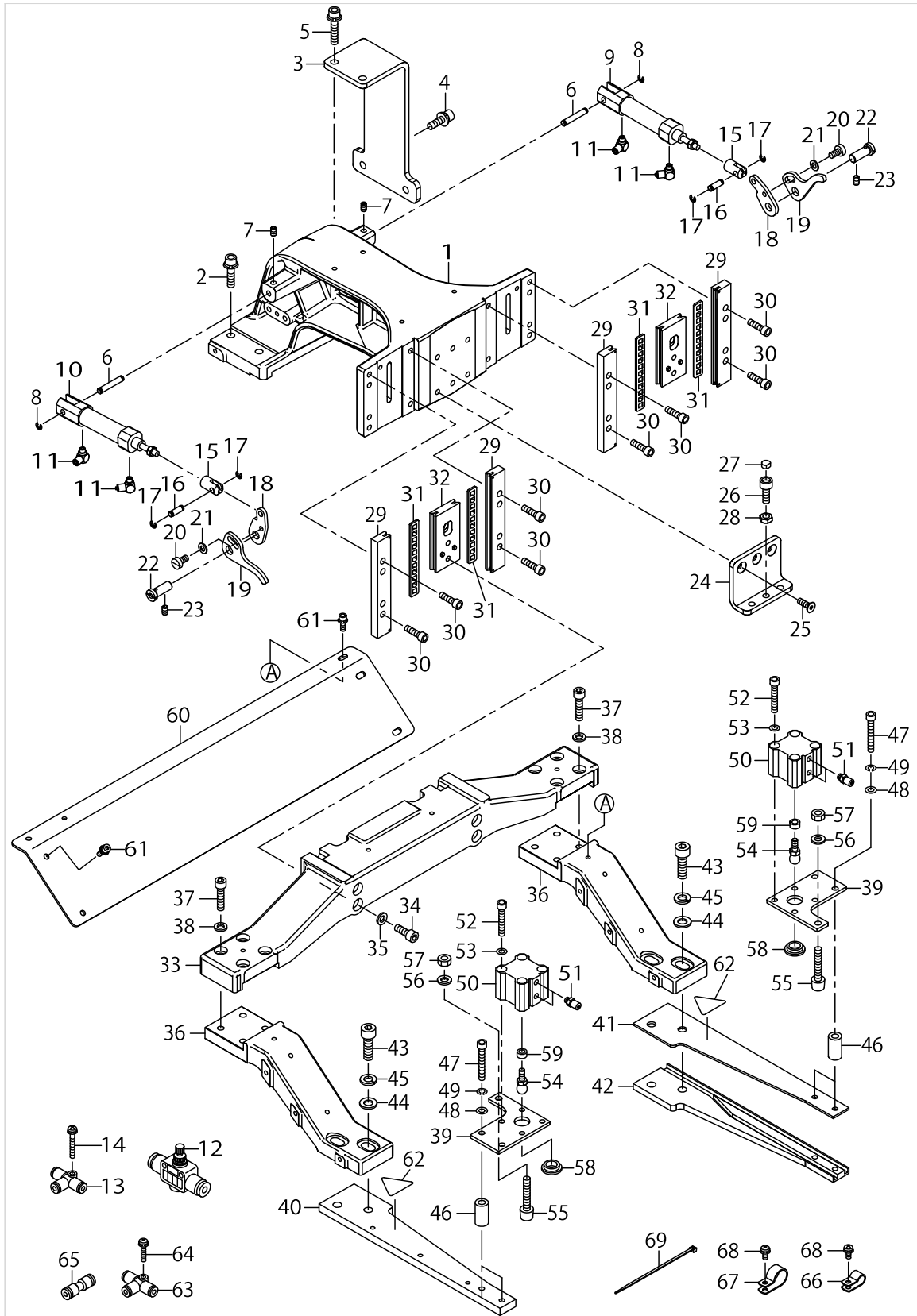


X-Y DRIVER UNIT (2)

No.	Supply Code	Parts No.	Replacement	Parts name	Remarks	Choice	Step	Level	Cons	Qty	Rep. QTY
1		G6206875000		STOPPER BOLT						2	
2		40116072		STOPPER FITTING PLATE						2	
3		SL6062092TN		SCREW M6 L=20						2	
4		72000084		X_SENSOR_SLIT						1	
5		SL6040892TN		SCREW M4 L=8						5	
6		40116074		XSLITFITTINGPLATE						1	
7		SM6040860TP		SCREW M4 L=8						2	
8		72000085		Y_SENSOR_SLIT						1	
9		SL6040892TN		SCREW M4 L=8						2	
10		40116076		SENSOR FITTING PLATE						2	
11		SL6041292TN		SCREW M4 L=12						4	
12		HX00150000A		CABLE CLAMP						3	
13		SM4031001SC		SCREW M3X0.5 L=10						2	
14		HX00150000B		CABLE CLIP						3	
15		SL6041292TN		SCREW M4 L=12						6	
16		EA9500B0100		CABLE BAND						100	
17		EA9500B0200		CABLE BAND						100	
18		G5453161000		CABLE BAND						10	
19		40116077		SPLINE SHAFT COVER A						1	
20		SL6040892TN		SCREW M4 L=8						16	
21		40116078		SPLINE SHAFT COVER B						1	
22		40116079		SPLINE SHAFT COVER FITTING PLATE						3	
23		SM6040860TP		SCREW M4 L=8						6	



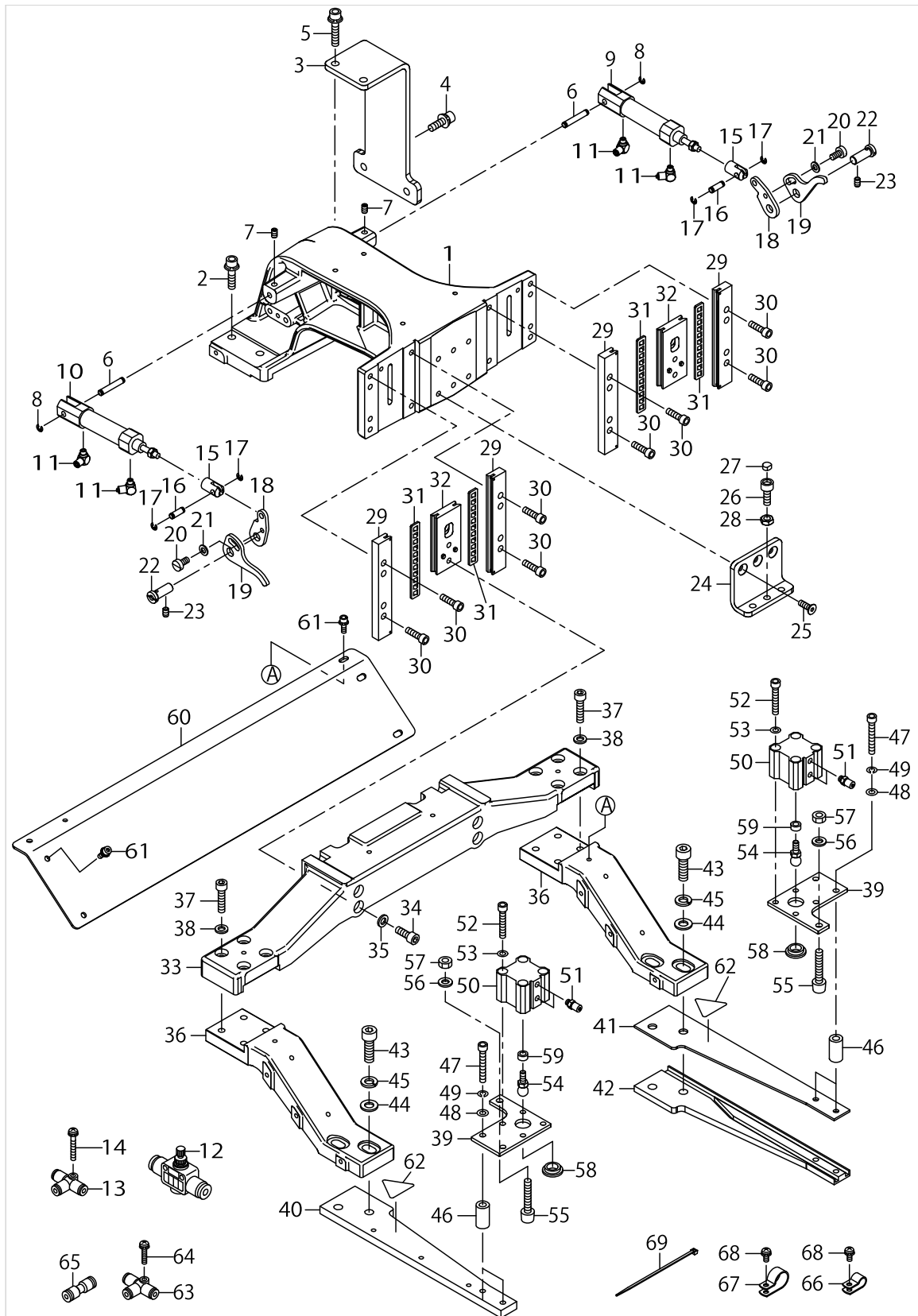
# CLOTH PRESSER COMPONENTS



CLOTH PRESSER COMPONENTS

No.	Supply Code	Parts No.	Replacement	Parts name	Remarks	Choice	Step	Level	Cons	Qty	Rep. QTY
1		40116080		CLOTH FEED BASE						1	
2		SL6062592TN		SCREW M6 L=25						2	
3		40116081		GUARD PLATE						1	
4		SL6062092TN		SCREW M6 L=20						2	
5		SL6063092TN		SCREW M6 L=30						2	
6		B1504210000		CONNECTING SHAFT						2	
7		SM8050812TP		SCREW M5X8						2	
8		RE0320000K0		E-RING 3.2						2	
9		40105072		UPPER BIG CLAMP CYLINDER ASSY						1	
10		40105073		LOWER BIG CLAMP CYLINDER ASSY						1	
11		PJ304040504		UNION						4	
12		PC012401000		SPEED CONTROLLER						2	
13		PJ305040001		T						2	
14		SL4043091SC		SCREW M4 L=30						1	
15		40023644		CYLINDER KNUCKLE						2	
16		40023635		CYLINDER PIN						2	
17		RE0300000K0		E-RING 3						4	
18		40032229		LIFTING LEVER A						2	
19		40085820		LIFTING LEVER B						2	
20		SM6051000SP		SCREW						2	
21		WP0531000SD		WASHER M5						2	
22		26023408		FEED STUD						2	
23		SM8050812TP		SCREW M5X8						2	
24		40116082		STOPPER MOUNTING PLATE						1	
25		SM1051452TN		PLATE SCREW						3	
26		40009236		STOP SCREW						2	
27		B1432761000		SWING ARM STOPPER RUBBER						2	
28		NS6150430SP		HEXAGONAL NUT 15/64-28						2	
29		40116083		WORK CLAMP FOOT PLATE B ASM.						4	
30		SM6051802TP		SCREW M5 L=18						12	
31		40116085		BEARING						4	
32		40085830		SLIDE PLATE ASM.						2	
33		40116086		FEEDING FRAME ARM A						1	
34		SM6061602TN		SCREW M6 L=16						4	
35		WP0641600SC		WASHEW6.4X12.5X1.6						4	
36		40116087		FEEDING FRAME ARM B						2	
37		SM6062502TN		SCREW						8	
38		WP0641600SC		WASHEW6.4X12.5X1.6						8	
39		G5501875000		FITTING PLATE						2	
40		G5502875000		CLOTH PRESSER ARM LEFT						1	
41		G5503875000		CLOTH PRESSER A- RM RIGHT UPPER						1	
42		G5504875000		CLOTH PRESSER A- RM RIGHT LOWER						1	
43		SM6082502TN		SCREW						4	
44		WP0841600SC		WASHER						4	

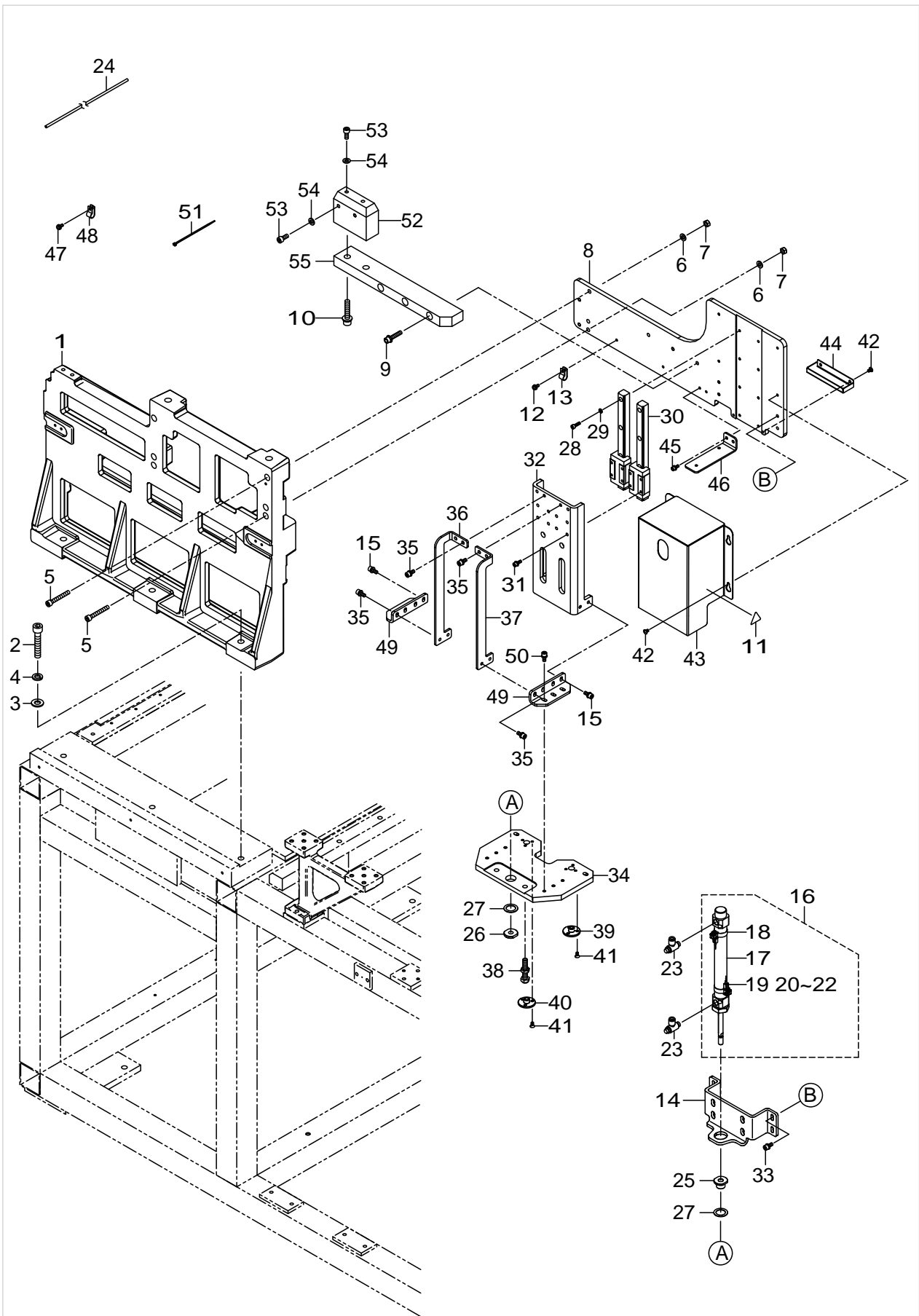
# CLOTH PRESSER COMPONENTS



CLOTH PRESSER COMPONENTS

No.	Supply Code	Parts No.	Replacement	Parts name	Remarks	Choice	Step	Level	Cons	Qty	Rep. QTY
45		WS0820002KN		SPRING WASHER M8						4	
46		72000182		CLOTH PRESSER ARM BUSHING						4	
47		SM6053502TN		HEXAGONAL-HOLE BOLT M5 L=35						4	
48		WP0531001SC		WASHER M5						4	
49		WS0510002KN		SPRING WASHER M5						4	
50		PA2001004A0		AIR CYLINDER						2	
51		PJ032052503		HOSE NIPPLE						4	
52		SM6053002TN		SCREW M5X0.8 L=30						8	
53		WS0510002KN		SPRING WASHER M5						8	
54		G5511875000		BALL						2	
55		GAK01003B00		PRESSER LIFTER STOPPER B						2	
56		WP0641601SC		WASHER M6						2	
57		NM6060001SC		NUT M6X1 TYPE1						2	
58		GLA02302000		FULCRUM BUSHING						2	
59		11528809		WASHER						2	
60		40116088		STIFFENING PLATE						1	
61		SL6041292TN		SCREW M4 L=12						6	
62		CM300200003		FINGER INJURY CAUTION LABEL (31.5)						2	
63		PJ305040001		T						2	
64		SL4042091SC		SCREW M4 L=20						2	
65		PJ303040002		STRAIGHT UNION 4						2	
66		HX00150000C		CABLE CLAMP						12	
67		HX00150000G		CABLE CLAMP						13	
68		SL4041091SC		SCREW M4 L=10						25	
69		EA9500B0100		CABLE BAND						6	

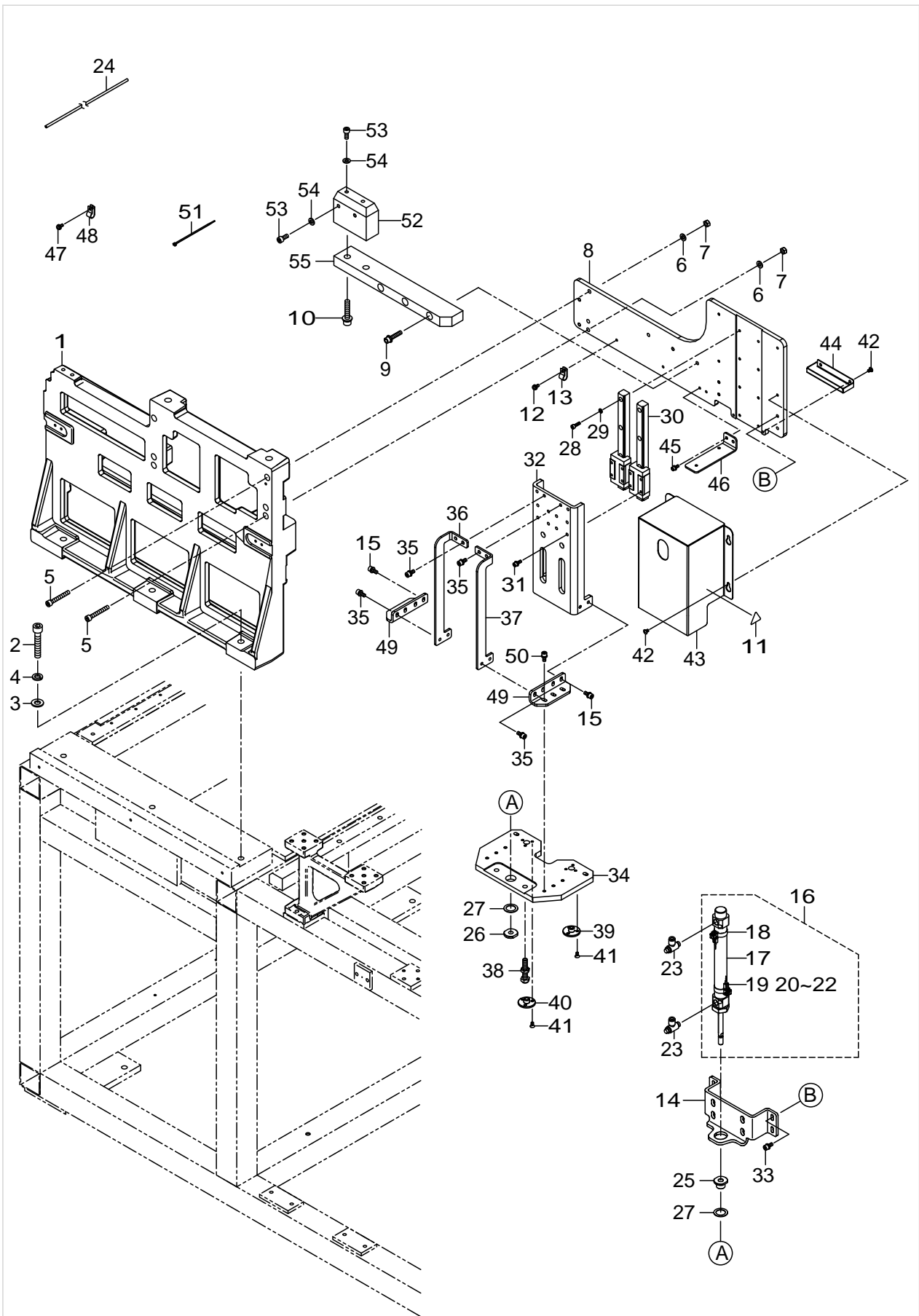
POCKET SET COMPONENTS



POCKET SET COMPONENTS

No.	Supply Code	Parts No.	Replacement	Parts name	Remarks	Choice	Step	Level	Cons	Qty	Rep. QTY
1		72000037		MAIN BASE A						1	
2		SM6105502TN		SCREW M10 L=55						3	
3		WP1052001SC		WASHER 10						3	
4		WS1020002KN		SPRING WASHER M10						3	
5		SM6064502TP		SCREW M6 L=45						3	
6		WP0641601SC		WASHER						3	
7		NM6060001CP		NUT M6						3	
8		72000038		GUIDER_SUPPORT_PLATE						1	
9		SL6063092TN		SCREW M6 L=30						3	
10		SL6084092TN		BOLT						2	
11		CM300200003		ATTENTION LABEL						1	
12		SL4041091SC		SCREW M4 L=10						1	
13		HX00150000C		CABLE CLIP						1	
14		72000040		SLIDER_CYLINDER_BASE_PLATE						1	
15		SL6051292TN		BOLT						4	
16		72000036		SET_CLAMP_CYLINDER_ASSY						1	
17		PA201250400		AIR CYLINDER				*		1	
18	D	PA900046000		SENSOR BAND				*		3	
19		72000117		SENSOR_OPTION				*		3	
20		72000033		SET_UPPER_CORD_ASSY	SELECTIVE PARTS			*		1	
21		72000034		SET_LOWER_CORD_ASSY	SELECTIVE PARTS			*		1	
22		72000035		SET_MIDDLE_CORD_ASSY	SELECTIVE PARTS			*		1	
23		PC015108000		SPEED CONTROLLER						2	
24		BT0400251EB		URETHANE HOSE, BLACK						2	
25		72000041		CYLINDER_AND_PLATE_COUPLING_A						1	
26		72000042		CYLINDER_AND_PLATE_COUPLING_B						1	
27		72000046		RUBBER_WASHER						2	
28		SM6041402TP		SCREW M4 L=14						8	
29		WP0450846SP		WASHER						8	
30		72000045		LM_GUIDER						2	
31		SL6041292TN		SCREW						8	
32		72000043		LINEAR_GUIDER_SUPPORT_PLATE						1	
33		SL6051492TN		BOLT						4	
34		72000044		POCKET_SET_SUPPORT_PLATE						1	
35		SL6051292TN		BOLT						8	
36		72000047		PLATE_SUPPORT_A						1	
37		72000048		PLATE_SUPPORT_B						1	
38		G6206875000		STOPPER BOLT						2	
39		G6028875000		GAUGER_PIN_HOLDER						1	
40		G6029875000		GAUGER_PIN_HOLDER_B						1	
41		SM1040801SC		SCREW M4X0.7 L=8						6	
42		SM0040601SA		SCREW						6	
43		72000051		LM_GUIDER_COVER						1	
44		72000050		OIL_COVER						1	
45		SL6041092TN		SCREW						2	

POCKET SET COMPONENTS

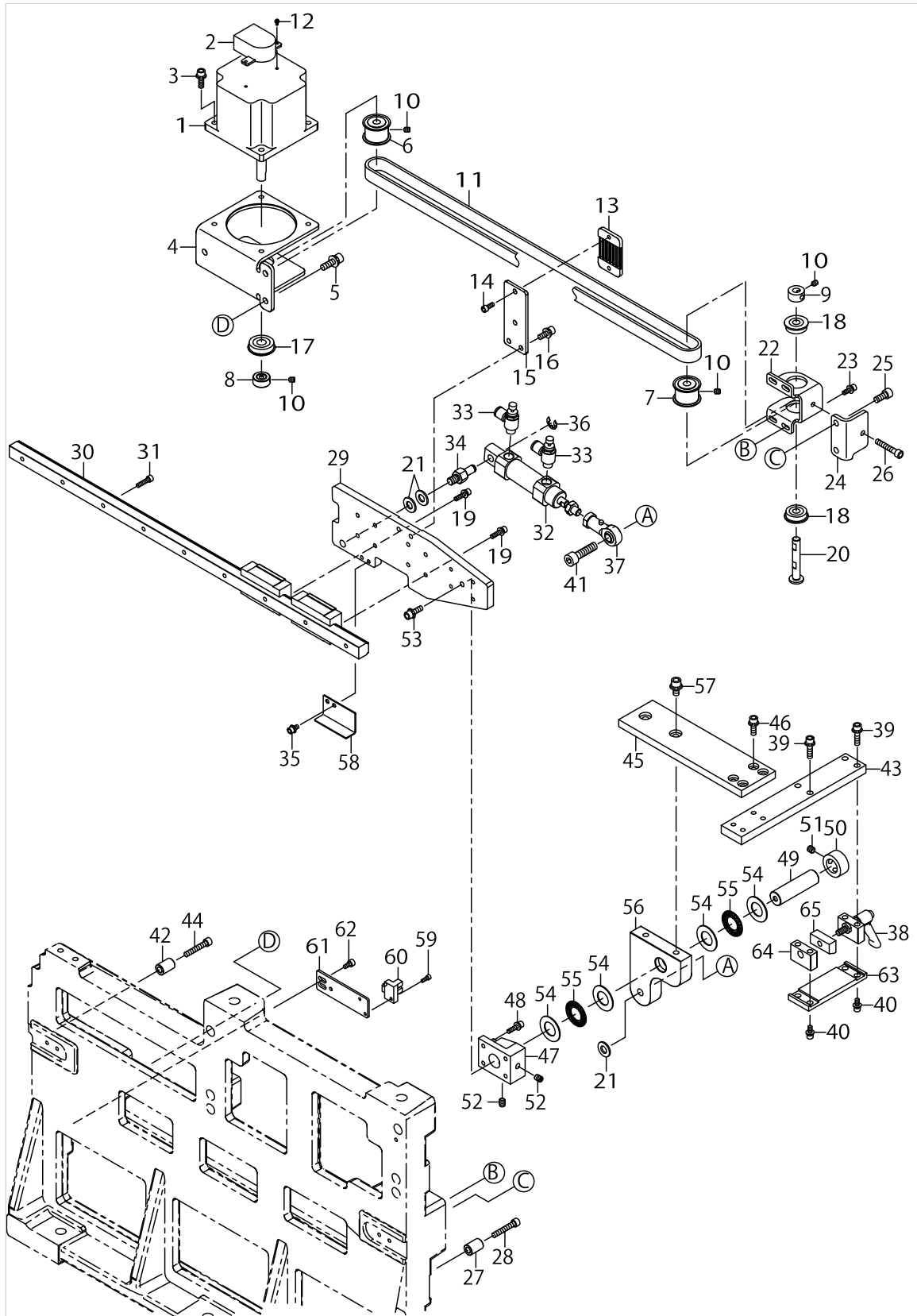


POCKET SET COMPONENTS

No.	Supply Code	Parts No.	Replacement	Parts name	Remarks	Choice	Step	Level	Cons	Qty	Rep. QTY
46		72000049		CABLE_SUPPORT						1	
47		SL4041091SC		SCREW M4 L=10						1	
48		HX00150000C		CABLE CLIP						1	
49		72000132		PLATE_SUPPORT_C						2	
50		SL6051292TN		BOLT						6	
51		EA9500B0100		CABLE BAND						1	
52		72000130		SUPPORT_BLOCK_A						1	
53		SM6061402TP		SCREW M6 L=14						4	
54		WP0641601SC		WASHER						4	
55		72000131		SUPPORT_BLOCK_B						1	



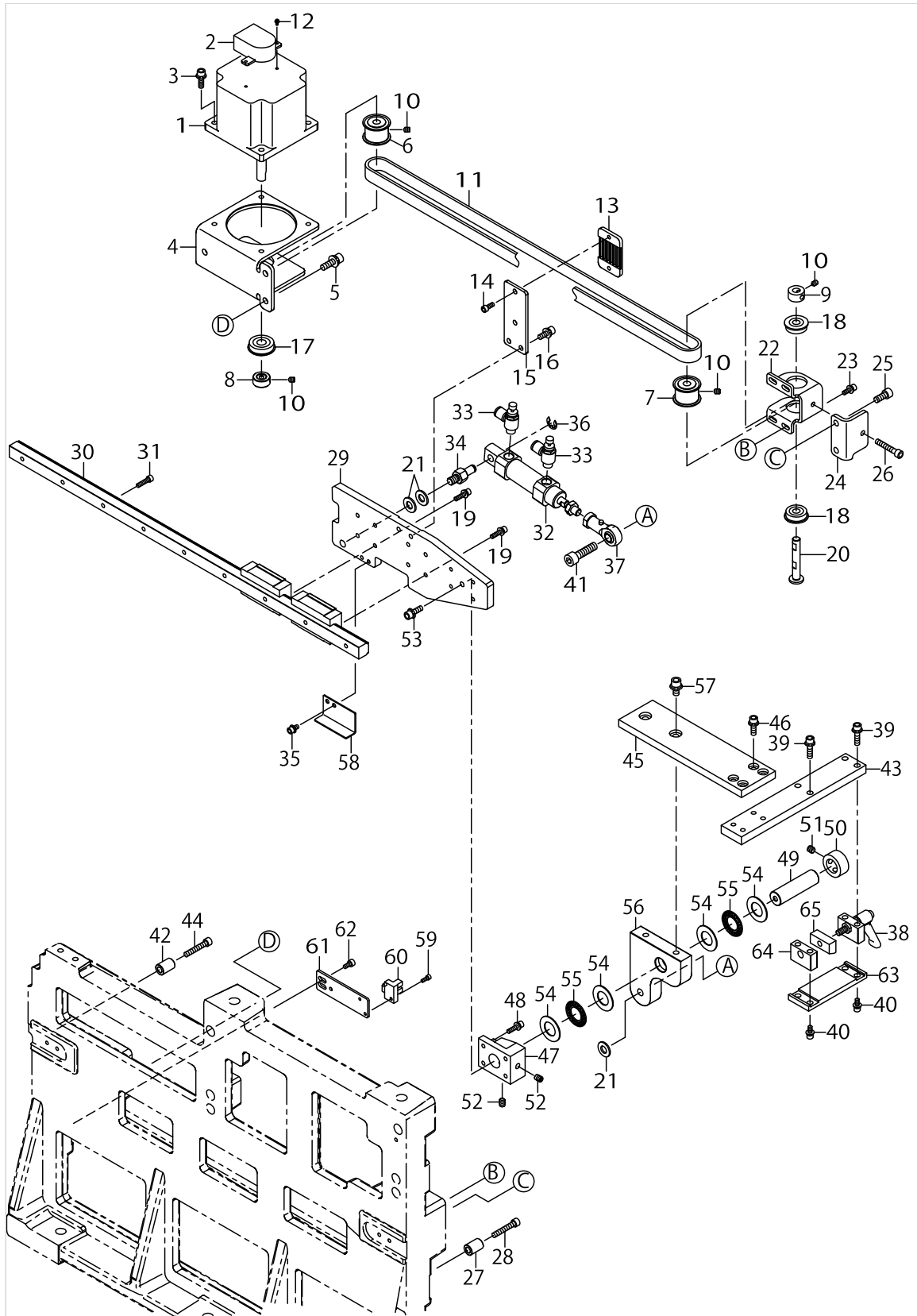
# FORM PLATE MECHANISM COMPONENTS



FORM PLATE MECHANISM COMPONENTS

No.	Supply Code	Parts No.	Replacement	Parts name	Remarks	Choice	Step	Level	Cons	Qty	Rep. QTY
1		40071944		STEPPING MOTOR						1	
2		HD002780000		SENSOR						1	
3		SL6051692TN		SCREW M5 L=16						4	
4		40116429		MOTOR FITTING PLATE						1	
5		SL6062092TN		SCREW M6 L=20						3	
6		40116430		DRIVE SPROCKET						1	
7		40116431		DRIVEN SPROCKET						1	
8		CS1000881TP		THRUST COLLAR D=10 W=8						1	
9		CS0800971TP		THRUST COLLAR D=8 W=9						1	
10		SM8050602TP		SCREW M5 L=6						8	
11		40116432		PATERN BOAD TIMING BELT						1	
12		SL4020591SC		SCREW M2 L=5						2	
13		40032219		BELT RECEIVER						1	
14		SL6051492TN		SCREW M5 L=14						2	
15		40116433		BELT RECEIVER FITTING PLATE						1	
16		SL6051492TN		SCREW M5 L=14						2	
17		SB110001300		BEARING						1	
18		SB108000500		BEARING						2	
19		SL6041692TN		SCREW M4 L=16						8	
20		40116435		DRIVEN SPROCKET SHAFT						1	
21		WP0841601SC		WASHER M8						3	
22		40077991		X DRIVEN BRACKET						1	
23		SL6041292TN		SCREW M4 L=12						4	
24		40116436		PRESSER BASE PLATE						1	
25		SM6061402TN		SCREW						2	
26		SM6053002TN		SCREW M5X0.8 L=30						1	
27		GAC01002A00		COLLAR						1	
28		SM6053002TN		SCREW M5X0.8 L=30						1	
29		40116437		FORM PLATE SLIDER PLATE						1	
30		40116438		CARRIER SLIDE GUIDE						1	
31		SM6041602TP		SCREW M4X0.7 L=16						9	
32		PA200051100		AIR CYLINDER						1	
33		PC015108000		SPEED CONTROLLER						2	
34		40035137		CYLINDER SHAFT B						1	
35		SL6040892TN		SCREW M4 L=8						2	
36		RE0700000K0		E-RING 7						1	
37		40035314		ROD END						1	
38		G60168700A0		LOOK LEVER SHAFT B ASM.						1	
39		SL6062092TN		SCREW M6 L=20						4	
40		SM6061202TN		SCREW						4	
41		SM6083002TP		SCREW M8 L=30						1	
42		40011758		SYNCHRONIZER BASE COLLAR						1	
43		40116440		CARRIER SRIDE ARM A						1	
44		SM6064002TP		SCREW M6 L=40						1	
45		40116441		CARRIER SRIDE ARM B						1	
46		SL6051692TN		SCREW M5 L=16						4	

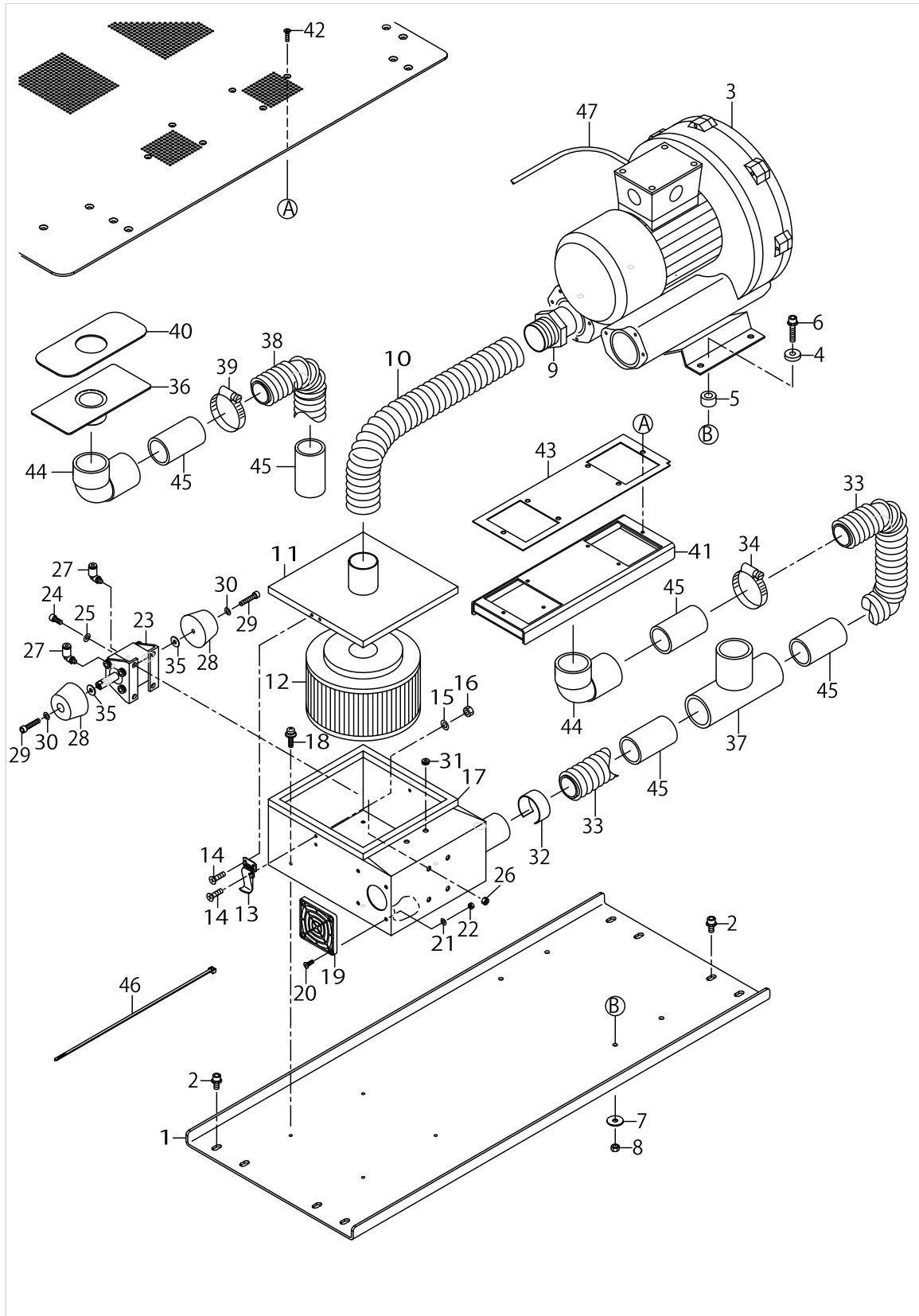
# FORM PLATE MECHANISM COMPONENTS



FORM PLATE MECHANISM COMPONENTS

No.	Supply Code	Parts No.	Replacement	Parts name	Remarks	Choice	Step	Level	Cons	Qty	Rep. QTY
47		40116442		CARRIER BOSS BLOCK						1	
48		SL6041692TN		SCREW M4 L=16						4	
49		40116443		CARRIER SHAFT						1	
50		CS1601211TH		THRUST COLLAR D=16 W=12						1	
51		SS8660612TP		SCREW 1/4-40 L=6						2	
52		SM8060812TP		SCREW M6 L=8						2	
53		SL6051692TN		SCREW M5 L=16						1	
54		G5523880000		THRUST WASHER B						4	
55		SB616000100		BEARING						2	
56		40116444		CARRIER SRIDE ARM C						1	
57		SL6061292TN		SCREW M6 L=12						2	
58		72000127		SENSOR_PLATE						1	
59		SM6030802TN		SCREW						1	
60		HD00057000A		SENSOR						1	
61		72000128		X_SENSOR_INSTALLING_PLATE						1	
62		SM6040802TN		SCREW M4X0.7 L=8						2	
63		G6108870000		ONE-TOUCH BASE PLATE B						1	
64		G6012870000		ONE TOUCH BASE CONNECTING PLATE						1	
65		G6014870000		ONE TOUCH LOCK METAL B						1	

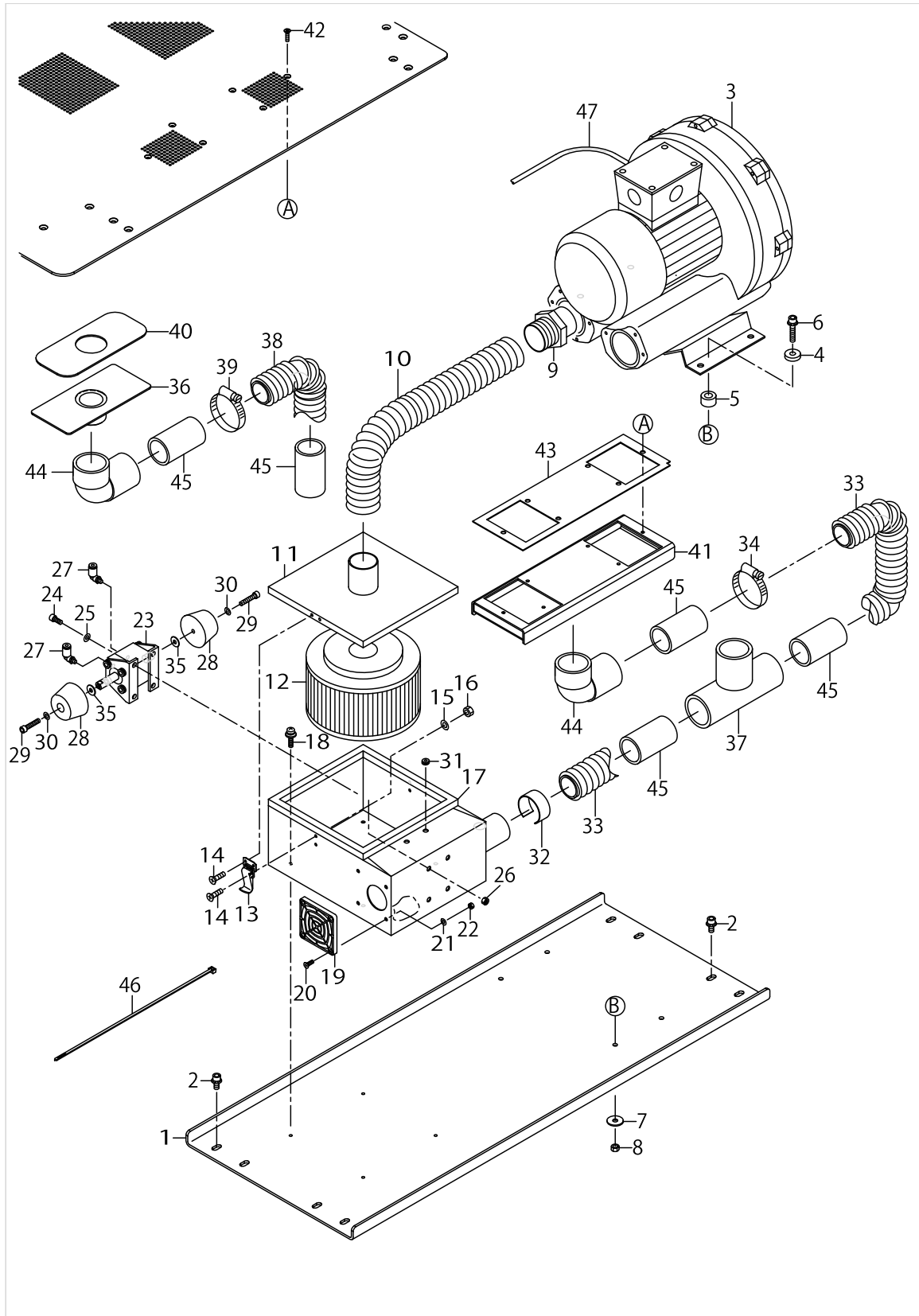
SUCTION DEVICE COMPONENTS



SUCTION DEVICE COMPONENTS

No.	Supply Code	Parts No.	Replacement	Parts name	Remarks	Choice	Step	Level	Cons	Qty	Rep. QTY
1		40116165		CLOTH SUCTION BASE PLATE						1	
2		SL6061492TN		SCREW M6 L=14						8	
3		KM000000510		BLOWER MOTOR						1	
4		B4420373000		CUSHION						4	
5		B1123205000		RUBBER PAD						4	
6		SL6063042TN		SCREW M6 L=30						4	
7		WP0651646SC		WASHER						4	
8		NM6060001SC		NUT M6X1 TYPE1						4	
9		G5345172000		BLOWER JOINT						1	
10		G5344172000		VACUUM HOSE						1	
11		GMC100050A0		TOP COVER ASM.						1	
12		GMC10004000		FILTER ELEMENT						1	
13		GMC10007000		METAL FITTINGS						2	
14		SM1030801SC		SCREW M3 L=8						8	
15		WP0320501SC		WASHER M3						4	
16		NM6030001SC		NUT M3X0.5 TYPE1						4	
17		G62528750A0		FILTER BOX ASM.						1	
18		SL4040891SC		SCREW M4X8						4	
19		HM000550010		FAN MOTOR						1	
20		SM1041201SC		SCREW M4 L=12						4	
21		WP0430801SC		WASHER M4						4	
22		NM6040001SC		NUT M4X0.7 TYPE1						4	
23		PA200201100		CYLINDER						1	
24		SM6051202TN		SCREW M5X0.8 L=12						4	
25		WP0531001SC		WASHER M5						4	
26		NM6050001SC		NUT M5X0.8 TYPE1						4	
27		PJ304040504		UNION						2	
28		G6253875000		VACUUM CHANGE RUBBER						2	
29		SM6052502TN		SCREW						2	
30		WP0531001SC		WASHER M5						2	
31		HX000550000		GROMMET						2	
32		G5171136000		VACUUM CONTROL PLATE						1	
33		GMC16005000		HOSE (L)						1	
34		G5176136000		HOSE BAND						4	
35		WP0501046SC		WASHER 5X14X1						2	
36		72000083		MAGNET_PIPE						1	
37		72000079		T_PIPE						1	
38		GMC16005000		HOSE (L)						1	
39		G5176136000		HOSE BAND						4	
40		72000118		VACUUM_MAGNET						1	
41		G6207875000A		VACUUM BOX						1	
42		SM1041601SC		SCREW M4X0.7 L=16						6	
43	D	G6208875000A		PACKING						1	
44		G6211875000		VACUUM BOX ELBOW						2	
45		25023300		PIPE						5	
46		G5453161000		CABLE BAND						3	

SUCTION DEVICE COMPONENTS

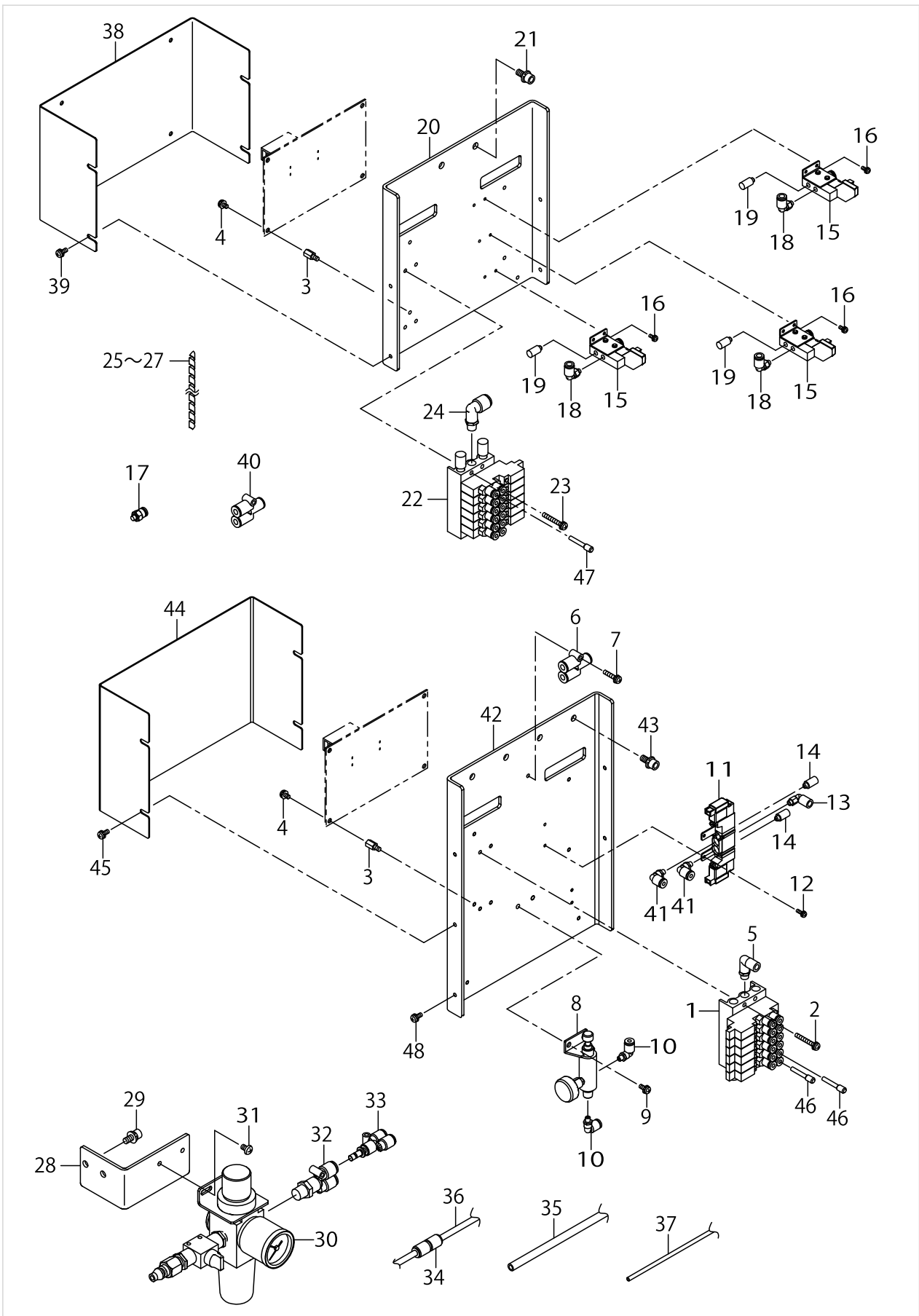


SUCTION DEVICE COMPONENTS

No.	Supply Code	Parts No.	Replacement	Parts name	Remarks	Choice	Step	Level	Cons	Qty	Rep. QTY
47		40122398		MOTOR POWER CORD ASSY						1	



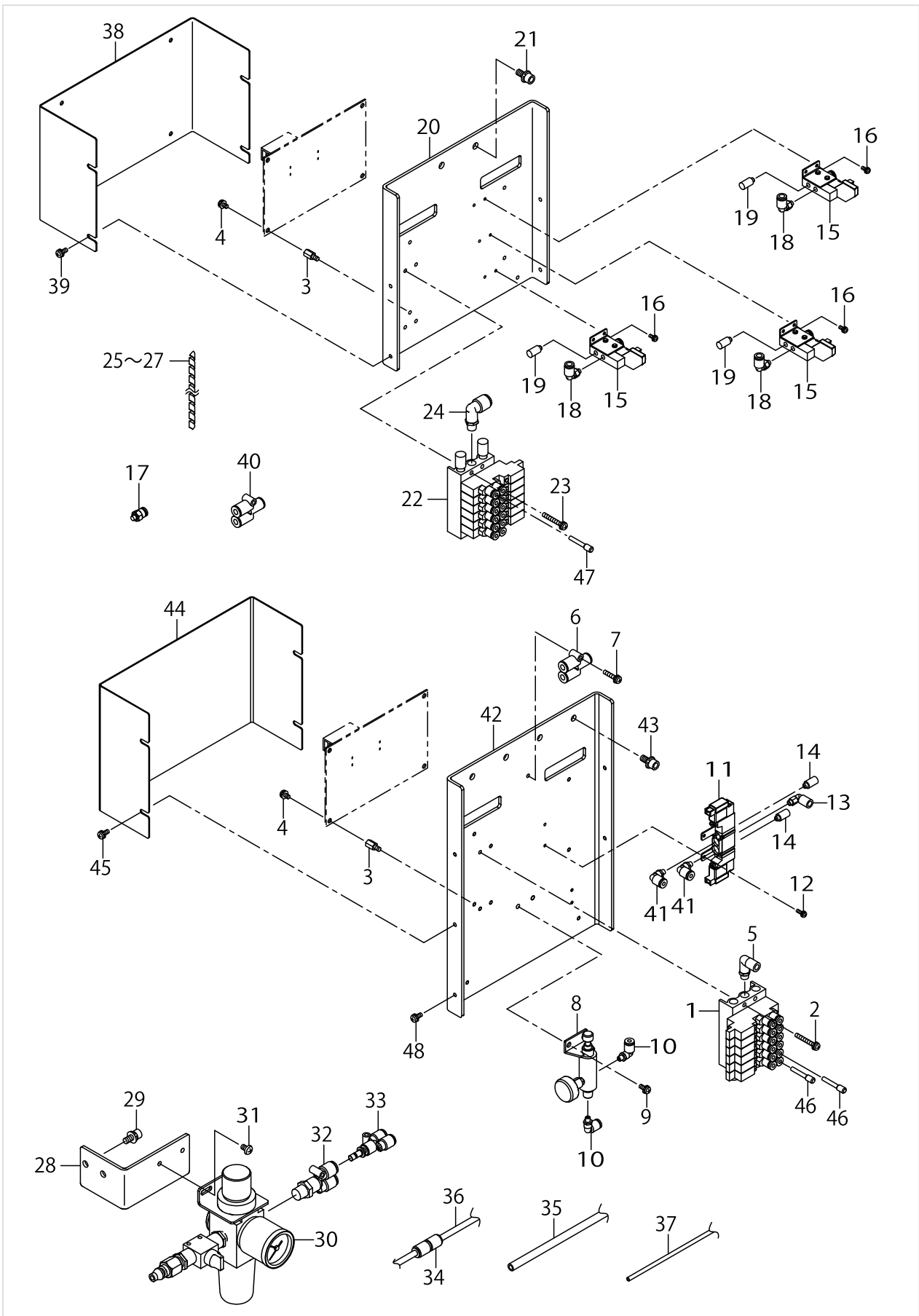
# AIR PRESSURE COMPONENTS



AIR PRESSURE COMPONENTS

No.	Supply Code	Parts No.	Replacement	Parts name	Remarks	Choice	Step	Level	Cons	Qty	Rep. QTY
1		40116208		ASSY MANIFOLD VALVE 6						1	
2		SL4043091SC		SCREW M4 L=30						4	
3		HX003390000		SPACER						8	
4		SL4040881SC		SCREW M4 L=8						8	
5		PJ304065101		ELBOW UNION 6XPT1/8						1	
6		PJ308060003		UNION Y						1	
7		SL4042091SC		SCREW M4 L=20						1	
8		PC0205010A0		MINIATURE DECOM- PRESSION VALVE						1	
9		SL4051091SC		SCREW M5 L=10						2	
10		PJ304040504		UNION						2	
11		PV150215000		5-PORT SOLENOID VALVE						1	
12		SL4031091SC		SCREW M3 L=10						2	
13		PJ304060502		ELBOW UNION 6XM5						1	
14		PX050501000		SILENCER						2	
15		PV130600100		3-PORT SOLENOID VALVE						3	
16		SL4030891SC		SCREW M3 L=8						6	
17		PJ301060503		HALF UNION						1	
18		PJ304040505		UNION						3	
19		PX050501000		SILENCER						3	
20		40116209		ASSY MANIFOLD V- ALVE SPPORT PLATE						1	
21		SL6061492TN		SCREW M6 L=14						2	
22		40116208		ASSY MANIFOLD VALVE 6						1	
23		SL4043091SC		SCREW M4 L=30						4	
24		PJ304065101		ELBOW UNION 8XPT1/8						1	
25		HX003140000		SPIRAL TUBE						1	
26		HX00314000A		SPIRAL TUBE						3	
27		HX00314000B		SPIRAL TUBE						7	
28		40116210		FILTER INSTALLING PLATE						1	
29		SL6061492TN		SCREW M6 L=14						2	
30		40088208		FILTER REGULATOR ASSY						1	
31	D	SM4050801SC		SCREW M5X0.8 L=8						2	
32		PJ308085202		BRANCH Y						1	
33		PJ308080004		DIFFERENT DIAMET- ER BRANCH UNION Y						1	
34		PJ303060001		STRAIGHT UNION 6						1	
35		BT0800501EB		URETHANE TUBE BLACK 8X5						3	
36		BT0600401EB		URETHANE TUBE BLACK 6X4						37.7	
37		BT0400251EB		URETHANE TUBE BLACK 4X2.5						111	
38		40116212		INT BOAD COVER B						1	
39		SL4041091SC		SCREW M4 L=10						4	
40		PJ308060003		Y UNION						1	
41		PJ304040504		ELBOW UNION						2	
42		72000057		ASSY_MANIFOLD_V- ALVE_SUPPORT_PLATE						1	
43		SL6061492TN		BOLT						2	
44		72000058		INT BOARD COVER B						1	
45		SL4041091SC		SCREW M4 L=10						4	

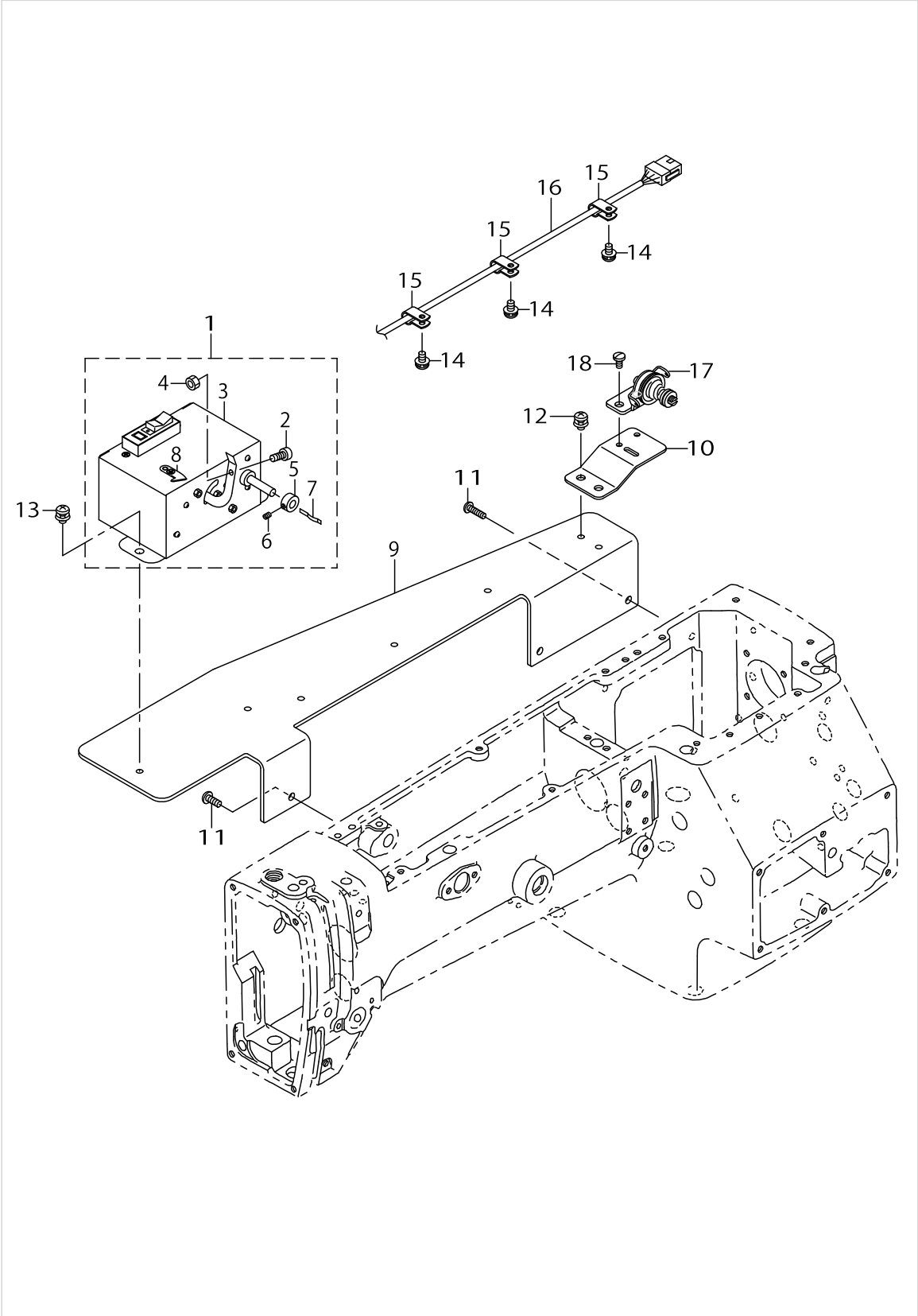
AIR PRESSURE COMPONENTS



AIR PRESSURE COMPONENTS

No.	Supply Code	Parts No.	Replacement	Parts name	Remarks	Choice	Step	Level	Cons	Qty	Rep. QTY
46		PX500014000		PLUG						2	
47		PX500014000		PLUG						1	
48		SL4041091SC		SCREW M4 L=10						1	

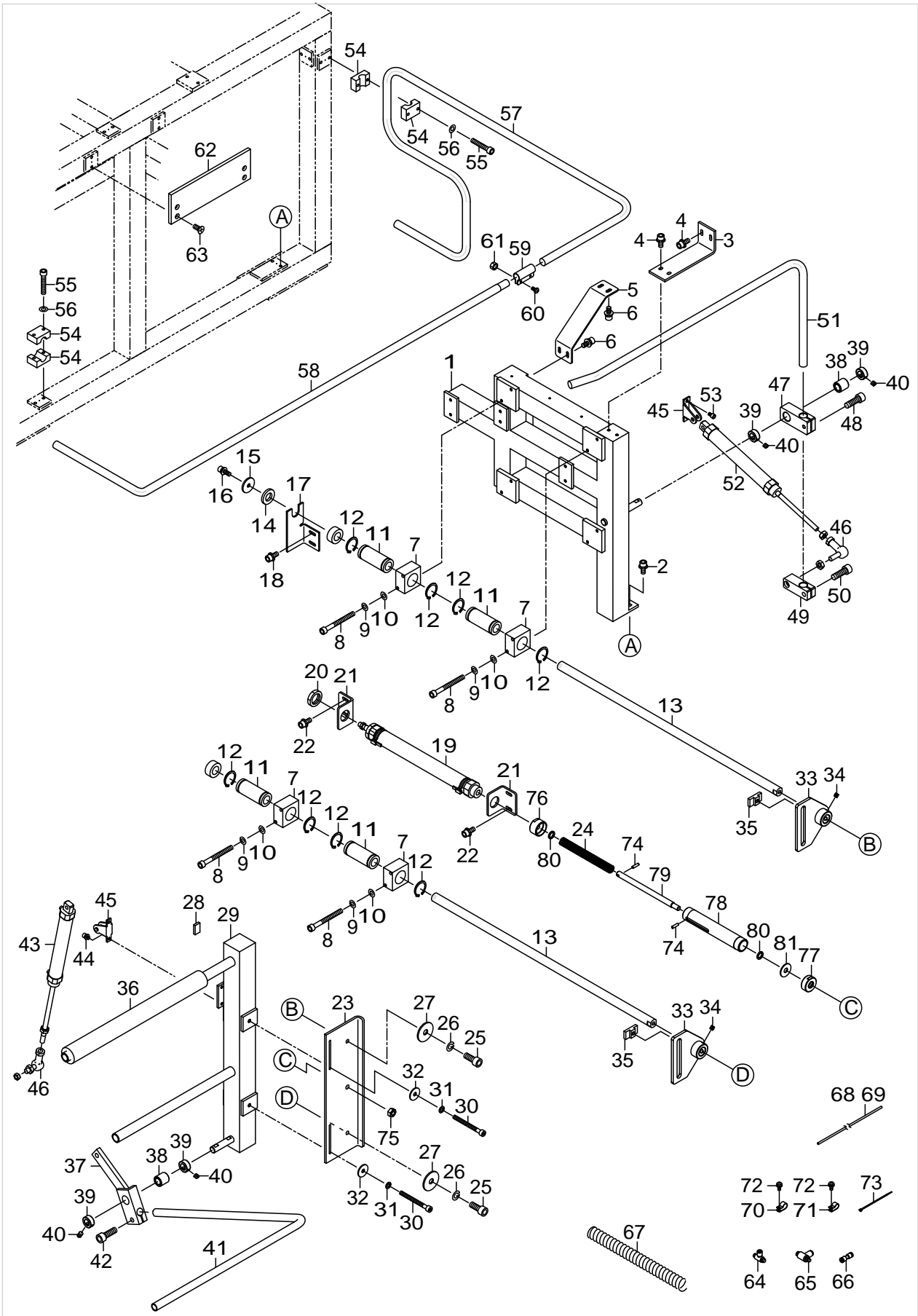
BOBBIN WINDER COMPONENTS



BOBBIN WINDER COMPONENTS

No.	Supply Code	Parts No.	Replacement	Parts name	Remarks	Choice	Step	Level	Cons	Qty	Rep. QTY
1		G80318750A0		BOBBINWINDERASM.						1	
2		G8031875000		BOBBIN PRESSER BOSS				*		1	
3		13870258		BOBBIN THREAD WIDING DEVICE				*		1	
4		NS6110420SP		NUT 11/64-40				*		1	
5	R	CS0640611SP	CS064061ASP	THRUST HOLDER				*		1	1.00
6		SS8090530TP		SCREW 9/64-40 L=5.0				*		1	
7		B3212761000		LATCH SPRING				*		1	
8		10502300		THREAD CUTTER				*		1	
9		G8033875000		BOBBIN DEVICE FITTING PLATE						1	
10		G3216270000		BOBBIN BASE						1	
11		SS4121615SP		SCREW 3/16-28 L=16						3	
12		SL4051091SC		SCREW M5X0.8 L=10						2	
13		SL4051091SC		SCREW M5X0.8 L=10						2	
14		SL4051091SC		SCREW M5X0.8 L=10						3	
15		HX00150000C		CABLE CLIP						3	
16		G80328750A0		BOBBIN POWER SOURCE CORD ASM.						1	
17		13889951		BOBBIN GUIDE ASM.						1	
18		SS7110840SP		SCREW 11/64-40 L=7.8						2	

STACKER COMPONENTS

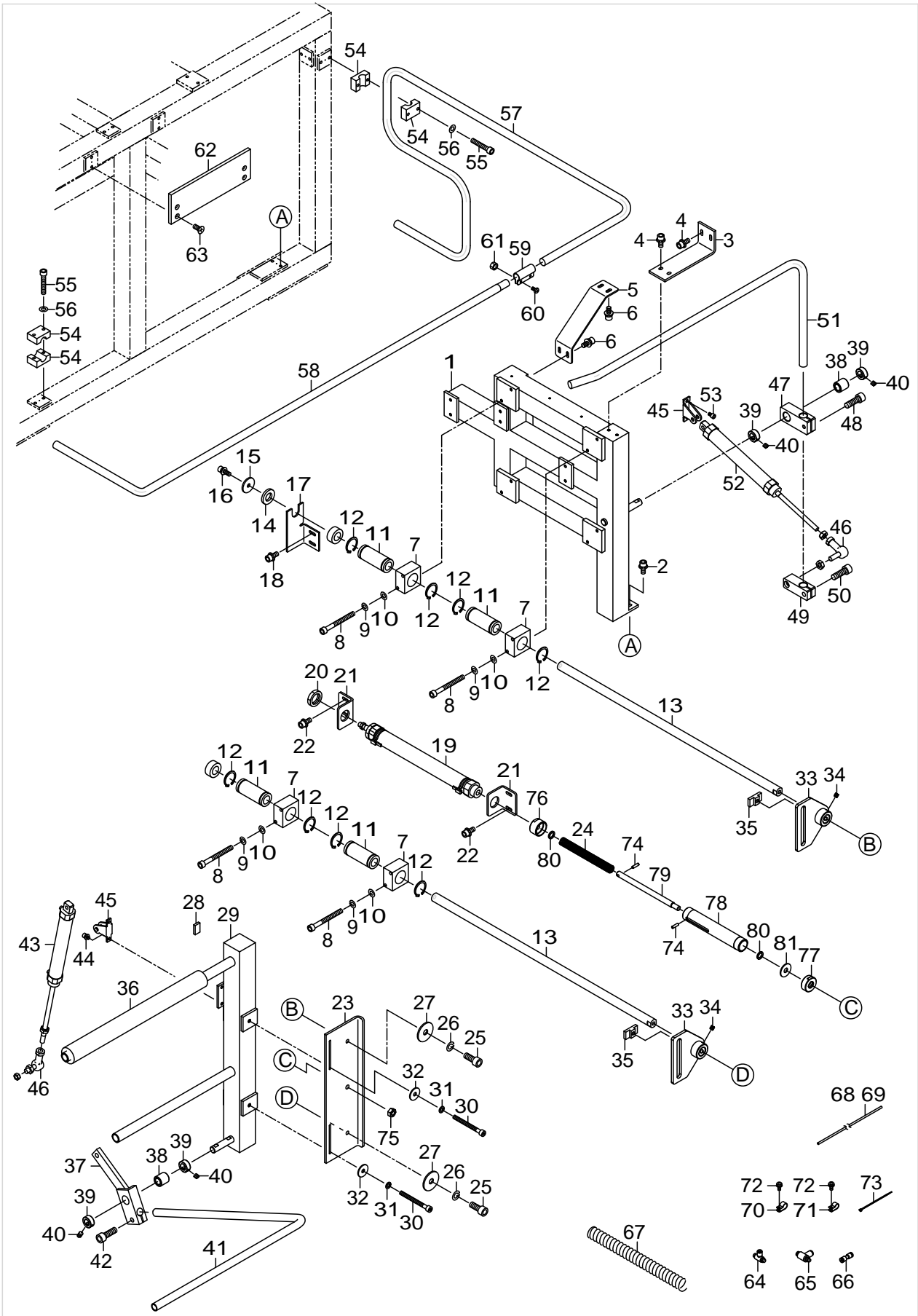


STACKER COMPONENTS

No.	Supply Code	Parts No.	Replacement	Parts name	Remarks	Choice	Step	Level	Cons	Qty	Rep. QTY
1		40116178		STACKERBASEASSY						1	
2		SL6061492TN		SCREW M6 L=14						2	
3		40116179		FITTING PLATE A						1	
4		SL6061492TN		SCREW M6 L=14						4	
5		40116180		FITTING PLATE B						1	
6		SL6061492TN		SCREW M6 L=14						4	
7		40116181		SLIDER SHAFT BLOCK						4	
8		SM6066052TP		SCREW M6 L=60						8	
9		WS0610002KN		SPRING WASHER M6						8	
10		WP0641601SC		WASHER M6						8	
11		40116182		SLIDER SHAFT BUSHING						4	
12		RC3781518KP		C-RING 35 (30)						8	
13		40116183		SLODER SHAFT						2	
14		40116184		STOPPER RUBBER						1	
15		40074011		CHUCK PLATE						1	
16		SL6082092TN		SCREW M8 L=20						1	
17		40116185		STOPPER PLATE						1	
18		SL6061492TN		SCREW M6 L=14						2	
19		40105074		FRONT BEHIND CYLINDER ASSY						1	
20		NM6260810SC		NUT M26						1	
21		40116186		SLIDER CYLINDER BASE PLATE						2	
22		SL6061492TN		SCREW M6 L=14						4	
23		40116187		CLOTH FEED TUBE JOINT						1	
24		40116202		SPRING						1	
25		SM6082002TP		SCREW M8 L=20						2	
26		WS0822010KP		SPRING WASHER 8.2X15X2						2	
27		WP0852086SC		WASHER M8						2	
28		40039896		CUSHION						3	
29		40116188		STAND TUBE ASSY						1	
30		SM6088502TP		SCREW M8 L=85						2	
31		WS0861410KR		SPRING WASHER 8.6X15X1.4						2	
32		WP0852086SC		WASHER M8						2	
33		40116519		CLOTH FEED TUBE JOINT A						2	
34		SM8080812TP		SCREW M8X8						4	
35		40116518		SCREW STOPPER						2	
36		40035143		CLAMP BASE CUSHION						1	
37		40116189		CLAMP BAR BASE						1	
38		40035147		METAL						2	
39		CS1501171TP		THRUST COLLAR D=15 W=11						4	
40		SM8060602TP		SCREW M6X6						8	
41		40116190		CLAMP BAR						1	
42		SM6082502TP		SCREW M8 L=25						1	
43		40105075		STACKER FULL CYLINDER ASSY						1	
44		SL6061042TN		SCREW M6 L=10						2	
45		PA900060000		CLEVIS HOLDER						2	
46		G6118870000		SHAPE REMOVING BALL						2	



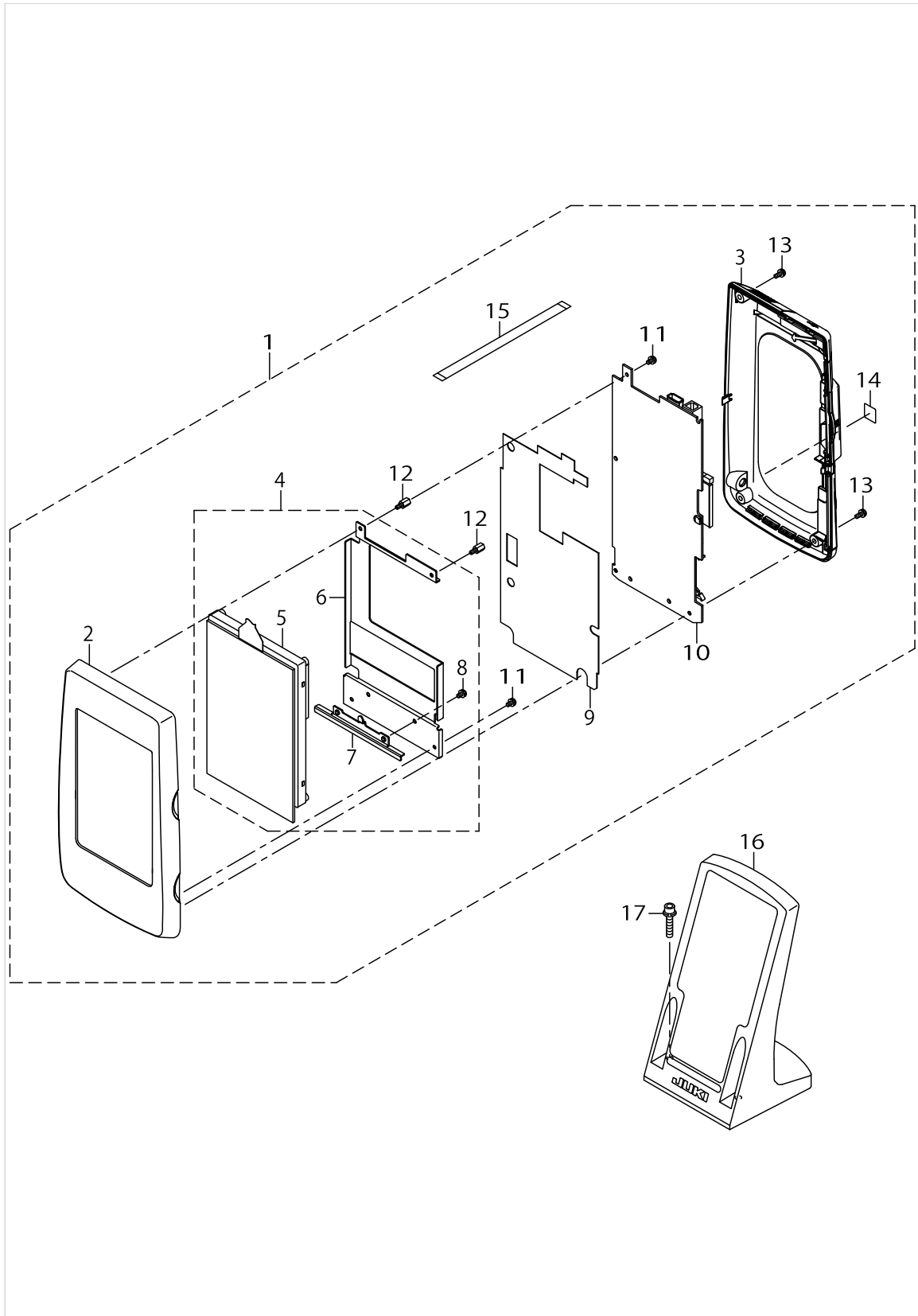
STACKER COMPONENTS



STACKER COMPONENTS

No.	Supply Code	Parts No.	Replacement	Parts name	Remarks	Choice	Step	Level	Cons	Qty	Rep. QTY
47		40116191		BRUSH BAR ROD						1	
48		SM6082502TP		SCREW M8 L=25						1	
49		40116192		BRUSH BAR BRACKET						1	
50		SM6082502TP		SCREW M8 L=25						1	
51		40116193		CLOYH BRUSH BAR						1	
52		40105076		DRIVE AWAY CYLINDER ASSY						1	
53		SM6061002TP		SCREW M6 L=10						2	
54		G7524870000		PIPE CLAMP MAIN BODY						4	
55	R	SM6063502TN	SM6063502TP	HEXAGONAL-HOLE BOLT M6 L=35						4	1.00
56		WP0641600SC		WASHEW6.4X12.5X1.6						4	
57		40116194		SAFTY BAR A						1	
58		40116195		SAFTY BAR B						1	
59	R	22931307	40096354	SPOOL REST ROD JOINT						1	1.00
60		SM4051001SN		SCREW M5						2	
61		NM6050001SE		NUT M5X0.8 TYPE1						2	
62		40116196		CLOTHES STOPPER						1	
63		SM1061401SE		SCREW M6 L=14						4	
64		PC015108000		SPEED CONTROLLER						4	
65		PC015106000		SPEED CONTROLLER						2	
66		PJ303040002		STRAIGHT UNION 4						2	
67		G5611341000		SPIRAL TUBE						1	
68		BT0400251EB		URETHANE TUBE BLACK 4X2.5						7	
69		BT0600401EB		URETHANE TUBE BLACK 6X4						3	
70		HX00150000E		CABLE CLAMP						14	
71		HX00150000D		CABLE CLAMP						12	
72		SL4041091SC		SCREW M4 L=10						26	
73		EA9500B0100		CABLE BAND						10	
74		40116197		PIN						2	
75		NM6100001SC		NUT M10X1.5 TYPE1						1	
76		40116198		HOUSING CAP A						1	
77		40116199		HOUSING CAP B						1	
78		40116200		HOUSING PIPE						1	
79		40116201		GUIDE SHAFT						1	
80		WP1221016SP		WASHER						2	
81		GAK33032000		SOLENOID RUBBER						1	

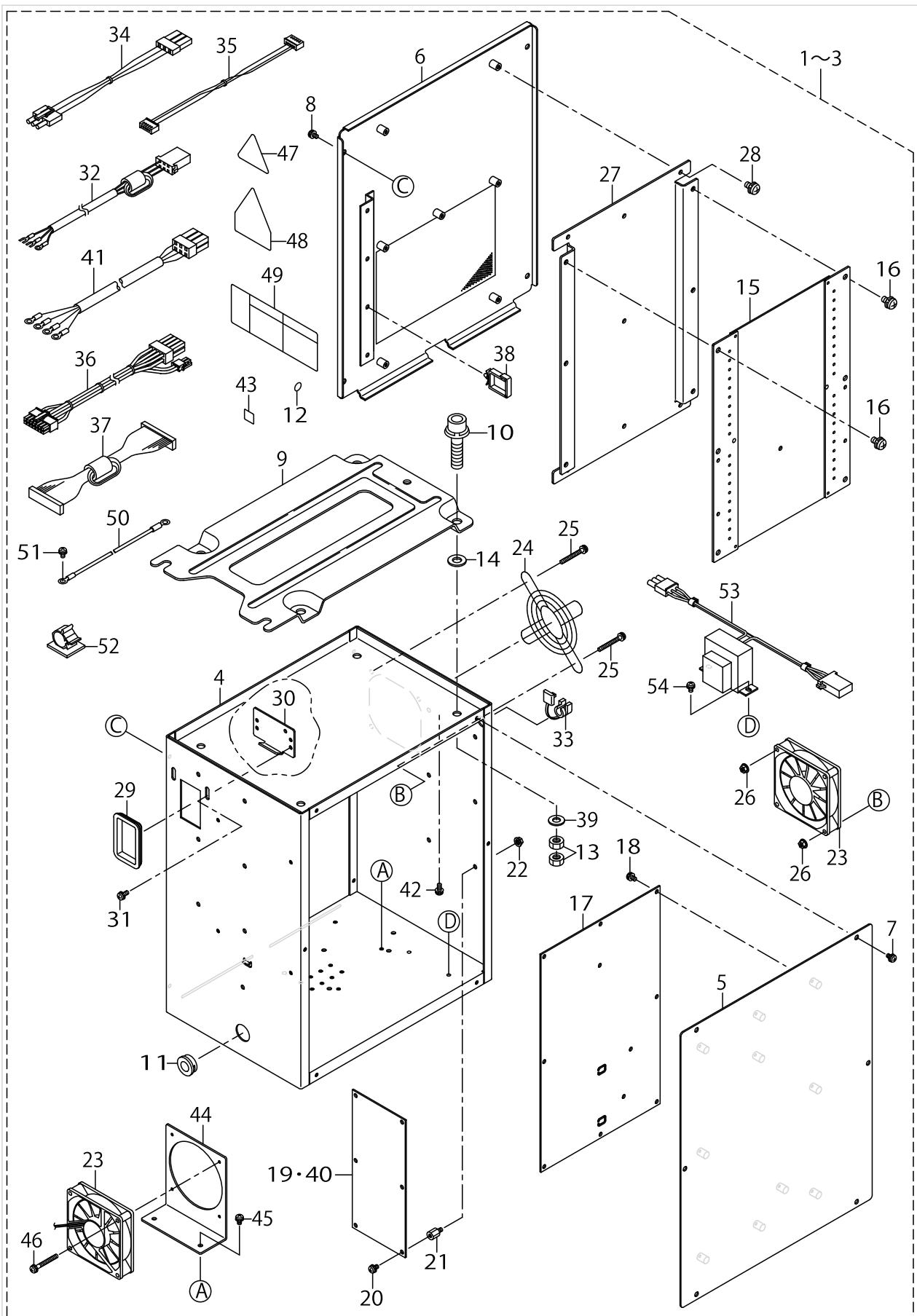
OPERATION PANEL COMPONENTS



OPERATION PANEL COMPONENTS

No.	Supply Code	Parts No.	Replacement	Parts name	Remarks	Choice	Step	Level	Cons	Qty	Rep. QTY
1		72000020		IP-420 TYPE Q¥n						1	
2		40078163		FRONT CASE				*		1	
3		40080799		REAR CASE ASSY				*		1	
4		40080800		LCD ASSY				*		1	
5		40086541		LCD TOUCH PANEL ASSY	TECHNICAL INFOMATI- ON (A16-029)			*		1	
6		40083668		LCD BRACKET	TECHNICAL INFOMATI- ON (A16-029)			*		1	
7	R	40083666	40080800	LCD STAY				*		1	1.00
8		SL4030681SC		SCREW M3 L=6				*		2	
9		40078168		INSULATION SHEET				*		1	
10	R	40083960	40086541	PANEL PCB ASSY		A		*		1	1.00
10	R	40083960	40083668	PANEL PCB ASSY		A		*		1	1.00
10	R	40083960	40166481	PANEL PCB ASSY		A		*		1	1.00
10	R	40083960	40166318	PANEL PCB ASSY		A		*		1	1.00
10	R	40083960	HW002650330	PANEL PCB ASSY		A		*		1	1.00
11		SL4030681SC		SCREW M3 L=6				*		3	
12		HX00354000B		SPACER				*		2	
13		SL4030881SC		SCREW M3X8				*		4	
14		CM600100101		WEEE MARK LABEL S				*		1	
15	R	HW002180200	HW002650330	FLAT CABLE		A		*		1	1.00
15	R	HW002180200	40083668	FLAT CABLE		A		*		1	1.00
15	R	HW002180200	40086541	FLAT CABLE		A		*		1	1.00
15	R	HW002180200	40166481	FLAT CABLE		A		*		1	1.00
15	R	HW002180200	40166318	FLAT CABLE		A		*		1	1.00
16		40035024		OPERATION BOX FI- XED PLATE(B)ASM.						1	
17		SL6052592TN		SCREW M5 L=25						2	

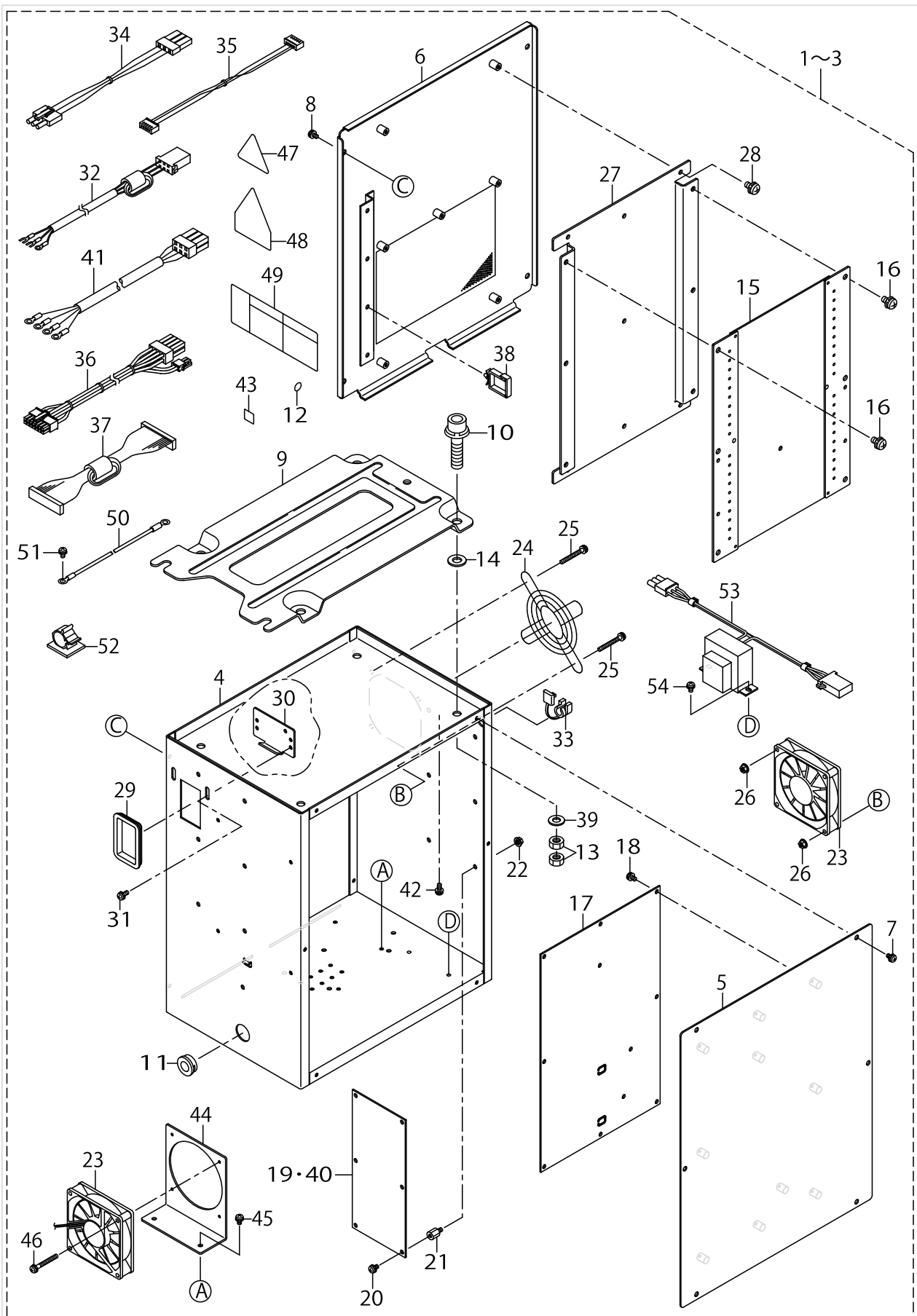
# CONTROL BOX COMPONENTS



CONTROL BOX COMPONENTS

No.	Supply Code	Parts No.	Replacement	Parts name	Remarks	Choice	Step	Level	Cons	Qty	Rep. QTY
1		72000014		CONTROLBOXAASM.	FOR GENERAL EXPORT (1-PHASE 200~240V)					1	
2		72000015		CONTROLBOXBASM.	FOR CE (1-PHASE 220~240V)					1	
3		72000016		CONTROLBOXCASM.	FOR GENERAL EXPORT AND USE IN JAPAN (3-PHASE 200~240V)					1	
4		40055355		CONTROL BOX				*		1	
5		40055356		CONTROL BOX FRONT COVER				*		1	
6		40055357		CONTROL BOX REAR COVER				*		1	
7		SL4040891SC		SCREW M4 L=8				*		6	
8		SL4040891SC		SCREW M4 L=8				*		4	
9		M3801476000		TRANSMISSION BOX FITTING PLATE				*		1	
10		SL6083092TN		SCREW				*		4	
11		HX00326000K		GROMMET				*		1	
12		E9567319000		EARTH MARK				*		1	
13		NM6080001SC		NUT M8X1.25				*		8	
14		M4206461000		WASHER				*		4	
15		72000179		MAIN PCB ASSY				*		1	
16		SL4040891SC		SCREW M4X8				*		6	
17		40082758		SDC PCB A ASSY				*		1	
18		SL4040881SC		SCREW M4 L=8				*		10	
19	R	40000046	40162838	FLT-S PCB A ASSY	FOR GENERAL EXPORT (1-PHASE 200~240V), CE(1-PHASE 220~240V)			*		1	1.00
20		SL4040881SC		SCREW M4 L=8				*		6	
21		HX003390000		STUD				*		6	
22		NM3040520SC		NUT M4				*		6	
23		40005401		FAN MOTOR ASS'Y				*		2	
24		KM000000480		FAN MOTOR				*		1	
25		SL4043591SC		SCREW				*		4	
26		NM3040520SC		NUT M4				*		4	
27		40005706		MAIN PCB HOLDER PLATE				*		1	
28		SL4040881SC		SCREW M4 L=8				*		5	
29		HX004070000		BUSH				*		1	
30		17845009		CORD FITTING PLATE				*		1	
31		SL4041091SC		SCREW M4 L=10				*		2	
32		40086466		POWER CORD JE ASSY	FOR GENERAL EXPORT (1-PHASE 200~240V), CE(1-PHASE 220~240V)			*		1	
33		KX000000320		BUSH				*		1	
34		40005393		FLT-SDC CORD P ASS'Y	FOR GENERAL EXPORT (1-PHASE 200~240V)			*		1	

# CONTROL BOX COMPONENTS

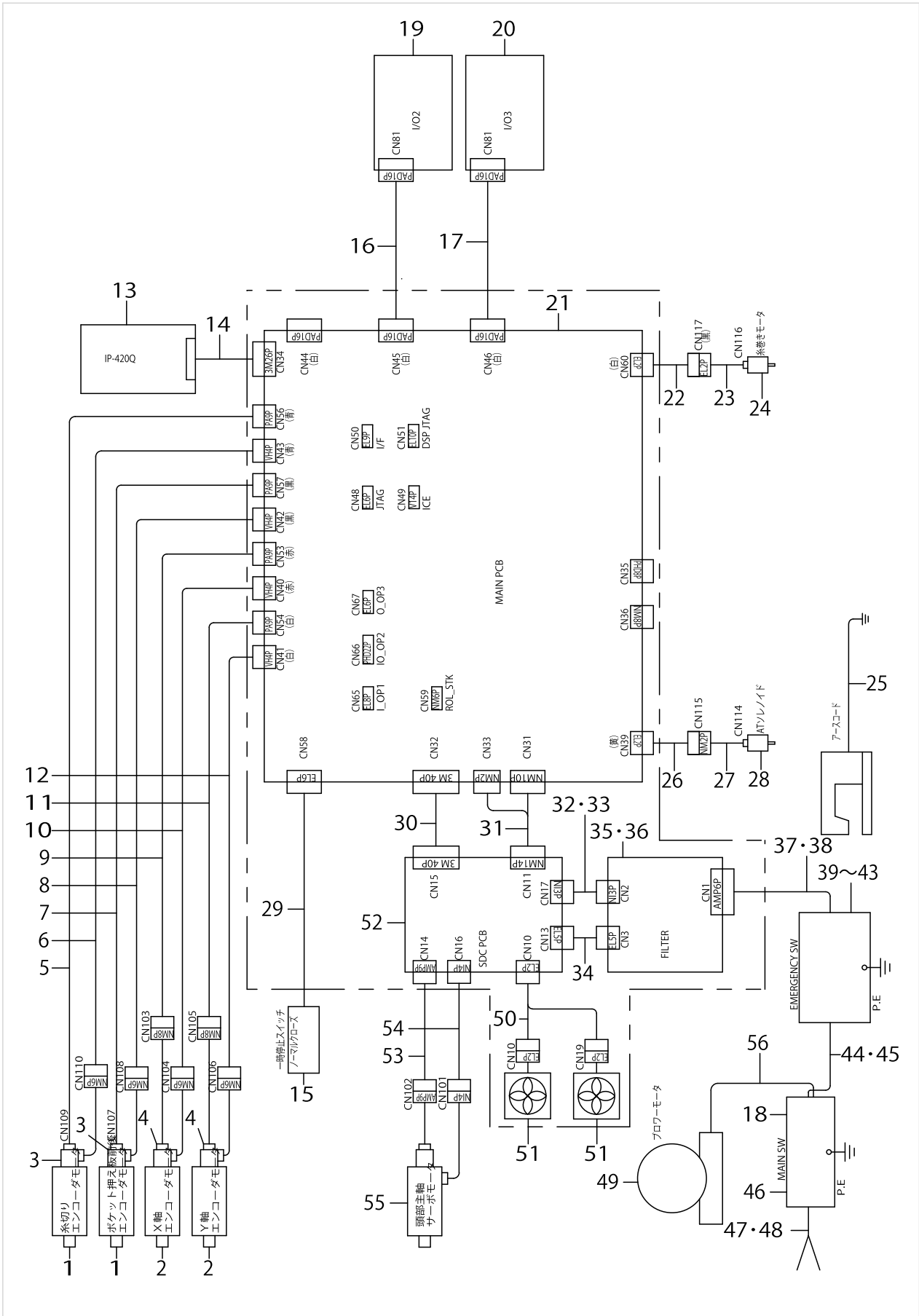


CONTROL BOX COMPONENTS

No.	Supply Code	Parts No.	Replacement	Parts name	Remarks	Choice	Step	Level	Cons	Qty	Rep. QTY
35		40005394		FLT-SDC CORD S ASS'Y				*		1	
36		40105078		SDC-MAIN CORD P ASSY				*		1	
37		40082736		SDC-MAIN CORD S ASSY				*		1	
38		HX005110000		WIRE SADDLE				*		3	
39		WP0841601SC		WASHER 8.4X17.4X1.6				*		4	
40		40051320		FLT-T PCB B ASSY	FOR GENERAL EXPORT AND USE IN JAPAN (3-PHASE 200~240V)			*		1	
41		40086465		POWER CORD 3P ASSY	FOR GENERAL EXPORT AND USE IN JAPAN (3-PHASE 200~240V)			*		1	
42		SL4041091SC		SCREW M4 L=10	FOR GENERAL EXPORT (1-PHASE 200~240V), CE(1-PHASE 220~240V)			*		1	
43		CM600100101		WEEE MARK LABEL S				*		1	
44		40005404		FAN MOTOR BRACKET				*		1	
45		SL4040891SC		SCREW M4X8				*		2	
46		SL4033091SC		SCREW M3 L=30				*		4	
47		CM300100004		VOLTAGE WARNING LABEL (50)	FOR GENERAL EXPORT (1-PHASE 200~240V), CE(1-PHASE 220~240V)			*		1	
48		CM300400601		VOLTAGE CAUTION LABEL L=63				*		1	
49		CM300100401		VOLTAGE DANGER LABEL 3 (LARGE)	FOR GENERAL EXPORT AND USE IN JAPAN (3-PHASE 200~240V)			*		1	
50		M90295800A0		FDD EARTH CORD ASM.				*		1	
51		SL4040891SC		SCREW M4X8				*		4	
52		KX000000330		WIRE SADDLE				*		1	
53		40090589		REACTOR	FOR GENERAL EXPORT AND USE IN JAPAN (3-PHASE 200~240V), CE(1-PHASE 220~240V)			*		1	
54		SL4040881SC		SCREW M4 L=8	FOR GENERAL EXPORT AND USE IN JAPAN (3-PHASE 200~240V), CE(1-PHASE 220~240V)			*		2	



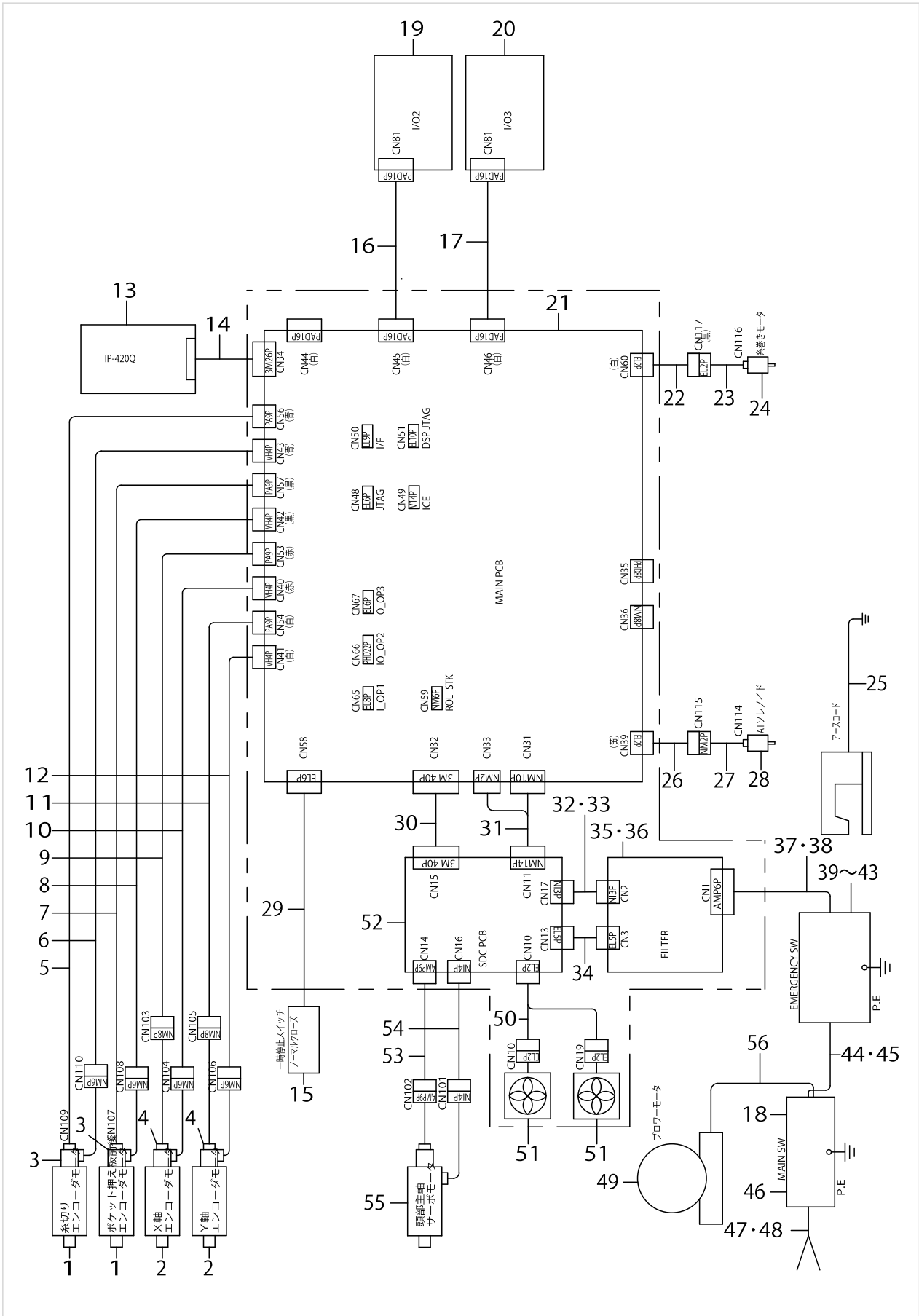
WIRING DIAGRAM (1)



WIRING DIAGRAM (1)

No.	Supply Code	Parts No.	Replacement	Parts name	Remarks	Choice	Step	Level	Cons	Qty	Rep. QTY
1		40071944		STEPPING MOTOR						2	
2		40105099		STEPPING MOTOR						2	
3		HD002780000		SENSOR						2	
4		40105098		ENCODER ASSY						2	
5		40105101		TRM ENCODER CABLE ASSY						1	
6		40105100		TRM MOTOR CABLE ASSY						1	
7		40105124		K ENCODER CABLE ASSY						1	
8		40105122		K MOTOR CABLE ASSY						1	
9		40105105		X ENCODER CABLE ASSY						1	
10		40105104		X MOTOR CABLE ASSY						1	
11		40105107		Y ENCODER CABLE ASSY						1	
12		40105106		Y MOTOR CABLE ASSY						1	
13		72000020		IP-420 TYPE Q#n						1	
14		40073679		PANEL CABLE ASSY L						1	
15		HA00006000C		SWITCH						1	
16		40105112		IO2 PCB CABLE ASSY						1	
17		40105114		IO3 PCB CABLE ASSY						1	
18		40105092		SWITCH BOX CORD ASSY	FOR GENERAL EXPORT AND C-E(1-PHASE)					1	
19		40105058		I/O2 PCB ASSY						1	
20		40105068		I/O3 PCB ASSY						1	
21		72000179		MAIN PCB ASSY						1	
22		40105133		THD WINDER CABLE 2 ASSY						1	
23		40105132		THD WINDER CABLE 1 ASSY						1	
24		13870258		BOBBIN THREAD WIDING DEVICE						1	
25		40105121		EARTH CABLE ASSY						1	
26		40105135		AT SOLENOID CABLE 2 ASSY						1	
27		40105134		AT SOLENOID CABLE 1 ASSY						1	
28		40016908		AT SOLENOID						1	
29		40105168		PAUSE SWITCH CORD ASSY						1	
30		40082736		SDC-MAIN CORD S ASSY						1	
31		40105078		SDC-MAIN CORD P ASSY						1	
32		40090589		REACTOR	FOR GENERAL EXPORT AND USE IN JAPAN (3-PHASE)					1	
33		40005393		FLT-SDC CORD P ASSY	FOR GENERAL EXPORT (1-PHASE)					1	
34		40005394		FLT-SDC CORD S ASSY						1	
35		40051320		FLT-T PCB B ASSY	FOR GENERAL EXPORT AND USE IN JAPAN (3-PHASE)					1	
36	R	40000046	40162838	FLT-S PCB A ASSY	FOR GENERAL EXPORT AND C-E(1-PHASE)					1	1.00

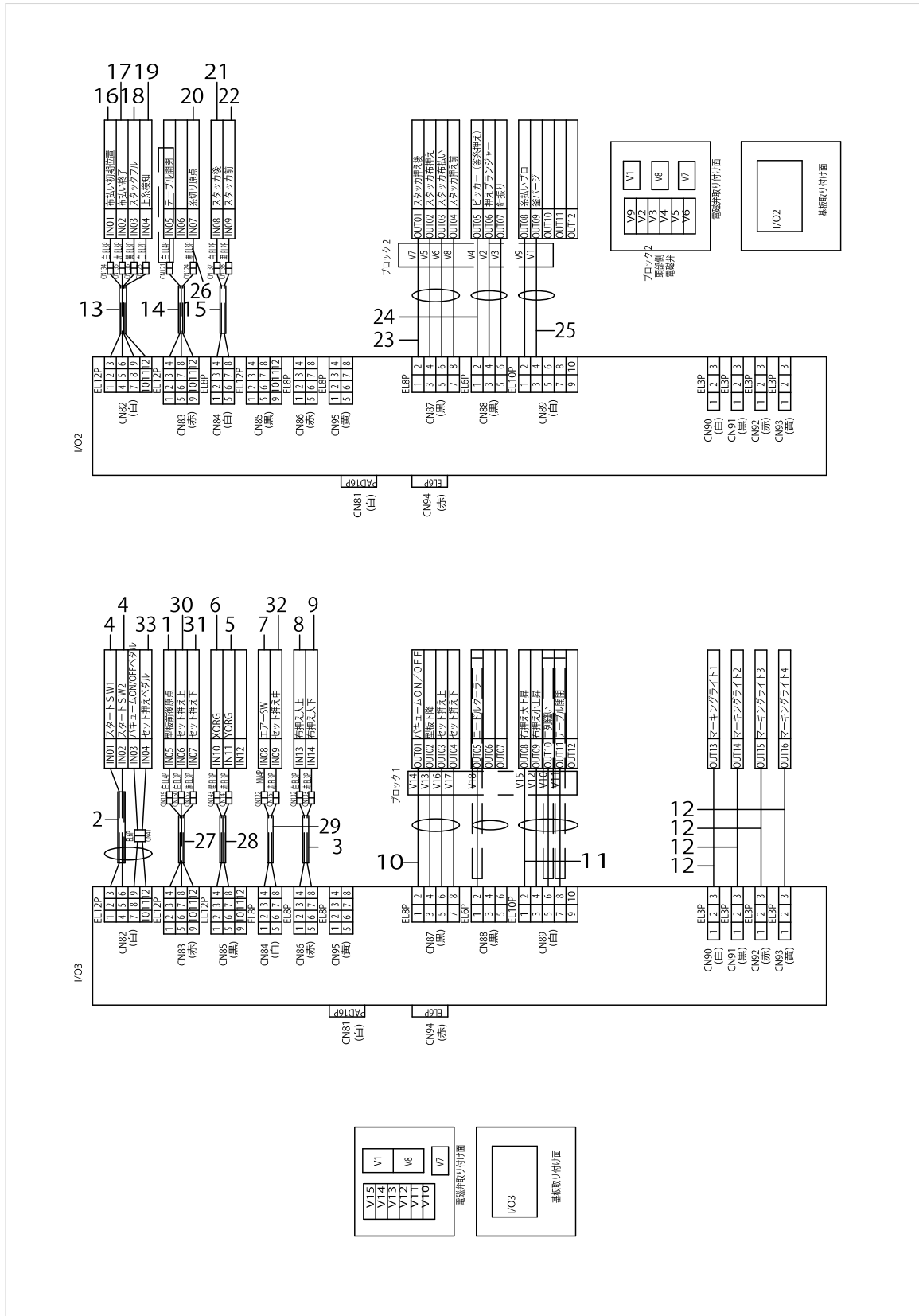
WIRING DIAGRAM (1)



WIRING DIAGRAM (1)

No.	Supply Code	Parts No.	Replacement	Parts name	Remarks	Choice	Step	Level	Cons	Qty	Rep. QTY
37		40086465		POWER CORD 3P ASSY	FOR GENERAL EXPORT AND USE IN JAPAN (3-PHASE)					1	
38		40086466		POWER CORD JE ASSY	FOR GENERAL EXPORT AND CEE(1-PHASE)					1	
39		HA006280000		SWITCH						1	
40		HA006280010		SWITCH						1	
41		HA006280020		SWITCH						1	
42		HA006280030		SWITCH						1	
43		40091335		OFF SW BOX GND PLATE						1	
44		40105088		EMERGENCY CABLE 3P ASSY	FOR GENERAL EXPORT AND USE IN JAPAN (3-PHASE)					1	
45		40105089		EMERGENCY CABLE 1P ASSY	FOR GENERAL EXPORT AND CEE(1-PHASE)					1	
46		HA005820000		SWITCH						1	
47		40058398		AC POWER CORD C ASM.	FOR GENERAL EXPORT AND USE IN JAPAN (3-PHASE)					1	
48		40058397		AC POWER CORD B ASM.	FOR GENERAL EXPORT AND CEE(1-PHASE)					1	
49		KM000000510		BLOWER MOTOR						1	
50		40031485		FAN POWER CABLE						1	
51		40005401		FAN MOTOR ASSY						2	
52		40082758		SDC PCB A ASSY						1	
53		40105109		SERVO MOTOR S CORD ASSY						1	
54		40105108		SERVO MOTOR P CORD ASSY						1	
55		40052937		550W SERVO MOTOR						1	
56		40122398		MOTOR POWER CORD ASSY						1	

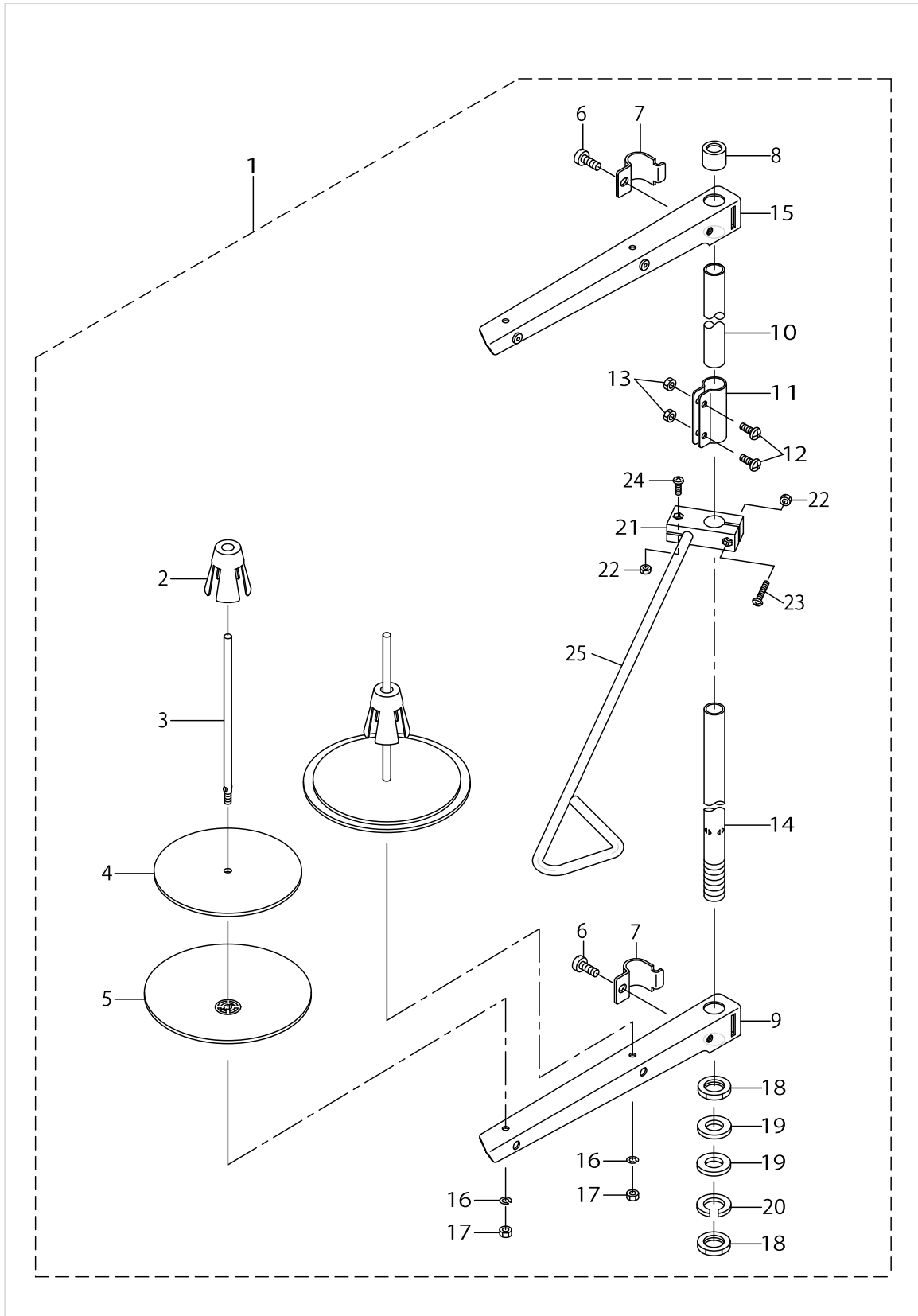
WIRING DIAGRAM (2)



WIRING DIAGRAM (2)

No.	Supply Code	Parts No.	Replacement	Parts name	Remarks	Choice	Step	Level	Cons	Qty	Rep. QTY
1		40105163		K ORG SENSOR ASSY						1	
2		72000119		IO3_CN82 CORD ASSY						1	
3		40105119		IO3_CN86 CORD ASSY						1	
4		HA004290000		SWITCH						2	
5		40105152		Y1 SENSOR ASSY						1	
6		40105154		X ORG SENSOR ASSY						1	
7		40088208		FILTER REGULATOR ASSY						1	
8		40105161		UPPER BIG CLAMP SENSOR ASSY						1	
9		40105162		LOWER BIG CLAMP SENSOR ASSY						1	
10		72000030		IO3_CN87 CORD ASSY						1	
11		72000031		IO3_CN89 CORD ASSY						1	
12		40105166		LED MARKING ASSY	OPTIONAL PARTS					4	
13		40105123		IO2_CN82 CORD ASSY						1	
14		40105129		IO2_CN83 CORD ASSY						1	
15		40105120		IO2_CN84 CORD ASSY						1	
16		40105156		DRIVE AWAY ORG SENSOR ASSY						1	
17		40105157		DRIVE AWAY END SENSOR ASSY						1	
18		40105158		STACKER FULL SENSOR ASSY						1	
19		40105165		THB SENSOR ASSY						1	
20		HD00057000A		SENSOR						1	
21		40105159		STACKER BEHIND SENSOR ASSY						1	
22		40105160		STACKER FRONT SENSOR ASSY						1	
23		40105141		IO2_CN87 CORD ASSY						1	
24		40105142		IO2_CN88 CORD ASSY						1	
25		40105143		IO2_CN89 CORD ASSY						1	
26		40105164		TRM ORG SENSOR ASSY						1	
27		72000027		IO3_CN83 CORD ASSY						1	
28		72000028		IO3_CN85 CORD ASSY						1	
29		72000029		IO3_CN84 CORD ASSY						1	
30		72000033		SET_UPPER CORD ASSY						1	
31		72000034		SET_LOWER CORD ASSY						1	
32		72000035		SET_MIDDLE CORD ASSY						1	
33		40084064		PEDAL SWITCH ASM						1	

# THREAD STAND COMPONENTS

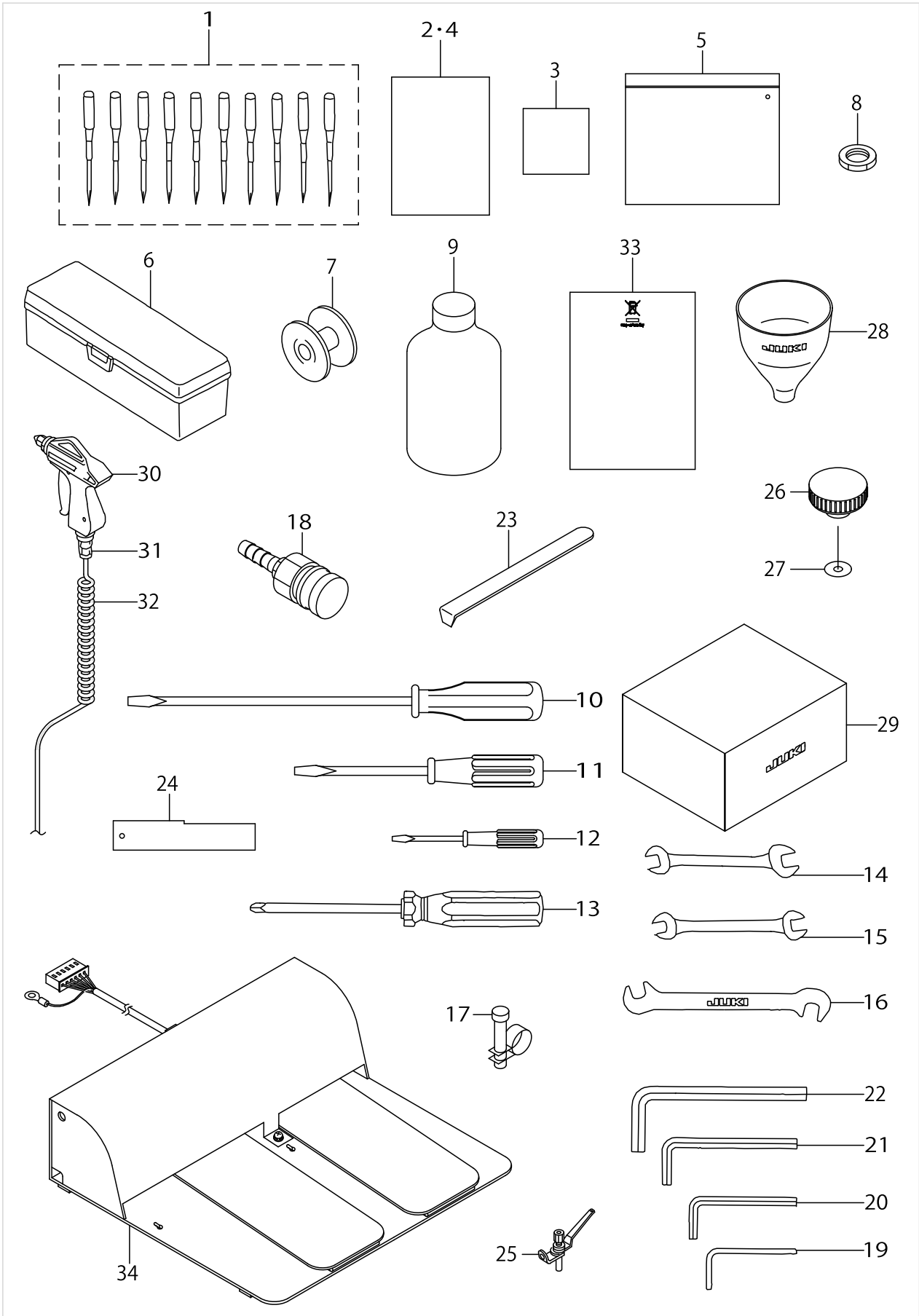


THREAD STAND COMPONENTS

No.	Supply Code	Parts No.	Replacement	Parts name	Remarks	Choice	Step	Level	Cons	Qty	Rep. QTY
1	R	26910653	40111352	THREAD STAND ASM.						1	1.00
2	R	22931109	40085791	SPOOL RETAINER				*		2	1.00
3	R	22931000	40085790	SPOOL PIN				*		2	1.00
4		22930903		SPOOL REST CUSHION				*		2	
5		22930804		SPOOL REST				*		2	
6		SM6061610SC		SCREW M6 L=16				*		2	
7	R	22930705	40096354	THREAD GUIDE ARM JOINT				*		2	1.00
8		22931406		SPOOL REST ROD RUBBER CAP				*		1	
9	R	22930507	40096354	SPOOL REST ARM				*		1	1.00
10	R	22930408	40096354	SPOOL REST ROD, UPPER				*		1	1.00
11	R	22931307	40096354	SPOOL REST ROD JOINT				*		1	1.00
12		SM4051405SE		SCREW M5 L=14				*		2	
13		NM6050001SE		NUT M5				*		2	
14	R	22930309	40096354	SPOOL REST ROD, LOWER				*		1	1.00
15	R	22930556	40096354	THREAD STANDING ARM ASM.				*		1	1.00
16		WS0510002KN		SPRING WASHER				*		2	
17		NM6050001SE		NUT M5				*		2	
18		NM6160511SE		NUT M16X1.5				*		2	
19		WP1612616SE		WASHER 16X30X2.6				*		2	
20	R	WS1643202KR	WP1612616SE	SPRING WASHER		A		*		1	2.00
20	R	WS1643202KR	40085796	SPRING WASHER		A		*		1	2.00
21	R	13168208	26910059	THREAD GUIDE ARM BASE				*		1	1.00
22		NM6040002SE		NUT M4X0.7				*		2	
23		SM4042001SC		SCREW M4 X 20				*		1	
24		SM4041201SC		SCREW M4 L=12				*		1	
25		26910604		THREAD GUIDE B				*		1	



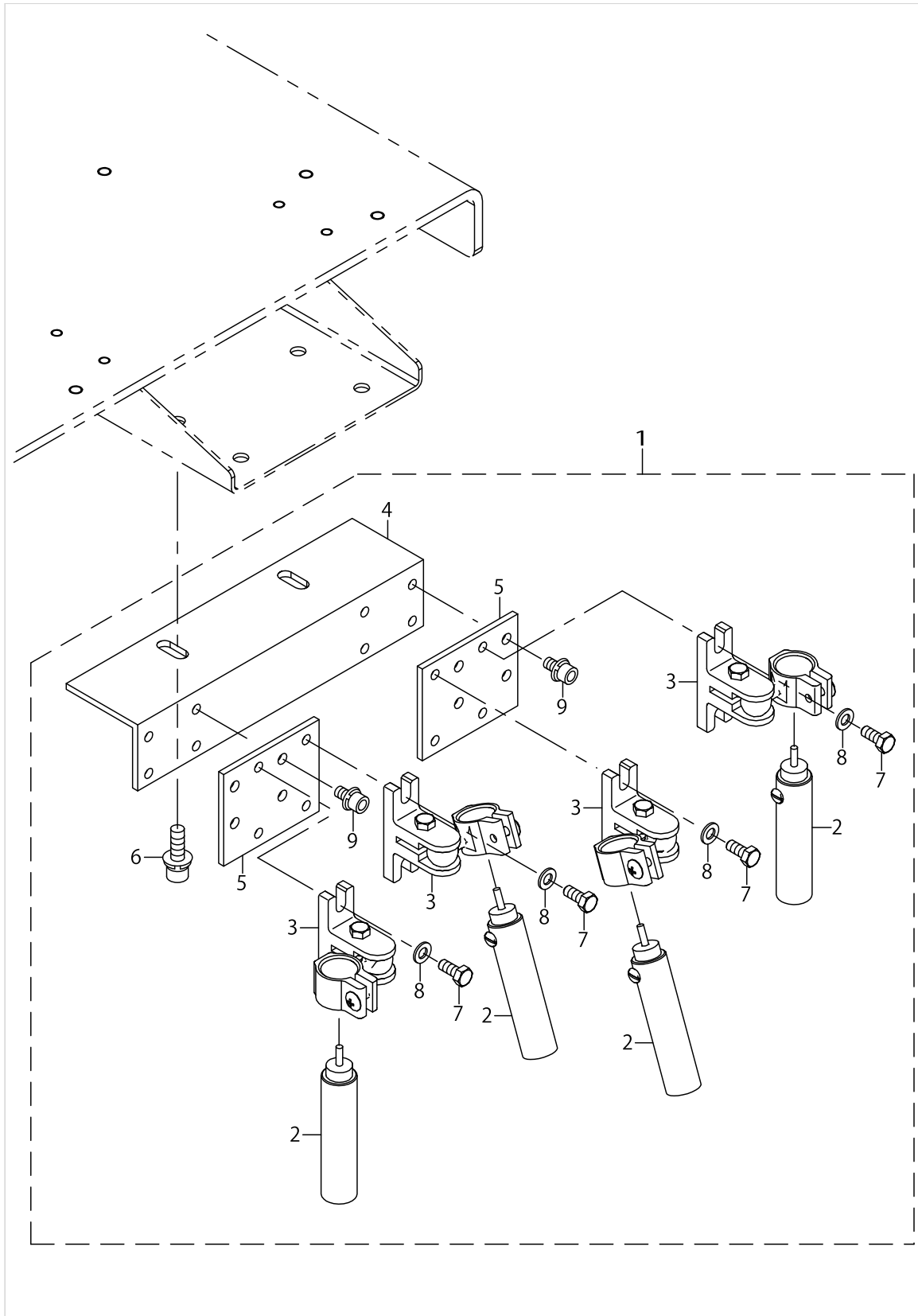
ACCESSORIES COMPONENTS



ACCESSORIES COMPONENTS

No.	Supply Code	Parts No.	Replacement	Parts name	Remarks	Choice	Step	Level	Cons	Qty	Rep. QTY
1	R	MC20053130T	MC200531300	NEEDLE (SCHMETZ 134 SERV 7) #130-10					☆	1	1.00
2		72000089		AP-874_PARTS_LIST						1	
3		72000088		AP-874_INSTRUCTION						1	
4		72000090		AP-874_SAFETY_INSTRUCTION						1	
5		22932800		ACCESSORIE BAG						1	
6		B8601WP10A0		TOOL BOX ASM.						1	
7		G1817875000		BOBBIN					☆	3	
8		NM6160511SE		NUT M16X1.5 TYPE1						1	
9		MDFRX1600C0		DEFRIX OIL NO.1 (600CC)					☆	2	
10		22933006		SCREW DRIVER						1	
11		22933105		SCREW DRIVER						1	
12		22933204		SCREW DRIVER						1	
13		J1071000000		CROSS SCREW DRIVER 2						1	
14		D9103555D00		WRENCH 6X7						2	
15		B9110804000		WRENCH (8X9)						1	
16		B9109804000		WRENCH (5X6)						1	
17		PB000010000		HOSE BAND						1	
18		PJ309520001		HIGH COUPLER SOCKET						1	
19		B9141372000		HEXAGONAL WRENCH						1	
20		B9140372000		HEXAGONAL WRENCH						1	
21		GCT02906000		HEXAGONAL SPANNER						1	
22		B9142372000		HEXAGONAL WRENCH (7.1X8.1)						1	
23		B9101490000		DRIVER						1	
24		G9101875000		HOOK TIMING GAUGE						1	
25		D1113126WA0		NEEDLE THREAD GUIDE PIN ASM.						1	
26		G8039870000		CROWN KNOB						2	
27		WP0612056SD		WASHER 6.1X18.5X2						2	
28		13160601		FUNNEL						1	
29		40055297		HEAD COVER						1	
30		40044823		AIR GUN						1	
31		PJ301065201		HALF UNION 6XPT1/4						1	
32		GSS36020000		COIL TUBE						1	
33		CM600100201		WEEE INFORMATION SHEET	FOR CE					1	
34		40084064		PEDAL SWITCH ASM						1	

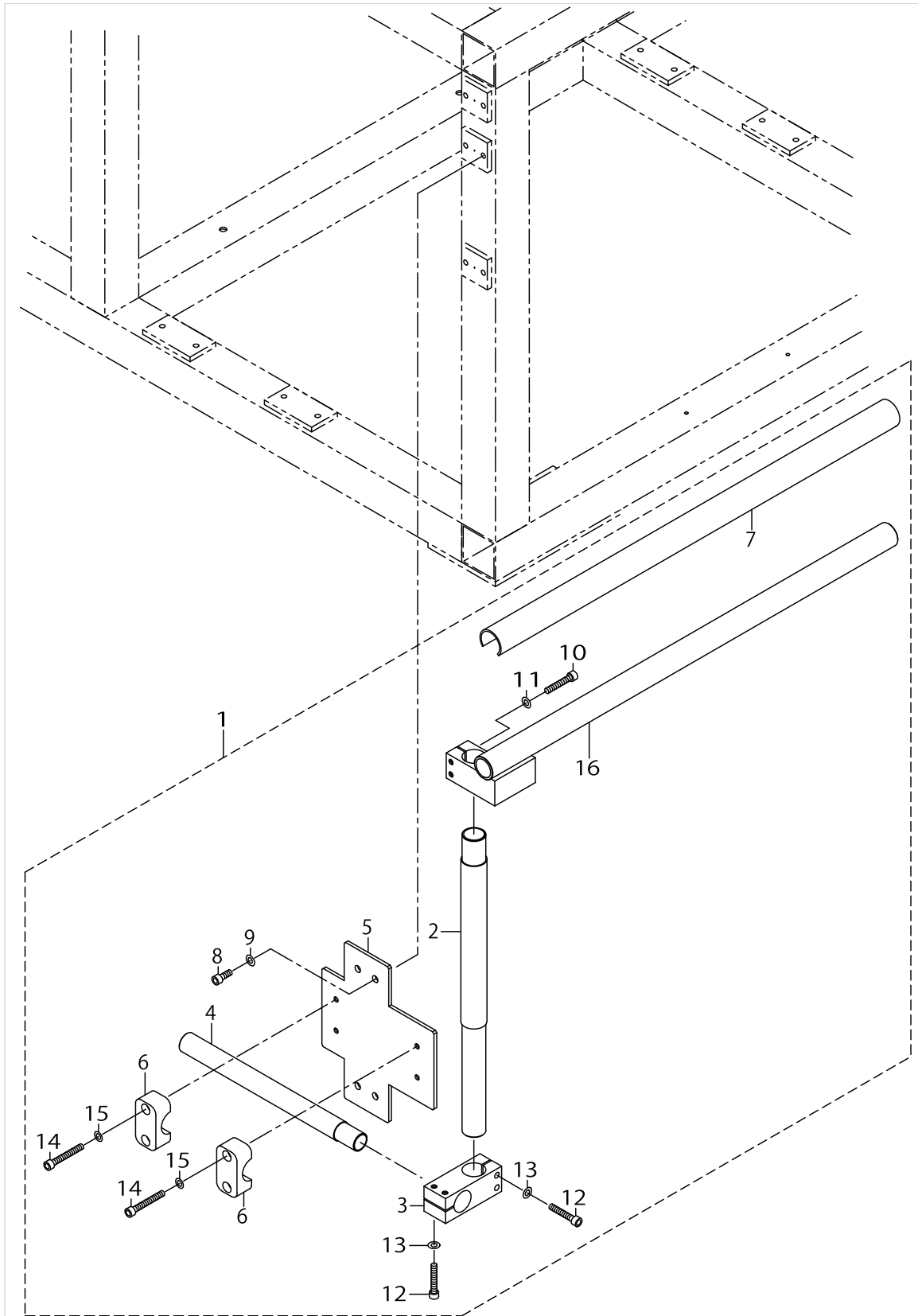
MARKING LIGHT COMPONENTS (OPTION)



MARKING LIGHT COMPONENTS (OPTION)

No.	Supply Code	Parts No.	Replacement	Parts name	Remarks	Choice	Step	Level	Cons	Qty	Rep. QTY
1		40116756		PH=MARKER						1	
2		40105166		LED MARKING ASSY				*		4	
3	R	HE000550010	40056503	LAMP				*		4	1.00
4		40119303		MARKING LIGHT SUPPORT PLATE				*		1	
5		40119293		MARKING LIGHT PLATE				*		2	
6		SL6062092TN		SCREW M6 L=20				*		2	
7		SM9051203SE		SCREW M5X0.8 L=12				*		8	
8		WP0531000SE		WASHER				*		8	
9		SL6051092TN		SCREW M5 L=10				*		8	

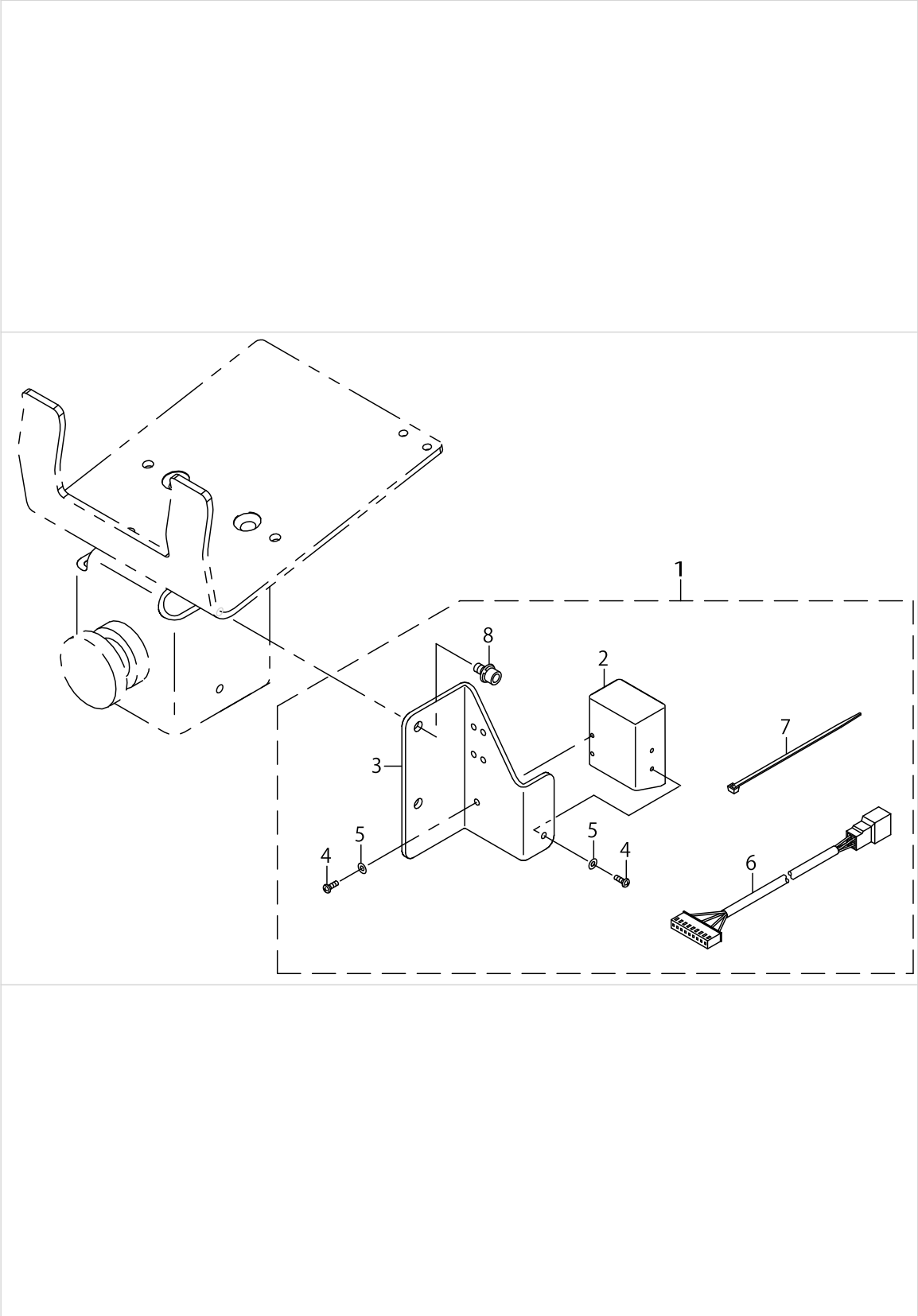
GARMENT PUT BASE COMPONENTS (OPTION)



GARMENT PUT BASE COMPONENTS (OPTION)

No.	Supply Code	Parts No.	Replacement	Parts name	Remarks	Choice	Step	Level	Cons	Qty	Rep. QTY
1		G90118750B0		GARMENT PUT BASE ASM.						1	
2		G9013875000		GARMENT PUT BASE STRUT A				*		1	
3		G9014875000		GARMENT PUT BASE COUPLING				*		1	
4		G9015875000		GARMENT PUT BASE STRUT B				*		1	
5		G9016875000		GARMENT PUT BASE FITTING BASE				*		1	
6		G9017875000		PIPE CLAMP				*		4	
7		G9018875000		GARMENT PUT BASE RUBBER				*		1	
8		SM6061602TN		SCREW M6 L=16				*		4	
9		WP0641601SC		WASHER				*		4	
10	R	SM6063502TN	SM6063502TP	HEXAGONAL-HOLE BOLT M6 L=35				*		2	1.00
11		WP0641601SC		WASHER				*		2	
12	R	SM6063502TN	SM6063502TP	HEXAGONAL-HOLE BOLT M6 L=35				*		4	1.00
13		WP0641601SC		WASHER				*		4	
14		SM6064502TP		SCREW M6 L=45				*		4	
15		WP0641600SC		WASHEW6.4X12.5X1.6				*		4	
16		G90118750A0		GARMENT PUT BASE PIPE COMPL.				*		1	

BAR CODE READER (OPTION)

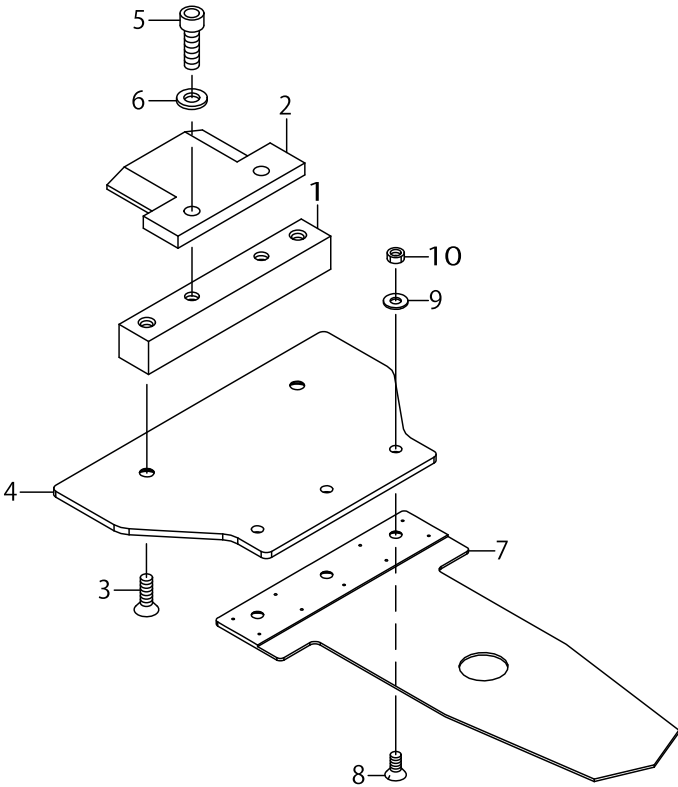


BAR CODE READER (OPTION)

No.	Supply Code	Parts No.	Replacement	Parts name	Remarks	Choice	Step	Level	Cons	Qty	Rep. QTY
1		40119168		PH=BARCODE READER						1	
2		40089237		BAR CODE READER ASSY				*		1	
3	R	40089027	40164964	BAR CODE READER BRACKET				*		1	1.00
4		SM4020601SC		SCREW M2 L=6				*		2	
5		WP0220301SC		WASHER M2				*		2	
6		40105095		BAR CODE READER CABLE B ASSY				*		1	
7		EA9500B0100		CABLE BAND				*		2	
8		SL6040892TN		SCREW M4 L=8				*		2	



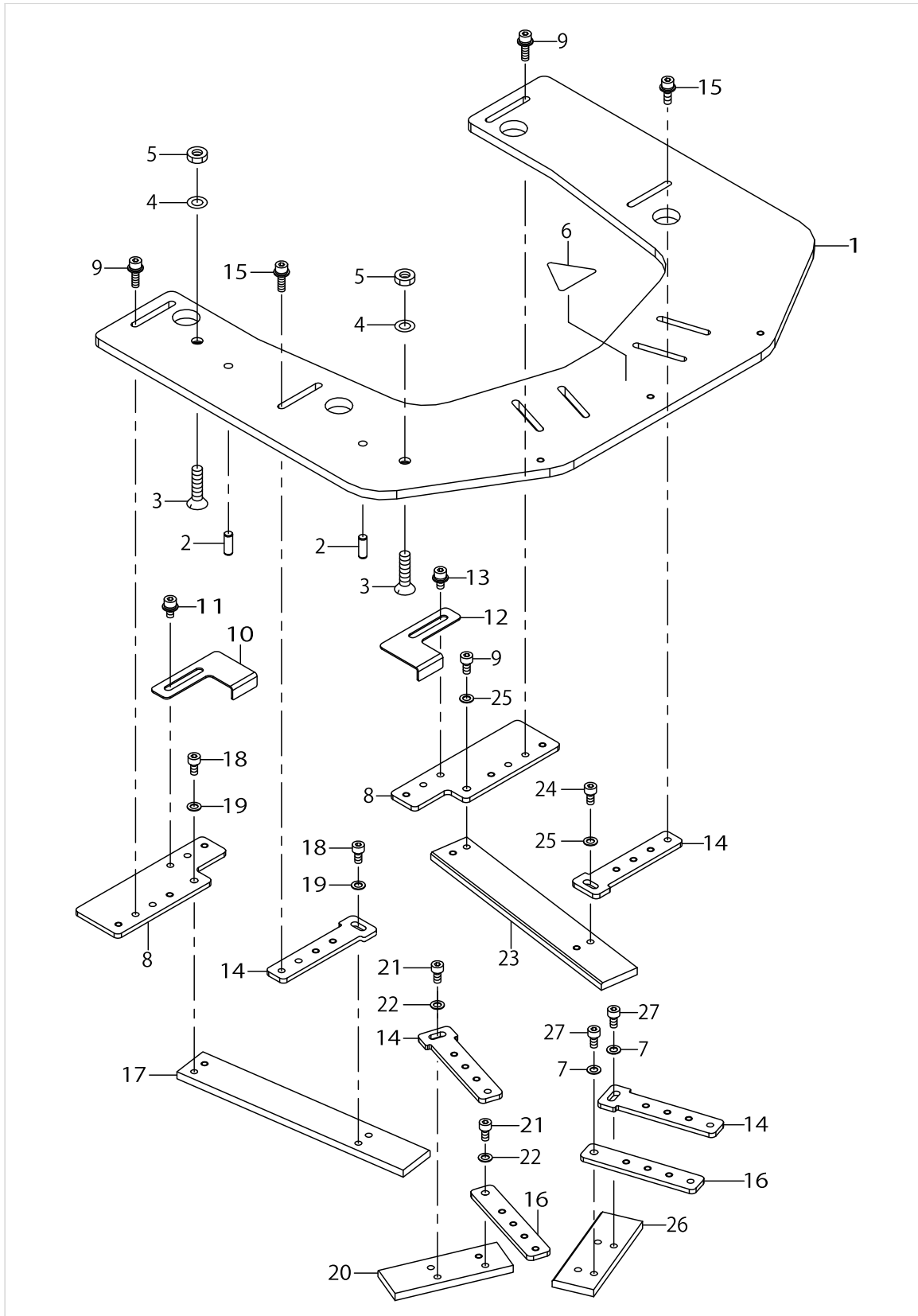
POCKET CLAMP GAGE COMPONENTS



POCKET CLAMP GAGE COMPONENTS

No.	Supply Code	Parts No.	Replacement	Parts name	Remarks	Choice	Step	Level	Cons	Qty	Rep. QTY
1		G6110875000		LOCATING PLATE						1	
2		G6019870000		ONE TOUCH LOCK PLATE						1	
3		SM1051601SC		SCREW M5X0.8 L=16						2	
4		72000151		POCKET_CLAMP_FITTING_PLATE						1	
5		SM6062002TN		SCREW M6 L=20						2	
6		WP0641601SC		WASHER						2	
7		72000152		POCKET_CLAMP_PLATE						1	
8		SS2110920TP		SCREW 11/64-40 L=8.5						3	
9		WP0450801SP		WASHER						3	
10		NS6110360SP		HEXAGONAL NUT 11/64-40						3	

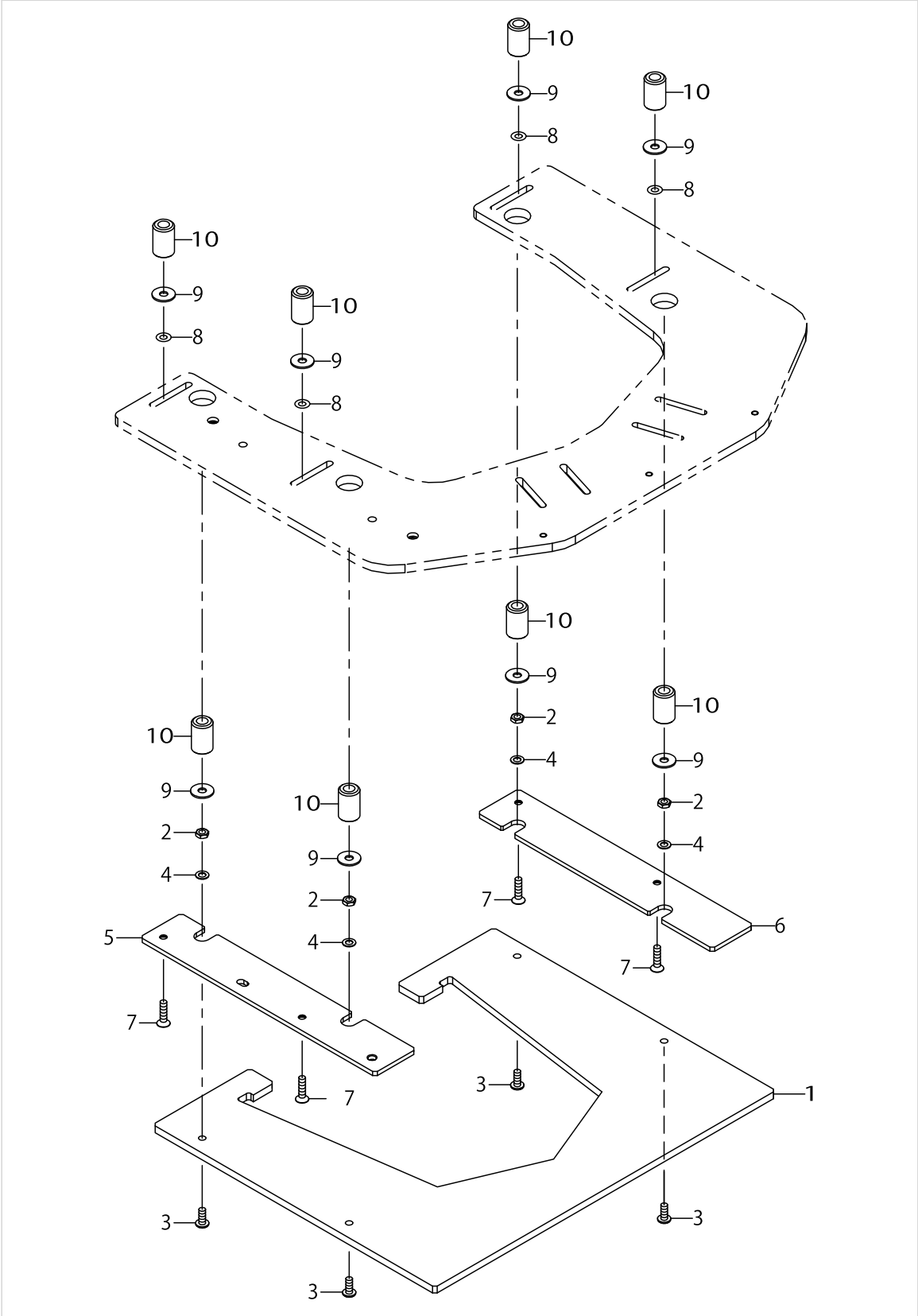
POCKET SET GAGE COMPONENTS (ADJUSTABLE TYPE)



POCKET SET GAGE COMPONENTS (ADJUSTABLE TYPE)

No.	Supply Code	Parts No.	Replacement	Parts name	Remarks	Choice	Step	Level	Cons	Qty	Rep. QTY
1		72000133		POCKET_SETTING_BASE_M						1	
2		G6017875000		GAUGE PIN						2	
3		SM1062501SE		SCREW						2	
4		WP0641600SC		WASHEW6.4X12.5X1.6						2	
5		NM6060003SC		NUT M6						2	
6		CM300200003		ATTENTION LABEL						1	
7		WP0460556SD		WASHER 4.6X7.5X0.5						2	
8		72000134		POCKET_MOUTH_SUPPORT_BAR						2	
9		SL6041292TN		SCREW						4	
10		72000135		POCKET_MOUTH_SETTING_PLATE_LEFT						1	
11		SL6040892TN		BOLT						2	
12		72000136		POCKET_MOUTH_SETTING_PLATE_RIGHT						1	
13		SL6040892TN		BOLT						2	
14		72000137		ANGEL_ADJUST_SUPPORT_BAR						4	
15		SL6041292TN		SCREW						12	
16		72000138		DISTANCE_ADJUST_SUPPORT_BAR						2	
17		72000139		POCKET_SETTING_PLATE_A_LEFT						1	
18		SM6040802TN		SCREW						2	
19		WP0460556SD		WASHER 4.6X7.5X0.5						2	
20		72000140		POCKET_SETTING_PLATE_B_LEFT						1	
21		SM6040802TN		SCREW						2	
22		WP0460556SD		WASHER 4.6X7.5X0.5						2	
23		72000141		POCKET_SETTING_PLATE_A_RIGHT						1	
24		SM6040802TN		SCREW						2	
25		WP0460556SD		WASHER 4.6X7.5X0.5						2	
26		72000142		POCKET_SETTING_PLATE_B_RIGHT						1	
27		SM6040802TN		SCREW						2	

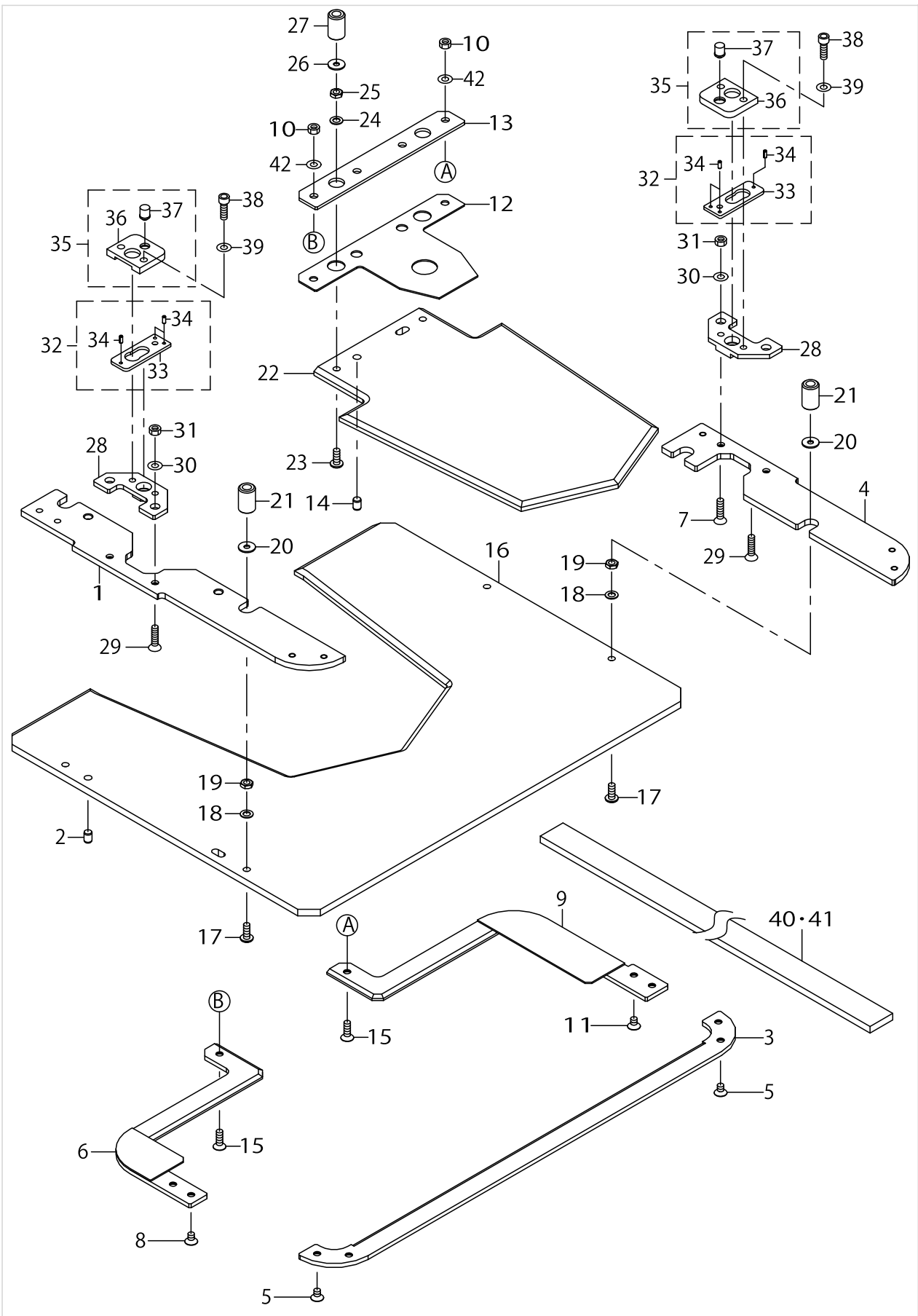
POCKET SET GAGE COMPONENTS (FIXED TYPE)



POCKET SET GAGE COMPONENTS (FIXED TYPE)

No.	Supply Code	Parts No.	Replacement	Parts name	Remarks	Choice	Step	Level	Cons	Qty	Rep. QTY
1		72000155		OUTSIDE_SETTING_PLATE						1	
2		NM6040003SD		NUT M4						4	
3		SM6041050TP		SCREW						4	
4		WP0460556SD		WASHER 4.6X7.5X0.5						4	
5		72000156		POCKET_SETTING_PLATE_SUPPORT_A						1	
6		72000157		POCKET_SETTING_PLATE_SUPPORT_B						1	
7		SM1041601SC		SCREW M4X0.7 L=16						4	
8		WP0430801SC		WASHER M4						4	
9		WP0501046SC		WASHER 5 X 13 X 1						8	
10		72000160		KNOB						8	

CLOTH PRESSER GAGE COMPONENTS



CLOTH PRESSER GAGE COMPONENTS

No.	Supply Code	Parts No.	Replacement	Parts name	Remarks	Choice	Step	Level	Cons	Qty	Rep. QTY
1		72000169		PRESSER_BASE_FITTING_PLATE_LEFT						1	
2		G6017875000		GAUGE_PIN						2	
3		72000171		LOWER_BASE_LINK						1	
4		72000170		PRESSER_BASE_FITTING_PLATE_RIGHT						1	
5		SM1040601SC		SCREW M4X0.7 L=6						4	
6		72000172		UPPER_BASE_LINK_LEFT						1	
7		SM1041601SC		SCREW M4X0.7 L=16						1	
8		SM1040601SC		SCREW M4X0.7 L=6						2	
9		72000173		UPPER_BASE_LINK_RIGHT						1	
10		NM6040001SC		NUT M4X0.7 TYPE1						2	
11		SM1040601SC		SCREW M4X0.7 L=6						1	
12		72000174		INSIDE_PRESSER_SUPPORT_PLATE						1	
13		72000175		UPPER_BASE_FITTING_PLATE						1	
14		G6017875000		GAUGE_PIN						2	
15		SM1041201SC		SCREW M4 L=12						2	
16		72000176		OUSIDE_PRESSER_PLATE						1	
17		SM6041050TP		SCREW						4	
18		WP0460556SD		WASHER 4.6X7.5X0.5						4	
19		NM6040003SD		NUT M4						4	
20		WP0501046SC		WASHER 5 X 13 X 1						4	
21		72000160		KNOB						4	
22		72000177		INSIDE_PRESSER_PLATE						1	
23		SM6041050TP		SCREW						2	
24		WP0460556SD		WASHER 4.6X7.5X0.5						2	
25		NM6040003SD		NUT M4						2	
26		WP0501046SC		WASHER 5 X 13 X 1						2	
27		72000160		KNOB						2	
28		72000178		BALL CATCH						2	
29		SM1041201SC		SCREW M4 L=12						3	
30		WP0430801SC		WASHER M4						4	
31		NM6040001SC		NUT M4X0.7 TYPE1						4	
32		G61208750A0		BALL SUPPORT ASM.						2	
33	R	G6120875000A	G61208750A0	BALL SUPPORT				*		1	1.00
34		PS0200052KH		SPRING PIN 2.3X5				*		3	
35		G61198750A0		BALL SUPPORT FIXING PLATE ASM.						2	
36	R	G6119875000A	G61198750A0	BALL SUPPORT FIXING PLATE				*		1	1.00
37		G6122875000		BALL SUPPORT PLUNGER				*		1	
38		SM6041002TN		BOLT						4	
39		WP0430801SC		WASHER M4						4	
40		G611387500A		CLOTH PRESSER SPONGE A						2	
41		G6113875000		CLOTH PRESSER SPONGE						1	
42		WP0430801SC		WASHER M4						2	



## HOW TO MAKE USE OF THIS PARTS LIST

1.As to "#01" and "#02" refer to the "Note" given at the bottom of the respective pages.

2.Codes on the "Qty" column

- Each numeral indicates the number of parts required.
- "0.1" and "2.5" indicate the length (in meters) of the respective parts.

3.Parentheses mean that the corresponding part is a subpart that constructs an assembly part.

4.Dotted lines on the Figures indicate assembly parts.

5.As to the parts with marks of "☆"(Consumable parts)and "◎"(optional parts)on the respective parts, it is recommended to prepare spares.

1. リストページの#01、#02の印は、ページ下の"注記"の説明を参照下さい。
2. 数量欄の数字は、個数を表し、0.1、2.5等の数値は、長さ（単位メートル）を表します。
3. 数量欄の（ ）は、組部品を構成している子部品であることを意味します。
4. イラストページの-----枠は、組構成であることを意味します。
5. リストページの"☆"（消耗部品）、"◎"（オプション部品）の印が付いた部品は、予備を準備しておくことをお奨めします。

# NUMERICAL INDEX OF PARTS

PART NO	PAGE	REF NO.	PART NO	PAGE	REF NO.	PART NO	PAGE	REF NO.
10126803	32	58	13719505	12	56~60	22925002	34	3
10502300	76	8	13719802	2	13	22925101	32	51
110042J5	8	6	13728506	30	28	22930309	94	14
11017068	12	47	13730304	10	8	22930408	94	10
11073954	4	50	13751607	30	14	22930507	94	9
11091600	12	52	13765201	30	45	22930556	94	15
11273505	24	16	13765607	30	31	22930705	94	7
11409257	24	6	13765706	30	3	22930804	94	5
11409604	24	8	13765805	30	4	22930903	94	4
11409802	24	7	13765904	30	1	22931000	94	3
11528809	58	59	13766407	30	17	22931109	94	2
11911203	22	12	13766506	30	18	22931307	80	59
13160601	96	28	13766605	30	20	22931307	94	11
13168208	94	21	13767405	30	22	22931406	94	8
13170105	36	8	13767603	30	15	22932800	96	5
13301908	28	3	13870258	76	3	22933006	96	10
13301908	38	21	13870258	88	24	22933105	96	11
13302500	28	4	13889951	76	17	22933204	96	12
13302500	38	20	13920509	2	16	22950000	24	28
13705207	2	15	13920608	10	41	22950356	24	41
13707500	6	38	13922208	2	11	22950950	22	18
13714407	12	53	13922901	6	19	23517501	28	19~22
13714704	10	37	13924501	10	13	23517600	28	19~22
13714803	10	35	13924600	10	34	23517709	28	19~22
13715404	10	2	13925102	10	38	23517808	28	19~22
13715503	10	3	13940804	30	10	23604309	6	42
13715701	10	27	13940903	32	57	25023300	68	45
13715909	10	32	13941307	30	27	26023408	56	22
13716006	10	31	13941604	30	43	26211904	2	26
13716105	14	34	13941653	30	42	26212209	2	36
13716303	14	12	13941802	32	47	26910604	94	25
13716808	16	50	14208409	18	15	26910653	94	1
13716907	16	49	17845009	84	30	40000046	84	19·40
13717004	14	32	22507701	10	42	40000046	88	35·36
13717400	14	36	22687701	50	81	40005393	84	34
13718705	10	19	22798607	20	41	40005393	88	32·33
13718754	10	18	22902506	18	5	40005394	86	35
13718804	10	20	22903108	6	9	40005394	88	34
13718903	10	16	22903157	6	5	40005401	84	23
13719000	10	10	22907505	18	12	40005401	90	51
13719000	14	25	22907554	18	11	40005404	86	44
13719109	12	56~60	22907604	18	13	40005706	84	27
13719208	12	56~60	22916506	22	17	40006515	6	39
13719307	12	56~60	22921605	20	10	40006516	6	35
13719406	12	56~60	22924906	34	4	40006625	20	38

# NUMERICAL INDEX OF PARTS

PART NO	PAGE	REF NO.	PART NO	PAGE	REF NO.	PART NO	PAGE	REF NO.
40009095	16	51	40071944	28	7	40105073	56	10
40009236	56	26	40071944	64	1	40105074	78	19
40010443	28	33	40071944	88	1	40105075	78	43
40010477	20	26	40072028	22	28	40105076	80	52
40010478	20	9	40072166	50	62	40105078	86	36
40010509	20	2	40072228	28	15	40105078	88	31
40010511	20	4	40073679	88	14	40105088	90	44·45
40010512	20	32	40074011	78	15	40105089	90	44·45
40010513	20	6	40075985	2	20	40105092	88	18
40010514	20	7	40075985	42	26	40105095	102	6
40010515	20	8	40077991	64	22	40105098	48	18
40010521	20	11	40078113	28	14	40105098	88	4
40010522	20	12	40078163	82	2	40105099	48	15
40010523	20	13	40078168	82	9	40105099	88	2
40011758	64	42	40080799	82	3	40105100	88	6
40016908	20	23	40080800	82	4	40105101	88	5
40016908	88	28	40082736	86	37	40105104	88	10
40016911	20	34	40082736	88	30	40105105	88	9
40023624	28	16	40082758	84	17	40105106	88	12
40023635	56	16	40082758	90	52	40105107	88	11
40023644	56	15	40083666	82	7	40105108	90	54
40031485	90	50	40083668	82	6	40105109	90	53
40032219	64	13	40083960	82	10	40105112	88	16
40032229	56	18	40084064	92	33	40105114	88	17
40035024	82	16	40084064	96	34	40105119	92	3
40035137	64	34	40085820	56	19	40105120	92	15
40035143	78	36	40085830	56	32	40105121	88	25
40035147	78	38	40086465	86	41	40105122	88	8
40035314	64	37	40086465	90	37·38	40105123	92	13
40039896	78	28	40086466	84	32	40105124	88	7
40040256	28	18	40086466	90	37·38	40105129	92	14
40044823	96	30	40086541	82	5	40105132	88	23
40051320	86	19·40	40088163	20	24	40105133	88	22
40051320	88	35·36	40088208	72	30	40105134	88	27
40052937	6	23	40088208	92	7	40105135	88	26
40052937	90	55	40089027	102	3	40105141	92	23
40055174	14	9	40089237	102	2	40105142	92	24
40055175	14	15	40090589	86	53	40105143	92	25
40055176	14	10	40090589	88	32·33	40105152	92	5
40055297	96	29	40091335	38	12~16	40105154	92	6
40055355	84	4	40091335	90	39~43	40105156	92	16
40055356	84	5	40093183	36	39	40105157	92	17
40055357	84	6	40105058	88	19	40105158	92	18
40058397	90	47·48	40105068	88	20	40105159	92	21
40058398	90	47·48	40105072	56	9	40105160	92	22

# NUMERICAL INDEX OF PARTS

PART NO	PAGE	REF NO.	PART NO	PAGE	REF NO.	PART NO	PAGE	REF NO.
40105161	92	8	40116068	50	70	40116201	80	79
40105162	92	9	40116069	50	79	40116202	78	24
40105163	92	1	40116070	50	83	40116208	72	22
40105164	92	26	40116071	50	85	40116209	72	20
40105165	20	15	40116072	54	2	40116210	72	28
40105165	92	19	40116074	54	6	40116212	72	38
40105166	92	12	40116076	54	10	40116214	36	18
40105166	98	2	40116077	54	19	40116215	38	31
40105167	38	44	40116078	54	21	40116216	38	37
40105168	88	29	40116079	54	22	40116217	38	8
40105169	50	92	40116080	56	1	40116218	38	17
40115898	38	19	40116081	56	3	40116219	36	24
40115899	46	2	40116082	56	24	40116220	36	37
40116033	36	1	40116083	56	29	40116229	2	25
40116034	6	29	40116085	56	31	40116230	2	29
40116036	28	1	40116086	56	33	40116231	2	31
40116037	28	2	40116087	56	36	40116232	6	25
40116038	28	11	40116088	58	60	40116233	6	1
40116039	24	40	40116165	68	1	40116234	6	44
40116040	24	26	40116172	36	20	40116235	6	30
40116041	28	25	40116176	38	24	40116236	10	1
40116042	28	29	40116177	42	19	40116238	20	1
40116044	46	1	40116178	78	1	40116239	20	3
40116045	46	3	40116179	78	3	40116240	20	20
40116046	46	5	40116180	78	5	40116241	20	21
40116047	46	7	40116181	78	7	40116242	20	29
40116048	46	12	40116182	78	11	40116243	20	31
40116049	48	1	40116183	78	13	40116244	20	40
40116050	48	4	40116184	78	14	40116245	20	43
40116051	48	9	40116185	78	17	40116246	26	47
40116053	48	23	40116186	78	21	40116247	28	35
40116054	48	28	40116187	78	23	40116248	28	39
40116055	48	32	40116188	78	29	40116249	32	59
40116056	48	38	40116189	78	37	40116250	32	60
40116057	48	39	40116190	78	41	40116251	2	18
40116058	48	42	40116191	80	47	40116257	34	18
40116059	48	46	40116192	80	49	40116401	42	1
40116060	50	48	40116193	80	51	40116402	42	3
40116061	50	50	40116194	80	57	40116403	42	6
40116062	50	54	40116195	80	58	40116404	42	8
40116063	50	55	40116196	80	62	40116405	42	10
40116064	50	57	40116197	80	74	40116406	42	12
40116065	50	61	40116198	80	76	40116407	42	14
40116066	50	65	40116199	80	77	40116408	42	17
40116067	50	66	40116200	80	78	40116409	42	22

NUMERICAL INDEX OF PARTS

PART NO	PAGE	REF NO.	PART NO	PAGE	REF NO.	PART NO	PAGE	REF NO.
40116410	42	24	72000031	92	11	72000128	66	61
40116411	42	28	72000033	60	19·20~	72000130	62	52
40116412	42	31			22	72000131	62	55
40116413	42	33	72000033	92	30	72000132	62	49
40116415	42	38	72000034	60	19·20~	72000133	106	1
40116416	42	40	72000034	92	22	72000134	106	8
40116417	42	42			31	72000135	106	10
40116418	42	44	72000035	60	19·20~	72000136	106	12
40116419	42	46	72000035	92	22	72000137	106	14
40116420	44	48	72000036	60	32	72000138	106	16
40116421	44	50	72000037	60	16	72000139	106	17
40116422	44	52	72000038	60	1	72000140	106	20
40116429	64	4	72000040	60	8	72000141	106	23
40116430	64	6	72000041	60	14	72000142	106	26
40116431	64	7	72000042	60	25	72000151	106	4
40116432	64	11	72000043	60	26	72000152	104	7
40116433	64	15	72000044	60	32	72000155	108	1
40116435	64	20	72000045	60	34	72000156	108	5
40116436	64	24	72000046	60	30	72000157	108	6
40116437	64	29	72000047	60	27	72000160	108	10
40116438	64	30	72000048	60	36	72000160	110	27
40116440	64	43	72000049	62	37	72000169	110	1
40116441	64	45	72000050	60	46	72000170	110	4
40116442	66	47	72000051	60	44	72000171	110	3
40116443	66	49	72000052	40	43	72000172	110	6
40116444	66	56	72000053	40	47	72000173	110	9
40116518	78	35	72000054	40	48	72000174	110	12
40116519	78	33	72000055	40	51	72000175	110	13
40116548	36	2	72000056	40	56	72000176	110	16
40116756	98	1	72000057	72	60	72000177	110	22
40119074	42	36	72000058	72	42	72000178	110	28
40119168	102	1	72000059	40	44	72000179	84	15
40119293	98	5	72000079	68	62	72000179	88	21
40119303	98	4	72000082	38	37	72000182	58	46
40122398	70	47	72000083	68	23	A1230500000A	6	33
40122398	90	56	72000084	54	36	B1123205000	68	5
72000014	84	1~3	72000085	54	4	B1144210000	6	37
72000015	84	1~3	72000088	96	8	B1172581000A	36	7
72000016	84	1~3	72000089	96	3	B1211980000	6	16
72000020	82	1	72000090	96	2·4	B1212210D00	6	32
72000020	88	13	72000117	60	2·4	B1213552000A	6	2
72000027	92	27			19·20~	B1214038000	30	24
72000028	92	28	72000118	68	22	B1215552000	6	4
72000029	92	29	72000119	92	40	B1220771000	6	15
72000030	92	10	72000127	66	2	B1226552000	6	3
					58			

# NUMERICAL INDEX OF PARTS

PART NO	PAGE	REF NO.	PART NO	PAGE	REF NO.	PART NO	PAGE	REF NO.
B13061550A0	8	1	BT0500300EA	32	55	EA9500B0200	54	17
B13071550A0	8	2	BT0500300EG	30	36	G1015192000	38	39
B13081550A0	22	20	BT0500300EG	34	1	G1016192000	38	38
B1410771000	10	5	BT0600401EB	72	36	G1111875000	2	4
B1414232000	10	7	BT0600401EB	80	68-69	G1112875000	2	7
B1432761000	16	52	BT0800501EB	72	35	G1113875000	2	1
B1432761000	56	27	CM300100004	86	47	G1116875000	2	10
B1504051000	18	16	CM300100401	86	49	G1117875000	2	5
B1504210000	56	6	CM300200001	2	23	G1118875000	2	8
B1611220000	18	14	CM300200001	18	31	G1119875000	2	2
B1618804000	24	31	CM300200003	58	62	G1135870000	2	38
B1802180000	48	40	CM300200003	60	11	G1206875000	6	11
B1850512000	32	48	CM300200003	106	6	G1211870000	22	16
B1903552000	12	54	CM300400601	86	48	G12128700A0	6	13
B1905541A00	12	48~51	CM600100101	82	14	G1216870000	6	22
B1905541B00	12	48~51	CM600100101	86	43	G1216870000	48	41
B1905541C00	12	48~51	CM600100201	96	33	G1220870000A	6	21
B1905541D00	12	48~51	CQ202000000	30	34	G1301875000	8	5
B2006372000	14	37	CQ252000000	2	44	G1302875000	8	3
B2504221D00	50	68	CQ3000000F0	10	44	G1303870000	22	15
B2505221D00	50	77	CQ3000000F0	30	35	G1401875000	10	40
B255728000A	24	17	CQ303000000	30	33	G14058750A0	10	11
B2703210000	20	17	CS0640611SP	76	5	G1415875000	10	26
B3118352000	30	46	CS079073ASH	22	21	G14158750A0	10	25
B3212761000	76	7	CS0800971TP	64	9	G1416875000	10	28
B3502210000	2	42	CS1000881TP	64	8	G1421875000	14	1
B3508220000	32	64	CS1401014SP	10	24	G1422875000	14	20
B3509220000	2	43	CS1401014SP	14	39	G1423875000	14	21
B3534155000	30	23	CS140101ASP	10	22	G1424875000	14	7
B3541012000	30	32	CS140101ASP	14	38	G1426875000	14	17
B3570771000	30	44	CS150101ATH	6	17	G1427875000	14	27
B4420373000	68	4	CS1501171TP	48	43	G1428875000	14	29
B8601WP10A0	96	6	CS1501171TP	78	39	G1429875000	14	41
B9101490000	96	23	CS1601211TH	66	50	G1430875000	14	42
B9109804000	96	16	D1113126WA0	96	25	G1431875000	14	13
B9110804000	96	15	D3902481C00A	6	34	G1601875000	18	2
B9140372000	96	20	D9103555D00	96	14	G16018750A0	18	1
B9141372000	96	19	E2314715000	50	53	G1603875000	18	18
B9142372000	96	22	E9567319000	84	12	G1604875000	18	21
BT0400251EB	18	7	EA9500B0100	32	54	G1605870000	18	24
BT0400251EB	22	30	EA9500B0100	54	16	G1606875000	18	22
BT0400251EB	60	24	EA9500B0100	58	69	G1610870000	18	26
BT0400251EB	72	37	EA9500B0100	62	51	G1611870000	18	23
BT0400251EB	80	68-69	EA9500B0100	80	73	G1801875000	22	1
BT0500300EA	30	55	EA9500B0100	102	7	G1802875000	22	3

NUMERICAL INDEX OF PARTS

PART NO	PAGE	REF NO.	PART NO	PAGE	REF NO.	PART NO	PAGE	REF NO.
G18028750A0	22	2	G35328750A0	2	41	G7515870000	36	29
G1803875000	22	4	G5006870000	46	17	G7521870000	36	34
G1804870000	22	31	G5026162000	36	22	G7524870000	36	26
G1805870000	22	32	G5030171000	46	16	G7524870000	80	54
G18068700B0	22	33	G5171136000	68	32	G7525870000	36	25
G1808870000	22	6	G5176136000	68	39	G8010875000	38	26
G1810870000	22	8	G5344172000	68	10	G8011870000	36	10
G18118700A0	22	9	G5345172000	68	9	G8012870000	36	11
G1813870000	22	11	G5453161000	54	18	G8013875000	38	1
G18138700A0	22	10	G5453161000	68	46	G8014875000	38	3
G18168750A0	22	7	G5454161000	38	46	G8018875000	36	30
G1817875000	22	26	G5501875000	56	39	G8031875000	76	2
G1817875000	96	7	G5502875000	56	40	G80318750A0	76	1
G19028750A0	12	46	G5503875000	56	41	G80328750A0	76	16
G2313870000	20	16	G5504875000	56	42	G8033875000	76	9
G2406870000	24	25	G5511875000	58	54	G8039870000	96	26
G2408870000	24	27	G5523880000	66	54	G8113875000	36	16
G2409875000	24	4	G5611341000	80	67	G90118750A0	100	16
G24098750A0	24	3	G6012870000	66	64	G90118750B0	100	1
G2410870000	24	5	G6014870000	66	65	G9013875000	100	2
G2415875000	24	44	G60168700A0	64	38	G9014875000	100	3
G2416875000	24	45	G6017875000	106	2	G9015875000	100	4
G2417875000	24	46	G6017875000	110	14	G9016875000	100	5
G2418875000	24	12	G6019870000	104	2	G9017875000	100	6
G2419875000	24	13	G6028875000	60	39	G9018875000	100	7
G2420875000	24	14	G6029875000	60	40	G9101875000	96	24
G2421875000	24	38	G6108870000	66	63	GAC01002A00	48	8
G2422875000	24	15	G6110875000	104	1	GAC01002A00	64	27
G3216270000	76	10	G6113875000	110	40·41	GAK01003B00	58	55
G3513870000	34	6	G611387500A	110	40·41	GAK33032000	80	81
G3514870000	34	5	G6118870000	78	46	GCT02906000	96	21
G3515870000	34	2	G6119875000A	110	36	GLA02302000	58	58
G3516875000	32	52	G61198750A0	110	35	GMC10004000	68	12
G3517875000	30	26	G6120875000A	110	33	GMC100050A0	68	11
G35178750A0	30	25	G61208750A0	110	32	GMC10007000	68	13
G3519870000	34	20	G6122875000	110	37	GMC16005000	68	38
G3520870000	34	16	G6206875000	50	88	GSS36020000	96	32
G3522870000	30	12	G6206875000	54	1	HA00006000C	38	10·11
G3526870000	34	12	G6206875000	60	38	HA00006000C	88	15
G3527870000	34	13	G6207875000A	68	41	HA004290000	38	2
G3528870000	34	14	G6208875000A	68	43	HA004290000	92	4
G3528875000	34	7	G6211875000	68	44	HA004290010	38	10·11
G3529870000	34	15	G62528750A0	68	17	HA005820000	36	45
G3529875000	34	8	G6253875000	68	28	HA005820000	90	46
G3531875000	30	8	G6505880000	14	6	HA006280000	38	12~16

# NUMERICAL INDEX OF PARTS

PART NO	PAGE	REF NO.	PART NO	PAGE	REF NO.	PART NO	PAGE	REF NO.
HA006280000	90	39~43	M90295800A0	86	50	NS6150430SP	56	28
HA006280010	38	12~16	MC200531300	10	45	PA1001013A0	24	34
HA006280010	90	39~43	MC20053130T	96	1	PA1501010A0	14	2
HA006280020	38	12~16	MDFRX1600C0	96	9	PA200051100	64	32
HA006280020	90	39~43	NM3040520SC	84	26	PA2001004A0	58	50
HA006280030	38	12~16	NM6020001SC	20	33	PA200201000	18	3
HA006280030	90	39~43	NM6030001SC	20	37	PA200201100	68	23
HD00057000A	28	31	NM6030001SC	68	16	PA201250400	60	17
HD00057000A	66	60	NM6040001SC	68	22	PA900046000	60	18
HD00057000A	92	20	NM6040001SC	110	31	PA900060000	78	45
HD002780000	28	9	NM6040001SP	28	23	PB000010000	96	17
HD002780000	64	2	NM6040002SE	94	22	PC012401000	56	12
HD002780000	88	3	NM6040003SD	108	2	PC015106000	80	65
HE000550010	98	3	NM6040003SD	110	25	PC015108000	60	23
HM000550010	68	19	NM6050001SC	38	29	PC015108000	64	33
HW002180200	82	15	NM6050001SC	68	26	PC015108000	80	64
HX00013000C	36	43	NM6050001SE	80	61	PC0205010A0	72	8
HX000550000	68	31	NM6050001SE	94	17	PC022403E00	26	48
HX00150000A	54	12	NM6050003SC	32	62	PJ020500001	34	22
HX00150000B	54	14	NM6060001CP	40	54	PJ032052503	34	21
HX00150000C	58	66	NM6060001CP	60	7	PJ032052503	58	51
HX00150000C	60	48	NM6060001SC	2	28	PJ046052503	18	27
HX00150000C	62	48	NM6060001SC	36	33	PJ301060503	72	17
HX00150000C	76	15	NM6060001SC	38	43	PJ301065201	96	31
HX00150000D	80	71	NM6060001SC	48	37	PJ303040002	58	65
HX00150000E	80	70	NM6060001SC	58	57	PJ303040002	80	66
HX00150000G	58	67	NM6060001SC	68	8	PJ303060001	72	34
HX003140000	72	25~27	NM6060003SC	106	5	PJ304040504	14	3
HX00314000A	72	25~27	NM6080001SC	36	42	PJ304040504	18	33
HX00314000B	72	25~27	NM6080001SC	84	13	PJ304040504	24	35
HX00326000K	84	11	NM6100001SC	80	75	PJ304040504	34	10
HX003390000	72	3	NM6160511SE	94	18	PJ304040504	56	11
HX003390000	84	21	NM6160511SE	96	8	PJ304040504	68	27
HX00354000B	82	12	NM6260810SC	78	20	PJ304040504	72	41
HX004070000	84	29	NS6090310SP	2	37	PJ304040505	72	18
HX004120000	36	44	NS6090310SP	32	50	PJ304060502	72	13
HX005110000	86	38	NS6110350SP	2	39	PJ304065101	72	24
J1071000000	96	13	NS6110360SP	104	10	PJ305040001	56	63
KM000000480	84	24	NS6110420SP	16	54	PJ305040001	58	63
KM000000510	68	3	NS6110420SP	30	6	PJ308040002	22	34
KM000000510	90	49	NS6110420SP	76	4	PJ308060003	72	40
KX000000320	84	33	NS6150310SP	10	6	PJ308080004	72	33
KX000000330	86	52	NS6150310SP	14	48	PJ308085202	72	32
M3801476000	84	9	NS6150310SP	16	48	PJ309520001	96	18
M4206461000	84	14	NS6150430SP	24	30	PS0200052KH	110	34



## NUMERICAL INDEX OF PARTS

PART NO	PAGE	REF NO.	PART NO	PAGE	REF NO.	PART NO	PAGE	REF NO.
PS0400142KH	6	31	SL4033091SC	86	46	SL6041692TN	66	48
PV130600100	72	15	SL4040881SC	72	4	SL6051092TN	98	9
PV150215000	72	11	SL4040881SC	84	54	SL6051292TN	42	11
PX050501000	72	19	SL4040881SC	86	54	SL6051292TN	60	50
PX500014000	74	47	SL4040891SC	68	18	SL6051292TN	62	50
RC3781518KP	78	12	SL4040891SC	84	51	SL6051492TN	42	49
RE0300000K0	56	17	SL4040891SC	86	51	SL6051492TN	44	49
RE0320000K0	56	8	SL4041081SC	36	23	SL6051492TN	60	33
RE0600000K0	14	35	SL4041081SC	38	45	SL6051492TN	64	16
RE0700000K0	64	36	SL4041091SC	38	18	SL6051692TN	64	53
RE0900000KP	20	39	SL4041091SC	58	68	SL6051692TN	66	53
RO029180100	6	27	SL4041091SC	60	47	SL6052092TN	28	8
RO036080200	30	5	SL4041091SC	62	47	SL6052092TN	50	87
RO044240100	6	10	SL4041091SC	72	48	SL6052592TN	6	24
RO055200100	28	38	SL4041091SC	74	48	SL6052592TN	82	17
RO098190100	30	2	SL4041091SC	80	72	SL6061042TN	78	44
RO098240100	14	28	SL4041091SC	84	42	SL6061292TN	42	9
RO133170100	20	14	SL4041091SC	86	42	SL6061292TN	66	57
RO148240200	6	45	SL4042091SC	58	64	SL6061492TN	36	38
RO154240100	6	41	SL4042091SC	72	7	SL6061492TN	42	34
RO195240100	22	13	SL4043091SC	56	14	SL6061492TN	68	2
SB108000500	50	82	SL4043091SC	72	23	SL6061492TN	72	43
SB108000500	64	18	SL4043591SC	84	25	SL6061492TN	78	22
SB110001300	64	17	SL4051091SC	2	19	SL6062092TN	54	3
SB110002400	28	27	SL4051091SC	72	9	SL6062092TN	56	4
SB112000100	48	20	SL4051091SC	76	14	SL6062092TN	64	39
SB130000200	50	72	SL6032092TN	20	35	SL6062092TN	98	6
SB130000300	50	73	SL6040892TN	20	30	SL6062592TN	56	2
SB616000100	66	55	SL6040892TN	54	20	SL6063042TN	68	6
SD0500204TP	24	1	SL6040892TN	64	35	SL6063092TN	38	22
SD0500231TP	24	9	SL6040892TN	102	8	SL6063092TN	56	5
SD0600181TP	24	18	SL6040892TN	106	13	SL6063092TN	60	9
SD0600403TP	24	32	SL6041092TN	2	22	SL6063592TN	50	67
SD0640391TP	24	19	SL6041092TN	38	9	SL6064092TN	44	53
SD0640752TP	24	24	SL6041092TN	60	45	SL6082092TN	78	16
SD0800327TP	28	24	SL6041292TN	42	27	SL6083092TN	84	10
SD0800402TP	14	33	SL6041292TN	52	93	SL6084092TN	60	10
SL4020591SC	28	10	SL6041292TN	54	15	SM0040601SA	60	42
SL4020591SC	64	12	SL6041292TN	58	61	SM0040801SC	2	21
SL4030681SC	82	11	SL6041292TN	60	31	SM0040801SC	48	27
SL4030881SC	82	13	SL6041292TN	64	23	SM0041001SC	42	51
SL4030891SC	48	19	SL6041292TN	106	15	SM0041001SC	44	51
SL4030891SC	72	16	SL6041492TN	42	47	SM0050801SC	36	17
SL4031091SC	72	12	SL6041492TN	44	47	SM0050801SC	38	4
SL4031291SC	28	32	SL6041692TN	64	48	SM0081001SD	36	9

# NUMERICAL INDEX OF PARTS

PART NO	PAGE	REF NO.	PART NO	PAGE	REF NO.	PART NO	PAGE	REF NO.
SM1030801SC	68	14	SM6041602TP	46	13	SM6066052TP	78	8
SM1040601SC	110	11	SM6041602TP	64	31	SM6082002TP	78	25
SM1040801SC	60	41	SM6042002TP	46	8	SM6082502TN	56	43
SM1040801SP	38	30	SM6051000SP	56	20	SM6082502TP	78	50
SM1041201SC	68	20	SM6051202TN	68	24	SM6082502TP	80	50
SM1041201SC	110	29	SM6051202TP	40	63	SM6083002TP	64	41
SM1041601SC	68	42	SM6051402TP	28	26	SM6086002TN	36	40
SM1041601SC	108	7	SM6051402TP	50	86	SM6088502TP	78	30
SM1041601SC	110	7	SM6051602TP	48	56	SM6104502TP	36	3
SM1051201SC	38	25	SM6051602TP	50	56	SM6105502TN	60	2
SM1051201SC	42	21	SM6051802TP	56	30	SM6123002TN	40	58
SM1051452TN	56	25	SM6052010SC	28	36	SM8030412TP	20	27
SM1051601SC	38	27	SM6052502TN	68	29	SM8040310SS	6	40
SM1051601SC	104	3	SM6052502TP	18	4	SM8050412TP	6	46
SM1061401SE	80	63	SM6052502TP	50	63	SM8050412TP	50	71
SM1062052TP	38	40	SM6053002TN	58	52	SM8050502TP	28	37
SM1062501SE	106	3	SM6053002TN	64	28	SM8050592TP	28	30
SM4020601SC	102	4	SM6053002TP	48	58	SM8050602TP	64	10
SM4031001SC	54	13	SM6053002TP	50	58	SM8050812TP	50	80
SM4041201SC	94	24	SM6053502TN	58	47	SM8050812TP	56	23
SM4042001SC	94	23	SM6061002TP	80	53	SM8060602TP	78	40
SM4050801SC	72	31	SM6061202TN	64	40	SM8060802TP	48	52
SM4051001SN	18	25	SM6061402TN	64	25	SM8060802TP	50	52
SM4051001SN	80	60	SM6061402TP	40	57	SM8060812TP	6	43
SM4051405SE	94	12	SM6061402TP	62	53	SM8060812TP	28	17
SM4061255SP	2	27	SM6061602TN	56	34	SM8060812TP	48	51
SM6030802TN	66	59	SM6061602TN	100	8	SM8060812TP	50	51
SM6031010SC	28	13	SM6061602TP	36	12	SM8060812TP	66	52
SM6031202TP	22	5	SM6061602TP	48	6	SM8080812TP	78	34
SM6040602TP	50	89	SM6061610SC	94	6	SM9051203SE	98	7
SM6040650TP	28	28	SM6062002TN	104	5	SM9064053SE	48	35
SM6040650TP	48	21	SM6062502TN	36	14	SM9102003SB	46	18
SM6040802TN	66	62	SM6062502TN	38	34	SQ1110401MZ	34	11
SM6040802TN	106	27	SM6062502TN	56	37	SQ1110402MZ	6	28
SM6040802TP	24	43	SM6062502TP	48	33	SQ1110402MZ	30	13
SM6040802TP	28	34	SM6063002TP	28	5	SQ1110451MZ	32	53
SM6040860TP	54	23	SM6063002TP	48	5	SQ1120451MZ	30	30
SM6041002TN	110	38	SM6063502TN	36	35	SS1060210TP	24	20
SM6041050TP	108	3	SM6063502TN	80	55	SS1121010SP	24	39
SM6041050TP	110	23	SM6063502TN	100	12	SS2060210SP	24	10
SM6041150TP	50	78	SM6064002TP	64	44	SS2110920TP	104	8
SM6041202TN	36	6	SM6064502TP	40	53	SS2111010TP	14	22
SM6041202TP	40	61	SM6064502TP	60	5	SS2111010TP	24	42
SM6041202TP	50	69	SM6064502TP	100	14	SS4080620TP	24	11
SM6041402TP	60	28	SM6065002TP	36	31	SS4110515SP	32	56

NUMERICAL INDEX OF PARTS

PART NO	PAGE	REF NO.	PART NO	PAGE	REF NO.	PART NO	PAGE	REF NO.
SS4110715SP	14	4	SS8150410TP	10	23	WP0460556SD	106	25
SS4111215SP	2	45	SS8150510TP	10	29	WP0460556SD	108	4
SS4120615SP	2	17	SS8150760TP	20	19	WP0460556SD	110	24
SS4120615SP	30	65	SS8150822TP	6	20	WP0480856SP	4	49
SS4120615SP	32	65	SS8150822TP	10	36	WP0501046SC	68	35
SS4120915SP	14	43	SS8151230SP	12	55	WP0501046SC	108	9
SS4121215SP	2	52	SS8152030SP	14	47	WP0501046SC	110	26
SS4121215SP	4	52	SS8152030SP	16	47	WP0510516SD	18	10
SS4121215SP	8	4	SS8660512TP	14	30	WP0531000SC	32	61
SS4121215SP	22	22	SS8660530TP	6	18	WP0531000SD	48	64
SS4121415SP	18	20	SS8660610TP	6	6	WP0531000SD	50	64
SS4121615SP	76	11	SS8660610TP	22	24	WP0531000SD	56	21
SS4151415SP	20	44	SS8660612TP	10	15	WP0531000SE	98	8
SS6090670TP	10	14	SS8660612TP	66	51	WP0531001SC	4	51
SS6090670TP	24	33	SS8660810TP	6	14	WP0531001SC	38	64
SS6090910SP	32	49	SS8660810TP	18	19	WP0531001SC	40	64
SS6110610TP	24	22	SS8681650TP	6	7	WP0531001SC	48	59
SS6110610TP	34	9	SS9091010SP	18	17	WP0531001SC	50	59
SS6111052TP	20	22	SS9110513TP	14	31	WP0531001SC	58	48
SS6120620TP	32	63	SS9111010SP	18	28	WP0531001SC	68	30
SS6120940SP	30	16	SS9151630CP	14	18	WP0611626SP	48	30
SS6121050SP	24	23	SS9151910SN	22	25	WP0612056SD	96	27
SS6123010SP	18	32	TA0180401M0	30	7	WP0621016SD	22	27
SS6151412TP	2	32	TA0550604R0	10	17	WP0621016SH	24	29
SS6151612TP	6	26	TA0850604R0	2	46	WP0621026SP	16	53
SS7080510TP	10	43	TA1050504R0	2	33	WP0641600SC	36	36
SS7090530SP	10	39	TA1250406R0	4	48	WP0641600SC	56	38
SS7090710SP	24	36	TA1250406R0	18	9	WP0641600SC	80	56
SS7090850SP	20	18	TA1250406R0	22	14	WP0641600SC	100	15
SS7090920SP	14	19	TA1450404R0	4	47	WP0641600SC	106	4
SS7110350SP	30	19	TA1470704R0	2	40	WP0641601SC	28	6
SS7110510SP	34	19	TA2101002R0	2	34	WP0641601SC	36	32
SS7110710SP	10	21	TA2351004R0	2	35	WP0641601SC	38	59
SS7110710SP	24	2	WP0220301SC	102	5	WP0641601SC	40	59
SS7110840SP	76	18	WP0320501SC	20	36	WP0641601SC	48	36
SS7120710SP	34	17	WP0320501SC	68	15	WP0641601SC	58	56
SS7150740SP	30	21	WP0430801SC	48	90	WP0641601SC	60	54
SS7151210SP	10	30	WP0430801SC	50	90	WP0641601SC	62	54
SS7681650TP	6	8	WP0430801SC	68	21	WP0641601SC	78	10
SS8090530TP	76	6	WP0430801SC	108	8	WP0641601SC	100	13
SS8110422TP	10	33	WP0430801SC	110	42	WP0641601SC	104	6
SS8110422TP	14	16	WP0450801SD	46	14	WP0651646SC	68	7
SS8110520TP	22	19	WP0450801SP	104	9	WP0841600SC	56	44
SS8110750SP	22	23	WP0450826SC	18	30	WP0841601SC	64	21
SS8150410SP	14	40	WP0450846SP	60	29	WP0841601SC	86	39

## NUMERICAL INDEX OF PARTS

PART NO	PAGE	REF NO.
WP0852086SC	36	41
WP0852086SC	78	32
WP1052000SC	46	19
WP1052001SC	36	5
WP1052001SC	60	3
WP1221016SP	80	80
WP1612616SE	94	19
WS0410002KN	50	76
WS0410002KP	46	15
WS0410002KP	50	91
WS0451040KP	18	29
WS0510002KN	50	60
WS0510002KN	58	53
WS0510002KN	94	16
WS0610002KN	38	41
WS0610002KN	78	9
WS0820002KN	58	45
WS0822010KP	78	26
WS0861410KR	78	31
WS1020002KN	36	4
WS1020002KN	46	20
WS1020002KN	60	4
WS1643202KR	94	20