

MODEL : LZ-2280A/LZ-2280A-7 SERIES

List No : 1632-02

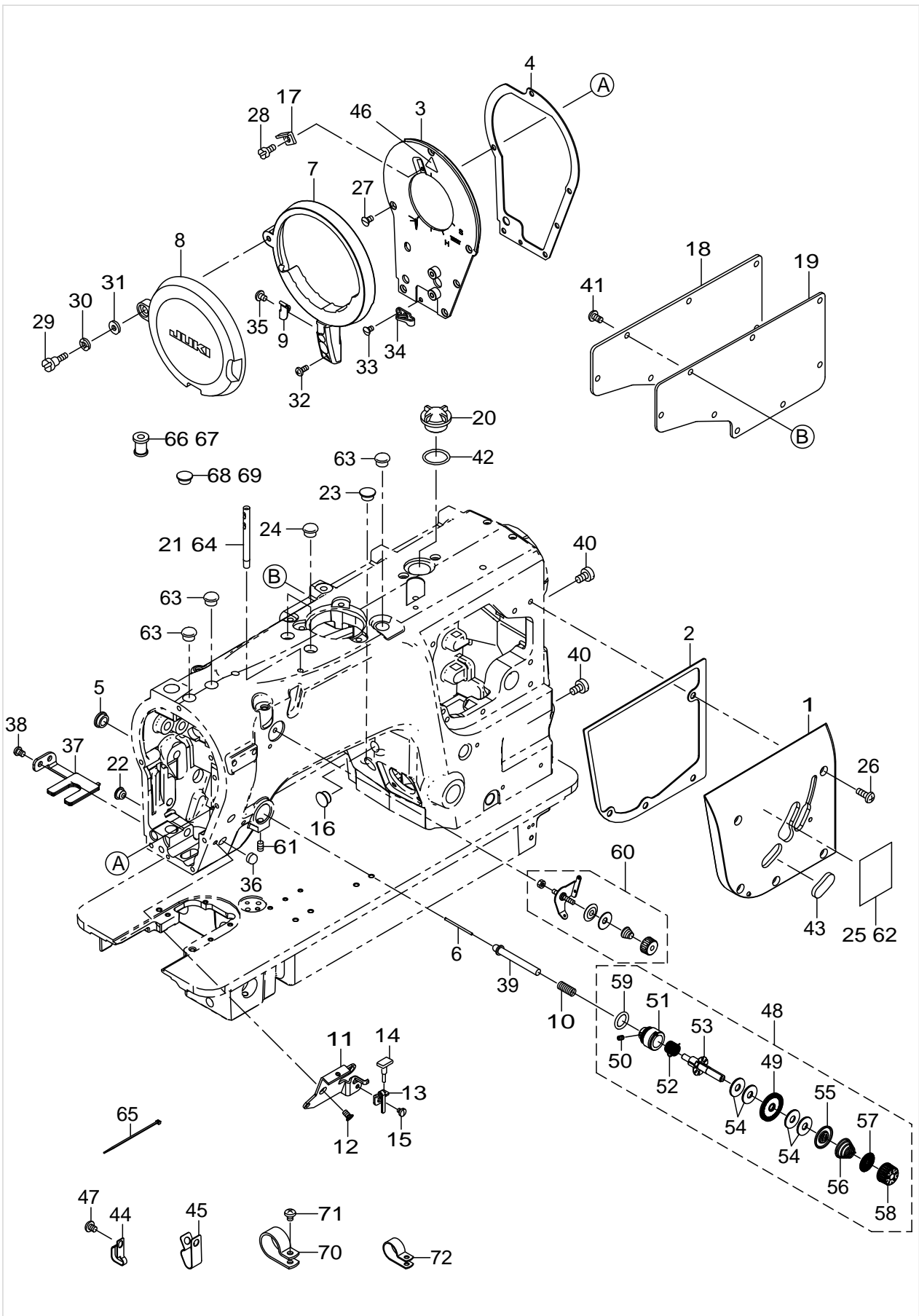
PARTS LIST

Published:05/12/2017

CONTENTS

FRAME & MISCELLANEOUS COVER COMPONENTS (1)	1
FRAME & MISCELLANEOUS COVER COMPONENTS (2)	5
MAIN SHAFT & NEEDLE BAR COMPONENTS	7
NEEDLE VIBRATOR & ADJUSTMENT COMPONENTS (1)	13
NEEDLE VIBRATOR & ADJUSTMENT COMPONENTS (2)	15
PRESSER BAR & FEED REGULATOR COMPONENTS	17
FEED MECHANISM COMPONENTS	21
FEED MECHANISM & CONDENSE COMPONENTS	25
HOOK DRIVING SHAFT & HOOK COMPONENTS	27
LUBRICATION COMPONENTS	31
THREAD TRIMMER MECHANISM COMPONENTS	33
UPPER THREAD FEEDER COMPONENTS	37
AUTOMATIC REVERSE FEED MECHANISM COMPONENTS	39
WIPER MECHANISM COMPONENTS	41
COVER COMPONENTS	43
OIL RESERVOIR & KNEE LIFTER COMPONENTS	47
THREAD STAND COMPONENTS	49
EXCLUSIVE PARTS FOR LZ-2284A(-7), LZ-2287A (1)	51
SPECIAL ORDER PARTS (1)	53
SPECIAL ORDER PARTS (2)	55
LIST FOR INFORMATION OF CHANGE (1)	61
LIST FOR INFORMATION OF CHANGE (2)	62
HOW TO MAKE USE OF THIS PARTS LIST	63

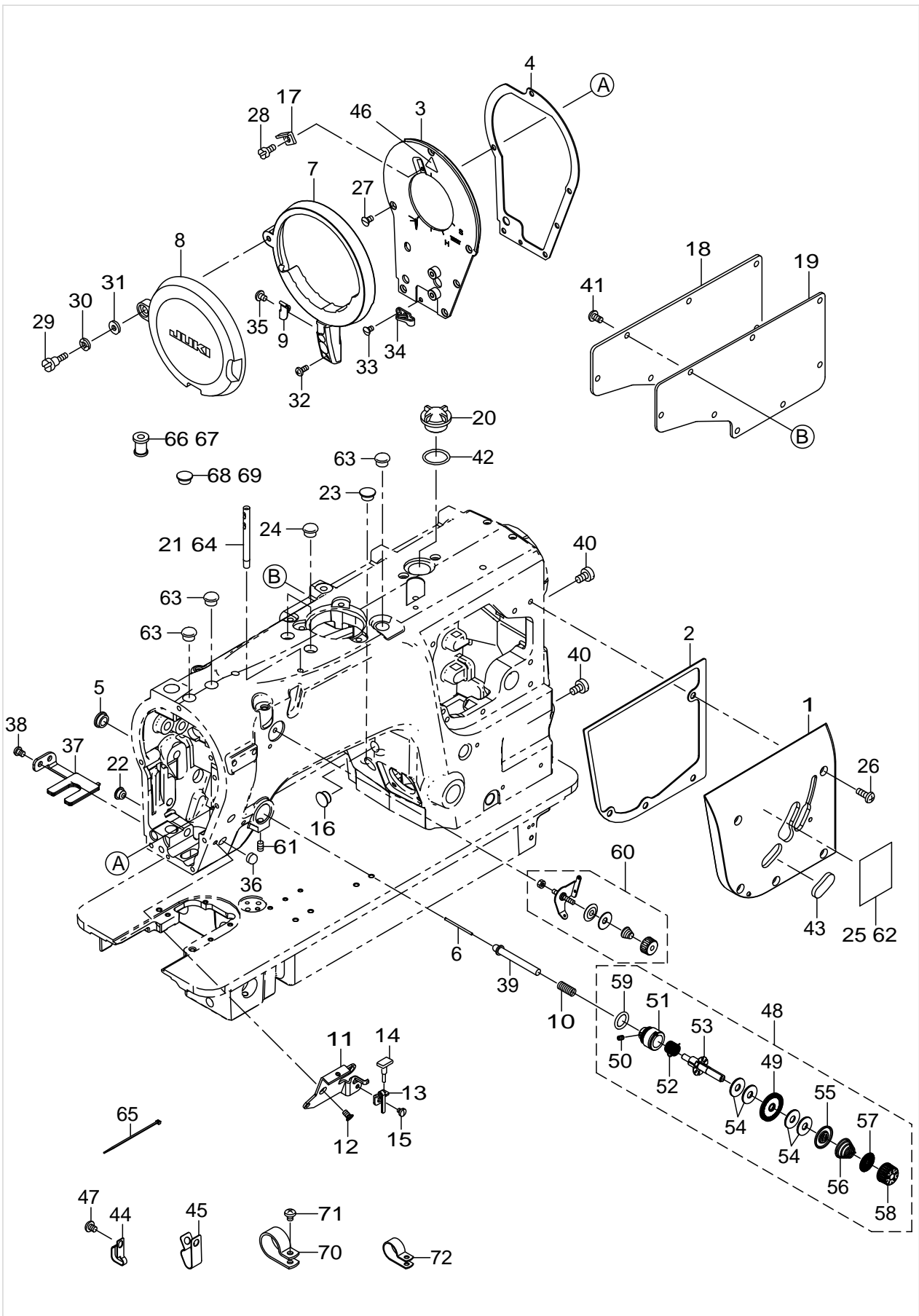
FRAME & MISCELLANEOUS COVER COMPONENTS (1)



FRAME & MISCELLANEOUS COVER COMPONENTS (1)

No.	Supply Code	Parts No.	Replacement	Parts name	Remarks	Choice	Step	Level	Cons	Qty	Rep. QTY
1		40125444		SIDE_COVER_ASSY						1	
2		40125442		SIDE_COVER_GASKET						1	
3		40125431		FACE_PLATE_ASM.						1	
4		40125433		GASKET						1	
5		TA1330405R0		BUSHING						1	
6		23537814		THREAD RELEASE PIN						1	
7		26305102		BALANCE COVER BASE						1	
8		22502108		BALANCE COVER						1	
9		26305300		SPRING						1	
10		22920409		THREAD RELEASE PIN SPRING						1	
11		40125430		THREAD_GUIDE_T						1	
12		SS1110840SP		SCREW 11/64-40 L=8						2	
13		40125438		THREAD GUIDE						1	
14		40125710		RUBBER STOPPER						1	
15		SS7090410SP		SCREW 9/64-40 L=3.5						1	
16		TA1100604R0		PLUG						1	
17		10001709		TAKE-UP THREAD CUTTER						1	
18		22900401		WINDOW PLATE						1	
19		40012129		SIDE PLATE PACKING						1	
20		22924708		OIL SIGHT WINDOW						1	
21		22958300		NEEDLE THREAD GUIDE PIN	EXCEPT L-Z-228*A7*					1	
22		TA0800504R0		PLUG D=8 L=4.5						1	
23		TA1050504R0		RUBBER PLUG						2	
24		TA1250705R0		RUBBER PLUG						2	
25	D	23516206		OPERATION SEAL						1	
26		SS4121415SP		SCREW 3/16-28 L=14						5	
27		SS1110840SP		SCREW 11/64-40 L=8						7	
28		SS7080410SP		SCREW 1/8-44 L=3.8						1	
29		SD0640751SP		HINGE SCREW D=6.35 H=7.5						1	
30		WZ0641510KP		WAVED WASHER 6.4X11X0.3						1	
31		WP0651056SD		WASHER 6.5X11X1						1	
32		SS4110915SP		SCREW 11/64-40 L=9						2	
33	R	SS2090710SP	SS2090710TP	SCREW 9/64-40 L=7						1	1.00
34		26305409		SPRING GUARD						1	
35		SS4120615SP		SCREW 3/16-28 L=6						1	
36		GPR01015000		DRIVING STOPPER RUBBER						2	
37		40125674		ASSY_LED_DEVICE	FOR LZ-22-84A*0B,LZ-2284AT00,LZ-2284A7-*,LZ-2280-AA0*, LZ-2280A7*					1	
38		SS4120615SP		SCREW 3/16-28 L=6	FOR LZ-22-84A*0B,LZ-2284AT00,LZ-2284A7-*,LZ-2280-AA0*, LZ-2280A7*					1	
39		22528616		THREAD RELEASE						1	

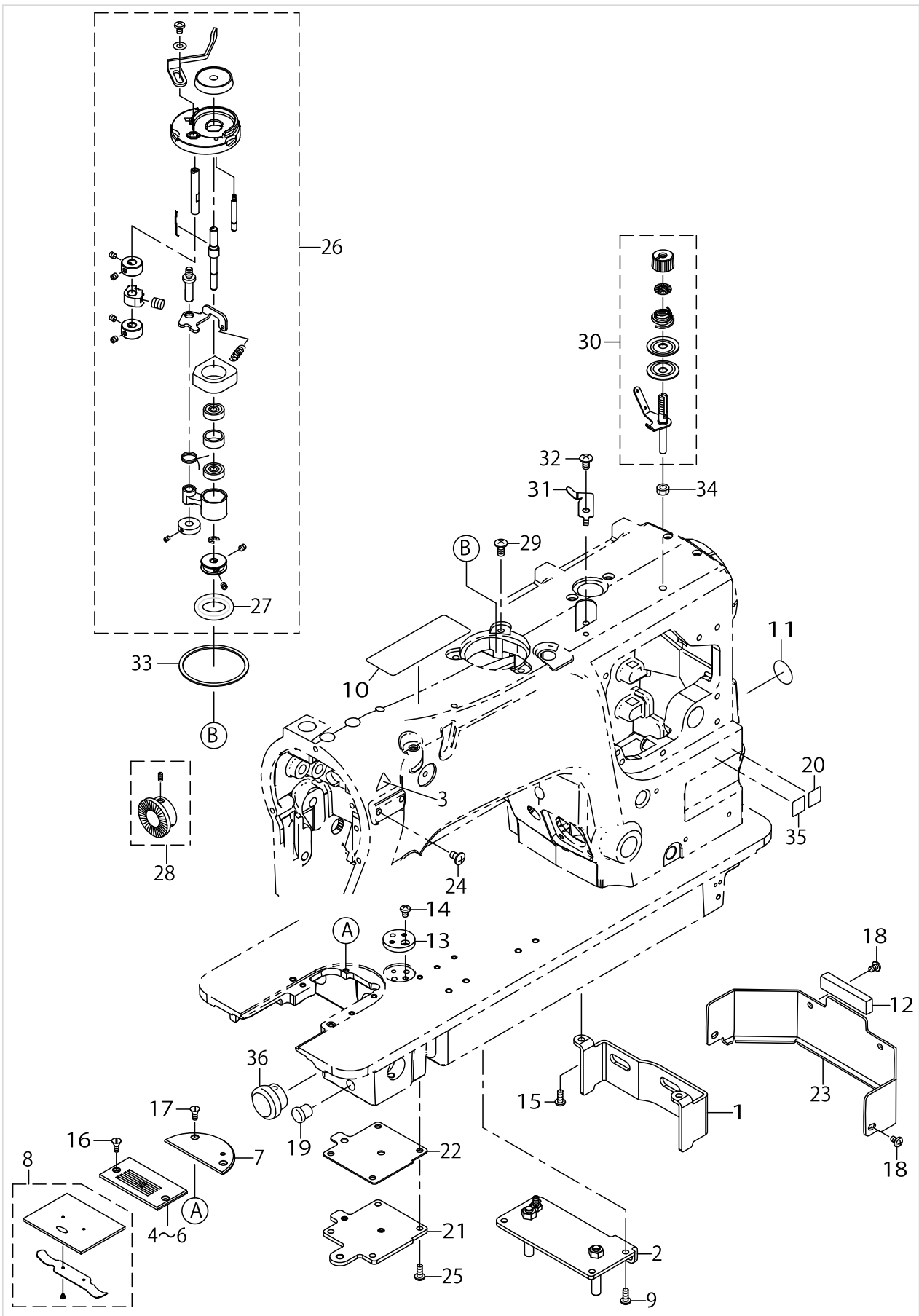
FRAME & MISCELLANEOUS COVER COMPONENTS (1)



FRAME & MISCELLANEOUS COVER COMPONENTS (1)

No.	Supply Code	Parts No.	Replacement	Parts name	Remarks	Choice	Step	Level	Cons	Qty	Rep. QTY
40		SM6061010TP		SCREW M6 L=10	FOR LZ-22-84A*0B,LZ-2284AT00,LZ-2284A7-* ,LZ-2280-AA0* , LZ-2280A7*					2	
41		SS4120915SP		SCREW 3/16-28 L=9						8	
42		RO195240100		RUBBER RING						1	
43		40125637		RUBBER CAP	FOR LZ-2280A*					1	
44		40022407		CORD HOLDER	FOR LZ-22-84A*0B,LZ-2284AT00,LZ-2284A7-* ,LZ-2280-AA0* , LZ-2280A7*					1	
45		D2112555B00		CORD HOLDER LARGE	FOR LZ-22-84A*0B,LZ-2284AT00,LZ-2284A7-* ,LZ-2280-AA0* , LZ-2280A7*					1	
46		CM300200001		ATTENTION SEAL						1	
47		SS4120615SP		SCREW 3/16-28 L=6	FOR LZ-22-84A*0B,LZ-2284AT00,LZ-2284A7-* ,LZ-2280-AA0* , LZ-2280A7*					1	
48		40125651		THREAD_TENSION_ASM.						1	
49		23547557		THREAD TENSION T COMPL.				*	☆	1	
50		SS8090670SP		SCREW 9/64-40 L=5.5				*		1	
51		22528152		THREAD TENSION ROD ASM.				*		1	
52		23538309		THREAD TAKE-UP SPRING				*		1	
53		40141101		THREAD_TENSION_POST_COMPL.				*		1	
54		22528509		FELT				*	☆	4	
55		10006005		TENSION DISC HOLDER				*		1	
56		B3121352000		TENSION SPRING				*		1	
57		22921407		ROTATION STOPPER				*		1	
58		23626005		THREAD TENSION NUT				*		1	
59		RO118240100		O-RING				*		1	
60		40125685		PRE-TENSION CONTROLLER ASM.						1	
61		SM8050812TP		SCREW M5X8						1	
62		22542708		OPERATION SEAL	EXCEPT LZ-2280A*					1	
63		TA1250705R0		RUBBER PLUG						3	
64		22502504		THREAD GUIDE BAR	FOR LZ-228*A7*					1	
65		EA9500B0100		CABLE BAND	FOR LZ-22-8*A0B*,LZ-228*A7*					2	
66		D2467555B00		RUBBER PLUG	FOR LZ-228*A0B*					1	
67		D2467555B00		RUBBER PLUG	FOR LZ-228*A7*					2	
68		TA1050504R0		RUBBER PLUG	FOR LZ-228*A0B*					1	
69		TA1050504R0		RUBBER PLUG	EXCEPT LZ-228*A0-B*,LZ-228*A7*					2	
70		HX00150000L		CABLE CLIP						1	
71		SS4120615SP		SCREW 3/16-28 L=6						1	
72		HX00150000H		CABLE CLIP						1	

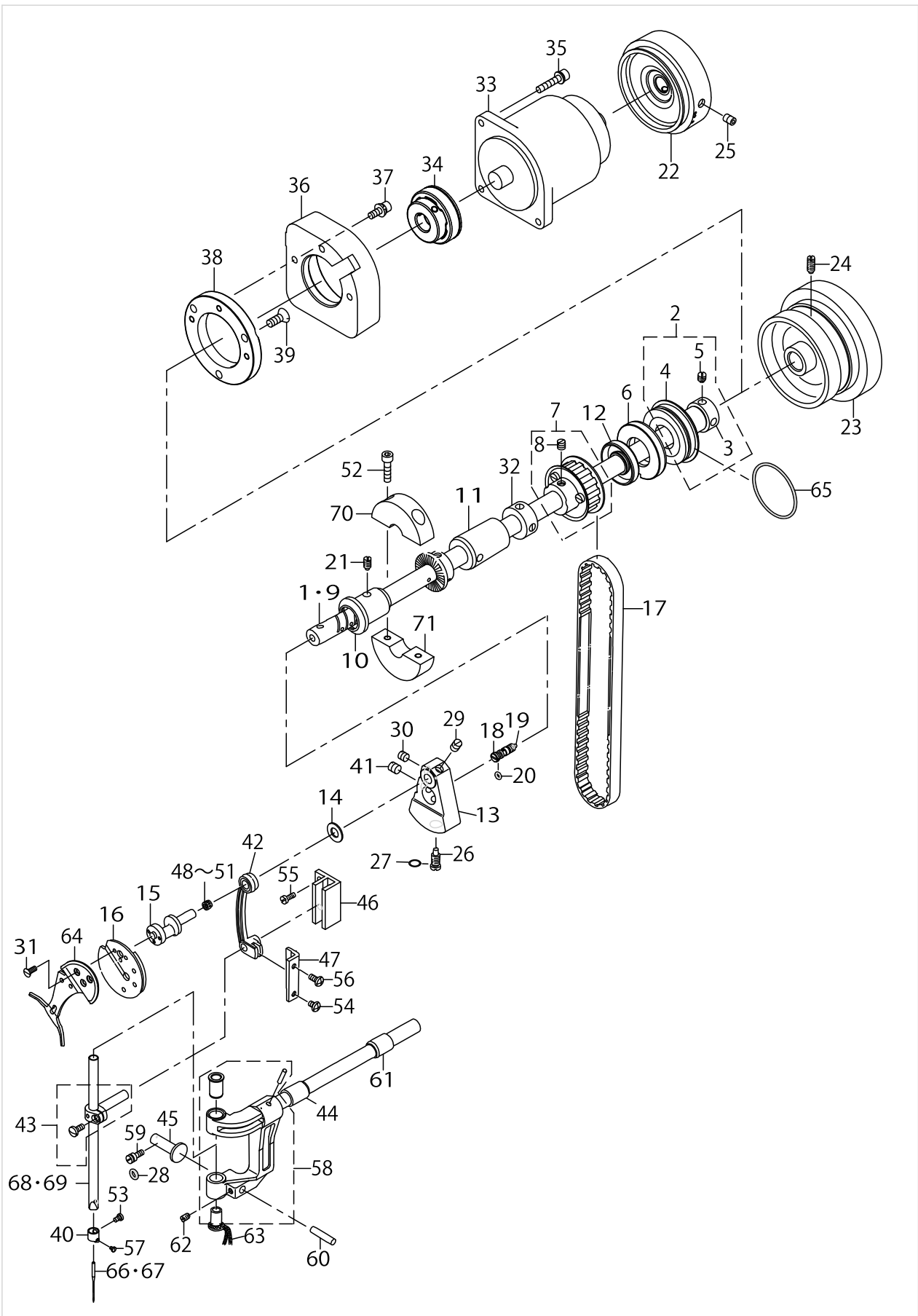
FRAME & MISCELLANEOUS COVER COMPONENTS (2)



FRAME & MISCELLANEOUS COVER COMPONENTS (2)

No.	Supply Code	Parts No.	Replacement	Parts name	Remarks	Choice	Step	Level	Cons	Qty	Rep. QTY
1		40125434		BED_SUPPORT_PLATE						1	
2		40125435		GEAR_BOX_COVER_B.ASM.						1	
3		CM300200002		CAUTION LABEL(25)						1	
4		22582407		NEEDLE PLATE	EXCEPT NOTE #02,#04					1	
5		22548010		NEEDLE PLATE	FOR LZ-2280AA					1	
6		22548705		NEEDLE PLATE	FOR LZ-2280AA-BB					1	
7		26300103		BED PLATE						1	
8		26314757		SLIDE PLATE ASM.						1	
9		SS4110915SP		SCREW 11/64-40 L=9						4	
10		40102261		SAFETY_LABEL_S						1	
11		22901805		GROUND MARK						1	
12		10037406		OIL SHIELD RUBBER						1	
13		40035589		RULER PLATE						1	
14		SM4040655SP		SCREW M4 L=6						1	
15		SS4111015SP		SCREW 11/64-40 L=10						2	
16		SS2090810SP		SCREW 9/64-40 L=7.5					☆	2	
17		SS2090810SP		SCREW 9/64-40 L=7.5					☆	2	
18		SS4110615SP		SCREW 11/64-40 L=6						2	
19		TA0950806R0		RUBBER PLUG						1	
20		CM600100101		WEEE MARK LABEL S	VARIOUS NOS.FOR DESTINATIONS					1	
21		40125505		GEAR_BOX_COVER_A.ASM.						1	
22		40125504		GEAR_BOX_COVER_A.PACKING						1	
23		10037307		OIL SHIELD PLATE						1	
24		SM0050801SC		SCREW						2	
25		SS4110915SP		SCREW 11/64-40 L=9						4	
26		40034920		BOBBIN WINDER UNIT						1	
27		A321600100A		RUBBER RING				*	☆	1	
28		22538854		BTW DRIVING WHEEL ASM.						1	
29		SM0051001SC		SCREW						3	
30		40091212		BOBBIN_THREAD_TENSION.ASM.						1	
31		40037008		THREAD_CUTTER						1	
32		SM0051001SC		SCREW						2	
33		22538706		PACKING						1	
34		NM6050001SD		NUT M5X0.8						1	
35		40150131		EAC_MARK_LABEL_S	FOR PLACE OF DESTINATION BB					1	
36		10032001		NYLON CAP						1	

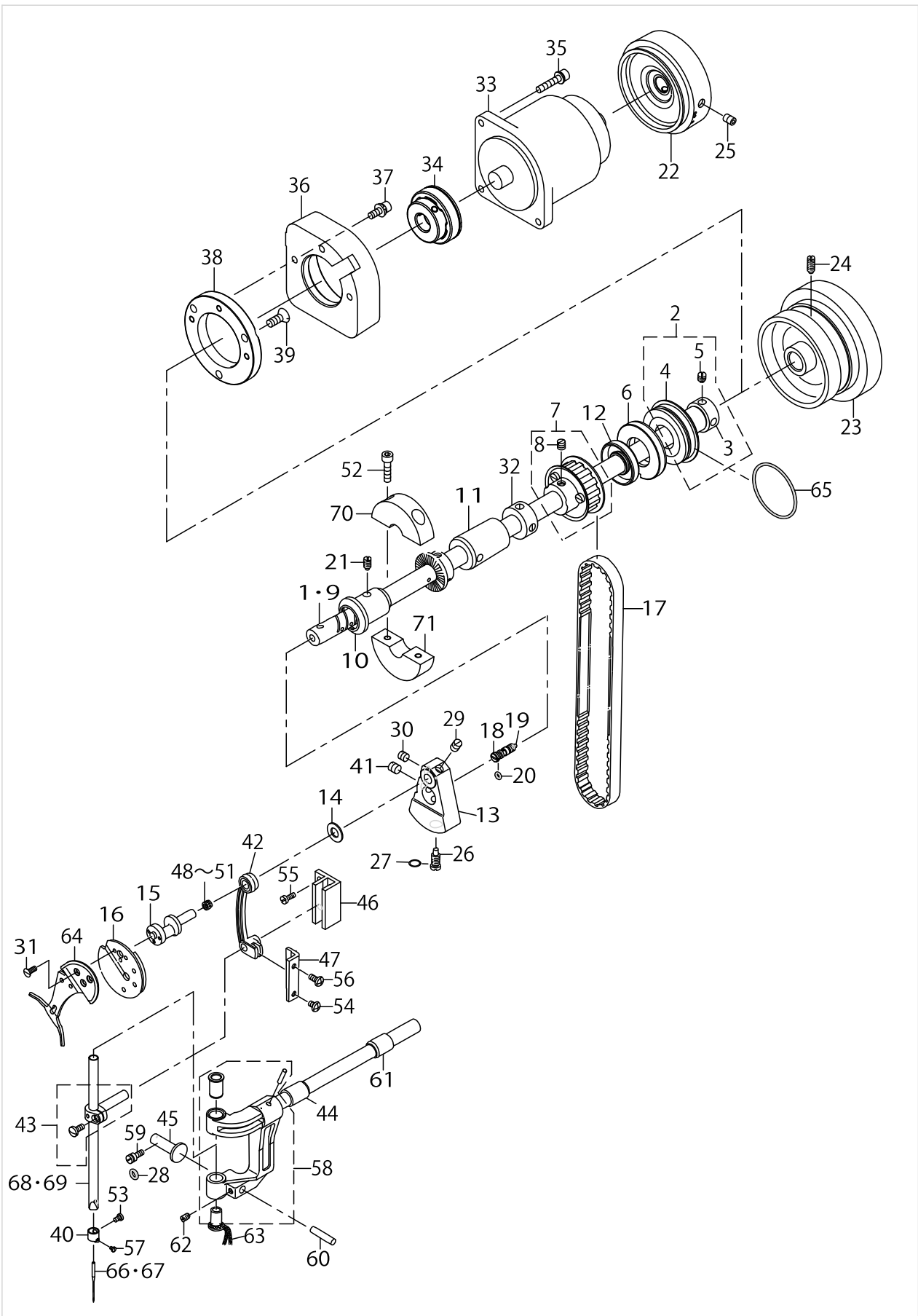
MAIN SHAFT & NEEDLE BAR COMPONENTS



MAIN SHAFT & NEEDLE BAR COMPONENTS

No.	Supply Code	Parts No.	Replacement	Parts name	Remarks	Choice	Step	Level	Cons	Qty	Rep. QTY
1		40125450		MAIN_SHAFT						1	
2		40125451		THRUST_COLLAR_ASM.						1	
3		22505200		THRUST COLLAR				*		1	
4		SB120002700		BEARING				*		1	
5		SS8660610TP		SCREW 1/4-40 L=6				*		2	
6		40125453		OIL_SEAL_COLLAR						1	
7		40044872		SPROCKET UPPER ASM.						1	
8		SS8660610TP		SCREW 1/4-40 L=6				*		2	
9		40125460		MAIN_SHAFT_DD	FOR LZ-22-84A*0B,LZ-2284AT00, LZ-2284A7*					1	
10		40040372		MAIN SHAFT BUSHING						1	
11		40125455		MAIN SHAFT BUSHING M						1	
12	R	11002508	40105231	OIL SEAL						1	1.00
13		26300202		COUNTERWEIGHT						1	
14		13312202		THRUST_WASHER						1	
15		26300301		NEEDLE BAR CRANK						1	
16		10008753		TAKE-UP COUNTERWEIGHT ASM.						1	
17		22505705		TIMING BELT						1	
18		26304402		PIN						1	
19		B1810552000		OIL WICK						1	
20		RO029180100		RUBBER RING						1	
21	R	SS8151150SP	SS8151150TP	SCREW 15/64-28 L=10.5						1	1.00
22		40125456		HAND_PULLEY	FOR LZ-22-84A*0B,LZ-2284AT00, LZ-2284A7*					1	
23	R	22927206	11071362	HAND WHEEL						1	1.00
24		SS8151550SP		SCREW15/64-28L=15						2	
25		SM80608A2TP		SCREW M6 L=8	FOR LZ-22-84A*0B,LZ-2284AT00, LZ-2284A7*					2	
26		SS7681650TP		SCREW 9/32-28 L=16						1	
27		RO044240100		RUBBER RING						1	
28		RO048190100		RUBBER RING						1	
29		SS8660610TP		SCREW 1/4-40 L=6						2	
30		SS8660610TP		SCREW 1/4-40 L=6						2	
31		SS1090930SP		SCREW 9/64-40 L=8.6						3	
32		22904155		MAIN SHAFT THRU-ST COLLAR ASM.						1	
33		40125465		MAIN_MOTOR	FOR LZ-22-84A*0B,LZ-2284AT00, LZ-2284A7*					1	
34		40111025		COUPLING_ASM.	FOR LZ-22-84A*0B,LZ-2284AT00, LZ-2284A7*					1	
35		SL6052592TN		BOLT	FOR LZ-22-84A*0B,LZ-2284AT00, LZ-2284A7*					3	

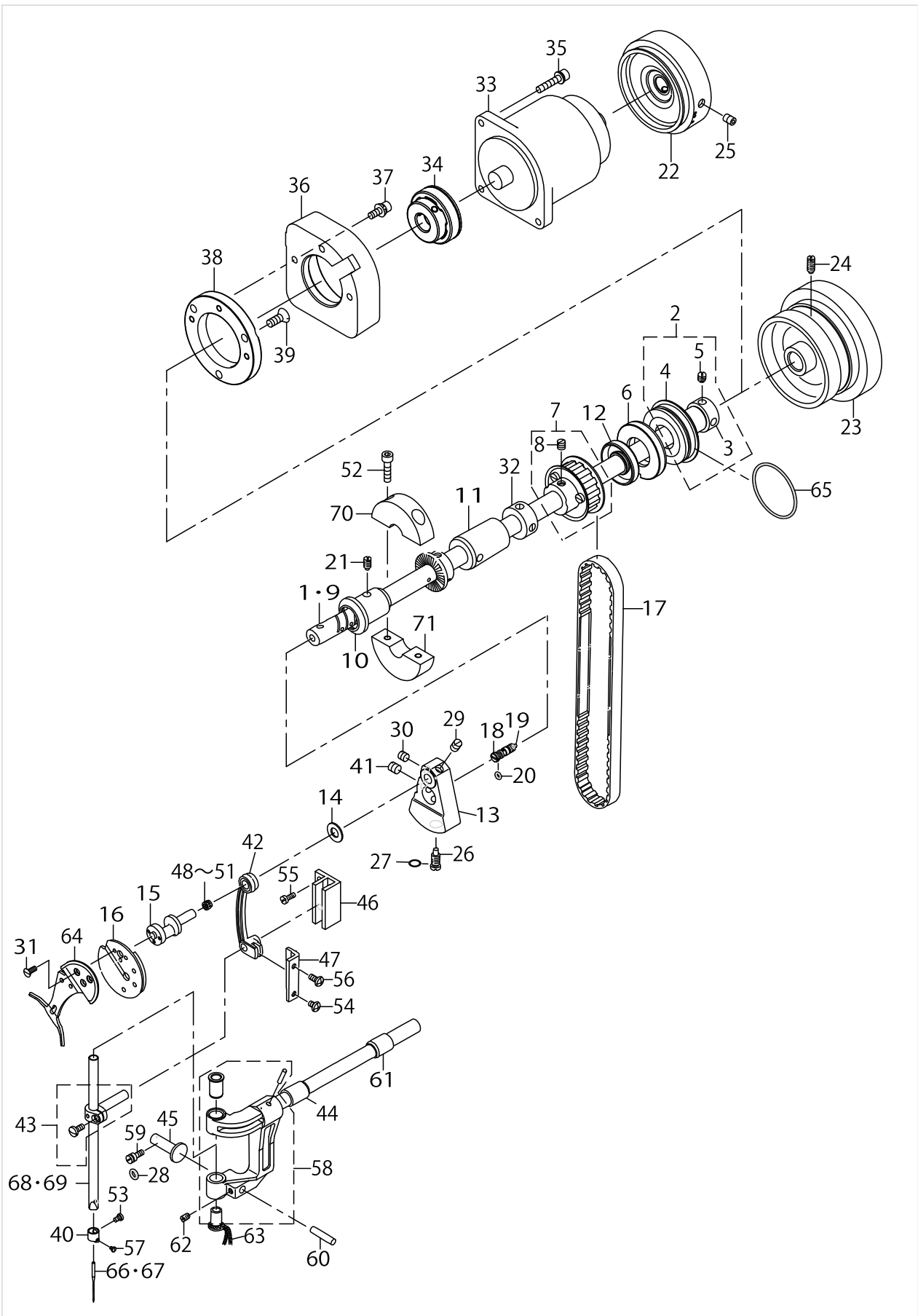
MAIN SHAFT & NEEDLE BAR COMPONENTS



MAIN SHAFT & NEEDLE BAR COMPONENTS

No.	Supply Code	Parts No.	Replacement	Parts name	Remarks	Choice	Step	Level	Cons	Qty	Rep. QTY
36		40110979		MAIN_MOTOR_BASE_76	FOR LZ-22-84A*0B,LZ-2284AT00, LZ-2284A7*					1	
37		SL6051492TN		BOLT	FOR LZ-22-84A*0B,LZ-2284AT00, LZ-2284A7*					3	
38		40125463		MOTOR_BASE_SPACER	FOR LZ-22-84A*0B,LZ-2284AT00, LZ-2284A7*					1	
39		SM1061601SC		SCREW M6 L=16	FOR LZ-22-84A*0B,LZ-2284AT00, LZ-2284A7*					3	
40		22507701		NEEDLE ROD THREAD RACK R					☆	1	
41		SS8680730SP		SCREW 9/32-28 L=7						1	
42		40082351		NEEDLE BAR CRANK ROD ASM.						1	
43		40070532		NEEDLE_BAR_CONNECTION_ASM.						1	
44		22913008		FEED ROCKER SHAFT BUSHING						1	
45		26305904		NEEDLE BAR YOKE PRESSER						1	
46		22508006		NEEDLE BAR CONNECTION GUIDE						1	
47		26300400		CRANK ROD GUIDE						1	
48		B1905541A00		NEEDLE BEARING A	SELECTIVE PARTS					1	
49		B1905541B00		NEEDLE BEARING	SELECTIVE PARTS					1	
50		B1905541C00		NEEDLE BEARING	SELECTIVE PARTS					1	
51		B1905541D00		NEEDLE BEARING	SELECTIVE PARTS					1	
52		SM6052002TP		SCREW M5 L=20	FOR LZ-22-84A*0B,LZ-2284AT00, LZ-2284A7*					2	
53		SS7080520SP		SCREW 1/8-44 L=4.9					☆	1	
54		SS4110615SP		SCREW 11/64-40 L=6						1	
55		SS4110915SP		SCREW 11/64-40 L=9						2	
56		SS4110915SP		SCREW 11/64-40 L=9						1	
57		SS7060310SP		SCREW 3/32-56 L=3	FOR PLACE OF DESTINATION AA,GG				☆	1	
58		26300962		NEEDLE BAR YOKE ASM.						1	
59		26306001		SCREW						1	
60		10013407		GUIDE PIN						1	
61		26301408		SHAFT BUSHING REAR						1	
62		SS8120740SP		SCREW 3/16-28 L=7						1	
63		CQ202000000		OIL WICK						.1	
64		22506208		BALANCE V						1	
65		RO437200200		RUBBER RING						1	
66		MDP134B1000		NEEDLE DPX134 #10	FOR PLACE OF DESTINATION AA,GG				☆	1	
67		MC192300750		NEEDLE 438 #75	FOR PLACE OF DESTINATION BB					1	
68		22507818		NEEDLE ROD	FOR PLACE OF DESTINATION AA,GG					1	
69		40015494		NEEDLE BAR	FOR PLACE OF DESTINATION BB					1	

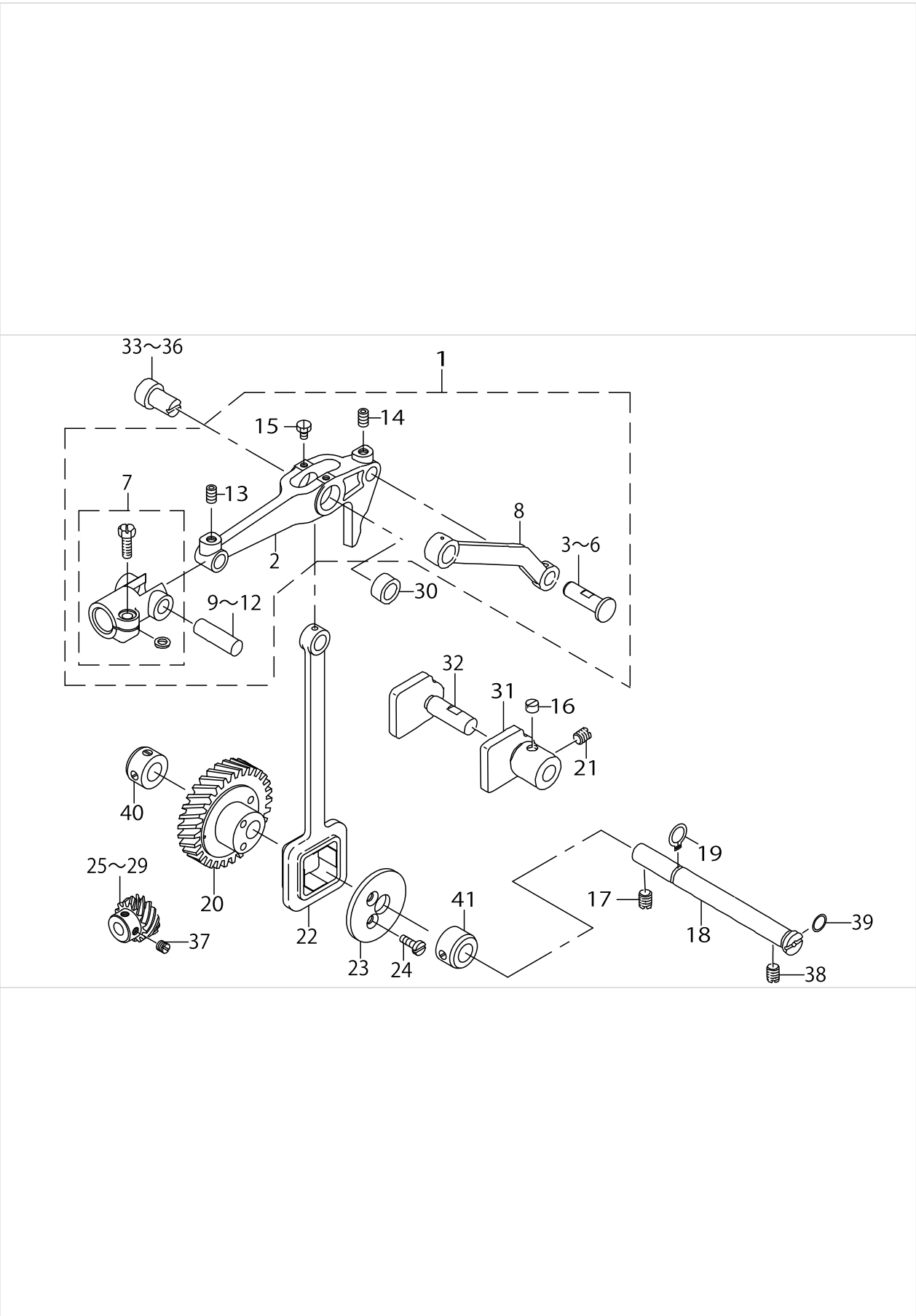
MAIN SHAFT & NEEDLE BAR COMPONENTS



MAIN SHAFT & NEEDLE BAR COMPONENTS

No.	Supply Code	Parts No.	Replacement	Parts name	Remarks	Choice	Step	Level	Cons	Qty	Rep. QTY
70		40125458		MAIN WHEEL UPPER	FOR LZ-22-84A*0B,LZ-2284AT00, LZ-2284A7*					1	
71		40125459		MAIN WHEEL LOWER	FOR LZ-22-84A*0B,LZ-2284AT00, LZ-2284A7*					1	

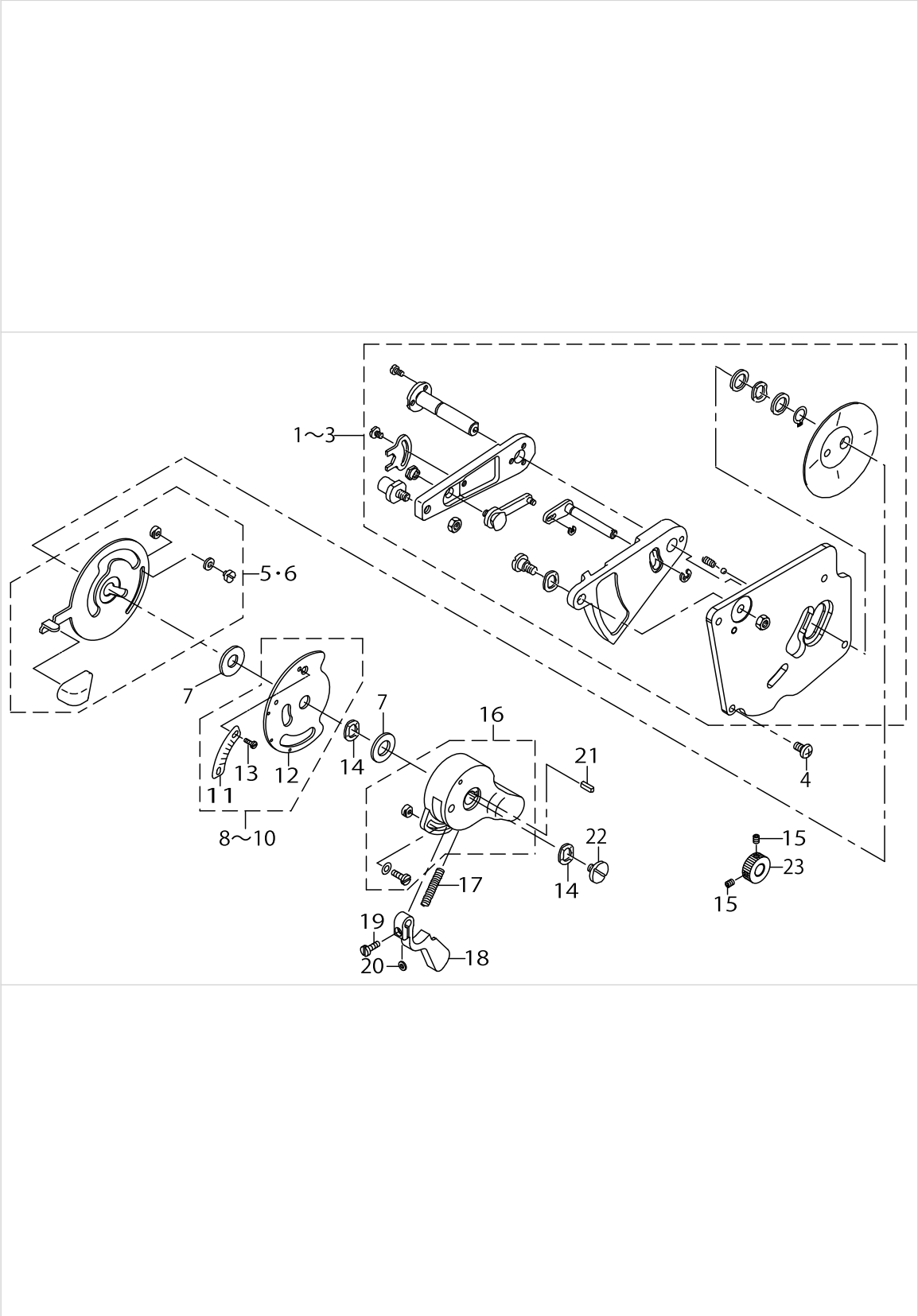
NEEDLE VIBRATOR & ADJUSTMENT COMPONENTS (1)



NEEDLE VIBRATOR & ADJUSTMENT COMPONENTS (1)

No.	Supply Code	Parts No.	Replacement	Parts name	Remarks	Choice	Step	Level	Cons	Qty	Rep. QTY
1	D	22509756		DRIVE LINK ASM.						1	
2		40065490		DRIVE LINK				*		1	
3	D	26307405		SHAFT A	SELECTIVE PARTS			*		1	
4	D	26307504		SHAFT	SELECTIVE PARTS			*		1	
5		26307603		SHAFT C	SELECTIVE PARTS			*		1	
6		26307702		SHAFT D	SELECTIVE PARTS			*		1	
7		40056375		SHAFT CONNECTION ASM.				*		1	
8		26302307		LINK				*		1	
9		10012904		PIN D	SELECTIVE PARTS			*		1	
10		10012607		PIN A	SELECTIVE PARTS			*		1	
11		10012706		PIN B	SELECTIVE PARTS			*		1	
12		10012805		PIN C	SELECTIVE PARTS			*		1	
13		SM8050812TP		SCREW M5X8				*		1	
14		SM8050812TP		SCREW M5X8				*		1	
15		SS9090610TP		SCREW 9/64-40 L=5.5				*		2	
16		SS8660410SP		SCREW 1/4-40 L=4.2						1	
17		SS8660810TP		SCREW 1/4-40 L=8						1	
18		26300608		NEEDLE VIBRATING CAM SHAFT						1	
19		RC0100001KP		SNAP RING M10						1	
20		22542500		NEEDLE VIBRATING CAM						1	
21	R	SS8150710SP	SS8150710TP	SCREW 15/64-28 L=7						1	1.00
22		22510101		NEEDLE VIBRATING ROD						1	
23		22510200		CAM COVER						1	
24		SS2110920TP		SCREW 11/64-40 L=8.5						2	
25		10011005		SCREW GEAR A	SELECTIVE PARTS					1	
26		10011104		SCREW GEAR B	SELECTIVE PARTS					1	
27		10011203		SCREW GEAR C	SELECTIVE PARTS					1	
28		10011302		SCREW GEAR D	SELECTIVE PARTS					1	
29		10014009		SCREW GEAR E	SELECTIVE PARTS					1	
30		10012201		BUSHING						1	
31		10012417		DRIVE LINK GUIDE A						1	
32		10012516		DRIVE LINK GUIDE B						1	
33		26301002		PIN A	SELECTIVE PARTS					1	
34		26301101		PIN B	SELECTIVE PARTS					1	
35		26301200		PIN B	SELECTIVE PARTS					1	
36		26301309		PIN D	SELECTIVE PARTS					1	
37		SS8660610TP		SCREW 1/4-40 L=6						2	
38		SS8660970TP		SCREW 1/4-40 L=8.5						1	
39		RO069180100		RUBBER RING					☆	1	
40		CS1031210SH		THRUST COLLAR A-SM. D=10.32 W=12						1	
41		CS103121BSH		THRUST COLLAR A-SM. D=10.32 W=12						1	

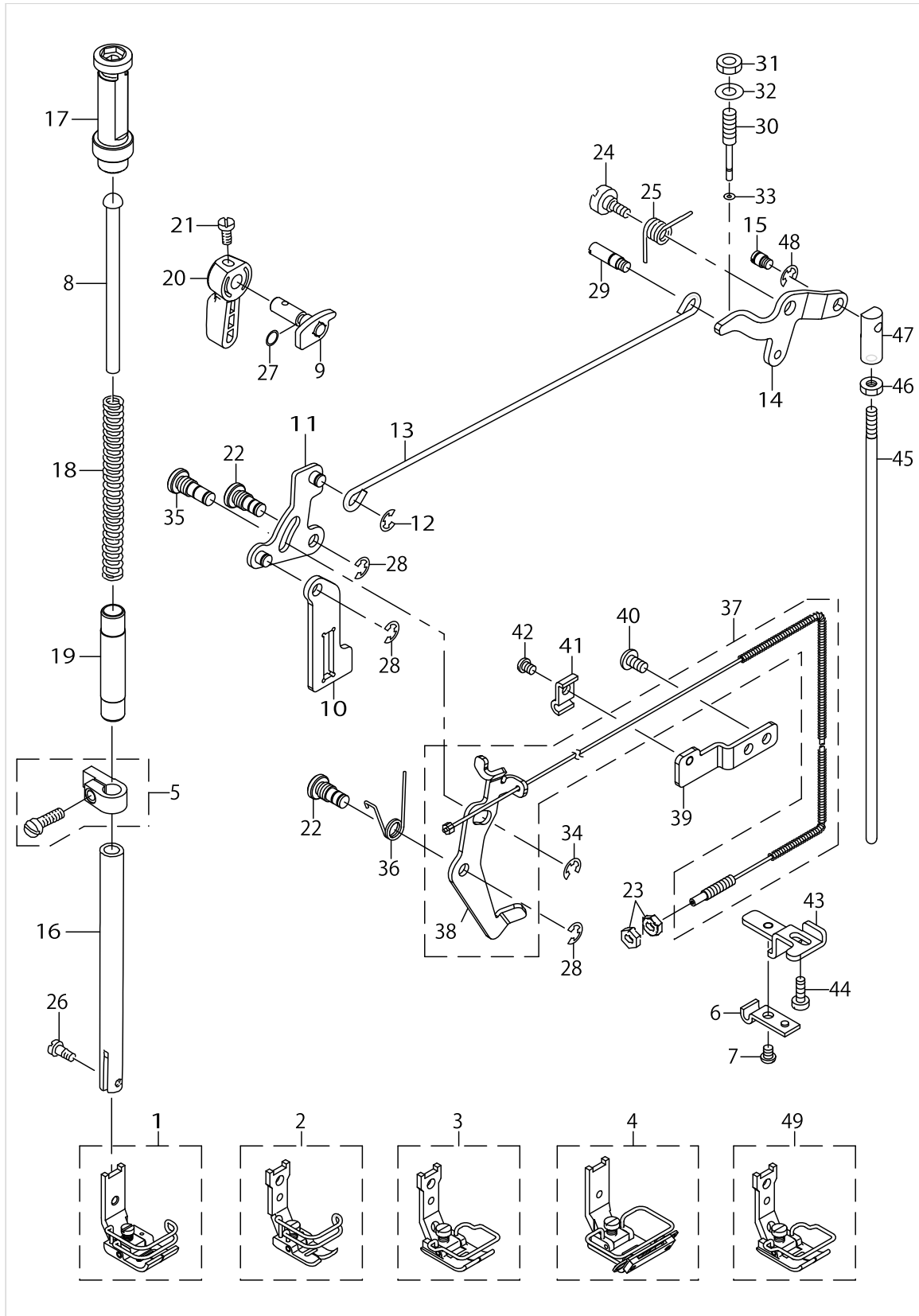
NEEDLE VIBRATOR & ADJUSTMENT COMPONENTS (2)



NEEDLE VIBRATOR & ADJUSTMENT COMPONENTS (2)

No.	Supply Code	Parts No.	Replacement	Parts name	Remarks	Choice	Step	Level	Cons	Qty	Rep. QTY
1		40125439		CHANGE_BASE_ASM_80						1	
2		40125445		CHANGE_BASE_ASM_84	FOR LZ-2284A(-7)					1	
3		40125628		CHANGE_BASE_ASM_87	FOR LZ-2287A					1	
4		SS4120915SP		SCREW 3/16-28 L=9						4	
5		26307157		LEVER ASM.						1	
6		22573257		CHANGING LEVER ASM.	FOR LZ-22-84A(-7),LZ-2287A					1	
7		WP1021016SD		WASHER						2	
8		22512362		SCALE PLATE ASM.						1	
9		40125668		SCALE_PLATE_ASM_84	FOR LZ-2284A(-7)					1	
10		40125669		SCALE_PLATE_ASM_87	FOR LZ-2287A					1	
11		22512313		SCALE PLATE				*		1	
12		26306951		SCALE MOUNTING BASE COMPL.				*		1	
13		SS6080320SP		SCREW 1/8-44 L=2.5				*		2	
14		WZ1052010KP		WAVED WASHER					☆	2	
15		SM8040502TP		SCREW M4X0.7 L=5	FOR LZ-22-84A(-7),LZ-2287A					2	
16		22512156		KNOB ASM.						1	
17		10017705		SPRING						1	
18		26306803		LEVER						1	
19		SS7090910TP		SCREW 9/64-40 L=8.5						1	
20		WP0371036SD		WASHER 3.7X6X1						1	
21		10015105		KEY						1	
22		SS7620750SP		SCREW 3/16-32 L=6.5						1	
23		23521404		ADJUSTING PICK-UP	FOR LZ-22-84A(-7),LZ-2287A					1	

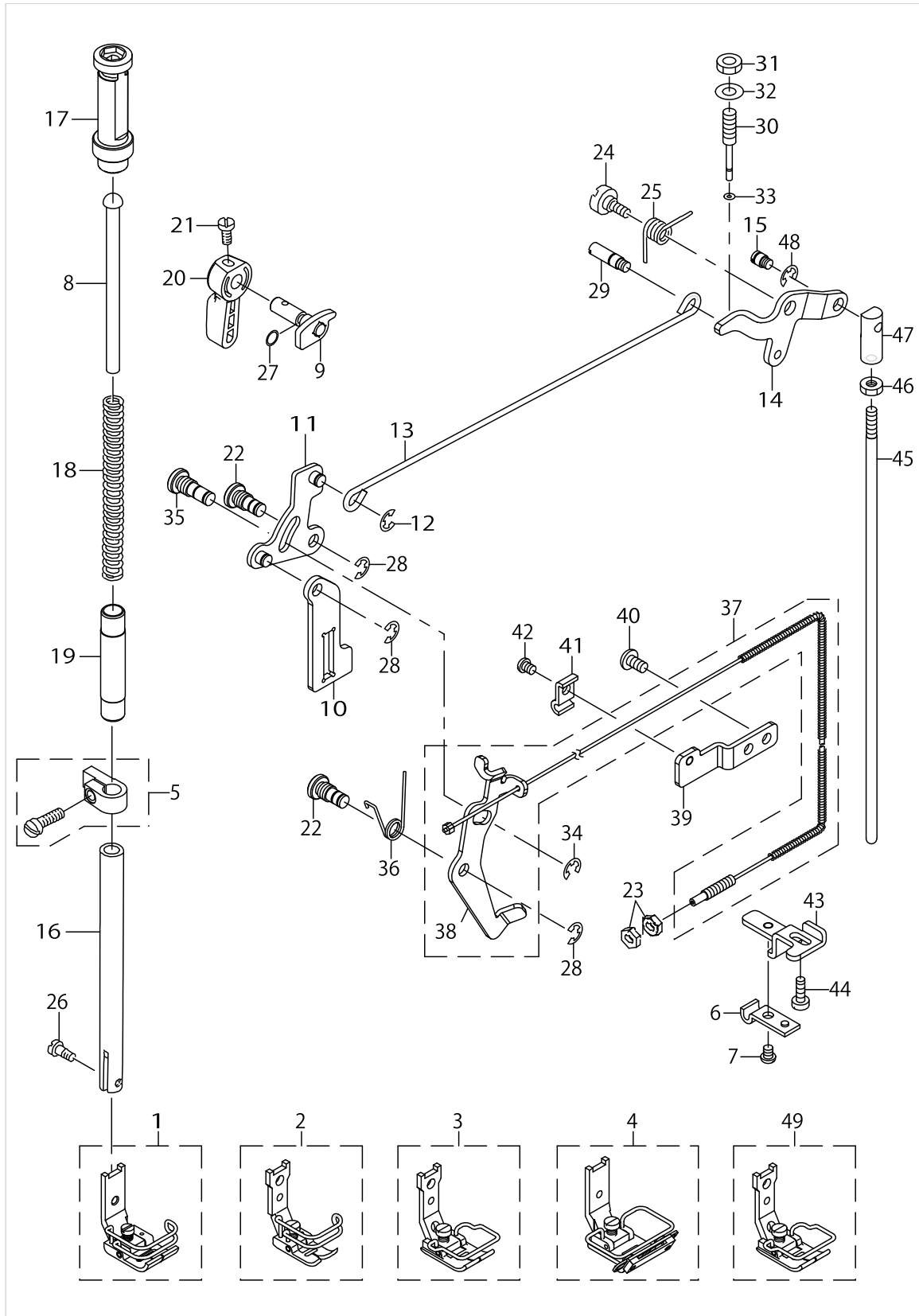
PRESSER BAR & FEED REGULATOR COMPONENTS



PRESSER BAR & FEED REGULATOR COMPONENTS

No.	Supply Code	Parts No.	Replacement	Parts name	Remarks	Choice	Step	Level	Cons	Qty	Rep. QTY
1		10045052		PRESSER FOOT ASM.	FOR LZ-2280AB					1	
2		22548671		PRESSER FOOT ASM.	FOR LZ-2280AA					1	
3		40138514		PRESSER FOOT ASM.	FOR LZ-22-84A,LZ-22-84A0B, LZ-2287A					1	
4		MAB109000B0		TAPING FOOT	FOR LZ-2284AT					1	
5		40070531		PRESSER_BAR_CONNECTION_ASM.						1	
6		D3164555B00		OUTER PRESSER PLATE	FOR LZ-228*A7					1	
7		SS4110715SP		SCREW 11/64-40 L=7	FOR LZ-228*A7					1	
8		22907703		PRESSER GUIDE BAR						1	
9		26307850		HAND LIFTER CAM COMPL.						1	
10		40125470		LIFTING PLATE						1	
11	R	22908156	22908354	LIFTING LINK ASM.						1	1.00
12		RE0500000K0		E-RING						2	
13		22908305		LIFTING LEVER CONNECTING ROD						1	
14		40125471		LIFTER LEVER LINK						1	
15		B3416552000		CONNECTING ROD HINGE SCREW						1	
16		40125469		PRESSER_BAR						1	
17		40037359		PRESSER SPRING REGURATOR ASM.						1	
18		22907406		PRESSER SPRING						1	
19		22907109		PRESSER BAR BUSHING LOWER						1	
20		22907802		HAND LIFTER						1	
21		B1521555000		SCREW						1	
22		22908701		HINGE PIN						2	
23		NS6620310SP		NUT 3/16-32	FOR LZ-228*A7					2	
24		GAK33041000		KNEE LIFTING LINK STEP-SCREW						1	
25		GAK33042000		KNEE LIFTING LINK SPRING						1	
26		SS7090910TP		SCREW 9/64-40 L=8.5					☆	1	
27		RO037180100		RUBBER RING						1	
28		RE0500000K0		E-RING						3	
29		40125666		SHAFT_PIN_AK						1	
30		40125474		ADJUST SCREW						1	
31	R	NM6060003SE	NM6060003SC	NUT FOR BRACKET						1	1.00
32		WP0621016SD		WASHER 6.2X13X1						1	
33		RO025100100		O-RING						1	
34		RE0500000K0		E-RING						1	
35		22920102		TENSION RELEASE SHAFT						1	
36		40125663		RETURN_SPRING						1	
37		40125479		THREAD_RELEASE_PLATE_ASM.	FOR LZ-228*A7					1	
38		40125475		TENSION RELEASE PLATE	EXCEPT LZ-228*A7				*	1	
39		40125473		WIRE HOLDER UPPER	FOR LZ-228*A7					1	
40		SS4120915SP		SCREW 3/16-28 L=9	FOR LZ-228*A7					2	
41		40125662		WIRE PRESSER UPPER	FOR LZ-228*A7					1	
42		SS4110715SP		SCREW 11/64-40 L=7	FOR LZ-228*A7					1	
43		40125476		WIRE HOLDER LOWER	FOR LZ-228*A7					1	
44		SS6111210SP		SCREW 11/64-40 L=12	FOR LZ-228*A7					1	
45		10022606		CONNECTING ROD VERTICAL						1	

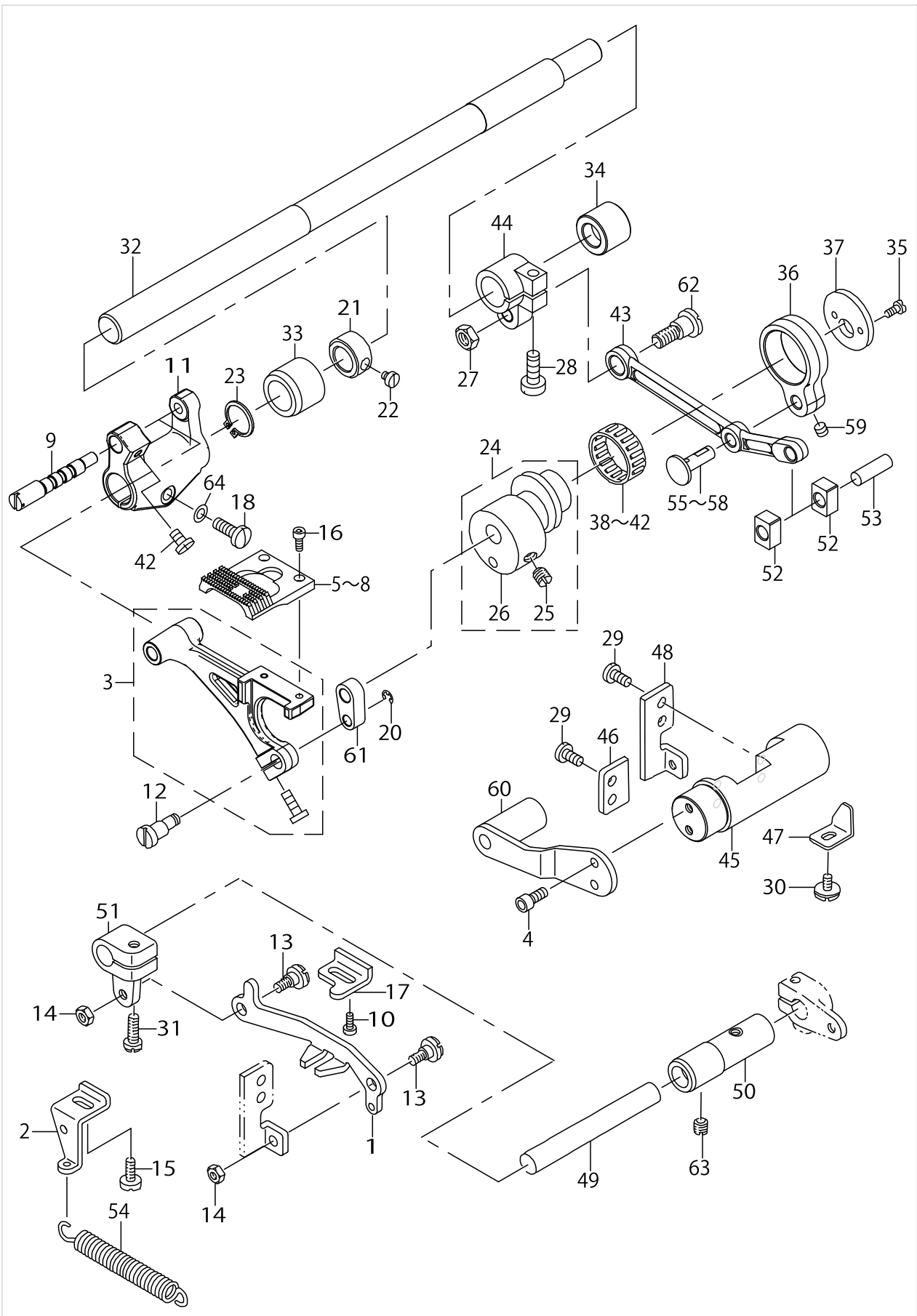
PRESSER BAR & FEED REGULATOR COMPONENTS



PRESSER BAR & FEED REGULATOR COMPONENTS

No.	Supply Code	Parts No.	Replacement	Parts name	Remarks	Choice	Step	Level	Cons	Qty	Rep. QTY
46		NS6620310SP		NUT 3/16-32						1	
47		B3416555000		SWIVEL						1	
48		RE0500000K0		E-RING						1	
49		40142886		PRESSER FOOT ASM.	FOR LZ-2280AA-BB					1	

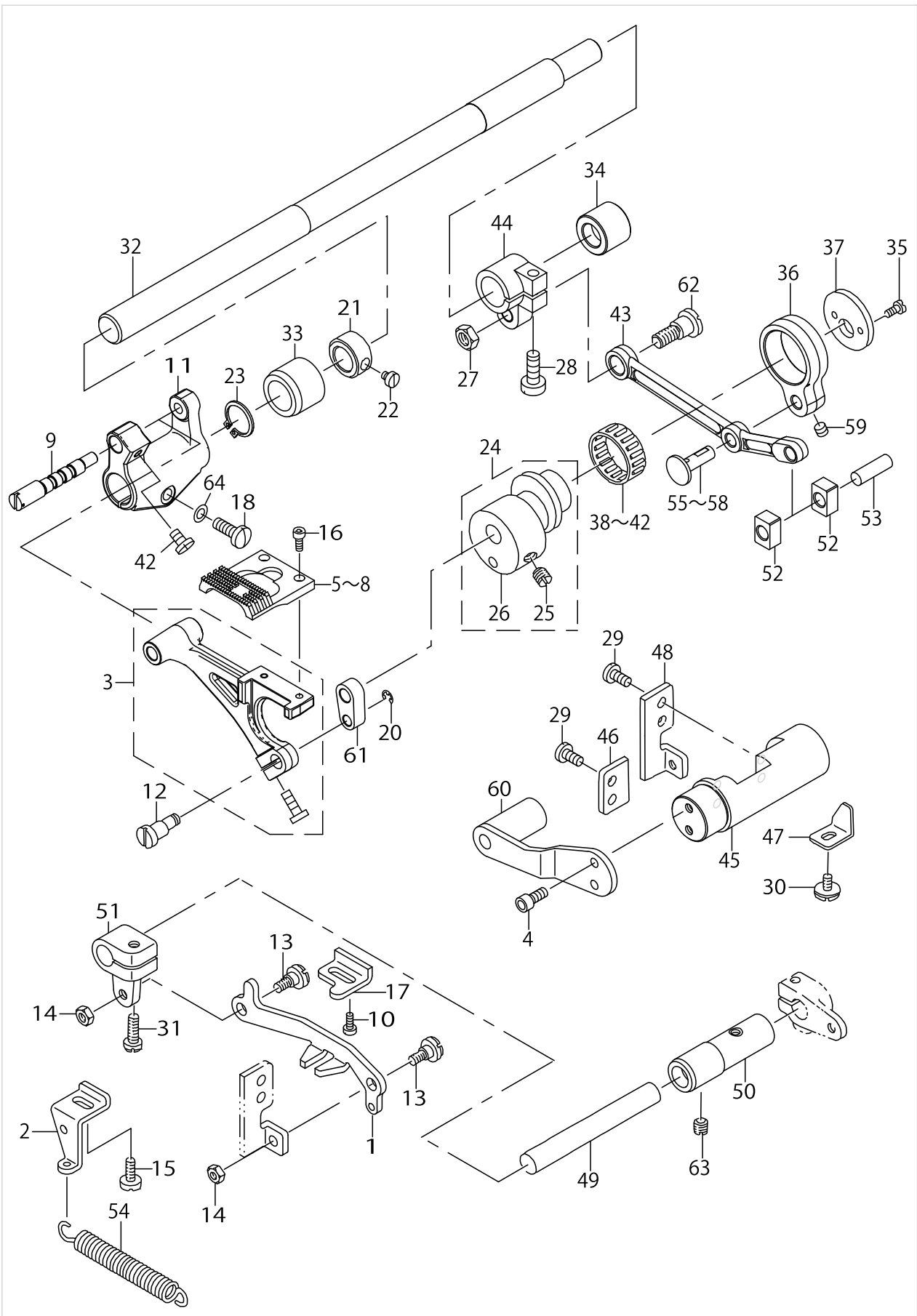
FEED MECHANISM COMPONENTS



FEED MECHANISM COMPONENTS

No.	Supply Code	Parts No.	Replacement	Parts name	Remarks	Choice	Step	Level	Cons	Qty	Rep. QTY
1		26309104		FEED REVERSAL LINK B						1	
2		22519607		TENSION SPRING RACK						1	
3		40125481		FEED_BASE_ASM.						1	
4		SS6111052TP		SCREW	FOR LZ-2280AB					2	
5		40125484		FEED_DOG	FOR LZ-2280AB					1	
6		22548119		FEED DOG	FOR LZ-2280AA					1	
7		22581508		FEED DOG	EXCEPT N-OTE #02,#03,#04					1	
8		22548804		FEED DOG	FOR LZ-2280AA-BB					1	
9		40125485		FEED_BASE_SHAFT						1	
10		SS6111140SP		SCREW11/64-40L=11						1	
11		22940605		FEED_BASE_ARM						1	
12		26303107		LINK SHAFT					☆	1	
13		SD0600321SP		HINGE SCREW D=6 H=3.2						2	
14		NS6120310SP		NUT 3/16-28						2	
15		SS6111140SP		SCREW11/64-40L=11						1	
16		SS6580752TP		SCREW 1/8-40 L=7						2	
17		10029304		REVERSE FEED LIMITER						1	
18		SS7121410TP		SCREW 3/16-28 L=14						1	
19		SS7110740TP		SCREW 11/64-40 L=7						1	
20		RE0300000K0		E-RING 3					☆	1	
21	R	22904106	22904155	MAIN SHAFT THRUST COLLAR						1	1.00
22		SS6660710TP		SCREW 1/4-40 L=7						1	
23		RC0150001KP		RETAINING RING 13.8						1	
24		10026763		ECCENTRIC CAM ASM.						1	
25		SS8660810TP		SCREW 1/4-40 L=8				*		2	
26	D	10026706		ECCENTRIC CAM				*		1	
27		NS6680410SP		NUT 9/32-28						1	
28		SS6121610TP		SCREW 3/16-28 L=15.5						1	
29		SS7110910TP		SCREW 11/64-40 L=8.5						4	
30		SS5110710SP		SCREW 11/64-40 L=7						1	
31		SS7121410TP		SCREW 3/16-28 L=14						1	
32		40125486		FEED_ROCKER_SHAFT						1	
33		22913008		FEED ROCKER SHAFT BUSHING						1	
34		40125490		FEED_SHAFT_BUSH_R						1	
35		SS4080620TP		SCREW 1/8-44 L=6						2	
36		40125487		HORIZONTAL_FEED_ROD						1	
37		10026904		SIDE DISC PLATE						1	
38		B1609804A00		BUSHING	SELECTIVE PARTS					1	
39		B1609804B00		NEEDLE BEARING	SELECTIVE PARTS					1	
40		B1609804C00		BEARING	SELECTIVE PARTS					1	
41		B1609804D00		BEARING	SELECTIVE PARTS					1	
42		B1609804E00		BEARING	SELECTIVE PARTS					1	
43		40125488		CONNECTING_ROD						1	
44		B16085550A0		FEED ROCKER SHAFT CRANK ASM.						1	
45		40010319		FEED ADJUSTING						1	

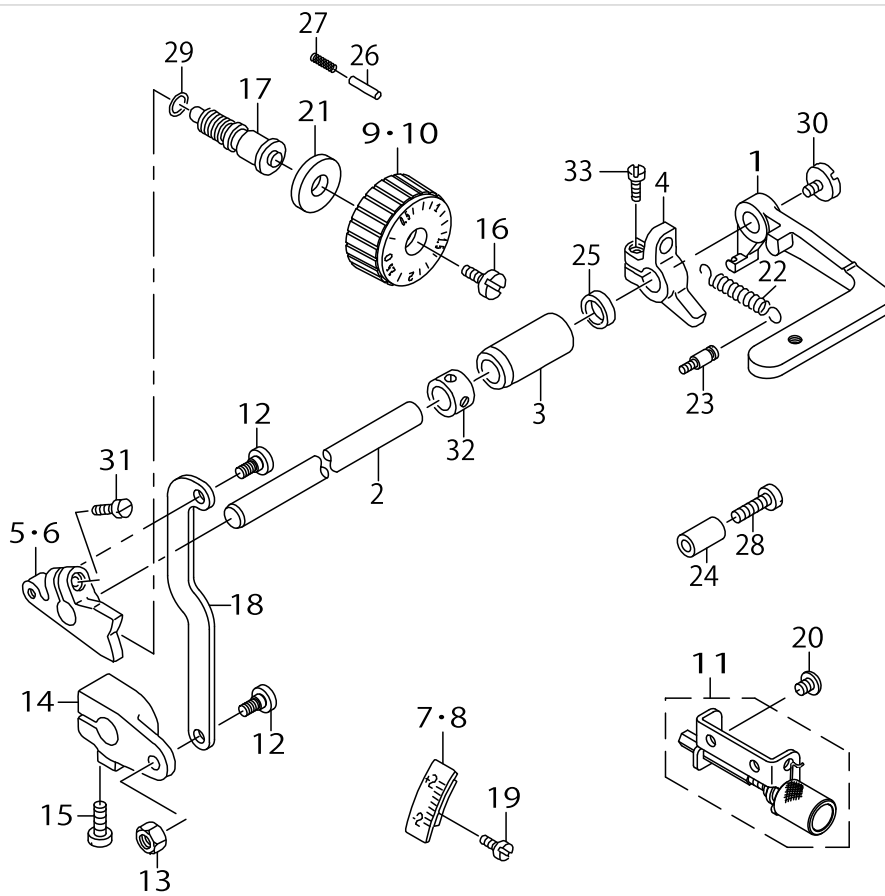
FEED MECHANISM COMPONENTS



FEED MECHANISM COMPONENTS

No.	Supply Code	Parts No.	Replacement	Parts name	Remarks	Choice	Step	Level	Cons	Qty	Rep. QTY
46		26303404		PLATE A						1	
47		10027506		STOPPER PLATE						1	
48		10027407		PLATE B						1	
49		26303503		FEED VARIABLE SHAFT						1	
50		40043912		BUSHING						1	
51		26303701		FEED VARIABLE ARM C						1	
52		40050457		FEED DRIVING ROCKER BLOCK						2	
53		40032271		FEED DRIVING ROCKER BLOCK PIN						1	
54		B1646555000		TENSION SPRING						1	
55		40010286		JUNCTION SHAFT A	SELECTIVE PARTS					1	
56		40010287		JUNCTION SHAFT B	SELECTIVE PARTS					1	
57		40010288		JUNCTION SHAFT C	SELECTIVE PARTS					1	
58		40010289		JUNCTION SHAFT D	SELECTIVE PARTS					1	
59		SM8050402TP		SCREW						1	
60		26309351		COUNTER WEIGHT	FOR LZ-2280AB					1	
61		40125483		VERTICAL_FEED_LINK					☆	1	
62		SD0900701TP		HINGESCREWD=9H=7						1	
63		SS8150510TP		SCREW 15/64-28 L=4.7						1	
64	R	WP0480856SD	WP0480856SP	WASHER 4.8X8.4X0.8						1	1.00

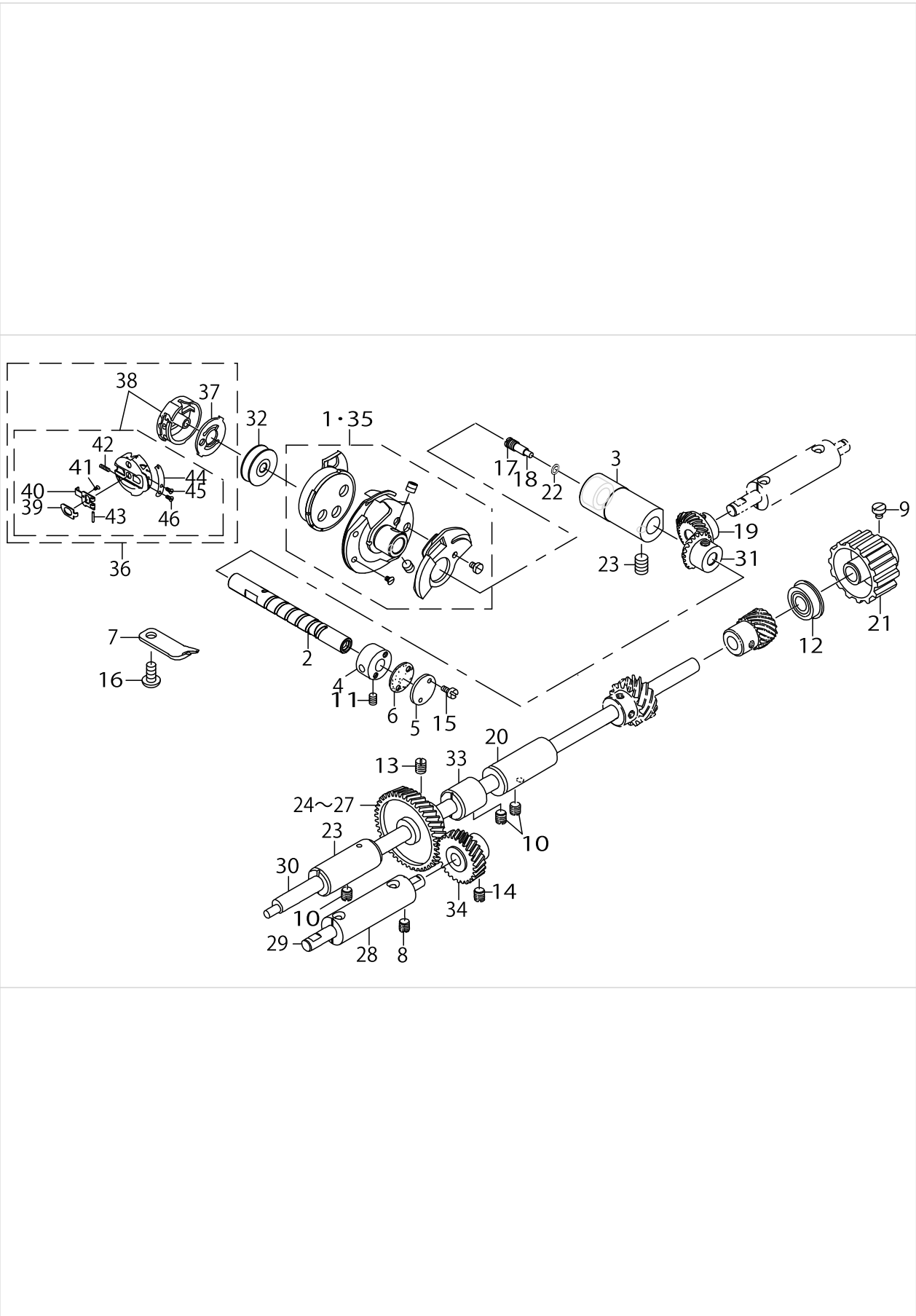
FEED MECHANISM & CONDENSE COMPONENTS



FEED MECHANISM & CONDENSE COMPONENTS

No.	Supply Code	Parts No.	Replacement	Parts name	Remarks	Choice	Step	Level	Cons	Qty	Rep. QTY
1		40056754		LEVER						1	
2		26312405		FEED REGULATOR SHAFT						1	
3		26308205		BUSHING						1	
4		26308353		CONDENSE STOPPER ARM ASM.						1	
5		40125491		FEED_DRIVING_ADJUSTER_2280AA	FOR LZ-2280AA					1	
6		40125492		FEED_DRIVING_ADJUSTER_2280AB	FOR LZ-2280AB					1	
7		22519805		SCALE PLATE	FOR LZ-2280AA					1	
8		22540207		SCALE PLATE	FOR LZ-2280AB					1	
9		26302000		FEED DIAL	FOR LZ-2280AA					1	
10		22911903		FEED DIAL	FOR LZ-2280AB					1	
11		40057195		CONDENSE KNOB ASM.						1	
12		SD0600321SP		HINGE SCREW D=6 H=3.2						2	
13		NS6120310SP		NUT 3/16-28						1	
14	D	26303602		FEED VARIABLE ARM B						1	
15		SS6121610TP		SCREW 3/16-28 L=15.5						1	
16		SS6121860SP		SCREW 3/16-28 L=18						1	
17		22519201		ADJUSTING SCREW						1	
18		26314401		FEED REVERSAL LINK						1	
19		SS4120615SP		SCREW 3/16-28 L=6						2	
20		SS4120615SP		SCREW 3/16-28 L=6						2	
21		D2468555B00		RUBBER PLUNGER	FOR LZ-228*A7					1	
22		D2515232D00		TORSION SPRING						1	
23		26226407		TENSION SPRING HOOK						1	
24		22952501		BACK LEVER STOPPER						1	
25	R	B2508704000	40176173	OIL SEAL						1	1.00
26		22912000		FEED REGULATOR PIN						1	
27		22912109		FEED REGULATOR PIN SPRING						1	
28		SS6121840SP		SCREW 3/16-28 L=18						1	
29		RO074240100		RUBBER RING						1	
30		SS7620750SP		SCREW 3/16-32 L=6.5						1	
31		SS7121410TP		SCREW 3/16-28 L=14						1	
32		CS1031210SH		THRUST COLLAR A- SM. D=10.32 W=12						1	
33		SS7121410TP		SCREW 3/16-28 L=14						1	

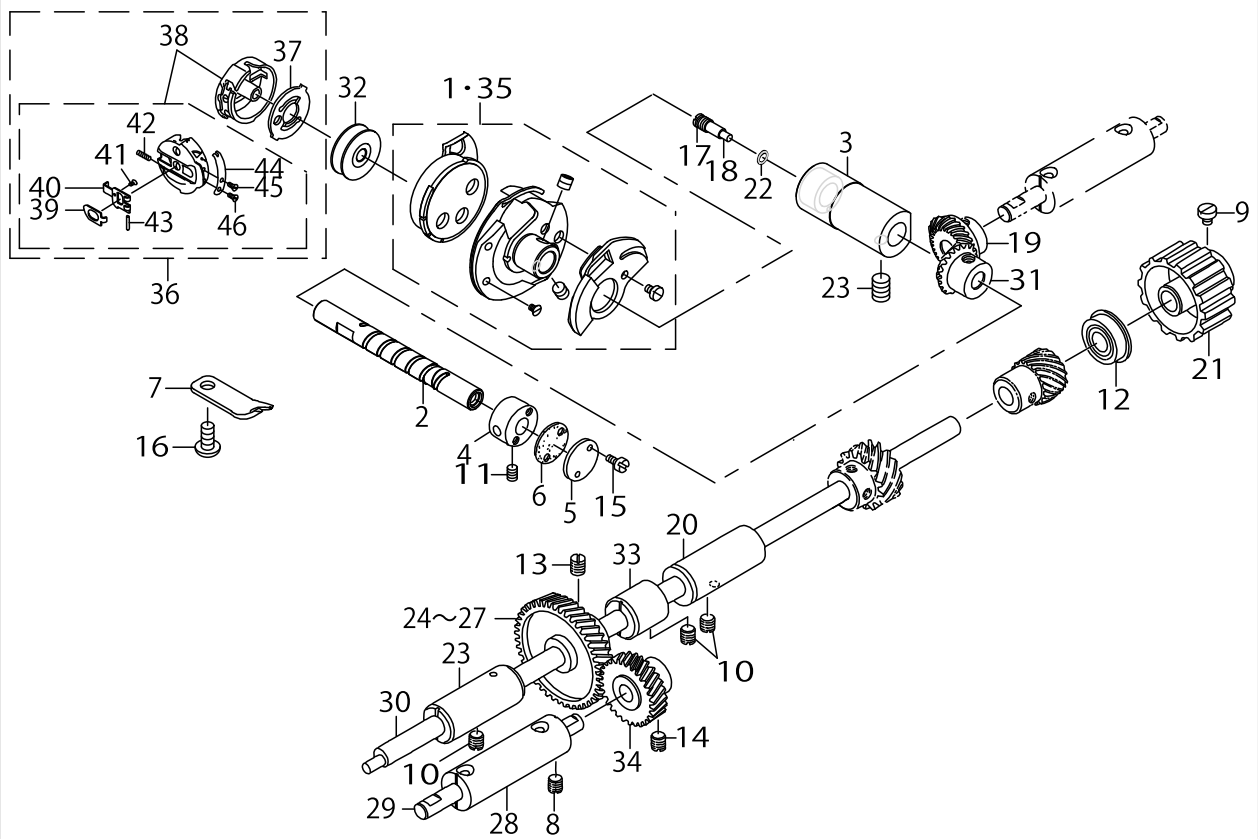
HOOK DRIVING SHAFT & HOOK COMPONENTS



HOOK DRIVING SHAFT & HOOK COMPONENTS

No.	Supply Code	Parts No.	Replacement	Parts name	Remarks	Choice	Step	Level	Cons	Qty	Rep. QTY
1		22525877		HOOK COMPL. V	FOR PLACE OF DESTINATION BB.GG				☆	1	
2		40125500		HOOK SHAFT						1	
3		40125501		HOOK_SHAFT_BUSHING_F						1	
4		40125502		HOOK_SHAFT_BUSHING_R						1	
5		10031615		BUSHING CAP						1	
6		10031714		GASKET						1	
7		23503402		INNER HOOK STOPPER						1	
8	R	SS8150710SP	SS8150710TP	SCREW 15/64-28 L=7						1	1.00
9		SS6660710TP		SCREW 1/4-40 L=7						2	
10	R	SS8150710SP	SS8150710TP	SCREW 15/64-28 L=7						3	1.00
11		SS8150822TP		SCREW 15/64-28 L=8						1	
12		SB109530100		BEARING D=9.52X22.22						1	
13		SS8660810TP		SCREW 1/4-40 L=8						2	
14		SS8660810TP		SCREW 1/4-40 L=8						2	
15		SS4080620TP		SCREW 1/8-44 L=6						2	
16		SS4110915SP		SCREW 11/64-40 L=9						1	
17		22916506		SET SCREW					☆	1	
18		11015906		OIL WICK					☆	1	
19		B13071550A0		GEAR ASM. LARGE						1	
20		10030310		BUSHING REAR						1	
21		10030401		HOOK DRIVING SHAFT SPROCKET						1	
22		RO036080200		RUBBER RING					☆	1	
23		10030104		BUSHING FRONT						1	
24		10030609		HELICAL GEAR A_A	SELECTIVE PARTS					1	
25		10030708		HELICAL GEAR A_B	SELECTIVE PARTS					1	
26	D	10030807		HELICAL GEAR A_C	SELECTIVE PARTS					1	
27		10030906		HELICAL GEAR A_D	SELECTIVE PARTS					1	
28		26309609		BUSHING						1	
29		26309708		SHAFT						1	
30		40010305		HOOK DRIVING SHAFT						1	
31		B13081550A0		PINION ASM.						1	
32		22596704		BOBBIN S					☆	1	
33		10030211		BUSHING						1	
34		10031003		HELICAL GEAR B						1	
35		40161000		HOOK_COMPL._VS	FOR PLACE OF DESTINATION AA				☆	1	
36		40125507		BOBBIN CASE ASM.						1	
37		13729702		BOBBIN CASE SPRING				*	☆	1	
38		40125508		BOBBIN CASE COMPL.				*	☆	1	
39		19800903		LC-601-1/ LATCH LEVER				*		1	
40		19801000		LC-602-2/ LATCH				*		1	
41		19801307		SMS-801-B/ SETSCREW PICK-UP				*		1	
42		19801109		LSP-4/ LATCH SPRING				*		1	
43		19801208		LFP-1/ LATCH PIN				*		1	
44		19801406		TSP-604-B/ TENSION SPRING				*		1	

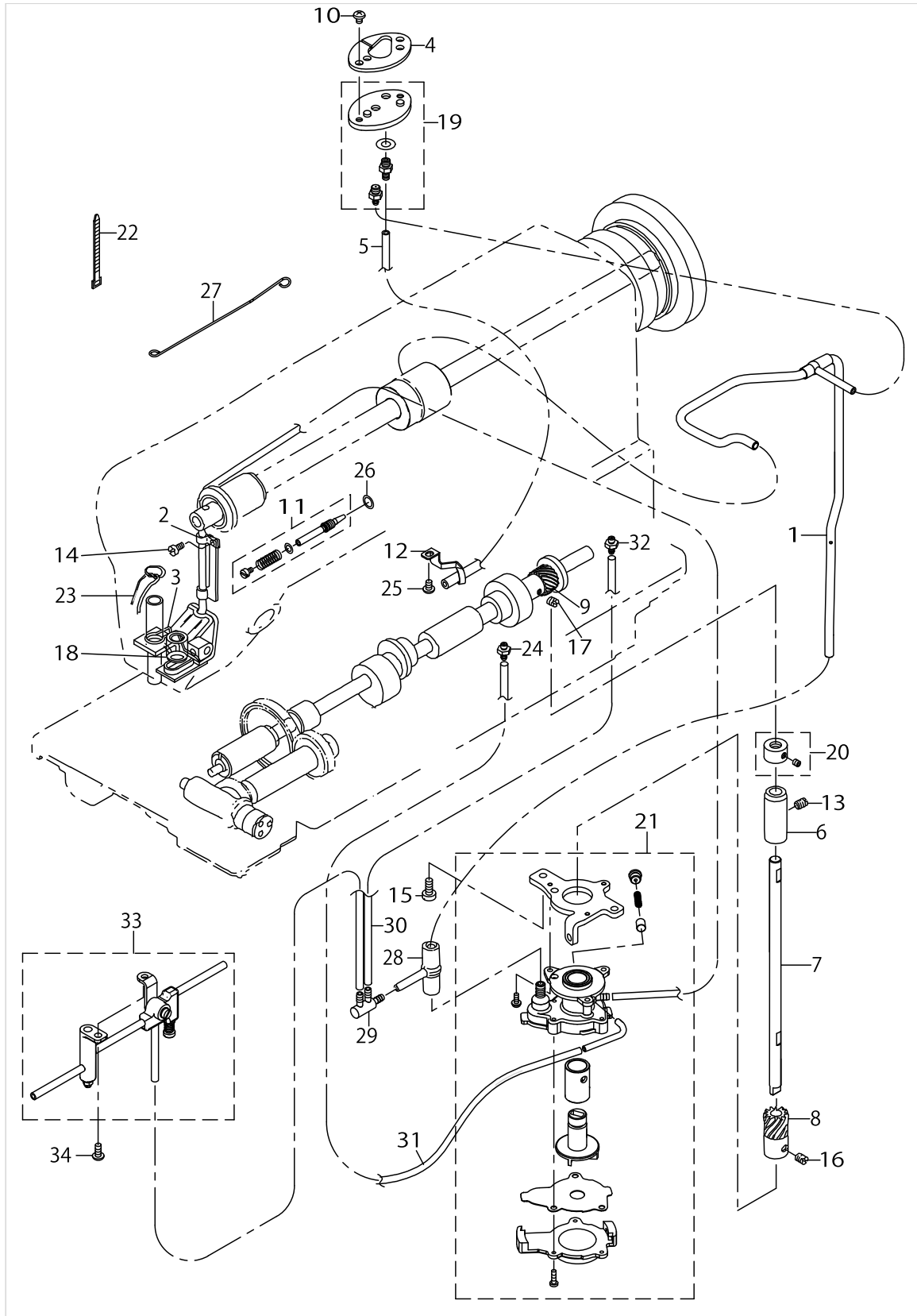
HOOK DRIVING SHAFT & HOOK COMPONENTS



HOOK DRIVING SHAFT & HOOK COMPONENTS

No.	Supply Code	Parts No.	Replacement	Parts name	Remarks	Choice	Step	Level	Cons	Qty	Rep. QTY
45		19801505		SMS-608-B/ TENSION SCREW				*		1	
46		19801604		SMS-609-B/ SETS-CREW TENSION SPRING				*		1	

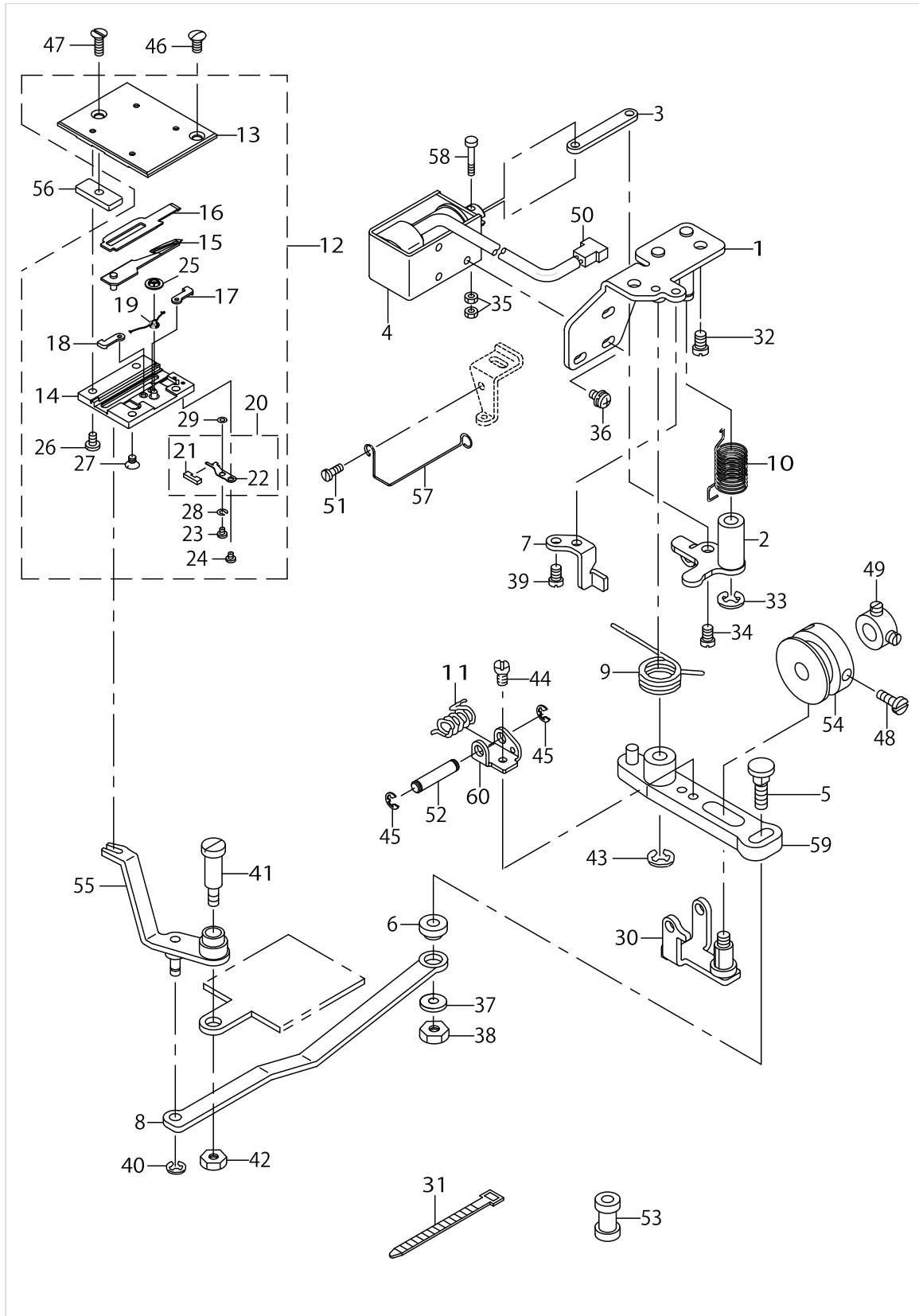
LUBRICATION COMPONENTS



LUBRICATION COMPONENTS

No.	Supply Code	Parts No.	Replacement	Parts name	Remarks	Choice	Step	Level	Cons	Qty	Rep. QTY
1		40125511		MAIN_SHAFT_OIL_PIPE_ASM.						1	
2		40125515		FELT_ASM.						1	
3		40125699		FELT_PRESSER						1	
4		40070261		GASKET						1	
5		BP30000010R		VINYL PIPE						.3	
6		10035301		BUSHING						1	
7		40101461		UPRIGHT SHAFT						1	
8		10035111		PUMP DRIVING GEAR						1	
9		10035004		PUMP DRIVING GEAR A						1	
10		SS4110515SP		SCREW 11/64-40 L=5						2	
11		40135266		SCREW_ASM						1	
12		40009373		OIL FELT GUIDE						1	
13	R	SS8150710SP	SS8150710TP	SCREW 15/64-28 L=7						1	1.00
14		SS4110715SP		SCREW 11/64-40 L=7						1	
15		SS6111140SP		SCREW11/64-40L=11						2	
16		SS8660530TP		SCREW 1/4-40 L=4.5						2	
17		SS8660530TP		SCREW 1/4-40 L=4.5						2	
18		CQ202000000		OIL WICK						.2	
19		40070259		OIL_TANK_ASM.						1	
20		22917058		THRUST COLLAR ASM. FRONT						1	
21		40125513		OIL_PUMP_ASM.						1	
22		EA9500B0100		CABLE BAND						5	
23		CQ202000000		OIL WICK						.2	
24		SQ1110402MZ		CONNECTING SCREW						1	
25		SS4110615SP		SCREW 11/64-40 L=6						1	
26		RO029180100		RUBBER RING						1	
27		40125667		PIPE HOLDER						1	
28		22924609		RUBBER JOINT						1	
29		23629504		DISTRIBUTOR						1	
30		23630007		TUBE						.08	
31		23630007		TUBE						.06	
32		SQ1110402MZ		CONNECTING SCREW						1	
33		40125516		OIL_REGULATING_BASE_ASM.						1	
34		SS4110915SP		SCREW 11/64-40 L=9						1	

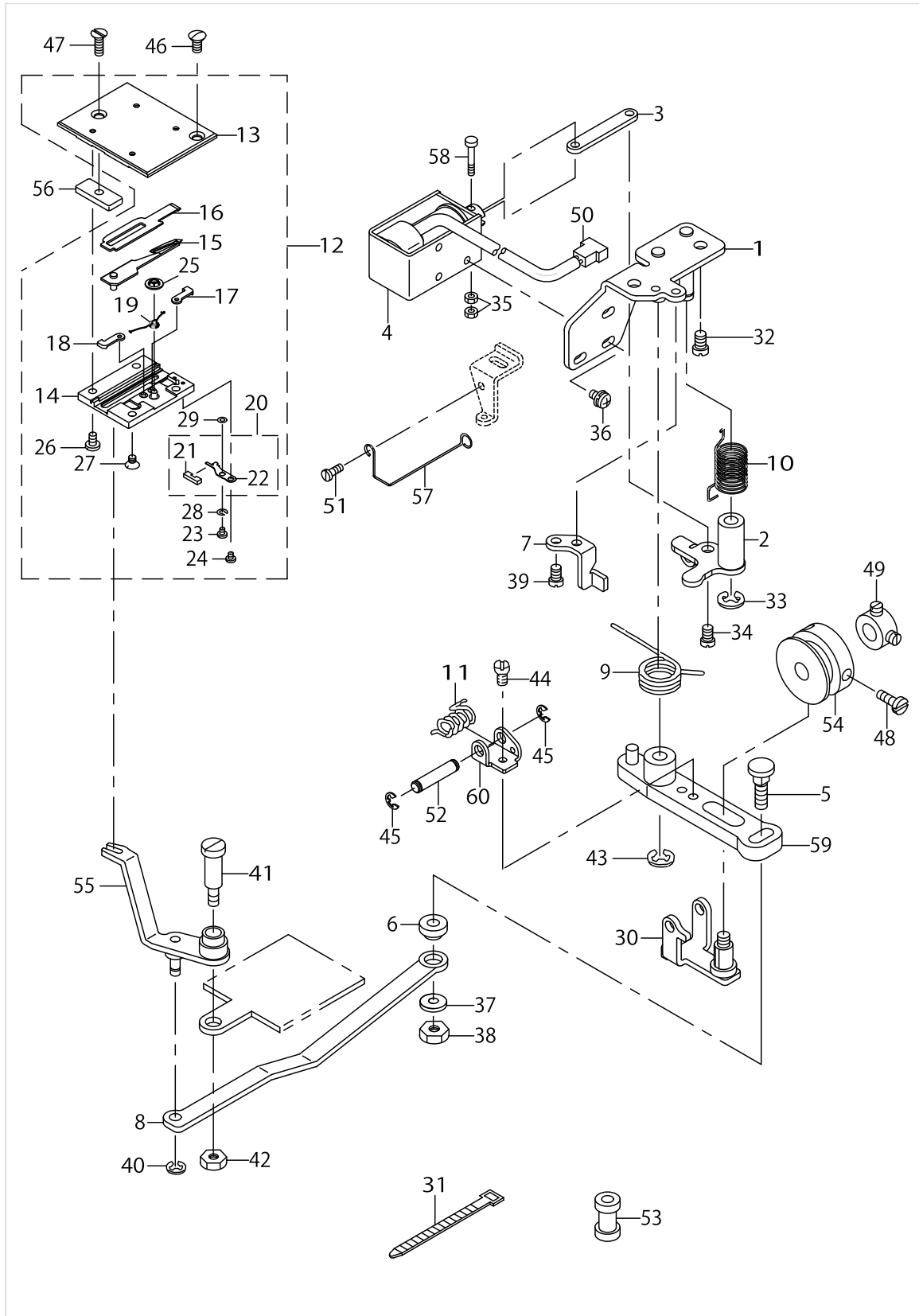
THREAD TRIMMER MECHANISM COMPONENTS



THREAD TRIMMER MECHANISM COMPONENTS

No.	Supply Code	Parts No.	Replacement	Parts name	Remarks	Choice	Step	Level	Cons	Qty	Rep. QTY
1		22554158		BASE PLATE ASM.						1	
2		40125531		ASSY CLUTCH PLATE						1	
3		22554505		CLUTCH LINK						1	
4		40106079		THREAD_TRIMMER_SOLENOID						1	
5		40010295		MOVING KNIFE LINK PIN						1	
6		22554802		MOVING KNIFE LINK BASE						1	
7		22554901		DRIVING ARM STOPPER						1	
8		22555007		MOVING KNIFE LINK						1	
9		22555106		KNIFE RETURN SPRING						1	
10		22555205		CLUTCH SPRING						1	
11		22555304		ROLLER RETURN SPRING						1	
12		22557458		KNIFE UNIT						1	
13		22558308		SLIDING PLATE				*		1	
14		22558407		KNIFE BASE				*		1	
15		22557557		DRIVING KNIFE ASM.				*	☆	1	
16		22557706		FIXED KNIFE				*	☆	1	
17		22557805		KNIFE STOPPER (RIGHT)				*	☆	1	
18		22557904		KNIFE STOPPER (LEFT)				*	☆	1	
19		22558209		SPRING				*	☆	1	
20		22558159		CLAMP PLATE ASM.				*		1	
21		22558001		FELT				*	☆	1	
22		22558100		CLAMP PLATE				*	☆	1	
23		SS7060310SP		SCREW 3/32-56 L=3				*		1	
24		SS7060310SP		SCREW 3/32-56 L=3				*		1	
25		NP210300000		LOCATING SPRING WASHER				*	☆	1	
26		SS7090610SP		SCREW 9/64-40 L=6				*		2	
27		SS1090510SP		SCREW 9/64-40 L=5				*		2	
28		WS0270002KN		SPRING WASHER M2.6				*		1	
29		D2056772B0B		WASHER B T=0.4				*		1	
30		22555858		ROLLER ARM ASM.						1	
31		EA9500B0100		CABLE BAND						3	
32		SS4150915SP		SCREW 15/64-28 L=9						2	
33		RE0600000K0		E-RING 6						1	
34		SD0600291TP		HINGE SCKEW D=6 H=2.9						1	
35		NM6030001SB		NUT M3						2	
36		SL4040881SC		SCREW M4 L=8						3	
37		WP0621016SH		WASHER						1	
38		NS6150430SP		NUT 15/64-28						1	
39		SS4110915SP		SCREW 11/64-40 L=9						2	
40		RE0500000K0		E-RING						1	
41		SD0791503SP		HINGE SCREW D=7.94 H=15						1	
42		NS6150310SP		NUT 15/64-28						1	
43		RE0600000K0		E-RING 6						1	
44		SS7090610SP		SCREW 9/64-40 L=6						1	
45		RE0400000K0		E-RING 4						2	
46		SS2110920TP		SCREW 11/64-40 L=8.5						1	

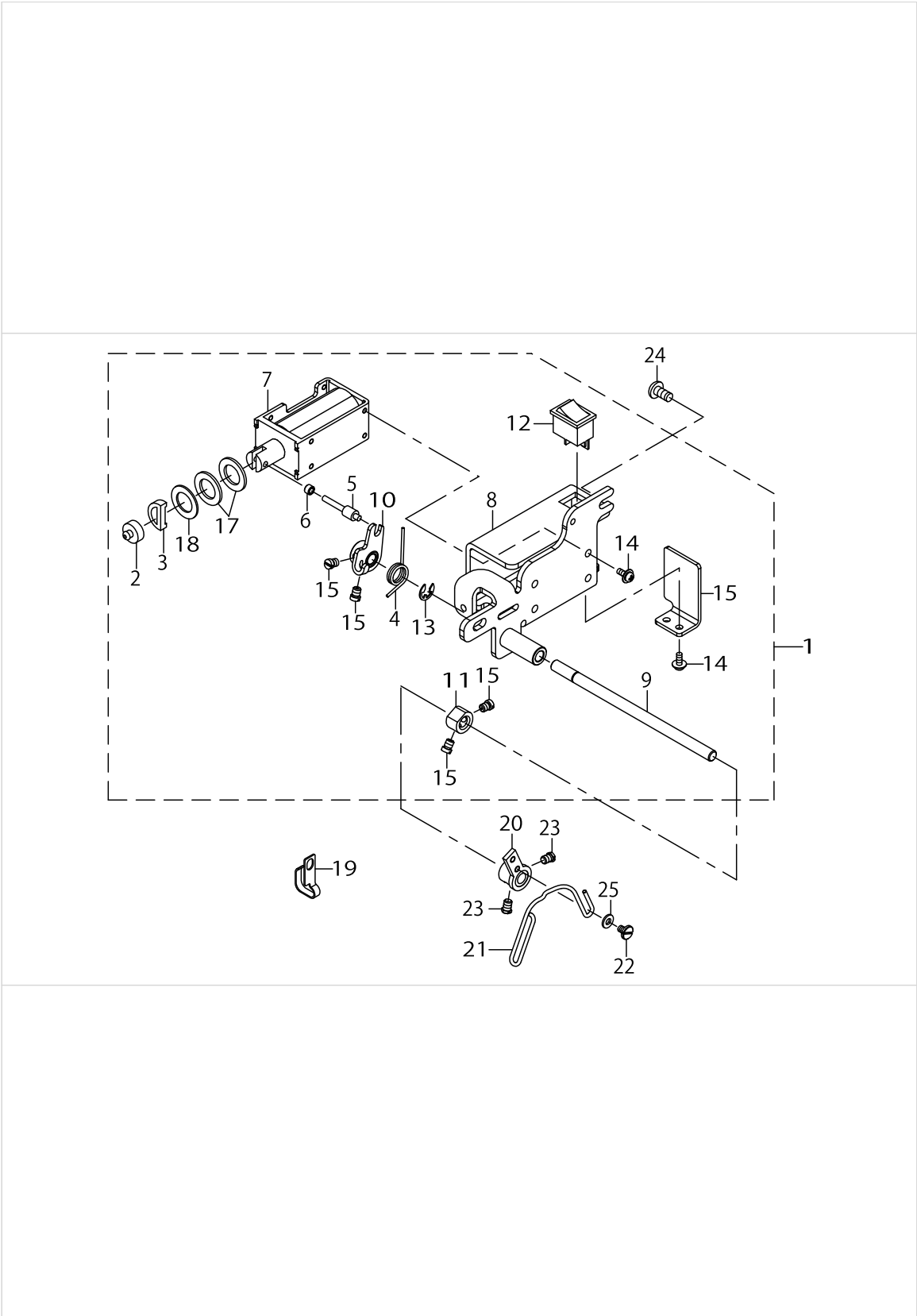
THREAD TRIMMER MECHANISM COMPONENTS



THREAD TRIMMER MECHANISM COMPONENTS

No.	Supply Code	Parts No.	Replacement	Parts name	Remarks	Choice	Step	Level	Cons	Qty	Rep. QTY
47		SS2111010TP		SCREW 11/64-40 L=9.5						1	
48		SS6660710TP		SCREW 1/4-40 L=7						2	
49		CS095101BSH		THRUST COLLAR A- SM. D=9.53 W=10						1	
50		HK00443002A		HOUSING 2P						1	
51		SS4110615SP		SCREW 11/64-40 L=6						1	
52		22949101		ROLLER FULCRUM SHAFT						1	
53		D2467555B00		RUBBER PLUG					☆	2	
54		22558506		THREAD CUTTING CAM B						1	
55		22555551		FORK KNIFE ASM.						1	
56		22556906		FIXED PLATE						1	
57		22557003		CORD PRESSER						1	
58		23542418		CLUTCH LINK PIN						1	
59		22948558		KNIFE DRIVING ARM ASM.						1	
60		22949002		ROLLER ARM SEAT						1	

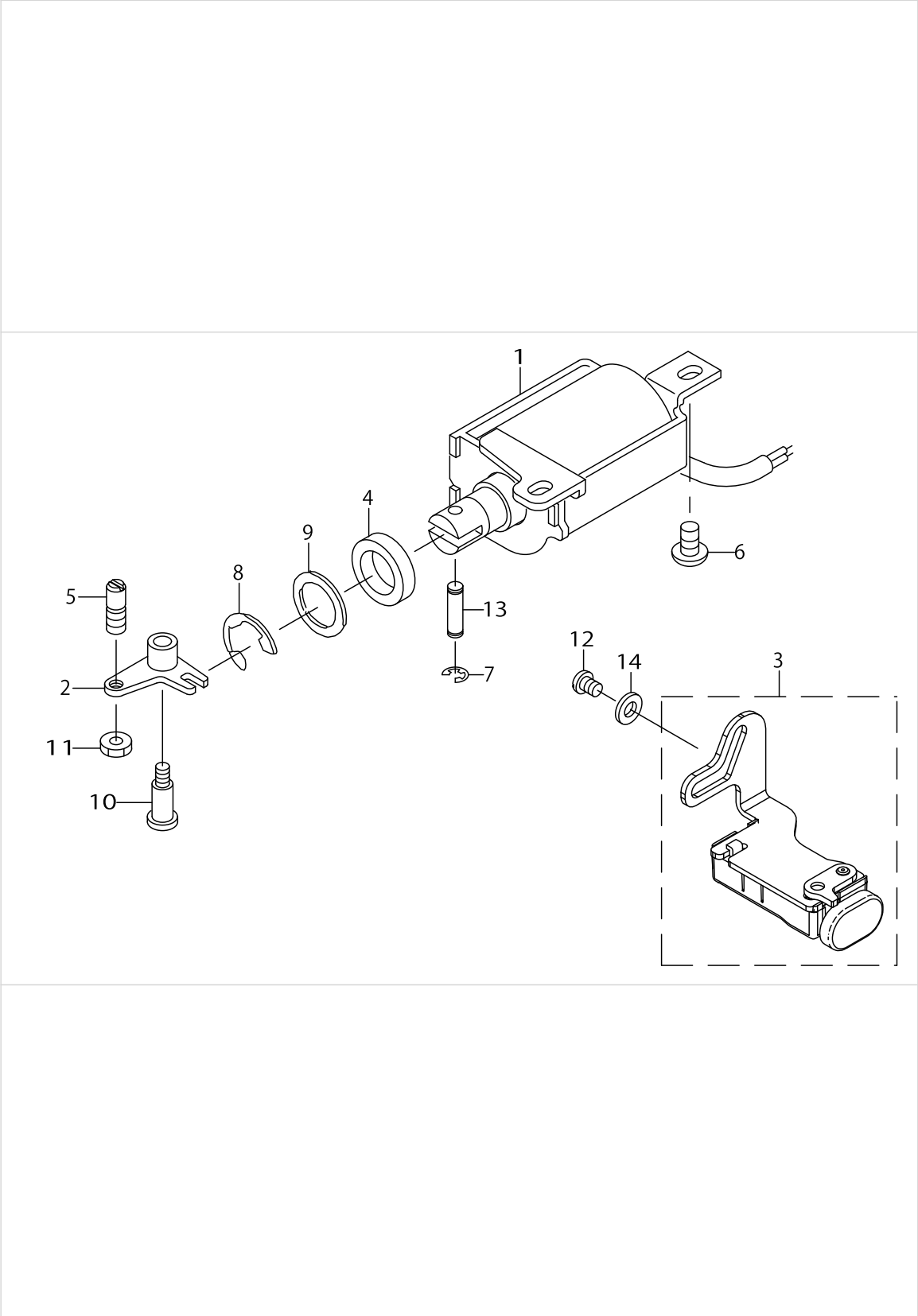
UPPER THREAD FEEDER COMPONENTS



UPPER THREAD FEEDER COMPONENTS

No.	Supply Code	Parts No.	Replacement	Parts name	Remarks	Choice	Step	Level	Cons	Qty	Rep. QTY
1		40125550		THREAD_FEEDER_ASM.						1	
2		22955900		WIPER RUBBER A				*		1	
3		22956007		WIPER RUBBER B				*		1	
4		22956304		WIPER SPRING				*		1	
5		22957104		WIPER SOLENOID SHAFT				*		1	
6		22957203		WIPER LINK COLLAR				*		1	
7		40106939		WIPER SOLENOID_ASM.				*		1	
8		40125551		SOLENOID_SETTING_PLATE_ASM.				*		1	
9		40125554		FEED_LEVER_SHAFT				*		1	
10		40125555		FEED_LEVER_ASM.				*		1	
11		CS0640863SH		THRUST COLLAR D=6.35 W=8				*		1	
12		HA00600000A		SWITCH				*		1	
13		RE0500000KP		E-RING 5				*		1	
14		SL4030881SF		SCREW M3 L=8				*		6	
15		SS7110540SP		SCREW 11/64-40 L=5				*		4	
16		40125655		SWITICH_COVER				*		1	
17		11234408		SOLENOID RUBBER				*		2	
18		WP1221016SP		WASHER				*		1	
19		40022407		CORD HOLDER						1	
20		22564959		FITTING PLATE COMPL.						1	
21		40125559		FEED_WIRE						1	
22		SS6090540SP		SCREW 9/64-40 L=5.0						2	
23		SS9110620TP		SCREW						2	
24		SS4120915SP		SCREW 3/16-28 L=9						2	
25		WP0371016SD		WASHER 3.7X8X1						2	

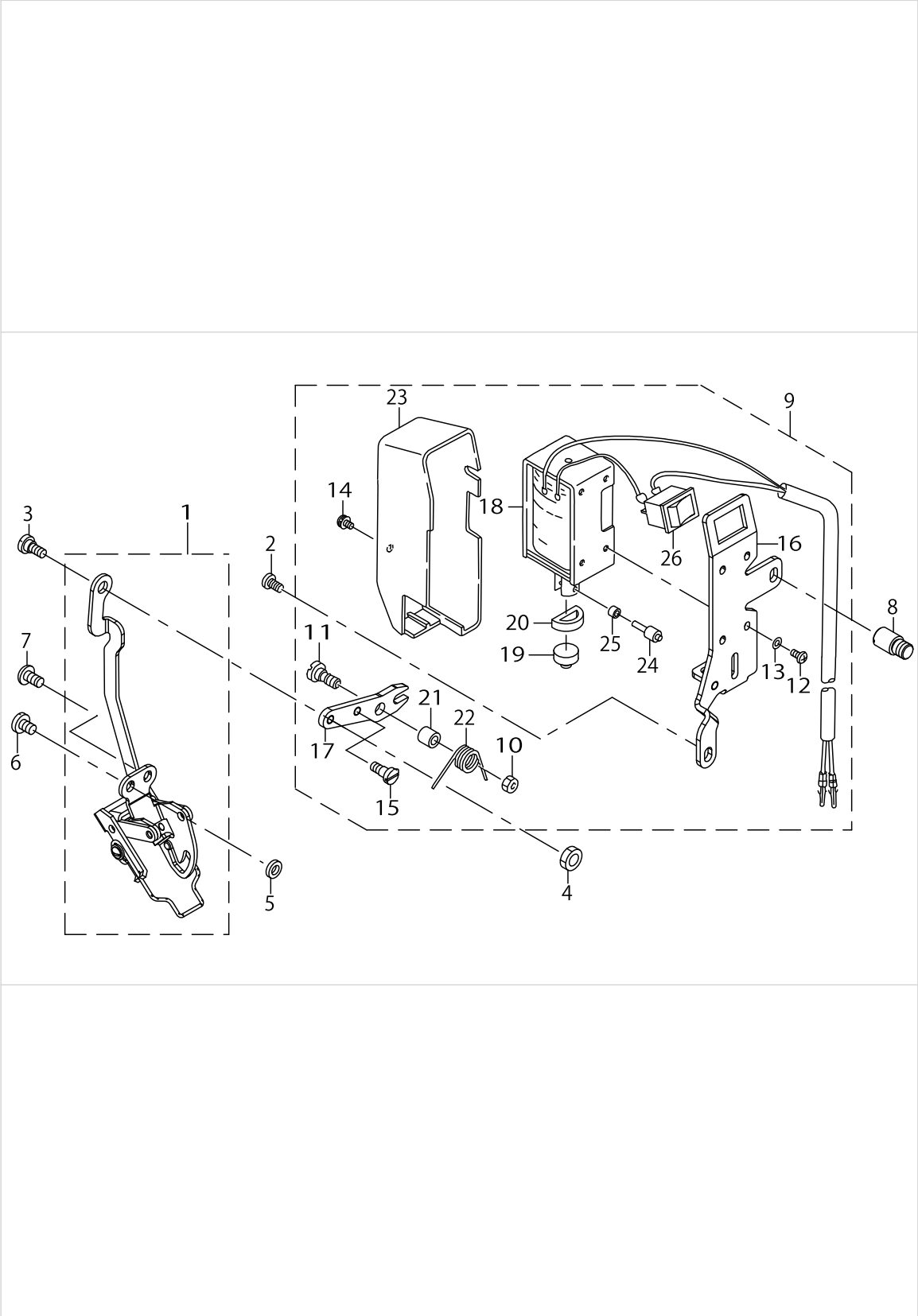
AUTOMATIC REVERSE FEED MECHANISM COMPONENTS



AUTOMATIC REVERSE FEED MECHANISM COMPONENTS

No.	Supply Code	Parts No.	Replacement	Parts name	Remarks	Choice	Step	Level	Cons	Qty	Rep. QTY
1		40108060		REVERSE FEED SOLENOID ASM.						1	
2		22544159		REVERSE FEED MAGNET LINK						1	
3		40125566		TOUCH_BACK_SWITCH_BASE ASM.						1	
4		D2468555B00		RUBBER PLUNGER						1	
5		40125568		SCREW						1	
6		SS4150915SP		SCREW 15/64-28 L=9						2	
7		RE0400000K0		E-RING 4						2	
8		RE1200000K0		E-RING 12						1	
9		WP1602616SZ		WASHER 16X24X2.6						1	
10		SD0791503SP		HINGE SCREW D=7.94 H=15						1	
11		NS6150310SP		NUT 15/64-28						1	
12		SS4120615SP		SCREW 3/16-28 L=6						2	
13	R	11101003	22953509	PLUNGER ARM PIN						1	1.00
14		11529914		WASHER						2	

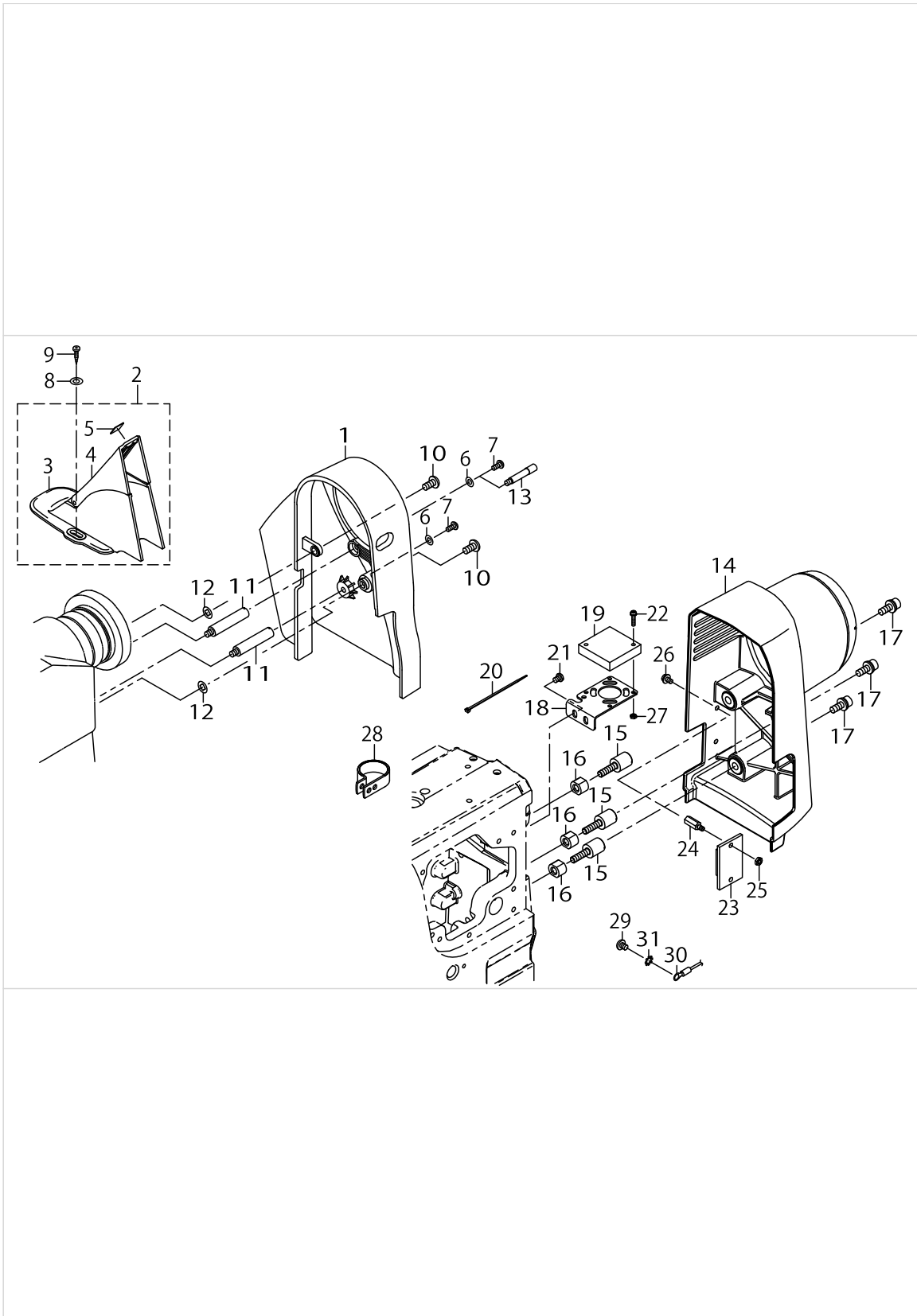
WIPER MECHANISM COMPONENTS



WIPER MECHANISM COMPONENTS

No.	Supply Code	Parts No.	Replacement	Parts name	Remarks	Choice	Step	Level	Cons	Qty	Rep. QTY
1		40125649		WIPER ASM.						1	
2		SS4120615SP		SCREW 3/16-28 L=6						2	
3		SD0600271SP		HINGE SCREW D=6 H=2.7						1	
4		NS6110310SP		NUT 11/64-40						1	
5		40021606		WASHER(B)						1	
6		SS7120710SP		SCREW 3/16-28 L=7						1	
7		SS4120915SP		SCREW 3/16-28 L=9						1	
8		40125647		STUD						1	
9		40125648		SOLENOID ASM.						1	
10		NS6110310SP		NUT 11/64-40				*		1	
11		SD0650321TP		HINGE SCREW D=6.5 H=3.2				*		1	
12		SM4030601SN		SCREW M3X6				*		4	
13		WS0310002KP		SPRING WASHER				*		4	
14		SL4030631SC		SCREW M3X6				*		1	
15		SD0500481TP		HINGE SCREW D=5 H=4.8				*		1	
16		40125645		WIPER BASE				*		1	
17		22562201		WIPER LINK				*		1	
18		40106936		WIPER SOLENOID ASM.				*		1	
19		22955900		WIPER RUBBER A				*		1	
20		22956007		WIPER RUBBER B				*		1	
21		22956205		WIPER HINGE SCREW COLLAR				*		1	
22		22956304		WIPER SPRING				*		1	
23		22955504		WIPER COVER				*		1	
24		22957104		WIPER SOLENOID SHAFT				*		1	
25		22957203		WIPER LINK COLLAR				*		1	
26		HA00600000A		SWITCH				*		1	

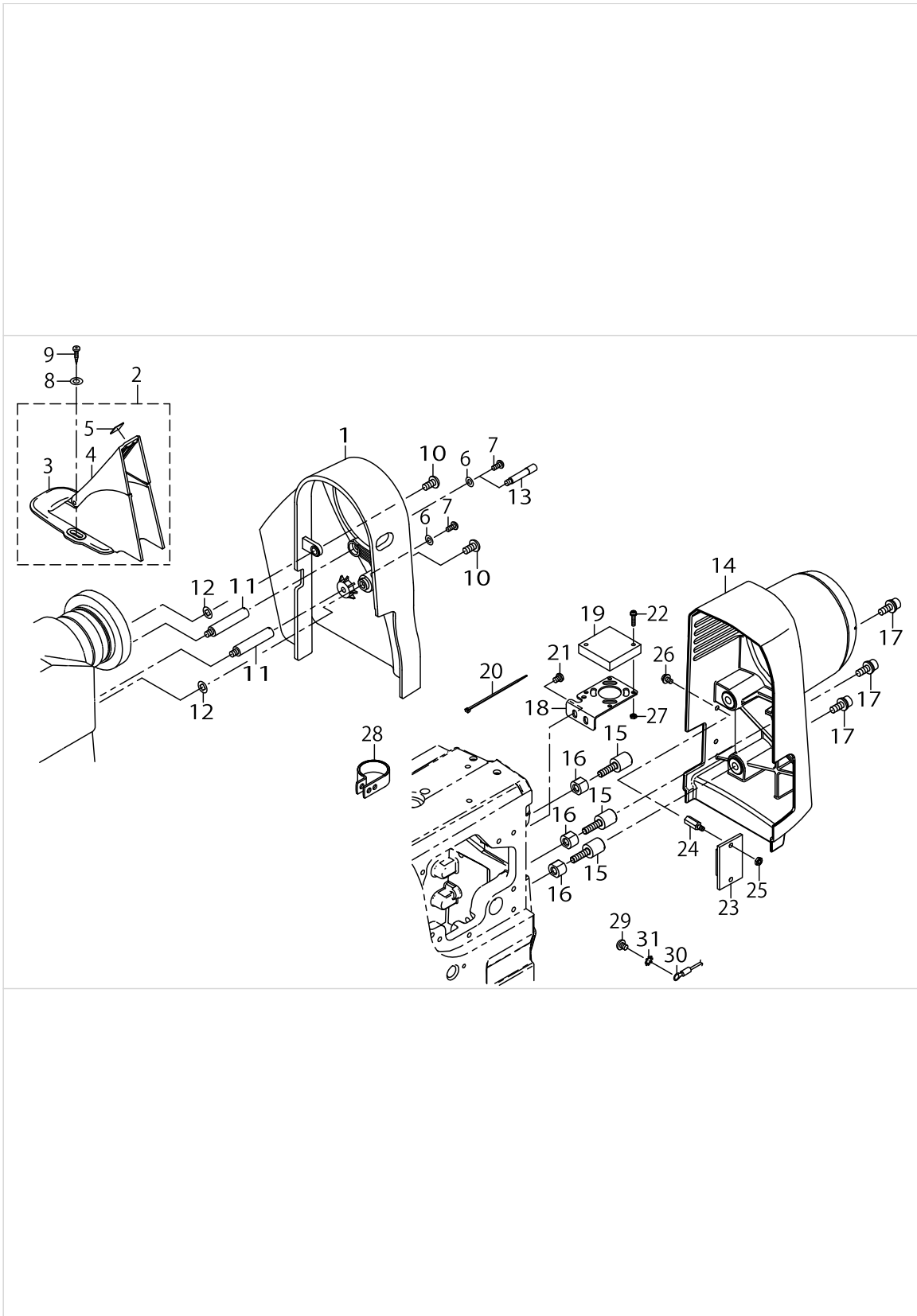
COVER COMPONENTS



COVER COMPONENTS

No.	Supply Code	Parts No.	Replacement	Parts name	Remarks	Choice	Step	Level	Cons	Qty	Rep. QTY
1	R	26319400	40038990	BELT COVER A						1	1.00
2	R	26319558	40038990	BELT COVER B COMPL.						1	1.00
3	R	26319509	40038990	BELT COVER B				*		1	1.00
4	R	26319608	40038990	BELT COVER C				*		1	1.00
5	R	26319806	40038990	VIBROISOLATING RUBBER				*		1	1.00
6		WP0450801SD		WASHER 4.5X10X0.8						2	
7		SS4110915SP		SCREW 11/64-40 L=9						2	
8		WP0450826SC		WASHER 4.5X10X0.8						2	
9		SK3412001SE		WOOD SCREW D=4.1 L=20						2	
10		SS4151215SP		SCREW 15/64-28 L=12						2	
11		40101337		BELT COVER SUPPORT STUD						2	
12		22535603		WASHER						2	
13		22535454		SYNCHRONIZER SUPPORT ASM.	SPECIAL ORDER PARTS					1	
14		40125440		MOTOR_COVER	FOR LZ-22-84A*0B,LZ-2284AT00, LZ-2284AT					1	
15		40091183		STUD_A	FOR LZ-22-84A*0B,LZ-2284AT00, LZ-2284AT					3	
16		40091184		STUD_B	FOR LZ-22-84A*0B,LZ-2284AT00, LZ-2284AT					3	
17		SL6061692TN		BOLT	FOR LZ-22-84A*0B,LZ-2284AT00, LZ-2284AT					3	
18		40125464		FAN_BASE	FOR LZ-22-84A*0B,LZ-2284AT00, LZ-2284AT					1	
19		40064283		HOOK FAN MOTOR ASSY	FOR LZ-22-84A*0B,LZ-2284AT00, LZ-2284AT					1	
20		EA9500B0100		CABLE BAND						1	
21		SS4120615SP		SCREW 3/16-28 L=6	FOR LZ-22-84A*0B,LZ-2284AT00, LZ-2284AT					2	
22		SL4031681SC		SCREW M3X16	FOR LZ-22-84A*0B,LZ-2284AT00, LZ-2284AT					2	
23		40125660		SENSOR PCB ASSY	FOR LZ-22-84A*0B,LZ-2284AT00, LZ-2284AT					1	
24		E3724715000		VCS STUD_A	FOR LZ-22-84A*0B,LZ-2284AT00, LZ-2284AT					2	
25		NM6040003SC		NUT M4	FOR LZ-22-84A*0B,LZ-2284AT00, LZ-2284AT					2	
26		SL4040891SC		SCREW M4 L=8	FOR LZ-22-84A*0B,LZ-2284AT00, LZ-2284AT					2	
27		NM6030003SC		NUT M3						2	

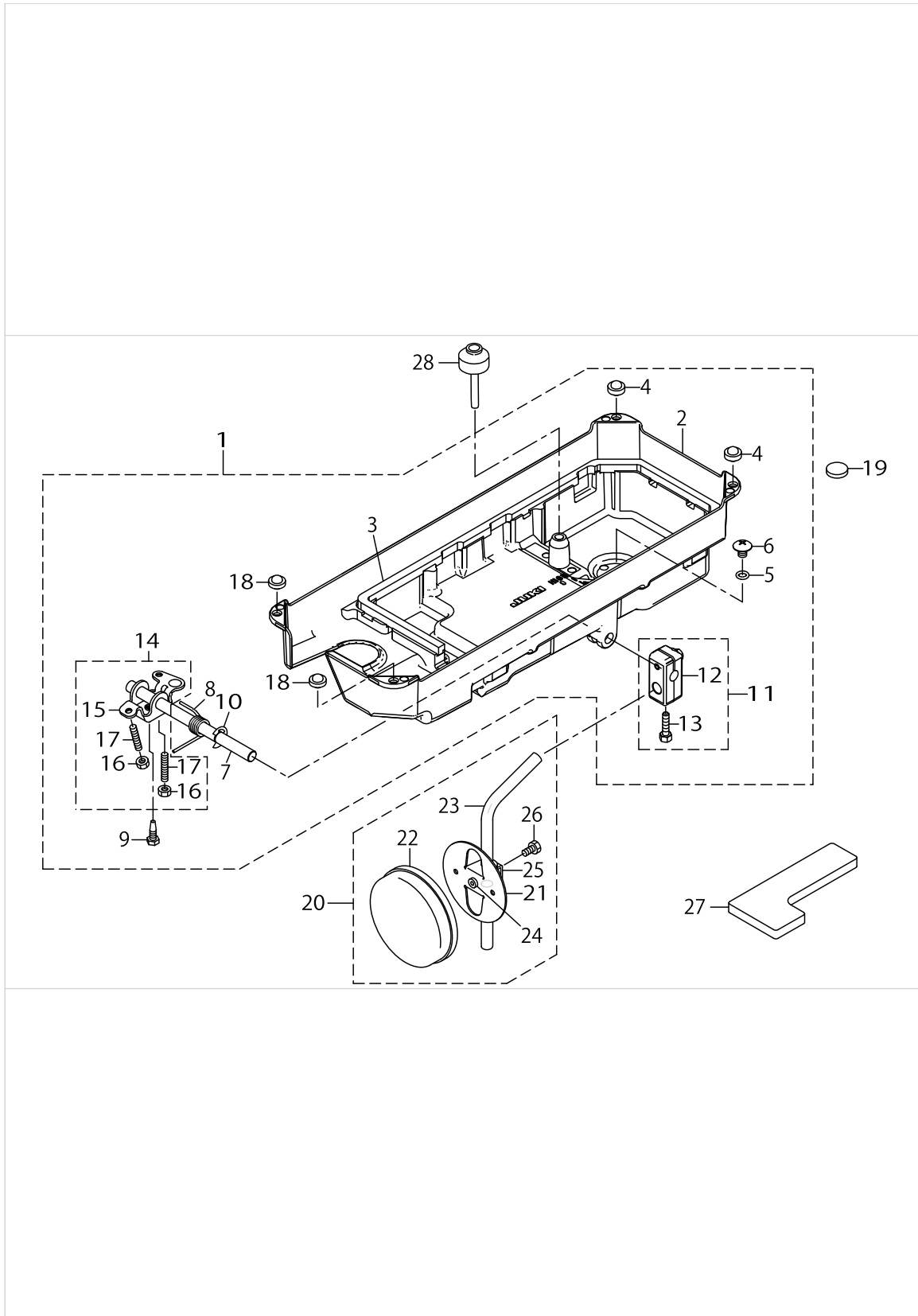
COVER COMPONENTS



COVER COMPONENTS

No.	Supply Code	Parts No.	Replacement	Parts name	Remarks	Choice	Step	Level	Cons	Qty	Rep. QTY
28	D	EA9502B0300		NYLON CRAMP						1	
29		SS4120615SP		SCREW 3/16-28 L=6						1	
30		22951552		GROUND WIRE ASM.						1	
31		WT0530002KS		TOOTHED WASHER D=5.3						1	

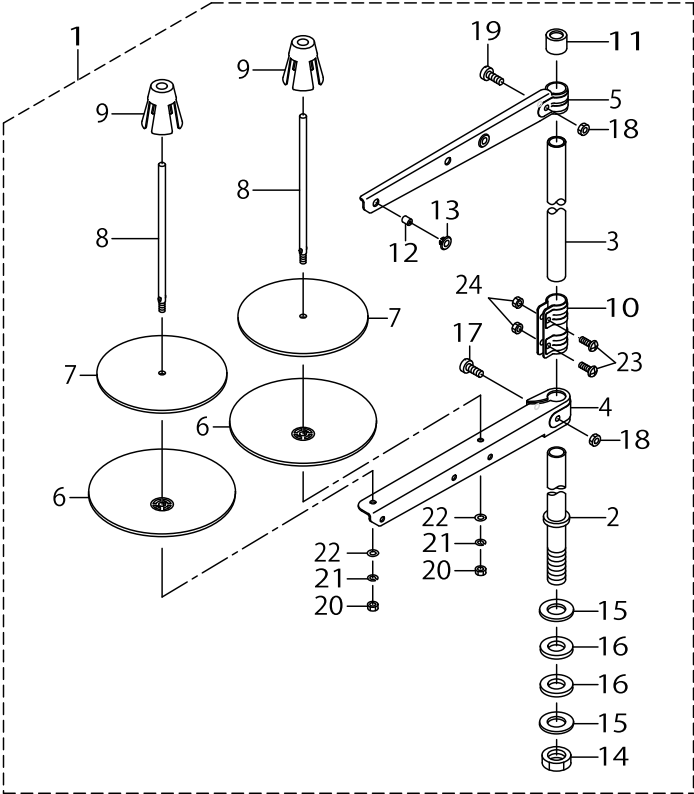
OIL RESERVOIR & KNEE LIFTER COMPONENTS



OIL RESERVOIR & KNEE LIFTER COMPONENTS

No.	Supply Code	Parts No.	Replacement	Parts name	Remarks	Choice	Step	Level	Cons	Qty	Rep. QTY
1		40125584		OIL RESERVOIR ASM.						1	
2	R	40125583	40125584	OIL RESERVOIR				*		1	1.00
3		40125586		OIL RESERVOIR GASKET				*		2	
4	R	22932008	11047107	RUBBER CUSHION				*		2	1.00
5		13170105		RUBBER RING				*		1	
6	R	13171004	SM0081001SD	DRAIN SCREW				*		1	1.00
7		22932305		KNEE PRESS CROSS SHAFT				*		1	
8		22932206		SPRING				*		1	
9		SM9061853SR		SCREW M6 L=17.5				*		1	
10		RE1000000K0		E-RING 10				*		1	
11		22932453		BRACKET ASM.				*		1	
12	R	22932404	22932453	BRACKET				*		1	1.00
13		22934707		SCREW				*		2	
14		22932156		KNEE LIFTER ROTATION ARM ASM.				*		1	
15	R	22932107	22932156	KNEE LIFTING ROTATING ARM				*		1	1.00
16		NM6060001SE		NUT M6				*		2	
17		SM8063012TR		SCREW M6 L=30				*		2	
18		10162600		RUBBER CUSHION				*		2	
19		B8228125000		OIL RESERVOIR MAGNET						1	
20		22934251		KNEE PAD PLATE ASM.						1	
21		22934202		KNEE PAD PLATE				*		1	
22		22934509		KNEE PAD PLATE COVER				*		1	
23		22934608		KNEE PAD UPRIGHT SHAFT				*		1	
24		22934400		KNEE PAD PLATE RUBBER				*		1	
25		22934301		KNEE PAD PLATE SUPPORT				*		1	
26		SM9061203SE		SCREW M6 L=12				*		1	
27		22534101		OIL RESERVOIR BASE						1	
28		B3421555000		KNEE PRESS LIFTER ROD						1	

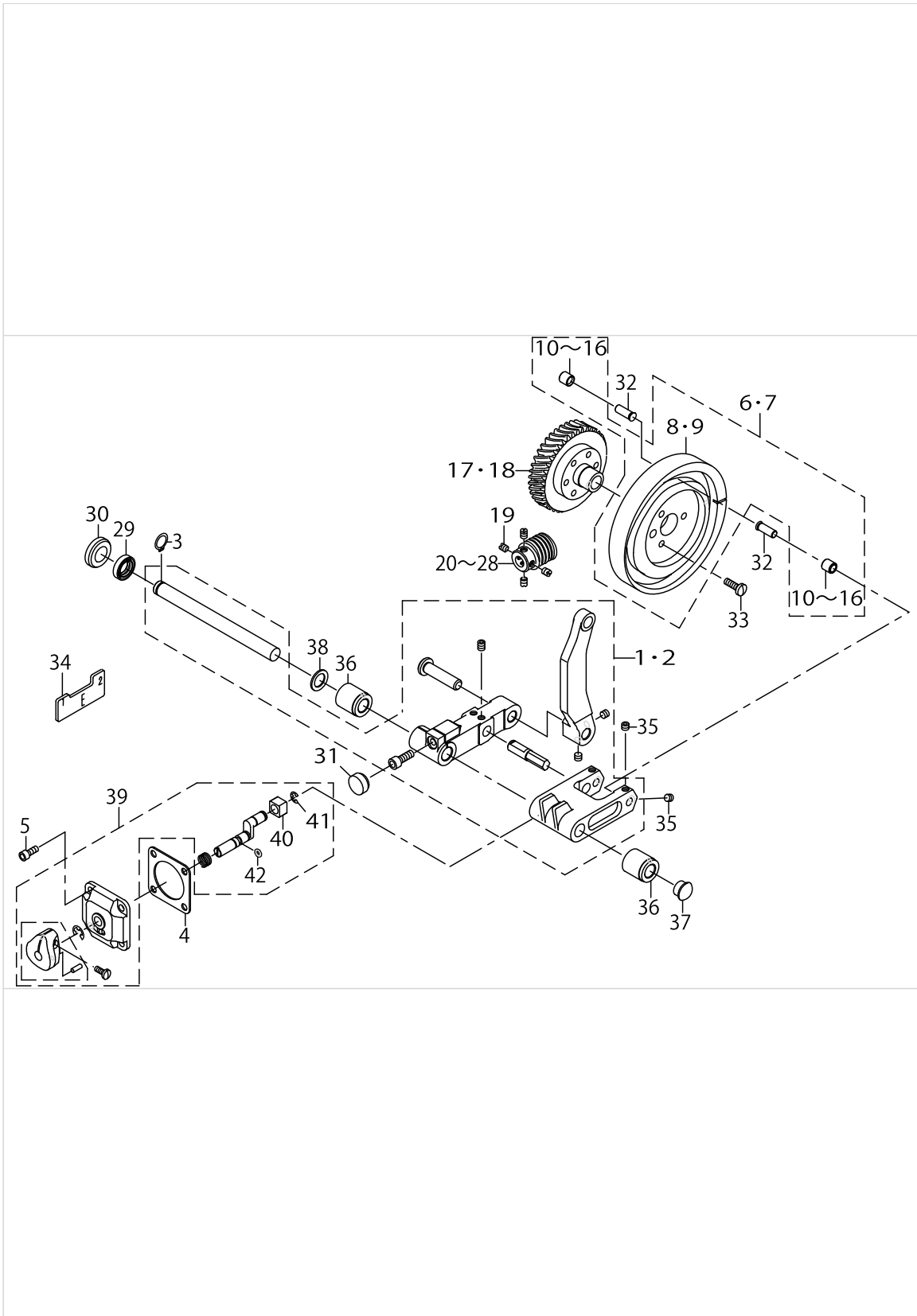
THREAD STAND COMPONENTS



THREAD STAND COMPONENTS

No.	Supply Code	Parts No.	Replacement	Parts name	Remarks	Choice	Step	Level	Cons	Qty	Rep. QTY
1		40096354		THREAD STAND ASM.						1	
2		40085784		SPOOL REST ROD LOWER				*		1	
3		40085785		SPOOL REST ROD UPPER				*		1	
4		40085786		SPOOL REST ARM LOWER				*		1	
5		40085787		SPOOL REST ARM UPPER				*		1	
6		40085788		SPOOL REST				*		2	
7		40085789		SPOOL REST CUSHION				*		2	
8		40085790		SPOOL PIN				*		2	
9		40085791		SPOOL RETAINER				*		2	
10		40085792		SPOOL REST ROD JOINT				*		1	
11		40085793		SPOOL REST ROD RUBBER CAP				*		1	
12		40085794		THREAD GUIDE				*		2	
13		40085795		THREAD GUIDE BUSHING				*		2	
14		40096325		SPOOL REST ROD NUT				*		1	
15		WP1612616SE		WASHER 16X30X2.6				*		2	
16		40085796		SPOOL REST ROD RUBBER CUSHION				*		2	
17		40096326		SPOOL REST ARM LOWER SCREW				*		1	
18		NM6050001SE		NUT M5				*		2	
19	R	40096327	SM4053001SE	SPOOL REST ARM UPPER SCREW				*		1	1.00
20		NM6050001SE		NUT M5				*		2	
21		WS0510002KN		SPRING WASHER M5				*		2	
22		WP0531001SC		WASHER M5				*		2	
23		SM4051405SE		SCREW M5 L=14				*		2	
24		NM6050001SE		NUT M5				*		2	

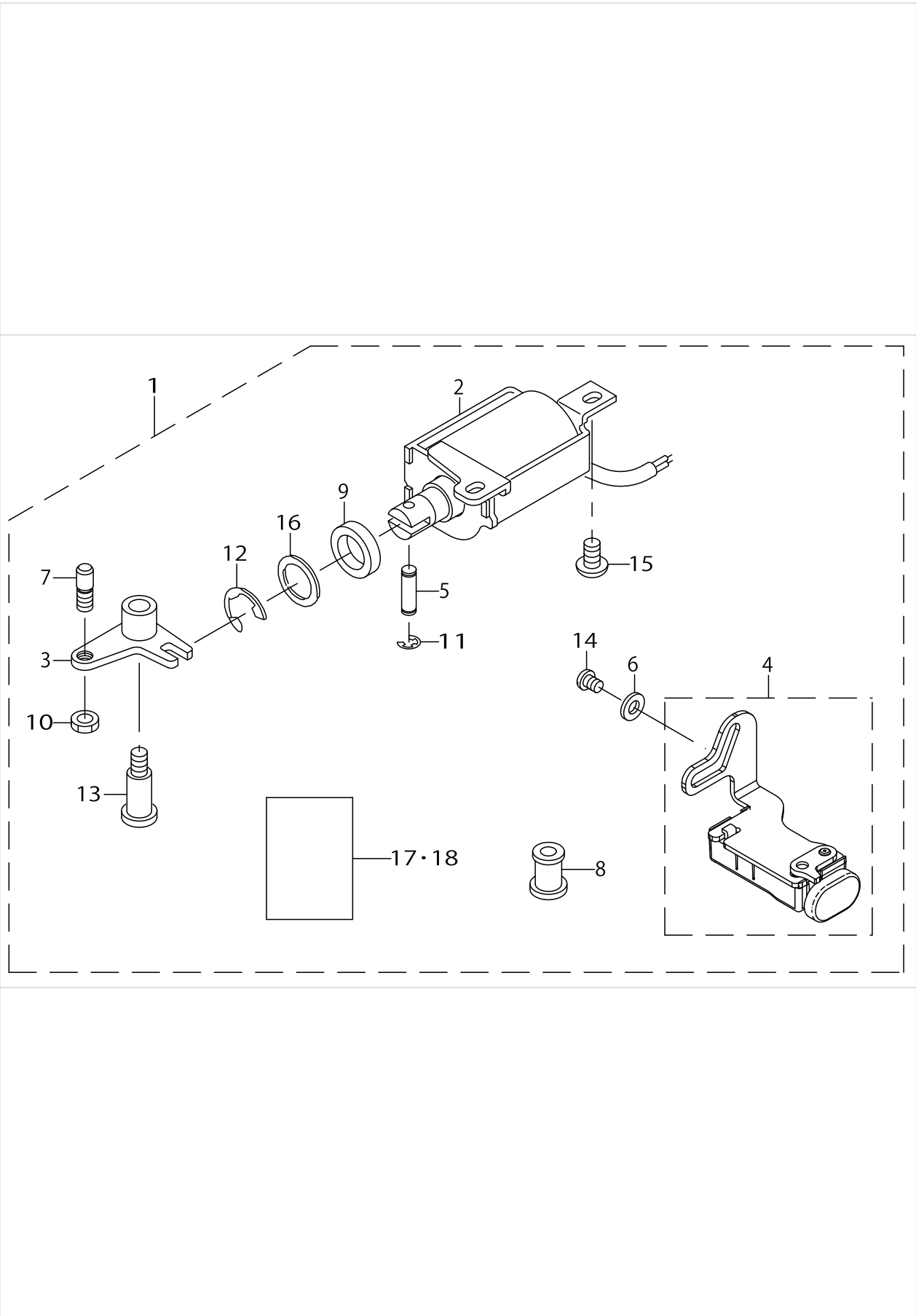
EXCLUSIVE PARTS FOR LZ-2284A(-7),LZ-2287A (1)



EXCLUSIVE PARTS FOR LZ-2284A(-7),LZ-2287A (1)

No.	Supply Code	Parts No.	Replacement	Parts name	Remarks	Choice	Step	Level	Cons	Qty	Rep. QTY
1		40125598		NEEDLE_DRIVING_ARM_ASM.	FOR LZ-2284A(-7)					1	
2		40125590		NEEDLE_DRIVING_ARM_ASM.	FOR LZ-2287A					1	
3		RC0100001KP		SNAP RING M10						1	
4		22501704		GASKET					☆	1	
5		SS6111052TP		SCREW						4	
6		40125626		NEEDLE_CAM_ASM_84						1	
7		40125627		NEEDLE_CAM_ASM_87	FOR LZ-2287A					1	
8		40125595		NEEDLE_CAM_6				*		1	
9		40125594		NEEDLE_CAM_24	FOR LZ-2287A			*		1	
10		40064313		NEEDLE CAM ROLLER A	SELECTIVE PARTS			*	☆	2	
11		40064314		NEEDLE CAM ROLLER B	SELECTIVE PARTS			*	☆	2	
12		40064315		NEEDLE CAM ROLLER C	SELECTIVE PARTS			*	☆	2	
13		40064316		NEEDLE CAM ROLLER D	SELECTIVE PARTS			*	☆	2	
14		40064317		NEEDLE CAM ROLLER E	SELECTIVE PARTS			*	☆	2	
15		40064319		NEEDLE CAM ROLLER F	SELECTIVE PARTS			*	☆	2	
16		40064320		NEEDLE CAM ROLLER G	SELECTIVE PARTS			*	☆	2	
17	R	22585657	40125633	WORM WHEEL COMPL.	FOR LZ-2284A(-7)					1	1.00
18		40125599		WORM_WHEEL_COMPL.	FOR LZ-2287A					1	
19		SS8660610TP		SCREW 1/4-40 L=6						4	
20		22527006		WORM A	FOR LZ-2284A(-7)					1	
21		22527105		WORM B	FOR LZ-2284A(-7)					1	
22		22527204		WORM C	FOR LZ-2284A(-7)					1	
23		22527303		WORM D	FOR LZ-2284A(-7)					1	
24		40125621		WORM_A	FOR LZ-2287A					1	
25		40125622		WORM_B	FOR LZ-2287A					1	
26		40125623		WORM_C	FOR LZ-2287A					1	
27		40125624		WORM_D	FOR LZ-2287A					1	
28		40125625		WORM_E	FOR LZ-2287A					1	
29		13338900		OIL SEAL					☆	1	
30		TA2200502R0		RUBBER PLUG					☆	1	
31		TA1470702R0		RUBBER PLUG					☆	1	
32		26313700		NEEDLE CAM ROLLER SHAFT					☆	2	
33		SS7111410TP		SCREW 11/64-40L=14						3	
34		22536502		TIMING GAUGE E						1	
35		SM8050412TP		SCREW M5 L=4						4	
36		12308300		METAL FRONT						2	
37		TA1100604R0		PLUG					☆	1	
38		B1637560000		WASHER						1	
39		40078331		CHANGE OVER BASIS ASM.						1	
40		40078335		CHANGE OVER BLOCK				*	☆	1	
41		RE0400000K0		E-RING 4				*	☆	1	
42		RO029180100		RUBBER RING				*	☆	1	

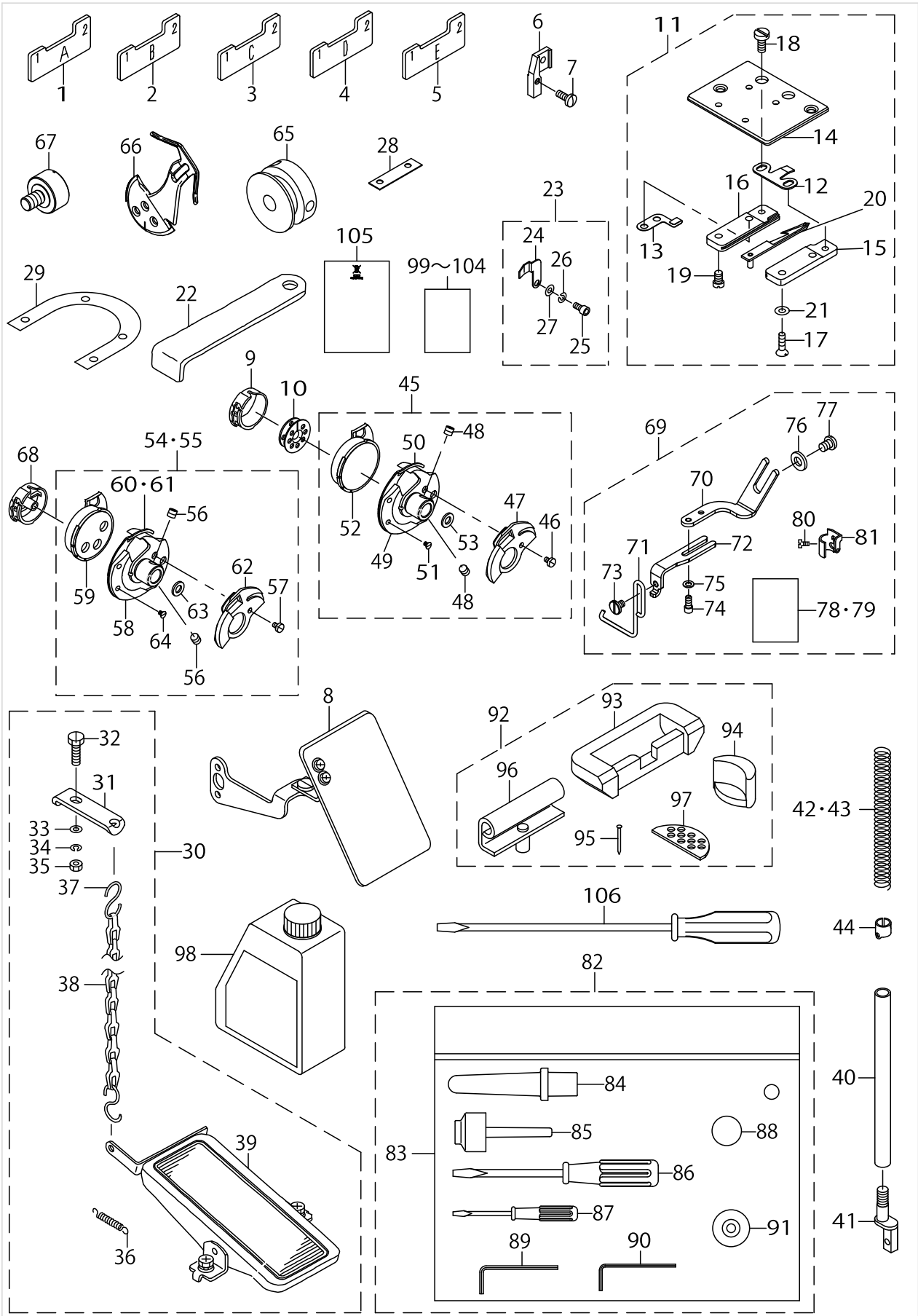
SPECIAL ORDER PARTS (1)



SPECIAL ORDER PARTS (1)

No.	Supply Code	Parts No.	Replacement	Parts name	Remarks	Choice	Step	Level	Cons	Qty	Rep. QTY
1		40135177		AUTOMATIC BACK MACHINE					☆	1	
2		40108060		REVERSE FEED SOLENOID ASM.				*		1	
3		22544159		REVERSE FEED MA- GNET LINK ASM.				*		1	
4		40125566		REVERSE FEED SWITCH ASM.				*		1	
5		22953509		REVERSE FEED PL- UNGER ARM PIN				*		1	
6		11529914		WASHER				*		2	
7		40125568		SCREW				*		1	
8		D2467555B00		RUBBER PLUG				*		1	
9		D2468555B00		RUBBER PLUNGER				*		1	
10		NS6150310SP		NUT 15/64-28				*		1	
11		RE040000K0		E-RING 4				*		2	
12		RE120000K0		E-RING 12				*		1	
13		SD0791503SP		HINGE SCREW D=7.94 H=15				*		1	
14		SS4120615SP		SCREW 3/16-28 L=6				*		2	
15		SS4150915SP		SCREW 15/64-28 L=9				*		2	
16		WP1602616SZ		WASHER 16X24X2.6				*		1	
17		40135185		INSTRUCTION MANUAL				*		1	
18		40153146		INSTRUCTION MANUAL				*		1	

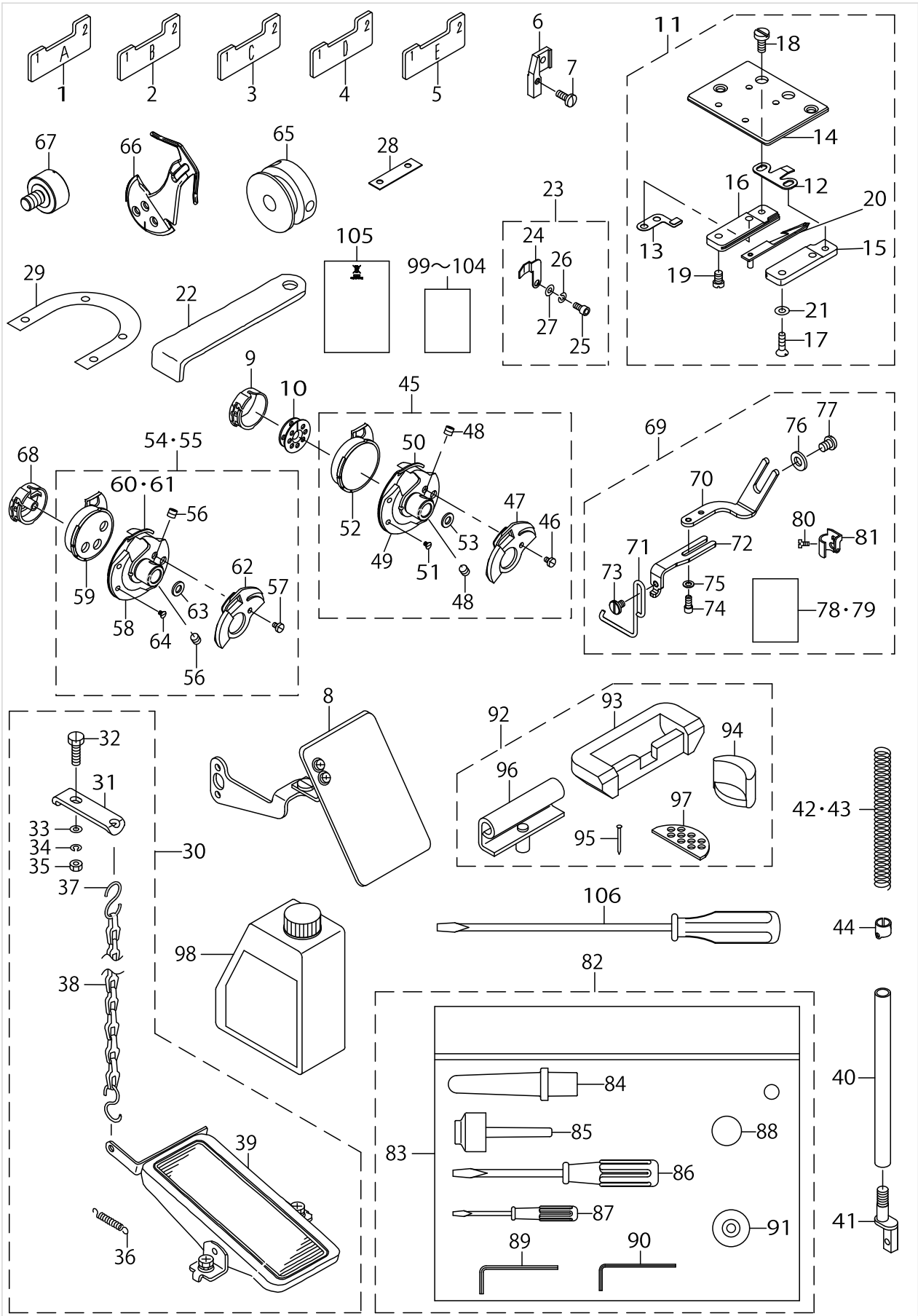
SPECIAL ORDER PARTS (2)



SPECIAL ORDER PARTS (2)

No.	Supply Code	Parts No.	Replacement	Parts name	Remarks	Choice	Step	Level	Cons	Qty	Rep. QTY
1	D	22535801		TIMING GAUGE						1	
2		22586705		TIMING GAUGE						1	
3	D	22535900		TIMING GAUGE RIGHT						1	
4		22536403		TIMING GAUGE D						1	
5		22536502		TIMING GAUGE E						1	
6		B1551586000		PRESSER FOOT JOINT					☆	1	
7		SS7090910TP		SCREW 9/64-40 L=8.5						1	
8		22503353		SAFETY PLATE ASM.						1	
9		23522550		NOT TURN BOBBIN CASE ASM.					☆	1	
10		23523004		NOT TURN BOBBIN					☆	1	
11		22556054		KNIFE UNIT						1	
12		22556302		FIXED KNIFE				*	☆	1	
13		22556450		CLAMP PLATE ASM.				*	☆	1	
14		22556609		SLIDING PLATE				*		1	
15		22556708		DRIVING BASE				*		1	
16		22556807		DRIVING BASE				*		1	
17		SS1090510SP		SCREW 9/64-40 L=5				*		2	
18		SS6090420SP		SCREW 9/64-40 L=4.0				*		2	
19		SS7090710SP		SCREW 9/64-40 L=6.8				*		2	
20		22556153		DRIVING KNIFE ASM.				*	☆	1	
21		WP0370316SD		WASHER 3.7X8X0.3				*		1	
22		B9101490000		DRIVER						1	
23		22525455		NEEDLE HOLDER ASM.						1	
24		22525406		NEEDLE GUARD				*		1	
25		SM6030602TP		SCREW M3X0.5 L=6				*		1	
26		WS0310702KS		SPRING WASHER				*		1	
27		WP0320500SC		WASHER M3				*		2	
28		10025906		SPACER						1	
29		22503908		SPACER						1	
30		GRF010000B0		RF-1 BACK STITCH DEVICE ASM.						1	
31	D	GRF01001000		PLATE				*		1	
32		SS9111510SP		SCREW 11/64-40 L=15				*		1	
33		WP0501016SD		WASHER 5X10.5X1				*		1	
34		WS0441040KP		SPRING WASHER 4.4X7.4X1				*		1	
35		NS6110420SP		NUT 11/64-40				*		1	
36	D	MAT80117S00		SPRING				*		1	
37	R	B8133019000	13160304	S SHAPED HOOK				*		2	1.00
38	R	B8131019000	26037903	CHAIN				*		1	1.00
39		11960853		PEDAL ASM.				*		1	
40		D1501583H00		PRESSER BAR						1	
41		D1502583H00		PRESSER BAR						1	
42	R	B150522700A	B150522700A	PRESSER SPRING		B	B:Japan		☆	1	1.00
42	R	B150522700A	11162104	PRESSER SPRING		C	C:自由選択- 品/C:Free choice parts		☆	1	1.00
42	R	B150522700A	22907406	PRESSER SPRING					☆	1	1.00
43		11162104		PRESSER SPRING					☆	1	

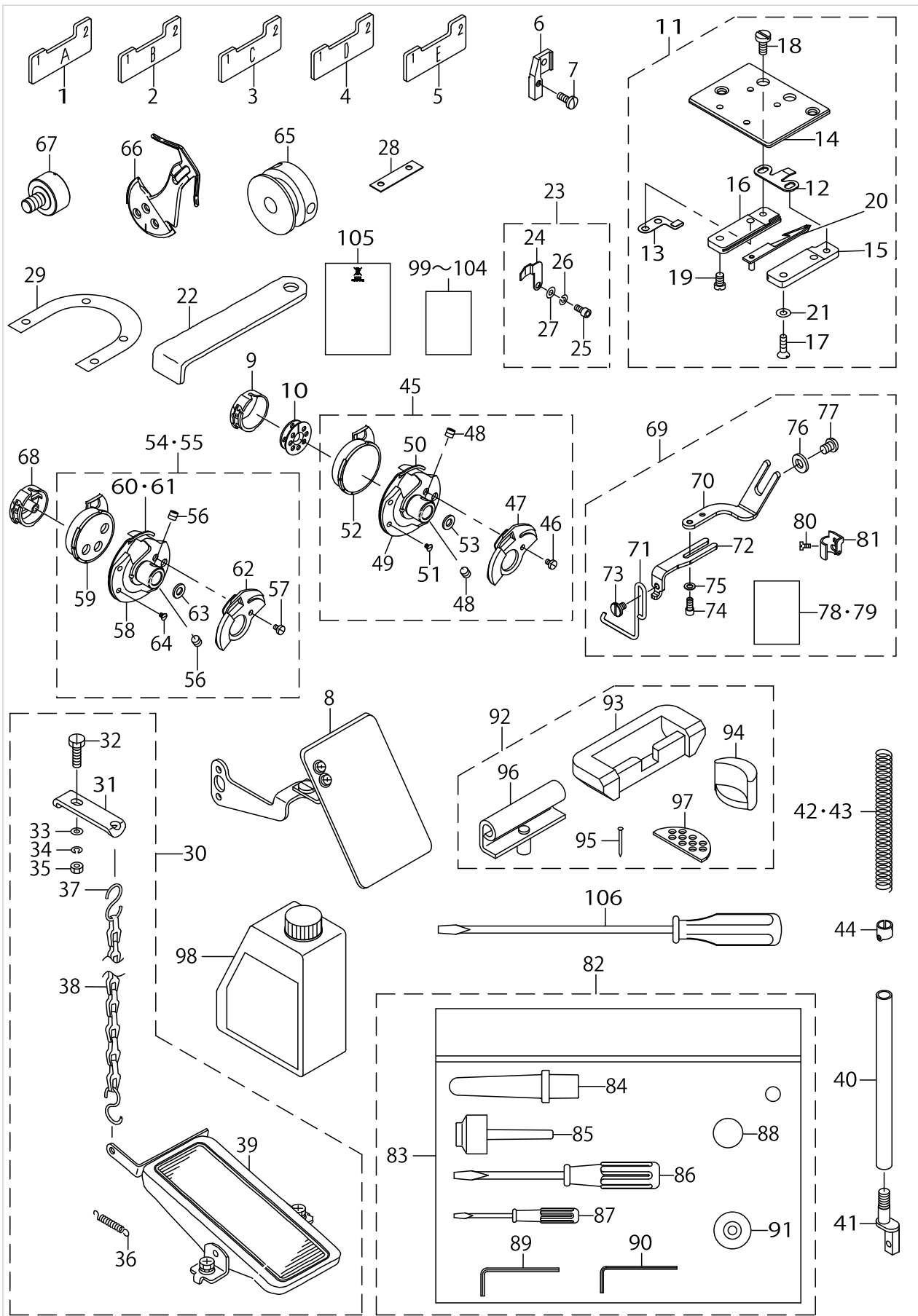
SPECIAL ORDER PARTS (2)



SPECIAL ORDER PARTS (2)

No.	Supply Code	Parts No.	Replacement	Parts name	Remarks	Choice	Step	Level	Cons	Qty	Rep. QTY
44		22507701		THRED RACK RIGHT					☆	1	
45		23523152		NOT TURN BOBBIN HOOK COMPL. V					☆	1	
46		10033108		HOOK COUNTER BALANCE SCREW				*		1	
47		22526206		REVERSE PLATE V				*		1	
48		SS8110422TP		SCREW 11/64-40 L=4				*		2	
49	R	22525919	22525968	OUTER HOOK V				*		1	1.00
50		23503501		INNER HOOK PRESSER V-S				*		1	
51		10033009		HOOK GIB SCREW				*		2	
52		23523202		NOT TURN BOBBIN INNER HOOK V				*		1	
53		10032902		HOOK OIL FELT WASHER				*		1	
54		23503659		HOOK COMPL. S	FOR INNER HOOK S				☆	1	
55		23502958		HOOK COMPL. K	FOR INNER HOOK K				☆	1	
56		23504301		OUTER HOOK SETSCREW S				*		2	
57		23504400		HOOK COUNTER B-ALANCE SCREW S				*		1	
58	R	23503709	23503659	OUTER HOOK S		A		*		1	1.00
58	R	23503709	23502958	OUTER HOOK S		B		*		1	1.00
59		23503808		INNER HOOK S				*		1	
60		23503907		INNER HOOK PRESSER S	FOR INNER HOOK S			*		1	
61		23503006		INNER HOOK PRESSER K	FOR INNER HOOK K			*		1	
62		23504004		BACK PLATE S				*		1	
63		23504202		HOOK OIL FELT WASHER S				*		1	
64		23504103		INNER HOOK PRESSER SETSCREW S				*		3	
65	D	22555403		THREAD CUTTING CAM						1	
66		22506109		BALANCE					☆	1	
67		40109125		STATOR_ADAPTER						1	
68		23504657		BOBBIN CASE WITH SPRING					☆	1	
69		40135178		SUPPORT BALANCE PART						1	
70		40125672		MOUNTING_BASE				*		1	
71		40125673		SUPPORT_BALANCE				*		1	
72		40125681		SUPPORT_BALANCE_BASE				*		1	
73		SS6090540SP		SCREW 9/64-40 L= 5.0				*		1	
74		SS6580752TP		SCREW 1/8-40 L=7				*		1	
75		WP03305000E		WASHER 3.3X6X0.5				*		1	
76		11529914		WASHER				*		2	
77		SS4120915SP		SCREW 3/16-28 L=9				*		2	
78		40135186		INSTRUCTION MANUAL				*		1	
79		40153147		INSTRUCTION MANUAL				*		1	
80		SS7060310SP		SCREW 3/32-56 L=3				*		1	
81		22507404		THREAD RACK				*		1	
82		40125682		ACCESSORIE BAG ASM(DD)						1	
83		22932800		ACCESSORIE BAG				*		1	
84		22931604		FRAME SUPPORT BAR				*		1	
85		B3421555000		KNEE PRESS LIFTER ROD				*		1	
86		22933105		SCREW DRIVER MIDDLE				*		1	

SPECIAL ORDER PARTS (2)



SPECIAL ORDER PARTS (2)

No.	Supply Code	Parts No.	Replacement	Parts name	Remarks	Choice	Step	Level	Cons	Qty	Rep. QTY
87		22933204		SCREW DRIVER SMALL				*		1	
88		B8228125000		OIL RESERVOIR MAGNET				*		1	
89		B9102057000		WRENCH (3/32)				*		1	
90		J106600000B		HEXAGONAL WRENCH KEY (2MM)				*		1	
91		22596704		BOBBIN S				*		1	
92		22926059		RUBBER HINGE WASHER ASM.						1	
93	R	22926000	22958052	RUBBER CUSHION				*		2	1.00
94	R	22926109	22926059	RUBBER SPACER				*		2	1.00
95	D	22926208		NAIL				*		8	
96	R	22926356	22958052	HINGE COMPL.				*		2	1.00
97	R	22926505	D8226555E00	WASHER				*		2	1.00
98	D R	40102087	MDFRX1600C0	JUKI_MACHINE_OIL_7						1	1.00
99		40135200		INSTRUCTION_MANUAL(AA)						1	
100		40135201		INSTRUCTION_MANUAL(BB)						1	
101		40135202		INSTRUCTION_MANUAL(GG)						1	
102		40135203		PARTS_LIST(AA)						1	
103		40135204		PARTS_LIST(GG)						1	
104		40135195		DECLARATION OF INFORMATION (GENERAL)						1	
105		CM600100201		WEEE INFORMATION SHEET						1	
106		22933006		SCREW DRIVER LARGE						1	

LIST FOR INFORMATION OF CHANGE (1)

As to the place changed, refer to the corresponding Rev.No.
 When previous parts(Obsoleted part)and new parts(Added parts)are
 not interchangeable with each other:
 In this case,even obsoleted parts(D.)can be ordered with the
 obsoleted part number,so select the parts with changed dates and
 place your orders.

変更箇所は、該当Rev.No.版をご参照ください。
 部品の互換性がない変更の場合は、削除された品番でも、ご注文できます。

40135203
 No.1632-02 Rev.No.

*A:Added parts追加部品/D:Obsoleted parts削除部品/E:Erratum訂正

* Rev. No.	Page 頁	Ref. No.	Parts No. 品番	* Rev. No.	Page 頁	Ref. No.	Parts No. 品番
D 01	2	14	110-43601	A 02	2	14	401-25710
D 01	2	24	225-36403				
D 01	2	40	SS-4120915-SP				
				A 02	2	40	SM-6061010-TP
D 01	2	61	SS-8110750-SP	A 02	2	61	SM-8050812-TP
				A 02	2	67	D2467-555-B00
				A 02	2	68	D2467-555-B00
				A 02	2	69	TA-1050504-R0
				A 02	2	70	TA-1050504-R0
				A 02	2	71	HX-0015000-0L
				A 02	2	72	SS-4120615-SP
				A 02	2	73	HX-0015000-0H
				A 02	4	6	225-48705
D 01	4	24	SM-4050501-SC	A 02	4	24	SM-0050801-SC
				A 02	4	35	401-50131
D 01	6	14	100-08506	A 02	6	14	133-12202
D 01	6	22	401-11872	A 02	6	22	401-25456
D 01	6	40	HX-0015000-0L				
D 01	6	41	SS-4121015-SP				
D 01	6	52	EA-9502B03-00				
				A 02	6	67	MC-1923007-50
				A 02	6	69	400-15494
D 01	7	20	225-42559	A 02	7	20	225-42500
D 01	7	21	225-10002				
D 01	10	15	SD-0600346-TP	A 02	10	15	B3416-552-000
D 01	10	23	401-25472				
D 01	10	29	SD-0600346-TP	A 02	10	29	401-25666
				A 02	10	38	401-25475
				A 02	10	45	100-22606
				A 02	10	46	NS-6620310-SP
				A 02	10	47	B3416-555-000
				A 02	10	48	RE-0500000-K0
				A 02	10	49	401-42886
				A 02	12	7	225-81508
				A 02	12	8	225-48804
D 01	12	11	229-40654	A 02	12	11	229-40605

HOW TO MAKE USE OF THIS PARTS LIST

1.Explanation of codes

1)"*"mark.....means this part is changed from the previous parts book.

As to the details of the change, refer to the "List for information of change".

2)"#01".....refer to "Note" explanation at bottom of page.

2.Codes on the "Qty" column

- Each numeral indicates the number of parts required.
- "0.1" and "2.5" indicate the length (in meters) of the respective parts.

3.Parentheses mean that the corresponding part is a subpart that constructs an assembly part.

4.Dotted lines on the Figures indicate assembly parts.

5.As to the parts with marks of "☆"(consumable parts) and "◎"(optional parts)on the respective parts, it is recommended to prepare spares.

1 ."注記"欄の記号説明

1) "*"印.....前回のパーツブックに比較して今回変更された部品を意味します。

変更内容は、"変更情報リスト"を参照してください。

2) "#01".....ページ下の"注記"の説明を参照してください。

2.数量欄の数字は、個数を表し、0.1、2.5等の数値は、長さ（単位メートル）を表します。

3.数量欄の（ ）は、組部品を構成している子部品であることを意味します。

4.イラストページの-----枠は、組構成であることを意味します。

5.リストページの"☆"（消耗部品）、"◎"（オプション部品）の印がついた部品は、予備を準備しておくことをお奨めします。

NUMERICAL INDEX OF PARTS

PART NO	PAGE	REF NO.	PART NO	PAGE	REF NO.	PART NO	PAGE	REF NO.
10001709	2	17	10037406	6	12	22512362	16	8~10
10006005	4	55	10045052	18	1	22519201	26	17
10008753	8	16	10162600	48	18	22519607	22	2
10011005	14	25~29	11002508	8	12	22519805	26	7·8
10011104	14	25~29	11015906	28	18	22525406	56	24
10011203	14	25~29	11101003	40	13	22525455	56	23
10011302	14	25~29	11162104	56	42·43	22525877	28	1·35
10012201	14	30	11234408	38	17	22525919	58	49
10012417	14	31	11529914	40	14	22526206	58	47
10012516	14	32	11529914	54	6	22527006	52	20~28
10012607	14	9~12	11529914	58	76	22527105	52	20~28
10012706	14	9~12	11960853	56	39	22527204	52	20~28
10012805	14	9~12	12308300	52	36	22527303	52	20~28
10012904	14	9~12	13170105	48	5	22528152	4	51
10013407	10	60	13171004	48	6	22528509	4	54
10014009	14	25~29	13312202	8	14	22528616	2	39
10015105	16	21	13338900	52	29	22534101	48	27
10017705	16	17	13729702	28	37	22535454	44	13
10022606	18	45	19800903	28	39	22535603	44	12
10025906	56	28	19801000	28	40	22535801	56	1
10026706	22	26	19801109	28	42	22535900	56	3
10026763	22	24	19801208	28	43	22536403	56	4
10026904	22	37	19801307	28	41	22536502	52	34
10027407	24	48	19801406	28	44	22536502	56	5
10027506	24	47	19801505	30	45	22538706	6	33
10029304	22	17	19801604	30	46	22538854	6	28
10030104	28	23	22501704	52	4	22540207	26	7·8
10030211	28	33	22502108	2	8	22542500	14	20
10030310	28	20	22502504	4	21·64	22542708	4	25·62
10030401	28	21	22503353	56	8	22544159	40	2
10030609	28	24~27	22503908	56	29	22544159	54	3
10030708	28	24~27	22505200	8	3	22548010	6	4~6
10030807	28	24~27	22505705	8	17	22548119	22	5~8
10030906	28	24~27	22506109	58	66	22548671	18	2
10031003	28	34	22506208	10	64	22548705	6	4~6
10031615	28	5	22507404	58	81	22548804	22	5~8
10031714	28	6	22507701	10	40	22554158	34	1
10032001	6	36	22507701	58	44	22554505	34	3
10032902	58	53	22507818	10	68·69	22554802	34	6
10033009	58	51	22508006	10	46	22554901	34	7
10033108	58	46	22509756	14	1	22555007	34	8
10035004	32	9	22510101	14	22	22555106	34	9
10035111	32	8	22510200	14	23	22555205	34	10
10035301	32	6	22512156	16	16	22555304	34	11
10037307	6	23	22512313	16	11	22555403	58	65

NUMERICAL INDEX OF PARTS

PART NO	PAGE	REF NO.	PART NO	PAGE	REF NO.	PART NO	PAGE	REF NO.
22555551	36	55	22912109	26	27	22955900	42	19
22555858	34	30	22913008	10	44	22956007	38	3
22556054	56	11	22913008	22	33	22956007	42	20
22556153	56	20	22916506	28	17	22956205	42	21
22556302	56	12	22917058	32	20	22956304	38	4
22556450	56	13	22920102	18	35	22956304	42	22
22556609	56	14	22920409	2	10	22957104	38	5
22556708	56	15	22921407	4	57	22957104	42	24
22556807	56	16	22924609	32	28	22957203	38	6
22556906	36	56	22924708	2	20	22957203	42	25
22557003	36	57	22926000	60	93	22958300	2	21·64
22557458	34	12	22926059	60	92	23502958	58	54·55
22557557	34	15	22926109	60	94	23503006	58	60·61
22557706	34	16	22926208	60	95	23503402	28	7
22557805	34	17	22926356	60	96	23503501	58	50
22557904	34	18	22926505	60	97	23503659	58	54·55
22558001	34	21	22927206	8	23	23503709	58	58
22558100	34	22	22931604	58	84	23503808	58	59
22558159	34	20	22932008	48	4	23503907	58	60·61
22558209	34	19	22932107	48	15	23504004	58	62
22558308	34	13	22932156	48	14	23504103	58	64
22558407	34	14	22932206	48	8	23504202	58	63
22558506	36	54	22932305	48	7	23504301	58	56
22562201	42	17	22932404	48	12	23504400	58	57
22564959	38	20	22932453	48	11	23504657	58	68
22573257	16	5·6	22932800	58	83	23516206	2	25·62
22581508	22	5~8	22933006	60	106	23521404	16	23
22582407	6	4~6	22933105	58	86	23522550	56	9
22585657	52	17·18	22933204	60	87	23523004	56	10
22586705	56	2	22934202	48	21	23523152	58	45
22596704	28	32	22934251	48	20	23523202	58	52
22596704	60	91	22934301	48	25	23537814	2	6
22900401	2	18	22934400	48	24	23538309	4	52
22901805	6	11	22934509	48	22	23542418	36	58
22904106	22	21	22934608	48	23	23547557	4	49
22904155	8	32	22934707	48	13	23626005	4	58
22907109	18	19	22940605	22	11	23629504	32	29
22907406	18	18	22948558	36	59	23630007	32	31
22907703	18	8	22949002	36	60	26226407	26	23
22907802	18	20	22949101	36	52	26300103	6	7
22908156	18	11	22951552	46	30	26300202	8	13
22908305	18	13	22952501	26	24	26300301	8	15
22908701	18	22	22953509	54	5	26300400	10	47
22911903	26	9·10	22955504	42	23	26300608	14	18
22912000	26	26	22955900	38	2	26300962	10	58

NUMERICAL INDEX OF PARTS

PART NO	PAGE	REF NO.	PART NO	PAGE	REF NO.	PART NO	PAGE	REF NO.
26301002	14	33~36	40010289	24	55~58	40085792	50	10
26301101	14	33~36	40010295	34	5	40085793	50	11
26301200	14	33~36	40010305	28	30	40085794	50	12
26301309	14	33~36	40010319	22	45	40085795	50	13
26301408	10	61	40012129	2	19	40085796	50	16
26302000	26	9·10	40015494	10	68·69	40091183	44	15
26302307	14	8	40021606	42	5	40091184	44	16
26303107	22	12	40022407	4	44	40091212	6	30
26303404	24	46	40022407	38	19	40096325	50	14
26303503	24	49	40032271	24	53	40096326	50	17
26303602	26	14	40034920	6	26	40096327	50	19
26303701	24	51	40035589	6	13	40096354	50	1
26304402	8	18	40037008	6	31	40101337	44	11
26305102	2	7	40037359	18	17	40101461	32	7
26305300	2	9	40040372	8	10	40102087	60	98
26305409	2	34	40043912	24	50	40102261	6	10
26305904	10	45	40044872	8	7	40106079	34	4
26306001	10	59	40050457	24	52	40106936	42	18
26306803	16	18	40056375	14	7	40106939	38	7
26306951	16	12	40056754	26	1	40108060	40	1
26307157	16	5·6	40057195	26	11	40108060	54	2
26307405	14	3~6	40064283	44	19	40109125	58	67
26307504	14	3~6	40064313	52	10~16	40110979	10	36
26307603	14	3~6	40064314	52	10~16	40111025	8	34
26307702	14	3~6	40064315	52	10~16	40125430	2	11
26307850	18	9	40064316	52	10~16	40125431	2	3
26308205	26	3	40064317	52	10~16	40125433	2	4
26308353	26	4	40064319	52	10~16	40125434	6	1
26309104	22	1	40064320	52	10~16	40125435	6	2
26309351	24	60	40065490	14	2	40125438	2	13
26309609	28	28	40070259	32	19	40125439	16	1~3
26309708	28	29	40070261	32	4	40125440	44	14
26312405	26	2	40070531	18	5	40125442	2	2
26313700	52	32	40070532	10	43	40125444	2	1
26314401	26	18	40078331	52	39	40125445	16	1~3
26314757	6	8	40078335	52	40	40125450	8	1·9
26319400	44	1	40082351	10	42	40125451	8	2
26319509	44	3	40085784	50	2	40125453	8	6
26319558	44	2	40085785	50	3	40125455	8	11
26319608	44	4	40085786	50	4	40125456	8	22
26319806	44	5	40085787	50	5	40125458	12	70
40009373	32	12	40085788	50	6	40125459	12	71
40010286	24	55~58	40085789	50	7	40125460	8	1·9
40010287	24	55~58	40085790	50	8	40125463	10	38
40010288	24	55~58	40085791	50	9	40125464	44	18

NUMERICAL INDEX OF PARTS

PART NO	PAGE	REF NO.	PART NO	PAGE	REF NO.	PART NO	PAGE	REF NO.
40125465	8	33	40125595	52	8·9	40141101	4	53
40125469	18	16	40125598	52	1·2	40142886	20	49
40125470	18	10	40125599	52	17·18	40150131	6	35
40125471	18	14	40125621	52	20~28	40153146	54	17·18
40125473	18	39	40125622	52	20~28	40153147	58	78·79
40125474	18	30	40125623	52	20~28	40161000	28	1·35
40125475	18	38	40125624	52	20~28	A321600100A	6	27
40125476	18	43	40125625	52	20~28	B13071550A0	28	19
40125479	18	37	40125626	52	6·7	B13081550A0	28	31
40125481	22	3	40125627	52	6·7	B150522700A	56	42·43
40125483	24	61	40125628	16	1~3	B1521555000	18	21
40125484	22	5~8	40125637	4	43	B1551586000	56	6
40125485	22	9	40125645	42	16	B16085550A0	22	44
40125486	22	32	40125647	42	8	B1609804A00	22	38~42
40125487	22	36	40125648	42	9	B1609804B00	22	38~42
40125488	22	43	40125649	42	1	B1609804C00	22	38~42
40125490	22	34	40125651	4	48	B1609804D00	22	38~42
40125491	26	5·6	40125655	38	16	B1609804E00	22	38~42
40125492	26	5·6	40125660	44	23	B1637560000	52	38
40125500	28	2	40125662	18	41	B1646555000	24	54
40125501	28	3	40125663	18	36	B1810552000	8	19
40125502	28	4	40125666	18	29	B1905541A00	10	48~51
40125504	6	22	40125667	32	27	B1905541B00	10	48~51
40125505	6	21	40125668	16	8~10	B1905541C00	10	48~51
40125507	28	36	40125669	16	8~10	B1905541D00	10	48~51
40125508	28	38	40125672	58	70	B2508704000	26	25
40125511	32	1	40125673	58	71	B3121352000	4	56
40125513	32	21	40125674	2	37	B3416552000	18	15
40125515	32	2	40125681	58	72	B3416555000	20	47
40125516	32	33	40125682	58	82	B3421555000	48	28
40125531	34	2	40125685	4	60	B3421555000	58	85
40125550	38	1	40125699	32	3	B8131019000	56	38
40125551	38	8	40125710	2	14	B8133019000	56	37
40125554	38	9	40135177	54	1	B8228125000	48	19
40125555	38	10	40135178	58	69	B8228125000	60	88
40125559	38	21	40135185	54	17·18	B9101490000	56	22
40125566	40	3	40135186	58	78·79	B9102057000	60	89
40125566	54	4	40135195	60	99~104	BP30000010R	32	5
40125568	40	5	40135200	60	99~104	CM300200001	4	46
40125568	54	7	40135201	60	99~104	CM300200002	6	3
40125583	48	2	40135202	60	99~104	CM600100101	6	20
40125584	48	1	40135203	60	99~104	CM600100201	60	105
40125586	48	3	40135204	60	99~104	CQ202000000	10	63
40125590	52	1·2	40135266	32	11	CQ202000000	32	23
40125594	52	8·9	40138514	18	3	CS0640863SH	38	11

NUMERICAL INDEX OF PARTS

PART NO	PAGE	REF NO.	PART NO	PAGE	REF NO.	PART NO	PAGE	REF NO.
CS095101BSH	36	49	NS6110310SP	42	10	SD0600321SP	22	13
CS1031210SH	14	40	NS6110420SP	56	35	SD0600321SP	26	12
CS1031210SH	26	32	NS6120310SP	22	14	SD0640751SP	2	29
CS103121BSH	14	41	NS6120310SP	26	13	SD0650321TP	42	11
D1501583H00	56	40	NS6150310SP	34	42	SD0791503SP	34	41
D1502583H00	56	41	NS6150310SP	40	11	SD0791503SP	40	10
D2056772B0B	34	29	NS6150310SP	54	10	SD0791503SP	54	13
D2112555B00	4	45	NS6150430SP	34	38	SD0900701TP	24	62
D2467555B00	4	66-67	NS6620310SP	18	46	SK3412001SE	44	9
D2467555B00	36	53	NS6620310SP	20	46	SL4030631SC	42	14
D2467555B00	54	8	NS6680410SP	22	27	SL4030881SF	38	14
D2468555B00	26	21	RC0100001KP	14	19	SL4031681SC	44	22
D2468555B00	40	4	RC0100001KP	52	3	SL4040881SC	34	36
D2468555B00	54	9	RC0150001KP	22	23	SL4040891SC	44	26
D2515232D00	26	22	RE0300000K0	22	20	SL6051492TN	10	37
D3164555B00	18	6	RE0400000K0	34	45	SL6052592TN	8	35
E3724715000	44	24	RE0400000K0	40	7	SL6061692TN	44	17
EA9500B0100	4	65	RE0400000K0	52	41	SM0050801SC	6	24
EA9500B0100	32	22	RE0400000K0	54	11	SM0051001SC	6	32
EA9500B0100	34	31	RE0500000K0	18	48	SM1061601SC	10	39
EA9500B0100	44	20	RE0500000K0	20	48	SM4030601SN	42	12
EA9502B0300	46	28	RE0500000K0	34	40	SM4040655SP	6	14
GAK33041000	18	24	RE0500000KP	38	13	SM4051405SE	50	23
GAK33042000	18	25	RE0600000K0	34	43	SM6030602TP	56	25
GPR01015000	2	36	RE1000000K0	48	10	SM6052002TP	10	52
GRF010000B0	56	30	RE1200000K0	40	8	SM6061010TP	4	40
GRF01001000	56	31	RE1200000K0	54	12	SM8040502TP	16	15
HA00600000A	38	12	RO025100100	18	33	SM8050402TP	24	59
HA00600000A	42	26	RO029180100	8	20	SM8050412TP	52	35
HK00443002A	36	50	RO029180100	32	26	SM8050812TP	4	61
HX00150000H	4	72	RO029180100	52	42	SM8050812TP	14	14
HX00150000L	4	70	RO036080200	28	22	SM80608A2TP	8	25
J106600000B	60	90	RO037180100	18	27	SM8063012TR	48	17
MAB109000B0	18	4	RO044240100	8	27	SM9061203SE	48	26
MAT80117S00	56	36	RO048190100	8	28	SM9061853SR	48	9
MC192300750	10	66-67	RO069180100	14	39	SQ1110402MZ	32	32
MDP134B1000	10	66-67	RO074240100	26	29	SS1090510SP	34	27
NM6030001SB	34	35	RO118240100	4	59	SS1090510SP	56	17
NM6030003SC	44	27	RO195240100	4	42	SS1090930SP	8	31
NM6040003SC	44	25	RO437200200	10	65	SS1110840SP	2	27
NM6050001SD	6	34	SB109530100	28	12	SS2090710SP	2	33
NM6050001SE	50	24	SB120002700	8	4	SS2090810SP	6	17
NM6060001SE	48	16	SD0500481TP	42	15	SS2110920TP	14	24
NM6060003SE	18	31	SD0600271SP	42	3	SS2110920TP	34	46
NP210300000	34	25	SD0600291TP	34	34	SS2111010TP	36	47

NUMERICAL INDEX OF PARTS

PART NO	PAGE	REF NO.	PART NO	PAGE	REF NO.	PART NO	PAGE	REF NO.
SS4080620TP	22	35	SS6111210SP	18	44	SS8660610TP	52	19
SS4080620TP	28	15	SS6121610TP	22	28	SS8660810TP	14	17
SS4110515SP	32	10	SS6121610TP	26	15	SS8660810TP	22	25
SS4110615SP	6	18	SS6121840SP	26	28	SS8660810TP	28	14
SS4110615SP	10	54	SS6121860SP	26	16	SS8660970TP	14	38
SS4110615SP	32	25	SS6580752TP	22	16	SS8680730SP	10	41
SS4110615SP	36	51	SS6580752TP	58	74	SS9090610TP	14	15
SS4110715SP	18	42	SS6660710TP	22	22	SS9110620TP	38	23
SS4110715SP	32	14	SS6660710TP	28	9	SS9111510SP	56	32
SS4110915SP	2	32	SS6660710TP	36	48	TA0800504R0	2	22
SS4110915SP	6	25	SS7060310SP	10	57	TA0950806R0	6	19
SS4110915SP	10	56	SS7060310SP	34	24	TA1050504R0	2	68·69
SS4110915SP	28	16	SS7060310SP	58	80	TA1050504R0	4	68·69
SS4110915SP	32	34	SS7080410SP	2	28	TA1100604R0	2	16
SS4110915SP	34	39	SS7080520SP	10	53	TA1100604R0	52	37
SS4110915SP	44	7	SS7090410SP	2	15	TA1250705R0	2	63
SS4111015SP	6	15	SS7090610SP	34	44	TA1250705R0	4	63
SS4120615SP	2	71	SS7090710SP	56	19	TA1330405R0	2	5
SS4120615SP	4	71	SS7090910TP	16	19	TA1470702R0	52	31
SS4120615SP	26	20	SS7090910TP	18	26	TA2200502R0	52	30
SS4120615SP	40	12	SS7090910TP	56	7	WP0320500SC	56	27
SS4120615SP	42	2	SS7110540SP	38	15	WP03305000E	58	75
SS4120615SP	44	29	SS7110740TP	22	19	WP0370316SD	56	21
SS4120615SP	46	29	SS7110910TP	22	29	WP0371016SD	38	25
SS4120615SP	54	14	SS7111410TP	52	33	WP0371036SD	16	20
SS4120915SP	4	41	SS7120710SP	42	6	WP0450801SD	44	6
SS4120915SP	16	4	SS7121410TP	22	31	WP0450826SC	44	8
SS4120915SP	18	40	SS7121410TP	26	33	WP0480856SD	24	64
SS4120915SP	38	24	SS7620750SP	16	22	WP0501016SD	56	33
SS4120915SP	42	7	SS7620750SP	26	30	WP0531001SC	50	22
SS4120915SP	58	77	SS7681650TP	8	26	WP0621016SD	18	32
SS4121415SP	2	26	SS8090670SP	4	50	WP0621016SH	34	37
SS4150915SP	34	32	SS8110422TP	58	48	WP0651056SD	2	31
SS4150915SP	40	6	SS8120740SP	10	62	WP1021016SD	16	7
SS4150915SP	54	15	SS8150510TP	24	63	WP1221016SP	38	18
SS4151215SP	44	10	SS8150710SP	14	21	WP1602616SZ	40	9
SS5110710SP	22	30	SS8150710SP	28	10	WP1602616SZ	54	16
SS6080320SP	16	13	SS8150710SP	32	13	WP1612616SE	50	15
SS6090420SP	56	18	SS8150822TP	28	11	WS0270002KN	34	28
SS6090540SP	38	22	SS8151150SP	8	21	WS0310002KP	42	13
SS6090540SP	58	73	SS8151550SP	8	24	WS0310702KS	56	26
SS6111052TP	22	4	SS8660410SP	14	16	WS0441040KP	56	34
SS6111052TP	52	5	SS8660530TP	32	17	WS0510002KN	50	21
SS6111140SP	22	15	SS8660610TP	8	30	WT0530002KS	46	31
SS6111140SP	32	15	SS8660610TP	14	37	WZ0641510KP	2	30

NUMERICAL INDEX OF PARTS

PART NO	PAGE	REF NO.
WZ1052010KP	16	14