

MODEL : LK-1903B/BR35

List No : 1655-01

# PARTS LIST

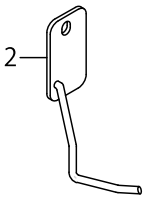
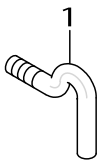
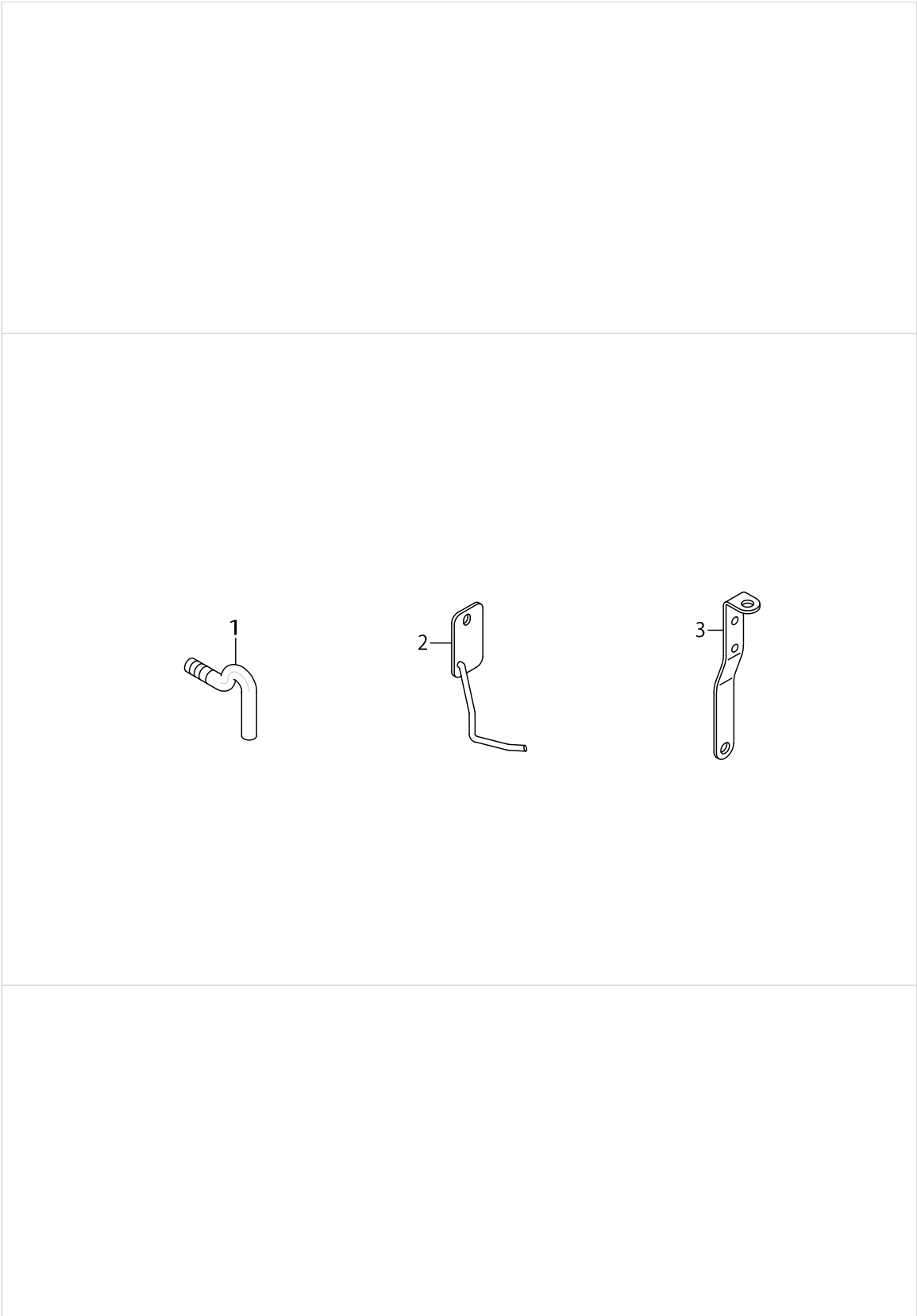
Published:05/12/2017

## CONTENTS

---

THREAD TENSION COMPONENTS .....	1
WIPER MECHANISM COMPONENTS .....	3
EXCLUSIVE PARTS FOR LK-1903BS-311,LK-1903BS-312 (1) .....	5
EXCLUSIVE PARTS FOR LK-1903BS-311,LK-1903BS-312 (2) .....	7
BUTTON CLAMP COMPONENTS.....	11
FINE POSITION OF BUTTONS COMPONENTS (1).....	15
FINE POSITION OF BUTTONS COMPONENTS (2).....	17
DRIVE CAM COMPONENTS.....	21
INDEX COMPONENTS (1) .....	23
INDEX COMPONENTS (2) .....	27
FEEDER BALL COMPONENTS .....	31
TABLE & COVER COMPONENTS .....	33
BR CONTROL BOX COMPONENTS (FOR USE IN JAPAN AND GENERAL EXPORT).....	37
BR CONTROL BOX COMPONENTS (FOR EUROPE) .....	41
BR POWER SUPPLY COMPONENTS.....	45
CONTROL BOX COMPONENTS .....	47
OPERATION PANEL COMPONENTS .....	51
WIRING DIAGRAM.....	53
BR35 WIRING DIAGRAM .....	55
ACCESSORIE PARTS COMPONENTS .....	57
LIST FOR INFORMATION OF CHANGE.....	59
HOW TO MAKE USE OF THIS PARTS LIST .....	60

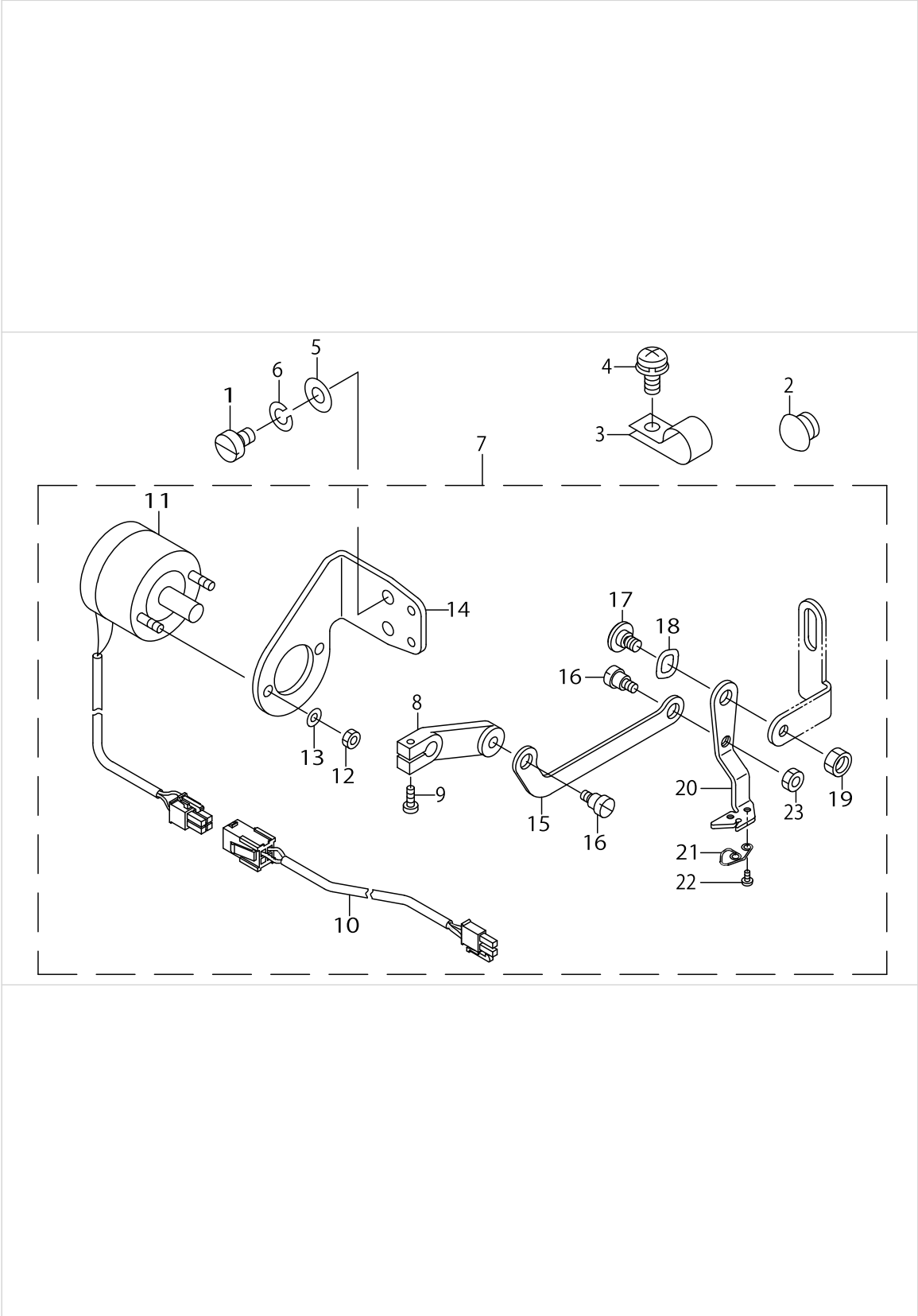
THREAD TENSION COMPONENTS



THREAD TENSION COMPONENTS

No.	Supply Code	Parts No.	Replacement	Parts name	Remarks	Choice	Step	Level	Cons	Qty	Rep. QTY
1		40013452		L SHAPED THREAD GUIDE B						1	
2		B55412050A0		THREADING GUIDE ASM.						1	
3		B1114581000		THREAD GUIDE PLATE						1	

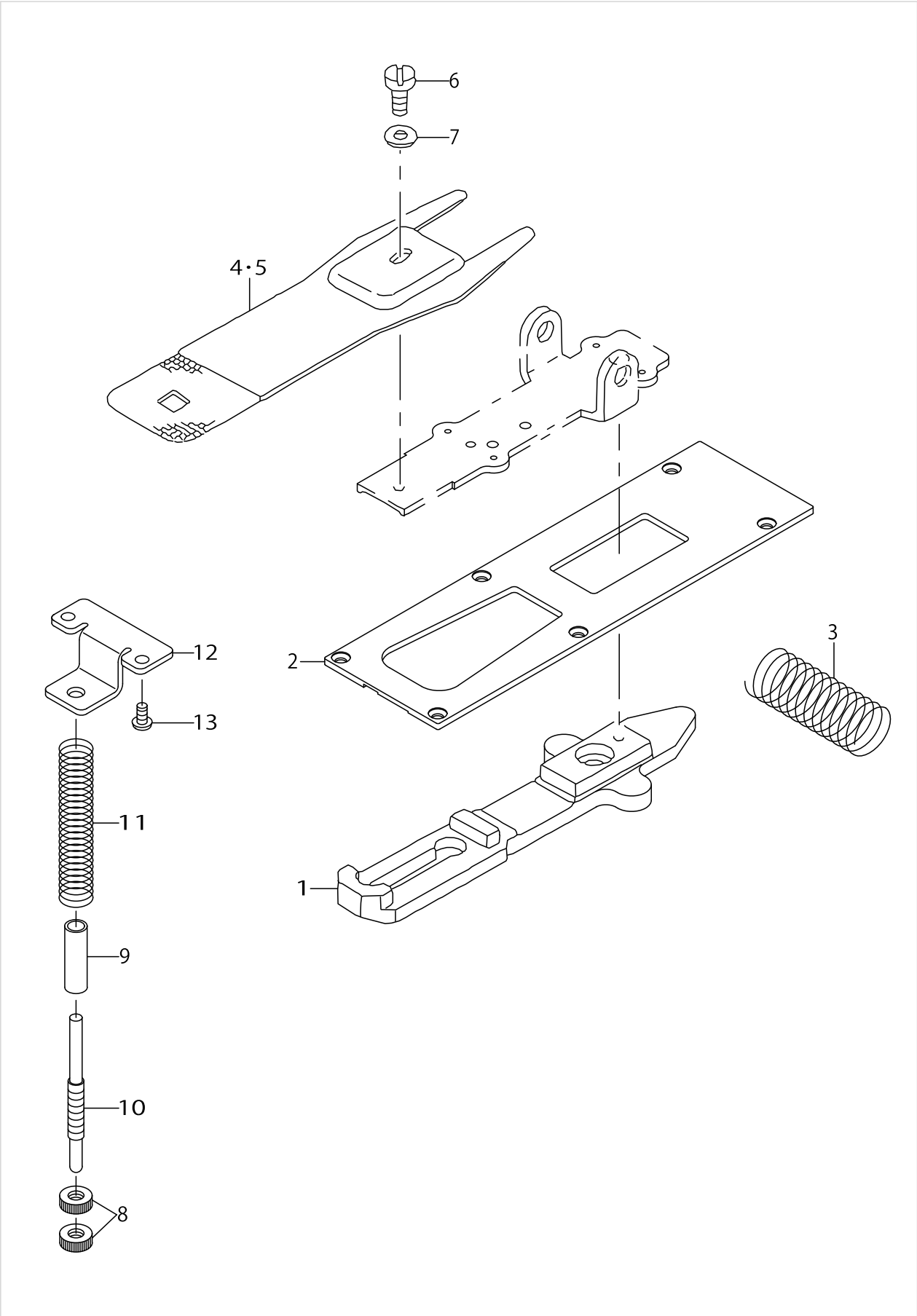
WIPER MECHANISM COMPONENTS



WIPER MECHANISM COMPONENTS

No.	Supply Code	Parts No.	Replacement	Parts name	Remarks	Choice	Step	Level	Cons	Qty	Rep. QTY
1		SM6040650TP		SCREW						2	
2		TA1250705R0		RUBBER PLUG						1	
3		HX00123000C		CABLE CLIP						4	
4		SL4041091SC		SCREW M4 L=10						4	
5		WP0450801SD		WASHER 4.5X10X0.8						2	
6		WS0451040KP		SPRING WASHER 4.5X8.5X1						2	
7		40018334		MAGNET WIPER ASM.						1	
8		B210220500A		WIPER ARM				*		1	
9		SS7111120TP		SCREW				*		1	
10		40018335		SOLENOID RELAY CABLE ASM.				*		1	
11		14147755		SOLENOID FOR WIPER ASM.				*		1	
12		NM6040003SC		NUT M4				*		2	
13	R	WS0410002KS	WS0410002KN	SPRING WASHER M4				*		2	1.00
14		13864509		SOLENOID FITTING PLATE				*		1	
15		14147607		WIPER LINK				*		1	
16		SD0600181TP		HINGE SCREW				*		2	
17		SD0640261SP		HINGE SCREW D=6.35 H=2.6				*		1	
18		WZ0640200KP		WAVE WASHER				*		1	
19		NS6120310SP		NUT 3/16-28				*		1	
20		40009859		WIPER				*		1	
21		14147805		SPRING				*		1	
22		SS7060310SP		SCREW 3/32-56 L=3				*		2	
23		NS6110310SP		NUT 11/64-40				*		1	

EXCLUSIVE PARTS FOR LK-1903BS-311,LK-1903BS-312 (1)

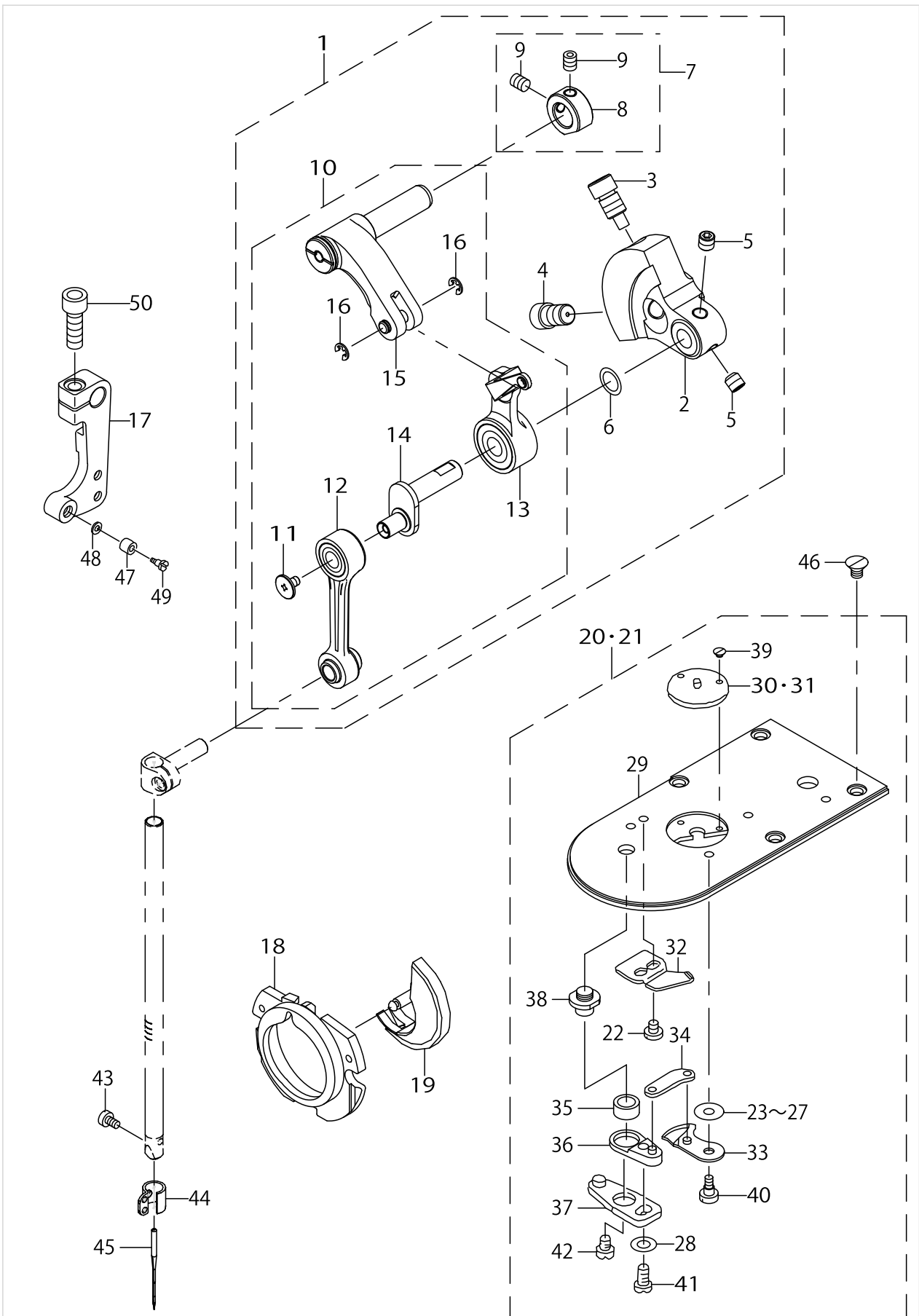


EXCLUSIVE PARTS FOR LK-1903BS-311,LK-1903BS-312 (1)

No.	Supply Code	Parts No.	Replacement	Parts name	Remarks	Choice	Step	Level	Cons	Qty	Rep. QTY
1		14145106		CLOTH FEED PLATE						1	
2		40006935		CLOTH FEED PRESSER PLATE B						1	
3		14148407		VERTICAL FEED SHAFT SPRING						1	
4		MAZ15502000		PRESSURE PLATE	FOR LK-19-03BS-311					1	
5		MAZ15602000		PRESSURE PLATE	FOR LK-19-03BS-312					1	
6		SS9110543CP		SCREW 11/64-40 L=5.3						1	
7		WP0501016SD		WASHER 5X10.5X1						1	
8		22928808		NUT						2	
9		D2527232D00		SLEEVE						1	
10		14146906		ADJUSTING SHAFT						1	
11		13812003		PRESSURE SPRING						1	
12		13811906		ACCEPT PLATE UPPER						1	
13		SM5040855SN		SCREW						2	



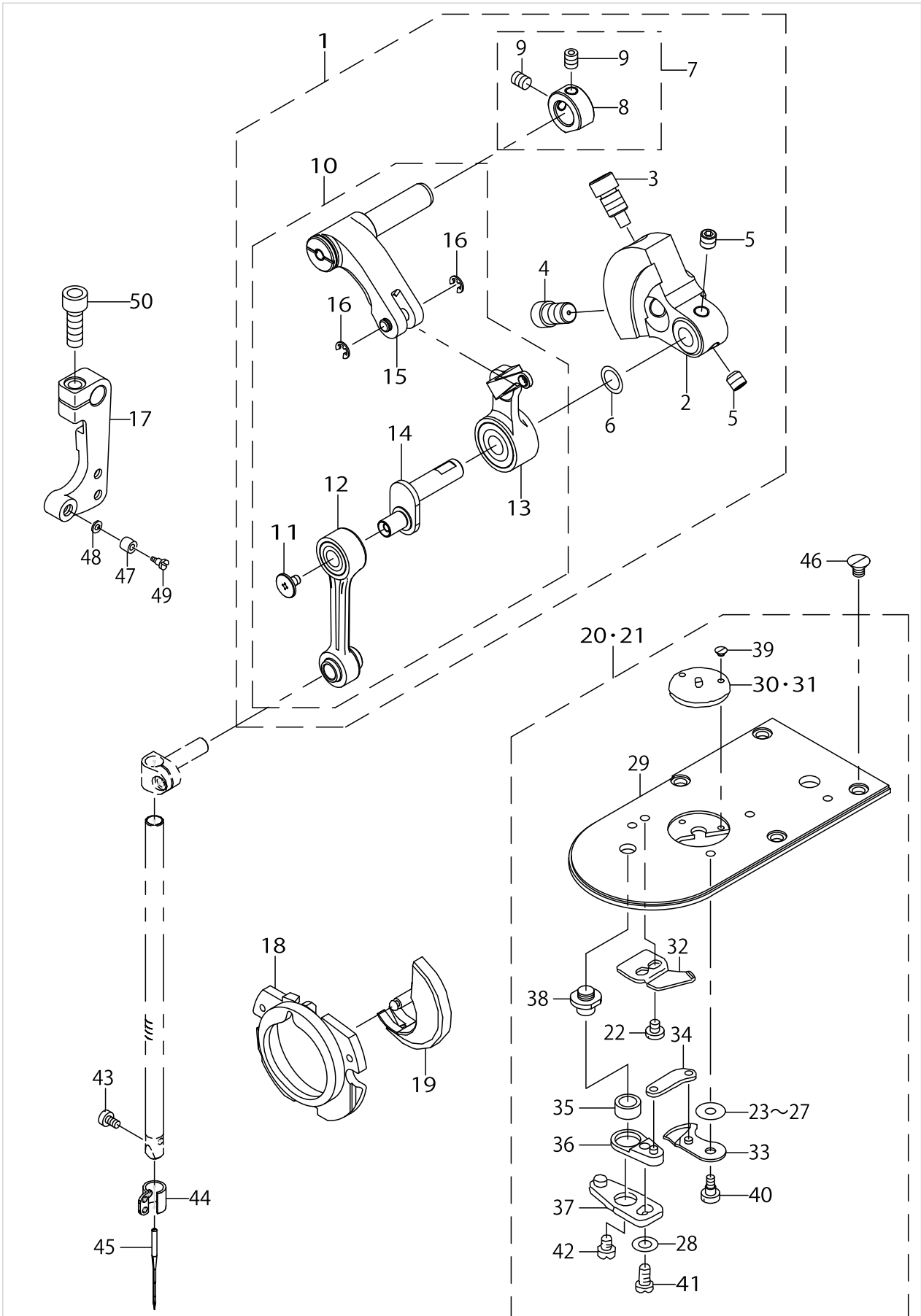
EXCLUSIVE PARTS FOR LK-1903BS-311,LK-1903BS-312 (2)



EXCLUSIVE PARTS FOR LK-1903BS-311,LK-1903BS-312 (2)

No.	Supply Code	Parts No.	Replacement	Parts name	Remarks	Choice	Step	Level	Cons	Qty	Rep. QTY
1		40142785		COUNTER_WEIGHT_COMPL_3						1	
2	R	40142691	40142689	COUNTER_WEIGHT		A	LK1900B	*		1	1.00
2	R	40142691	40142785	COUNTER_WEIGHT		B	LK1903B	*		1	1.00
3		40010424		COUNTER_WEIGHT_SCREW_A				*		1	
4		40010425		COUNTER_WEIGHT_SCREW_B				*		1	
5		40010426		COUNTER_WEIGHT_SCREW_C				*		2	
6		WP0820516SP		WASHER 11.6X8.2X0.6				*		1	
7		40110841		THRUST_COLLAR_ASM.				*		1	
8		40110842		THRUST_COLLAR				*		1	
9		SM80506A2TP		SCREW M5 L=6				*		2	
10	R	40142786	40142785	THREAD_TAKE_UP_COMPL_3				*		1	1.00
11	R	40142701	40142689	LEFT_HAND_SCREW				*		1	1.00
12	R	40142697	40142689	NEEDLE_BAR_CRANK_ROD_COMPL.		A	LK1900B	*		1	1.00
12	R	40142697	40142785	NEEDLE_BAR_CRANK_ROD_COMPL.		B	LK1903B	*		1	1.00
13		40142787		THREAD_TAKE_UP_ASM_3				*		1	
14		40142790		NEEDLE_BAR_CRANK_3				*		1	
15		40142807		TAKE_UP_CRANK_ASM_3				*		1	
16		RE0300000K0		E-RING 3				*		2	
17		40011949		CONNECTING ARM B						1	
18		14103352		INNER HOOK PRESSER ASM. B						1	
19		40110846		SHUTTLE					☆	1	
20		40142723		NEEDLE PLATE ASM. M	FOR LK-19-03BS-311					1	
21		40142724		NEEDLEPLATEASM.K	FOR LK-19-03BS-312					1	
22		SS7090410SP		SCREW 9/64-40 L=3.5				*		2	
23		B242328000A		MOVING KNIFE WASHER A	SELECTIVE PARTS			*		1	
24		B242328000B		MOVING KNIFE WASHER B	SELECTIVE PARTS			*		1	
25		B242328000C		MOVING KNIFE WASHER C	SELECTIVE PARTS			*		1	
26		B242328000D		MOVING KNIFE WASHER D	SELECTIVE PARTS			*		1	
27		B242328000E		MOVING KNIFE WASHER E	SELECTIVE PARTS			*		1	
28		WP0450846SP		WASHER				*		1	
29		40142725		NEEDLE PLATE				*		1	
30		MAZ15801000		GUIDE	FOR LK-19-03BS-311			*	☆	1	
31		MAZ15601000		GUIDE	FOR LK-19-03BS-312			*	☆	1	
32		B2424280000		FIXING KNIFE				*	☆	1	
33		B24212800A0		MOVING KNIFE ASM.				*	☆	1	
34		B2418280000		MOVING KNIFE LINK				*		1	
35		B2416280000		THREAD CUTTING LEVER RING				*		1	
36		B24152800A0		THREAD CUTTER L-EVER ASM. (SMALL)				*		1	
37		B24142800A0		THREAD CUTTER L-EVER ASM. (LARGE)				*		1	
38		B2417280000		THREAD CUTTER LEVER SHAFT				*		1	
39		SS1060210TP		SCREW 3/32-56 L=2.2				*		2	
40		SD0500091TP		HINGE SCREW D= 5.0 H=0.9				*		1	
41		SS7110740TP		SCREW 11/64-40 L=7				*		1	
42		SS6110430TP		SCREW 11/64-40 L= 4.0				*		1	

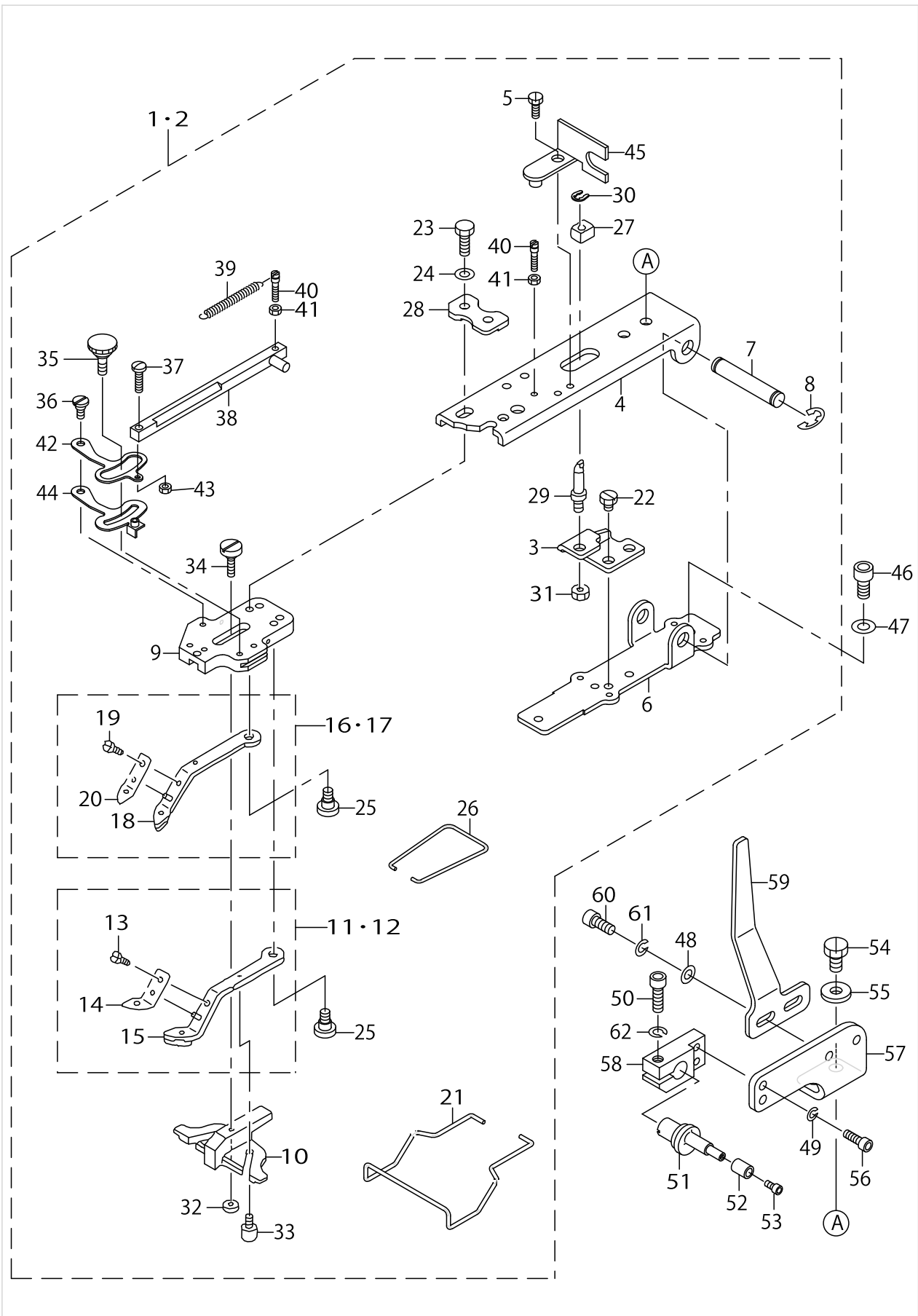
EXCLUSIVE PARTS FOR LK-1903BS-311,LK-1903BS-312 (2)



EXCLUSIVE PARTS FOR LK-1903BS-311,LK-1903BS-312 (2)

No.	Supply Code	Parts No.	Replacement	Parts name	Remarks	Choice	Step	Level	Cons	Qty	Rep. QTY
43		SM6030500SN		SCREW M3 L=5					☆	1	
44	R	40006525	40010574	NEEDLE BAR THREAD GUIDE					☆	1	1.00
45		MDP170B1400		NEEDLE DPX17 #14					☆	1	
46		SM1040650TP		SCREW						4	
47	R	B2619372000	26028803	STOP MOTION TRIPPING LEVER CAM						1	1.00
48		B185351200E		HOOK SHAFT WASHER						1	
49		SD0791276TP		SHOULDER SCREW						1	
50		SM6061802TP		SCREW M6 L=18						1	

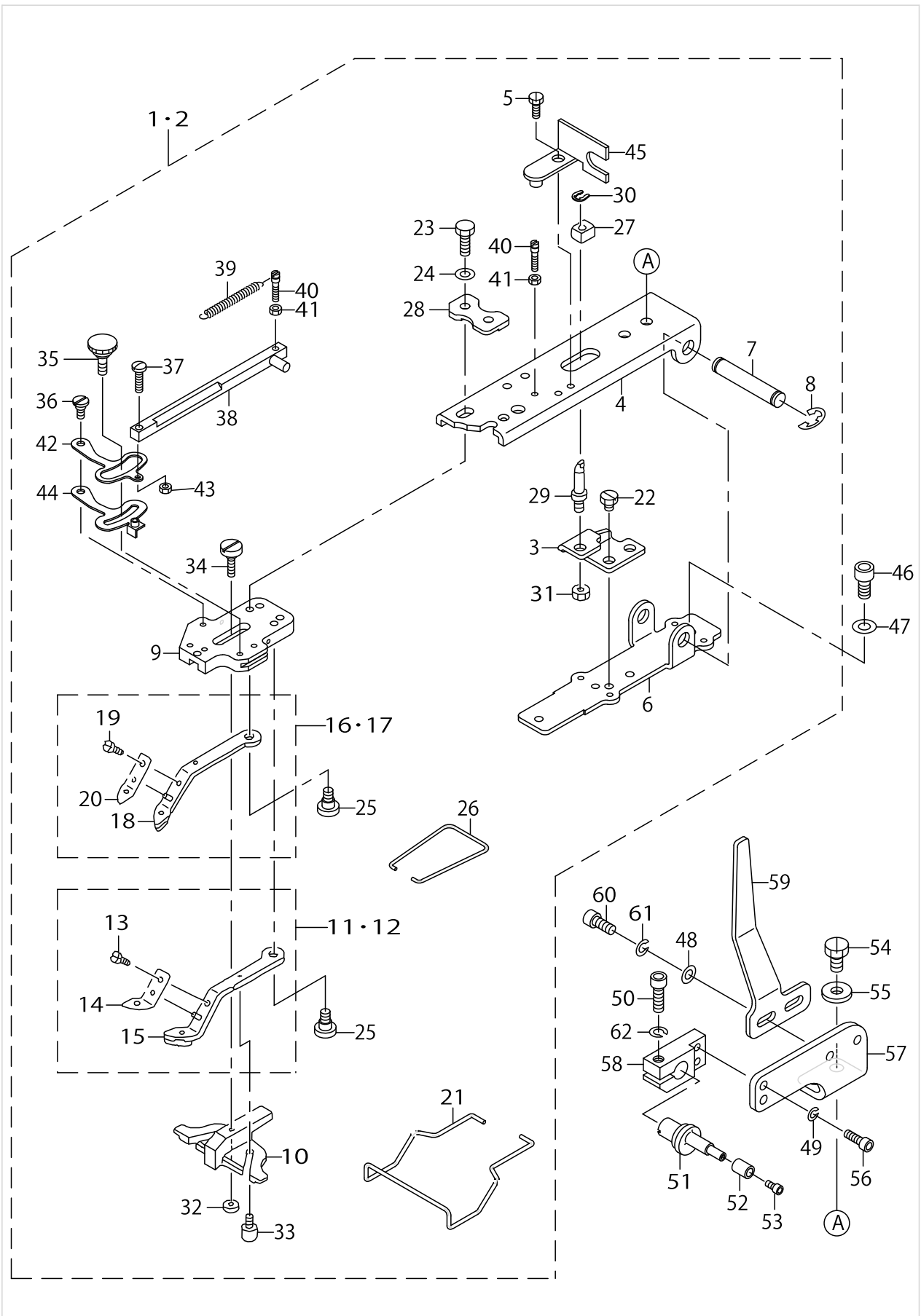
BUTTON CLAMP COMPONENTS



BUTTON CLAMP COMPONENTS

No.	Supply Code	Parts No.	Replacement	Parts name	Remarks	Choice	Step	Level	Cons	Qty	Rep. QTY
1		14190052		KNOB DEVICE JUNCTION COMPL.	FOR LK-1903B-311					1	
2		14190151		KNOB DEVICE JUNCTION COMPL.	FOR LK-1903B-312					1	
3		MAZ15514000		SUPPORT PLATE				*		1	
4		14146203		PICK-UP FOOT INSTALLING BASE				*		1	
5		SS9091010SP		SCREW 9/64-40 L=10				*		1	
6		14146104		PICK-UP INSTALLING BASE				*		1	
7		14141402		INSTALLING SHAFT				*		1	
8		RE0700000K0		E-RING 7				*		2	
9		14146302		PICK-UP FOOT INSTALLING BASE				*		1	
10		MAZ16522000		BUTTONGUIDE FOOT				*		1	
11		14190458		S BUTTON CLAMP JAW LEVER ASM. R	FOR LK-1903B-311			*		1	
12		MAZ166070B0		M BUTTON CLAMP JAW LEVER ASM. R	FOR LK-1903B-312			*		1	
13		SS7090410SP		SCREW 9/64-40 L=3.5				*		2	
14		MAZ08829000		SPRING RIGHT				*		1	
15	R	MAZ166070A0	MAZ166070B0	M BUTTON CLAMP JAW LEVER ASM. R				*		1	1.00
16		14190557		S BUTTON CLAMP JAW LEVER ASM. L	FOR LK-1903B-311			*		1	
17		MAZ166080B0		KNOB FOOT JUNCTION (LEFT)	FOR LK-1903B-312			*		1	
18	R	MAZ166080A0	MAZ166080B0	MIDDLE BUTTON CLAMP LEVER L				*		1	1.00
19		SS7090410SP		SCREW 9/64-40 L=3.5				*		2	
20		MAZ08828000		SPRING LEFT				*		1	
21		D3130M1YC00		FINGER GUARD				*		1	
22		SS9110460CP		SCREW 11/64-40 L=4				*		2	
23		SS9621413SP		SCREW 3/16-32 L=13.5				*		2	
24		WP0501016SD		WASHER 5X10.5X1				*		2	
25		SD0640391TP		HINGE SCREW D=6.35 H=3.9				*		2	
26		B2561372000		BUTTON CLAMP SPRING				*		1	
27		MAZ15515000		SLIDE BLOCK				*		1	
28		14190300		FITTING BASE PRESSER PLATE				*		1	
29		13540901		STATIONING BLOCK SHAFT				*		1	
30		D2548232D00		SNAP RING FOR C- ONNECTING ROD				*		1	
31		NS6150310SP		NUT 15/64-28				*		1	
32		B2553372000		NUT				*		1	
33		B2560372000		BUTTON CLAMP STOP PIN				*		2	
34		SD0550303TP		HINGE SCREW D=5.5 H=3				*		1	
35	R	B2549372R00	B2549372R00A	CLAMP SCREW A				*		1	1.00
36		SD0500404SP		HINGE SCREW				*		1	
37		SS7091480SP		SCREW 9/64-40 L=13.5				*		1	
38		MAZ088270A0		CLAMP PELEASE LINK ASM.				*		1	
39		GBR01606000		RELEASE RETURN SPRING				*		1	
40		GBR01607000		SPRING HOOK				*		2	
41		NS6080210SP		NUT 1/8-44				*		2	
42		GBR01601000A		CLAMP RELEASE LEVER				*		1	
43		NS6090310SP		NUT 9/64-40				*		1	
44	R	B2548372RA0	B2548372R00A	BUTTON CLAMP ST- OP LEVER ASM.				*		1	1.00

BUTTON CLAMP COMPONENTS

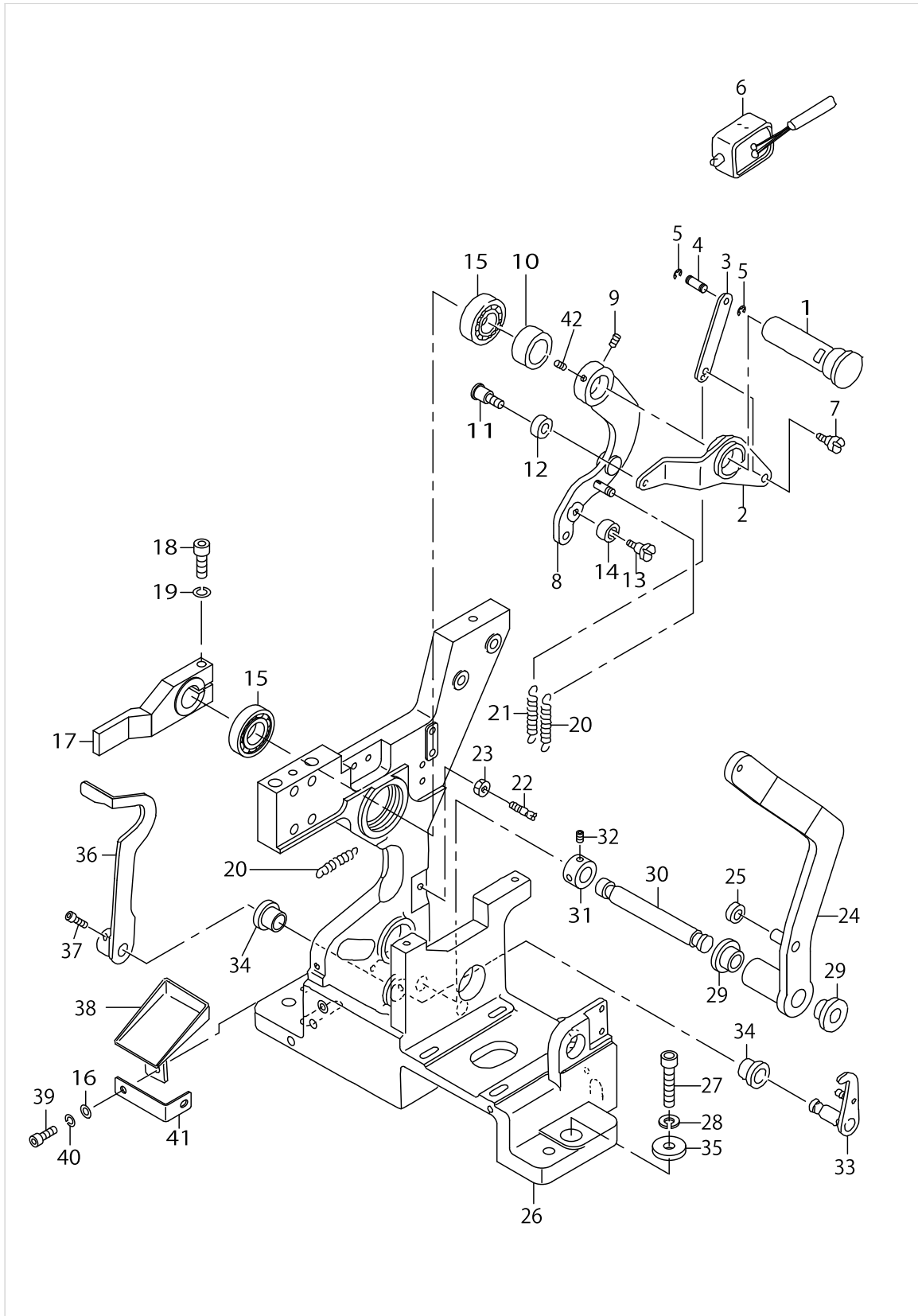


BUTTON CLAMP COMPONENTS

No.	Supply Code	Parts No.	Replacement	Parts name	Remarks	Choice	Step	Level	Cons	Qty	Rep. QTY
45		D2572M1YC0F		LINK SUPPORTING PLATE				*		1	
46		SM6061202TP		SCREW M6 L=12						1	
47		WP0612516SD		WASHER 6.1X15.2X2.5						1	
48		WP0531000SD		WASHER M5						2	
49		WS0410002KN		SPRING WASHER						2	
50		SM6051602TP		SCREW M5X0.8 L=16						1	
51		18227603		HOOK						1	
52		18200709		BUTTON GAUGE F- OR FOUR HOLES						1	
53		SM6030602TP		SCREW M3X0.5 L=6						1	
54		SS9151120CP		SCREW 15/64-28L=11						2	
55		WP0612516SD		WASHER 6.1X15.2X2.5						2	
56		SM6041202TP		SCREW M4X0.7 L=12						2	
57		GBR25004000		HOLDER BRACKET						1	
58		18209007		HOOK HOLDER						1	
59		GBR25003000		LIFTING ACTUATING PLATE						1	
60		SM6051202TP		SCREW M5X0.8 L=12						2	
61		WS0510002KP		SPRING WASHER 5.1X9.2X1.3						2	
62		WS0510002KP		SPRING WASHER 5.1X9.2X1.3						1	



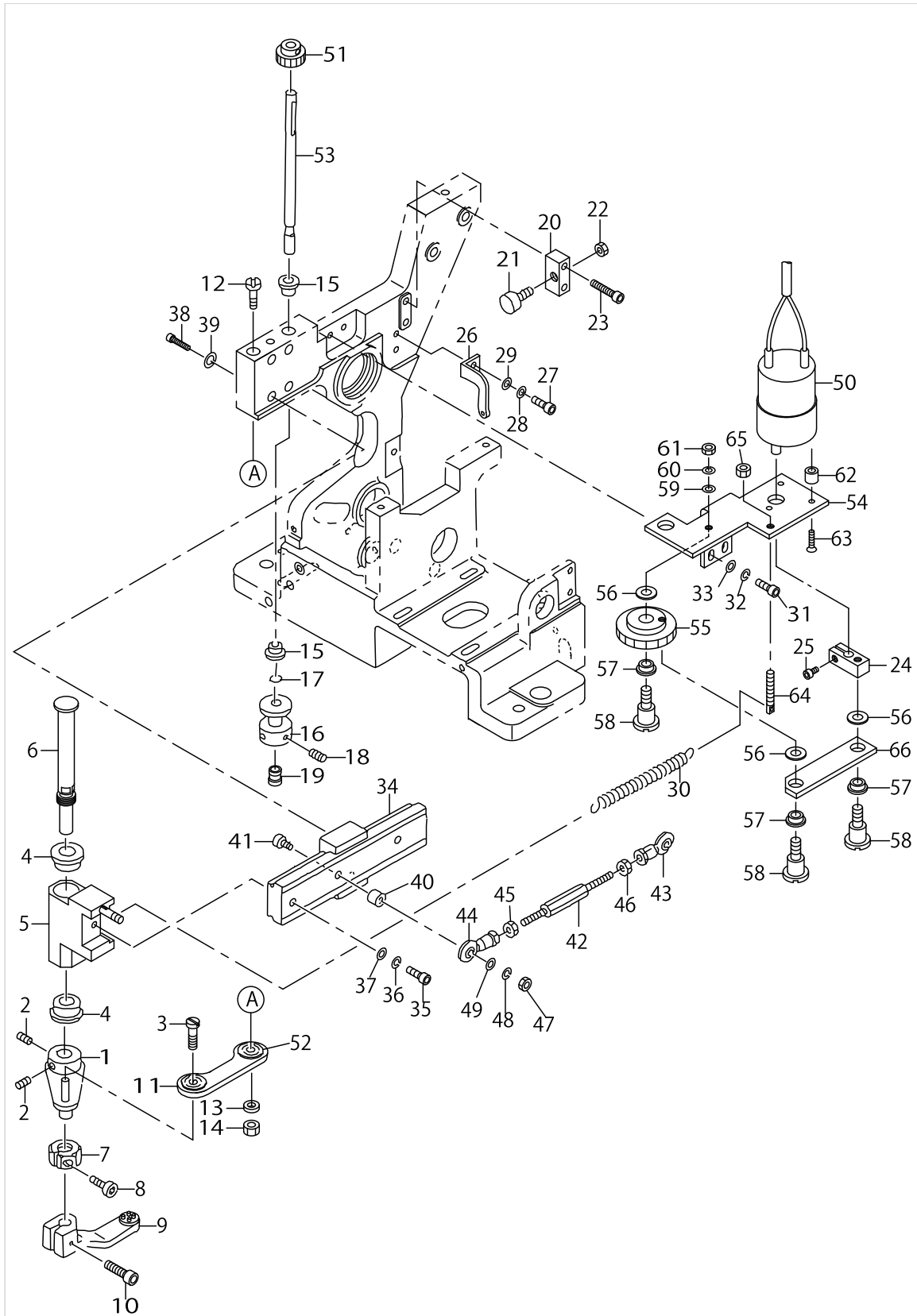
FINE POSITION OF BUTTONS COMPONENTS (1)



FINE POSITION OF BUTTONS COMPONENTS (1)

No.	Supply Code	Parts No.	Replacement	Parts name	Remarks	Choice	Step	Level	Cons	Qty	Rep. QTY
1		16552507		ARM SHAFT						1	
2		18219709		RUBBING UP-AND-DOWN LEVER						1	
3		18218206		RUBBING UP-AND-DOWN LINK						1	
4		16557209		PIN						1	
5		RE0200000K0		E-RING						2	
6		GBR10852000		MAGNET						1	
7		SD0600341TP		HINGE SCREW D=6.0 H=3.4						1	
8		18227850		UP AND DOWN LEVER ASM.						1	
9		SM8050602TP		SCREW M5 L=6						2	
10		16552606		THRUST COLLAR						1	
11		SD0600401TP		HINGESCREWD=6H=4						1	
12		18219808		RUBBING ROLLER						1	
13		SD0601021SP		HINGE SCREW D=6 H=10.2						1	
14		16556706		BEARING						1	
15		SB115000400		RADIAL BEARING						2	
16		WP0430800SC		WASHER M4						1	
17		18207902		UP AND DOWN ARM						1	
18		SM6052502TP		SCREW M5X0.8 L=25						1	
19		WS0510002KN		SPRING WASHER						1	
20		16554008		SPRING						2	
21		16553208		SPRING						1	
22		16553307		HOOK						1	
23		NM6050001SC		NUT M5						1	
24		18206706		TURNING LEVER						1	
25		16556805		COLLAR						1	
26		18227702		MAIN BODY						1	
27		SM6063002TP		SCREW M6 L=30						3	
28		WS0610002KN		SPRING WASHER 6.1X12.2X1.5						3	
29		16557506		LEVER SHAFT METAL						2	
30		16554503		SHAFT						1	
31		16559304		COLLAR						1	
32		SM8040602TP		SCREW M4X0.7 L=6						2	
33		18217752		CLAMP RELEASE ASM.						1	
34		16557605		SHAFT BUSHING						2	
35		16559601		WASHER						3	
36		18206904		CLAMPRELEASEARM						1	
37		SM6050802TP		SCREW M5X0.8 L=8						2	
38		16550105		SUPPORT PLATE						1	
39		SM6040802TP		SCREW M4X0.7 L=8						1	
40		WS0410002KN		SPRING WASHER						1	
41		GBR25005000		CAM FIXING PLATE						1	
42		SM8050612TP		SCREW M5X6						1	

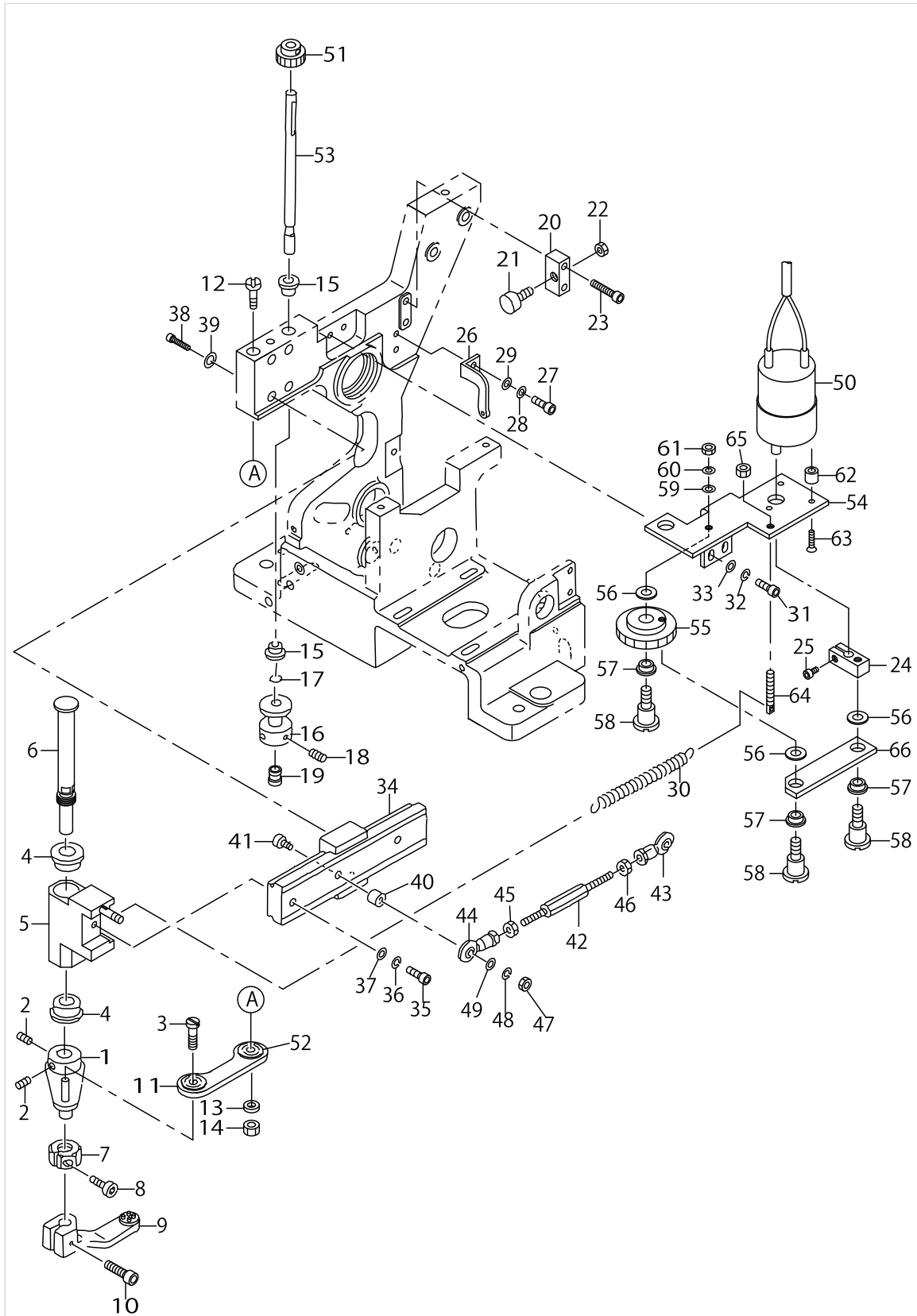
FINE POSITION OF BUTTONS COMPONENTS (2)



FINE POSITION OF BUTTONS COMPONENTS (2)

No.	Supply Code	Parts No.	Replacement	Parts name	Remarks	Choice	Step	Level	Cons	Qty	Rep. QTY
1		18206003		TURNING LEVER BOSS						1	
2		SM8050602TP		SCREW M5 L=6						2	
3		16550808		SCREW						1	
4		16557407		ARM SHAFT METAL						2	
5		18227959		TURNING HEAD ASM.						1	
6		18205906		TURNING SHAFT						1	
7		18206409		STOPPER						1	
8		SM6031202TP		SCREW M3X0.5 L=12						1	
9		16557902		BUTTON CARRIER A						1	
10		SM6051402TP		SCREW M5X0.8 L=14						1	
11		18206607		CONNECTING PLATE						1	
12		18205708		SCREW						1	
13	R	WS0510002KS	WS0510002KR	SPRING WASHER M5						1	1.00
14		NM6050001SC		NUT M5						1	
15		16557308		METAL						2	
16		16551905		HOOK						1	
17		16558801		O-RING						1	
18		SM8040602TP		SCREW M4X0.7 L=6						2	
19		18200501		WORK ATTACHMENT (SMALL)					☆	1	
20		18218800		STOPPER HOLDER						1	
21		16552309		STOPPER						1	
22		NM6040001SC		NUT M4						1	
23		SM6042002TP		SCREW M4X0.7 L=20						2	
24		GBR11112000		DRIVING ARM						1	
25		SS6111052TP		SCREW						1	
26		18205401		SPRING HOOK						1	
27		SM6041202TP		SCREW M4X0.7 L=12						2	
28		WS0410002KN		SPRING WASHER						2	
29		WP0430800SC		WASHER M4						2	
30		16551806		SPRING						1	
31		SM6041002TP		SCREW M4 L=10						2	
32		WS0410002KN		SPRING WASHER						2	
33		WP0430800SC		WASHER M4						2	
34		16556607		LM GUIDE						1	
35		SM6041402TP		SCREW M4 L=14						1	
36		WS0410002KN		SPRING WASHER						1	
37		WP0430800SC		WASHER M4						1	
38		SM6031402TP		SCREW						4	
39		WS0310002KN		SPRING WASHER M3						4	
40		16550402		COLLAR B						1	
41		SM6042502TP		SCREW M4X0.7 L=25						1	
42		16550204		CONNECTING ROD						1	
43		16556409		ROD END						1	
44		16556300		ROD END						1	
45		NM6040001SC		NUT M4						1	
46		GBR01175000		ROD END NUT LEFT						1	

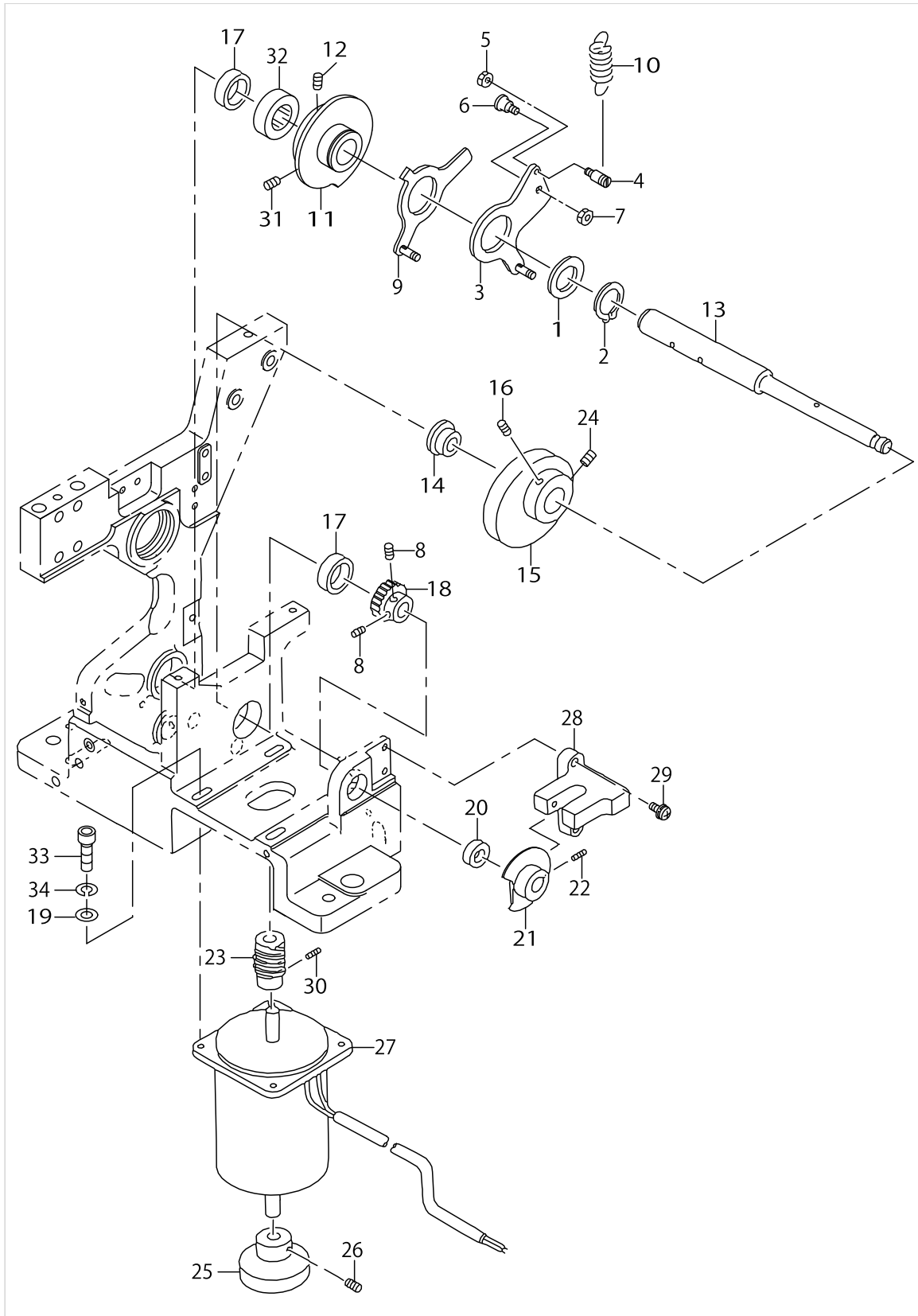
FINE POSITION OF BUTTONS COMPONENTS (2)



FINE POSITION OF BUTTONS COMPONENTS (2)

No.	Supply Code	Parts No.	Replacement	Parts name	Remarks	Choice	Step	Level	Cons	Qty	Rep. QTY
47		NM6040001SC		NUT M4						1	
48		WS0410002KN		SPRING WASHER						1	
49		WP0430800SC		WASHER M4						1	
50		GBR108550A0		DC MOTOR ASM.						1	
51		GBR11110000		PINION A						1	
52		16556508		SPRIT						1	
53		18206201		ROTATING ROD						1	
54		GBR11109000		BRACKET						1	
55		GBR11111000		PINION B						1	
56		GBR11114000		WASHER						3	
57		E5006171000		PS BEARING						3	
58		SD0600651TP		HINGE SCREW						3	
59		WP0430801SC		WASHER 4.3X9X0.8						1	
60		WS0410002KN		SPRING WASHER						1	
61		NS6110360SP		NUT						1	
62		GBR11115000		MOTOR SPACER.						3	
63	R	SM1031401SC	SM1031401SN	SCREW M3X0.5 L=14						3	1.00
64		26226506		SPRING HOOK						1	
65		NS6110360SP		NUT						1	
66		GBR11113000		LINK						1	

# DRIVE CAM COMPONENTS

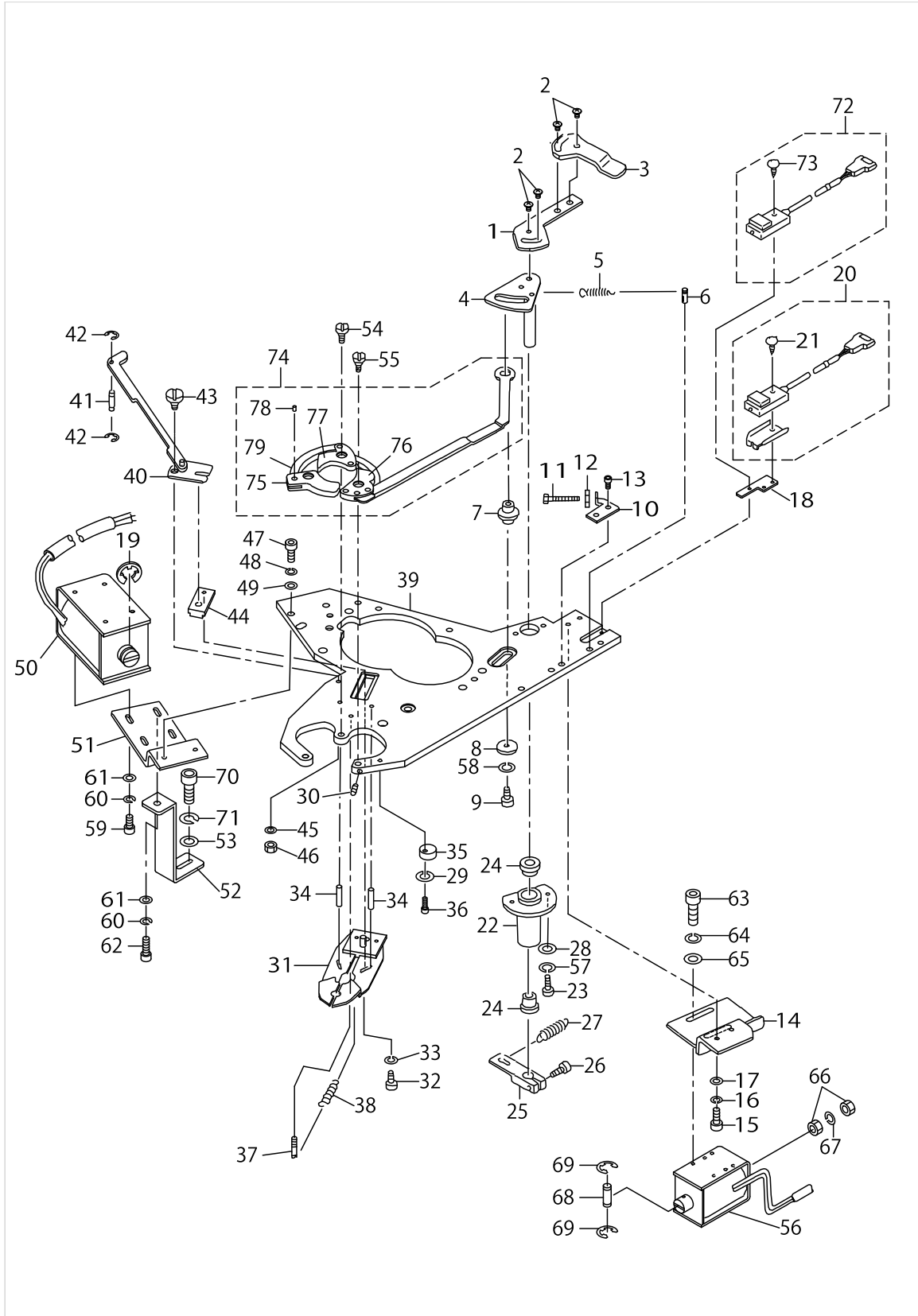


DRIVE CAM COMPONENTS

No.	Supply Code	Parts No.	Replacement	Parts name	Remarks	Choice	Step	Level	Cons	Qty	Rep. QTY
1	D	GBR01120000		COLLAR						1	
2		RC2500001KP		RETAINING RING 25						1	
3	D	18217950		START TIMING CAM ASM.						1	
4		16562803		HOOK						1	
5		NM6040001SC		NUT M4						1	
6		16562902		HINGE SCREW						1	
7		NM6050001SC		NUT M5						1	
8		SM8050602TP		SCREW M5 L=6						2	
9	D	18227553		HOLDING CLAMP DRIVE CAM ASM.						1	
10		B1426771000		SPRING						1	
11		18207209		DOUBLE CAM						1	
12		SM8050612TP		SCREW M5X6						1	
13		18207506		CAM SHAFT						1	
14		16560104		CAMSHAFTCOLLAR1						1	
15		16561607		SPINNER OSCILLATING ARM CAM						1	
16		SM8050812TP		SCREW M5X8						1	
17		GBR01168000		NEEDLE BEARING 3						2	
18		16562001		WORM WHEEL						1	
19		WP0641600SC		WASHEW6.4X12.5X1.6						4	
20		16562308		NEEDLE BEARING						1	
21		16560302		SENSOR DOCK						1	
22		SM8040602TP		SCREW M4X0.7 L=6						1	
23		16562100		WORM GEAR						1	
24		SM8050842TP		SETSCREW						1	
25		16561904		MOTOR KNOB						1	
26		SM8050602TP		SCREW M5 L=6						1	
27	R	GBR108590A0	HM000670000	DC MOTOR ASM.						1	1.00
28	D	HD000360000		PHOTO MICRO SENSOR						1	
29		SL4031081SC		SCREW M3 L=10						2	
30		SM8040402TP		SCREW M4X0.7 L=4						2	
31		SM8050842TP		SETSCREW						1	
32		16560203		CAMSHAFTCOLLAR2						1	
33		SM6062002TP		SCREW M6 L=20						4	
34		WS0610002KN		SPRING WASHER 6.1X12.2X1.5						4	



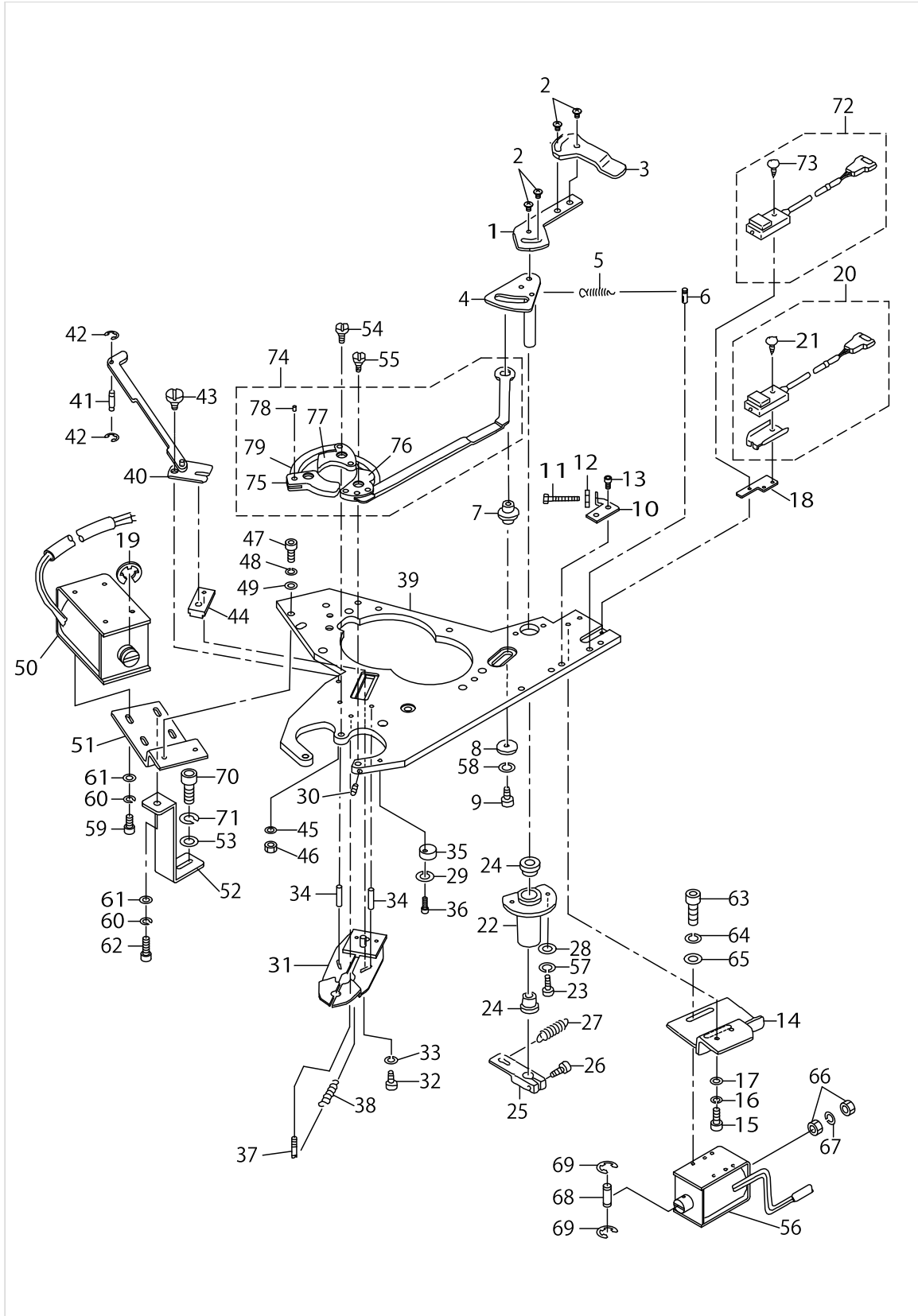
INDEX COMPONENTS (1)



INDEX COMPONENTS (1)

No.	Supply Code	Parts No.	Replacement	Parts name	Remarks	Choice	Step	Level	Cons	Qty	Rep. QTY
1		16566507		CHECK DOG						1	
2		SM0040601SC		SCREW M4X0.7 L=6						4	
3		16574105		DOG						1	
4		16566002		SPINNER CAM						1	
5		16553208		SPRING						1	
6		18218909		DW PIN 4X12						1	
7		16565707		SHAFT (3)						1	
8		B2107816000A		WASHER						1	
9		SM6041002TP		SCREW M4 L=10						1	
10	D	16566606		STOPPER BKT						1	
11		SM8042502TP		SCREW M4X0.7 L=25						1	
12		NM6040001SC		NUT M4						1	
13		SM6040802TR		SCREW M4X0.7 L=8						2	
14	D	16567000		BRACKET (1)						1	
15		SM6041002TP		SCREW M4 L=10						2	
16		WS0410002KN		SPRING WASHER						2	
17		WP0430800SC		WASHER M4						2	
18		16574006		BRACKET						1	
19		RE1200000K0		E-RING 12						1	
20		GBR108430A0		RUB COMPLETION SWITCH ASM.						1	
21	D	SM0861201SA		SCREW				*		1	
22		16565905		CUPLING						1	
23		SM6041002TP		SCREW M4 L=10						2	
24		16572406		METAL						2	
25		16566408		LINK LEVER						1	
26		SM6041202TP		SCREW M4X0.7 L=12						1	
27		18201608		SPRING 2						1	
28		WP0430800SC		WASHER M4						2	
29		WP0430800SC		WASHER M4						1	
30		SM8030402TP		SCREW M3X0.5 L=4						1	
31		16567166		SHUTTER PLATE ASM.						1	
32		SM6041202TP		SCREW M4X0.7 L=12						1	
33		WS0410002KN		SPRING WASHER						1	
34		18204107		PIN						2	
35		18209502		ECCENTRIC STOPPER						1	
36		SM6041202TP		SCREW M4X0.7 L=12						1	
37		18219204		DW PIN 4X18						1	
38		16554008		SPRING						1	
39		18217505		TOP PLATE						1	
40		16567802		LINK PLATE						1	
41		16572505		PIN						1	
42		RE0250000K0		E-RING 2.5						2	
43		16567901		HING SCREW						1	
44		16573305		SLIDER BLOCK						1	
45		WS0410002KN		SPRING WASHER						2	
46		NM6040001SC		NUT M4						2	

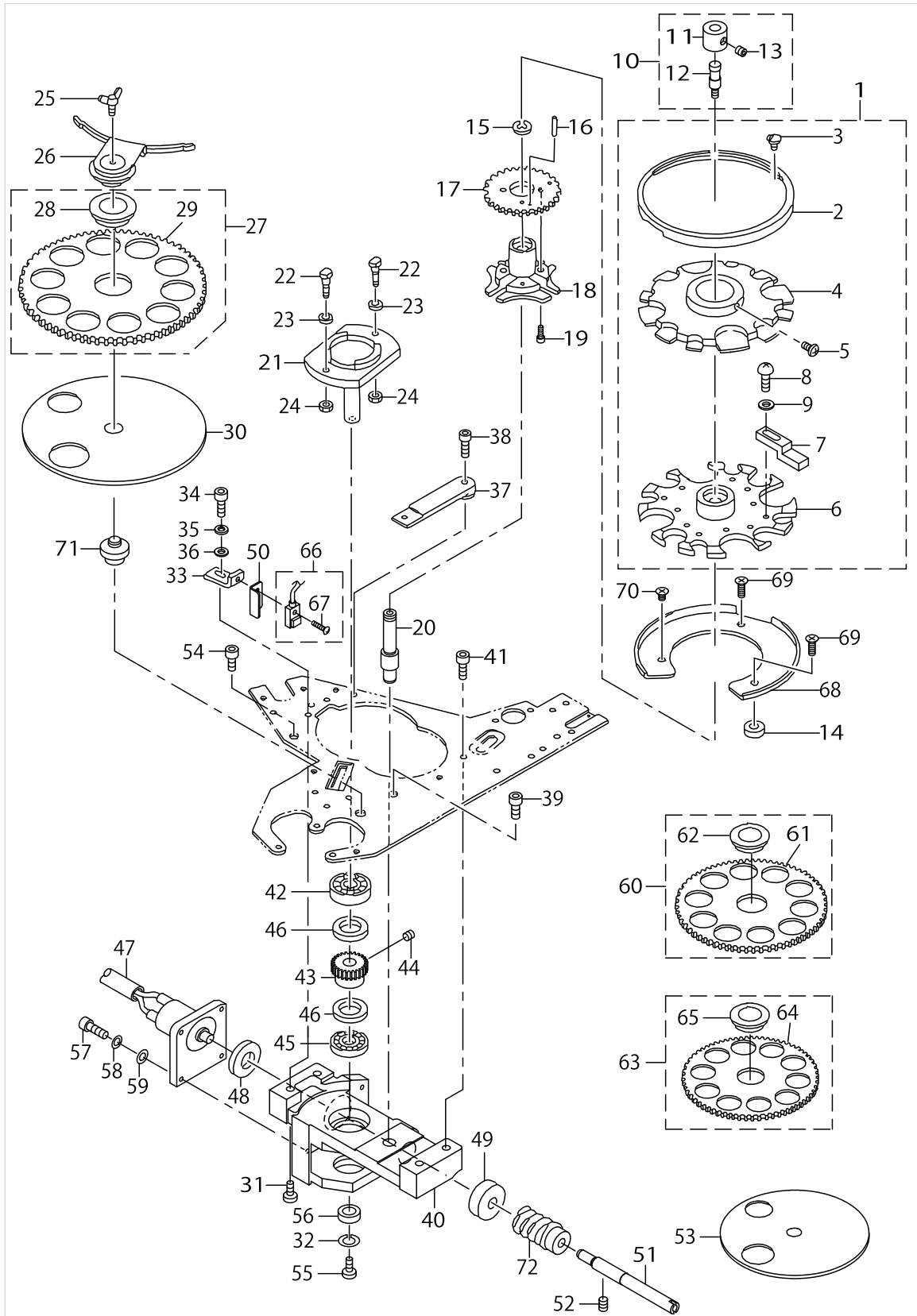
INDEX COMPONENTS (1)



INDEX COMPONENTS (1)

No.	Supply Code	Parts No.	Replacement	Parts name	Remarks	Choice	Step	Level	Cons	Qty	Rep. QTY
47		SM6041002TP		SCREW M4 L=10						2	
48		WS0410002KN		SPRING WASHER						2	
49		WP0430800SC		WASHER M4						2	
50		GBR10853000		MAGNET						1	
51		16568206		BRACKET (2)						1	
52		16574204		SUPPORT PLATE						1	
53		WP0641600SC		WASHEW6.4X12.5X1.6						1	
54		16565400		HING PIN (2)						2	
55		16565509		HING PIN (1)						1	
56		GBR10854000		MAGNET						1	
57		WS0410002KN		SPRING WASHER						2	
58		WS0410002KN		SPRING WASHER						1	
59		SM6040802TP		SCREW M4X0.7 L=8						3	
60		WS0410002KN		SPRING WASHER						4	
61		WP0430800SC		WASHER M4						4	
62		SM6041202TP		SCREW M4X0.7 L=12						1	
63		SM6040802TP		SCREW M4X0.7 L=8						2	
64		WS0410002KN		SPRING WASHER						2	
65		WP0430800SC		WASHER M4						2	
66		NM6040001SC		NUT M4						2	
67		WS0410002KN		SPRING WASHER						1	
68		16557209		PIN						1	
69		RE0200000K0		E-RING						2	
70		SM6061602TP		SCREW M6 L=16						1	
71		WS0610002KN		SPRING WASHER 6.1X12.2X1.5						1	
72		GBR108440A0		BUTTON SENSOR SWITCH ASM.						1	
73	D	SM0861201SA		SCREW M2.6 L=12				*		1	
74		18202150		CHECK ASM. A						1	
75		18204909		CHECK E				*		1	
76		18202101		CHECK C				*		1	
77		18202200		CHECK D				*		1	
78		16572000		PIN				*		5	
79		16565301		STITCHTONGUELINK				*		2	

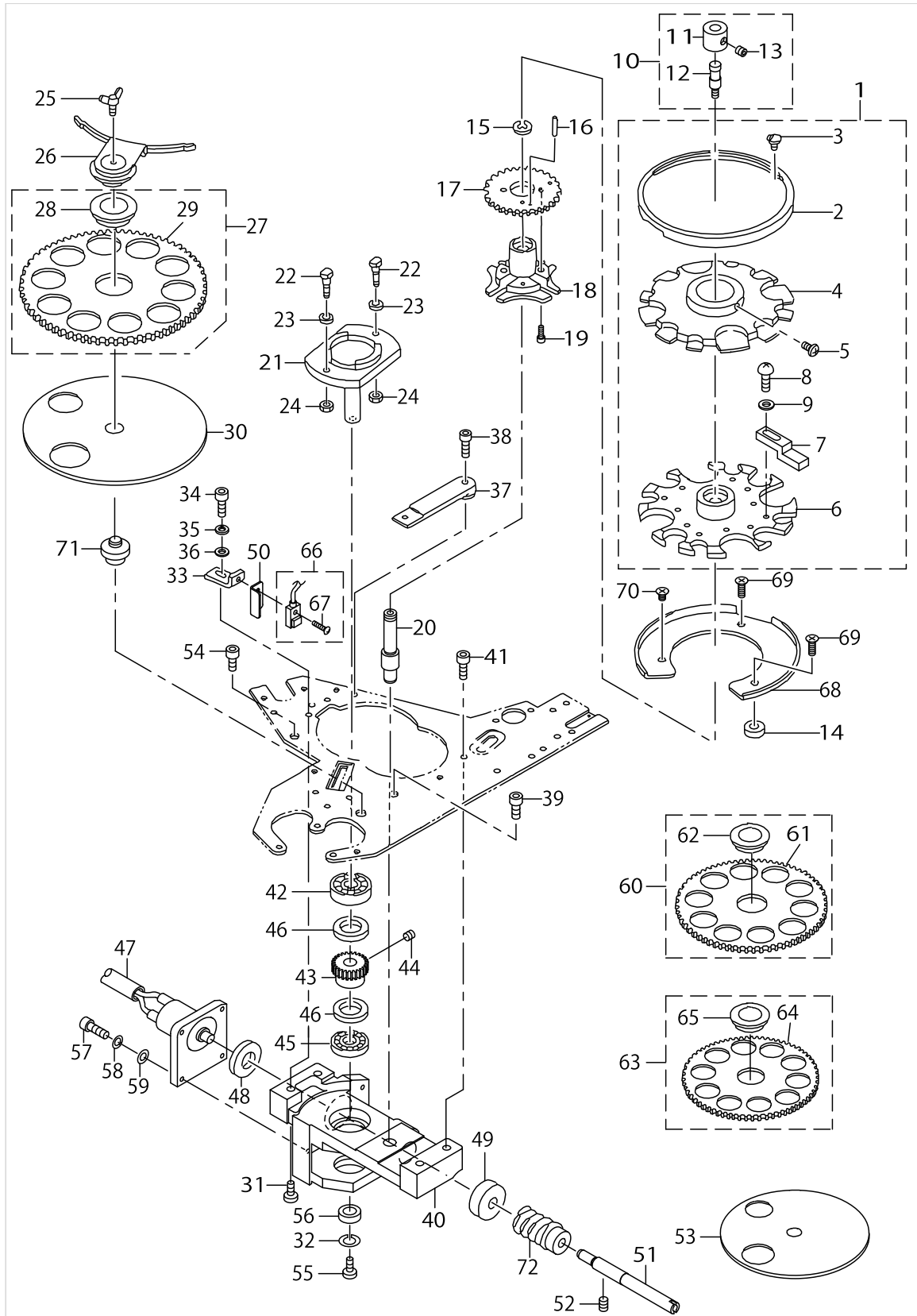
INDEX COMPONENTS (2)



INDEX COMPONENTS (2)

No.	Supply Code	Parts No.	Replacement	Parts name	Remarks	Choice	Step	Level	Cons	Qty	Rep. QTY
1	R	18201962	40163503	FEED ACROSS PLATE ASM. A						1	1.00
2		16573701		RING				*		1	
3		SM0040601SC		SCREW M4X0.7 L=6				*		2	
4	R	18203307	40163420	ADJUSTING PLATE				*		1	1.00
5		SL4030881SC		SCREW M3 L=8				*		1	
6	R	18201905	40163419	FEED PLATE A				*		1	1.00
7		18202002		BUTTON ADJUST A				*		8	
8		SM4860501SC		SCREW M 2.6 X 5				*		8	
9		WP0280500SC		WASHER				*		8	
10		18213454		LOCK SCREW ASM.						1	
11		18213405		LOCK COLLAR				*		1	
12		18213504		LOCK SHAFT				*		1	
13		SM8050502TP		SCREW M5 L=5				*		1	
14		16573008		COLLAR						2	
15		16571903		CLIP						1	
16		18204206		PIN						1	
17		16569600		GEAR						1	
18		16569501		GENEVA						1	
19		SM6030802TP		SCREW M3X0.5 L=8						2	
20		18219501		DIVIDING MAIN SHAFT						1	
21		16570103		WHEEL						1	
22		16570202		SCREW						2	
23		16570301		COLLAR						2	
24		NM6040001SC		NUT M4						2	
25		18204503		WING BOLT						1	
26		16568909		COVER CAP						1	
27		18200352		FEED PLATE CIRCLE 16 ASM.	FOR SMAL- L-SIZED BUTTON					1	
28		16572703		METAL				*		1	
29		18200303		FEED PLATE 16				*		1	
30		16568404		FERRULE DISC						1	
31		SM6052002TP		SCREW M5 L=20						1	
32		WS0410002KN		SPRING WASHER						1	
33		16570707		SENSOR BRACKET						1	
34		SM6040802TR		SCREW M4X0.7 L=8						1	
35		WS0410002KN		SPRING WASHER						1	
36		WP0430800SC		WASHER M4						1	
37		16570905		STAND PLATE (1)						1	
38		SM6041202TP		SCREW M4X0.7 L=12						1	
39		SM6051202TP		SCREW M5X0.8 L=12						1	
40		18219600		GENEVA HOUSE						1	
41		SM6051602TP		SCREW M5X0.8 L=16						3	
42		SB110000400		BALL BEARING						1	
43		16562001		WORM WHEEL						1	
44		SM8050602TP		SCREW M5 L=6						2	
45		16571804		BEARING A						1	
46		16573909		THRUST COLLAR						2	

INDEX COMPONENTS (2)

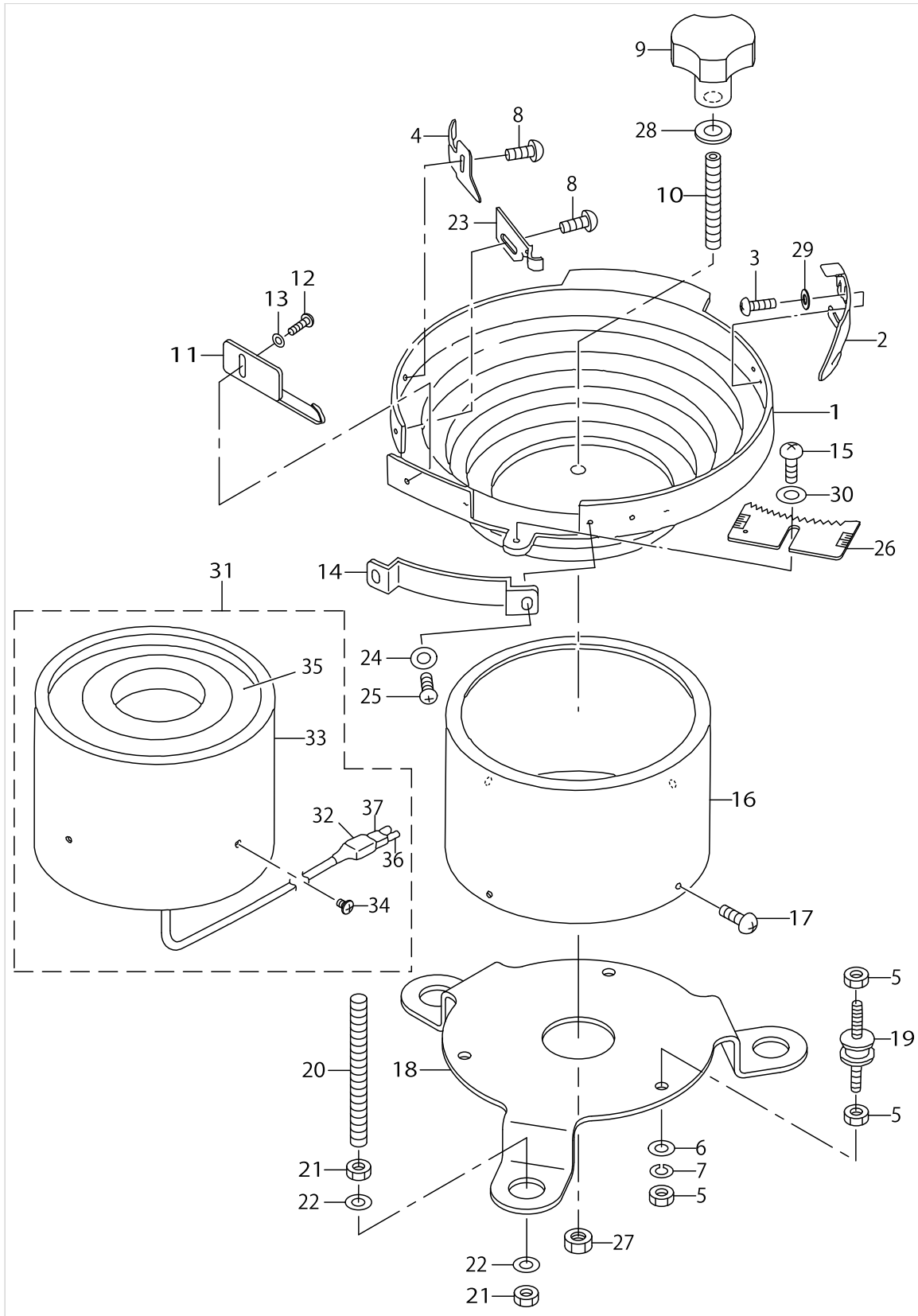


INDEX COMPONENTS (2)

No.	Supply Code	Parts No.	Replacement	Parts name	Remarks	Choice	Step	Level	Cons	Qty	Rep. QTY
47		GBR108560A0		DC MOTOR ASM.						1	
48		16570509		THRUST COLLAR						1	
49		16571408		NEEDLE BEARING						1	
50		18212902		SENSOR COVER						1	
51		16570608		SHAFT						1	
52		SM8040402TP		SCREW M4X0.7 L=4						2	
53		18201103		HOLDING PLATE (SMALL)	OPTIONAL PARTS					1	
54		SM6051202TP		SCREW M5X0.8 L=12						1	
55		SM6041002TP		SCREW M4 L=10						1	
56		B2107816000		WASHER						1	
57		SM6030802TP		SCREW M3X0.5 L=8						4	
58		WS0310002KN		SPRING WASHER M3						4	
59		WP0320500SC		WASHER M3						4	
60		16568651		FEEDPLATE22BASM.	FOR MEDIUM-SIZED BUTTON					1	
61		16568602		FEED PLATE 22B	FOR MEDIUM-SIZED BUTTON			*		1	
62		16572703		METAL				*		1	
63		18200956		FEED PLATE CIRCLE 13.5 ASM.	OPTIONAL PARTS					1	
64		18200907		FEED PLATE 12.5	OPTIONAL PARTS			*		1	
65		16572703		METAL				*		1	
66		GBR108450A0		INDEX STARTING SWITCH ASM.						1	
67	D	SM0861201SA		SCREW				*		1	
68		16569204		REST						1	
69		SM1041201SC		SCREW M4 L=12						2	
70		SM1040601SC		SCREW M4X0.7 L=6						1	
71		18218008		SHAFT (2)						1	
72		16571606		WORM GEAR						1	



FEEDER BALL COMPONENTS



FEEDER BALL COMPONENTS

No.	Supply Code	Parts No.	Replacement	Parts name	Remarks	Choice	Step	Level	Cons	Qty	Rep. QTY
1		16577009		FEEDER BOWL						1	
2		GBR01426000		GUIDE PLATE						1	
3		SS4110815SP		SCREW 11/64-40 L=8						2	
4		GBR01441000		BUTTON STANDING PREVENT PLATE						1	
5		NM6060001SC		NUT M6						9	
6		WP0641600SC		WASHEW6.4X12.5X1.6						3	
7		WS0610002KN		SPRING WASHER 6.1X12.2X1.5						3	
8		SM4040801SN		SCREW M4 L=8						2	
9		18204602		BOWL FIXING KNOB						1	
10		SM8086012TP		SCREW M8 L=60						1	
11		16577504		SELECTOR PLATE						1	
12		SM4040801SN		SCREW M4 L=8						1	
13		WP0430800SC		WASHER M4						1	
14		GBR01428000		GUIDE PLATE						1	
15		SM4051001SN		SCREW M5						1	
16		16577207		P/F COVER						1	
17		SM0040601SC		SCREW M4X0.7 L=6						4	
18		40014217		P/F INSTALLING BASE						1	
19	R	16579203	40090800	RUBBER VIBRATION INSULATOR						3	1.00
20		16577306		MOUNTING BOLT						3	
21		NM6080001SC		NUT M8X1.25						6	
22		16577405		WASHER						6	
23		18202408		BUTTON GUIDE A						1	
24		WP0320500SC		WASHER M3						2	
25		SM4030601SN		SCREW M3 X 6						2	
26		GBR014220A0		SELECTION PLATE ASM. (SMALL)						1	
27		NM6080001SC		NUT M8X1.25						1	
28		WP0841601SC		WASHER 8.4X17.4X1.6						1	
29		WP0450801SD		WASHER 4.5X10X0.8						2	
30		WP0531000SC		WASHER 5.3X10X1						1	
31		GBR107910A0		PARTS FEEDER ALL ASM.	FOR USE IN JAPAN AND GENERAL EXPORT					1	
32		HK004490020		CONNECTOR COVER				*		1	
33		16577207		P/F COVER				*		1	
34		SM0040601SC		SCREW M4X0.7 L=6				*		4	
35		GBR10791000		PARTS FEEDER				*		1	
36		HK004440020		2-POLE RECEPTACLE				*		1	
37		D6042555B00		PIN TERMINAL FEMALE				*		2	

TABLE & COVER COMPONENTS

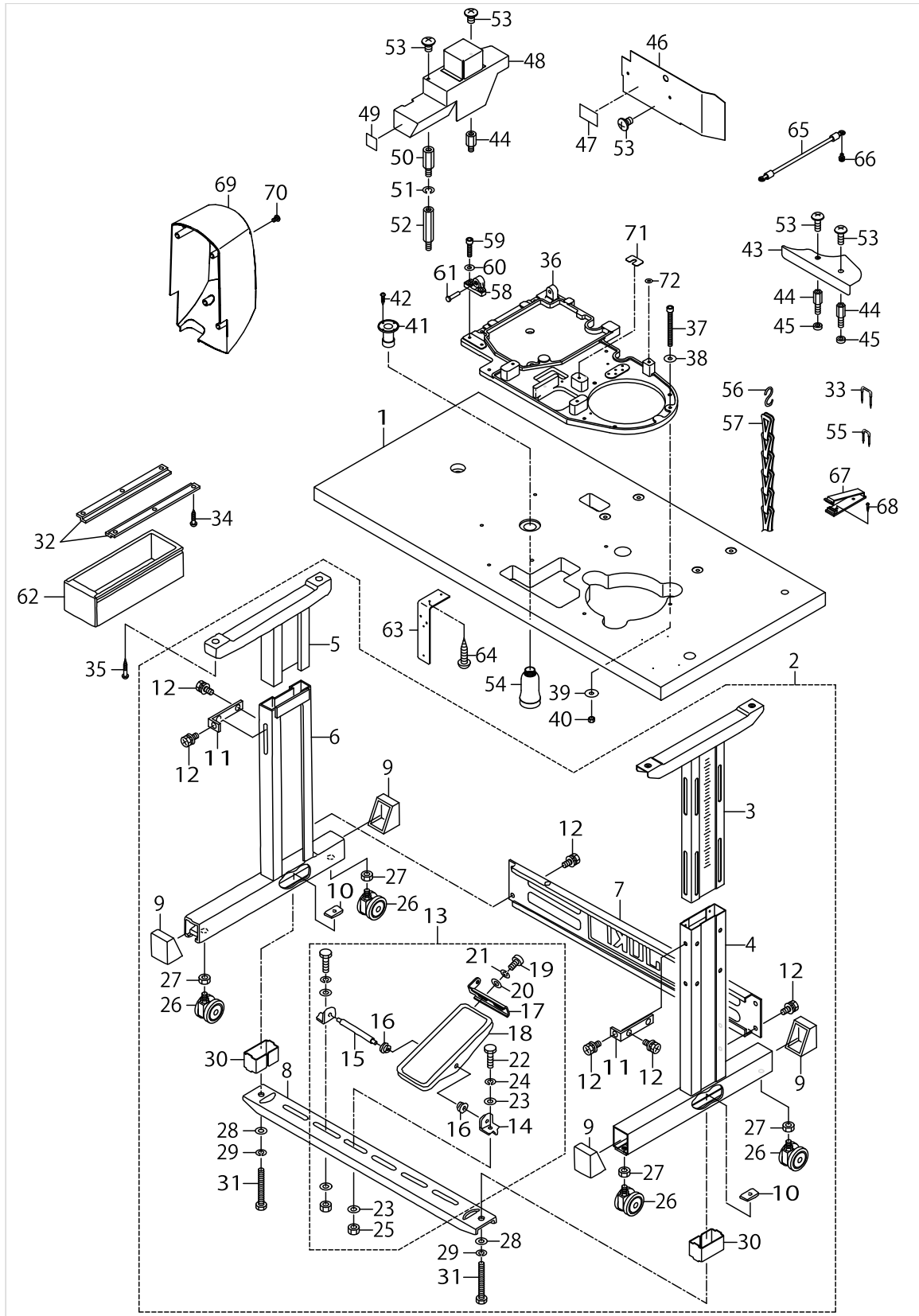


TABLE & COVER COMPONENTS

No.	Supply Code	Parts No.	Replacement	Parts name	Remarks	Choice	Step	Level	Cons	Qty	Rep. QTY
1		40148338		TABLE					☆	1	
2		14191951		T-STAND COMPL.	OPTIONAL PARTS					1	
3		14118152		UPPER STAND ASM. RIGHT				*		1	
4		14118251		STAND ASM. RIGHT				*		1	
5		B8101210AAB		UPPER STAND ASM.				*		1	
6		B8105210AAA		STAND ASM.				*		1	
7	D	11158300		STAND SIDE SUPPORT				*		1	
8		11158409		STAND SIDE SUPPORT				*		1	
9		11158607		RUBBER CAP				*		4	
10		17007402		NUT				*		2	
11		11158516		UPPERSTANDPLATE				*		2	
12		SL9082091SE		WASHER HEXAGONAL BOLT				*		10	
13		13817754		Z-STAND PEDAL ASM.				*		1	
14		11159001		PEDAL SHAFT BRACKET				*		2	
15		B8153771000		PEDAL CONNECTING ROD				*		1	
16		D8113555B00		PEDAL BUSHING				*		2	
17		GPF06080000		PEDAL ADJUSTING PLATE				*		1	
18		GPF060600A0		PEDAL ASM.				*		1	
19		SM9061203SE		SCREW M6 L=12				*		2	
20		WP0671016SE		WASHER 6.7X13X1				*		2	
21		WS0621210KR		SPRING WASHER 6.2X11.4X1.2				*		2	
22		SM9082023SE		SCREW M8 L=20				*		2	
23		WP0871602SE		WASHER 8.7X18X1.6				*		4	
24		WS0861410KR		SPRING WASHER 8.6X15X1.4				*		2	
25		NM6080721SE		NUT M8				*		2	
26		B8150210000		CASTER				*		4	
27		NM6120003SE		NUT M12				*		4	
28		WP0871602SE		WASHER 8.7X18X1.6				*		2	
29		WS0861410KR		SPRING WASHER 8.6X15X1.4				*		2	
30		11159506		STRUT AUXILIARY PLATE				*		2	
31		SM9086523SE		HEXAGONAL BOLT				*		2	
32		11155207		DRAWER SUPPORT	ACCESSO- RIE PARTS					2	
33		D8204555D00		DRAWER STOPPER						3	
34		SK3311601SE		WOOD SCREW D=3.1 L=16	ACCESSO- RIE PARTS					6	
35		SK3483201SE		WOOD SCREW D=4.8 L=32						4	
36		40014216		BASE						1	
37		SM6066552TP		BOLT						6	
38		WP0612056SD		WASHER 6.1X18.5X2						6	
39		WP0651646SC		WASHER						6	
40		NM6060001SC		NUT M6						6	
41		B8202205000		OIL MANAGEMENT						1	
42		SK3311601SE		WOOD SCREW D=3.1 L=16						4	
43		18222604		FRONT COVER A						1	
44		HX003390000		STUD						3	
45		B3052816000		WASHER						2	

TABLE & COVER COMPONENTS

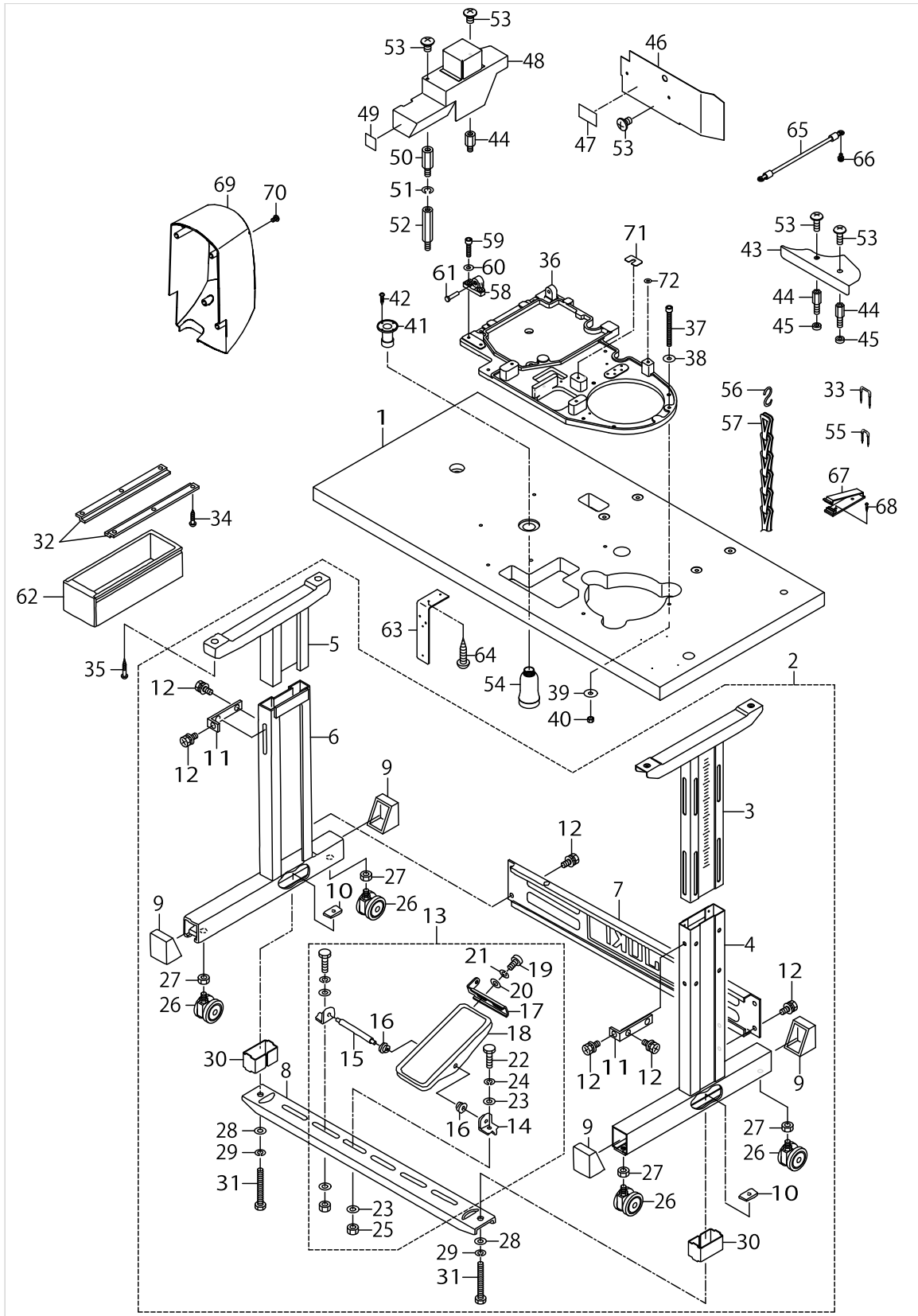
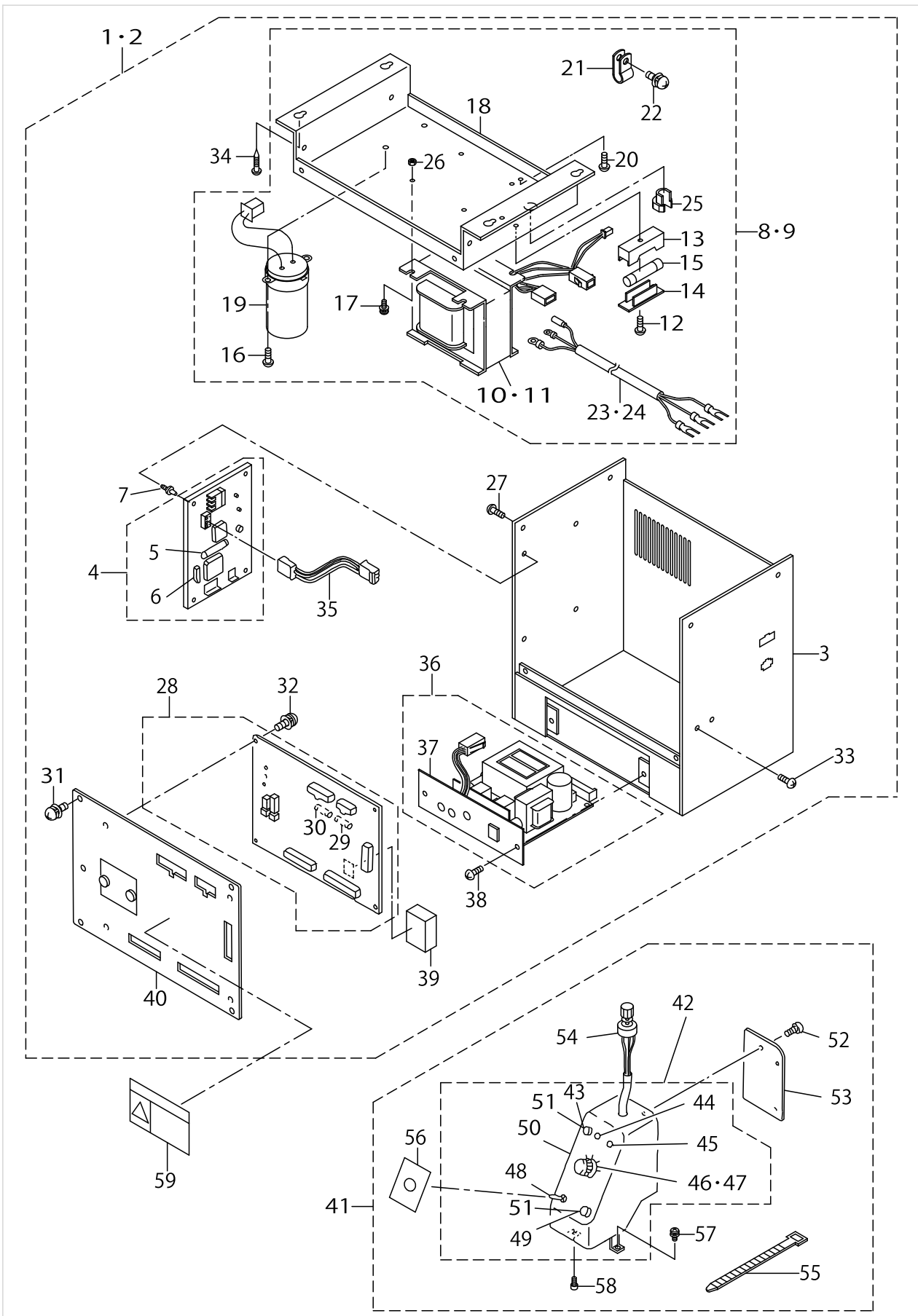


TABLE & COVER COMPONENTS

No.	Supply Code	Parts No.	Replacement	Parts name	Remarks	Choice	Step	Level	Cons	Qty	Rep. QTY
46		40014221		FRONT COVER B						1	
47		CM3002002B1		SAFETY LABEL 13	FOR USE IN JAPAN AND GENERAL EXPORT					1	
48	R	40014220	40014223	HEAD COVER						1	1.00
49		16586505		DANGER PREVENTION STICKER						1	
50		HX00339000F		SPACER						1	
51		WS0410002KN		SPRING WASHER						1	
52		HX00339000B		BOARD PARTS						1	
53		SM0040601SA		SCREW						6	
54		B9121012000		OIL CAN						1	
55		MA011532000		CORD STAPLE						11	
56		13160304		S SHAPED HOOK	ACCESSO- RIE PARTS					2	
57		26037903		CHAIN	ACCESSO- RIE PARTS					1	
58	D	GBR25006000		HEAD FIXING HINGE						1	
59		SM6062502TP		SCREW M6 L=25						2	
60		WP0611626SP		WASHER 15X6X1.6						2	
61		D2431555B00		THREAD TRIMMER SHAFT						2	
62	R	11155108	11155157	DRAWER	ACCESSO- RIE PARTS					1	1.00
63		B5542205000		TERMINAL BRACKET						1	
64		SK3311601SE		WOOD SCREW D=3.1 L=16						2	
65		GBR308650A0		BASE EARTH CORD ASM.						1	
66		SL4041091SC		SCREW M4 L=10						1	
67		M964051000A		CABLE CLIP						1	
68		SK3382001SE		SCREW D=3.8 L=20						2	
69		40006475		MOTOR COVER						1	
70		SM5040855SN		SCREW						4	
71		GBR25010000		BODY FRAME SPACER A						3	
72		WP0621036SP		WASHER						1	

BR CONTROL BOX COMPONENTS (FOR USE IN JAPAN AND GENERAL EXPORT)

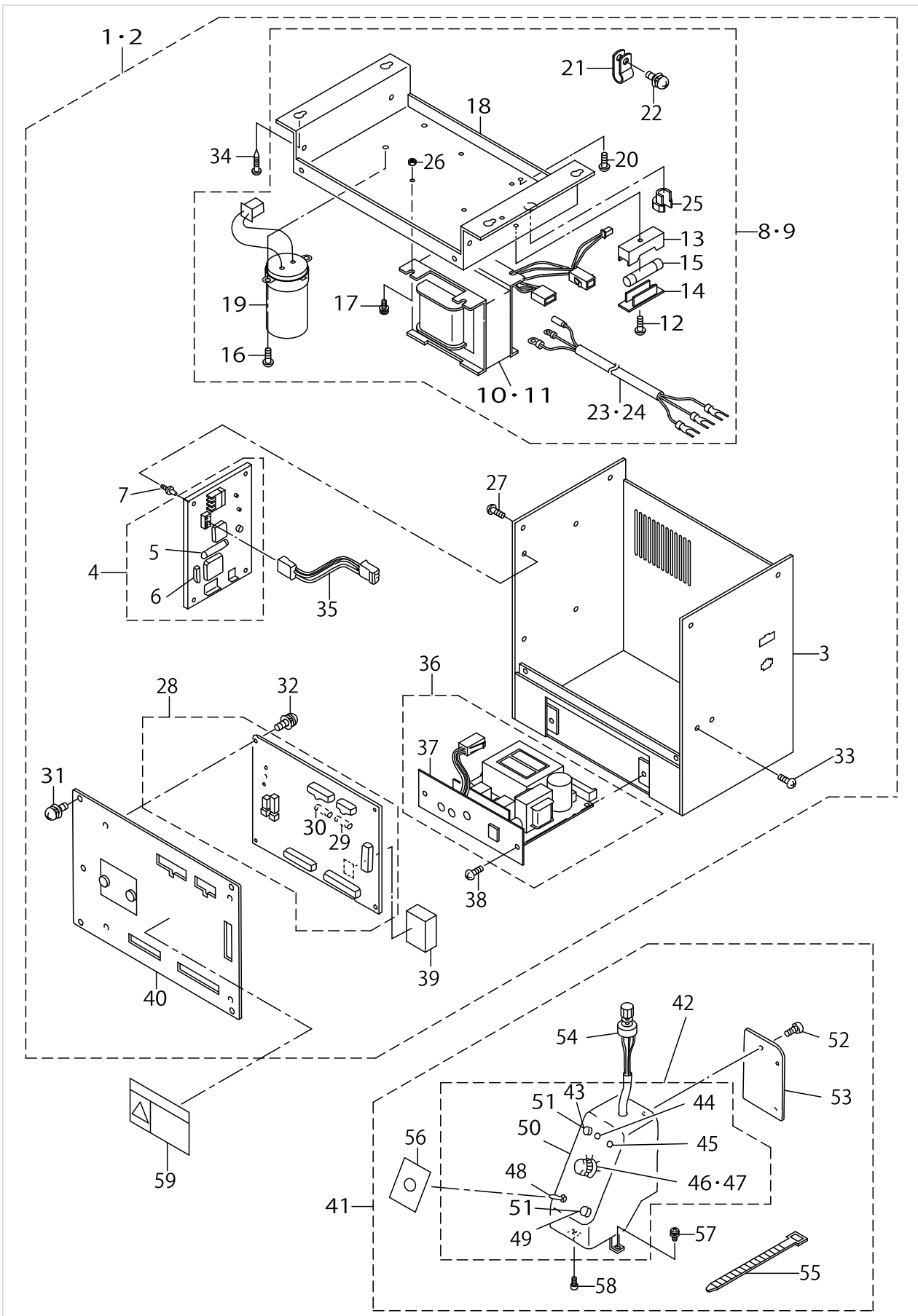


BR CONTROL BOX COMPONENTS (FOR USE IN JAPAN AND GENERAL EXPORT)

No.	Supply Code	Parts No.	Replacement	Parts name	Remarks	Choice	Step	Level	Cons	Qty	Rep. QTY
1		40014506		CONTROLBOXBASM.	FOR 220V,240V					1	
2		40014495		CONTROLBOXAASM.	FOR 100V,200V					1	
3	D	GBR107240A0		CONTROL BOX FRAME BODY ASM.				*		1	
4	R	GBR107610A0	40046093	POWER BOARD		A		*		1	1.00
4	R	GBR107610A0	40058552	POWER BOARD		A		*		1	1.00
5		E9613601000		FUSE 2A				*		1	
6		HA002980000		BREAKER 5A				*		1	
7		HX00228000A		SPACER				*		4	
8	D	GBR107460AB		TRANS BASE B COMPLE.	FOR 220V,240V			*		1	
9		GBR107460AA		TRANS BASE A COMPLE.	FOR 100V,200V			*		1	
10		GBR107480AA		TRANS A ASM.	FOR 100V,200V			*		1	
11		GBR107480AB		TRANS B ASM.	FOR 220V,240V			*		1	
12		SM4041001SC		SCREW M4X0.7 L=10				*		1	
13		HF005111000		FUSE HOLDER				*		1	
14	D	HF00511100B		FUSEHOLDERCOVER				*		1	
15		E9613601000		FUSE 2A				*		1	
16		SL4030681SC		SCREW M3 L=6				*		2	
17		SL4041291SC		SCREW M4 L=12				*		4	
18	D	GBR10747000		TRANSFORMER BASE				*		1	
19	R	GBR107430A0	40058552	CONDENSER ASM.		A		*		1	1.00
19	R	GBR107430A0	40046093	CONDENSER ASM.		A		*		1	1.00
20		SL4040891SC		SCREW M4 L=8				*		2	
21		HX00150000B		CABLE CLIP				*		1	
22		SL4030881SC		SCREW M3X8				*		1	
23		GBR107450A0		AC INPUT POWER CABLE CORD ASM.	FOR 100V,200V			*		1	
24	D	GBR107440A0		AC INPUT POWER CABLE CORD ASM.	FOR 220V,240V			*		1	
25		HX000980000		CORD BUSH				*		1	
26		NM6040001SF		NUT M4				*		4	
27		SL4040891SC		SCREW M4 L=8				*		4	
28	R	GBR107510A0	40058552	CPU BOARD ASM.		A	BR-10	*		1	1.00
28	R	GBR107510A0	40049608	CPU BOARD ASM.		A	BR-10	*		1	1.00
28	R	GBR107510A0	40058552	CPU BOARD ASM.		B	BR-35	*		1	1.00
28	R	GBR107510A0	40044386	CPU BOARD ASM.		B	BR-35	*		1	1.00
28	R	GBR107510A0	40063649	CPU BOARD ASM.		C	BR-20,BR-25,BR-30	*		1	1.00
29		HF0084020P0		FUSE 2A				*		1	
30		HF0084063P0		FUSE				*		1	
31		SL4040891SC		SCREW M4 L=8				*		4	
32		SL4030681SC		SCREW M3 L=6				*		4	
33		SL4040891SC		SCREW M4 L=8				*		2	
34		SK3452501SE		SCREW D=4.5 L=25				*		4	
35		GBR107720A0		CPU BOARD POWER CORD ASM.				*		1	
36		GBR107740A0		P/F CONTROLLER ASM.				*		1	
37		GBR10775000		P/F PANEL				*		1	
38		SM5040601SC		SCREW M4X0.7 L=6				*		2	
39		HL008730140		IC				*		1	



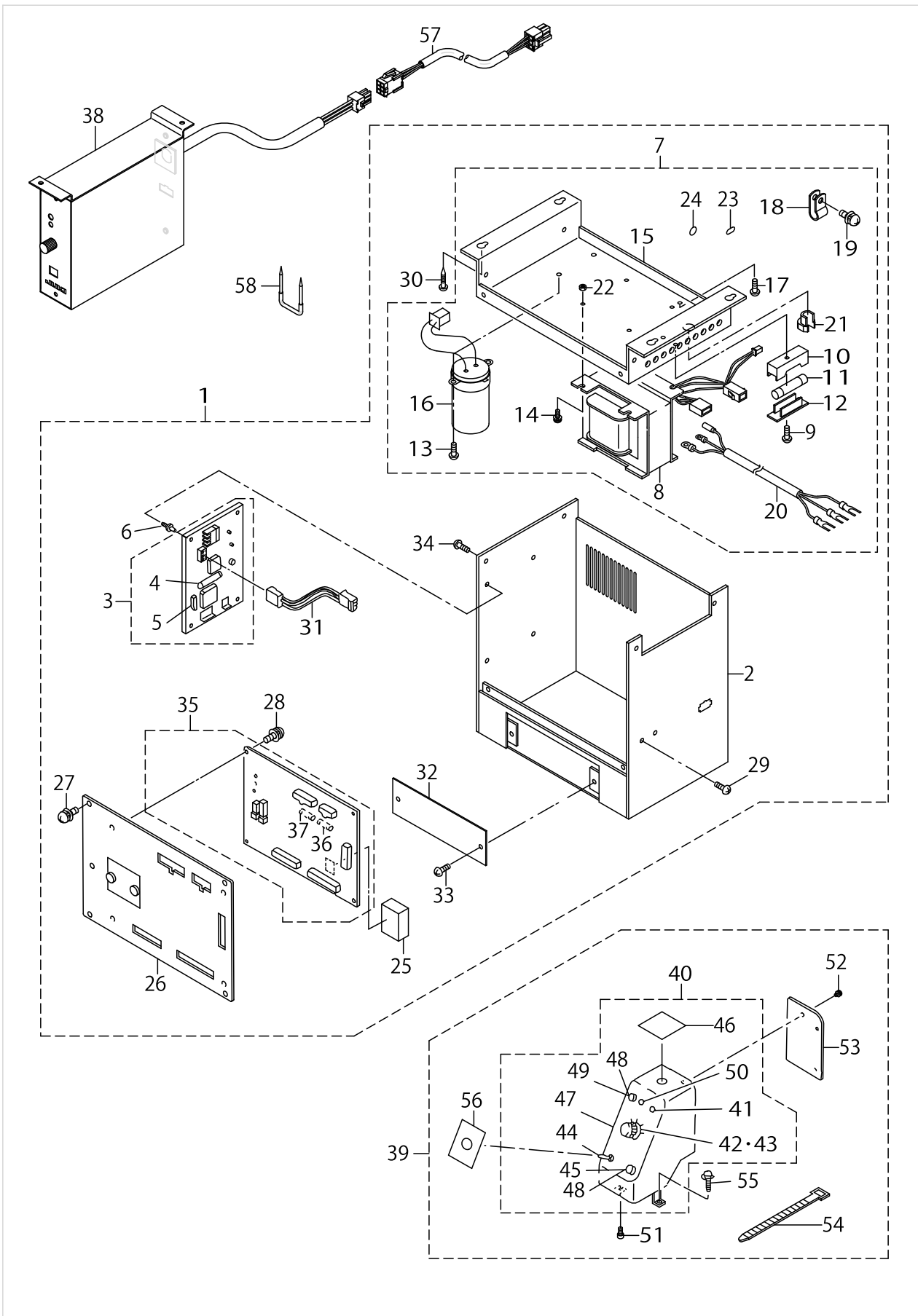
BR CONTROL BOX COMPONENTS (FOR USE IN JAPAN AND GENERAL EXPORT)



## BR CONTROL BOX COMPONENTS (FOR USE IN JAPAN AND GENERAL EXPORT)

No.	Supply Code	Parts No.	Replacement	Parts name	Remarks	Choice	Step	Level	Cons	Qty	Rep. QTY
40		GBR207340A0		CONTROL BOX FRAME COVER ASM.				*		1	
41		GBR30784AA0		OPERATION PANEL WHOLE ASM. (A)						1	
42		GBR107850A0		PANEL ASM.				*		1	
43		HA00191001B		OPERATION BUTTON				*		1	
44		HG00291000A		LED (GREEN)				*		1	
45	D	HG002910000		LAMP				*		1	
46		HA002900000		DIP SWITCH				*		1	
47		HX00114000A		KNOB				*		1	
48		MA014506000		SWITCH				*		1	
49		HA00191001C		SWITCHKNOBBLACK				*		1	
50		GBR10786000		PANEL BOX				*		1	
51		HA001910000		PUSH SWITCH 3 TERMINAL				*		2	
52		SL4030681SC		SCREW M3 L=6				*		3	
53		GBR10782000		PANEL BOX BACK COVER				*		1	
54		GBR107870A0		VOLUME ASM.				*		1	
55		EA9500B0100		CABLE BAND				*		1	
56		GBR30788000		SHEEL				*		1	
57		SL4041091SC		SCREW M4 L=10				*		1	
58		SM6040802TN		SCREW				*		1	
59		CM300100101		DANGER LABEL (SMALL)	FOR USE IN JAPAN					1	

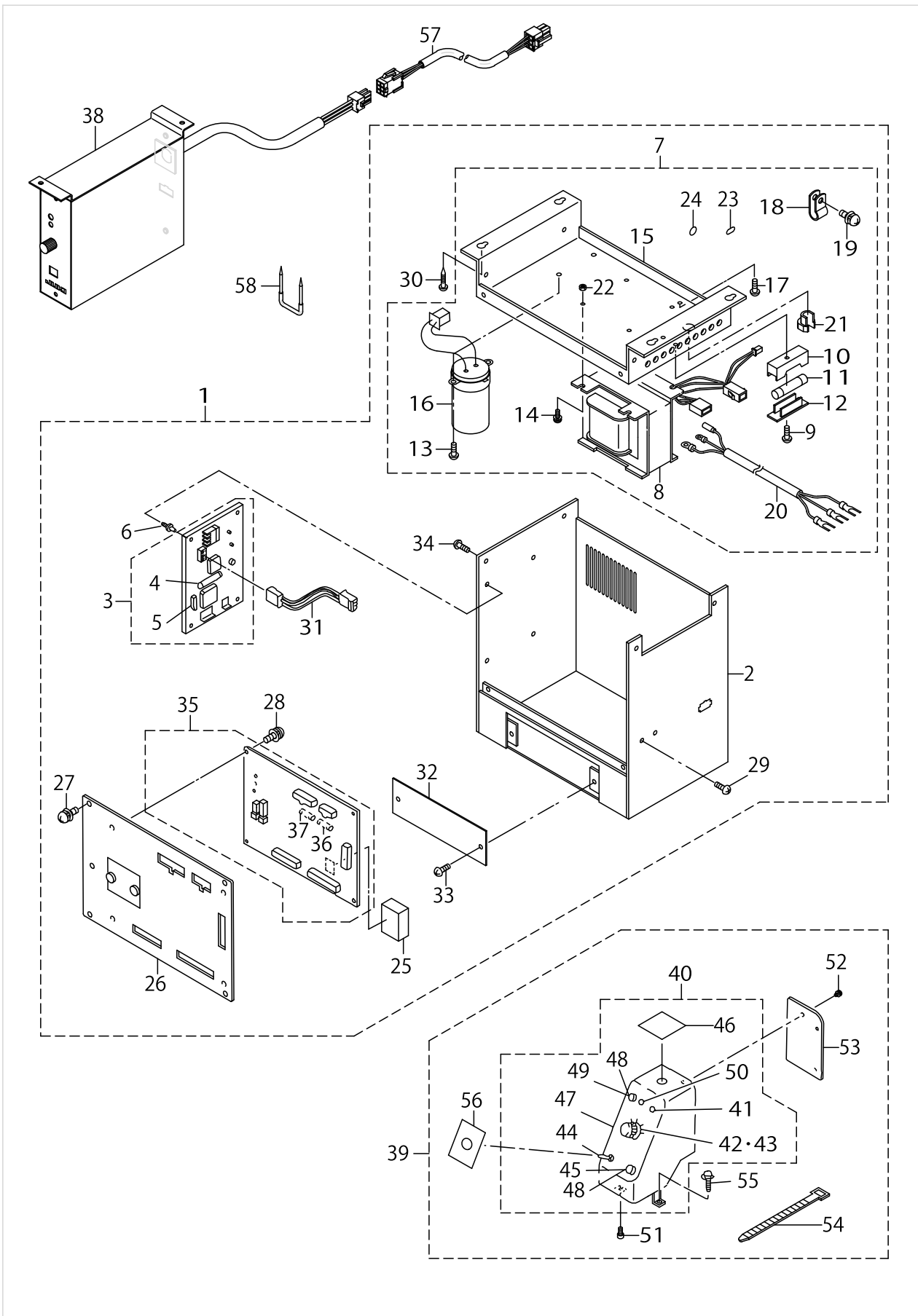
BR CONTROL BOX COMPONENTS (FOR EUROPE)



## BR CONTROL BOX COMPONENTS (FOR EUROPE)

No.	Supply Code	Parts No.	Replacement	Parts name	Remarks	Choice	Step	Level	Cons	Qty	Rep. QTY
1		40014526		CONTROLBOXCAS.						1	
2		GBR107240AC		CONTROL BOX FRA- ME BODY C ASM.				*		1	
3	R	GBR107610A0	40046093	POWER BOARD		A		*		1	1.00
3	R	GBR107610A0	40058552	POWER BOARD		A		*		1	1.00
4		E9613601000		FUSE 2A				*		1	
5		HA002980000		BREAKER 5A				*		1	
6		HX00228000A		SPACER				*		4	
7		GBR107460AC		TRANS BASE C COMPLE.				*		1	
8		GBR107480AC		TRANS C ASM.				*		1	
9		SM4041001SC		SCREW M4X0.7 L=10				*		1	
10		HF005111000		FUSE HOLDER				*		1	
11		E9613601000		FUSE 2A				*		1	
12	D	HF00511100B		FUSEHOLDERCOVER				*		1	
13		SL4030681SC		SCREW M3 L=6				*		2	
14		SL4041291SC		SCREW M4 L=12				*		4	
15	D	GBR10747000		TRANSFORMER BASE				*		1	
16	R	GBR107430A0	40058552	CONDENSER ASM.		A		*		1	1.00
16	R	GBR107430A0	40046093	CONDENSER ASM.		A		*		1	1.00
17		SL4040891SC		SCREW M4 L=8				*		3	
18		HX00150000B		CABLE CLIP				*		1	
19		SL4030881SC		SCREW M3X8				*		1	
20	D	GBR107440A0		AC INPUT POWER CABLE CORD ASM.				*		1	
21		HX000980000		CORD BUSH				*		1	
22		NM6040001SF		NUT M4				*		4	
23		CM200100001		PE MARK LABEL				*		1	
24	R	10004109	22901805	GROUND MARK				*		1	1.00
25		HL008730143		IC				*		1	
26		GBR207340A0		CONTROL BOX FRA- ME COVER ASM.				*		1	
27		SL4040891SC		SCREW M4 L=8				*		4	
28		SL4030681SC		SCREW M3 L=6				*		4	
29		SL4040891SC		SCREW M4 L=8				*		2	
30		SK3452501SE		SCREW D=4.5 L=25				*		4	
31		GBR107720A0		CPU BOARD POWER CORD ASM.				*		1	
32		GBR10726000		BLIND PLATE				*		1	
33		SM5040601SC		SCREW M4X0.7 L=6				*		2	
34		SL4040891SC		SCREW M4 L=8				*		4	
35	R	GBR107510A0	40058552	CPU BOARD ASM.		A	BR-10	*		1	1.00
35	R	GBR107510A0	40049608	CPU BOARD ASM.		A	BR-10	*		1	1.00
35	R	GBR107510A0	40058552	CPU BOARD ASM.		B	BR-35	*		1	1.00
35	R	GBR107510A0	40044386	CPU BOARD ASM.		B	BR-35	*		1	1.00
35	R	GBR107510A0	40063649	CPU BOARD ASM.		C	BR-20, BR-25, BR-30	*		1	1.00
36		HF0084020P0		FUSE 2A				*		1	
37		HF0084063P0		FUSE				*		1	
38		GBR108010A0		P/F CONTROLLER ASM.						1	
39		40016644		OPERATION PANEL WHOLE ASM. C						1	

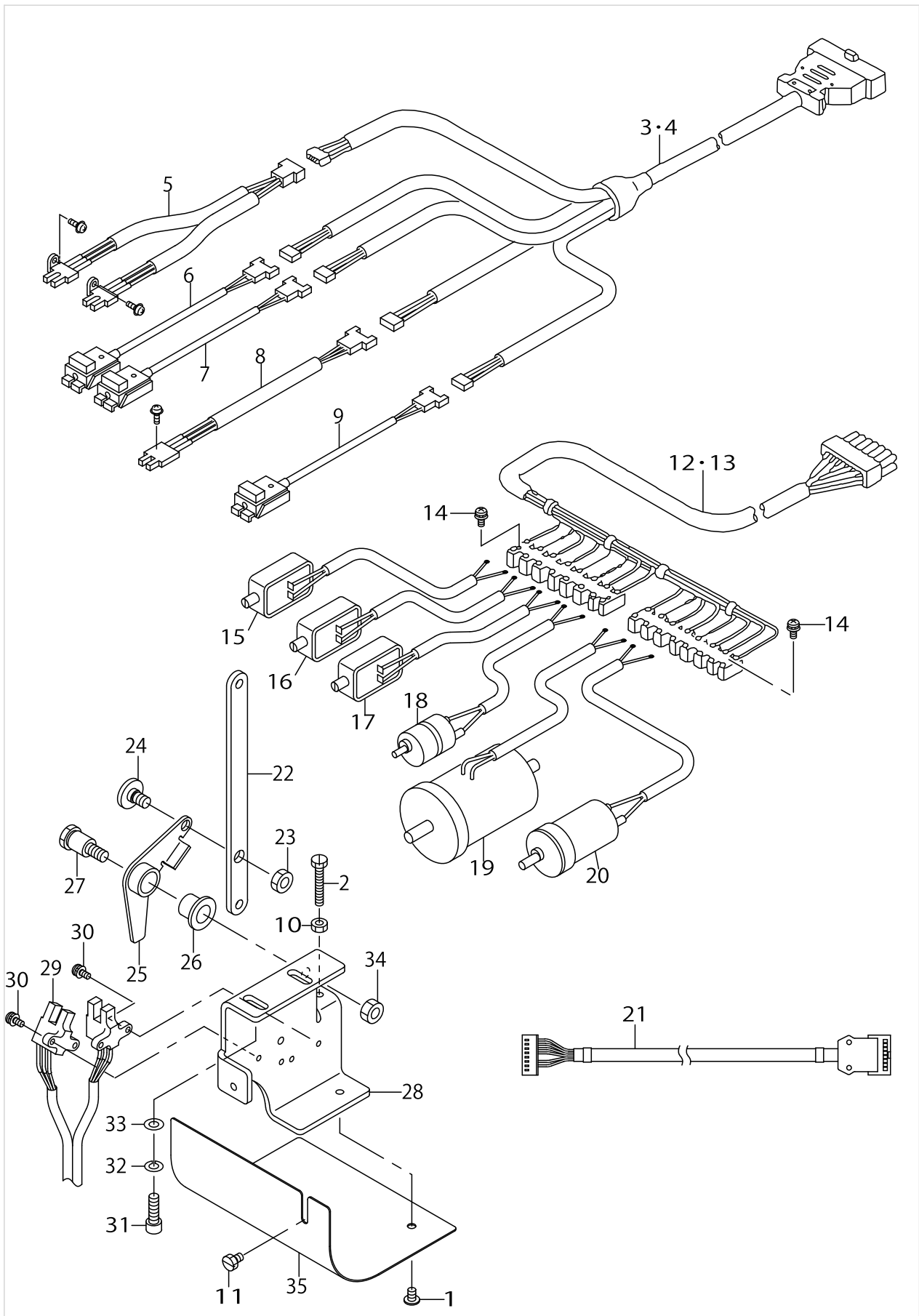
BR CONTROL BOX COMPONENTS (FOR EUROPE)



## BR CONTROL BOX COMPONENTS (FOR EUROPE)

No.	Supply Code	Parts No.	Replacement	Parts name	Remarks	Choice	Step	Level	Cons	Qty	Rep. QTY
40		GBR107850AC		PANEL C ASM.				*		1	
41	D	HG002910000		LAMP				*		1	
42		HA002900000		DIP SWITCH				*		1	
43		HX00114000A		KNOB				*		1	
44		MA014506000		SWITCH				*		1	
45		HA00191001C		SWITCHKNOBBLACK				*		1	
46		GBR10728000		BLANK STICKER B				*		1	
47		GBR10786000		PANEL BOX				*		1	
48		HA001910000		PUSH SWITCH 3 TERMINAL				*		2	
49		HA00191001B		OPERATION BUTTON				*		1	
50		HG00291000A		LED (GREEN)				*		1	
51		SM6040802TN		SCREW				*		1	
52		SL4030681SC		SCREW M3 L=6				*		3	
53		GBR10782000		PANEL BOX BACK COVER				*		1	
54		EA9500B0100		CABLE BAND				*		1	
55		SL4041091SC		SCREW M4 L=10				*		1	
56		GBR30788000		SHEEL				*		1	
57		GBR250810A0		CABLE ASM.						1	
58		MA011532000		CORD STAPLE						4	

BR POWER SUPPLY COMPONENTS

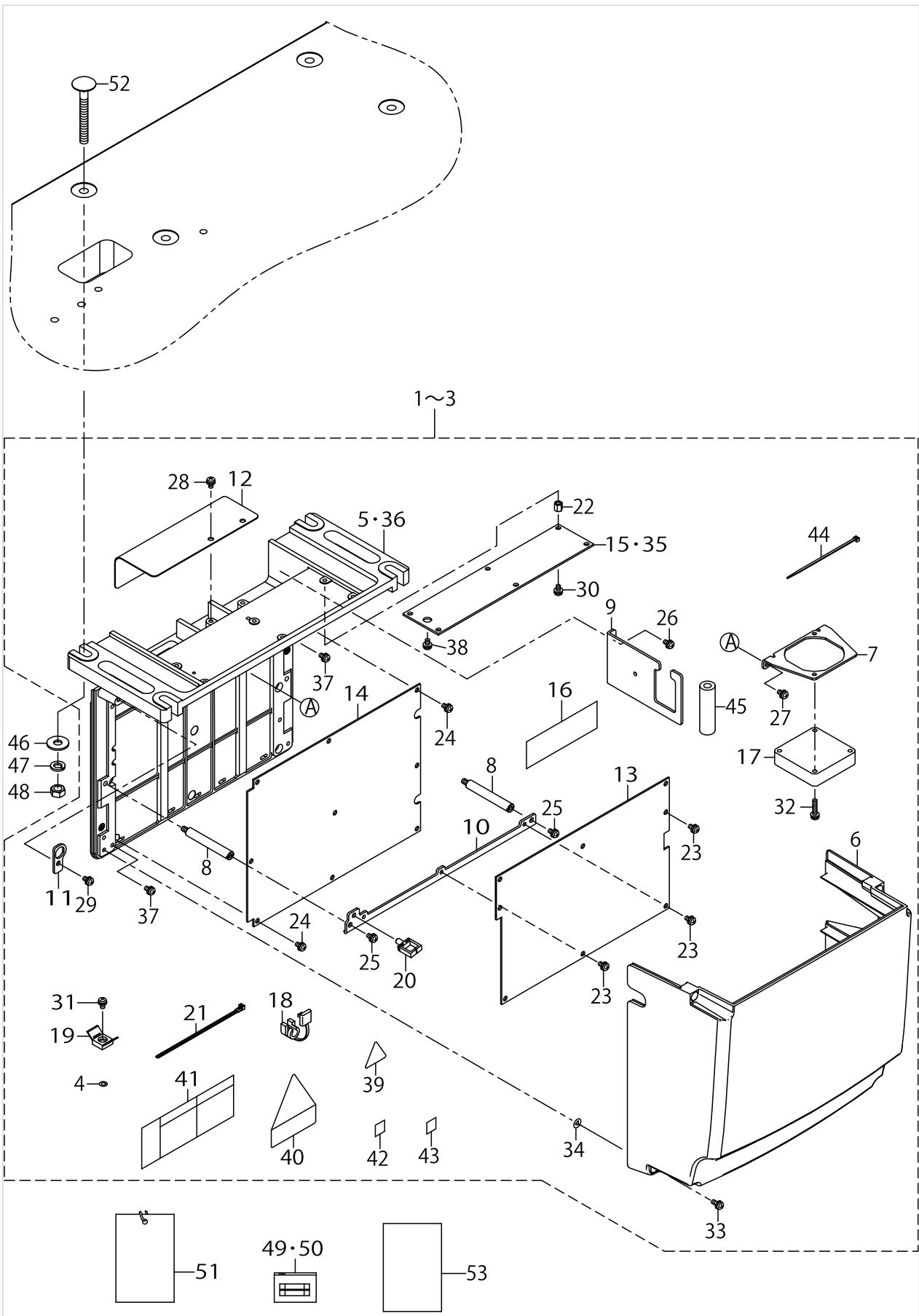


BR POWER SUPPLY COMPONENTS

No.	Supply Code	Parts No.	Replacement	Parts name	Remarks	Choice	Step	Level	Cons	Qty	Rep. QTY
1		SM0040601SC		SCREW M4X0.7 L=6						1	
2	D	SM9042510SC		SCREW M4X0.7 L=25						1	
3		GBR108460A0		SENSOR CONNECTING CABLE ASM.	FOR USE IN JAPAN AND GENERAL EXPORT					1	
4		GBR108460AC		SENSOR CONNECTING CABLE ASM.	FOR EUROPE					1	
5	R	GBR108420A0	GBR108410B0	START SWITCH ASM.		A	JE以外/Except JE			1	1.00
5	R	GBR108420A0	GBR108410BC	START SWITCH ASM.		B	JE			1	1.00
6		GBR108430A0		RUB COMPLETION SWITCH ASM.						1	
7		GBR108440A0		BUTTON SENSOR SWITCH ASM.						1	
8	R	GBR108470A0	40084371	TURNING ARM HOME POSITION SENSOR ASM.						1	1.00
9		GBR108450A0		INDEX STARTING SWITCH ASM.						1	
10		NM6040001SC		NUT M4						1	
11		SM9040600SP		HEAXGON BOLT						1	
12		GBR108580A0		STARTING MAGNET CABLE ASM.	FOR USE IN JAPAN AND GENERAL EXPORT					1	
13		GBR108580AC		STARTING MAGNET CABLE ASM.	FOR EUROPE					1	
14		SL4030881SC		SCREW M3X8						2	
15		GBR10852000		MAGNET						1	
16		GBR10853000		MAGNET						1	
17		GBR10854000		MAGNET						1	
18		GBR108550A0		DC MOTOR ASM.						1	
19	R	GBR108590A0	HM000670000	DC MOTOR ASM.						1	1.00
20		GBR108560A0		DC MOTOR ASM.						1	
21		40012037		LKA-BR RELAY CABLE ASM.						1	
22		40014219		SWITCH LINK						1	
23		NS6150430SP		NUT 15/64-28						1	
24		SD0700332SP		HINGE SCREW D=7 H=3.5						1	
25		18219907		TWO-STEP SWITCH LEVER						1	
26		16583403		METAL						1	
27		16582504		SCREW						1	
28		16582603		SWITCH BRACKET						1	
29	R	GBR108420A0	GBR108410B0	START SWITCH ASM.		A	JE以外/Except JE			1	1.00
29	R	GBR108420A0	GBR108410BC	START SWITCH ASM.		B	JE			1	1.00
30		SL4030881SC		SCREW M3X8						4	
31		SM6051602TP		SCREW M5X0.8 L=16						2	
32		WS0510002KN		SPRING WASHER						2	
33		WP0531000SC		WASHER 5.3X10X1						2	
34		NM6060001SC		NUT M6						1	
35		16582702		SWITCH COVER						1	



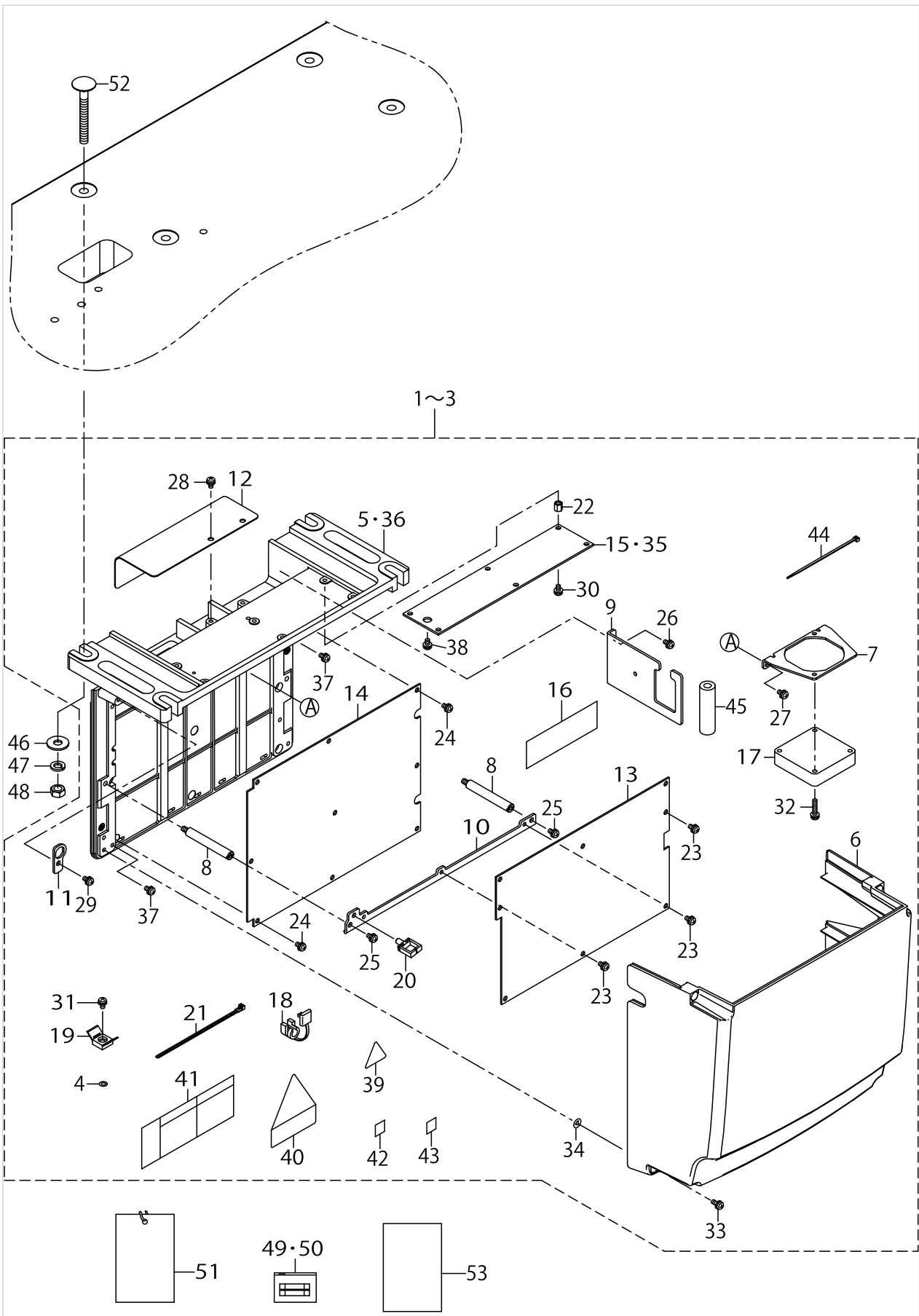
CONTROL BOX COMPONENTS



CONTROL BOX COMPONENTS

No.	Supply Code	Parts No.	Replacement	Parts name	Remarks	Choice	Step	Level	Cons	Qty	Rep. QTY
1		40142663		CTL BOX A ASM.	FOR 1-PH-ASE 220~240V					1	
2		40142664		CTL BOX B ASM.	FOR 3-PH-ASE 200~240V					1	
3		40142665		CTL BOX C ASM.	FOR 1-PH-ASE CE 220~240V					1	
4		WP0430800SC		WASHER M4	FOR 3-PH-ASE 200~-240V, 1-P-HASE CE 2-20~240V			*		1	
5		40143989		FRAME B	FOR 3-PH-ASE 200~-240V, 1-P-HASE CE 2-20~240V			*		1	
6		40114136		COVER				*		1	
7		40115874		FAN PLATE				*		1	
8		40143990		STUD				*		2	
9		40115876		PLATE B				*		1	
10		40115877		MAIN PLATE				*		1	
11		40115878		PLATE C				*		1	
12		40115879		FAN COVER				*		1	
13		40137360		MAIN PCB ASSY				*		1	
14		40142267		SDC PCB ASSY				*		1	
15		40105465		FLT-T PCB ASSY	FOR 3-PH-ASE 200~240V			*		1	
16		40114398		MAIN COOL SHEET				*		2	
17		40111214		FAN MOTOR ASSY				*		1	
18		KX000000320		BUSH				*		1	
19		KX000000260		SADDLE TYPE TIE MOUNT				*		1	
20		HX00222000D		WIRE SADDLE				*		1	
21		HX00292000A		CONNECTING PART				*		1	
22		HX00339000M		SPACER	FOR 3-PH-ASE 200~-240V, 1-P-HASE CE 2-20~240V			*		6	
23		SL4040881SC		SCREW M4 L=8				*		8	
24		SL4040881SC		SCREW M4 L=8				*		4	
25		SL4040881SC		SCREW M4 L=8				*		2	
26		SL4040881SC		SCREW M4 L=8				*		2	
27		SL4040881SC		SCREW M4 L=8				*		2	
28		SL4040881SC		SCREW M4 L=8				*		2	
29		SL4040881SC		SCREW M4 L=8				*		1	
30		SL4040881SC		SCREW M4 L=8	FOR 3-PH-ASE 200~-240V, 1-P-HASE CE 2-20~240V			*		6	
31		SL4040881SC		SCREW M4 L=8				*		1	
32		SL4042091SC		SCREW M4X0.7 L=20				*		2	
33		SL4041281SC		SCREW M4X0.7 L=12				*		4	
34		M8002430000		STOPPER				*		4	
35	R	40105475	40145901	FLT-CE PCB ASSY	FOR 1-PH-ASE CE 220~240V			*		1	1.00

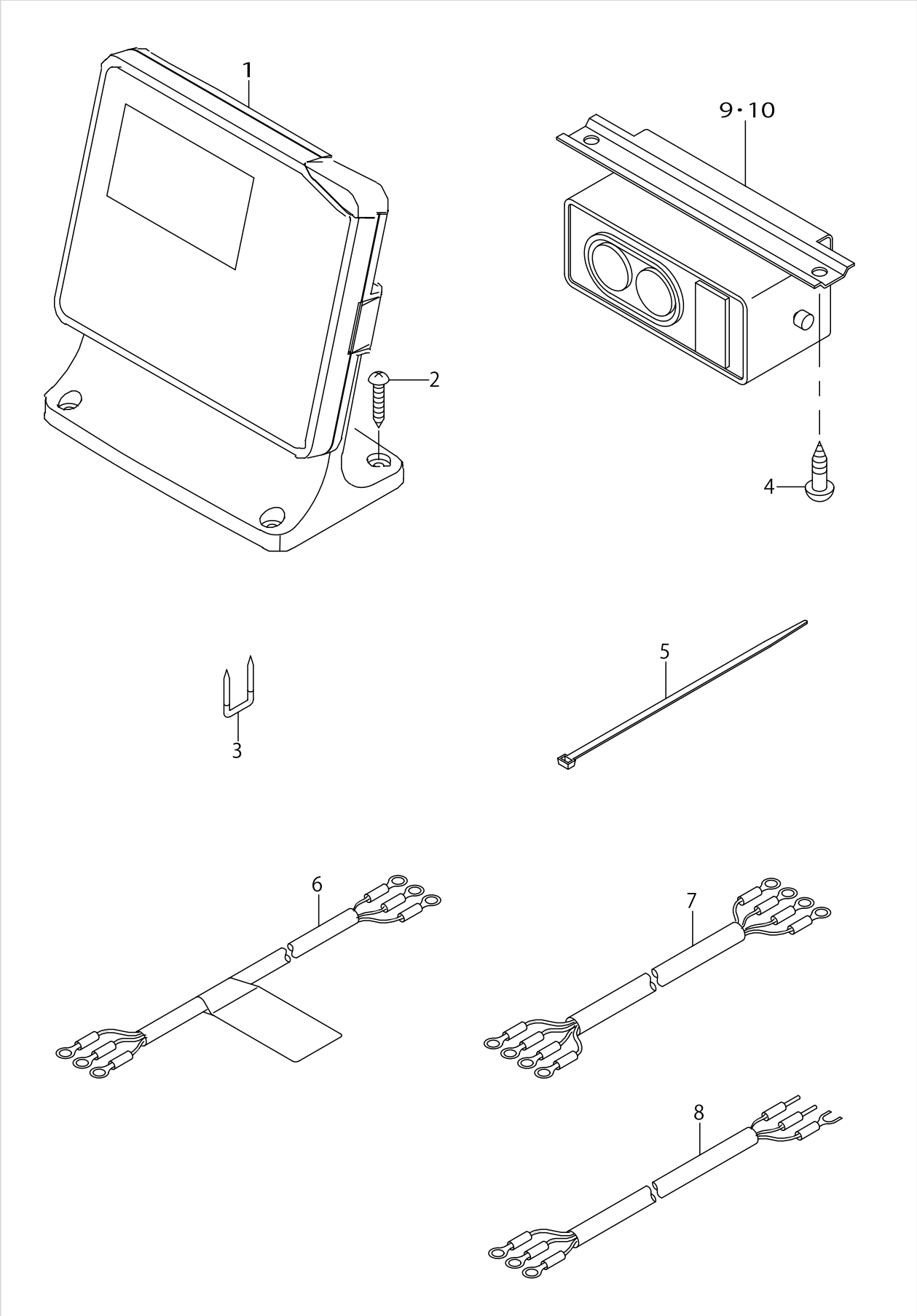
CONTROL BOX COMPONENTS



CONTROL BOX COMPONENTS

No.	Supply Code	Parts No.	Replacement	Parts name	Remarks	Choice	Step	Level	Cons	Qty	Rep. QTY
36		40143988		FRAME A	FOR 1-PH-ASE 220~240V			*		1	
37		SL4040881SC		SCREW M4 L=8				*		3	
38		SL4030881SC		SCREW M3 L=8	FOR 3-PH-ASE 200~240V			*		1	
39		CM300100001		LABEL	FOR 1-PH-ASE 220~-240V, 1-P-HASE CE 2-20~240V, 1-PHASE 220~240V (FOR CHINA)			*		1	
40		CM300400602		VOLTAGE CAUTION LABEL L=25				*		1	
41		CM300100402		VOLTAGE DANGER LABEL 3 (SMALL)	FOR 3-PH-ASE 200~240V			*		1	
42		CM600100101		WEEE MARK LABEL S	FOR 1-PH-ASE CE 220~240V			*		1	
43		40116677		GOST SAFTY LABELS	FOR 1-PH-ASE CE 220~240V			*		1	
44		EA9500B0100		CABLE BAND				*		1	
45	D	E8760452S00		TUBE				*		0.-055	
46		WP0852086SC		WASHER M8						4	
47		WS0820002KR		SPRING WASHER M8						4	
48		NM6080002SC		NUT M8						4	
49		HF0013050P0		FUSE 5A						1	
50		HF003000200		FUSE 2A (220/240V)						1	
51		M300451100A		VOLTAGE INDICATION CARD A						1	
52		MTSHJ100003		BOLT						4	
53		40144511		CORE SET UP MANUAL						1	

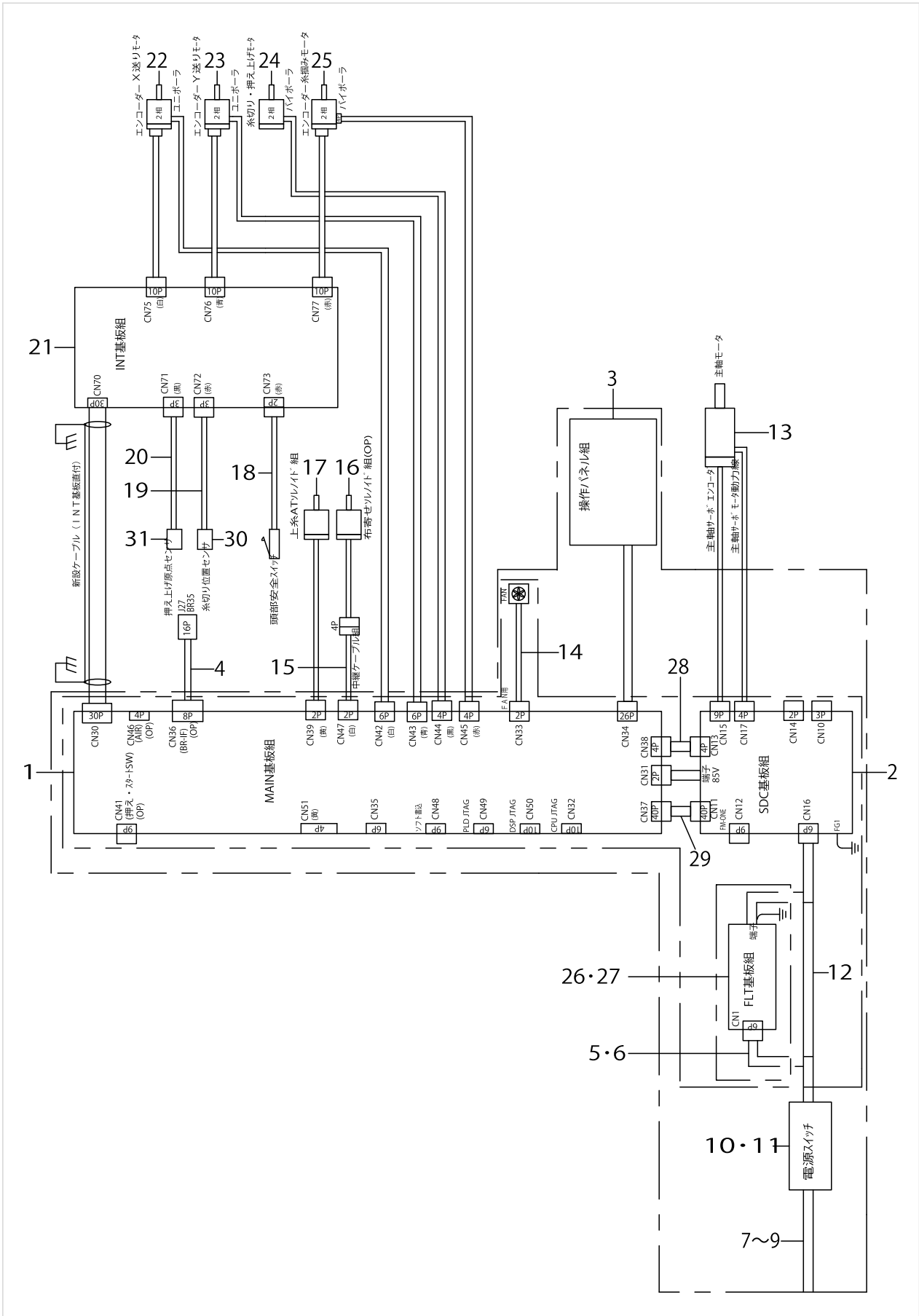
OPERATION PANEL COMPONENTS



OPERATION PANEL COMPONENTS

No.	Supply Code	Parts No.	Replacement	Parts name	Remarks	Choice	Step	Level	Cons	Qty	Rep. QTY
1		40142272		OPERATION BOX ASSY						1	
2		SK3382001SE		SCREW D=3.8 L=20						4	
3		MA011532000		CORD STAPLE						2	
4		SK3512001SE		WOOD SCREW D=5.1 L=20						2	
5		EA9500B0200		CABLE BAND 150						2	
6		40023371		SINGLE PHASE POWER CORD ASSY	FOR 1-PH-ASE 200~240V					1	
7		M90175800A0		POWER CABLE ASM.	FOR 3-PH-ASE 200~240V					1	
8		40005390		JE POWER CABLE ASM.	FOR 1-PH-ASE CE200~240V					1	
9		40113427		POWER SWITCH	FOR 1-PH-ASE 200~240V					1	
10		HA004250000		SWITCH	FOR 3-PH-ASE 200~240V					1	

WIRING DIAGRAM

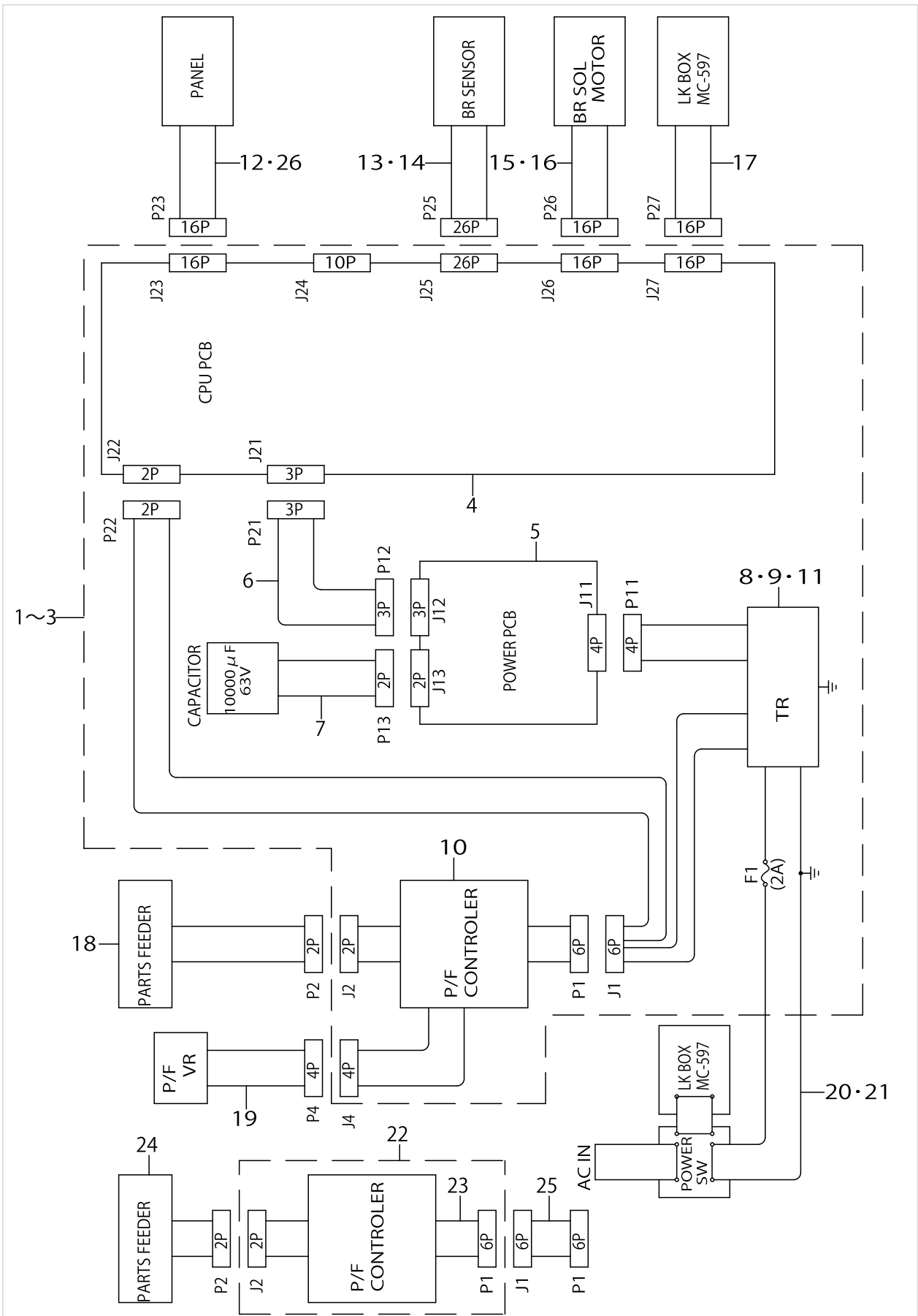


WIRING DIAGRAM

No.	Supply Code	Parts No.	Replacement	Parts name	Remarks	Choice	Step	Level	Cons	Qty	Rep. QTY
1		40137360		MAIN PCB ASSY						1	
2		40142267		SDC PCB ASSY						1	
3		40142272		OPERATION BOX ASSY						1	
4		40012037		LKA-BR RELAY CABLE ASM						1	
5		40141488		AC POWER CORD B ASM.	3-PHASE 200~240V (FOR USE IN JAPAN AND JA)					1	
6		40141489		AC POWER CORD C ASM.	1-PHASE 200~240V (FOR CE)					1	
7		M90175800A0		POWER CABLE ASM.	3-PHASE 200~240V (FOR USE IN JAPAN AND JA)					1	
8		40005390		JE POWER CABLE ASM.	1-PHASE 200~240V (FOR CE)					1	
9		40023371		SINGLE PHASE POWER CORD ASSY	1-PHASE 200~240V (FOR GENERAL EXPORT AND CHINA) (					1	
10		HA004250000		SWITCH	3-PHASE 200~240V (FOR USE IN JAPAN AND JA)					1	
11		40113427		POWER SWITCH	1-PHASE 200~240V (FOR GENERAL EXPORT AND CHINA) (					1	
12		40141487		AC POWER CORD A ASM.	1-PHASE 200~240V (FOR GENERAL EXPORT AND CHINA) (					1	
13		40138137		IPM550W MOTOR						1	
14		40111214		FAN MOTOR ASSY						1	
15		40005728		SOLENOID RELAY CABLE ASM.						1	
16		40006912		SOLENOID FOR PICK UP ASM.						1	
17		40142273		AT SOLENOID						1	
18		40006495		SAFETY_SW_ASM.						1	
19		40142747		TT SENSOR CABLE ASM.						1	
20		40005732		PF SENSOR CABLE ASM.						1	
21		40137370		INT PCB ASM.						1	
22		40139176		X FEED MOTOR						1	
23		40139177		Y FEED MOTOR						1	
24		40139178		PRESSER LIFTING MOTOR						1	
25		40139179		THREAD CLAMP MOTOR						1	
26		40105465		FLT-T PCB ASSY	3-PHASE 200~240V (FOR USE IN JAPAN AND JA)					1	
27	R	40105475	40145901	FLT-CE PCB ASSY	1-PHASE 200~240V (FOR CE)					1	1.00
28		40114373		SDC-MAIN P1 CORD ASM.						1	
29		40114375		SDC-MAIN S CORD ASM.						1	
30		HD002230000		PHOTO SENSOR						1	
31		HD00057000A		PHOTO SENSOR						1	



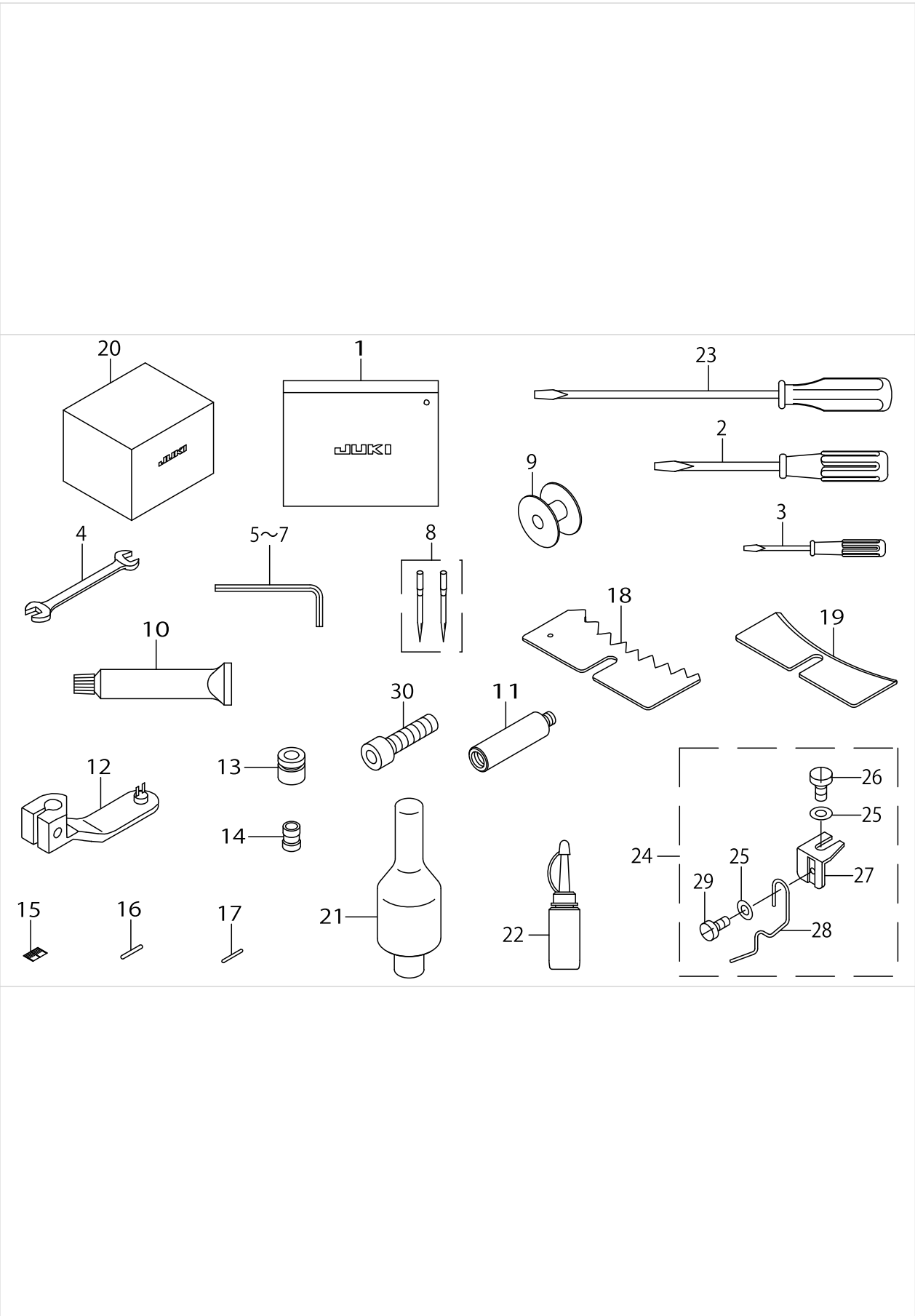
BR35 WIRING DIAGRAM



BR35 WIRING DIAGRAM

No.	Supply Code	Parts No.	Replacement	Parts name	Remarks	Choice	Step	Level	Cons	Qty	Rep. QTY
1		40014495		CONTROLBOXAASM.	FOR 100~200V					1	
2		40014506		CONTROLBOXBASM.	FOR 220~240V					1	
3		40014526		CONTROLBOXCASM.	FOR CE					1	
4	R	GBR107510A0	40058552	CPU BOARD ASM.		A	BR-10	*		1	1.00
4	R	GBR107510A0	40049608	CPU BOARD ASM.		A	BR-10	*		1	1.00
4	R	GBR107510A0	40058552	CPU BOARD ASM.		B	BR-35	*		1	1.00
4	R	GBR107510A0	40044386	CPU BOARD ASM.		B	BR-35	*		1	1.00
4	R	GBR107510A0	40063649	CPU BOARD ASM.		C	BR-20,BR-25,BR-30	*		1	1.00
5	R	GBR107610A0	40046093	POWER BOARD		A		*		1	1.00
5	R	GBR107610A0	40058552	POWER BOARD		A		*		1	1.00
6		GBR107720A0		CPU BOARD POWER CORD ASM.				*		1	
7	R	GBR107430A0	40058552	CONDENSER ASM.		A		*		1	1.00
7	R	GBR107430A0	40046093	CONDENSER ASM.		A		*		1	1.00
8		GBR107480AA		TRANS A ASM.	FOR 100~200V			*		1	
9		GBR107480AB		TRANS B ASM.	FOR 220~240V			*		1	
10		GBR107740A0		P/F CONTROLLER ASM.	EXCEPT CE			*		1	
11		GBR107480AC		TRANS C ASM.	FOR CE			*		1	
12		GBR30784AA0		OPERATION PANEL WHOLE ASM. (A)	EXCEPT CE					1	
13		GBR108410BC		SENSOR CONNECTING CABLE ASM.	FOR CE					1	
14		GBR108410B0		BR SENSOR ASM.	EXCEPT CE					1	
15		GBR108510AC		BR DRIVING SOURCE ASM.	FOR CE					1	
16		GBR108510A0		BR DRIVING SOURCE ASM.	EXCEPT CE					1	
17		40012037		LKA-BR RELAY CABLE ASM.						1	
18		GBR107910A0		PARTS FEEDER ALL ASM.	EXCEPT CE					1	
19		GBR107870A0		VOLUME ASM.	EXCEPT CE					1	
20	D	GBR107440A0		AC INPUT POWER CABLE CORD ASM.	FOR 220~240V,CE					1	
21		GBR107450A0		AC INPUT POWER CABLE CORD ASM.	FOR 100~200V					1	
22		GBR108010A0		P/F CONTROLLER ASM.	FOR CE					1	
23	D	GBR108210A0		P/F POWER CORD ASM.	FOR CE			*		1	
24		GBR107910AC		PARTS FEEDR ALL C ASM.	FOR CE					1	
25		GBR250810A0		P/F CONTROLLER RELAY CABLE ASM.	FOR CE					1	
26		GBR250610AC		OPERATION PANEL WHOLE ASM. C	FOR CE					1	

ACCESSORIE PARTS COMPONENTS



ACCESSORIE PARTS COMPONENTS

No.	Supply Code	Parts No.	Replacement	Parts name	Remarks	Choice	Step	Level	Cons	Qty	Rep. QTY
1		22932800		ACCESSORIE BAG						1	
2		22933105		SCREW DRIVER MIDDLE						1	
3		22933204		SCREW DRIVER SMALL						1	
4		B9113012000		WRENCH (9X10)						1	
5		B9140372000		HEXAGONAL WRENCH SMALL						1	
6		B9141372000		HEXAGONAL WRENCH LARGE						1	
7		GCT02906000		HEXAGONAL SPANNER						1	
8	R	MDP170B1402	MDP170B1400	NEEDLE DPX17#14-2					☆	1	1.00
9		13812102		BOBBIN						1	
10		40013640		JUKI_GREASE_B_TUBE					☆	1	
11		40036110		GREASE_JOINT_B						1	
12		16558009		BUTTON CARRIER B						1	
13		16558108		RING SMALL						1	
14		18200501		WORK ATTACHMENT (SMALL)					☆	3	
15		18204701		SCALE						4	
16		GBR01155000		SET PIN A						6	
17		GBR01156000		SET PIN B						4	
18		GBR01423000		SELECTOR PLATE MEDIUM						1	
19		GBR01437000		AUXILIARY PLATE						1	
20		40048664		HEAD_COVER						1	
21		14101208		HEAD SUPPORT BAR						1	
22		B91212200A0		OILER (CONTAINING NO.2 OIL)						1	
23		22933006		SCREW DRIVER LARGE						1	
24		14146757		BUTTON RISING BAR ASM.						1	
25		WP0370316SD		WASHER 3.7X8X0.3					*	2	
26		SS9090813TP		SCREW 9/64-40 L=8					*	1	
27		14146807		INSTALLING BASE					*	1	
28		14146708		BUTTON RISING BAR					*	1	
29		SS6080340SP		SCREW 1/8-44 L=2.9					*	1	
30		SM6083002TN		SCREW M8 L=30						1	

LIST FOR INFORMATION OF CHANGE

As to the place changed, refer to the corresponding Rev.No.  
When previous parts(Obsoleted part)and new parts(Added parts)are  
not interchangeable with each other:  
In this case,even obsoleted parts(D.)can be ordered with the  
obsoleted part number,so select the parts with changed dates and  
place your orders.

変更箇所は,該当Rev.No.版をご参照ください。  
部品の互換性がない変更の場合は,削除された品番でも,ご注文できます。  
\*\*\*\*\*

No.1655-01・・・Rev.No.

\*A:Added parts追加部品/D:Obsoleted parts削除部品/E:Erratum訂正

* A	Rev. No.	Page 頁	Ref. No.	Parts No. 品番	* D	Rev. No.	Page 頁	Ref. No.	Parts No. 品番
	00	8	36	SD-0500301-SP		01	8	36	SD-0500404-SP

## HOW TO MAKE USE OF THIS PARTS LIST

### 1.Explanation of codes

1)"\*"mark.....means this part is changed from the previous parts book.

As to the details of the change, refer to the "List for information of change".

2)"#01".....refer to "Note" explanation at bottom of page.

### 2.Codes on the "Qty" column

- Each numeral indicates the number of parts required.
- "0.1" and "2.5" indicate the length (in meters) of the respective parts.

3.Parentheses mean that the corresponding part is a subpart that constructs an assembly part.

4.Dotted lines on the Figures indicate assembly parts.

5.As to the parts with marks of "☆"(consumable parts) and "◎"(optional parts)on the respective parts, it is recommended to prepare spares.

### 1 ."注記"欄の記号説明

1) "\*"印.....前回のパーツブックに比較して今回変更された部品を意味します。

変更内容は、"変更情報リスト"を参照してください。

2) "#01".....ページ下の"注記"の説明を参照してください。

2.数量欄の数字は、個数を表し、0.1、2.5等の数値は、長さ（単位メートル）を表します。

3.数量欄の（ ）は、組部品を構成している子部品であることを意味します。

4.イラストページの-----枠は、組構成であることを意味します。

5.リストページの"☆"（消耗部品）、"◎"（オプション部品）の印がついた部品は、予備を準備しておくことをお奨めします。

# NUMERICAL INDEX OF PARTS

PART NO	PAGE	REF NO.	PART NO	PAGE	REF NO.	PART NO	PAGE	REF NO.
10004109	42	24	16552309	18	21	16566507	24	1
11155108	36	62	16552507	16	1	16566606	24	10
11155207	34	32	16552606	16	10	16567000	24	14
11158300	34	7	16553208	16	21	16567166	24	31
11158409	34	8	16553208	24	5	16567802	24	40
11158516	34	11	16553307	16	22	16567901	24	43
11158607	34	9	16554008	16	20	16568206	26	51
11159001	34	14	16554008	24	38	16568404	28	30
11159506	34	30	16554503	16	30	16568602	30	61
13160304	36	56	16556300	18	44	16568651	30	60
13540901	12	29	16556409	18	43	16568909	28	26
13811906	6	12	16556508	20	52	16569204	30	68
13812003	6	11	16556607	18	34	16569501	28	18
13812102	58	9	16556706	16	14	16569600	28	17
13817754	34	13	16556805	16	25	16570103	28	21
13864509	4	14	16557209	16	4	16570202	28	22
14101208	58	21	16557209	26	68	16570301	28	23
14103352	8	18	16557308	18	15	16570509	30	48
14118152	34	3	16557407	18	4	16570608	30	51
14118251	34	4	16557506	16	29	16570707	28	33
14141402	12	7	16557605	16	34	16570905	28	37
14145106	6	1	16557902	18	9	16571408	30	49
14146104	12	6	16558009	58	12	16571606	30	72
14146203	12	4	16558108	58	13	16571804	28	45
14146302	12	9	16558801	18	17	16571903	28	15
14146708	58	28	16559304	16	31	16572000	26	78
14146757	58	24	16559601	16	35	16572406	24	24
14146807	58	27	16560104	22	14	16572505	24	41
14146906	6	10	16560203	22	32	16572703	28	65
14147607	4	15	16560302	22	21	16572703	30	65
14147755	4	11	16561607	22	15	16573008	28	14
14147805	4	21	16561904	22	25	16573305	24	44
14148407	6	3	16562001	22	18	16573701	28	2
14190052	12	1·2	16562001	28	43	16573909	28	46
14190151	12	1·2	16562100	22	23	16574006	24	18
14190300	12	28	16562308	22	20	16574105	24	3
14190458	12	11·12	16562803	22	4	16574204	26	52
14190557	12	16·17	16562902	22	6	16577009	32	1
14191951	34	2	16565301	26	79	16577207	32	33
16550105	16	38	16565400	26	54	16577306	32	20
16550204	18	42	16565509	26	55	16577405	32	22
16550402	18	40	16565707	24	7	16577504	32	11
16550808	18	3	16565905	24	22	16579203	32	19
16551806	18	30	16566002	24	4	16582504	46	27
16551905	18	16	16566408	24	25	16582603	46	28

# NUMERICAL INDEX OF PARTS

PART NO	PAGE	REF NO.	PART NO	PAGE	REF NO.	PART NO	PAGE	REF NO.
16582702	46	35	18217505	24	39	40014216	34	36
16583403	46	26	18217752	16	33	40014217	32	18
16586505	36	49	18217950	22	3	40014219	46	22
17007402	34	10	18218008	30	71	40014220	36	48
18200303	28	29	18218206	16	3	40014221	36	46
18200352	28	27	18218800	18	20	40014495	38	1·2
18200501	18	19	18218909	24	6	40014495	56	1~3
18200501	58	14	18219204	24	37	40014506	38	1·2
18200709	14	52	18219501	28	20	40014506	56	1~3
18200907	30	64	18219600	28	40	40014526	42	1
18200956	30	63	18219709	16	2	40014526	56	1~3
18201103	30	53	18219808	16	12	40016644	42	39
18201608	24	27	18219907	46	25	40018334	4	7
18201905	28	6	18222604	34	43	40018335	4	10
18201962	28	1	18227553	22	9	40023371	52	6
18202002	28	7	18227603	14	51	40023371	54	7~9
18202101	26	76	18227702	16	26	40036110	58	11
18202150	26	74	18227850	16	8	40048664	58	20
18202200	26	77	18227959	18	5	40105465	48	15·35
18202408	32	23	22928808	6	8	40105465	54	26·27
18203307	28	4	22932800	58	1	40105475	48	15·35
18204107	24	34	22933006	58	23	40105475	54	26·27
18204206	28	16	22933105	58	2	40110841	8	7
18204503	28	25	22933204	58	3	40110842	8	8
18204602	32	9	26037903	36	57	40110846	8	19
18204701	58	15	26226506	20	64	40111214	48	17
18204909	26	75	40005390	52	8	40111214	54	14
18205401	18	26	40005390	54	7~9	40113427	52	9·10
18205708	18	12	40005728	54	15	40113427	54	10·11
18205906	18	6	40005732	54	20	40114136	48	6
18206003	18	1	40006475	36	69	40114373	54	28
18206201	20	53	40006495	54	18	40114375	54	29
18206409	18	7	40006525	10	44	40114398	48	16
18206607	18	11	40006912	54	16	40115874	48	7
18206706	16	24	40006935	6	2	40115876	48	9
18206904	16	36	40009859	4	20	40115877	48	10
18207209	22	11	40010424	8	3	40115878	48	11
18207506	22	13	40010425	8	4	40115879	48	12
18207902	16	17	40010426	8	5	40116677	50	43
18209007	14	58	40011949	8	17	40137360	48	13
18209502	24	35	40012037	46	21	40137360	54	1
18212902	30	50	40012037	54	4	40137370	54	21
18213405	28	11	40012037	56	17	40138137	54	13
18213454	28	10	40013452	2	1	40139176	54	22
18213504	28	12	40013640	58	10	40139177	54	23



NUMERICAL INDEX OF PARTS

PART NO	PAGE	REF NO.	PART NO	PAGE	REF NO.	PART NO	PAGE	REF NO.
40139178	54	24	B242328000D	8	23~27	GBR01120000	22	1
40139179	54	25	B242328000E	8	23~27	GBR01155000	58	16
40141487	54	12	B2424280000	8	32	GBR01156000	58	17
40141488	54	5·6	B2548372RA0	12	44	GBR01168000	22	17
40141489	54	5·6	B2549372R00	12	35	GBR01175000	18	46
40142267	48	14	B2553372000	12	32	GBR014220A0	32	26
40142267	54	2	B2560372000	12	33	GBR01423000	58	18
40142272	52	1	B2561372000	12	26	GBR01426000	32	2
40142272	54	3	B2619372000	10	47	GBR01428000	32	14
40142273	54	17	B3052816000	34	45	GBR01437000	58	19
40142663	48	1~3	B55412050A0	2	2	GBR01441000	32	4
40142664	48	1~3	B5542205000	36	63	GBR01601000A	12	42
40142665	48	1~3	B8101210AAB	34	5	GBR01606000	12	39
40142691	8	2	B8105210AAA	34	6	GBR01607000	12	40
40142697	8	12	B8150210000	34	26	GBR107240A0	38	3
40142701	8	11	B8153771000	34	15	GBR107240AC	42	2
40142723	8	20·21	B8202205000	34	41	GBR10726000	42	32
40142724	8	20·21	B9113012000	58	4	GBR10728000	44	46
40142725	8	29	B9121012000	36	54	GBR107430A0	38	19
40142747	54	19	B91212200A0	58	22	GBR107430A0	42	16
40142785	8	1	B9140372000	58	5~7	GBR107430A0	56	7
40142786	8	10	B9141372000	58	5~7	GBR107440A0	38	23·24
40142787	8	13	CM200100001	42	23	GBR107440A0	42	20
40142790	8	14	CM300100001	50	39	GBR107440A0	56	20·21
40142807	8	15	CM300100101	40	59	GBR107450A0	38	23·24
40143988	50	5·36	CM300100402	50	41	GBR107450A0	56	20·21
40143989	48	5·36	CM3002002B1	36	47	GBR107460AA	38	8·9
40143990	48	8	CM300400602	50	40	GBR107460AB	38	8·9
40144511	50	53	CM600100101	50	42	GBR107460AC	42	7
40148338	34	1	D2431555B00	36	61	GBR10747000	38	18
B1114581000	2	3	D2527232D00	6	9	GBR10747000	42	15
B1426771000	22	10	D2548232D00	12	30	GBR107480AA	38	10·11
B185351200E	10	48	D2572M1YC0F	14	45	GBR107480AA	56	8·9·11
B210220500A	4	8	D3130M1YC00	12	21	GBR107480AB	38	10·11
B2107816000	30	56	D6042555B00	32	37	GBR107480AB	56	8·9·11
B2107816000A	24	8	D8113555B00	34	16	GBR107480AC	42	8
B24142800A0	8	37	D8204555D00	34	33	GBR107480AC	56	8·9·11
B24152800A0	8	36	E5006171000	20	57	GBR107510A0	38	28
B2416280000	8	35	E8760452S00	50	45	GBR107510A0	42	35
B2417280000	8	38	E9613601000	38	15	GBR107510A0	56	4
B2418280000	8	34	E9613601000	42	11	GBR107610A0	38	4
B24212800A0	8	33	EA9500B0100	40	55	GBR107610A0	42	3
B242328000A	8	23~27	EA9500B0100	44	54	GBR107610A0	56	5
B242328000B	8	23~27	EA9500B0100	50	44	GBR107720A0	38	35
B242328000C	8	23~27	EA9500B0200	52	5	GBR107720A0	42	31

NUMERICAL INDEX OF PARTS

PART NO	PAGE	REF NO.	PART NO	PAGE	REF NO.	PART NO	PAGE	REF NO.
GBR107720A0	56	6	GBR108590A0	22	27	HF005111000	42	10
GBR107740A0	38	36	GBR108590A0	46	19	HF00511100B	38	14
GBR107740A0	56	10	GBR11109000	20	54	HF00511100B	42	12
GBR10775000	38	37	GBR11110000	20	51	HF0084020P0	38	29
GBR10782000	40	53	GBR11111000	20	55	HF0084020P0	42	36
GBR10782000	44	53	GBR11112000	18	24	HF0084063P0	38	30
GBR107850A0	40	42	GBR11113000	20	66	HF0084063P0	42	37
GBR107850AC	44	40	GBR11114000	20	56	HG002910000	40	45
GBR10786000	40	50	GBR11115000	20	62	HG002910000	44	41
GBR10786000	44	47	GBR207340A0	40	40	HG00291000A	40	44
GBR107870A0	40	54	GBR207340A0	42	26	HG00291000A	44	50
GBR107870A0	56	19	GBR25003000	14	59	HK004440020	32	36
GBR10791000	32	35	GBR25004000	14	57	HK004490020	32	32
GBR107910A0	32	31	GBR25005000	16	41	HL008730140	38	39
GBR107910A0	56	18	GBR25006000	36	58	HL008730143	42	25
GBR107910AC	56	24	GBR25010000	36	71	HX000980000	38	25
GBR108010A0	42	38	GBR250610AC	56	12·26	HX000980000	42	21
GBR108010A0	56	22	GBR250810A0	44	57	HX00114000A	40	46·47
GBR108210A0	56	23	GBR250810A0	56	25	HX00114000A	44	42·43
GBR108410B0	56	13·14	GBR30784AA0	40	41	HX00123000C	4	3
GBR108410BC	56	13·14	GBR30784AA0	56	12·26	HX00150000B	38	21
GBR108420A0	46	29	GBR30788000	40	56	HX00150000B	42	18
GBR108430A0	24	20	GBR30788000	44	56	HX00222000D	48	20
GBR108430A0	46	6	GBR308650A0	36	65	HX00228000A	38	7
GBR108440A0	26	72	GCT02906000	58	5~7	HX00228000A	42	6
GBR108440A0	46	7	GPF060600A0	34	18	HX00292000A	48	21
GBR108450A0	30	66	GPF06080000	34	17	HX003390000	34	44
GBR108450A0	46	9	HA001910000	40	51	HX00339000B	36	52
GBR108460A0	46	3·4	HA001910000	44	48	HX00339000F	36	50
GBR108460AC	46	3·4	HA00191001B	40	43	HX00339000M	48	22
GBR108470A0	46	8	HA00191001B	44	49	KX000000260	48	19
GBR108510A0	56	15·16	HA00191001C	40	49	KX000000320	48	18
GBR108510AC	56	15·16	HA00191001C	44	45	M300451100A	50	51
GBR10852000	16	6	HA002900000	40	46·47	M8002430000	48	34
GBR10852000	46	15	HA002900000	44	42·43	M90175800A0	52	7
GBR10853000	26	50	HA002980000	38	6	M90175800A0	54	7~9
GBR10853000	46	16	HA002980000	42	5	M964051000A	36	67
GBR10854000	26	56	HA004250000	52	9·10	MAO11532000	36	55
GBR10854000	46	17	HA004250000	54	10·11	MAO11532000	44	58
GBR108550A0	20	50	HD000360000	22	28	MAO11532000	52	3
GBR108550A0	46	18	HD00057000A	54	31	MAO14506000	40	48
GBR108560A0	30	47	HD002230000	54	30	MAO14506000	44	44
GBR108560A0	46	20	HF0013050P0	50	49·50	MAZ088270A0	12	38
GBR108580A0	46	12·13	HF003000200	50	49·50	MAZ08828000	12	20
GBR108580AC	46	12·13	HF005111000	38	13	MAZ08829000	12	14

NUMERICAL INDEX OF PARTS

PART NO	PAGE	REF NO.	PART NO	PAGE	REF NO.	PART NO	PAGE	REF NO.
MAZ15502000	6	4·5	RE0300000K0	8	16	SL4041291SC	42	14
MAZ15514000	12	3	RE0700000K0	12	8	SL4042091SC	48	32
MAZ15515000	12	27	RE1200000K0	24	19	SL9082091SE	34	12
MAZ15601000	8	30·31	SB110000400	28	42	SM0040601SA	36	53
MAZ15602000	6	4·5	SB115000400	16	15	SM0040601SC	24	2
MAZ15801000	8	30·31	SD0500091TP	8	40	SM0040601SC	28	3
MAZ16522000	12	10	SD0500404SP	12	36	SM0040601SC	32	34
MAZ166070A0	12	15	SD0550303TP	12	34	SM0040601SC	46	1
MAZ166070B0	12	11·12	SD0600181TP	4	16	SM0861201SA	24	73
MAZ166080A0	12	18	SD0600341TP	16	7	SM0861201SA	26	73
MAZ166080B0	12	16·17	SD0600401TP	16	11	SM0861201SA	30	67
MDP170B1400	10	45	SD0600651TP	20	58	SM1031401SC	20	63
MDP170B1402	58	8	SD0601021SP	16	13	SM1040601SC	30	70
MTSHJ100003	50	52	SD0640261SP	4	17	SM1040650TP	10	46
NM6040001SC	18	47	SD0640391TP	12	25	SM1041201SC	30	69
NM6040001SC	20	47	SD0700332SP	46	24	SM4030601SN	32	25
NM6040001SC	22	5	SD0791276TP	10	49	SM4040801SN	32	12
NM6040001SC	24	66	SK3311601SE	34	64	SM4041001SC	38	12
NM6040001SC	26	66	SK3311601SE	36	64	SM4041001SC	42	9
NM6040001SC	28	24	SK3382001SE	36	68	SM4051001SN	32	15
NM6040001SC	46	10	SK3382001SE	52	2	SM4860501SC	28	8
NM6040001SF	38	26	SK3452501SE	38	34	SM5040601SC	38	38
NM6040001SF	42	22	SK3452501SE	42	30	SM5040601SC	42	33
NM6040003SC	4	12	SK3483201SE	34	35	SM5040855SN	6	13
NM6050001SC	16	23	SK3512001SE	52	4	SM5040855SN	36	70
NM6050001SC	18	14	SL4030681SC	38	52	SM6030500SN	10	43
NM6050001SC	22	7	SL4030681SC	40	52	SM6030602TP	14	53
NM6060001SC	32	5	SL4030681SC	42	52	SM6030802TP	28	57
NM6060001SC	34	40	SL4030681SC	44	52	SM6030802TP	30	57
NM6060001SC	46	34	SL4030881SC	28	5	SM6031202TP	18	8
NM6080001SC	32	27	SL4030881SC	38	22	SM6031402TP	18	38
NM6080002SC	50	48	SL4030881SC	42	19	SM6040650TP	4	1
NM6080721SE	34	25	SL4030881SC	46	30	SM6040802TN	40	58
NM6120003SE	34	27	SL4030881SC	50	38	SM6040802TN	44	51
NS6080210SP	12	41	SL4031081SC	22	29	SM6040802TP	16	39
NS6090310SP	12	43	SL4040881SC	48	37	SM6040802TP	26	63
NS6110310SP	4	23	SL4040881SC	50	37	SM6040802TR	24	13
NS6110360SP	20	65	SL4040891SC	38	33	SM6040802TR	28	34
NS6120310SP	4	19	SL4040891SC	42	34	SM6041002TP	18	31
NS6150310SP	12	31	SL4041091SC	4	4	SM6041002TP	24	47
NS6150430SP	46	23	SL4041091SC	36	66	SM6041002TP	26	47
RC2500001KP	22	2	SL4041091SC	40	57	SM6041002TP	30	55
RE0200000K0	16	5	SL4041091SC	44	55	SM6041202TP	14	56
RE0200000K0	26	69	SL4041281SC	48	33	SM6041202TP	18	27
RE0250000K0	24	42	SL4041291SC	38	17	SM6041202TP	24	62

NUMERICAL INDEX OF PARTS

PART NO	PAGE	REF NO.	PART NO	PAGE	REF NO.	PART NO	PAGE	REF NO.
SM6041202TP	26	62	SM9086523SE	34	31	WP0641600SC	26	53
SM6041202TP	28	38	SS1060210TP	8	39	WP0641600SC	32	6
SM6041402TP	18	35	SS4110815SP	32	3	WP0651646SC	34	39
SM6042002TP	18	23	SS6080340SP	58	29	WP0671016SE	34	20
SM6042502TP	18	41	SS6110430TP	8	42	WP0820516SP	8	6
SM6050802TP	16	37	SS6111052TP	18	25	WP0841601SC	32	28
SM6051202TP	14	60	SS7060310SP	4	22	WP0852086SC	50	46
SM6051202TP	28	54	SS7090410SP	8	22	WP0871602SE	34	28
SM6051202TP	30	54	SS7090410SP	12	19	WS0310002KN	18	39
SM6051402TP	18	10	SS7091480SP	12	37	WS0310002KN	30	58
SM6051602TP	14	50	SS7110740TP	8	41	WS0410002KN	14	49
SM6051602TP	28	41	SS7111120TP	4	9	WS0410002KN	16	40
SM6051602TP	46	31	SS9090813TP	58	26	WS0410002KN	18	60
SM6052002TP	28	31	SS9091010SP	12	5	WS0410002KN	20	60
SM6052502TP	16	18	SS9110460CP	12	22	WS0410002KN	24	67
SM6061202TP	14	46	SS9110543CP	6	6	WS0410002KN	26	67
SM6061602TP	26	70	SS9151120CP	14	54	WS0410002KN	28	35
SM6061802TP	10	50	SS9621413SP	12	23	WS0410002KN	36	51
SM6062002TP	22	33	TA1250705R0	4	2	WS0410002KS	4	13
SM6062502TP	36	59	WP0280500SC	28	9	WS0451040KP	4	6
SM6063002TP	16	27	WP0320500SC	30	59	WS0510002KN	16	19
SM6066552TP	34	37	WP0320500SC	32	24	WS0510002KN	46	32
SM6083002TN	58	30	WP0370316SD	58	25	WS0510002KP	14	62
SM8030402TP	24	30	WP0430800SC	16	16	WS0510002KS	18	13
SM8040402TP	22	30	WP0430800SC	18	49	WS0610002KN	16	28
SM8040402TP	30	52	WP0430800SC	20	49	WS0610002KN	22	34
SM8040602TP	16	32	WP0430800SC	24	65	WS0610002KN	26	71
SM8040602TP	18	18	WP0430800SC	26	65	WS0610002KN	32	7
SM8040602TP	22	22	WP0430800SC	28	36	WS0621210KR	34	21
SM8042502TP	24	11	WP0430800SC	32	13	WS0820002KR	50	47
SM8050502TP	28	13	WP0430800SC	48	4	WS0861410KR	34	29
SM8050602TP	16	9	WP0430801SC	20	59	WZ0640200KP	4	18
SM8050602TP	18	2	WP0450801SD	4	5			
SM8050602TP	22	26	WP0450801SD	32	29			
SM8050602TP	28	44	WP0450846SP	8	28			
SM8050612TP	16	42	WP0501016SD	6	7			
SM8050612TP	22	12	WP0501016SD	12	24			
SM80506A2TP	8	9	WP0531000SC	32	30			
SM8050812TP	22	16	WP0531000SC	46	33			
SM8050842TP	22	31	WP0531000SD	14	48			
SM8086012TP	32	10	WP0611626SP	36	60			
SM9040600SP	46	11	WP0612056SD	34	38			
SM9042510SC	46	2	WP0612516SD	14	55			
SM9061203SE	34	19	WP0621036SP	36	72			
SM9082023SE	34	22	WP0641600SC	22	19			