

MODEL : LU-2810/LU-28107/LU-2860/LU-2860-7/LU-2818-7/LU-2868-7
List No : 1665-02

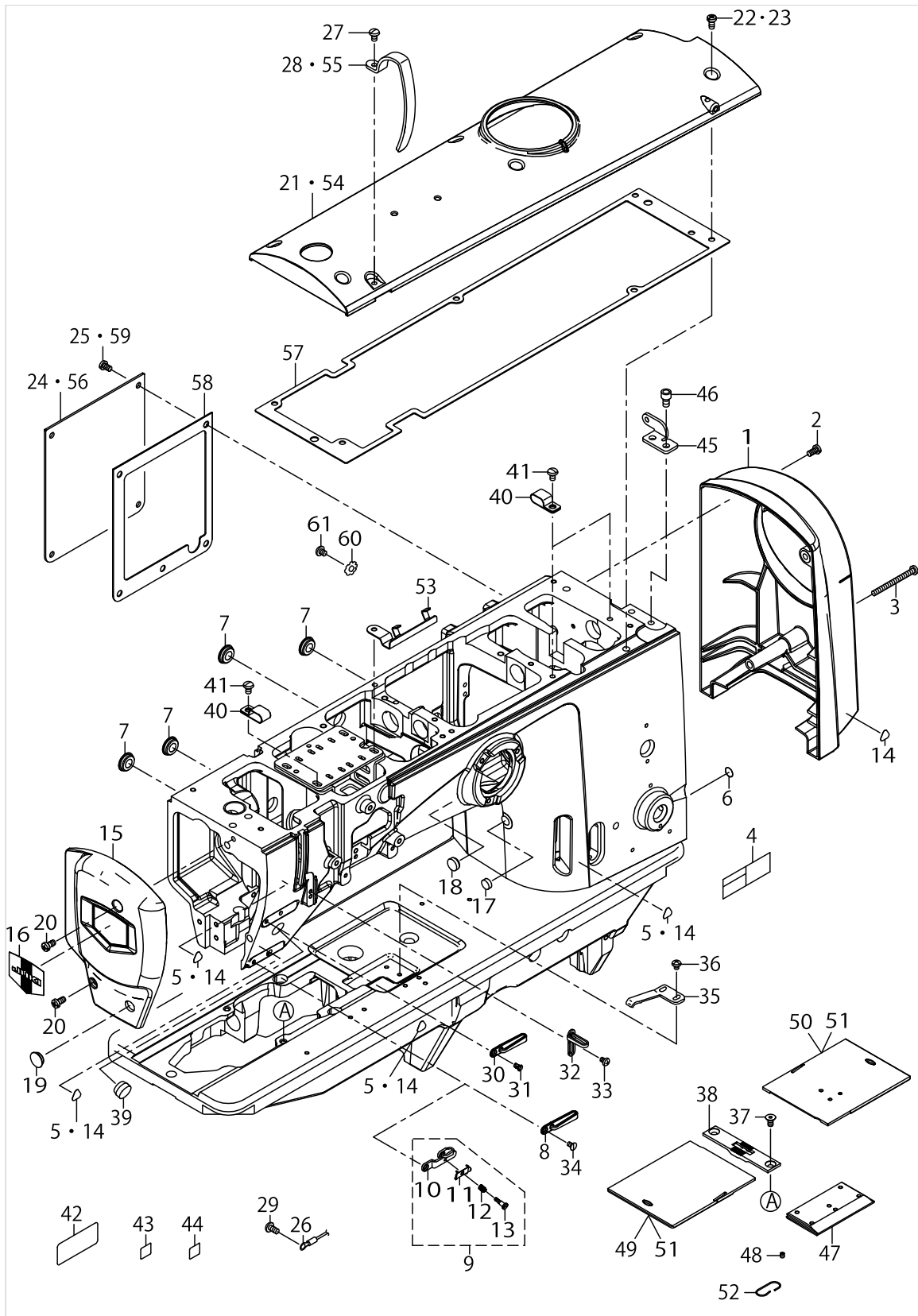
PARTS LIST

Published:05/12/2017

CONTENTS

FRAME & MISCELLANEOUS COVER COMPONENTS	1
MAIN SHAFT & THREAD TAKE-UP LEVER COMPONENTS	5
NEEDLE BAR COMPONENTS	9
LOWER SHAFT COMPONENTS.....	13
OPENNER COMPONENTS	21
HOOK COMPONENTS.....	25
UPPER FEED COMPONENTS.....	31
HAND LIFTER & AUTO LIFTER COMPONENTS.....	37
KNEE LIFTER COMPONENTS (FOR LU-2810,2860).....	39
LOWER FEED COMPONENTS.....	41
FEED ADJUST COMPONENTS (FOR LU-2810,2860,2810-7,2860-7).....	45
FEED ADJUST COMPONENTS (FOR LU-2818-7,2868-7)	51
DL COMPONENTS (FOR LU-2810-7,2860-7,2818-7,2868-7)	57
AUTO BT COMPONENTS (FOR LU-2810-7,2860-7)	59
AUTO BT COMPONENTS (FOR LU-2818-7,2868-7)	61
6-RANGE SW COMPONENTS (FOR LU-2810-7,2860-7,2818-7,2868-7)	63
SPEED ADJUST COMPONENTS (FOR LU-2810-7,2860-7,2818-7,2868-7).....	65
THREAD CUTTING COMPONENTS (FOR LU-2810-7,2860-7,2818-7,2868-7)	67
CONDENSE COMPONENTS (FOR LU-2818-7,2868-7).....	73
THREAD TENSION COMPONENTS (FOR LU-2810,2810-7,2818-7)	75
THREAD TENSION COMPONENTS (FOR LU-2860,2860-7,2868-7)	77
TENSION RELEASE COMPONENTS (FOR LU-2810-7,2860-7,2818-7,2868-7).....	81
PNEUMATIC COMPONENTS (FOR LU-2810-7,2860-7,2818-7,2868-7).....	83
BOBBIN WINDER COMPONENTS.....	85
LUBRICATION COMPONENTS (FOR LU-2810,2810-7,2818-7)	87
LUBRICATION COMPONENTS (FOR LU-2860,2860-7,2868-7)	91
THREAD STAND COMPONENTS (FOR LU-2810,2810-7,2818-7).....	97
THREAD STAND COMPONENTS (FOR LU-2860,2860-7,2868-7).....	99
BOTTOM COVER & BELT COVER COMPONENTS	101
ACCESSORIES PARTS COMPONENTS	103
TABLE OF EXCHANGING GAUGE PARTS (FOR LU-2810,2810-7,2818-7).....	107
TABLE OF EXCHANGING GAUGE PARTS (FOR LU-2860,2860-7,2868-7).....	108
TABLE OF EXCHANGING GAUGE PARTS SET.....	109
TABLE OF OPTIONAL GAUGE PARTS	110
TABLE OF OPTIONAL GAUGE PARTS (FOR LU-2810S,2810S-7)	111
TABLE OF OPTIONAL GAUGE PARTS (FOR LU-2810A,2810A-7,2818A-7).....	112
TABLE OF OPTIONAL GAUGE PARTS (FOR LU-2860S,2860S-7)	113
TABLE OF OPTIONAL GAUGE PARTS (FOR LU-2860A,2860A-7,2868A-7).....	114
GREASE COMPONENTS (OPTIONAL PARTS)	115
SUSPENSION SQUARE COMPONENTS (OPTIONAL PARTS)	117
LIST FOR INFORMATION OF CHANGE (1).....	119
LIST FOR INFORMATION OF CHANGE (2).....	120

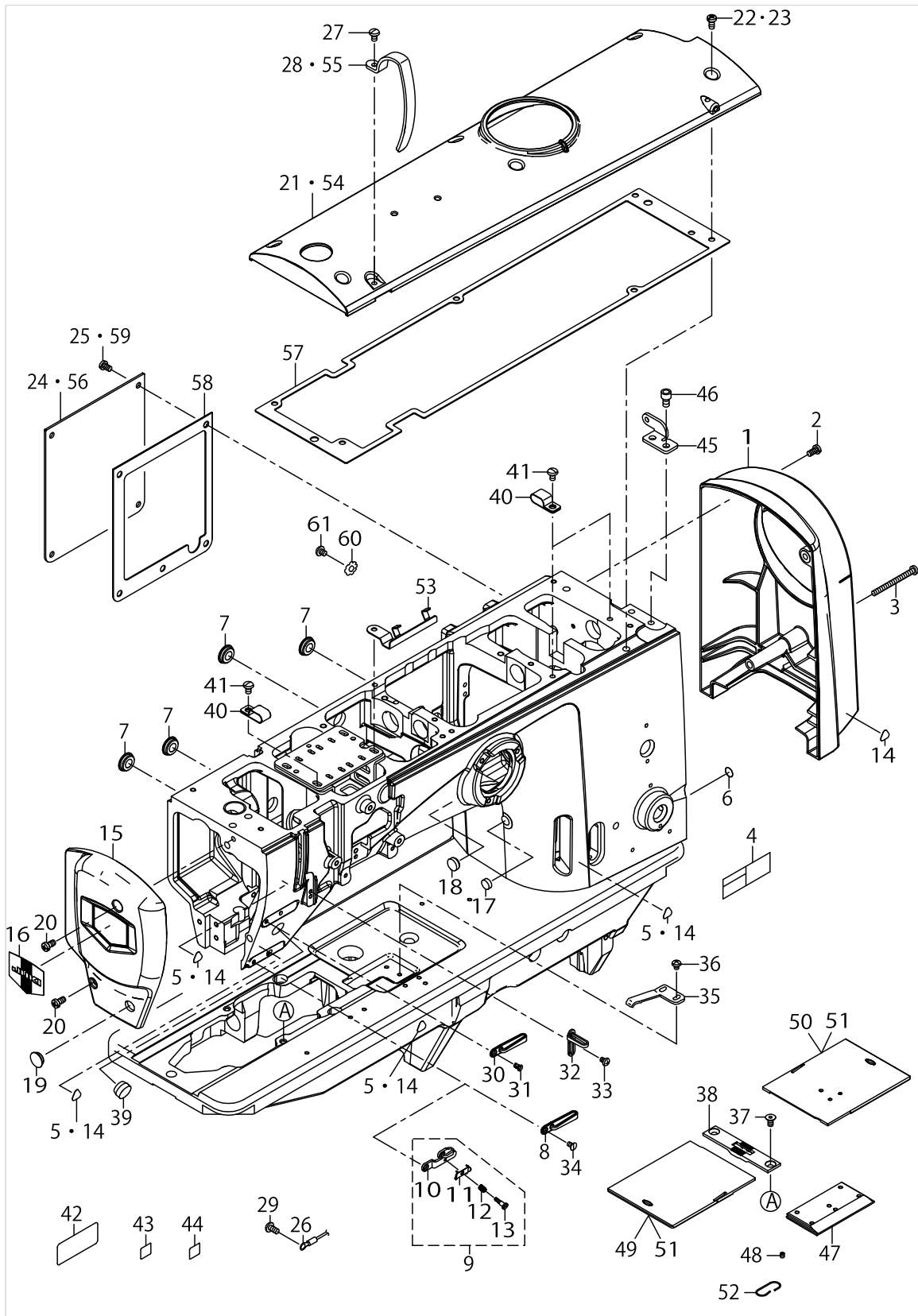
FRAME & MISCELLANEOUS COVER COMPONENTS



FRAME & MISCELLANEOUS COVER COMPONENTS

No.	Supply Code	Parts No.	Replacement	Parts name	Remarks	Choice	Step	Level	Cons	Qty	Rep. QTY
1		40130705		MOTOR_COVER	FOR LU-2-810-7,2860-7, 2818-7,2868-7					1	
2		SM4051055SP		SCREW	FOR LU-2-810-7,2860-7, 2818-7,2868-7					2	
3		SM4055501SC		SCREW M5X0.8 L=55	FOR LU-2-810-7,2860-7, 2818-7,2868-7					1	
4		40102261		SAFETY_LABEL_S						1	
5		CM300200001		ATTENTION SEAL	FOR LU-2810,2860					4	
6		22901805		GROUND MARK						1	
7		TA1650406R0		PRUG						4	
8		40084142		THREAD_GUIDE_LOWER	FOR LU-2810,2860					1	
9		40034675		THREAD_GUIDE_ASM_E	FOR LU-2-810-7,2860-7, 2818-7,2868-7					1	
10		40034674		THREAD_GUIDE				*		1	
11		40042716		THREAD_PRESSER_PLATE				*		1	
12		B1132521000		THREAD PRESSER PLATE SPRING				*		1	
13		SD0380556TL		SHOULDER SCREW D=3.8 H=5.5				*		1	
14		CM300200001		ATTENTION SEAL	FOR LU-2-810-7,2860-7, 2818-7,2868-7					5	
15		40130704		FACE_PLATE						1	
16		22902506		FACE PLATE						1	
17		TA1030402R0		RUBBER PLUG D=10.3 L=4						1	
18		TA1270502R0		RUBBER PLUG						1	
19		TA1250406R0		RUBBER PLUG D=12.5 L=4						1	
20		SM4051055SP		SCREW						2	
21		40130706		TOP_COVER	FOR LU-2-810,2860,2-810-7, 2860-7					1	
22		SM4051055SP		SCREW	FOR LU-2-810-7,2860-7, 2818-7,2868-7					6	
23		SM4051055SP		SCREW	FOR LU-2810,2860					9	
24		40130703		APERTURE_COVER	FOR LU-2-810,2860,2-810-7, 2860-7					1	
25		SM4050855SP		SCREW	FOR LU-2-810,2860,2-810-7, 2860-7					4	
26		22951552		GROUND WIRE ASM.	FOR LU-2-810-7,2860-7, 2818-7,2868-7					1	
27		SM4040855SP		SCREW						1	
28		23600505		THREAD TAKE-UP LEVER COVER	FOR LU-2-810,2860,2-810-7, 2860-7					1	
29		SM4051055SP		SCREW	FOR LU-2-810-7,2860-7, 2818-7,2868-7					1	
30		40084142		THREAD_GUIDE_LOWER						1	
31		SM1040750TP		SCREW M4 L=7						1	
32		40126221		THREAD_GUIDE						1	
33		SM4040655SP		SCREW M4 L=6						1	
34		SM1040750TP		SCREW M4 L=7						1	
35		B1111563000		BED SLIDE SPRING						1	

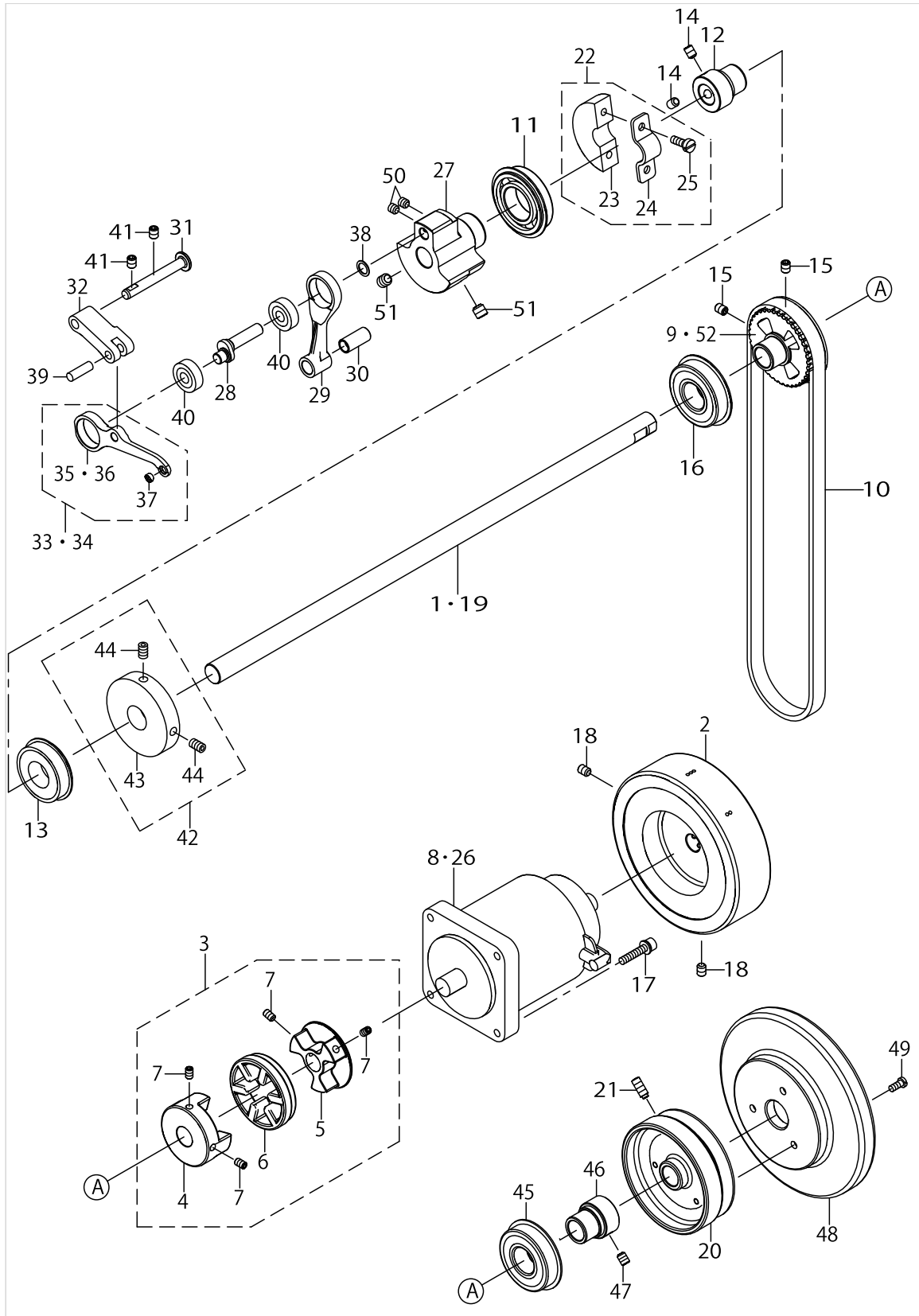
FRAME & MISCELLANEOUS COVER COMPONENTS



FRAME & MISCELLANEOUS COVER COMPONENTS

No.	Supply Code	Parts No.	Replacement	Parts name	Remarks	Choice	Step	Level	Cons	Qty	Rep. QTY
36		SM4040655SP		SCREW M4 L=6						2	
37		SM1051052TN		PLATE SCREW M5 L=10						2	
38		40126349		THROAT_PLATE_2810	EXCHANGI- NG GAUGE PARTS (S- EE.P.53,54)					1	
39		TA1550902R0		PLUG						1	
40		D2112555B00		CORD HOLDER LARGE	FOR LU-2- 810-7,2860- -7, 2818-7,2868-7					3	
41		SM4050855SP		SCREW	FOR LU-2- 810-7,2860- -7, 2818-7,2868-7					2	
42	D	40094561		SEWING MACHINE LABEL (EU)	FOR JE					1	
43		CM600100101		WEEE MARK LABEL S	FOR JE					1	
44		40150131		EAC_MARK_LABEL_S	FOR JE					1	
45		40112277		PLATE	FOR LU-2810,2860					1	
46		SM6061002TP		SCREW M6 L=10	FOR LU-2810,2860					2	
47		40147918		SLIDE_PLATE_FRONT	EXCHANGI- NG GAUGE PARTS (S- EE.P.53,54)					1	
48		SM8040412TP		SET SCREW M4 L=4	FOR LU-2- 810A,2810- A-7,2860A, 2860A-7,2- 818A-7,2868A-7					1	
49		40112224		SLIDE_PLATE_2810L	EXCHANGI- NG GAUGE PARTS (S- EE.P.53,54)					2	
50		40112225		SLIDE_PLATE_2810R	EXCHANGI- NG GAUGE PARTS (S- EE.P.53,54)					1	
51		40127056		SLIDE_PLATE_2860R	EXCHANGI- NG GAUGE PARTS (S- EE.P.53,54)					1	
52		B111105100B		SPRING	FOR LU-2- 810A,2810- A-7,2860A, 2860A-7,2- 818A-7,2868A-7					1	
53		40134805		CABLE HOLDER	FOR LU-2- 810-7,2860- -7, 2818-7,2868-7					1	
54		40148283		TOP COVER LP	FOR LU-2- 818-7,2868-7					1	
55		40134834		THREAD_TAKE_UP_LEVER COVER	FOR LU-2- 818-7,2868-7					1	
56		40129995		APERTURE_COVER	FOR LU-2- 818-7,2868-7					1	
57		40147919		TOP_COVER_PACKING						1	
58		40151799		WINDOW_PLATE_PACKING						1	
59		SM4051055SP		SCREW	FOR LU-2- 818-7,2868-7					5	
60		WT0530002KS		TOOTHED WASHER D=5.3	FOR LU-2810,2860					1	
61		SM4050655SP		SCREW M5 L=6	FOR LU-2810,2860					1	

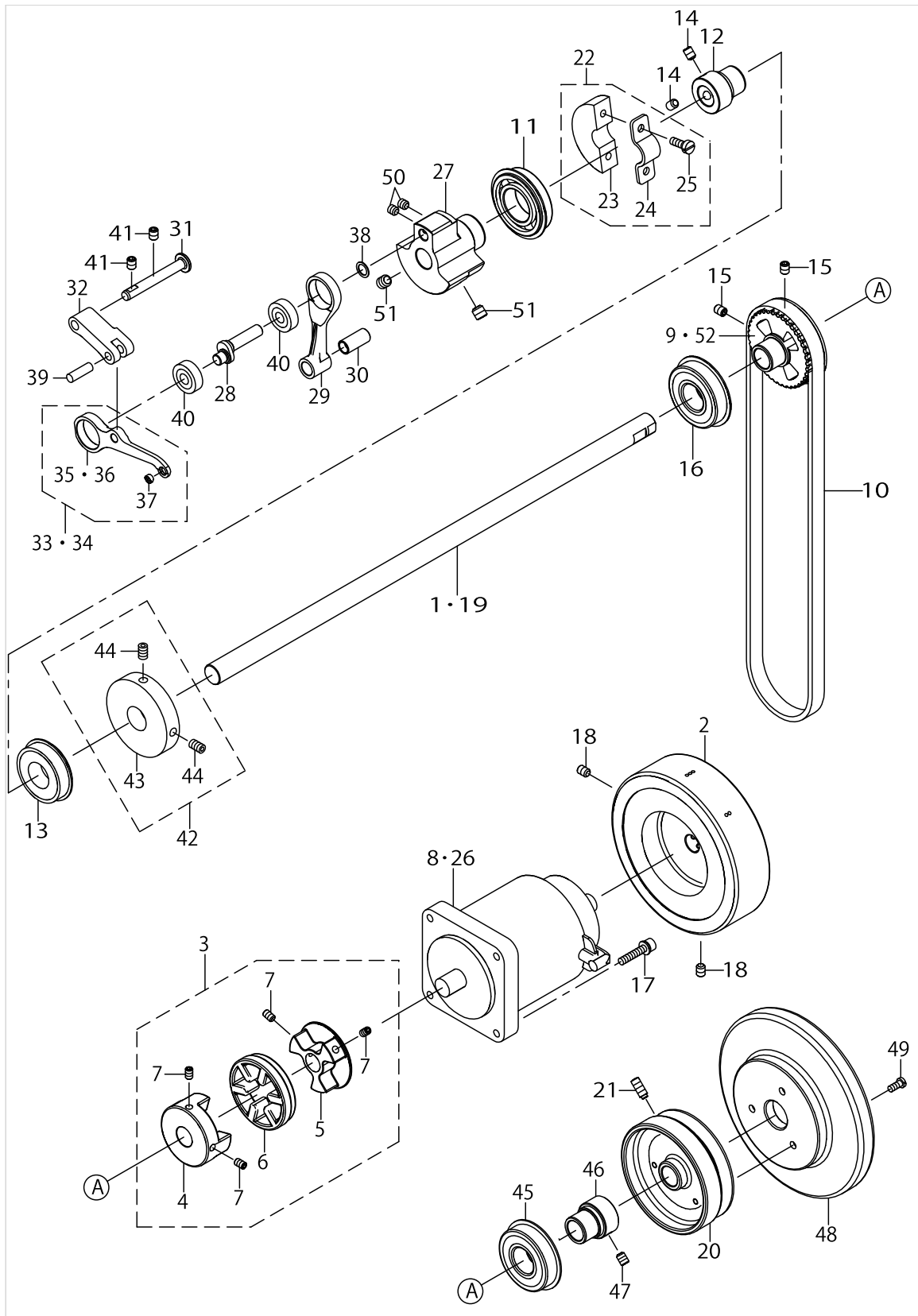
MAIN SHAFT & THREAD TAKE-UP LEVER COMPONENTS



MAIN SHAFT & THREAD TAKE-UP LEVER COMPONENTS

No.	Supply Code	Parts No.	Replacement	Parts name	Remarks	Choice	Step	Level	Cons	Qty	Rep. QTY
1		40112087		MAIN_SHAFT_DD	FOR LU-2-810-7,2860-7, 2818-7,2868-7					1	
2		40130702		HAND_WHEEL	FOR LU-2-810-7,2860-7, 2818-7,2868-7					1	
3		40112312		COUPLING_ASSY	FOR LU-2-810-7,2860-7, 2818-7,2868-7					1	
4	R	40130277	40112312	HUB_L	FOR LU-2-810-7,2860-7, 2818-7,2868-7			*		1	1.00
5		40112106		HUB_R	FOR LU-2-810-7,2860-7, 2818-7,2868-7			*		1	
6	R	40125950	40112312	SPIDER	FOR LU-2-810-7,2860-7, 2818-7,2868-7			*		1	1.00
7		SM8050812TP		SCREW M5X8	FOR LU-2-810-7,2860-7, 2818-7,2868-7			*		4	
8		40151488		SERVO_MOTOR_550W	FOR LU-2-810-7,2818-7					1	
9		40126321		SPROCKET_UPPER	FOR LU-2-810-7,2860-7, 2818-7,2868-7					1	
10		40112274		TIMING_BELT					☆	1	
11		40143083		BUSHING						1	
12		23605207		MAIN SHAFT BEARING SUPPORT						1	
13		SB120001800		BEARING						1	
14		SM80608A2TP		SCREW M6 L=8						2	
15		SM8060812TP		SCREW M6 L=8						2	
16		40143088		BEARING	FOR LU-2-810-7,2860-7, 2818-7,2868-7					1	
17		SL6052592TN		BOLT	FOR LU-2-810-7,2860-7, 2818-7,2868-7					4	
18		SM8060812TP		SCREW M6 L=8	FOR LU-2-810-7,2860-7, 2818-7,2868-7					2	
19		40112088		MAIN_SHAFT	FOR LU-2810,2860					1	
20		40112299		HAND_WHEEL_A	FOR LU-2810,2860					1	
21		SS8151550SP		SCREW15/64-28L=15	FOR LU-2810,2860					2	
22		40010437		CRANK_BALANCER_ASM						1	
23	R	40010438	40010437	CRANK_BALANCER				*		1	1.00
24		40010439		CRANK_BALANCER_FIX_PLATE				*		1	
25		40010440		CRANK_BALANCER_FIX_PLATE_SCREW				*		2	
26		40126244		AC SERVO MOTOR	FOR LU-2-860-7,2868-7					1	
27		40112091		COUNTER_WEIGHT						1	
28		40112092		NEEDLE_BAR_CRANK						1	
29		40112093		NEEDLE_BAR_CRANK_ROD						1	
30		40112094		CRANK_ROD_BUSH						1	
31		40011902		THREAD_TAKE_UP_CRANK_SHAFT						1	
32		40125930		TAKE_UP_LEVER_CRANK						1	
33		40127049		THREAD_TAKE_UP_ASM	FOR LU-2-810,2860, 2-810-7,2860-7					1	

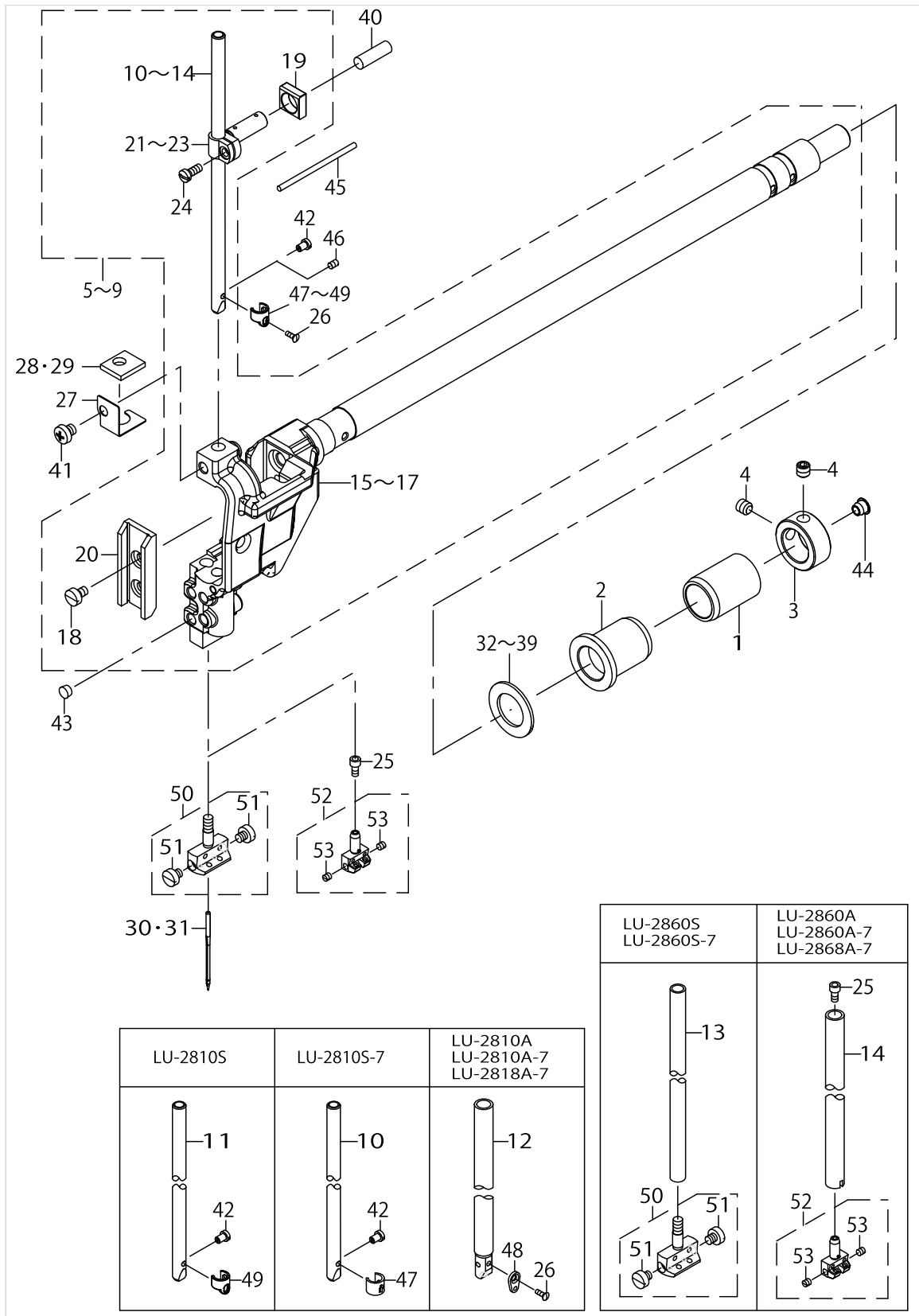
MAIN SHAFT & THREAD TAKE-UP LEVER COMPONENTS



MAIN SHAFT & THREAD TAKE-UP LEVER COMPONENTS

No.	Supply Code	Parts No.	Replacement	Parts name	Remarks	Choice	Step	Level	Cons	Qty	Rep. QTY
34		40134545		THREAD_TAKE_UP_ASM	FOR LU-2-818-7,2868-7					1	
35		40125939		THREAD_TAKE_UP	FOR LU-2-810,2860, 2-810-7,2860-7			*		1	
36		40134532		THREAD_TAKE_UP	FOR LU-2-818-7,2868-7			*		1	
37		10546901		BUSH				*		1	
38		WP0820516SP		WASHER 11.6X8.2X0.6						1	
39		10721504		FEED ADJUSTING PIN						1	
40		SB108002400		BEARING						2	
41		SM8060812TP		SCREW M6 L=8						2	
42		40010533		BTW_DRIVING_WHEEL_ASM.						1	
43	R	40010534	40010533	BTW_DRIVING_WHEEL				*		1	1.00
44		40010535		DRIVING_WHEEL_SCREW				*		2	
45		SB120002700		BEARING	FOR LU-2810,2860					1	
46		23605207		MAIN SHAFT BEARING SUPPORT	FOR LU-2810,2860					1	
47		SM80608A2TP		SCREW M6 L=8	FOR LU-2810,2860					2	
48		40026457		HAND WHEEL B	FOR LU-2810,2860					1	
49		SM4051055SP		SCREW	FOR LU-2810,2860					3	
50		SM8060612TP		SCREW M6 L=6						2	
51		SM8080812TP		SCREW M8X8						2	
52		40028116		MAIN_SHAFT_SPROCKET	FOR LU-2810,2860					1	

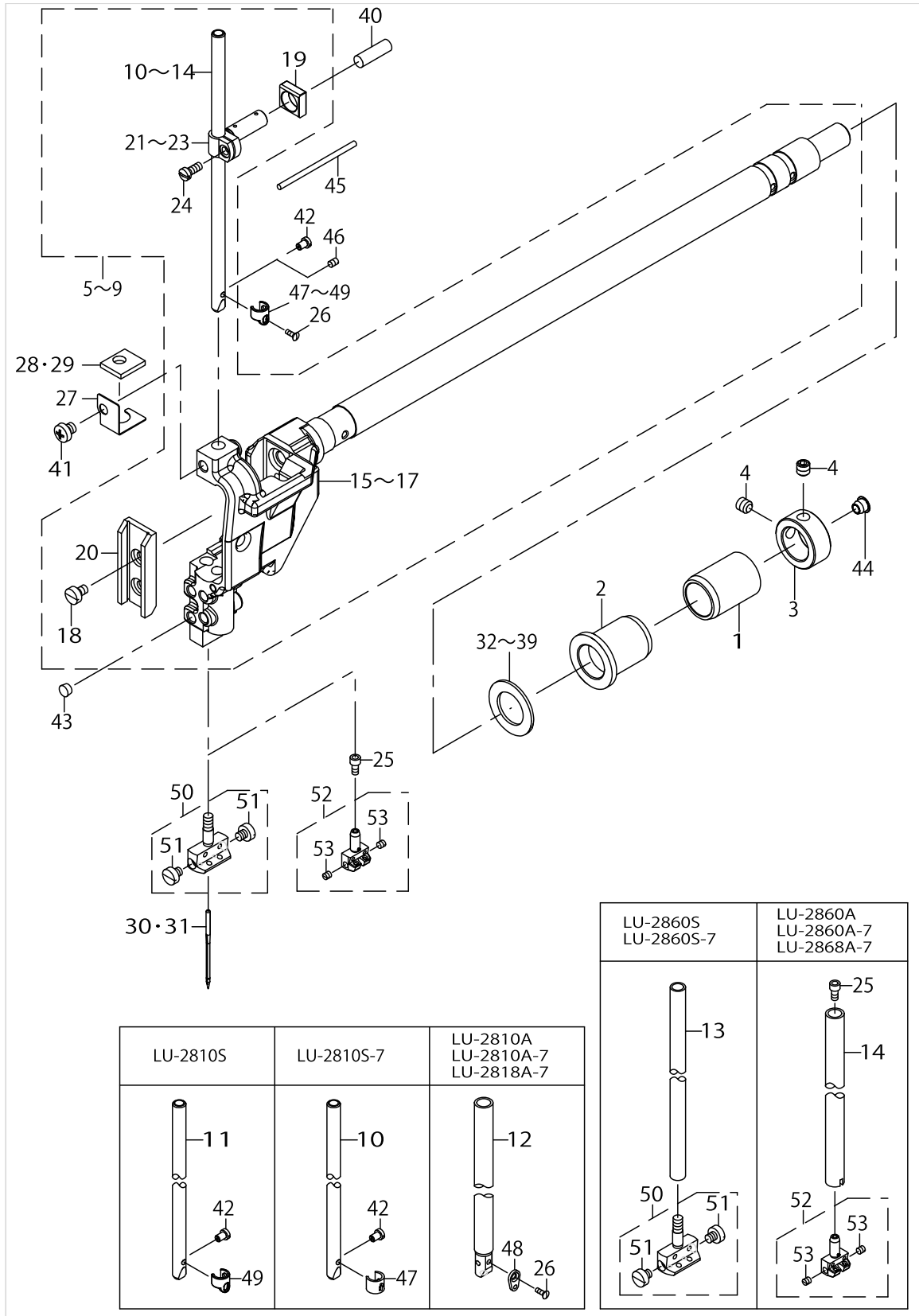
NEEDLE BAR COMPONENTS



NEEDLE BAR COMPONENTS

No.	Supply Code	Parts No.	Replacement	Parts name	Remarks	Choice	Step	Level	Cons	Qty	Rep. QTY
1		40010709		NF SHAFT BUSH R						1	
2		40152451		BUSHING						1	
3		CS1701181TP		THRUST COLLAR D=17 W=11						1	
4		SM8060612TP		SCREW M6 L=6						2	
5		40126403		N,B,ROCKING_BASE_ASM,2810S7	FOR LU-2810S-7					1	
6		40127042		N,B,ROCKING_BASE_ASM,2810SS	FOR LU-2810S					1	
7		40126402		N,B,ROCKING_BASE_ASM,2810E	FOR LU-2-810A,2810-A-7, 2818A-7					1	
8		40127051		N,B,ROCKING_BASE_ASM,2860S	FOR LU-2-860S,2860S-7					1	
9		40127054		N,B,ROCKING_BASE_ASM,2860E	FOR LU-2-860A,2860-A-7,2868A-7					1	
10		21338405		NEEDLE BAR THREAD RACK	FOR LU-2810S-7			*		1	
11		B1401053000		NEEDLE BAR	FOR LU-2810S			*		1	
12		40143220		NEEDLE_BAR_2810A	FOR LU-2-810A,2810-A-7, 2818A-7			*		1	
13	R	40127052	40127051	NEEDLE BAR	FOR LU-2-860S,2860S-7			*		1	1.00
14		21451406		NEEDLE BAR	FOR LU-2-860A,2860-A-7,2868A-7			*		1	
15	R	40154226	40126403	N,B,ROCKING_BASE_ASM,2810S	FOR LU-2-810S,2810S-7	A	系切り仕様- /Needle th- read trimming type	*		1	1.00
15	R	40154226	40127042	N,B,ROCKING_BASE_ASM,2810S	FOR LU-2-810S,2810S-7	B	系切り無仕- 様/No Need- le thread trimming type	*		1	1.00
16	R	40136296	40126402	N,B,ROCKING_BASE_ASM,2810E	FOR LU-2-810A,2810-A-7,2860A, 2860A-7,2-818A-7,2868A-7	A	PLC-2810.- 2710.2828 LS-1342/X55316	*		1	1.00
16	R	40136296	40127054	N,B,ROCKING_BASE_ASM,2810E	FOR LU-2-810A,2810-A-7,2860A, 2860A-7,2-818A-7,2868A-7	B	PLC-2860.- 2760L PLC-2760	*		1	1.00
17		40154227		N,B,ROCKING_BASE_ASM,2860S	FOR LU-2-860S,2860S-7			*		1	
18		SM6040650TP		SCREW				*		2	
19		40112152		NEEDLE_ROD_SQUARE_BLOCK				*		1	
20		40127041		NEEDLE_BAR_GUIDE				*		1	
21	D	B1411053000		NEEDLE BAR CONNECTION	FOR LU-2-810S,2810S-7			*		1	
22		40112273		NEEDLE BAR CONNECTION	FOR LU-2-810A,2810-A-7,2860A, 2860A-7,2-818A-7,2868A-7			*		1	
23		B1411521000		NEEDLERODHOLDER	FOR LU-2-860S,2860S-7			*		1	
24		SS7090910TP		SCREW 9/64-40 L=8.5				*		1	
25		SM6030602TP		SCREW M3X0.5 L=6	FOR LU-2-860A,2860-A-7,2868A-7					1	
26		SS2060310SP		SCREW 3/32-56 L=3	FOR LU-2-810A,2810-A-7, 2818A-7					1	
27		40112270		FELT HOLDER						1	

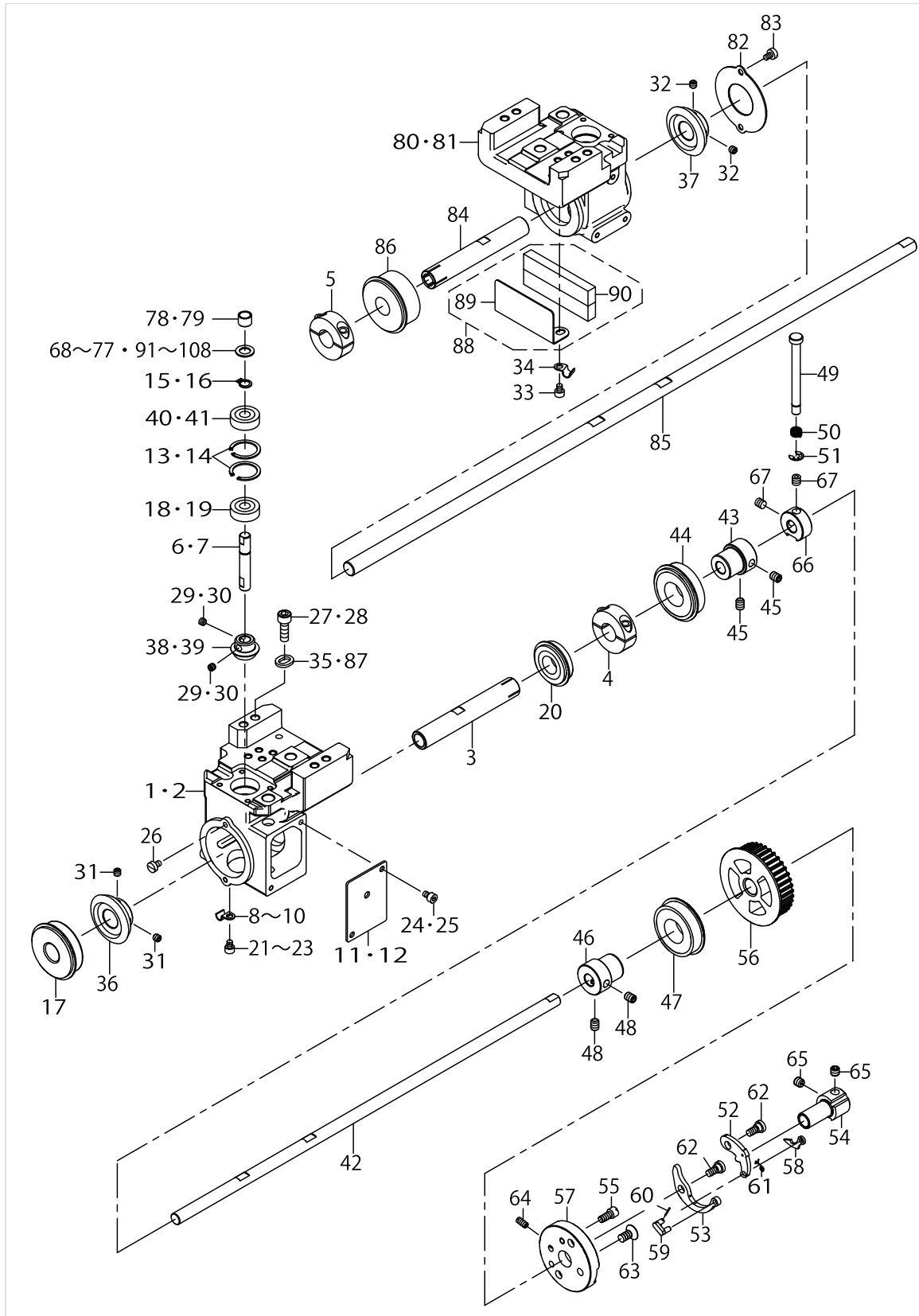
NEEDLE BAR COMPONENTS



NEEDLE BAR COMPONENTS

No.	Supply Code	Parts No.	Replacement	Parts name	Remarks	Choice	Step	Level	Cons	Qty	Rep. QTY
28		40112271		NEEDLE_BAR_FELT_S	FOR LU-2-810S,2810-S-7,2860S, 2860S-7					1	
29		40112272		NEEDLE_BAR_FELT_E	FOR LU-2-810A,2810-A-7,2860A, 2860A-7,2-818A-7,2868A-7					1	
30		M13517B1600		NEEDLE 135X17 #160	FOR LU-2-810,2810-7,2818-7				☆	1	
31		M13517B1600		NEEDLE 135X17 #160	FOR LU-2-860,2860-7,2868-7				☆	2	
32		B1438512B00		WASHER 17.1X28X1.5	SELECTIVE PARTS					1	
33		22606206		SPACER Y	SELECTIVE PARTS					1	
34		22606305		SPACER Z	SELECTIVE PARTS					1	
35		22607600		SPACER A	SELECTIVE PARTS					1	
36		22607709		SPACER B	SELECTIVE PARTS					1	
37		22607808		SPACER D	SELECTIVE PARTS					1	
38		22607907		SPACER E	SELECTIVE PARTS					1	
39		22606404		SPACER F	SELECTIVE PARTS					1	
40		B1412051000		FELT	FOR LU-2-810S,2810-S-7,2860S, 2860S-7					1	
41		SM4050501SC		SCREW M5X0.8 L=5						1	
42		SS7080510TP		SCREW 1/8-44 L=4.5	FOR LU-2-810S,2810S-7					1	
43		TA0500301R0		PLUG 5X5.8 L=3						4	
44		TA0620504R0		CAP						1	
45		CQ252000000		OIL WICK	FOR LU-2-810A,2810-A-7,2860A, 2860A-7,2-818A-7,2868A-7					.05	
46		SS8080410TP		SCREW 1/8-44 L=3.5	FOR LU-2-810A,2810-A-7, 2818A-7					1	
47		21338504		NEEDLE BAR THREAD RACK	FOR LU-2810S-7					1	
48		40143221		NEEDLE_BAR_THRE-AD_GUIDE_2810A	FOR LU-2-810A,2810-A-7, 2818A-7					1	
49		10308609		THREAD GUARD	FOR LU-2810S					1	
50		21368154		NEEDLE CLAMP 3/16 ASM.	EXCHANGI-NG GAUGE PARTS (SEE.P.54)					1	
51		SS6090410TP		SCREW 9/64-40 L=3.5	EXCHANGI-NG GAUGE PARTS (SEE.P.54)			*	☆	2	
52		40038778		NEEDLE CLAMP(6MM)ASM.	EXCHANGI-NG GAUGE PARTS (SEE.P.54)					1	
53		SS8080310TP		SCREW 1/8-44 L=2.8	EXCHANGI-NG GAUGE PARTS (SEE.P.54)			*	☆	2	

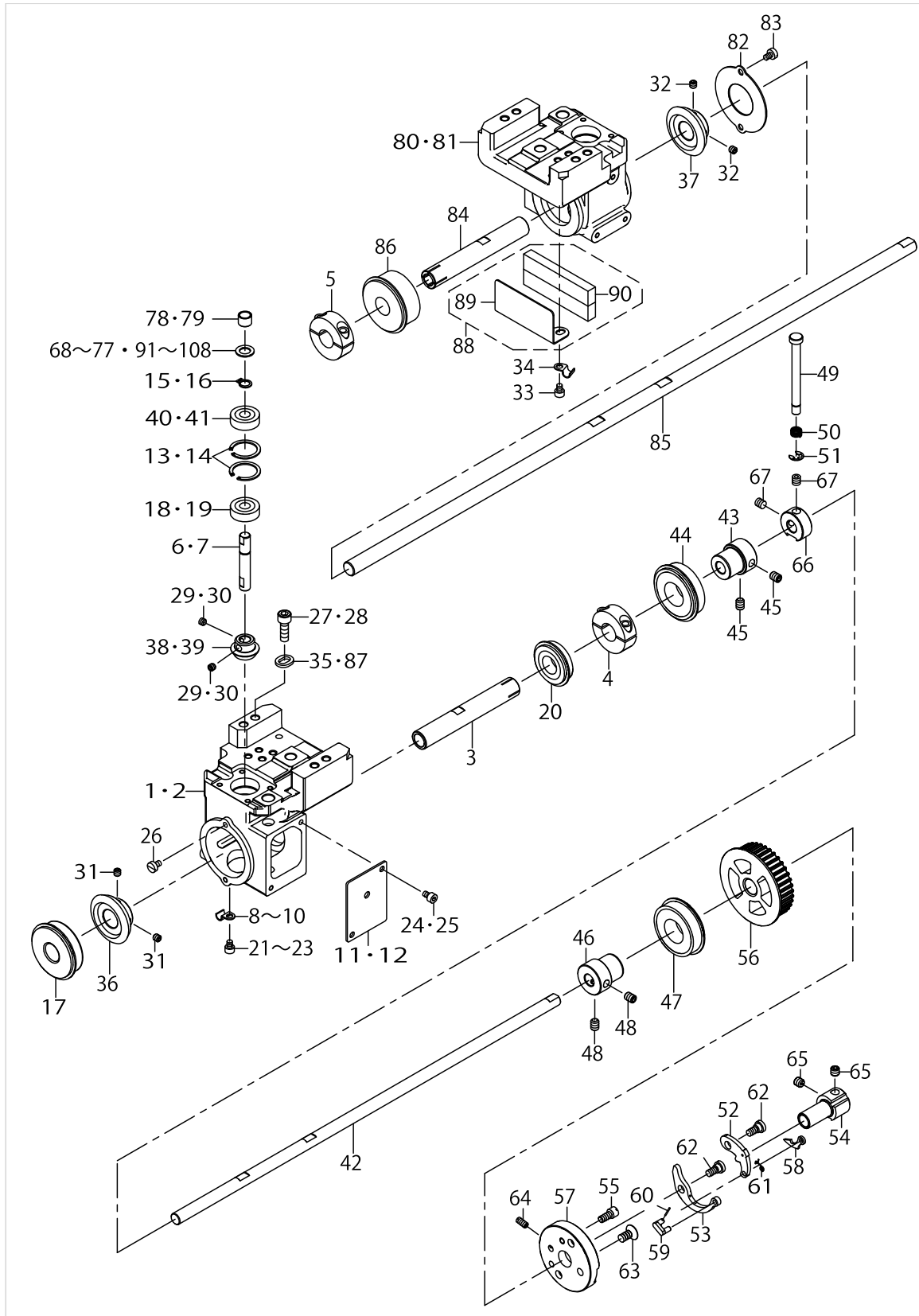
LOWER SHAFT COMPONENTS



LOWER SHAFT COMPONENTS

No.	Supply Code	Parts No.	Replacement	Parts name	Remarks	Choice	Step	Level	Cons	Qty	Rep. QTY
1		40125845		HOOK_SHAFT_BASE_RIGHT_TC	FOR LU-2-810-7,2860-7, 2818-7,2868-7					1	
2		40125846		HOOK_SHAFT_BASE_RIGHT_N	FOR LU-2810,2860					1	
3		40112253		LOWER_SHAFT_C						1	
4		40152295		LOWER_SHAFT_SET_COLLAR						1	
5		40152295		LOWER_SHAFT_SET_COLLAR	FOR LU-2-860,2860-7,2868-7					1	
6		40126381		HOOK_SHAFT	FOR LU-2-810,2810-7,2818-7					1	
7		40126381		HOOK_SHAFT	FOR LU-2-860,2860-7,2868-7					2	
8		B3538112000		OIL RETURN TUBE HOLDER	FOR LU-2810					2	
9		B3538112000		OIL RETURN TUBE HOLDER	FOR LU-2-810-7,2818-7					1	
10		B3538112000		OIL RETURN TUBE HOLDER	FOR LU-2-860-7,2868-7					2	
11		40123340		HOOK_SHAFT_BASE_SIDE_PLATE	FOR LU-2-810,2810-7,2818-7					1	
12		40135474		HOOK_SHAFT_BASE_SIDE_PLATE	FOR LU-2-860,2860-7,2868-7					2	
13		RC2351018KP		RETAINIG PIN 23.5	FOR LU-2-810,2810-7,2818-7					2	
14		RC2351018KP		RETAINIG PIN 23.5	FOR LU-2-860,2860-7,2868-7					4	
15		RC0740816K0		RETAINING RING	FOR LU-2-810,2810-7,2818-7					1	
16		RC0740816K0		RETAINING RING	FOR LU-2-860,2860-7,2868-7					2	
17		40143084		BUSHING						1	
18		40143086		BUSHING	FOR LU-2-810,2810-7,2818-7					1	
19		40143086		BUSHING	FOR LU-2-860,2860-7,2868-7					2	
20		40143082		BUSHING						1	
21		SM6040502TP		SCREW M4X0.7 L=5	FOR LU-2810					1	
22		SM6040502TP		SCREW M4X0.7 L=5	FOR LU-2-810,2810-7,2818-7					1	
23		SM6040502TP		SCREW M4X0.7 L=5	FOR LU-2-860-7,2868-7					2	
24		SM6040602TP		SCREW M4 L=6	FOR LU-2-810,2810-7,2818-7					2	
25		SM6040602TP		SCREW M4 L=6	FOR LU-2-860,2860-7,2868-7					4	
26		SM6040650TP		SCREW						2	
27		SM6061802TP		SCREW M6 L=18	FOR LU-2-810,2810-7,2818-7					2	
28		SM6061802TP		SCREW M6 L=18	FOR LU-2-860,2860-7,2868-7					4	
29		SM8050412TP		SCREW M5 L=4	FOR LU-2-810,2810-7,2818-7					2	
30		SM8050412TP		SCREW M5 L=4	FOR LU-2-860,2860-7,2868-7					4	
31		SM80506A2TP		SCREW M5 L=6						2	
32		SM80506A2TP		SCREW M5 L=6	FOR LU-2-860,2860-7,2868-7					2	
33		SM6040502TP		SCREW M4X0.7 L=5	FOR LU-2860					3	
34		B3538112000		OIL RETURN TUBE HOLDER	FOR LU-2860					5	
35		40139043		WASHER	FOR LU-2-810,2810-7,2818-7					2	
36		40126372		LOWER_SHAFT_GEAR						1	
37		40126372		LOWER_SHAFT_GEAR	FOR LU-2-860,2860-7,2868-7					1	

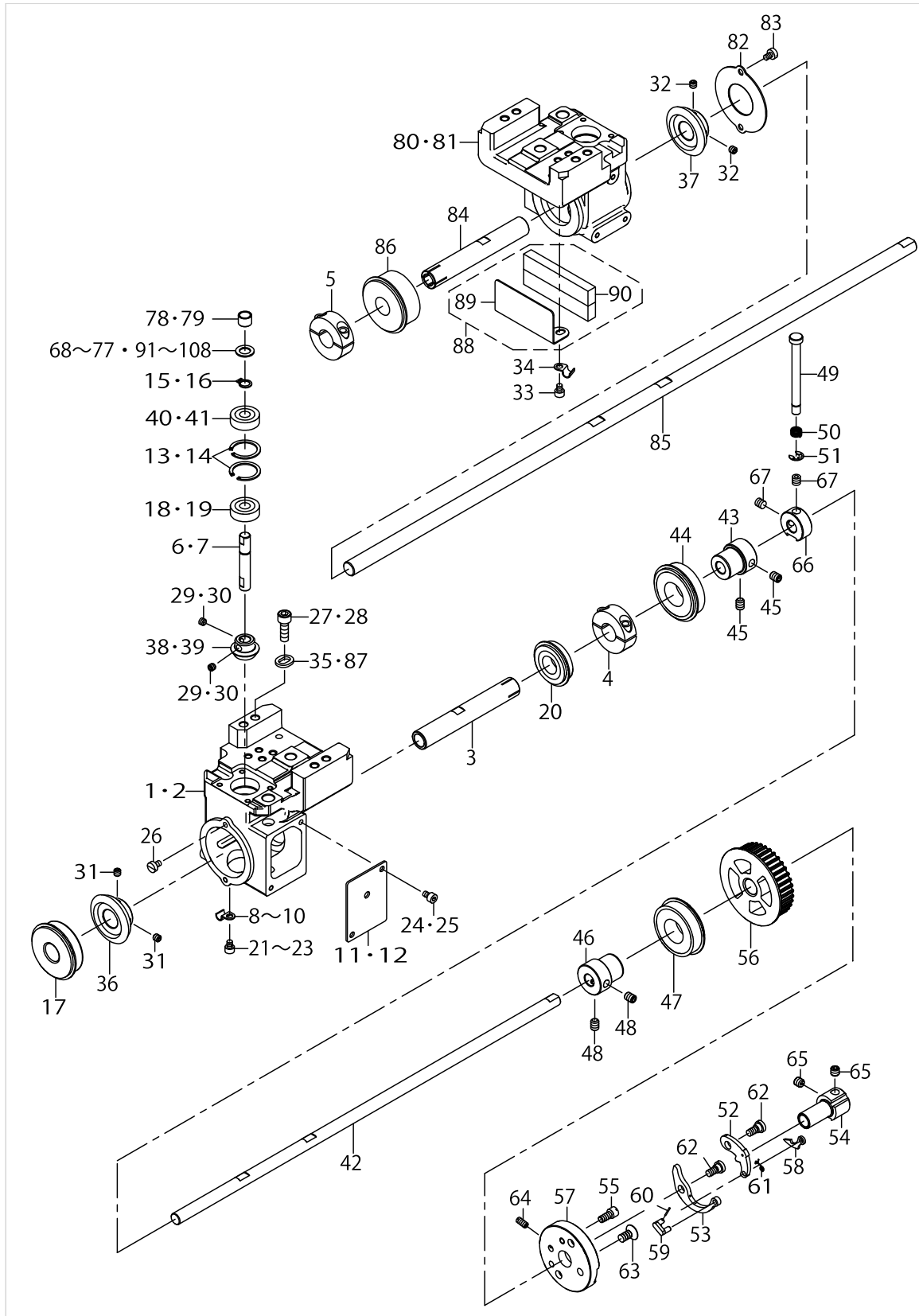
LOWER SHAFT COMPONENTS



LOWER SHAFT COMPONENTS

No.	Supply Code	Parts No.	Replacement	Parts name	Remarks	Choice	Step	Level	Cons	Qty	Rep. QTY
38		40112242		HOOK_SHAFT_GEAR	FOR LU-2-810,2810-7,2818-7					1	
39		40112242		HOOK_SHAFT_GEAR	FOR LU-2-860,2860-7,2868-7					2	
40		40143086		BUSHING	FOR LU-2-810,2810-7,2818-7					1	
41		40143086		BUSHING	FOR LU-2-860,2860-7,2868-7					2	
42		40126365		LOWER_SHAFT_1N	FOR LU-2-810,2810-7,2818-7					1	
43		40123247		BEARING_COLLAR						1	
44		SB120001800		BEARING						1	
45		SM8060812TP		SCREW M6 L=8						2	
46		40123247		BEARING_COLLAR						1	
47		SB120001800		BEARING						1	
48		SM8060812TP		SCREW M6 L=8						2	
49		40112240		SAFETY_REVERSE_BUTTON						1	
50		B1639051000		SPRING						1	
51		RE0500000K0		E-RING						1	
52		21387600		SAFETY CLUTCH HOOK						1	
53		21387709		SAFETY CLUTCH SPRING						1	
54		21387808		SAFETY BASE						1	
55		21387907		ADJUSTING PIN (1.2)						1	
56		40125862		LOWER_SHAFT_SPROCKET						1	
57		40126366		CLUTCH_BASE						1	
58		B1308055000		SAFETY CLUTCH COUNTER-HOOK						1	
59		B1310055000		SAFETY CLUTCH SMALL LINK						1	
60		B1314055000		SAFETY CLUTCH SMALL LINK PIN						1	
61		40113224		COUNTER HOOK SPRING						1	
62		SD0640322TP		HINGE SCREW D=6.35 H=3.2						2	
63		SM1061201SN		SCREW M6 L=12						2	
64		SS8111010TP		SCREW 11/64-40 L=9.5						1	
65		SS8660612TP		SCREW 1/4-40 L=6						2	
66		21333901		SAFETY CLUTCH DISC						1	
67		SS8660612TP		SCREW 1/4-40 L=6						2	
68		B255728000A		WASHER FOR DRIVING ARM	SELECTIVE PARTS FOR LU-2810,2-810-7,2818-7					1	
69		B255728000B		WASHER	SELECTIVE PARTS FOR LU-2810,2-810-7,2818-7					1	
70		B255728000C		WASHER	SELECTIVE PARTS FOR LU-2810,2-810-7,2818-7					1	
71		B255728000D		WASHER D	SELECTIVE PARTS FOR LU-2810,2-810-7,2818-7					1	
72		B255728000E		WASHER	SELECTIVE PARTS FOR LU-2810,2-810-7,2818-7					1	

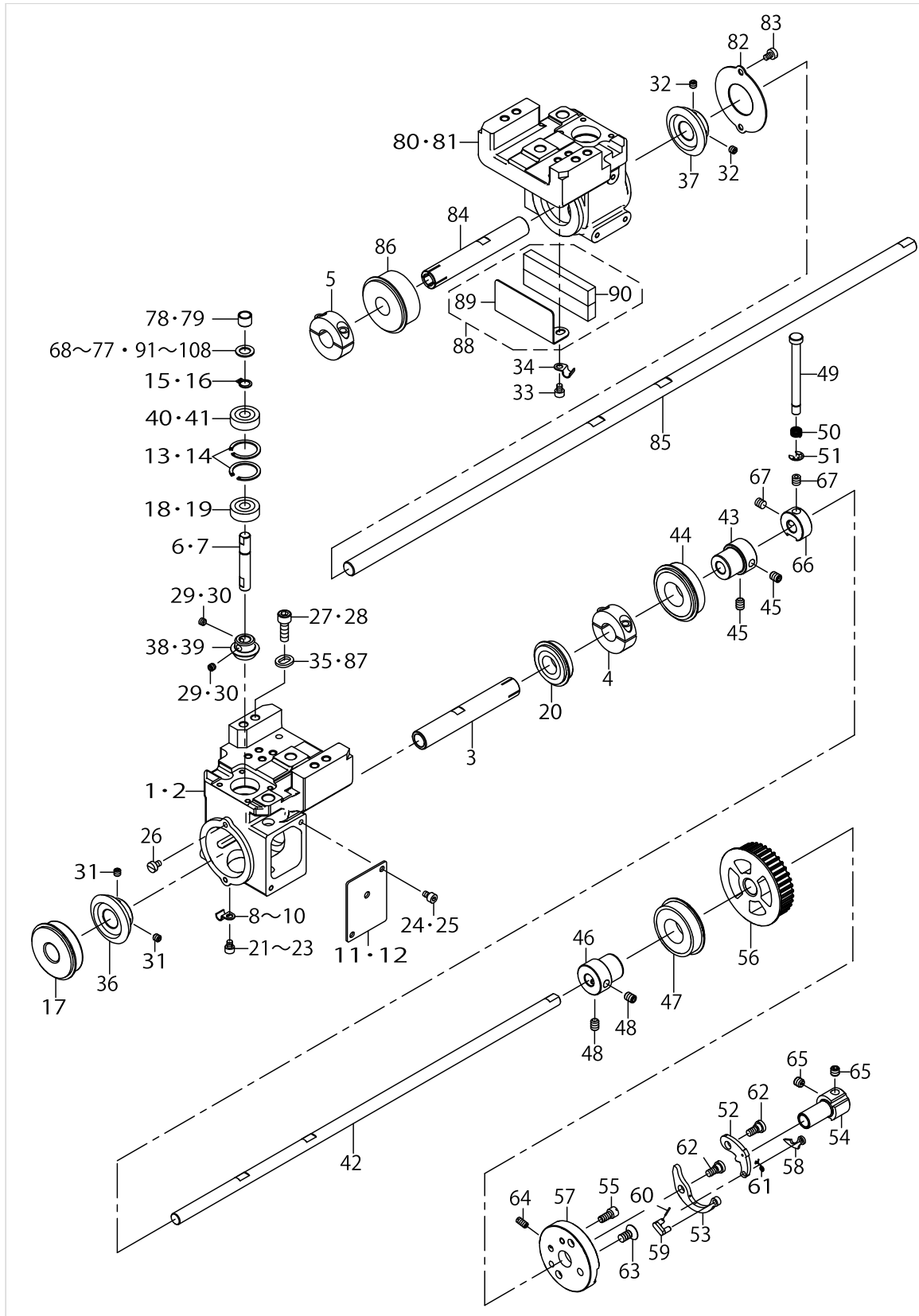
LOWER SHAFT COMPONENTS



LOWER SHAFT COMPONENTS

No.	Supply Code	Parts No.	Replacement	Parts name	Remarks	Choice	Step	Level	Cons	Qty	Rep. QTY
73		B255728000A		WASHER FOR DRIVING ARM	SELECTIVE PARTS FOR LU-2860,2-860-7,2868-7					2	
74		B255728000B		WASHER	SELECTIVE PARTS FOR LU-2860,2-860-7,2868-7					2	
75		B255728000C		WASHER	SELECTIVE PARTS FOR LU-2860,2-860-7,2868-7					2	
76		B255728000D		WASHER D	SELECTIVE PARTS FOR LU-2860,2-860-7,2868-7					2	
77		B255728000E		WASHER	SELECTIVE PARTS FOR LU-2860,2-860-7,2868-7					2	
78		40126382		HOOK_SHAFT_COLLAR	FOR LU-2-810,2810-7,2818-7					1	
79		40126382		HOOK_SHAFT_COLLAR	FOR LU-2-860,2860-7,2868-7					2	
80		40125847		HOOK_SHAFT_BASE_LEFT_TC	FOR LU-2-860-7,2868-7					1	
81		40125848		HOOK_SHAFT_BASE_LEFT_N	FOR LU-2860					1	
82		40126455		HOOK_SHAFT_BASE_COVER	FOR LU-2-860,2860-7,2868-7					1	
83		SM6040650TP		SCREW	FOR LU-2-860,2860-7,2868-7					2	
84		40126454		LOWER_SHAFT_D	FOR LU-2-860,2860-7,2868-7					1	
85		40123428		LOWER_SHAFT_2N	FOR LU-2-860,2860-7,2868-7					1	
86		SB115002200		BEARING	FOR LU-2-860,2860-7,2868-7					1	
87		40139042		WASHER	FOR LU-2-860,2860-7,2868-7					4	
88		40135505		OIL_SHIELD_PLATE_ASM.	FOR LU-2-860,2860-7,2868-7					1	
89		40127345		OIL_SHIELD_PLATE	FOR LU-2-860,2860-7,2868-7			*		1	
90	R	40135504	40135505	GASKET	FOR LU-2-860,2860-7,2868-7			*		2	1.00
91		40138418		WASHER_T=1.3	SELECTIVE PARTS FOR LU-2810,2-810-7,2818-7					1	
92		40138419		WASHER_T=1.4	SELECTIVE PARTS FOR LU-2810,2-810-7,2818-7					1	
93		40138420		WASHER_T=1.5	SELECTIVE PARTS FOR LU-2810,2-810-7,2818-7					1	
94		40138421		WASHER_T=1.6	SELECTIVE PARTS FOR LU-2810,2-810-7,2818-7					1	
95		40138422		WASHER_T=1.7	SELECTIVE PARTS FOR LU-2810,2-810-7,2818-7					1	
96		40138423		WASHER_T=1.8	SELECTIVE PARTS FOR LU-2810,2-810-7,2818-7					1	

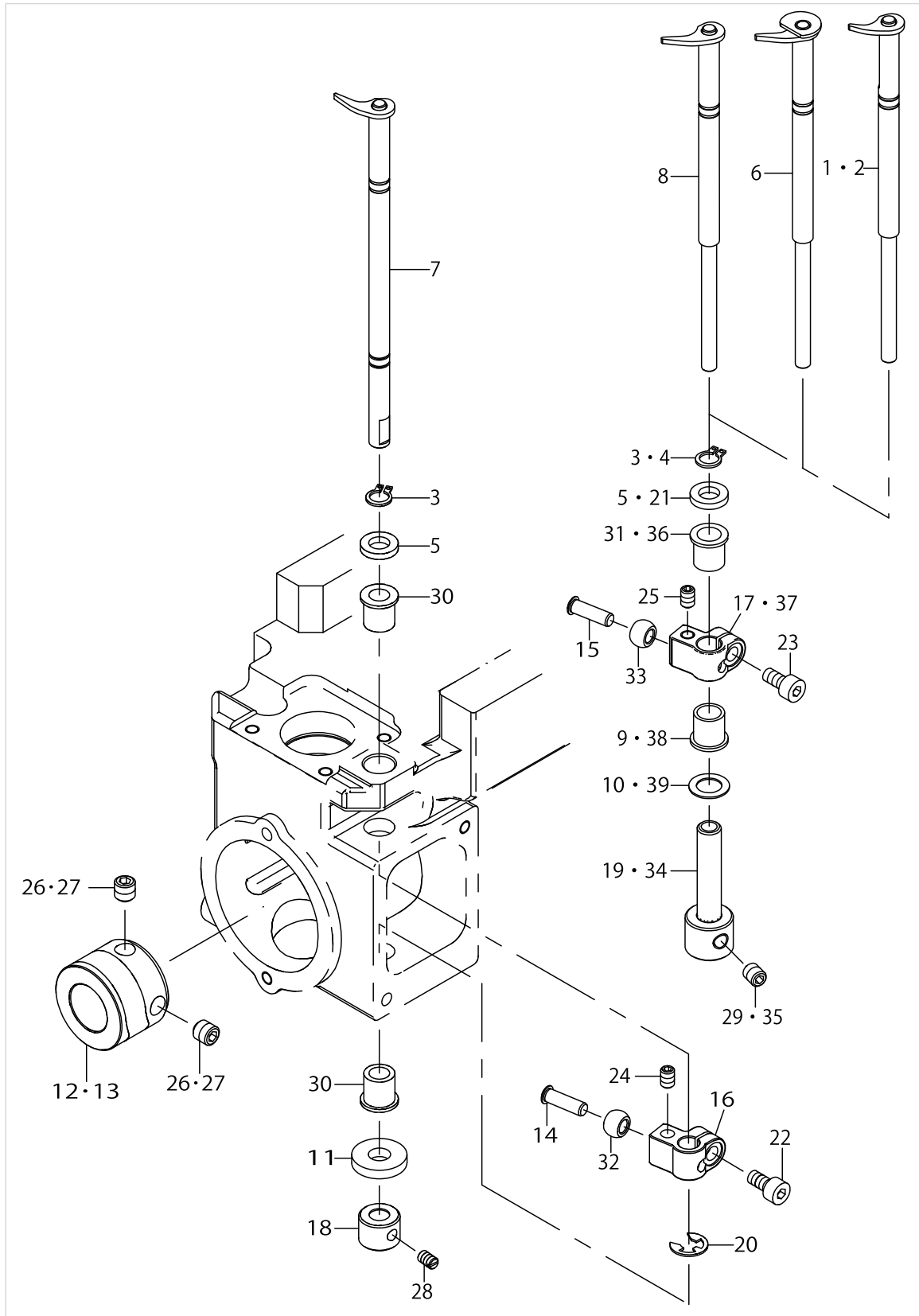
LOWER SHAFT COMPONENTS



LOWER SHAFT COMPONENTS

No.	Supply Code	Parts No.	Replacement	Parts name	Remarks	Choice	Step	Level	Cons	Qty	Rep. QTY
97		40143185		WASHER	SELECTIVE PARTS FOR LU-2810,2-810-7,2818-7					1	
98		40143188		WASHER	SELECTIVE PARTS FOR LU-2810,2-810-7,2818-7					1	
99		40143581		WASHER	SELECTIVE PARTS FOR LU-2810,2-810-7,2818-7					1	
100		40138418		WASHER_T=1.3	SELECTIVE PARTS FOR LU-2860,2-860-7,2868-7					2	
101		40138419		WASHER_T=1.4	SELECTIVE PARTS FOR LU-2860,2-860-7,2868-7					2	
102		40138420		WASHER_T=1.5	SELECTIVE PARTS FOR LU-2860,2-860-7,2868-7					2	
103		40138421		WASHER_T=1.6	SELECTIVE PARTS FOR LU-2860,2-860-7,2868-7					2	
104		40138422		WASHER_T=1.7	SELECTIVE PARTS FOR LU-2860,2-860-7,2868-7					2	
105		40138423		WASHER_T=1.8	SELECTIVE PARTS FOR LU-2860,2-860-7,2868-7					2	
106		40143185		WASHER	SELECTIVE PARTS FOR LU-2860,2-860-7,2868-7					2	
107		40143188		WASHER	SELECTIVE PARTS FOR LU-2860,2-860-7,2868-7					2	
108		40143581		WASHER	SELECTIVE PARTS FOR LU-2860,2-860-7,2868-7					2	

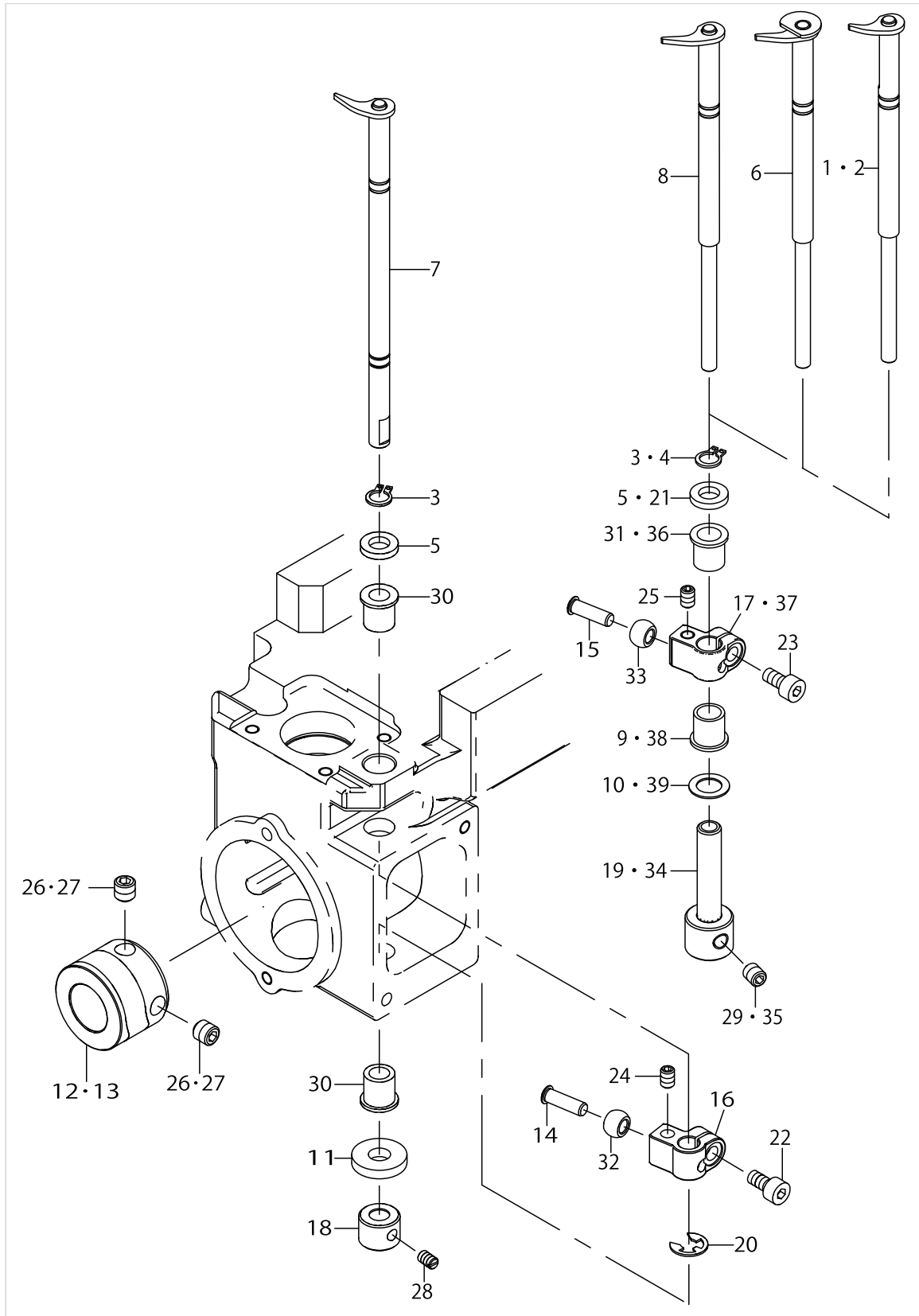
OPENNER COMPONENTS



OPENNER COMPONENTS

No.	Supply Code	Parts No.	Replacement	Parts name	Remarks	Choice	Step	Level	Cons	Qty	Rep. QTY
1		40147915		OPENER_ASM_XXL	FOR LU-2818-7				☆	1	
2		40147915		OPENER_ASM_XXL	FOR LU-2868-7				☆	2	
3		RC0560711KP		RETAINING RING	FOR LU-2-810,2810-7, 2818-7					1	
4		RC0560711KP		RETAINING RING	FOR LU-2-860,2860-7, 2868-7					2	
5		WP0612066SP		WASHER 6.1X11X2	FOR LU-2-810,2810-7, 2818-7					1	
6		40137431		OPENER_ASM_L	FOR LU-2860-7				☆	2	
7		40126361		OPENER_ASM.	FOR LU-2-810,2810-7				☆	1	
8		40135500		OPENER_ASM. L	FOR LU-2860				☆	2	
9		40135473		METAL	FOR LU-2-860,2860-7, 2868-7					2	
10		WP0740516SP		WASHER 7.4X11.8X0.5	FOR LU-2-860,2860-7, 2868-7					2	
11		B3010141H00		WASHER	FOR LU-2810-7					1	
12		40126547		OPENER_CAM_L	FOR LU-2-860,2860-7, 2868-7					1	
13		40126391		OPENER_CAM_R						1	
14		40126360		OPENER_CAM_ROLLAR_SHAFT	FOR LU-2-810,2810-7, 2818-7					1	
15		40126360		OPENER_CAM_ROLLAR_SHAFT	FOR LU-2-860,2860-7, 2868-7					2	
16		40125859		OPENER_DRIVING_ARM	FOR LU-2-810,2810-7					1	
17		40135475		OPENER_DRIVING_ARM	FOR LU-2-860,2860-7, 2868-7					2	
18		40010298		JUNCTION SHAFT COLLAR	FOR LU-2-810,2810-7					1	
19		40135472		JUNCTION SHAFT COLLAR	FOR LU-2-860,2860-7, 2868-7					2	
20		RE0500000K0		E-RING	FOR LU-2-810,2810-7					1	
21		WP0612066SP		WASHER 6.1X11X2	FOR LU-2-860,2860-7, 2868-7					2	
22		SM6040802TP		SCREW M4X0.7 L=8	FOR LU-2-810,2810-7, 2818-7					1	
23		SM6040802TP		SCREW M4X0.7 L=8	FOR LU-2-860,2860-7, 2868-7					2	
24		SM8040612TP		SCREW M4 L=6	FOR LU-2-810,2810-7, 2818-7					1	
25		SM8040612TP		SCREW M4 L=6	FOR LU-2-860,2860-7, 2868-7					2	
26		SM8060612TP		SCREW M6 L=6	FOR LU-2-810,2810-7, 2818-7					2	
27		SM8060612TP		SCREW M6 L=6	FOR LU-2-860,2860-7, 2868-7					4	
28		SS8090670SP		SCREW 9/64-40 L=5.5	FOR LU-2-810,2810-7					1	
29		SM8050612TP		SCREW M5X6	FOR LU-2-860,2860-7, 2868-7					4	
30		40112252		OPENER_METAL	FOR LU-2-810,2810-7					2	
31		40112252		OPENER_METAL	FOR LU-2-860,2860-7, 2868-7					2	
32		40126351		OPENER_CAM_ROLLER	FOR LU-2-810,2810-7, 2818-7					1	
33		40126351		OPENER_CAM_ROLLER	FOR LU-2-860,2860-7, 2868-7					2	
34		40135472		OPENNER_SLEEVE	FOR LU-2818-7					1	
35		SM8050612TP		SCREW M5X6	FOR LU-2818-7					2	
36		40112252		OPENER_METAL	FOR LU-2818-7					1	

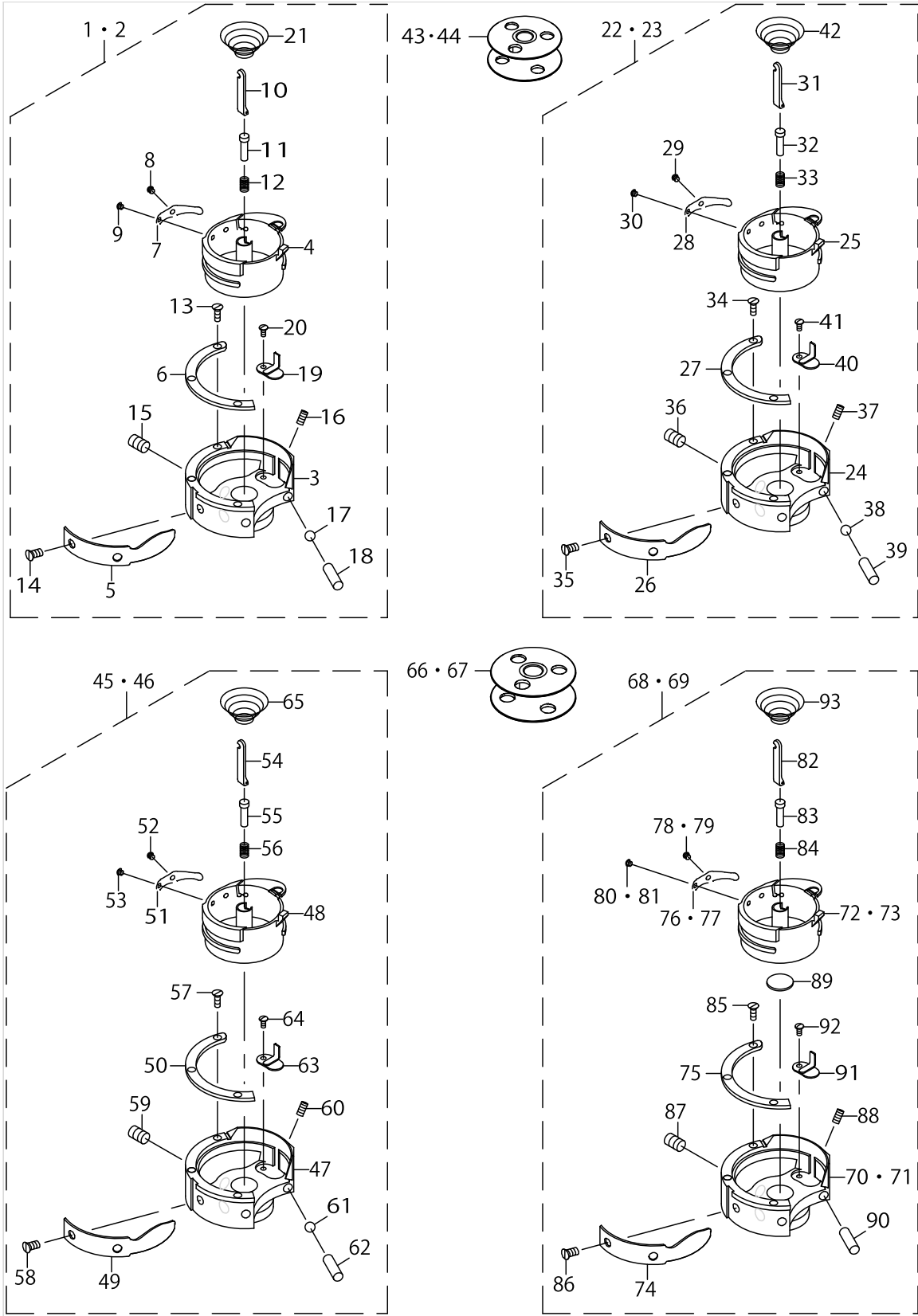
OPENNER COMPONENTS



OPENER COMPONENTS

No.	Supply Code	Parts No.	Replacement	Parts name	Remarks	Choice	Step	Level	Cons	Qty	Rep. QTY
37		40135475		OPENER_DRIVING_ARM	FOR LU-2818-7					1	
38		40135473		OPENER_METAL	FOR LU-2818-7					1	
39		WP0740516SP		WASHER 7.4X11.8X0.5	FOR LU-2818-7					1	

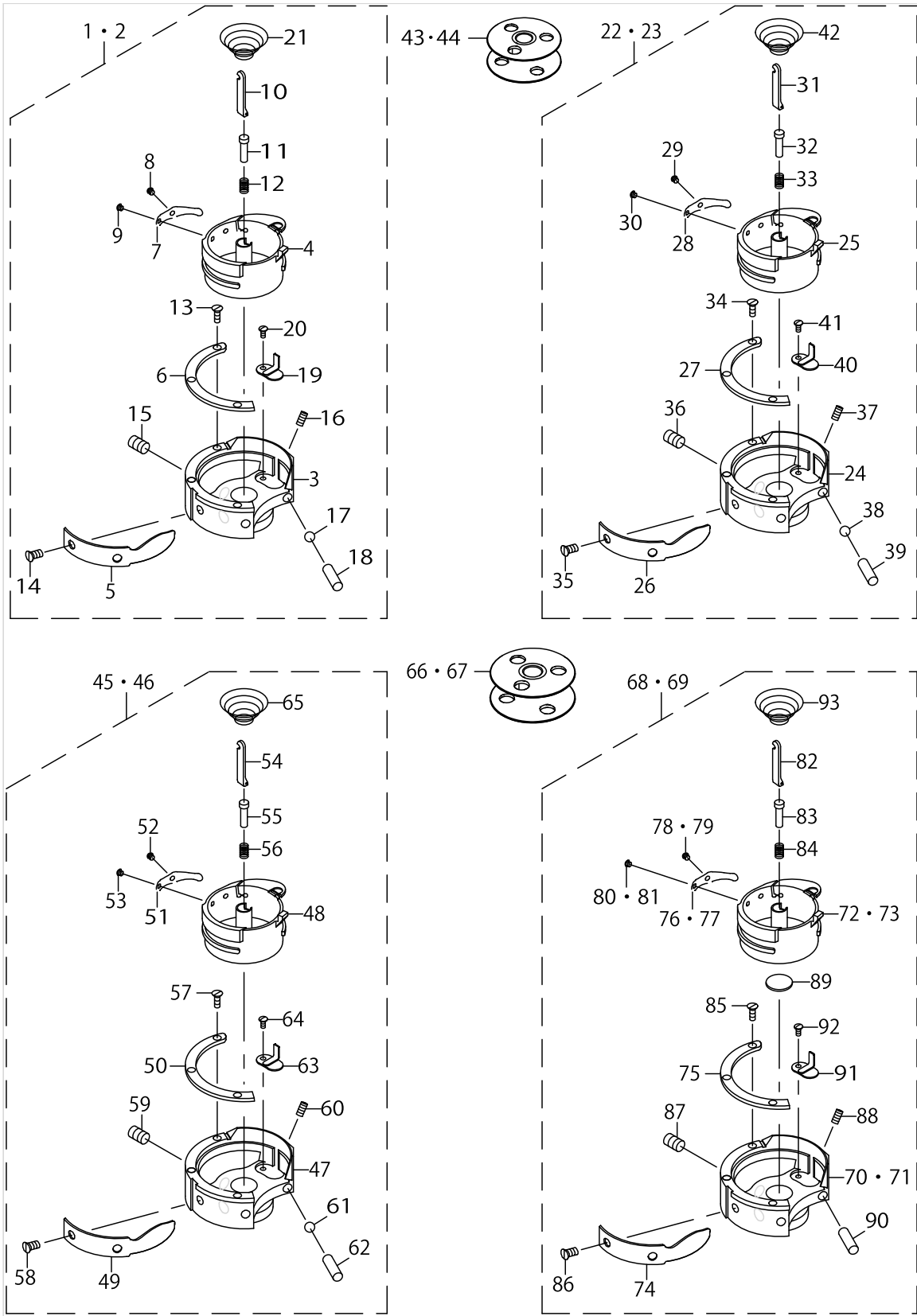
HOOK COMPONENTS



HOOK COMPONENTS

No.	Supply Code	Parts No.	Replacement	Parts name	Remarks	Choice	Step	Level	Cons	Qty	Rep. QTY
1		40131956		HOOK_ASM_T	SELECTIVE PARTS FOR LU-2810-7				☆	1	
2		40131956		HOOK_ASM_T	SELECTIVE PARTS FOR LU-2860-7				☆	2	
3		40148039		OUTER_HOOK				*	☆	1	
4		40148040		INNER_HOOK				*	☆	1	
5		40079896		NEEDLE HOLDER				*	☆	1	
6		40148033		INNER_HOOK_HOLDER				*	☆	1	
7		40079898		TENTION_SPRING				*	☆	1	
8		40079899		ADJUSTING_SCREW				*	☆	1	
9		40079900		TENTION_SPRING_SETSCREW				*	☆	1	
10		40079901		BOBBIN_PRESSER				*	☆	1	
11		40079902		PRESSER LIFTER				*	☆	1	
12		40079903		PRESSER LIFTER SPRING				*	☆	1	
13		40079904		INNER_HOOK_HOLDER_SETSCREW				*	☆	3	
14		40079905		NEEDLE HOLDER SETSCREW				*	☆	2	
15		40075542		OUTER_HOOK_SETSCREW				*	☆	2	
16		40079909		NEEDLE HOLDER A-DJUSTING SCREW				*	☆	1	
17		40148037		BALL				*	☆	1	
18		40148038		SLIDE_PIN				*	☆	1	
19		40075548		OIL_COVER				*	☆	1	
20		40075547		OIL_COVER_SETSCREW				*	☆	1	
21		40079912		IDLING PRIVENTION SPRING				*	☆	1	
22		40126399		HOOK_ASM	FOR LU-2810				☆	1	
23		40126399		HOOK_ASM	FOR LU-2860				☆	2	
24		40148031		OUTER_HOOK				*	☆	1	
25		40148032		INNER_HOOK				*	☆	1	
26		40079896		NEEDLE HOLDER				*	☆	1	
27		40148033		INNER_HOOK_HOLDER				*	☆	1	
28		40148034		TENTION_SPRING				*	☆	1	
29		40148035		ADJUSTING_SCREW				*	☆	1	
30		40148036		TENTION_SPRING_SETSCREW				*	☆	1	
31		40079901		BOBBIN PRESSER				*	☆	1	
32		40079902		PRESSER LIFTER				*	☆	1	
33		40079903		PRESSER LIFTER SPRING				*	☆	1	
34		40079904		INNER_HOOK_HOLDER_SETSCREW				*	☆	3	
35		40079905		NEEDLE HOLDER SETSCREW				*	☆	2	
36		40075542		OUTER_HOOK_SETSCREW				*	☆	2	
37		40079909		NEEDLE HOLDER A-DJUSTING SCREW				*	☆	1	
38		40148037		BALL				*	☆	1	
39		40148038		SLIDE_PIN				*	☆	1	
40		40075548		OIL_COVER				*	☆	1	
41		40075547		OIL_COVER_SETSCREW				*	☆	1	
42		40079912		IDLING PRIVENTION SPRING				*	☆	1	
43		21334800		ALUMINUM BOBBIN WITH KNURL	FOR LU-2-810,2810-7				☆	1	

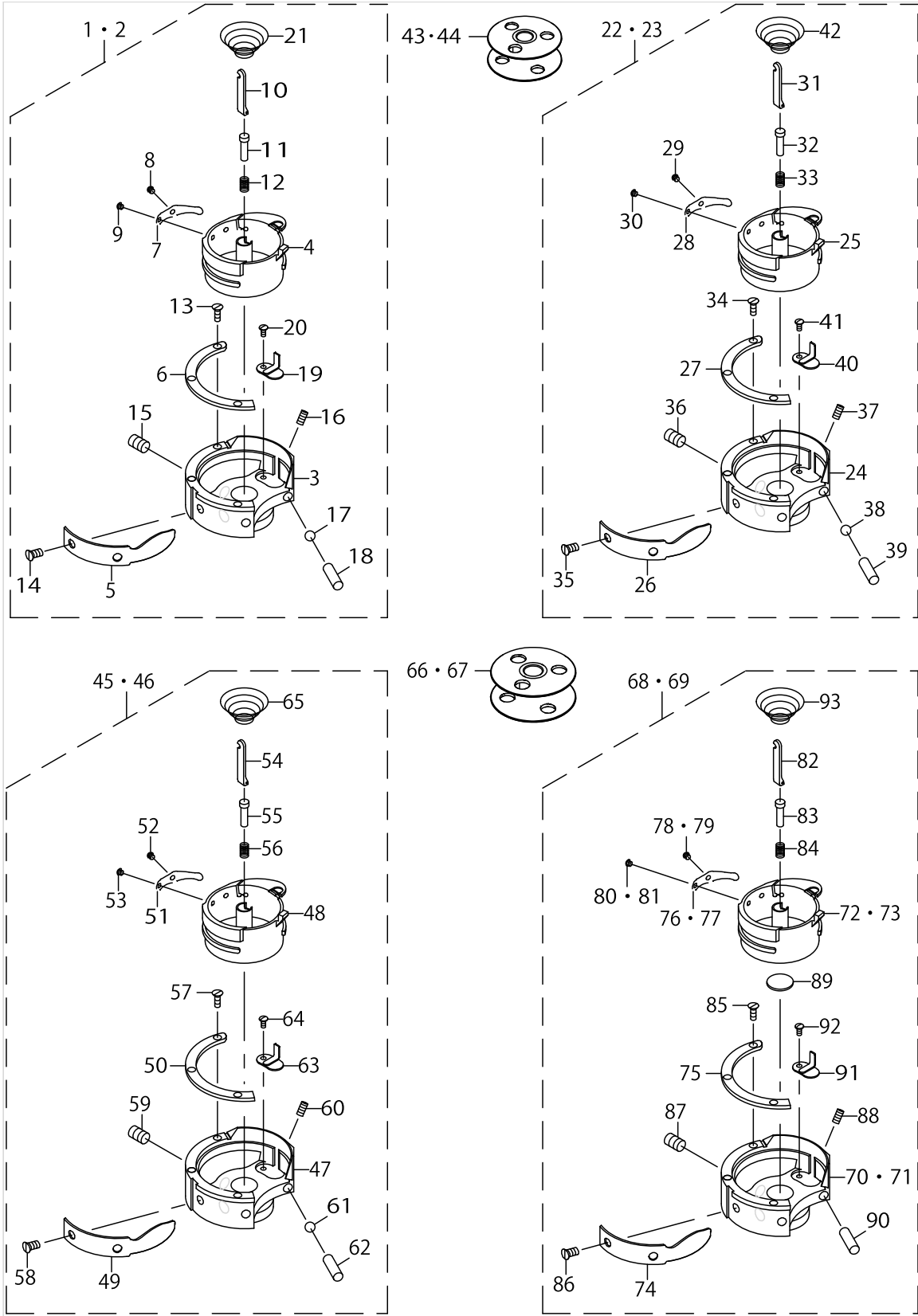
HOOK COMPONENTS



HOOK COMPONENTS

No.	Supply Code	Parts No.	Replacement	Parts name	Remarks	Choice	Step	Level	Cons	Qty	Rep. QTY
44		21334800		ALUMINUM BOBBIN WITH KNURL	FOR LU-2-860,2860-7				☆	2	
45		40147985		TRIM HOOK ASM. XXL LP	FOR LU-2818-7				☆	1	
46		40147985		TRIM HOOK ASM. XXL LP	FOR LU-2868-7				☆	2	
47		40149030		OUTER_HOOK				*	☆	1	
48		40149038		INNER_HOOK				*	☆	1	
49		40149032		NEEDLE HOLDER				*	☆	1	
50		40149033		INNER_HOOK HOLDER				*	☆	1	
51		40079898		TENTION SPRING				*	☆	1	
52		40079899		ADJUSTING SCREW				*	☆	1	
53		40079900		TENTION SPRING SETSCREW				*	☆	1	
54		40149034		BOBBIN_PRESSER				*	☆	1	
55		40079902		PRESSER LIFTER				*	☆	1	
56		40079903		PRESSER LIFTER SPRING				*	☆	1	
57		40149035		INNER_HOOK HOLDER SETSCREW				*	☆	3	
58		40149036		NEEDLE HOLDER SETSCREW				*	☆	2	
59		40075542		OUTER_HOOK SETSCREW				*	☆	2	
60		40079909		NEEDLE HOLDER A-DJUSTING SCREW				*	☆	1	
61		40148037		BALL				*	☆	1	
62		40149037		SLIDE_PIN				*	☆	1	
63		40075547		OIL_COVER SETSCREW				*	☆	1	
64		40075548		OIL_COVER				*	☆	1	
65		40079912		IDLING PRIVENTION SPRING				*	☆	1	
66		40147913		BOBBIN	FOR LU-2818-7				☆	1	
67		40147913		BOBBIN	FOR LU-2868-7				☆	2	
68	R	40142204	40131956	HOOK_T_ASM	SELECTIVE PARTS FOR JA(LU-281-0-7,2860-7)					1	1.00
69		40142203		HOOK_S_ASM	SELECTIVE PARTS FOR JA(LU-2810,2860)					1	
70		40169451		OUTER_HOOK	SELECTIVE PARTS FOR JA(LU-281-0-7,2860-7)			*		1	
71		40169431		OUTER_HOOK	SELECTIVE PARTS FOR JA(LU-2810,2860)			*		1	
72		40169452		INNER_HOOK	SELECTIVE PARTS FOR JA(LU-281-0-7,2860-7)			*		1	
73		40169432		INNNER_HOOK	SELECTIVE PARTS FOR JA(LU-2810,2860)			*		1	
74		40169434		NEEDLE HOLDER				*		1	
75		40169433		INNNER_HOOK HOLDER				*		1	
76		40169453		TENTION_SPRING	SELECTIVE PARTS FOR JA(LU-281-0-7,2860-7)			*		1	
77		40169438		TENTION_SPRING	SELECTIVE PARTS FOR JA(LU-2810,2860)			*		1	

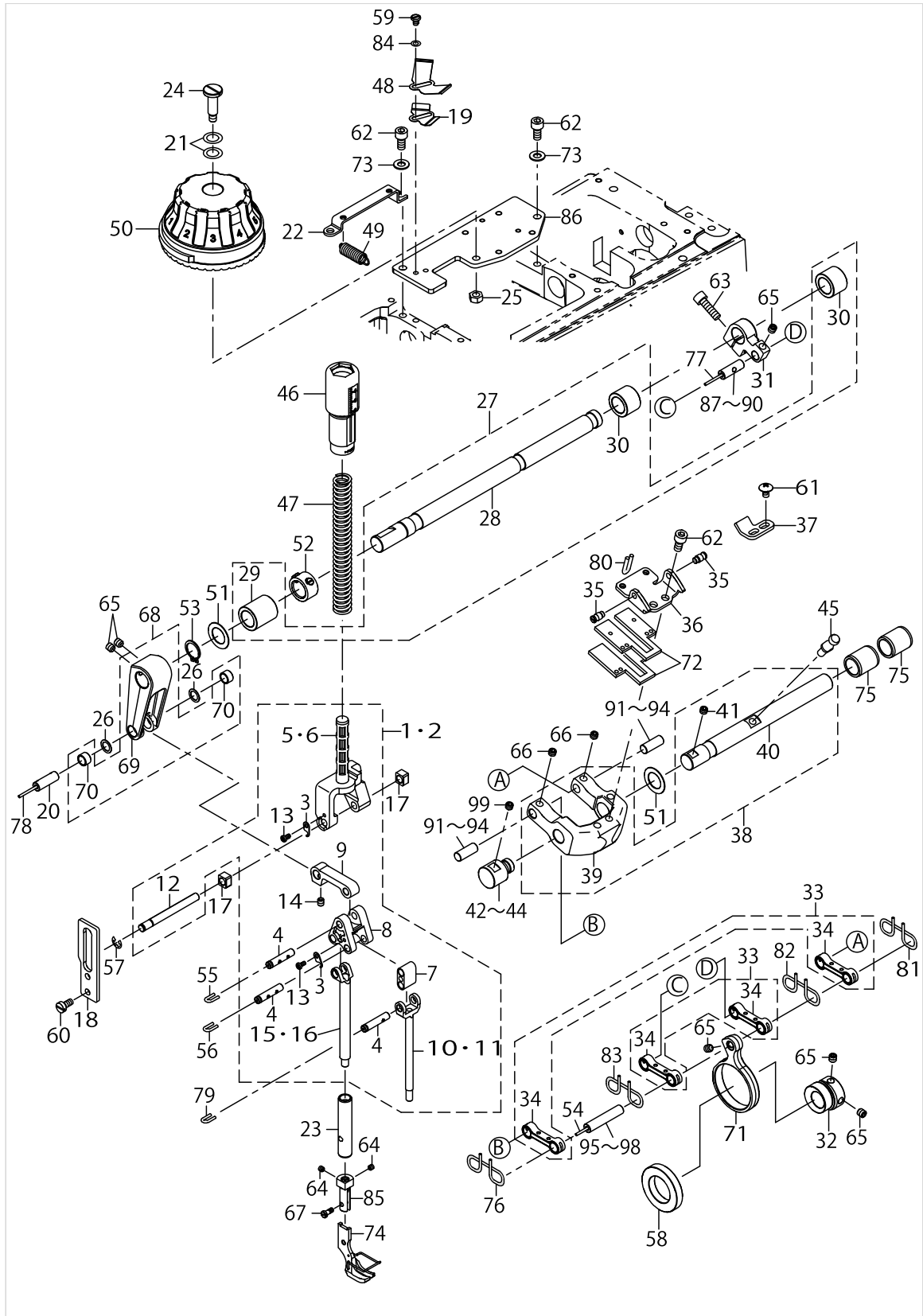
HOOK COMPONENTS



HOOK COMPONENTS

No.	Supply Code	Parts No.	Replacement	Parts name	Remarks	Choice	Step	Level	Cons	Qty	Rep. QTY
78		40169455		TENTION_SPRING_SETSCREW	SELECTIVE PARTS FOR JA(LU-281-0-7,2860-7)			*		1	
79		40169441		TENTION_SPRING_SETSCREW	SELECTIVE PARTS FOR JA(LU-2810,2860)			*		1	
80		40169454		ADJUSTING_SCREW	SELECTIVE PARTS FOR JA(LU-281-0-7,2860-7)			*		1	
81		40169440		ADJUSTING_SCREW	SELECTIVE PARTS FOR JA(LU-2810,2860)			*		1	
82		40169435		BOBBIN_PRESSER				*		1	
83		40169436		BOBBIN_PRESSER_PIN				*		1	
84		40169437		BOBBIN_PRESSER_SPRING				*		1	
85		40169439		INNER_HOOK_HOLDER_SETSCREW				*		3	
86		40169442		NEEDLE_HOLDER_SETSCREW				*		2	
87		40169446		OUTER_HOOK_SETSCREW				*		2	
88		40169450		NEEDLE_HOLDER_ADJUSTING_SCREW				*		1	
89		40169445		SHAFT_COVER				*		1	
90		40169449		SLIDE_PIN				*		1	
91		40169447		OIL_COVER				*		1	
92		40169448		OIL_COVER_SETSCREW				*		1	
93		40169443		IDLING_PRIVENTION_SPRING				*		1	

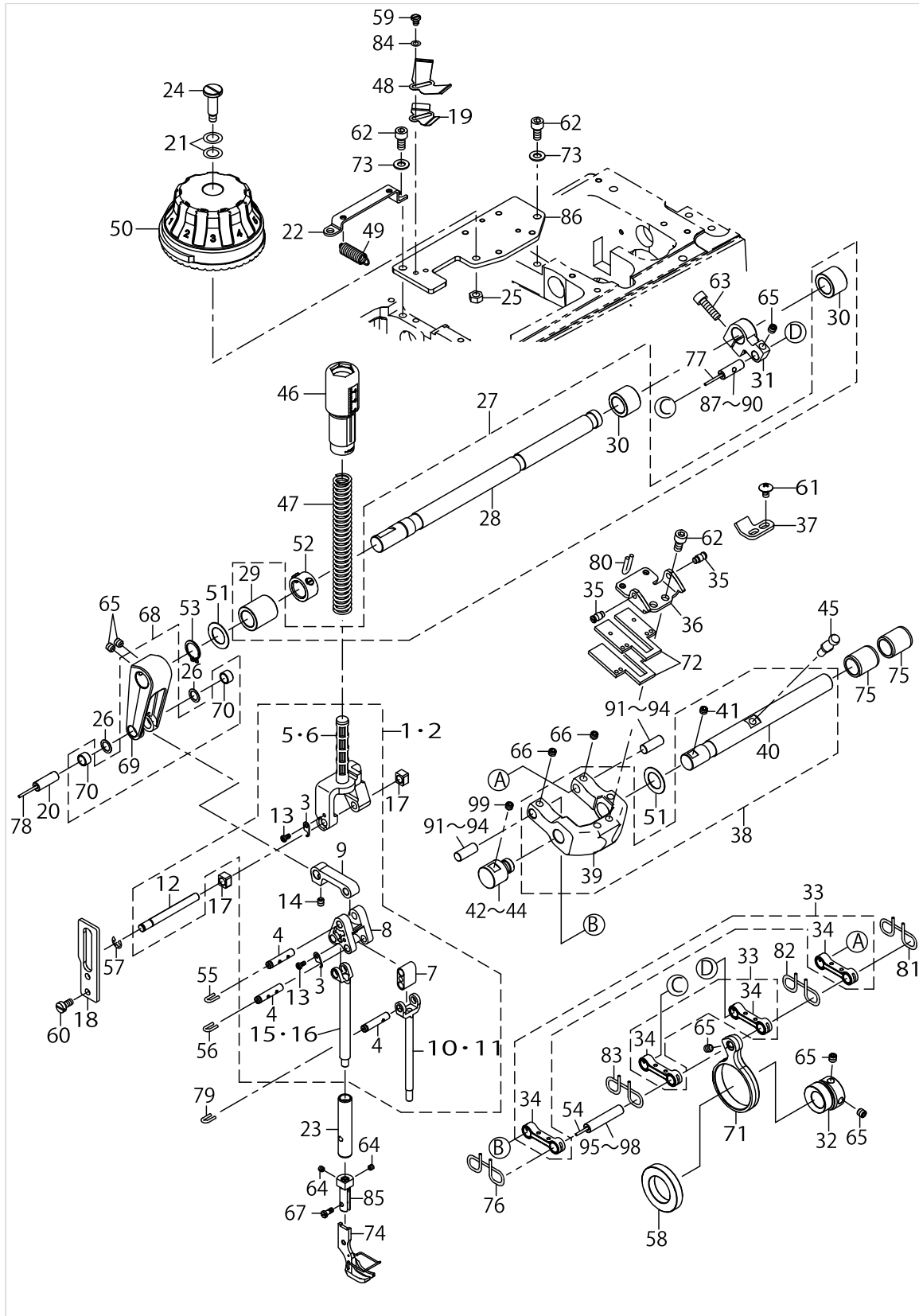
UPPER FEED COMPONENTS



UPPER FEED COMPONENTS

No.	Supply Code	Parts No.	Replacement	Parts name	Remarks	Choice	Step	Level	Cons	Qty	Rep. QTY
1		40144288		UPPER_FEED F ASM..S	FOR LU-2-810S,2810-S-7,2860S, 2860S-7					1	
2		40144289		UPPER_FEED F ASM..E	FOR LU-2-810A,2810-A-7,2860A, 2860A-7,2-818A-7,2868A-7					1	
3		10710804		TRIANGLE LEVER S-HAFT STOPPER				*		2	
4		40112176		CONNECTION_PIN				*		3	
5	R	40144286	40144288	SPRING RECEIVING S	FOR LU-2-810S,2810-S-7,2860S, 2860S-7			*		1	1.00
6	R	40144287	40144289	SPRING RECEIVING E	FOR LU-2-810A,2810-A-7,2860A, 2860A-7,2-818A-7,2868A-7			*		1	1.00
7		40176628		WALKING_BAR_DRIVING_LINK				*		1	
8		40125852		TRIANGULAR_LEVER				*		1	
9		40125854		UPPER_FEED_LINK_A				*		1	
10		40125936		WALKING_BAR_S	FOR LU-2-810S,2810-S-7,2860S, 2860S-7			*		1	
11		40125937		WALKING_BAR_E	FOR LU-2-810A,2810-A-7,2860A, 2860A-7,2-818A-7,2868A-7			*		1	
12		40126166		PRESSER_BAR_GUIDE_SHAFT				*		1	
13		SM4030601SN		SCREW M3X6				*		2	
14		SM8050612TP		SCREW M5X6				*		1	
15		40125860		PRESSURE_BAR_S_A	FOR LU-2-810S,2810-S-7,2860S, 2860S-7			*		1	
16		40125861		PRESSURE_BAR_E	FOR LU-2-810A,2810-A-7,2860A, 2860A-7,2-818A-7,2868A-7			*		1	
17		40090058		SLIDE BLOCK						2	
18		40125943		PRESSER ROD GUIDE						1	
19		40154199		LEAF_SPRING_ADJUSTING_PLATE						1	
20		40123634		ROCKING_LINK_PIN						1	
21		40023627		PRESSER PLATE SHEET WASHER						2	
22		40125867		SPRING_HOOK						1	
23		40171574		PRESSER_BAR_BUSHING						1	
24	R	SD0802126TP	40082079	SHOULDER SCREW D=8 H=21.2						1	1.00
25		NM6060001SD		NUT M6						1	
26		E2613700000		WASHER						2	
27		40123319		UPPER_FEED_SHAFT_ASM.						1	
28		40123262		UPPER_FEED_SHAFT				*		1	
29	R	40123320	40123319	UPPER_FEED_SHAFT_METAL_F				*		1	1.00
30	R	40123321	40123319	UPPER_FEED_SHAFT_METAL_R				*		2	1.00
31		40126160		UPPER_FEED_REAR_ARM						1	
32		40126390		UPPER_FEED_CAM						1	
33		40126338		CONNECTION_LINK_ASM.						2	

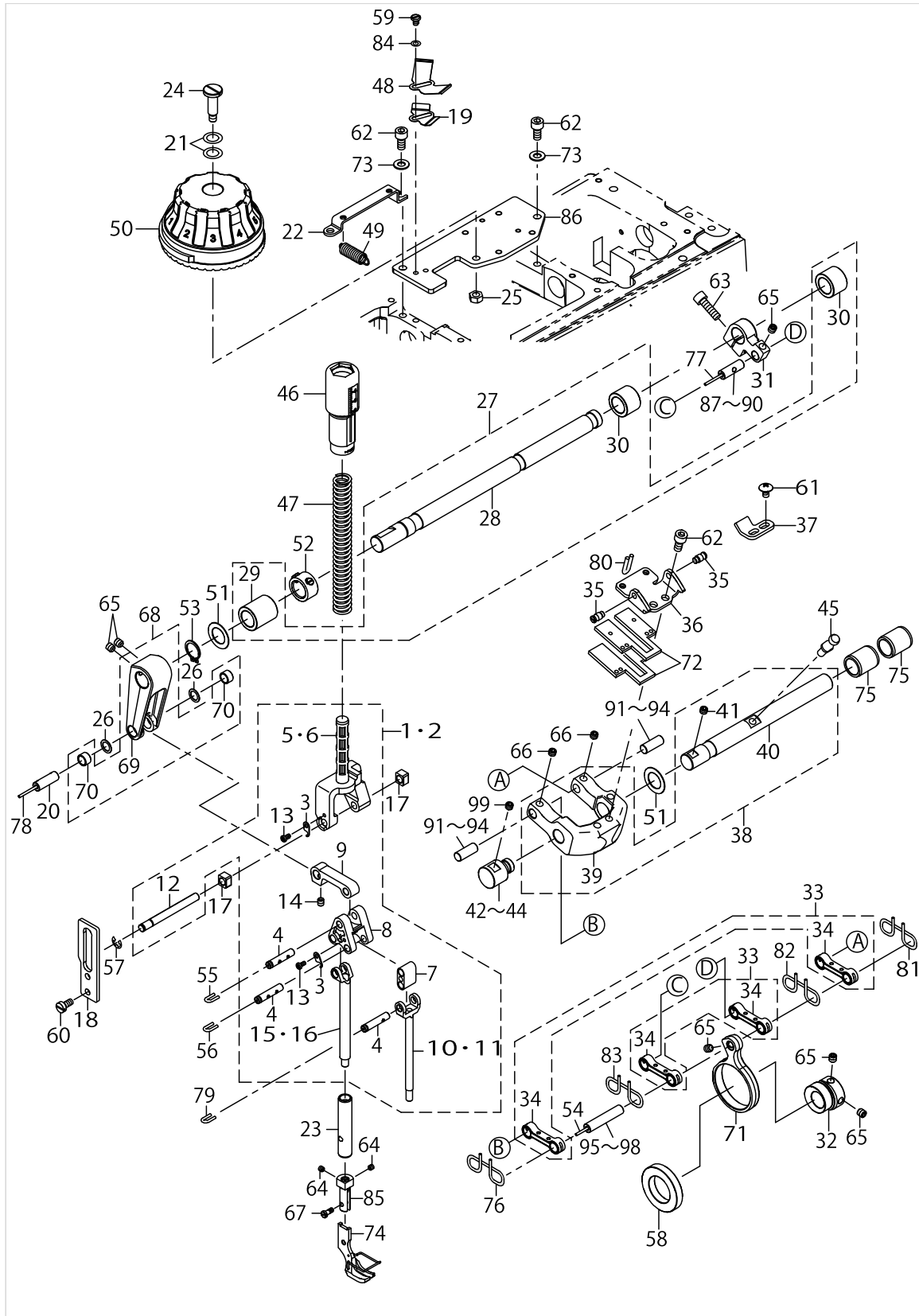
UPPER FEED COMPONENTS



UPPER FEED COMPONENTS

No.	Supply Code	Parts No.	Replacement	Parts name	Remarks	Choice	Step	Level	Cons	Qty	Rep. QTY
34	R	40126223	40126338	CONNECTION_LINK				*		2	1.00
35		40038494		THREAD_BIND_ARM_SPRING RAC						2	
36		40126269		CHANGE_BASE_SPRING_RACK						1	
37		40126264		CHANGE_BASE_STOPPER						1	
38		40123416		UPPER_FEED_CHANGE_BASE_ASM.						1	
39	R	40123414	40123416	UPPER_FEED_CHANGE_BASE				*		1	1.00
40	R	40123555	40123416	UF_CHANGE_BASE_SHAFT				*		1	1.00
41		SM80608A2TP		SCREW M6 L=8				*		1	
42		40145548		UF_CHANGE_BASE_SUPPORT_PIN	SELECTIVE PARTS					1	
43		40145549		UF_CHANGE_BASE_SUPPORT_PIN	SELECTIVE PARTS					1	
44		40145550		UF_CHANGE_BASE_SUPPORT_PIN	SELECTIVE PARTS					1	
45		40126374		VERTICAL_ADJUSTING_PIN						1	
46		40125926		PRESSER_ADJUSTING_SCREW						1	
47		40112197		PRESSER_SPRING				☆		1	
48		40112199		LEAF_SPRING						1	
49		40126400		SPRING						2	
50		40125850		VERTICAL_DIAL(VE)						1	
51		D1231555B00		WASHER						2	
52		22904155		MAIN SHAFT THRU-ST COLLAR ASM.						1	
53		RC0150001KP		RETAINING RING 13.8						1	
54		CQ202000000		OIL WICK						.042	
55		CQ252000000		OIL WICK						.048	
56		CQ252000000		OIL WICK						.048	
57		RE0500000K0		E-RING						1	
58		SB125000600		BEARING						1	
59		SM6040650TP		SCREW						2	
60		SM6051000SP		SCREW						2	
61		SM0050801SC		SCREW						2	
62		SM6061202TP		SCREW M6 L=12						5	
63		SM6062002TP		SCREW M6 L=20						1	
64		SM8040412TP		SET SCREW M4 L=4	FOR LU-2-810S,2810-S-7,2860S, 2860S-7					2	
65		SM8060612TP		SCREW M6 L=6						6	
66		SM8060552TP		SCREW M6 L=5						2	
67		SS6090910TP		SCREW 9/64-40 L=9	FOR LU-2-810S,2810-S-7,2860S, 2860S-7					1	
68		40126159		UPPER_FEED_FRONT_ARM_ASM.						1	
69	R	40126157	40126159	UPPER_FEED_FRONT_ARM				*		1	1.00
70	R	40126158	40126159	UPPER_FEED_FRONT_ARM_BUSH				*		2	1.00
71		40125876		UPPER_FEED_CAM_ROD						1	
72		40123345		FELT						2	
73		WP0651001SC		WASHER						2	
74		21350152		PRESSER FOOT ASM.	EXCHANGING GAUGE PARTS (SEE.P.53)					1	
75		22913008		FEED ROCKER SHAFT BUSHING						2	
76		CQ202000000		OIL WICK						.25	

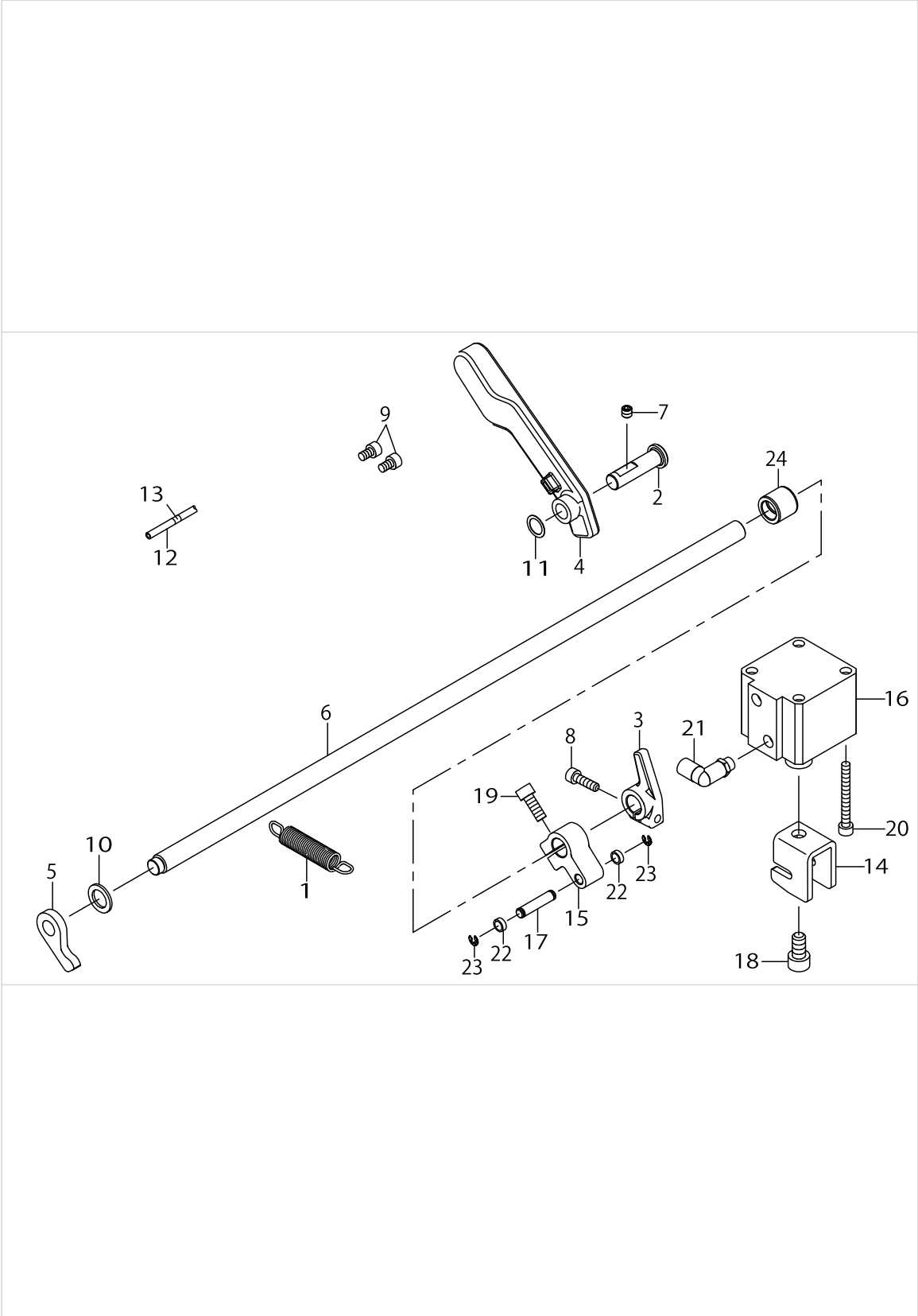
UPPER FEED COMPONENTS



UPPER FEED COMPONENTS

No.	Supply Code	Parts No.	Replacement	Parts name	Remarks	Choice	Step	Level	Cons	Qty	Rep. QTY
77		CQ202000000		OIL WICK						.02	
78		CQ202000000		OIL WICK						.02	
79		CQ252000000		OIL WICK						.048	
80		CQ202000000		OIL WICK						.1	
81		CQ202000000		OIL WICK						.25	
82		CQ202000000		OIL WICK						.25	
83		CQ202000000		OIL WICK						.25	
84		WP0430800SD		WASHER M4						4	
85		40125877		PRESSURE_BAR_S_B	FOR LU-2-810S,2810S-7					1	
86		40125868		INSTALLING_PLATE						1	
87		40149115		ROCKING_LINK_PIN_A	SELECTIVE PARTS					1	
88		40149116		ROCKING_LINK_PIN_B	SELECTIVE PARTS					1	
89		40149117		ROCKING_LINK_PIN_C	SELECTIVE PARTS					1	
90		40149118		ROCKING_LINK_PIN_D	SELECTIVE PARTS					1	
91		40149120		FEED_ADJUSTING_PIN_A	SELECTIVE PARTS					2	
92		40149121		FEED_ADJUSTING_PIN_B	SELECTIVE PARTS					2	
93		40149122		FEED_ADJUSTING_PIN_C	SELECTIVE PARTS					2	
94		40149123		FEED_ADJUSTING_PIN_D	SELECTIVE PARTS					2	
95		40149125		FEED_ROD_PIN_A	SELECTIVE PARTS					1	
96		40149126		FEED_ROD_PIN_B	SELECTIVE PARTS					1	
97	D	40149127		FEED_ROD_PIN_C	SELECTIVE PARTS					1	
98		40149128		FEED_ROD_PIN_D	SELECTIVE PARTS					1	
99		SM80608A2TP		SCREW M6 L=8						1	

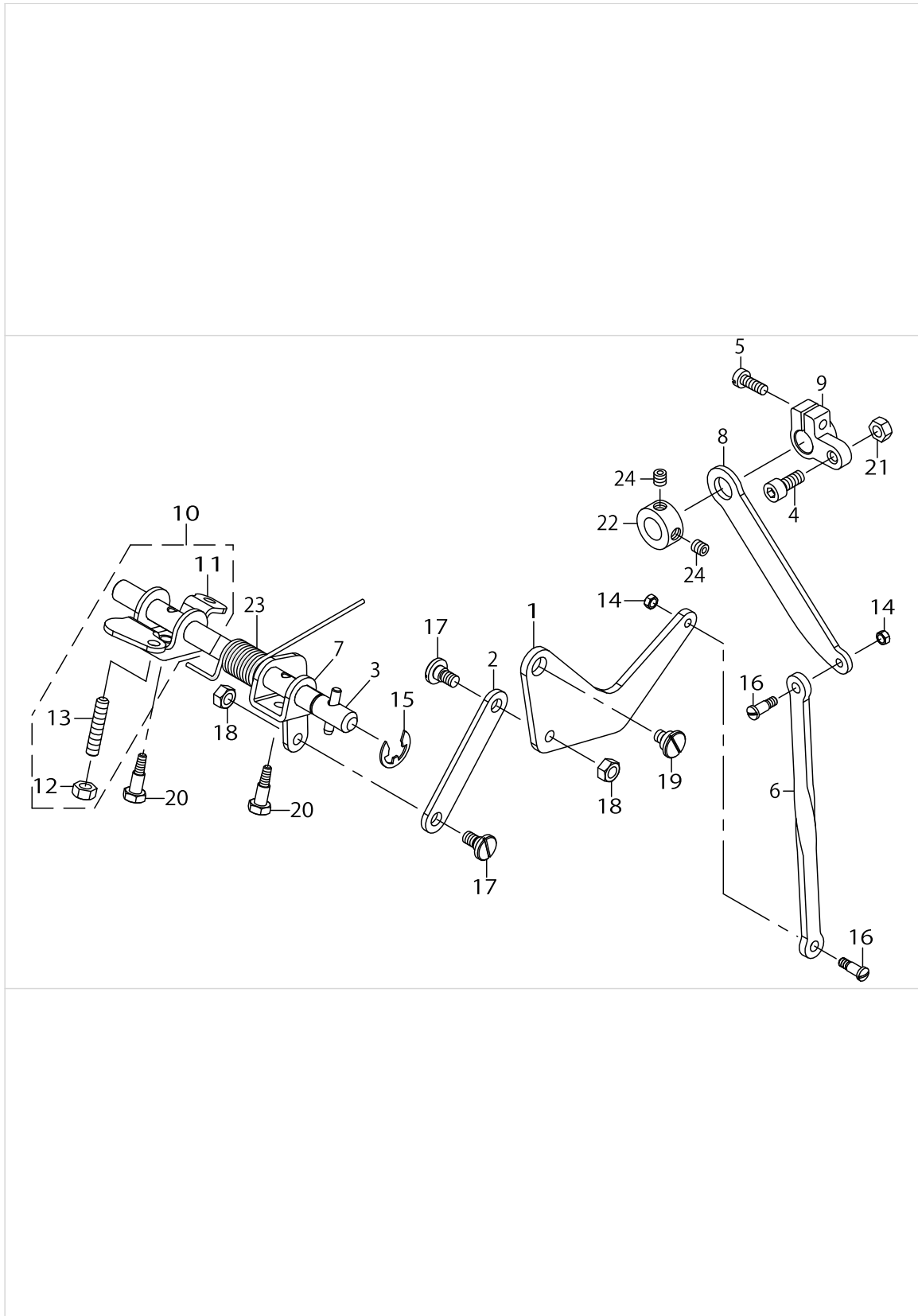
HAND LIFTER & AUTO LIFTER COMPONENTS



HAND LIFTER & AUTO LIFTER COMPONENTS

No.	Supply Code	Parts No.	Replacement	Parts name	Remarks	Choice	Step	Level	Cons	Qty	Rep. QTY
1		40126367		SPRING						1	
2		40006716		THREAD_TRIMMER_SHAFT						1	
3		40112184		LIFTER_LEVER_A						1	
4		40126150		LIFTER_LEVER_B						1	
5		40144283		LIFTER PLATE						1	
6		40126364		LIFTER_SHAFT						1	
7		SM8060612TP		SCREW M6 L=6						1	
8		SM6051802TP		SCREW M5 L=18						1	
9		SM6050802TP		SCREW M5X0.8 L=8						2	
10		13409107		WASHER						1	
11		WZ1052010KP		WAVED WASHER						1	
12		BT0400251EB		URETHANE HOSE BLACK	FOR LU-2- 810-7,2860- -7, 2818-7,2868-7					.62	
13		18035303		WIRE MARK (4)	FOR LU-2- 810-7,2860- -7, 2818-7,2868-7					1	
14		40112187		KNUCKLE_JOINT_A	FOR LU-2- 810-7,2860- -7, 2818-7,2868-7					1	
15		40112188		LIFTING_ARM	FOR LU-2- 810-7,2860- -7, 2818-7,2868-7					1	
16		PA400150200		AIR CYLINDER	FOR LU-2- 810-7,2860- -7, 2818-7,2868-7					1	
17		22949101		ROLLER FULCRUM SHAFT	FOR LU-2- 810-7,2860- -7, 2818-7,2868-7					1	
18		SM6081552TP		SCREW M8 L=15	FOR LU-2- 810-7,2860- -7, 2818-7,2868-7					1	
19		SM6061602TP		SCREW M6 L=16	FOR LU-2- 810-7,2860- -7, 2818-7,2868-7					1	
20		SM6054502TN		SCREW M5 L=45	FOR LU-2- 810-7,2860- -7, 2818-7,2868-7					4	
21		PJ304045102		ELBOW UNION C	FOR LU-2- 810-7,2860- -7, 2818-7,2868-7					1	
22		13951009		PRESSER FOOT ROLLER	FOR LU-2- 810-7,2860- -7, 2818-7,2868-7					2	
23		RE0400000K0		E-RING 4	FOR LU-2- 810-7,2860- -7, 2818-7,2868-7					2	
24		40086018		BUSHING_MAIN_FEED						1	

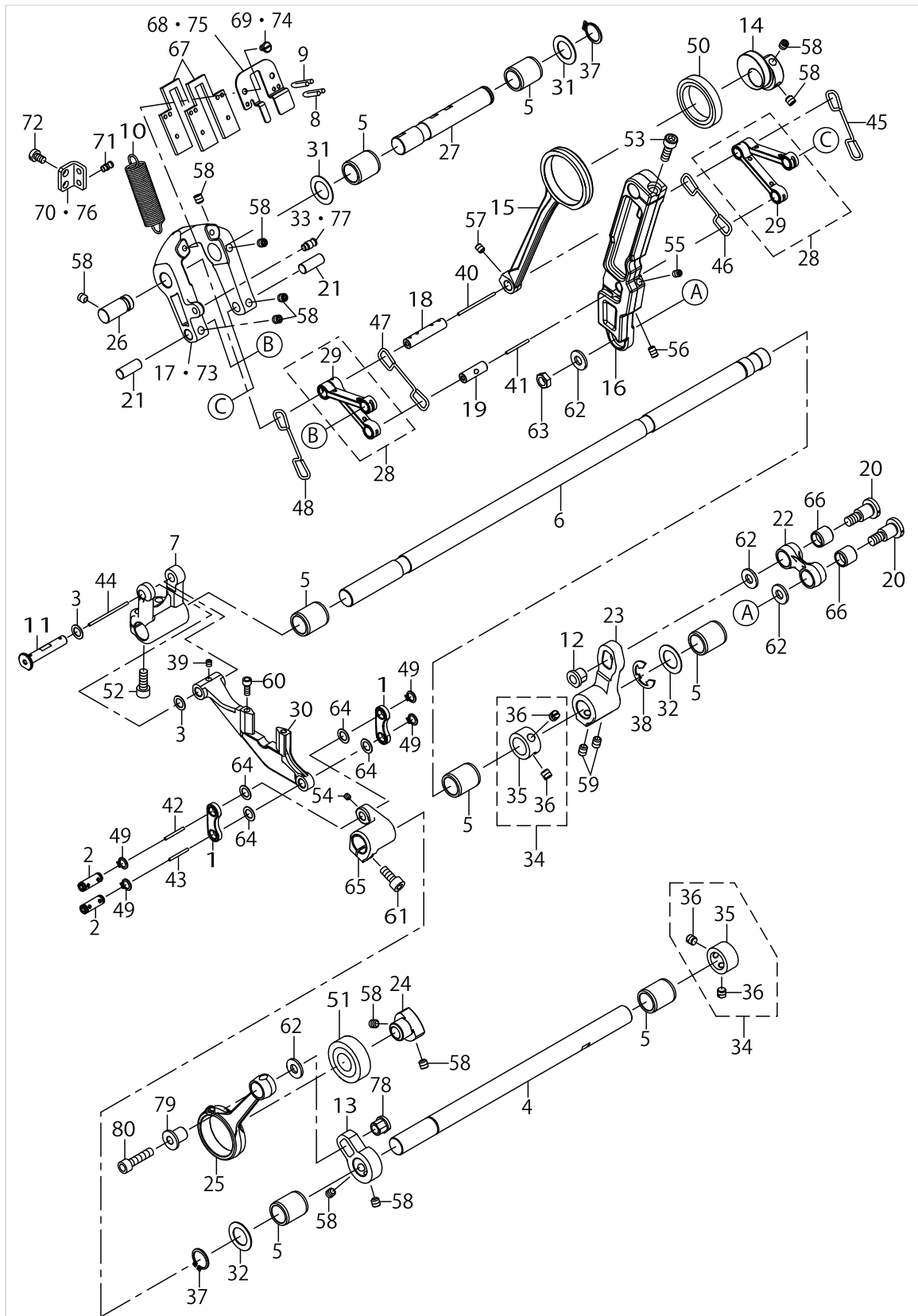
KNEE LIFTER COMPONENTS (FOR LU-2810,2860)



KNEE LIFTER COMPONENTS (FOR LU-2810,2860)

No.	Supply Code	Parts No.	Replacement	Parts name	Remarks	Choice	Step	Level	Cons	Qty	Rep. QTY
1		40126270		KNEE_PAD_LINK_A						1	
2		40126271		KNEE_PAD_LINK_B						1	
3		40126356		KNEE_LIFTER_SHAFT_ASM.						1	
4		SM6051202TP		SCREW M5X0.8 L=12						1	
5		SM6051400SP		SCREW						1	
6		40126272		KNEE_PAD_LINK_D						1	
7		40126273		KNEE_PAD_DRIVING_ARM						1	
8		40126274		KNEE_PAD_LINK_C						1	
9		40112127		BACKWARD_FEED_C- ONNECTING_ARM						1	
10		22932156		KNEE LIFTER ROTA- TION ARM ASM.						1	
11	R	22932107	22932156	KNEE LIFTING ROTATING ARM				*		1	1.00
12		NM6060001SE		NUT M6				*		2	
13		SM8063012TR		SCREW M6 L=30				*		2	
14		NS6110310SP		NUT 11/64-40						2	
15		RE1000000K0		E-RING 10						1	
16		SD0500803TP		HINGESCREW D=5H=8						2	
17		40082078		SHOULDER SCREW D=7.24 H=3.3						2	
18		NM6060001SE		NUT M6						2	
19		SD1000406TP		SHOULDER SCREW						1	
20		SM9061853SR		SCREW M6 L=17.5						2	
21		NM6050001SD		NUT M5X0.8						1	
22		GS1201171TP		THRUST COLLAR D=12 W=11						1	
23		23639503		SPRING						1	
24		SM8060612TP		SCREW M6 L=6						2	

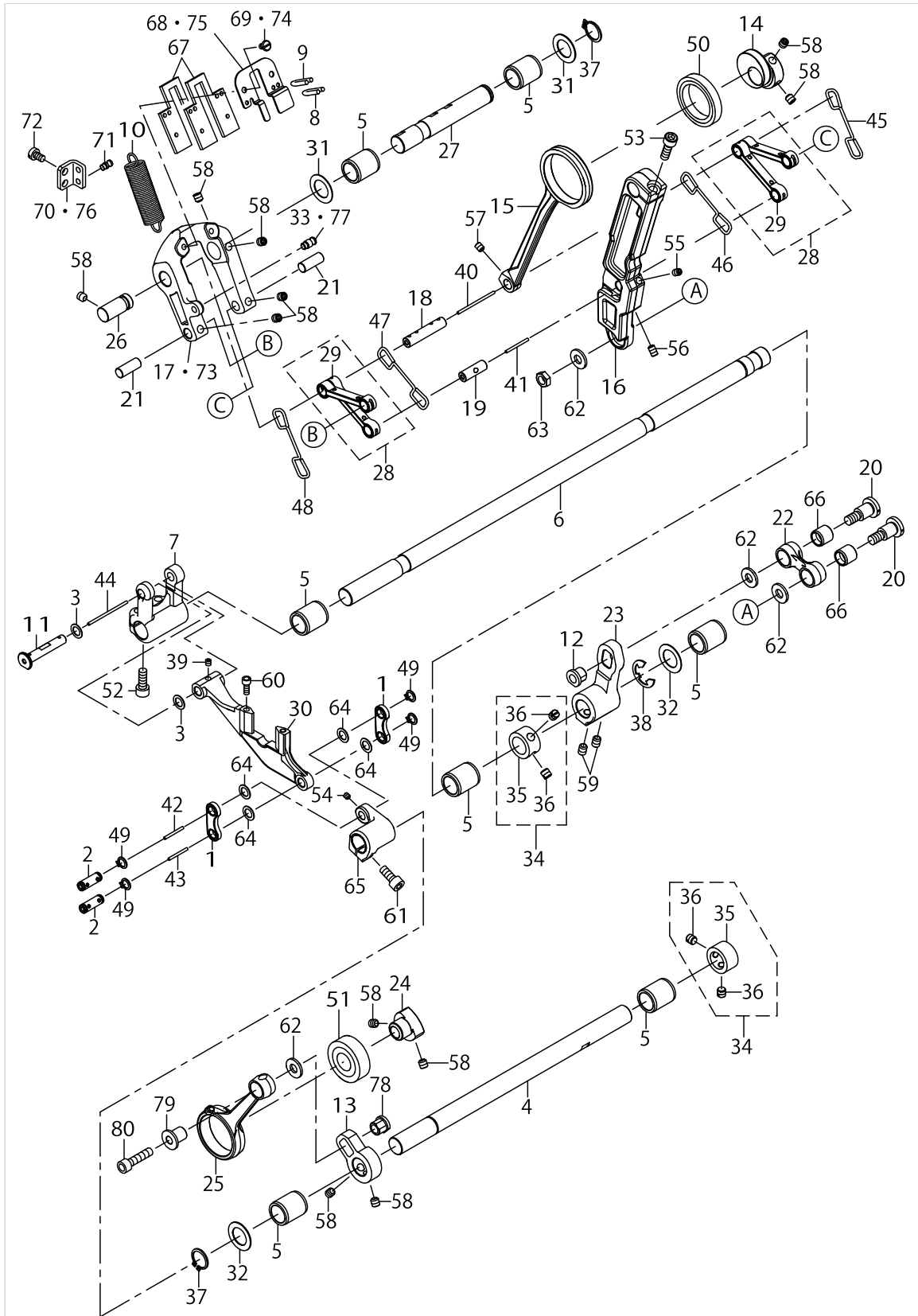
LOWER FEED COMPONENTS



LOWER FEED COMPONENTS

No.	Supply Code	Parts No.	Replacement	Parts name	Remarks	Choice	Step	Level	Cons	Qty	Rep. QTY
1		40123666		VERTICAL_LINK						2	
2		40143626		VERTICAL FEED LINK SHAFT						2	
3		WP0740516SP		WASHER 7.4X11.8X0.5						2	
4		40123667		VERTICAL_FEED_LINK						1	
5		22913008		FEED ROCKER SHAFT BUSHING						7	
6		40126386		HORIZONTAL_FEED_SHAFT						1	
7		40126161		FEED_BASE_ARM						1	
8		CQ202000000		OIL WICK						.05	
9		CQ202000000		OIL WICK						.05	
10		40126401		SPRING_B						1	
11		40112098		FEED_BASE_SHAFT						1	
12		40126357		VERTICAL_FEED_ROD_NUT						1	
13		40125843		VERTICAL_FEED_ARM_REAR						1	
14		40123626		HORIZONTAL_FEED_CAM						1	
15		40126151		HORIZONTAL_FEED_ROD						1	
16		40123547		NEEDLE_BAR_ROCKING_LINK						1	
17		40123629		HORIZONTAL_FEED_CHANGE_BASE	FOR LU-2- 810,2860,2- 810-7 2860-7					1	
18		40112118		FEED_ROD_PIN						1	
19		40123634		ROCKING_LINK_PIN						1	
20		SD1021251SP		HINGE SCREW D=10.20 H=12.5						2	
21		40126375		FEED_ADJUSTING_PIN_A						2	
22		40125856		CONNECTION_LINK						1	
23		40123668		HORIZONTAL_FEED_ARM						1	
24		40123627		VERTICAL_FEED_CAM						1	
25		40125857		VERTICAL_FEED_ROD						1	
26		40123639		HF_CHANGE_BASE_SUPPORT_PIN						1	
27		40123332		CHANGE_BASE_SHAFT						1	
28		40126339		CONNECTION_LINK_ASM.						2	
29	R	40123252	40126339	CONNECTION_LINK				*		2	1.00
30		40112293		FEED_BASE						1	
31		D1231555B00		WASHER						2	
32		B125578100A		WASHER A						2	
33		40038494		THREAD_BIND_ARM_SPRING RAC	FOR LU-2- 810,2860,2- 810-7 2860-7					1	
34		22904155		MAIN SHAFT THRU-ST COLLAR ASM.						2	
35	R	22904106	22904155	MAIN SHAFT THRUST COLLAR				*		1	1.00
36		SS8660610TP		SCREW 1/4-40 L=6				*		2	
37		RC0150001KP		RETAINING RING 13.8						2	
38		RE1200000K0		E-RING 12						1	
39		SS8110422TP		SCREW 11/64-40 L=4						1	
40		CQ202000000		OIL WICK						.042	
41		CQ202000000		OIL WICK						.02	
42		CQ202000000		OIL WICK						.024	
43		CQ202000000		OIL WICK						.024	
44		CQ202000000		OIL WICK						.04	

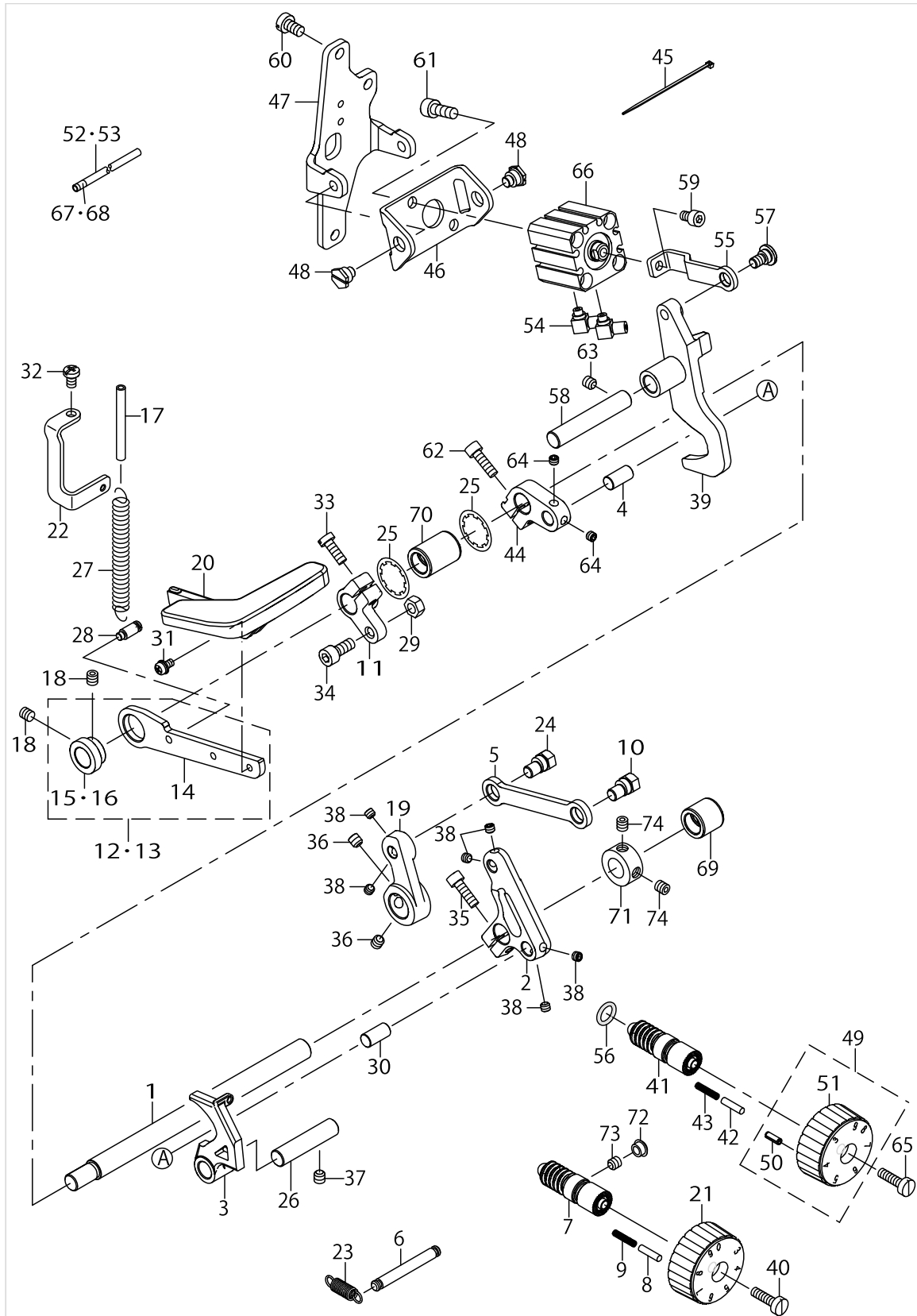
LOWER FEED COMPONENTS



LOWER FEED COMPONENTS

No.	Supply Code	Parts No.	Replacement	Parts name	Remarks	Choice	Step	Level	Cons	Qty	Rep. QTY
45		CQ202000000		OIL WICK							.3
46		CQ202000000		OIL WICK							.3
47		CQ202000000		OIL WICK							.3
48		CQ202000000		OIL WICK							.3
49		RC0650811KP		RETAINING RING							4
50		40143087		BEARING							1
51		40143085		BEARING							1
52		SM6061602TP		SCREW M6 L=16							2
53		SM6061802TP		SCREW M6 L=18							1
54		SM8040412TP		SET SCREW M4 L=4							1
55		SM8050842TP		SETSCREW							1
56		SM8050812TP		SCREW M5X8							1
57		SM8050612TP		SCREW M5X6							1
58		SM8060612TP		SCREW M6 L=6							11
59		SM8060812TP		SCREW M6 L=8							2
60		SS6111052TP		SCREW							2
61		SM6061402TP		SCREW M6 L=14							1
62		26018705		WASHER							4
63		NS6680410SP		NUT 9/32-28							1
64		WP0740516SP		WASHER 7.4X11.8X0.5							4
65		40125935		VERTICAL_FEED_ARM_FRONT							1
66		40126359		VERTICAL_FEED_ROD_BUSH							2
67		40123345		FELT							2
68		40123346		FELT HOLDER	FOR LU-2- 810,2860,2- 810-7 2860-7						1
69		SM6040650TP		SCREW	FOR LU-2- 810,2860,2- 810-7 2860-7						2
70		12288908		THROAT PLATE BASE B SUPPORT	FOR LU-2- 810,2860,2- 810-7 2860-7						1
71		26017400		SPRING RAC							1
72		SM6050800SP		SCREW M5 L=8							2
73		40137553		HORIZONTAL_FEED_CHANGE_BASE	FOR LU-2- 818-7,2868-7						1
74		SM6040650TP		SCREW	FOR LU-2- 818-7,2868-7						1
75		40137554		FELE HOLDER	FOR LU-2- 818-7,2868-7						1
76		40137779		SUPPORT_PLATE	FOR LU-2- 818-7,2868-7						1
77		40137780		SPRING_RAC	FOR LU-2- 818-7,2868-7						1
78		40154832		VERTICAL_FEED_ROD_NUT							1
79		40154833		VERTICAL_FEED_COLLAR							1
80		SM6062502TP		SCREW M6 L=25							1

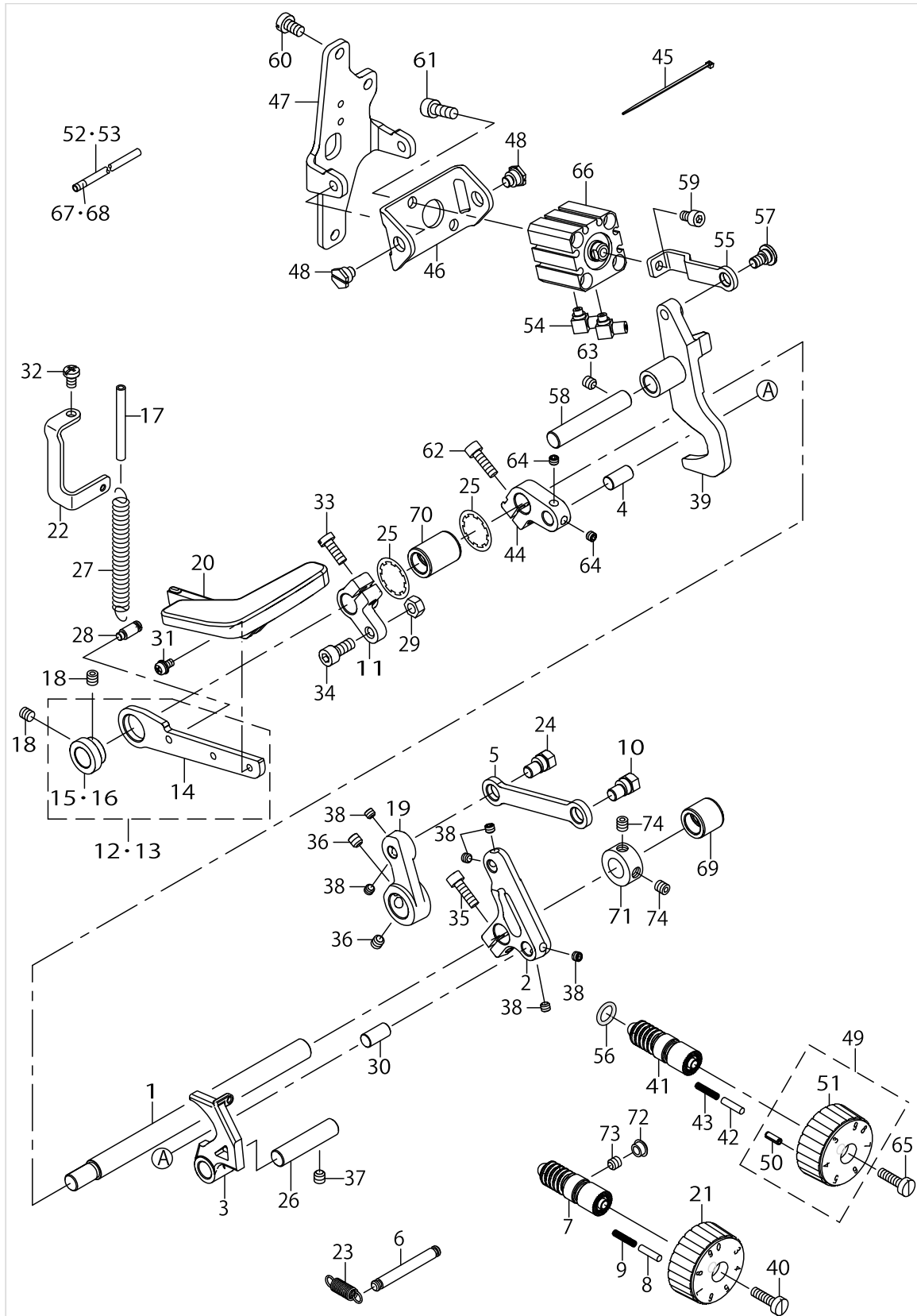
FEED ADJUST COMPONENTS (FOR LU-2810,2860,2810-7,2860-7)



FEED ADJUST COMPONENTS (FOR LU-2810,2860,2810-7,2860-7)

No.	Supply Code	Parts No.	Replacement	Parts name	Remarks	Choice	Step	Level	Cons	Qty	Rep. QTY
1		40126363		BACKWARD_FEED_LEVER_SHAFT						1	
2		40125934		FEED_ADJUSTING_PIN_HOLDER_A						1	
3		40125919		ADJUSTING_BASE_A						1	
4		40131887		FEED_ADJUSTING_PIN	FOR LU-2-810-7,2860-7					1	
5		40126561		FEED_ADJUSTING_LINK						1	
6		13518501		SPRINGSUSPENSION						1	
7		22911804		FEED REGULATOR SCREW					☆	1	
8		40178899		FEED_REGULATOR_PIN						1	
9		18053900		SPRIG						1	
10		23613409		FEED ADJUSTING PIN						1	
11		40112127		BACKWARD_FEED_C-CONNECTING_ARM	FOR LU-2-810-7,2860-7					1	
12		40112128		REVERSE_FEED_LEVER_PLATE_ASM.	FOR LU-2-810-7,2860-7					1	
13		40126362		REVERSE_FEED_LEVER_ASM.	FOR LU-2810,2860					1	
14	R	40112281	40112128	REVERSE_FEED_REVER_PLATE		A	糸切り仕様- /Needle thread trimming type	*		1	1.00
14	R	40112281	40126362	REVERSE_FEED_REVER_PLATE		B	糸切り無仕様/No Needle thread trimming type	*		1	1.00
15	R	40112282	40112128	REVERSE_FEED_REVER_BUSH	FOR LU-2-810-7,2860-7	A	for LU	*		1	1.00
15	R	40112282	40129991	REVERSE_FEED_REVER_BUSH	FOR LU-2-810-7,2860-7	B	for PLC	*		1	1.00
16		40126555		REVERSE_FEED_LEVER_BUSH	FOR LU-2810,2860				*	1	
17		23630007		TUBE	FOR LU-2-810-7,2860-7					.08	
18		SM8060612TP		SCREW M6 L=6	FOR LU-2810,2860					2	
19		40123628		FEED_ADJUSTING_ARM						1	
20		40126116		REVERSE_FEED_LEVER_DRAFT						1	
21		40167733		FEED_DIAL_ASM					☆	1	
22		40125864		REVERSE_FEED_LEVER_SPRING_HOOK	FOR LU-2-810-7,2860-7					1	
23		40011327		PICKER_SPRING						1	
24		23613409		FEED ADJUSTING PIN						1	
25		WT1780011KP		TOOTHEDWASHER18						2	
26		40033825		HEAD_FIXED_SHAFT						1	
27		D2629M1YC0F		SPRING	FOR LU-2-810-7,2860-7					1	
28		26229302		SUSPENSION SCREW	FOR LU-2-810-7,2860-7					1	
29		NM6050001SD		NUT M5X0.8	FOR LU-2-810-7,2860-7					1	
30		40134959		FEED_ADJUSTING_PIN						1	
31		SL4040881SC		SCREW M4 L=8						2	
32		SM4050855SP		SCREW	FOR LU-2-810-7,2860-7					1	
33		SM6051400SP		SCREW	FOR LU-2-810-7,2860-7					1	
34		SM6051202TP		SCREW M5X0.8 L=12	FOR LU-2-810-7,2860-7					1	
35		SM6051602TP		SCREW M5X0.8 L=16						1	
36		SM8060612TP		SCREW M6 L=6						2	
37		SM8060612TP		SCREW M6 L=6						1	

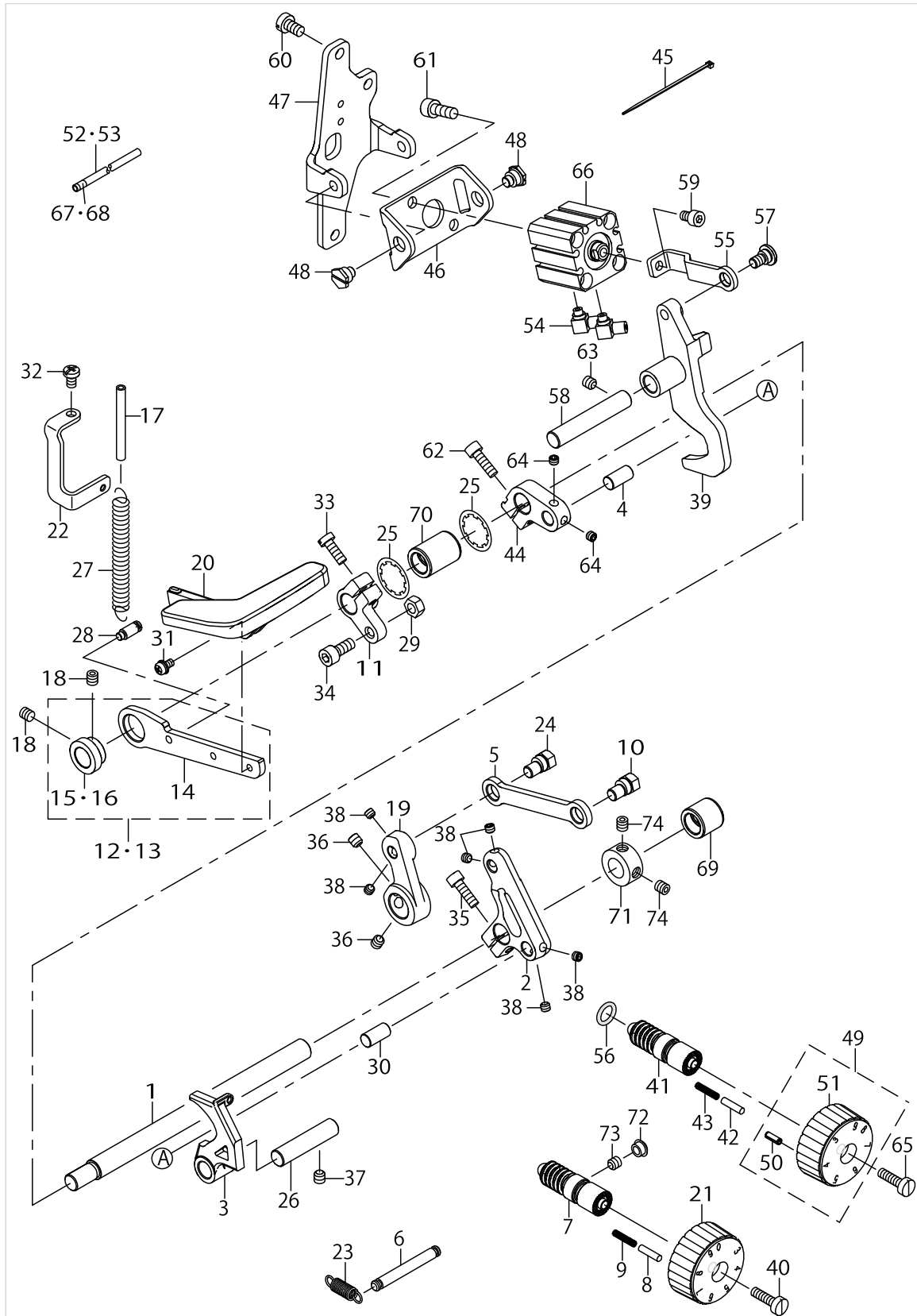
FEED ADJUST COMPONENTS (FOR LU-2810,2860,2810-7,2860-7)



FEED ADJUST COMPONENTS (FOR LU-2810,2860,2810-7,2860-7)

No.	Supply Code	Parts No.	Replacement	Parts name	Remarks	Choice	Step	Level	Cons	Qty	Rep. QTY
38		SM8050412TP		SCREW M5 L=4						6	
39		40125920		ADJUSTING_BASE_B	FOR LU-2-810-7,2860-7					1	
40		SS6121860SP		SCREW 3/16-28 L=18						1	
41		22911804		FEED REGULATOR SCREW	FOR LU-2-810-7,2860-7				☆	1	
42		22912000		FEED REGULATOR PIN	FOR LU-2-810-7,2860-7					1	
43		22912109		FEED REGULATOR PIN SPRING	FOR LU-2-810-7,2860-7					1	
44		40125858		FEED_ADJUSTING_PIN_HOLDER_B	FOR LU-2-810-7,2860-7					1	
45		EA9500B0100		CABLE BAND						1	
46		40126642		CYLINDER_BASE_A	FOR LU-2-810-7,2860-7					1	
47		40126643		CYLINDER_BASE_B	FOR LU-2-810-7,2860-7					1	
48		SD0900426TP		SHOULDER SCREW D=9 H=4.2	FOR LU-2-810-7,2860-7					2	
49		40142200		FEED_DIAL(A) ASM.	FOR LU-2-810-7,2860-7					1	
50		PS0350102KR		SPRING PIN 3.5X10	FOR LU-2-810-7,2860-7			*		1	
51		40142201		FEED_DIAL(A)				*	☆	1	
52		BT0400251EB		URETHANE HOSE BLACK	FOR LU-2-810-7,2860-7					.36	
53		BT0400251EB		URETHANE HOSE BLACK	FOR LU-2-810-7,2860-7					.36	
54		PJ046052503		HOSE ELBOW	FOR LU-2-810-7,2860-7					2	
55		40112267		CYLINDER_JOINT	FOR LU-2-810-7,2860-7					1	
56		RO092270200		RUBBER RING	FOR LU-2-810-7,2860-7				☆	1	
57		SD0800346TP		SHOULDER SCREW	FOR LU-2-810-7,2860-7					1	
58		40077931		PRESSURE_LOWERING_SHAFT	FOR LU-2-810-7,2860-7					1	
59		SM6050802TP		SCREW M5X0.8 L=8	FOR LU-2-810-7,2860-7					1	
60		SM6061010TP		SCREW M6 L=10	FOR LU-2-810-7,2860-7					3	
61		SM6061602TP		SCREW M6 L=16	FOR LU-2-810-7,2860-7					2	
62		SM6051602TP		SCREW M5X0.8 L=16	FOR LU-2-810-7,2860-7					1	
63		SM8060612TP		SCREW M6 L=6	FOR LU-2-810-7,2860-7					1	
64		SM8050412TP		SCREW M5 L=4	FOR LU-2-810-7,2860-7					2	
65		SS6121860SP		SCREW 3/16-28 L=18	FOR LU-2-810-7,2860-7					1	
66		PA200150900		AIR CYLINDER	FOR LU-2-810-7,2860-7					1	
67		18035006		CABLE MARK NO.1	FOR LU-2-810-7,2860-7					1	
68		18035105		WIRE MARK (2)	FOR LU-2-810-7,2860-7					1	
69		40143624		BUSHING MAIN FEED						1	
70		13424502		BUSHING FRONT						1	
71		CS1201171TP		THRUST COLLAR D=12 W=11						1	
72		TA0750404R0		PLUG D=7.5 L=3.5						1	
73		SM8060612TP		SCREW M6 L=6						1	

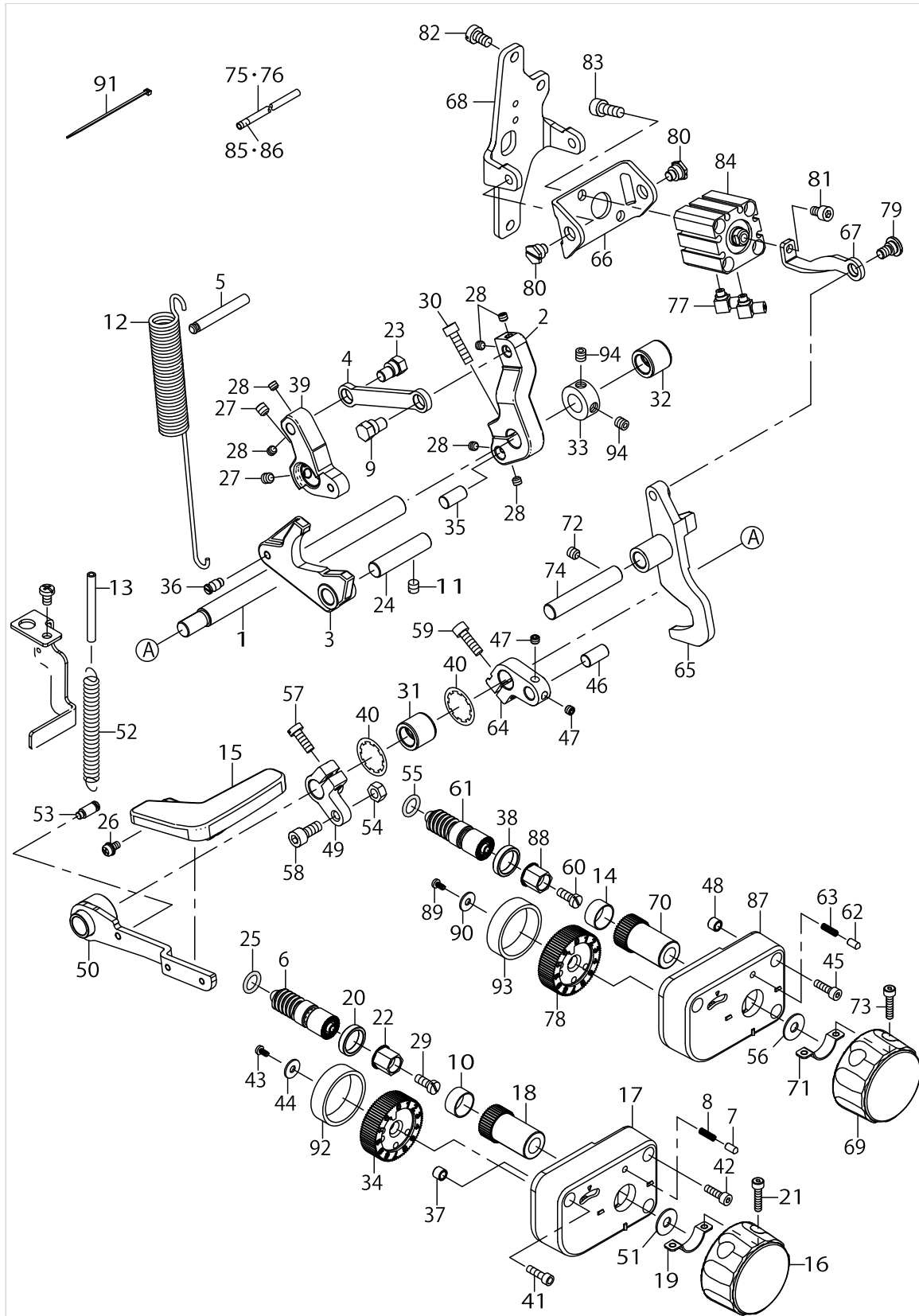
FEED ADJUST COMPONENTS (FOR LU-2810,2860,2810-7,2860-7)



FEED ADJUST COMPONENTS (FOR LU-2810,2860,2810-7,2860-7)

No.	Supply Code	Parts No.	Replacement	Parts name	Remarks	Choice	Step	Level	Cons	Qty	Rep. QTY
74		SM8060612TP		SCREW M6 L=6						2	

FEED ADJUST COMPONENTS (FOR LU-2818-7,2868-7)



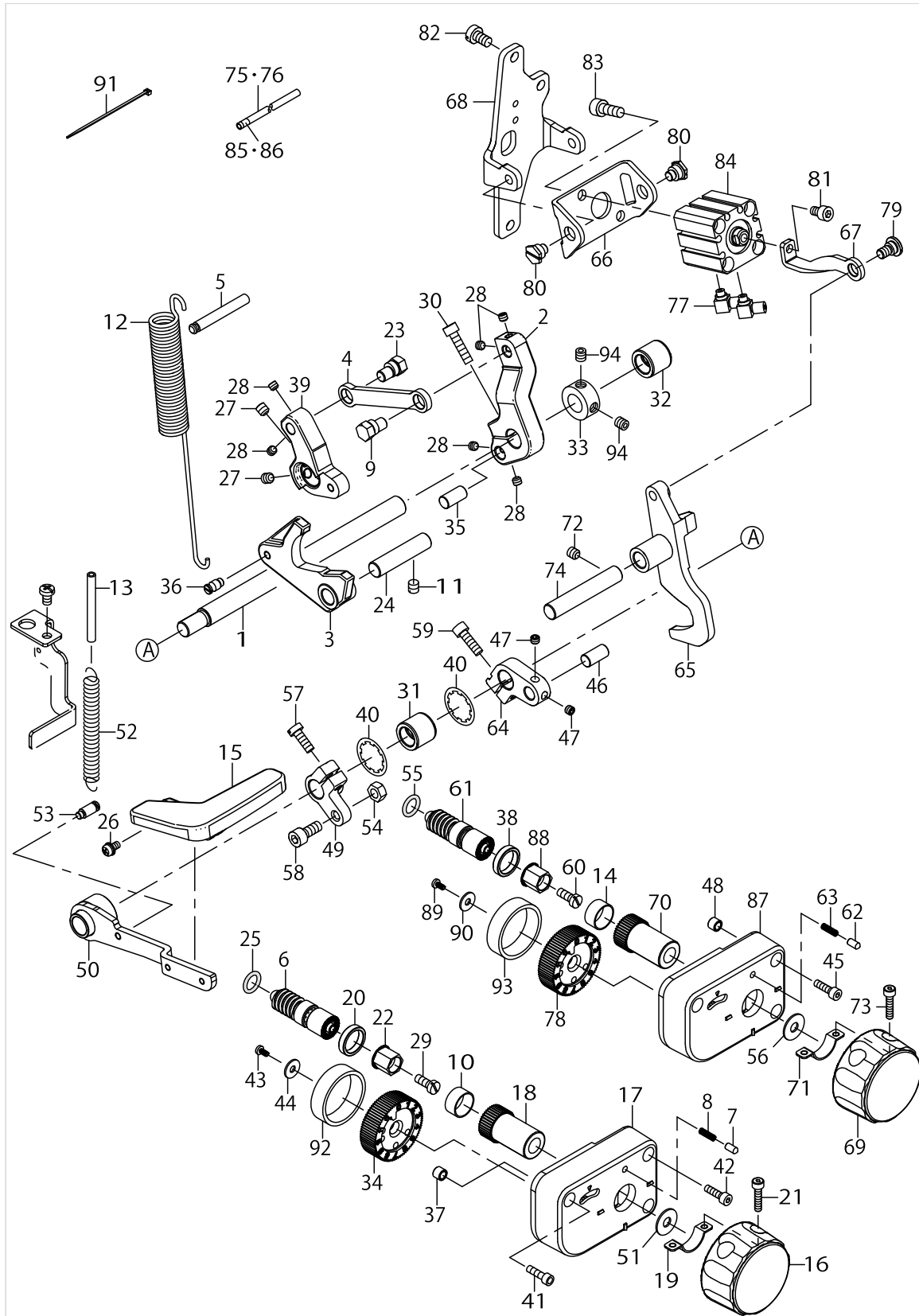
FEED ADJUST COMPONENTS (FOR LU-2818-7,2868-7)

No.	Supply Code	Parts No.	Replacement	Parts name	Remarks	Choice	Step	Level	Cons	Qty	Rep. QTY
1		40126363		BACKWARD_FEED_LEVER_SHAFT						1	
2		40129986		FEED_ADJUSTING_PIN_HOLDER_A						1	
3		40129984		ADJUSTING_BASE_A						1	
4		40129988		FEED_ADJUSTING_LINK						1	
5		40134528		SPRINGSUSPENSION						1	
6		22911804		FEED REGULATOR SCREW					☆	1	
7		10715704		VERTICAL DIAL PIN					☆	1	
8		B152652700G		SPRING						1	
9		23613409		FEED ADJUSTING PIN						1	
10		40137613		DIAL PLATE BUSH						1	
11		SM8060612TP		SCREW M6 L=6						1	
12		40134105		FEED_ADJUSTING_BASE_SPRING						1	
13		23630007		TUBE						.08	
14		40137613		DIAL PLATE BUSH						1	
15		40126116		REVERSE_FEED_LEVER_DRAFT						1	
16		40130004		FEED_DIAL_KNOB					☆	1	
17		40130001		FEED_DIAL_COVER_A						1	
18		40130003		FEED_DIAL_GEAR						1	
19		40130005		FEED_DIAL_SUPPORT_PLATE						1	
20		40133826		SPACER						1	
21		SM6041802TP		SCREW M4 L=18						2	
22		40130006		HEXA_SHAFT						1	
23		23613409		FEED ADJUSTING PIN						1	
24		40033825		HEAD_FIXED_SHAFT						1	
25		RO092270200		O-RING					☆	1	
26		SL4040881SC		SCREW M4 L=8						2	
27		SM8060612TP		SCREW M6 L=6						2	
28		SM8050412TP		SCREW M5 L=4						6	
29		SS6121210SP		SCREW 3/16-28 L=12						1	
30		SM6052002TP		SCREW M5X0.8 L=20						1	
31		13424502		BUSHING FRONT						1	
32		40143624		BUSHING MAIN FEED						1	
33		CS1201171TP		THRUST COLLAR D=12 W=11						1	
34		40132118		FEED_DIAL_PLATE_A						1	
35		40134959		FEED ADJUSTING PIN A						1	
36		40137780		SPRING RAC						1	
37		B4122804000		ROLLER						1	
38		40133826		SPACER						1	
39		40130412		FEED_ADJUSTING_ARM_BT						1	
40		WT1780011KP		TOOTHED WASHER 18						2	
41		SM6041402TP		SCREW M4 L=14						1	
42		SM6040802TP		SCREW M4X0.7 L=8						2	
43		40130820		SCREW						1	
44		WP0431005SP		PLAIN WASHER						1	
45		SM6041402TP		SCREW M4 L=14						3	
46		40131887		FEED_ADJUSTING_PIN						1	

FEED ADJUST COMPONENTS (FOR LU-2818-7,2868-7)

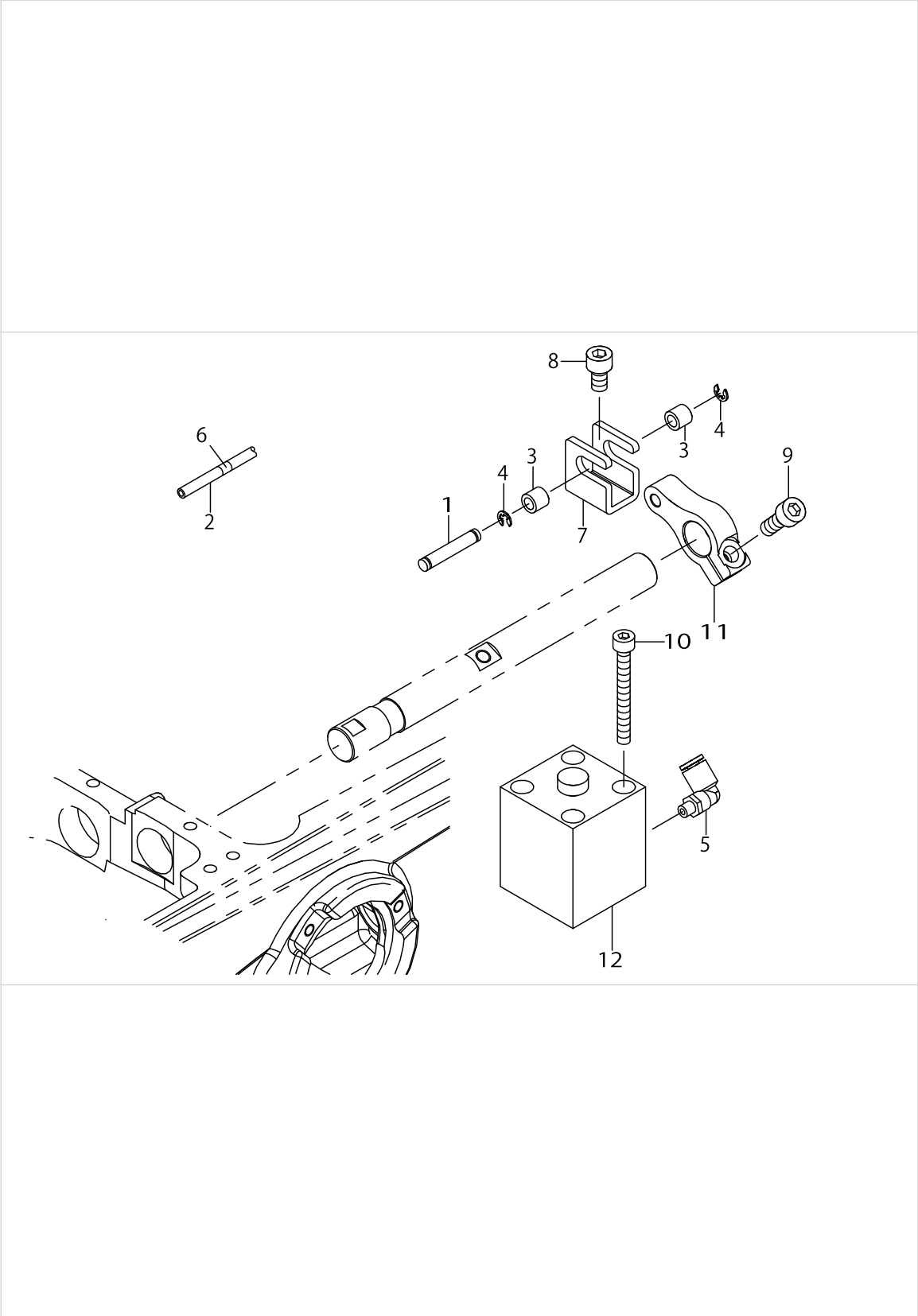
No.	Supply Code	Parts No.	Replacement	Parts name	Remarks	Choice	Step	Level	Cons	Qty	Rep. QTY
47		SM8050412TP		SCREW M5 L=4						2	
48		B4122804000		ROLLER						3	
49		40112127		BACKWARD_FEED_C- ONNECTING_ARM						1	
50		40129991		REVERSE_FEED_LEVER_ASM						1	
51		WP0621036SP		WASHER						4	
52		D2629M1YC0F		SPRING						1	
53		26229302		SUSPENSION SCREW						1	
54		NM6050001SD		NUT M5X0.8 TYPE1						1	
55		RO092270200		O-RING					☆	1	
56		WP0621036SP		WASHER						4	
57		SM6051400SP		SCREW						1	
58		SM6051202TP		SCREW M5X0.8 L=12						1	
59		SM6051602TP		SCREW M5X0.8 L=16						1	
60		SS6121210SP		SCREW 3/16-28 L=12						1	
61		22911804		FEED REGULATOR SCREW					☆	1	
62		10715704		VERTICAL DIAL PIN					☆	1	
63		B152652700G		SPRING						1	
64		40125858		FEED_ADJUSTING_PIN_HOLDER_B						1	
65		40129985		ADJUSTING_BASE_B						1	
66		40126642		CYLINDER_BASE_A						1	
67		40129999		CYLINDER_JOINT_B						1	
68		40126643		CYLINDER_BASE_B						1	
69		40130004		FEED_DIAL_KNOB					☆	1	
70		40130003		FEED_DIAL_GEAR						1	
71		40130005		FEED_DIAL_SUPPORT_PLATE						1	
72		SM8060612TP		SCREW M6 L=6						1	
73		SM6041802TP		SCREW M4 L=18						2	
74		40077931		PRESSURE_LOWERING_SHAFT						1	
75		BT0400251EB		URETHANE TUBE BLACK 4X2.5						.36	
76		BT0400251EB		URETHANE TUBE BLACK 4X2.5						.36	
77		PJ046052503		HOSE ELBOW						2	
78		40132118		FEED_DIAL_PLATE_A						1	
79		SD0800346TP		SHOULDER SCREW D=8 H=3.4						1	
80		SD0900426TP		SHOULDER SCREW D=9 H=4.2						2	
81		SM6050802TP		SCREW M5X0.8 L=8						1	
82		SM6061010TP		SCREW M6 L=10						3	
83		SM6061602TP		SCREW M6 L=16						2	
84		PA200150900		AIR CYLINDER						1	
85		18035006		CABLE MARK NO.1						1	
86		18035105		WIRE MARK (2)						1	
87		40130819		FEED_DIAL_COVER_B						1	
88		40130006		HEXA_SHAFT						1	
89		40130820		SCREW						2	
90		WP0431005SP		PLAIN WASHER						2	
91		EA9500B0100		CABLE BAND						2	
92		40137612		DIAL PLATE BUSH						1	

FEED ADJUST COMPONENTS (FOR LU-2818-7,2868-7)



FEED ADJUST COMPONENTS (FOR LU-2818-7,2868-7)

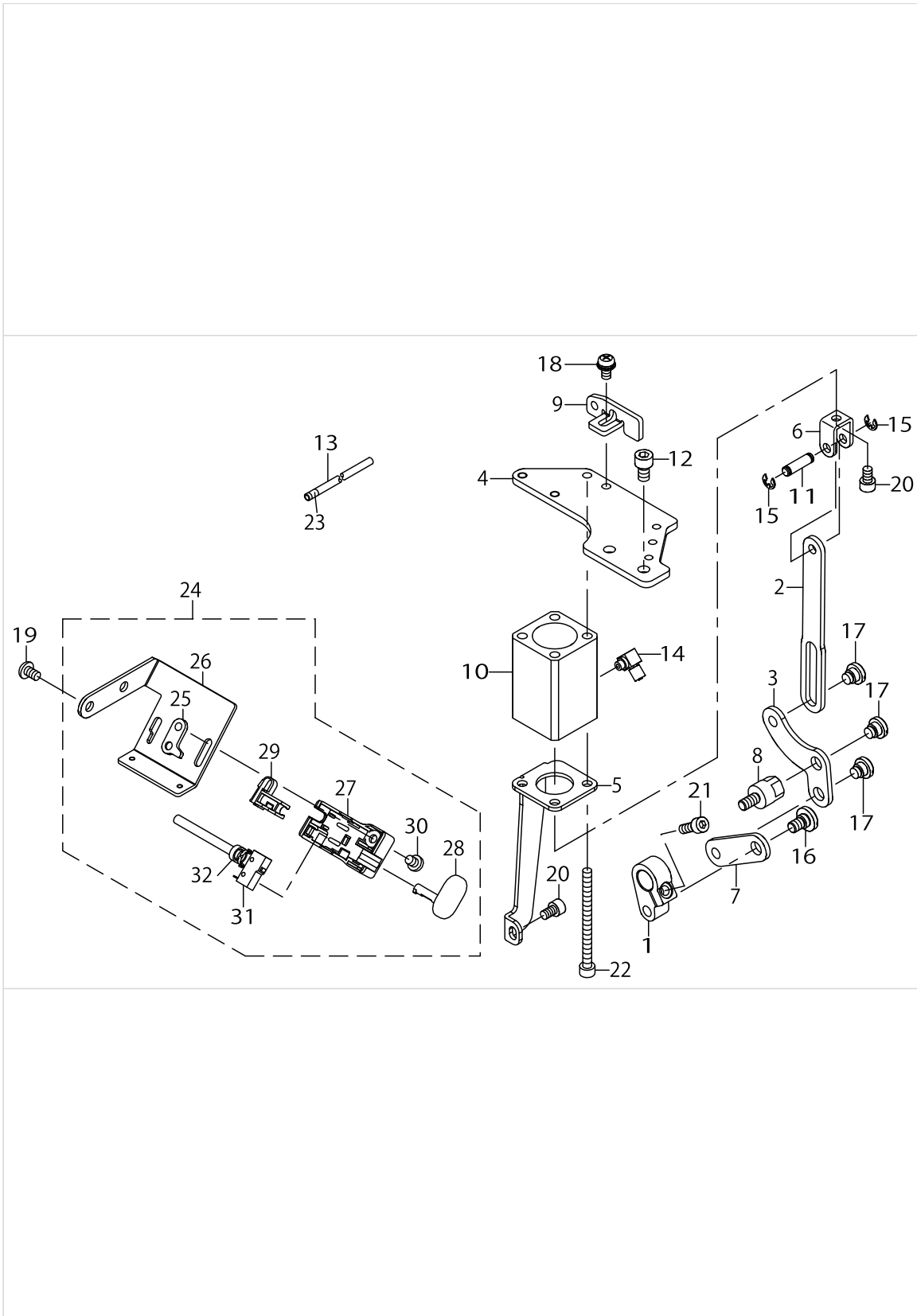
No.	Supply Code	Parts No.	Replacement	Parts name	Remarks	Choice	Step	Level	Cons	Qty	Rep. QTY
93		40137612		DIAL PLATE BUSH						1	
94		SM8060612TP		SCREW M6 L=6						2	



DL COMPONENTS (FOR LU-2810-7,2860-7,2818-7,2868-7)

No.	Supply Code	Parts No.	Replacement	Parts name	Remarks	Choice	Step	Level	Cons	Qty	Rep. QTY
1		B1504210000		CONNECTING SHAFT						1	
2		BT0400251EB		URETHANE HOSE BLACK						.58	
3		B3031141H00		CONNECTING STUD						2	
4		RE0320000K0		E-RING 3.2						2	
5		PJ304040504		ELBOW UNION						1	
6		18035501		WIRE MARK (6)						1	
7		40112191		KNUCKLE_JOINT_B						1	
8		SM6061002TP		SCREW M6 L=10						1	
9		SM6061602TP		SCREW M6 L=16						1	
10		SM6054502TP		SCREW M5X0.8 L=45						2	
11		40112192		TERTICAL_CYLINDER_ARM						1	
12		PA250250900		AIR CYLINDER						1	

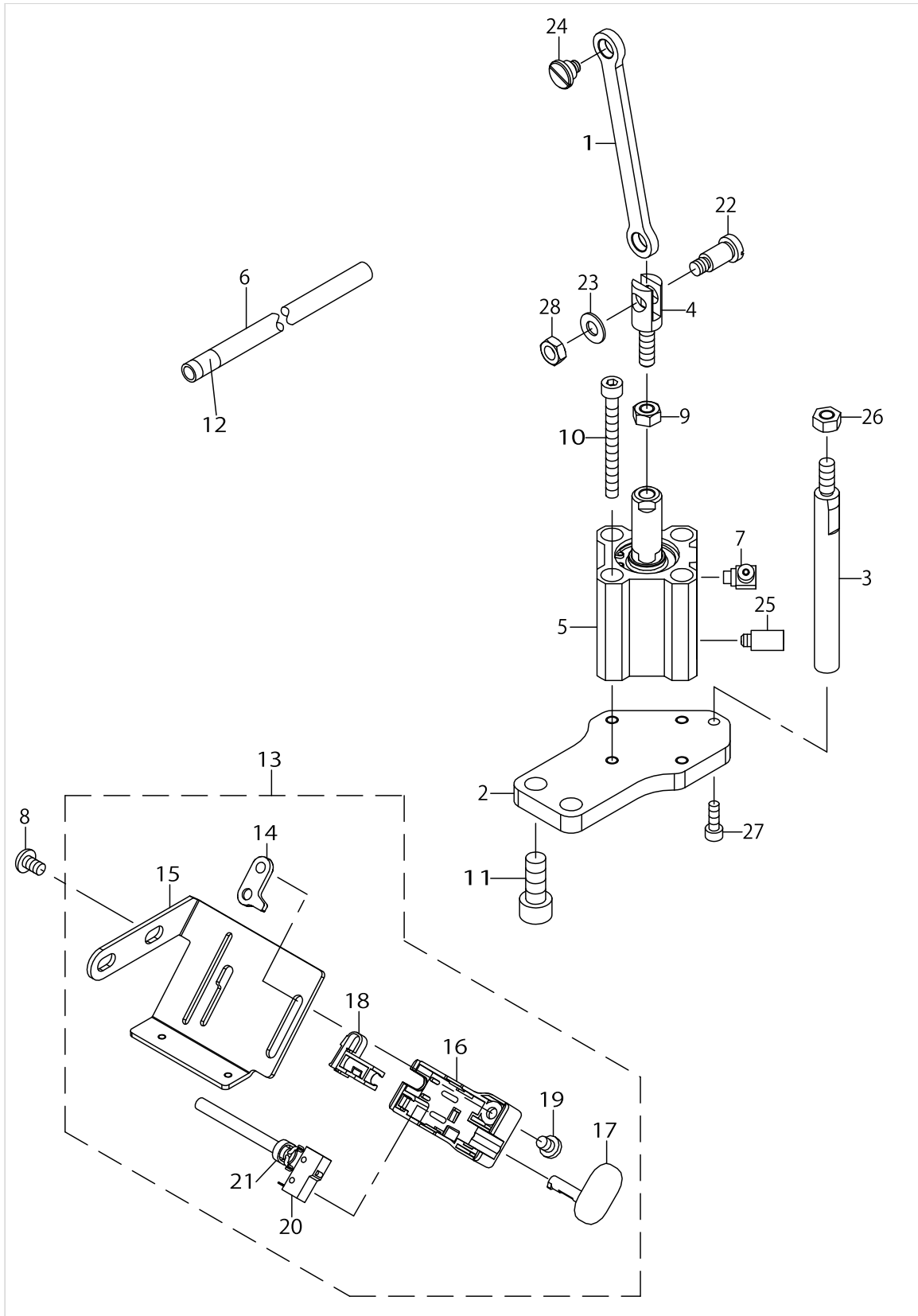
AUTO BT COMPONENTS (FOR LU-2810-7,2860-7)



AUTO BT COMPONENTS (FOR LU-2810-7,2860-7)

No.	Supply Code	Parts No.	Replacement	Parts name	Remarks	Choice	Step	Level	Cons	Qty	Rep. QTY
1		40112136		BT_ARM						1	
2		40112137		LINK_A						1	
3		40112138		LINK_B						1	
4		40125872		CYLINDER_BRACKET						1	
5		40112140		CYLINDER_STAY						1	
6		40112149		CYLINDER_KNUCKLE						1	
7		40112150		LINK_C						1	
8		40171514		BT_LINK_STUD						1	
9		40112228		MOTOR_COVER_FITTING_PLATE						1	
10		40142208		AIR CYLINDER						1	
11		D2464555B00		LINK DRIVING MAGNET PIN						1	
12		SM6061002TP		SCREW M6 L=10						2	
13		BT0400251EB		URETHANE HOSE BLACK						.27	
14		PJ046052503		HOSE ELBOW						1	
15		RE0400000K0		E-RING 4						2	
16		SD0800321TH		HINGE SCREW D=8 H=3.2						1	
17		SD0800341SP		HINGE SCREW D=8 H=3.4						3	
18		SL4051091SC		SCREW M5X0.8 L=10						1	
19		SM4050855SP		SCREW						2	
20		SM6050802TP		SCREW M5X0.8 L=8						2	
21		SM6051402TP		SCREW M5X0.8 L=14						1	
22		SM6056552TP		SCREW						3	
23		18035709		WIRE MARK (8)						1	
24		40112288		TB_SWITCH_ASSY						1	
25		23632102		REVERSE FEED SWITCH BASE GUIDE				*		1	
26		40112213		TB_SW_MOUNTING_PLATE				*		1	
27		23631708		REVERSE FEED SWITCH COVER				*		1	
28		23631807		REVERSE FEED SWITCH SHAFT				*		1	
29		23631906		REVERSE FEED SWITCH SUPPORT				*		1	
30		SS7110740TP		SCREW 11/64-40 L=7				*		1	
31		40126129		REVERSE FEED CORD ASM.				*		1	
32		EA9500B0100		CABLE BAND				*		1	

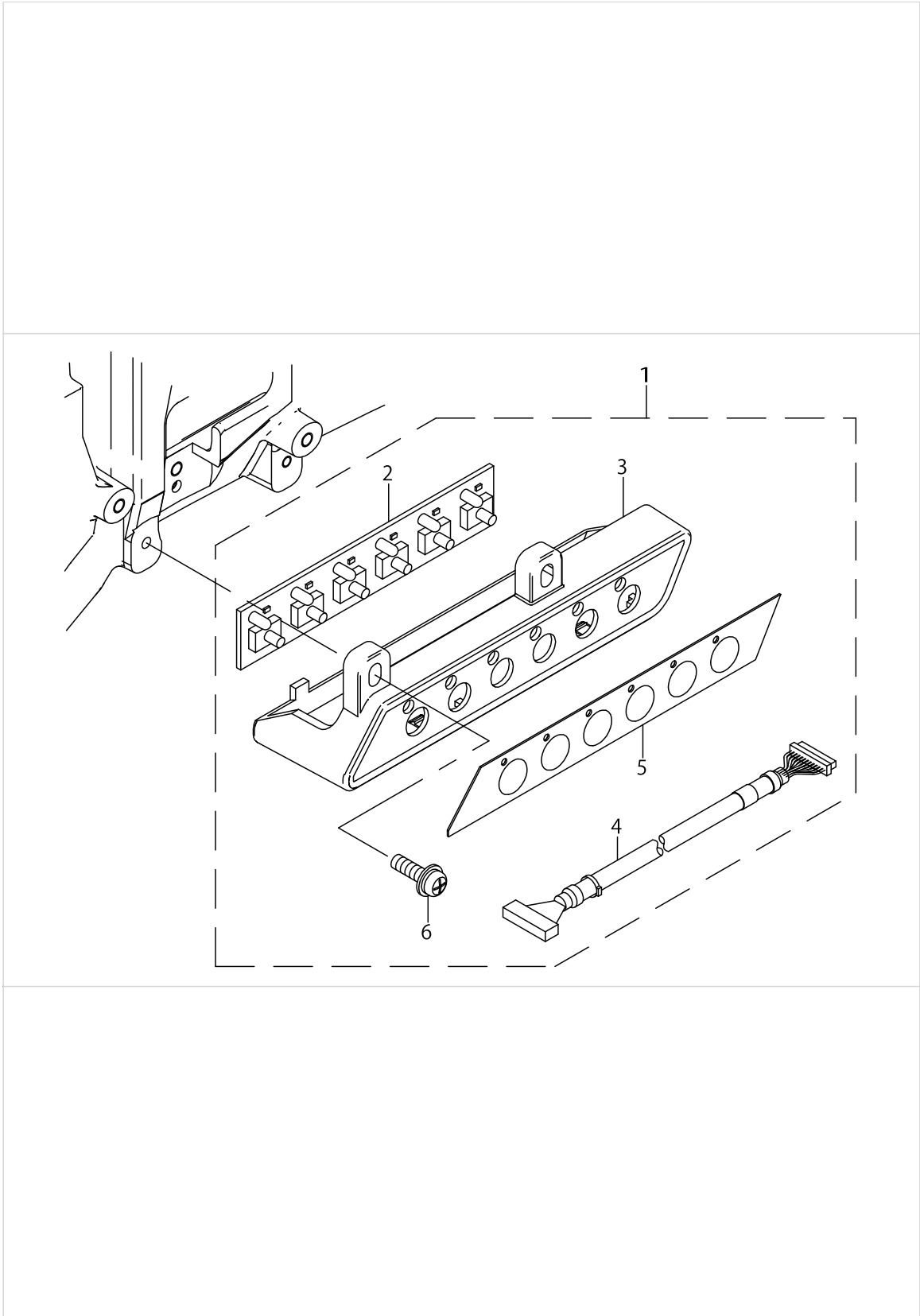
AUTO BT COMPONENTS (FOR LU-2818-7,2868-7)



AUTO BT COMPONENTS (FOR LU-2818-7,2868-7)

No.	Supply Code	Parts No.	Replacement	Parts name	Remarks	Choice	Step	Level	Cons	Qty	Rep. QTY
1		40147946		BT_LINK						1	
2		40147947		BT_CYLINDER_PLATE						1	
3		40147948		BT_PLATE_STUD						1	
4		40052254		CYLINDER KNUCKLE JOINT						1	
5		PA250250900		AIR CYLINDER						1	
6		BT0400251EB		URETHANE TUBE BLACK 4X2.5						.3	
7		PJ046052503		HOSE ELBOW						1	
8		SM4050855SP		SCREW						2	
9		NM6060001CP		NUT M6X1 TYPE1						1	
10		SM6055002TP		SCREW M5 L=50						4	
11		SM6082002TP		SCREW M8 L=20						2	
12		18035907		WIRE MARK (10)						1	
13		40112288		TB_SWITCH_ASSY						1	
14		23632102		REVERSE FEED SWITCH BASE GUIDE				*		1	
15		40112213		TB_SW_MOUNTING_PLATE				*		1	
16		23631708		REVERSE FEED SWITCH COVER				*		1	
17		23631807		REVERSE FEED SWITCH SHAFT				*		1	
18		23631906		REVERSE FEED SWITCH SUPPORT				*		1	
19		SS7110740TP		SCREW 11/64-40 L=7				*		1	
20		40126129		REVERSE FEED CORD ASM				*		1	
21		EA9500B0100		CABLE BAND				*		1	
22		SD0791271SP		HINGE SCREW D=7.94 H=12.7						1	
23		WP0621016SD		WASHER 6.2X13X1						1	
24		SD0800406TP		SHOULDER SCREW D=8 H=4						1	
25		PX050501000		SILENCER						1	
26		NM6060001SC		NUT M6						1	
27		SM6041202TP		SCREW M4X0.7 L=12						1	
28		NS6150430SP		NUT 15/64-28						1	

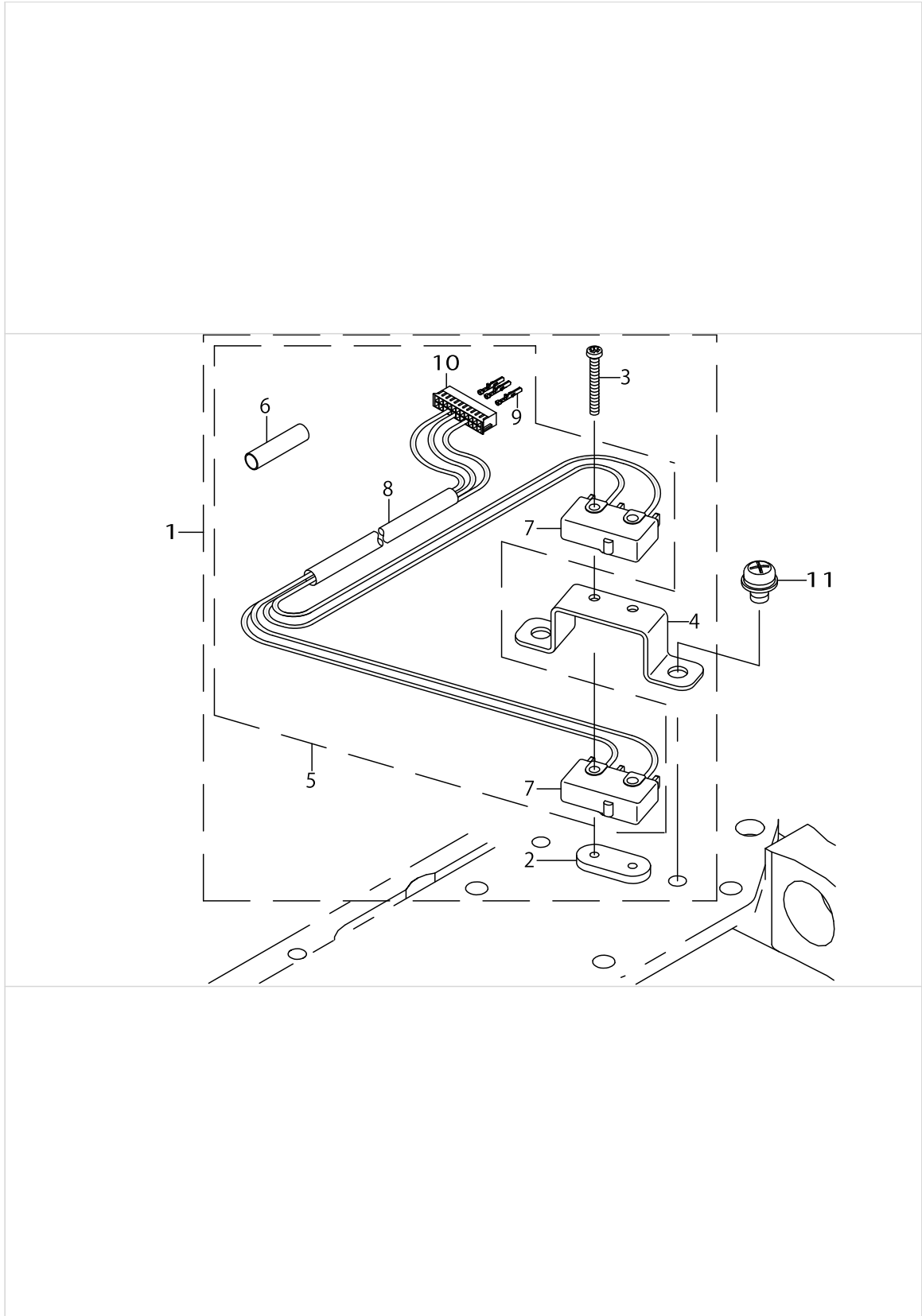
6-RANGE SW COMPONENTS (FOR LU-2810-7,2860-7,2818-7,2868-7)



6-RANGE SW COMPONENTS (FOR LU-2810-7,2860-7,2818-7,2868-7)

No.	Supply Code	Parts No.	Replacement	Parts name	Remarks	Choice	Step	Level	Cons	Qty	Rep. QTY
1		40105508		6RANGE SWITCH ASM.						1	
2		40105510		6RANGE SWITCH PCB ASSY				*		1	
3	R	40112215	40105508	6RANGE_SWITCH_COVER		A	LU2800	*		1	1.00
3	R	40112215	40130287	6RANGE_SWITCH_COVER		B	PLC2700	*		1	1.00
4		40105509		6RANGE SWITCH CABLE ASM.				*		1	
5		40112216		PANEL SHEET				*		1	
6		SL4041491SC		SCREW 4X14				*		2	

SPEED ADJUST COMPONENTS (FOR LU-2810-7,2860-7,2818-7,2868-7)



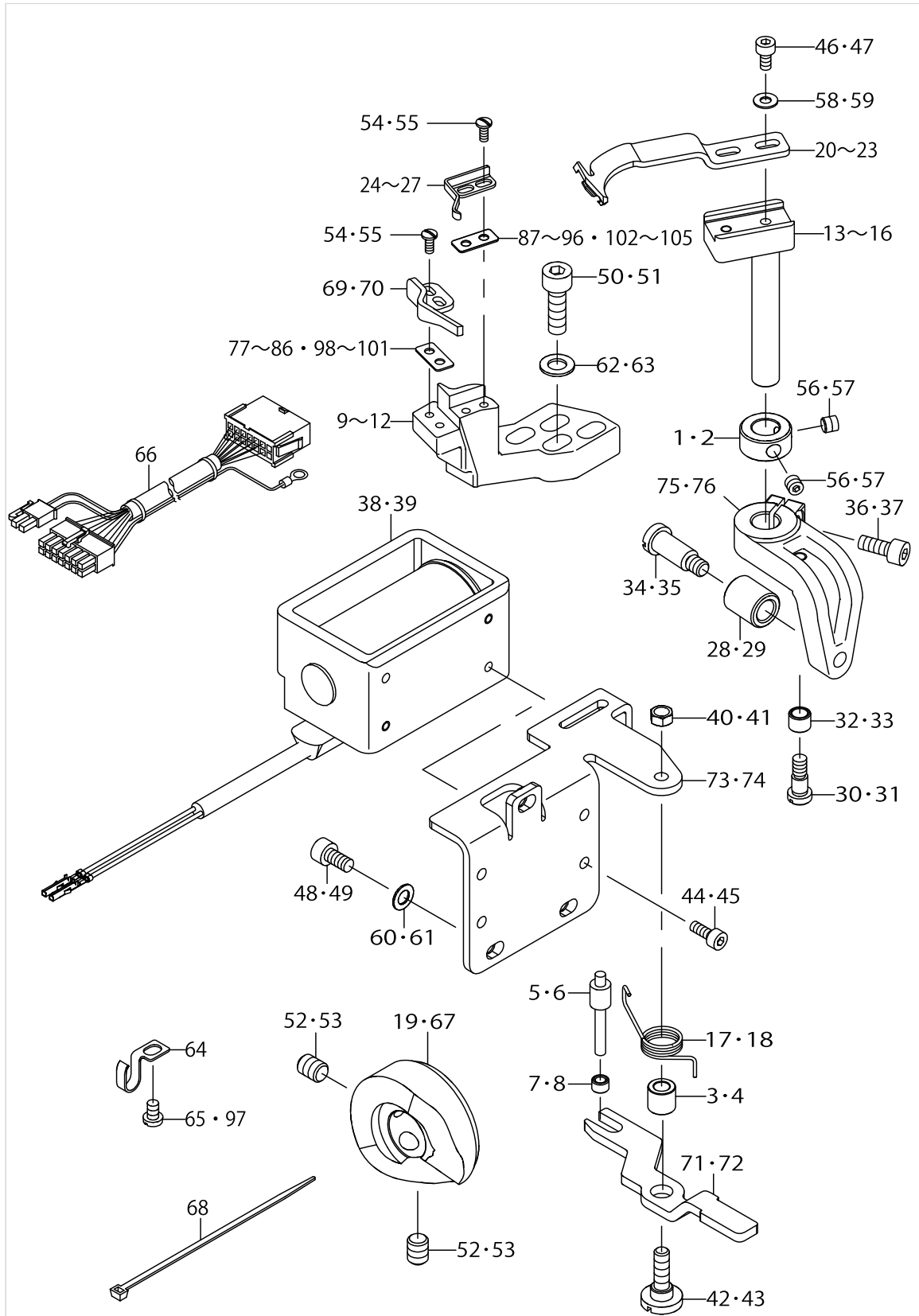
SPEED ADJUST COMPONENTS (FOR LU-2810-7,2860-7,2818-7,2868-7)

No.	Supply Code	Parts No.	Replacement	Parts name	Remarks	Choice	Step	Level	Cons	Qty	Rep. QTY
1		40126260		VERTICAL_DETECT-OR_SWITCH_ASM.						1	
2	R	23638406	23638059	SAFETY SWITCH NUT				*		1	1.00
3	D	SM4021601SN		SCREW M2 L=16				*		2	
4		40126259		SENSOR_BRACKET				*		1	
5	R	40126131	40126260	SPEED CONTROL CORD ASM.				*		1	1.00
6		E8760452D00		TUBE 0.015M				*		0.03	
7		HA004680000		SWITCH				*		2	
8		HW000840040		4-CORE CABTYRE CORD				*		1.37	
9		HK075230000		TERMINAL				*		3	
10		HK063610220		CONNECTOR				*		1	
11		SL4040691SC		SCREW M4 L=6				*		2	

THREAD CUTTING COMPONENTS (FOR LU-2810-7,2860-7,2818-7,2868-7)

No.	Supply Code	Parts No.	Replacement	Parts name	Remarks	Choice	Step	Level	Cons	Qty	Rep. QTY
1		22917009		THRUST COLLAR	FOR LU-2-810-7,2818-7					1	
2		22917009		THRUST COLLAR	FOR LU-2-860-7,2868-7					2	
3		22956205		WIPER HINGE SCREW COLLAR	FOR LU-2-810-7,2818-7					1	
4		22956205		WIPER HINGE SCREW COLLAR	FOR LU-2-860-7,2868-7					2	
5		22957104		WIPER SOLENOID SHAFT	FOR LU-2-810-7,2818-7					1	
6		22957104		WIPER SOLENOID SHAFT	FOR LU-2-860-7,2868-7					2	
7		22957203		WIPER LINK COLLAR	FOR LU-2-810-7,2818-7					1	
8		22957203		WIPER LINK COLLAR	FOR LU-2-860-7,2868-7					2	
9		40125879		FIXED_KNIFE_BASE	FOR LU-2810-7					1	
10		40125879		FIXED_KNIFE_BASE	FOR LU-2860-7					2	
11		40147942		FIXED_KNIFE_BASE_XXL	FOR LU-2818-7					1	
12		40147942		FIXED_KNIFE_BASE_XXL	FOR LU-2868-7					2	
13		40112230		MOVING_KNIFE_SHAFT	FOR LU-2810-7					1	
14		40112230		MOVING_KNIFE_SHAFT	FOR LU-2860-7					2	
15		40147941		MOVING_KNIFE_SHAFT_XXL	FOR LU-2818-7					1	
16		40147941		MOVING_KNIFE_SHAFT_XXL	FOR LU-2868-7					2	
17		40112235		DRIVING_ARM_RETURN_SPRING	FOR LU-2-810-7,2818-7					1	
18		40112235		DRIVING_ARM_RETURN_SPRING	FOR LU-2-860-7,2868-7					2	
19		40136650		THREAD_TRIMMER_CAM_RIGHT						1	
20		40132434		MOVING_KNIFE	FOR LU-2810-7				☆	1	
21		40132434		MOVING_KNIFE	FOR LU-2860-7				☆	2	
22		40147940		MOVING_KNIFE_XXL	FOR LU-2818-7				☆	1	
23		40147940		MOVING_KNIFE_XXL	FOR LU-2868-7				☆	2	
24		21389408		CLAMP_SPRING	FOR LU-2810-7				☆	1	
25		21389408		CLAMP_SPRING	FOR LU-2860-7				☆	2	
26		40147943		CLAMP_SPRING_XXL	FOR LU-2818-7				☆	1	
27		40147943		CLAMP_SPRING_XXL	FOR LU-2868-7				☆	2	
28		40112232		THREAD_TRIMMER_CAM_ROLLER	FOR LU-2-810-7,2818-7					1	
29		40112232		THREAD_TRIMMER_CAM_ROLLER	FOR LU-2-860-7,2868-7					2	
30		SD0460576TP		SHOULDER SCREW D=4.6 H=5.7	FOR LU-2-810-7,2818-7					1	
31		SD0460576TP		SHOULDER SCREW D=4.6 H=5.7	FOR LU-2-860-7,2868-7					2	
32		B2508047000		BLOCK_ROLLER	FOR LU-2-810-7,2818-7					1	
33		B2508047000		BLOCK_ROLLER	FOR LU-2-860-7,2868-7					2	
34		SD0651301TH		HINGE SCREW D=6.5 H=13	FOR LU-2-810-7,2818-7					1	
35		SD0651301TH		HINGE SCREW D=6.5 H=13	FOR LU-2-860-7,2868-7					2	
36		SM6041002TP		SCREW M4 L=10	FOR LU-2-810-7,2818-7					1	
37		SM6041002TP		SCREW M4 L=10	FOR LU-2-860-7,2868-7					2	
38		40137921		THREAD_TRIMMER_SOLENOID	FOR LU-2-810-7,2818-7					1	

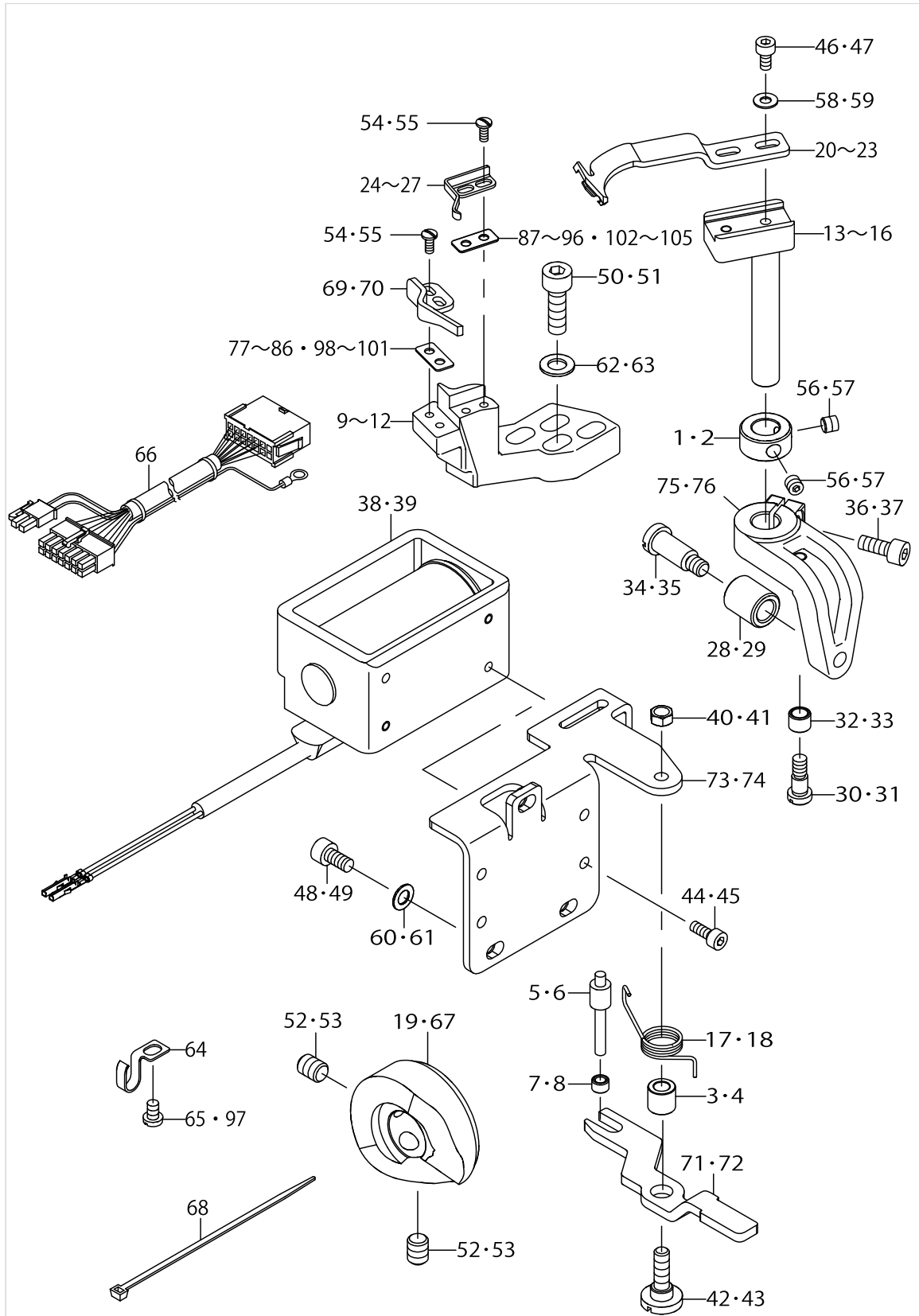
THREAD CUTTING COMPONENTS (FOR LU-2810-7,2860-7,2818-7,2868-7)



THREAD CUTTING COMPONENTS (FOR LU-2810-7,2860-7,2818-7,2868-7)

No.	Supply Code	Parts No.	Replacement	Parts name	Remarks	Choice	Step	Level	Cons	Qty	Rep. QTY
39		40137921		THREAD_TRIMMER_SOLENOID	FOR LU-2-860-7,2868-7					2	
40		NS6110310SP		NUT 11/64-40	FOR LU-2-810-7,2818-7					1	
41		NS6110310SP		NUT 11/64-40	FOR LU-2-860-7,2868-7					2	
42		SD0650321TP		HINGE SCREW D=6.5 H=3.2	FOR LU-2-810-7,2818-7					1	
43		SD0650321TP		HINGE SCREW D=6.5 H=3.2	FOR LU-2-860-7,2868-7					2	
44		SM6030602TP		SCREW M3X0.5 L=6	FOR LU-2-810-7,2818-7					4	
45		SM6030602TP		SCREW M3X0.5 L=6	FOR LU-2-860-7,2868-7					8	
46		SM6030602TP		SCREW M3X0.5 L=6	FOR LU-2-810-7,2818-7					2	
47		SM6030602TP		SCREW M3X0.5 L=6	FOR LU-2-860-7,2868-7					4	
48		SM6040802TP		SCREW M4X0.7 L=8	FOR LU-2-810-7,2818-7					3	
49		SM6040802TP		SCREW M4X0.7 L=8	FOR LU-2-860-7,2868-7					6	
50		SM6051602TP		SCREW M5X0.8 L=16	FOR LU-2-810-7,2818-7					2	
51		SM6051602TP		SCREW M5X0.8 L=16	FOR LU-2-860-7,2868-7					4	
52		SM8060812TP		SCREW M6 L=8	FOR LU-2-810-7,2818-7					2	
53		SM8060812TP		SCREW M6 L=8	FOR LU-2-860-7,2868-7					4	
54		SS7060610SP		SCREW 3/32-56 L=5.5	FOR LU-2-810-7,2818-7				☆	4	
55		SS7060610SP		SCREW 3/32-56 L=5.5	FOR LU-2-860-7,2868-7				☆	8	
56		SS8110422TP		SCREW 11/64-40 L=4	FOR LU-2-810-7,2818-7					2	
57		SS8110422TP		SCREW 11/64-40 L=4	FOR LU-2-860-7,2868-7					4	
58		WP0320501SC		WASHER M3	FOR LU-2-810-7,2818-7					2	
59		WP0320501SC		WASHER M3	FOR LU-2-860-7,2868-7					4	
60		WP0450000SD		WASHER 4.5X8X0.5	FOR LU-2-810-7,2818-7					3	
61		WP0450000SD		WASHER 4.5X8X0.5	FOR LU-2-860-7,2868-7					6	
62		WP0550800SP		WASHER 5.5X10X0.8	FOR LU-2-810-7,2818-7					2	
63		WP0550800SP		WASHER 5.5X10X0.8	FOR LU-2-860-7,2868-7					4	
64		26231902		OIL WICK PIPE STOPPER						1	
65		SM4040655SP		SCREW M4 L=6	FOR LU-2-810-7,2860-7					1	
66		40126130		SOLENOID RELAY CABLE ASM.						1	
67		40126546		THREAD_TRIMMER_CAM_LEFT	FOR LU-2-860-7,2868-7					1	
68		EA9500B0100		CABLE BAND						1	
69		21389309		FIXED KNIFE	FOR LU-2-810-7,2818-7				☆	1	
70		21389309		FIXED KNIFE	FOR LU-2-860-7,2868-7				☆	2	
71		40112234		KNIFE_DRIVING_ARM_LINK	FOR LU-2-810-7,2818-7					1	
72		40112234		KNIFE_DRIVING_ARM_LINK	FOR LU-2-860-7,2868-7					2	
73		40112233		THREAD_TRIMMER_SOL_BASE_PLATE	FOR LU-2-810-7,2818-7					1	

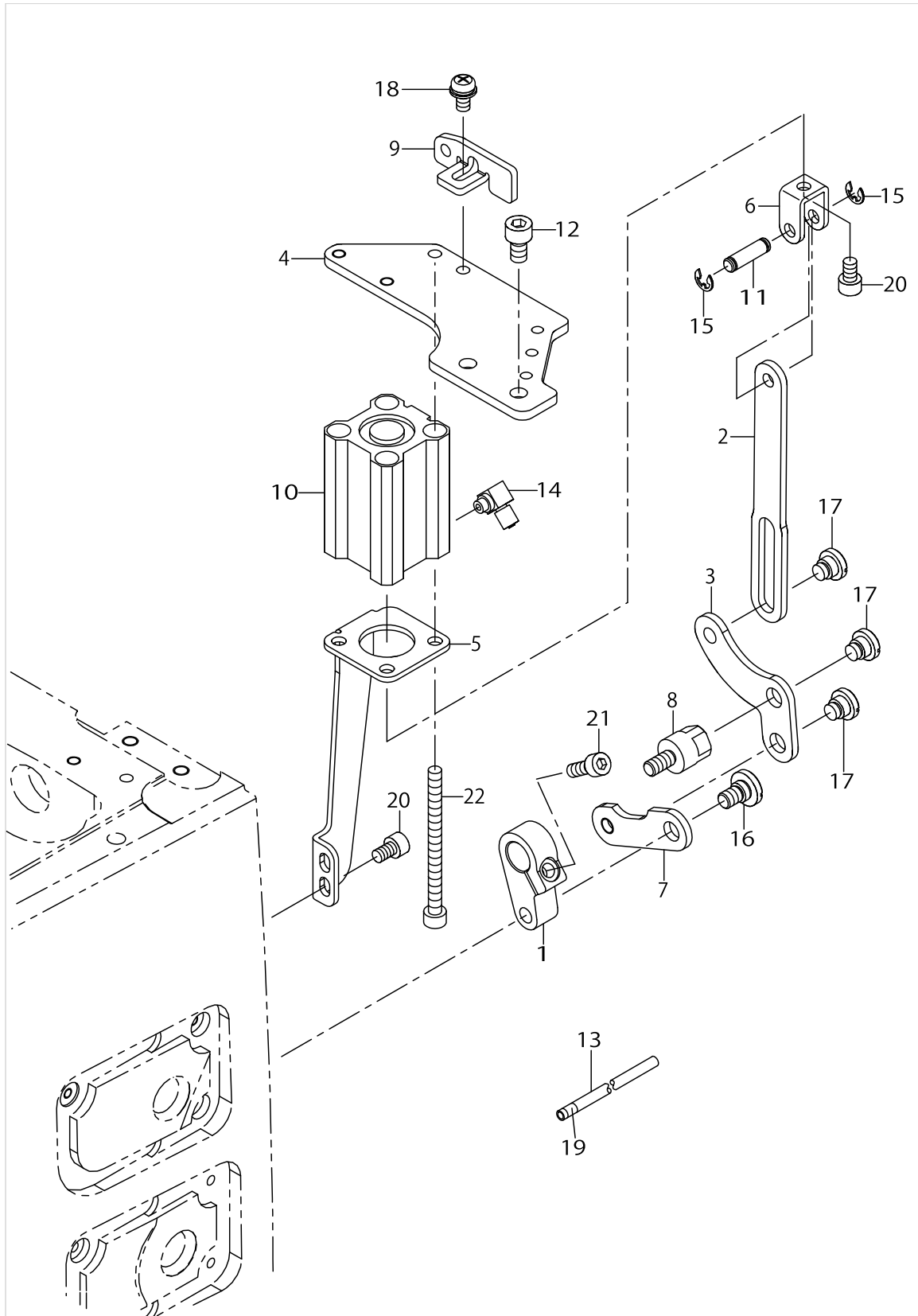
THREAD CUTTING COMPONENTS (FOR LU-2810-7,2860-7,2818-7,2868-7)



THREAD CUTTING COMPONENTS (FOR LU-2810-7,2860-7,2818-7,2868-7)

No.	Supply Code	Parts No.	Replacement	Parts name	Remarks	Choice	Step	Level	Cons	Qty	Rep. QTY
74		40112233		THREAD_TRIMMER_- SOL_BASE_PLATE	FOR LU-2- 860-7,2868-7					2	
75		40123248		MOVING_KNIFE_DRIVING_ARM	FOR LU-2- 810-7,2818-7					1	
76		40123248		MOVING_KNIFE_DRIVING_ARM	FOR LU-2- 860-7,2868-7					2	
77		40155295		F_KNIFE_SPACER_T=0.2	FOR LU-2818-7					1	
78		40155296		F_KNIFE_SPACER_T=0.4	FOR LU-2818-7					1	
79		40155297		F_KNIFE_SPACER_T=0.6	FOR LU-2818-7					1	
80		40155298		F_KNIFE_SPACER_T=0.8	FOR LU-2818-7					1	
81		40155299		F_KNIFE_SPACER_T=1.0	FOR LU-2818-7					1	
82		40155295		F_KNIFE_SPACER_T=0.2	FOR LU-2868-7					2	
83		40155296		F_KNIFE_SPACER_T=0.4	FOR LU-2868-7					2	
84		40155297		F_KNIFE_SPACER_T=0.6	FOR LU-2868-7					2	
85		40155298		F_KNIFE_SPACER_T=0.8	FOR LU-2868-7					2	
86		40155299		F_KNIFE_SPACER_T=1.0	FOR LU-2868-7					2	
87		40155301		CLAMP_SPRING_SPACER_T=0.2	FOR LU-2818-7					1	
88		40155302		CLAMP_SPRING_SPACER_T=0.4	FOR LU-2818-7					1	
89		40155303		CLAMP_SPRING_SPACER_T=0.6	FOR LU-2818-7					1	
90		40155304		CLAMP_SPRING_SPACER_T=0.8	FOR LU-2818-7					1	
91		40155305		CLAMP_SPRING_SPACER_T=1.0	FOR LU-2818-7					1	
92		40155301		CLAMP_SPRING_SPACER_T=0.2	FOR LU-2868-7					2	
93		40155302		CLAMP_SPRING_SPACER_T=0.4	FOR LU-2868-7					2	
94		40155303		CLAMP_SPRING_SPACER_T=0.6	FOR LU-2868-7					2	
95		40155304		CLAMP_SPRING_SPACER_T=0.8	FOR LU-2868-7					2	
96		40155305		CLAMP_SPRING_SPACER_T=1.0	FOR LU-2868-7					2	
97		SM4040855SP		SCREW	FOR LU-2- 818-7,2868-7					1	
98		40157628		F_KNIFE_SPACER	FOR LU-2818-7					1	
99		40157629		F_KNIFE_SPACER	FOR LU-2818-7					1	
100		40157628		F_KNIFE_SPACER	FOR LU-2868-7					2	
101		40157629		F_KNIFE_SPACER	FOR LU-2868-7					2	
102		40157625		CLAMP_SPRING_SPACER	FOR LU-2818-7					1	
103		40157626		CLAMP_SPRING_SPACER	FOR LU-2818-7					1	
104		40157625		CLAMP_SPRING_SPACER	FOR LU-2868-7					2	
105		40157626		CLAMP_SPRING_SPACER	FOR LU-2868-7					2	

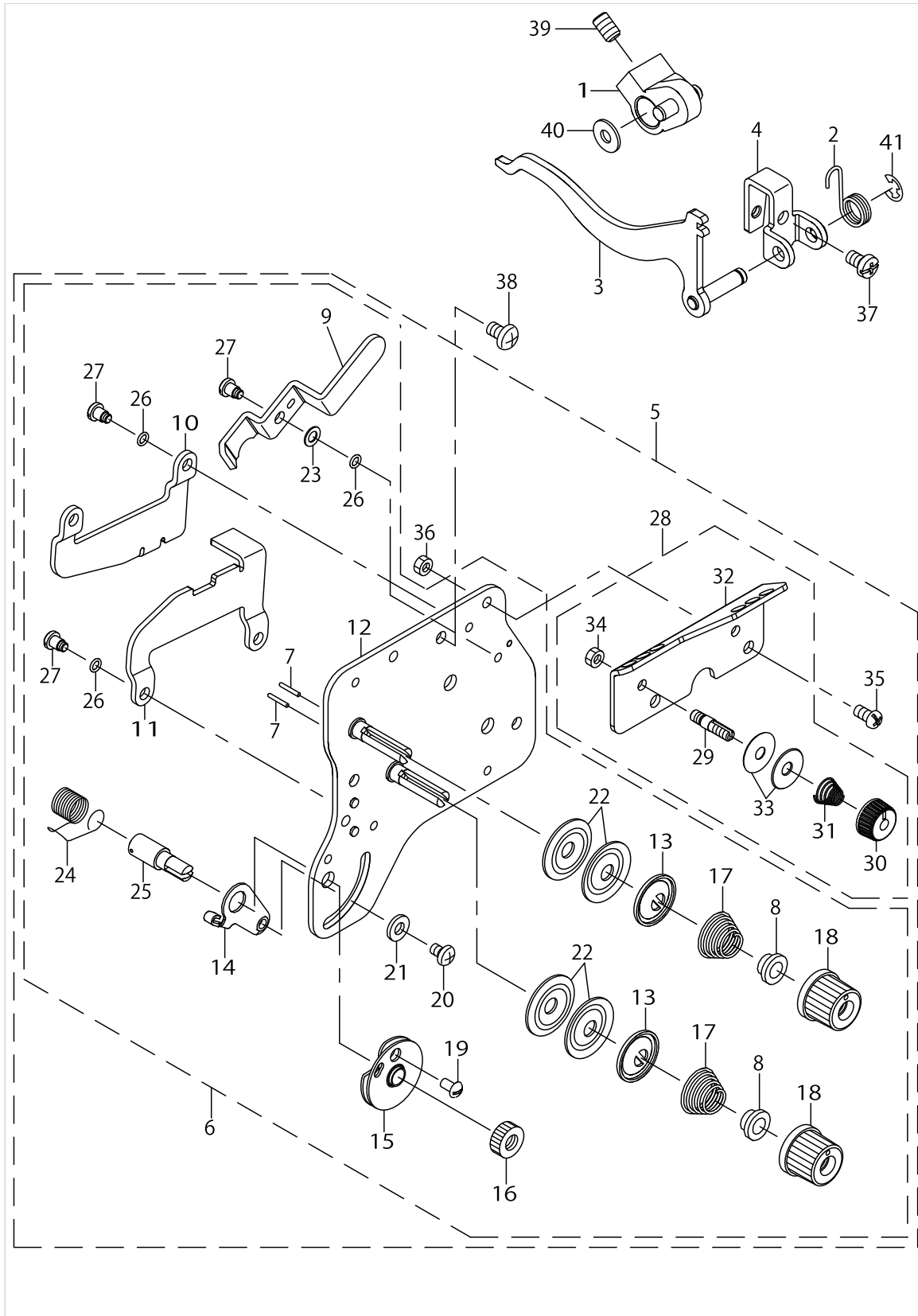
CONDENSE COMPONENTS (FOR LU-2818-7,2868-7)



CONDENSE COMPONENTS (FOR LU-2818-7,2868-7)

No.	Supply Code	Parts No.	Replacement	Parts name	Remarks	Choice	Step	Level	Cons	Qty	Rep. QTY
1		40133612		CONDENSE ARM						1	
2		40112137		LINK_A						1	
3		40112138		LINK_B						1	
4		40125872		CYLINDER_BRACKET						1	
5		40112140		CYLINDER_STAY						1	
6		40112149		CYLINDER_KNUCKLE						1	
7		40133655		LINK D						1	
8		40171514		BT_LINK_STUD						1	
9		40112228		MOTOR_COVER_FITTING_PLATE						1	
10		40142208		AIR CYLINDER						1	
11		D2464555B00		LINK DRIVING MAGNET PIN						1	
12		SM6061002TP		SCREW M6 L=10						2	
13		BT0400251EB		URETHANE HOSE BLACK						.27	
14		PJ046052503		HOSE ELBOW						1	
15		RE0400000K0		E-RING 4						2	
16		SD0800321TH		HINGE SCREW D=8 H=3.2						1	
17		SD0800341SP		HINGE SCREW D=8 H=3.4						3	
18		SL4051091SC		SCREW M5X0.8 L=10						1	
19		18035709		WIRE MARK (8)						1	
20		SM6050802TP		SCREW M5X0.8 L=8						3	
21		SM6051402TP		SCREW M5X0.8 L=14						1	
22		SM6056552TP		SCREW						3	

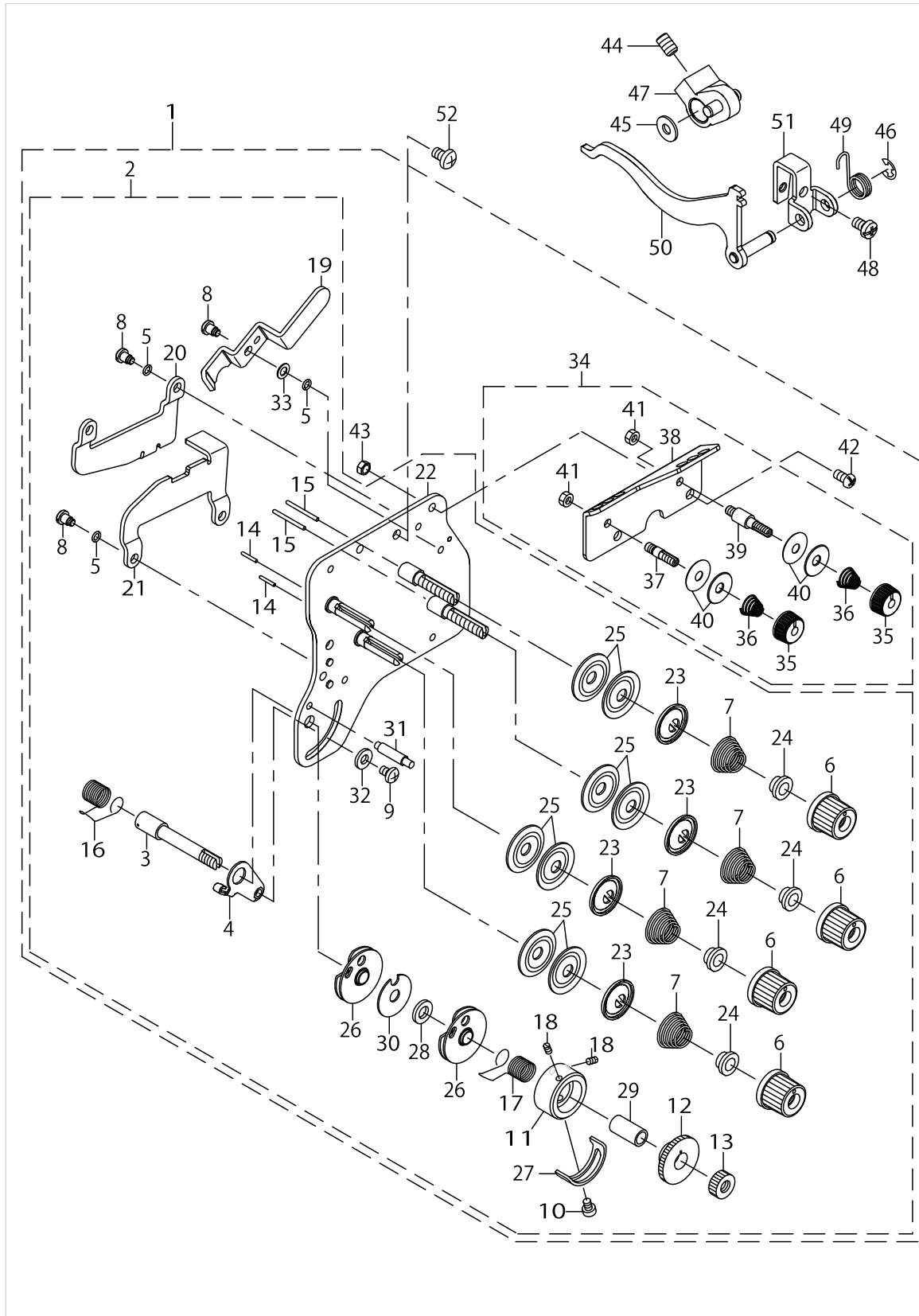
THREAD TENSION COMPONENTS (FOR LU-2810,2810-7,2818-7)



THREAD TENSION COMPONENTS (FOR LU-2810,2810-7,2818-7)

No.	Supply Code	Parts No.	Replacement	Parts name	Remarks	Choice	Step	Level	Cons	Qty	Rep. QTY
1		22912257		FEED REVERSE ARM ASM.						1	
2		22954309		REVERSE FEED SWITCH SPRING						1	
3		40126265		DISK_RELEASE_LINK_ASM.						1	
4		40125873		DISK_RELEASE_LINK_BASE						1	
5		40155956		THREAD_TENSION_ASSY_2810						1	
6		40161459		THREAD_TENSION_- PLATE_ASM_2810				*		1	
7		22618201		TENSION RELEASE PIN A				*		2	
8		B3112704000		TENSION SPRING BUSHING				*		2	
9		40112204		TENSION_RELEASE_LEVER				*		1	
10		40112218		DISK_RELEASE_PLATE_A				*		1	
11		40112219		DISK_RELEASE_PLATE_B				*		1	
12		40126404		ASSY_TENSION_BASE_PLATE_2810				*		1	
13		40126724		TENSION_DISC HOLDER				*		2	
14		10697506		THREAD TENSION BRACKET A				*		1	
15		B31375270A0		TAKE-UP SPRING GUIDE ASM.				*		1	
16	R	22617807	22928808	NUT				*		1	1.00
17		12938304		TENSION SPRING				*	☆	2	
18		13817408		THREAD TENSION NUT				*	☆	2	
19		SS3090710TP		SCREW 9/64-40 L=7				*		1	
20		SS4110615SP		SCREW 11/64-40 L=6				*		1	
21		WP0501016SD		WASHER 5X10.5X1				*		1	
22		22921506		THREAD TENSION DISK				*		4	
23		WP0460556SD		WASHER 4.6X7.5X0.5				*		1	
24		22618706		THREAD TAKE-UP SPRING A				*	☆	1	
25		10320109		SCREW STUD				*		1	
26		RO037180100		RUBBER RING				*		5	
27		SD0450401SP		HINGE SCREW D=4.5 H=4				*		5	
28		40155958		THREAD_GUIDE_PLATE_ASM_2810				*		1	
29		40155994		TEREAD_TENSION_POST_A				*		1	
30		22945703		THREAD TENSION NUT				*		1	
31	R	22963409	22963458	THREAD TENSION SPRING				*	☆	1	1.00
32		40155960		THREAD_GUIDE_PLATE				*		1	
33		22945802		THREAD TENSION DISK				*		1	
34		NS6110310SP		NUT 11/64-40				*		1	
35		SS4110815SP		SCREW 11/64-40 L=8				*		2	
36		NS6110310SP		HEXAGONAL NUT 11/64-40				*		2	
37		SM4050855SP		SCREW				*		1	
38		SM4051001SN		SCREW M5				*		3	
39		SS8661012TP		SCREW				*		1	
40		22528509		FELT				*		1	
41		RE050000K0		E-RING				*		1	

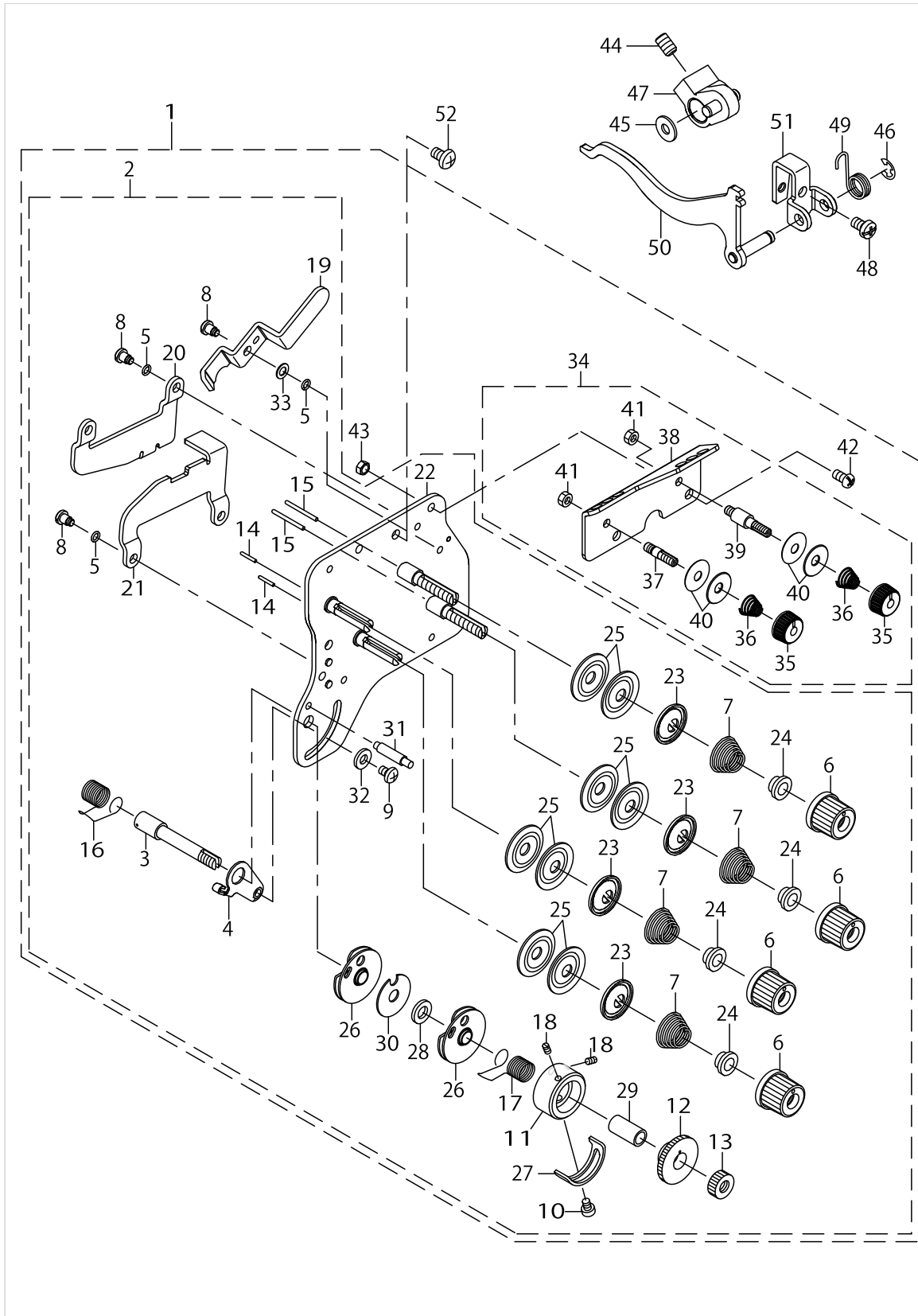
THREAD TENSION COMPONENTS (FOR LU-2860,2860-7,2868-7)



THREAD TENSION COMPONENTS (FOR LU-2860,2860-7,2868-7)

No.	Supply Code	Parts No.	Replacement	Parts name	Remarks	Choice	Step	Level	Cons	Qty	Rep. QTY
1		40155957		THREAD_TENSION_ASSY_2860						1	
2		40161460		THREAD_TENSION_PLATE_ASM_2860				*		1	
3		10697605		THREAD TAKE-UP SPRING STUD				*		1	
4		10697506		THREAD TENSION BRACKET A				*		1	
5		RO037180100		RUBBER RING				*		5	
6		13817408		THREAD TENSION NUT				*	☆	4	
7		12938304		TENSION SPRING				*	☆	4	
8		SD0450401SP		HINGE SCREW D=4.5 H=4				*		5	
9		SS4110615SP		SCREW 11/64-40 L=6				*		1	
10		SS7090510SP		SCREW 9/64-40 L=4.6				*		1	
11		22617609		THREAD TENSION POST				*		1	
12		22617708		TAKE-UP SPRING GUIDE				*		1	
13	R	22617807	22928808	NUT				*		1	1.00
14		22618201		TENSION RELEASE PIN A				*		2	
15		22618300		TENSION RELEASE PIN B				*		2	
16		22618706		THREAD TAKE-UP SPRING A				*	☆	1	
17		22618805		THREAD TAKE-UP SPRING B				*	☆	1	
18	R	22618904	SM8030500SP	SET SCREW				*		2	1.00
19		40112204		TENSION_RELEASE_LEVER				*		1	
20		40112218		DISK_RELEASE_PLATE_A				*		1	
21		40112219		DISK_RELEASE_PLATE_B				*		1	
22		40126557		ASSY_TENSION_BASE_PLATE_2860				*		1	
23		40126724		TENSION_DISC HOLDER				*		4	
24		B3112704000		TENSION SPRING BUSHING				*		4	
25		22921506		THREAD TENSION DISK				*		8	
26		B31375270A0		TAKE-UP SPRING GUIDE ASM.				*		2	
27		B3138527000		ADJUSTING PLATE B				*		1	
28		B3139527000		COLLAR				*		1	
29		B3141527000		PRESSER COLLAR				*		1	
30		B3142527000		TAKE-UP SPRING GUIDE PLATE				*		1	
31		B3143527000		TAKE-UP SPRING GUIDE STUD				*		1	
32		WP0501016SD		WASHER 5X10.5X1				*		1	
33		WP0460556SD		WASHER 4.6X7.5X0.5				*		1	
34		40155959		THREAD_GUIDE_PLATE_ASM_2860				*		1	
35		22945703		THREAD TENSION NUT				*		2	
36	R	22963409	22963458	THREAD TENSION SPRING				*	☆	2	1.00
37		40155994		TEREAD_TENSION_POST_A				*		1	
38		40155960		THREAD_GUIDE_PLATE				*		1	
39		40155995		TEREAD_TENSION_POST_B				*		1	
40		22945802		THREAD TENSION DISK				*		4	
41		NS6110310SP		NUT 11/64-40				*		2	
42		SS4110815SP		SCREW 11/64-40 L=8				*		2	
43		NS6110310SP		HEXAGONAL NUT 11/64-40				*		2	
44		SS8661012TP		SCREW				*		1	
45		22528509		FELT				*		1	
46		RE050000K0		E-RING				*		1	

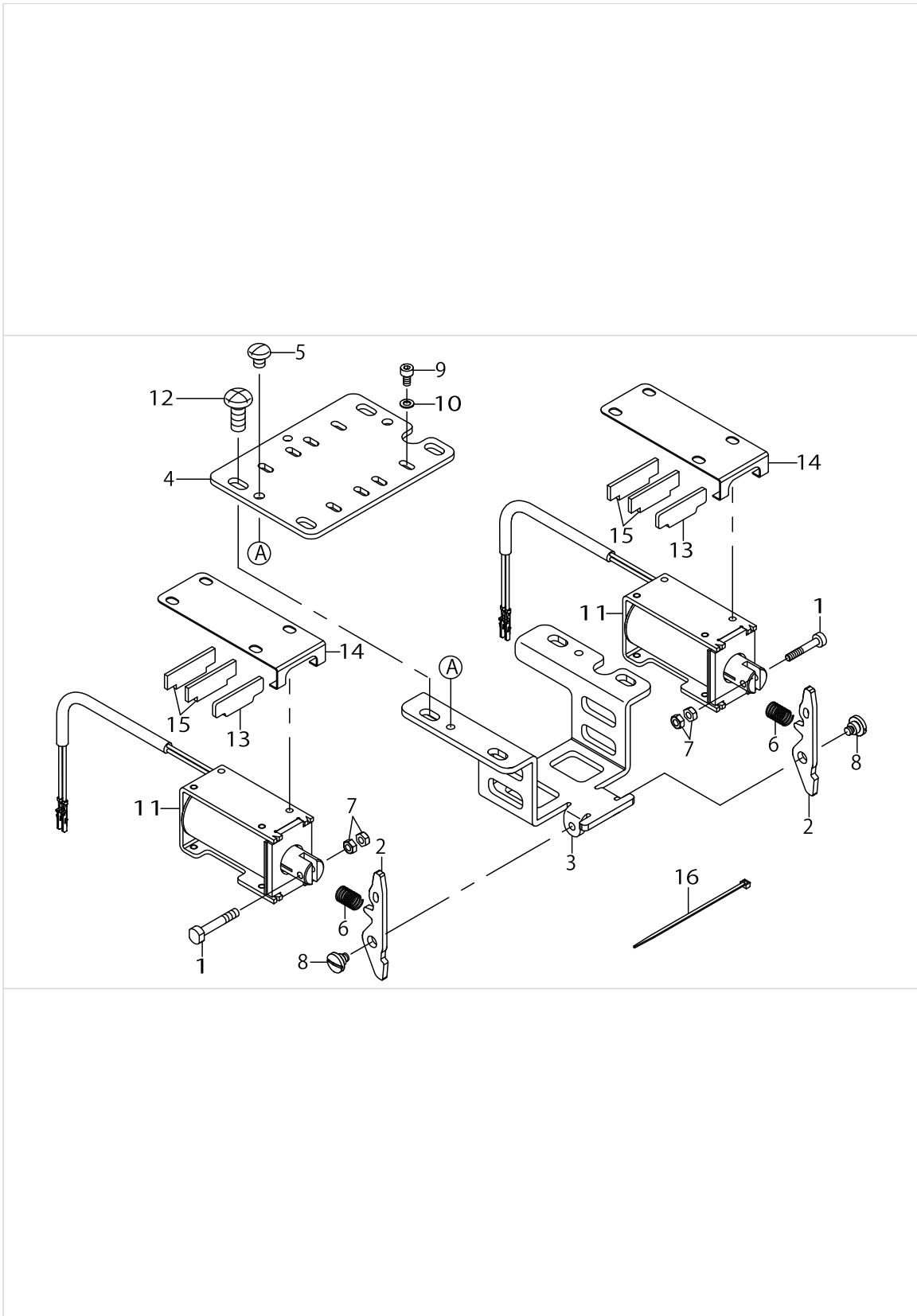
THREAD TENSION COMPONENTS (FOR LU-2860,2860-7,2868-7)



THREAD TENSION COMPONENTS (FOR LU-2860,2860-7,2868-7)

No.	Supply Code	Parts No.	Replacement	Parts name	Remarks	Choice	Step	Level	Cons	Qty	Rep. QTY
47		22912257		FEED REVERSE ARM ASM.						1	
48		SM4050855SP		SCREW						1	
49		22954309		REVERSE FEED SWITCH SPRING						1	
50		40126265		DISK_RELEASE_LINK_ASM.						1	
51		40125873		DISK_RELEASE_LINK_BASE						1	
52		SM4051001SN		SCREW M5						3	

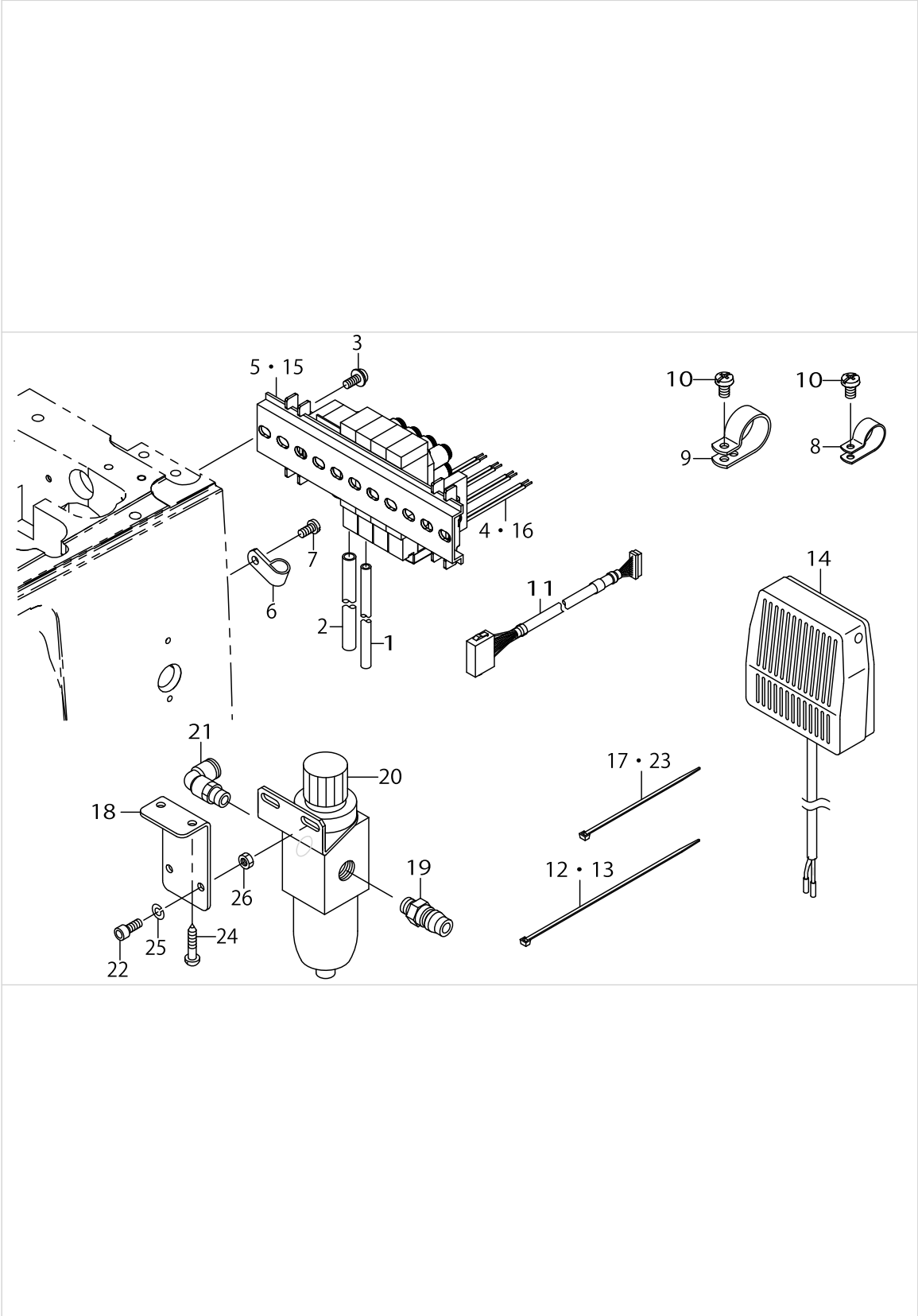
TENSION RELEASE COMPONENTS (FOR LU-2810-7,2860-7,2818-7,2868-7)



TENSION RELEASE COMPONENTS (FOR LU-2810-7,2860-7,2818-7,2868-7)

No.	Supply Code	Parts No.	Replacement	Parts name	Remarks	Choice	Step	Level	Cons	Qty	Rep. QTY
1		40139345		PLUNGER_LINK_PIN						2	
2		40125948		RELEASE_SOLENOID_LINK						2	
3		40126263		SOLENOID_LINK_MOUNTING_PLATE						1	
4		40125949		RELEASE_SOLENOID_BASE						1	
5		SS4090515SP		SCREW 9/64-40 L=5						2	
6		32055501		AT (UPPER) SPRING						2	
7		NM6030001SC		NUT M3X0.5 TYPE1						4	
8		SD0550271TP		HINGE SCREW D=5.50 H=2.7						2	
9		SM6030602TP		SCREW M3X0.5 L=6						8	
10	R	WP0320501SE	WP0320501SC	WASHER 3.2X7.0X0.5						8	1.00
11		40112285		TENSION_RELEASE_SOLENOID						2	
12		SM4051255SP		SCREW M5 L=12						4	
13		40126563		STOPPER_PLATE						2	
14		40126562		RUBBER HOLDER						2	
15		40086679		WIPER_STOPPER_RUBBER						4	
16		EA9500B0100		CABLE BAND						1	

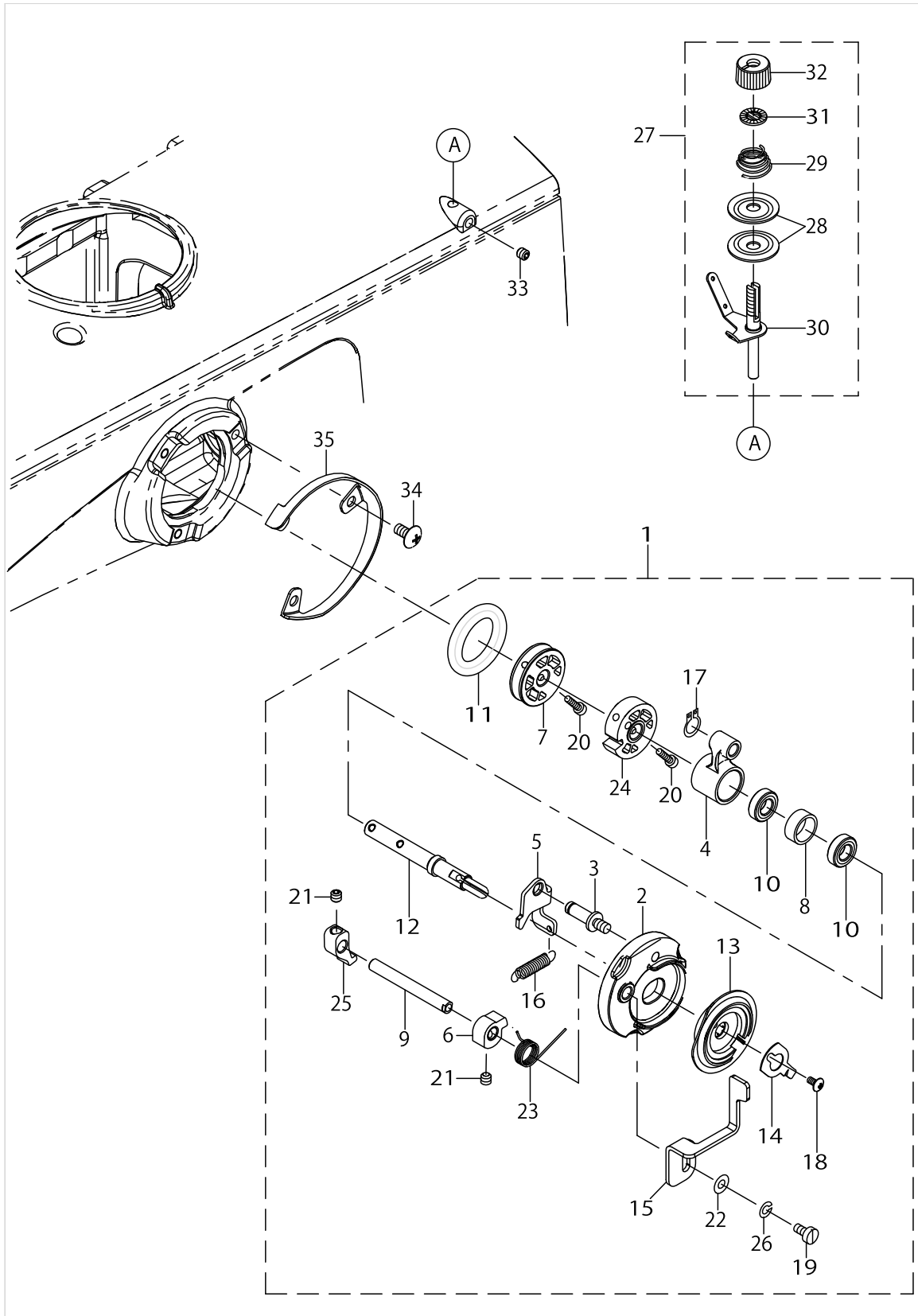
PNEUMATIC COMPONENTS (FOR LU-2810-7,2860-7,2818-7,2868-7)



PNEUMATIC COMPONENTS (FOR LU-2810-7,2860-7,2818-7,2868-7)

No.	Supply Code	Parts No.	Replacement	Parts name	Remarks	Choice	Step	Level	Cons	Qty	Rep. QTY
1		BT0600401EB		TUBE						1.1	
2		BT0800501EB		VINYL TUBE						1.1	
3		SL4041091SC		SCREW M4 L=10						2	
4		40126128		SOLENOID VALVE CABLE ASM.	FOR LU-2-810-7,2860-7					1	
5		40126545		SOLENOID_VALVE_ASSY	FOR LU-2-810-7,2860-7					1	
6		HX00150000C		CABLE CLIP						1	
7		SM4040855SP		SCREW						1	
8		HX00150000H		CABLE CLIP						1	
9		HX00150000M		CABLE CLIP						1	
10		SM4040855SP		SCREW						2	
11		40126127		AIR VALVE RELAY CABLE ASM.						1	
12		EA9500B0200		CABLE BAND 150	FOR LU-2-810-7,2860-7					2	
13		EA9500B0200		CABLE BAND 150	FOR LU-2-818-7,2868-7					4	
14		40143553		KNEE_SWITCH_ASM.						1	
15		40130283		SOLENOID_VALVE_ASM	FOR LU-2-818-7,2868-7					1	
16		40130284		SOLENOID VALVE CABLE ASM	FOR LU-2-818-7,2868-7					1	
17		EA9500B0100		CABLE BAND	FOR LU-2-818-7,2868-7					1	
18		13860408		REGULATOR BRACKET						1	
19		PJ025100003		PLUG						1	
20		PF055107000		FILTER REGULATOR						1	
21		PJ304065101		ELBOW UNION 6XPT1/8						1	
22		SM6051202TP		SCREW M5X0.8 L=12						2	
23		EA9500B0100		CABLE BAND	FOR LU-2-810-7,2860-7					1	
24		SK3482001SE		WOOD SCREW D=4.8 L=20						2	
25		WS0510002KN		SPRING WASHER M5						2	
26		NM6050001SP		NUT M5						2	

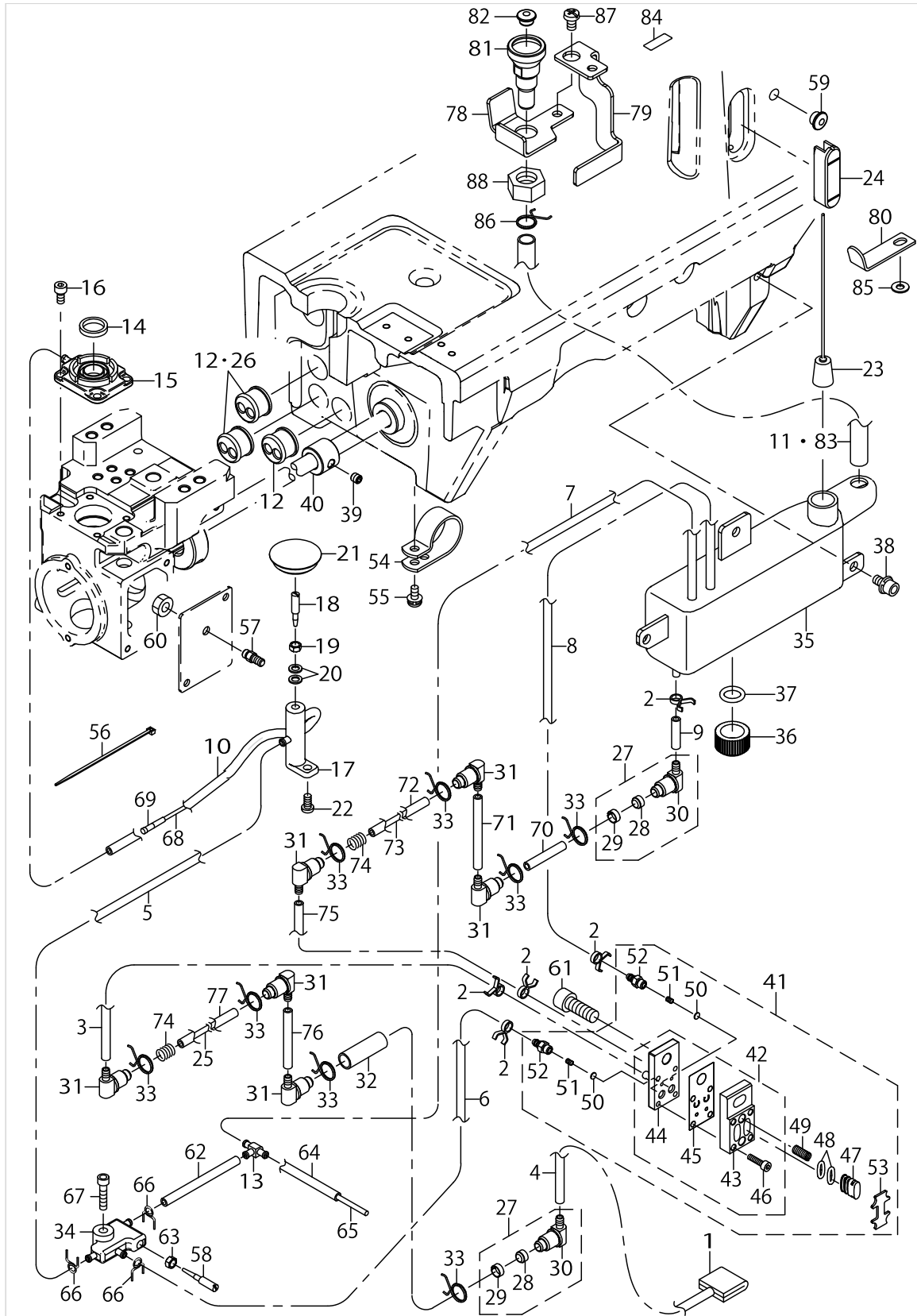
BOBBIN WINDER COMPONENTS



BOBBIN WINDER COMPONENTS

No.	Supply Code	Parts No.	Replacement	Parts name	Remarks	Choice	Step	Level	Cons	Qty	Rep. QTY
1		40126355		BOBBIN_WINDER_UNIT						1	
2	R	26260109	26260000	BTW_BASE				*		1	1.00
3		26260307		BTW_BASE_SHAFT				*		1	
4		26260406		BTW_SHAFT_BASE				*		1	
5		40126594		BTW_CAM_PLATE				*		1	
6		26260505		BTW_CAM_LEVER				*		1	
7		40125851		WINDER_WHEEL				*		1	
8	R	26260802	26260000	BTW_BEARING_SPACER				*		1	1.00
9		26261008		BTW_LEVER_SHAFT				*		1	
10		40126354		WINDER_BEARING				*		1	
11		26261503		BTW_WHEEL_RUBBER				*	☆	1	
12		40126550		BOBBIN_SHAFT				*		1	
13		40125927		BOBBIN_BASE				*		1	
14		40126311		WINDER_CUTTER				*		1	
15		40151791		BOBBIN_LEVER				*		1	
16		13718507		SPRING				*		1	
17		RC0560711KP		RETAINING RING				*		1	
18		SM0030601SC		SCREW M3X0.5 L=6				*		1	
19		SM6040860TP		SCREW M4 L=8				*		1	
20		SM6031202TP		SCREW M3X0.5 L=12				*		1	
21		SM8050502TP		SCREW M5 L=5				*		2	
22		WP0450801SP		WASHER				*		1	
23		40126549		HELICAL_TORSION_COIL_SPRING				*		1	
24		40125928		WINDER_LATCH_CAM				*		1	
25		40125844		WINDER_LATCH_B				*		1	
26		WS0451040KP		SPRING WASHER 4.5X8.5X1				*		1	
27		40088958		BOBBIN_THREAD_TENSION_ASM.				*		1	
28		22921506		THREAD_TENSION_DISK				*		1	
29		22921704		THREAD_TENSION_SPRING_A				*	☆	1	
30		40088959		BOBBIN_THREAD_T- ENSION_ROD_ASM.				*		1	
31		22921407		ROTATION_STOPPER				*		1	
32		22921308		THREAD_TENSION_NUT				*		1	
33		SM8051002TP		SCREW M5 L=10				*		1	
34		SM0051001SC		SCREW				*		3	
35		40152022		BTW_GUARD				*		1	

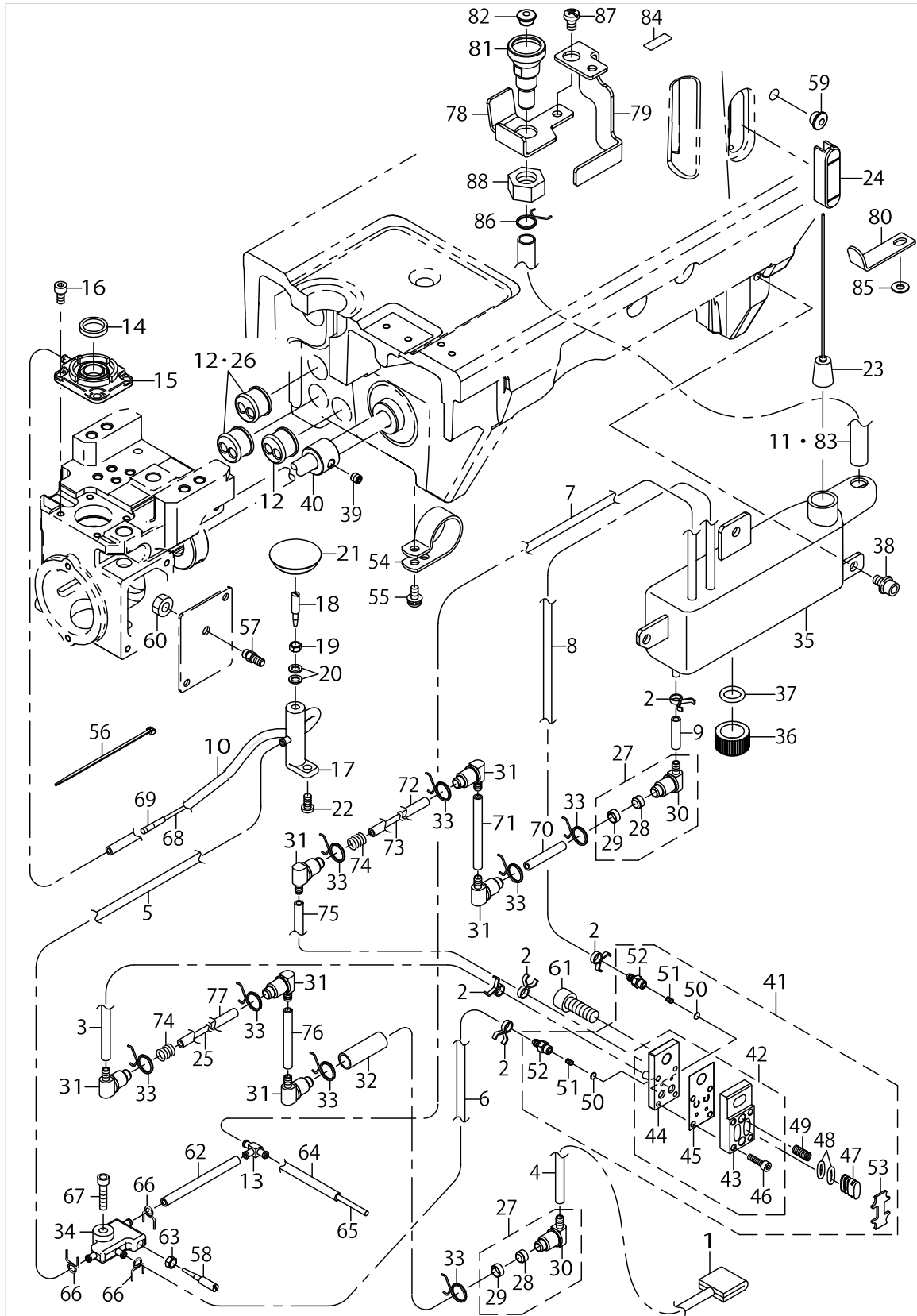
LUBRICATION COMPONENTS (FOR LU-2810,2810-7,2818-7)



LUBRICATION COMPONENTS (FOR LU-2810,2810-7,2818-7)

No.	Supply Code	Parts No.	Replacement	Parts name	Remarks	Choice	Step	Level	Cons	Qty	Rep. QTY
1		40112320		FELT						1	
2		13142609		OIL TUBE HOLDER						5	
3		23630007		TUBE						.1	
4		23630007		TUBE						.4	
5		23630007		TUBE						.12	
6		23630007		TUBE						.08	
7		23630007		TUBE						.31	
8		23630007		TUBE						.4	
9		23630007		TUBE						.02	
10		23630007		TUBE						.22	
11		23630106		TUBE_B	FOR LU-2-810,2810-7					.32	
12	R	22935308	11100104	MAGNET_CORD_RUBBER						2	1.00
13		13765607		OIL_CONNEC_ARM						1	
14		40112318		OIL_SUPPLY_FELT						1	
15		40112246		OIL_SUPPLY						1	
16		SM6040802TP		SCREW_M4X0.7_L=8						4	
17		40069741		OIL_REGULATING_VALVE						1	
18		B1843563000		OIL_ADJUSTING_SCREW						1	
19		NS6110310SP		NUT_11/64-40_						1	
20		WP0450846SP		WASHER						2	
21		40028294		FEED_ADJUSTING_CAP						1	
22		SM4040855SP		SCREW						1	
23		23628357		FLOATERASM.						1	
24		40036167		OIL_GAGE						1	
25		CQ303000000		OIL WICK						.26	
26	R	22935308	11100104	MAGNETCORDRUBBER	FOR LU-2810-7					3	1.00
27		23630650		OIL_FILTER_JOINT_ASM.						2	
28	R	23630403	23630650	OIL_FILTER_STOPPER				*	☆	1	1.00
29	R	23630502	23630650	OIL_FILTER				*		1	1.00
30		23630601		OIL_FILTER_JOINT				*		1	
31		23630601		OIL_FILTER_JOINT						6	
32		23630106		TUBE_B						.03	
33		23629405		PIPE STOPPER B						8	
34		40032804		BASE						1	
35		40125929		OIL_TANK						1	
36		40013595		OIL_EXIT_CAP						1	
37		RO098240100		RUBBER_RING						1	
38		SL6051092TN		BOLT						3	
39		SM8050512TP		SCREW						1	
40		40101721		ECCENTRIC_CAM						1	
41		40101719		PUMP_BASE_ASSY						1	
42	R	40102249	40101719	PUMP_BASE_ASM.				*		1	1.00
43	R	40101715	40101719	PUMP_BASE_TOP				*		1	1.00
44	R	40101716	40101719	PUMP_BASE_BOTTOM				*		1	1.00
45	R	40101717	40101719	GASKET_SHEET				*		1	1.00
46		SM6031202TP		SCREW_M3X0.5_L=12				*		4	

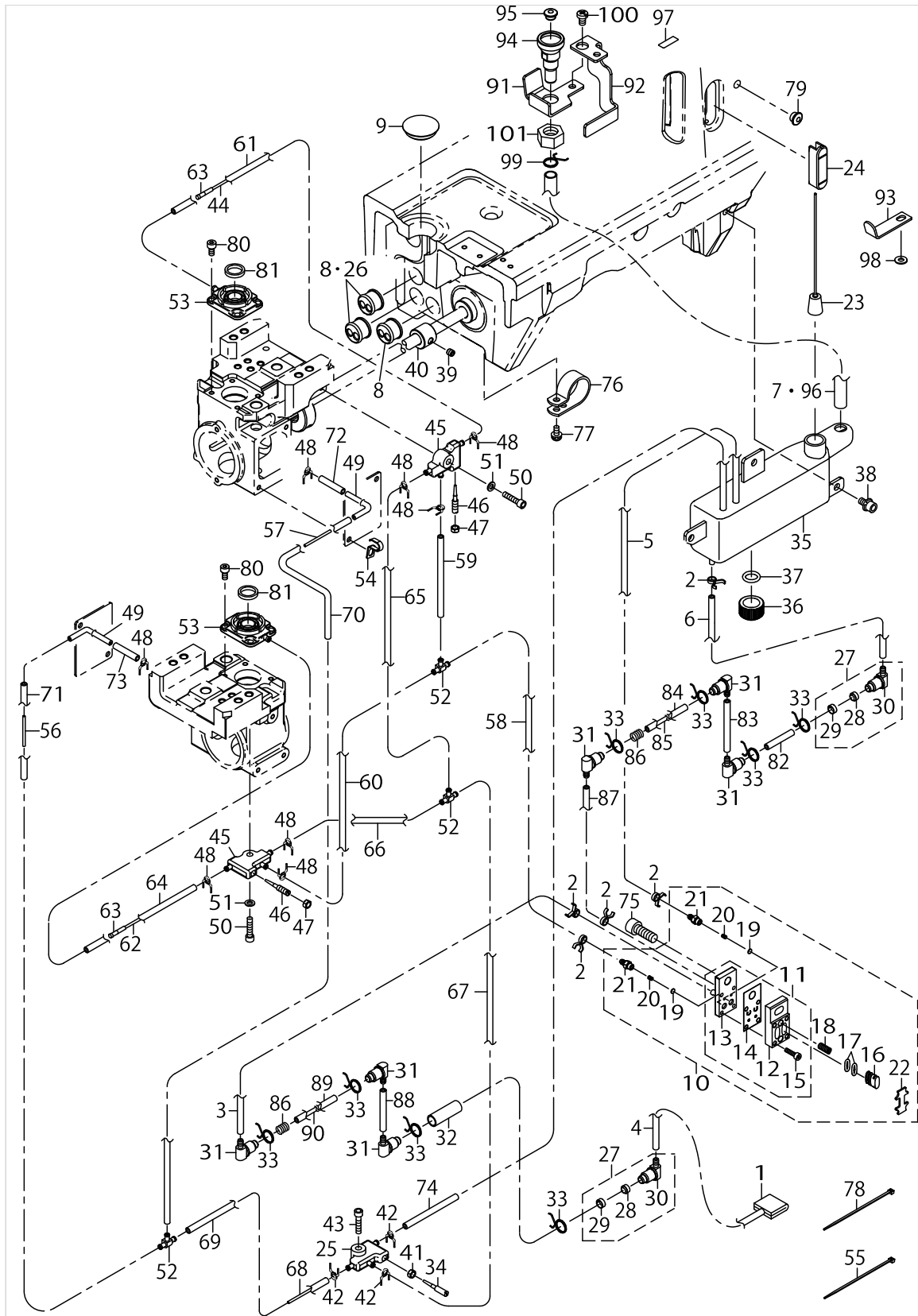
LUBRICATION COMPONENTS (FOR LU-2810,2810-7,2818-7)



LUBRICATION COMPONENTS (FOR LU-2810,2810-7,2818-7)

No.	Supply Code	Parts No.	Replacement	Parts name	Remarks	Choice	Step	Level	Cons	Qty	Rep. QTY
47	R	40101713	40101719	OVAL_PLUNGER				*		2	1.00
48		40116455		OVAL_O_RING				*		4	
49	R	40116456	40101719	SPRING				*		2	1.00
50		40116457		FREE_VALVE				*		2	
51		40116458		SPRING				*		2	
52		40116459		CONNECTING_SCREW				*		2	
53		40101714		PLUNGER_HOLD_PLATE				*		1	
54		HX00150000M		CABLE_CLIP						1	
55		SL4041091SC		SCREW M4 L=10						1	
56		EA9500B0100		CABLE_BAND						4	
57		SQ2050452MZ		CONNECTING_SCREW						1	
58		B1843563000		OIL_ADJUSTING_SCREW						1	
59		40126582		RUBBER_PLUG	FOR LU-2-810,2810-7					1	
60		NM6050003SC		NUT_M5X0.8						1	
61		SM6061802TP		SCREW_M6_L=18						1	
62		23630007		TUBE						.06	
63		NS6110310SP		NUT 11/64-40						1	
64		23630007		TUBE						.28	
65		CQ202000000		COTTON OIL WICK D=2						.05	
66		13142609		OIL TUBE HOLDER						3	
67		SM6041802TP		SCREW M4 L=18						1	
68		CQ202000000		OIL WICK						.18	
69		11015906		OIL WICK						2	
70		23630007		TUBE						.03	
71		23630007		TUBE						.05	
72		23630106		TUBE B						.09	
73		CQ303000000		OIL WICK						.26	
74		12210803		SPRING						2	
75		23630007		TUBE						.1	
76		23630007		TUBE						.04	
77		23630106		TUBE B						.09	
78		40147956		INLET_PLATE	FOR LU-2818-7					1	
79		40155370		TUBE HOLDER A	FOR LU-2818-7					1	
80		40155371		TUBE HOLDER B	FOR LU-2818-7					1	
81		40155440		LUBRICATING INLET	FOR LU-2818-7					1	
82		40126582		RUBBER_PLUG	FOR LU-2818-7					1	
83		23630106		TUBE B	FOR LU-2818-7					.35	
84		B1140761000		OILING LABEL	FOR LU-2818-7					1	
85		WP0450801SP		WASHER	FOR LU-2818-7					1	
86		23629405		PIPE STOPPER B	FOR LU-2818-7					1	
87		SM4050855SP		SCREW	FOR LU-2818-7					1	
88		NM6120001CP		NUT M12	FOR LU-2818-7					1	

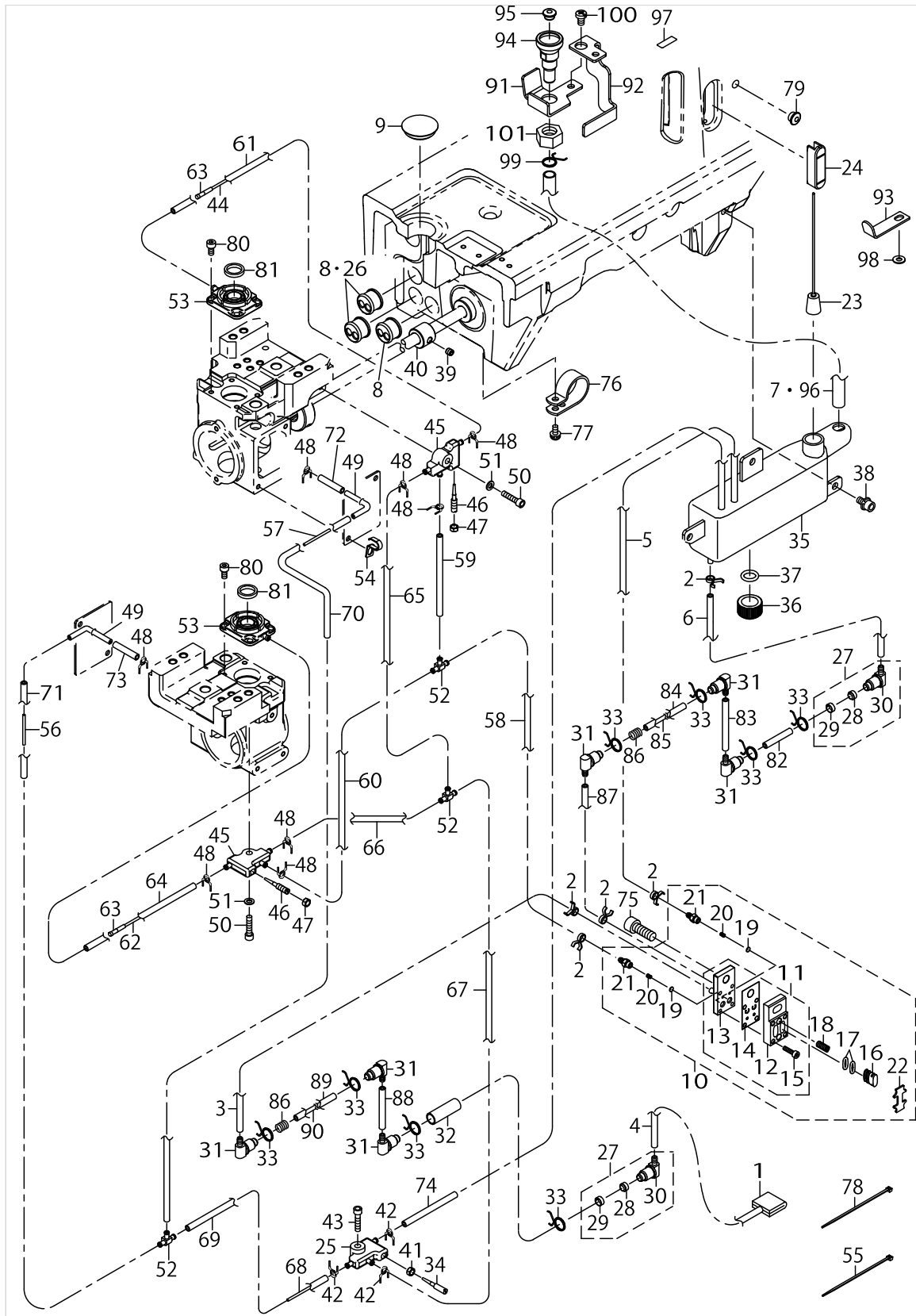
LUBRICATION COMPONENTS (FOR LU-2860,2860-7,2868-7)



LUBRICATION COMPONENTS (FOR LU-2860,2860-7,2868-7)

No.	Supply Code	Parts No.	Replacement	Parts name	Remarks	Choice	Step	Level	Cons	Qty	Rep. QTY
1		40112320		FELT						1	
2		13142609		OIL TUBE HOLDER						5	
3		23630007		TUBE						.1	
4		23630007		TUBE						.4	
5		23630007		TUBE						.4	
6		23630007		TUBE						.02	
7		23630106		TUBE_B	FOR LU-2-860,2860-7					.32	
8	R	22935308	11100104	MAGNET_CORD_RUBBER						2	1.00
9		40028294		FEED_ADJUSTING_CAP						1	
10		40101719		PUMP_BASE_ASSY						1	
11	R	40102249	40101719	PUMP_BASE_ASM.				*		1	1.00
12	R	40101715	40101719	PUMP_BASE_TOP				*		1	1.00
13	R	40101716	40101719	PUMP_BASE_BOTTOM				*		1	1.00
14	R	40101717	40101719	GASKET_SHEET				*		1	1.00
15		SM6031202TP		SCREW_M3X0.5_L=12				*		4	
16	R	40101713	40101719	OVAL_PLUNGER				*		2	1.00
17		40116455		OVAL_O_RING				*		4	
18	R	40116456	40101719	SPRING				*		2	1.00
19		40116457		FREE_VALVE				*		2	
20		40116458		SPRING				*		2	
21		40116459		CONNECTING_SCREW				*		2	
22		40101714		PLUNGER_HOLD_PLATE				*		1	
23		23628357		FLOATER ASM.						1	
24		40036167		OIL_GAGE						1	
25		40032804		BASE						1	
26	R	22935308	11100104	MAGNET CORD RUBBER	FOR LU-2860-7					3	1.00
27		23630650		OIL_FILTER_JOINT_ASM.						2	
28	R	23630403	23630650	OIL_FILTER_STOPPER				*	☆	1	1.00
29	R	23630502	23630650	OIL_FILTER				*		1	1.00
30		23630601		OIL_FILTER_JOINT				*		1	
31		23630601		OIL_FILTER_JOINT						6	
32		23630106		TUBE_B						.03	
33		23629405		PIPE STOPPER B						8	
34		B1843563000		OIL ADJUSTING SCREW						1	
35		40125929		OIL_TANK						1	
36		40013595		OIL_EXIT_CAP						1	
37		RO098240100		RUBBER_RING						1	
38		SL6051092TN		BOLT						3	
39		SM8050512TP		SCREW						1	
40		40101721		ECCENTRIC_CAM						1	
41		NS6110310SP		NUT 11/64-40						1	
42		13142609		OIL TUBE HOLDER						3	
43		SM6041802TP		SCREW M4 L=18						1	
44		CQ202000000		OIL WICK						.15	
45		40032804		BASE						2	
46		B1834512000A		OIL ADJUSTING SCREW						2	

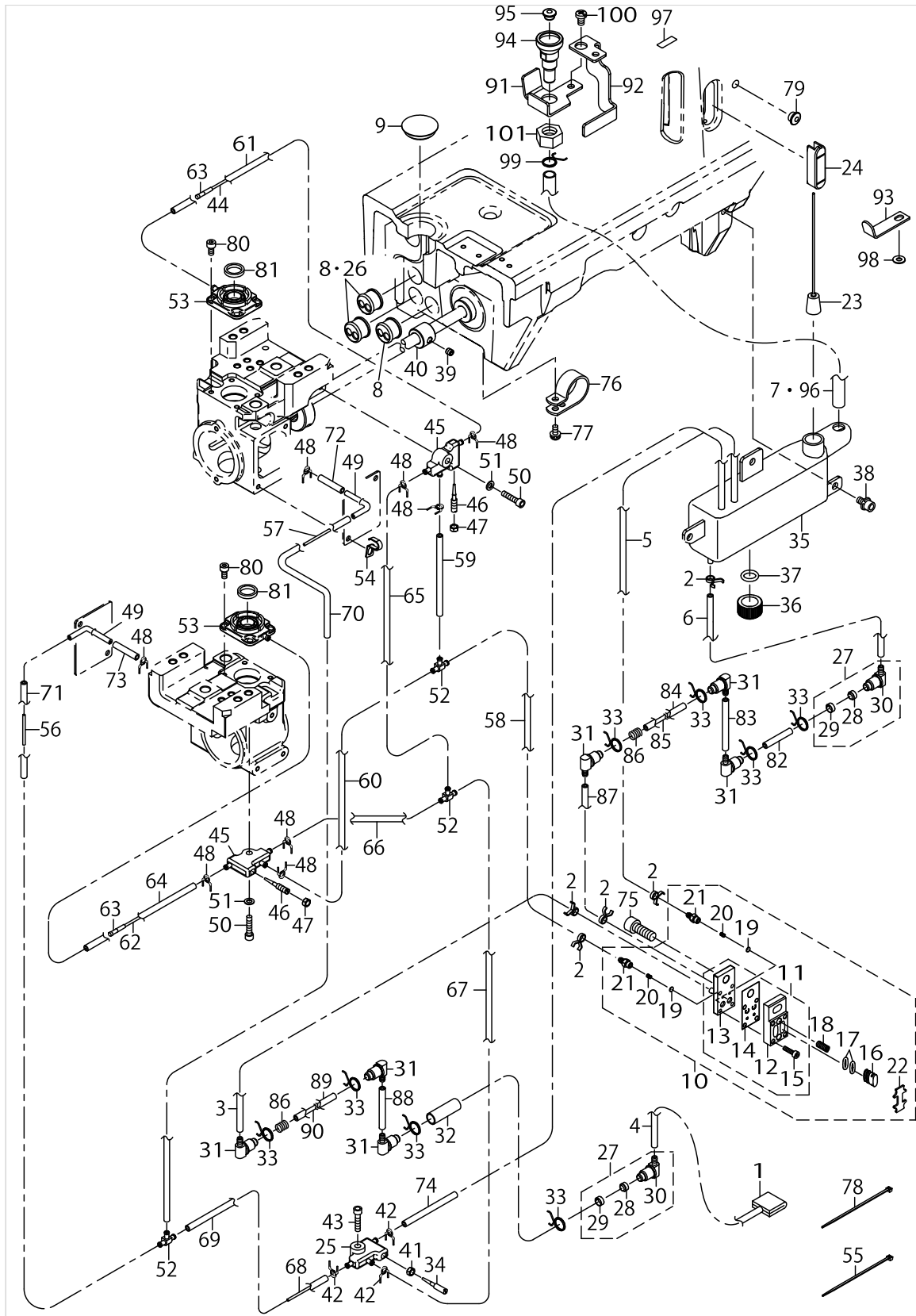
LUBRICATION COMPONENTS (FOR LU-2860,2860-7,2868-7)



LUBRICATION COMPONENTS (FOR LU-2860,2860-7,2868-7)

No.	Supply Code	Parts No.	Replacement	Parts name	Remarks	Choice	Step	Level	Cons	Qty	Rep. QTY
47		NS6110310SP		HEXAGONAL NUT 11/64-40						2	
48		13142609		OIL TUBE HOLDER						8	
49		22923908		HOOK DRIVING SH-AFT OILING PIPE						2	
50		SM6041802TP		SCREW M4 L=18						2	
51		WP0430800SD		WASHER M4						2	
52		13765607		OIL CONNEC. ARM						3	
53		40112246		OIL_SUPPLY						2	
54		26231902		OIL WICK PIPE STOPPER						1	
55		EA9500B0100		CABLE_BAND						2	
56		CQ202000000		COTTON OIL WICK D=2						.03	
57		CQ202000000		COTTON OIL WICK D=2						.03	
58		23630007		TUBE						.19	
59		23630007		TUBE						.08	
60		23630007		TUBE						.145	
61		23630007		TUBE						.195	
62		CQ202000000		OIL WICK						.16	
63		11015906		OIL WICK						4	
64		23630007		TUBE						.16	
65		23630007		TUBE						.065	
66		23630007		TUBE						.11	
67		23630007		TUBE						.18	
68		CQ202000000		OIL WICK						.1	
69		23630007		TUBE						.12	
70		23630007		TUBE						.13	
71		23630007		TUBE						.095	
72		23630007		TUBE						.026	
73		23630007		TUBE						.026	
74		23630007		TUBE						.33	
75		SM6061802TP		SCREW_M6_L=18						1	
76		HX00150000M		CABLE CLIP						1	
77		SL4041091SC		SCREW M4 L=10						1	
78		EA9500B0100		CABLE_BAND						5	
79		40126582		RUBBER_PLUG	FOR LU-2-860,2860-7					1	
80		SM6040802TP		SCREW_M4X0.7_L=8						8	
81		40112318		OIL_SUPPLY_FELT						2	
82		23630007		TUBE						.03	
83		23630007		TUBE						.05	
84		23630106		TUBE B						.09	
85		CQ303000000		OIL WICK						.26	
86		12210803		SPRING						2	
87		23630007		TUBE						.1	
88		23630007		TUBE						.04	
89		23630106		TUBE B						.09	
90		CQ303000000		OIL WICK						.26	
91		40147956		INLET_PLATE	FOR LU-2868-7					1	

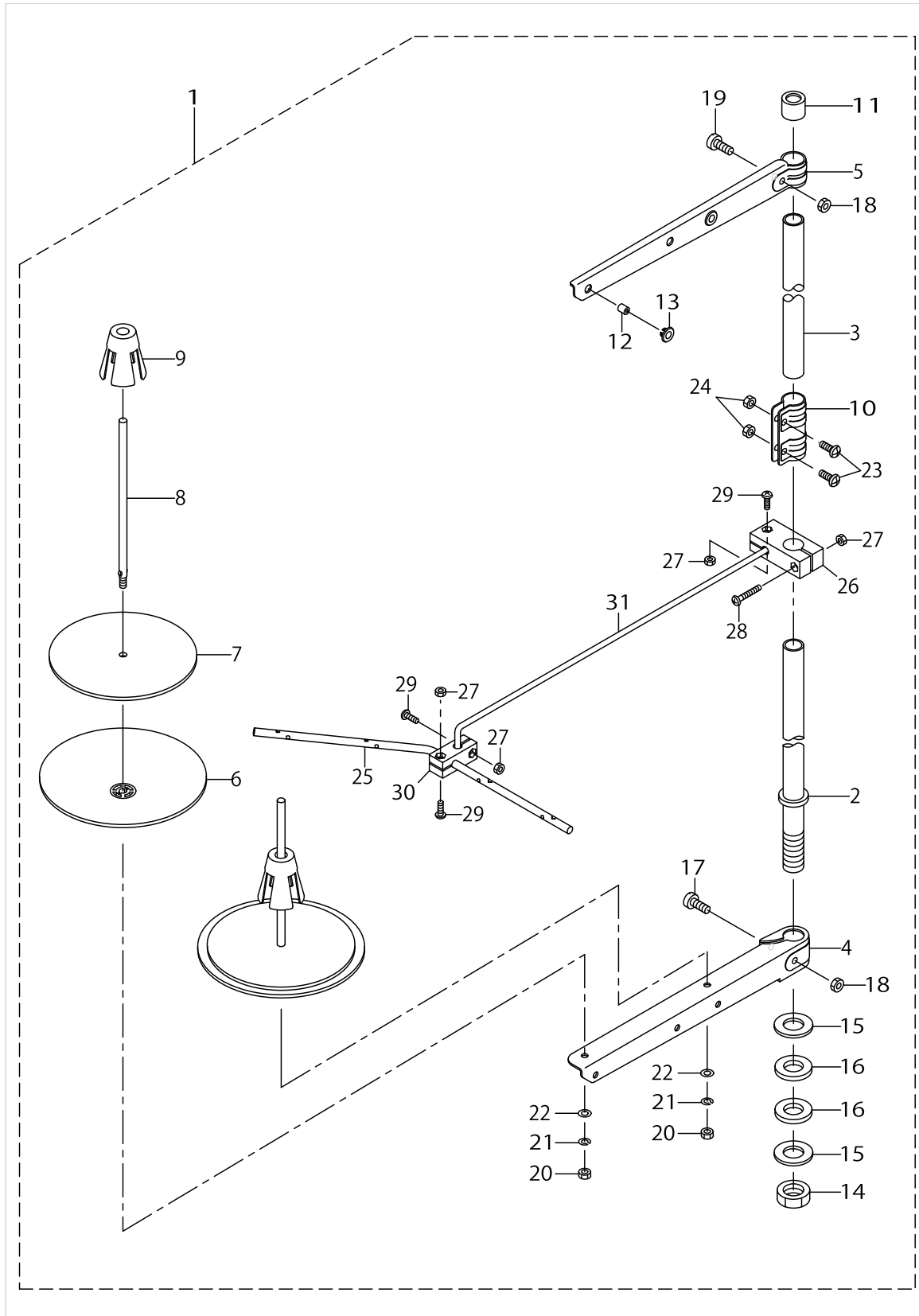
LUBRICATION COMPONENTS (FOR LU-2860,2860-7,2868-7)



LUBRICATION COMPONENTS (FOR LU-2860,2860-7,2868-7)

No.	Supply Code	Parts No.	Replacement	Parts name	Remarks	Choice	Step	Level	Cons	Qty	Rep. QTY
92		40155370		TUBE HOLDER A	FOR LU-2868-7					1	
93		40155371		TUBE HOLDER B	FOR LU-2868-7					1	
94		40155440		LUBRICATING INLET	FOR LU-2868-7					1	
95		40126582		RUBBER_PLUG	FOR LU-2868-7					1	
96		23630106		TUBE B	FOR LU-2868-7					.35	
97		B1140761000		OILING LABEL	FOR LU-2868-7					1	
98		WP0450801SP		WASHER	FOR LU-2868-7					1	
99		23629405		PIPE STOPPER B	FOR LU-2868-7					1	
100		SM4050855SP		SCREW	FOR LU-2868-7					1	
101		NM6120001CP		NUT M12	FOR LU-2868-7					1	

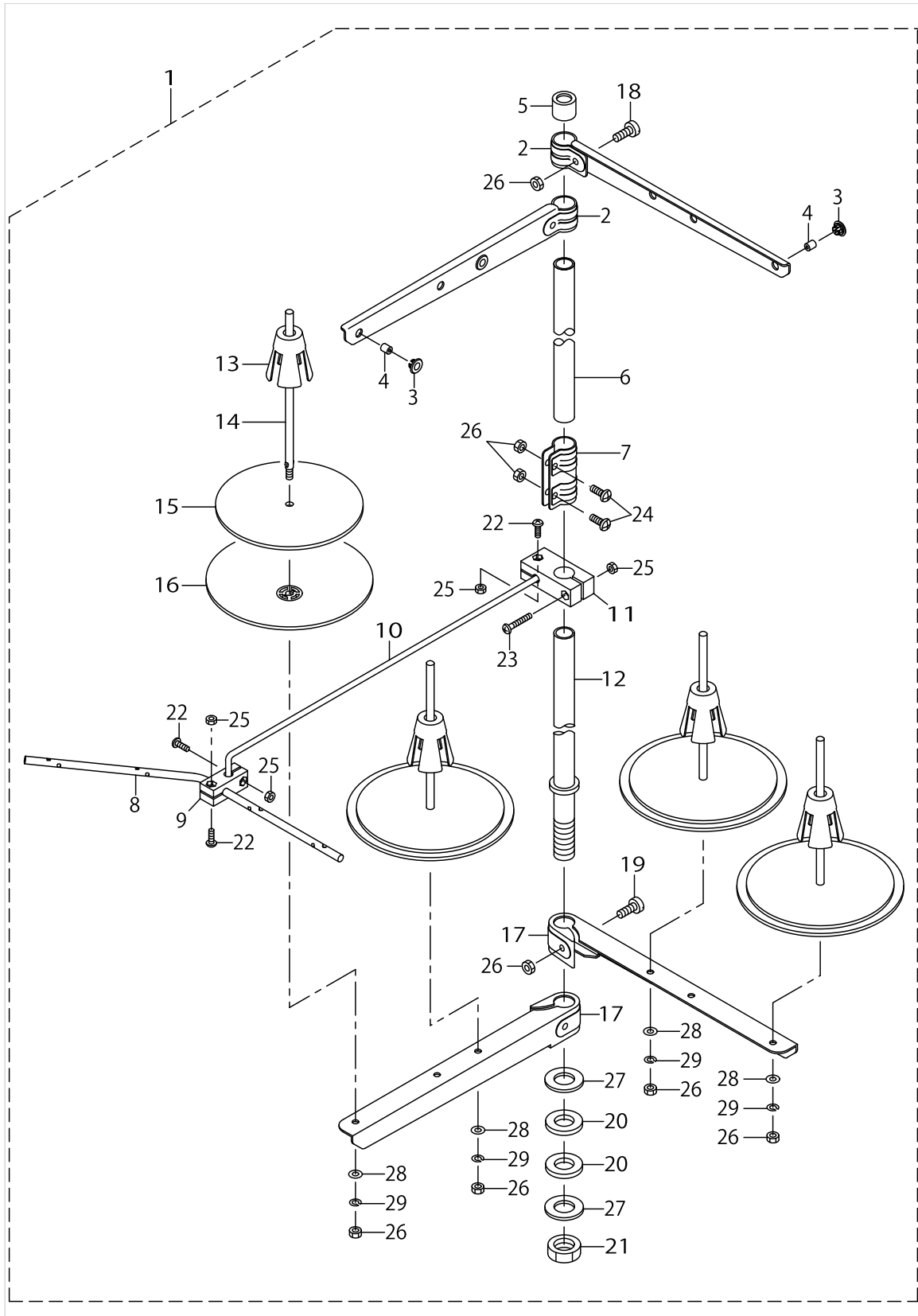
THREAD STAND COMPONENTS (FOR LU-2810,2810-7,2818-7)



THREAD STAND COMPONENTS (FOR LU-2810,2810-7,2818-7)

No.	Supply Code	Parts No.	Replacement	Parts name	Remarks	Choice	Step	Level	Cons	Qty	Rep. QTY
1		40142213		THREAD_STAND_PACKING						1	
2		40085784		SPOOL_REST_ROD_LOWER				*		1	
3		40085785		SPOOL_REST_ROD_UPPER				*		1	
4		40085786		SPOOL_REST_ARM_LOWER				*		1	
5		40085787		SPOOL_REST_ARM_UPPER				*		1	
6		40085788		SPOOL_REST				*		2	
7		40085789		SPOOL_REST_CUSHION				*		2	
8		40085790		SPOOL_PIN				*		2	
9		40085791		SPOOL_RETAINER				*		2	
10		40085792		SPOOL_REST_ROD_JOINT				*		1	
11		40085793		SPOOL_REST_ROD_RUBBER_CAP				*		1	
12		40085794		THREAD_GUIDE				*		2	
13		40085795		THREAD_GUIDE_BUSHING				*		2	
14		40096325		SPOOL_REST_ROD_NUT				*		1	
15		WP1612616SE		WASHER_16X30X2.6				*		2	
16		40085796		SPOOL_REST_ROD_- RUBBER_CUSHION				*		2	
17		40096326		SPOOL_REST_ARM_LOWER_SCREW				*		1	
18		NM6050001SE		NUT_M5				*		2	
19	R	40096327	SM4053001SE	SPOOL_REST_ARM_UPPER_SCREW				*		1	1.00
20		NM6050001SE		NUT_M5				*		2	
21		WS0510002KN		SPRING_WASHER_M5				*		2	
22		WP0531001SC		WASHER_M5				*		2	
23		SM4051405SE		SCREW_M5_L=14				*		2	
24		NM6050001SE		NUT_M5				*		2	
25		40106582		THREAD_GUIDE_4				*		1	
26		40106579		THREAD_GUIDE_ARM_BASE				*		1	
27	R	NM6040002SC	NM6040002SE	NUT_M4				*		4	1.00
28		SM4042501SC		SCREW_M4X0.7_L=25				*		1	
29		SM4041201SC		SCREW_M4_L=12				*		3	
30		40106580		THREAD_GUIDE_UNDER_BASE				*		1	
31		40106576		THREAD_GUIDE_ARM				*		1	

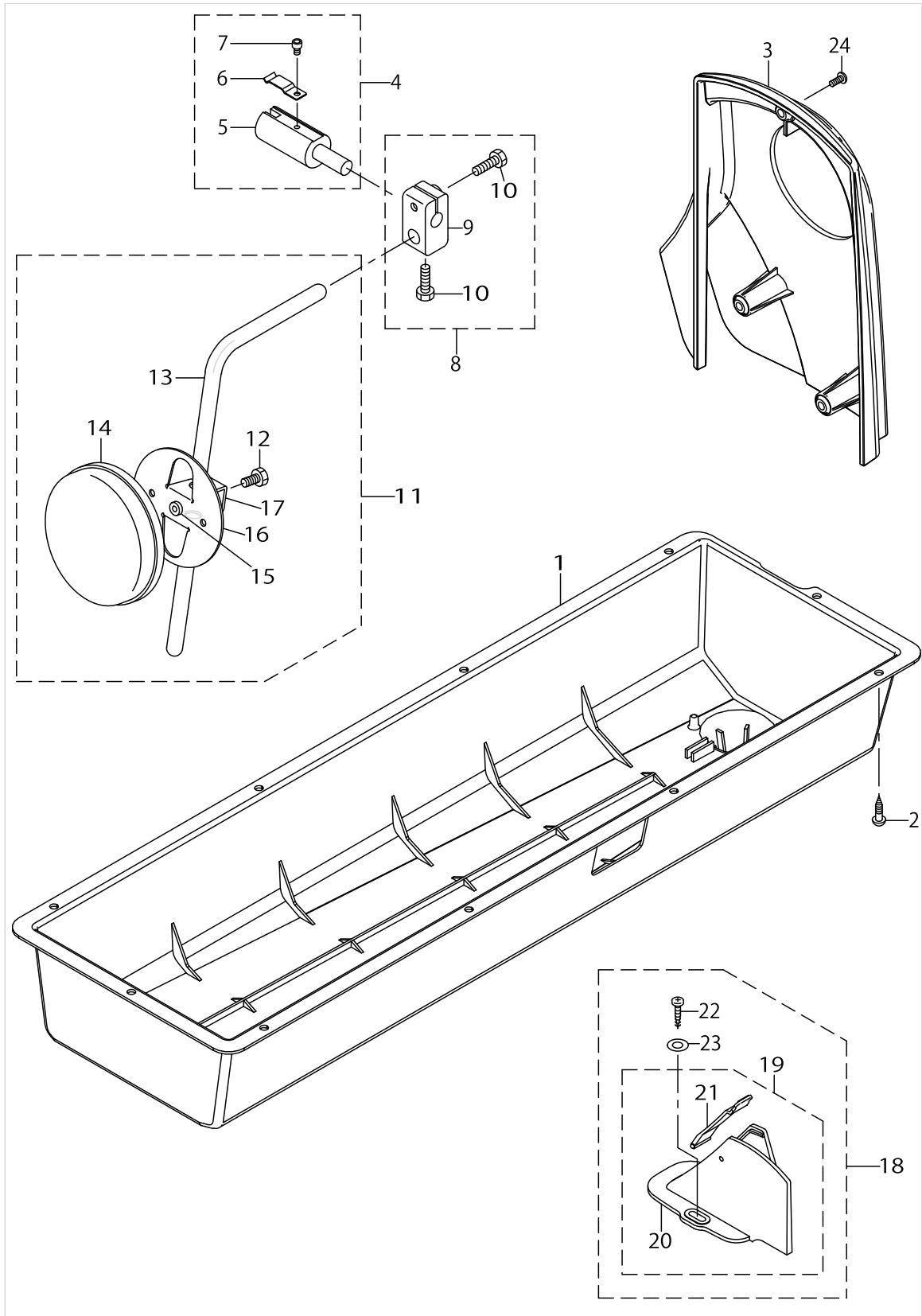
THREAD STAND COMPONENTS (FOR LU-2860,2860-7,2868-7)



THREAD STAND COMPONENTS (FOR LU-2860,2860-7,2868-7)

No.	Supply Code	Parts No.	Replacement	Parts name	Remarks	Choice	Step	Level	Cons	Qty	Rep. QTY
1		40106584		THREAD STAND PACKING						1	
2		40085787		SPOOL REST ARM UPPER				*		2	
3		40085795		THREAD GUIDE BUSHING				*		4	
4		40085794		THREAD GUIDE				*		4	
5		40085793		SPOOL REST ROD RUBBER CAP				*		1	
6		40085785		SPOOL REST ROD UPPER				*		1	
7		40085792		SPOOL REST ROD JOINT				*		1	
8		40106582		THREAD GUIDE 4				*		1	
9		40106580		THREAD GUIDE UNDER BASE				*		1	
10		40106576		THREAD GUIDE ARM				*		1	
11		40106579		THREAD GUIDE ARM BASE				*		1	
12		40085784		SPOOL REST ROD LOWER				*		1	
13		40085791		SPOOL RETAINER				*		4	
14		40085790		SPOOL PIN				*		4	
15		40085789		SPOOL REST CUSHION				*		4	
16		40085788		SPOOL REST				*		4	
17		40085786		SPOOL REST ARM LOWER				*		2	
18	R	40096327	SM4053001SE	SPOOL REST ARM UPPER SCREW				*		2	1.00
19		40096326		SPOOL REST ARM LOWER SCREW				*		2	
20		40085796		SPOOL REST ROD RUBBER CUSHION				*		2	
21		40096325		SPOOL REST ROD NUT				*		1	
22		SM4041201SC		SCREW M4 L=12				*		3	
23		SM4042501SC		SCREW M4X0.7 L=25				*		1	
24		SM4051405SE		SCREW M5 L=14				*		2	
25	R	NM6040002SC	NM6040002SE	NUT M4				*		4	1.00
26		NM6050001SE		NUT M5				*		10	
27		WP1612616SE		WASHER 16X30X2.6				*		2	
28		WP0531001SC		WASHER M5				*		4	
29		WS0510002KN		SPRING WASHER M5				*		4	

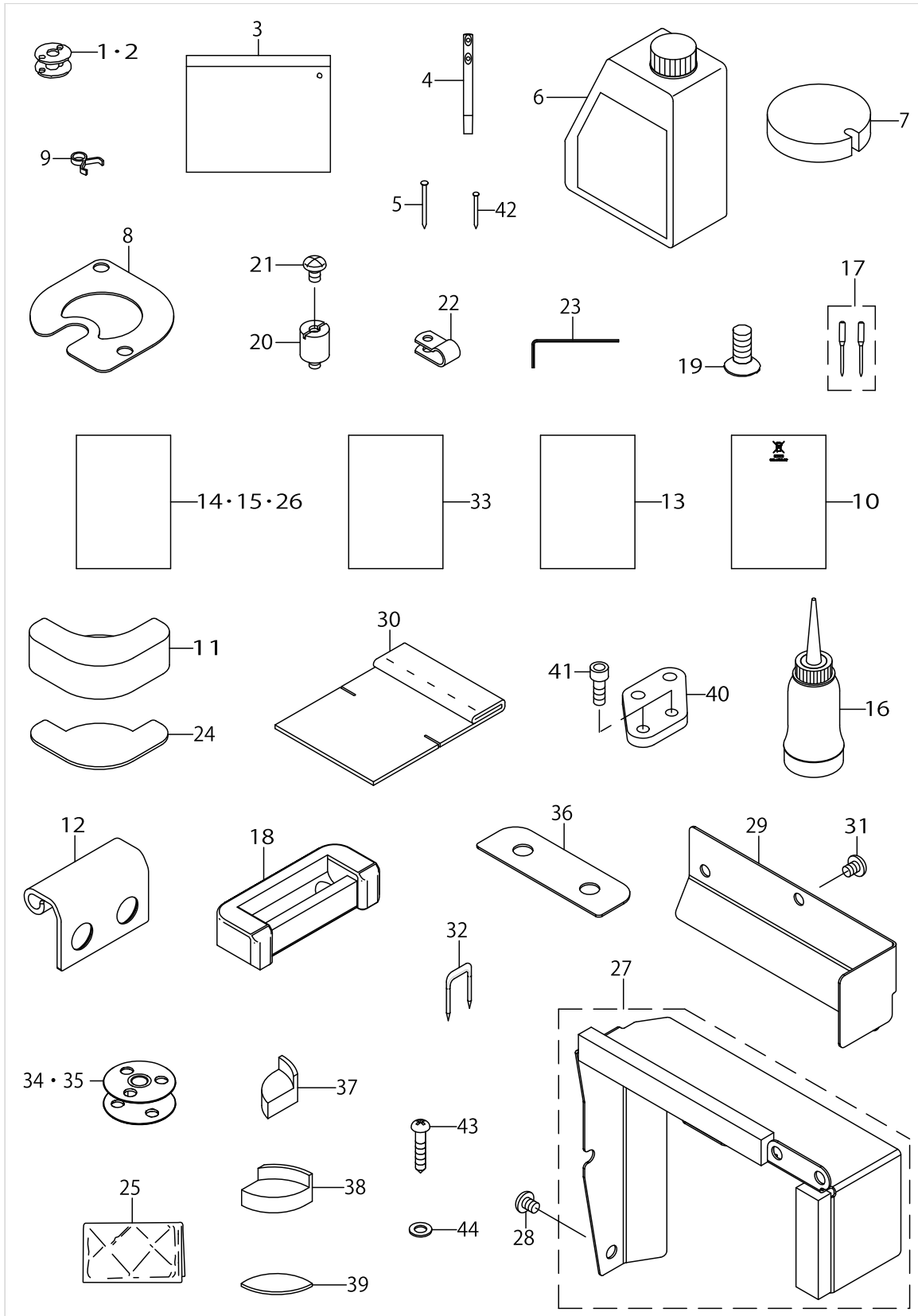
BOTTOM COVER & BELT COVER COMPONENTS



BOTTOM COVER & BELT COVER COMPONENTS

No.	Supply Code	Parts No.	Replacement	Parts name	Remarks	Choice	Step	Level	Cons	Qty	Rep. QTY
1		40126155		OIL_PAN						1	
2		SK3482001SE		WOOD SCREW D=4.8 L=20						10	
3		40126543		BELT_COVER	FOR LU-2810,2860					1	
4		40143069		KNEE LIFTER JOINT ASM.	FOR LU-2810,2860					1	
5		40143070		KNEE LIFTER JOINT				*		1	
6		40143071		PRESSER SPRING				*		1	
7		SM6040602TP		SCREW M4 L=6				*		1	
8		22932453		BRACKET ASM.	FOR LU-2810,2860					1	
9	R	22932404	22932453	BRACKET				*		1	1.00
10		22934707		SCREW				*		2	
11		21343157		KNEE PRESS PLATE ASM.	FOR LU-2810,2860					1	
12		SM9061203SE		SCREW M6 L=12				*		1	
13	R	21343108	21343157	KNEE PRESS LEVER				*		1	1.00
14		22934509		KNEE PAD PLATE COVER				*		1	
15		22934400		KNEE PAD PLATE RUBBER				*		1	
16		22934202		KNEE PAD PLATE				*		1	
17		22934301		KNEE PAD PLATE SUPPORT				*		1	
18		40126560		ASSY_BELT_COVER_B2	FOR LU-2810,2860					1	
19		40112296		BELT_COVER_B_COMPL.				*		1	
20		40112314		BELT_COVER_B				*		1	
21		40112313		BELT_COVER_B_LID_ASM.				*		1	
22	R	SK3412000SC	SK3412000SE	WOOD SCREW D=4.1 L=20				*		2	1.00
23		WP0501016SD		WASHER 5X10.5X1				*		2	
24		SM4051055SP		SCREW	FOR LU-2810,2860					3	

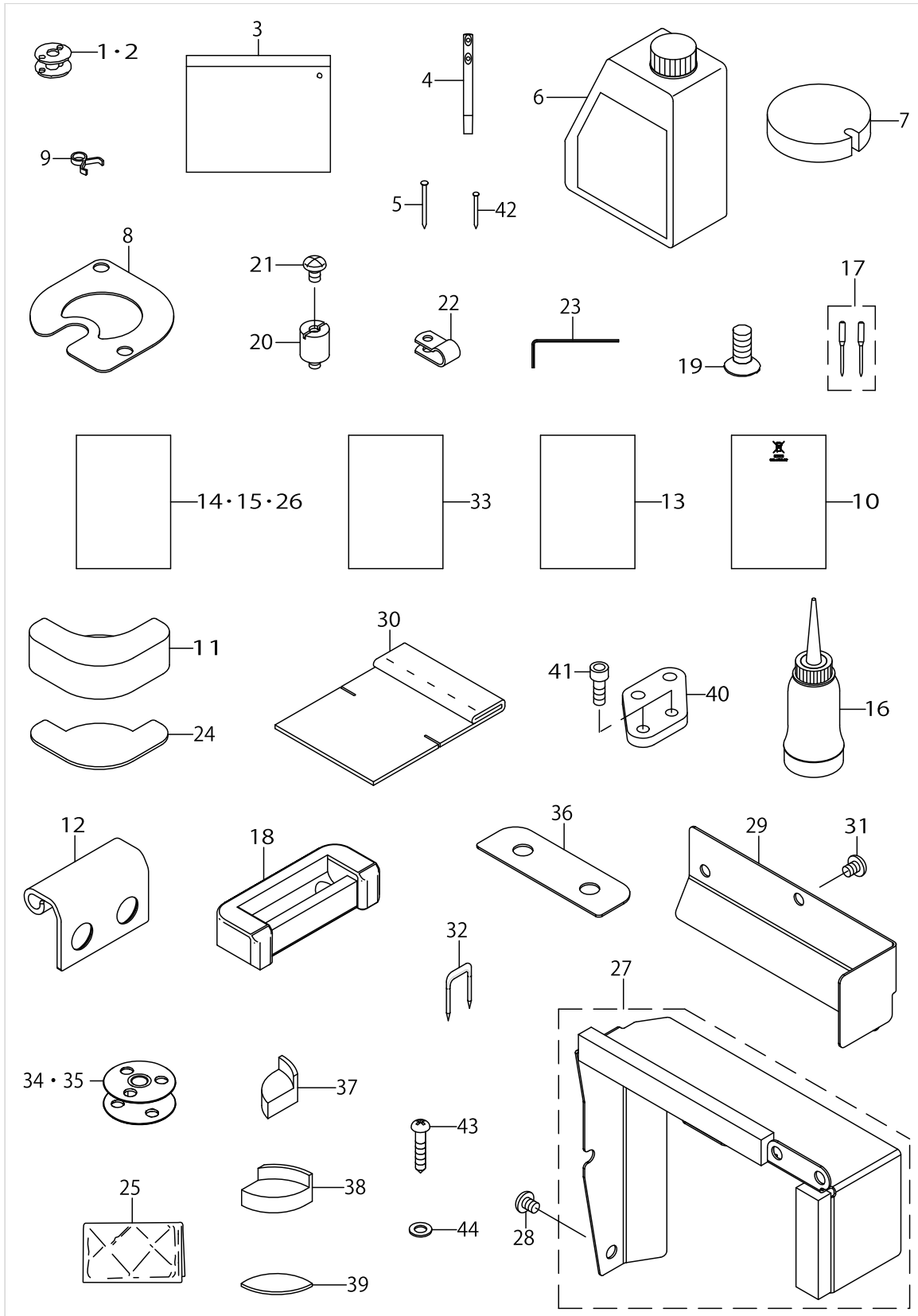
ACCESSORIES PARTS COMPONENTS



ACCESSORIES PARTS COMPONENTS

No.	Supply Code	Parts No.	Replacement	Parts name	Remarks	Choice	Step	Level	Cons	Qty	Rep. QTY
1		21334800		ALUMINUM BOBBIN WITH KNURL	FOR LU-2-810,2810-7				☆	1	
2		21334800		ALUMINUM BOBBIN WITH KNURL	FOR LU-2-860,2860-7				☆	2	
3		21413158		ACCESSORY BAG ASM.						1	
4		22958300		NEEDLE THREAD GUIDE PIN	FOR LU-2-860,2860-7,2868-7					1	
5		10539906		SET NAIL						6	
6	D R	40102087	MDFRX1600C0	JUKI_MACHINE_OIL_7						1	1.00
7		40126405		OIL_FILTER						1	
8		40126267		FELT HOLDER						1	
9		23629306		PIPE STOPPER A						2	
10		CM600100201		WEEE INFORMATION SHEET	FOR JE					1	
11		40151800		CUSHION_RUBBER						2	
12		40125869		HINGE						2	
13		40142430		DECLARATION OF INCORPORATION (LU2800)	FOR JE					1	
14		40151455		INSTRUCTION_MANUAL_1K	FOR CHINA					1	
15		40151456		INSTRUCTION_MANUAL_4K	EXCEPT CHINA					1	
16		B91210120A0		OILER ASM.						1	
17		M13517B1602		NEEDLE 135X17 #160-2					☆	1	
18		40164521		HINGE_RUBBER						2	
19		B1516210D00		SCREW						4	
20		40126222		CP_SPACER	FOR LU-2-810-7,2860-7 2818-7,2868-7					2	
21		SM4050855SP		SCREW	FOR LU-2-810-7,2860-7 2818-7,2868-7					2	
22		HX00150000B		CABLE CLIP	FOR LU-2-810-7,2860-7 2818-7,2868-7					2	
23		40079298		WRENCH						1	
24		10740900		RUBBER						8	
25		40048536		HEAD_COVER						1	
26		40151457		INSTRUCTION_MANUAL_9K	FOR JE					1	
27		40131916		OIL_SHIELD_PLATE_ASSY	FOR LU-2-810,2810-7,2818-7					1	
28		SM4050655SP		SCREW M5 L=6	FOR LU-2-810,2810-7,2818-7					4	
29		40131580		OIL_SHIELD_PLATE	FOR LU-2-860,2860-7,2868-7					1	
30		40133730		OIL_FILTER						1	
31		SM4050655SP		SCREW M5 L=6	FOR LU-2-860,2860-7,2868-7					2	
32		MAO11532000		CORD STAPLE	FOR LU-2-810-7,2860-7 2818-7,2868-7					3	
33		40151458		PARTS_LIST						1	
34		40147913		BOBBIN	FOR LU-2818-7				☆	1	
35		40147913		BOBBIN	FOR LU-2868-7				☆	2	
36		40163914		HINGE_SPACER						2	
37		40151803		RUBBER_CUSHION_LEFT						1	
38		40151804		RUBBER_CUSHION_RIGHT						1	
39		40151805		RUBBER_CUSHION_SHEET						4	

ACCESSORIES PARTS COMPONENTS






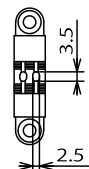
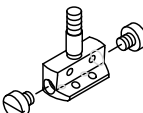
ACCESSORIES PARTS COMPONENTS

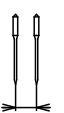
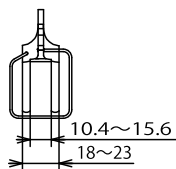
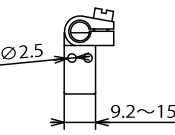
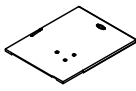
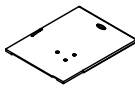
No.	Supply Code	Parts No.	Replacement	Parts name	Remarks	Choice	Step	Level	Cons	Qty	Rep. QTY
40		40112214		EDGE_GUIDE_FITTING_PLATE						1	
41		SM6051402TP		SCREW M5X0.8 L=14						2	
42	D	22926208		SET NAIL						2	
43		SK3452501SE		SCREW D=4.5 L=25						4	
44		WP0550800SP		WASHER 5.5X10X0.8						4	

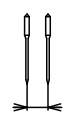


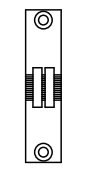
TABLE OF EXCHANGING GAUGE PARTS (FOR LU-2810,2810-7,2818-7)

Item 品名	Standard gauge 標準ゲージ				Europe gauge ヨーロッパゲージ					
	LU-2810S		LU-2810S-7		LU-2810A		LU-2810A-7		LU-2818A-7	
Throat plate 針板										
	Part No.	401-12212	Part No.	401-26349	Part No.	401-12211	Part No.	401-26350	Part No.	401-47949
Feed dog 送り歯										
	Part No.	401-33270			Part No.	401-33272			Part No.	401-25925
Working foot 送り足組										
	Part No.	401-43061			Part No.	107-11653			Part No.	107-12354
Presser foot 押し足組										
	Part No.	213-50152			Part No.	107-12552				
Slide plate (front) 正面滑り板										
		-			Part No.	401-47918				
Slide plate (left) 滑り板 左										
	Part No.	401-12224								
Slide plate (right) 滑り板 右										
	Part No.	401-42215	Part No.	401-12225	Part No.	401-42215	Part No.	401-12225	Part No.	401-47944

TABLE OF EXCHANGING GAUGE PARTS (FOR LU-2860,2860-7,2868-7)

Needle gauge size 針 幅			Throat plate 針 板		Feed dog 送 り 歯	Needle clamp asm. 針 留 め 組
			LU-2860S	LU-2860S-7	LU-2860S,LU-2860S-7	LU-2860S,LU-2860S-7
Code コード						
	inch	mm	Part No.	Part No.	Part No.	Part No.
D	3/16	4.8	401-27004	401-27023	401-26146	213-68154
F	1/4	6.4	401-27005	401-27024	401-26147	213-68253
H	5/16	7.9	401-27006	401-27025	401-26148	213-68352
K	3/8	9.5	401-27007	401-27026	401-26149	213-68451

Needle gauge size 針 幅			Presser foot asm. 押 え 足 組	Walking foot asm. 送 り 足 組	Slide plate 滑 り 板	
			LU-2860S,LU-2860S-7	LU-2860S,LU-2860S-7	LU-2860,LU-2860-7	LU-2868A-7
Code コード						
	inch	mm	Part No.	Part No.	Part No.	Part No.
D	3/16	4.8	213-67651	213-67156	401-27056	401-47945
F	1/4	6.4	213-67750	213-67255		
H	5/16	7.9	213-67859	213-67354		
K	3/8	9.5	213-67958	213-67453		

Needle gauge size 針 幅			Throat plate 針 板		Feed dog 送 り 歯
			LU-2860A	LU-2860A-7	LU-2868A-7
Code コード					
	mm		Part No.	Part No.	Part No.
B	6		401-26976	401-26986	401-47951
C	8		401-26977	401-26987	401-47952
D	10		401-26978	401-26988	401-47953
E	12		401-26979	401-26989	401-47954

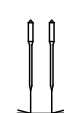
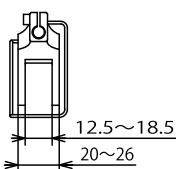
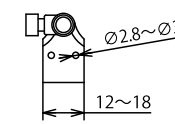

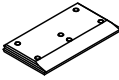






Needle gauge size 針 幅			Presser foot asm. 押 え 足 組	Walking foot asm. 送 り 足 組	Needle clamp asm. 針 留 め 組	Slide plate front 正面滑り板
			LU-2860A,LU-2860A-7 LU-2868A-7	LU-2860A,LU-2860A-7 LU-2868A-7	LU-2860A,LU-2860A-7 LU-2868A-7	LU-2860A,LU-2860A-7 LU-2868A-7
Code コード						
	mm		Part No.	Part No.	Part No.	Part No.
B	6		107-81656	401-35589	400-38778	401-47918
C	8		107-81755	401-35590	400-38776	
D	10		107-81854	400-38898	400-38774	
E	12		107-81953	400-95748	400-38772	







TABLE OF EXCHANGING GAUGE PARTS SET

• LU-2860S,2860S-7

							
GAUGE SET ゲージセット		THROAT PLATE S 針板(糸切りなし)	THROAT PLATE S7 針板(糸切り有り)	FEED DOG 送り歯	NEEDLE CLAMP ASM. 針留め(組)	PRESSER FOOT ASM. 押え足(組)	FEED FOOT ASM. 送り足(組)
Part No.	Name	Part No.	Part No.	Part No.	Part No.	Part No.	Part No.
401-50791	GAUGE SET 3/16(NTC)	401-27004		401-26146	213-68154	213-67651	213-67156
401-50803	GAUGE SET 3/16(TC)		401-27023				
401-50792	GAUGE SET 1/4(NTC)	401-27005		401-26147	213-68253	213-67750	213-67255
401-50804	GAUGE SET 1/4(TC)		401-27024				
401-50793	GAUGE SET 5/16(NTC)	401-27006		401-26148	213-68352	213-67859	213-67354
401-50805	GAUGE SET 5/16(TC)		401-27025				
401-50794	GAUGE SET 3/8(NTC)	401-27007		401-26149	213-68451	213-67958	213-67453
401-50806	GAUGE SET 3/8(TC)		401-27026				







A slide plate is not contained in the contents of composition of a gauge set.
ゲージセットの構成内容に滑り板は含まれません

• LU-2860A,2860A-7

							
GAUGE SET ゲージセット		THROAT PLATE A 針板(糸切りなし)	THROAT PLATE A7 針板(糸切り有り)	FEED DOG 送り歯	NEEDLE CLAMP ASM. 針留め(組)	PRESSER FOOT ASM. 押え足(組)	FEED FOOT ASM. 送り足(組)
Part No.	Name	Part No.	Part No.	Part No.	Part No.	Part No.	Part No.
401-50762	GAUGE SET 6MM(NTC)	401-26976		401-26142	400-38778	107-81656	401-35589
401-50777	GAUGE SET 6MM(TC)		401-26986				
401-50763	GAUGE SET 8MM(NTC)	401-26977		401-26143	400-38776	107-81755	401-35590
401-50778	GAUGE SET 8MM(TC)		401-26987				
401-50764	GAUGE SET 10MM(NTC)	401-26978		401-26144	400-38774	107-81854	400-38898
401-50779	GAUGE SET 10MM(TC)		401-26988				
401-50765	GAUGE SET 12MM(NTC)	401-26979		401-26145	400-38772	107-81953	400-95748
401-50780	GAUGE SET 12MM(TC)		401-26989				

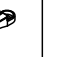


A slide plate is not contained in the contents of composition of a gauge set.
ゲージセットの構成内容に滑り板は含まれません

• LU-2868A-7

							
GAUGE SET ゲージセット		THROAT PLATE A 針板(糸切りなし)	THROAT PLATE A7 針板(糸切り有り)	FEED DOG 送り歯	NEEDLE CLAMP ASM. 針留め(組)	PRESSER FOOT ASM. 押え足(組)	FEED FOOT ASM. 送り足(組)
Part No.	Name	Part No.	Part No.	Part No.	Part No.	Part No.	Part No.
401-55973	GAUGE SET 6MM(P=12糸切り付き)	-	401-47951	401-26142	400-38778	107-81656	401-35589
401-55974	GAUGE SET 8MM(P=12糸切り付き)	-	401-47952	401-26143	400-38776	107-81755	401-35590
401-55975	GAUGE SET 10MM(P=12糸切り付き)	-	401-47953	401-26144	400-38774	107-81854	400-38898
401-55976	GAUGE SET 12MM(P=12糸切り付き)	-	401-47954	401-26145	400-38772	107-81953	400-95748

A slide plate is not contained in the contents of composition of a gauge set.
ゲージセットの構成内容に滑り板は含まれません

• LU-2868A-7

								
12MM to 9MM EXCHANGE GAGE SET 12mm→9mm交換ゲージセット		THROAT PLATE A 針板(糸切りなし)	THROAT PLATE A7 針板(糸切り有り)	FEED DOG 送り歯	NEEDLE CLAMP ASM. 針留め(組)	PRESSER FOOT ASM. 押え足(組)	FEED FOOT ASM. 送り足(組)	STOPPER PIN 送りダイヤラストッパーピン
Part No.	Name	Part No.	Part No.	Part No.	Part No.	Part No.	Part No.	Part No.
401-55979	GAUGE SET 6MM(P=9交換糸切り付き)	-	401-26986	401-26142	400-38778	107-81656	401-35589	
401-55980	GAUGE SET 8MM(P=9交換糸切り付き)	-	401-26987	401-26143	400-38776	107-81755	401-35590	
401-55981	GAUGE SET 10MM(P=9交換糸切り付き)	-	401-26988	401-26144	400-38774	107-81854	400-38898	
401-55982	GAUGE SET 12MM(P=9交換糸切り付き)	-	401-26989	401-26145	400-38772	107-81953	400-95748	PH-0400062-C0

A 12mm to 9mm exchange gauge set becomes the composition of the [9mm gauge set] + [sending dial stopper pin].
12mm→9mm交換ゲージセットは[9mmのゲージセット]+[送りダイヤラストッパーピン]の構成になります。

A slide plate is not contained in the contents of composition of a gauge set.
ゲージセットの構成内容に滑り板は含まれません

• LU-2818A-7

			
12MM to 9MM EXCHANGE GAGE SET 12mm→9mm交換ゲージセット		THROAT PLATE 針板	STOPPER PIN 送りダイヤラストッパーピン
Part No.	Name	Part No.	Part No.
401-56013	P=9交換糸切り付き	401-26350	PH-0400062-C0

A 12mm to 9mm exchange gauge set becomes the composition of the [9mm throat plate] + [sending dial stopper pin].
12mm→9mm交換ゲージセットは[9mm針板]+[送りダイヤラストッパーピン]の構成になります。

A slide plate is not contained in the contents of composition of a gauge set.
ゲージセットの構成内容に滑り板は含まれません

TABLE OF OPTIONAL GAUGE PARTS

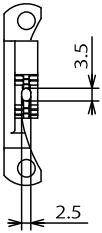
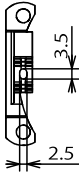
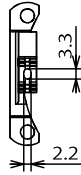
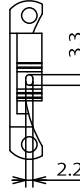
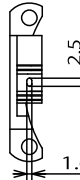
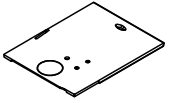
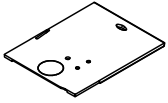
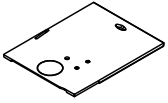
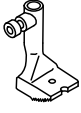
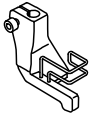


Item 品名	LU-2810S,S-7	LU-2810A,A-7	LU-2818A-7	LU-2868A-7
Feed dog 送り歯				
		Part No. 401-33273	Part No. 401-33272	
			Without groove. 溝なし	
		Part No. 107-17205		
			For fine yarn 細糸用	
Part No. 401-33271	Part No. 107-17304			
Item 品名	LU-2810S,S-7	LU-2810A,A-7	LU-2818A-7	LU-2868A-7
Slide plate (With a window) 滑り板 (窓付)				




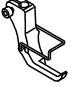



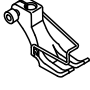


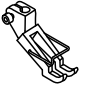

TABLE OF OPTIONAL GAUGE PARTS (FOR LU-2810S,2810S-7)

For piping パイピング用		
	Feed foot 送り足	Presser foot asm. 押え足 (組)
Size(mm)	Part No.	Part No.
Ø4.8mm(3/16)	B1478-245-000	B1530-245-0AD
Ø6.4mm(1/4)		B1530-245-0AF
Ø7.9mm(5/16)		B1530-245-0AH
Ø9.5mm(3/8)		B1530-245-0AK
Size(mm)	Part No.	Part No.
Ø4.8mm(3/16)	B1479-245-00D	B1531-245-0AD
Ø6.4mm(1/4)	B1479-245-00F	B1531-245-0AF
Ø7.9mm(5/16)	B1479-245-00H	B1531-245-0AH
Ø9.5mm(3/8)	-	-
Size(mm)	Part No.	Part No.
Ø4.8mm(3/16)	B1474-245-00D	B1527-245-0AD
Ø6.4mm(1/4)	B1474-245-00F	B1527-245-0AF
Ø7.9mm(5/16)	B1474-245-00H	B1527-245-0AH
Ø9.5mm(3/8)	B1474-245-00K	B1527-245-0AK

Right-edge presser 右片押え	
Feed foot 送り足	Presser foot asm. 押え足 (組)
Part No.	Part No.
B1476-245-00A	B1529-245-0AA
Left-edge presser 左片押え	
Part No.	Part No.
103-38309	B1525-563-SA0
Part No.	Part No.
B1470-245-000	B1524-245-0A0
For binding テープ付け用	
Part No. MAQ-09307000	
	Part No.
MAN-10452000	MAQ-093080A0

TABLE OF OPTIONAL GAUGE PARTS (FOR LU-2810A,2810A-7,2818A-7)

For piping パイピング用		
	Feed foot asm. 送り足 (組)	Presser foot asm. 押え足 (組)
		
Size(mm)	Part No.	Part No.
Ø3mm	107-45354	107-47350
Ø4mm	107-45453	107-47459
Ø5mm	107-45552	107-47558
Ø6mm	107-45651	107-47657
	Adjustment type 調整式	
		
Size(mm)	Part No.	Part No.
Ø3mm	107-46352	107-47350
Ø4mm	107-46451	107-47459
Ø5mm	107-46550	107-47558
Ø6mm	107-46659	107-47657

Right-edge presser 右片押え	
Feed foot asm. 送り足 (組)	Presser foot asm. 押え足 (組)
	
Part No. 107-11851	Part No. 107-12859
Left-edge presser 左片押え	
	
Part No. 107-11950	Part No. 107-12958
Wide type 幅広タイプ	
	
Part No. 107-12057	Part No. 107-13055
Control area smallness 押え面積小	
	
Part No. 107-11653	
	
Part No. 107-12354	Part No. 107-58456
For overlapped sections of material 段部用	
	
Part No. 107-11653	
	
Part No. 107-12354	Part No. 107-12651


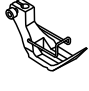


For urethane ウレタン用	
Feed foot asm. 送り足 (組)	Presser foot asm. 押え足 (組)
For light-weight urethane 薄いウレタン用 	
Part No. 107-11653	
For light-weight urethane 薄いウレタン用 	
Part No. 107-12354	
For heavy-weight urethane 厚いウレタン用 	
Part No. 107-11752	
Part No. 107-12750	

TABLE OF OPTIONAL GAUGE PARTS (FOR LU-2860S,2860S-7)


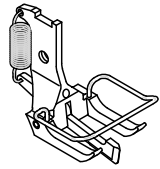

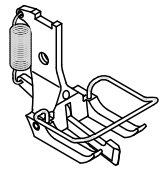

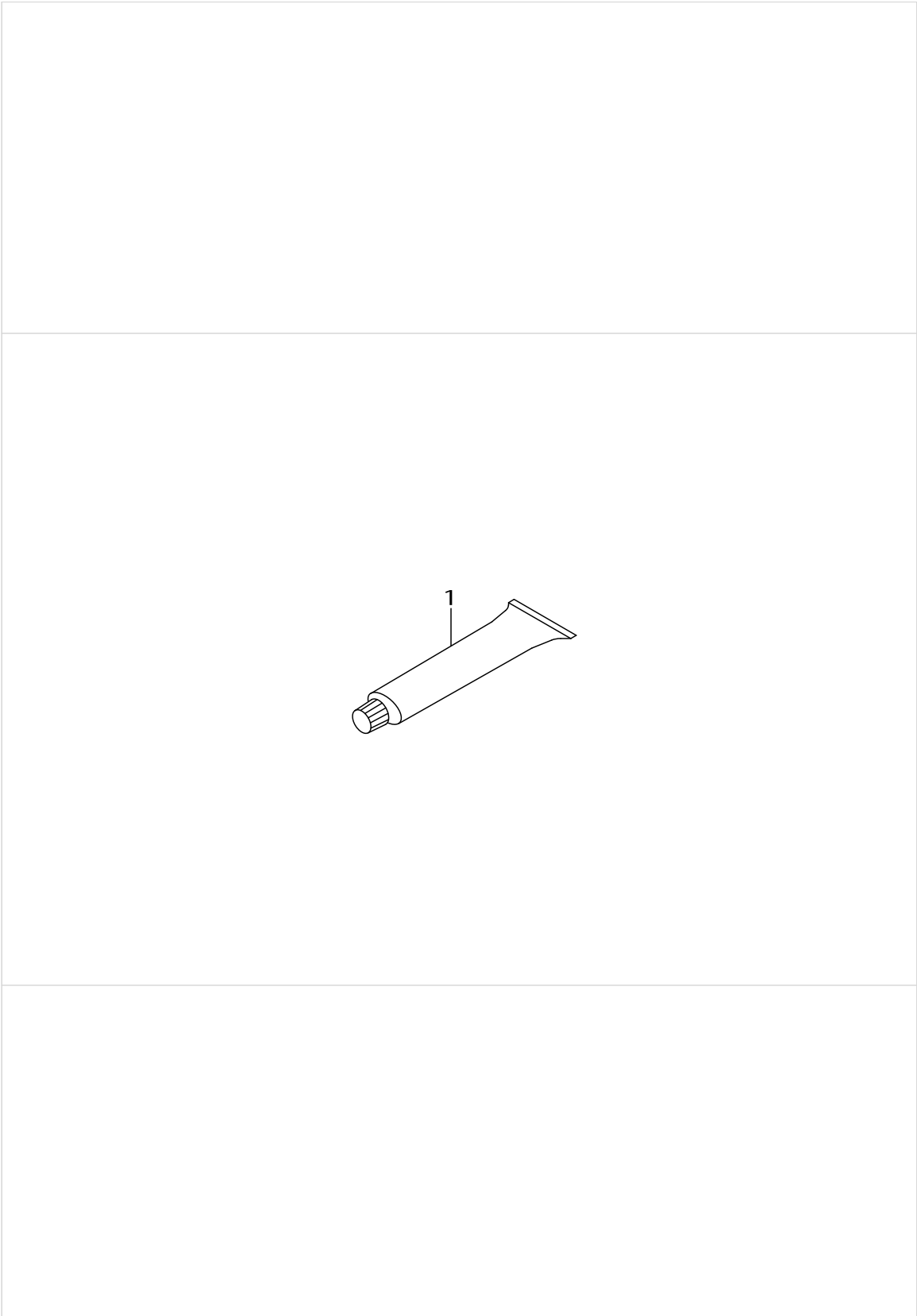
For center guide センターガイド用		
	Feed foot asm. 送り足 (組)	Presser foot asm. 押え足 (組)
		
Size(mm)	Part No.	Part No.
5/16	213-72552	213-74657
3/8	213-72651	213-74756
	 Slit スリット入り	
Size(mm)	Part No.	Part No.
5/16	213-73758	213-74657
3/8	213-73857	213-74756

TABLE OF OPTIONAL GAUGE PARTS (FOR LU-2860A,2860A-7,2868A-7)

For center guide センターガイド用		
	Feed foot asm. 送り足 (組)	Presser foot asm. 押え足 (組)
		
Size(mm)	Part No.	Part No.
10mm	400-39271	400-38806
12mm	400-95750	400-38802

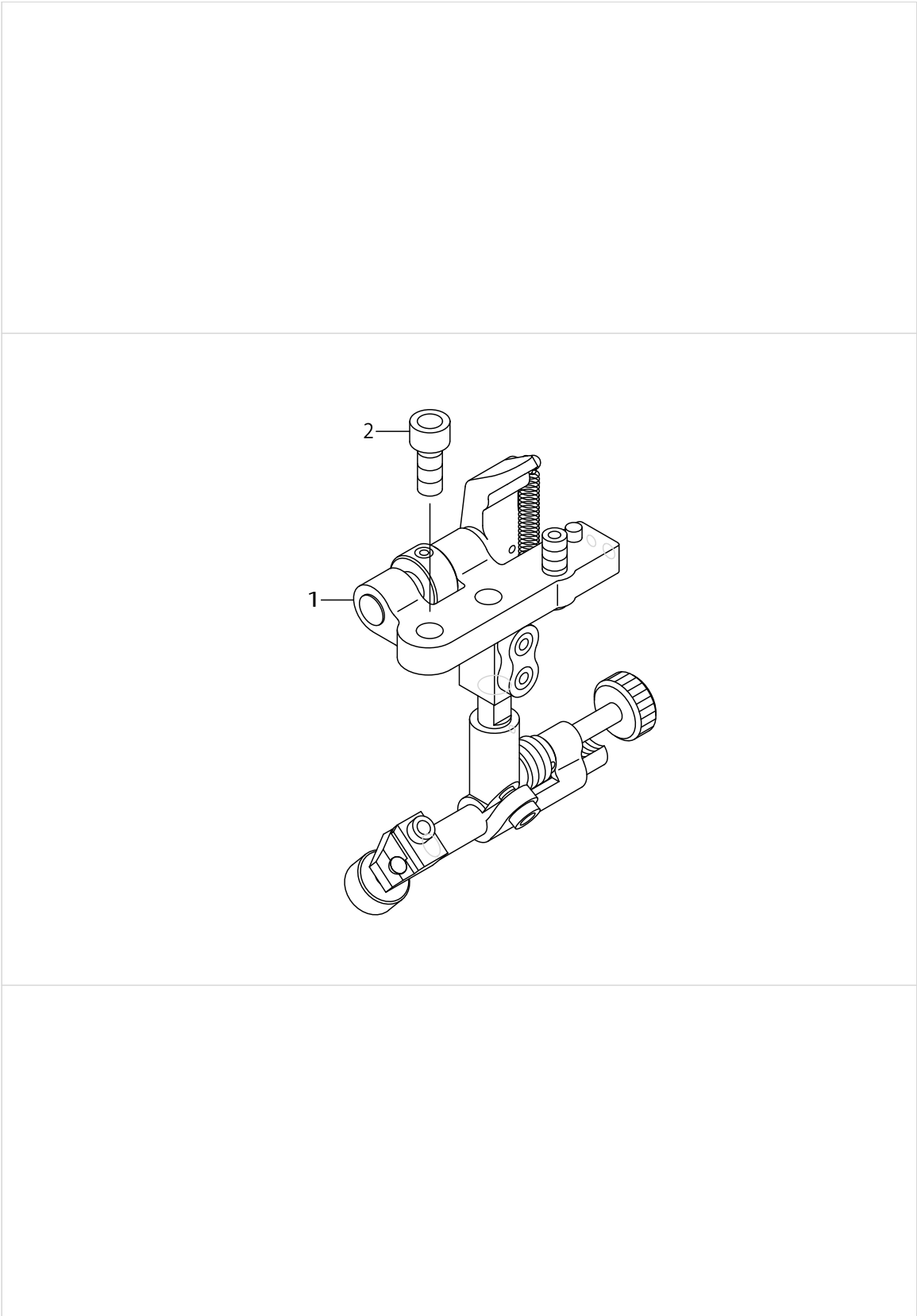
GREASE COMPONENTS (OPTIONAL PARTS)



GREASE COMPONENTS (OPTIONAL PARTS)

No.	Supply Code	Parts No.	Replacement	Parts name	Remarks	Choice	Step	Level	Cons	Qty	Rep. QTY
1		40006323		JUKI GREASE A TUBE						1	

SUSPENSION SQUARE COMPONENTS (OPTIONAL PARTS)



SUSPENSION SQUARE COMPONENTS (OPTIONAL PARTS)

No.	Supply Code	Parts No.	Replacement	Parts name	Remarks	Choice	Step	Level	Cons	Qty	Rep. QTY
1		MAH152010A0		RULER						1	
2		SM6061402TP		SCREW M6 L=14						2	

LIST FOR INFORMATION OF CHANGE (1)

As to the place changed, refer to the corresponding Rev.No.
 When previous parts(Obsoleted part)and new parts(Added parts)are
 not interchangeable with each other:
 In this case,even obsoleted parts(D.)can be ordered with the
 obsoleted part number,so select the parts with changed dates and
 place your orders.

変更箇所は、該当Rev.No.版をご参照ください。
 部品の互換性がない変更の場合は、削除された品番でも、ご注文できます。

40151458
 No.1665-02 Rev.No.

*A:Added parts追加部品/D:Obsoleted parts削除部品/E:Erratum訂正

* Rev. No.	Page 頁	Ref. No.	Parts No. 品番	* Rev. No.	Page 頁	Ref. No.	Parts No. 品番
D 01	8	4	400-55253	A 02	8	4	401-52295
D 01	8	5	400-55253	A 02	8	5	401-52295
				A 02	12	68	401-42204
				A 02	12	69	401-42203
D 01	14	7	401-23665	A 02	14	7	401-76628
D 01	14	23	401-35014	A 02	14	23	401-71574
				A 02	18	78	401-54832
				A 02	18	79	401-54833
				A 02	18	80	SM-6062502-TP
D 01	20	8	401-22887	A 02	20	8	401-78899
D 01	20	9	229-12109	A 02	20	9	180-53900
D 01	20	21	401-42199	A 02	20	21	401-67733
D 01	20	23	107-21306	A 02	20	23	400-11327
D 01	20	72	WP-1751616-SD				
D 01	20	73	235-34506				
D 01	20	74	400-90101				
D 01	24	8	401-12151	A 02	24	8	401-71514
D 01	30	19	401-12278	A 02	30	19	401-36650
D 01	30	38	401-12251	A 02	30	38	401-37921
D 01	32	8	401-12151	A 02	32	8	401-71514
D 01	34	5	401-26373	A 02	34	5	401-55956
D 01	34	18	225-28806	A 02	34	29	401-55994
D 01	34	21	225-29408	A 02	34	32	401-55960
				A 02	34	6	401-61459
				A 02	34	28	401-55958
				A 02	34	35	SS-4110815-SP
				A 02	34	36	NS-6110310-SP
D 01	36	1	401-26556	A 02	36	1	401-55957
D 01	36	4	110-72402	A 02	36	35	229-45703
D 01	36	5	110-93606	A 02	36	36	229-63409
D 01	36	8	225-28806	A 02	36	37	401-55994
D 01	36	9	225-29408	A 02	36	38	401-55960
D 01	36	10	225-29515	A 02	36	39	401-55995
D 01	36	32	B3214-047-000	A 02	36	40	229-45802
				A 02	36	2	401-61460
				A 02	36	34	401-55959

NUMERICAL INDEX OF PARTS

PART NO	PAGE	REF NO.	PART NO	PAGE	REF NO.	PART NO	PAGE	REF NO.
10308609	12	47~49	21334800	26	43·44	22911804	54	61
10320109	76	25	21334800	28	43·44	22912000	48	42
10539906	104	5	21334800	104	1·2	22912109	48	43
10546901	8	37	21338405	10	10~14	22912257	76	1
10697506	76	14	21338504	12	47~49	22912257	80	47
10697506	78	4	21343108	102	13	22913008	34	75
10697605	78	3	21343157	102	11	22913008	42	5
10710804	32	3	21350152	34	74	22917009	68	1·2
10715704	52	62	21368154	12	50	22921308	86	32
10715704	54	62	21387600	16	52	22921407	86	31
10721504	8	39	21387709	16	53	22921506	76	22
10740900	104	24	21387808	16	54	22921506	78	25
11015906	90	69	21387907	16	55	22921506	86	28
11015906	94	63	21389309	70	69·70	22921704	86	29
12210803	90	74	21389408	68	24~27	22923908	94	49
12210803	94	86	21413158	104	3	22926208	106	42
12288908	44	70·76	21451406	10	10~14	22932107	40	11
12938304	76	17	22528509	76	40	22932156	40	10
12938304	78	7	22528509	78	45	22932404	102	9
13142609	88	66	22606206	12	32~39	22932453	102	8
13142609	90	66	22606305	12	32~39	22934202	102	16
13142609	92	48	22606404	12	32~39	22934301	102	17
13142609	94	48	22607600	12	32~39	22934400	102	15
13409107	38	10	22607709	12	32~39	22934509	102	14
13424502	48	70	22607808	12	32~39	22934707	102	10
13424502	52	31	22607907	12	32~39	22935308	88	12·26
13518501	46	6	22617609	78	11	22935308	92	8·26
13718507	86	16	22617708	78	12	22945703	76	30
13765607	88	13	22617807	76	16	22945703	78	35
13765607	94	52	22617807	78	13	22945802	76	33
13817408	76	18	22618201	76	7	22945802	78	40
13817408	78	6	22618201	78	14	22949101	38	17
13860408	84	18	22618300	78	15	22951552	2	26
13951009	38	22	22618706	76	24	22954309	76	2
18035006	48	67·68	22618706	78	16	22954309	80	49
18035006	54	85·86	22618805	78	17	22956205	68	3·4
18035105	48	67·68	22618904	78	18	22957104	68	5·6
18035105	54	85·86	22901805	2	6	22957203	68	7·8
18035303	38	13	22902506	2	16	22958300	104	4
18035501	58	6	22904106	42	35	22963409	76	31
18035709	60	23	22904155	34	52	22963409	78	36
18035709	74	19	22904155	42	34	23600505	2	28·55
18035907	62	12	22911804	46	41	23605207	6	46
18053900	46	9	22911804	48	41	23605207	8	46
21333901	16	66	22911804	52	61	23613409	46	24

NUMERICAL INDEX OF PARTS

PART NO	PAGE	REF NO.	PART NO	PAGE	REF NO.	PART NO	PAGE	REF NO.
23613409	52	23	26260406	86	4	40075548	26	64
23628357	88	23	26260505	86	6	40075548	28	64
23628357	92	23	26260802	86	8	40077931	48	58
23629306	104	9	26261008	86	9	40077931	54	74
23629405	88	86	26261503	86	11	40079298	104	23
23629405	90	86	32055501	82	6	40079896	26	26
23629405	92	99	40006323	116	1	40079898	26	51
23629405	96	99	40006716	38	2	40079898	28	51
23630007	46	17	40010298	22	18	40079899	26	52
23630007	52	13	40010437	6	22	40079899	28	52
23630007	88	76	40010438	6	23	40079900	26	53
23630007	90	76	40010439	6	24	40079900	28	53
23630007	92	88	40010440	6	25	40079901	26	31
23630007	94	88	40010533	8	42	40079902	26	55
23630106	88	11·83	40010534	8	43	40079902	28	55
23630106	90	11·83	40010535	8	44	40079903	26	56
23630106	92	7·96	40010709	10	1	40079903	28	56
23630106	94	7·96	40011327	46	23	40079904	26	34
23630106	96	7·96	40011902	6	31	40079905	26	35
23630403	88	28	40013595	88	36	40079909	26	60
23630403	92	28	40013595	92	36	40079909	28	60
23630502	88	29	40023627	32	21	40079912	26	65
23630502	92	29	40026457	8	48	40079912	28	65
23630601	88	31	40028116	8	9·52	40082078	40	17
23630601	92	31	40028294	88	21	40084142	2	30
23630650	88	27	40028294	92	9	40085784	98	2
23630650	92	27	40032804	88	34	40085784	100	12
23631708	60	27	40032804	92	45	40085785	98	3
23631708	62	16	40033825	46	26	40085785	100	6
23631807	60	28	40033825	52	24	40085786	98	4
23631807	62	17	40034674	2	10	40085786	100	17
23631906	60	29	40034675	2	9	40085787	98	5
23631906	62	18	40036167	88	24	40085787	100	2
23632102	60	25	40036167	92	24	40085788	98	6
23632102	62	14	40038494	34	35	40085788	100	16
23638406	66	2	40038494	42	33·77	40085789	98	7
23639503	40	23	40038778	12	52	40085789	100	15
26017400	44	71	40042716	2	11	40085790	98	8
26018705	44	62	40048536	104	25	40085790	100	14
26229302	46	28	40052254	62	4	40085791	98	9
26229302	54	53	40069741	88	17	40085791	100	13
26231902	70	64	40075542	26	59	40085792	98	10
26231902	94	54	40075542	28	59	40085792	100	7
26260109	86	2	40075547	26	63	40085793	98	11
26260307	86	3	40075547	28	63	40085793	100	5

NUMERICAL INDEX OF PARTS

PART NO	PAGE	REF NO.	PART NO	PAGE	REF NO.	PART NO	PAGE	REF NO.
40085794	98	12	40106582	98	25	40112219	78	21
40085794	100	4	40106582	100	8	40112224	4	49
40085795	98	13	40106584	100	1	40112225	4	50
40085795	100	3	40112087	6	1·19	40112228	60	9
40085796	98	16	40112088	6	1·19	40112228	74	9
40085796	100	20	40112091	6	27	40112230	68	13~16
40086018	38	24	40112092	6	28	40112232	68	28·29
40086679	82	15	40112093	6	29	40112233	70	73·74
40088958	86	27	40112094	6	30	40112233	72	73·74
40088959	86	30	40112098	42	11	40112234	70	71·72
40090058	32	17	40112106	6	5	40112235	68	17·18
40094561	4	42	40112118	42	18	40112240	16	49
40096325	98	14	40112127	40	9	40112242	16	38·39
40096325	100	21	40112127	46	11	40112246	88	15
40096326	98	17	40112127	54	49	40112246	94	53
40096326	100	19	40112128	46	12·13	40112252	22	31·36
40096327	98	19	40112136	60	1	40112253	14	3
40096327	100	18	40112137	60	2	40112267	48	55
40101713	90	47	40112137	74	2	40112270	10	27
40101713	92	16	40112138	60	3	40112271	12	28·29
40101714	90	53	40112138	74	3	40112272	12	28·29
40101714	92	22	40112140	60	5	40112273	10	21~23
40101715	88	43	40112140	74	5	40112274	6	10
40101715	92	12	40112149	60	6	40112277	4	45
40101716	88	44	40112149	74	6	40112281	46	14
40101716	92	13	40112150	60	7	40112282	46	15·16
40101717	88	45	40112152	10	19	40112285	82	11
40101717	92	14	40112176	32	4	40112288	60	24
40101719	88	41	40112184	38	3	40112288	62	13
40101719	92	10	40112187	38	14	40112293	42	30
40101721	88	40	40112188	38	15	40112296	102	19
40101721	92	40	40112191	58	7	40112299	6	20
40102087	104	6	40112192	58	11	40112312	6	3
40102249	88	42	40112197	34	47	40112313	102	21
40102249	92	11	40112199	34	48	40112314	102	20
40102261	2	4	40112204	76	9	40112318	88	14
40105508	64	1	40112204	78	19	40112318	94	81
40105509	64	4	40112213	60	26	40112320	88	1
40105510	64	2	40112213	62	15	40112320	92	1
40106576	98	31	40112214	106	40	40113224	16	61
40106576	100	10	40112215	64	3	40116455	90	48
40106579	98	26	40112216	64	5	40116455	92	17
40106579	100	11	40112218	76	10	40116456	90	49
40106580	98	30	40112218	78	20	40116456	92	18
40106580	100	9	40112219	76	11	40116457	90	50

NUMERICAL INDEX OF PARTS

PART NO	PAGE	REF NO.	PART NO	PAGE	REF NO.	PART NO	PAGE	REF NO.
40116457	92	19	40125858	54	64	40126158	34	70
40116458	90	51	40125859	22	16	40126159	34	68
40116458	92	20	40125860	32	15·16	40126160	32	31
40116459	90	52	40125861	32	15·16	40126161	42	7
40116459	92	21	40125862	16	56	40126166	32	12
40123247	16	46	40125864	46	22	40126221	2	32
40123248	72	75·76	40125867	32	22	40126222	104	20
40123252	42	29	40125868	36	86	40126223	34	34
40123262	32	28	40125869	104	12	40126244	6	8·26
40123319	32	27	40125872	60	4	40126259	66	4
40123320	32	29	40125872	74	4	40126260	66	1
40123321	32	30	40125873	76	4	40126263	82	3
40123332	42	27	40125873	80	51	40126264	34	37
40123340	14	11·12	40125876	34	71	40126265	76	3
40123345	34	72	40125877	36	85	40126265	80	50
40123345	44	67	40125879	68	9~12	40126267	104	8
40123346	44	68·75	40125919	46	3	40126269	34	36
40123414	34	39	40125920	48	39	40126270	40	1
40123416	34	38	40125926	34	46	40126271	40	2
40123428	18	85	40125927	86	13	40126272	40	6
40123547	42	16	40125928	86	24	40126273	40	7
40123555	34	40	40125929	88	35	40126274	40	8
40123626	42	14	40125929	92	35	40126311	86	14
40123627	42	24	40125930	6	32	40126321	6	9·52
40123628	46	19	40125934	46	2	40126338	32	33
40123629	42	17·73	40125935	44	65	40126339	42	28
40123634	32	20	40125936	32	10·11	40126349	4	38
40123634	42	19	40125937	32	10·11	40126351	22	33
40123639	42	26	40125939	8	35·36	40126354	86	10
40123666	42	1	40125943	32	18	40126355	86	1
40123667	42	4	40125948	82	2	40126356	40	3
40123668	42	23	40125949	82	4	40126357	42	12
40125843	42	13	40125950	6	6	40126359	44	66
40125844	86	25	40126116	46	20	40126360	22	15
40125845	14	1·2	40126116	52	15	40126361	22	7
40125846	14	1·2	40126127	84	11	40126362	46	12·13
40125847	18	80·81	40126128	84	4·16	40126363	46	1
40125848	18	80·81	40126129	60	31	40126363	52	1
40125850	34	50	40126129	62	20	40126364	38	6
40125851	86	7	40126130	70	66	40126365	16	42
40125852	32	8	40126131	66	5	40126366	16	57
40125854	32	9	40126150	38	4	40126367	38	1
40125856	42	22	40126151	42	15	40126372	14	37
40125857	42	25	40126155	102	1	40126374	34	45
40125858	48	44	40126157	34	69	40126375	42	21

NUMERICAL INDEX OF PARTS

PART NO	PAGE	REF NO.	PART NO	PAGE	REF NO.	PART NO	PAGE	REF NO.
40126381	14	6·7	40129985	54	65	40134959	46	30
40126382	18	78·79	40129986	52	2	40134959	52	35
40126386	42	6	40129988	52	4	40135472	22	19·34
40126390	32	32	40129991	54	50	40135473	22	9·38
40126391	22	12·13	40129995	4	24·56	40135473	24	9·38
40126399	26	22·23	40129999	54	67	40135474	14	11·12
40126400	34	49	40130001	52	17	40135475	22	17·37
40126401	42	10	40130003	52	70	40135475	24	17·37
40126402	10	5~9	40130003	54	70	40135500	22	8
40126403	10	5~9	40130004	52	69	40135504	18	90
40126404	76	12	40130004	54	69	40135505	18	88
40126405	104	7	40130005	52	71	40136296	10	15~17
40126454	18	84	40130005	54	71	40136650	68	19·67
40126455	18	82	40130006	52	88	40137431	22	6
40126543	102	3	40130006	54	88	40137553	44	17·73
40126545	84	5·15	40130277	6	4	40137554	44	68·75
40126546	70	19·67	40130283	84	5·15	40137612	54	93
40126547	22	12·13	40130284	84	4·16	40137612	56	93
40126549	86	23	40130412	52	39	40137613	52	14
40126550	86	12	40130702	6	2	40137779	44	70·76
40126555	46	15·16	40130703	2	24·56	40137780	44	33·77
40126557	78	22	40130704	2	15	40137780	52	36
40126560	102	18	40130705	2	1	40137921	68	38·39
40126561	46	5	40130706	2	21·54	40137921	70	38·39
40126562	82	14	40130819	54	87			68~
40126563	82	13	40130820	52	89	40138418	18	77·91~ 108
40126582	90	82	40130820	54	89			68~
40126582	94	95	40131580	104	29	40138418	20	77·91~ 108
40126582	96	95	40131887	46	4			68~
40126594	86	5	40131887	52	46	40138419	18	77·91~ 108
40126642	48	46	40131916	104	27			68~
40126642	54	66	40131956	26	1·2			68~
40126643	48	47	40132118	52	78	40138419	20	77·91~ 108
40126643	54	68	40132118	54	78			68~
40126724	76	13	40132434	68	20~23	40138420	18	77·91~ 108
40126724	78	23	40133612	74	1			68~
40127041	10	20	40133655	74	7	40138420	20	77·91~ 108
40127042	10	5~9	40133730	104	30			68~
40127049	6	33·34	40133826	52	38	40138421	18	77·91~ 108
40127051	10	5~9	40134105	52	12			68~
40127052	10	10~14	40134528	52	5	40138421	20	77·91~ 108
40127054	10	5~9	40134532	8	35·36			68~
40127056	4	51	40134545	8	33·34	40138421	20	77·91~ 108
40127345	18	89	40134805	4	53			68~
40129984	52	3	40134834	4	28·55	40138422	18	77·91~ 108

NUMERICAL INDEX OF PARTS

PART NO	PAGE	REF NO.	PART NO	PAGE	REF NO.	PART NO	PAGE	REF NO.
		68~	40144288	32	1·2	40149121	36	91~94
40138422	20	77·91~	40144289	32	1·2	40149122	36	91~94
		108	40145548	34	42~44	40149123	36	91~94
40138423	18	77·91~	40145549	34	42~44	40149125	36	95~98
		108	40145550	34	42~44	40149126	36	95~98
40138423	20	77·91~	40147913	28	66·67	40149127	36	95~98
		108	40147913	104	34·35	40149128	36	95~98
40139042	18	35·87	40147915	22	1·2	40150131	4	44
40139043	14	35·87	40147918	4	47	40151455	104	14·15·26
40139345	82	1	40147919	4	57	40151456	104	14·15·26
40142200	48	49	40147940	68	20~23	40151457	104	14·15·26
40142201	48	51	40147941	68	13~16	40151458	104	33
40142203	28	68·69	40147942	68	9~12	40151488	6	8·26
40142204	28	68·69	40147943	68	24~27	40151791	86	15
40142208	60	10	40147946	62	1	40151799	4	58
40142208	74	10	40147947	62	2	40151800	104	11
40142213	98	1	40147948	62	3	40151803	104	37
40142430	104	13	40147956	90	78	40151804	104	38
40143069	102	4	40147956	94	91	40151805	104	39
40143070	102	5	40147985	28	45·46	40152022	86	35
40143071	102	6	40148031	26	24	40152295	14	5
40143082	14	20	40148032	26	25	40152451	10	2
40143083	6	11	40148033	26	27	40154199	32	19
40143084	14	17	40148034	26	28	40154226	10	15~17
40143085	44	51	40148035	26	29	40154227	10	15~17
40143086	14	40·41	40148036	26	30	40154832	44	78
40143086	16	40·41	40148037	26	61	40154833	44	79
40143087	44	50	40148037	28	61			77~
40143088	6	16	40148038	26	39	40155295	72	86·98·~ 101
		68~	40148039	26	3			77~
40143185	20	77·91~	40148040	26	4	40155296	72	86·98·~ 101
		108	40148283	4	21·54			77~
40143188	20	77·91~	40149030	28	47	40155297	72	86·98·~ 101
		108	40149032	28	49			77~
40143220	10	10~14	40149033	28	50	40155298	72	86·98·~ 101
40143221	12	47~49	40149034	28	54			77~
40143553	84	14	40149035	28	57	40155299	72	86·98·~ 101
		68~	40149036	28	58			77~
40143581	20	77·91~	40149037	28	62	40155301	72	96·102 ~105
		108	40149038	28	48			87~
40143624	48	69	40149115	36	87~90	40155302	72	96·102 ~105
40143624	52	32	40149116	36	87~90			87~
40143626	42	2	40149117	36	87~90			87~
40144283	38	5	40149118	36	87~90			87~
40144286	32	5·6	40149120	36	91~94			87~
40144287	32	5·6						87~

NUMERICAL INDEX OF PARTS

PART NO	PAGE	REF NO.	PART NO	PAGE	REF NO.	PART NO	PAGE	REF NO.
		87~	40169439	30	85			68~
40155303	72	96·102 ~105	40169440	30	80·81	B255728000A	16	77·91~ 108
		87~	40169441	30	78·79			68~
40155304	72	96·102 ~105	40169442	30	86	B255728000A	18	77·91~ 108
		87~	40169443	30	93			68~
40155305	72	96·102 ~105	40169445	30	89	B255728000B	16	77·91~ 108
		87~	40169446	30	87			68~
40155370	90	79	40169447	30	91			68~
40155370	96	92	40169448	30	92	B255728000B	18	77·91~ 108
40155371	90	80	40169449	30	90			68~
40155371	96	93	40169450	30	88	B255728000C	16	77·91~ 108
40155440	90	81	40169451	28	70·71			68~
40155440	96	94	40169452	28	72·73	B255728000C	18	77·91~ 108
40155956	76	5	40169453	28	76·77			68~
40155957	78	1	40169454	30	80·81			68~
40155958	76	28	40169455	30	78·79	B255728000D	16	77·91~ 108
40155959	78	34	40171514	60	8			68~
40155960	76	32	40171514	74	8	B255728000D	18	77·91~ 108
40155960	78	38	40171574	32	23			68~
40155994	76	29	40176628	32	7			68~
40155994	78	37	40178899	46	8	B255728000E	16	77·91~ 108
40155995	78	39	B111105100B	4	52			68~
		87~	B1111563000	2	35	B255728000E	18	77·91~ 108
40157625	72	96·102 ~105	B1132521000	2	12			68~
		87~	B1140761000	90	84	B3010141H00	22	11
40157626	72	96·102 ~105	B1140761000	96	97	B3031141H00	58	3
		77~	B125578100A	42	32	B3112704000	76	8
40157628	72	86·98·~ 101	B1308055000	16	58	B3112704000	78	24
		77~	B1310055000	16	59	B31375270A0	76	15
40157629	72	86·98·~ 101	B1314055000	16	60	B31375270A0	78	26
		77~	B1401053000	10	10~14	B3138527000	78	27
40161459	76	6	B1411053000	10	21~23	B3139527000	78	28
40161460	78	2	B1411521000	10	21~23	B3141527000	78	29
40163914	104	36	B1412051000	12	40	B3142527000	78	30
40164521	104	18	B1438512B00	12	32~39	B3143527000	78	31
40167733	46	21	B1504210000	58	1	B3538112000	14	34
40169431	28	70·71	B1516210D00	104	19	B4122804000	52	48
40169432	28	72·73	B152652700G	52	63	B4122804000	54	48
40169433	28	75	B152652700G	54	63	B91210120A0	104	16
40169434	28	74	B1639051000	16	50	BT0400251EB	38	12
40169435	30	82	B1834512000A	92	46	BT0400251EB	48	52·53
40169436	30	83	B1843563000	88	58	BT0400251EB	54	75·76
40169437	30	84	B1843563000	90	58	BT0400251EB	58	2
40169438	28	76·77	B1843563000	92	34	BT0400251EB	60	13
			B2508047000	68	32·33	BT0400251EB	62	6

NUMERICAL INDEX OF PARTS

PART NO	PAGE	REF NO.	PART NO	PAGE	REF NO.	PART NO	PAGE	REF NO.
BT0400251EB	74	13	HW000840040	66	8	PJ046052503	54	77
BT0600401EB	84	1	HX00150000B	104	22	PJ046052503	60	14
BT0800501EB	84	2	HX00150000C	84	6	PJ046052503	62	7
CM300200001	2	5·14	HX00150000H	84	8	PJ046052503	74	14
CM600100101	4	43	HX00150000M	84	9	PJ304040504	58	5
CM600100201	104	10	HX00150000M	90	54	PJ304045102	38	21
CQ202000000	34	83	HX00150000M	94	76	PJ304065101	84	21
CQ202000000	36	83	M13517B1600	12	30·31	PS0350102KR	48	50
CQ202000000	42	48	M13517B1602	104	17	PX050501000	62	25
CQ202000000	44	48	MAH152010A0	118	1	RC0150001KP	34	53
CQ202000000	90	68	MAO11532000	104	32	RC0150001KP	42	37
CQ202000000	92	68	NM6030001SC	82	7	RC0560711KP	22	3·4
CQ202000000	94	68	NM6040002SC	98	27	RC0560711KP	86	17
CQ252000000	12	45	NM6040002SC	100	25	RC0650811KP	44	49
CQ252000000	34	79	NM6050001SD	40	21	RC0740816K0	14	15·16
CQ252000000	36	79	NM6050001SD	46	29	RC2351018KP	14	13·14
CQ303000000	88	73	NM6050001SD	54	54	RE0320000K0	58	4
CQ303000000	90	73	NM6050001SE	98	24	RE0400000K0	38	23
CQ303000000	94	90	NM6050001SE	100	26	RE0400000K0	60	15
CS1201171TP	40	22	NM6050001SP	84	26	RE0400000K0	74	15
CS1201171TP	48	71	NM6050003SC	90	60	RE0500000K0	16	51
CS1201171TP	52	33	NM6060001CP	62	9	RE0500000K0	22	20
CS1701181TP	10	3	NM6060001SC	62	26	RE0500000K0	34	57
D1231555B00	34	51	NM6060001SD	32	25	RE0500000K0	76	41
D1231555B00	42	31	NM6060001SE	40	18	RE0500000K0	78	46
D2112555B00	4	40	NM6120001CP	90	88	RE1000000K0	40	15
D2464555B00	60	11	NM6120001CP	96	101	RE1200000K0	42	38
D2464555B00	74	11	NS6110310SP	40	14	RO037180100	76	26
D2629M1YC0F	46	27	NS6110310SP	70	40·41	RO037180100	78	5
D2629M1YC0F	54	52	NS6110310SP	76	36	RO092270200	48	56
E2613700000	32	26	NS6110310SP	78	43	RO092270200	52	55
E8760452D00	66	6	NS6110310SP	88	63	RO092270200	54	55
EA9500B0100	48	45	NS6110310SP	90	63	RO098240100	88	37
EA9500B0100	54	91	NS6110310SP	92	47	RO098240100	92	37
EA9500B0100	60	32	NS6110310SP	94	47	SB108002400	8	40
EA9500B0100	62	21	NS6150430SP	62	28	SB115002200	18	86
EA9500B0100	70	68	NS6680410SP	44	63	SB120001800	6	13
EA9500B0100	82	16	PA200150900	48	66	SB120001800	16	47
EA9500B0100	84	17·23	PA200150900	54	84	SB120002700	8	45
EA9500B0100	90	56	PA250250900	58	12	SB125000600	34	58
EA9500B0100	94	78	PA250250900	62	5	SD0380556TL	2	13
EA9500B0200	84	12·13	PA400150200	38	16	SD0450401SP	76	27
HA004680000	66	7	PF055107000	84	20	SD0450401SP	78	8
HK063610220	66	10	PJ025100003	84	19	SD0460576TP	68	30·31
HK075230000	66	9	PJ046052503	48	54	SD0500803TP	40	16

NUMERICAL INDEX OF PARTS

PART NO	PAGE	REF NO.	PART NO	PAGE	REF NO.	PART NO	PAGE	REF NO.
SD0550271TP	82	8	SM4040855SP	72	65-97	SM6040802TP	52	42
SD0640322TP	16	62	SM4040855SP	84	10	SM6040802TP	70	48-49
SD0650321TP	70	42-43	SM4040855SP	88	22	SM6040802TP	88	16
SD0651301TH	68	34-35	SM4041201SC	98	29	SM6040802TP	94	80
SD0791271SP	62	22	SM4041201SC	100	22	SM6040860TP	86	19
SD0800321TH	60	16	SM4042501SC	98	28	SM6041002TP	68	36-37
SD0800321TH	74	16	SM4042501SC	100	23	SM6041202TP	62	27
SD0800341SP	60	17	SM4050501SC	12	41	SM6041402TP	52	45
SD0800341SP	74	17	SM4050655SP	4	61	SM6041802TP	52	73
SD0800346TP	48	57	SM4050655SP	104	31	SM6041802TP	54	73
SD0800346TP	54	79	SM4050855SP	2	41	SM6041802TP	90	67
SD0800406TP	62	24	SM4050855SP	4	41	SM6041802TP	92	50
SD0802126TP	32	24	SM4050855SP	46	32	SM6041802TP	94	50
SD0900426TP	48	48	SM4050855SP	60	19	SM6050800SP	44	72
SD0900426TP	54	80	SM4050855SP	62	8	SM6050802TP	38	9
SD1000406TP	40	19	SM4050855SP	76	37	SM6050802TP	48	59
SD1021251SP	42	20	SM4050855SP	80	48	SM6050802TP	54	81
SK3412000SC	102	22	SM4050855SP	90	87	SM6050802TP	60	20
SK3452501SE	106	43	SM4050855SP	96	100	SM6050802TP	74	20
SK3482001SE	84	24	SM4050855SP	104	21	SM6051000SP	34	60
SK3482001SE	102	2	SM4051001SN	76	38	SM6051202TP	40	4
SL4040691SC	66	11	SM4051001SN	80	52	SM6051202TP	46	34
SL4040881SC	46	31	SM4051055SP	2	25-59	SM6051202TP	54	58
SL4040881SC	52	26	SM4051055SP	4	25-59	SM6051202TP	84	22
SL4041091SC	84	3	SM4051055SP	8	49	SM6051400SP	40	5
SL4041091SC	90	55	SM4051055SP	102	24	SM6051400SP	46	33
SL4041091SC	94	77	SM4051255SP	82	12	SM6051400SP	54	57
SL4041491SC	64	6	SM4051405SE	98	23	SM6051402TP	60	21
SL4051091SC	60	18	SM4051405SE	100	24	SM6051402TP	74	21
SL4051091SC	74	18	SM4055501SC	2	3	SM6051402TP	106	41
SL6051092TN	88	38	SM6030602TP	10	25	SM6051602TP	46	62
SL6051092TN	92	38	SM6030602TP	70	46-47	SM6051602TP	48	62
SL6052592TN	6	17	SM6030602TP	82	9	SM6051602TP	54	59
SM0030601SC	86	18	SM6031202TP	86	20	SM6051602TP	70	50-51
SM0050801SC	34	61	SM6031202TP	88	46	SM6051802TP	38	8
SM0051001SC	86	34	SM6031202TP	92	15	SM6052002TP	52	30
SM1040750TP	2	34	SM6040502TP	14	33	SM6054502TN	38	20
SM1051052TN	4	37	SM6040602TP	14	24-25	SM6054502TP	58	10
SM1061201SN	16	63	SM6040602TP	102	7	SM6055002TP	62	10
SM4021601SN	66	3	SM6040650TP	10	18	SM6056552TP	60	22
SM4030601SN	32	13	SM6040650TP	14	83	SM6056552TP	74	22
SM4040655SP	2	36	SM6040650TP	18	83	SM6061002TP	4	46
SM4040655SP	4	36	SM6040650TP	34	59	SM6061002TP	58	8
SM4040655SP	70	65-97	SM6040650TP	44	69-74	SM6061002TP	60	12
SM4040855SP	2	27	SM6040802TP	22	23	SM6061002TP	74	12

NUMERICAL INDEX OF PARTS

PART NO	PAGE	REF NO.	PART NO	PAGE	REF NO.	PART NO	PAGE	REF NO.
SM6061010TP	48	60	SM8060612TP	46	74	SS8151550SP	6	21
SM6061010TP	54	82	SM8060612TP	48	74	SS8660610TP	42	36
SM6061202TP	34	62	SM8060612TP	50	74	SS8660612TP	16	67
SM6061402TP	44	61	SM8060612TP	52	94	SS8661012TP	76	39
SM6061402TP	118	2	SM8060612TP	54	94	SS8661012TP	78	44
SM6061602TP	38	19	SM8060612TP	56	94	TA0500301R0	12	43
SM6061602TP	44	52	SM8060812TP	6	41	TA0620504R0	12	44
SM6061602TP	48	61	SM8060812TP	8	41	TA0750404R0	48	72
SM6061602TP	54	83	SM8060812TP	16	48	TA1030402R0	2	17
SM6061602TP	58	9	SM8060812TP	44	59	TA1250406R0	2	19
SM6061802TP	14	27-28	SM8060812TP	70	52-53	TA1270502R0	2	18
SM6061802TP	44	53	SM80608A2TP	6	47	TA1550902R0	4	39
SM6061802TP	90	61	SM80608A2TP	8	47	TA1650406R0	2	7
SM6061802TP	94	75	SM80608A2TP	34	99	WP0320501SC	70	58-59
SM6062002TP	34	63	SM80608A2TP	36	99	WP0320501SE	82	10
SM6062502TP	44	80	SM8063012TR	40	13	WP0430800SD	36	84
SM6081552TP	38	18	SM8080812TP	8	51	WP0430800SD	94	51
SM6082002TP	62	11	SM9061203SE	102	12	WP0431005SP	52	90
SM8040412TP	4	48	SM9061853SR	40	20	WP0431005SP	54	90
SM8040412TP	34	64	SQ2050452MZ	90	57	WP0450000SD	70	60-61
SM8040412TP	44	54	SS2060310SP	10	26	WP0450801SP	86	22
SM8040612TP	22	25	SS3090710TP	76	19	WP0450801SP	90	85
SM8050412TP	14	29-30	SS4090515SP	82	5	WP0450801SP	96	98
SM8050412TP	48	64	SS4110615SP	76	20	WP0450846SP	88	20
SM8050412TP	52	47	SS4110615SP	78	9	WP0460556SD	76	23
SM8050412TP	54	47	SS4110815SP	76	35	WP0460556SD	78	33
SM8050502TP	86	21	SS4110815SP	78	42	WP0501016SD	76	21
SM8050512TP	88	39	SS6090410TP	12	51	WP0501016SD	78	32
SM8050512TP	92	39	SS6090910TP	34	67	WP0501016SD	102	23
SM8050612TP	22	29-35	SS6111052TP	44	60	WP0531001SC	98	22
SM8050612TP	32	14	SS6121210SP	52	60	WP0531001SC	100	28
SM8050612TP	44	57	SS6121210SP	54	60	WP0550800SP	70	62-63
SM80506A2TP	14	32	SS6121860SP	48	65	WP0550800SP	106	44
SM8050812TP	6	7	SS7060610SP	70	54-55	WP0612066SP	22	5-21
SM8050812TP	44	56	SS7080510TP	12	42	WP0621016SD	62	23
SM8050842TP	44	55	SS7090510SP	78	10	WP0621036SP	54	56
SM8051002TP	86	33	SS7090910TP	10	24	WP0651001SC	34	73
SM8060552TP	34	66	SS7110740TP	60	30	WP0740516SP	22	10-39
SM8060612TP	8	50	SS7110740TP	62	19	WP0740516SP	24	10-39
SM8060612TP	10	4	SS8080310TP	12	53	WP0740516SP	42	64
SM8060612TP	22	26-27	SS8080410TP	12	46	WP0740516SP	44	64
SM8060612TP	34	65	SS8090670SP	22	28	WP0820516SP	8	38
SM8060612TP	38	7	SS8110422TP	42	39	WP1612616SE	98	15
SM8060612TP	40	24	SS8110422TP	70	56-57	WP1612616SE	100	27
SM8060612TP	44	58	SS8111010TP	16	64	WS0451040KP	86	26

NUMERICAL INDEX OF PARTS

PART NO	PAGE	REF NO.
WS0510002KN	84	25
WS0510002KN	98	21
WS0510002KN	100	29
WT0530002KS	4	60
WT1780011KP	46	25
WT1780011KP	52	40
WZ1052010KP	38	11