

MODEL : LBH-1790AB

List No : 1674-00

# PARTS LIST

Published:05/12/2017

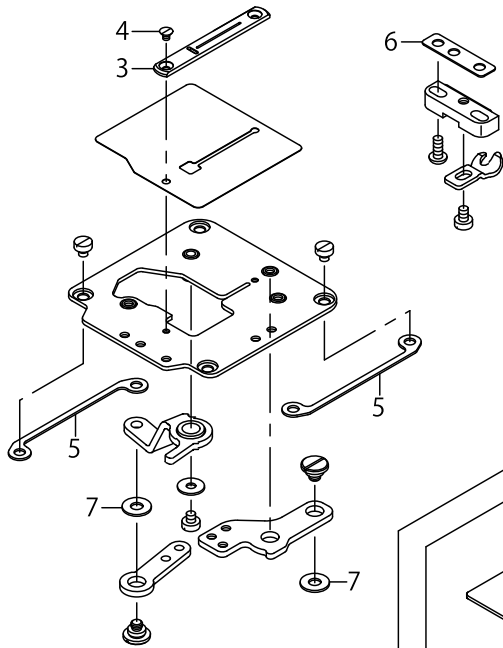
## CONTENTS

---

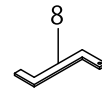
SHORTER-THREAD REMAINING TYPE .....	1
HOW TO MAKE USE OF THIS PARTS LIST .....	3

SHORTER-THREAD REMAINING TYPE

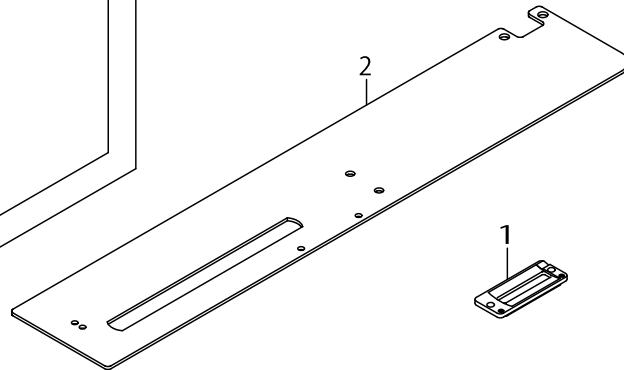
BOBBIN THREAD TRIMMER COMPONENTS  
下糸切り関係



ACCESSORIE PARTS COMPONENTS  
付属品関係



PRESSER & FEED COMPONENTS  
押え・送り関係



SHORTER-THREAD REMAINING TYPE

No.	Supply Code	Parts No.	Replacement	Parts name	Remarks	Choice	Step	Level	Cons	Qty	Rep. QTY
1		40160113		WORK CLAMP						1	
2		40160114		WORK CLAMP CARRIER						1	
3		40153019		THROAT_PLATE_2B						1	
4		40153923		SCREW_ADD						1	
5		40011319		THROAT_PLATE_BASE_SPACER						2	
6		40004326		BTT_SPACER						1	
7		WP0551016SH		WASHER 5.5X13X1						2	
8		40152575		TIMING_GAUGE_T						1	

## HOW TO MAKE USE OF THIS PARTS LIST

1.As to "#01" and "#02" refer to the "Note" given at the bottom of the respective pages.

2.Codes on the "Qty" column

- Each numeral indicates the number of parts required.
- "0.1" and "2.5" indicate the length (in meters) of the respective parts.

3.Parentheses mean that the corresponding part is a subpart that constructs an assembly part.

4.Dotted lines on the Figures indicate assembly parts.

1. リストページの# 0 1、# 0 2の印は、ページ下の"注記"の説明を参照下さい。
2. 数量欄の数字は、個数を表し、0. 1、2. 5等の数値は、長さ（単位メートル）を表します。
3. 数量欄の（ ）は、組部品を構成している子部品であることを意味します。
4. イラストページの-----枠は、組構成であることを意味します。

## NUMERICAL INDEX OF PARTS

PART NO	PAGE	REF NO.
40004326	2	6
40011319	2	5
40152575	2	8
40153019	2	3
40153923	2	4
40160113	2	1
40160114	2	2
WP0551016SH	2	7