

MODEL : MO-6800S

List No : 1672-02

# PARTS LIST

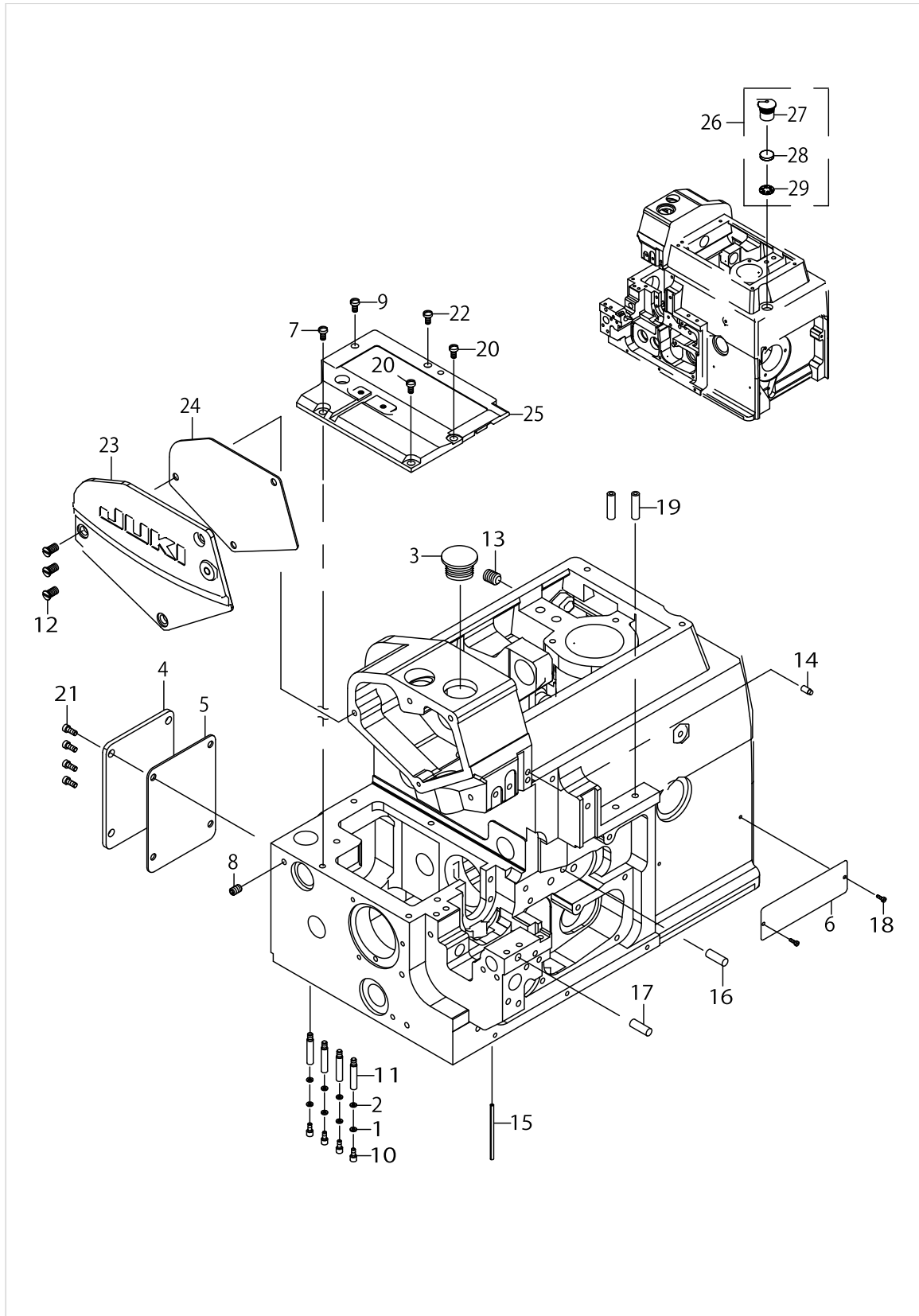
Published:05/12/2017

## CONTENTS

---

MISCELLANEOUS COVER COMPONENTS (1).....	1
MISCELLANEOUS COVER COMPONENTS (2).....	3
MISCELLANEOUS COVER COMPONENTS (3).....	5
CRANKSHAFT COMPONENTS .....	7
NEEDLE DRIVING SHAFT COMPONENTS .....	11
THREAD TENSION COMPONENTS .....	13
UPPER LOOPER COMPONENTS .....	19
LOWER LOOPER COMPONENTS .....	23
CHAIN LOOPER COMPONENTS (1).....	25
CHAIN LOOPER COMPONENTS (2).....	27
FEED MECHANISM COMPONENTS (1).....	29
FEED MECHANISM COMPONENTS (2).....	33
KNIFE COMPONENTS.....	37
PRESSER FOOT COMPONENTS.....	39
LUBRICATION MECHANISM COMPONENTS.....	43
NEEDLE COOLER UNIT COMPONENTS.....	47
THREAD STAND COMPONENTS (FOR MO-6804S).....	49
THREAD STAND COMPONENTS (FOR MO-6814S).....	51
THREAD STAND COMPONENTS (FOR MO-6816S).....	53
THREAD STAND COMPONENTS (FOR MO-6843S).....	55
SEMI-SUNKEN TYPE TABLE COMPONENTS.....	57
FULLY-SUNKEN TYPE TABLE COMPONENTS.....	59
ACCESSORIES PARTS COMPONENTS .....	61
PACKING COMPONENTS.....	63
TAPE INSERTION COMPONENTS .....	65
30P COMPONENTS.....	67
60H COMPONENTS.....	71
MO-6800S GAUGE TABLE .....	75
LIST FOR INFORMATION OF CHANGE (1).....	76
LIST FOR INFORMATION OF CHANGE (2).....	77
HOW TO MAKE USE OF THIS PARTS LIST	

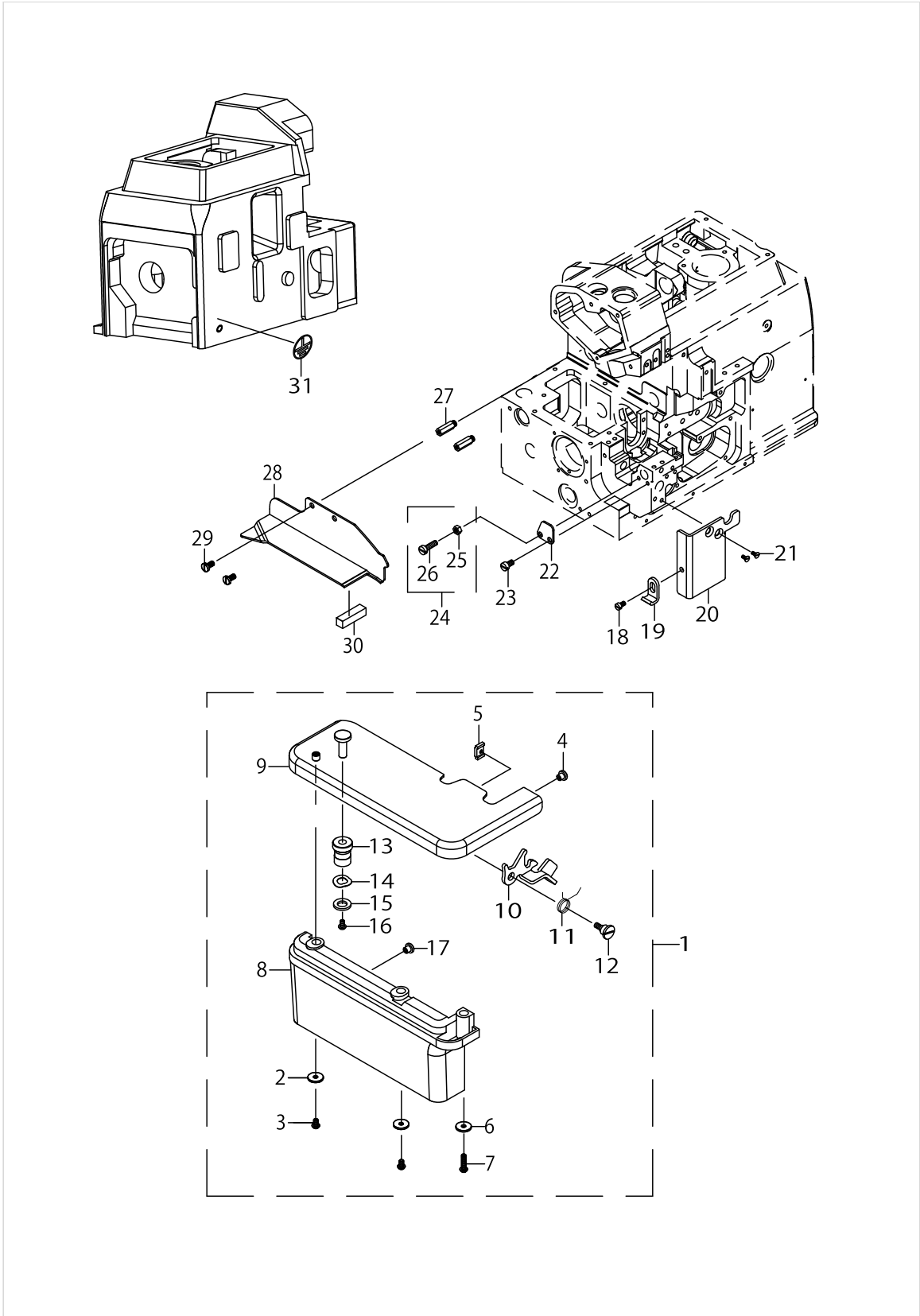
MISCELLANEOUS COVER COMPONENTS (1)



MISCELLANEOUS COVER COMPONENTS (1)

No.	Supply Code	Parts No.	Replacement	Parts name	Remarks	Choice	Step	Level	Cons	Qty	Rep. QTY
1		7000363		WASHER						4	
2		7000365		WASHER						4	
3		40159534		RUBBER PLUG						1	
4		40172525		COVER						1	
5		7000443		METAL FOAM GASKET						1	
6		*****		NAME PLATE						1	
7		7000515		E_SCREW						1	
8		7000522		E_SCREW						1	
9		7000529		E_SCREW						1	
10		7000543		E_SCREW						4	
11		7000544		E_SCREW						4	
12		7000550		E_SCREW						3	
13		7000586		M_SCREW						1	
14		7000659		PIN						1	
15		7000670		PIN						1	
16		7000671		PIN						1	
17		7000672		PIN						1	
18		7000753		RIVET						2	
19		7000754		DUCT						2	
20		7000515		E_SCREW						2	
21		7000515		E_SCREW						4	
22		7000529		E_SCREW						1	
23		40159531		SIDE COVER						1	
24		40159532		METAL FOAM GASKET						1	
25		40159533		COVER						1	
26		40159537		RUBBERPLUGCOMB.						1	
27		40159538		RUBBER PLUG				*		1	
28		40159539		FELT				*		1	
29		40159540		RUBBER PLUG COVER				*		1	

MISCELLANEOUS COVER COMPONENTS (2)

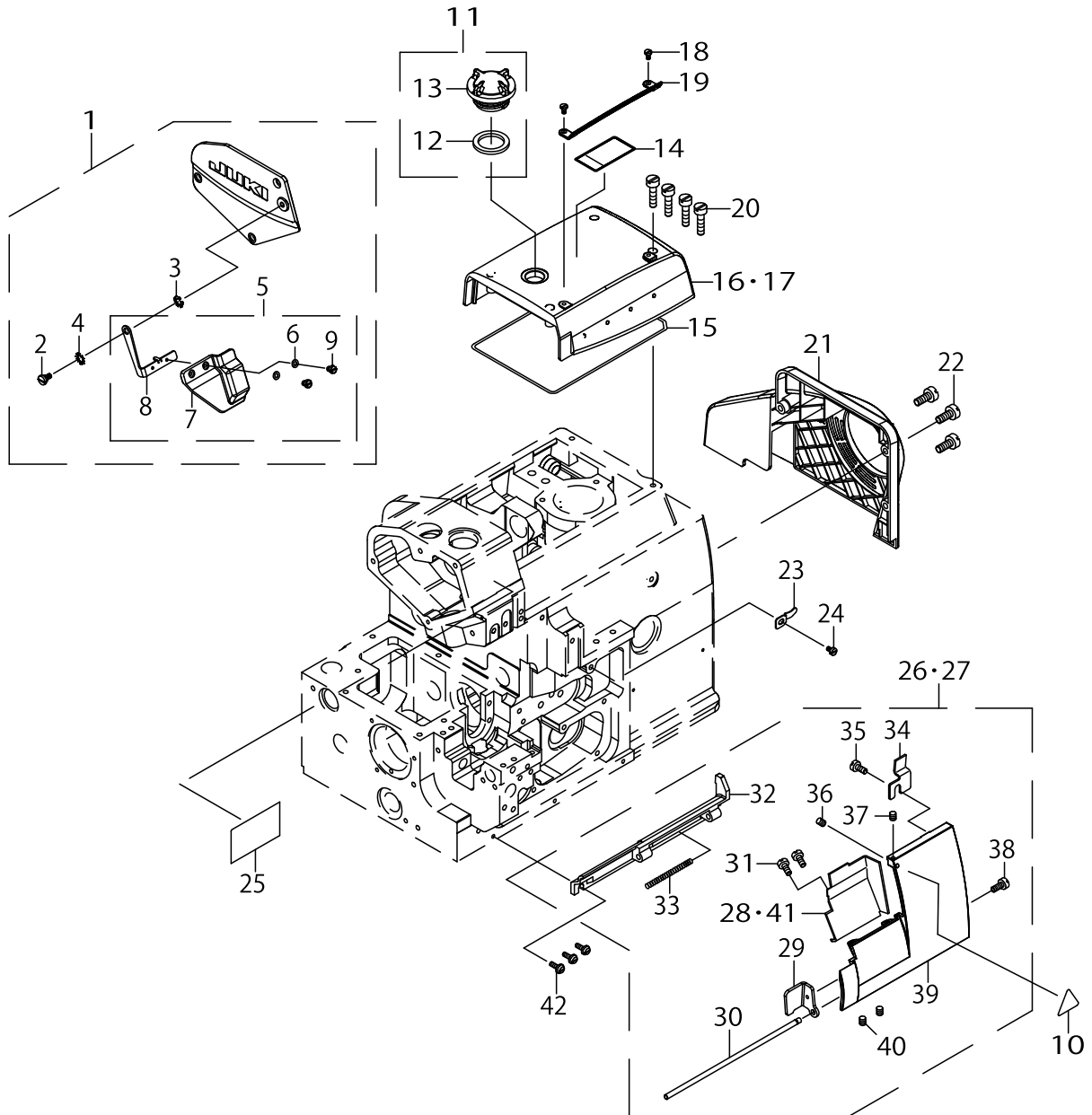


MISCELLANEOUS COVER COMPONENTS (2)

No.	Supply Code	Parts No.	Replacement	Parts name	Remarks	Choice	Step	Level	Cons	Qty	Rep. QTY
1		40159557		FABRIC PLATE COVER COMB.						1	
2		70000368		WASHER				*		2	
3		70000574		M_SCREW				*		2	
4		70000490		RUBBER PLUG				*		1	
5		70000334		FIXED SEAT				*		1	
6		40159562		WASHER				*		1	
7		40159563		M_SCREW				*		1	
8		40159556		SIDE COVER				*		1	
9		40159555		FABRIC PLATE COVER				*		1	
10		40159564		LEVER				*		1	
11		40159565		SPRING				*		1	
12		70000528		E_SCREW				*		1	
13		40159558		BUSHING				*		1	
14		40159559		WASHER				*		1	
15		40159560		WASHER				*		1	
16		70000577		M_SCREW				*		1	
17		40159561		RUBBER PLUG				*		1	
18		40159552		M_SCREW						1	
19		40159553		GUIDE PLATE						1	
20		40159554		OILER COVER						1	
21		70000516		E_SCREW						2	
22		70000404		FIXED PLATE						1	
23		70000518		E_SCREW						1	
24		70000453		NUT						1	
25		70000452		NUT				*		1	
26		70000563		E_SCREW				*		1	
27		70000494		SCREW						2	
28		70000493		FABRIC GUIDE						1	
29		70000515		E_SCREW						2	
30		70000755		SPONGY CUSHION						1	
31		40159551		LABEL_(GROUND_MARK)						1	

MISCELLANEOUS COVER COMPONENTS (3)

MODEL	04S/14S	16S/43S
PARTS NO	28	41
	26	27



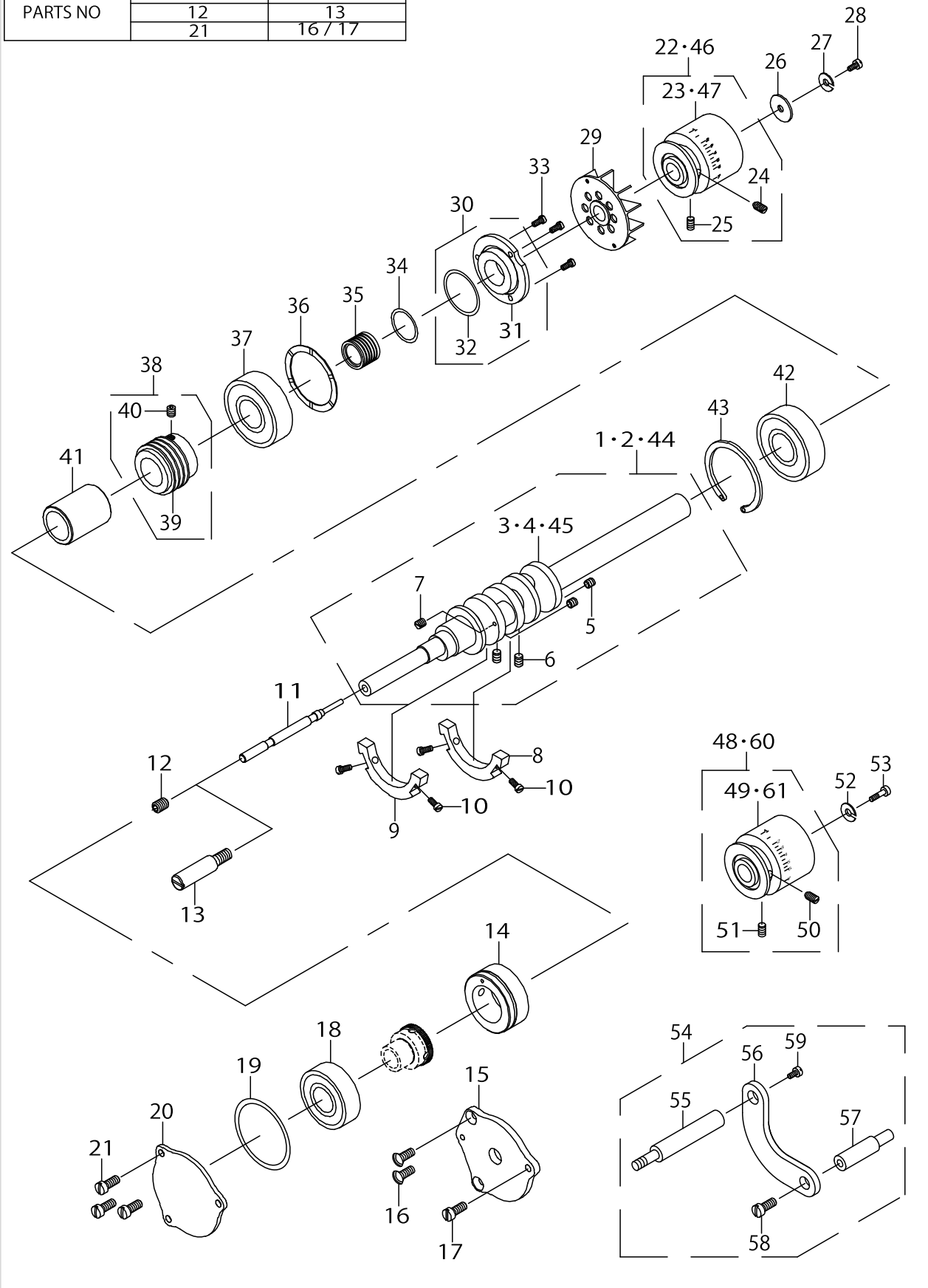
MISCELLANEOUS COVER COMPONENTS (3)

No.	Supply Code	Parts No.	Replacement	Parts name	Remarks	Choice	Step	Level	Cons	Qty	Rep. QTY
1		40159571		SIDE COVER						1	
2		40159573		M_SCREW				*		1	
3		40159572		WASHER				*		1	
4		40159572		WASHER				*		1	
5		40159577		SAFETY PLATE COMB.				*		1	
6		40159576		WASHER				*		2	
7		40159575		SAFETY PLATE				*		1	
8		40159574		SAFETY PLATE BRACKET				*		1	
9		70000908		M_SCREW				*		2	
10		70000736		LABEL						1	
11		40159579		OIL LEVEL INSPEC- TION LENS COMB.						1	
12		70000136		GASKET				*		1	
13		40159578		OIL LEVEL INSPECTION LENS				*		1	
14		70000161		LABEL						1	
15		70000222		O-RING						1	
16		40159582		TOP COVER						1	
17		40159583		TOP COVER (43 SIZE)	FOR 43S					1	
18		40159580		E_SCREW						2	
19		40159581		THREAD GUIDE PLATE						1	
20		70000563		E_SCREW						4	
21		40159584		MOTOR COVER						1	
22		70000520		E_SCREW						3	
23		70000745		GUIDE PLATE						1	
24		70000555		E_SCREW						1	
25		*****		EMBLEM						1	
26		40159585		FRONTCOVERCOMB.	FOR 04S,14S					1	
27		40159593		FRONTCOVERCOMB.	FOR 16S,43S					1	
28		70000481		FRONT COVER	FOR 04S,14S			*		1	
29		70000660		PIN				*		1	
30		40159590		SHAFT				*		1	
31		70000577		M_SCREW				*		2	
32		40159586		FIXED SEAT				*		1	
33		40159587		SPRING				*		1	
34		70000744		RETAINING CLIP				*		1	
35		70000577		M_SCREW				*		1	
36		70000570		M_SCREW				*		1	
37		70000569		M_SCREW				*		1	
38		40159591		E_SCREW				*		1	
39		40159592		FRONT COVER				*		1	
40		70000573		M_SCREW				*		2	
41		70000820		FRONT COVER	FOR 16S,43S					1	
42		40159589		E_SCREW						3	



# CRANKSHAFT COMPONENTS

MODEL	04S/14S	16S/43S
PARTS NO	20	15
	12	13
	21	16 / 17

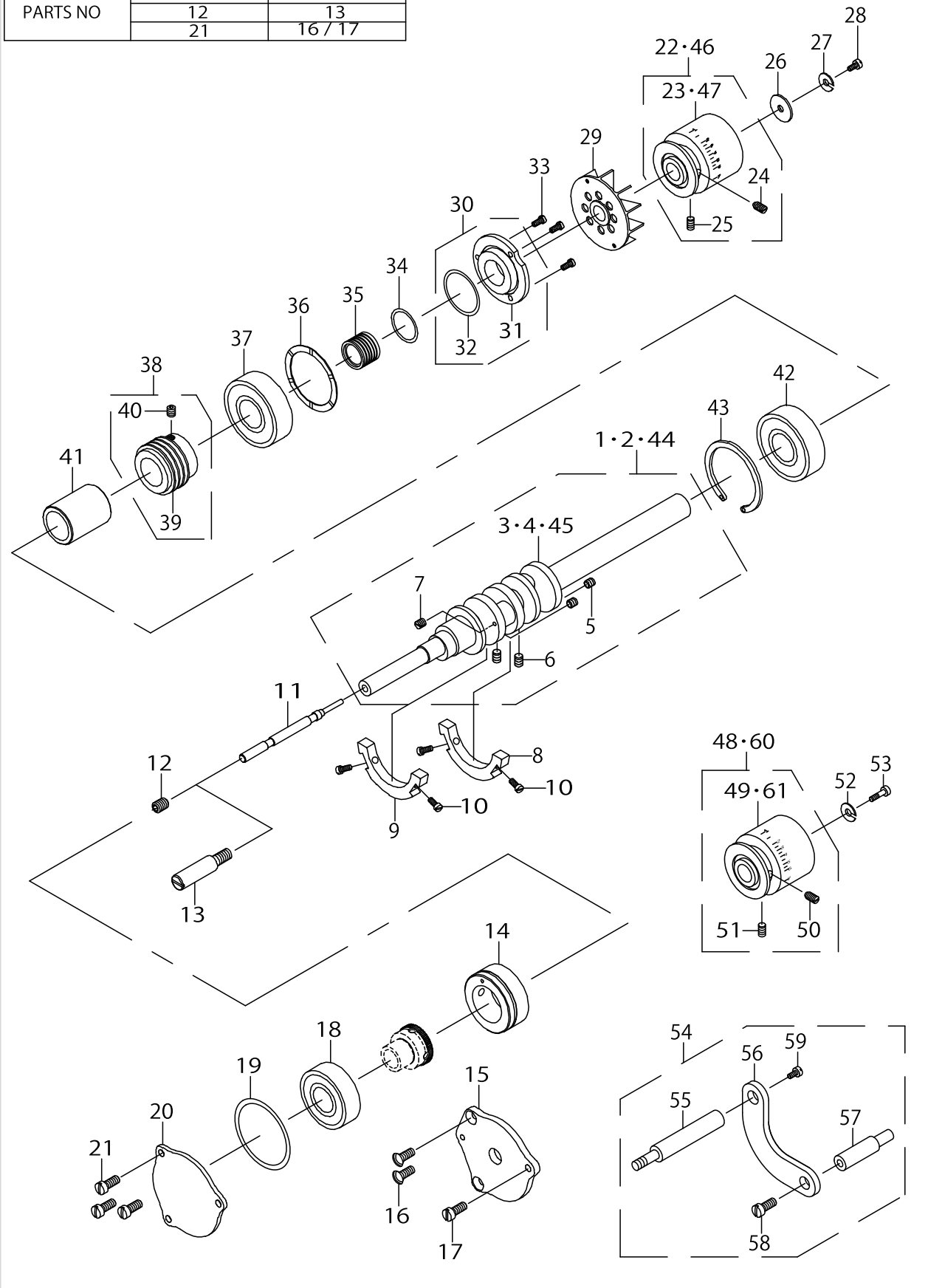


CRANKSHAFT COMPONENTS

No.	Supply Code	Parts No.	Replacement	Parts name	Remarks	Choice	Step	Level	Cons	Qty	Rep. QTY
1		40159606		MAIN SHAFT COMB.						1	
2		40159607		MAIN SHAFT COMB. (HIGH TYPE)	FOR 14S-4-0H,14S-44-H,16S-50H					1	
3		40159604		MAIN SHAFT				*		1	
4		40159605		MAIN SHAFT (HIGH TYPE)	FOR 14S-4-0H,14S-44-H,16S-50H			*		1	
5		70000565		E_SCREW				*		2	
6		70000564		E_SCREW				*		2	
7		70000565		E_SCREW				*		1	
8		70000619		BALANCE BLOCK						1	
9		70000620		BALANCE BLOCK						1	
10		70000535		E_SCREW						4	
11		70000737		SHAFT						1	
12		40159608		M_SCREW	FOR 04S,14S					1	
13		70000460		FASTENER PIN	FOR 16S,43S					1	
14		70000130		BUSHING						1	
15		70000701		BEARING COVER	FOR 16S,43S					1	
16		70000554		E_SCREW	FOR 16S,43S					2	
17		70000562		E_SCREW	FOR 16S,43S					1	
18	R	70000694	70000741	BEARING						1	1.00
19		70000145		O-RING						1	
20		70000700		BEARING COVER	FOR 04S,14S					1	
21		70000508		E_SCREW	FOR 04S,14S					3	
22		40159602		HAND WHEEL COMB.						1	
23		40159601		HAND WHEEL				*		1	
24		70000536		E_SCREW				*		1	
25		70000546		E_SCREW				*		1	
26		70000341		GASKET						1	
27		70000612		WASHER						1	
28		40159603		M_SCREW						1	
29		70000750		FAN BLADE						1	
30		70000431		SIDE COVER COMB.						1	
31		70000430		SIDE COVER				*		1	
32		70000145		O-RING				*		1	
33		70000521		E_SCREW						3	
34		70000143		O-RING						1	
35		70000149		WORM WHEEL						1	
36		70000699		WASHER						1	
37		70000695		BEARING						1	
38		70000259		WORM WHEEL						1	
39		70000257		WORM WHEEL				*		1	
40		70000522		E_SCREW				*		1	
41		70000314		SHAFT						1	
42		70000696		BEARING						1	
43		70000449		STOP RING						1	
44		40164012		MAIN SHAFT COMB.(30P)	FOR 30P					1	

# CRANKSHAFT COMPONENTS

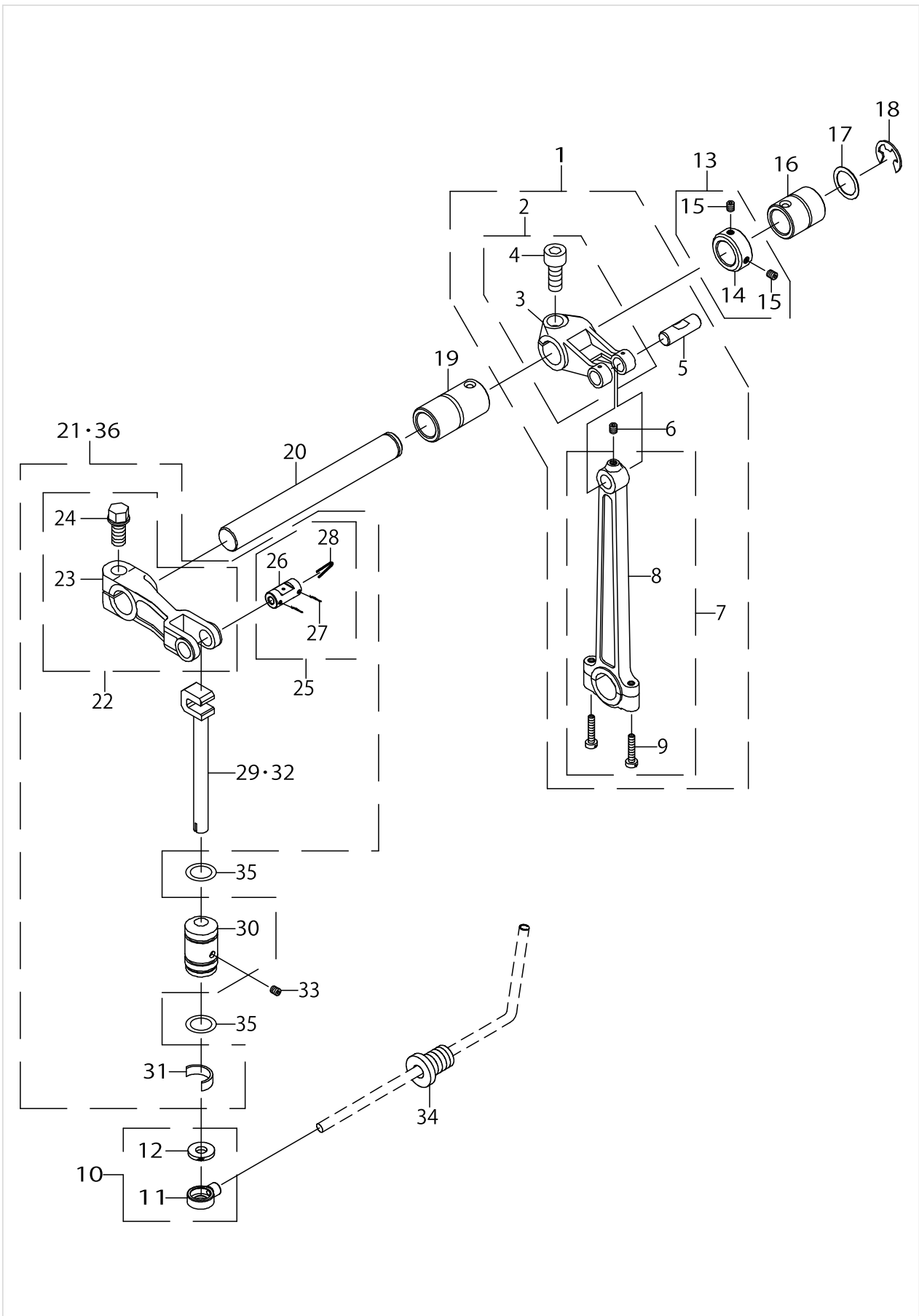
MODEL	04S/14S	16S/43S
PARTS NO	20	15
	12	13
	21	16 / 17



CRANKSHAFT COMPONENTS

No.	Supply Code	Parts No.	Replacement	Parts name	Remarks	Choice	Step	Level	Cons	Qty	Rep. QTY
45		40164011		MAIN SHAFT (30P)	FOR 30P			*		1	
46		40164057		HAND WHEEL COMB.(30P)	FOR 30P					1	
47		40164058		HAND WHEEL (30P)	FOR 30P			*		1	
48		40159660		HAND WHEEL COMB.(SYNCHRO)	OPTIONAL PARTS					1	
49		40159659		HAND WHEEL (SYNCHRO)				*		1	
50		70000536		E_SCREW				*		1	
51		70000546		E_SCREW				*		1	
52		70000612		WASHER	OPTIONAL PARTS					1	
53		70000928		M_SCREW	OPTIONAL PARTS					1	
54		40170846		SYNCHRONIZER_STOPPER_ASM	OPTIONAL PARTS					1	
55		40170847		SYNCHRONIZER_BASE_STUD				*		1	
56		40170848		SYNCHRONIZER_STOPPER_BASE				*		1	
57		40022255		SYNCHRONIZER STOPPER				*		1	
58		SS6120940SP		SCREW 3/16-28 L=9				*		1	
59		SS6111010TP		SCREW 11/64-40 L= 9.5				*		1	
60		40164010		HAND WHEEL COM-B.(30P_SYNCHRO)	OPTIONAL PARTS					1	
61		40164059		HAND WHEEL (30P_SYNCHRO)				*		1	

NEEDLE DRIVING SHAFT COMPONENTS

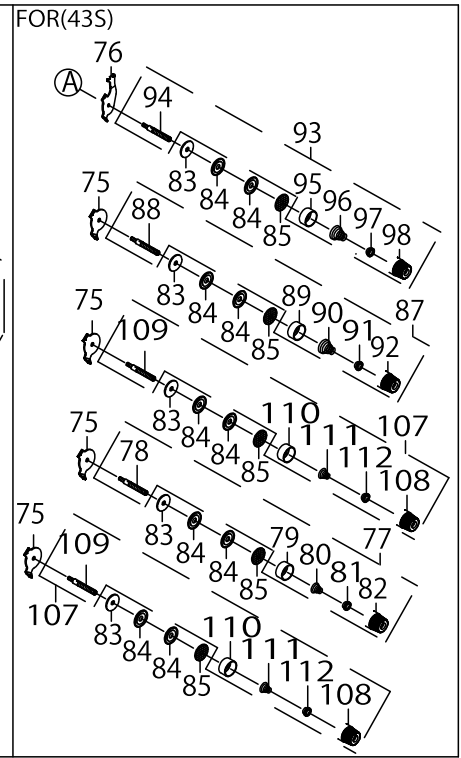
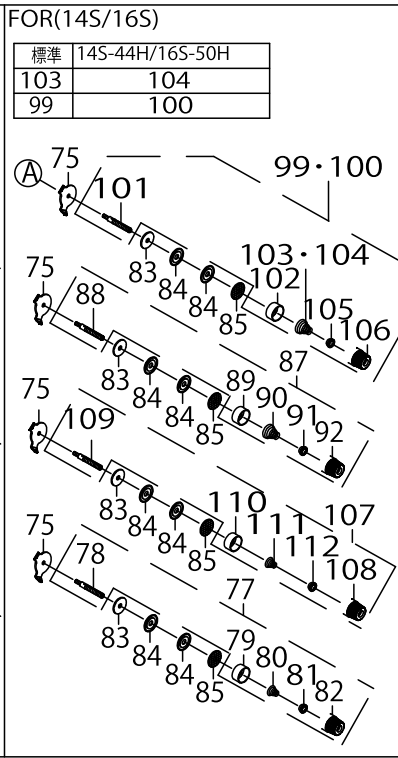
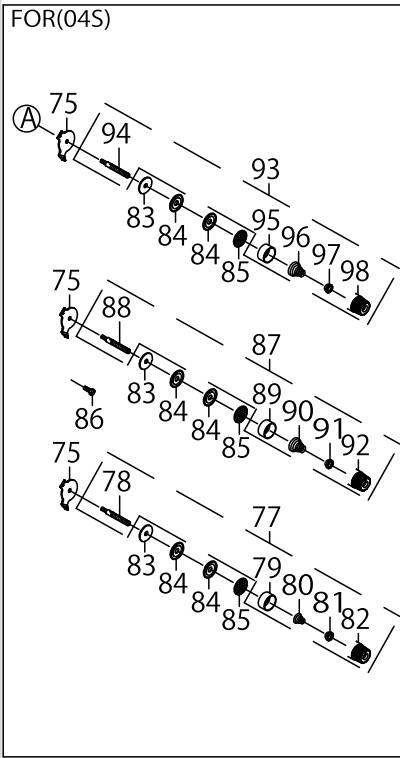
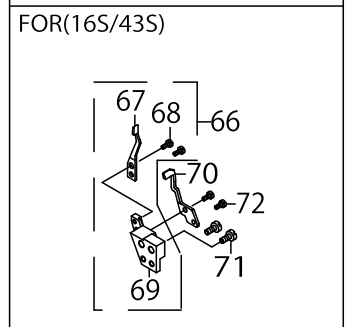
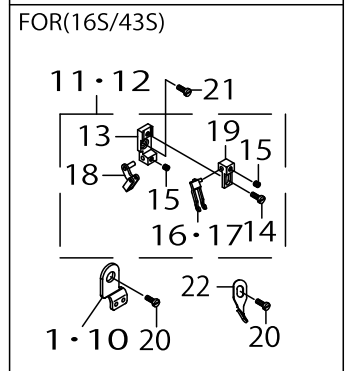
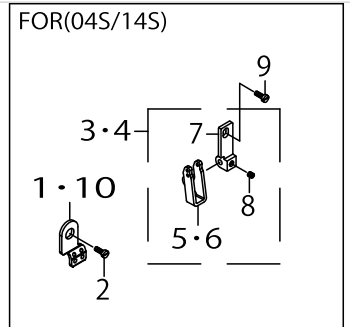
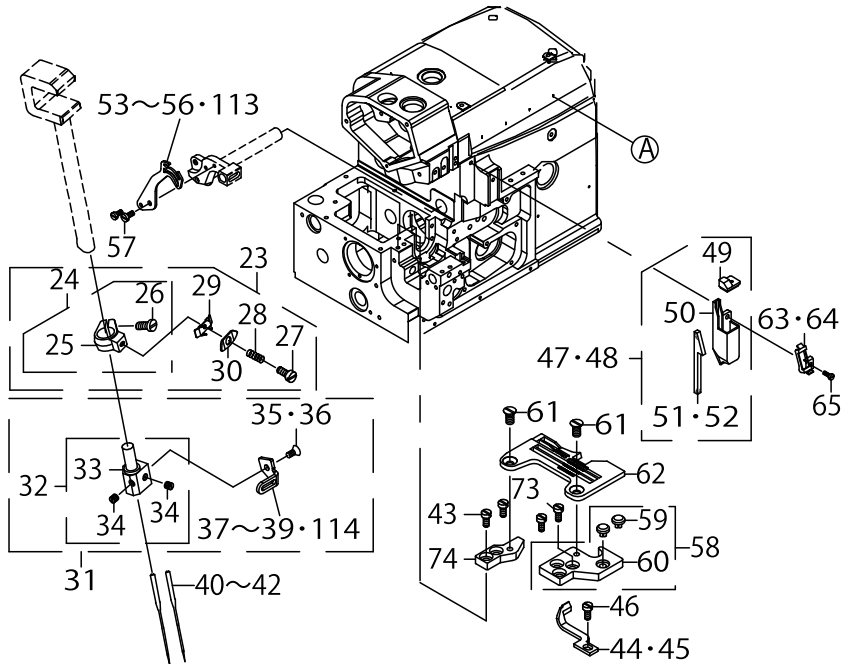


NEEDLE DRIVING SHAFT COMPONENTS

No.	Supply Code	Parts No.	Replacement	Parts name	Remarks	Choice	Step	Level	Cons	Qty	Rep. QTY
1		40159615		SHAFT COMB.						1	
2		7000643		SHAFT				*		1	
3		7000640		NEEDLEBARROCKER				*		1	
4		7000588		M_SCREW				*		1	
5		7000646		PIN				*		1	
6		7000522		E_SCREW				*		1	
7	D	40159618		CONNECTING ROD COMB.				*		1	
8		40159617		CONNECTING ROD				*		1	
9		7000578		M_SCREW				*		2	
10		7000267		OIL FELT						1	
11		7000266		PLUG				*		1	
12		7000677		OIL FELT				*		1	
13		7000437		COLLAR						1	
14		7000432		COLLAR				*		1	
15		7000522		E_SCREW				*		2	
16		7000637		BUSHING						1	
17		7000362		WASHER						1	
18		7000134		E_CIRCLIPS						1	
19		7000639		BUSHING						1	
20		7000635		ARBOR						1	
21		40159619		NEEDLE BAR COMB.						1	
22	R	7000633	40159619	CONNECTING ROD COMB.				*		1	1.00
23		7000632		CONNECTING ROD				*		1	
24		7000593		M_SCREW				*		1	
25	R	7000638	40159619	SHAFT COMB.				*		1	1.00
26		7000636		SHAFT				*		1	
27		7000728		OIL YARN				*		2	
28		7000729		OIL WICK				*		1	
29		7000654		NEEDLE BAR				*		1	
30		40159620		BUSHING				*		1	
31		7000676		OIL FELT				*		1	
32		40159658		NEEDLE BAR (44H)	FOR 14S-44H			*		1	
33		7000503		E_SCREW						1	
34		7000445		PLUG						1	
35		7000141		O-RING						2	
36		40159623		NEEDLE BAR COMB.(44H)	FOR 14S-44H					1	

# THREAD TENSION COMPONENTS

MODEL	04S	14S	16S	43S	14S-30P
PARTS NO	10	1	10	1	113
	5	6	16	17	
	54	53	55	56	
	51	51	52	52	
	63	63	64	64	
	44	44	45	45	
	38	37	114	39	
	8	8	15	15	
	2	2	20	20	
	9	9	21	21	
			14	14	
	35	35	36	36	
	3	4	11	12	
	47	47	48	48	



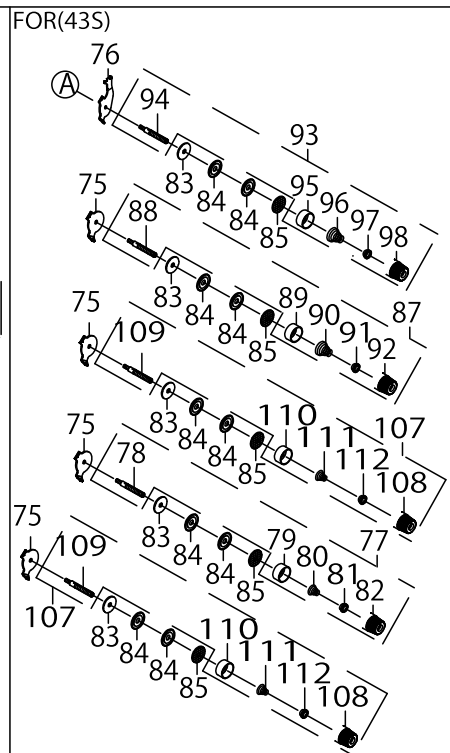
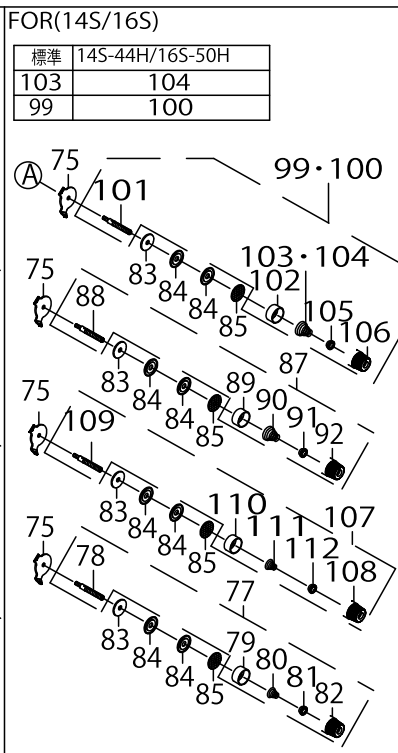
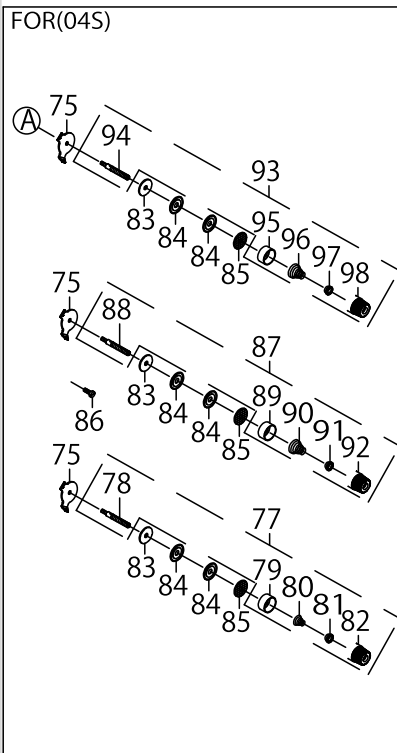
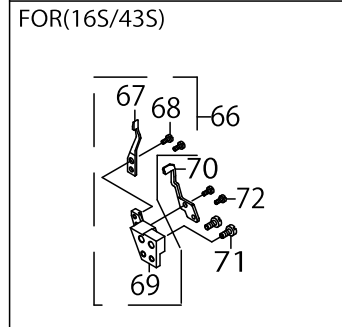
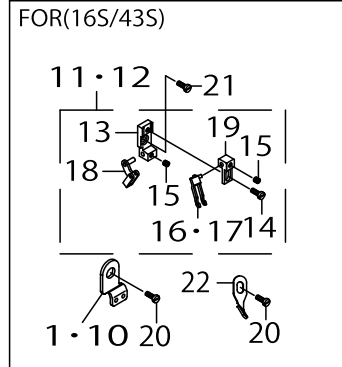
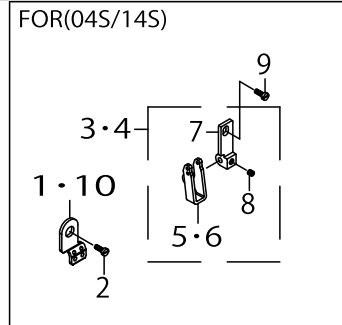
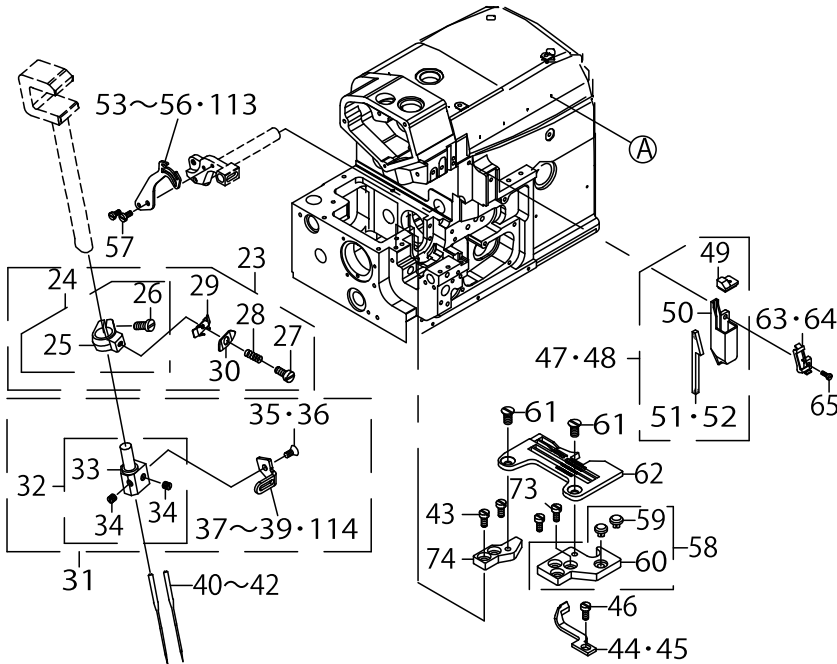
THREAD TENSION COMPONENTS

No.	Supply Code	Parts No.	Replacement	Parts name	Remarks	Choice	Step	Level	Cons	Qty	Rep. QTY
1		40159645		THREAD GUIDE PLATE	FOR 14S,43S					1	
2		70000513		E_SCREW	FOR 04S,14S					1	
3		70000173		FIXED PLATE COMB.	FOR 04S					1	
4		70000832		FIXED PLATE COMB.	FOR 14S					1	
5		70000822		THREAD GUIDE PLATE	FOR 04S			*		1	
6		40159650		THREAD GUIDE PLATE	FOR 14S			*		1	
7		70000164		FIXED PLATE				*		1	
8		70000498		E_SCREW	FOR 04S,14S			*		1	
9		70000549		E_SCREW	FOR 04S,14S					1	
10		40159646		THREAD GUIDE PLATE	FOR 04S,16S					1	
11		70000174		FIXED PLATE COMB.	FOR 16S					1	
12		70000833		FIXED SEAT COMB.	FOR 43S					1	
13		70000171		FIXED SEAT				*		1	
14		70000559		E_SCREW	FOR 16S,43S			*		1	
15		70000498		E_SCREW	FOR 16S,43S			*		2	
16		40159647		THREAD GUIDE PLATE	FOR 16S			*		1	
17		40159651		THREAD GUIDE PLATE	FOR 43S			*		1	
18		40159648		THREAD GUIDE PLATE				*		1	
19		70000169		FIXED BLOCK				*		1	
20		70000513		E_SCREW	FOR 16S,43S					2	
21		70000555		E_SCREW	FOR 16S,43S					1	
22		70000168		THREAD GUIDE PLATE						1	
23		70000629		CATCHER						1	
24		70000653		CRAMP				*		1	
25		70000652		CRAMP				*		1	
26		70000572		M_SCREW				*		1	
27		40159629		M_SCREW				*		1	
28		70000598		SPRING				*		1	
29		70000626		THREAD GRIP				*		1	
30		70000627		THREAD GRIP				*		1	
31		*****		NEEDLE CLAMP	REFER "M-O-6800S G-AUGE TABLE					1	
32		*****		NEEDLE CLAMP	REFER "M-O-6800S G-AUGE TABLE			*		1	
33		*****		NEEDLE CLAMP	REFER "M-O-6800S G-AUGE TABLE			*		1	
34		70000498		E_SCREW				*		2	
35		70000567		M_SCREW	FOR 04S,14S			*		1	
36		70000831		M_SCREW	FOR 16S,43S			*		1	
37		70000628		THREAD CROSSING	FOR 14S			*		1	
38		70000828		THREAD CROSSING	FOR 04S			*		1	
39		70000829		THREAD CROSSING	FOR 43S			*		1	
40		*****		NEEDLE	REFER "M-O-6800S G-AUGE TABLE					2	
41		*****		NEEDLE	REFER "M-O-6800S G-AUGE TABLE					1	



# THREAD TENSION COMPONENTS

MODEL	04S	14S	16S	43S	14S-30P
PARTS NO	10	1	10	1	113
	5	6	16	17	
	54	53	55	56	
	51	51	52	52	
	63	63	64	64	
	44	44	45	45	
	38	37	114	39	
	8	8	15	15	
	2	2	20	20	
	9	9	21	21	
			14	14	
	35	35	36	36	
	3	4	11	12	
	47	47	48	48	

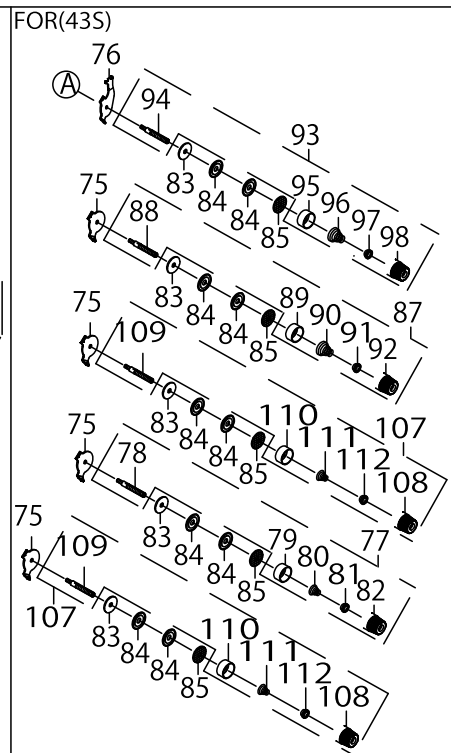
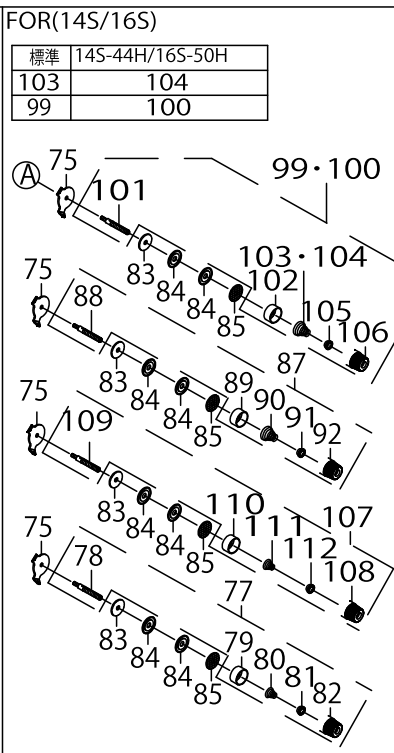
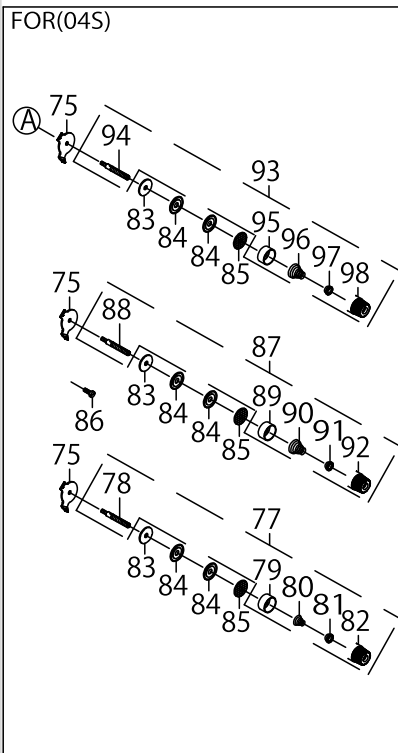
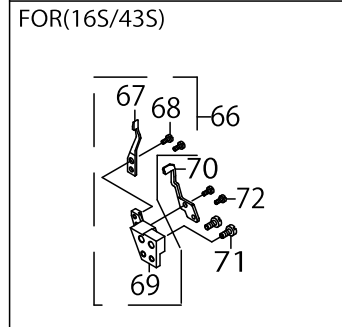
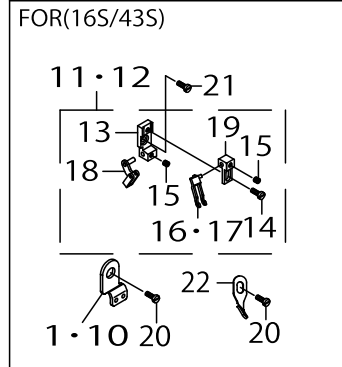
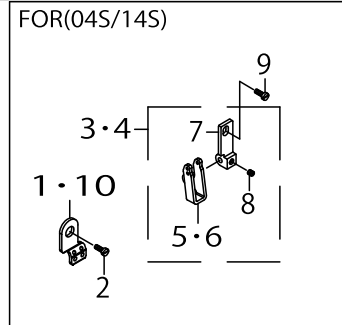
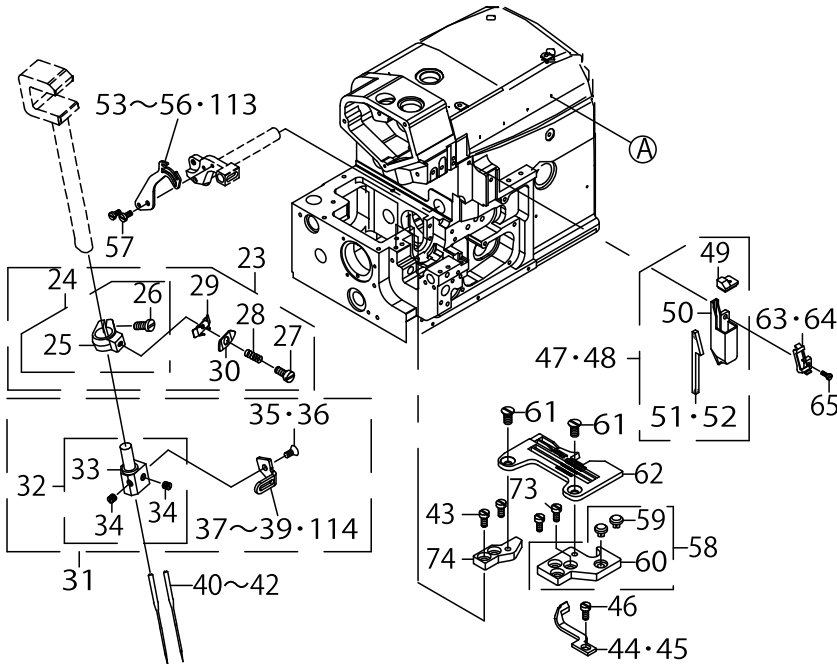


THREAD TENSION COMPONENTS

No.	Supply Code	Parts No.	Replacement	Parts name	Remarks	Choice	Step	Level	Cons	Qty	Rep. QTY
42		*****		NEEDLE	REFER "M-O-6800S GAUGE TABLE					3	
43		70000550		E_SCREW						2	
44		70000469		NEEDLE GUARD	FOR 04S,14S					1	
45		70000827		NEEDLE GUARD	FOR 16S,43S					1	
46		70000555		E_SCREW						1	
47		70000887		OILER	FOR 04S,14S					1	
48		40159652		OILER	FOR 16S,43S					1	
49		70000849		OILER COVER				*		1	
50		70000847		OILER				*		1	
51		70000848		OIL FELT	FOR 04S,14S			*		1	
52		70000885		OIL FELT	FOR 16S,43S			*		1	
53		40159630		THREAD TAKE-UP LEVER	FOR 14S					1	
54		40159653		THREAD TAKE-UP LEVER	FOR 04S					1	
55		40159654		THREAD TAKE-UP LEVER	FOR 16S					1	
56		40159655		THREAD TAKE-UP LEVER	FOR 43S					1	
57		70000505		E_SCREW						2	
58		40159628		NEEDLE PLATE BRACKET COMB.						1	
59		70000704		RUBBER PLUG				*		2	
60		40159626		NEEDLE PLATE BRACKET				*		1	
61		70000516		E_SCREW						2	
62		*****		THROAT PLATE	REFER "M-O-6800S GAUGE TABLE					1	
63		70000850		THREAD GUIDE PLATE	FOR 04S,14S					1	
64		40159649		THREAD GUIDE PLATE	FOR 16S,43S					1	
65		40159625		E_SCREW						1	
66		70000337		FIXED SEAT COMB.						1	
67		70000336		NEEDLE GUARD				*		1	
68		70000497		E_SCREW				*		2	
69		70000630		NEEDLE GUARD				*		1	
70		70000335		NEEDLE GUARD						1	
71		70000526		E_SCREW						2	
72		70000497		E_SCREW						2	
73		70000550		E_SCREW						2	
74		40159627		NEEDLE PLATE BRACKET						1	
75		40159631		THREAD GUIDE PLATE						11	
76		40159644		THREAD GUIDE PLATE						1	
77		40159640		THREAD TENSION COMB.(R)						3	
78		40159632		THREAD TENSION SHAFT				*		1	
79		40159634		SLEEVE				*		1	
80		70000211		SPRING				*		1	
81		40159636		FIXED RING				*		1	
82		40178548		THREAD TENSION KNOB.(R)				*		1	
83		40159633		THREAD TENSION RUBBER WASHER						12	
84		70000203		THREAD GRIP						24	
85		70000213		OIL FELT						12	

THREAD TENSION COMPONENTS

MODEL	04S	14S	16S	43S	14S-30P
PARTS NO	10	1	10	1	113
	5	6	16	17	
	54	53	55	56	
	51	51	52	52	
	63	63	64	64	
	44	44	45	45	
	38	37	114	39	
	8	8	15	15	
	2	2	20	20	
	9	9	21	21	
			14	14	
	35	35	36	36	
	3	4	11	12	
	47	47	48	48	

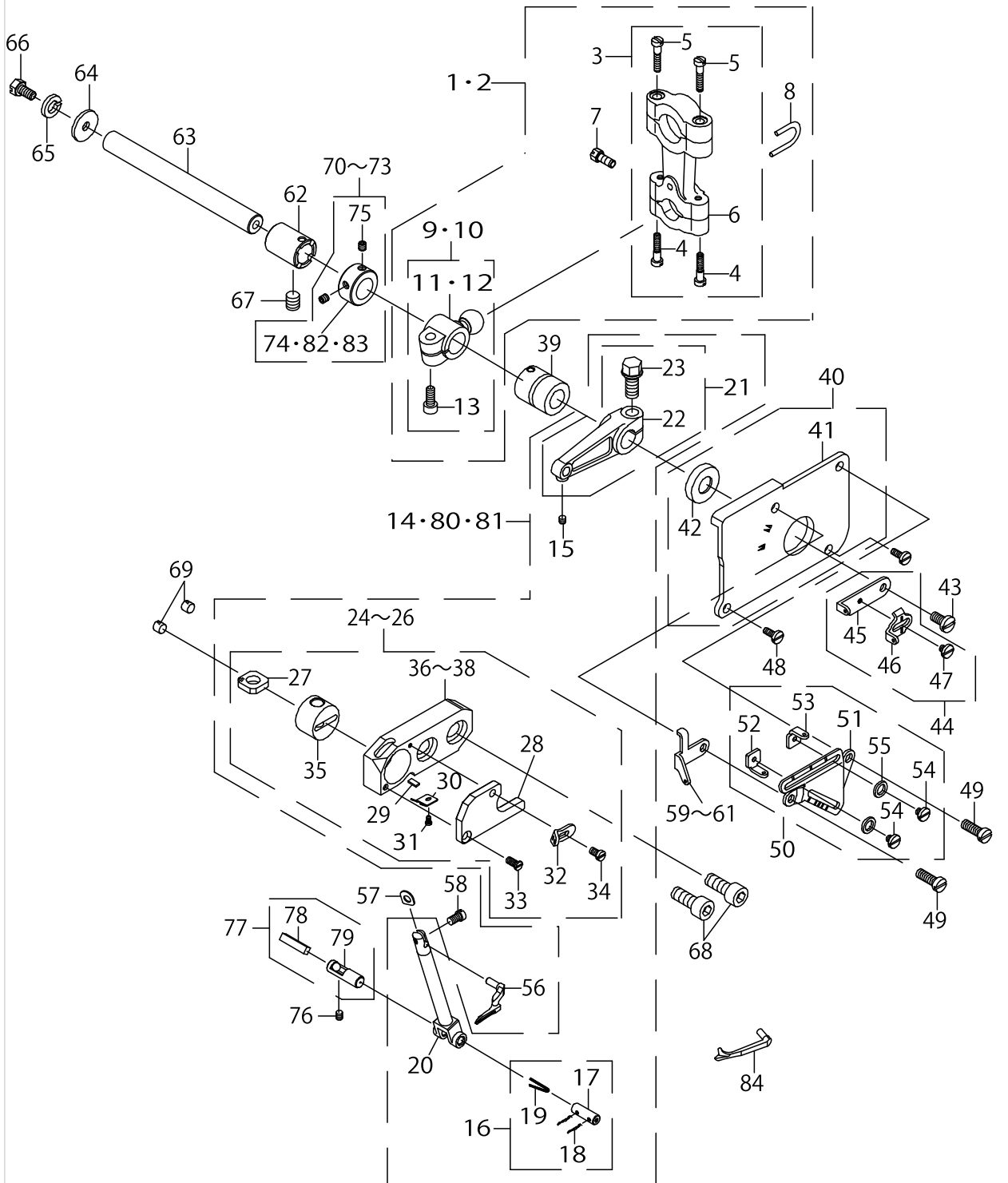


THREAD TENSION COMPONENTS

No.	Supply Code	Parts No.	Replacement	Parts name	Remarks	Choice	Step	Level	Cons	Qty	Rep. QTY
86		70000513		E_SCREW						1	
87		40159641		THREAD TENSION COMB.(Y)						3	
88		40159632		THREAD TENSION SHAFT				*		1	
89		40159634		SLEEVE				*		1	
90		40159624		SPRING				*		1	
91		40159636		FIXED RING				*		1	
92		40178550		THREAD TENSION KNOB.(Y)				*		1	
93		40159642		THREAD TENSION COMB.						2	
94		40159632		THREAD TENSION SHAFT				*		1	
95		40159634		SLEEVE				*		1	
96		40159624		SPRING				*		1	
97		40159636		FIXED RING				*		1	
98		40178549		THREAD TENSION KNOB.(G)				*		1	
99		40159642		THREAD TENSION COMB.(G)						1	
100		40159656		THREAD TENSION COMB.(G1)	FOR 14S-4-4H,16S-50H					1	
101		40159632		THREAD TENSION SHAFT				*		1	
102		40159634		SLEEVE				*		1	
103		40159624		SPRING				*		1	
104		40159657		SPRING				*		1	
105		40159636		FIXED RING	FOR 14S-4-4H,16S-50H			*		1	
106		40178549		THREAD TENSION KNOB.(G)				*		1	
107		40159643		THREAD TENSION COMB.(Y1)						3	
108		40178550		THREAD TENSION KNOB.(Y)				*		1	
109		40159632		THREAD TENSION SHAFT				*		1	
110		40159634		SLEEVE				*		1	
111		70000211		SPRING				*		1	
112		40159636		FIXED RING				*		1	
113		40164056		THREAD TAKE-UP LEVER	FOR 14S-30P					1	
114		40172527		THREAD CROSSING	FOR 16S			*		1	

UPPER LOOPER COMPONENTS

MODEL	04S/16S	14S/43S	14S-44H	16S-50H
PARTS NO	73	72	70	71 + 72
	12	11	11	12
	10	9	9	10
	2	1	1	2
	36	37	38	36
	24	25	26	24
		59		61
	14	80	81	14
	82	83	74	83

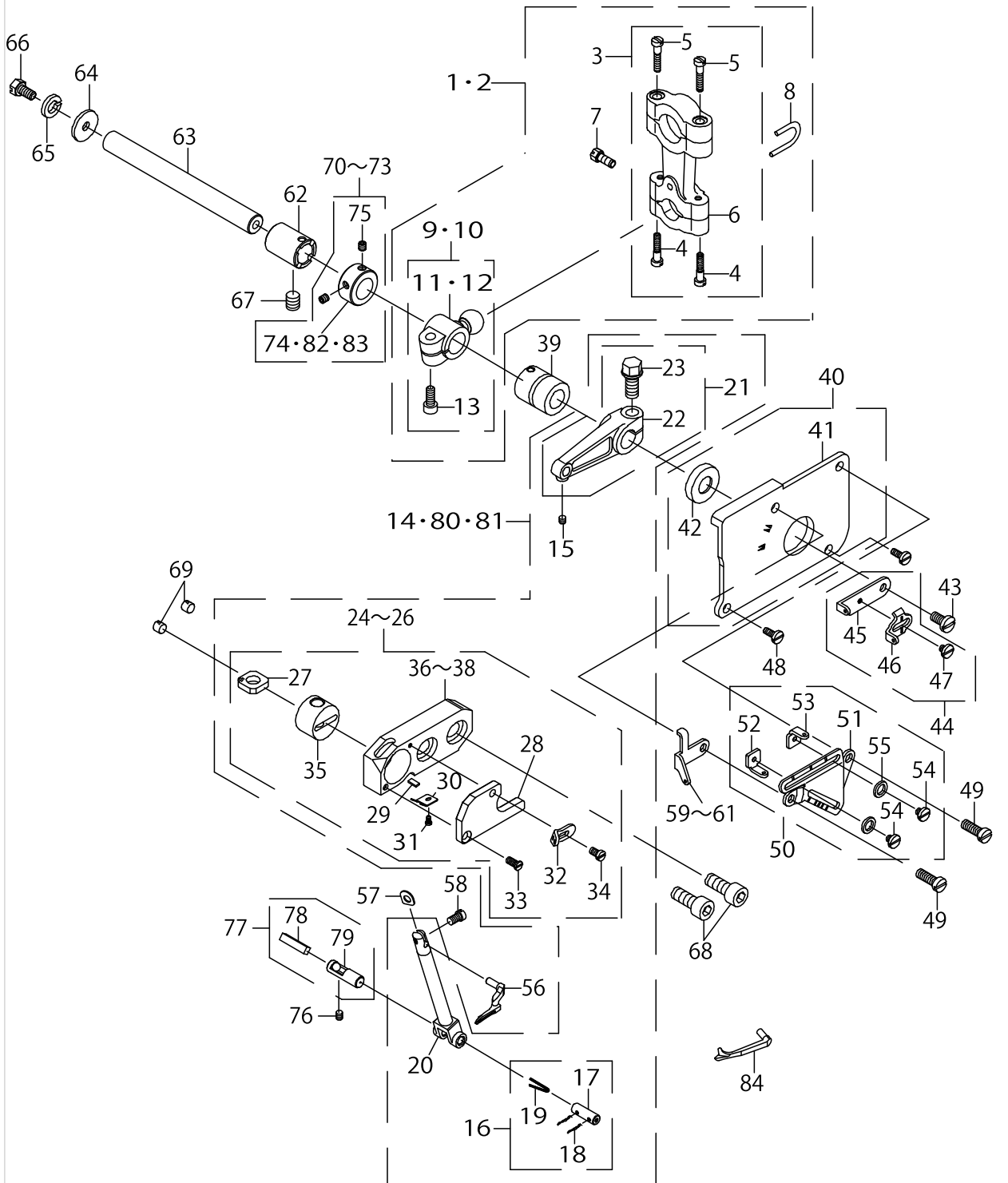


UPPER LOOPER COMPONENTS

No.	Supply Code	Parts No.	Replacement	Parts name	Remarks	Choice	Step	Level	Cons	Qty	Rep. QTY
1		40159686		BALL CONNECTING ROD COMB.	FOR 14S,4-3S,14S-44H					1	
2		40159687		BALL CONNECTING ROD COMB.	FOR 04S,1-6S,16S-50H					1	
3		40179596		CONNECTING ROD				*		1	
4		40179597		E_SCREW				*		2	
5		40179597		E_SCREW				*		2	
6		40178084		BALL CONNECTING ROD				*		1	
7		70000545		E_SCREW				*		1	
8		40159684		FIXED JAW				*		1	
9		70000254		BALL CONNECTING ROD COMB.	FOR 14S,4-3S,14S-44H			*		1	
10		40159678		BALL CONNECTING ROD COMB.	FOR 04S,1-6S,16S-50H			*		1	
11		70000253		BALL CONNECTING ROD	FOR 14S,4-3S,14S-44H			*		1	
12		70000834		BALL CONNECTING ROD	FOR 04S,1-6S,16S-50H			*		1	
13		70000590		M_SCREW				*		1	
14		40159675		CONNECTING ROD SEAT COMB.	FOR 04S,16S					1	
15		70000498		E_SCREW				*		1	
16		70000251		LOOPER CONNECTING ROD PIN COMB.				*		1	
17		70000661		PIN				*		1	
18		70000728		OIL YARN				*		2	
19		70000729		OIL WICK				*		1	
20		40172535		LOOPER CONNECTING ROD				*		1	
21		70000240		CONNECTING ROD COMB.				*		1	
22		70000239		CONNECTING ROD				*		1	
23		70000593		M_SCREW				*		1	
24		40159675		CONNECTING ROD SEAT COMB.	FOR 04S,1-6S,16S-50H			*		1	
25		40159681		CONNECTING ROD SEAT COMB.	FOR 14S,43S			*		1	
26		40159682		CONNECTING ROD SEAT COMB.	FOR 14S-44H			*		1	
27		70000678		OIL WICK				*		1	
28		70000243		FIXED PLATE				*		1	
29		40159671		OIL FELT				*		1	
30		40159672		FELT COVER				*		1	
31		70000538		E_SCREW				*		1	
32		70000193		THREAD CROSSING				*		1	
33		70000560		E_SCREW				*		1	
34		40159674		E_SCREW				*		1	
35	R	70000241	70000836	LOOPER GUIDE SHAFT		A	for3NEEDLE	*		1	1.00
35	R	70000241	70000837	LOOPER GUIDE SHAFT		B	for4NEEDLE	*		1	1.00
35	R	70000241	70000245	LOOPER GUIDE SHAFT		C	for5NEEDLE	*		1	1.00
36		40159673		CONNECTING ROD SEAT	FOR 04S,1-6S,16S-50H			*		1	
37		40159679		CONNECTING ROD SEAT	FOR 14S,43S			*		1	
38		40159680		CONNECTING ROD SEAT	FOR 14S-44H			*		1	
39		70000248		BUSHING						1	
40		70000749		COVER						1	
41		70000748		COVER				*		1	

UPPER LOOPER COMPONENTS

MODEL	04S/16S	14S/43S	14S-44H	16S-50H
PARTS NO	73	72	70	71 + 72
	12	11	11	12
	10	9	9	10
	2	1	1	2
	36	37	38	36
	24	25	26	24
		59		61
	14	80	81	14
	82	83	74	83



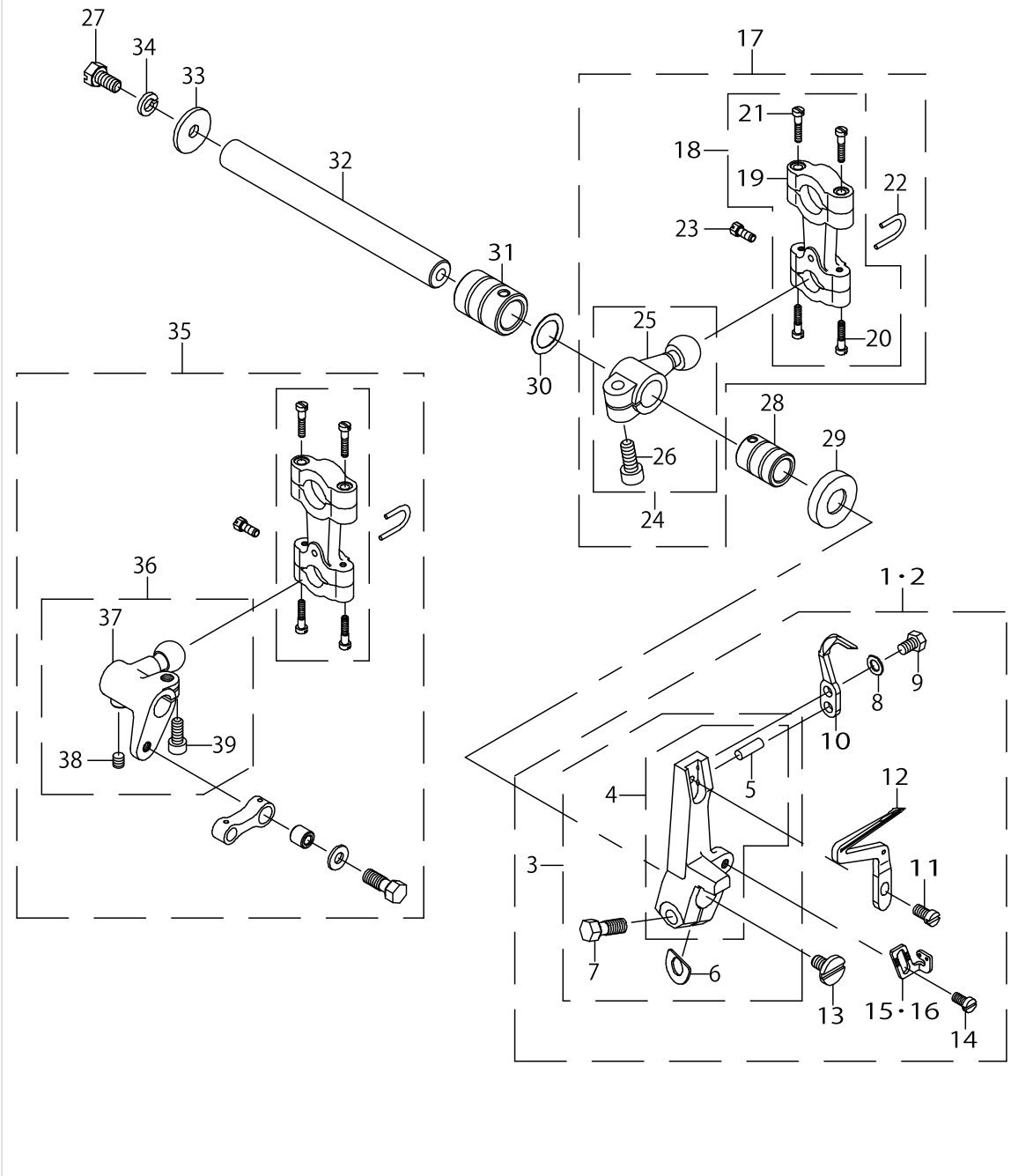
UPPER LOOPER COMPONENTS

No.	Supply Code	Parts No.	Replacement	Parts name	Remarks	Choice	Step	Level	Cons	Qty	Rep. QTY
42		7000268		OIL SEAL				*		1	
43		7000515		E_SCREW						1	
44		7000202		THREAD CROSSING COMB.						1	
45		7000197		THREAD CROSSING				*		1	
46		7000198		THREAD CROSSING				*		1	
47		7000501		E_SCREW				*		1	
48		7000521		E_SCREW						2	
49		7000521		E_SCREW						2	
50		7000201		GRADUATED PLATE COMB.						1	
51		7000194		FIXED PLATE				*		1	
52		7000200		THREAD CROSSING				*		1	
53		7000195		THREAD CROSSING				*		1	
54		7000501		E_SCREW				*		2	
55		7000350		WASHER				*		2	
56		*****		LOOPER	REFER "M-O-6800S G-AUGE TABLE					1	
57		40159670		WASHER						1	
58		7000504		E_SCREW						1	
59		7000196		THREAD CROSSING	FOR 04S,1-4S,16S,43S					1	
60		7000812		THREAD GUIDE	FOR 14S-44H					1	
61		40159683		THREAD GUIDE	FOR 16S-50H					1	
62		7000247		BUSHING						1	
63		7000246		ARBOR COMB.						1	
64		7000342		GASKET						1	
65		7000613		WASHER						1	
66		7000517		E_SCREW						1	
67		7000522		E_SCREW						1	
68		7000587		M_SCREW						2	
69		7000679		OIL WICK						2	
70		40159666		COLLAR COMB.	FOR 14S-44H					1	
71		7000807		COLLAR COMB.	FOR 16S-50H					1	
72		40159676		COLLAR COMB.	FOR 14S,4-3S,16S-50H					1	
73		40159677		COLLAR COMB.	FOR 04S,16S					1	
74		40159665		COLLAR	FOR 14S-44H			*		1	
75		7000522		E_SCREW				*		2	
76		7000522		E_SCREW						1	
77		40159669		OIL TUBE						1	
78		40159668		OIL WICK				*		1	
79		40159667		OIL TUBE				*		1	
80		40159681		CONNECTING ROD SEAT COMB.	FOR 14S,43S					1	
81		40159682		CONNECTING ROD SEAT COMB.	FOR 14S-44H					1	
82		40177859		COLLAR	FOR 04S,16S			*		1	
83		40159715		COLLAR	FOR 14S,4-3S,16S-50H			*		1	
84		40176583		LOOPER	OPTIONAL PARTS					1	



LOWER LOOPER COMPONENTS

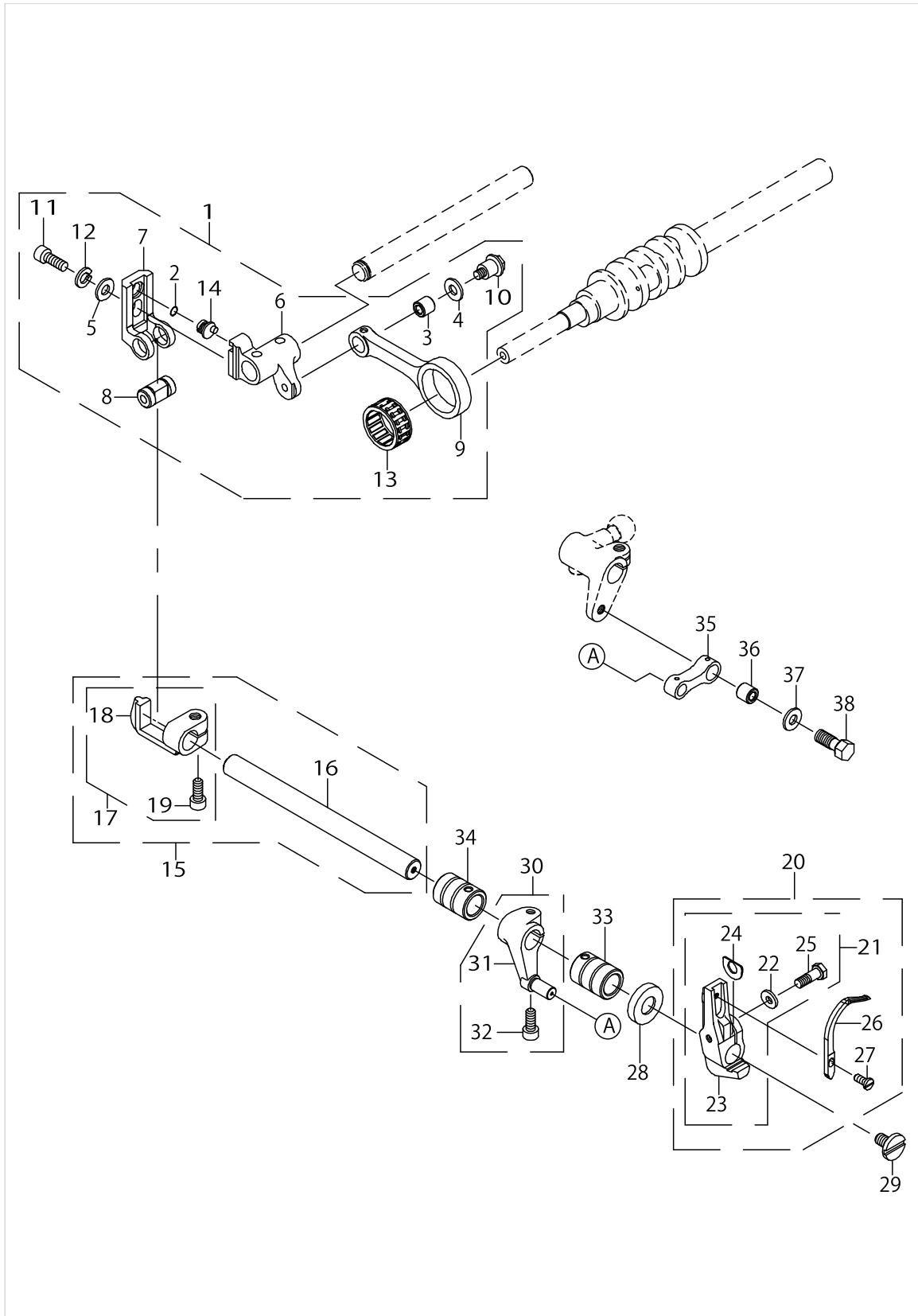
MODEL	04S/14S	16S/43S	16S-50H
PARTS NO	15	16	
	1	2	
	25	37	
	24	38	
	17	36	



LOWER LOOPER COMPONENTS

No.	Supply Code	Parts No.	Replacement	Parts name	Remarks	Choice	Step	Level	Cons	Qty	Rep. QTY
1		40159692		LOOPER HOLDER COMB.	FOR 04S,1-4S,16S,43S					1	
2		40159694		LOOPER HOLDER COMB.	FOR 16-50H					1	
3		70000407		LOOPER HOLDER				*		1	
4		70000406		LOOPER HOLDER				*		1	
5		70000667		PIN				*		1	
6		70000380		GASKET				*		1	
7		70000531		E_SCREW				*		1	
8		70000751		WASHER				*		1	
9		70000511		E_SCREW				*		1	
10		70000175		EJECTOR PLATE				*		1	
11		70000505		E_SCREW				*		1	
12		70000405		LOOPER				*		1	
13		70000525		E_SCREW				*		1	
14		70000506		E_SCREW				*		1	
15		70000199		THREAD GUIDE PLATE	FOR 04S,1-4S,16S,43S			*		1	
16		40159693		THREAD GUIDE PLATE	FOR 16-50H			*		1	
17		40159689		BALL CONNECTING ROD COMB.	FOR 04S,14S					1	
18		40179596		CONNECTING ROD				*		1	
19		40178084		BALL CONNECTING ROD				*		1	
20		40179597		E_SCREW				*		2	
21		40179597		E_SCREW				*		2	
22		40159684		FIXED JAW				*		1	
23		70000545		E_SCREW				*		1	
24		70000415		BALL CONNECTING ROD	FOR 04S,14S			*		1	
25		70000413		BALL CONNECTING ROD	FOR 04S,14S			*		1	
26		70000590		M_SCREW				*		1	
27		70000517		E_SCREW						1	
28		70000410		BUSHING						1	
29		70000270		OIL SEAL						1	
30		70000752		WASHER						1	
31		70000410		BUSHING						1	
32		70000409		ARBOR						1	
33		70000343		GASKET						1	
34		70000614		WASHER						1	
35		40159690		BALL CONNECTING ROD COMB.	FOR 16S,43S					1	
36		70000416		BALL CONNECTING ROD	FOR 16S,43S			*		1	
37		70000414		BALL CONNECTING ROD	FOR 16S,43S			*		1	
38		70000522		E_SCREW	FOR 16S,43S			*		1	
39		70000590		M_SCREW				*		1	

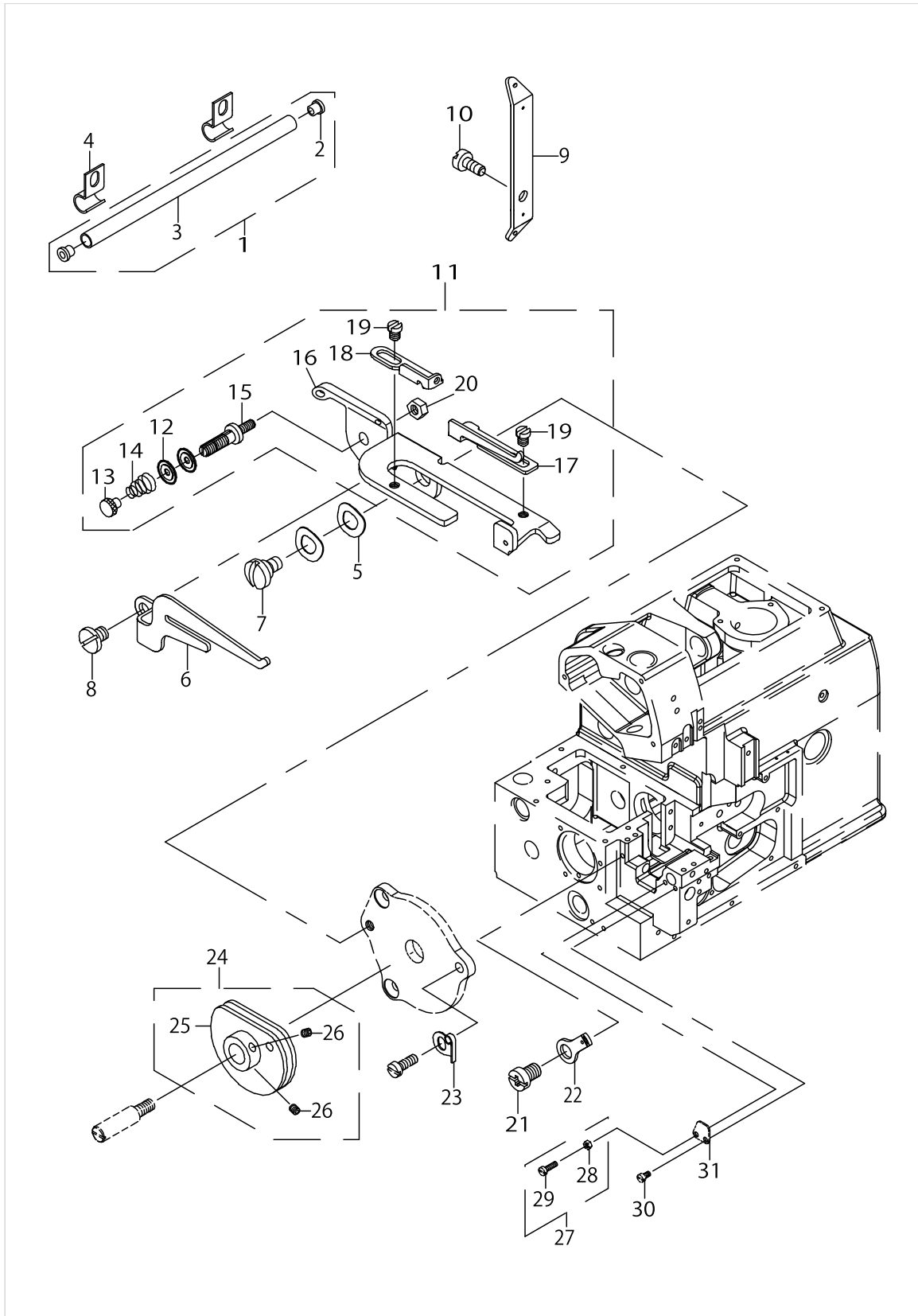
CHAIN LOOPER COMPONENTS (1)



CHAIN LOOPER COMPONENTS (1)

No.	Supply Code	Parts No.	Replacement	Parts name	Remarks	Choice	Step	Level	Cons	Qty	Rep. QTY
1		70000479		CONNECTING ROD COMB.						1	
2		70000139		O-RING				*		1	
3		70000317		BUSHING				*		1	
4		70000346		GASKET				*		1	
5		70000357		WASHER				*		1	
6		70000463		ADJUSTING SEAT				*		1	
7		70000464		ADJUSTING SEAT				*		1	
8		70000467		SHAFT				*		1	
9		70000478		CONNECTING ROD				*		1	
10		70000514		E_SCREW				*		1	
11		70000561		E_SCREW				*		1	
12		70000616		WASHER				*		1	
13		70000697		BEARING				*		1	
14		70000703		ECCENTRIC				*		1	
15		70000465		SLIDE BLOCK GUIDE						1	
16		70000461		SHAFT				*		1	
17		70000466		SLIDE BLOCK GUIDE				*		1	
18		70000462		SLIDE BLOCK GUIDE				*		1	
19		70000590		M_SCREW				*		1	
20		70000475		LOOPER COMB.						1	
21		70000476		LOOPER HOLDER				*		1	
22		70000351		WASHER				*		1	
23		70000474		LOOPER HOLDER				*		1	
24		70000380		GASKET				*		1	
25		70000531		E_SCREW				*		1	
26		70000473		LOOPER				*		1	
27		70000508		E_SCREW				*		1	
28		70000270		OIL SEAL						1	
29		70000525		SCREW						1	
30		70000471		LOOPER CONNECTING ROD						1	
31		70000470		LOOPER CONNECTING ROD				*		1	
32		70000590		M_SCREW				*		1	
33		70000477		BUSHING						1	
34		70000410		BUSHING						1	
35		70000472		CONNECTING ROD						1	
36		70000317		BUSHING						1	
37		70000346		GASKET						1	
38		70000514		E_SCREW						1	

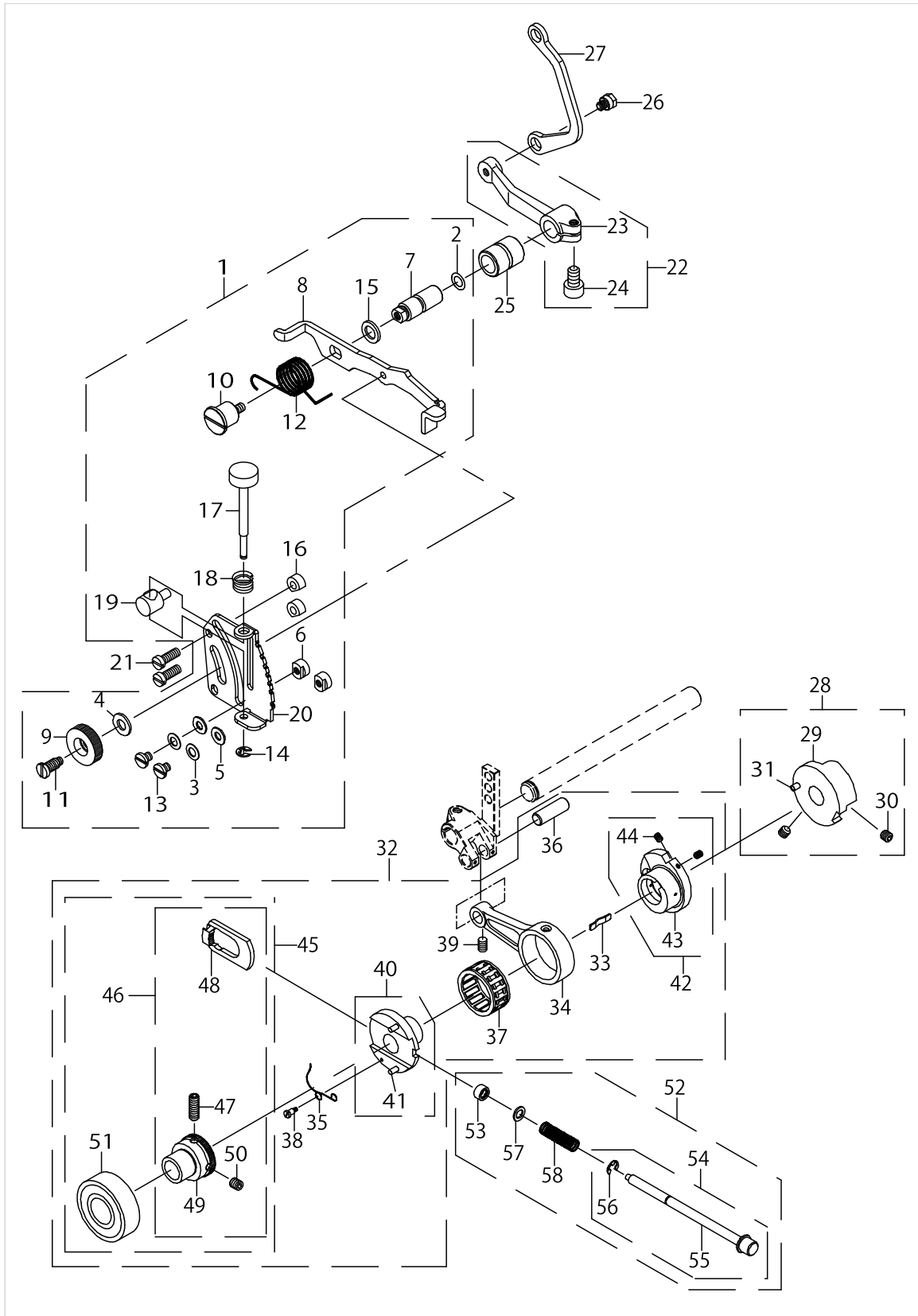
CHAIN LOOPER COMPONENTS (2)



CHAIN LOOPER COMPONENTS (2)

No.	Supply Code	Parts No.	Replacement	Parts name	Remarks	Choice	Step	Level	Cons	Qty	Rep. QTY
1		70000397		DUCT COMB.						1	
2		70000172		PLUG				*		2	
3		70000396		DUCT				*		1	
4		70000398		FIXED PLATE						2	
5		70000359		WASHER						2	
6		70000387		THREAD GUIDE PLATE						1	
7		70000519		E_SCREW						1	
8		70000576		M_SCREW						1	
9		70000384		THREAD CROSSING						1	
10		70000513		E_SCREW						1	
11		70000391		THREAD TAKE-UP DEVICE						1	
12		70000392		THREAD GRIP				*		2	
13		70000393		THREAD TENSION KNOB				*		1	
14		70000394		SPRING				*		1	
15		70000395		THREAD TENSION SHAFT				*		1	
16		70000388		BRACKET				*		1	
17		70000389		THREAD GUIDE PLATE				*		1	
18		70000390		THREAD GUIDE PLATE				*		1	
19		70000571		M_SCREW				*		2	
20		70000452		NUT				*		1	
21		70000557		E_SCREW						1	
22		70000383		THREAD GUIDE PLATE						1	
23		70000448		SPRING PLATE						1	
24		70000386		THREAD TENSION CAM						1	
25		70000385		THREAD TENSION CAM				*		1	
26		70000498		E_SCREW				*		2	
27		70000453		NUT						1	
28		70000452		NUT				*		1	
29		70000563		E_SCREW				*		1	
30		70000518		E_SCREW						1	
31		70000610		FIXED PLATE						1	

FEED MECHANISM COMPONENTS (1)

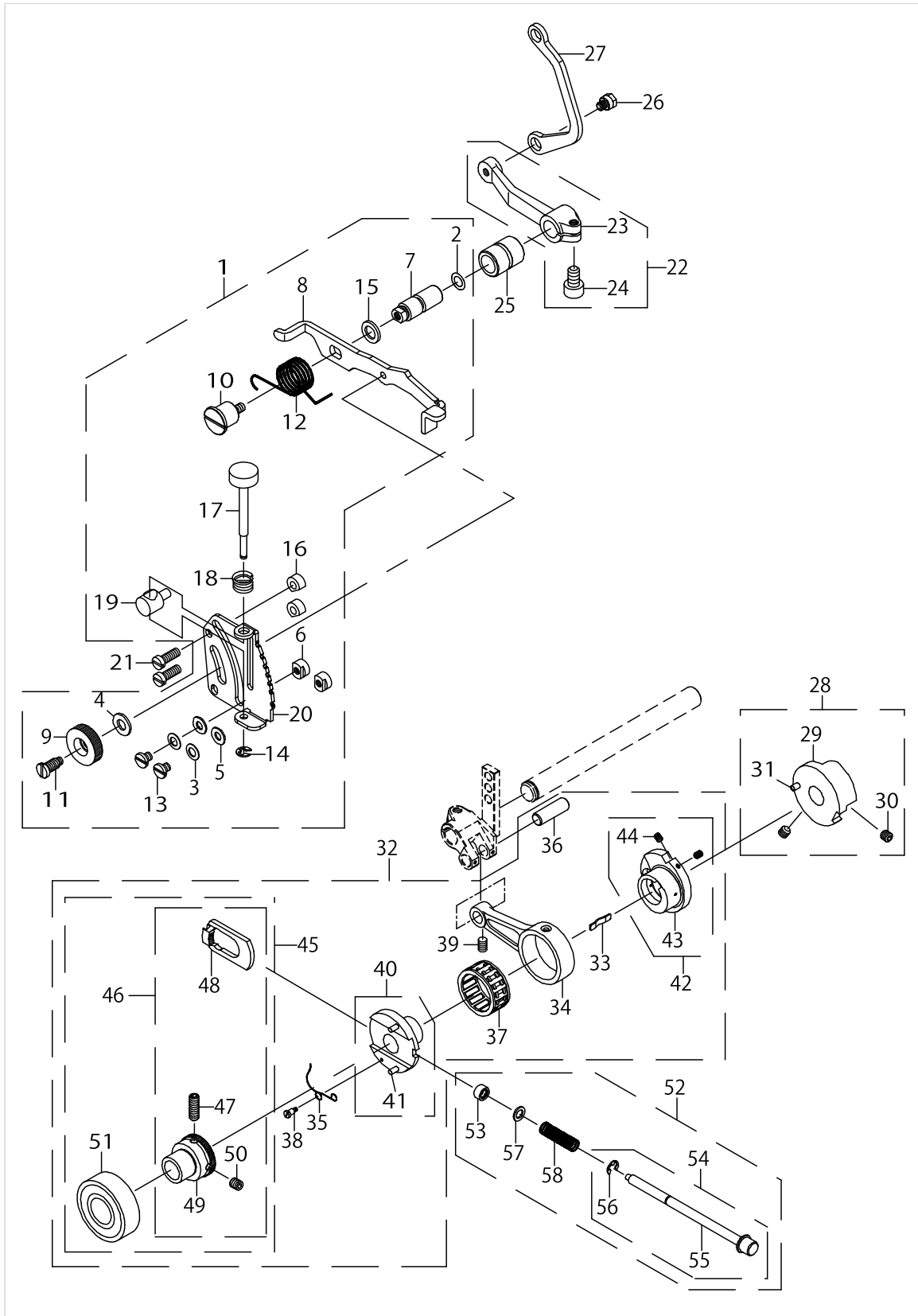


FEED MECHANISM COMPONENTS (1)

No.	Supply Code	Parts No.	Replacement	Parts name	Remarks	Choice	Step	Level	Cons	Qty	Rep. QTY
1		40159707		FEED DOG SEAT COMB.						1	
2		70000140		O-RING				*		1	
3		70000344		GASKET				*		2	
4		70000345		WASHER				*		1	
5		70000349		WASHER				*		2	
6		70000372		FIXED BLOCK				*		2	
7		70000373		ADJUSTING SEAT				*		1	
8		70000379		ADJUSTING PLATE				*		1	
9		70000450		NUT				*		1	
10		70000495		SCREW				*		1	
11		70000542		E_SCREW				*		1	
12		70000601		SPRING				*		1	
13		70000512		E_SCREW				*		2	
14		70000131		E_CIRCLIPS				*		1	
15		70000353		WASHER				*		1	
16		40159702		SPACER				*		2	
17		40159703		ADJUSTING SCREW				*		1	
18		40159704		SPRING				*		1	
19		40159705		BLOCK				*		1	
20		40159706		FEED DOG SEAT				*		1	
21		70000523		E_SCREW						2	
22		70000370		DIFFERENTIAL CON- NECTING ROD ASM.						1	
23		70000369		DIFFERENTIAL CONNECTING ROD				*		1	
24		70000590		M_SCREW				*		1	
25		40159700		BUSHING						1	
26		70000552		E_SCREW						1	
27		40159701		CONNECTING ROD						1	
28		70000276		ADJUSTING WHEEL						1	
29		70000275		ADJUSTING WHEEL				*		1	
30		70000582		M_SCREW				*		2	
31		70000666		PIN				*		1	
32		40159709		CONNECTING ROD COMB.						1	
33		70000162		SPRING PLATE				*		1	
34		70000277		CONNECTING ROD				*		1	
35		70000602		SPRING				*		1	
36		70000662		PIN				*		1	
37		70000698		BEARING				*		1	
38		40159629		M_SCREW				*		1	
39		70000503		E_SCREW				*		1	
40		70000282		ECCENTRIC				*		1	
41		70000665		PIN				*		2	
42		70000289		ECCENTRIC				*		1	
43		70000288		ECCENTRIC				*		1	
44		70000502		E_SCREW				*		2	
45		70000741		ADJUSTING WHEEL COMB.				*		1	
46		70000740		ADJUSTING WHEEL				*		1	



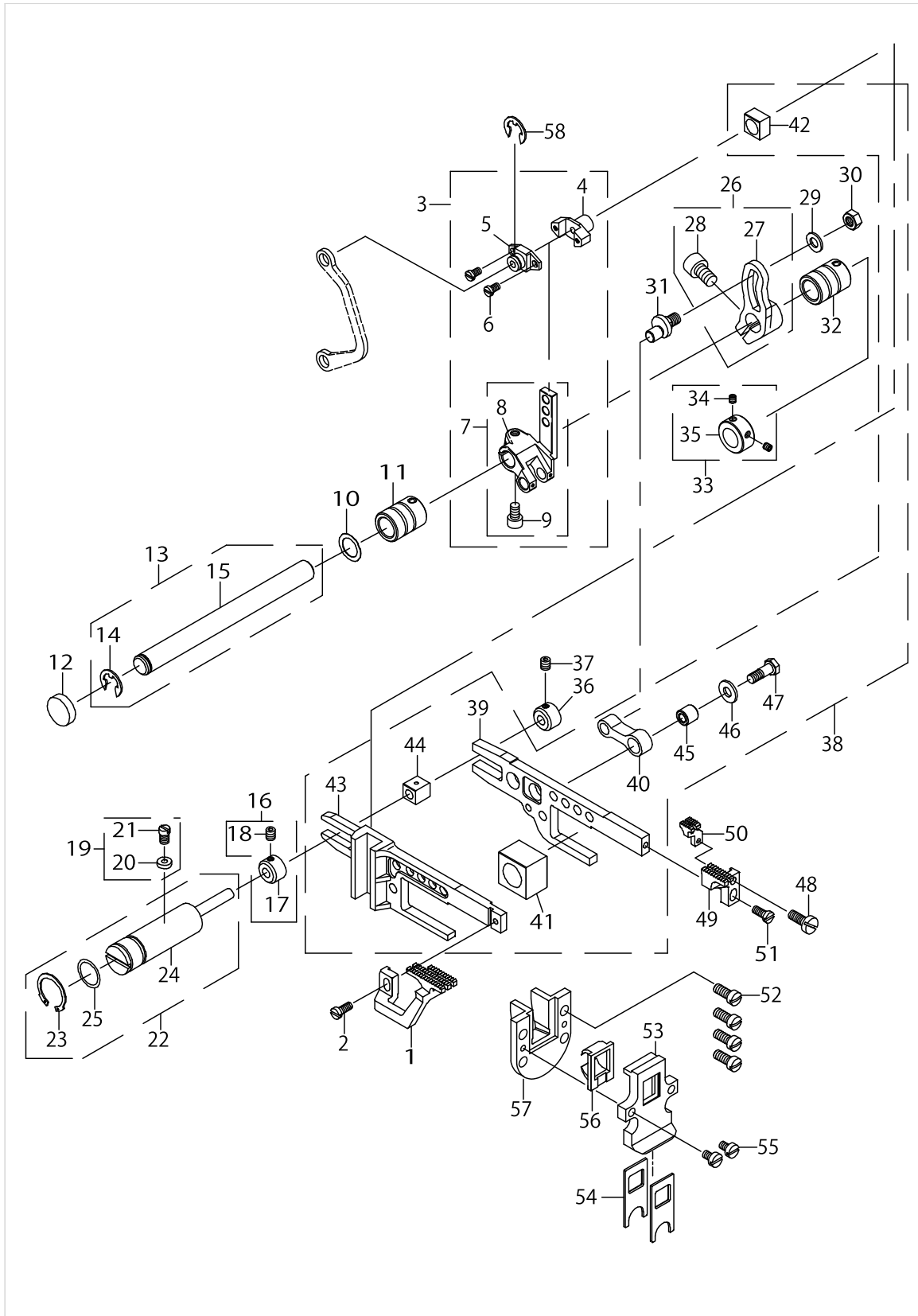
FEED MECHANISM COMPONENTS (1)



FEED MECHANISM COMPONENTS (1)

No.	Supply Code	Parts No.	Replacement	Parts name	Remarks	Choice	Step	Level	Cons	Qty	Rep. QTY
47		70000583		M_SCREW				*		1	
48	R	70000738	70000741	SLIDE BLOCK				*		1	1.00
49		70000739		ADJUSTING WHEEL				*		1	
50		70000582		M_SCREW				*		1	
51	R	70000694	70000741	BEARING				*		1	1.00
52		70000284		SHAFT COMB.				*		1	
53		70000137		O-RING				*		1	
54		70000286		SHAFT				*		1	
55		70000283		SHAFT				*		1	
56		70000131		E_CIRCLIPS				*		1	
57		70000358		WASHER				*		1	
58		70000600		SPRING				*		1	

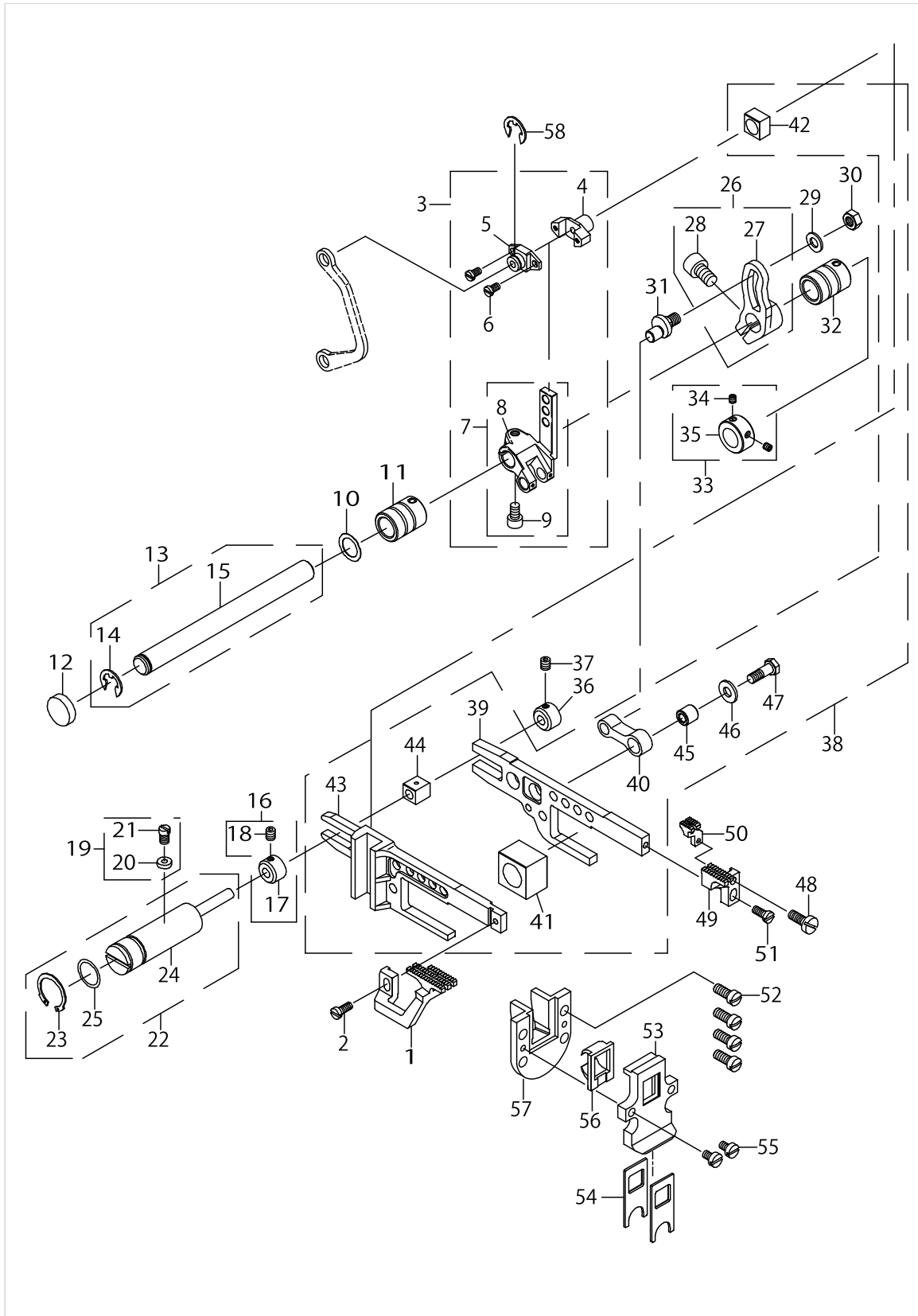
FEED MECHANISM COMPONENTS (2)



FEED MECHANISM COMPONENTS (2)

No.	Supply Code	Parts No.	Replacement	Parts name	Remarks	Choice	Step	Level	Cons	Qty	Rep. QTY
1		*****		FEED DOG	REFER "M-O-6800S G-AUGE TABLE					1	
2		70000509		E_SCREW						1	
3		70000683		CRANK COMB.						1	
4		70000374		ROCKING SEAT				*		1	
5		70000375		ROCKING SEAT				*		1	
6		70000558		E_SCREW				*		2	
7		70000684		CRANK				*		1	
8		70000681		CRANK				*		1	
9		70000590		M_SCREW				*		1	
10		70000361		WASHER						1	
11		70000280		BUSHING						1	
12		70000446		OIL SEAL						1	
13		40159717		ECCENTRIC SHAFT COMB.						1	
14		70000133		E_CIRCLIPS				*		1	
15		40159716		ECCENTRIC SHAFT				*		1	
16		70000435		COLLAR						1	
17	R	70000433	70000435	COLLAR				*		1	1.00
18		70000522		E_SCREW				*		1	
19		70000147		OIL SEAL COMB.						1	
20		70000138		OIL SEAL				*		1	
21		70000548		E_SCREW				*		1	
22		70000734		ECCENTRIC SHAFT						1	
23		70000135		E_CIRCLIPS				*		1	
24		70000733		ECCENTRIC SHAFT				*		1	
25		70000141		O-RING				*		1	
26		70000685		CRANK						1	
27		70000682		CRANK				*		1	
28		70000590		M_SCREW				*		1	
29		70000356		WASHER						1	
30		70000458		NUT						1	
31		70000688		ADJUSTING SHAFT						1	
32		70000410		BUSHING						1	
33		40159676		COLLAR						1	
34		70000522		E_SCREW				*		2	
35		40159715		COLLAR				*		1	
36	R	70000433	70000435	COLLAR						1	1.00
37		70000522		E_SCREW						1	
38		70000731		FEED DOG SEAT COMB.						1	
39		70000422		FEED DOG SEAT				*		1	
40		70000423		CONNECTING ROD				*		1	
41	R	70000429	70000731	SLIDE BLOCK				*		1	1.00
42	R	70000686	70000731	SLIDE BLOCK				*		1	1.00
43	R	70000689	70000731	FEED DOG SEAT				*		1	1.00
44		70000732		SLIDE BLOCK				*		1	
45		70000317		BUSHING				*		1	

FEED MECHANISM COMPONENTS (2)

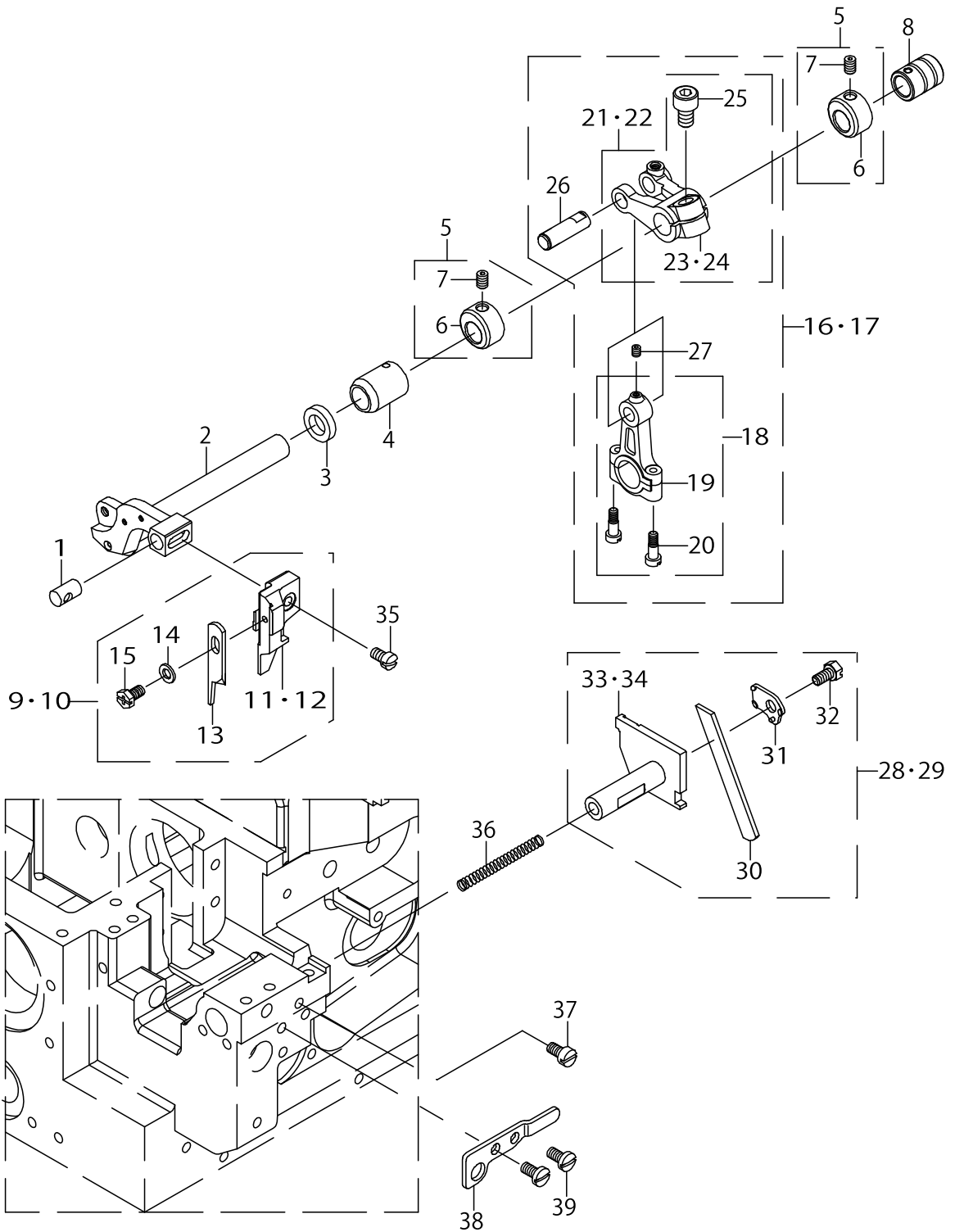


FEED MECHANISM COMPONENTS (2)

No.	Supply Code	Parts No.	Replacement	Parts name	Remarks	Choice	Step	Level	Cons	Qty	Rep. QTY
46		70000346		GASKET				*		1	
47		70000514		E_SCREW				*		1	
48		70000572		M_SCREW						1	
49		*****		FEED DOG	REFER "M-O-6800S G-AUGE TABLE					1	
50		*****		FEED DOG	REFER "M-O-6800S G-AUGE TABLE					1	
51		70000509		E_SCREW						1	
52		70000530		E_SCREW						4	
53		70000151		OIL SCRAPER HOLDER						1	
54		70000152		OIL SEAL						2	
55		70000508		E_SCREW						2	
56		40159718		OIL SEAL						1	
57		40159719		SLIDE BLOCK						1	
58		70000132		E_CIRCLIPS						1	

KNIFE COMPONENTS

MODEL	04S/14S	16S/43S
PARTS NO	23	24
	21	22
	16	17
	11	12
	9	10
	33	34
	28	29

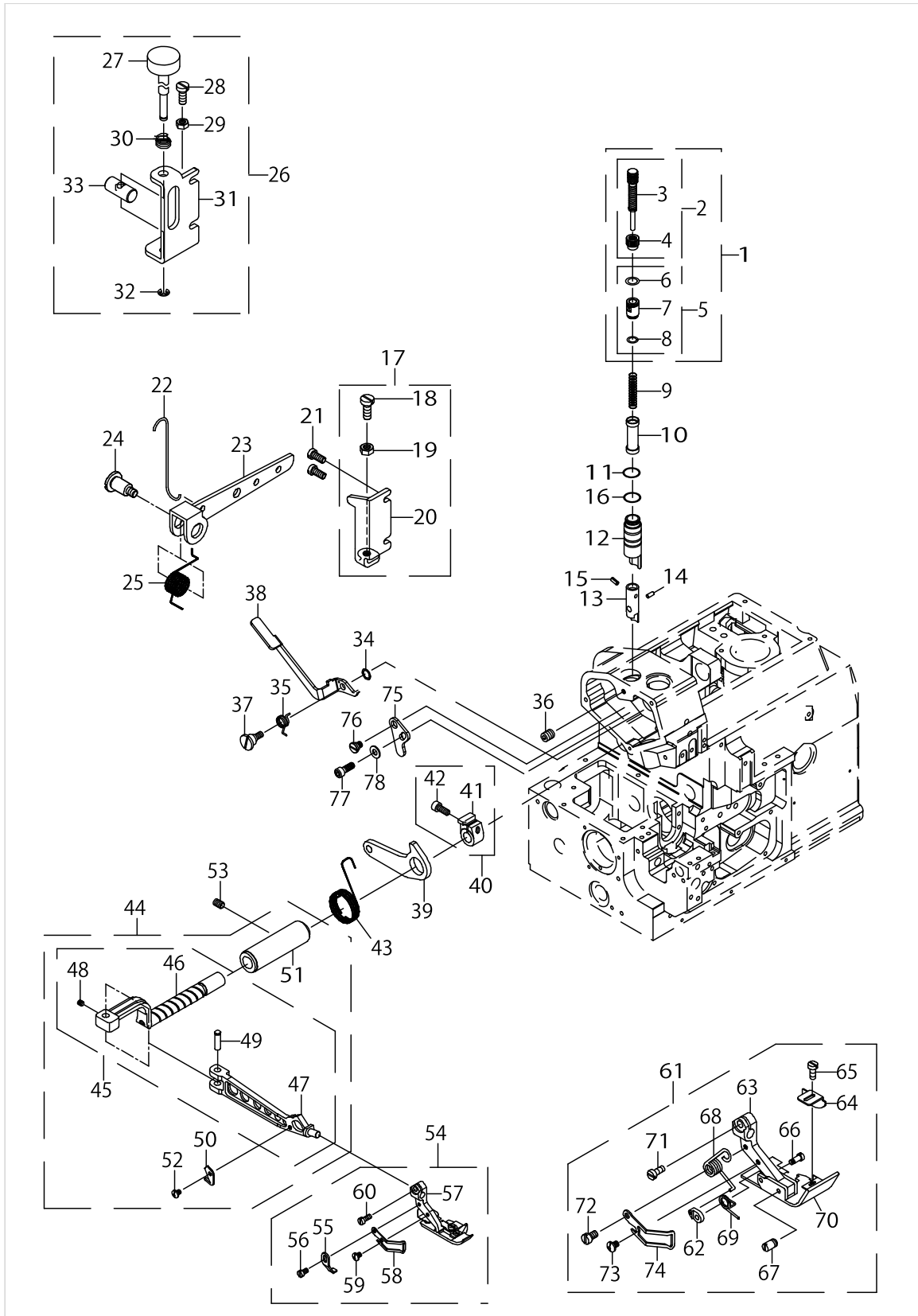


KNIFE COMPONENTS

No.	Supply Code	Parts No.	Replacement	Parts name	Remarks	Choice	Step	Level	Cons	Qty	Rep. QTY
1		70000230		SHAFT						1	
2		70000235		SWING AXLE						1	
3		70000269		OIL SEAL						1	
4		70000237		BUSHING						1	
5		70000436		COLLAR						2	
6		70000434		COLLAR				*		2	
7		70000522		E_SCREW				*		2	
8		70000236		BUSHING						1	
9		40178003		KNIFE SEAT COMB.	FOR 04S,14S					1	
10		40159734		KNIFE SEAT COMB	FOR 16S,43S					1	
11		40172528		KNIFE SEAT	FOR 04S,14S			*		1	
12		40172529		KNIFE SEAT	FOR 16S,43S			*		1	
13		70000229		KNIFE				*		1	
14		70000347		GASKET				*		1	
15		70000510		E_SCREW				*		1	
16		40159729		CONNECTING ROD	FOR 04S,14S					1	
17		40159732		CONNECTING ROD	FOR 16S,43S					1	
18	D	40159728		CONNECTING ROD				*		1	
19		40159727		CONNECTING ROD				*		1	
20		70000578		M_SCREW				*		2	
21		70000721		ROCKING BAR	FOR 04S,14S			*		1	
22		70000842		ROCKING BAR COMB.	FOR 16S,43S			*		1	
23		70000720		ROCKING BAR	FOR 04S,14S			*		1	
24		70000841		ROCKING BAR	FOR 16S,43S			*		1	
25		70000590		M_SCREW				*		1	
26		40159726		PIN				*		1	
27		70000522		E_SCREW				*		1	
28		70000402		KNIFE SEAT COMB.	FOR 04S,14S					1	
29		70000845		KNIFE SEAT COMB.	FOR 16S,43S					1	
30		70000399		KNIFE				*		1	
31		70000400		FIXED PLATE				*		1	
32		70000517		E_SCREW				*		1	
33		70000403		KNIFE SEAT	FOR 04S,14S			*		1	
34		70000813		KNIFE SEAT	FOR 16S,43S			*		1	
35		70000521		E_SCREW						1	
36		70000603		SPRING						1	
37		70000524		E_SCREW						1	
38		70000401		FIXED PLATE						1	
39		70000515		E_SCREW						2	



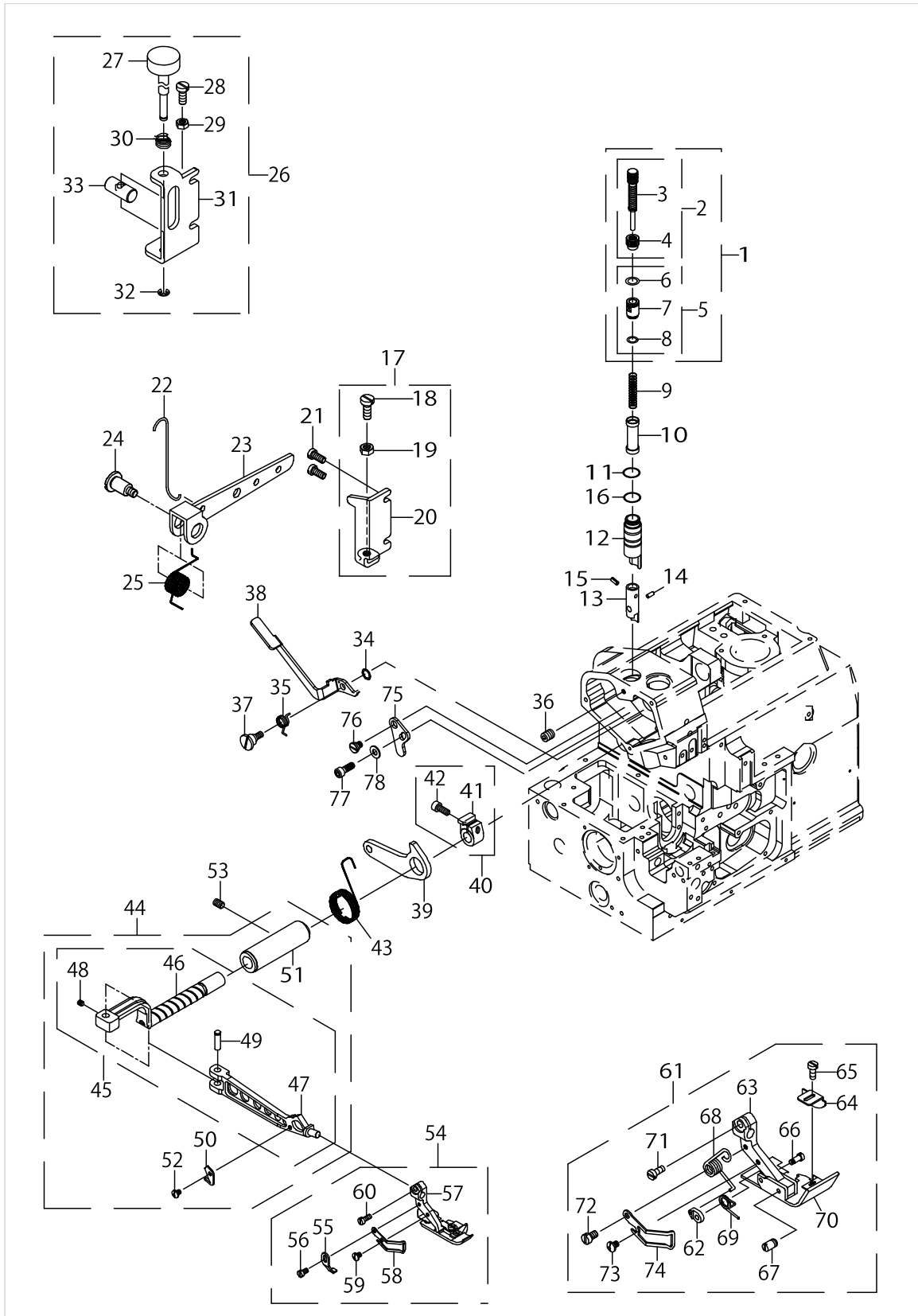
PRESSER FOOT COMPONENTS



PRESSER FOOT COMPONENTS

No.	Supply Code	Parts No.	Replacement	Parts name	Remarks	Choice	Step	Level	Cons	Qty	Rep. QTY
1		40159745		SCREW ROD COMB.						1	
2		40159746		SCREW ROD COMB.				*		1	
3		40159741		SCREW ROD				*		1	
4	D	40159742		NUT				*		1	
5		40159744		FIXED BUTTON				*		1	
6		70000141		O-RING				*		1	
7		40159743		FIXED BUTTON				*		1	
8		70000142		O-RING				*		1	
9		70000608		SPRING						1	
10		40159753		THIMBLE						1	
11		70000142		O-RING						1	
12		40170670		PRESSER FOOT ARM						1	
13		70000309		SLIDER						1	
14		70000664		SHAFT						1	
15		70000669		PIN						1	
16		70000141		O-RING						1	
17		70000293		SUPPORTER						1	
18		70000584		M_SCREW				*		1	
19		70000458		NUT				*		1	
20		70000292		STOPPER				*		1	
21		70000515		E_SCREW						2	
22		70000294		HOOK BAR						1	
23		70000295		PRESSER FOOT ARM						1	
24		70000592		M_SCREW						1	
25		70000604		SPRING						1	
26		40159749		SUPPORTER	OPTIONAL PARTS					1	
27		40159703		ADJUSTING SCREW				*		1	
28		70000584		M_SCREW				*		1	
29		70000458		NUT				*		1	
30		40159704		SPRING				*		1	
31		40159748		STOPPER				*		1	
32		70000131		E_CIRCLIPS				*		1	
33		40159750		BLOCK				*		1	
34		70000355		WASHER						1	
35		40159754		SPRING						1	
36		70000522		E_SCREW						1	
37		70000528		E_SCREW						1	
38		40159752		LEVER						1	
39		70000291		DRAG LINK						1	
40		70000302		COLLAR						1	
41		70000301		COLLAR				*		1	
42		40159751		M_SCREW				*		1	
43		70000605		SPRING						1	
44		40178006		PRESSER FOOT SEAT COMB.						1	
45		40178007		PRESSER BAR COMB.				*		1	
46		40172530		PRESSER FOOT LIFTING LEVER				*		1	

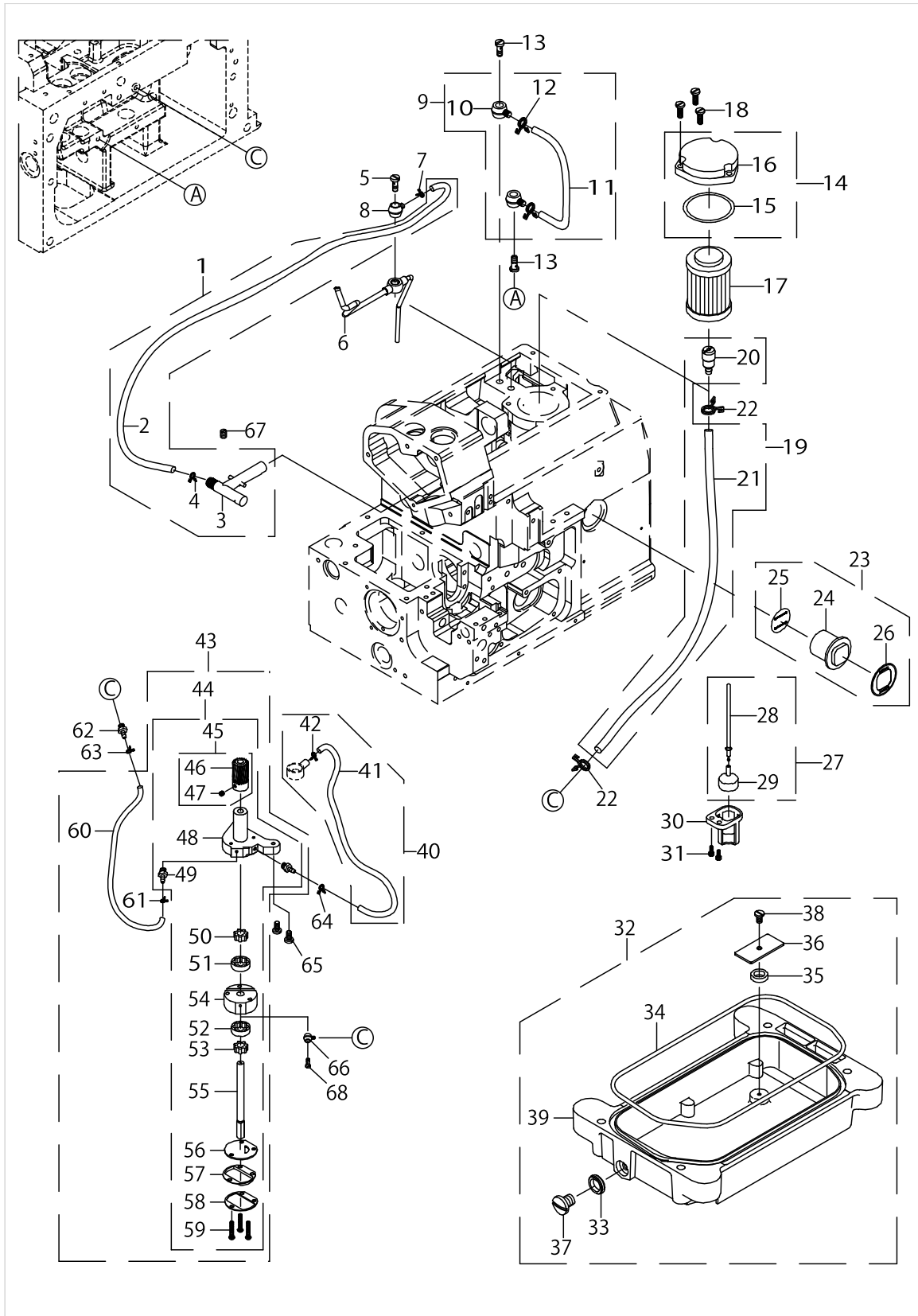
PRESSER FOOT COMPONENTS



PRESSER FOOT COMPONENTS

No.	Supply Code	Parts No.	Replacement	Parts name	Remarks	Choice	Step	Level	Cons	Qty	Rep. QTY
47		70000297		PRESSER FOOT ARM				*		1	
48		70000566		M_SCREW				*		1	
49		70000673		SHAFT				*		1	
50		70000176		KNIFE				*		1	
51		70000303		BUSHING				*		1	
52		70000538		E_SCREW				*		1	
53		70000522		E_SCREW						1	
54		*****		PRESSER FOOT	REFER "M-O-6800S G-AUGE TABLE					1	
55		70000304		FIXED PLATE				*		1	
56		70000500		E_SCREW				*		1	
57		*****		PRESSER FOOT	REFER "M-O-6800S G-AUGE TABLE			*		1	
58		70000735		FINGER GUARD				*		1	
59		70000538		E_SCREW				*		1	
60		70000505		E_SCREW				*		1	
61		*****		PRESSER FOOT	REFER "M-O-6800S G-AUGE TABLE					1	
62		70000419		LEVER				*		1	
63		70000420		PRESSER FOOT LIFTING LEVER				*		1	
64		70000480		THREAD GUIDE PLATE				*		1	
65		70000496		E_SCREW				*		1	
66		70000499		E_SCREW				*		1	
67		70000537		E_SCREW				*		1	
68		70000606		SPRING				*		1	
69		70000609		SPRING				*		1	
70		*****		PRESSER FOOT	REFER "M-O-6800S G-AUGE TABLE			*		1	
71		70000505		E_SCREW				*		1	
72		70000500		E_SCREW				*		1	
73		70000538		E_SCREW				*		1	
74		70000735		FINGER GUARD				*		1	
75		40172531		PRESSER ARM STOPPER						1	
76		40178005		E_SCREW						1	
77		70000561		E_SCREW						1	
78		70000349		WASHER						1	

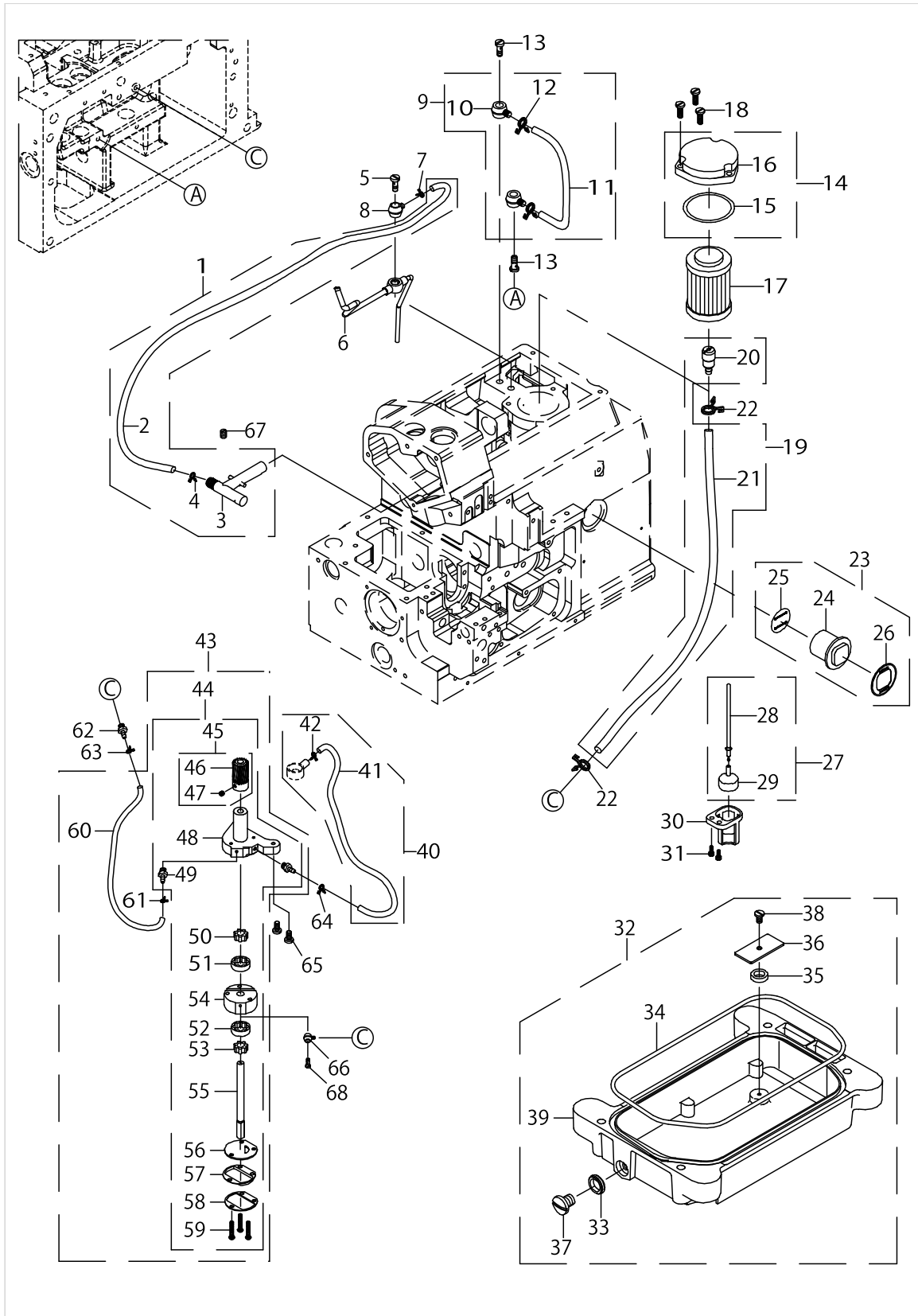
# LUBRICATION MECHANISM COMPONENTS



LUBRICATION MECHANISM COMPONENTS

No.	Supply Code	Parts No.	Replacement	Parts name	Remarks	Choice	Step	Level	Cons	Qty	Rep. QTY
1		7000327		OIL TUBU GROUP						1	
2		7000326		HOSE				*		1	
3		7000631		OIL TUBE				*		1	
4		7000658		SPRING CLAMP				*		1	
5		7000534		E_SCREW						1	
6		7000693		COPPER TUBE						1	
7		7000658		SPRING CLAMP						1	
8		40159760		JOINT						1	
9		7000329		HOSE COMB.						1	
10		7000323		JOINT				*		2	
11		7000325		HOSE				*		1	
12		7000658		SPRING CLAMP				*		2	
13		7000532		E_SCREW						2	
14		7000675		OIL FILTER						1	
15		7000144		O-RING				*		1	
16		7000674		OIL FILTER COVER				*		1	
17		7000312		OIL FILTER						1	
18		7000520		E_SCREW						3	
19		7000328		OIL TUBE COMB						1	
20		7000428		JOINT				*		1	
21		7000326		HOSE				*		1	
22		7000658		SPRING CLAMP						2	
23		40159762		OIL LEVEL INSPEC- TION LENS COMB.						1	
24		7000157		OIL LEVEL INSPECTION LENS				*		1	
25		7000158		NAME PLATE				*		1	
26		40159761		NAME PLATE				*		1	
27		7000160		OIL INDICATOR ROD COMB.						1	
28		7000159		OIL INDICATOR ROD				*		1	
29		7000261		OIL INDICATOR				*		1	
30		7000262		BAFFLE						1	
31		7000521		E_SCREW						2	
32		40159764		OIL RESERVOIR COMB.						1	
33		7000146		OIL SEAL				*		1	
34		7000273		O-RING				*		1	
35		7000381		MAGNET				*		1	
36		7000382		BAFFLE				*		1	
37		7000533		E_SCREW				*		1	
38		7000518		E_SCREW				*		1	
39		40159763		OIL RESERVOIR COMB.				*		1	
40		7000267		HOSE COMB.						1	
41		7000318		HOSE				*		1	
42		7000657		SPRING CLAMP				*		1	
43		7000716		PUMP COMB.						1	
44		7000715		PUMP COMB.				*		1	
45		7000260		GEAR				*		1	
46		7000258		WORM WHEEL				*		1	

# LUBRICATION MECHANISM COMPONENTS



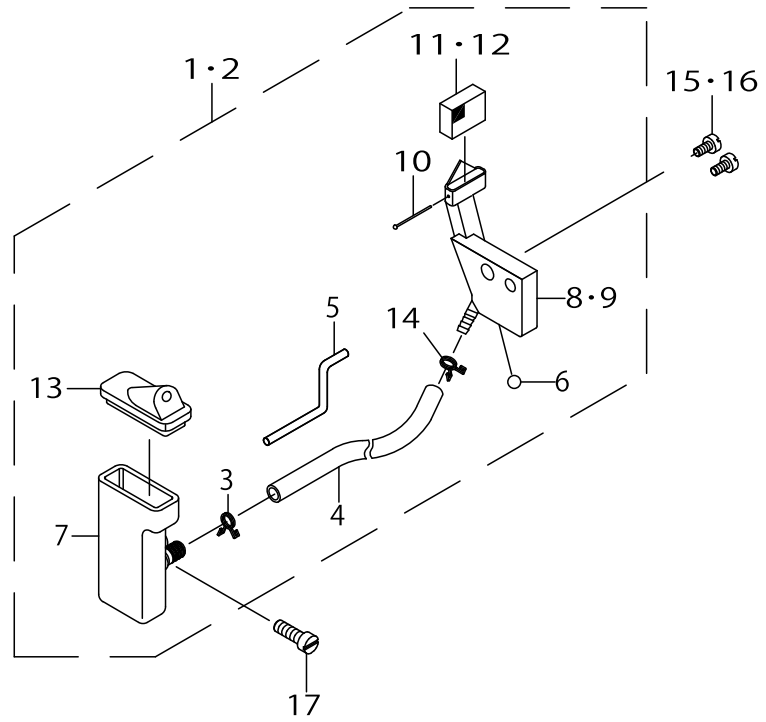
LUBRICATION MECHANISM COMPONENTS

No.	Supply Code	Parts No.	Replacement	Parts name	Remarks	Choice	Step	Level	Cons	Qty	Rep. QTY
47		70000582		M_SCREW				*		1	
48		70000713		PUMP BODY				*		1	
49		70000322		JOINT				*		2	
50		40159765		GEAR				*		1	
51		70000148		GEAR				*		1	
52		70000148		GEAR				*		1	
53		40159765		GEAR				*		1	
54		70000714		PUMP BODY				*		1	
55		70000712		SHAFT				*		1	
56		70000717		PUMP COVER				*		1	
57		70000710		FILTER NET				*		1	
58		70000711		GASKET				*		1	
59		70000575		M_SCREW				*		3	
60		70000324		HOSE				*		1	
61		70000657		SPRING CLAMP				*		1	
62		70000322		JOINT						1	
63		70000657		SPRING CLAMP						1	
64		70000657		SPRING CLAMP						1	
65		70000527		E_SCREW						2	
66		70000323		JOINT						1	
67		70000522		E_SCREW						1	
68		70000532		E_SCREW						1	



NEEDLE COOLER UNIT COMPONENTS

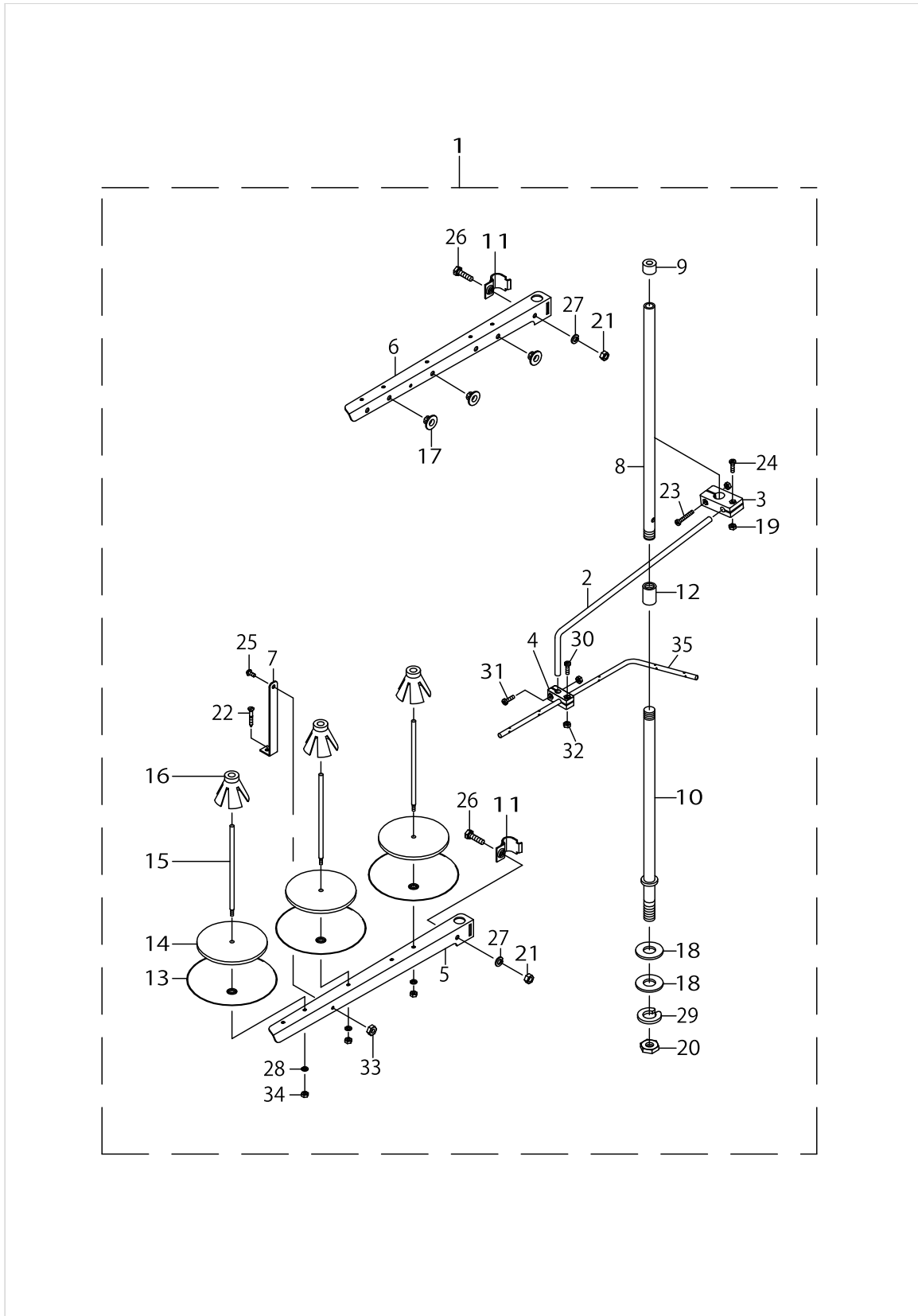
MODEL	04S/14S	16S/43S
PARTS NO	11	12
	8	9
	1	2
	15	16



NEEDLE COOLER UNIT COMPONENTS

No.	Supply Code	Parts No.	Replacement	Parts name	Remarks	Choice	Step	Level	Cons	Qty	Rep. QTY
1		40159772		OILER	FOR 04S,14S					1	
2		40159775		OILER	FOR 16S,43S					1	
3		70000658		SPRING CLAMP				*		1	
4		40159768		HOSE				*		1	
5		40159769		OIL WICK				*		1	
6		40159770		BALL				*		1	
7		40159771		OILER				*		1	
8		40159776		DIVIDING SEAT	FOR 04S,14S			*		1	
9		40159774		DIVIDING SEAT	FOR 16S,43S			*		1	
10		40159778		NAIL				*		1	
11		40159777		OIL FELT	FOR 04S,14S			*		1	
12		40159773		OIL FELT	FOR 16S,43S			*		1	
13		40159779		OILER COVER				*		1	
14		70000658		SPRING CLAMP				*		1	
15		70000526		E_SCREW	FOR 04S,14S					1	
16		70001060		E_SCREW	FOR 16S,43S					2	
17		70000518		E_SCREW						1	

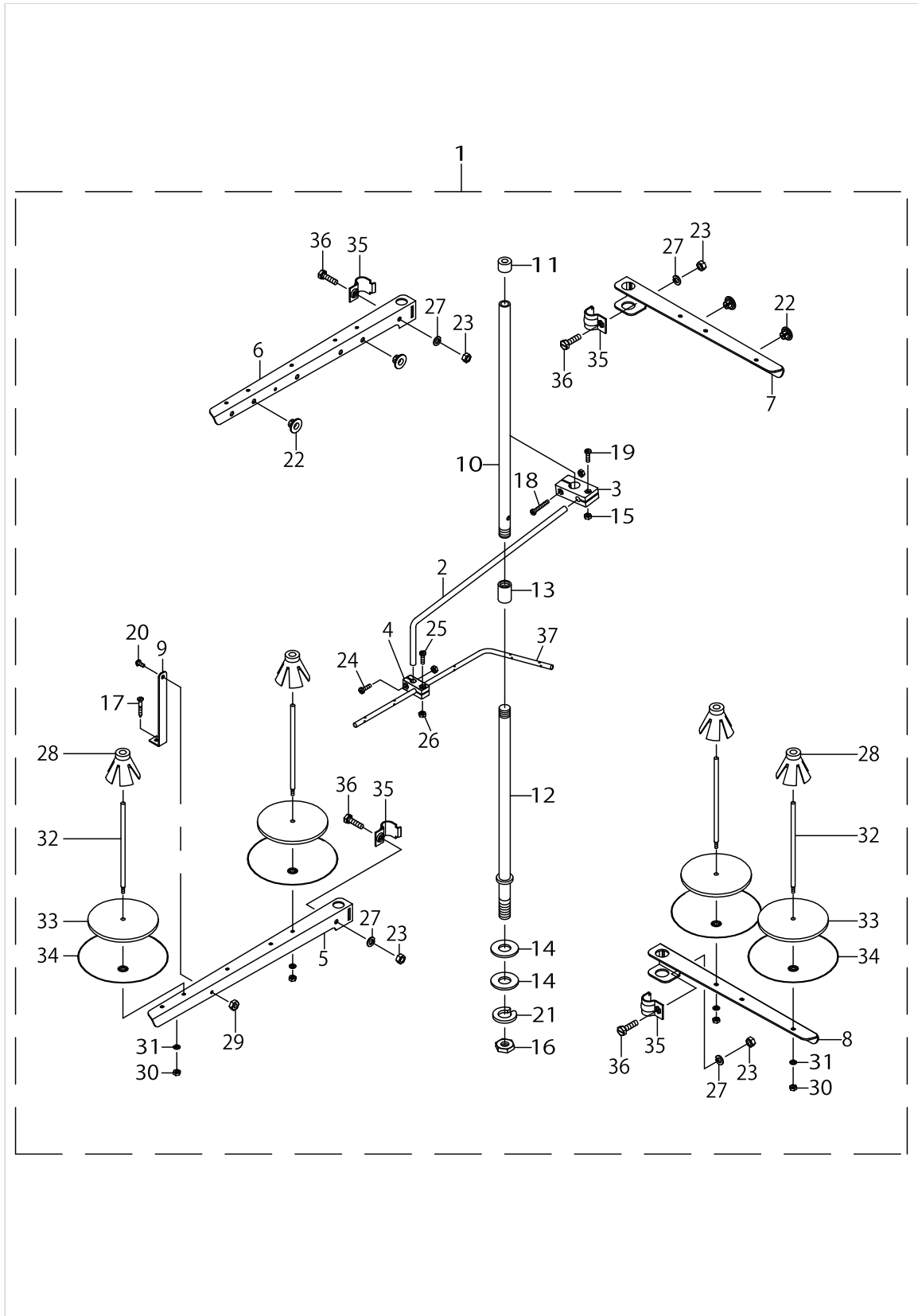
THREAD STAND COMPONENTS (FOR MO-6804S)



THREAD STAND COMPONENTS (FOR MO-6804S)

No.	Supply Code	Parts No.	Replacement	Parts name	Remarks	Choice	Step	Level	Cons	Qty	Rep. QTY
1		40179483		THREAD STAND COMB.						1	
2		70000179		THREAD GUIDE BAR				*		1	
3		70000180		FIXED SEAT				*		1	
4		70000181		FIXED SEAT				*		1	
5		70000182		THREAD GUIDE BAR				*		1	
6		70000183		THREAD GUIDE BAR				*		1	
7		70000186		SUPPORTER				*		1	
8		70000188		THREAD STAND ROD				*		1	
9		70000189		THREAD STAND COVER				*		1	
10		70000190		THREAD STAND ROD				*		1	
11		70000191		FIXED PLATE				*		2	
12		70000192		CONNECTING LOOP				*		1	
13		70000215		COILING SEAT				*		3	
14		70000216		SPONGY CUSHION				*		3	
15		70000217		CONNECTING LOOP				*		3	
16		70000218		THREAD STEADY BALL SEAT				*		3	
17		70000219		PLUG				*		3	
18		70000354		WASHER				*		2	
19		70000454		NUT				*		2	
20		70000455		NUT				*		1	
21		70000456		NUT				*		2	
22		70000547		E_SCREW				*		1	
23		70000579		M_SCREW				*		1	
24		70000580		M_SCREW				*		1	
25		70000581		M_SCREW				*		1	
26		70000589		M_SCREW				*		2	
27		70000611		WASHER				*		2	
28		70000615		WASHER				*		3	
29		70000618		WASHER				*		1	
30		70000580		M_SCREW				*		1	
31		70000580		M_SCREW				*		1	
32		70000454		NUT				*		2	
33		70000454		NUT				*		1	
34		70000454		NUT				*		3	
35		70000178		THREAD GUIDE PLATE				*		1	

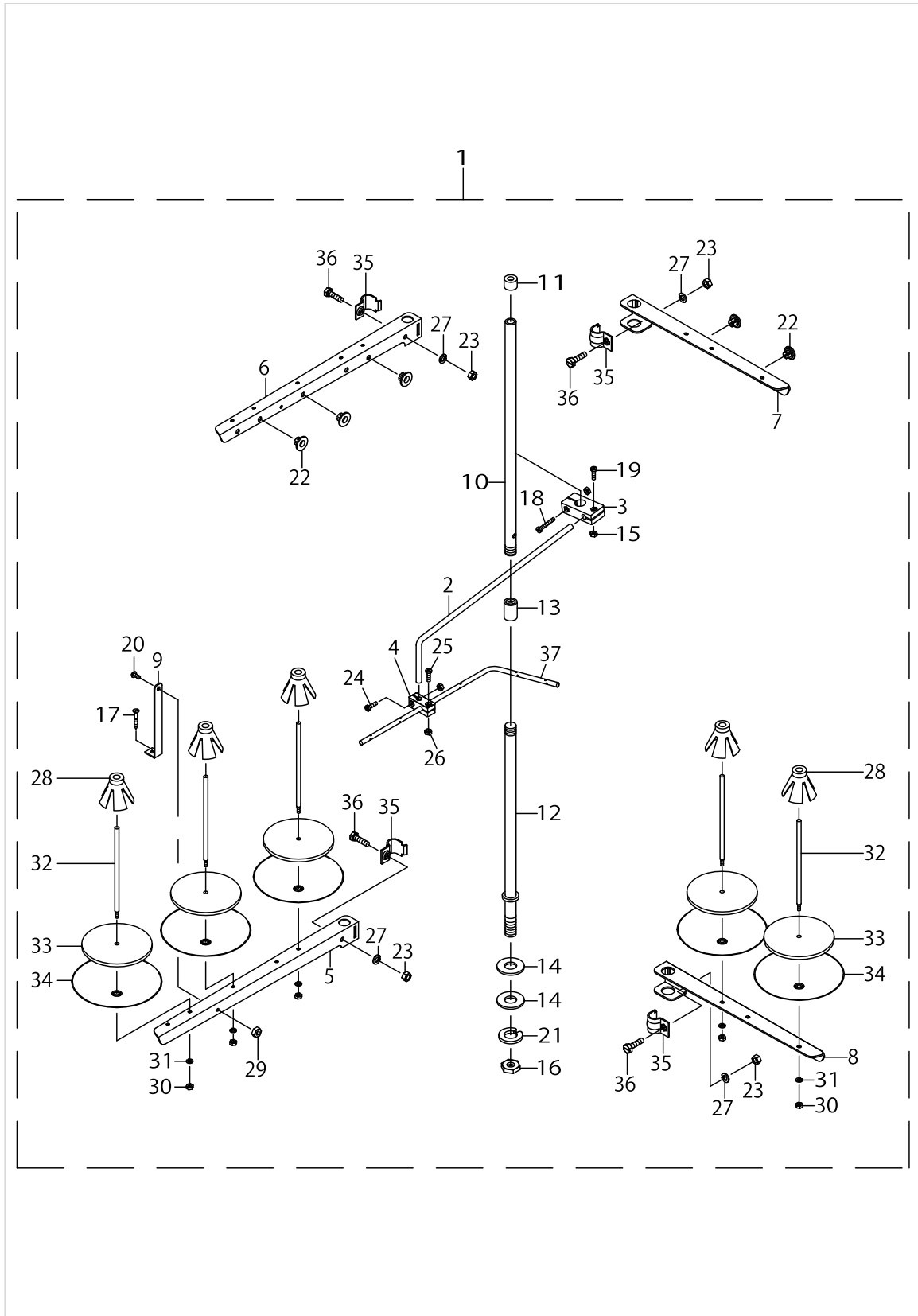
THREAD STAND COMPONENTS (FOR MO-6814S)



THREAD STAND COMPONENTS (FOR MO-6814S)

No.	Supply Code	Parts No.	Replacement	Parts name	Remarks	Choice	Step	Level	Cons	Qty	Rep. QTY
1		40179484		THREAD STAND COMB.						1	
2		70000179		THREAD GUIDE BAR				*		1	
3		70000180		FIXED SEAT				*		1	
4		70000181		FIXED SEAT				*		1	
5		70000182		THREAD GUIDE BAR				*		1	
6		70000183		THREAD GUIDE BAR				*		1	
7		70000184		THREAD GUIDE BAR				*		1	
8		70000185		THREAD GUIDE BAR				*		1	
9		70000186		SUPPORTER				*		1	
10		70000188		THREAD STAND ROD				*		1	
11		70000189		THREAD STAND COVER				*		1	
12		70000190		THREAD STAND ROD				*		1	
13		70000192		CONNECTING LOOP				*		1	
14		70000354		WASHER				*		2	
15		70000454		NUT				*		2	
16		70000455		NUT				*		1	
17		70000547		E_SCREW				*		1	
18		70000579		M_SCREW				*		1	
19		70000580		M_SCREW				*		1	
20		70000581		M_SCREW				*		1	
21		70000618		WASHER				*		1	
22		70000219		PLUG				*		4	
23		70000456		NUT				*		4	
24		70000580		M_SCREW				*		1	
25		70000580		M_SCREW				*		1	
26		70000454		NUT				*		2	
27		70000611		WASHER				*		4	
28		70000218		THREAD STEADY BALL SEAT				*		4	
29		70000454		NUT				*		1	
30		70000454		NUT				*		4	
31		70000615		WASHER				*		4	
32		70000217		CONNECTING LOOP				*		4	
33		70000216		SPONGY CUSHION				*		4	
34		70000215		COILING SEAT				*		4	
35		70000191		FIXED PLATE				*		4	
36		70000589		M_SCREW				*		4	
37		70000178		THREAD GUIDE PLATE				*		1	

THREAD STAND COMPONENTS (FOR MO-6816S)

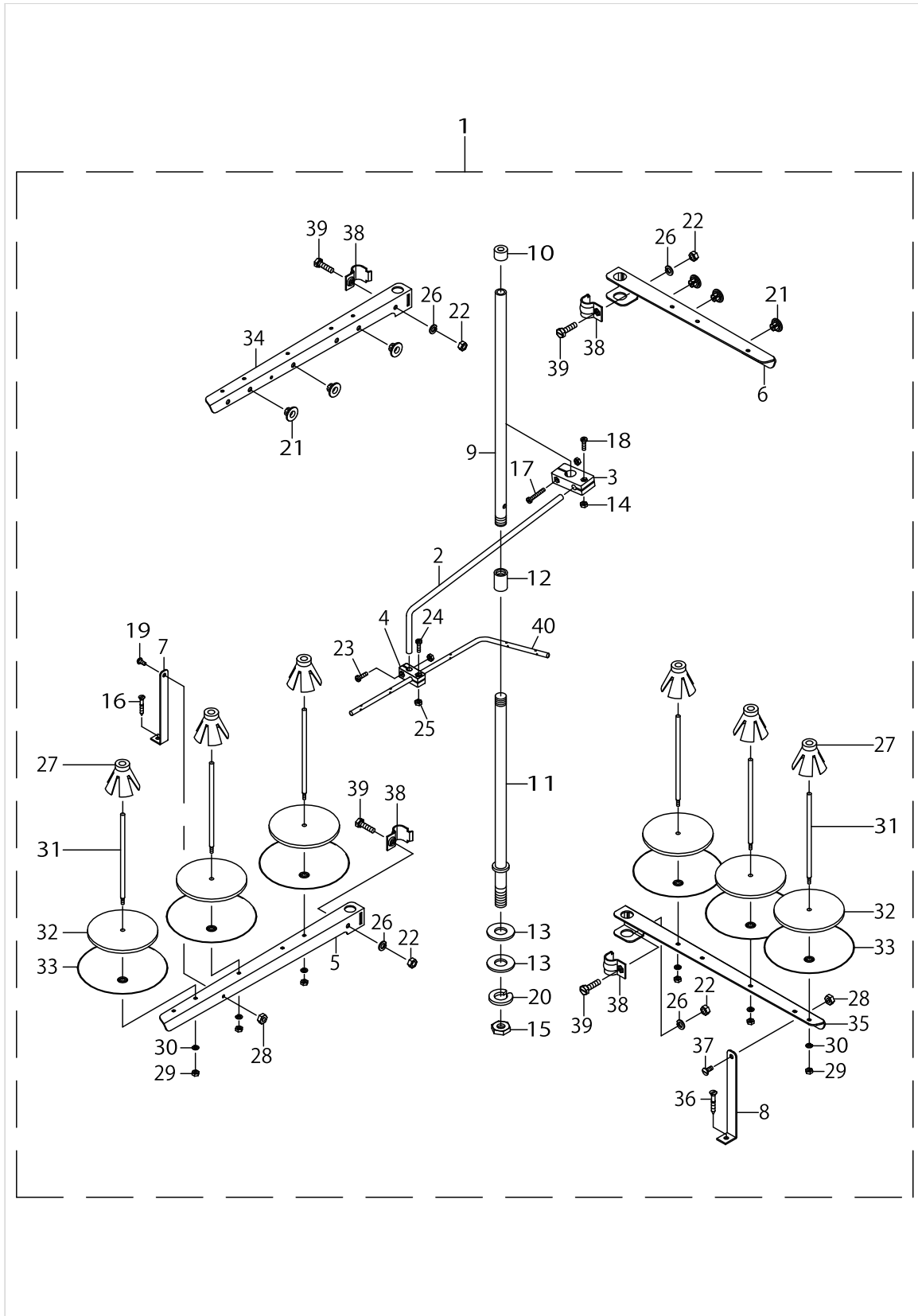


THREAD STAND COMPONENTS (FOR MO-6816S)

No.	Supply Code	Parts No.	Replacement	Parts name	Remarks	Choice	Step	Level	Cons	Qty	Rep. QTY
1		40179485		THREAD STAND COMB.						1	
2		70000179		THREAD GUIDE BAR				*		1	
3		70000180		FIXED SEAT				*		1	
4		70000181		FIXED SEAT				*		1	
5		70000182		THREAD GUIDE BAR				*		1	
6		70000183		THREAD GUIDE BAR				*		1	
7		70000184		THREAD GUIDE BAR				*		1	
8		70000185		THREAD GUIDE BAR				*		1	
9		70000186		SUPPORTER				*		1	
10		70000188		THREAD STAND ROD				*		1	
11		70000189		THREAD STAND COVER				*		1	
12		70000190		THREAD STAND ROD				*		1	
13		70000192		CONNECTING LOOP				*		1	
14		70000354		WASHER				*		2	
15		70000454		NUT				*		2	
16		70000455		NUT				*		1	
17		70000547		E_SCREW				*		1	
18		70000579		M_SCREW				*		1	
19		70000580		M_SCREW				*		1	
20		70000581		M_SCREW				*		1	
21		70000618		WASHER				*		1	
22		70000219		PLUG				*		5	
23		70000456		NUT				*		4	
24		70000580		M_SCREW				*		1	
25		70000580		M_SCREW				*		1	
26		70000454		NUT				*		2	
27		70000611		WASHER				*		4	
28		70000218		THREAD STEADY BALL SEAT				*		5	
29		70000454		NUT				*		1	
30		70000454		NUT				*		5	
31		70000615		WASHER				*		5	
32		70000217		CONNECTING LOOP				*		5	
33		70000216		SPONGY CUSHION				*		5	
34		70000215		COILING SEAT				*		5	
35		70000191		FIXED PLATE				*		4	
36		70000589		M_SCREW				*		4	
37		70000177		THREAD GUIDE BAR				*		1	



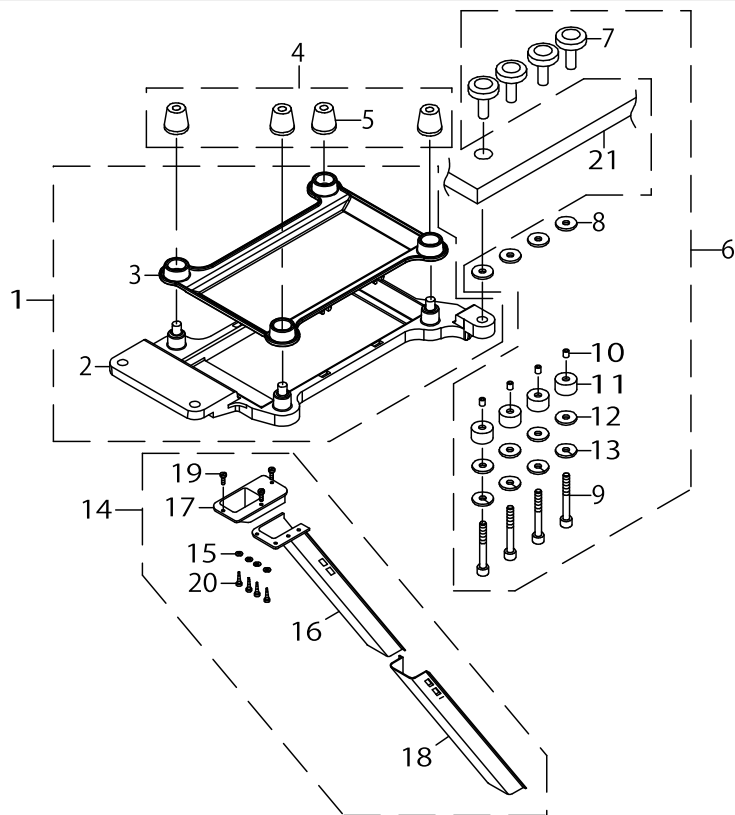
THREAD STAND COMPONENTS (FOR MO-6843S)



THREAD STAND COMPONENTS (FOR MO-6843S)

No.	Supply Code	Parts No.	Replacement	Parts name	Remarks	Choice	Step	Level	Cons	Qty	Rep. QTY
1		40179486		THREAD STAND COMB.						1	
2		70000179		THREAD GUIDE BAR				*		1	
3		70000180		FIXED SEAT				*		1	
4		70000181		FIXED SEAT				*		1	
5		70000182		THREAD GUIDE BAR				*		1	
6		70000183		THREAD GUIDE BAR				*		1	
7		70000186		SUPPORTER				*		1	
8		70000187		SUPPORTER				*		1	
9		70000188		THREAD STAND ROD				*		1	
10		70000189		THREAD STAND COVER				*		1	
11		70000190		THREAD STAND ROD				*		1	
12		70000192		CONNECTING LOOP				*		1	
13		70000354		WASHER				*		2	
14		70000454		NUT				*		2	
15		70000455		NUT				*		1	
16		70000547		E_SCREW				*		1	
17		70000579		M_SCREW				*		1	
18		70000580		M_SCREW				*		1	
19		70000581		M_SCREW				*		1	
20		70000618		WASHER				*		1	
21		70000219		PLUG				*		6	
22		70000456		NUT				*		4	
23		70000580		M_SCREW				*		1	
24		70000580		M_SCREW				*		1	
25		70000454		NUT				*		2	
26		70000611		WASHER				*		4	
27		70000218		THREAD STEADY BALL SEAT				*		6	
28		70000454		NUT				*		2	
29		70000454		NUT				*		6	
30		70000615		WASHER				*		6	
31		70000217		CONNECTING LOOP				*		6	
32		70000216		SPONGY CUSHION				*		6	
33		70000215		COILING SEAT				*		6	
34		70000183		THREAD GUIDE BAR				*		1	
35		70000182		THREAD GUIDE BAR				*		1	
36		70000547		E_SCREW				*		1	
37		70000581		M_SCREW				*		1	
38		70000191		FIXED PLATE				*		4	
39		70000589		M_SCREW				*		4	
40		70000177		THREAD GUIDE BAR				*		1	

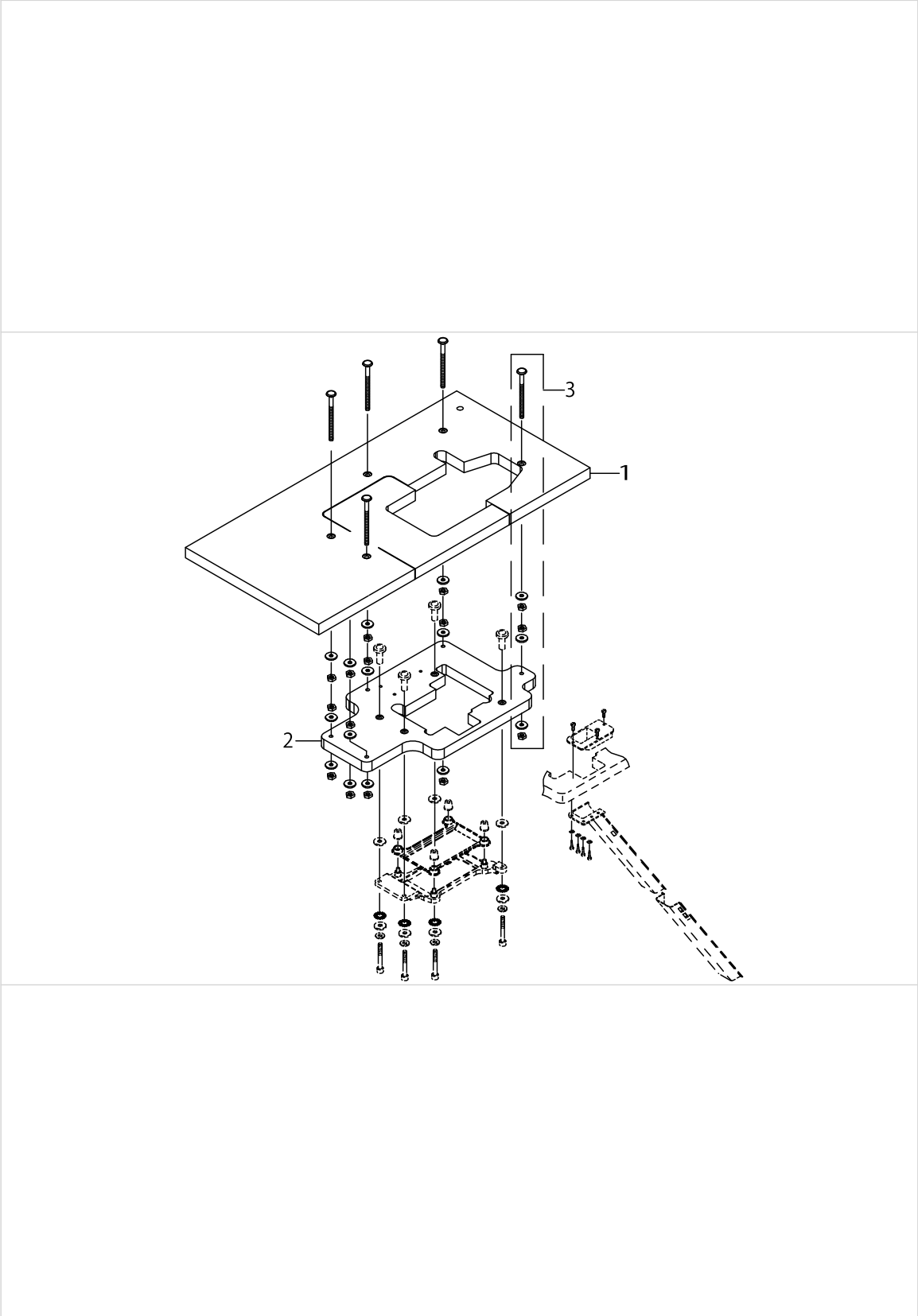
SEMI-SUNKEN TYPE TABLE COMPONENTS



SEMI-SUNKEN TYPE TABLE COMPONENTS

No.	Supply Code	Parts No.	Replacement	Parts name	Remarks	Choice	Step	Level	Cons	Qty	Rep. QTY
1		70000264		CHASSIS						1	
2		70000263		CHASSIS				*		1	
3		70000438		RUBBER PAD				*		1	
4		70000340		RUBBER BLOCK						1	
5		70000338		RUBBER BLOCK				*		4	
6		70000265		BOLT COMB.						1	
7		70000332		FIXED SHAFT				*		4	
8		70000339		RUBBER BLOCK				*		4	
9		70000707		BOLT				*		4	
10		40159780		GASKET				*		4	
11		40159781		GASKET				*		4	
12		70000348		WASHER				*		4	
13		70000617		WASHER				*		4	
14		70000484		WASTE FABRIC CHUTE COMB.						1	
15		70000352		WASHER				*		4	
16		70000482		WASTE FABRIC CHUTE				*		1	
17		70000483		WASTE FABRIC CHUTE				*		1	
18		70000485		WASTE FABRIC CHUTE				*		1	
19		70000540		E_SCREW				*		3	
20		70000541		E_SCREW				*		4	
21		70000854		TABLE						1	

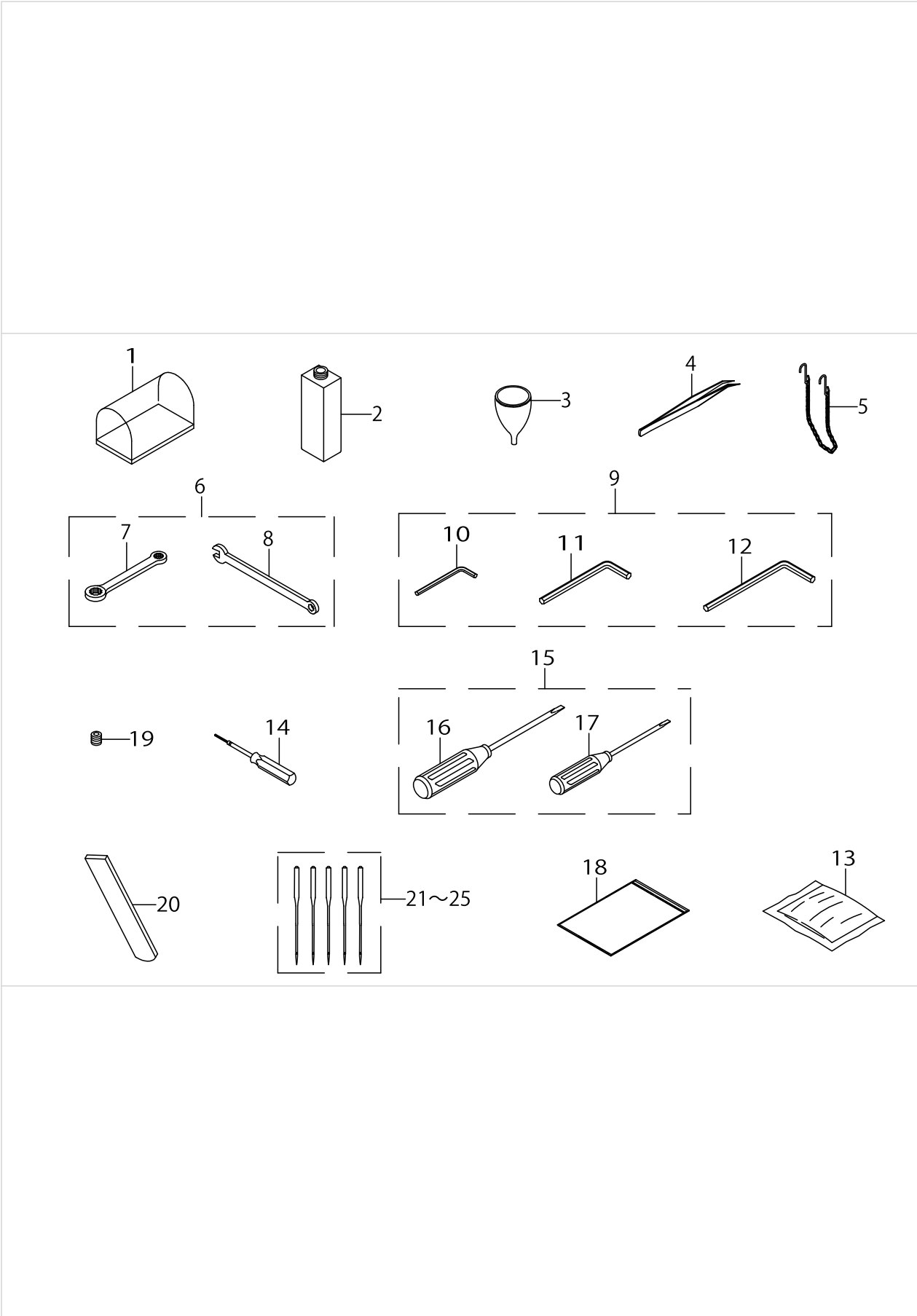
FULLY-SUNKEN TYPE TABLE COMPONENTS



FULLY-SUNKEN TYPE TABLE COMPONENTS

No.	Supply Code	Parts No.	Replacement	Parts name	Remarks	Choice	Step	Level	Cons	Qty	Rep. QTY
1		70000444		TABLE						1	
2		70000706		FIXED TABLE						1	
3		70000884		BOLT ASM.	FIVE PARTS ENCLOSED WITH THE DOTTED LINEARE ENCLOSED					1	

ACCESSORIES PARTS COMPONENTS

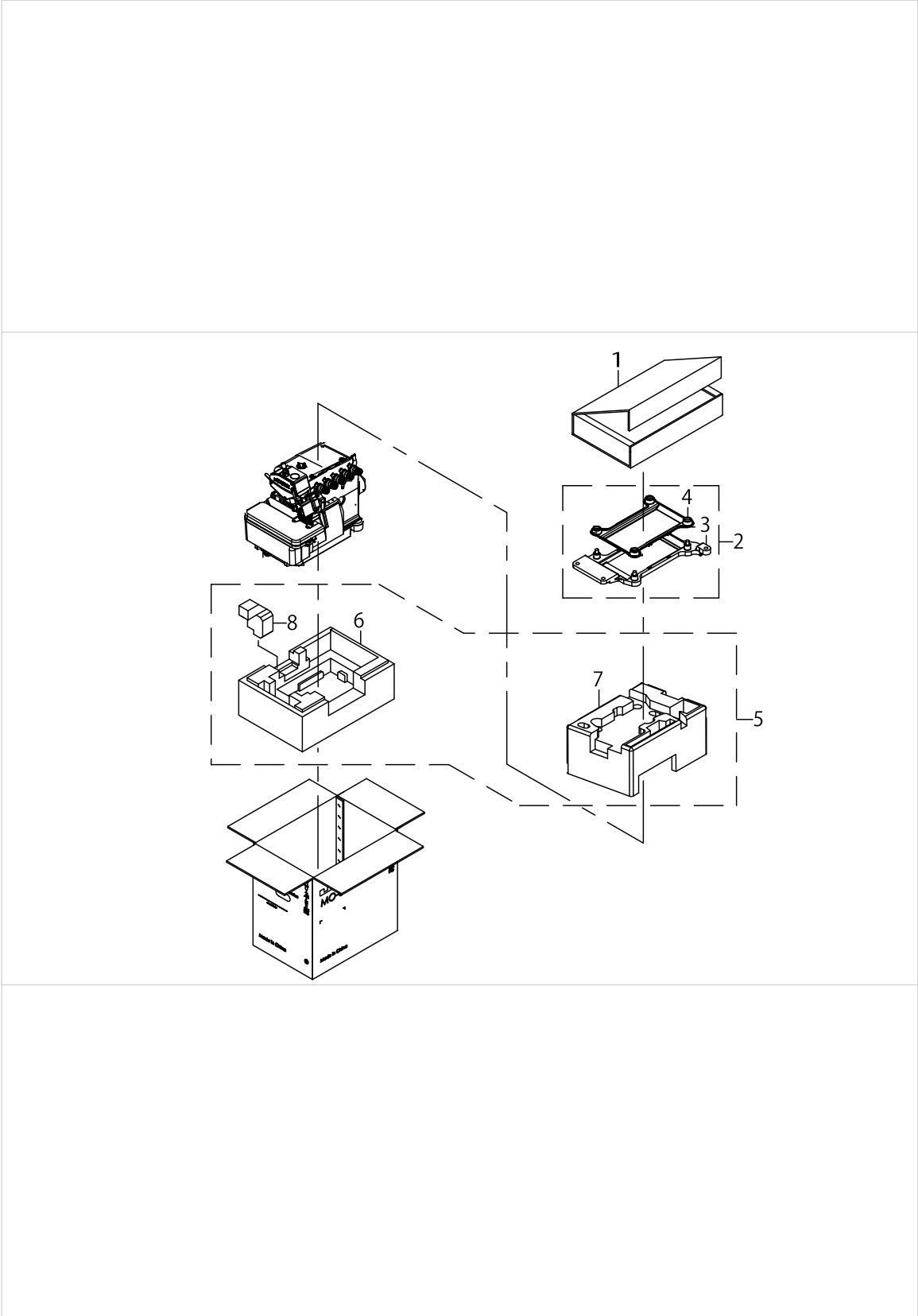


ACCESSORIES PARTS COMPONENTS

No.	Supply Code	Parts No.	Replacement	Parts name	Remarks	Choice	Step	Level	Cons	Qty	Rep. QTY
1		40159786		HEAD COVER						1	
2	D	40159785		SEWING OIL J18(3)						1	
3		70000757		FUNNEL						1	
4		70000759		TWEEZERS						1	
5		70000760		CHAIN						1	
6		40159796		SPANNER COMB.						1	
7		40159794		RING SPANNER				*		1	
8		40159795		SPANNER				*		1	
9		40159793		HEXAGONAL ROD S-PANNER KEY COMB.						1	
10		40159789		HEXAGONAL ROD SPANNER KEY				*		1	
11		40159790		HEXAGONAL ROD SPANNER KEY				*		1	
12		40159791		HEXAGONAL ROD SPANNER KEY				*		1	
13		70000763		DESICCATIVE						1	
14		70000758		HEXAGON SCREWDRIVER						1	
15		40159792		SCREW DRIVER COMB.						1	
16		40159787		SCREW DRIVER				*		1	
17		40159788		SCREW DRIVER				*		1	
18		70000761		TOOL BAG						1	
19		70000498		E_SCREW						1	
20		70000399		KNIFE						1	
21		MDC270B1100		NEEDLE DCX27 #11						5	
22		MDC270B0800		NEEDLE DCX27 #8	FOR 04S-150					5	
23		MDC270B0900		NEEDLE DCX27 #9	FOR 14S-24H					5	
24		MDC270B1400		NEEDLE DCX27 #14	FOR 14S-44H,43S					5	
25		MDC270B1600		NEEDLE DCX27 #16	FOR 16S-50H					5	
26		MDC270B2100		NEEDLE DCX27 #21	FOR 16S-60H					5	
27		40178596		KNIFE	FOR 16S-60H					1	



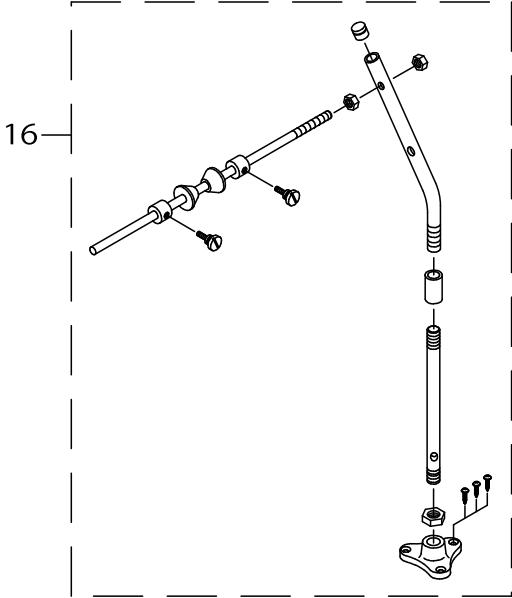
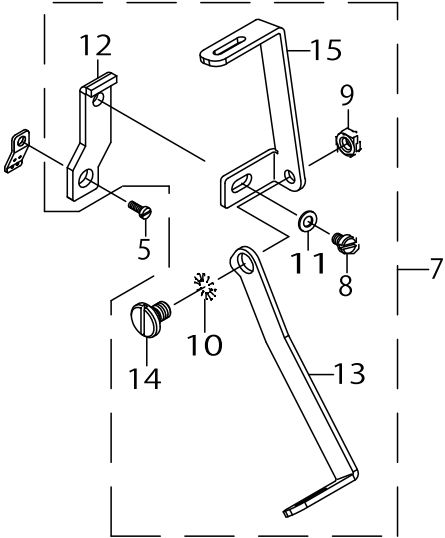
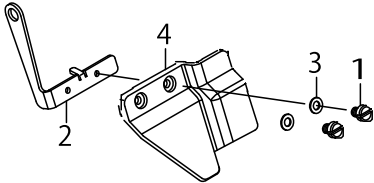
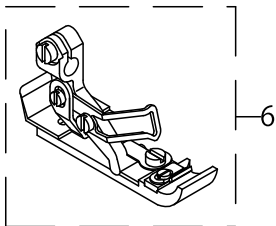
PACKING COMPONENTS



PACKING COMPONENTS

No.	Supply Code	Parts No.	Replacement	Parts name	Remarks	Choice	Step	Level	Cons	Qty	Rep. QTY
1		40159800		THREAD STAND						1	
2		70000264		CHASSIS						1	
3		70000263		CHASSIS				*		1	
4		70000438		RUBBER PAD				*		1	
5		40159803		POLYSTYRENE						1	
6		70000767		POLYSTYRENE				*		1	
7		40159801		POLYSTYRENE				*		1	
8		40159802		POLYSTYRENE				*		1	

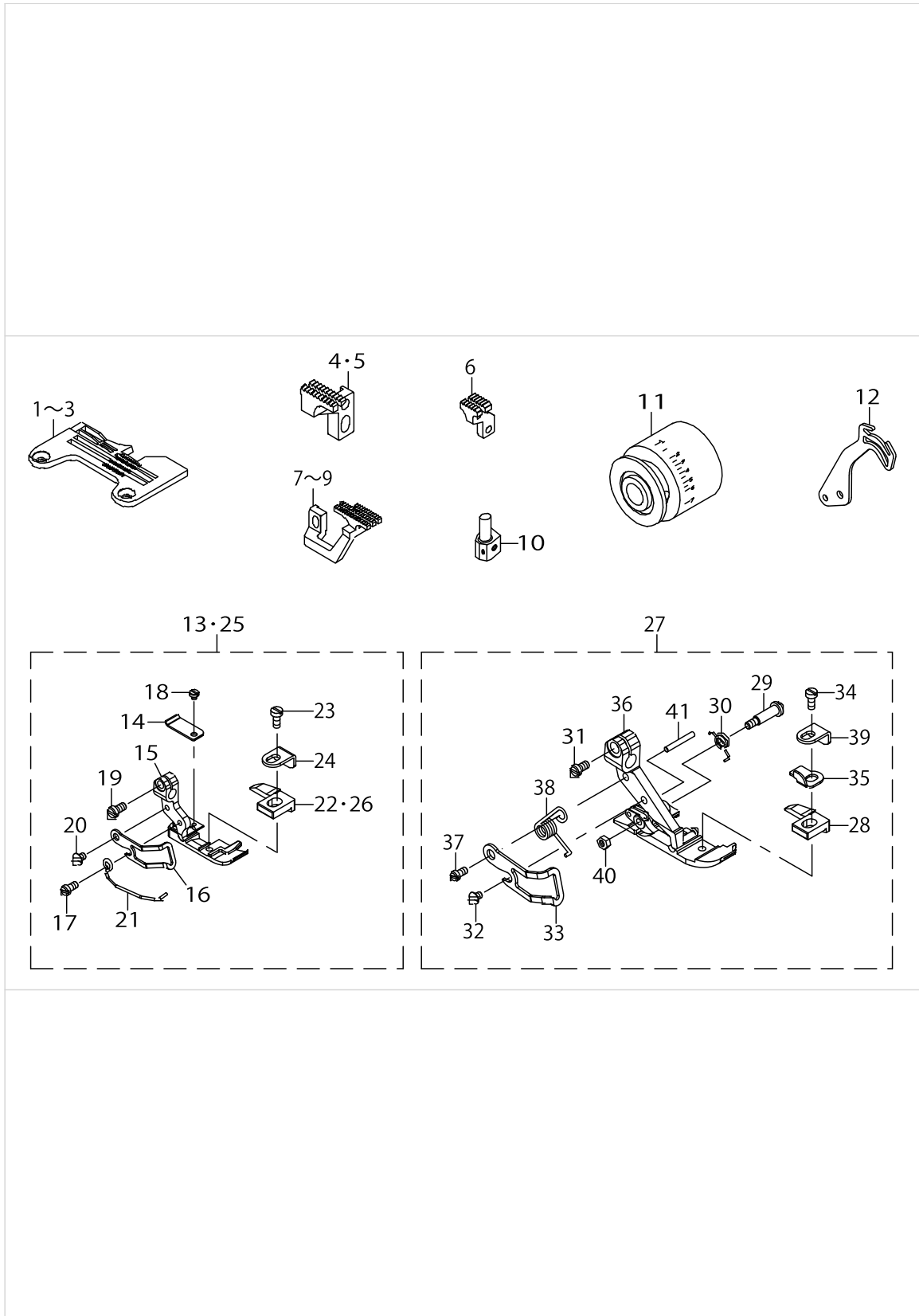
TAPE INSERTION COMPONENTS



TAPE INSERTION COMPONENTS

No.	Supply Code	Parts No.	Replacement	Parts name	Remarks	Choice	Step	Level	Cons	Qty	Rep. QTY
1		70000908		M_SCREW							2
2		40159574		SAFETY PLATE BRACKET							1
3		40159576		WASHER							2
4		40159810		SAFETY PLATE							1
5		70000549		E_SCREW							1
6		40159817		PRESSER FOOT							1
7		40159815		TAPE GUIDE COMB.							1
8		70000908		M_SCREW				*			1
9		70000452		NUT				*			1
10		70000359		WASHER				*			1
11		40159576		WASHER				*			1
12		40159811		TAPE GUIDE				*			1
13		40159813		TAPE GUIDE				*			1
14		40159814		E_SCREW				*			1
15		40159812		TAPE GUIDE				*			1
16		70000098		TAPE HOLDER	OPTIONAL PARTS						1

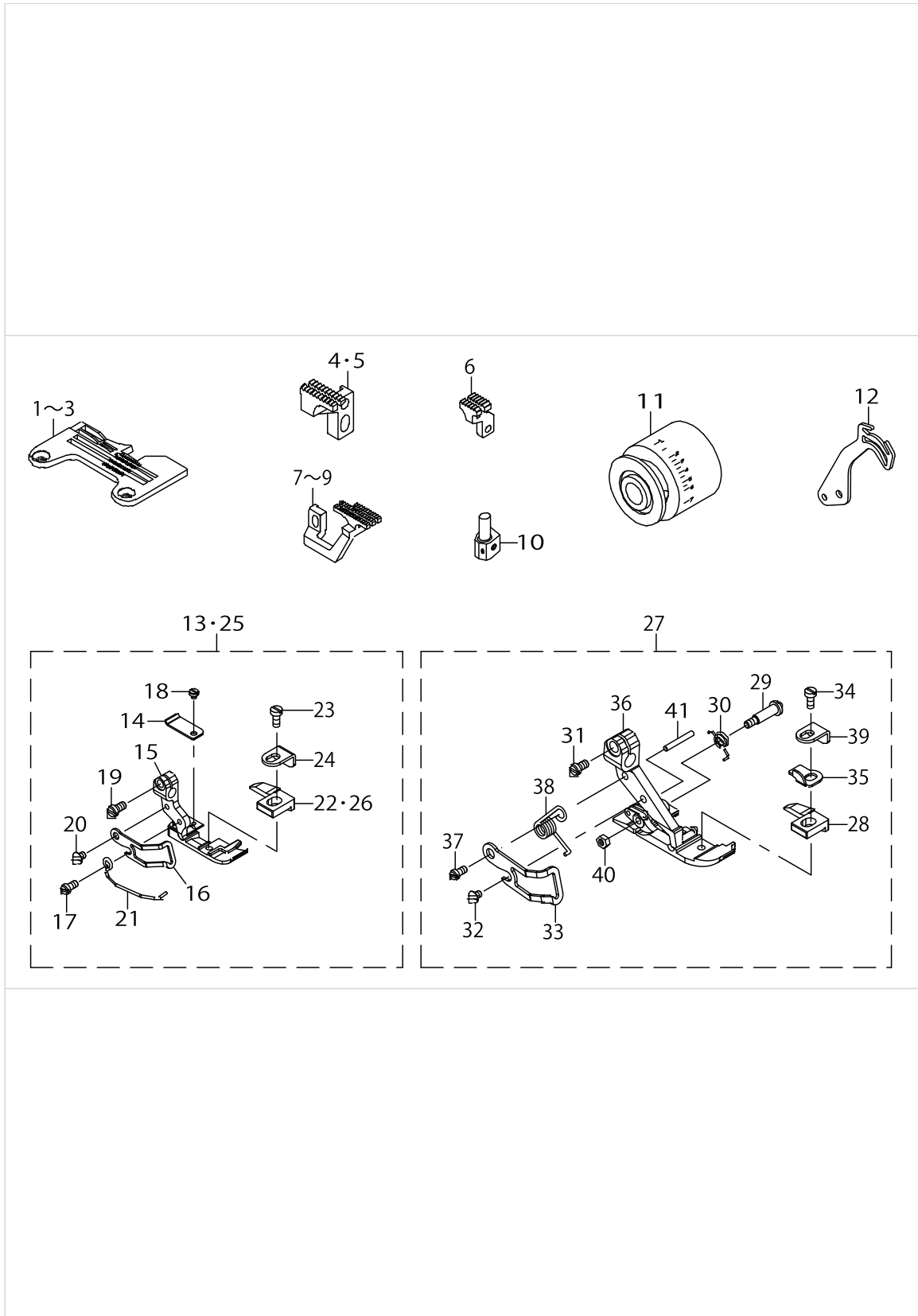
30P COMPONENTS



30P COMPONENTS

No.	Supply Code	Parts No.	Replacement	Parts name	Remarks	Choice	Step	Level	Cons	Qty	Rep. QTY
1		40164048		THROAT PLATE	FOR 14S-BE6-30P					1	
2		40164047		THROAT PLATE	FOR 14S-BB6-30P					1	
3		40164049		THROAT PLATE	FOR 16S-DE4-30P					1	
4		40164050		FEED DOG	FOR 14S-- BE6-30P,1- 4S-BB6-30P					1	
5		40164052		FEED DOG	FOR 16S-DE4-30P					1	
6		40164051		FEED DOG	FOR 14S-- BE6-30P,1- 4S-BB6-3- 0P,16S-DE4-30P					1	
7		40164044		FEED DOG	FOR 14S-BE6-30P					1	
8		40164046		FEED DOG	FOR 14S-BB6-30P					1	
9		40164045		FEED DOG	FOR 16S-DE4-30P					1	
10		40164055		NEEDLE CLAMP	FOR 14S-- BE6-30P,1- 4S-BB6-30P					1	
11		40164058		HAND WHEEL(30P)	FOR 14S-- BE6-30P,1- 4S-BB6-3- 0P,16S-DE4-30P					1	
12		40164056		THREAD TAKE-UP LEVER	FOR 14S-- BE6-30P,1- 4S-BB6-30P					1	
13		40164021		PRESSER FOOT ASM.	FOR 14S-BE6-30P					1	
14		40164026		REARPRESSERFOOT	FOR 14S-- BE6-30P,1- 4S-BB6-30P			*		1	
15		40164027		PRESSER FOOT HINGE	FOR 14S-- BE6-30P,1- 4S-BB6-30P			*		1	
16		70000735		FINGER GUARD	FOR 14S-- BE6-30P,1- 4S-BB6-30P			*		1	
17		70000500		E_SCREW	FOR 14S-- BE6-30P,1- 4S-BB6-30P			*		1	
18		70000496		E_SCREW	FOR 14S-- BE6-30P,1- 4S-BB6-30P			*		1	
19		70000505		E_SCREW	FOR 14S-- BE6-30P,1- 4S-BB6-30P			*		1	
20		70000538		E_SCREW	FOR 14S-- BE6-30P,1- 4S-BB6-30P			*		1	
21		40164028		PRESSER FOOT ARM SPRING	FOR 14S-- BE6-30P,1- 4S-BB6-30P			*		1	
22		40164024		STITCH TONGUE	FOR 14S-BE6-30P			*		1	
23		70000558		E_SCREW	FOR 14S-- BE6-30P,1- 4S-BB6-30P			*		1	
24		40164053		PRESSER FOOT 514_30P	FOR 14S-- BE6-30P,1- 4S-BB6-30P			*		1	
25		40164020		PRESSER FOOT ASM.	FOR 14S-BB6-30P					1	
26		40164023		STITCH TONGUE	FOR 14S-BB6-30P			*		1	
27		40164029		PRESSER FOOT ASM.	FOR 16S-DE4-30P					1	
28		40164032		STITCH TONGUE	FOR 16S-DE4-30P			*		1	
29		40164039		HINGE SCREW	FOR 16S-DE4-30P			*		1	
30		40164037		SPRING	FOR 16S-DE4-30P			*		1	
31		70000505		E_SCREW	FOR 16S-DE4-30P			*		1	

30P COMPONENTS

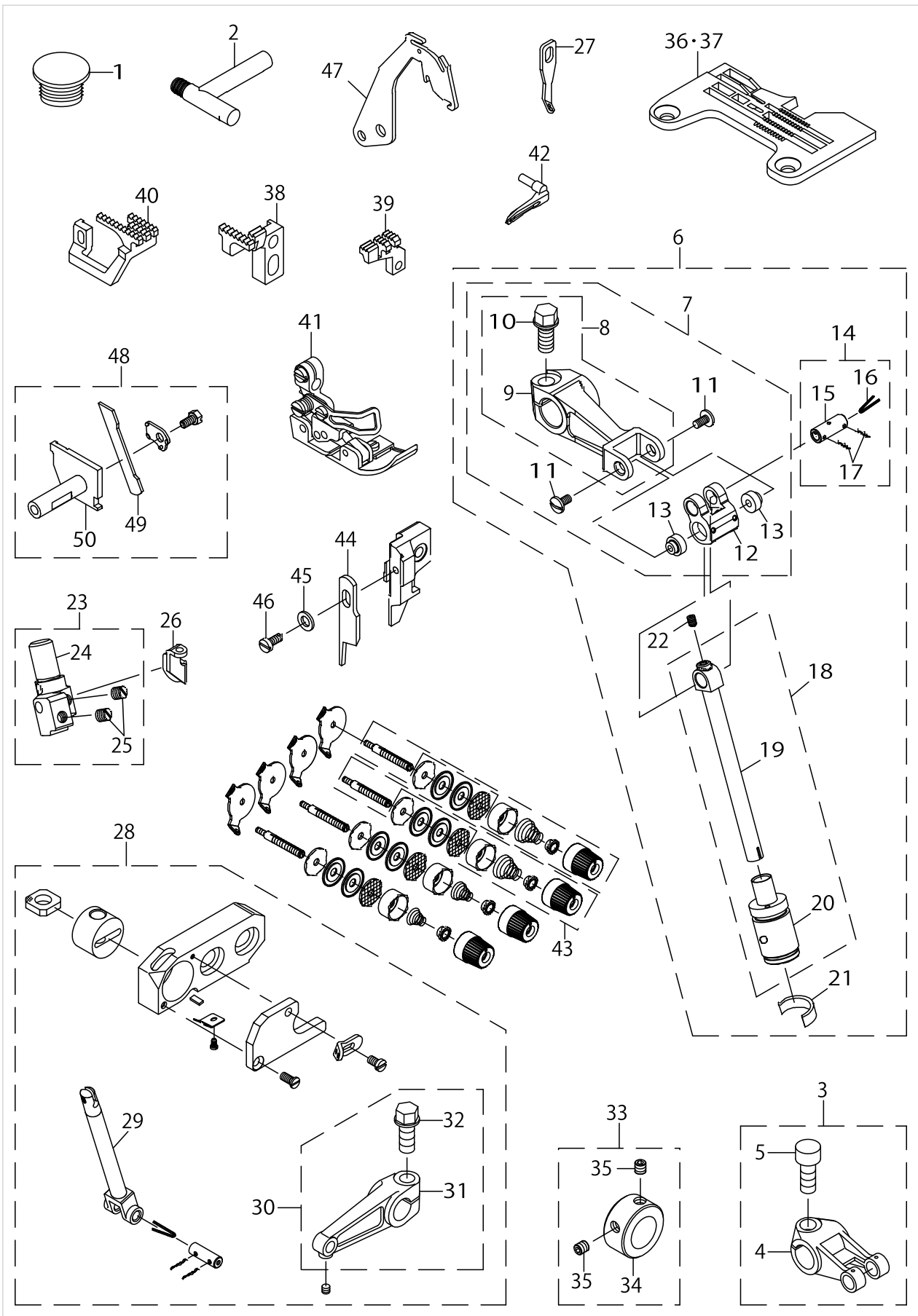


### 30P COMPONENTS

No.	Supply Code	Parts No.	Replacement	Parts name	Remarks	Choice	Step	Level	Cons	Qty	Rep. QTY
32		70000538		E_SCREW	FOR 16S-DE4-30P			*		1	
33		40164034		FINGER GUARD	FOR 16S-DE4-30P			*		1	
34		40159855		E_SCREW	FOR 16S-DE4-30P			*		1	
35		40164036		SPRING	FOR 16S-DE4-30P			*		1	
36		40164038		PRESSER FOOT HINGE	FOR 16S-DE4-30P			*		1	
37		70000500		E_SCREW	FOR 16S-DE4-30P			*		1	
38		40164033		PRESSER FOOT ARM SPRING	FOR 16S-DE4-30P			*		1	
39		40164035		PRESSER FOOT	FOR 16S-DE4-30P			*		1	
40		40164043		NUT	FOR 16S-DE4-30P			*		1	
41		40164042		PIN	FOR 16S-DE4-30P			*		1	



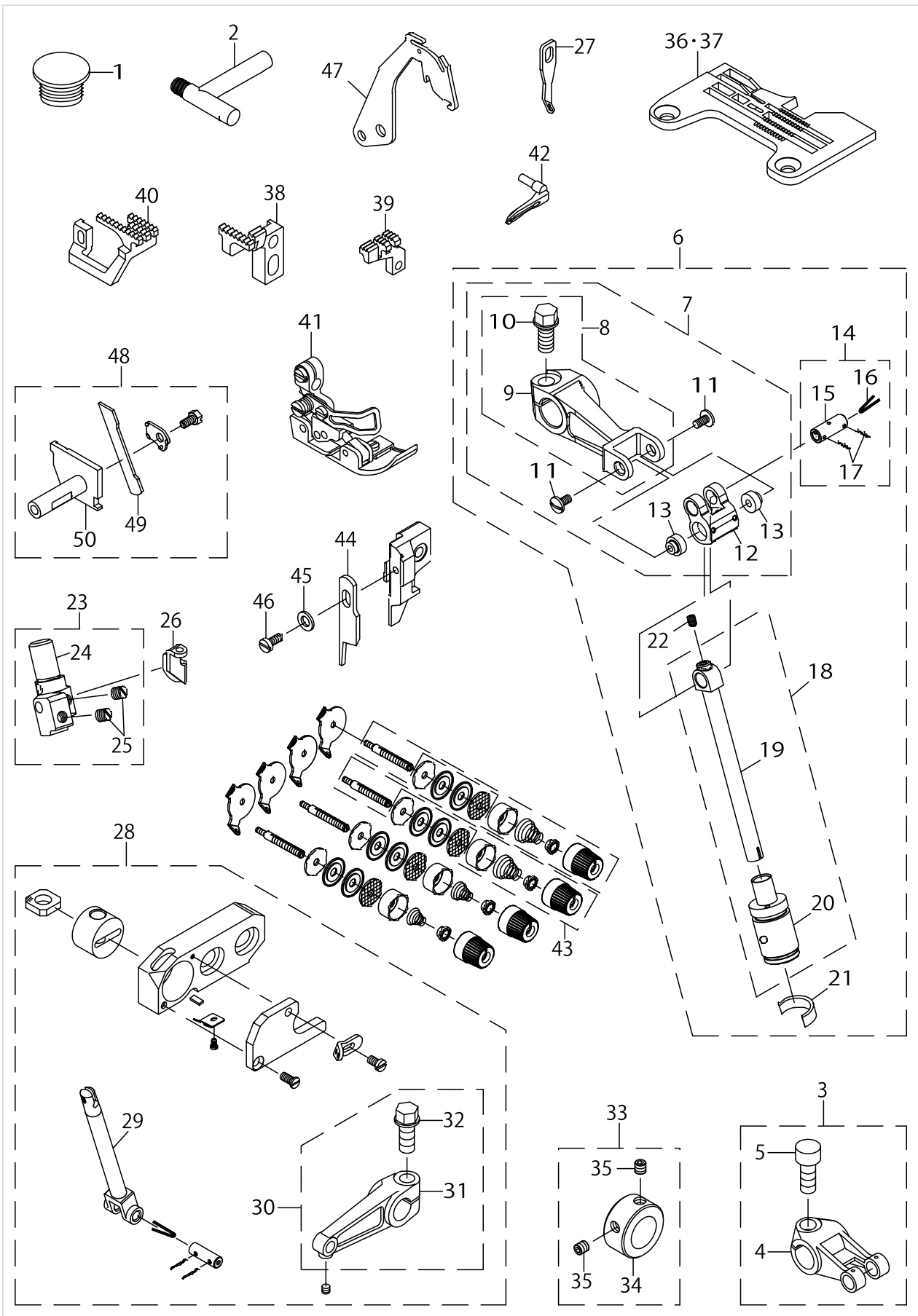
60H COMPONENTS



60H COMPONENTS

No.	Supply Code	Parts No.	Replacement	Parts name	Remarks	Choice	Step	Level	Cons	Qty	Rep. QTY
1		40178574		RUBBER PLUG						1	
2		40178575		OIL TUBE						1	
3		40178605		NEEDLE BAR ROCKER COMB.						1	
4		40178576		NEEDLEBARROCKER				*		1	
5		70000588		M_SCREW				*		1	
6		40178606		NEEDLE BAR COMB.						1	
7		40178607		NEEDLE BAR COMB.				*		1	
8		40178609		CONNECTING ROD COMB.				*		1	
9		40178577		CONNECTING ROD				*		1	
10		70000593		M_SCREW				*		1	
11		40178578		M_SCREW				*		2	
12		40178579		NEEDLE DRIVING LINK				*		1	
13		40178580		NEEDLE DRIVING ARM PIN				*		2	
14		40178608		SHAFT COMB.				*		1	
15		40178584		SHAFT				*		1	
16		70000729		OIL WICK				*		1	
17		70000728		OIL YARN				*		2	
18		40178616		NEEDLE BAR COMB.				*		1	
19		40178581		NEEDLE BAR				*		1	
20		40178583		BUSHING				*		1	
21		70000676		OIL FELT				*		1	
22		40178582		M_SCREW				*		1	
23		70000804		NEEDLE CLAMP						1	
24		40159613		NEEDLE CLAMP				*		1	
25		70000498		E_SCREW				*		2	
26		40178586		THREAD CROSSING						1	
27		40179600		THREAD GUIDE						1	
28		40178611		CONNECTING ROD SEAT COMB.						1	
29		40178613		LOOPER CONNECTI- NG ROD COMB.				*		1	
30		40178612		CONNECTING ROD COMB.				*		1	
31		40178588		CONNECTING ROD				*		1	
32		70000593		M_SCREW				*		1	
33		40178610		COLLAR COMB.						1	
34		40178587		COLLAR				*		1	
35		70000522		E_SCREW				*		2	
36		40178593		THROAT PLATE	FOR MO-6- 816S-FF6-60H					1	
37		40178594		THROAT PLATE	FOR MO-6- 816S-FH6-60H					1	
38		40178597		FEED DOG						1	
39		40178598		FEED DOG						1	
40		40178599		FEED DOG						1	
41		40178595		PRESSER FOOT ASM.						1	
42		40178592		LOOPER						1	
43		40178615		THREAD TENSION COMB. (Y2)						1	
44		40159725		KNIFE						1	
45		70000350		WASHER						1	


60H COMPONENTS



60H COMPONENTS

No.	Supply Code	Parts No.	Replacement	Parts name	Remarks	Choice	Step	Level	Cons	Qty	Rep. QTY
46		70000508		E_SCREW						1	
47		40178585		THREAD TAKE-UP LEVER						1	
48		40178617		KNIFE SEAT COMB.						1	
49		40178596		KNIFE				*		1	
50		40178600		KNIFE SEAT				*		1	

MO-6800S GAUGE TABLE

				
MODEL	THROAT PLATE	FEED DOG	FEED DOG	FEED DOG
MO-6804S-0E4-30H	401-59827	401-59820	700-00782	401-59836
MO-6804S-0A4-150	401-59825	401-59820	700-00784	401-59836
MO-6814S-BD6-30H	401-59828	401-59822	700-00782	401-59837
MO-6814S-BD6-24H/G44/Q143	401-59828	401-59822	700-00782	401-59837
MO-6814S-BD6-34H	401-59828	401-59822	700-00782	401-59837
MO-6814S-BE6-24H/G44/Q143	401-59829	401-59822	700-00782	401-59837
MO-6814S-BE6-34H	401-59829	401-59822	700-00782	401-59837
MO-6814S-BE6-40H	401-59829	401-59822	700-00782	401-59837
MO-6814S-BE6-44H/G44/Q143	401-59829	401-59822	700-00782	401-59837
MO-6814S-BB6-30P	401-64047	401-64050	700-00782	401-64046
MO-6814S-BE6-30P	401-64048	401-64050	700-00782	401-64044
MO-6816S-DE4-30H-E35	401-69858	401-69860	700-00782	401-69861
MO-6816S-DE6-30H	401-59830	401-59821	700-00782	401-59838
MO-6816S-FF6-30H	401-59831	401-59821	700-00782	401-59839
MO-6816S-FF6-50H	401-59834	401-59821	700-00782	401-59839
MO-6816S-FH6-50H	401-59835	401-59821	700-00782	401-59839
MO-6816S-FF6-60H	401-78593	401-78597	401-78598	401-78599
MO-6816S-FH6-60H	401-78594	401-78597	401-78598	401-78599
MO-6816S-DE4-30P	401-64049	401-64052	700-00782	401-64045
MO-6843S-1D6-40H	401-59833	401-59821	700-00782	401-59839
MO-6843S-2D6-40H	401-59832	401-59821	700-00782	401-59839
MO-6845S-FF6-360-N075	401-59826	401-59823	401-59824	401-59840

				
MODEL	PRESSER FOOT	LOOPER	NEEDLE CLAMP	NEEDLE
MO-6804S-0E4-30H	401-59844	700-00798	700-00801	DCX27#11
MO-6804S-0A4-150	401-59842	700-00798	700-00801	DCX27#8
MO-6814S-BD6-30H	401-59843	700-00238	700-00802	DCX27#11 * 2
MO-6814S-BD6-24H/G44/Q143	401-59817	700-00238	700-00802	DCX27#9 * 2
MO-6814S-BD6-34H	401-59817	700-00238	700-00802	DCX27#11 * 2
MO-6814S-BE6-24H/G44/Q143	401-59817	700-00238	700-00802	DCX27#9 * 2
MO-6814S-BE6-34H	401-59817	700-00238	700-00802	DCX27#11 * 2
MO-6814S-BE6-40H	401-59843	700-00799	700-00802	DCX27#11 * 2
MO-6814S-BE6-44H/G44/Q143	401-59817	700-00799	700-00802	DCX27#14 * 2
MO-6814S-BB6-30P	401-64020	700-00238	401-64055	DCX27#11 * 2
MO-6814S-BE6-30P	401-64021	700-00238	401-64055	DCX27#11 * 2
MO-6816S-DE4-30H-E35	401-59850	700-00238	700-00803	DCX27#11 * 2
MO-6816S-DE6-30H	401-59850	700-00238	700-00803	DCX27#11 * 2
MO-6816S-FF6-30H	401-59849	700-00238	700-00804	DCX27#11 * 2
MO-6816S-FF6-50H	401-59849	700-00799	700-00804	DCX27#16 * 2
MO-6816S-FH6-50H	401-59849	700-00799	700-00804	DCX27#16 * 2
MO-6816S-FF6-60H	401-78595	700-78592	700-00804	DCX27#21 * 2
MO-6816S-FH6-60H	401-78595	700-78592	700-00804	DCX27#21 * 2
MO-6816S-DE4-30P	401-64029	700-00238	700-00803	DCX27#11 * 2
MO-6843S-1D6-40H	401-59848	700-00238	700-00806	DCX27#11 * 3
MO-6843S-2D6-40H	401-59847	700-00238	700-00805	DCX27#11 * 3
MO-6845S-FF6-360-N075	401-59845		401-59841	DCX27#14 * 2

LIST FOR INFORMATION OF CHANGE (1)

As to the place changed, refer to the corresponding Rev.No.  
 When previous parts(Obsoleted part)and new parts(Added parts)are  
 not interchangeable with each other:  
 In this case,even obsoleted parts(D.)can be ordered with the  
 obsoleted part number,so select the parts with changed dates and  
 place your orders.

変更箇所は、該当Rev.No.版をご参照ください。  
 部品の互換性がない変更の場合は、削除された品番でも、ご注文できます。

40159375  
 No.1672-02}・Rev.No.

\*A:Added parts追加部品/D:Obsoleted parts削除部品/E:Erratum訂正

* Rev. No.	Page 頁	Ref. No.	Parts No. 品番	* Rev. No.	Page 頁	Ref. No.	Parts No. 品番
D 01	2	4	700-00442	A 02	2	4	401-72525
D 01	6	2	401-59531				
				A 02	8	48	401-59660
				A 02	8	52	700-00612
				A 02	8	53	700-00928
				A 02	8	54	401-70846
				A 02	8	60	401-64010
D 01	12	82	401-59639	A 02	12	82	401-78548
D 01	12	90	401-59635	A 02	12	90	401-59624
D 01	12	92	401-59639	A 02	12	92	401-78550
D 01	12	96	401-59635	A 02	12	96	401-59624
D 01	12	98	401-59639	A 02	12	98	401-78549
D 01	12	103	401-59635	A 02	12	103	401-59624
D 01	12	106	401-59639	A 02	12	106	401-78549
D 01	12	108	401-59639	A 02	12	108	401-78550
				A 02	12	114	401-72527
D 01	14	1	700-00252	A 02	14	1	401-59686
D 01	14	2	700-00835	A 02	14	2	401-59687
D 01	14	3	700-00256	A 02	14	3	401-79596
D 01	14	4	700-00539	A 02	14	4	401-79597
D 01	14	5	700-00539	A 02	14	5	401-79597
D 01	14	6	700-00255	A 02	14	6	401-78084
D 01	14	14	700-00250	A 02	14	14	401-59675
D 01	14	20	700-00249	A 02	14	20	401-72535
				A 02	14	80	401-59681
				A 02	14	81	401-59682
				A 02	14	82	401-77859
				A 02	14	83	401-59715
				A 02	14	84	401-76583
D 01	16	3	401-59691	A 02	16	3	700-00407
D 01	16	17	700-00411	A 02	16	17	401-59689
D 01	16	18	700-00418	A 02	16	18	401-79596
D 01	16	19	700-00417	A 02	16	19	401-78084
D 01	16	20	700-00539	A 02	16	20	401-79597
D 01	16	21	700-00539	A 02	16	21	401-79597
D 01	16	35	700-00412	A 02	16	35	401-59690

LIST FOR INFORMATION OF CHANGE (2)

* No.	Rev. No.	Page 頁	Ref. No.	Parts No. 品番	* No.	Rev. No.	Page 頁	Ref. No.	Parts No. 品番
D	01	22	38	401-59708	A	02	22	38	401-59629
D	01	24	56	700-00150	A	02	24	56	401-59718
D	01	26	9	700-00232	A	02	26	9	401-78003
D	01	26	10	700-00844	A	02	26	10	401-59734
D	01	26	11	700-00234	A	02	26	11	401-72528
D	01	26	12	700-00843	A	02	26	12	401-72529
D	01	26	31	401-59730					
D	01	28	12	700-00311	A	02	28	12	401-70670
D	01	28	44	700-00298	A	02	28	44	401-78006
D	01	28	45	700-00300	A	02	28	45	401-78007
D	01	28	46	700-00274	A	02	28	46	401-72530
					A	02	28	75	401-72531
					A	02	28	76	401-78005
					A	02	28	77	700-00561
					A	02	28	78	700-00349
D	01	30	40	700-00319	A	02	30	40	700-00267
					A	02	34	1	401-79483
					A	02	36	1	401-79484
					A	02	38	1	401-79485
					A	02	40	1	401-79486
					A	02	43	26	MDC-270B2100
					A	02	43	27	401-78596
D	01	45	6	401-59645					
D	01	46	16	401-64041	A	02	46	16	700-00735
					A	02	48	-	ALL PARTS - 全部品
D	01	47	-	ALL PARTS - 全部品	A	02	49	-	ALL PARTS - 全部品

# NUMERICAL INDEX OF PARTS

PART NO	PAGE	REF NO.	PART NO	PAGE	REF NO.	PART NO	PAGE	REF NO.
*****	2	6	40159582	6	16·17	40159642	18	99·100
*****	6	25	40159583	6	16·17	40159643	18	107
*****	14	62	40159584	6	21	40159644	16	76
*****	16	62	40159585	6	26·27	40159645	14	1·10
*****	22	56	40159586	6	32	40159646	14	1·10
*****	34	50	40159587	6	33	40159647	14	16·17
*****	36	50	40159589	6	42	40159648	14	18
*****	42	70	40159590	6	30	40159649	16	63·64
40022255	10	57	40159591	6	38	40159650	14	5·6
40159531	2	23	40159592	6	39	40159651	14	16·17
40159532	2	24	40159593	6	26·27	40159652	16	47·48
40159533	2	25	40159601	8	23·47	40159653	16	53~
40159534	2	3	40159602	8	22·46			56·113
40159537	2	26	40159603	8	28	40159654	16	53~
40159538	2	27	40159604	8	3·4·45			56·113
40159539	2	28	40159605	8	3·4·45	40159655	16	53~
40159540	2	29	40159606	8	1·2·44			56·113
40159551	4	31	40159607	8	1·2·44	40159656	18	99·100
40159552	4	18	40159608	8	12	40159657	18	103·104
40159553	4	19	40159613	72	24	40159658	12	29·32
40159554	4	20	40159615	12	1	40159659	10	49·61
40159555	4	9	40159617	12	8	40159660	10	48·60
40159556	4	8	40159618	12	7	40159665	22	74·82·83
40159557	4	1	40159619	12	21·36	40159666	22	70~73
40159558	4	13	40159620	12	30	40159667	22	79
40159559	4	14	40159623	12	21·36	40159668	22	78
40159560	4	15	40159624	18	103·104	40159669	22	77
40159561	4	17	40159625	16	65	40159670	22	57
40159562	4	6	40159626	16	60	40159671	20	29
40159563	4	7	40159627	16	74	40159672	20	30
40159564	4	10	40159628	16	58	40159673	20	36~38
40159565	4	11	40159629	14	27	40159674	20	34
40159571	6	1	40159629	30	38	40159675	20	24~26
40159572	6	4	40159630	16	53~	40159676	22	70~73
40159573	6	2			56·113	40159676	34	33
40159574	6	8	40159631	16	75	40159677	22	70~73
40159574	66	2	40159632	16	109	40159678	20	9·10
40159575	6	7	40159632	18	109	40159679	20	36~38
40159576	6	6	40159633	16	83	40159680	20	36~38
40159576	66	11	40159634	16	110	40159681	20	14·80·81
40159577	6	5	40159634	18	110	40159681	22	14·80·81
40159578	6	13	40159636	16	112	40159682	20	14·80·81
40159579	6	11	40159636	18	112	40159682	22	14·80·81
40159580	6	18	40159640	16	77	40159683	22	59~61
40159581	6	19	40159641	18	87	40159684	20	8
						40159684	24	22



# NUMERICAL INDEX OF PARTS

PART NO	PAGE	REF NO.	PART NO	PAGE	REF NO.	PART NO	PAGE	REF NO.
40159686	20	1·2	40159761	44	26	40164012	8	1·2·44
40159687	20	1·2	40159762	44	23	40164020	68	13·25
40159689	24	17	40159763	44	39	40164021	68	13·25
40159690	24	35	40159764	44	32	40164023	68	22·26
40159692	24	1·2	40159765	46	53	40164024	68	22·26
40159693	24	15·16	40159768	48	4	40164026	68	14
40159694	24	1·2	40159769	48	5	40164027	68	15
40159700	30	25	40159770	48	6	40164028	68	21
40159701	30	27	40159771	48	7	40164029	68	27
40159702	30	16	40159772	48	1·2	40164032	68	28
40159703	30	17	40159773	48	11·12	40164033	70	38
40159703	40	27	40159774	48	8·9	40164034	70	33
40159704	30	18	40159775	48	1·2	40164035	70	39
40159704	40	30	40159776	48	8·9	40164036	70	35
40159705	30	19	40159777	48	11·12	40164037	68	30
40159706	30	20	40159778	48	10	40164038	70	36
40159707	30	1	40159779	48	13	40164039	68	29
40159709	30	32	40159780	58	10	40164042	70	41
40159715	22	74·82·83	40159781	58	11	40164043	70	40
40159715	34	35	40159785	62	2	40164044	68	7~9
40159716	34	15	40159786	62	1	40164045	68	7~9
40159717	34	13	40159787	62	16	40164046	68	7~9
40159718	36	56	40159788	62	17	40164047	68	1~3
40159719	36	57	40159789	62	10	40164048	68	1~3
40159725	72	44	40159790	62	11	40164049	68	1~3
40159726	38	26	40159791	62	12	40164050	68	4·5
40159727	38	19	40159792	62	15	40164051	68	6
40159728	38	18	40159793	62	9	40164052	68	4·5
40159729	38	16·17	40159794	62	7	40164053	68	24
40159732	38	16·17	40159795	62	8	40164055	68	10
40159734	38	9·10	40159796	62	6	40164056	18	53~ 56·113
40159741	40	3	40159800	64	1	40164056	68	12
40159742	40	4	40159801	64	7	40164057	10	22·46
40159743	40	7	40159802	64	8	40164058	10	23·47
40159744	40	5	40159803	64	5	40164058	68	11
40159745	40	1	40159810	66	4	40164059	10	49·61
40159746	40	2	40159811	66	12	40170670	40	12
40159748	40	31	40159812	66	15	40170846	10	54
40159749	40	26	40159813	66	13	40170847	10	55
40159750	40	33	40159814	66	14	40170848	10	56
40159751	40	42	40159815	66	7	40172525	2	4
40159752	40	38	40159817	66	6	40172527	18	37~ 39·114
40159753	40	10	40159855	70	34	40172528	38	11·12
40159754	40	35	40164010	10	48·60	40172529	38	11·12
40159760	44	8	40164011	10	3·4·45			

NUMERICAL INDEX OF PARTS

PART NO	PAGE	REF NO.	PART NO	PAGE	REF NO.	PART NO	PAGE	REF NO.
40172530	40	46	40178611	72	28	70000160	44	27
40172531	42	75	40178612	72	30	70000161	6	14
40172535	20	20	40178613	72	29	70000162	30	33
40176583	22	84	40178615	72	43	70000164	14	7
40177859	22	74·82·83	40178616	72	18	70000168	14	22
40178003	38	9·10	40178617	74	48	70000169	14	19
40178005	42	76	40179483	50	1	70000171	14	13
40178006	40	44	40179484	52	1	70000172	28	2
40178007	40	45	40179485	54	1	70000173	14	3·4
40178084	20	6	40179486	56	1	70000174	14	11·12
40178084	24	19	40179596	20	3	70000175	24	10
40178548	16	82	40179596	24	18	70000176	42	50
40178549	18	106	40179597	20	5	70000177	54	37
40178550	18	108	40179597	24	21	70000177	56	40
40178574	72	1	40179600	72	27	70000178	50	35
40178575	72	2	70000098	66	16	70000178	52	37
40178576	72	4	70000130	8	14	70000179	50	2
40178577	72	9	70000131	30	56	70000179	52	2
40178578	72	11	70000131	32	56	70000179	54	2
40178579	72	12	70000131	40	32	70000179	56	2
40178580	72	13	70000132	36	58	70000180	50	3
40178581	72	19	70000133	34	14	70000180	52	3
40178582	72	22	70000134	12	18	70000180	54	3
40178583	72	20	70000135	34	23	70000180	56	3
40178584	72	15	70000136	6	12	70000181	50	4
40178585	74	47	70000137	32	53	70000181	52	4
40178586	72	26	70000138	34	20	70000181	54	4
40178587	72	34	70000139	26	2	70000181	56	4
40178588	72	31	70000140	30	2	70000182	50	5
40178592	72	42	70000141	12	35	70000182	52	5
40178593	72	36·37	70000141	34	25	70000182	54	5
40178594	72	36·37	70000141	40	16	70000182	56	35
40178595	72	41	70000142	40	11	70000183	50	6
40178596	62	27	70000143	8	34	70000183	52	6
40178596	74	49	70000144	44	15	70000183	54	6
40178597	72	38	70000145	8	32	70000183	56	34
40178598	72	39	70000146	44	33	70000184	52	7
40178599	72	40	70000147	34	19	70000184	54	7
40178600	74	50	70000148	46	52	70000185	52	8
40178605	72	3	70000149	8	35	70000185	54	8
40178606	72	6	70000151	36	53	70000186	50	7
40178607	72	7	70000152	36	54	70000186	52	9
40178608	72	14	70000157	44	24	70000186	54	9
40178609	72	8	70000158	44	25	70000186	56	7
40178610	72	33	70000159	44	28	70000187	56	8

# NUMERICAL INDEX OF PARTS

PART NO	PAGE	REF NO.	PART NO	PAGE	REF NO.	PART NO	PAGE	REF NO.
70000188	50	8	70000217	56	31	70000276	30	28
70000188	52	10	70000218	50	16	70000277	30	34
70000188	54	10	70000218	52	28	70000280	34	11
70000188	56	9	70000218	54	28	70000282	30	40
70000189	50	9	70000218	56	27	70000283	32	55
70000189	52	11	70000219	50	17	70000284	32	52
70000189	54	11	70000219	52	22	70000286	32	54
70000189	56	10	70000219	54	22	70000288	30	43
70000190	50	10	70000219	56	21	70000289	30	42
70000190	52	12	70000222	6	15	70000291	40	39
70000190	54	12	70000229	38	13	70000292	40	20
70000190	56	11	70000230	38	1	70000293	40	17
70000191	50	11	70000235	38	2	70000294	40	22
70000191	52	35	70000236	38	8	70000295	40	23
70000191	54	35	70000237	38	4	70000297	42	47
70000191	56	38	70000239	20	22	70000301	40	41
70000192	50	12	70000240	20	21	70000302	40	40
70000192	52	13	70000241	20	35	70000303	42	51
70000192	54	13	70000243	20	28	70000304	42	55
70000192	56	12	70000246	22	63	70000309	40	13
70000193	20	32	70000247	22	62	70000312	44	17
70000194	22	51	70000248	20	39	70000314	8	41
70000195	22	53	70000251	20	16	70000317	26	36
70000196	22	59~61	70000253	20	11・12	70000317	34	45
70000197	22	45	70000254	20	9・10	70000318	44	41
70000198	22	46	70000257	8	39	70000322	46	62
70000199	24	15・16	70000258	44	46	70000323	44	66
70000200	22	52	70000259	8	38	70000323	46	66
70000201	22	50	70000260	44	45	70000324	46	60
70000202	22	44	70000261	44	29	70000325	44	11
70000203	16	84	70000262	44	30	70000326	44	21
70000211	16	111	70000263	58	2	70000327	44	1
70000211	18	111	70000263	64	3	70000328	44	19
70000213	16	85	70000264	58	1	70000329	44	9
70000215	50	13	70000264	64	2	70000332	58	7
70000215	52	34	70000265	58	6	70000334	4	5
70000215	54	34	70000266	12	11	70000335	16	70
70000215	56	33	70000267	12	10	70000336	16	67
70000216	50	14	70000267	44	40	70000337	16	66
70000216	52	33	70000268	22	42	70000338	58	5
70000216	54	33	70000269	38	3	70000339	58	8
70000216	56	32	70000270	24	29	70000340	58	4
70000217	50	15	70000270	26	28	70000341	8	26
70000217	52	32	70000273	44	34	70000342	22	64
70000217	54	32	70000275	30	29	70000343	24	33

# NUMERICAL INDEX OF PARTS

PART NO	PAGE	REF NO.	PART NO	PAGE	REF NO.	PART NO	PAGE	REF NO.
70000344	30	3	70000389	28	17	70000444	60	1
70000345	30	4	70000390	28	18	70000445	12	34
70000346	26	37	70000391	28	11	70000446	34	12
70000346	36	46	70000392	28	12	70000448	28	23
70000347	38	14	70000393	28	13	70000449	8	43
70000348	58	12	70000394	28	14	70000450	30	9
70000349	30	5	70000395	28	15	70000452	4	25
70000349	42	78	70000396	28	3	70000452	28	28
70000350	22	55	70000397	28	1	70000452	66	9
70000350	72	45	70000398	28	4	70000453	4	24
70000351	26	22	70000399	38	30	70000453	28	27
70000352	58	15	70000399	62	20	70000454	50	34
70000353	30	15	70000400	38	31	70000454	52	30
70000354	50	18	70000401	38	38	70000454	54	30
70000354	52	14	70000402	38	28·29	70000454	56	29
70000354	54	14	70000403	38	33·34	70000455	50	20
70000354	56	13	70000404	4	22	70000455	52	16
70000355	40	34	70000405	24	12	70000455	54	16
70000356	34	29	70000406	24	4	70000455	56	15
70000357	26	5	70000407	24	3	70000456	50	21
70000358	32	57	70000409	24	32	70000456	52	23
70000359	28	5	70000410	24	31	70000456	54	23
70000359	66	10	70000410	26	34	70000456	56	22
70000361	34	10	70000410	34	32	70000458	34	30
70000362	12	17	70000413	24	25	70000458	40	29
70000363	2	1	70000414	24	37	70000460	8	13
70000365	2	2	70000415	24	24	70000461	26	16
70000368	4	2	70000416	24	36	70000462	26	18
70000369	30	23	70000419	42	62	70000463	26	6
70000370	30	22	70000420	42	63	70000464	26	7
70000372	30	6	70000422	34	39	70000465	26	15
70000373	30	7	70000423	34	40	70000466	26	17
70000374	34	4	70000428	44	20	70000467	26	8
70000375	34	5	70000429	34	41	70000469	16	44·45
70000379	30	8	70000430	8	31	70000470	26	31
70000380	24	6	70000431	8	30	70000471	26	30
70000380	26	24	70000432	12	14	70000472	26	35
70000381	44	35	70000433	34	36	70000473	26	26
70000382	44	36	70000434	38	6	70000474	26	23
70000383	28	22	70000435	34	16	70000475	26	20
70000384	28	9	70000436	38	5	70000476	26	21
70000385	28	25	70000437	12	13	70000477	26	33
70000386	28	24	70000438	58	3	70000478	26	9
70000387	28	6	70000438	64	4	70000479	26	1
70000388	28	16	70000443	2	5	70000480	42	64

NUMERICAL INDEX OF PARTS

PART NO	PAGE	REF NO.	PART NO	PAGE	REF NO.	PART NO	PAGE	REF NO.
70000481	6	28-41	70000515	2	21	70000532	44	68
70000482	58	16	70000515	4	29	70000532	46	68
70000483	58	17	70000515	22	43	70000533	44	37
70000484	58	14	70000515	38	39	70000534	44	5
70000485	58	18	70000515	40	21	70000535	8	10
70000490	4	4	70000516	4	21	70000536	8	50
70000493	4	28	70000516	16	61	70000536	10	50
70000494	4	27	70000517	22	66	70000537	42	67
70000495	30	10	70000517	24	27	70000538	20	31
70000496	42	65	70000517	38	32	70000538	42	73
70000496	68	18	70000518	4	23	70000538	68	32
70000497	16	72	70000518	28	30	70000538	70	32
70000498	14	34	70000518	44	38	70000540	58	19
70000498	20	15	70000518	48	17	70000541	58	20
70000498	28	26	70000519	28	7	70000542	30	11
70000498	62	19	70000520	6	22	70000543	2	10
70000498	72	25	70000520	44	18	70000544	2	11
70000499	42	66	70000521	8	33	70000545	20	7
70000500	42	72	70000521	22	49	70000545	24	23
70000500	68	37	70000521	38	35	70000546	8	51
70000500	70	37	70000521	44	31	70000546	10	51
70000501	22	54	70000522	2	8	70000547	50	22
70000502	30	44	70000522	8	40	70000547	52	17
70000503	12	33	70000522	12	15	70000547	54	17
70000503	30	39	70000522	22	76	70000547	56	36
70000504	22	58	70000522	24	38	70000548	34	21
70000505	16	57	70000522	34	37	70000549	14	9
70000505	24	11	70000522	38	27	70000549	66	5
70000505	42	71	70000522	40	53	70000550	2	12
70000505	68	31	70000522	42	53	70000550	16	73
70000506	24	14	70000522	46	67	70000552	30	26
70000508	8	21	70000522	72	35	70000554	8	16
70000508	26	27	70000523	30	21	70000555	6	24
70000508	36	55	70000524	38	37	70000555	14	46
70000508	74	46	70000525	24	13	70000555	16	46
70000509	34	51	70000525	26	29	70000557	28	21
70000509	36	51	70000526	16	71	70000558	34	6
70000510	38	15	70000526	48	15-16	70000558	68	23
70000511	24	9	70000527	46	65	70000559	14	14
70000512	30	13	70000528	4	12	70000560	20	33
70000513	14	86	70000528	40	37	70000561	26	11
70000513	18	86	70000529	2	22	70000561	42	77
70000513	28	10	70000530	36	52	70000562	8	17
70000514	26	38	70000531	24	7	70000563	4	26
70000514	36	47	70000531	26	25	70000563	6	20

# NUMERICAL INDEX OF PARTS

PART NO	PAGE	REF NO.	PART NO	PAGE	REF NO.	PART NO	PAGE	REF NO.
70000563	28	29	70000590	26	32	70000631	44	3
70000564	8	6	70000590	30	24	70000632	12	23
70000565	8	7	70000590	34	28	70000633	12	22
70000566	42	48	70000590	38	25	70000635	12	20
70000567	14	35-36	70000592	40	24	70000636	12	26
70000569	6	37	70000593	12	24	70000637	12	16
70000570	6	36	70000593	20	23	70000638	12	25
70000571	28	19	70000593	72	32	70000639	12	19
70000572	14	26	70000598	14	28	70000640	12	3
70000572	36	48	70000600	32	58	70000643	12	2
70000573	6	40	70000601	30	12	70000646	12	5
70000574	4	3	70000602	30	35	70000652	14	25
70000575	46	59	70000603	38	36	70000653	14	24
70000576	28	8	70000604	40	25	70000654	12	29-32
70000577	4	16	70000605	40	43	70000657	44	64
70000577	6	35	70000606	42	68	70000657	46	64
70000578	12	9	70000608	40	9	70000658	44	22
70000578	38	20	70000609	42	69	70000658	48	14
70000579	50	23	70000610	28	31	70000659	2	14
70000579	52	18	70000611	50	27	70000660	6	29
70000579	54	18	70000611	52	27	70000661	20	17
70000579	56	17	70000611	54	27	70000662	30	36
70000580	50	31	70000611	56	26	70000664	40	14
70000580	52	25	70000612	8	52	70000665	30	41
70000580	54	25	70000612	10	52	70000666	30	31
70000580	56	24	70000613	22	65	70000667	24	5
70000581	50	25	70000614	24	34	70000669	40	15
70000581	52	20	70000615	50	28	70000670	2	15
70000581	54	20	70000615	52	31	70000671	2	16
70000581	56	37	70000615	54	31	70000672	2	17
70000582	30	50	70000615	56	30	70000673	42	49
70000582	32	50	70000616	26	12	70000674	44	16
70000582	46	47	70000617	58	13	70000675	44	14
70000583	32	47	70000618	50	29	70000676	12	31
70000584	40	28	70000618	52	21	70000676	72	21
70000586	2	13	70000618	54	21	70000677	12	12
70000587	22	68	70000618	56	20	70000678	20	27
70000588	12	4	70000619	8	8	70000679	22	69
70000588	72	5	70000620	8	9	70000681	34	8
70000589	50	26	70000626	14	29	70000682	34	27
70000589	52	36	70000627	14	30	70000683	34	3
70000589	54	36	70000628	14	37~ 39-114	70000684	34	7
70000589	56	39	70000629	14	23	70000685	34	26
70000590	20	13	70000630	16	69	70000686	34	42
70000590	24	39				70000688	34	31

# NUMERICAL INDEX OF PARTS

PART NO	PAGE	REF NO.	PART NO	PAGE	REF NO.	PART NO	PAGE	REF NO.
70000689	34	43	70000748	20	41	MDC270B0900	62	21~25
70000693	44	6	70000749	20	40	MDC270B1100	62	21~25
70000694	8	18	70000750	8	29	MDC270B1400	62	21~25
70000694	32	51	70000751	24	8	MDC270B1600	62	21~25
70000695	8	37	70000752	24	30	MDC270B2100	62	26
70000696	8	42	70000753	2	18	SS6111010TP	10	59
70000697	26	13	70000754	2	19	SS6120940SP	10	58
70000698	30	37	70000755	4	30			
70000699	8	36	70000757	62	3			
70000700	8	20	70000758	62	14			
70000701	8	15	70000759	62	4			
70000703	26	14	70000760	62	5			
70000704	16	59	70000761	62	18			
70000706	60	2	70000763	62	13			
70000707	58	9	70000767	64	6			
70000710	46	57	70000804	72	23			
70000711	46	58	70000807	22	70~73			
70000712	46	55	70000812	22	59~61			
70000713	46	48	70000813	38	33·34			
70000714	46	54	70000820	6	28·41			
70000715	44	44	70000822	14	5·6			
70000716	44	43	70000827	16	44·45			
70000717	46	56	70000828	14	37~			
70000720	38	23·24			39·114			
70000721	38	21·22	70000829	14	37~			
70000728	12	27			39·114			
70000728	20	18	70000831	14	35·36			
70000728	72	17	70000832	14	3·4			
70000729	12	28	70000833	14	11·12			
70000729	20	19	70000834	20	11·12			
70000729	72	16	70000841	38	23·24			
70000731	34	38	70000842	38	21·22			
70000732	34	44	70000845	38	28·29			
70000733	34	24	70000847	16	50			
70000734	34	22	70000848	16	51·52			
70000735	42	74	70000849	16	49			
70000735	68	16	70000850	16	63·64			
70000736	6	10	70000854	58	21			
70000737	8	11	70000884	60	3			
70000738	32	48	70000885	16	51·52			
70000739	32	49	70000887	16	47·48			
70000740	30	46	70000908	6	9			
70000741	30	45	70000908	66	8			
70000744	6	34	70000928	10	53			
70000745	6	23	70001060	48	15·16			
			MDC270B0800	62	21~25			