

MODEL : LU-2810/LU-28107/LU-2860/LU-2860-7/LU-2818-7/LU-2868-7/  
LU-2810-7/X73178  
List No : 1677-00

# PARTS LIST

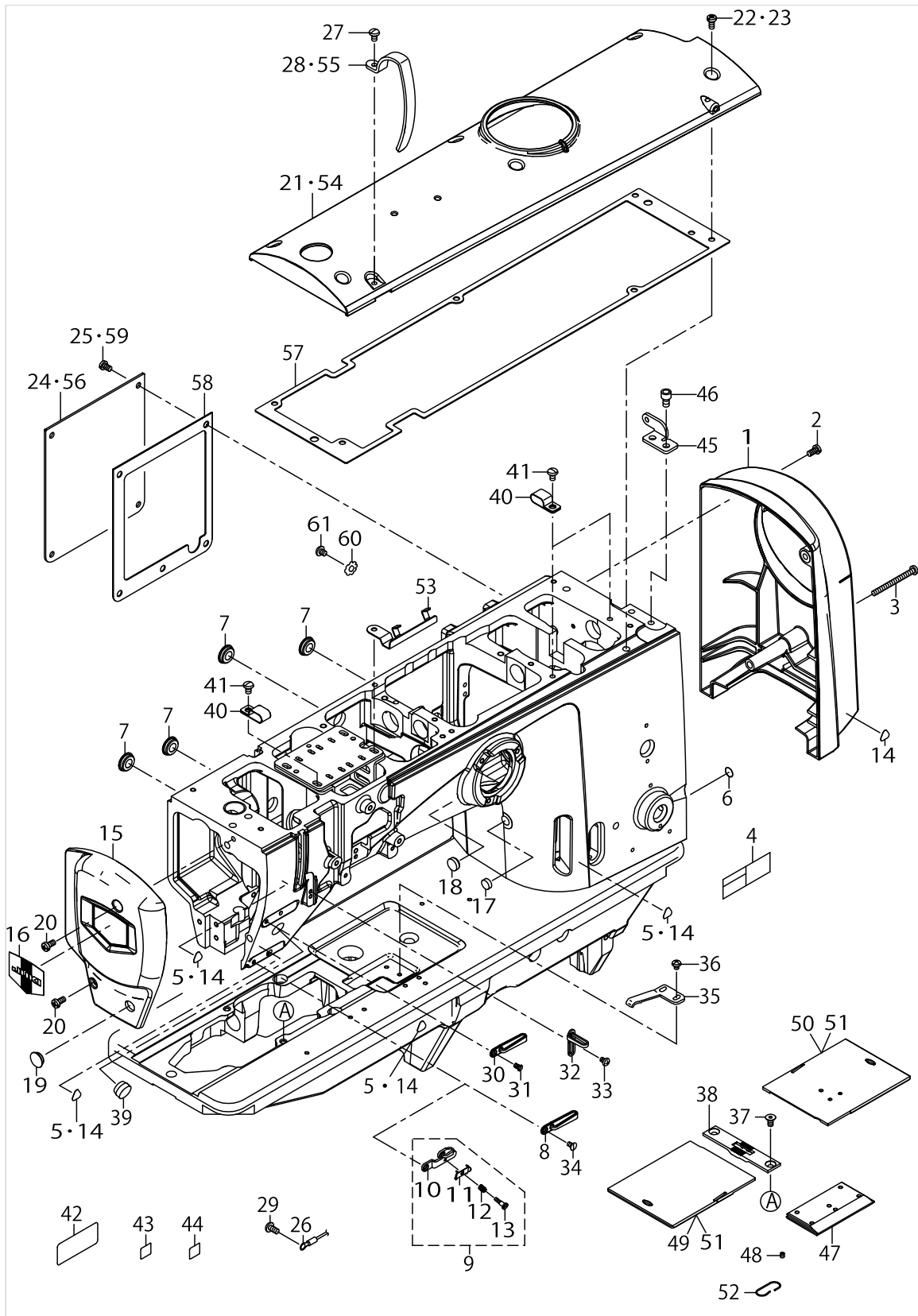
Published:05/12/2017

## CONTENTS

---

FRAME & MISCELLANEOUS COVER COMPONENTS .....	1
MAIN SHAFT & THREAD TAKE-UP LEVER COMPONENTS .....	7
NEEDLE BAR COMPONENTS .....	11
LOWER SHAFT COMPONENTS.....	17
OPENNER COMPONENTS .....	27
HOOK COMPONENTS.....	31
UPPER FEED COMPONENTS.....	35
HAND LIFTER & AUTO LIFTER COMPONENTS.....	41
KNEE LIFTER COMPONENTS (FOR LU-2810,2860).....	43
LOWER FEED COMPONENTS.....	45
FEED ADJUST COMPONENTS (FOR LU-2810,2860,2810-7,2860-7,2810-7/X73178).....	49
FEED ADJUST COMPONENTS (FOR LU-2818-7,2868-7) .....	55
DL COMPONENTS (FOR LU-2810-7,2860-7,2818-7,2868-7,2810-7/X73178).....	61
AUTO BT COMPONENTS (FOR LU-2810-7,2860-7,2810-7/X73178).....	63
AUTO BT COMPONENTS (FOR LU-2818-7,2868-7) .....	65
6-RANGE SW COMPONENTS (FOR LU-2810-7,2860-7,2818-7,2868-7,2810-7/X73178).....	67
SPEED ADJUST COMPONENTS (FOR LU-2810-7,2860-7,2818-7,2868-7,2810-7/X73178).....	69
THREAD CUTTING COMPONENTS (FOR LU-2810-7,2860-7,2818-7,2868-7,2810-7/X73178).....	71
CONDENSE COMPONENTS (FOR LU-2818-7,2868-7).....	79
THREAD TENSION COMPONENTS (FOR LU-2810,2810-7,2818-7,2810-7/X73178).....	81
THREAD TENSION COMPONENTS (FOR LU-2860,2860-7,2868-7) .....	83
TENSION RELEASE COMPONENTS (FOR LU-2810-7,2860-7,2818-7,2868-7,2810-7/X73178).....	87
PNEUMATIC COMPONENTS (FOR LU-2810-7,2860-7,2818-7,2868-7,2810-7/X73178).....	89
BOBBIN WINDER COMPONENTS.....	91
LUBRICATION COMPONENTS (FOR LU-2810,2810-7,2818-7,2810-7/X73178).....	93
LUBRICATION COMPONENTS (FOR LU-2860,2860-7,2868-7) .....	97
THREAD STAND COMPONENTS (FOR LU-2810,2810-7,2818-7,2810-7/X73178).....	103
THREAD STAND COMPONENTS (FOR LU-2860,2860-7,2868-7).....	105
BOTTOM COVER & BELT COVER COMPONENTS .....	107
ACCESSORIES PARTS COMPONENTS .....	109
TABLE OF EXCHANGING GAUGE PARTS (FOR LU-2810,2810-7,2818-7).....	113
TABLE OF EXCHANGING GAUGE PARTS (FOR LU-2860,2860-7,2868-7).....	114
TABLE OF EXCHANGING GAUGE PARTS SET.....	115
TABLE OF OPTIONAL GAUGE PARTS .....	116
TABLE OF OPTIONAL GAUGE PARTS (FOR LU-2810S,2810S-7) .....	117
TABLE OF OPTIONAL GAUGE PARTS (FOR LU-2810A,2810A-7,2818A-7).....	118
TABLE OF OPTIONAL GAUGE PARTS (FOR LU-2860S,2860S-7) .....	119
TABLE OF OPTIONAL GAUGE PARTS (FOR LU-2860A,2860A-7,2868A-7).....	120
GREASE COMPONENTS (OPTIONAL PARTS) .....	121
SUSPENSION SQUARE COMPONENTS (OPTIONAL PARTS) .....	123
HOW TO MAKE USE OF THIS PARTS LIST .....	125

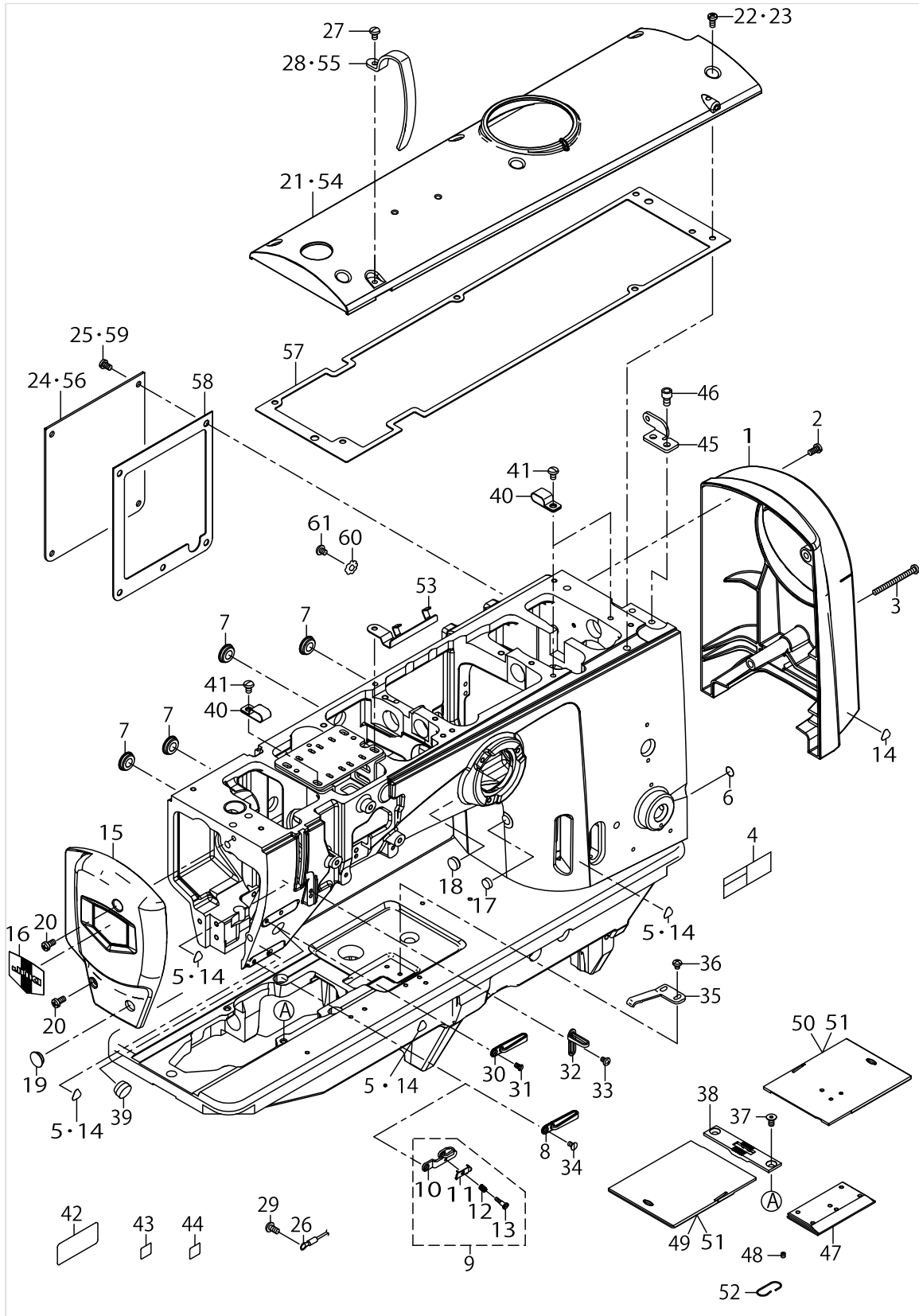
FRAME & MISCELLANEOUS COVER COMPONENTS



FRAME & MISCELLANEOUS COVER COMPONENTS

No.	Supply Code	Parts No.	Replacement	Parts name	Remarks	Choice	Step	Level	Cons	Qty	Rep. QTY
1		40130705		MOTOR_COVER	FOR LU-2-810-7,2860-7, 2818-7,-2868-7,281-0-7/X73178					1	
2		SM4051055SP		SCREW	FOR LU-2-810-7,2860-7, 2818-7,-2868-7,281-0-7/X73178					2	
3		SM4055501SC		SCREW M5X0.8 L=55	FOR LU-2-810-7,2860-7, 2818-7,-2868-7,281-0-7/X73178					1	
4		40102261		SAFETY_LABEL_S						1	
5		CM300200001		ATTENTION SEAL	FOR LU-2810,2860					4	
6		22901805		GROUND MARK						1	
7		TA1650406R0		PRUG						4	
8		40084142		THREAD_GUIDE_LOWER	FOR LU-2810,2860					1	
9		40034675		THREAD_GUIDE_ASM_E	FOR LU-2-810-7,2860-7, 2818-7,-2868-7,281-0-7/X73178					1	
10		40034674		THREAD_GUIDE				*		1	
11		40042716		THREAD_PRESSER_PLATE				*		1	
12		B1132521000		THREAD PRESSER PLATE SPRING				*		1	
13		SD0380556TL		SHOULDER SCREW D=3.8 H=5.5				*		1	
14		CM300200001		ATTENTION SEAL	FOR LU-2-810-7,2860-7, 2818-7,-2868-7,281-0-7/X73178					5	
15		40130704		FACE_PLATE						1	
16		22902506		FACE PLATE						1	
17		TA1030402R0		RUBBER PLUG D=10.3 L=4						1	
18		TA1270502R0		RUBBER PLUG						1	
19		TA1250406R0		RUBBER PLUG D=12.5 L=4						1	
20		SM4051055SP		SCREW						2	
21		40130706		TOP_COVER	FOR LU-2-810,2860,2-810-7, 286-0-7,2810-7/X7317					1	
22		SM4051055SP		SCREW	FOR LU-2-810-7,2860-7, 2818-7,-2868-7,281-0-7/X73178					6	
23		SM4051055SP		SCREW	FOR LU-2810,2860					9	
24		40130703		APERTURE_COVER	FOR LU-2-810,2860,2-810-7, 286-0-7,2810-7/X7317					1	
25		SM4050855SP		SCREW	FOR LU-2-810,2860,2-810-7, 286-0-7,2810-7/X7317					4	
26		22951552		GROUND WIRE ASM.	FOR LU-2-810-7,2860-7, 2818-7,-2868-7,281-0-7/X73178					1	

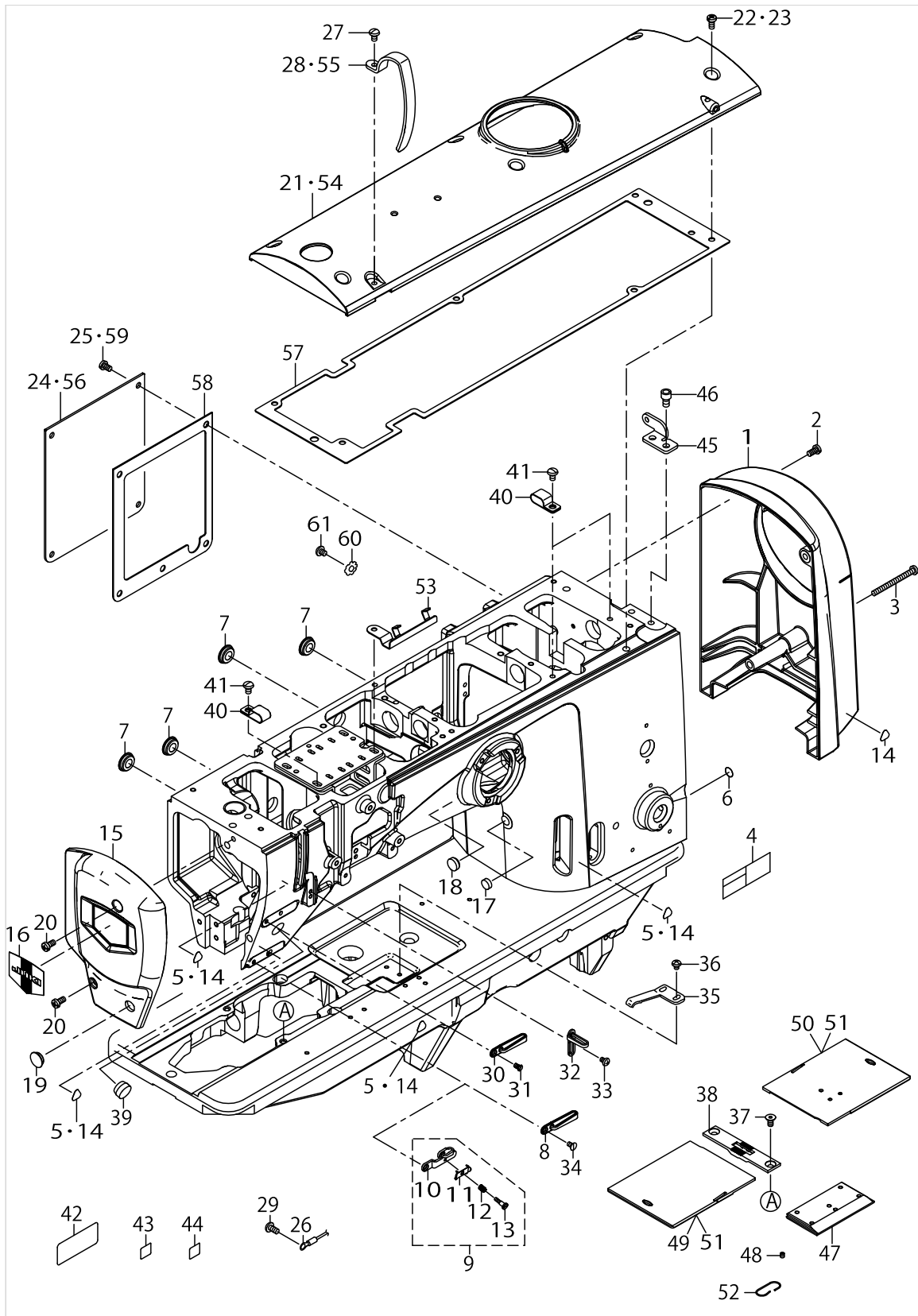
FRAME & MISCELLANEOUS COVER COMPONENTS



FRAME & MISCELLANEOUS COVER COMPONENTS

No.	Supply Code	Parts No.	Replacement	Parts name	Remarks	Choice	Step	Level	Cons	Qty	Rep. QTY
27		SM4040855SP		SCREW						1	
28		23600505		THREAD TAKE-UP LEVER COVER	FOR LU-2-810,2860,2-810-7, 2860-7					1	
29		SM4051055SP		SCREW	FOR LU-2-810-7,2860-7, 2818-7,-2868-7,2810-7/X73178					1	
30		40084142		THREAD_GUIDE_LOWER						1	
31		SM1040750TP		SCREW M4 L=7						1	
32		40126221		THREAD_GUIDE						1	
33		SM4040655SP		SCREW M4 L=6						1	
34		SM1040750TP		SCREW M4 L=7						1	
35		B1111563000		BED SLIDE SPRING						1	
36		SM4040655SP		SCREW M4 L=6						2	
37		SM1051052TN		PLATE SCREW M5 L=10						2	
38		40126349		THROAT_PLATE_2810	EXCHANGI-NG GAUGE PARTS (S-EE.P.53,54)					1	
39		TA1550902R0		PLUG						1	
40		D2112555B00		CORD HOLDER LARGE	FOR LU-2-810-7,2860-7, 2818-7,-2868-7,2810-7/X73178					3	
41		SM4050855SP		SCREW	FOR LU-2-810-7,2860-7, 2818-7,-2868-7,2810-7/X73178					2	
42	D	40094561		SEWING MACHINE LABEL (EU)	FOR JE					1	
43		CM600100101		WEEE MARK LABEL S	FOR JE					1	
44		40150131		EAC_MARK_LABEL_S	FOR JE					1	
45		40112277		PLATE	FOR LU-2810,2860					1	
46		SM6061002TP		SCREW M6 L=10	FOR LU-2810,2860					2	
47		40147918		SLIDE_PLATE_FRONT	EXCHANGI-NG GAUGE PARTS (S-EE.P.53,54)					1	
48		SM8040412TP		SET SCREW M4 L=4	FOR LU-2-810A,2810-A-7,2860A, 2860A-7,2-818A-7,28-68A-7, 2810-7/X73178					1	
49		40112224		SLIDE_PLATE_2810L	EXCHANGI-NG GAUGE PARTS (S-EE.P.53,54)					2	
50		40112225		SLIDE_PLATE_2810R	EXCHANGI-NG GAUGE PARTS (S-EE.P.53,54)					1	
51		40127056		SLIDE_PLATE_2860R	EXCHANGI-NG GAUGE PARTS (S-EE.P.53,54)					1	

FRAME & MISCELLANEOUS COVER COMPONENTS

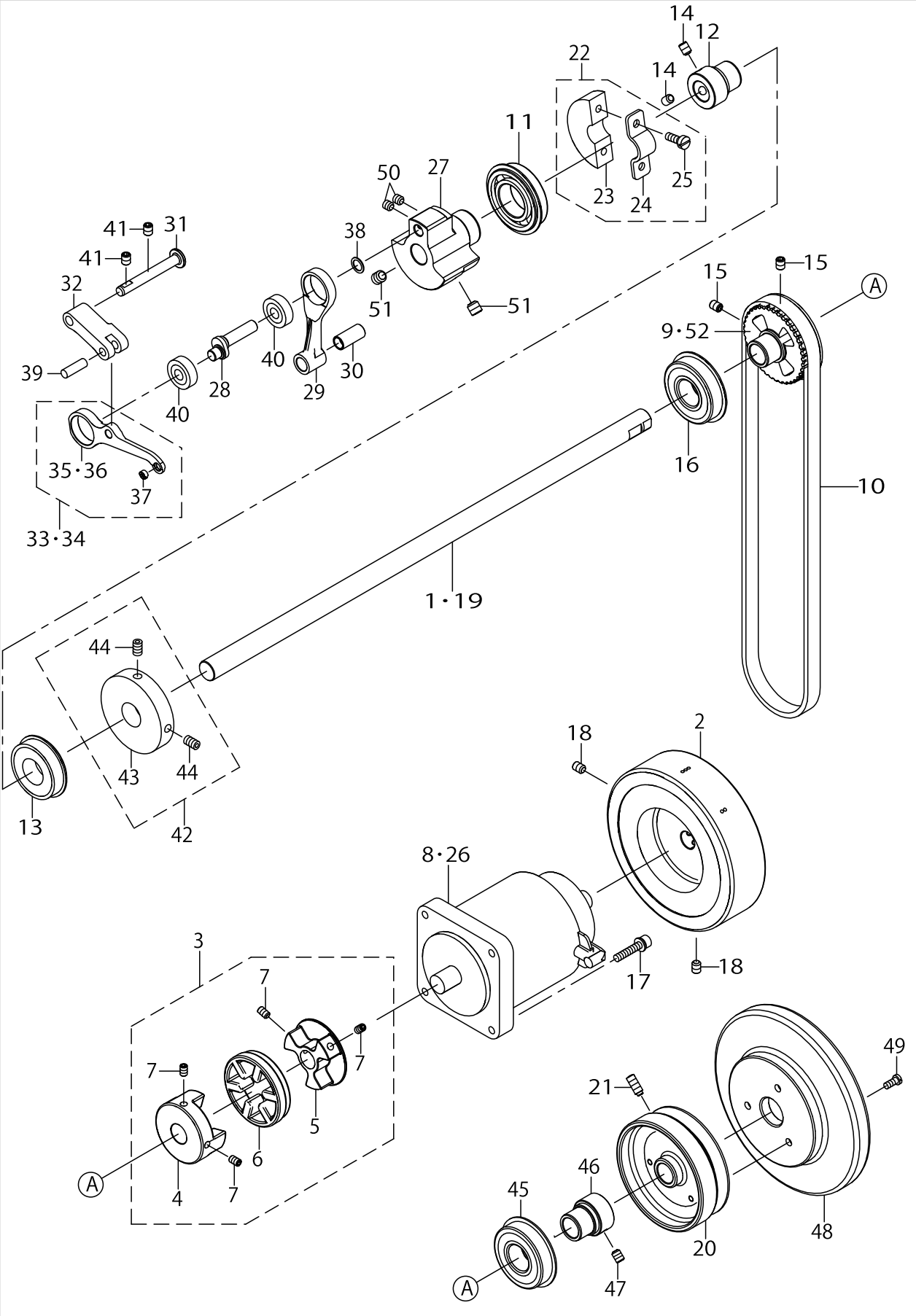


FRAME & MISCELLANEOUS COVER COMPONENTS

No.	Supply Code	Parts No.	Replacement	Parts name	Remarks	Choice	Step	Level	Cons	Qty	Rep. QTY
52		B111105100B		SPRING	FOR LU-2-810A,2810-A-7,2860A,2860A-7,2-818A-7,28-68A-7, 281-0-7/X73178					1	
53		40134805		CABLE HOLDER	FOR LU-2-810-7,2860-7, 2818-7,-2868-7,281-0-7/X73178					1	
54		40148283		TOP COVER LP	FOR LU-2-818-7,2868-7					1	
55		40134834		THREAD_TAKE_UP_LEVER COVER	FOR LU-2-818-7,2868-7, 2810-7/X7317					1	
56		40129995		APERTURE_COVER	FOR LU-2-818-7,2868-7					1	
57		40147919		TOP_COVER_PACKING						1	
58		40151799		WINDOW_PLATE_PACKING						1	
59		SM4051055SP		SCREW	FOR LU-2-818-7,2868-7					5	
60		WT0530002KS		TOOTHED WASHER D=5.3	FOR LU-2810,2860					1	
61		SM4050655SP		SCREW M5 L=6	FOR LU-2810,2860					1	



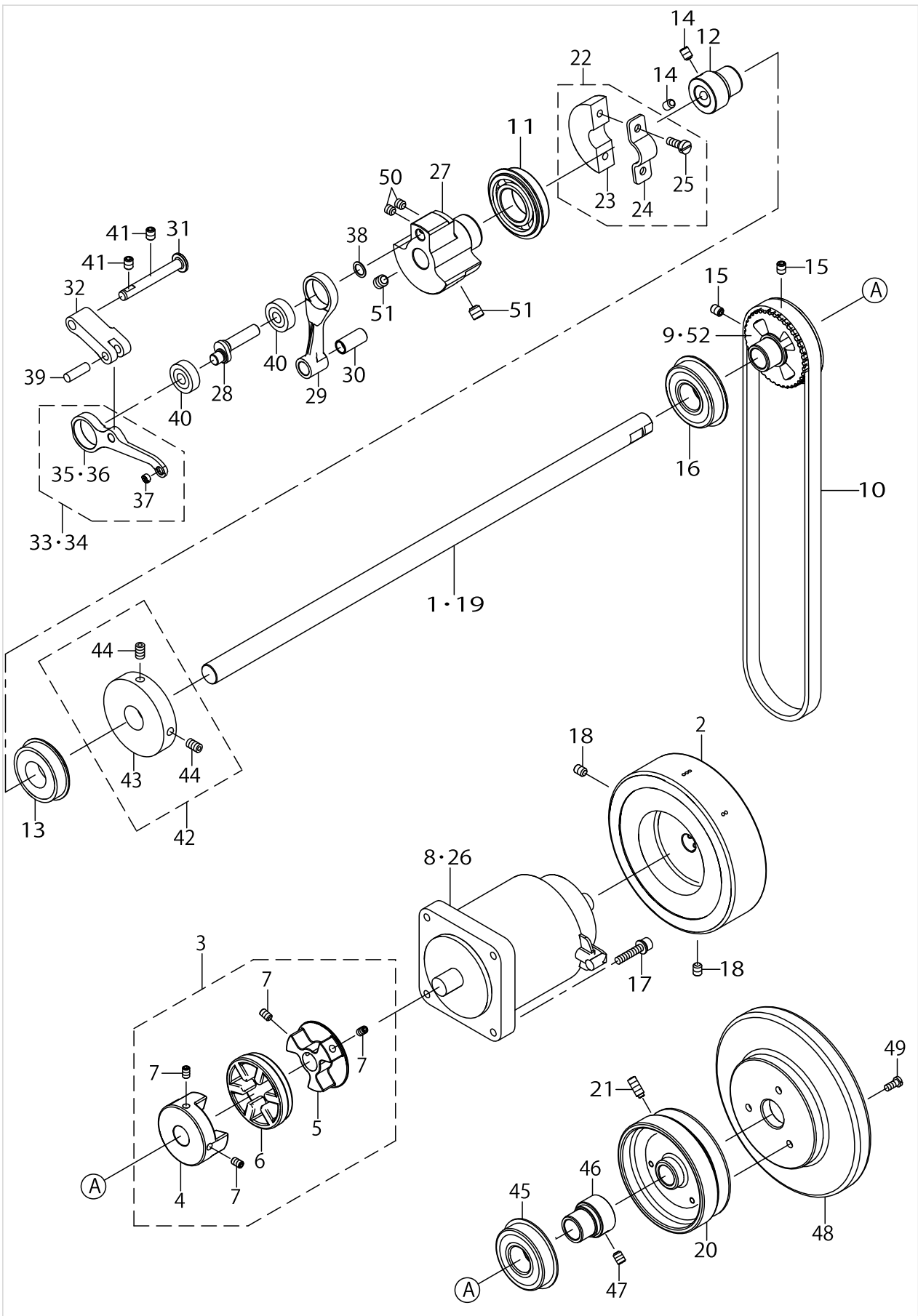
MAIN SHAFT & THREAD TAKE-UP LEVER COMPONENTS



MAIN SHAFT & THREAD TAKE-UP LEVER COMPONENTS

No.	Supply Code	Parts No.	Replacement	Parts name	Remarks	Choice	Step	Level	Cons	Qty	Rep. QTY
1		40112087		MAIN_SHAFT_DD	FOR LU-2-810-7,2860-7, 2818-7,-2868-7, 28-10-7/X73178					1	
2		40130702		HAND_WHEEL	FOR LU-2-810-7,2860-7, 2818-7,-2868-7, 28-10-7/X73178					1	
3		40112312		COUPLING_ASSY	FOR LU-2-810-7,2860-7, 2818-7,-2868-7, 28-10-7/X73178					1	
4	R	40130277	40112312	HUB_L	FOR LU-2-810-7,2860-7, 2818-7,-2868-7, 28-10-7/X73178			*		1	1.00
5		40112106		HUB_R	FOR LU-2-810-7,2860-7, 2818-7,-2868-7, 28-10-7/X73178			*		1	
6	R	40125950	40112312	SPIDER	FOR LU-2-810-7,2860-7, 2818-7,-2868-7, 28-10-7/X73178			*		1	1.00
7		SM8050812TP		SCREW M5X8	FOR LU-2-810-7,2860-7, 2818-7,-2868-7, 28-10-7/X73178			*		4	
8		40151488		SERVO_MOTOR_550W	FOR LU-2-810-7,2818-7					1	
9		40126321		SPROCKET_UPPER	FOR LU-2-810-7,2860-7, 2818-7,-2868-7, 28-10-7/X73178					1	
10		40112274		TIMING_BELT					☆	1	
11		40143083		BUSHING						1	
12		23605207		MAIN SHAFT BEARING SUPPORT						1	
13		SB120001800		BEARING						1	
14		SM80608A2TP		SCREW M6 L=8						2	
15		SM8060812TP		SCREW M6 L=8						2	
16		40143088		BEARING	FOR LU-2-810-7,2860-7, 2818-7,-2868-7, 28-10-7/X73178					1	
17		SL6052592TN		BOLT	FOR LU-2-810-7,2860-7, 2818-7,-2868-7, 28-10-7/X73178					4	
18		SM8060812TP		SCREW M6 L=8	FOR LU-2-810-7,2860-7, 2818-7,-2868-7, 28-10-7/X73178					2	
19		40112088		MAIN_SHAFT	FOR LU-2810,2860					1	
20		40112299		HAND_WHEEL_A	FOR LU-2810,2860					1	
21		SS8151550SP		SCREW15/64-28L=15	FOR LU-2810,2860					2	
22		40010437		CRANK_BALANCER_ASM.						1	

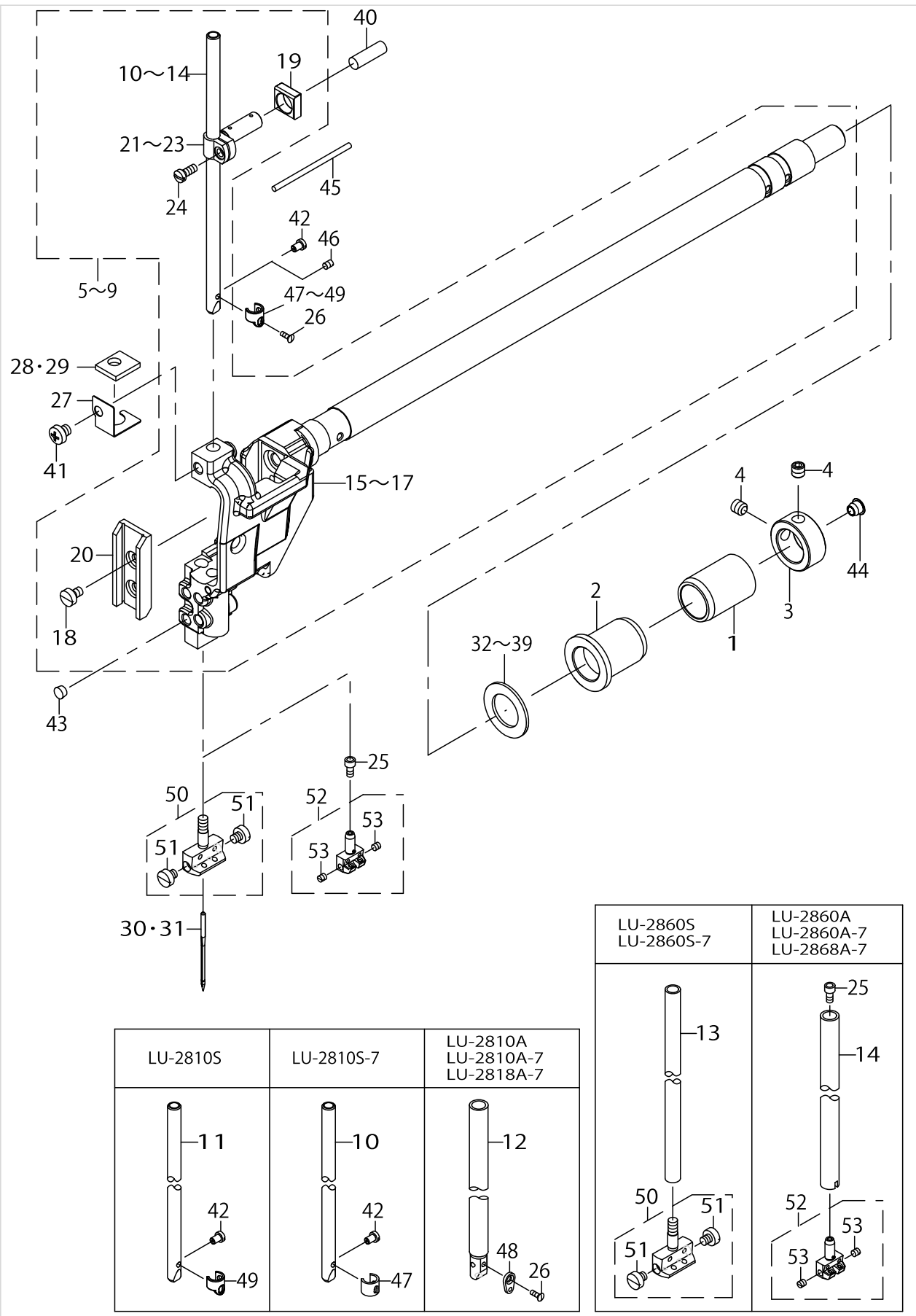
MAIN SHAFT & THREAD TAKE-UP LEVER COMPONENTS



MAIN SHAFT & THREAD TAKE-UP LEVER COMPONENTS

No.	Supply Code	Parts No.	Replacement	Parts name	Remarks	Choice	Step	Level	Cons	Qty	Rep. QTY
23	R	40010438	40010437	CRANK_BALANCER				*		1	1.00
24		40010439		CRANK_BALANCER_FIX_PLATE				*		1	
25		40010440		CRANK_BALANCER_FIX_PLATE_SCREW				*		2	
26		40126244		AC SERVO MOTOR	FOR LU-2-860-7,2868-7					1	
27		40112091		COUNTER_WEIGHT						1	
28		40112092		NEEDLE_BAR_CRANK						1	
29		40112093		NEEDLE_BAR_CRANK_ROD						1	
30		40112094		CRANK_ROD_BUSH						1	
31		40011902		THREAD_TAKE_UP_CRANK_SHAFT						1	
32		40125930		TAKE_UP_LEVER_CRANK						1	
33		40127049		THREAD_TAKE_UP_ASM.	FOR LU-2-810,2860, 2-810-7,2860-7					1	
34		40134545		THREAD_TAKE_UP_ASM.	FOR LU-2-818-7,2868-7, 2810-7/X73178					1	
35		40125939		THREAD_TAKE_UP	FOR LU-2-810,2860, 2-810-7,2860-7			*		1	
36		40134532		THREAD_TAKE_UP	FOR LU-2-818-7,2868-7, 2810-7/X73178			*		1	
37		10546901		BUSH				*		1	
38		WP0820516SP		WASHER 11.6X8.2X0.6						1	
39		10721504		FEED ADJUSTING PIN						1	
40		SB108002400		BEARING						2	
41		SM8060812TP		SCREW M6 L=8						2	
42		40010533		BTW_DRIVING_WHEEL_ASM.						1	
43	R	40010534	40010533	BTW_DRIVING_WHEEL				*		1	1.00
44		40010535		DRIVING_WHEEL_SCREW				*		2	
45		SB120002700		BEARING	FOR LU-2810,2860					1	
46		23605207		MAIN SHAFT BEARING SUPPORT	FOR LU-2810,2860					1	
47		SM80608A2TP		SCREW M6 L=8	FOR LU-2810,2860					2	
48		40026457		HAND WHEEL B	FOR LU-2810,2860					1	
49		SM4051055SP		SCREW	FOR LU-2810,2860					3	
50		SM8060612TP		SCREW M6 L=6						2	
51		SM8080812TP		SCREW M8X8						2	
52		40028116		MAIN_SHAFT_SPROCKET	FOR LU-2810,2860					1	

# NEEDLE BAR COMPONENTS



NEEDLE BAR COMPONENTS

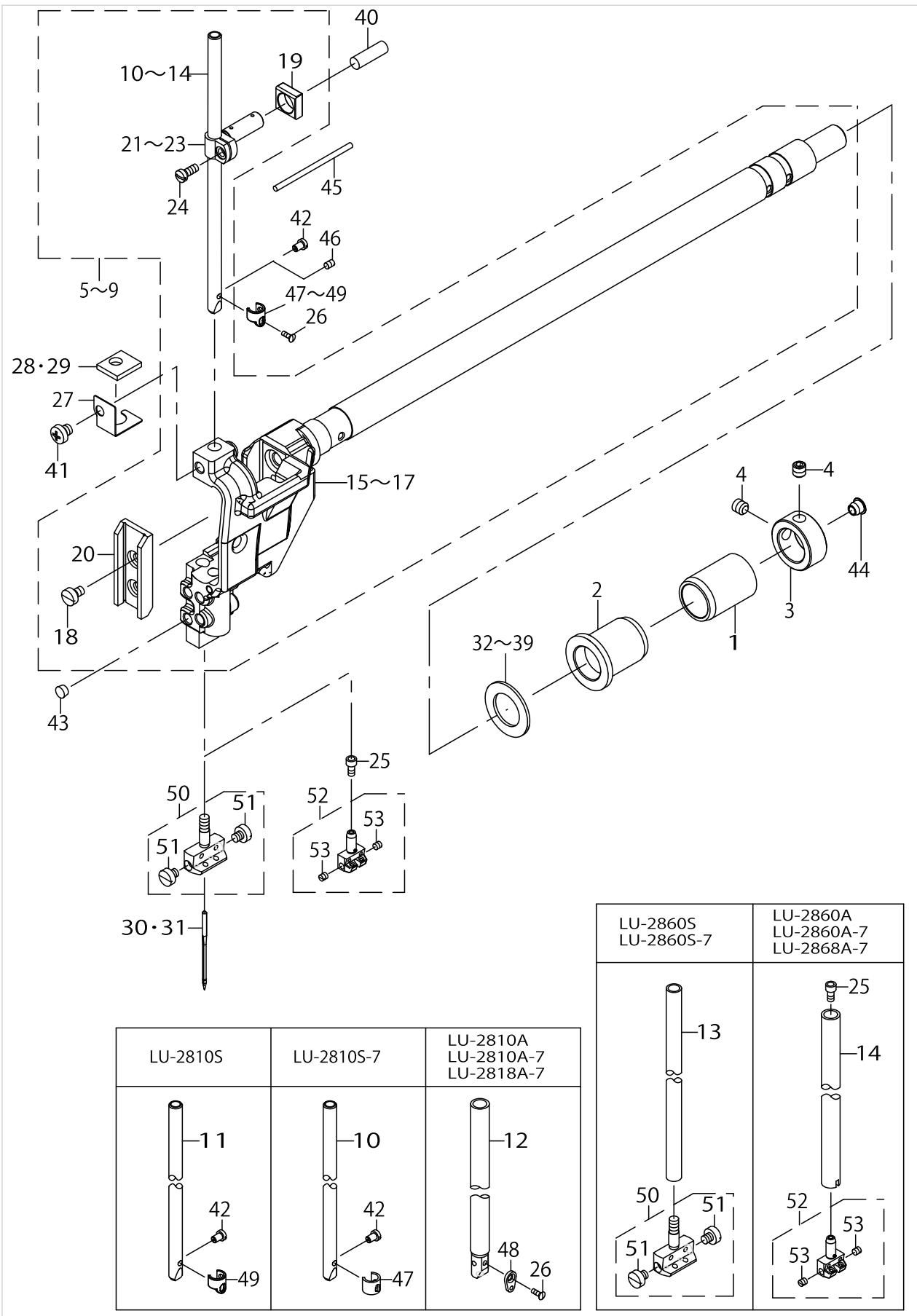
No.	Supply Code	Parts No.	Replacement	Parts name	Remarks	Choice	Step	Level	Cons	Qty	Rep. QTY
1		40010709		NF SHAFT BUSH R						1	
2		40152451		BUSHING						1	
3		CS1701181TP		THRUST COLLAR D=17 W=11						1	
4		SM8060612TP		SCREW M6 L=6						2	
5		40126403		N,B,ROCKING_BASE_ASM_2810S7	FOR LU-2810S-7					1	
6		40127042		N,B,ROCKING_BASE_ASM_2810SS	FOR LU-2810S					1	
7		40126402		N,B,ROCKING_BASE_ASM_2810E	FOR LU-2-810A,2810-A-7, 2818A-7,2810-7/X73178					1	
8		40127051		N,B,ROCKING_BASE_ASM_2860S	FOR LU-2-860S,2860S-7					1	
9		40127054		N,B,ROCKING_BASE_ASM_2860E	FOR LU-2-860A,2860-A-7,2868A-7					1	
10		21338405		NEEDLE BAR THREAD RACK	FOR LU-2810S-7			*		1	
11		B1401053000		NEEDLE BAR	FOR LU-2810S			*		1	
12		40143220		NEEDLE_BAR_2810A	FOR LU-2-810A,2810-A-7, 2818A-7,2810-7/X73178			*		1	
13	R	40127052	40127051	NEEDLE BAR	FOR LU-2-860S,2860S-7			*		1	1.00
14		21451406		NEEDLE BAR	FOR LU-2-860A,2860-A-7,2868A-7			*		1	
15	R	40154226	40126403	N,B,ROCKING_BASE_ASM_2810S	FOR LU-2-810S,2810S-7	A		*		1	1.00
15	R	40154226	40127042	N,B,ROCKING_BASE_ASM_2810S	FOR LU-2-810S,2810S-7	B		*		1	1.00
16	R	40136296	40126402	N,B,ROCKING_BASE_ASM_2810E	FOR LU-2-810A,2810-A-7,2860A,2860A-7,2-818A-7,28-68A-7, 281-0-7/X73178	A		*		1	1.00
16	R	40136296	40127054	N,B,ROCKING_BASE_ASM_2810E	FOR LU-2-810A,2810-A-7,2860A,2860A-7,2-818A-7,28-68A-7, 281-0-7/X73178	B		*		1	1.00
17		40154227		N,B,ROCKING_BASE_ASM_2860S	FOR LU-2-860S,2860S-7			*		1	
18		SM6040650TP		SCREW				*		2	
19		40112152		NEEDLE_ROD_SQUARE_BLOCK				*		1	
20		40127041		NEEDLE_BAR_GUIDE				*		1	
21	D	B1411053000		NEEDLE BAR CONNECTION	FOR LU-2-810S,2810S-7			*		1	
22		40112273		NEEDLE BAR CONNECTION	FOR LU-2-810A,2810-A-7,2860A,2860A-7,2-818A-7,28-68A-7, 281-0-7/X73178			*		1	
23		B1411521000		NEEDLE ROD HOLDER	FOR LU-2-860S,2860S-7			*		1	
24		SS7090910TP		SCREW 9/64-40 L=8.5				*		1	

系切り仕様-  
/Needle th-  
read trimming type  
系切り無仕-  
様/No Nee-  
dle thread  
trimming type

PLC-2810.-  
2710.2828  
LS-1342/X55316

PLC-2860.-  
2760L PLC-2760

# NEEDLE BAR COMPONENTS

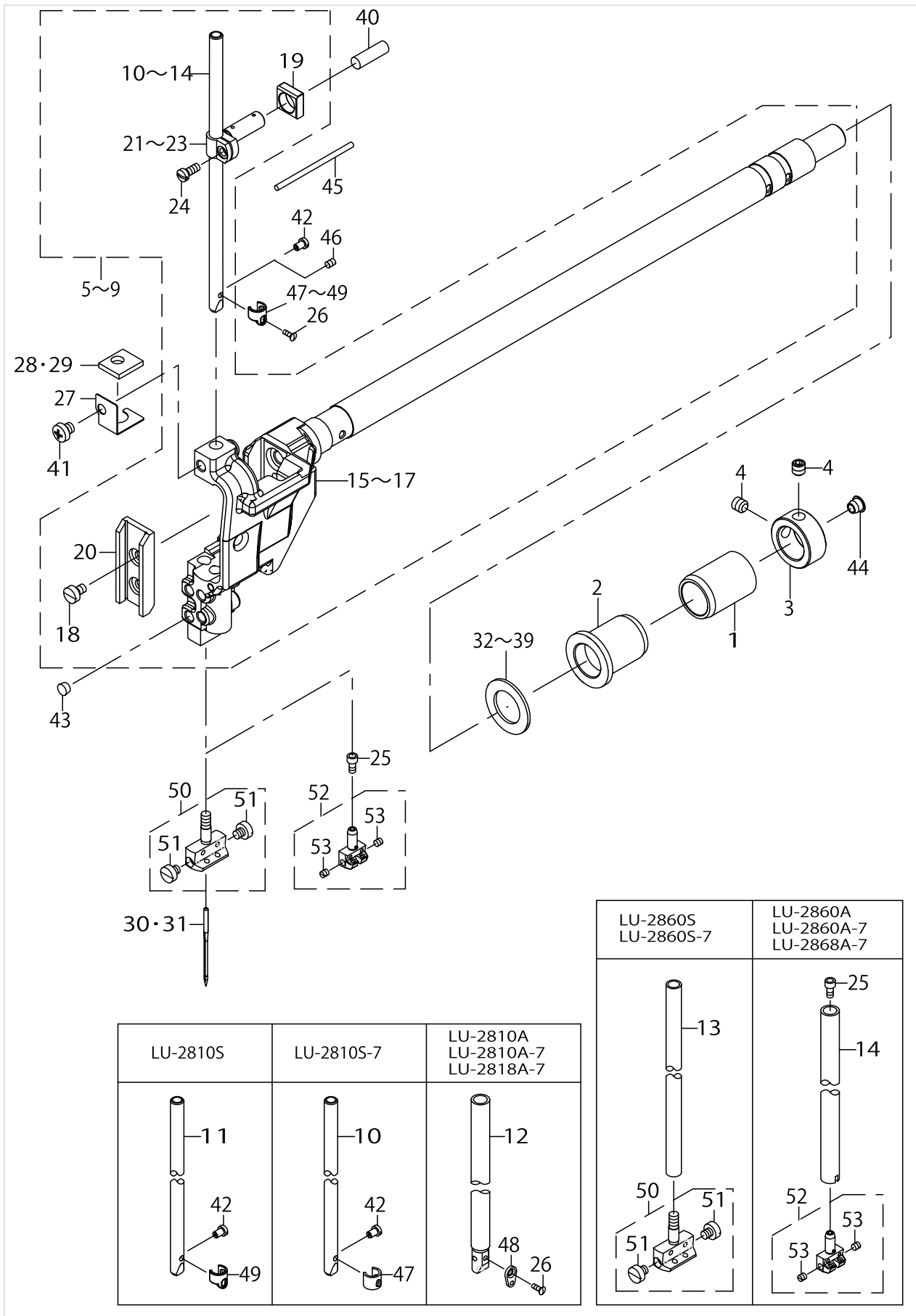


NEEDLE BAR COMPONENTS

No.	Supply Code	Parts No.	Replacement	Parts name	Remarks	Choice	Step	Level	Cons	Qty	Rep. QTY
25		SM6030602TP		SCREW M3X0.5 L=6	FOR LU-2-860A,2860-A-7,2868A-7					1	
26		SS2060310SP		SCREW 3/32-56 L=3	FOR LU-2-810A,2810-A-7, 2818A-7,2810-7/X73178					1	
27		40112270		FELT HOLDER						1	
28		40112271		NEEDLE_BAR_FELT_S	FOR LU-2-810S,2810-S-7,2860S, 2860S-7					1	
29		40112272		NEEDLE_BAR_FELT_E	FOR LU-2-810A,2810-A-7,2860A, 2860A-7,2-818A-7,28-68A-7, 281-0-7/X73178					1	
30		M13517B1600		NEEDLE 135X17 #160	FOR LU-2-810,2810-7,2818-7				☆	1	
31		M13517B1600		NEEDLE 135X17 #160	FOR LU-2-860,2860-7,2868-7				☆	2	
32		B1438512B00		WASHER 17.1X28X1.5	SELECTIVE PARTS					1	
33		22606206		SPACER Y	SELECTIVE PARTS					1	
34		22606305		SPACER Z	SELECTIVE PARTS					1	
35		22607600		SPACER A	SELECTIVE PARTS					1	
36		22607709		SPACER B	SELECTIVE PARTS					1	
37		22607808		SPACER D	SELECTIVE PARTS					1	
38		22607907		SPACER E	SELECTIVE PARTS					1	
39		22606404		SPACER F	SELECTIVE PARTS					1	
40		B1412051000		FELT	FOR LU-2-810S,2810-S-7,2860S, 2860S-7					1	
41		SM4050501SC		SCREW M5X0.8 L=5						1	
42		SS7080510TP		SCREW 1/8-44 L=4.5	FOR LU-2-810S,2810S-7					1	
43		TA0500301R0		PLUG 5X5.8 L=3						4	
44		TA0620504R0		CAP						1	
45		CQ252000000		OIL WICK	FOR LU-2-810A,2810-A-7,2860A, 2860A-7,2-818A-7,28-68A-7, 281-0-7/X73178					.05	
46		SS8080410TP		SCREW 1/8-44 L=3.5	FOR LU-2-810A,2810-A-7, 2818A-7,2810-7/X73178					1	
47		21338504		NEEDLE BAR THREAD RACK	FOR LU-2810S-7					1	
48		40143221		NEEDLE_BAR_THRE-AD_GUIDE_2810A	FOR LU-2-810A,2810-A-7, 2818A-7,2810-7/X73178					1	
49		10308609		THREAD GUARD	FOR LU-2810S					1	
50		21368154		NEEDLE CLAMP 3/16 ASM.	EXCHANGI-NG GAUGE PARTS (SEE.P.54)					1	
51		SS6090410TP		SCREW 9/64-40 L=3.5	EXCHANGI-NG GAUGE PARTS (SEE.P.54)			*	☆	2	
52		40038778		NEEDLE CLAMP(6MM)ASM.	EXCHANGI-NG GAUGE PARTS (SEE.P.54)					1	



# NEEDLE BAR COMPONENTS



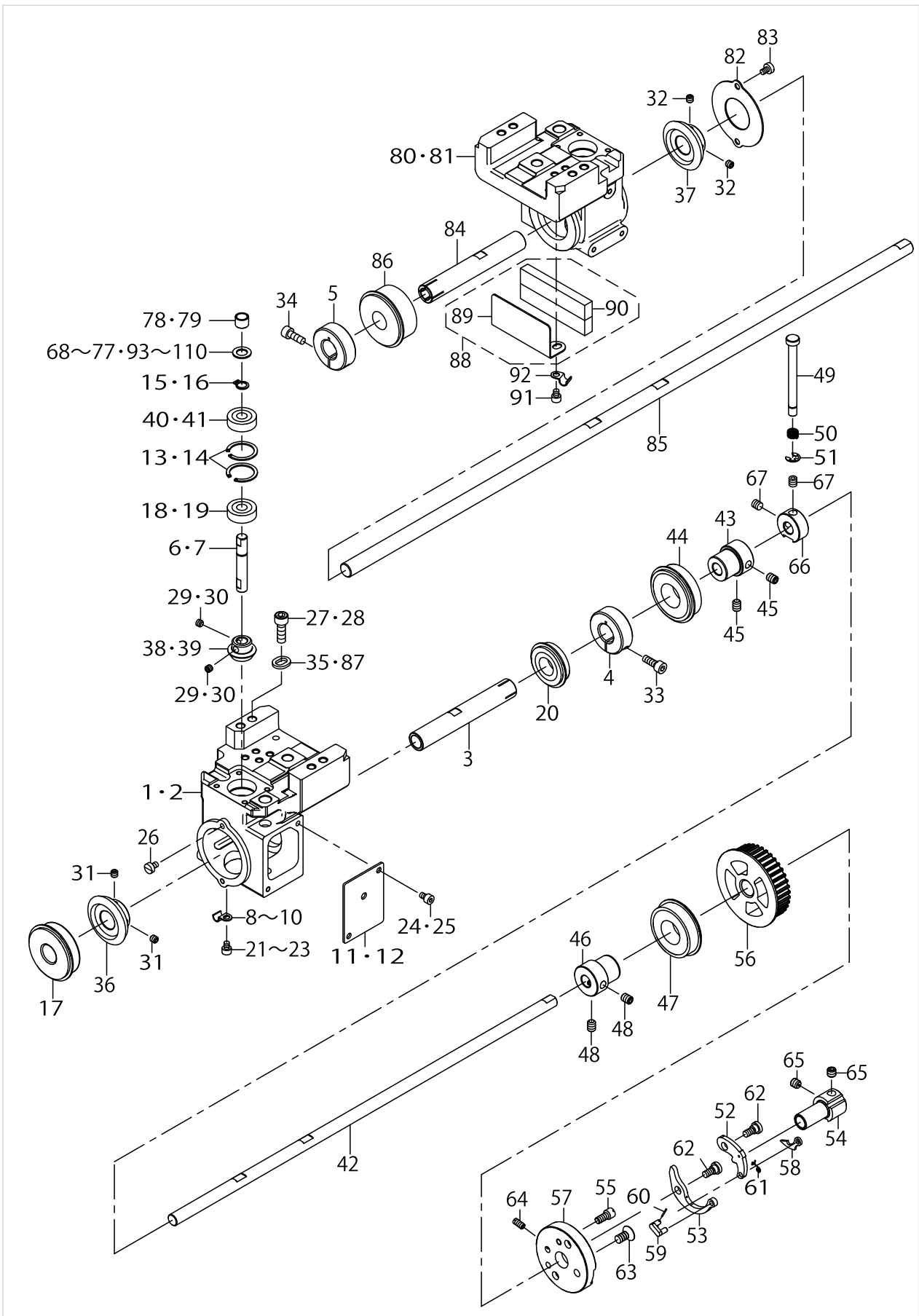
LU-2810S	LU-2810S-7	LU-2810A LU-2810A-7 LU-2818A-7

LU-2860S LU-2860S-7	LU-2860A LU-2860A-7 LU-2868A-7

NEEDLE BAR COMPONENTS

No.	Supply Code	Parts No.	Replacement	Parts name	Remarks	Choice	Step	Level	Cons	Qty	Rep. QTY
53		SS8080310TP		SCREW 1/8-44 L=2.8	EXCHANGI- NG GAUGE PARTS (SEE.P.54)			*	☆	2	

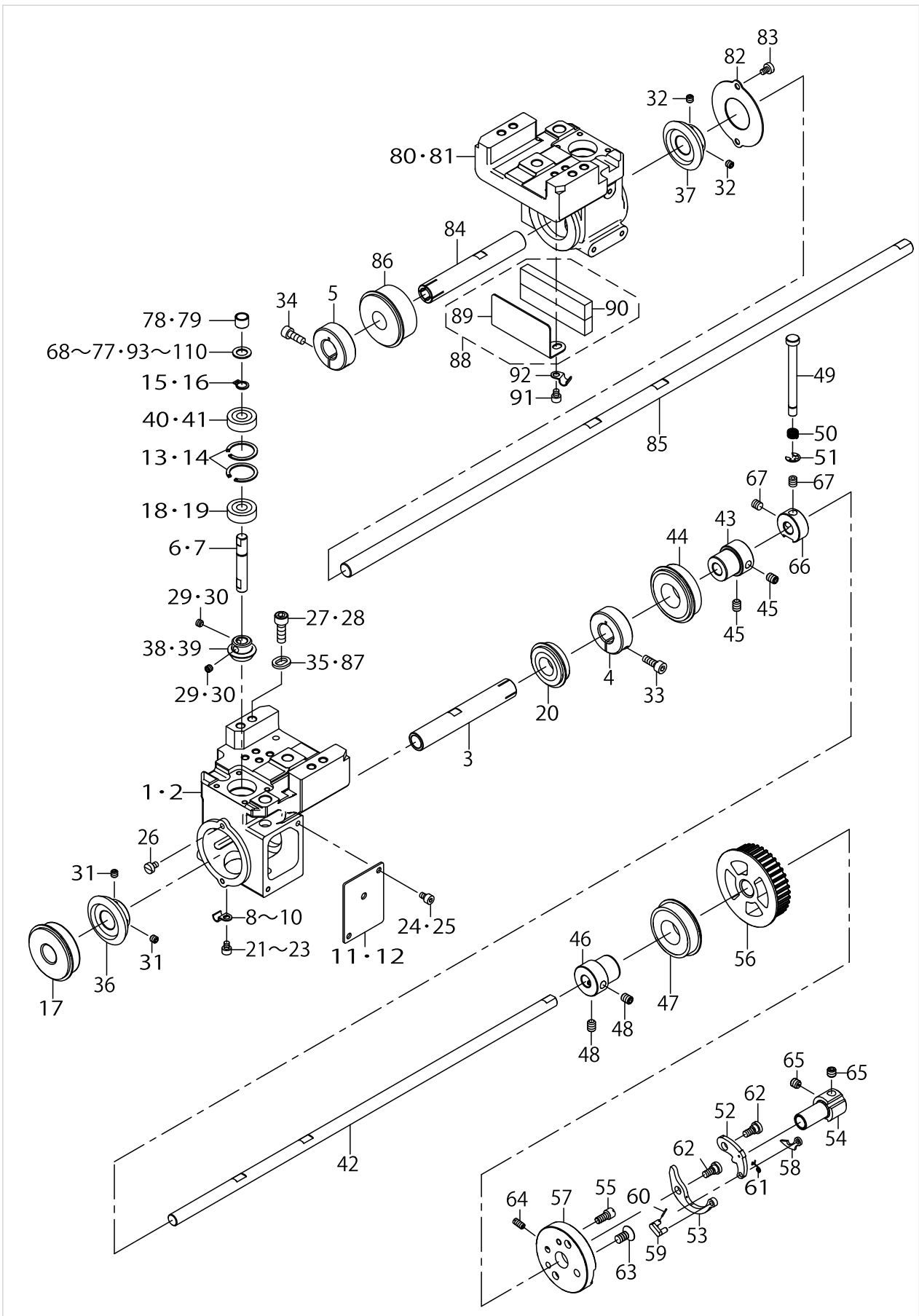
LOWER SHAFT COMPONENTS



LOWER SHAFT COMPONENTS

No.	Supply Code	Parts No.	Replacement	Parts name	Remarks	Choice	Step	Level	Cons	Qty	Rep. QTY
1		40125845		HOOK_SHAFT_BASE_RIGHT_TC	FOR LU-2-810-7,2860-7, 2818-7,-2868-7, 28-10-7/X73178					1	
2		40125846		HOOK_SHAFT_BASE_RIGHT_N	FOR LU-2810,2860					1	
3		40112253		LOWER_SHAFT_C						1	
4		40052253		SET COLLAR						1	
5		40052253		SET COLLAR	FOR LU-2-860,2860-7,2868-7					1	
6		40126381		HOOK_SHAFT	FOR LU-2-810,2810-7-,2818-7, 28-10-7/X73178					1	
7		40126381		HOOK_SHAFT	FOR LU-2-860,2860-7,2868-7					2	
8		B3538112000		OIL RETURN TUBE HOLDER	FOR LU-2810					2	
9		B3538112000		OIL RETURN TUBE HOLDER	FOR LU-2-810-7,2818-7, 2810-7/X73178					1	
10		B3538112000		OIL RETURN TUBE HOLDER	FOR LU-2-860-7,2868-7					2	
11		40123340		HOOK_SHAFT_BASE_SIDE_PLATE	FOR LU-2-810,2810-7-,2818-7, 28-10-7/X73178					1	
12		40135474		HOOK_SHAFT_BASE_SIDE_PLATE	FOR LU-2-860,2860-7,2868-7					2	
13		RC2351018KP		RETAINIG PIN 23.5	FOR LU-2-810,2810-7-,2818-7, 28-10-7/X73178					2	
14		RC2351018KP		RETAINIG PIN 23.5	FOR LU-2-860,2860-7,2868-7					4	
15		RC0740816K0		RETAINING RING	FOR LU-2-810,2810-7-,2818-7, 28-10-7/X73178					1	
16		RC0740816K0		RETAINING RING	FOR LU-2-860,2860-7,2868-7					2	
17		40143084		BUSHING						1	
18		40143086		BUSHING	FOR LU-2-810,2810-7-,2818-7, 28-10-7/X73178					1	
19		40143086		BUSHING	FOR LU-2-860,2860-7,2868-7					2	
20		40143082		BUSHING						1	
21		SM6040502TP		SCREW M4X0.7 L=5	FOR LU-2810					1	
22		SM6040502TP		SCREW M4X0.7 L=5	FOR LU-2-810,2810-7-,2818-7, 28-10-7/X73178					1	
23		SM6040502TP		SCREW M4X0.7 L=5	FOR LU-2-860-7,2868-7					2	
24		SM6040602TP		SCREW M4 L=6	FOR LU-2-810,2810-7-,2818-7, 28-10-7/X73178					2	
25		SM6040602TP		SCREW M4 L=6	FOR LU-2-860,2860-7,2868-7					4	
26		SM6040650TP		SCREW						2	
27		SM6061802TP		SCREW M6 L=18	FOR LU-2-810,2810-7-,2818-7, 28-10-7/X73178					2	

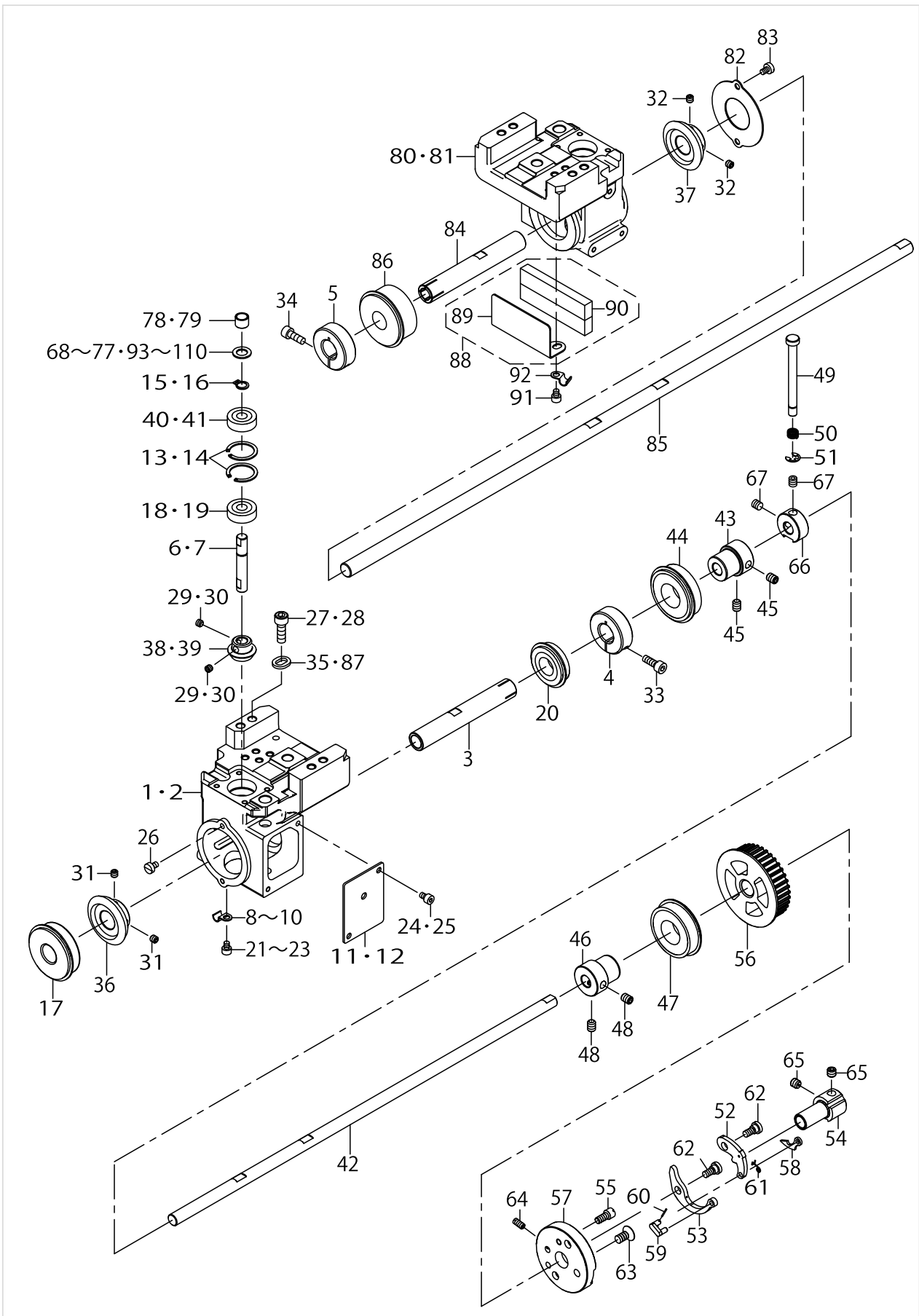
LOWER SHAFT COMPONENTS



LOWER SHAFT COMPONENTS

No.	Supply Code	Parts No.	Replacement	Parts name	Remarks	Choice	Step	Level	Cons	Qty	Rep. QTY
28		SM6061802TP		SCREW M6 L=18	FOR LU-2-860,2860-7,2868-7					4	
29		SM8050412TP		SCREW M5 L=4	FOR LU-2-810,2810-7-2818-7, 2810-7/X73178					2	
30		SM8050412TP		SCREW M5 L=4	FOR LU-2-860,2860-7,2868-7					4	
31		SM80506A2TP		SCREW M5 L=6						2	
32		SM80506A2TP		SCREW M5 L=6	FOR LU-2-860,2860-7,2868-7					2	
33		SM6051402TP		SCREW M5X0.8 L=14						1	
34		SM6051402TP		SCREW M5X0.8 L=14	FOR LU-2-860,2860-7,2868-7					1	
35		40139043		WASHER	FOR LU-2-810,2810-7-2818-7, 2810-7/X73178					2	
36		40126372		LOWER_SHAFT_GEAR						1	
37		40126372		LOWER_SHAFT_GEAR	FOR LU-2-860,2860-7,2868-7					1	
38		40112242		HOOK_SHAFT_GEAR	FOR LU-2-810,2810-7-2818-7, 2810-7/X73178					1	
39		40112242		HOOK_SHAFT_GEAR	FOR LU-2-860,2860-7,2868-7					2	
40		40143086		BUSHING	FOR LU-2-810,2810-7-2818-7, 2810-7/X73178					1	
41		40143086		BUSHING	FOR LU-2-860,2860-7,2868-7					2	
42		40126365		LOWER_SHAFT_1N	FOR LU-2-810,2810-7-2818-7, 2810-7/X73178					1	
43		40123247		BEARING_COLLAR						1	
44		SB120001800		BEARING						1	
45		SM8060812TP		SCREW M6 L=8						2	
46		40123247		BEARING_COLLAR						1	
47		SB120001800		BEARING						1	
48		SM8060812TP		SCREW M6 L=8						2	
49		40112240		SAFETY_REVERSE_BUTTON						1	
50		B1639051000		SPRING						1	
51		RE0500000K0		E-RING						1	
52		21387600		SAFETY CLUTCH HOOK						1	
53		21387709		SAFETY CLUTCH SPRING						1	
54		21387808		SAFETY BASE						1	
55		21387907		ADJUSTING PIN (1.2)						1	
56		40125862		LOWER_SHAFT_SPROCKET						1	
57		40126366		CLUTCH_BASE						1	
58		B1308055000		SAFETY CLUTCH COUNTER-HOOK						1	
59		B1310055000		SAFETY CLUTCH SMALL LINK						1	
60		B1314055000		SAFETY CLUTCH SMALL LINK PIN						1	
61		40113224		COUNTER HOOK SPRING						1	
62		SD0640322TP		HINGE SCREW D=6.35 H=3.2						2	
63		SM1061201SN		SCREW M6 L=12						2	

LOWER SHAFT COMPONENTS

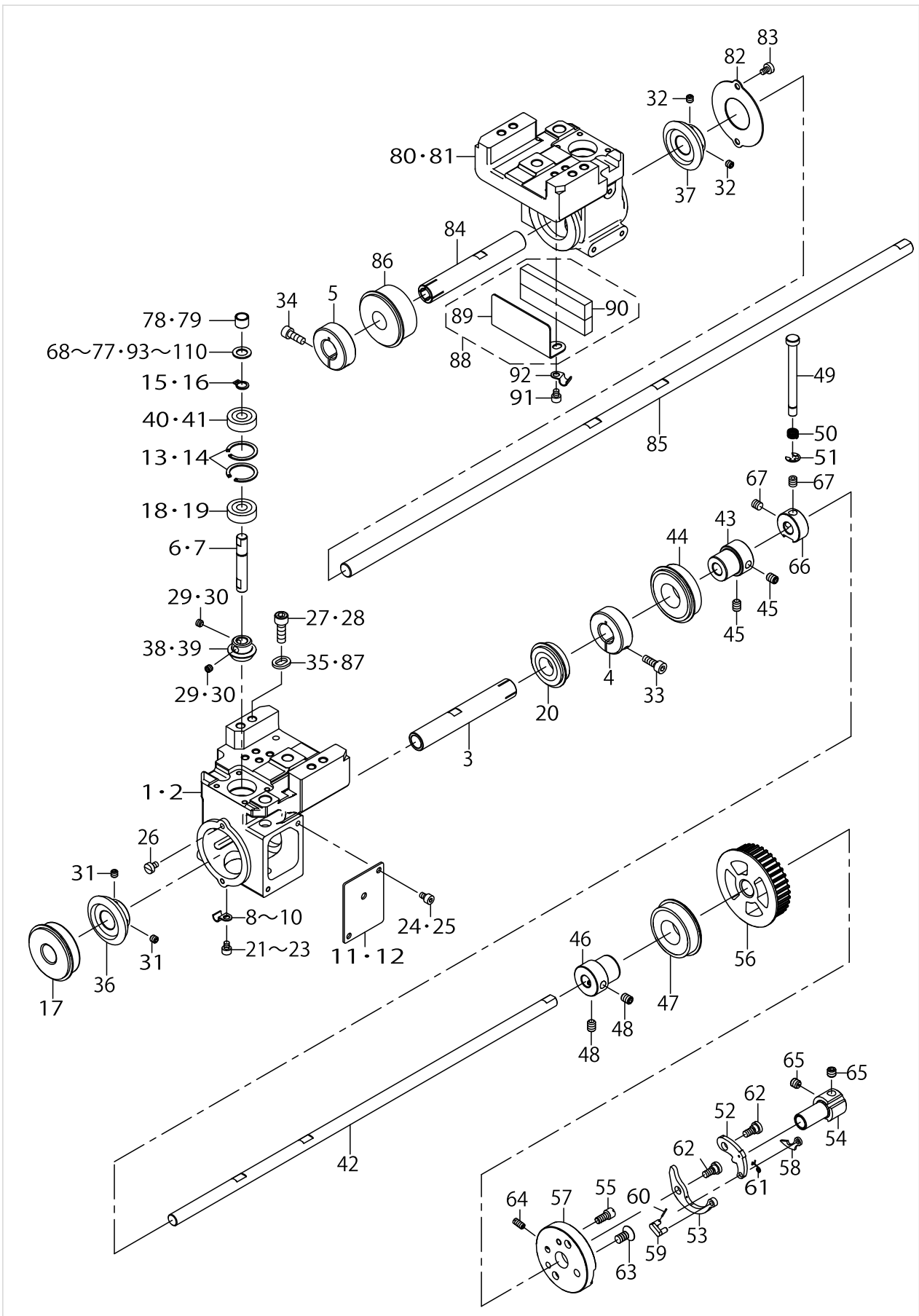


LOWER SHAFT COMPONENTS

No.	Supply Code	Parts No.	Replacement	Parts name	Remarks	Choice	Step	Level	Cons	Qty	Rep. QTY
64		SS8111010TP		SCREW 11/64-40 L=9.5						1	
65		SS8660612TP		SCREW 1/4-40 L=6						2	
66		21333901		SAFETY CLUTCH DISC						1	
67		SS8660612TP		SCREW 1/4-40 L=6						2	
68		B255728000A		WASHER FOR DRIVING ARM	SELECTIVE PARTS FOR LU-2810,2-810-7,2818-7, 2810-7/X73178					1	
69		B255728000B		WASHER	SELECTIVE PARTS FOR LU-2810,2-810-7,2818-7, 2810-7/X73178					1	
70		B255728000C		WASHER	SELECTIVE PARTS FOR LU-2810,2-810-7,2818-7, 2810-7/X73178					1	
71		B255728000D		WASHER D	SELECTIVE PARTS FOR LU-2810,2-810-7,2818-7, 2810-7/X73178					1	
72		B255728000E		WASHER	SELECTIVE PARTS FOR LU-2810,2-810-7,2818-7, 2810-7/X73178					1	
73		B255728000A		WASHER FOR DRIVING ARM	SELECTIVE PARTS FOR LU-2860,2-860-7,2868-7					2	
74		B255728000B		WASHER	SELECTIVE PARTS FOR LU-2860,2-860-7,2868-7					2	
75		B255728000C		WASHER	SELECTIVE PARTS FOR LU-2860,2-860-7,2868-7					2	
76		B255728000D		WASHER D	SELECTIVE PARTS FOR LU-2860,2-860-7,2868-7					2	
77		B255728000E		WASHER	SELECTIVE PARTS FOR LU-2860,2-860-7,2868-7					2	
78		40126382		HOOK_SHAFT_COLLAR	FOR LU-2-810,2810-7-2818-7, 2810-7/X73178					1	
79		40126382		HOOK_SHAFT_COLLAR	FOR LU-2-860,2860-7,2868-7					2	
80		40125847		HOOK_SHAFT_BASE_LEFT_TC	FOR LU-2-860-7,2868-7					1	
81		40125848		HOOK_SHAFT_BASE_LEFT_N	FOR LU-2860					1	
82		40126455		HOOK_SHAFT_BASE_COVER	FOR LU-2-860,2860-7,2868-7					1	
83		SM6040650TP		SCREW	FOR LU-2-860,2860-7,2868-7					2	
84		40126454		LOWER_SHAFT_D	FOR LU-2-860,2860-7,2868-7					1	
85		40123428		LOWER_SHAFT_2N	FOR LU-2-860,2860-7,2868-7					1	
86		SB115002200		BEARING	FOR LU-2-860,2860-7,2868-7					1	



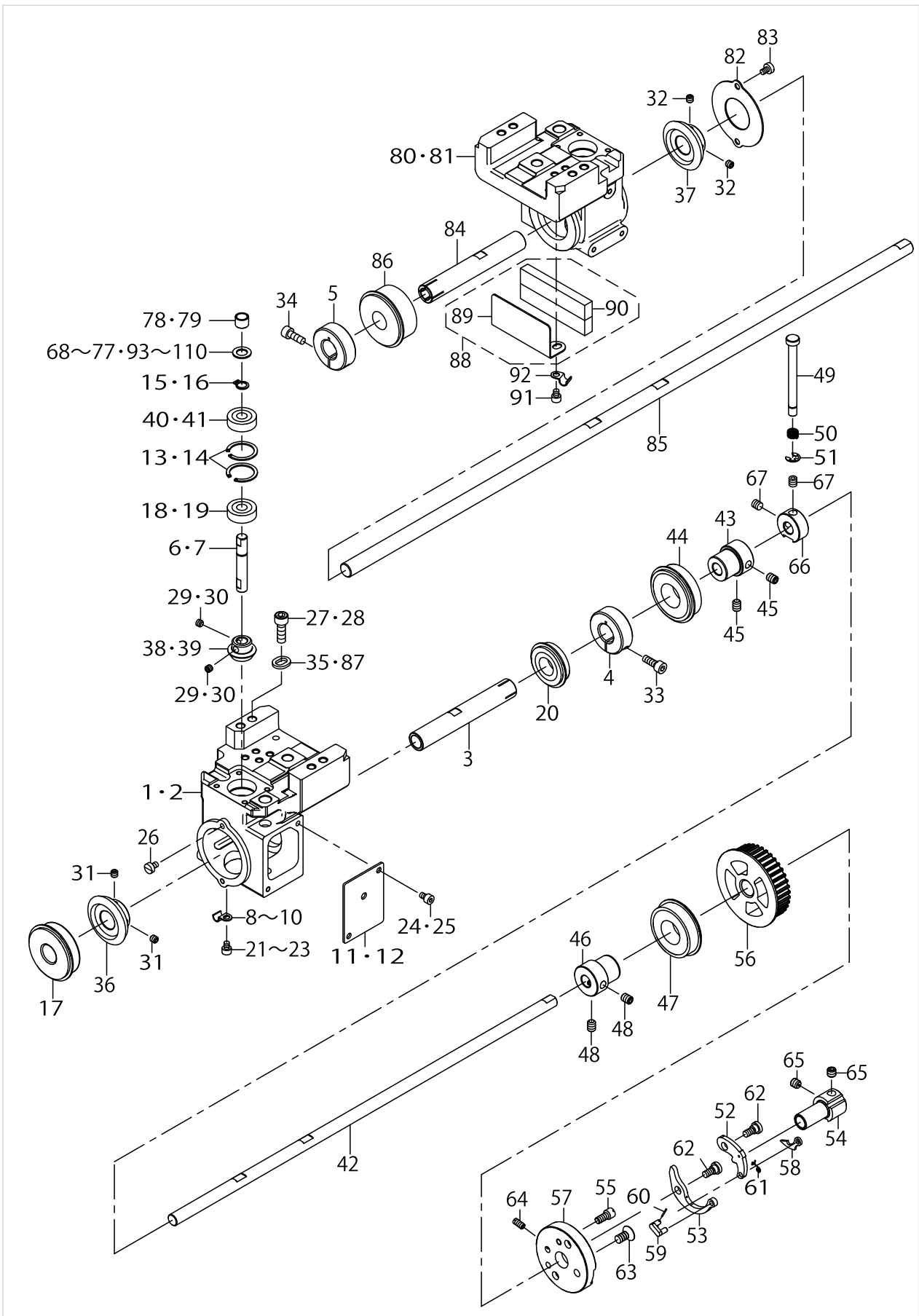
LOWER SHAFT COMPONENTS



LOWER SHAFT COMPONENTS

No.	Supply Code	Parts No.	Replacement	Parts name	Remarks	Choice	Step	Level	Cons	Qty	Rep. QTY
87		40139042		WASHER	FOR LU-2-860,2860-7,2868-7					4	
88		40135505		OIL_SHIELD_PLATE_ASM.	FOR LU-2-860,2860-7,2868-7					1	
89		40127345		OIL_SHIELD_PLATE	FOR LU-2-860,2860-7,2868-7			*		1	
90	R	40135504	40135505	GASKET	FOR LU-2-860,2860-7,2868-7			*		2	1.00
91		SM6040502TP		SCREW M4X0.7 L=5	FOR LU-2860					3	
92		B3538112000		OIL RETURN TUBE HOLDER	FOR LU-2860					5	
93		40138418		WASHER_T=1.3	SELECTIVE PARTS FOR LU-2810,2-810-7,2818-7, 2810-7/X73178					1	
94		40138419		WASHER_T=1.4	SELECTIVE PARTS FOR LU-2810,2-810-7,2818-7, 2810-7/X73178					1	
95		40138420		WASHER_T=1.5	SELECTIVE PARTS FOR LU-2810,2-810-7,2818-7, 2810-7/X73178					1	
96		40138421		WASHER_T=1.6	SELECTIVE PARTS FOR LU-2810,2-810-7,2818-7, 2810-7/X73178					1	
97		40138422		WASHER_T=1.7	SELECTIVE PARTS FOR LU-2810,2-810-7,2818-7, 2810-7/X73178					1	
98		40138423		WASHER_T=1.8	SELECTIVE PARTS FOR LU-2810,2-810-7,2818-7, 2810-7/X73178					1	
99		40143185		WASHER	SELECTIVE PARTS FOR LU-2810,2-810-7,2818-7, 2810-7/X73178					1	
100		40143188		WASHER	SELECTIVE PARTS FOR LU-2810,2-810-7,2818-7, 2810-7/X73178					1	
101		40143581		WASHER	SELECTIVE PARTS FOR LU-2810,2-810-7,2818-7, 2810-7/X73178					1	
102		40138418		WASHER_T=1.3	SELECTIVE PARTS FOR LU-2860,2-860-7,2868-7					2	
103		40138419		WASHER_T=1.4	SELECTIVE PARTS FOR LU-2860,2-860-7,2868-7					2	
104		40138420		WASHER_T=1.5	SELECTIVE PARTS FOR LU-2860,2-860-7,2868-7					2	
105		40138421		WASHER_T=1.6	SELECTIVE PARTS FOR LU-2860,2-860-7,2868-7					2	

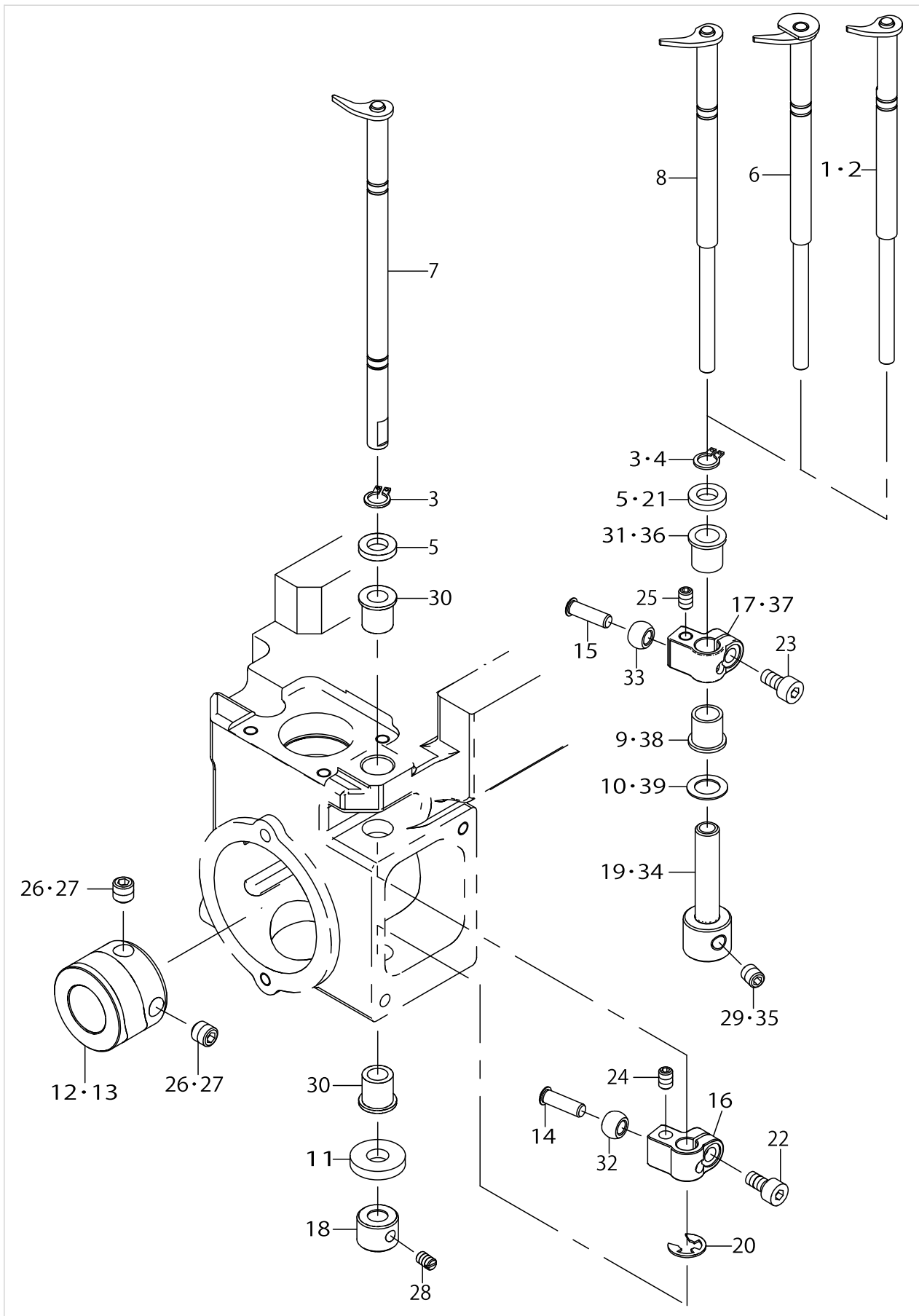
LOWER SHAFT COMPONENTS



LOWER SHAFT COMPONENTS

No.	Supply Code	Parts No.	Replacement	Parts name	Remarks	Choice	Step	Level	Cons	Qty	Rep. QTY
106		40138422		WASHER_T=1.7	SELECTIVE PARTS FOR LU-2860,2-860-7,2868-7					2	
107		40138423		WASHER_T=1.8	SELECTIVE PARTS FOR LU-2860,2-860-7,2868-7					2	
108		40143185		WASHER	SELECTIVE PARTS FOR LU-2860,2-860-7,2868-7					2	
109		40143188		WASHER	SELECTIVE PARTS FOR LU-2860,2-860-7,2868-7					2	
110		40143581		WASHER	SELECTIVE PARTS FOR LU-2860,2-860-7,2868-7					2	

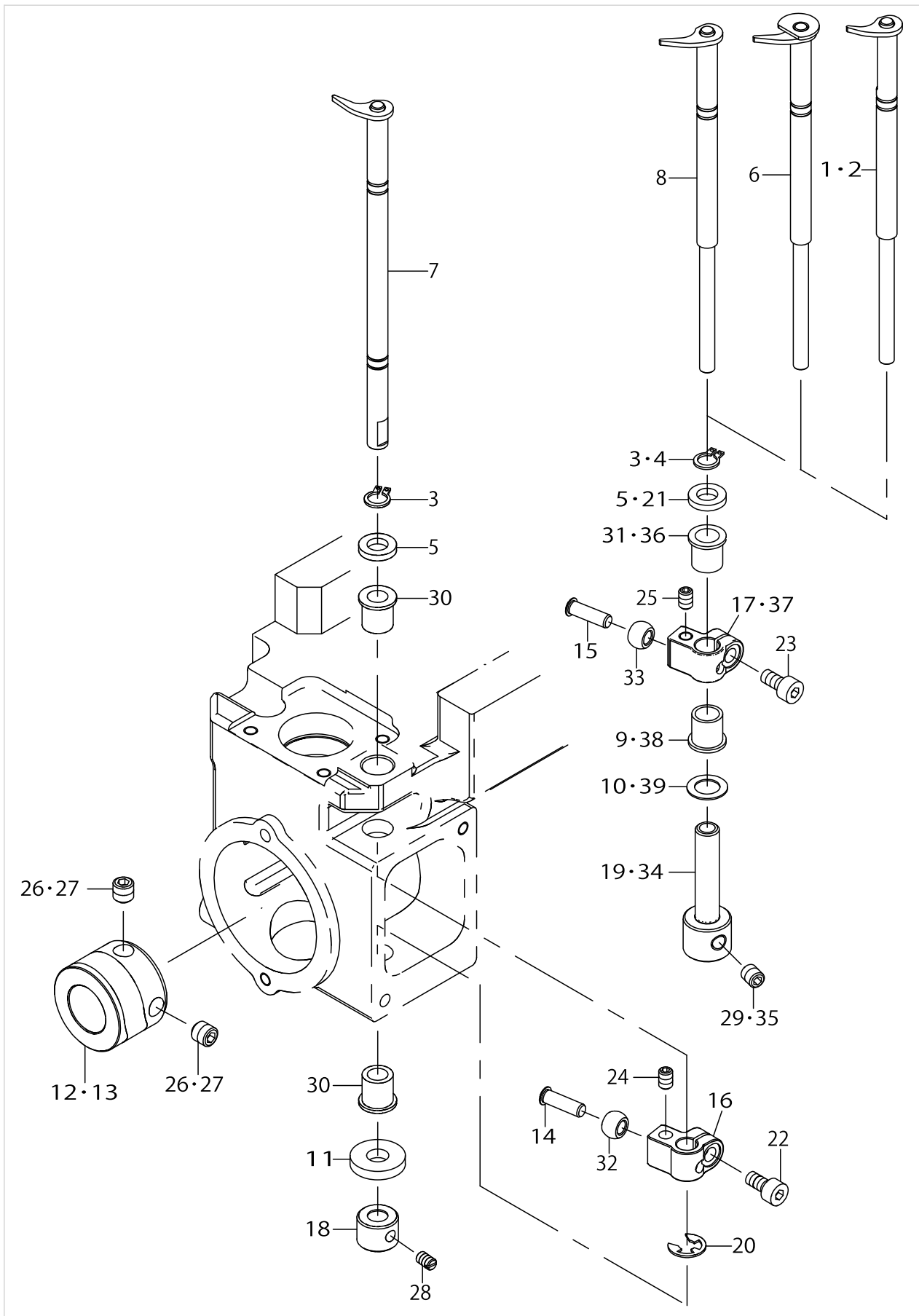
OPENNER COMPONENTS



OPENNER COMPONENTS

No.	Supply Code	Parts No.	Replacement	Parts name	Remarks	Choice	Step	Level	Cons	Qty	Rep. QTY
1		40147915		OPENER_ASM_XXL	FOR LU-2-818-7,2810-7/X73178				☆	1	
2		40147915		OPENER_ASM_XXL	FOR LU-2868-7				☆	2	
3		RC0560711KP		RETAINING RING	FOR LU-2-810,2810-7,2818-7,2810-7/X73178					1	
4		RC0560711KP		RETAINING RING	FOR LU-2-860,2860-7,2868-7					2	
5		WP0612066SP		WASHER 6.1X11X2	FOR LU-2-810,2810-7,2818-7,2810-7/X73178					1	
6		40137431		OPENER_ASM_L	FOR LU-2860-7				☆	2	
7		40126361		OPENER_ASM.	FOR LU-2-810,2810-7				☆	1	
8		40135500		OPENER_ASM. L	FOR LU-2860				☆	2	
9		40135473		METAL	FOR LU-2-860,2860-7,2868-7					2	
10		WP0740516SP		WASHER 7.4X11.8X0.5	FOR LU-2-860,2860-7,2868-7					2	
11		B3010141H00		WASHER	FOR LU-2810-7					1	
12		40126547		OPENER_CAM_L	FOR LU-2-860,2860-7,2868-7					1	
13		40126391		OPENER_CAM_R						1	
14		40126360		OPENER_CAM_ROLLAR_SHAFT	FOR LU-2-810,2810-7,2818-7,2810-7/X73178					1	
15		40126360		OPENER_CAM_ROLLAR_SHAFT	FOR LU-2-860,2860-7,2868-7					2	
16		40125859		OPENER_DRIVING_ARM	FOR LU-2-810,2810-7					1	
17		40135475		OPENER_DRIVING_ARM	FOR LU-2-860,2860-7,2868-7					2	
18		40010298		JUNCTION SHAFT COLLAR	FOR LU-2-810,2810-7					1	
19		40135472		JUNCTION SHAFT COLLAR	FOR LU-2-860,2860-7,2868-7					2	
20		RE0500000K0		E-RING	FOR LU-2-810,2810-7					1	
21		WP0612066SP		WASHER 6.1X11X2	FOR LU-2-860,2860-7,2868-7					2	
22		SM6040802TP		SCREW M4X0.7 L=8	FOR LU-2-810,2810-7,2818-7,2810-7/X73178					1	
23		SM6040802TP		SCREW M4X0.7 L=8	FOR LU-2-860,2860-7,2868-7					2	
24		SM8040612TP		SCREW M4 L=6	FOR LU-2-810,2810-7,2818-7,2810-7/X73178					1	
25		SM8040612TP		SCREW M4 L=6	FOR LU-2-860,2860-7,2868-7					2	
26		SM8060612TP		SCREW M6 L=6	FOR LU-2-810,2810-7,2818-7,2810-7/X73178					2	
27		SM8060612TP		SCREW M6 L=6	FOR LU-2-860,2860-7,2868-7					4	
28		SS8090670SP		SCREW 9/64-40 L=5.5	FOR LU-2-810,2810-7					1	
29		SM8050612TP		SCREW M5X6	FOR LU-2-860,2860-7,2868-7					4	

OPENNER COMPONENTS

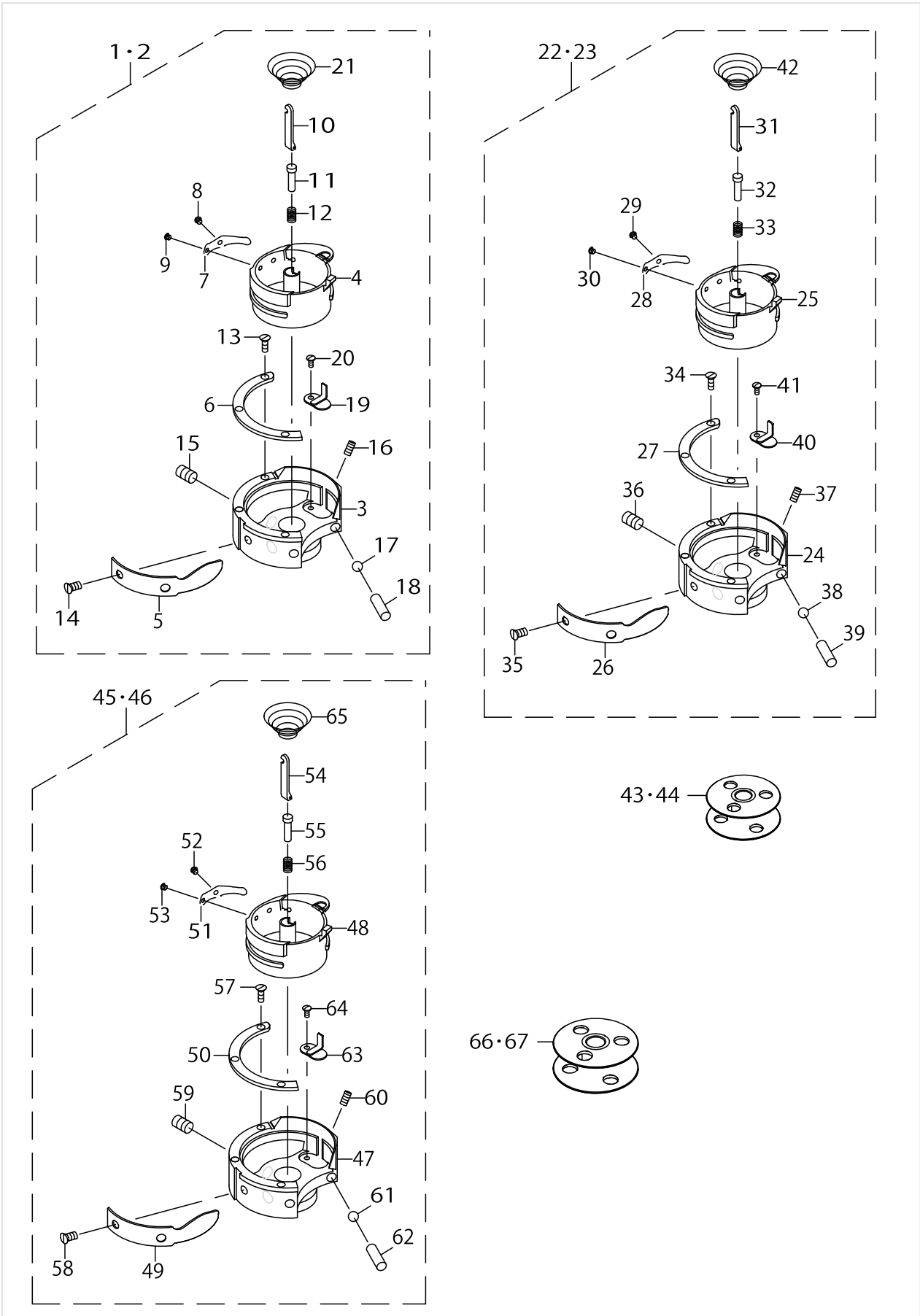


OPENNER COMPONENTS

No.	Supply Code	Parts No.	Replacement	Parts name	Remarks	Choice	Step	Level	Cons	Qty	Rep. QTY
30		40112252		OPENER_METAL	FOR LU-2-810,2810-7					2	
31		40112252		OPENER_METAL	FOR LU-2-860,2860-7, 2868-7					2	
32		40126351		OPENER_CAM_ROLLER	FOR LU-2-810,2810-7, 2818-7,2810-7/X73178					1	
33		40126351		OPENER_CAM_ROLLER	FOR LU-2-860,2860-7, 2868-7					2	
34		40135472		OPENNER_SLEEVE	FOR LU-2-818-7,2810-7/X73178					1	
35		SM8050612TP		SCREW M5X6	FOR LU-2-818-7,2810-7/X73178					2	
36		40112252		OPENER_METAL	FOR LU-2-818-7,2810-7/X73178					1	
37		40135475		OPENER_DRIVING_ARM	FOR LU-2-818-7,2810-7/X73178					1	
38		40135473		OPENER_METAL	FOR LU-2-818-7,2810-7/X73178					1	
39		WP0740516SP		WASHER 7.4X11.8X0.5	FOR LU-2-818-7,2810-7/X73178					1	



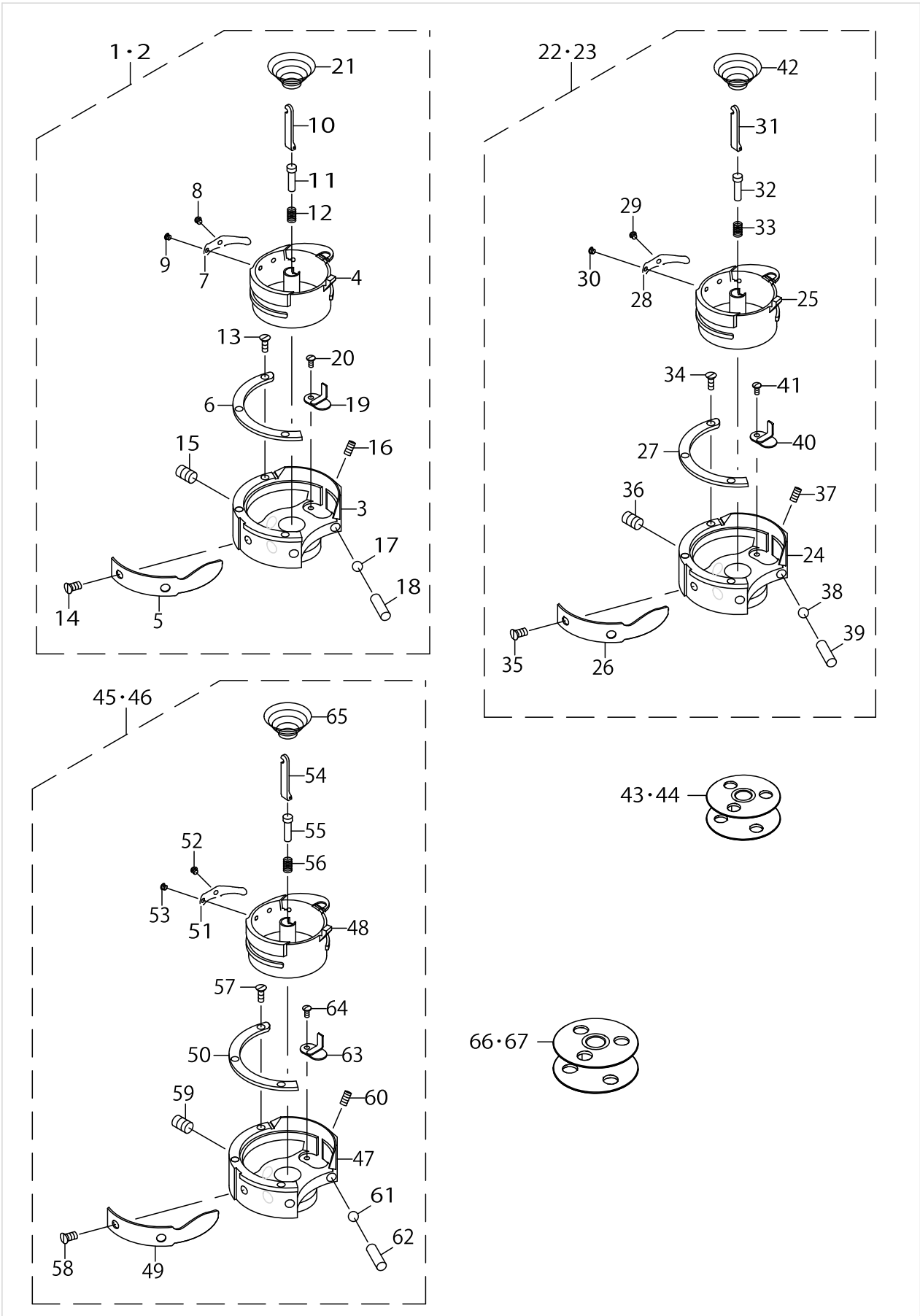
HOOK COMPONENTS



## HOOK COMPONENTS

No.	Supply Code	Parts No.	Replacement	Parts name	Remarks	Choice	Step	Level	Cons	Qty	Rep. QTY
1		40131956		HOOK_ASM_T	FOR LU-2810-7				☆	1	
2		40131956		HOOK_ASM_T	FOR LU-2860-7				☆	2	
3		40148039		OUTER_HOOK				*	☆	1	
4		40148040		INNER_HOOK				*	☆	1	
5		40079896		NEEDLE HOLDER				*	☆	1	
6		40148033		INNER_HOOK_HOLDER				*	☆	1	
7		40079898		TENTION_SPRING				*	☆	1	
8		40079899		ADJUSTING_SCREW				*	☆	1	
9		40079900		TENTION_SPRING_SETSCREW				*	☆	1	
10		40079901		BOBBIN_PRESSER				*	☆	1	
11		40079902		PRESSER LIFTER				*	☆	1	
12		40079903		PRESSER LIFTER SPRING				*	☆	1	
13		40079904		INNER HOOK HOLDER SETSCREW				*	☆	3	
14		40079905		NEEDLE HOLDER SETSCREW				*	☆	2	
15		40075542		OUTER_HOOK_SETSCREW				*	☆	2	
16		40079909		NEEDLE HOLDER A-DJUSTING SCREW				*	☆	1	
17		40148037		BALL				*	☆	1	
18		40148038		SLIDE_PIN				*	☆	1	
19		40075548		OIL_COVER				*	☆	1	
20		40075547		OIL_COVER_SETSCREW				*	☆	1	
21		40079912		IDLING PRIVENTION SPRING				*	☆	1	
22		40126399		HOOK_ASM.	FOR LU-2810				☆	1	
23		40126399		HOOK_ASM.	FOR LU-2860				☆	2	
24		40148031		OUTER_HOOK				*	☆	1	
25		40148032		INNER_HOOK				*	☆	1	
26		40079896		NEEDLE HOLDER				*	☆	1	
27		40148033		INNER_HOOK_HOLDER				*	☆	1	
28		40148034		TENTION_SPRING				*	☆	1	
29		40148035		ADJUSTING_SCREW				*	☆	1	
30		40148036		TENTION_SPRING_SETSCREW				*	☆	1	
31		40079901		BOBBIN PRESSER				*	☆	1	
32		40079902		PRESSER LIFTER				*	☆	1	
33		40079903		PRESSER LIFTER SPRING				*	☆	1	
34		40079904		INNER HOOK HOLDER SETSCREW				*	☆	3	
35		40079905		NEEDLE HOLDER SETSCREW				*	☆	2	
36		40075542		OUTER_HOOK_SETSCREW				*	☆	2	
37		40079909		NEEDLE HOLDER A-DJUSTING SCREW				*	☆	1	
38		40148037		BALL				*	☆	1	
39		40148038		SLIDE_PIN				*	☆	1	
40		40075548		OIL_COVER				*	☆	1	
41		40075547		OIL_COVER_SETSCREW				*	☆	1	
42		40079912		IDLING PRIVENTION SPRING				*	☆	1	
43		21334800		ALUMINUM BOBBIN WITH KNURL	FOR LU-2-810,2810-7				☆	1	
44		21334800		ALUMINUM BOBBIN WITH KNURL	FOR LU-2-860,2860-7				☆	2	

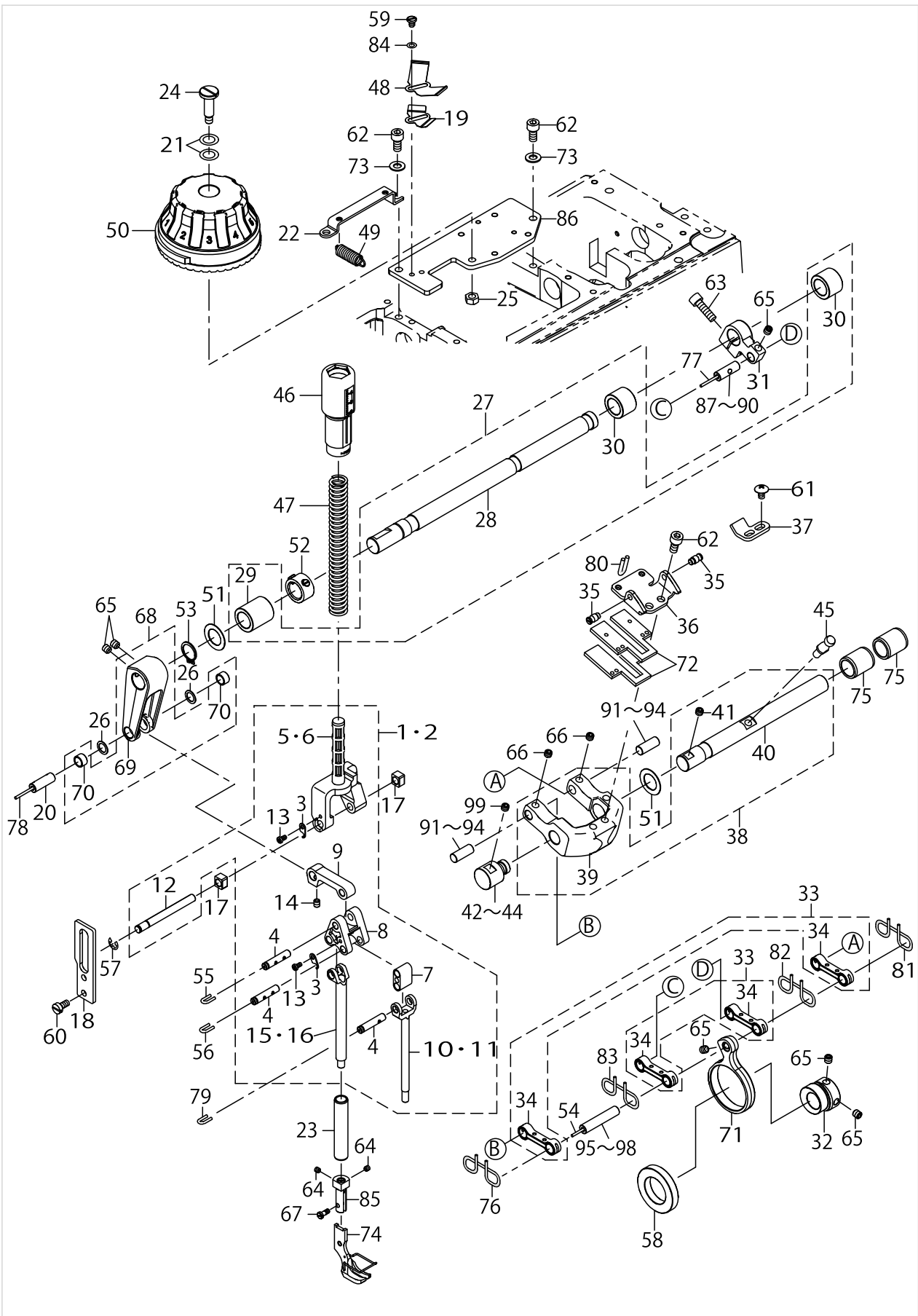
HOOK COMPONENTS



HOOK COMPONENTS

No.	Supply Code	Parts No.	Replacement	Parts name	Remarks	Choice	Step	Level	Cons	Qty	Rep. QTY
45		40147985		TRIM HOOK ASM. XXL LP	FOR LU-2-818-7,2810-7/X73178				☆	1	
46		40147985		TRIM HOOK ASM. XXL LP	FOR LU-2868-7				☆	2	
47		40149030		OUTER_HOOK				*	☆	1	
48		40149038		INNER_HOOK				*	☆	1	
49		40149032		NEEDLE HOLDER				*	☆	1	
50		40149033		INNER_HOOK HOLDER				*	☆	1	
51		40079898		TENTION SPRING				*	☆	1	
52		40079899		ADJUSTING SCREW				*	☆	1	
53		40079900		TENTION SPRING SETSCREW				*	☆	1	
54		40149034		BOBBIN_PRESSER				*	☆	1	
55		40079902		PRESSER LIFTER				*	☆	1	
56		40079903		PRESSER LIFTER SPRING				*	☆	1	
57		40149035		INNER_HOOK HOLDER SETSCREW				*	☆	3	
58		40149036		NEEDLE HOLDER SETSCREW				*	☆	2	
59		40075542		OUTER_HOOK SETSCREW				*	☆	2	
60		40079909		NEEDLE HOLDER ADJUSTING SCREW				*	☆	1	
61		40148037		BALL				*	☆	1	
62		40149037		SLIDE_PIN				*	☆	1	
63		40075547		OIL_COVER SETSCREW				*	☆	1	
64		40075548		OIL_COVER				*	☆	1	
65		40079912		IDLING PRIVENTION SPRING				*	☆	1	
66		40147913		BOBBIN	FOR LU-2-818-7,2810-7/X73178				☆	1	
67		40147913		BOBBIN	FOR LU-2868-7				☆	2	

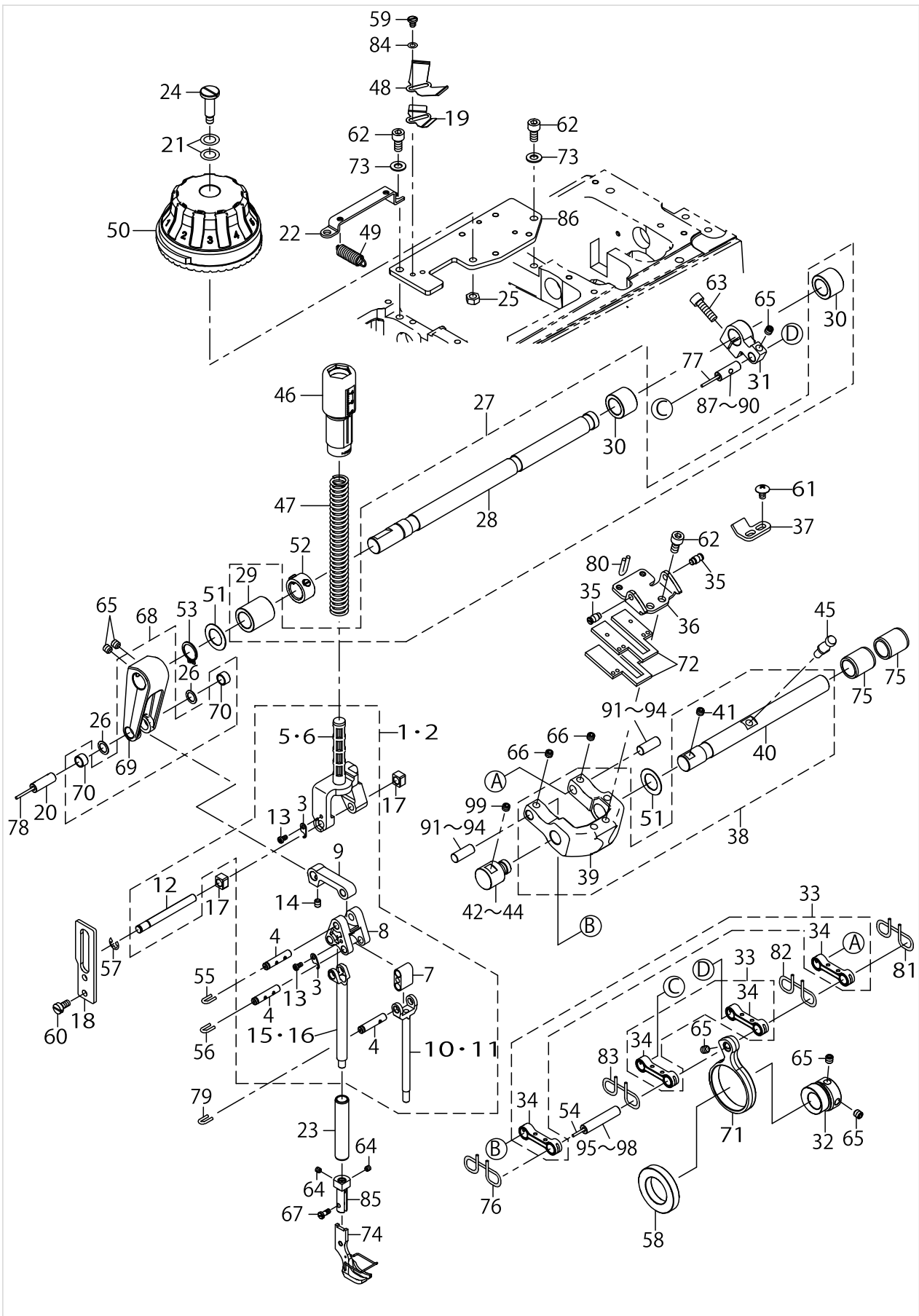
UPPER FEED COMPONENTS



UPPER FEED COMPONENTS

No.	Supply Code	Parts No.	Replacement	Parts name	Remarks	Choice	Step	Level	Cons	Qty	Rep. QTY
1		40144288		UPPER_FEED F ASM..S	FOR LU-2-810S,2810-S-7,2860S, 2860S-7					1	
2		40144289		UPPER_FEED F ASM..E	FOR LU-2-810A,2810-A-7,2860A, 2860A-7,2-818A-7,28-68A-7 2810-7/X73178					1	
3		10710804		TRIANGLE LEVER S-HAFT STOPPER				*		2	
4		40112176		CONNECTION_PIN				*		3	
5	R	40144286	40144288	SPRING RECEIVING S	FOR LU-2-810S,2810-S-7,2860S, 2860S-7			*		1	1.00
6	R	40144287	40144289	SPRING RECEIVING E	FOR LU-2-810A,2810-A-7,2860A, 2860A-7,2-818A-7,28-68A-7 2810-7/X73178			*		1	1.00
7		40123665		WALKING_BAR_DRIVING_LINK				*		1	
8		40125852		TRIANGULAR_LEVER				*		1	
9		40125854		UPPER_FEED_LINK_A				*		1	
10		40125936		WALKING_BAR_S	FOR LU-2-810S,2810-S-7,2860S, 2860S-7			*		1	
11		40125937		WALKING_BAR_E	FOR LU-2-810A,2810-A-7,2860A, 2860A-7,2-818A-7,28-68A-7 2810-7/X73178			*		1	
12		40126166		PRESSER_BAR_GUIDE_SHAFT				*		1	
13		SM4030601SN		SCREW M3X6				*		2	
14		SM8050612TP		SCREW M5X6				*		1	
15		40125860		PRESSURE_BAR_S_A	FOR LU-2-810S,2810-S-7,2860S, 2860S-7			*		1	
16		40125861		PRESSURE_BAR_E	FOR LU-2-810A,2810-A-7,2860A, 2860A-7,2-818A-7,28-68A-7 2810-7/X73178			*		1	
17		40090058		SLIDE BLOCK						2	
18		40125943		PRESSER ROD GUIDE						1	
19		40154199		LEAF_SPRING_ADJUSTING_PLATE						1	
20		40123634		ROCKING_LINK_PIN						1	
21		40023627		PRESSER PLATE SHEET WASHER						2	
22		40125867		SPRING_HOOK						1	
23	R	40135014	40171574	BUSHING						1	1.00
24	R	SD0802126TP	40082079	SHOULDER SCREW D=8 H=21.2						1	1.00
25		NM6060001SD		NUT M6						1	
26		E2613700000		WASHER						2	
27		40123319		UPPER_FEED_SHAFT_ASM.						1	
28		40123262		UPPER_FEED_SHAFT				*		1	
29	R	40123320	40123319	UPPER_FEED_SHAFT_METAL_F				*		1	1.00

UPPER FEED COMPONENTS

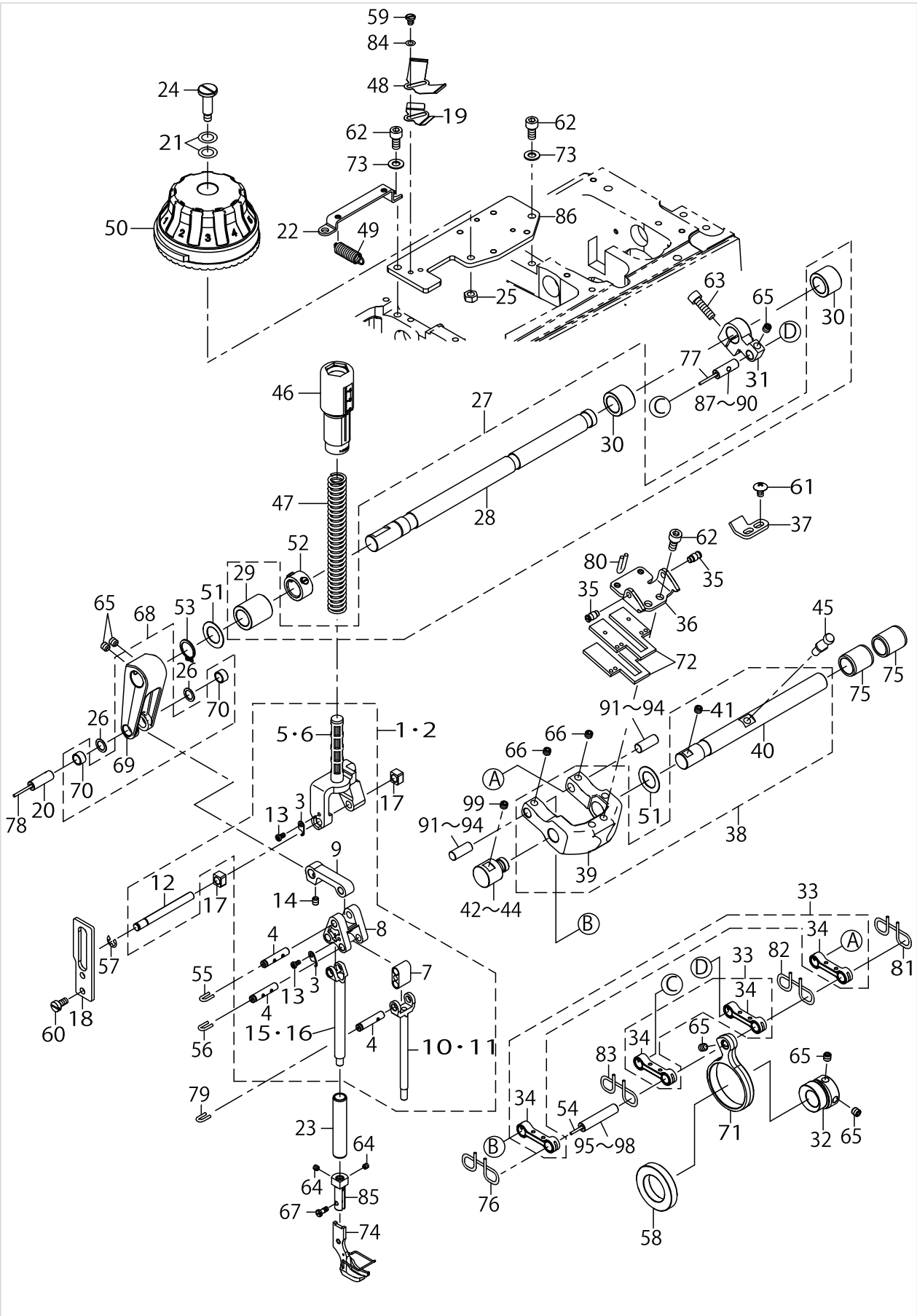


UPPER FEED COMPONENTS

No.	Supply Code	Parts No.	Replacement	Parts name	Remarks	Choice	Step	Level	Cons	Qty	Rep. QTY
30	R	40123321	40123319	UPPER_FEED_SHAFT_METAL_R				*		2	1.00
31		40126160		UPPER_FEED_REAR_ARM						1	
32		40126390		UPPER_FEED_CAM						1	
33		40126338		CONNECTION_LINK_ASM.						2	
34	R	40126223	40126338	CONNECTION_LINK				*		2	1.00
35		40038494		THREAD_BIND_ARM_SPRING_RAC						2	
36		40126269		CHANGE_BASE_SPRING_RACK						1	
37		40126264		CHANGE_BASE_STOPPER						1	
38		40123416		UPPER_FEED_CHANGE_BASE_ASM.						1	
39	R	40123414	40123416	UPPER_FEED_CHANGE_BASE				*		1	1.00
40	R	40123555	40123416	UF_CHANGE_BASE_SHAFT				*		1	1.00
41		SM80608A2TP		SCREW M6 L=8				*		1	
42		40145548		UF_CHANGE_BASE_SUPPORT_PIN	SELECTIVE PARTS					1	
43		40145549		UF_CHANGE_BASE_SUPPORT_PIN	SELECTIVE PARTS					1	
44		40145550		UF_CHANGE_BASE_SUPPORT_PIN	SELECTIVE PARTS					1	
45		40126374		VERTICAL_ADJUSTING_PIN						1	
46		40125926		PRESSER_ADJUSTING_SCREW						1	
47		40112197		PRESSER_SPRING					☆	1	
48		40112199		LEAF_SPRING						1	
49		40126400		SPRING						2	
50		40125850		VERTICAL_DIAL(VE)						1	
51		D1231555B00		WASHER						2	
52		22904155		MAIN SHAFT THRU-ST COLLAR ASM.						1	
53		RC0150001KP		RETAINING RING 13.8						1	
54		CQ202000000		OIL WICK						.042	
55		CQ252000000		OIL WICK						.048	
56		CQ252000000		OIL WICK						.048	
57		RE0500000K0		E-RING						1	
58		SB125000600		BEARING						1	
59		SM6040650TP		SCREW						2	
60		SM6051000SP		SCREW						2	
61		SM0050801SC		SCREW						2	
62		SM6061202TP		SCREW M6 L=12						5	
63		SM6062002TP		SCREW M6 L=20						1	
64		SM8040412TP		SET SCREW M4 L=4	FOR LU-2-810S,2810-S-7,2860S, 2860S-7					2	
65		SM8060612TP		SCREW M6 L=6						6	
66		SM8060552TP		SCREW M6 L=5						2	
67		SS6090910TP		SCREW 9/64-40 L=9	FOR LU-2-810S,2810-S-7,2860S, 2860S-7					1	
68		40126159		UPPER_FEED_FRONT_ARM_ASM.						1	
69	R	40126157	40126159	UPPER_FEED_FRONT_ARM				*		1	1.00
70	R	40126158	40126159	UPPER_FEED_FRONT_ARM_BUSH				*		2	1.00
71		40125876		UPPER_FEED_CAM_ROD						1	
72		40123345		FELT						2	
73		WP0651001SC		WASHER						2	



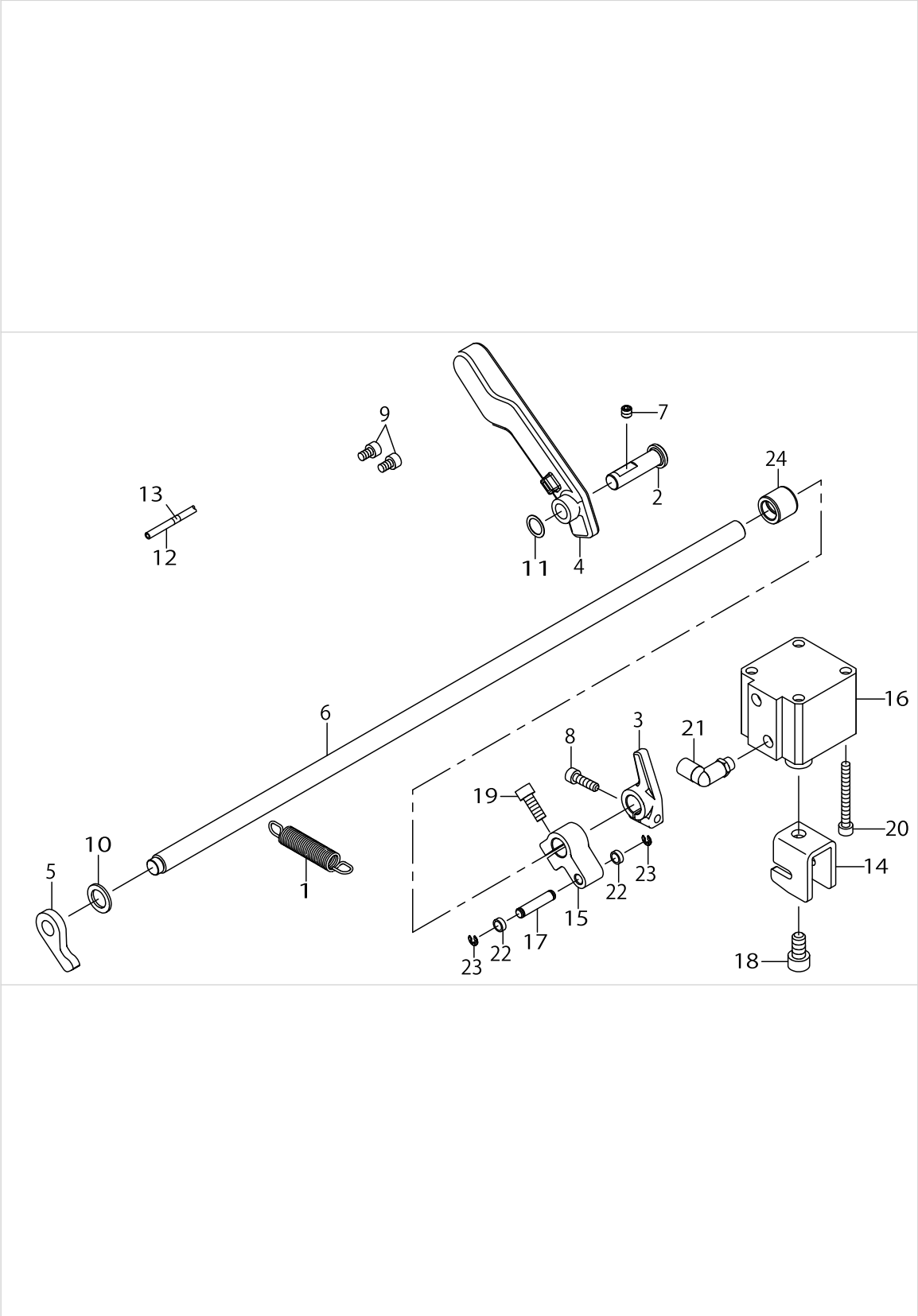
UPPER FEED COMPONENTS



UPPER FEED COMPONENTS

No.	Supply Code	Parts No.	Replacement	Parts name	Remarks	Choice	Step	Level	Cons	Qty	Rep. QTY
74		21350152		PRESSER FOOT ASM.	EXCHANGI- NG GAUGE PARTS (SEE.P.53)					1	
75		22913008		FEED ROCKER SHAFT BUSHING						2	
76		CQ202000000		OIL WICK						.25	
77		CQ202000000		OIL WICK						.02	
78		CQ202000000		OIL WICK						.02	
79		CQ252000000		OIL WICK						.048	
80		CQ202000000		OIL WICK						.1	
81		CQ202000000		OIL WICK						.25	
82		CQ202000000		OIL WICK						.25	
83		CQ202000000		OIL WICK						.25	
84		WP0430800SD		WASHER M4						4	
85		40125877		PRESSURE_BAR_S_B	FOR LU-2- 810S,2810S-7					1	
86		40125868		INSTALLING_PLATE						1	
87		40149115		ROCKING_LINK_PIN_A	SELECTIVE PARTS					1	
88		40149116		ROCKING_LINK_PIN_B	SELECTIVE PARTS					1	
89		40149117		ROCKING_LINK_PIN_C	SELECTIVE PARTS					1	
90		40149118		ROCKING_LINK_PIN_D	SELECTIVE PARTS					1	
91		40149120		FEED_ADJUSTING_PIN_A	SELECTIVE PARTS					2	
92		40149121		FEED_ADJUSTING_PIN_B	SELECTIVE PARTS					2	
93		40149122		FEED_ADJUSTING_PIN_C	SELECTIVE PARTS					2	
94		40149123		FEED_ADJUSTING_PIN_D	SELECTIVE PARTS					2	
95		40149125		FEED_ROD_PIN_A	SELECTIVE PARTS					1	
96		40149126		FEED_ROD_PIN_B	SELECTIVE PARTS					1	
97	D	40149127		FEED_ROD_PIN_C	SELECTIVE PARTS					1	
98		40149128		FEED_ROD_PIN_D	SELECTIVE PARTS					1	
99		SM80608A2TP		SCREW M6 L=8						1	

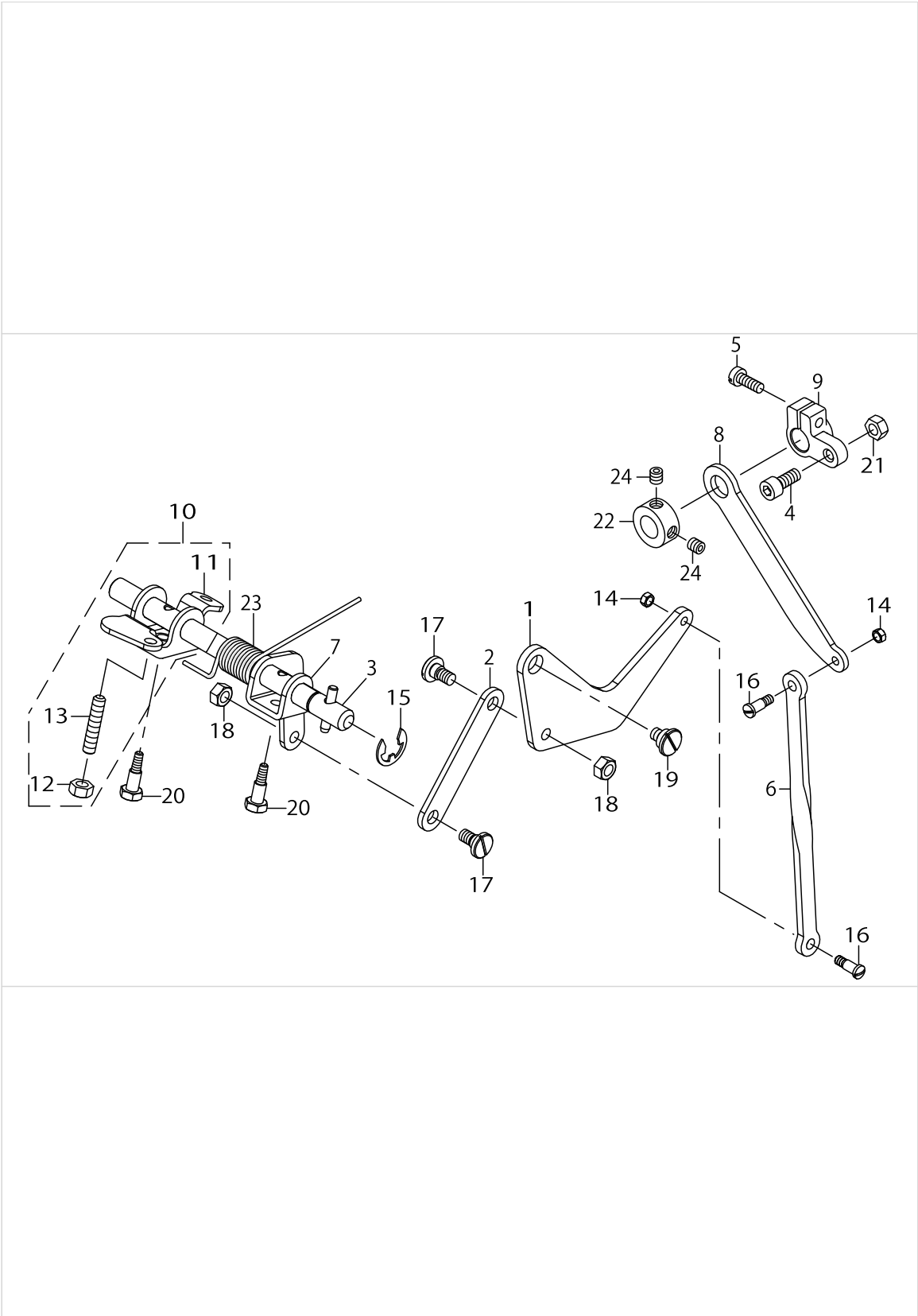
HAND LIFTER & AUTO LIFTER COMPONENTS



HAND LIFTER & AUTO LIFTER COMPONENTS

No.	Supply Code	Parts No.	Replacement	Parts name	Remarks	Choice	Step	Level	Cons	Qty	Rep. QTY
1		40126367		SPRING						1	
2		40006716		THREAD_TRIMMER_SHAFT						1	
3		40112184		LIFTER_LEVER_A						1	
4		40126150		LIFTER_LEVER_B						1	
5		40144283		LIFTER PLATE						1	
6		40126364		LIFTER_SHAFT						1	
7		SM8060612TP		SCREW M6 L=6						1	
8		SM6051802TP		SCREW M5 L=18						1	
9		SM6050802TP		SCREW M5X0.8 L=8						2	
10		13409107		WASHER						1	
11		WZ1052010KP		WAVED WASHER						1	
12		BT0400251EB		URETHANE HOSE BLACK	FOR LU-2- 810-7,2860- -7, 2818-7,2868-7					.62	
13		18035303		WIRE MARK (4)	FOR LU-2- 810-7,2860- -7, 2818-7,2868-7					1	
14		40112187		KNUCKLE_JOINT_A	FOR LU-2- 810-7,2860- -7, 2818-7,2868-7					1	
15		40112188		LIFTING_ARM	FOR LU-2- 810-7,2860- -7, 2818-7,2868-7					1	
16		PA400150200		AIR CYLINDER	FOR LU-2- 810-7,2860- -7, 2818-7,2868-7					1	
17		22949101		ROLLER FULCRUM SHAFT	FOR LU-2- 810-7,2860- -7, 2818-7,2868-7					1	
18		SM6081552TP		SCREW M8 L=15	FOR LU-2- 810-7,2860- -7, 2818-7,2868-7					1	
19		SM6061602TP		SCREW M6 L=16	FOR LU-2- 810-7,2860- -7, 2818-7,2868-7					1	
20		SM6054502TN		SCREW M5 L=45	FOR LU-2- 810-7,2860- -7, 2818-7,2868-7					4	
21		PJ304045102		ELBOW UNION C	FOR LU-2- 810-7,2860- -7, 2818-7,2868-7					1	
22		13951009		PRESSER FOOT ROLLER	FOR LU-2- 810-7,2860- -7, 2818-7,2868-7					2	
23		RE0400000K0		E-RING 4	FOR LU-2- 810-7,2860- -7, 2818-7,2868-7					2	
24		40086018		BUSHING_MAIN_FEED						1	

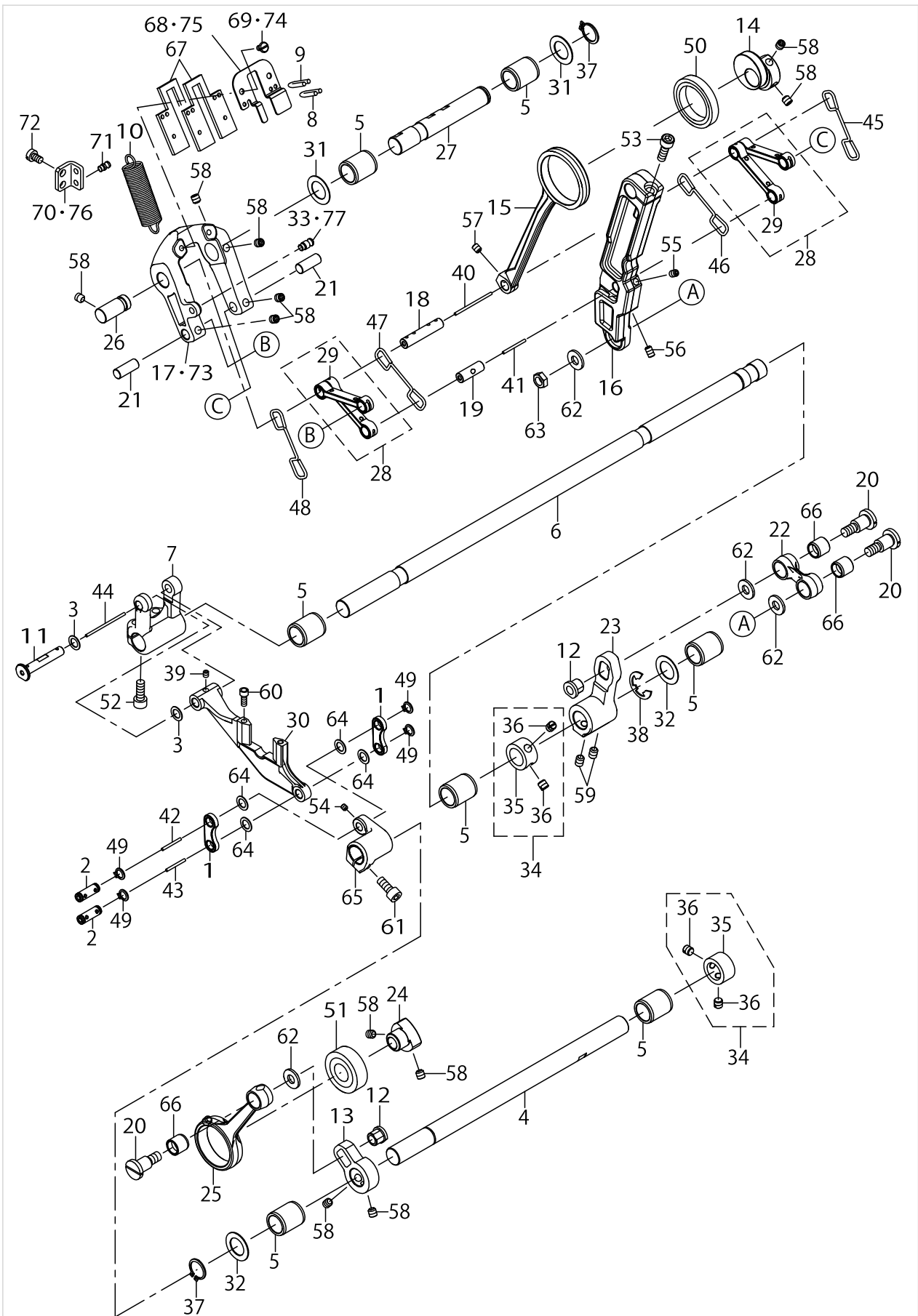
KNEE LIFTER COMPONENTS (FOR LU-2810,2860)



KNEE LIFTER COMPONENTS (FOR LU-2810,2860)

No.	Supply Code	Parts No.	Replacement	Parts name	Remarks	Choice	Step	Level	Cons	Qty	Rep. QTY
1		40126270		KNEE_PAD_LINK_A						1	
2		40126271		KNEE_PAD_LINK_B						1	
3		40126356		KNEE_LIFTER_SHAFT_ASM.						1	
4		SM6051202TP		SCREW M5X0.8 L=12						1	
5		SM6051400SP		SCREW						1	
6		40126272		KNEE_PAD_LINK_D						1	
7		40126273		KNEE_PAD_DRIVING_ARM						1	
8		40126274		KNEE_PAD_LINK_C						1	
9		40112127		BACKWARD_FEED_C- ONNECTING_ARM						1	
10		22932156		KNEE LIFTER ROTA- TION ARM ASM.						1	
11	R	22932107	22932156	KNEE LIFTING ROTATING ARM				*		1	1.00
12		NM6060001SE		NUT M6				*		2	
13		SM8063012TR		SCREW M6 L=30				*		2	
14		NS6110310SP		NUT 11/64-40						2	
15		RE1000000K0		E-RING 10						1	
16		SD0500803TP		HINGESCREW D=5H=8						2	
17		40082078		SHOULDER SCREW D=7.24 H=3.3						2	
18		NM6060001SE		NUT M6						2	
19		SD1000406TP		SHOULDER SCREW						1	
20		SM9061853SR		SCREW M6 L=17.5						2	
21		NM6050001SD		NUT M5X0.8						1	
22		GS1201171TP		THRUST COLLAR D=12 W=11						1	
23		23639503		SPRING						1	
24		SM8060612TP		SCREW M6 L=6						2	

LOWER FEED COMPONENTS

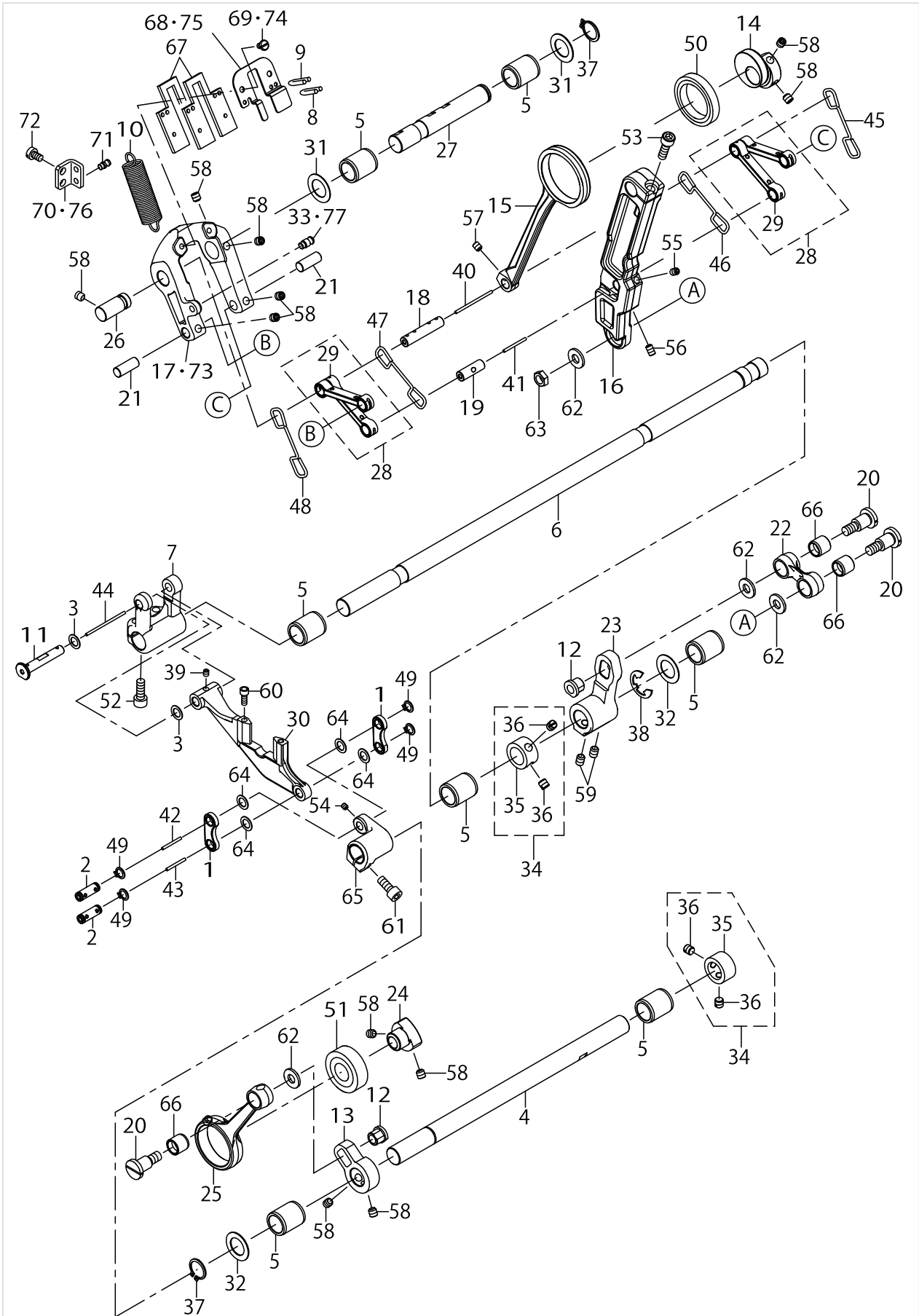


LOWER FEED COMPONENTS

No.	Supply Code	Parts No.	Replacement	Parts name	Remarks	Choice	Step	Level	Cons	Qty	Rep. QTY
1		40123666		VERTICAL_LINK						2	
2		40143626		VERTICAL FEED LINK SHAFT						2	
3		WP0740516SP		WASHER 7.4X11.8X0.5						2	
4		40123667		VERTICAL_FEED_LINK						1	
5		22913008		FEED ROCKER SHAFT BUSHING						7	
6		40126386		HORIZONTAL_FEED_SHAFT						1	
7		40126161		FEED_BASE_ARM						1	
8		CQ202000000		OIL WICK						.05	
9		CQ202000000		OIL WICK						.05	
10		40126401		SPRING_B						1	
11		40112098		FEED_BASE_SHAFT						1	
12		40126357		VERTICAL_FEED_ROD_NUT						2	
13		40125843		VERTICAL_FEED_ARM_REAR						1	
14		40123626		HORIZONTAL_FEED_CAM						1	
15		40126151		HORIZONTAL_FEED_ROD						1	
16		40123547		NEEDLE_BAR_ROCKING_LINK						1	
17		40123629		HORIZONTAL_FEED_CHANGE_BASE	FOR LU-2- 810,2860,2- 810-7 286- 0-7,2810-7/X73178					1	
18		40112118		FEED_ROD_PIN						1	
19		40123634		ROCKING_LINK_PIN						1	
20		SD1021251SP		HINGE SCREW D=10.20 H=12.5						3	
21		40126375		FEED_ADJUSTING_PIN_A						2	
22		40125856		CONNECTION_LINK						1	
23		40123668		HORIZONTAL_FEED_ARM						1	
24		40123627		VERTICAL_FEED_CAM						1	
25		40125857		VERTICAL_FEED_ROD						1	
26		40123639		HF_CHANGE_BASE_SUPPORT_PIN						1	
27		40123332		CHANGE_BASE_SHAFT						1	
28		40126339		CONNECTION_LINK_ASM.						2	
29	R	40123252	40126339	CONNECTION_LINK				*		2	1.00
30		40112293		FEED_BASE						1	
31		D1231555B00		WASHER						2	
32		B125578100A		WASHER A						2	
33		40038494		THREAD_BIND_ARM_SPRING RAC	FOR LU-2- 810,2860,2- 810-7 286- 0-7,2810-7/X73178					1	
34		22904155		MAIN SHAFT THRU-ST COLLAR ASM.						2	
35	R	22904106	22904155	MAIN SHAFT THRUST COLLAR				*		1	1.00
36		SS8660610TP		SCREW 1/4-40 L=6				*		2	
37		RC0150001KP		RETAINING RING 13.8						2	
38		RE1200000K0		E-RING 12						1	
39		SS8110422TP		SCREW 11/64-40 L=4						1	
40		CQ202000000		OIL WICK						.042	
41		CQ202000000		OIL WICK						.02	
42		CQ202000000		OIL WICK						.024	
43		CQ202000000		OIL WICK						.024	



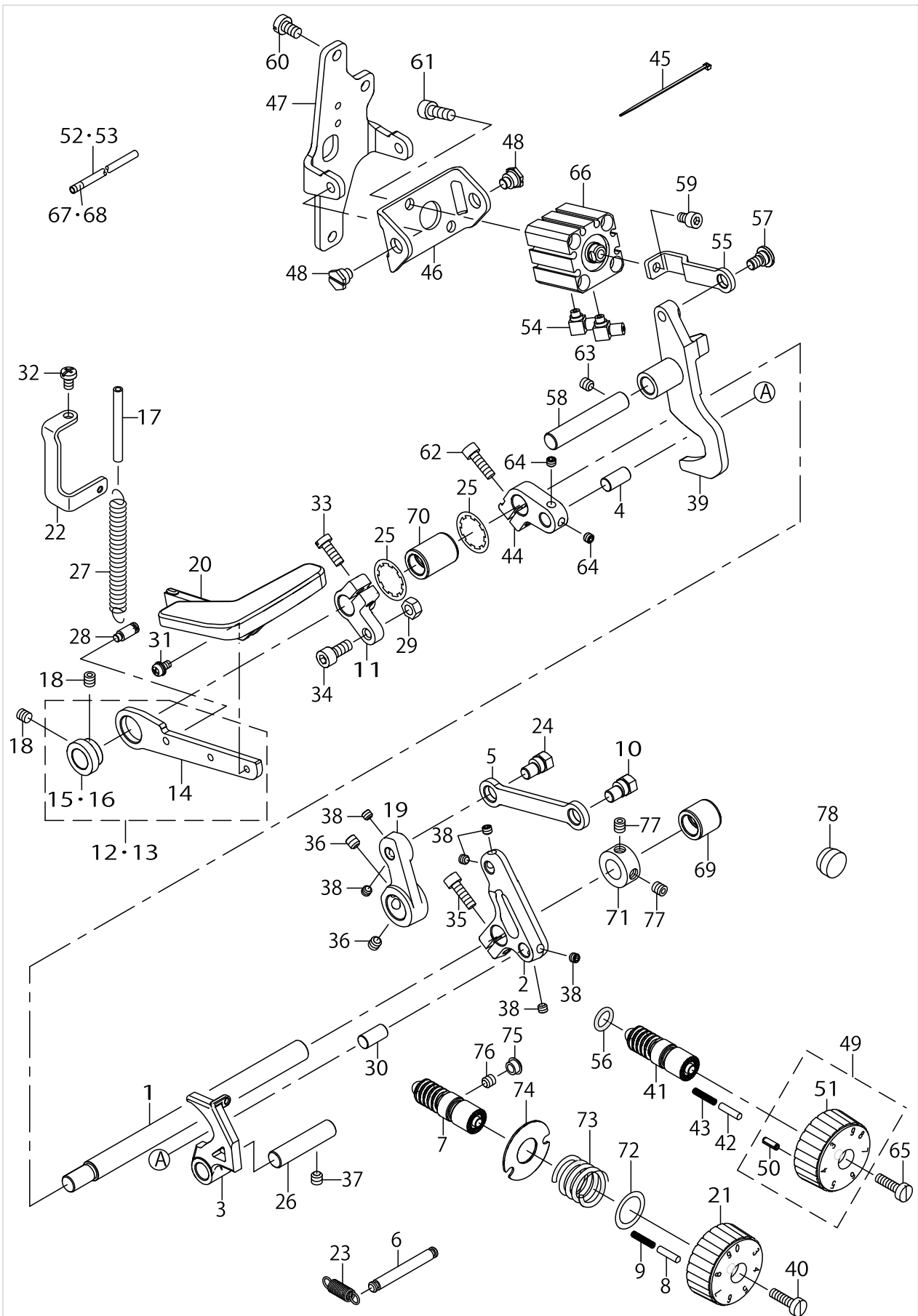
LOWER FEED COMPONENTS



LOWER FEED COMPONENTS

No.	Supply Code	Parts No.	Replacement	Parts name	Remarks	Choice	Step	Level	Cons	Qty	Rep. QTY
44		CQ202000000		OIL WICK						.04	
45		CQ202000000		OIL WICK						.3	
46		CQ202000000		OIL WICK						.3	
47		CQ202000000		OIL WICK						.3	
48		CQ202000000		OIL WICK						.3	
49		RC0650811KP		RETAINING RING						4	
50		40143087		BEARING						1	
51		40143085		BEARING						1	
52		SM6061602TP		SCREW M6 L=16						2	
53		SM6061802TP		SCREW M6 L=18						1	
54		SM8040412TP		SET SCREW M4 L=4						1	
55		SM8050842TP		SETSCREW						1	
56		SM8050812TP		SCREW M5X8						1	
57		SM8050612TP		SCREW M5X6						1	
58		SM8060612TP		SCREW M6 L=6						11	
59		SM8060812TP		SCREW M6 L=8						2	
60		SS6111052TP		SCREW						2	
61		SM6061402TP		SCREW M6 L=14						1	
62		26018705		WASHER						4	
63		NS6680410SP		NUT 9/32-28						1	
64		WP0740516SP		WASHER 7.4X11.8X0.5						4	
65		40125935		VERTICAL_FEED_ARM_FRONT						1	
66		40126359		VERTICAL_FEED_ROD_BUSH						3	
67		40123345		FELT						2	
68		40123346		FELT HOLDER	FOR LU-2- 810,2860,2- 810-7 286- 0-7,2810-7/X73178					1	
69		SM6040650TP		SCREW	FOR LU-2- 810,2860,2- 810-7 286- 0-7,2810-7/X73178					2	
70		12288908		THROAT PLATE BASE B SUPPORT	FOR LU-2- 810,2860,2- 810-7 286- 0-7,2810-7/X73178					1	
71		26017400		SPRING RAC						1	
72		SM6050800SP		SCREW M5 L=8						2	
73		40137553		HORIZONTAL_FEED_CHANGE_BASE	FOR LU-2- 818-7,2868-7					1	
74		SM6040650TP		SCREW	FOR LU-2- 818-7,2868-7					1	
75		40137554		FELE HOLDER	FOR LU-2- 818-7,2868-7					1	
76		40137779		SUPPORT_PLATE	FOR LU-2- 818-7,2868-7					1	
77		40137780		SPRING_RAC	FOR LU-2- 818-7,2868-7					1	

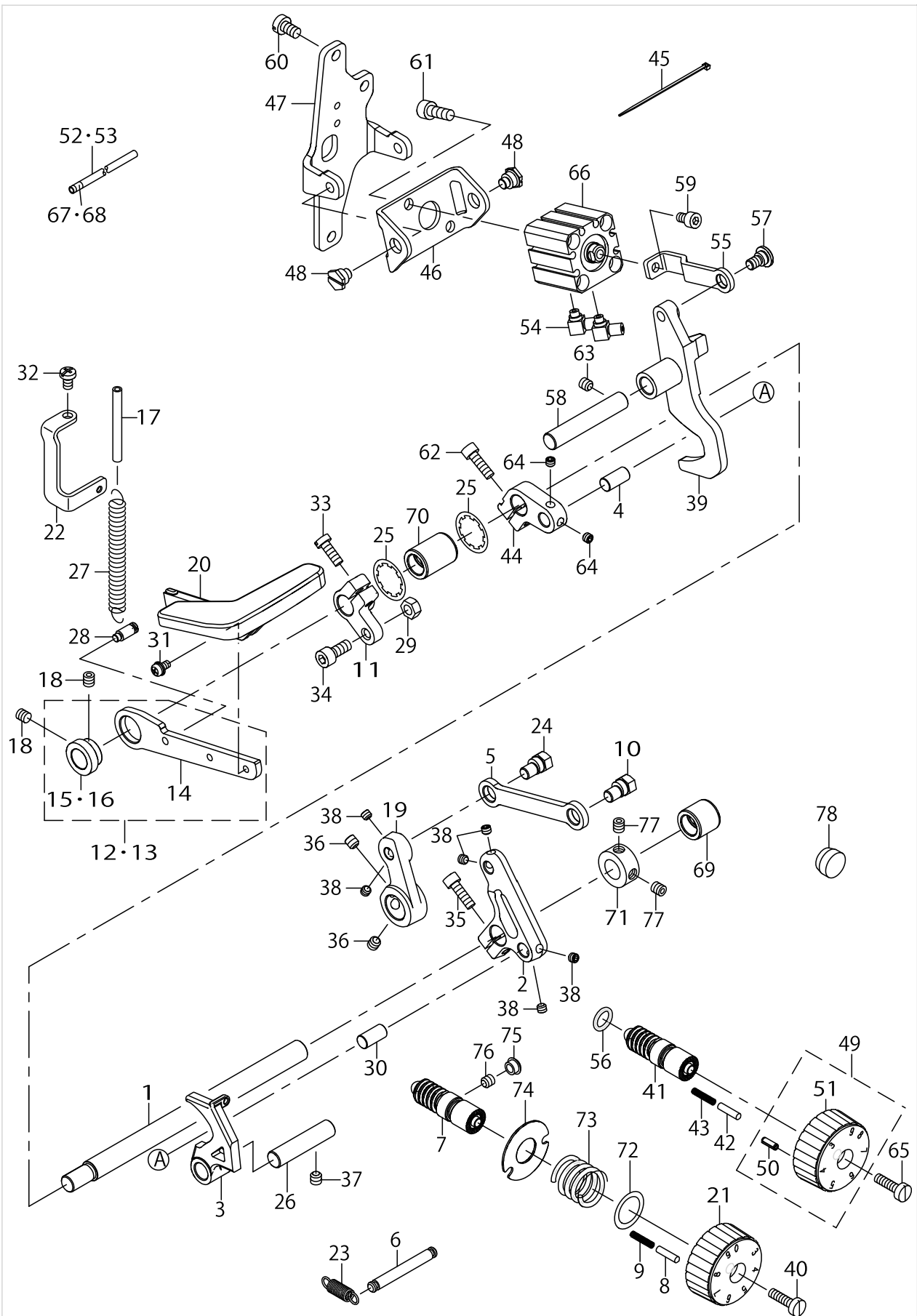
FEED ADJUST COMPONENTS (FOR LU-2810,2860,2810-7,2860-7,2810-7/X73178)



FEED ADJUST COMPONENTS (FOR LU-2810,2860,2810-7,2860-7,2810-7/X73178)

No.	Supply Code	Parts No.	Replacement	Parts name	Remarks	Choice	Step	Level	Cons	Qty	Rep. QTY
1		40126363		BACKWARD_FEED_LEVER_SHAFT						1	
2		40125934		FEED_ADJUSTING_PIN_HOLDER_A						1	
3		40125919		ADJUSTING_BASE_A						1	
4		40131887		FEED_ADJUSTING_PIN	FOR LU-2-810-7,2860-7					1	
5		40126561		FEED_ADJUSTING_LINK						1	
6		13518501		SPRINGSUSPENSION						1	
7		22911804		FEED REGULATOR SCREW					☆	1	
8		40122887		FEED REGULATOR PIN						1	
9		22912109		FEED REGULATOR PIN SPRING						1	
10		23613409		FEED ADJUSTING PIN						1	
11		40112127		BACKWARD_FEED_C-CONNECTING_ARM	FOR LU-2-810-7,2860-7, 2810-7/X73178					1	
12		40112128		REVERSE_FEED_LEVER_PLATE_ASM.	FOR LU-2-810-7,2860-7, 2810-7/X73178					1	
13		40126362		REVERSE_FEED_LEVER_ASM.	FOR LU-2810,2860					1	
14	R	40112281	40112128	REVERSE_FEED_REVER_PLATE		A	系切り仕様- /Needle thread trimming type	*		1	1.00
14	R	40112281	40126362	REVERSE_FEED_REVER_PLATE		B	系切り無仕様/ No Needle thread trimming type	*		1	1.00
15	R	40112282	40112128	REVERSE_FEED_REVER_BUSH	FOR LU-2-810-7,2860-7, 2810-7/X73178	A	for LU	*		1	1.00
15	R	40112282	40129991	REVERSE_FEED_REVER_BUSH	FOR LU-2-810-7,2860-7, 2810-7/X73178	B	for PLC	*		1	1.00
16		40126555		REVERSE_FEED_LEVER_BUSH	FOR LU-2810,2860			*		1	
17		23630007		TUBE	FOR LU-2-810-7,2860-7, 2810-7/X73178					.08	
18		SM8060612TP		SCREW M6 L=6	FOR LU-2810,2860					2	
19		40123628		FEED_ADJUSTING_ARM						1	
20		40126116		REVERSE_FEED_LEVER_DRAFT						1	
21		40142199		FEED_DIAL					☆	1	
22		40125864		REVERSE_FEED_LEVER_SPRING_HOOK	FOR LU-2-810-7,2860-7, 2810-7/X73178					1	
23		10721306		CHANGE SPRING						1	
24		23613409		FEED ADJUSTING PIN						1	
25		WT1780011KP		TOOTHED WASHER 18						2	
26		40033825		HEAD_FIXED_SHAFT						1	
27		D2629M1YC0F		SPRING	FOR LU-2-810-7,2860-7, 2810-7/X73178					1	
28		26229302		SUSPENSION SCREW	FOR LU-2-810-7,2860-7, 2810-7/X73178					1	
29		NM6050001SD		NUT M5X0.8	FOR LU-2-810-7,2860-7, 2810-7/X73178					1	
30		40134959		FEED_ADJUSTING_PIN						1	
31		SL4040881SC		SCREW M4 L=8						2	
32		SM4050855SP		SCREW	FOR LU-2-810-7,2860-7					1	

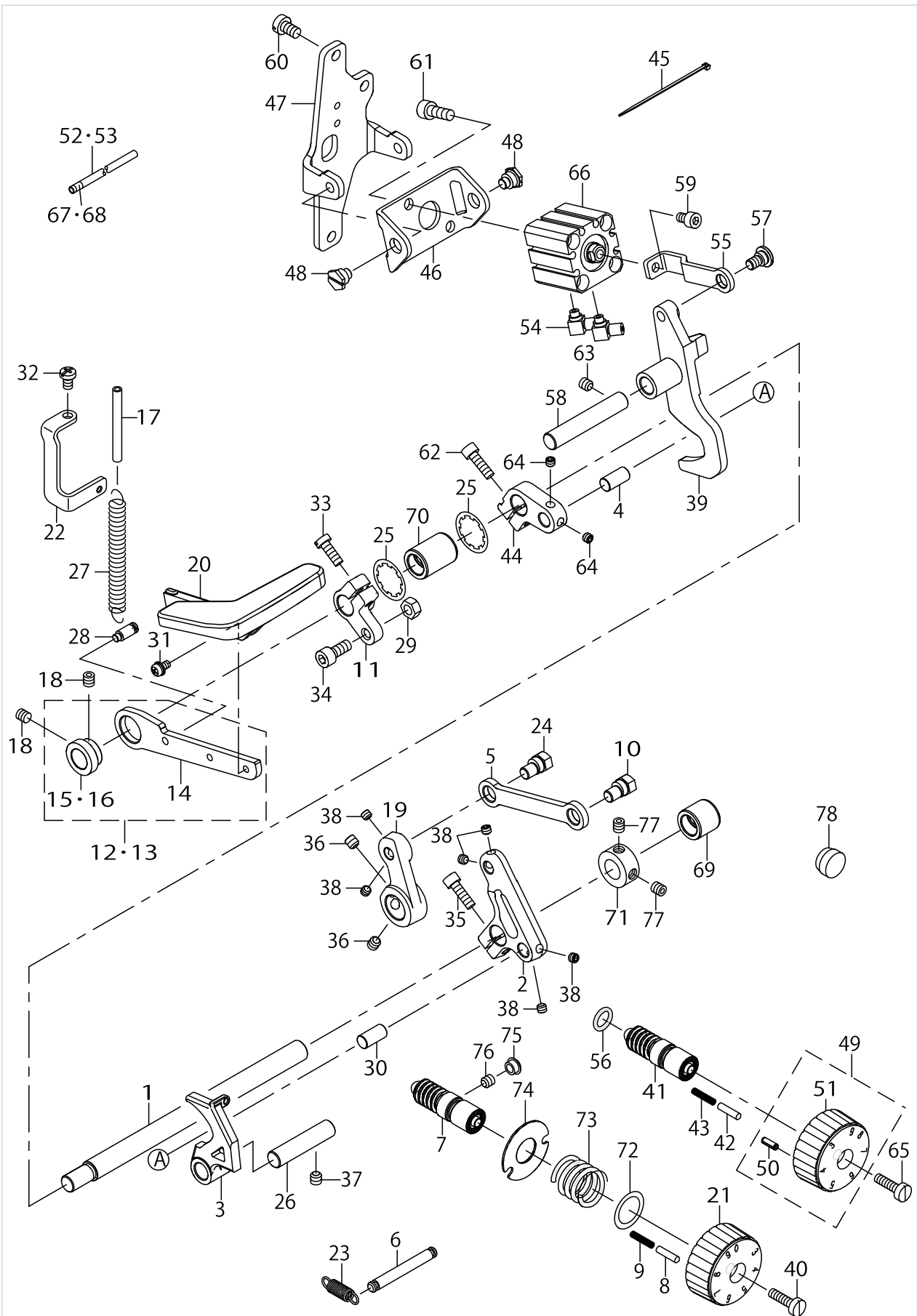
FEED ADJUST COMPONENTS (FOR LU-2810,2860,2810-7,2860-7,2810-7/X73178)



FEED ADJUST COMPONENTS (FOR LU-2810,2860,2810-7,2860-7,2810-7/X73178)

No.	Supply Code	Parts No.	Replacement	Parts name	Remarks	Choice	Step	Level	Cons	Qty	Rep. QTY
33		SM6051400SP		SCREW	FOR LU-2-810-7,2860-7					1	
34		SM6051202TP		SCREW M5X0.8 L=12	FOR LU-2-810-7,2860-7					1	
35		SM6051602TP		SCREW M5X0.8 L=16						1	
36		SM8060612TP		SCREW M6 L=6						2	
37		SM8060612TP		SCREW M6 L=6						1	
38		SM8050412TP		SCREW M5 L=4						6	
39		40125920		ADJUSTING_BASE_B	FOR LU-2-810-7,2860-7					1	
40		SS6121860SP		SCREW 3/16-28 L=18						1	
41		22911804		FEED REGULATOR SCREW	FOR LU-2-810-7,2860-7				☆	1	
42		22912000		FEED REGULATOR PIN	FOR LU-2-810-7,2860-7					1	
43		22912109		FEED REGULATOR PIN SPRING	FOR LU-2-810-7,2860-7					1	
44		40125858		FEED_ADJUSTING_PIN HOLDER_B	FOR LU-2-810-7,2860-7					1	
45		EA9500B0100		CABLE BAND						1	
46		40126642		CYLINDER_BASE_A	FOR LU-2-810-7,2860-7					1	
47		40126643		CYLINDER_BASE_B	FOR LU-2-810-7,2860-7					1	
48		SD0900426TP		SHOULDER SCREW D=9 H=4.2	FOR LU-2-810-7,2860-7					2	
49		40142200		FEED_DIAL(A) ASM.	FOR LU-2-810-7,2860-7					1	
50		PS0350102KR		SPRING PIN 3.5X10	FOR LU-2-810-7,2860-7				*	1	
51		40142201		FEED_DIAL(A)					*	☆	1
52		BT0400251EB		URETHANE HOSE BLACK	FOR LU-2-810-7,2860-7					.36	
53		BT0400251EB		URETHANE HOSE BLACK	FOR LU-2-810-7,2860-7					.36	
54		PJ046052503		HOSE ELBOW	FOR LU-2-810-7,2860-7					2	
55		40112267		CYLINDER_JOINT	FOR LU-2-810-7,2860-7					1	
56		RO092270200		RUBBER RING	FOR LU-2-810-7,2860-7				☆	1	
57		SD0800346TP		SHOULDER SCREW	FOR LU-2-810-7,2860-7					1	
58		40077931		PRESSURE_LOWERING_SHAFT	FOR LU-2-810-7,2860-7					1	
59		SM6050802TP		SCREW M5X0.8 L=8	FOR LU-2-810-7,2860-7					1	
60		SM6061010TP		SCREW M6 L=10	FOR LU-2-810-7,2860-7					3	
61		SM6061602TP		SCREW M6 L=16	FOR LU-2-810-7,2860-7					2	
62		SM6051602TP		SCREW M5X0.8 L=16	FOR LU-2-810-7,2860-7					1	
63		SM8060612TP		SCREW M6 L=6	FOR LU-2-810-7,2860-7					1	
64		SM8050412TP		SCREW M5 L=4	FOR LU-2-810-7,2860-7					2	
65		SS6121860SP		SCREW 3/16-28 L=18	FOR LU-2-810-7,2860-7					1	
66		PA200150900		AIR CYLINDER	FOR LU-2-810-7,2860-7					1	
67		18035006		CABLE MARK NO.1	FOR LU-2-810-7,2860-7					1	
68		18035105		WIRE MARK (2)	FOR LU-2-810-7,2860-7					1	

FEED ADJUST COMPONENTS (FOR LU-2810,2860,2810-7,2860-7,2810-7/X73178)

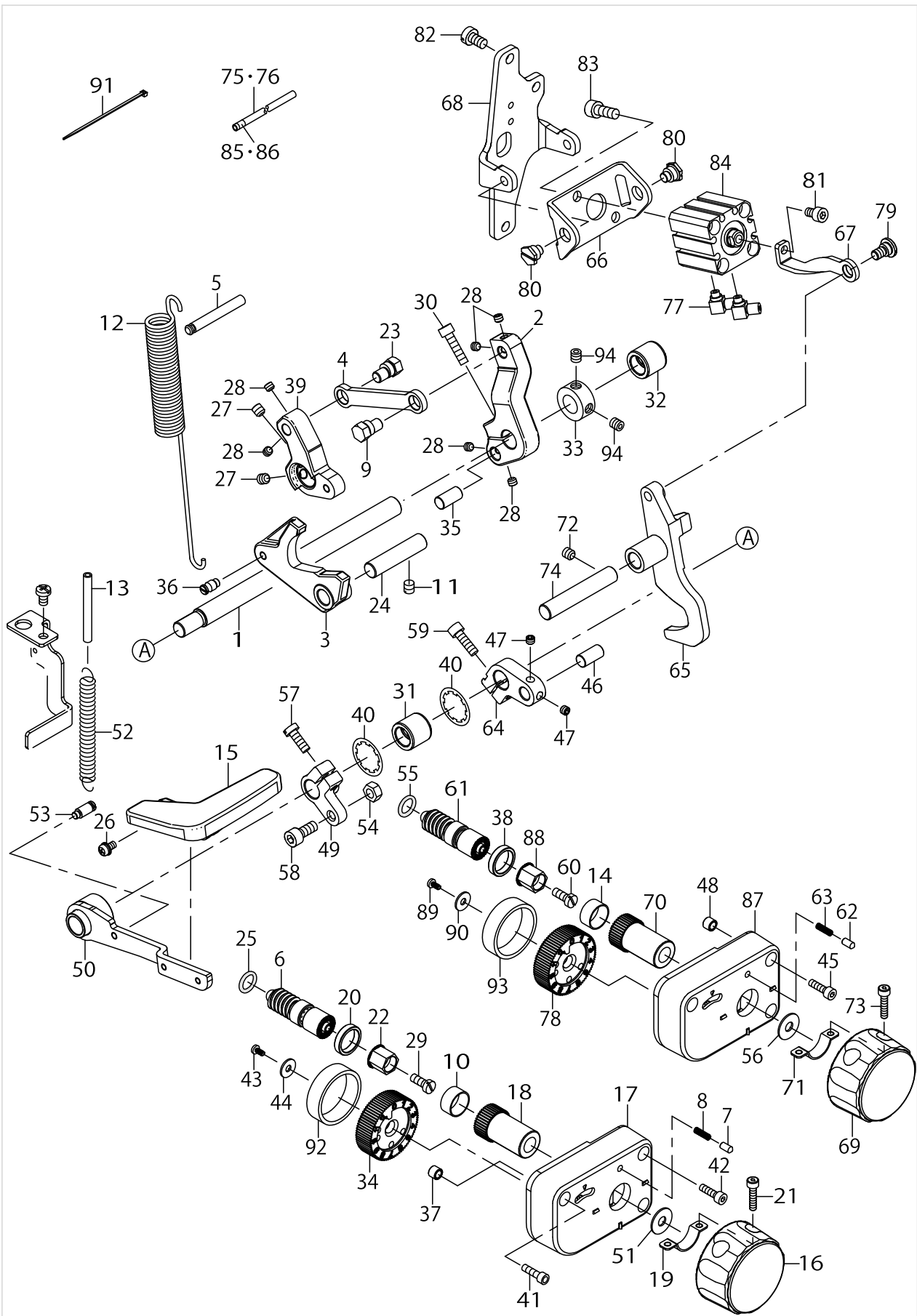


FEED ADJUST COMPONENTS (FOR LU-2810,2860,2810-7,2860-7,2810-7/X73178)

No.	Supply Code	Parts No.	Replacement	Parts name	Remarks	Choice	Step	Level	Cons	Qty	Rep. QTY
69		40143624		BUSHING MAIN FEED						1	
70		13424502		BUSHING FRONT						1	
71		GS1201171TP		THRUST COLLAR D=12 W=11						1	
72		WP1751616SD		WASHER 17.5X24X1.6						1	
73		23534506		FEED DIAL SPRING						1	
74		40090101		FEED_DIAL_STOPPER_WASHER_B						1	
75		TA0750404R0		PLUG D=7.5 L=3.5						1	
76		SM8060612TP		SCREW M6 L=6						1	
77		SM8060612TP		SCREW M6 L=6						2	
78		TA1550902R0		PLUG	LU-2810-7/X73178					1	



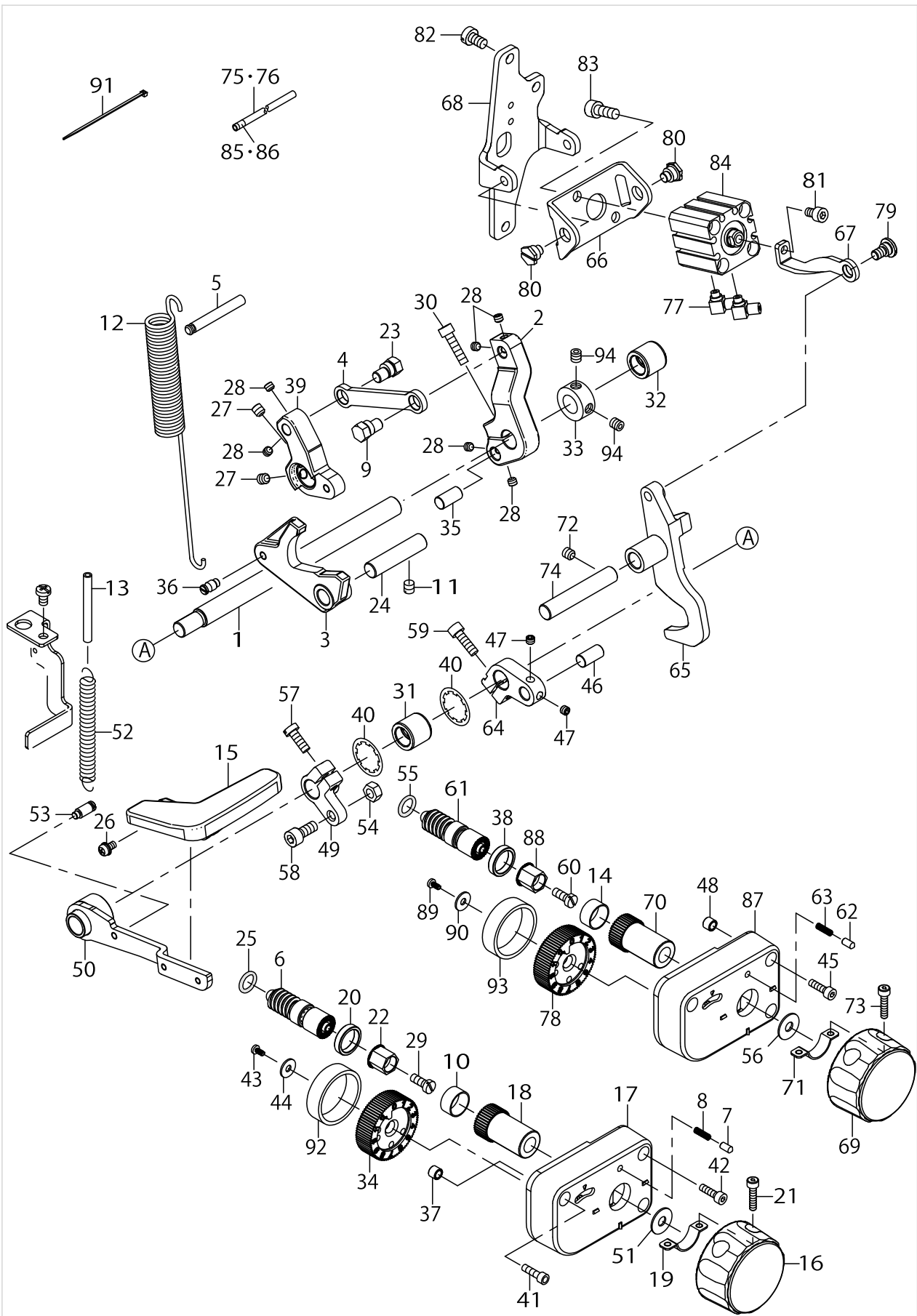
FEED ADJUST COMPONENTS (FOR LU-2818-7,2868-7)



FEED ADJUST COMPONENTS (FOR LU-2818-7,2868-7)

No.	Supply Code	Parts No.	Replacement	Parts name	Remarks	Choice	Step	Level	Cons	Qty	Rep. QTY
1		40126363		BACKWARD_FEED_LEVER_SHAFT						1	
2		40129986		FEED_ADJUSTING_PIN_HOLDER_A						1	
3		40129984		ADJUSTING_BASE_A						1	
4		40129988		FEED_ADJUSTING_LINK						1	
5		40134528		SPRINGSUSPENSION						1	
6		22911804		FEED REGULATOR SCREW					☆	1	
7		10715704		VERTICAL DIAL PIN					☆	1	
8		B152652700G		SPRING						1	
9		23613409		FEED ADJUSTING PIN						1	
10		40137613		DIAL PLATE BUSH						1	
11		SM8060612TP		SCREW M6 L=6						1	
12		40134105		FEED_ADJUSTING_BASE_SPRING						1	
13		23630007		TUBE						.08	
14		40137613		DIAL PLATE BUSH						1	
15		40126116		REVERSE_FEED_LEVER_DRAFT						1	
16		40130004		FEED_DIAL_KNOB					☆	1	
17		40130001		FEED_DIAL_COVER_A						1	
18		40130003		FEED_DIAL_GEAR						1	
19		40130005		FEED_DIAL_SUPPORT_PLATE						1	
20		40133826		SPACER						1	
21		SM6041802TP		SCREW M4 L=18						2	
22		40130006		HEXA_SHAFT						1	
23		23613409		FEED ADJUSTING PIN						1	
24		40033825		HEAD_FIXED_SHAFT						1	
25		RO092270200		O-RING					☆	1	
26		SL4040881SC		SCREW M4 L=8						2	
27		SM8060612TP		SCREW M6 L=6						2	
28		SM8050412TP		SCREW M5 L=4						6	
29		SS6121210SP		SCREW 3/16-28 L=12						1	
30		SM6052002TP		SCREW M5X0.8 L=20						1	
31		13424502		BUSHING FRONT						1	
32		40143624		BUSHING MAIN FEED						1	
33		CS1201171TP		THRUST COLLAR D=12 W=11						1	
34		40132118		FEED_DIAL_PLATE_A						1	
35		40134959		FEED ADJUSTING PIN A						1	
36		40137780		SPRING RAC						1	
37		B4122804000		ROLLER						1	
38		40133826		SPACER						1	
39		40130412		FEED_ADJUSTING_ARM_BT						1	
40		WT1780011KP		TOOTHED WASHER 18						2	
41		SM6041402TP		SCREW M4 L=14						1	
42		SM6040802TP		SCREW M4X0.7 L=8						2	
43		40130820		SCREW						1	
44		WP0431005SP		PLAIN WASHER						1	
45		SM6041402TP		SCREW M4 L=14						3	
46		40131887		FEED_ADJUSTING_PIN						1	

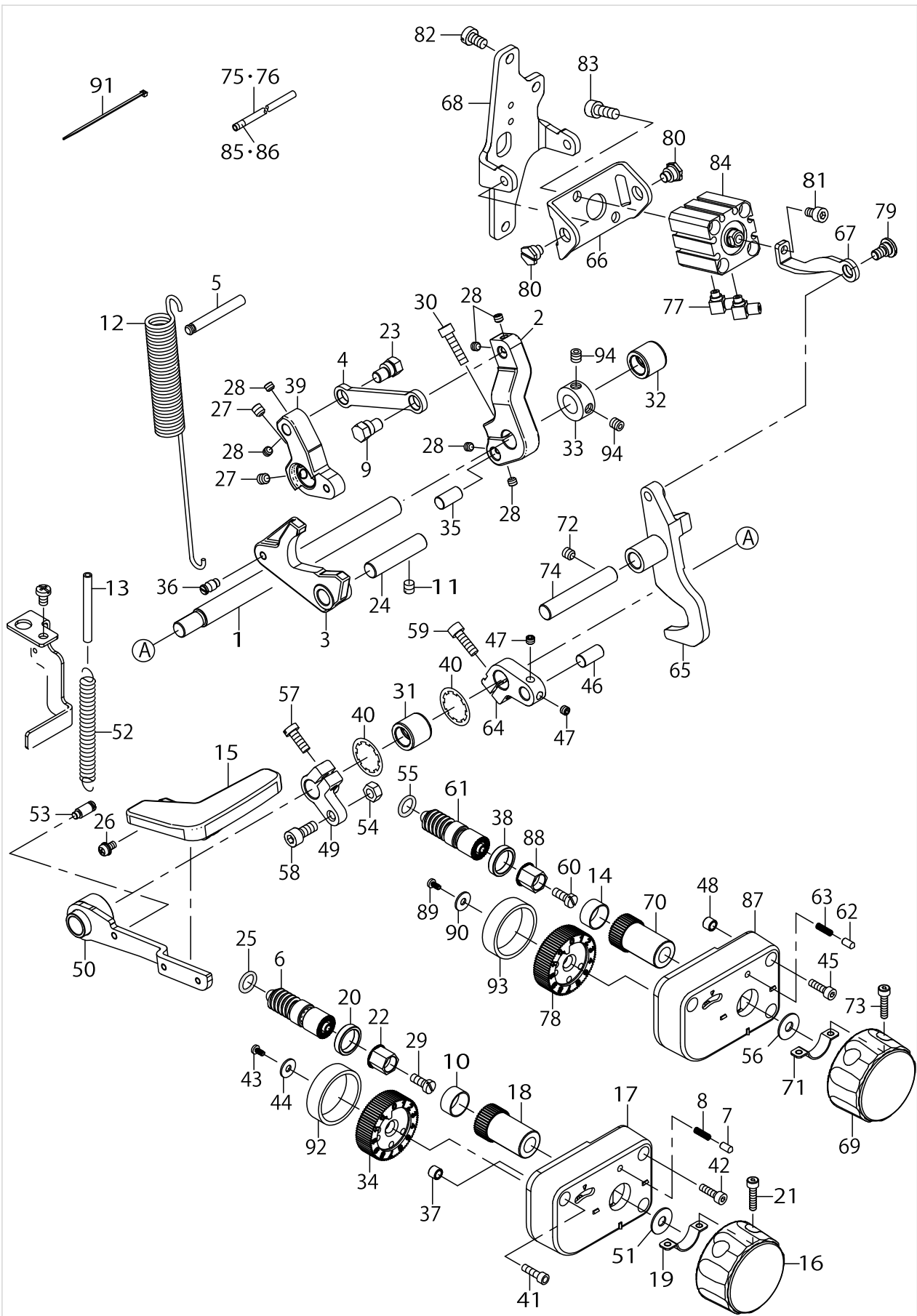
FEED ADJUST COMPONENTS (FOR LU-2818-7,2868-7)



FEED ADJUST COMPONENTS (FOR LU-2818-7,2868-7)

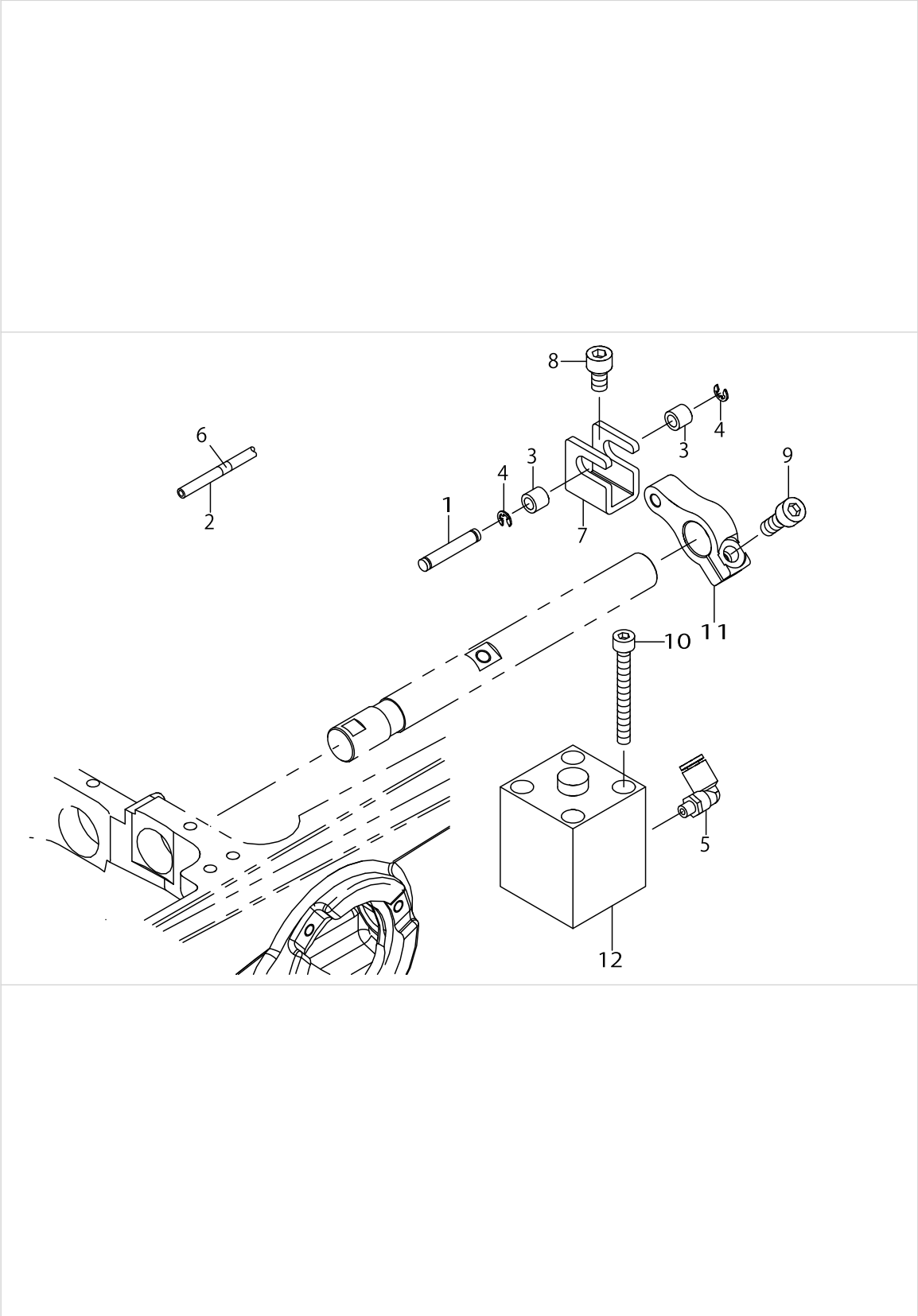
No.	Supply Code	Parts No.	Replacement	Parts name	Remarks	Choice	Step	Level	Cons	Qty	Rep. QTY
47		SM8050412TP		SCREW M5 L=4						2	
48		B4122804000		ROLLER						3	
49		40112127		BACKWARD_FEED_C- ONNECTING_ARM						1	
50		40129991		REVERSE_FEED_LEVER_ASM						1	
51		WP0621036SP		WASHER						4	
52		D2629M1YC0F		SPRING						1	
53		26229302		SUSPENSION SCREW						1	
54		NM6050001SD		NUT M5X0.8 TYPE1						1	
55		RO092270200		O-RING					☆	1	
56		WP0621036SP		WASHER						4	
57		SM6051400SP		SCREW						1	
58		SM6051202TP		SCREW M5X0.8 L=12						1	
59		SM6051602TP		SCREW M5X0.8 L=16						1	
60		SS6121210SP		SCREW 3/16-28 L=12						1	
61		22911804		FEED REGULATOR SCREW					☆	1	
62		10715704		VERTICAL DIAL PIN					☆	1	
63		B152652700G		SPRING						1	
64		40125858		FEED_ADJUSTING_PIN_HOLDER_B						1	
65		40129985		ADJUSTING_BASE_B						1	
66		40126642		CYLINDER_BASE_A						1	
67		40129999		CYLINDER_JOINT_B						1	
68		40126643		CYLINDER_BASE_B						1	
69		40130004		FEED_DIAL_KNOB					☆	1	
70		40130003		FEED_DIAL_GEAR						1	
71		40130005		FEED_DIAL_SUPPORT_PLATE						1	
72		SM8060612TP		SCREW M6 L=6						1	
73		SM6041802TP		SCREW M4 L=18						2	
74		40077931		PRESSURE_LOWERING_SHAFT						1	
75		BT0400251EB		URETHANE TUBE BLACK 4X2.5						.36	
76		BT0400251EB		URETHANE TUBE BLACK 4X2.5						.36	
77		PJ046052503		HOSE ELBOW						2	
78		40132118		FEED_DIAL_PLATE_A						1	
79		SD0800346TP		SHOULDER SCREW D=8 H=3.4						1	
80		SD0900426TP		SHOULDER SCREW D=9 H=4.2						2	
81		SM6050802TP		SCREW M5X0.8 L=8						1	
82		SM6061010TP		SCREW M6 L=10						3	
83		SM6061602TP		SCREW M6 L=16						2	
84		PA200150900		AIR CYLINDER						1	
85		18035006		CABLE MARK NO.1						1	
86		18035105		WIRE MARK (2)						1	
87		40130819		FEED_DIAL_COVER_B						1	
88		40130006		HEXA_SHAFT						1	
89		40130820		SCREW						2	
90		WP0431005SP		PLAIN WASHER						2	
91		EA9500B0100		CABLE BAND						2	
92		40137612		DIAL PLATE BUSH						1	

FEED ADJUST COMPONENTS (FOR LU-2818-7,2868-7)



FEED ADJUST COMPONENTS (FOR LU-2818-7,2868-7)

No.	Supply Code	Parts No.	Replacement	Parts name	Remarks	Choice	Step	Level	Cons	Qty	Rep. QTY
93		40137612		DIAL PLATE BUSH						1	
94		SM8060612TP		SCREW M6 L=6						2	

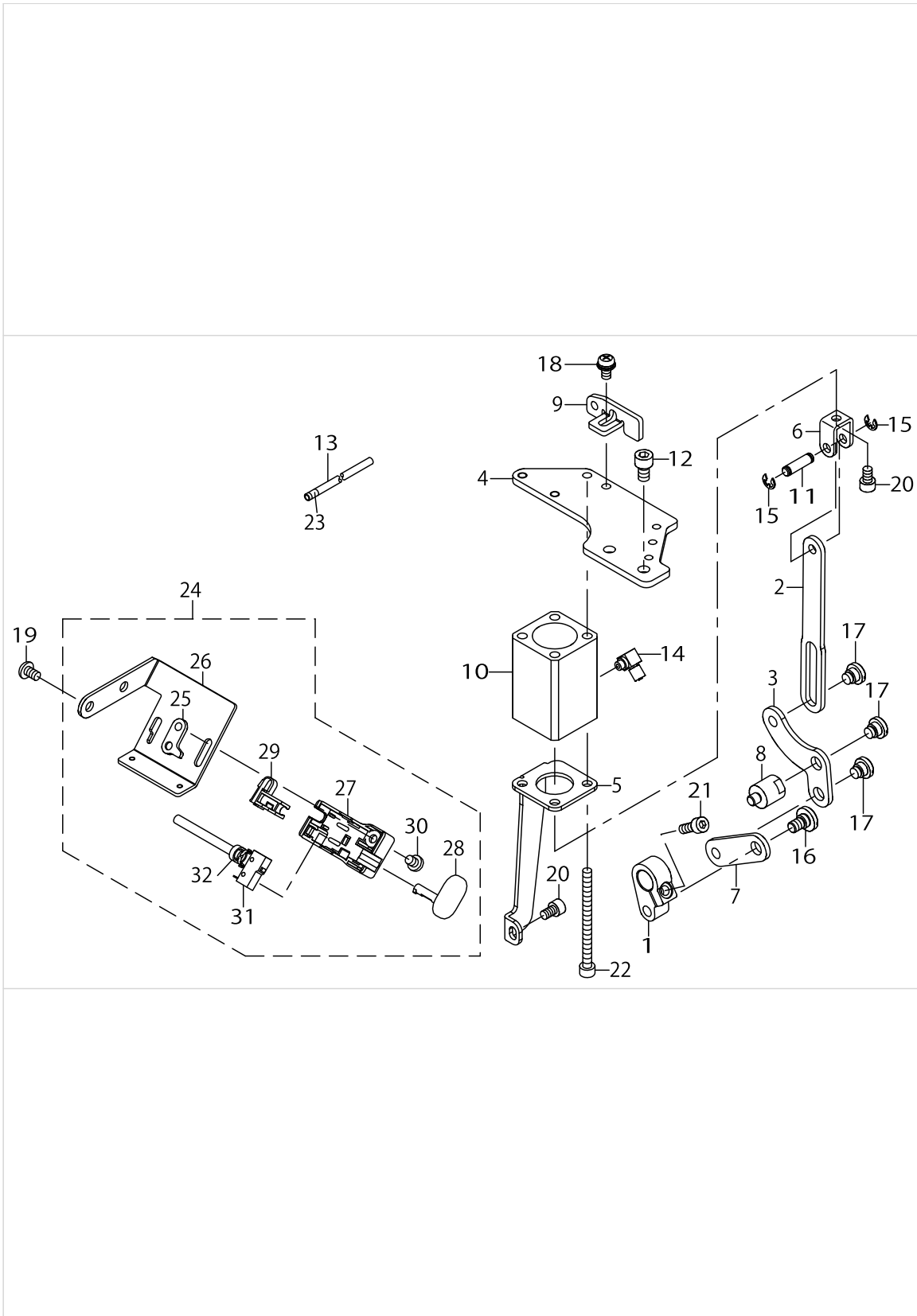


DL COMPONENTS (FOR LU-2810-7,2860-7,2818-7,2868-7,2810-7/X73178)

No.	Supply Code	Parts No.	Replacement	Parts name	Remarks	Choice	Step	Level	Cons	Qty	Rep. QTY
1		B1504210000		CONNECTING SHAFT						1	
2		BT0400251EB		URETHANE HOSE BLACK						.58	
3		B3031141H00		CONNECTING STUD						2	
4		RE0320000K0		E-RING 3.2						2	
5		PJ304040504		ELBOW UNION						1	
6		18035501		WIRE MARK (6)						1	
7		40112191		KNUCKLE_JOINT_B						1	
8		SM6061002TP		SCREW M6 L=10						1	
9		SM6061602TP		SCREW M6 L=16						1	
10		SM6054502TP		SCREW M5X0.8 L=45						2	
11		40112192		TERTICAL_CYLINDER_ARM						1	
12		PA250250900		AIR CYLINDER						1	



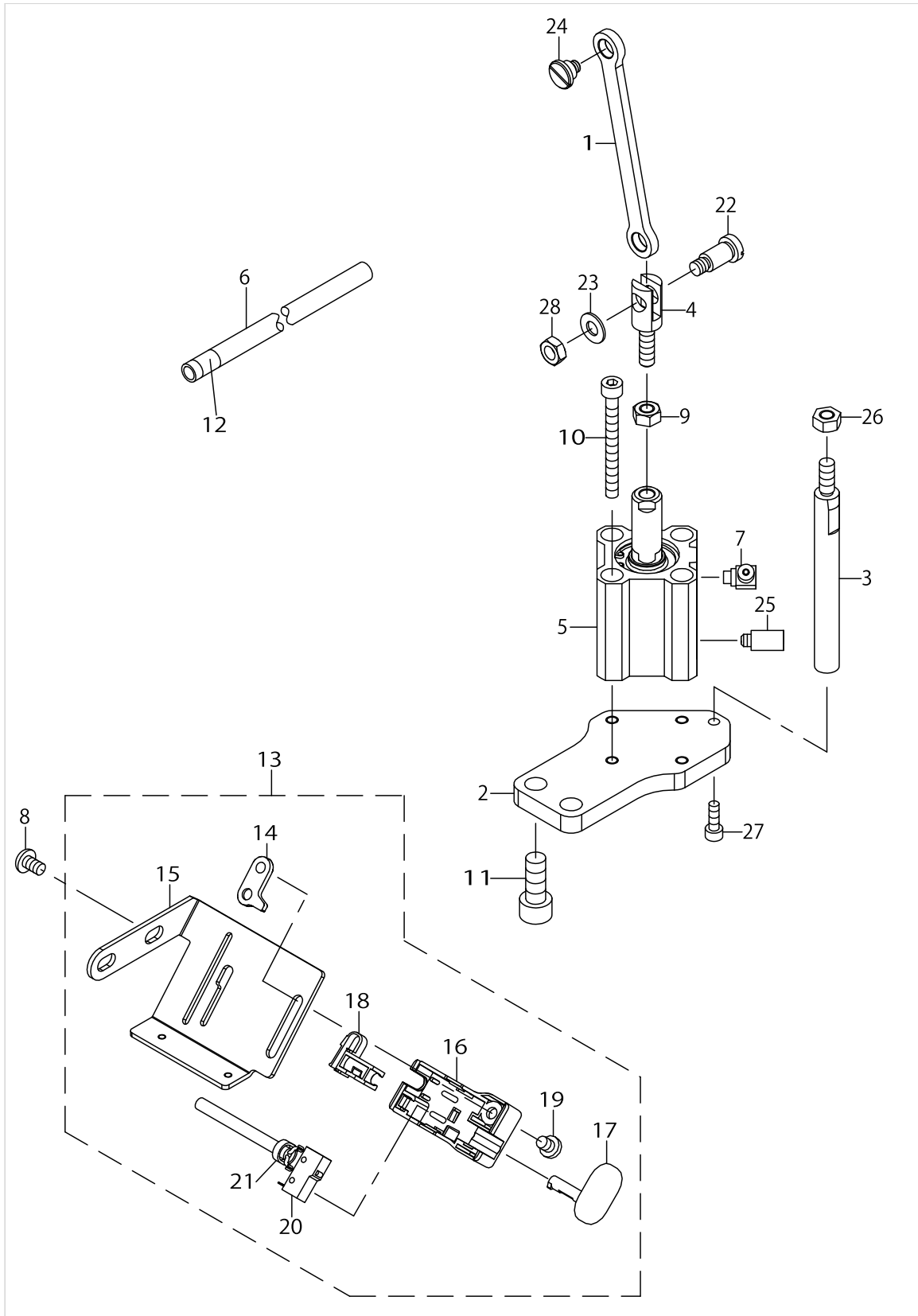
AUTO BT COMPONENTS (FOR LU-2810-7,2860-7,2810-7/X73178)



AUTO BT COMPONENTS (FOR LU-2810-7,2860-7,2810-7/X73178)

No.	Supply Code	Parts No.	Replacement	Parts name	Remarks	Choice	Step	Level	Cons	Qty	Rep. QTY
1		40112136		BT_ARM						1	
2		40112137		LINK_A						1	
3		40112138		LINK_B						1	
4		40125872		CYLINDER_BRACKET						1	
5		40112140		CYLINDER_STAY						1	
6		40112149		CYLINDER_KNUCKLE						1	
7		40112150		LINK_C						1	
8		40112151		BT_LINK_STUD						1	
9		40112228		MOTOR_COVER_FITTING_PLATE						1	
10		40142208		AIR CYLINDER						1	
11		D2464555B00		LINK DRIVING MAGNET PIN						1	
12		SM6061002TP		SCREW M6 L=10						2	
13		BT0400251EB		URETHANE HOSE BLACK						.27	
14		PJ046052503		HOSE ELBOW						1	
15		RE0400000K0		E-RING 4						2	
16		SD0800321TH		HINGE SCREW D=8 H=3.2						1	
17		SD0800341SP		HINGE SCREW D=8 H=3.4						3	
18		SL4051091SC		SCREW M5X0.8 L=10						1	
19		SM4050855SP		SCREW						2	
20		SM6050802TP		SCREW M5X0.8 L=8						2	
21		SM6051402TP		SCREW M5X0.8 L=14						1	
22		SM6056552TP		SCREW						3	
23		18035709		WIRE MARK (8)						1	
24		40112288		TB_SWITCH_ASSY						1	
25		23632102		REVERSE FEED SWITCH BASE GUIDE				*		1	
26		40112213		TB_SW_MOUNTING_PLATE				*		1	
27		23631708		REVERSE FEED SWITCH COVER				*		1	
28		23631807		REVERSE FEED SWITCH SHAFT				*		1	
29		23631906		REVERSE FEED SWITCH SUPPORT				*		1	
30		SS7110740TP		SCREW 11/64-40 L=7				*		1	
31		40126129		REVERSE FEED CORD ASM.				*		1	
32		EA9500B0100		CABLE BAND				*		1	

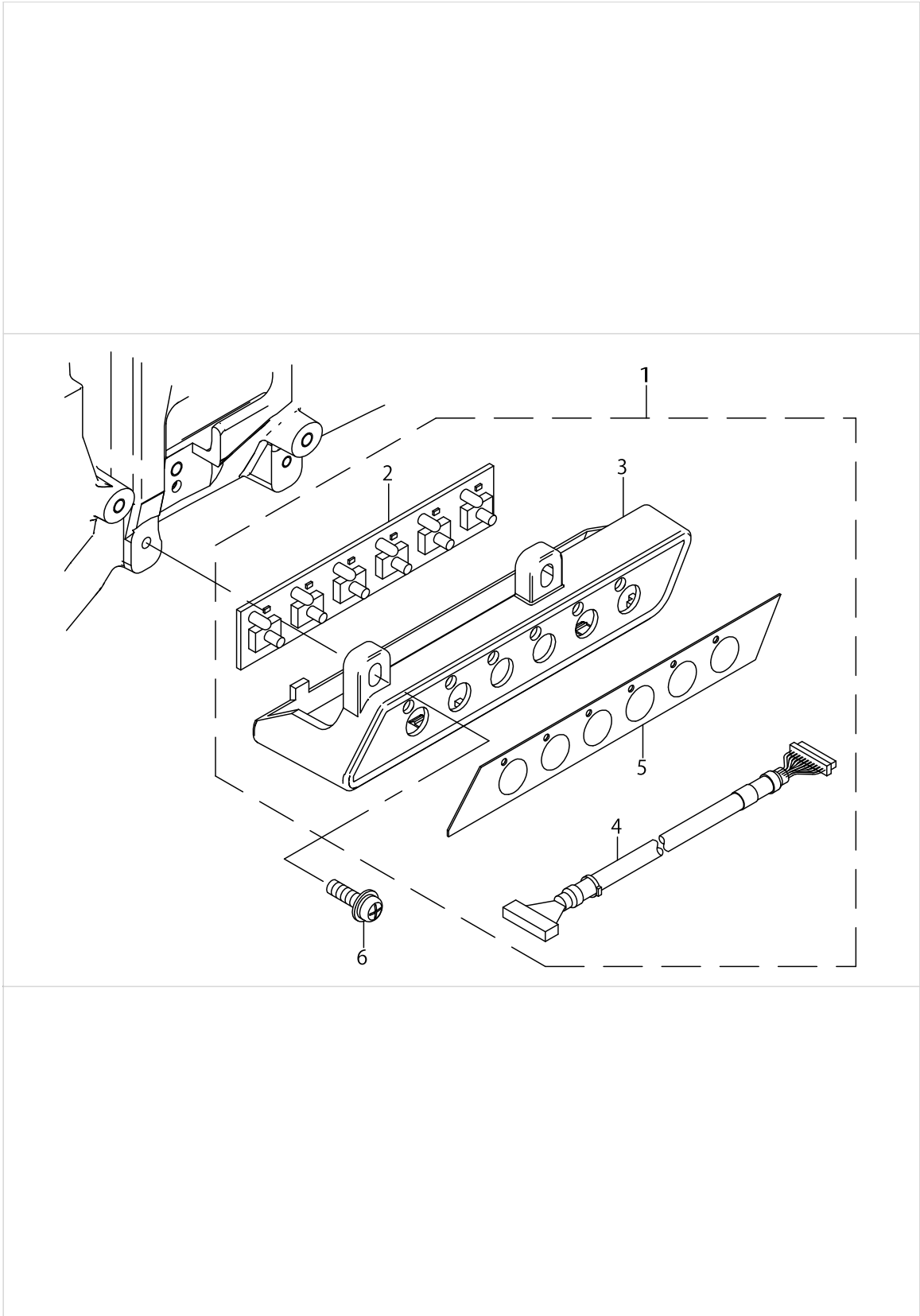
AUTO BT COMPONENTS (FOR LU-2818-7,2868-7)



AUTO BT COMPONENTS (FOR LU-2818-7,2868-7)

No.	Supply Code	Parts No.	Replacement	Parts name	Remarks	Choice	Step	Level	Cons	Qty	Rep. QTY
1		40147946		BT_LINK						1	
2		40147947		BT_CYLINDER_PLATE						1	
3		40147948		BT_PLATE_STUD						1	
4		40052254		CYLINDER KNUCKLE JOINT						1	
5		PA250250900		AIR CYLINDER						1	
6		BT0400251EB		URETHANE TUBE BLACK 4X2.5						.3	
7		PJ046052503		HOSE ELBOW						1	
8		SM4050855SP		SCREW						2	
9		NM6060001CP		NUT M6X1 TYPE1						1	
10		SM6055002TP		SCREW M5 L=50						4	
11		SM6082002TP		SCREW M8 L=20						2	
12		18035907		WIRE MARK (10)						1	
13		40112288		TB_SWITCH_ASSY						1	
14		23632102		REVERSE FEED SWITCH BASE GUIDE				*		1	
15		40112213		TB_SW_MOUNTING_PLATE				*		1	
16		23631708		REVERSE FEED SWITCH COVER				*		1	
17		23631807		REVERSE FEED SWITCH SHAFT				*		1	
18		23631906		REVERSE FEED SWITCH SUPPORT				*		1	
19		SS7110740TP		SCREW 11/64-40 L=7				*		1	
20		40126129		REVERSE FEED CORD ASM				*		1	
21		EA9500B0100		CABLE BAND				*		1	
22		SD0791271SP		HINGE SCREW D=7.94 H=12.7						1	
23		WP0621016SD		WASHER 6.2X13X1						1	
24		SD0800406TP		SHOULDER SCREW D=8 H=4						1	
25		PX050501000		SILENCER						1	
26		NM6060001SC		NUT M6						1	
27		SM6041202TP		SCREW M4X0.7 L=12						1	
28		NS6150430SP		NUT 15/64-28						1	

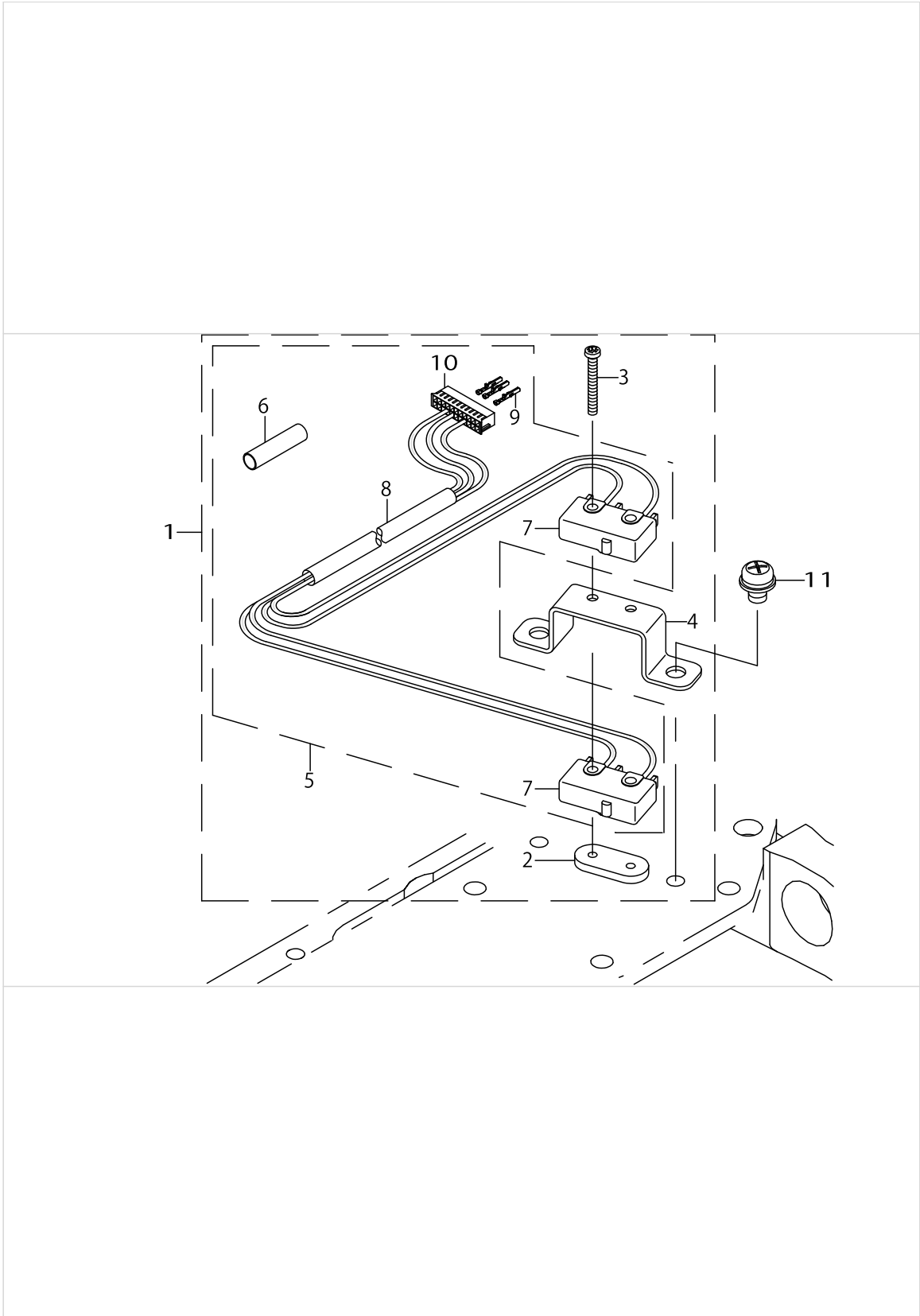
6-RANGE SW COMPONENTS (FOR LU-2810-7,2860-7,2818-7,2868-7,2810-7/X73178)



6-RANGE SW COMPONENTS (FOR LU-2810-7,2860-7,2818-7,2868-7,2810-7/X73178)

No.	Supply Code	Parts No.	Replacement	Parts name	Remarks	Choice	Step	Level	Cons	Qty	Rep. QTY
1		40105508		6RANGE SWITCH ASM.						1	
2		40105510		6RANGE SWITCH PCB ASSY				*		1	
3	R	40112215	40105508	6RANGE_SWITCH_COVER		A	LU2800	*		1	1.00
3	R	40112215	40130287	6RANGE_SWITCH_COVER		B	PLC2700	*		1	1.00
4		40105509		6RANGE SWITCH CABLE ASM.				*		1	
5		40112216		PANEL SHEET				*		1	
6		SL4041491SC		SCREW 4X14				*		2	

SPEED ADJUST COMPONENTS (FOR LU-2810-7,2860-7,2818-7,2868-7,2810-7/X73178)

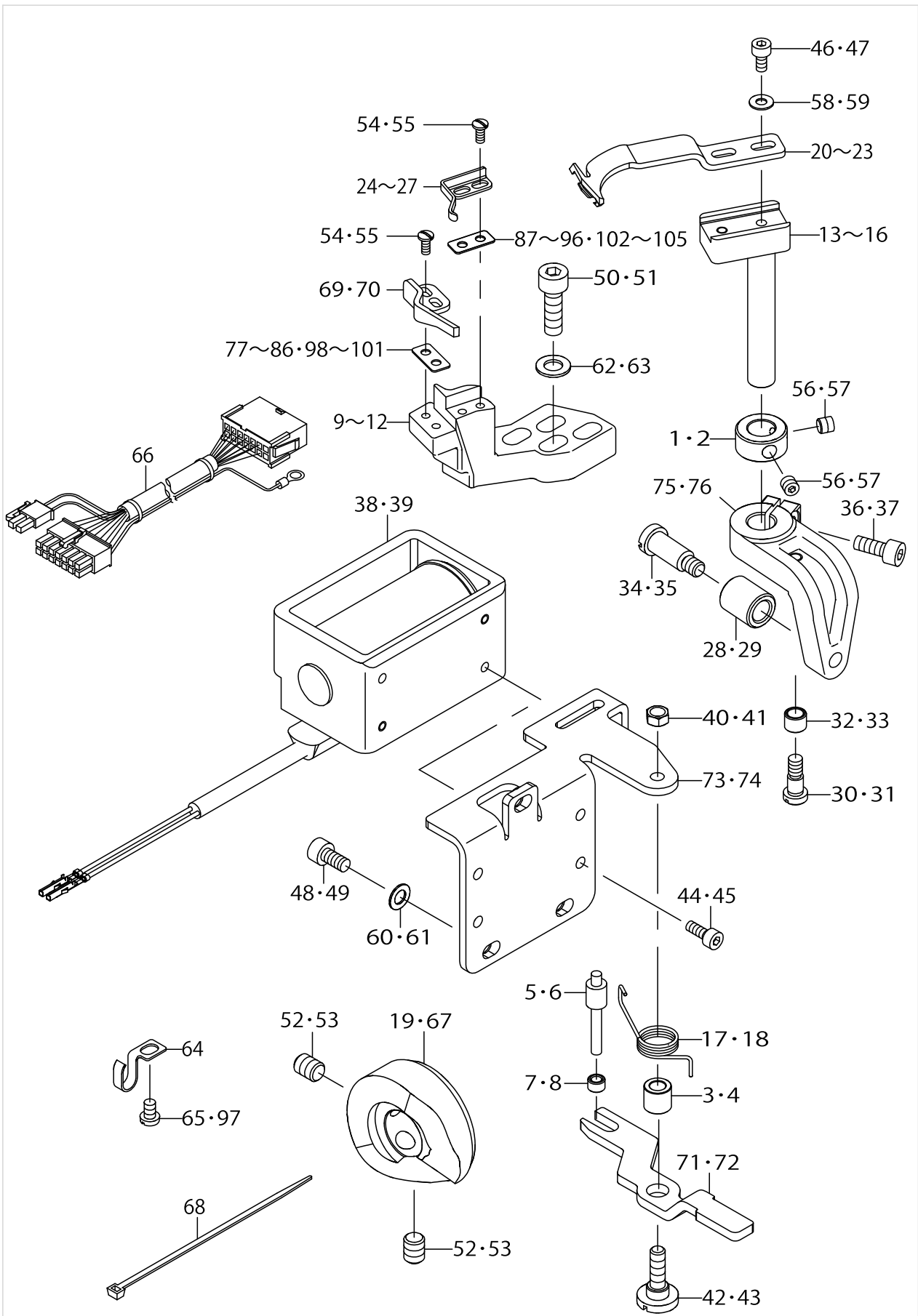


SPEED ADJUST COMPONENTS (FOR LU-2810-7,2860-7,2818-7,2868-7,2810-7/X73178)

No.	Supply Code	Parts No.	Replacement	Parts name	Remarks	Choice	Step	Level	Cons	Qty	Rep. QTY
1		40126260		VERTICAL_DETECT-OR_SWITCH_ASM.						1	
2	R	23638406	23638059	SAFETY SWITCH NUT				*		1	1.00
3	D	SM4021601SN		SCREW M2 L=16				*		2	
4		40126259		SENSOR_BRACKET				*		1	
5	R	40126131	40126260	SPEED CONTROL CORD ASM.				*		1	1.00
6		E8760452D00		TUBE 0.015M				*		0.03	
7		HA004680000		SWITCH				*		2	
8		HW000840040		4-CORE CABTYRE CORD				*		1.37	
9		HK075230000		TERMINAL				*		3	
10		HK063610220		CONNECTOR				*		1	
11		SL4040691SC		SCREW M4 L=6				*		2	



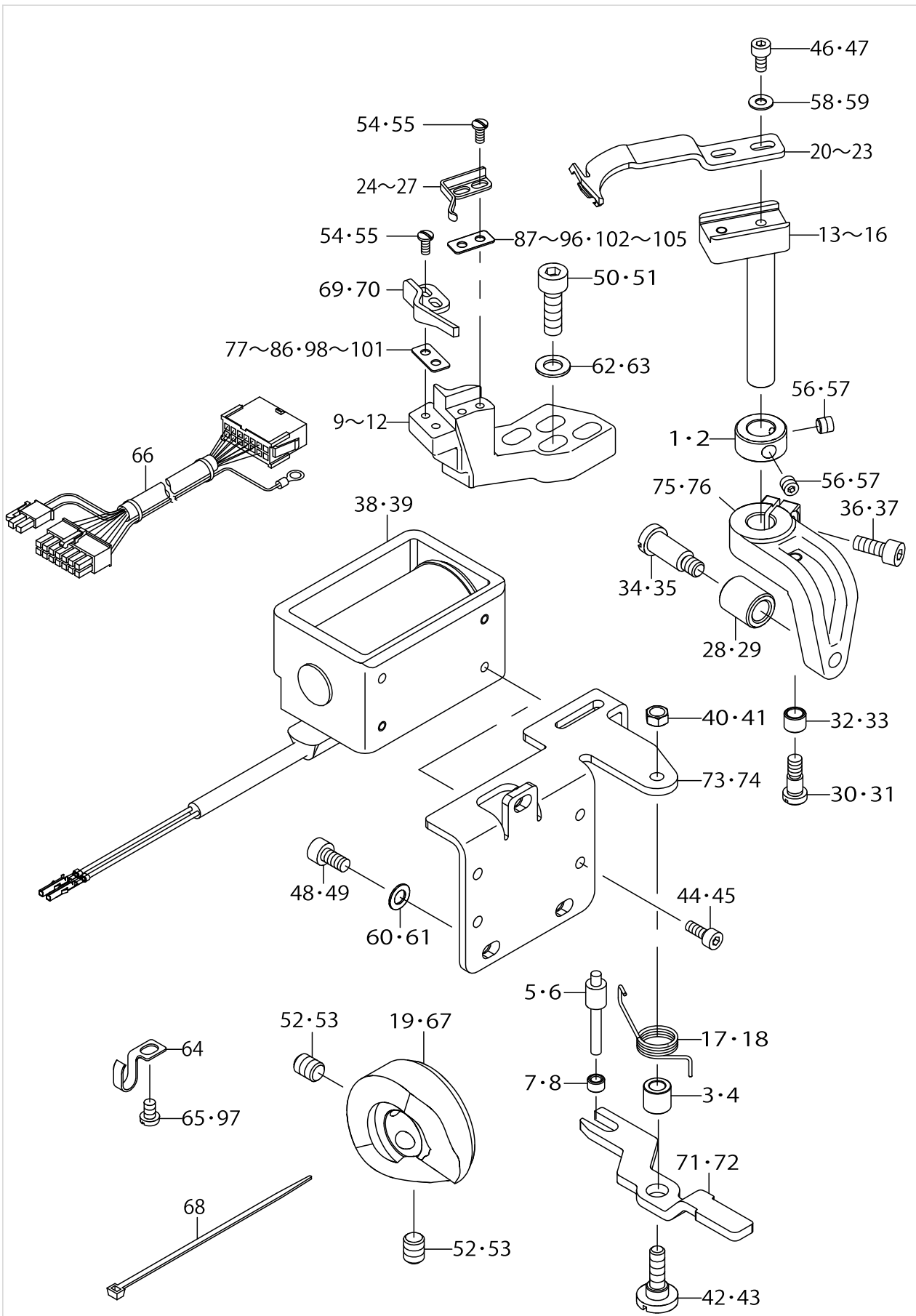
THREAD CUTTING COMPONENTS (FOR LU-2810-7,2860-7,2818-7,2868-7,2810-7/X73178)



THREAD CUTTING COMPONENTS (FOR LU-2810-7,2860-7,2818-7,2868-7,2810-7/X73178)

No.	Supply Code	Parts No.	Replacement	Parts name	Remarks	Choice	Step	Level	Cons	Qty	Rep. QTY
1		22917009		THRUST COLLAR	FOR LU-2-810-7,2818-7, 2810-7/X73178					1	
2		22917009		THRUST COLLAR	FOR LU-2-860-7,2868-7					2	
3		22956205		WIPER HINGE SCREW COLLAR	FOR LU-2-810-7,2818-7, 2810-7/X73178					1	
4		22956205		WIPER HINGE SCREW COLLAR	FOR LU-2-860-7,2868-7					2	
5		22957104		WIPER SOLENOID SHAFT	FOR LU-2-810-7,2818-7, 2810-7/X73178					1	
6		22957104		WIPER SOLENOID SHAFT	FOR LU-2-860-7,2868-7					2	
7		22957203		WIPER LINK COLLAR	FOR LU-2-810-7,2818-7, 2810-7/X73178					1	
8		22957203		WIPER LINK COLLAR	FOR LU-2-860-7,2868-7					2	
9		40125879		FIXED_KNIFE_BASE	FOR LU-2810-7					1	
10		40125879		FIXED_KNIFE_BASE	FOR LU-2860-7					2	
11		40147942		FIXED_KNIFE_BASE_XXL	FOR LU-2-818-7,2810-7/X73178					1	
12		40147942		FIXED_KNIFE_BASE_XXL	FOR LU-2868-7					2	
13		40112230		MOVING_KNIFE_SHAFT	FOR LU-2810-7					1	
14		40112230		MOVING_KNIFE_SHAFT	FOR LU-2860-7					2	
15		40147941		MOVING_KNIFE_SHAFT_XXL	FOR LU-2-818-7,2810-7/X73178					1	
16		40147941		MOVING_KNIFE_SHAFT_XXL	FOR LU-2868-7					2	
17		40112235		DRIVING_ARM_RETURN_SPRING	FOR LU-2-810-7,2818-7, 2810-7/X73178					1	
18		40112235		DRIVING_ARM_RETURN_SPRING	FOR LU-2-860-7,2868-7					2	
19		40112278		THREAD_TRIMMER_CAM_R						1	
20		40132434		MOVING_KNIFE	FOR LU-2810-7				☆	1	
21		40132434		MOVING KNIFE	FOR LU-2860-7				☆	2	
22		40147940		MOVING_KNIFE_XXL	FOR LU-2-818-7,2810-7/X73178				☆	1	
23		40147940		MOVING_KNIFE_XXL	FOR LU-2868-7				☆	2	
24		21389408		CLAMP SPRING	FOR LU-2810-7				☆	1	
25		21389408		CLAMP SPRING	FOR LU-2860-7				☆	2	
26		40147943		CLAMP_SPRING_XXL	FOR LU-2-818-7,2810-7/X73178				☆	1	
27		40147943		CLAMP_SPRING_XXL	FOR LU-2868-7				☆	2	
28		40112232		THREAD_TRIMMER_CAM_ROLLER	FOR LU-2-810-7,2818-7, 2810-7/X73178					1	
29		40112232		THREAD_TRIMMER_CAM_ROLLER	FOR LU-2-860-7,2868-7					2	
30		SD0460576TP		SHOULDER SCREW D=4.6 H=5.7	FOR LU-2-810-7,2818-7, 2810-7/X73178					1	
31		SD0460576TP		SHOULDER SCREW D=4.6 H=5.7	FOR LU-2-860-7,2868-7					2	
32		B2508047000		BLOCK ROLLER	FOR LU-2-810-7,2818-7, 2810-7/X73178					1	

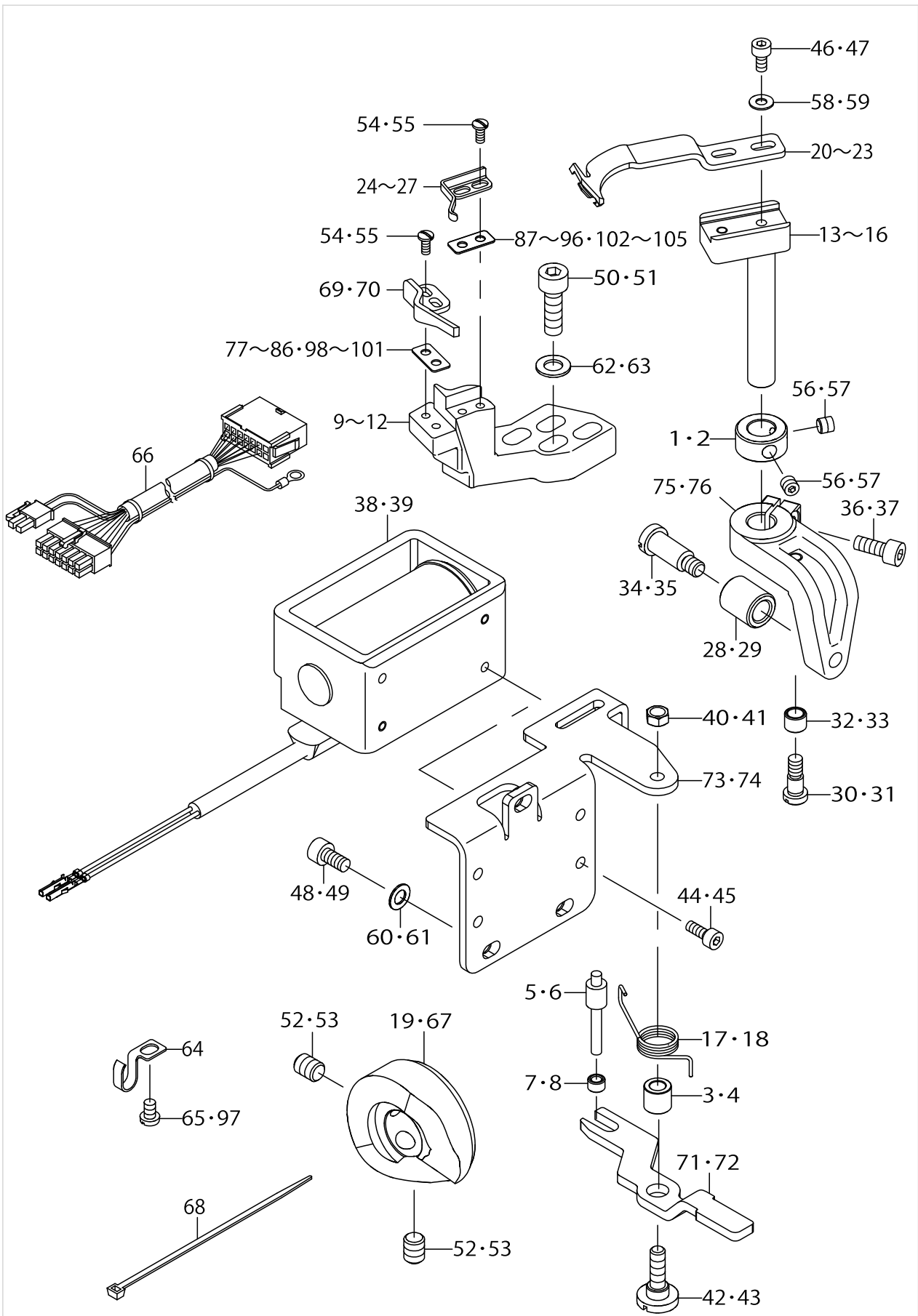
THREAD CUTTING COMPONENTS (FOR LU-2810-7,2860-7,2818-7,2868-7,2810-7/X73178)



THREAD CUTTING COMPONENTS (FOR LU-2810-7,2860-7,2818-7,2868-7,2810-7/X73178)

No.	Supply Code	Parts No.	Replacement	Parts name	Remarks	Choice	Step	Level	Cons	Qty	Rep. QTY
33		B2508047000		BLOCK ROLLER	FOR LU-2-860-7,2868-7					2	
34		SD0651301TH		HINGE SCREW D=6.5 H=13	FOR LU-2-810-7,2818-7, 2810-7/X73178					1	
35		SD0651301TH		HINGE SCREW D=6.5 H=13	FOR LU-2-860-7,2868-7					2	
36		SM6041002TP		SCREW M4 L=10	FOR LU-2-810-7,2818-7, 2810-7/X73178					1	
37		SM6041002TP		SCREW M4 L=10	FOR LU-2-860-7,2868-7					2	
38	R	40112251	40137921	THREAD_TRIMMER_SOLENOID	FOR LU-2-810-7,2818-7, 2810-7/X73178					1	1.00
39		40137921		THREAD_TRIMMER_SOLENOID	FOR LU-2-860-7,2868-7					2	
40		NS6110310SP		NUT 11/64-40	FOR LU-2-810-7,2818-7, 2810-7/X73178					1	
41		NS6110310SP		NUT 11/64-40	FOR LU-2-860-7,2868-7					2	
42		SD0650321TP		HINGE SCREW D=6.5 H=3.2	FOR LU-2-810-7,2818-7, 2810-7/X73178					1	
43		SD0650321TP		HINGE SCREW D=6.5 H=3.2	FOR LU-2-860-7,2868-7					2	
44		SM6030602TP		SCREW M3X0.5 L=6	FOR LU-2-810-7,2818-7, 2810-7/X73178					4	
45		SM6030602TP		SCREW M3X0.5 L=6	FOR LU-2-860-7,2868-7					8	
46		SM6030602TP		SCREW M3X0.5 L=6	FOR LU-2-810-7,2818-7, 2810-7/X73178					2	
47		SM6030602TP		SCREW M3X0.5 L=6	FOR LU-2-860-7,2868-7					4	
48		SM6040802TP		SCREW M4X0.7 L=8	FOR LU-2-810-7,2818-7, 2810-7/X73178					3	
49		SM6040802TP		SCREW M4X0.7 L=8	FOR LU-2-860-7,2868-7					6	
50		SM6051602TP		SCREW M5X0.8 L=16	FOR LU-2-810-7,2818-7, 2810-7/X73178					2	
51		SM6051602TP		SCREW M5X0.8 L=16	FOR LU-2-860-7,2868-7					4	
52		SM8060812TP		SCREW M6 L=8	FOR LU-2-810-7,2818-7, 2810-7/X73178					2	
53		SM8060812TP		SCREW M6 L=8	FOR LU-2-860-7,2868-7					4	
54		SS7060610SP		SCREW 3/32-56 L=5.5	FOR LU-2-810-7,2818-7, 2810-7/X73178				☆	4	
55		SS7060610SP		SCREW 3/32-56 L=5.5	FOR LU-2-860-7,2868-7				☆	8	
56		SS8110422TP		SCREW 11/64-40 L=4	FOR LU-2-810-7,2818-7, 2810-7/X73178					2	
57		SS8110422TP		SCREW 11/64-40 L=4	FOR LU-2-860-7,2868-7					4	
58		WP0320501SC		WASHER M3	FOR LU-2-810-7,2818-7, 2810-7/X73178					2	
59		WP0320501SC		WASHER M3	FOR LU-2-860-7,2868-7					4	
60		WP0450000SD		WASHER 4.5X8X0.5	FOR LU-2-810-7,2818-7, 2810-7/X73178					3	

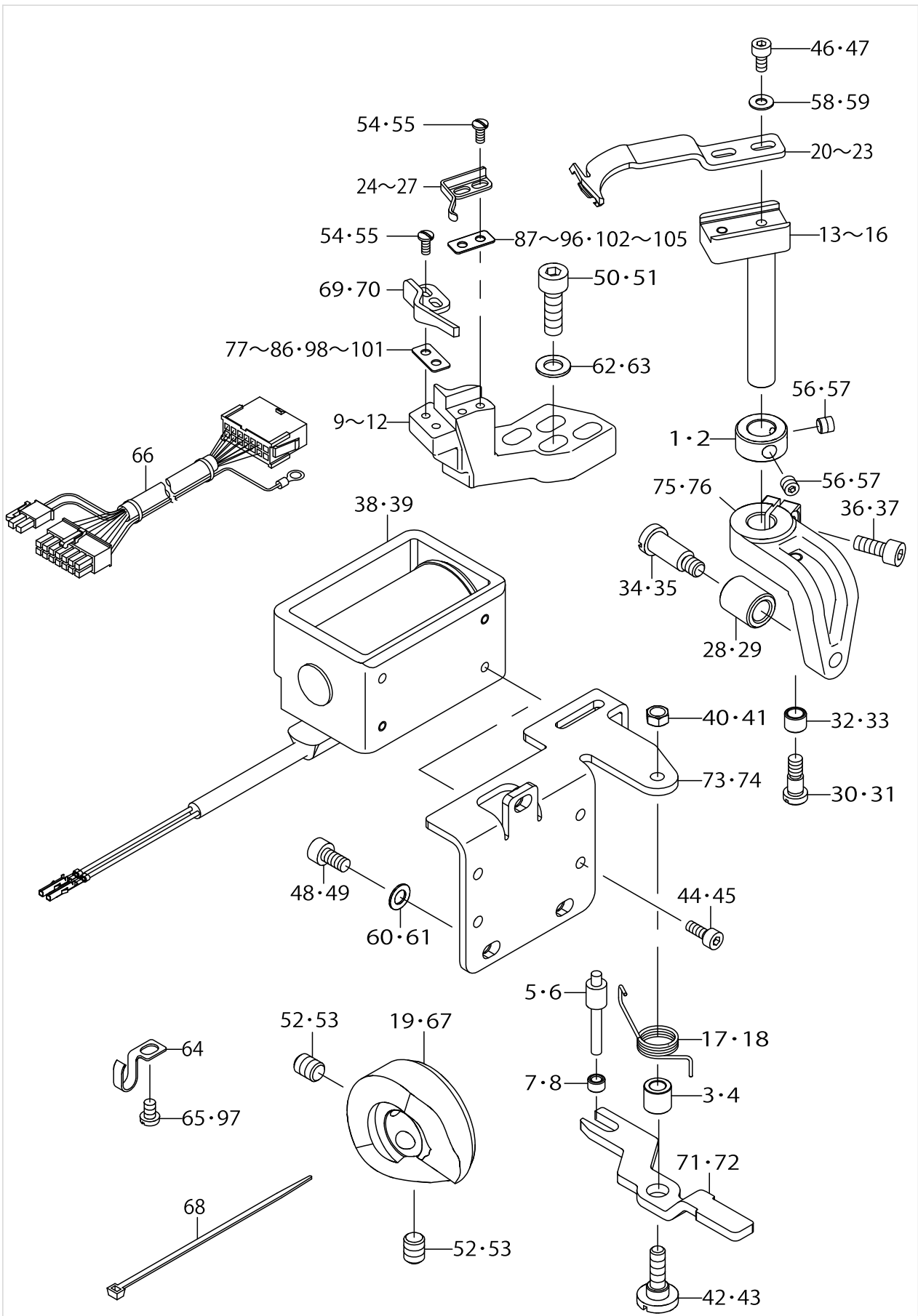
THREAD CUTTING COMPONENTS (FOR LU-2810-7,2860-7,2818-7,2868-7,2810-7/X73178)



THREAD CUTTING COMPONENTS (FOR LU-2810-7,2860-7,2818-7,2868-7,2810-7/X73178)

No.	Supply Code	Parts No.	Replacement	Parts name	Remarks	Choice	Step	Level	Cons	Qty	Rep. QTY
61		WP045000SD		WASHER 4.5X8X0.5	FOR LU-2-860-7,2868-7					6	
62		WP0550800SP		WASHER 5.5X10X0.8	FOR LU-2-810-7,2818-7, 2810-7/X73178					2	
63		WP0550800SP		WASHER 5.5X10X0.8	FOR LU-2-860-7,2868-7					4	
64		26231902		OIL WICK PIPE STOPPER						1	
65		SM4040655SP		SCREW M4 L=6	FOR LU-2-810-7,2860-7					1	
66		40126130		SOLENOID RELAY CABLE ASM.						1	
67		40126546		THREAD_TRIMMER_CAM_LEFT	FOR LU-2-860-7,2868-7					1	
68		EA9500B0100		CABLE BAND						1	
69		21389309		FIXED KNIFE	FOR LU-2-810-7,2818-7, 2810-7/X73178				☆	1	
70		21389309		FIXED KNIFE	FOR LU-2-860-7,2868-7				☆	2	
71		40112234		KNIFE_DRIVING_ARM_LINK	FOR LU-2-810-7,2818-7, 2810-7/X73178					1	
72		40112234		KNIFE_DRIVING_ARM_LINK	FOR LU-2-860-7,2868-7					2	
73		40112233		THREAD_TRIMMER_SOL_BASE_PLATE	FOR LU-2-810-7,2818-7, 2810-7/X73178					1	
74		40112233		THREAD_TRIMMER_SOL_BASE_PLATE	FOR LU-2-860-7,2868-7					2	
75		40123248		MOVING_KNIFE_DRIVING_ARM	FOR LU-2-810-7,2818-7, 2810-7/X73178					1	
76		40123248		MOVING_KNIFE_DRIVING_ARM	FOR LU-2-860-7,2868-7					2	
77		40155295		F_KNIFE_SPACER_T=0.2	FOR LU-2-818-7,2810-7/X73178					1	
78		40155296		F_KNIFE_SPACER_T=0.4	FOR LU-2-818-7,2810-7/X73178					1	
79		40155297		F_KNIFE_SPACER_T=0.6	FOR LU-2-818-7,2810-7/X73178					1	
80		40155298		F_KNIFE_SPACER_T=0.8	FOR LU-2-818-7,2810-7/X73178					1	
81		40155299		F_KNIFE_SPACER_T=1.0	FOR LU-2-818-7,2810-7/X73178					1	
82		40155295		F_KNIFE_SPACER_T=0.2	FOR LU-2868-7					2	
83		40155296		F_KNIFE_SPACER_T=0.4	FOR LU-2868-7					2	
84		40155297		F_KNIFE_SPACER_T=0.6	FOR LU-2868-7					2	
85		40155298		F_KNIFE_SPACER_T=0.8	FOR LU-2868-7					2	
86		40155299		F_KNIFE_SPACER_T=1.0	FOR LU-2868-7					2	
87		40155301		CLAMP_SPRING_SPACER_T=0.2	FOR LU-2-818-7,2810-7/X73178					1	
88		40155302		CLAMP_SPRING_SPACER_T=0.4	FOR LU-2-818-7,2810-7/X73178					1	
89		40155303		CLAMP_SPRING_SPACER_T=0.6	FOR LU-2-818-7,2810-7/X73178					1	
90		40155304		CLAMP_SPRING_SPACER_T=0.8	FOR LU-2-818-7,2810-7/X73178					1	

THREAD CUTTING COMPONENTS (FOR LU-2810-7,2860-7,2818-7,2868-7,2810-7/X73178)

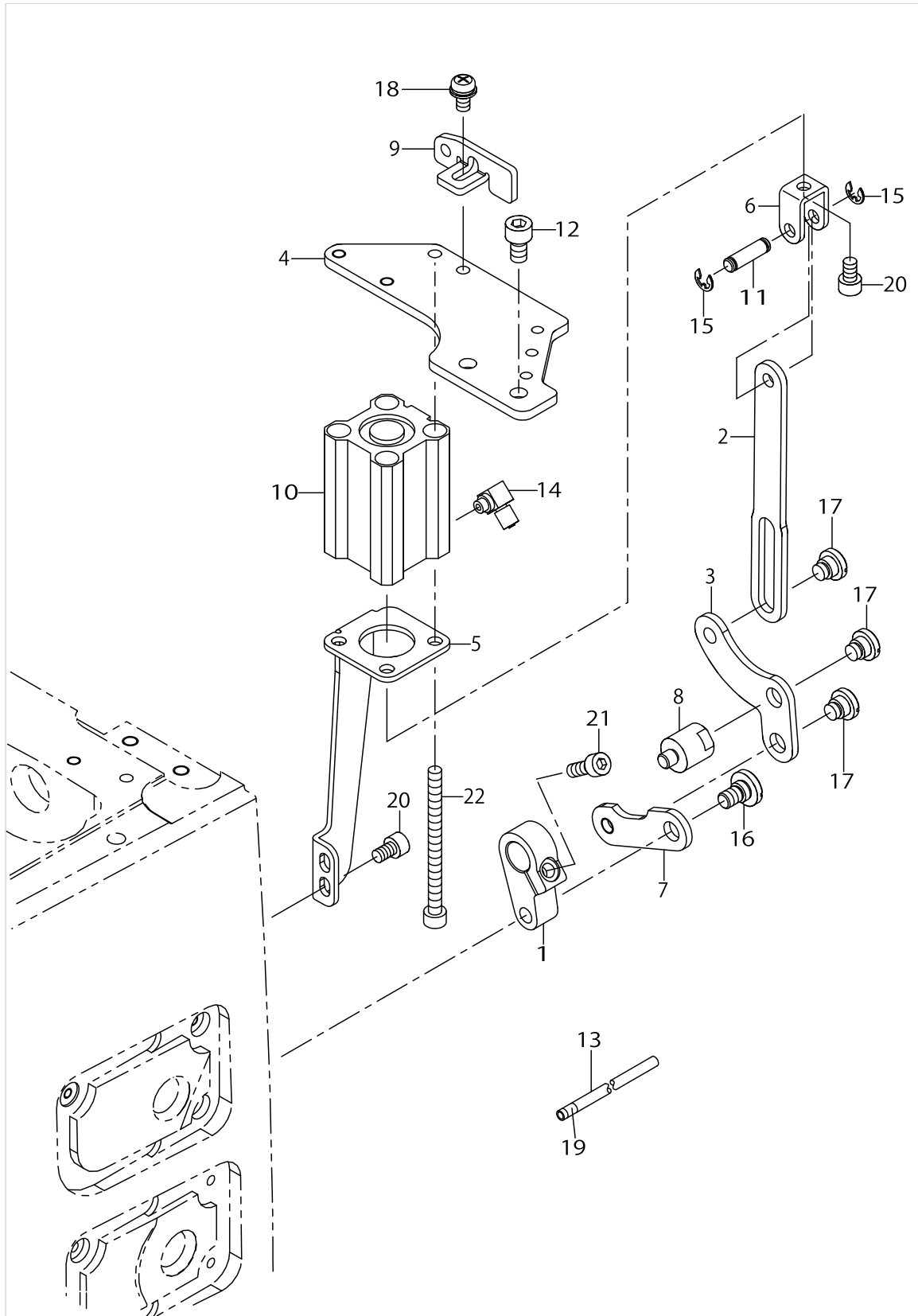


THREAD CUTTING COMPONENTS (FOR LU-2810-7,2860-7,2818-7,2868-7,2810-7/X73178)

No.	Supply Code	Parts No.	Replacement	Parts name	Remarks	Choice	Step	Level	Cons	Qty	Rep. QTY
91		40155305		CLAMP_SPRING_SPACER_T=1.0	FOR LU-2-818-7,2810-7/X73178					1	
92		40155301		CLAMP_SPRING_SPACER_T=0.2	FOR LU-2868-7					2	
93		40155302		CLAMP_SPRING_SPACER_T=0.4	FOR LU-2868-7					2	
94		40155303		CLAMP_SPRING_SPACER_T=0.6	FOR LU-2868-7					2	
95		40155304		CLAMP_SPRING_SPACER_T=0.8	FOR LU-2868-7					2	
96		40155305		CLAMP_SPRING_SPACER_T=1.0	FOR LU-2868-7					2	
97		SM4040855SP		SCREW	FOR LU-2-818-7,2868-7 2810-7/X73178					1	
98		40157628		F_KNIFE_SPACER	FOR LU-2-818-7,2810-7/X73178					1	
99		40157629		F_KNIFE_SPACER	FOR LU-2-818-7,2810-7/X73178					1	
100		40157628		F_KNIFE_SPACER	FOR LU-2868-7					2	
101		40157629		F_KNIFE_SPACER	FOR LU-2868-7					2	
102		40157625		CLAMP_SPRING_SPACER	FOR LU-2-818-7,2810-7/X73178					1	
103		40157626		CLAMP_SPRING_SPACER	FOR LU-2-818-7,2810-7/X73178					1	
104		40157625		CLAMP_SPRING_SPACER	FOR LU-2868-7					2	
105		40157626		CLAMP_SPRING_SPACER	FOR LU-2868-7					2	



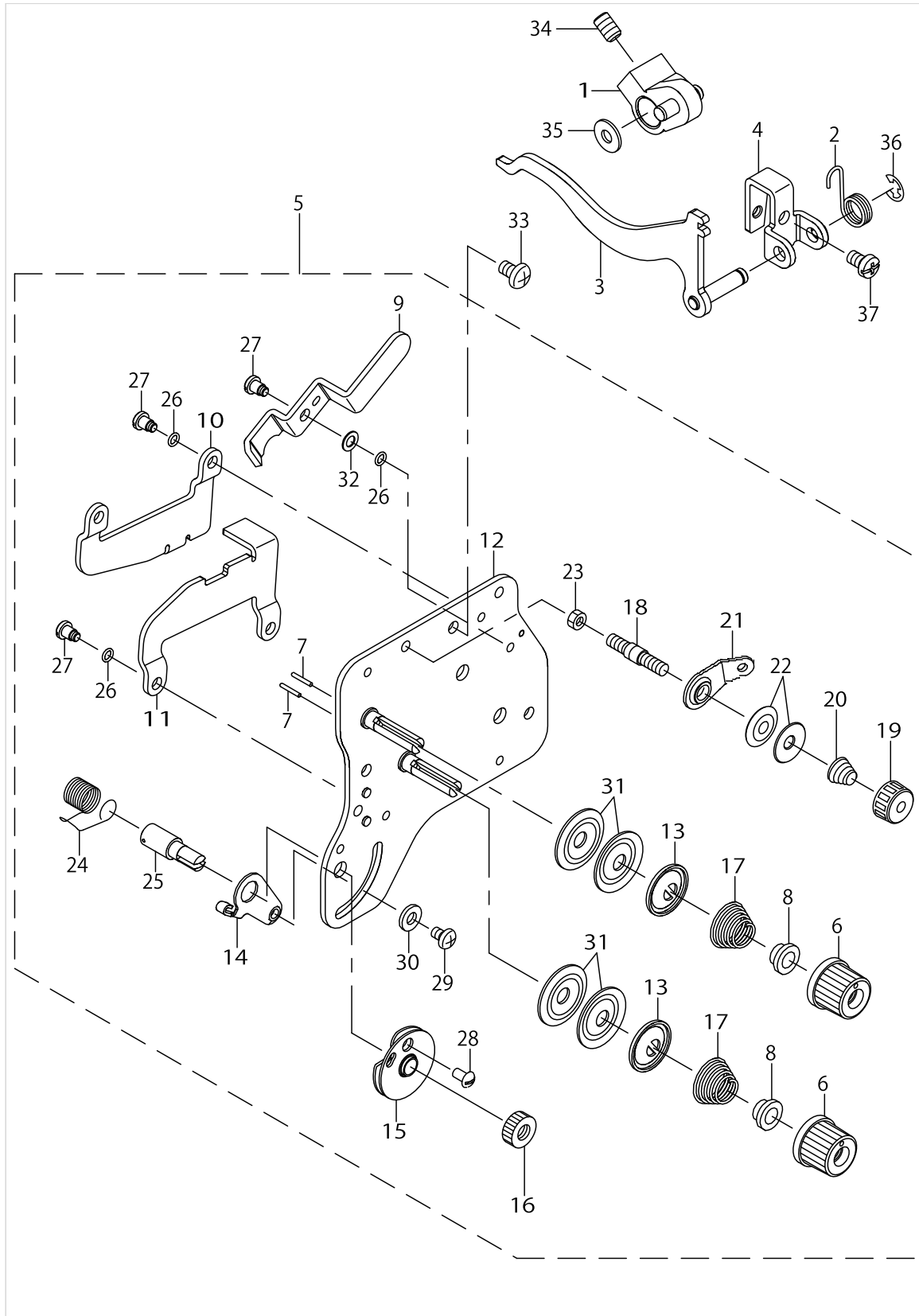
CONDENSE COMPONENTS (FOR LU-2818-7,2868-7)



CONDENSE COMPONENTS (FOR LU-2818-7,2868-7)

No.	Supply Code	Parts No.	Replacement	Parts name	Remarks	Choice	Step	Level	Cons	Qty	Rep. QTY
1		40133612		CONDENSE ARM						1	
2		40112137		LINK_A						1	
3		40112138		LINK_B						1	
4		40125872		CYLINDER_BRACKET						1	
5		40112140		CYLINDER_STAY						1	
6		40112149		CYLINDER_KNUCKLE						1	
7		40133655		LINK D						1	
8		40112151		BT_LINK_STUD						1	
9		40112228		MOTOR_COVER_FITTING_PLATE						1	
10		40142208		AIR CYLINDER						1	
11		D2464555B00		LINK DRIVING MAGNET PIN						1	
12		SM6061002TP		SCREW M6 L=10						2	
13		BT0400251EB		URETHANE HOSE BLACK						.27	
14		PJ046052503		HOSE ELBOW						1	
15		RE0400000K0		E-RING 4						2	
16		SD0800321TH		HINGE SCREW D=8 H=3.2						1	
17		SD0800341SP		HINGE SCREW D=8 H=3.4						3	
18		SL4051091SC		SCREW M5X0.8 L=10						1	
19		18035709		WIRE MARK (8)						1	
20		SM6050802TP		SCREW M5X0.8 L=8						3	
21		SM6051402TP		SCREW M5X0.8 L=14						1	
22		SM6056552TP		SCREW						3	

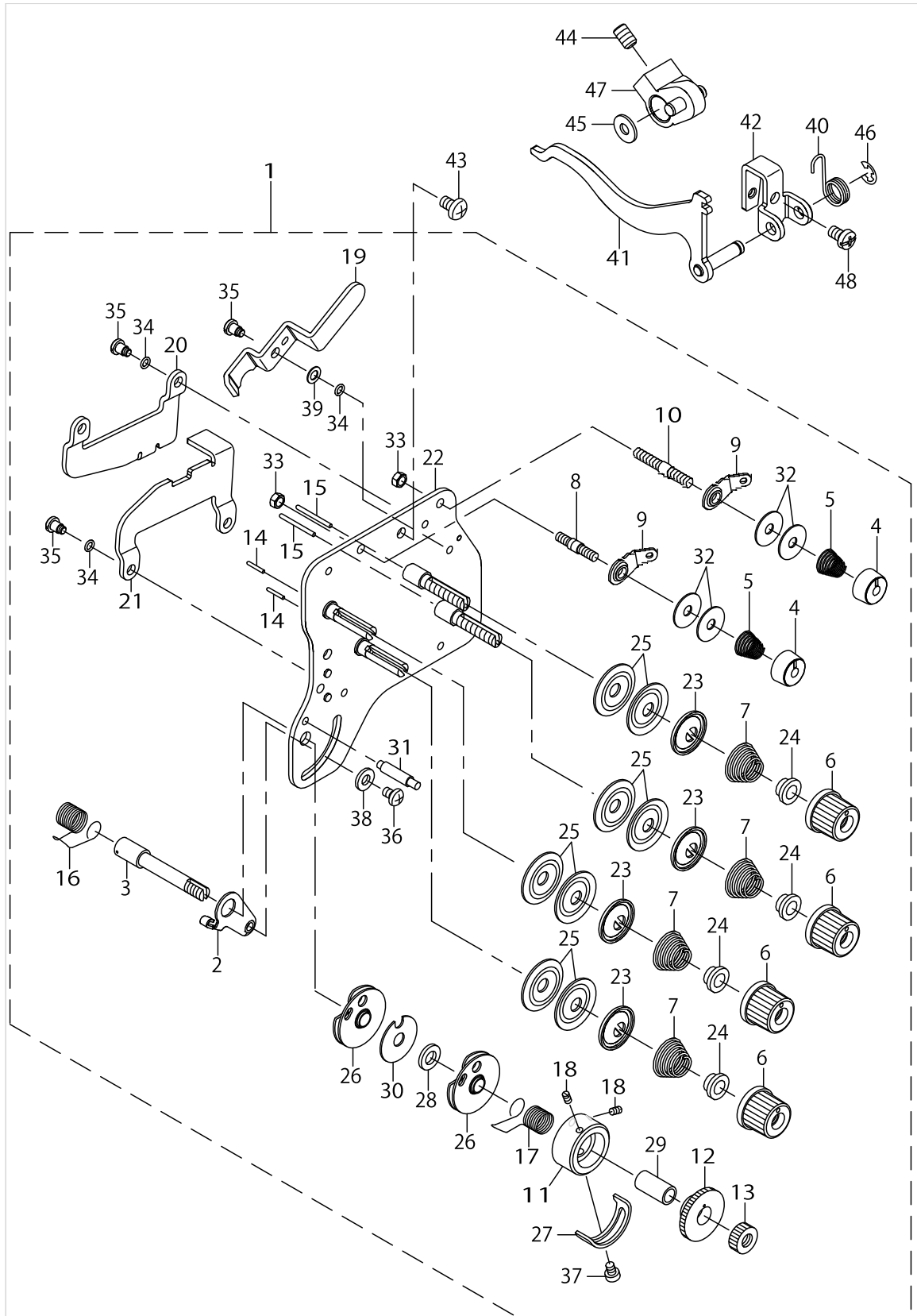
THREAD TENSION COMPONENTS (FOR LU-2810,2810-7,2818-7,2810-7/X73178)



THREAD TENSION COMPONENTS (FOR LU-2810,2810-7,2818-7,2810-7/X73178)

No.	Supply Code	Parts No.	Replacement	Parts name	Remarks	Choice	Step	Level	Cons	Qty	Rep. QTY
1		22912257		FEED REVERSE ARM ASM.						1	
2		22954309		REVERSE FEED SWITCH SPRING						1	
3		40126265		DISK_RELEASE_LINK_ASM.						1	
4		40125873		DISK_RELEASE_LINK_BASE						1	
5	R	40126373	40155956	THREAD_TENSION_ASM_2810						1	1.00
6		13817408		THREAD TENSION NUT				*	☆	2	
7		22618201		TENSION RELEASE PIN A				*		2	
8		B3112704000		TENSION SPRING BUSHING				*		2	
9		40112204		TENSION_RELEASE_LEVER				*		1	
10		40112218		DISK_RELEASE_PLATE_A				*		1	
11		40112219		DISK_RELEASE_PLATE_B				*		1	
12		40126404		ASSY_TENSION_BASE_PLATE_2810				*		1	
13		40126724		TENSION_DISC HOLDER				*		2	
14		10697506		THREAD TENSION BRACKET A				*		1	
15		B31375270A0		TAKE-UP SPRING GUIDE ASM.				*		1	
16	R	22617807	22928808	NUT				*		1	1.00
17		12938304		TENSION SPRING				*	☆	2	
18		22528806		PRE_TENSION_POST				*		1	
19		22945703		THREAD TENSION NUT				*		1	
20	R	22963409	22963458	THREAD TENSION SPRING				*	☆	1	1.00
21	R	22529408	22529481	BOBBIN THREAD GUIDE		A	LZ2290A, AC172N, LBH1790A	*		1	1.00
21	R	22529408	40052366	BOBBIN THREAD GUIDE		B	LH3528S/3- 528A/3568S/3578S	*		1	1.00
21	R	22529408	40022427	BOBBIN THREAD GUIDE		C	LH-4128	*		1	1.00
21	R	22529408	40176348	BOBBIN THREAD GUIDE				*		1	1.00
21	R	22529408	40176347	BOBBIN THREAD GUIDE				*		1	1.00
21	R	22529408	40177393	BOBBIN THREAD GUIDE				*		1	1.00
22		22945802		THREAD TENSION DISK				*		1	
23		NS6110310SP		NUT 11/64-40				*		1	
24		22618706		THREAD TAKE-UP SPRING A				*	☆	1	
25		10320109		SCREW STUD				*		1	
26		RO037180100		RUBBER RING				*		5	
27		SD0450401SP		HINGE SCREW D=4.5 H=4				*		5	
28		SS3090710TP		SCREW 9/64-40 L=7				*		1	
29		SS4110615SP		SCREW 11/64-40 L=6				*		1	
30		WP0501016SD		WASHER 5X10.5X1				*		1	
31		22921506		THREAD TENSION DISK				*		4	
32		WP0460556SD		WASHER 4.6X7.5X0.5				*		1	
33		SM4051001SN		SCREW M5						3	
34		SS8661012TP		SCREW						1	
35		22528509		FELT						1	
36		RE0500000K0		E-RING						1	
37		SM4050855SP		SCREW						1	

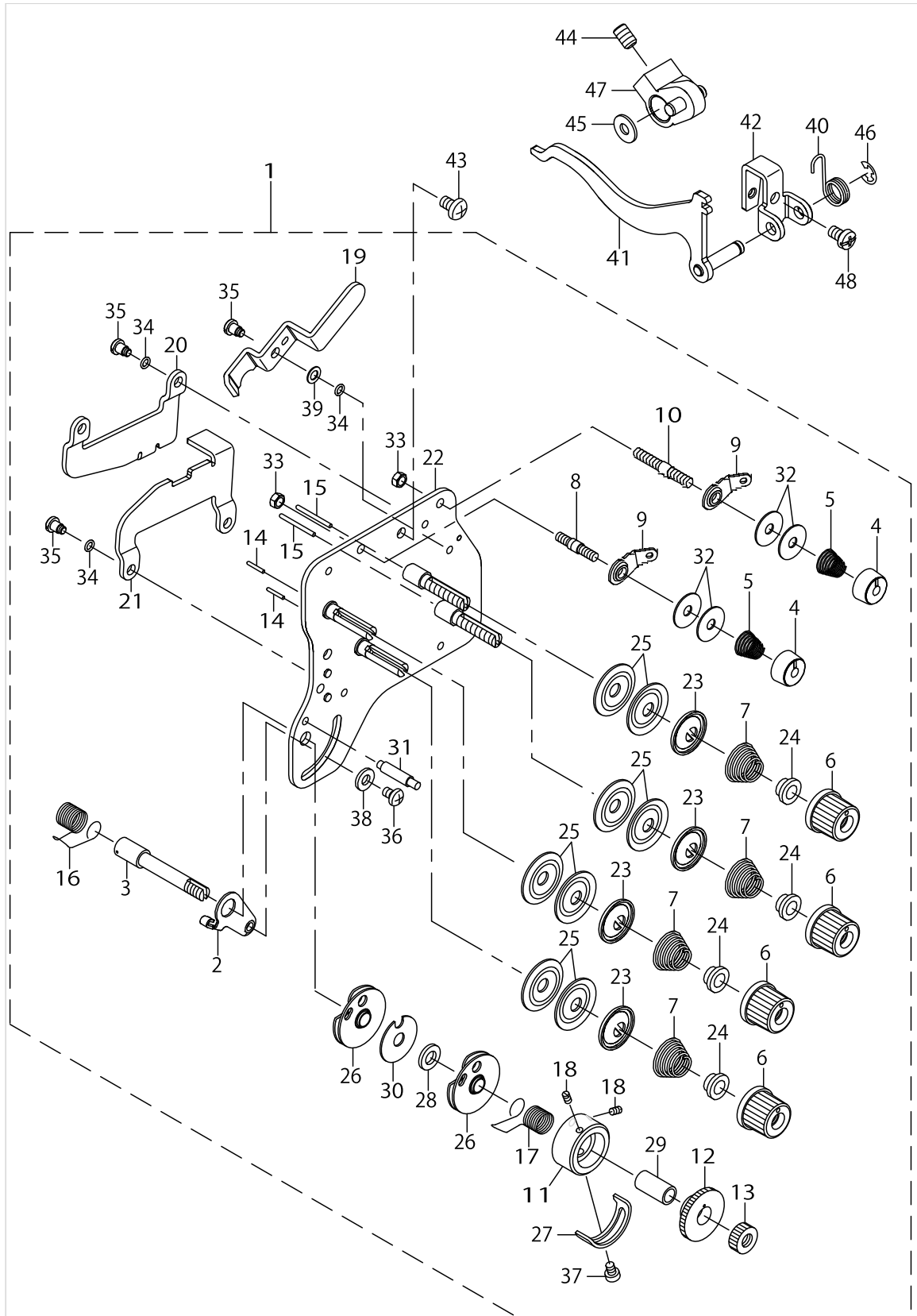
THREAD TENSION COMPONENTS (FOR LU-2860,2860-7,2868-7)



THREAD TENSION COMPONENTS (FOR LU-2860,2860-7,2868-7)

No.	Supply Code	Parts No.	Replacement	Parts name	Remarks	Choice	Step	Level	Cons	Qty	Rep. QTY
1		40126556		THREAD_TENSION_ASM_2860						1	
2		10697506		THREAD TENSION BRACKET A				*		1	
3		10697605		THREAD TAKE-UP SPRING STUD				*		1	
4		11072402		THREAD TENSION NUT				*		2	
5		11093606		THREAD TENSION SPRING				*	☆	2	
6		13817408		THREAD TENSION NUT				*	☆	4	
7		12938304		TENSION SPRING				*	☆	4	
8		22528806		THREAD TENSION POST				*		1	
9	R	22529408	22529481	BOBBIN THREAD GUIDE		A	LZ2290A, AC172N, LBH1790A	*		2	1.00
9	R	22529408	40052366	BOBBIN THREAD GUIDE		B	LH3528S/3- 528A/3568S/3578S	*		2	1.00
9	R	22529408	40022427	BOBBIN THREAD GUIDE		C	LH-4128	*		2	1.00
9	R	22529408	40176348	BOBBIN THREAD GUIDE				*		2	1.00
9	R	22529408	40176347	BOBBIN THREAD GUIDE				*		2	1.00
9	R	22529408	40177393	BOBBIN THREAD GUIDE				*		2	1.00
10	R	22529515	22529473	BOBBIN THREAD TENSION ROD				*		1	1.00
11		22617609		THREAD TENSION POST				*		1	
12		22617708		TAKE-UP SPRING GUIDE				*		1	
13	R	22617807	22928808	NUT				*		1	1.00
14		22618201		TENSION RELEASE PIN A				*		2	
15		22618300		TENSION RELEASE PIN B				*		2	
16		22618706		THREAD TAKE-UP SPRING A				*	☆	1	
17		22618805		THREAD TAKE-UP SPRING B				*	☆	1	
18	R	22618904	SM8030500SP	SET SCREW				*		2	1.00
19		40112204		TENSION_RELEASE_LEVER				*		1	
20		40112218		DISK_RELEASE_PLATE_A				*		1	
21		40112219		DISK_RELEASE_PLATE_B				*		1	
22		40126557		ASSY_TENSION_BASE_PLATE_2860				*		1	
23		40126724		TENSION_DISC HOLDER				*		4	
24		B3112704000		TENSION SPRING BUSHING				*		4	
25		22921506		THREAD TENSION DISK				*		8	
26		B31375270A0		TAKE-UP SPRING GUIDE ASM.				*		2	
27		B3138527000		ADJUSTING PLATE B				*		1	
28		B3139527000		COLLAR				*		1	
29		B3141527000		PRESSER COLLAR				*		1	
30		B3142527000		TAKE-UP SPRING GUIDE PLATE				*		1	
31		B3143527000		TAKE-UP SPRING GUIDE STUD				*		1	
32	R	B3214047000	22945802	BOBBIN WINDER TENSION DISC				*		4	1.00
33		NS6110310SP		NUT 11/64-40				*		2	
34		RO037180100		RUBBER RING				*		5	
35		SD0450401SP		HINGE SCREW D=4.5 H=4				*		5	
36		SS4110615SP		SCREW 11/64-40 L=6				*		1	
37		SS7090510SP		SCREW 9/64-40 L=4.6				*		1	
38		WP0501016SD		WASHER 5X10.5X1				*		1	
39		WP0460556SD		WASHER 4.6X7.5X0.5				*		1	
40		22954309		REVERSE FEED SWITCH SPRING				*		1	

THREAD TENSION COMPONENTS (FOR LU-2860,2860-7,2868-7)

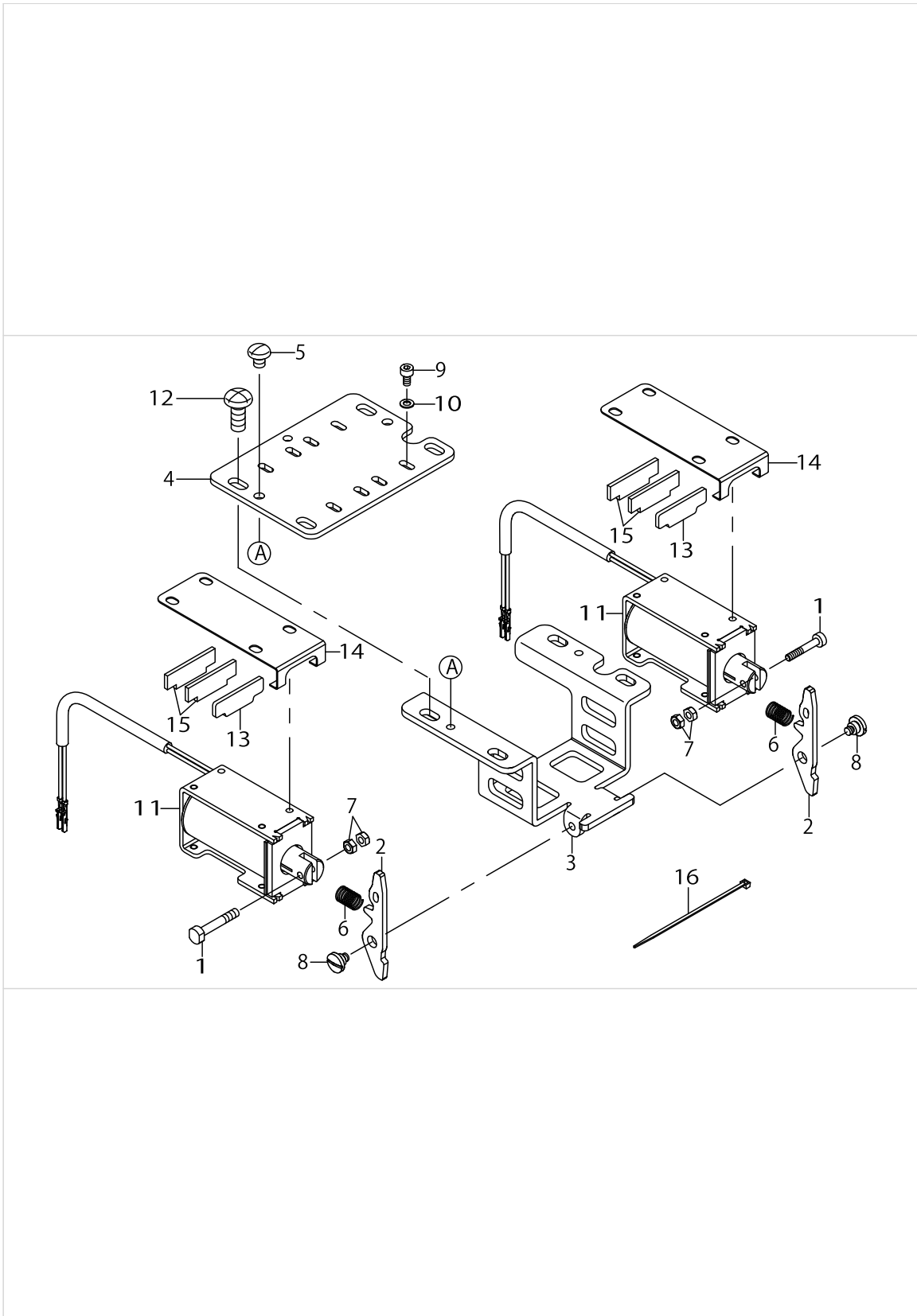


THREAD TENSION COMPONENTS (FOR LU-2860,2860-7,2868-7)

No.	Supply Code	Parts No.	Replacement	Parts name	Remarks	Choice	Step	Level	Cons	Qty	Rep. QTY
41		40126265		DISK_RELEASE_LINK_ASM.						1	
42		40125873		DISK_RELEASE_LINK_BASE						1	
43		SM4051001SN		SCREW M5						3	
44		SS8661012TP		SCREW						1	
45		22528509		FELT						1	
46		RE0500000K0		E-RING						1	
47		22912257		FEED REVERSE ARM ASM.						1	
48		SM4050855SP		SCREW						1	



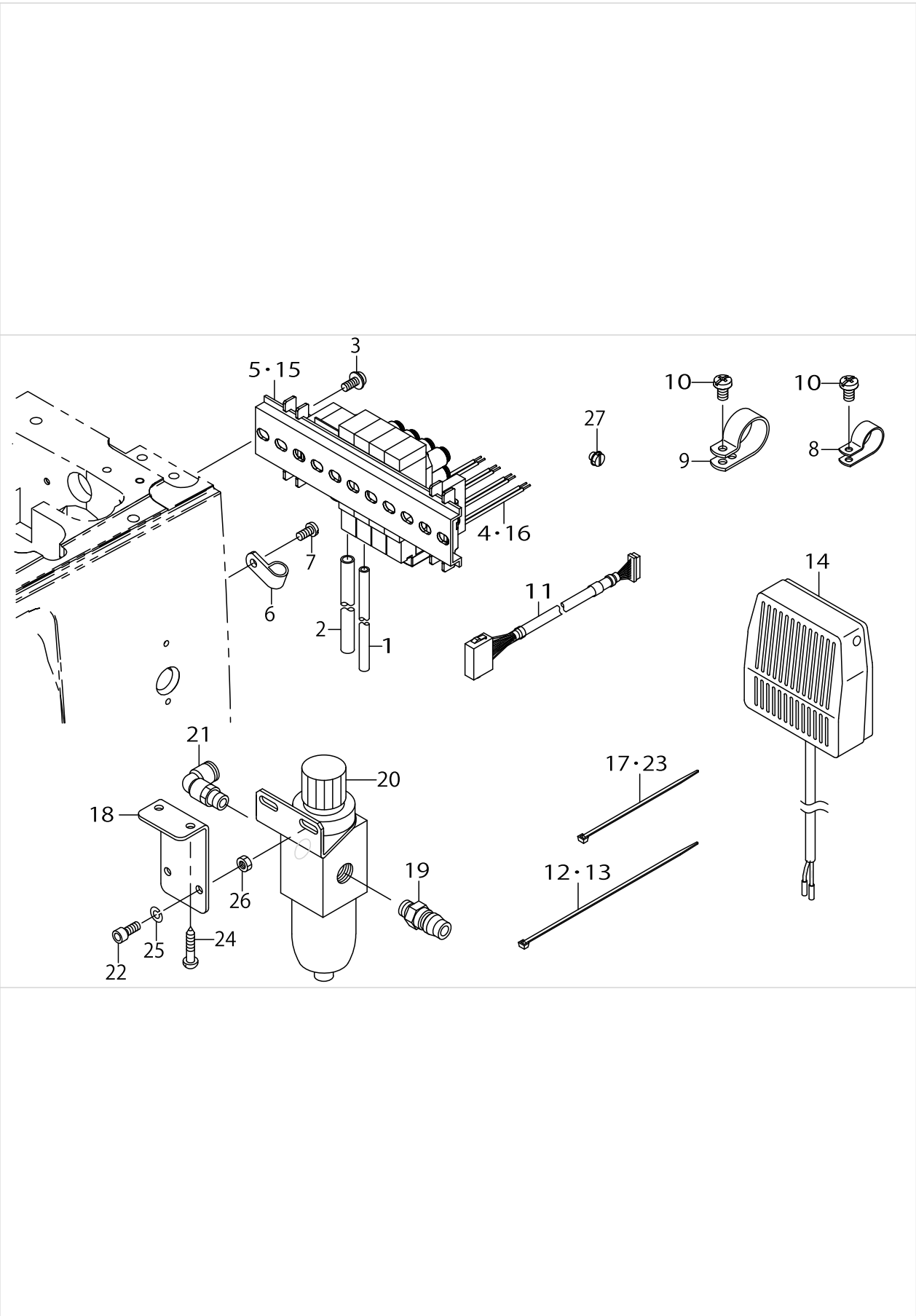
TENSION RELEASE COMPONENTS (FOR LU-2810-7,2860-7,2818-7,2868-7,2810-7/X73178)



TENSION RELEASE COMPONENTS (FOR LU-2810-7,2860-7,2818-7,2868-7,2810-7/X73178)

No.	Supply Code	Parts No.	Replacement	Parts name	Remarks	Choice	Step	Level	Cons	Qty	Rep. QTY
1		40139345		PLUNGER_LINK_PIN						2	
2		40125948		RELEASE_SOLENOID_LINK						2	
3		40126263		SOLENOID_LINK_MOUNTING_PLATE						1	
4		40125949		RELEASE_SOLENOID_BASE						1	
5		SS4090515SP		SCREW 9/64-40 L=5						2	
6		32055501		AT (UPPER) SPRING						2	
7		NM6030001SC		NUT M3X0.5 TYPE1						4	
8		SD0550271TP		HINGE SCREW D=5.50 H=2.7						2	
9		SM6030602TP		SCREW M3X0.5 L=6						8	
10	R	WP0320501SE	WP0320501SC	WASHER 3.2X7.0X0.5						8	1.00
11		40112285		TENSION_RELEASE_SOLENOID						2	
12		SM4051255SP		SCREW M5 L=12						4	
13		40126563		STOPPER_PLATE						2	
14		40126562		RUBBER HOLDER						2	
15		40086679		WIPER_STOPPER_RUBBER						4	
16		EA9500B0100		CABLE BAND						1	

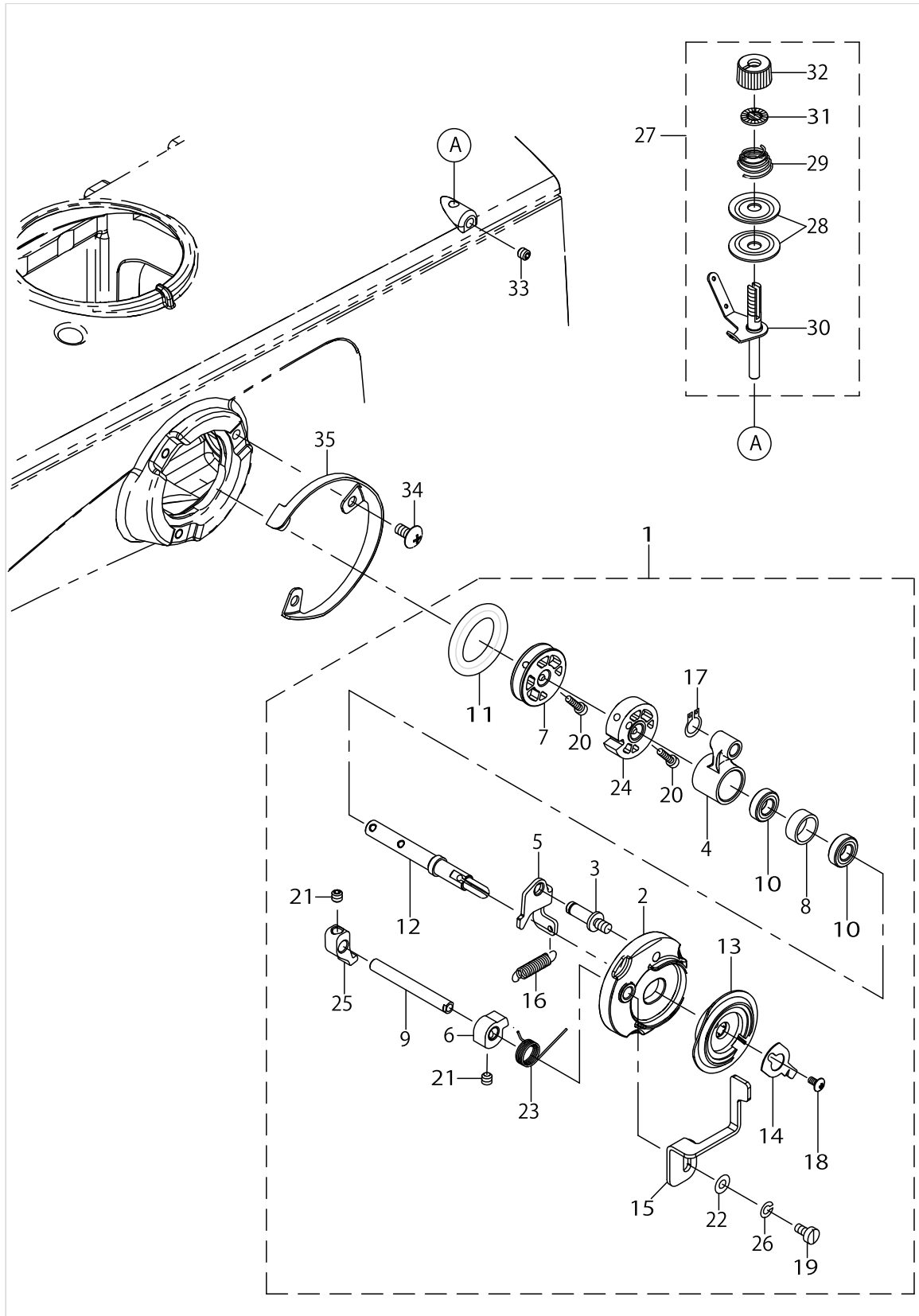
PNEUMATIC COMPONENTS (FOR LU-2810-7,2860-7,2818-7,2868-7,2810-7/X73178)



PNEUMATIC COMPONENTS (FOR LU-2810-7,2860-7,2818-7,2868-7,2810-7/X73178)

No.	Supply Code	Parts No.	Replacement	Parts name	Remarks	Choice	Step	Level	Cons	Qty	Rep. QTY
1		BT0600401EB		TUBE						1.1	
2		BT0800501EB		VINYL TUBE						1.1	
3		SL4041091SC		SCREW M4 L=10						2	
4		40126128		SOLENOID VALVE CABLE ASM.	FOR LU-2-810-7,2860-7, 2810-7/X73178					1	
5		40126545		SOLENOID_VALVE_ASSY	FOR LU-2-810-7,2860-7, 2810-7/X73178					1	
6		HX00150000C		CABLE CLIP						1	
7		SM4040855SP		SCREW						1	
8		HX00150000H		CABLE CLIP						1	
9		HX00150000M		CABLE CLIP						1	
10		SM4040855SP		SCREW						2	
11		40126127		AIR VALVE RELAY CABLE ASM.						1	
12		EA9500B0200		CABLE BAND 150	FOR LU-2-810-7,2860-7, 2810-7/X73178					2	
13		EA9500B0200		CABLE BAND 150	FOR LU-2-818-7,2868-7					4	
14		40143553		KNEE_SWITCH_ASM.						1	
15		40130283		SOLENOID_VALVE_ASM	FOR LU-2-818-7,2868-7					1	
16		40130284		SOLENOID VALVE CABLE ASM	FOR LU-2-818-7,2868-7					1	
17		EA9500B0100		CABLE BAND	FOR LU-2-818-7,2868-7					1	
18		13860408		REGULATOR BRACKET						1	
19		PJ025100003		PLUG						1	
20		PF055107000		FILTER REGULATOR						1	
21		PJ304065101		ELBOW UNION 6XPT1/8						1	
22		SM6051202TP		SCREW M5X0.8 L=12						2	
23		EA9500B0100		CABLE BAND	FOR LU-2-810-7,2860-7, 2810-7/X73178					1	
24		SK3482001SE		WOOD SCREW D=4.8 L=20						2	
25		WS0510002KN		SPRING WASHER M5						2	
26		NM6050001SP		NUT M5						2	
27		PJ020500002		PLUG	FOR LU-2-810-7/X73178					1	

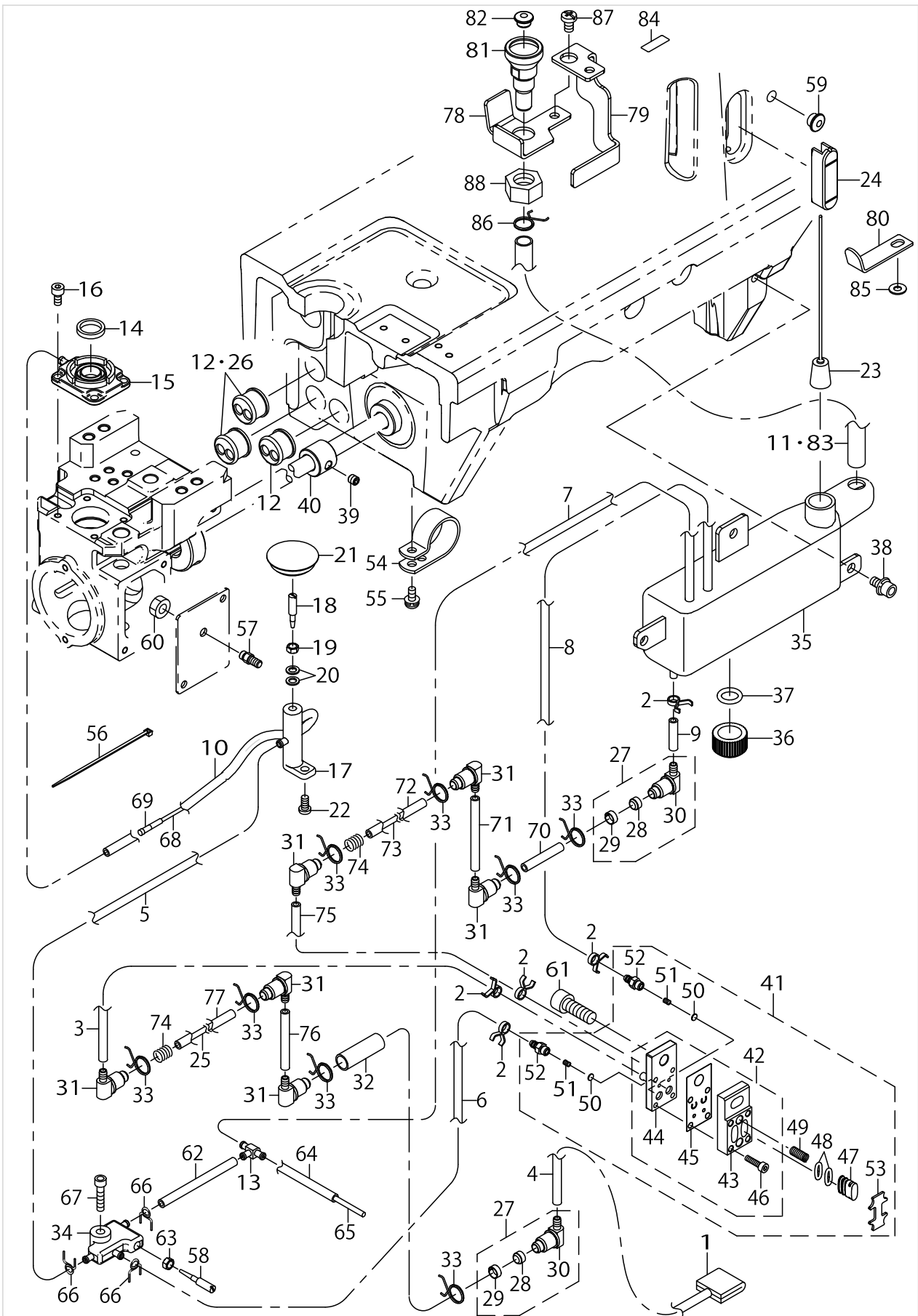
BOBBIN WINDER COMPONENTS



BOBBIN WINDER COMPONENTS

No.	Supply Code	Parts No.	Replacement	Parts name	Remarks	Choice	Step	Level	Cons	Qty	Rep. QTY
1		40126355		BOBBIN_WINDER_UNIT						1	
2	R	26260109	26260000	BTW_BASE				*		1	1.00
3		26260307		BTW_BASE_SHAFT				*		1	
4		26260406		BTW_SHAFT_BASE				*		1	
5		40126594		BTW_CAM_PLATE				*		1	
6		26260505		BTW_CAM_LEVER				*		1	
7		40125851		WINDER_WHEEL				*		1	
8	R	26260802	26260000	BTW_BEARING_SPACER				*		1	1.00
9		26261008		BTW_LEVER_SHAFT				*		1	
10		40126354		WINDER_BEARING				*		1	
11		26261503		BTW_WHEEL_RUBBER				*	☆	1	
12		40126550		BOBBIN_SHAFT				*		1	
13		40125927		BOBBIN_BASE				*		1	
14		40126311		WINDER_CUTTER				*		1	
15		40151791		BOBBIN_LEVER				*		1	
16		13718507		SPRING				*		1	
17		RC0560711KP		RETAINING RING				*		1	
18		SM0030601SC		SCREW M3X0.5 L=6				*		1	
19		SM6040860TP		SCREW M4 L=8				*		1	
20		SM6031202TP		SCREW M3X0.5 L=12				*		1	
21		SM8050502TP		SCREW M5 L=5				*		2	
22		WP0450801SP		WASHER				*		1	
23		40126549		HELICAL_TORSION_COIL_SPRING				*		1	
24		40125928		WINDER_LATCH_CAM				*		1	
25		40125844		WINDER_LATCH_B				*		1	
26		WS0451040KP		SPRING WASHER 4.5X8.5X1				*		1	
27		40088958		BOBBIN_THREAD_TENSION_ASM.				*		1	
28		22921506		THREAD_TENSION_DISK				*		1	
29		22921704		THREAD_TENSION_SPRING_A				*	☆	1	
30		40088959		BOBBIN_THREAD_TENSION_ROD_ASM.				*		1	
31		22921407		ROTATION_STOPPER				*		1	
32		22921308		THREAD_TENSION_NUT				*		1	
33		SM8051002TP		SCREW M5 L=10				*		1	
34		SM0051001SC		SCREW				*		3	
35		40152022		BTW_GUARD				*		1	

LUBRICATION COMPONENTS (FOR LU-2810,2810-7,2818-7,2810-7/X73178)

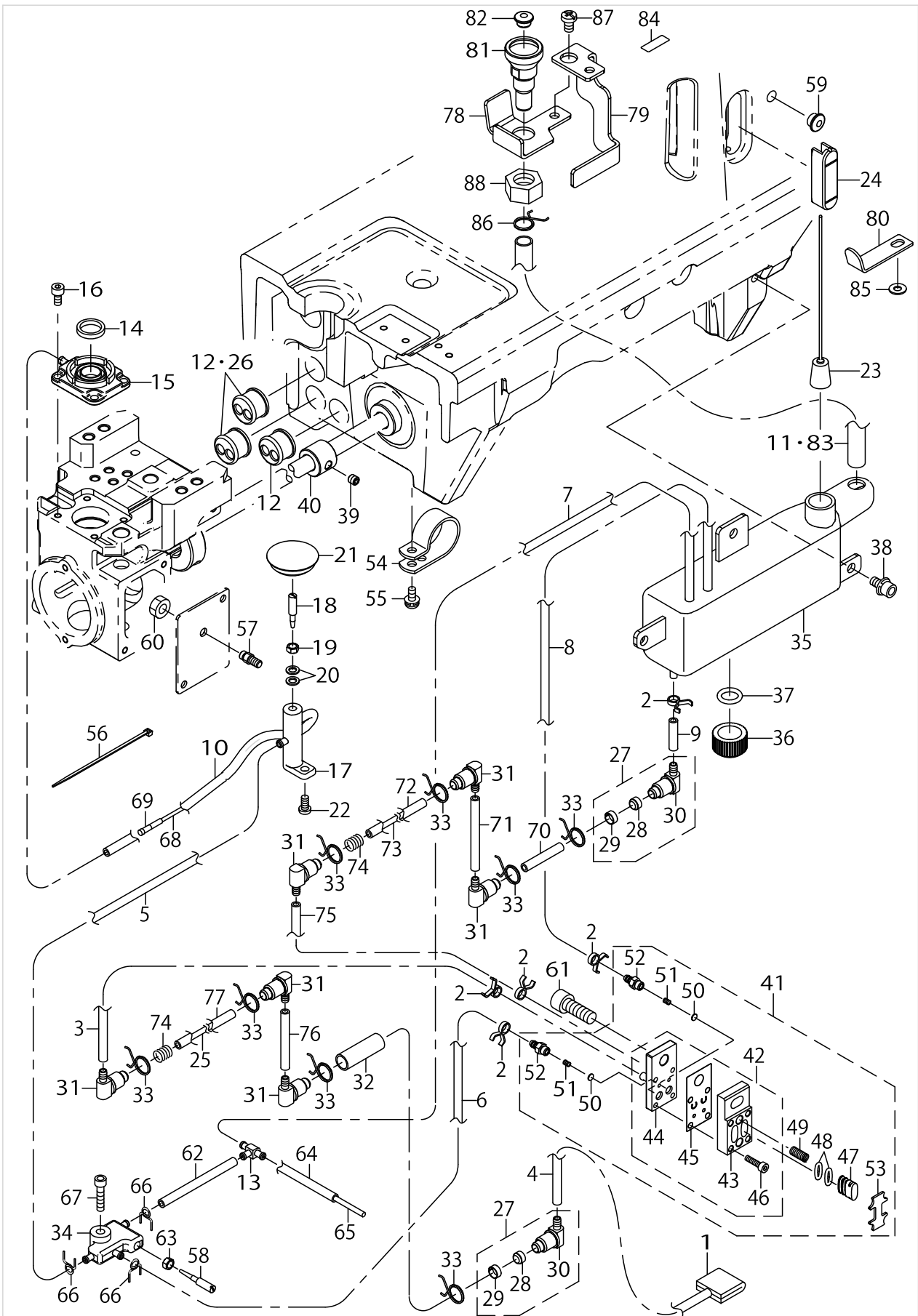


LUBRICATION COMPONENTS (FOR LU-2810,2810-7,2818-7,2810-7/X73178)

No.	Supply Code	Parts No.	Replacement	Parts name	Remarks	Choice	Step	Level	Cons	Qty	Rep. QTY
1		40112320		FELT						1	
2		13142609		OIL TUBE HOLDER						5	
3		23630007		TUBE						.1	
4		23630007		TUBE						.4	
5		23630007		TUBE						.12	
6		23630007		TUBE						.08	
7		23630007		TUBE						.31	
8		23630007		TUBE						.4	
9		23630007		TUBE						.02	
10		23630007		TUBE						.22	
11		23630106		TUBE_B	FOR LU-2-810,2810-7,2810-7/X73178					.32	
12	R	22935308	11100104	MAGNET_CORD_RUBBER						2	1.00
13		13765607		OIL_CONNEC_ARM						1	
14		40112318		OIL_SUPPLY_FELT						1	
15		40112246		OIL_SUPPLY						1	
16		SM6040802TP		SCREW_M4X0.7_L=8						4	
17		40069741		OIL_REGULATING_VALVE						1	
18		B1843563000		OIL_ADJUSTING_SCREW						1	
19		NS6110310SP		NUT_11/64-40_						1	
20		WP0450846SP		WASHER						2	
21		40028294		FEED_ADJUSTING_CAP						1	
22		SM4040855SP		SCREW						1	
23		23628357		FLOATERASM.						1	
24		40036167		OIL_GAGE						1	
25		CQ303000000		OIL WICK						.26	
26	R	22935308	11100104	MAGNETCORDRUBBER	FOR LU-2-810-7,2810-7/X73178					3	1.00
27		23630650		OIL_FILTER_JOINT_ASM.						2	
28	R	23630403	23630650	OIL_FILTER_STOPPER				*	☆	1	1.00
29	R	23630502	23630650	OIL_FILTER				*		1	1.00
30		23630601		OIL_FILTER_JOINT				*		1	
31		23630601		OIL_FILTER_JOINT						6	
32		23630106		TUBE_B						.03	
33		23629405		PIPE STOPPER B						8	
34		40032804		BASE						1	
35		40125929		OIL_TANK						1	
36		40013595		OIL_EXIT_CAP						1	
37		RO098240100		RUBBER_RING						1	
38		SL6051092TN		BOLT						3	
39		SM8050512TP		SCREW						1	
40		40101721		ECCENTRIC_CAM						1	
41		40101719		PUMP_BASE_ASSY						1	
42	R	40102249	40101719	PUMP_BASE_ASM.				*		1	1.00
43	R	40101715	40101719	PUMP_BASE_TOP				*		1	1.00
44	R	40101716	40101719	PUMP_BASE_BOTTOM				*		1	1.00



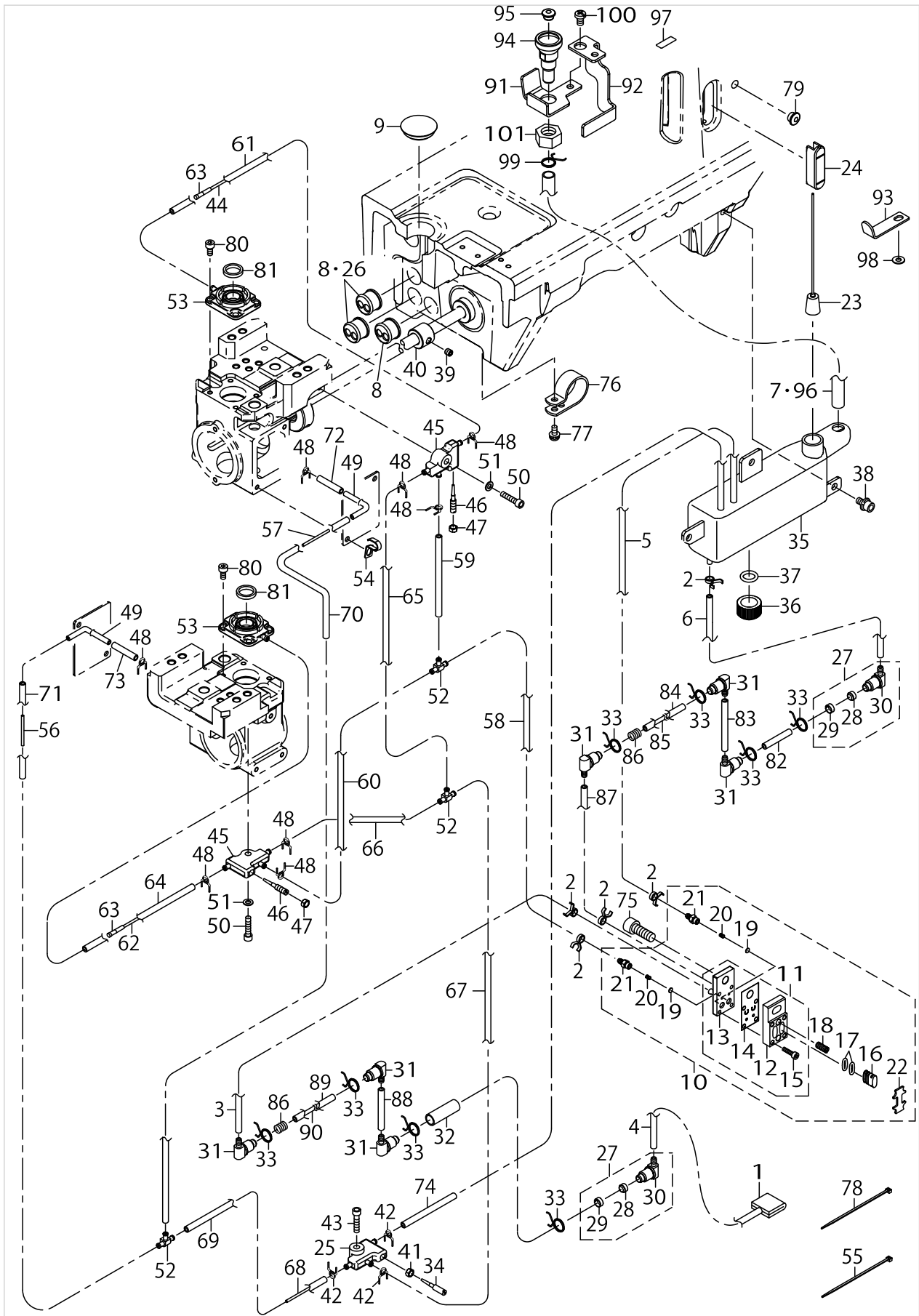
LUBRICATION COMPONENTS (FOR LU-2810,2810-7,2818-7,2810-7/X73178)



LUBRICATION COMPONENTS (FOR LU-2810,2810-7,2818-7,2810-7/X73178)

No.	Supply Code	Parts No.	Replacement	Parts name	Remarks	Choice	Step	Level	Cons	Qty	Rep. QTY
45	R	40101717	40101719	GASKET_SHEET				*		1	1.00
46		SM6031202TP		SCREW_M3X0.5_L=12				*		4	
47	R	40101713	40101719	OVAL_PLUNGER				*		2	1.00
48		40116455		OVAL_O_RING				*		4	
49	R	40116456	40101719	SPRING				*		2	1.00
50		40116457		FREE_VALVE				*		2	
51		40116458		SPRING				*		2	
52		40116459		CONNECTING_SCREW				*		2	
53		40101714		PLUNGER_HOLD_PLATE				*		1	
54		HX00150000M		CABLE_CLIP						1	
55		SL4041091SC		SCREW M4 L=10						1	
56		EA9500B0100		CABLE_BAND						4	
57		SQ2050452MZ		CONNECTING_SCREW						1	
58		B1843563000		OIL ADJUSTING SCREW						1	
59		40126582		RUBBER_PLUG	FOR LU-2- 810,2810-7, 2810-7/X73178					1	
60		NM6050003SC		NUT_M5X0.8						1	
61		SM6061802TP		SCREW_M6_L=18						1	
62		23630007		TUBE						.06	
63		NS6110310SP		NUT 11/64-40						1	
64		23630007		TUBE						.28	
65		CQ202000000		COTTON OIL WICK D=2						.05	
66		13142609		OIL TUBE HOLDER						3	
67		SM6041802TP		SCREW M4 L=18						1	
68		CQ202000000		OIL WICK						.18	
69		11015906		OIL WICK						2	
70		23630007		TUBE						.03	
71		23630007		TUBE						.05	
72		23630106		TUBE B						.09	
73		CQ303000000		OIL WICK						.26	
74		12210803		SPRING						2	
75		23630007		TUBE						.1	
76		23630007		TUBE						.04	
77		23630106		TUBE B						.09	
78		40147956		INLET_PLATE	FOR LU-2818-7					1	
79		40155370		TUBE HOLDER A	FOR LU-2818-7					1	
80		40155371		TUBE HOLDER B	FOR LU-2818-7					1	
81		40155440		LUBRICATING INLET	FOR LU-2818-7					1	
82		40126582		RUBBER_PLUG	FOR LU-2818-7					1	
83		23630106		TUBE B	FOR LU-2818-7					.35	
84		B1140761000		OILING LABEL	FOR LU-2818-7					1	
85		WP0450801SP		WASHER	FOR LU-2818-7					1	
86		23629405		PIPE STOPPER B	FOR LU-2818-7					1	
87		SM4050855SP		SCREW	FOR LU-2818-7					1	
88		NM6120001CP		NUT M12	FOR LU-2818-7					1	

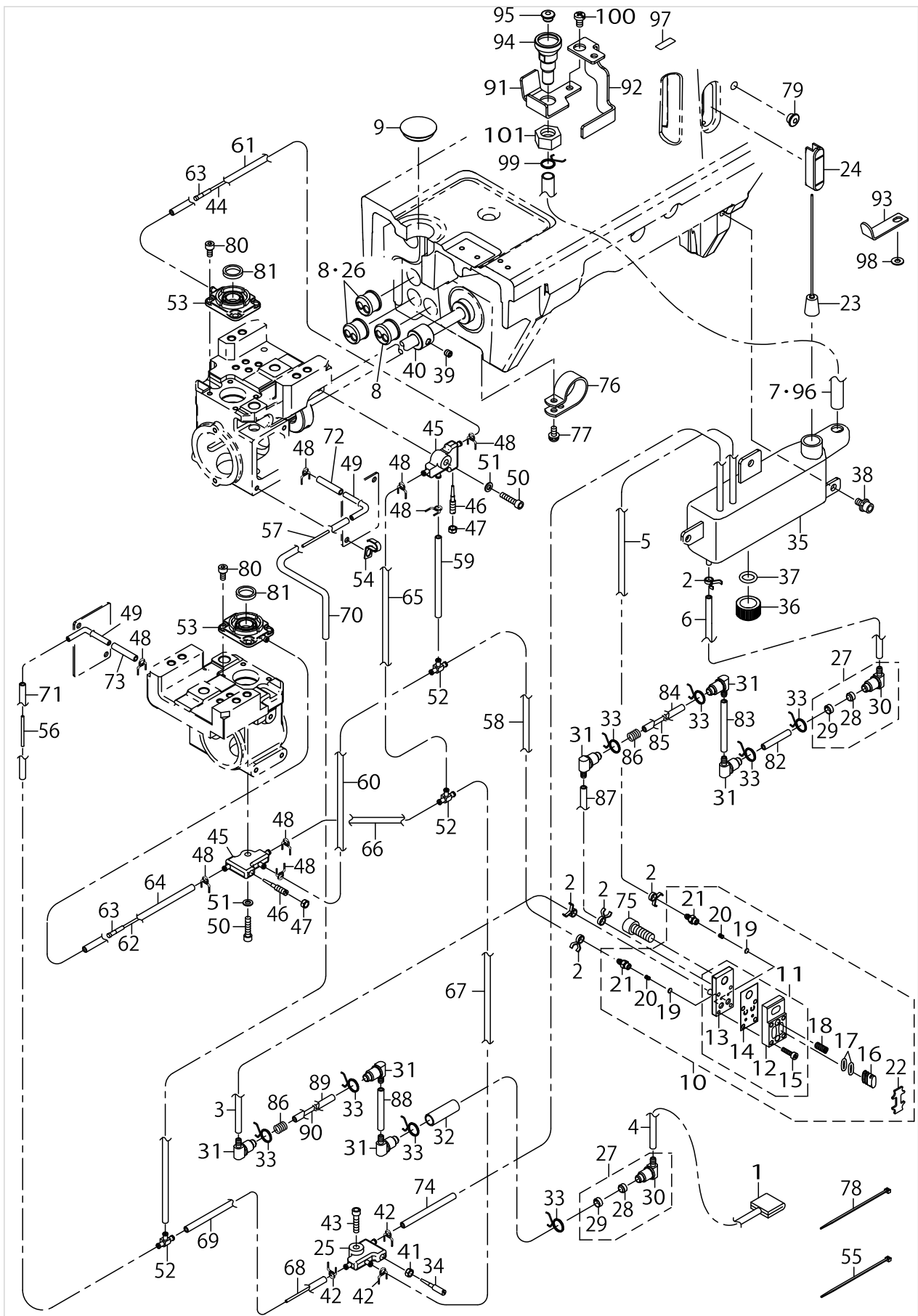
LUBRICATION COMPONENTS (FOR LU-2860,2860-7,2868-7)



LUBRICATION COMPONENTS (FOR LU-2860,2860-7,2868-7)

No.	Supply Code	Parts No.	Replacement	Parts name	Remarks	Choice	Step	Level	Cons	Qty	Rep. QTY
1		40112320		FELT						1	
2		13142609		OIL TUBE HOLDER						5	
3		23630007		TUBE						.1	
4		23630007		TUBE						.4	
5		23630007		TUBE						.4	
6		23630007		TUBE						.02	
7		23630106		TUBE_B	FOR LU-2-860,2860-7					.32	
8	R	22935308	11100104	MAGNET_CORD_RUBBER						2	1.00
9		40028294		FEED_ADJUSTING_CAP						1	
10		40101719		PUMP_BASE_ASSY						1	
11	R	40102249	40101719	PUMP_BASE_ASM.				*		1	1.00
12	R	40101715	40101719	PUMP_BASE_TOP				*		1	1.00
13	R	40101716	40101719	PUMP_BASE_BOTTOM				*		1	1.00
14	R	40101717	40101719	GASKET_SHEET				*		1	1.00
15		SM6031202TP		SCREW_M3X0.5_L=12				*		4	
16	R	40101713	40101719	OVAL_PLUNGER				*		2	1.00
17		40116455		OVAL_O_RING				*		4	
18	R	40116456	40101719	SPRING				*		2	1.00
19		40116457		FREE_VALVE				*		2	
20		40116458		SPRING				*		2	
21		40116459		CONNECTING_SCREW				*		2	
22		40101714		PLUNGER_HOLD_PLATE				*		1	
23		23628357		FLOATER ASM.						1	
24		40036167		OIL_GAGE						1	
25		40032804		BASE						1	
26	R	22935308	11100104	MAGNET CORD RUBBER	FOR LU-2860-7					3	1.00
27		23630650		OIL_FILTER_JOINT_ASM.						2	
28	R	23630403	23630650	OIL_FILTER_STOPPER				*	☆	1	1.00
29	R	23630502	23630650	OIL_FILTER				*		1	1.00
30		23630601		OIL_FILTER_JOINT				*		1	
31		23630601		OIL_FILTER_JOINT						6	
32		23630106		TUBE_B						.03	
33		23629405		PIPE STOPPER B						8	
34		B1843563000		OIL ADJUSTING SCREW						1	
35		40125929		OIL_TANK						1	
36		40013595		OIL_EXIT_CAP						1	
37		RO098240100		RUBBER_RING						1	
38		SL6051092TN		BOLT						3	
39		SM8050512TP		SCREW						1	
40		40101721		ECCENTRIC_CAM						1	
41		NS6110310SP		NUT 11/64-40						1	
42		13142609		OIL TUBE HOLDER						3	
43		SM6041802TP		SCREW M4 L=18						1	
44		CQ202000000		OIL WICK						.15	
45		40032804		BASE						2	
46		B1834512000A		OIL ADJUSTING SCREW						2	

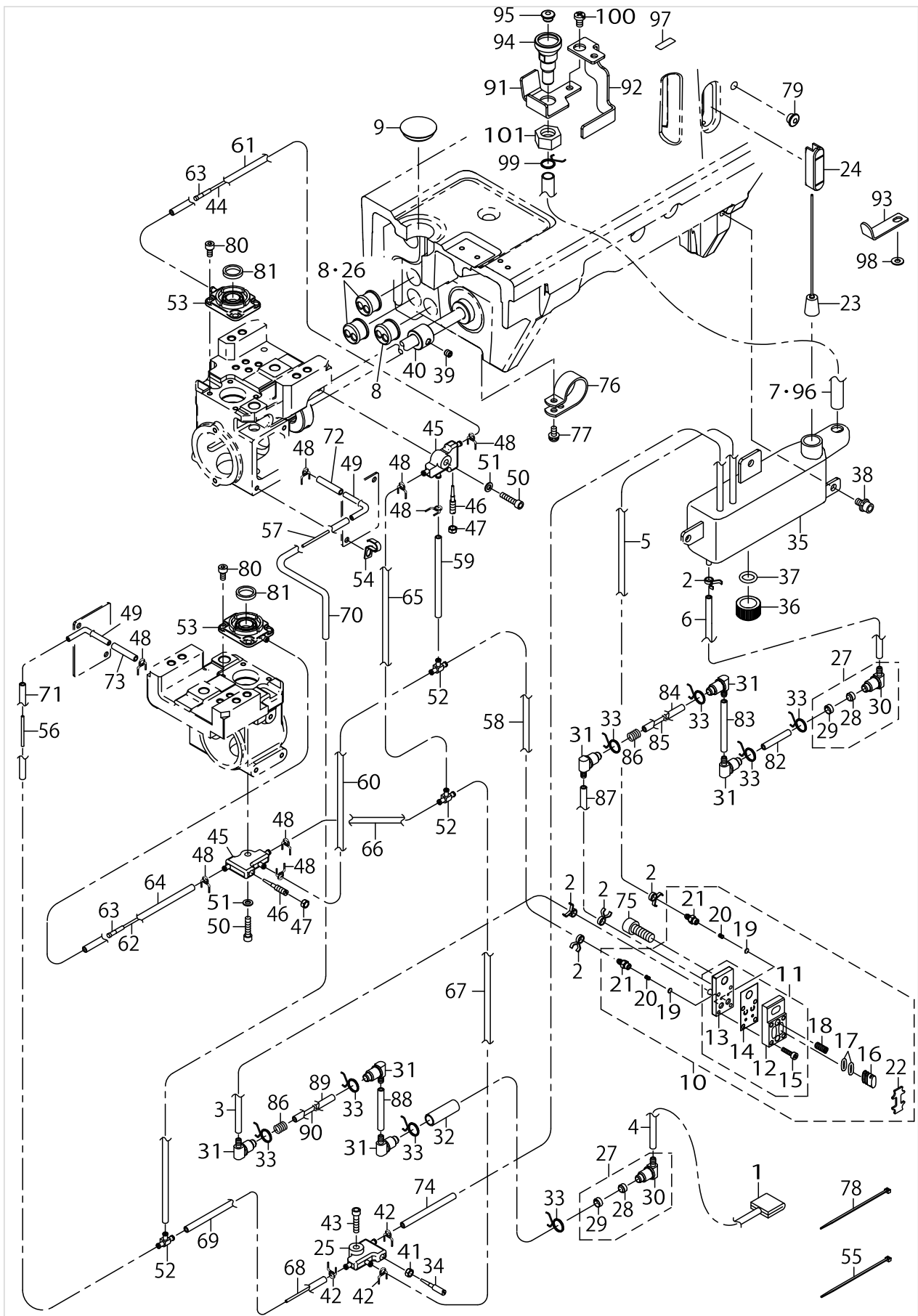
LUBRICATION COMPONENTS (FOR LU-2860,2860-7,2868-7)



LUBRICATION COMPONENTS (FOR LU-2860,2860-7,2868-7)

No.	Supply Code	Parts No.	Replacement	Parts name	Remarks	Choice	Step	Level	Cons	Qty	Rep. QTY
47		NS6110310SP		HEXAGONAL NUT 11/64-40						2	
48		13142609		OIL TUBE HOLDER						8	
49		22923908		HOOK DRIVING SH-AFT OILING PIPE						2	
50		SM6041802TP		SCREW M4 L=18						2	
51		WP0430800SD		WASHER M4						2	
52		13765607		OIL CONNEC. ARM						3	
53		40112246		OIL_SUPPLY						2	
54		26231902		OIL WICK PIPE STOPPER						1	
55		EA9500B0100		CABLE_BAND						2	
56		CQ202000000		COTTON OIL WICK D=2						.03	
57		CQ202000000		COTTON OIL WICK D=2						.03	
58		23630007		TUBE						.19	
59		23630007		TUBE						.08	
60		23630007		TUBE						.145	
61		23630007		TUBE						.195	
62		CQ202000000		OIL WICK						.16	
63		11015906		OIL WICK						4	
64		23630007		TUBE						.16	
65		23630007		TUBE						.065	
66		23630007		TUBE						.11	
67		23630007		TUBE						.18	
68		CQ202000000		OIL WICK						.1	
69		23630007		TUBE						.12	
70		23630007		TUBE						.13	
71		23630007		TUBE						.095	
72		23630007		TUBE						.026	
73		23630007		TUBE						.026	
74		23630007		TUBE						.33	
75		SM6061802TP		SCREW_M6_L=18						1	
76		HX00150000M		CABLE CLIP						1	
77		SL4041091SC		SCREW M4 L=10						1	
78		EA9500B0100		CABLE_BAND						5	
79		40126582		RUBBER_PLUG	FOR LU-2-860,2860-7					1	
80		SM6040802TP		SCREW_M4X0.7_L=8						8	
81		40112318		OIL_SUPPLY_FELT						2	
82		23630007		TUBE						.03	
83		23630007		TUBE						.05	
84		23630106		TUBE B						.09	
85		CQ303000000		OIL WICK						.26	
86		12210803		SPRING						2	
87		23630007		TUBE						.1	
88		23630007		TUBE						.04	
89		23630106		TUBE B						.09	
90		CQ303000000		OIL WICK						.26	
91		40147956		INLET_PLATE	FOR LU-2868-7					1	

LUBRICATION COMPONENTS (FOR LU-2860,2860-7,2868-7)

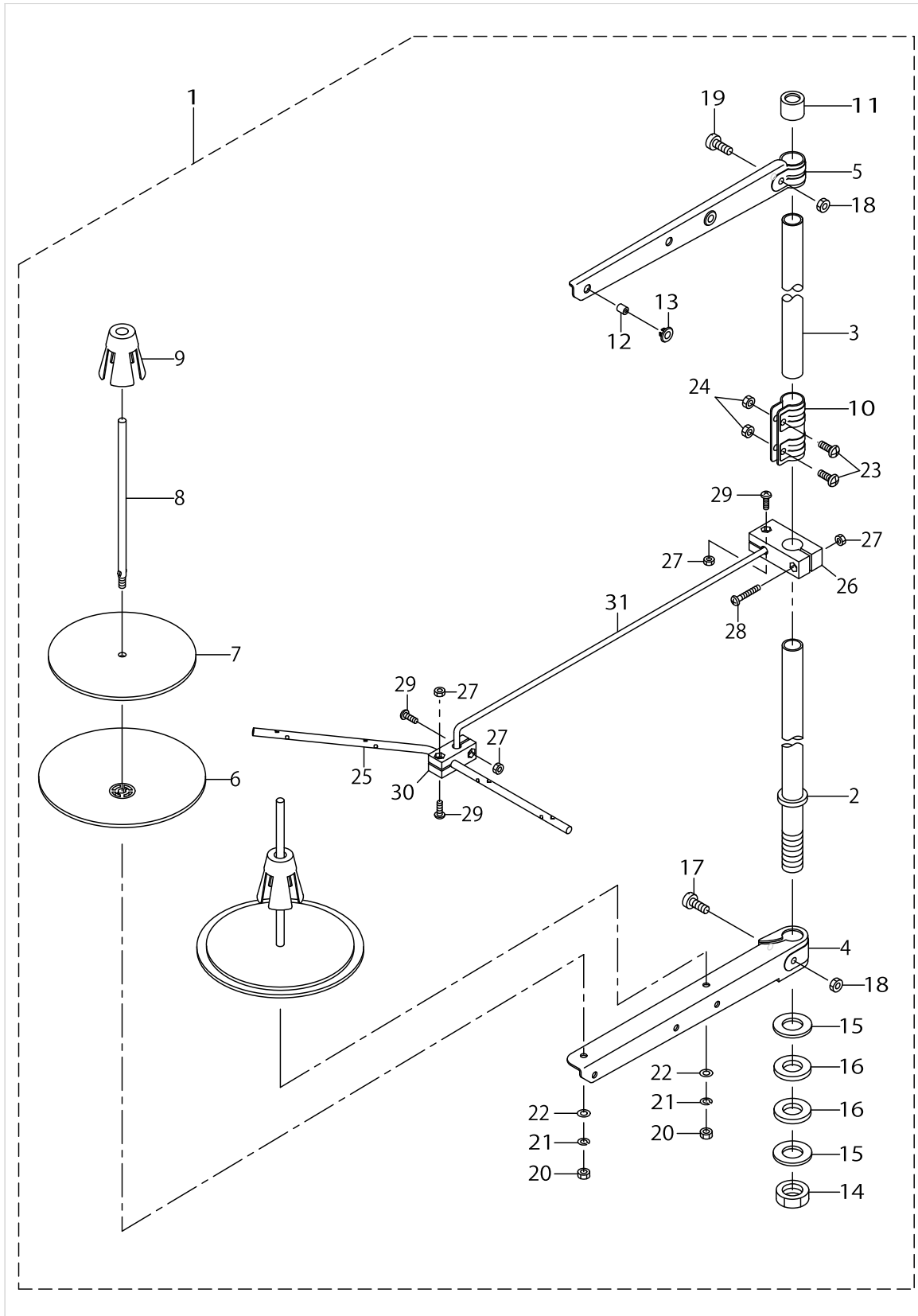


LUBRICATION COMPONENTS (FOR LU-2860,2860-7,2868-7)

No.	Supply Code	Parts No.	Replacement	Parts name	Remarks	Choice	Step	Level	Cons	Qty	Rep. QTY
92		40155370		TUBE HOLDER A	FOR LU-2868-7					1	
93		40155371		TUBE HOLDER B	FOR LU-2868-7					1	
94		40155440		LUBRICATING INLET	FOR LU-2868-7					1	
95		40126582		RUBBER_PLUG	FOR LU-2868-7					1	
96		23630106		TUBE B	FOR LU-2868-7					.35	
97		B1140761000		OILING LABEL	FOR LU-2868-7					1	
98		WP0450801SP		WASHER	FOR LU-2868-7					1	
99		23629405		PIPE STOPPER B	FOR LU-2868-7					1	
100		SM4050855SP		SCREW	FOR LU-2868-7					1	
101		NM6120001CP		NUT M12	FOR LU-2868-7					1	



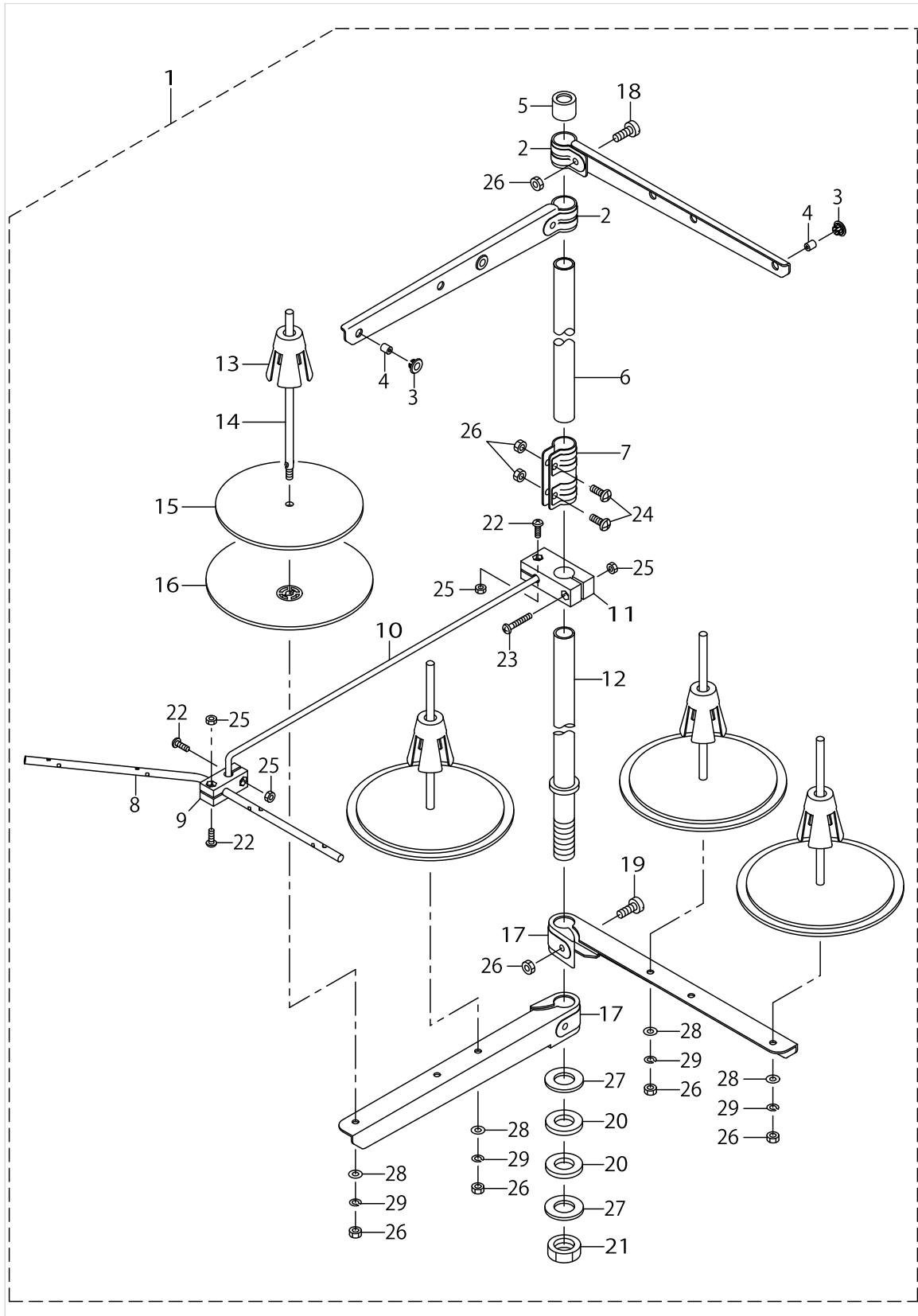
THREAD STAND COMPONENTS (FOR LU-2810,2810-7,2818-7,2810-7/X73178)



THREAD STAND COMPONENTS (FOR LU-2810,2810-7,2818-7,2810-7/X73178)

No.	Supply Code	Parts No.	Replacement	Parts name	Remarks	Choice	Step	Level	Cons	Qty	Rep. QTY
1		40142213		THREAD_STAND_PACKING						1	
2		40085784		SPOOL_REST_ROD_LOWER				*		1	
3		40085785		SPOOL_REST_ROD_UPPER				*		1	
4		40085786		SPOOL_REST_ARM_LOWER				*		1	
5		40085787		SPOOL_REST_ARM_UPPER				*		1	
6		40085788		SPOOL_REST				*		2	
7		40085789		SPOOL_REST_CUSHION				*		2	
8		40085790		SPOOL_PIN				*		2	
9		40085791		SPOOL_RETAINER				*		2	
10		40085792		SPOOL_REST_ROD_JOINT				*		1	
11		40085793		SPOOL_REST_ROD_RUBBER_CAP				*		1	
12		40085794		THREAD_GUIDE				*		2	
13		40085795		THREAD_GUIDE_BUSHING				*		2	
14		40096325		SPOOL_REST_ROD_NUT				*		1	
15		WP1612616SE		WASHER_16X30X2.6				*		2	
16		40085796		SPOOL_REST_ROD_- RUBBER_CUSHION				*		2	
17		40096326		SPOOL_REST_ARM_LOWER_SCREW				*		1	
18		NM6050001SE		NUT_M5				*		2	
19	R	40096327	SM4053001SE	SPOOL_REST_ARM_UPPER_SCREW				*		1	1.00
20		NM6050001SE		NUT_M5				*		2	
21		WS0510002KN		SPRING_WASHER_M5				*		2	
22		WP0531001SC		WASHER_M5				*		2	
23		SM4051405SE		SCREW_M5_L=14				*		2	
24		NM6050001SE		NUT_M5				*		2	
25		40106582		THREAD_GUIDE_4				*		1	
26		40106579		THREAD_GUIDE_ARM_BASE				*		1	
27	R	NM6040002SC	NM6040002SE	NUT_M4				*		4	1.00
28		SM4042501SC		SCREW_M4X0.7_L=25				*		1	
29		SM4041201SC		SCREW_M4_L=12				*		3	
30		40106580		THREAD_GUIDE_UNDER_BASE				*		1	
31		40106576		THREAD_GUIDE_ARM				*		1	

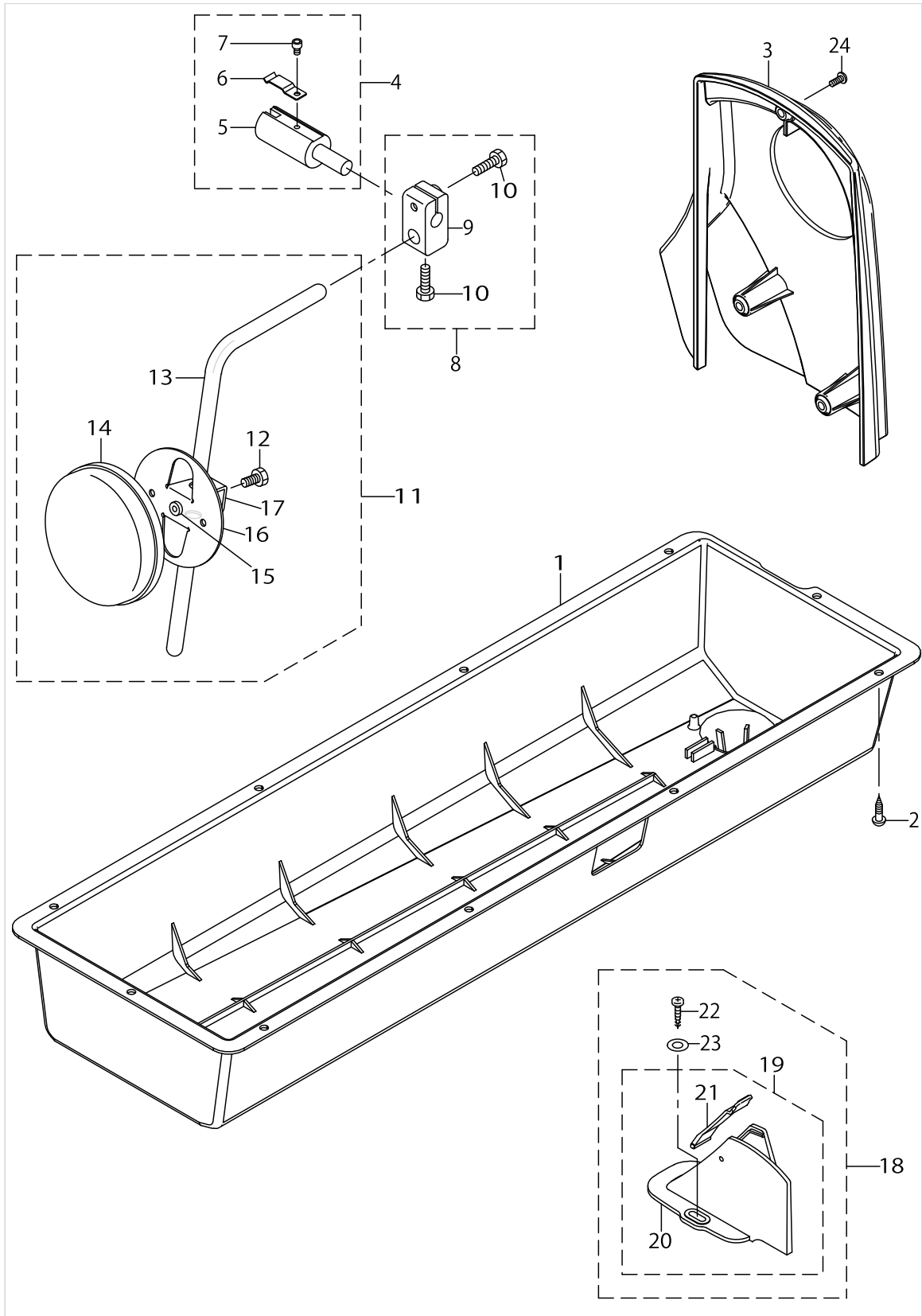
THREAD STAND COMPONENTS (FOR LU-2860,2860-7,2868-7)



THREAD STAND COMPONENTS (FOR LU-2860,2860-7,2868-7)

No.	Supply Code	Parts No.	Replacement	Parts name	Remarks	Choice	Step	Level	Cons	Qty	Rep. QTY
1		40106584		THREAD STAND PACKING						1	
2		40085787		SPOOL REST ARM UPPER				*		2	
3		40085795		THREAD GUIDE BUSHING				*		4	
4		40085794		THREAD GUIDE				*		4	
5		40085793		SPOOL REST ROD RUBBER CAP				*		1	
6		40085785		SPOOL REST ROD UPPER				*		1	
7		40085792		SPOOL REST ROD JOINT				*		1	
8		40106582		THREAD GUIDE 4				*		1	
9		40106580		THREAD GUIDE UNDER BASE				*		1	
10		40106576		THREAD GUIDE ARM				*		1	
11		40106579		THREAD GUIDE ARM BASE				*		1	
12		40085784		SPOOL REST ROD LOWER				*		1	
13		40085791		SPOOL RETAINER				*		4	
14		40085790		SPOOL PIN				*		4	
15		40085789		SPOOL REST CUSHION				*		4	
16		40085788		SPOOL REST				*		4	
17		40085786		SPOOL REST ARM LOWER				*		2	
18	R	40096327	SM4053001SE	SPOOL REST ARM UPPER SCREW				*		2	1.00
19		40096326		SPOOL REST ARM LOWER SCREW				*		2	
20		40085796		SPOOL REST ROD RUBBER CUSHION				*		2	
21		40096325		SPOOL REST ROD NUT				*		1	
22		SM4041201SC		SCREW M4 L=12				*		3	
23		SM4042501SC		SCREW M4X0.7 L=25				*		1	
24		SM4051405SE		SCREW M5 L=14				*		2	
25	R	NM6040002SC	NM6040002SE	NUT M4				*		4	1.00
26		NM6050001SE		NUT M5				*		10	
27		WP1612616SE		WASHER 16X30X2.6				*		2	
28		WP0531001SC		WASHER M5				*		4	
29		WS0510002KN		SPRING WASHER M5				*		4	

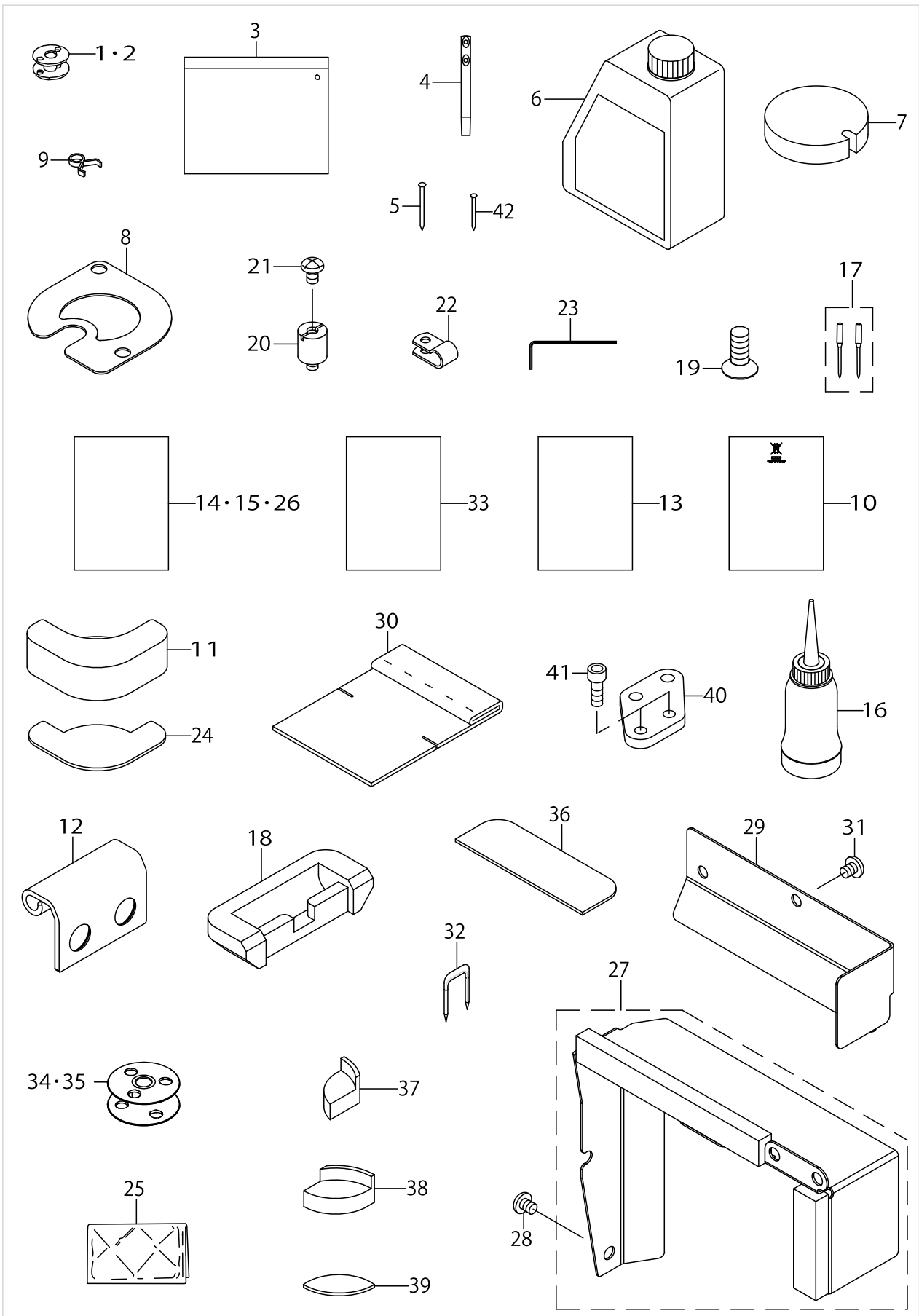
BOTTOM COVER & BELT COVER COMPONENTS



BOTTOM COVER & BELT COVER COMPONENTS

No.	Supply Code	Parts No.	Replacement	Parts name	Remarks	Choice	Step	Level	Cons	Qty	Rep. QTY
1		40126155		OIL_PAN						1	
2		SK3482001SE		WOOD SCREW D=4.8 L=20						10	
3		40126543		BELT_COVER	FOR LU-2810,2860					1	
4		40143069		KNEE LIFTER JOINT ASM.	FOR LU-2810,2860					1	
5		40143070		KNEE LIFTER JOINT				*		1	
6		40143071		PRESSER SPRING				*		1	
7		SM6040602TP		SCREW M4 L=6				*		1	
8		22932453		BRACKET ASM.	FOR LU-2810,2860					1	
9	R	22932404	22932453	BRACKET				*		1	1.00
10		22934707		SCREW				*		2	
11		21343157		KNEE PRESS PLATE ASM.	FOR LU-2810,2860					1	
12		SM9061203SE		SCREW M6 L=12				*		1	
13	R	21343108	21343157	KNEE PRESS LEVER				*		1	1.00
14		22934509		KNEE PAD PLATE COVER				*		1	
15		22934400		KNEE PAD PLATE RUBBER				*		1	
16		22934202		KNEE PAD PLATE				*		1	
17		22934301		KNEE PAD PLATE SUPPORT				*		1	
18		40126560		ASSY_BELT_COVER_B2	FOR LU-2810,2860					1	
19		40112296		BELT_COVER_B_COMPL.				*		1	
20		40112314		BELT_COVER_B				*		1	
21		40112313		BELT_COVER_B_LID_ASM.				*		1	
22	R	SK3412000SC	SK3412000SE	WOOD SCREW D=4.1 L=20				*		2	1.00
23		WP0501016SD		WASHER 5X10.5X1				*		2	
24		SM4051055SP		SCREW	FOR LU-2810,2860					3	

ACCESSORIES PARTS COMPONENTS

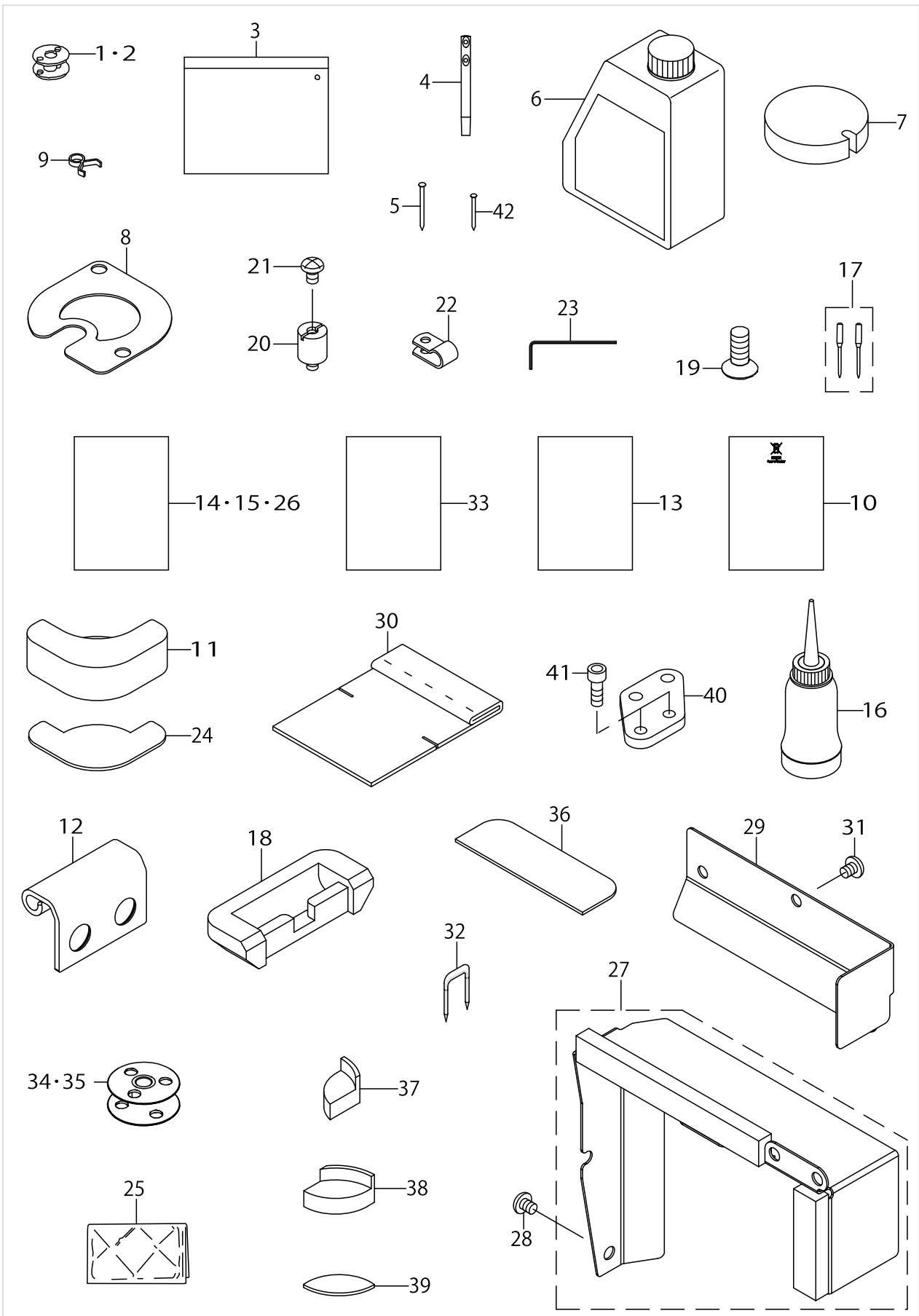


ACCESSORIES PARTS COMPONENTS

No.	Supply Code	Parts No.	Replacement	Parts name	Remarks	Choice	Step	Level	Cons	Qty	Rep. QTY
1		21334800		ALUMINUM BOBBIN WITH KNURL	FOR LU-2-810,2810-7				☆	1	
2		21334800		ALUMINUM BOBBIN WITH KNURL	FOR LU-2-860,2860-7				☆	2	
3		21413158		ACCESSORY BAG ASM.						1	
4		22958300		NEEDLE THREAD GUIDE PIN	FOR LU-2-860,2860-7,2868-7					1	
5		10539906		SET NAIL						14	
6	D R	40102087	MDFRX1600C0	JUKI_MACHINE_OIL_7						1	1.00
7		40126405		OIL_FILTER						1	
8		40126267		FELT HOLDER						1	
9		23629306		PIPE STOPPER A						2	
10		CM600100201		WEEE INFORMATION SHEET	FOR JE					1	
11		40151800		CUSHION_RUBBER						2	
12		40125869		HINGE						2	
13		40142430		DECLARATION OF INCORPORATION (LU2800)	FOR JE					1	
14		40151455		INSTRUCTION_MANUAL_1K	FOR CHINA					1	
15		40151456		INSTRUCTION_MANUAL_4K	EXCEPT CHINA					1	
16		B91210120A0		OILER ASM.						1	
17		M13517B1602		NEEDLE 135X17 #160-2					☆	1	
18		40151801		HINGE_RUBBER						2	
19		B1516210D00		SCREW						4	
20		40126222		CP_SPACER	FOR LU-2-810-7,2860-7 2818-7,-2868-7, 28-10-7/X73178					2	
21		SM4050855SP		SCREW	FOR LU-2-810-7,2860-7 2818-7,-2868-7, 28-10-7/X73178					2	
22		HX00150000B		CABLE CLIP	FOR LU-2-810-7,2860-7 2818-7,-2868-7, 28-10-7/X73178					2	
23		40079298		WRENCH						1	
24		10740900		RUBBER						8	
25		40048536		HEAD_COVER						1	
26		40151457		INSTRUCTION_MANUAL_9K	FOR JE					1	
27		40131916		OIL_SHIELD_PLATE_ASSY	FOR LU-2-810,2810-7-2818-7, 28-10-7/X73178					1	
28		SM4050655SP		SCREW M5 L=6	FOR LU-2-810,2810-7-2818-7, 28-10-7/X73178					4	
29		40131580		OIL_SHIELD_PLATE	FOR LU-2-860,2860-7,2868-7					1	
30		40133730		OIL FILTER						1	
31		SM4050655SP		SCREW M5 L=6	FOR LU-2-860,2860-7,2868-7					2	
32		MA011532000		CORD STAPLE	FOR LU-2-810-7,2860-7 2818-7,-2868-7, 28-10-7/X73178					3	



ACCESSORIES PARTS COMPONENTS



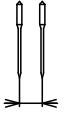


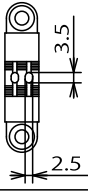
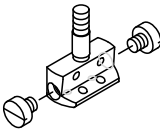
ACCESSORIES PARTS COMPONENTS

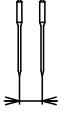
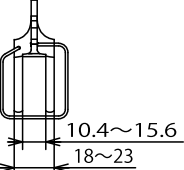
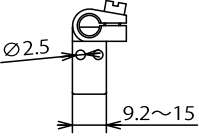
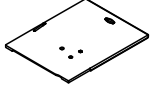
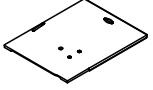
No.	Supply Code	Parts No.	Replacement	Parts name	Remarks	Choice	Step	Level	Cons	Qty	Rep. QTY
33		40151458		PARTS_LIST						1	
34		40147913		BOBBIN	FOR LU-2818-7				☆	1	
35		40147913		BOBBIN	FOR LU-2868-7				☆	2	
36		40151802		SPACER_RUBBER						8	
37		40151803		RUBBER_CUSHION_LEFT						1	
38		40151804		RUBBER_CUSHION_RIGHT						1	
39		40151805		RUBBER_CUSHION_SHEET						4	
40		40112214		EDGE_GUIDE_FITTING_PLATE						1	
41		SM6051402TP		SCREW M5X0.8 L=14						2	
42	D	22926208		SET NAIL						2	

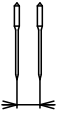
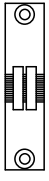


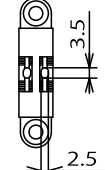
TABLE OF EXCHANGING GAUGE PARTS (FOR LU-2810,2810-7,2818-7)

Item 品名	Standard gauge 標準ゲージ		Europe gauge ヨーロッパゲージ			
	LU-2810S	LU-2810S-7	LU-2810A	LU-2810A-7	LU-2818A-7	LU-2810A-7/X73178
Throat plate 針板						
	Part No. 401-12212	Part No. 401-26349	Part No. 401-12211	Part No. 401-26350	Part No. 401-47949	Part No. 401-26350
Feed dog 送り歯						
	Part No. 401-33270	Part No. 401-33270	Part No. 401-33272	Part No. 401-33272	Part No. 401-25925	Part No. 401-33272
Working foot 送り足組						
	Part No. 401-43061	Part No. 401-43061	Part No. 107-11653	Part No. 107-11653	Part No. 107-12354	Part No. 107-11653
Presser foot 押え足組						
	Part No. 213-50152	Part No. 213-50152	Part No. 107-12552			
Slide plate (front) 正面滑り板						
			Part No. 401-47918			
Slide plate (left) 滑り板 左						
	Part No. 401-12224					
Slide plate (right) 滑り板 右						
	Part No. 401-42215	Part No. 401-12225	Part No. 401-42215	Part No. 401-12225	Part No. 401-47944	Part No. 401-47944

TABLE OF EXCHANGING GAUGE PARTS (FOR LU-2860,2860-7,2868-7)

Needle gauge size 針 幅		Throat plate 針 板		Feed dog 送 り 歯	Needle clamp asm. 針 留 め 組	
		LU-2860S	LU-2860S-7	LU-2860S,LU-2860S-7	LU-2860S,LU-2860S-7	
Code コ ー ス						
	inch	mm	Part No.	Part No.	Part No.	
D	3/16	4.8	401-27004	401-27023	401-26146	213-68154
F	1/4	6.4	401-27005	401-27024	401-26147	213-68253
H	5/16	7.9	401-27006	401-27025	401-26148	213-68352
K	3/8	9.5	401-27007	401-27026	401-26149	213-68451

Needle gauge size 針 幅		Presser foot asm. 押 え 足 組	Walking foot asm. 送 り 足 組	Slide plate 滑 り 板		
		LU-2860S,LU-2860S-7	LU-2860S,LU-2860S-7	LU-2860,LU-2860-7	LU-2868A-7	
Code コ ー ス						
	inch	mm	Part No.	Part No.	Part No.	
D	3/16	4.8	213-67651	213-67156	401-27056	401-47945
F	1/4	6.4	213-67750	213-67255		
H	5/16	7.9	213-67859	213-67354		
K	3/8	9.5	213-67958	213-67453		

Needle gauge size 針 幅		Throat plate 針 板			Feed dog 送 り 歯
		LU-2860A	LU-2860A-7	LU-2868A-7	LU-2860A,LU-2860A-7 LU-2868A-7
Code コ ー ス					
	mm	Part No.	Part No.	Part No.	Part No.
B	6	401-26976	401-26986	401-47951	401-26142
C	8	401-26977	401-26987	401-47952	401-26143
D	10	401-26978	401-26988	401-47953	401-26144
E	12	401-26979	401-26989	401-47954	401-26145

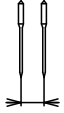
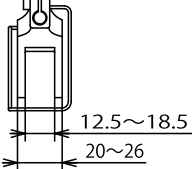
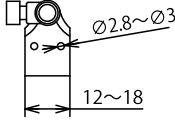
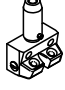
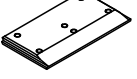
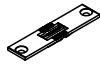




Needle gauge size 針 幅		Presser foot asm. 押 え 足 組	Walking foot asm. 送 り 足 組	Needle clamp asm. 針 留 め 組	Slide plate front 正 面 滑 り 板
		LU-2860A,LU-2860A-7 LU-2868A-7	LU-2860A,LU-2860A-7 LU-2868A-7	LU-2860A,LU-2860A-7 LU-2868A-7	LU-2860A,LU-2860A-7 LU-2868A-7
Code コ ー ス					
	mm	Part No.	Part No.	Part No.	Part No.
B	6	107-81656	401-35589	400-38778	401-47918
C	8	107-81755	401-35590	400-38776	
D	10	107-81854	400-38898	400-38774	
E	12	107-81953	400-95748	400-38772	

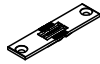




TABLE OF EXCHANGING GAUGE PARTS SET

• LU-2860S,2860S-7

							
GAUGE SET ゲージセット		THROAT PLATE S 針板(糸切りなし)	THROAT PLATE S7 針板(糸切り有り)	FEED DOG 送り歯	NEEDLE CLAMP ASM. 針留め(組)	PRESSER FOOT ASM. 押え足(組)	FEED FOOT ASM. 送り足(組)
Part No.	Name	Part No.	Part No.	Part No.	Part No.	Part No.	Part No.
401-50791	GAUGE SET 3/16(NTC)	401-27004		401-26146	213-68154	213-67651	213-67156
401-50803	GAUGE SET 3/16(TC)		401-27023				
401-50792	GAUGE SET 1/4(NTC)	401-27005		401-26147	213-68253	213-67750	213-67255
401-50804	GAUGE SET 1/4(TC)		401-27024				
401-50793	GAUGE SET 5/16(NTC)	401-27006		401-26148	213-68352	213-67859	213-67354
401-50805	GAUGE SET 5/16(TC)		401-27025				
401-50794	GAUGE SET 3/8(NTC)	401-27007		401-26149	213-68451	213-67958	213-67453
401-50806	GAUGE SET 3/8(TC)		401-27026				

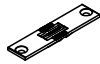




A slide plate is not contained in the contents of composition of a gauge set.  
ゲージセットの構成内容に滑り板は含まれません

• LU-2860A,2860A-7

							
GAUGE SET ゲージセット		THROAT PLATE A 針板(糸切りなし)	THROAT PLATE A7 針板(糸切り有り)	FEED DOG 送り歯	NEEDLE CLAMP ASM. 針留め(組)	PRESSER FOOT ASM. 押え足(組)	FEED FOOT ASM. 送り足(組)
Part No.	Name	Part No.	Part No.	Part No.	Part No.	Part No.	Part No.
401-50762	GAUGE SET 6MM(NTC)	401-26976		401-26142	400-38778	107-81656	401-35589
401-50777	GAUGE SET 6MM(TC)		401-26986				
401-50763	GAUGE SET 8MM(NTC)	401-26977		401-26143	400-38776	107-81755	401-35590
401-50778	GAUGE SET 8MM(TC)		401-26987				
401-50764	GAUGE SET 10MM(NTC)	401-26978		401-26144	400-38774	107-81854	400-38898
401-50779	GAUGE SET 10MM(TC)		401-26988				
401-50765	GAUGE SET 12MM(NTC)	401-26979		401-26145	400-38772	107-81953	400-95748
401-50780	GAUGE SET 12MM(TC)		401-26989				


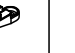




A slide plate is not contained in the contents of composition of a gauge set.  
ゲージセットの構成内容に滑り板は含まれません

• LU-2868A-7

							
GAUGE SET ゲージセット		THROAT PLATE A 針板(糸切りなし)	THROAT PLATE A7 針板(糸切り有り)	FEED DOG 送り歯	NEEDLE CLAMP ASM. 針留め(組)	PRESSER FOOT ASM. 押え足(組)	FEED FOOT ASM. 送り足(組)
Part No.	Name	Part No.	Part No.	Part No.	Part No.	Part No.	Part No.
401-55973	GAUGE SET 6MM(P=12糸切り付き)	-	401-47951	401-26142	400-38778	107-81656	401-35589
401-55974	GAUGE SET 8MM(P=12糸切り付き)	-	401-47952	401-26143	400-38776	107-81755	401-35590
401-55975	GAUGE SET 10MM(P=12糸切り付き)	-	401-47953	401-26144	400-38774	107-81854	400-38898
401-55976	GAUGE SET 12MM(P=12糸切り付き)	-	401-47954	401-26145	400-38772	107-81953	400-95748

A slide plate is not contained in the contents of composition of a gauge set.  
ゲージセットの構成内容に滑り板は含まれません

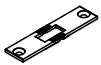

• LU-2868A-7

								
12MM to 9MM EXCHANGE GAGE SET 12mm→9mm交換ゲージセット		THROAT PLATE A 針板(糸切りなし)	THROAT PLATE A7 針板(糸切り有り)	FEED DOG 送り歯	NEEDLE CLAMP ASM. 針留め(組)	PRESSER FOOT ASM. 押え足(組)	FEED FOOT ASM. 送り足(組)	STOPPER PIN 送りダイヤルストッパピン
Part No.	Name	Part No.	Part No.	Part No.	Part No.	Part No.	Part No.	Part No.
401-55979	GAUGE SET 6MM(P=9交換糸切り付き)	-	401-26986	401-26142	400-38778	107-81656	401-35589	PH-0400062-C0
401-55980	GAUGE SET 8MM(P=9交換糸切り付き)	-	401-26987	401-26143	400-38776	107-81755	401-35590	
401-55981	GAUGE SET 10MM(P=9交換糸切り付き)	-	401-26988	401-26144	400-38774	107-81854	400-38898	
401-55982	GAUGE SET 12MM(P=9交換糸切り付き)	-	401-26989	401-26145	400-38772	107-81953	400-95748	

A 12mm to 9mm exchange gauge set becomes the composition of the [9mm gauge set] + [sending dial stopper pin].  
12mm→9mm交換ゲージセットは[9mmのゲージセット]+[送りダイヤルストッパピン]の構成になります。

A slide plate is not contained in the contents of composition of a gauge set.  
ゲージセットの構成内容に滑り板は含まれません

• LU-2818A-7

			
12MM to 9MM EXCHANGE GAGE SET 12mm→9mm交換ゲージセット		THROAT PLATE 針板	STOPPER PIN 送りダイヤルストッパピン
Part No.	Name	Part No.	Part No.
401-56013	P=9交換糸切り付き	401-26350	PH-0400062-C0

A 12mm to 9mm exchange gauge set becomes the composition of the [9mm throat plate] + [sending dial stopper pin].  
12mm→9mm交換ゲージセットは[9mm針板]+[送りダイヤルストッパピン]の構成になります。

A slide plate is not contained in the contents of composition of a gauge set.  
ゲージセットの構成内容に滑り板は含まれません

TABLE OF OPTIONAL GAUGE PARTS

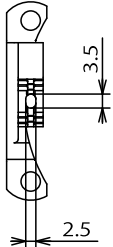
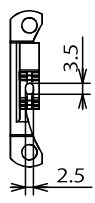
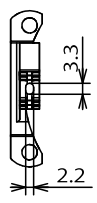
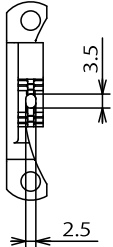
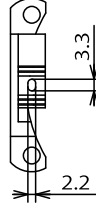
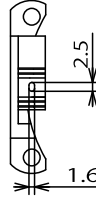
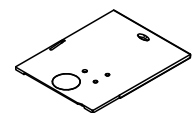



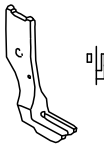

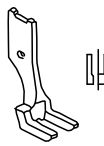
Item 品名	LU-2810S,S-7	LU-2810A,A-7	LU-2818A-7	LU-2868A-7	
Feed dog 送り歯					
		Part No. 401-33273	Part No. 401-33272		
					Without groove. 溝なし
		Part No. 107-17205			
			For fine yarn 細糸用		
		Part No. 401-33271	Part No. 107-17304		
Item 品名	LU-2810S,S-7	LU-2810A,A-7	LU-2818A-7	LU-2868A-7	
Slide plate (With a window) 滑り板 (窓付)					
	Part No. 401-33312		Part No. 401-55087	Part No. 401-56017	

TABLE OF OPTIONAL GAUGE PARTS (FOR LU-2810S,2810S-7)

For piping パイピング用		
	Feed foot 送り足	Presser foot asm. 押え足 (組)
		
Size(mm)	Part No.	Part No.
Ø4.8mm(3/16)	B1478-245-000	B1530-245-0AD
Ø6.4mm(1/4)		B1530-245-0AF
Ø7.9mm(5/16)		B1530-245-0AH
Ø9.5mm(3/8)		B1530-245-0AK
		
Size(mm)	Part No.	Part No.
Ø4.8mm(3/16)	B1479-245-00D	B1531-245-0AD
Ø6.4mm(1/4)	B1479-245-00F	B1531-245-0AF
Ø7.9mm(5/16)	B1479-245-00H	B1531-245-0AH
Ø9.5mm(3/8)	-	-
		
Size(mm)	Part No.	Part No.
Ø4.8mm(3/16)	B1474-245-00D	B1527-245-0AD
Ø6.4mm(1/4)	B1474-245-00F	B1527-245-0AF
Ø7.9mm(5/16)	B1474-245-00H	B1527-245-0AH
Ø9.5mm(3/8)	B1474-245-00K	B1527-245-0AK

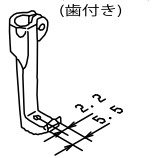
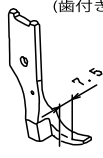
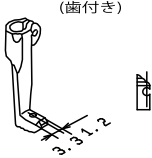

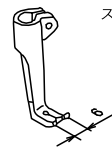

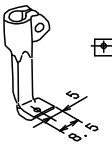

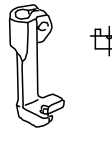

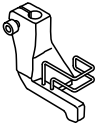

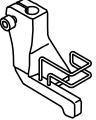

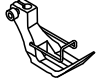


Right-edge presser 右片押え	
Feed foot 送り足	Presser foot asm. 押え足 (組)
	
Part No.	Part No.
B1476-245-00A	B1529-245-0AA
Left-edge presser 左片押え	
	
Part No.	Part No.
103-38309	B1525-563-SA0
	
Part No.	Part No.
B1470-245-000	B1524-245-0A0
For binding テープ付け用	
	
Part No.	
MAQ-09307000	
	
Part No.	Part No.
MAN-10452000	MAQ-093080A0

TABLE OF OPTIONAL GAUGE PARTS (FOR LU-2810A,2810A-7,2818A-7)

For piping パイピング用		
	Feed foot asm. 送り足 (組)	Presser foot asm. 押え足 (組)
		
Size(mm)	Part No.	Part No.
Ø3mm	107-45354	107-47350
Ø4mm	107-45453	107-47459
Ø5mm	107-45552	107-47558
Ø6mm	107-45651	107-47657
	Adjustment type 調整式	
		
Size(mm)	Part No.	Part No.
Ø3mm	107-46352	107-47350
Ø4mm	107-46451	107-47459
Ø5mm	107-46550	107-47558
Ø6mm	107-46659	107-47657

For urethane ウレタン用		
	Feed foot asm. 送り足 (組)	Presser foot asm. 押え足 (組)
	For light-weight urethane 薄いウレタン用 	
	Part No. 107-11653	
	For light-weight urethane 薄いウレタン用 	
	Part No. 107-12354	
	For heavy-weight urethane 厚いウレタン用 	
	Part No. 107-11752	Part No. 107-12750


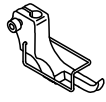



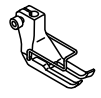

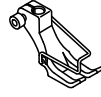


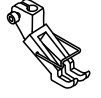

Right-edge presser 右片押え	
Feed foot asm. 送り足 (組)	Presser foot asm. 押え足 (組)
	
Part No. 107-11851	Part No. 107-12859
Left-edge presser 左片押え	
	
Part No. 107-11950	Part No. 107-12958
Wide type 幅広タイプ	
	
Part No. 107-12057	Part No. 107-13055
Control area smallness 押え面積小	
	
Part No. 107-11653	
	
Part No. 107-12354	Part No. 107-58456
For overlapped sections of material 段部用	
	
Part No. 107-11653	
	
Part No. 107-12354	Part No. 107-12651



TABLE OF OPTIONAL GAUGE PARTS (FOR LU-2860S,2860S-7)


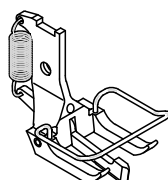

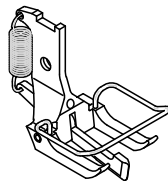

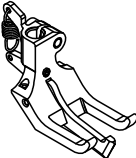
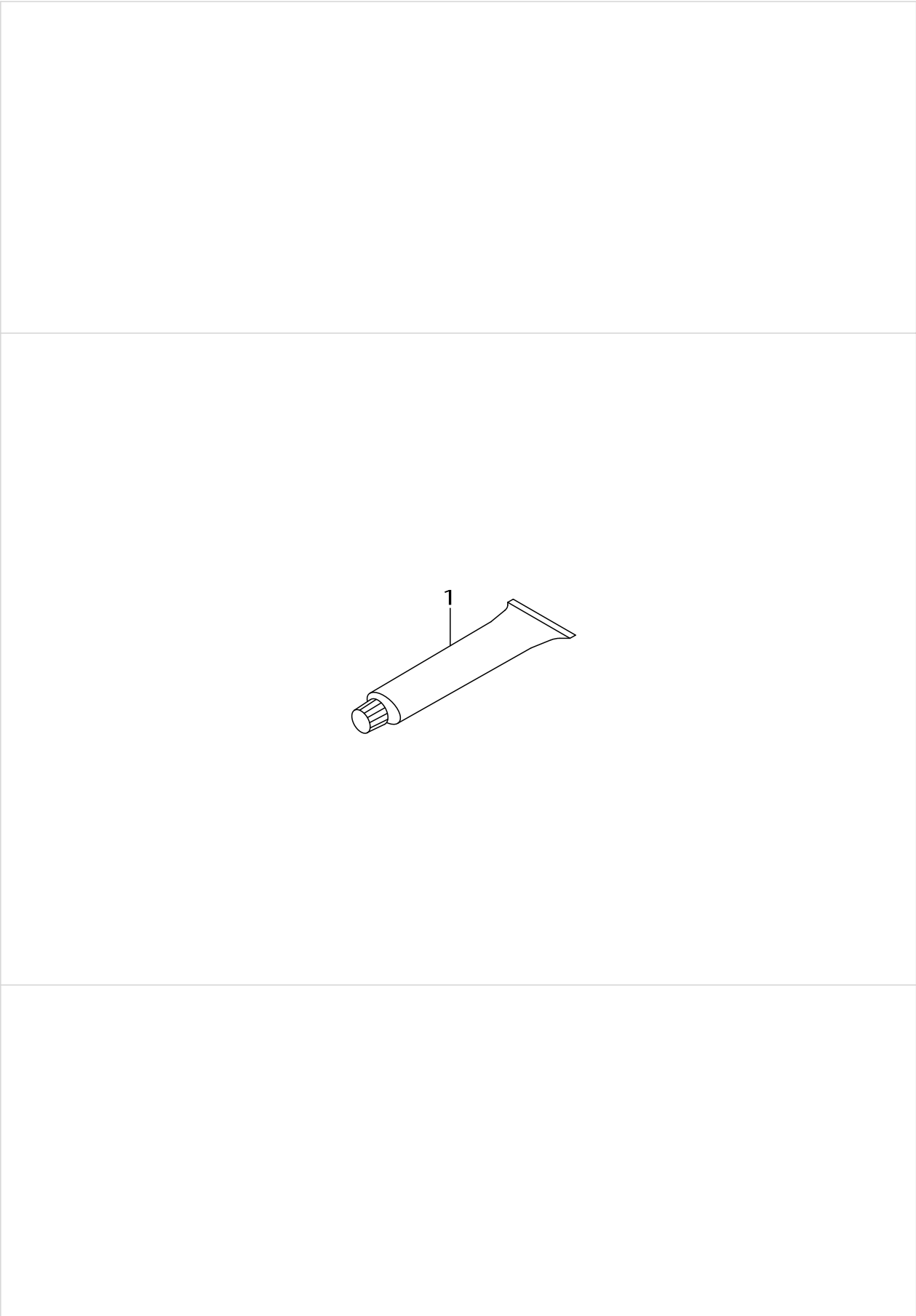
For center guide センターガイド用		
	Feed foot asm. 送り足 (組)	Presser foot asm. 押え足 (組)
		
Size(mm)	Part No.	Part No.
5/16	213-72552	213-74657
3/8	213-72651	213-74756
	 <p style="text-align: center;">Slit スリット入り</p>	
Size(mm)	Part No.	Part No.
5/16	213-73758	213-74657
3/8	213-73857	213-74756

TABLE OF OPTIONAL GAUGE PARTS (FOR LU-2860A,2860A-7,2868A-7)

For center guide センターガイド用		
	Feed foot asm. 送り足 (組)	Presser foot asm. 押え足 (組)
		
Size(mm)	Part No.	Part No.
10mm	400-39271	400-38806
12mm	400-95750	400-38802

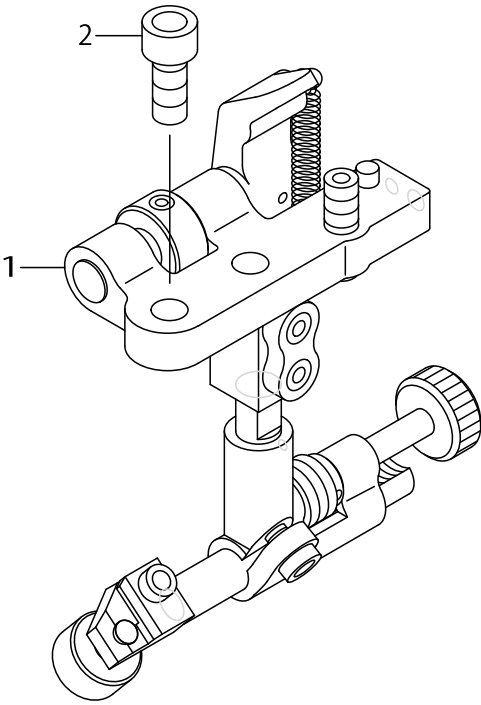
GREASE COMPONENTS (OPTIONAL PARTS)



GREASE COMPONENTS (OPTIONAL PARTS)

No.	Supply Code	Parts No.	Replacement	Parts name	Remarks	Choice	Step	Level	Cons	Qty	Rep. QTY
1		40006323		JUKI GREASE A TUBE						1	

SUSPENSION SQUARE COMPONENTS (OPTIONAL PARTS)



SUSPENSION SQUARE COMPONENTS (OPTIONAL PARTS)

No.	Supply Code	Parts No.	Replacement	Parts name	Remarks	Choice	Step	Level	Cons	Qty	Rep. QTY
1		MAH152010A0		RULER						1	
2		SM6061402TP		SCREW M6 L=14						2	

## HOW TO MAKE USE OF THIS PARTS LIST

1.As to "#01" and "#02" refer to the "Note" given at the bottom of the respective pages.

2.Codes on the "Qty" column

- Each numeral indicates the number of parts required.
- "0.1" and "2.5" indicate the length (in meters) of the respective parts.

3.Parentheses mean that the corresponding part is a subpart that constructs an assembly part.

4.Dotted lines on the Figures indicate assembly parts.

5.As to the parts with marks of "☆"(Consumable parts)and "◎"(optional parts)on the respective parts, it is recommended to prepare spares.

1. リストページの#01、#02の印は、ページ下の"注記"の説明を参照下さい。
2. 数量欄の数字は、個数を表し、0.1、2.5等の数値は、長さ（単位メートル）を表します。
3. 数量欄の（ ）は、組部品を構成している子部品であることを意味します。
4. イラストページの-----枠は、組構成であることを意味します。
5. リストページの"☆"（消耗部品）、"◎"（オプション部品）の印が付いた部品は、予備を準備しておくことをお奨めします。

# NUMERICAL INDEX OF PARTS

PART NO	PAGE	REF NO.	PART NO	PAGE	REF NO.	PART NO	PAGE	REF NO.
10308609	14	47~49	18035907	66	12	22904106	46	35
10320109	82	25	21333901	22	66	22904155	38	52
10539906	110	5	21334800	32	43·44	22904155	46	34
10546901	10	37	21334800	110	1·2	22911804	50	41
10697506	82	14	21338405	12	10~14	22911804	52	41
10697506	84	2	21338504	14	47~49	22911804	56	61
10697605	84	3	21343108	108	13	22911804	58	61
10710804	36	3	21343157	108	11	22912000	52	42
10715704	56	62	21350152	40	74	22912109	50	43
10715704	58	62	21368154	14	50	22912109	52	43
10721306	50	23	21387600	20	52	22912257	82	1
10721504	10	39	21387709	20	53	22912257	86	47
10740900	110	24	21387808	20	54	22913008	40	75
11015906	96	69	21387907	20	55	22913008	46	5
11015906	100	63	21389309	76	69·70	22917009	72	1·2
11072402	84	4	21389408	72	24~27	22921308	92	32
11093606	84	5	21413158	110	3	22921407	92	31
12210803	96	74	21451406	12	10~14	22921506	82	31
12210803	100	86	22528509	82	35	22921506	84	25
12288908	48	70·76	22528509	86	45	22921506	92	28
12938304	82	17	22528806	82	18	22921704	92	29
12938304	84	7	22528806	84	8	22923908	100	49
13142609	94	66	22529408	82	21	22926208	112	42
13142609	96	66	22529408	84	9	22932107	44	11
13142609	98	48	22529515	84	10	22932156	44	10
13142609	100	48	22606206	14	32~39	22932404	108	9
13409107	42	10	22606305	14	32~39	22932453	108	8
13424502	54	70	22606404	14	32~39	22934202	108	16
13424502	56	31	22607600	14	32~39	22934301	108	17
13518501	50	6	22607709	14	32~39	22934400	108	15
13718507	92	16	22607808	14	32~39	22934509	108	14
13765607	94	13	22607907	14	32~39	22934707	108	10
13765607	100	52	22617609	84	11	22935308	94	12·26
13817408	82	6	22617708	84	12	22935308	98	8·26
13817408	84	6	22617807	82	16	22945703	82	19
13860408	90	18	22617807	84	13	22945802	82	22
13951009	42	22	22618201	82	7	22949101	42	17
18035006	52	67·68	22618201	84	14	22951552	2	26
18035006	58	85·86	22618300	84	15	22954309	82	2
18035105	52	67·68	22618706	82	24	22954309	84	40
18035105	58	85·86	22618706	84	16	22956205	72	3·4
18035303	42	13	22618805	84	17	22957104	72	5·6
18035501	62	6	22618904	84	18	22957203	72	7·8
18035709	64	23	22901805	2	6	22958300	110	4
18035709	80	19	22902506	2	16	22963409	82	20



## NUMERICAL INDEX OF PARTS

PART NO	PAGE	REF NO.	PART NO	PAGE	REF NO.	PART NO	PAGE	REF NO.
23534506	54	73	26229302	58	53	40069741	94	17
23600505	4	28·55	26231902	76	64	40075542	32	59
23605207	8	46	26231902	100	54	40075542	34	59
23605207	10	46	26260109	92	2	40075547	32	63
23613409	50	24	26260307	92	3	40075547	34	63
23613409	56	23	26260406	92	4	40075548	32	64
23628357	94	23	26260505	92	6	40075548	34	64
23628357	98	23	26260802	92	8	40077931	52	58
23629306	110	9	26261008	92	9	40077931	58	74
23629405	94	86	26261503	92	11	40079298	110	23
23629405	96	86	32055501	88	6	40079896	32	26
23629405	98	99	40006323	122	1	40079898	32	51
23629405	102	99	40006716	42	2	40079898	34	51
23630007	50	17	40010298	28	18	40079899	32	52
23630007	56	13	40010437	8	22	40079899	34	52
23630007	94	76	40010438	10	23	40079900	32	53
23630007	96	76	40010439	10	24	40079900	34	53
23630007	98	88	40010440	10	25	40079901	32	31
23630007	100	88	40010533	10	42	40079902	32	55
23630106	94	11·83	40010534	10	43	40079902	34	55
23630106	96	11·83	40010535	10	44	40079903	32	56
23630106	98	7·96	40010709	12	1	40079903	34	56
23630106	100	7·96	40011902	10	31	40079904	32	34
23630106	102	7·96	40013595	94	36	40079905	32	35
23630403	94	28	40013595	98	36	40079909	32	60
23630403	98	28	40023627	36	21	40079909	34	60
23630502	94	29	40026457	10	48	40079912	32	65
23630502	98	29	40028116	10	9·52	40079912	34	65
23630601	94	31	40028294	94	21	40082078	44	17
23630601	98	31	40028294	98	9	40084142	2	30
23630650	94	27	40032804	94	34	40084142	4	30
23630650	98	27	40032804	98	45	40085784	104	2
23631708	64	27	40033825	50	26	40085784	106	12
23631708	66	16	40033825	56	24	40085785	104	3
23631807	64	28	40034674	2	10	40085785	106	6
23631807	66	17	40034675	2	9	40085786	104	4
23631906	64	29	40036167	94	24	40085786	106	17
23631906	66	18	40036167	98	24	40085787	104	5
23632102	64	25	40038494	38	35	40085787	106	2
23632102	66	14	40038494	46	33·77	40085788	104	6
23638406	70	2	40038778	14	52	40085788	106	16
23639503	44	23	40042716	2	11	40085789	104	7
26017400	48	71	40048536	110	25	40085789	106	15
26018705	48	62	40052253	18	5	40085790	104	8
26229302	50	28	40052254	66	4	40085790	106	14

# NUMERICAL INDEX OF PARTS

PART NO	PAGE	REF NO.	PART NO	PAGE	REF NO.	PART NO	PAGE	REF NO.
40085791	104	9	40105510	68	2	40112204	84	19
40085791	106	13	40106576	104	31	40112213	64	26
40085792	104	10	40106576	106	10	40112213	66	15
40085792	106	7	40106579	104	26	40112214	112	40
40085793	104	11	40106579	106	11	40112215	68	3
40085793	106	5	40106580	104	30	40112216	68	5
40085794	104	12	40106580	106	9	40112218	82	10
40085794	106	4	40106582	104	25	40112218	84	20
40085795	104	13	40106582	106	8	40112219	82	11
40085795	106	3	40106584	106	1	40112219	84	21
40085796	104	16	40112087	8	1·19	40112224	4	49
40085796	106	20	40112088	8	1·19	40112225	4	50
40086018	42	24	40112091	10	27	40112228	64	9
40086679	88	15	40112092	10	28	40112228	80	9
40088958	92	27	40112093	10	29	40112230	72	13~16
40088959	92	30	40112094	10	30	40112232	72	28·29
40090058	36	17	40112098	46	11	40112233	76	73·74
40090101	54	74	40112106	8	5	40112234	76	71·72
40094561	4	42	40112118	46	18	40112235	72	17·18
40096325	104	14	40112127	44	9	40112240	20	49
40096325	106	21	40112127	50	11	40112242	20	38·39
40096326	104	17	40112127	58	49	40112246	94	15
40096326	106	19	40112128	50	12·13	40112246	100	53
40096327	104	19	40112136	64	1	40112251	74	38·39
40096327	106	18	40112137	64	2	40112252	30	31·36
40101713	96	47	40112137	80	2	40112253	18	3
40101713	98	16	40112138	64	3	40112267	52	55
40101714	96	53	40112138	80	3	40112270	14	27
40101714	98	22	40112140	64	5	40112271	14	28·29
40101715	94	43	40112140	80	5	40112272	14	28·29
40101715	98	12	40112149	64	6	40112273	12	21~23
40101716	94	44	40112149	80	6	40112274	8	10
40101716	98	13	40112150	64	7	40112277	4	45
40101717	96	45	40112151	64	8	40112278	72	19·67
40101717	98	14	40112151	80	8	40112281	50	14
40101719	94	41	40112152	12	19	40112282	50	15·16
40101719	98	10	40112176	36	4	40112285	88	11
40101721	94	40	40112184	42	3	40112288	64	24
40101721	98	40	40112187	42	14	40112288	66	13
40102087	110	6	40112188	42	15	40112293	46	30
40102249	94	42	40112191	62	7	40112296	108	19
40102249	98	11	40112192	62	11	40112299	8	20
40102261	2	4	40112197	38	47	40112312	8	3
40105508	68	1	40112199	38	48	40112313	108	21
40105509	68	4	40112204	82	9	40112314	108	20

# NUMERICAL INDEX OF PARTS

PART NO	PAGE	REF NO.	PART NO	PAGE	REF NO.	PART NO	PAGE	REF NO.
40112318	94	14	40125844	92	25	40126116	50	20
40112318	100	81	40125845	18	1·2	40126116	56	15
40112320	94	1	40125846	18	1·2	40126127	90	11
40112320	98	1	40125847	22	80·81	40126128	90	4·16
40113224	20	61	40125848	22	80·81	40126129	64	31
40116455	96	48	40125850	38	50	40126129	66	20
40116455	98	17	40125851	92	7	40126130	76	66
40116456	96	49	40125852	36	8	40126131	70	5
40116456	98	18	40125854	36	9	40126150	42	4
40116457	96	50	40125856	46	22	40126151	46	15
40116457	98	19	40125857	46	25	40126155	108	1
40116458	96	51	40125858	52	44	40126157	38	69
40116458	98	20	40125858	58	64	40126158	38	70
40116459	96	52	40125859	28	16	40126159	38	68
40116459	98	21	40125860	36	15·16	40126160	38	31
40122887	50	8	40125861	36	15·16	40126161	46	7
40123247	20	46	40125862	20	56	40126166	36	12
40123248	76	75·76	40125864	50	22	40126221	4	32
40123252	46	29	40125867	36	22	40126222	110	20
40123262	36	28	40125868	40	86	40126223	38	34
40123319	36	27	40125869	110	12	40126244	10	8·26
40123320	36	29	40125872	64	4	40126259	70	4
40123321	38	30	40125872	80	4	40126260	70	1
40123332	46	27	40125873	82	4	40126263	88	3
40123340	18	11·12	40125873	86	42	40126264	38	37
40123345	38	72	40125876	38	71	40126265	82	3
40123345	48	67	40125877	40	85	40126265	86	41
40123346	48	68·75	40125879	72	9~12	40126267	110	8
40123414	38	39	40125919	50	3	40126269	38	36
40123416	38	38	40125920	52	39	40126270	44	1
40123428	22	85	40125926	38	46	40126271	44	2
40123547	46	16	40125927	92	13	40126272	44	6
40123555	38	40	40125928	92	24	40126273	44	7
40123626	46	14	40125929	94	35	40126274	44	8
40123627	46	24	40125929	98	35	40126311	92	14
40123628	50	19	40125930	10	32	40126321	8	9·52
40123629	46	17·73	40125934	50	2	40126338	38	33
40123634	36	20	40125935	48	65	40126339	46	28
40123634	46	19	40125936	36	10·11	40126349	4	38
40123639	46	26	40125937	36	10·11	40126351	30	33
40123665	36	7	40125939	10	35·36	40126354	92	10
40123666	46	1	40125943	36	18	40126355	92	1
40123667	46	4	40125948	88	2	40126356	44	3
40123668	46	23	40125949	88	4	40126357	46	12
40125843	46	13	40125950	8	6	40126359	48	66

# NUMERICAL INDEX OF PARTS

PART NO	PAGE	REF NO.	PART NO	PAGE	REF NO.	PART NO	PAGE	REF NO.
40126360	28	15	40126642	58	66	40131956	32	1·2
40126361	28	7	40126643	52	47	40132118	56	78
40126362	50	12·13	40126643	58	68	40132118	58	78
40126363	50	1	40126724	82	13	40132434	72	20~23
40126363	56	1	40126724	84	23	40133612	80	1
40126364	42	6	40127041	12	20	40133655	80	7
40126365	20	42	40127042	12	5~9	40133730	110	30
40126366	20	57	40127049	10	33·34	40133826	56	38
40126367	42	1	40127051	12	5~9	40134105	56	12
40126372	20	37	40127052	12	10~14	40134528	56	5
40126373	82	5	40127054	12	5~9	40134532	10	35·36
40126374	38	45	40127056	4	51	40134545	10	33·34
40126375	46	21	40127345	24	89	40134805	6	53
40126381	18	6·7	40129984	56	3	40134834	6	28·55
40126382	22	78·79	40129985	58	65	40134959	50	30
40126386	46	6	40129986	56	2	40134959	56	35
40126390	38	32	40129988	56	4	40135014	36	23
40126391	28	12·13	40129991	58	50	40135472	28	19·34
40126399	32	22·23	40129995	6	24·56	40135472	30	19·34
40126400	38	49	40129999	58	67	40135473	28	9·38
40126401	46	10	40130001	56	17	40135473	30	9·38
40126402	12	5~9	40130003	56	70	40135474	18	11·12
40126403	12	5~9	40130003	58	70	40135475	28	17·37
40126404	82	12	40130004	56	69	40135475	30	17·37
40126405	110	7	40130004	58	69	40135500	28	8
40126454	22	84	40130005	56	71	40135504	24	90
40126455	22	82	40130005	58	71	40135505	24	88
40126543	108	3	40130006	56	88	40136296	12	15~17
40126545	90	5·15	40130006	58	88	40137431	28	6
40126546	76	19·67	40130277	8	4	40137553	48	17·73
40126547	28	12·13	40130283	90	5·15	40137554	48	68·75
40126549	92	23	40130284	90	4·16	40137612	58	93
40126550	92	12	40130412	56	39	40137612	60	93
40126555	50	15·16	40130702	8	2	40137613	56	14
40126556	84	1	40130703	2	24·56	40137779	48	70·76
40126557	84	22	40130704	2	15	40137780	48	33·77
40126560	108	18	40130705	2	1	40137780	56	36
40126561	50	5	40130706	2	21·54	40137921	74	38·39
40126562	88	14	40130819	58	87			68~
40126563	88	13	40130820	56	89	40138418	24	77·93~
40126582	96	82	40130820	58	89			110
40126582	100	95	40131580	110	29	40138419	24	68~
40126582	102	95	40131887	50	4			77·93~
40126594	92	5	40131887	56	46			110
40126642	52	46	40131916	110	27	40138420	24	68~
								77·93~
								110

NUMERICAL INDEX OF PARTS

PART NO	PAGE	REF NO.	PART NO	PAGE	REF NO.	PART NO	PAGE	REF NO.
40138421	24	68~ 77·93~ 110	40143581	24	68~ 77·93~ 110	40149033	34	50
40138422	24	68~ 77·93~ 110	40143581	26	68~ 77·93~ 110	40149034	34	54
40138422	26	68~ 77·93~ 110	40143624	54	69	40149035	34	57
40138423	24	68~ 77·93~ 110	40143624	56	32	40149036	34	58
40138423	26	68~ 77·93~ 110	40143626	46	2	40149037	34	62
40139042	24	35·87	40144283	42	5	40149038	34	48
40139043	20	35·87	40144286	36	5·6	40149115	40	87~90
40139345	88	1	40144287	36	5·6	40149116	40	87~90
40142199	50	21	40144288	36	1·2	40149117	40	87~90
40142200	52	49	40144289	36	1·2	40149118	40	87~90
40142201	52	51	40145548	38	42~44	40149120	40	91~94
40142208	64	10	40145549	38	42~44	40149121	40	91~94
40142208	80	10	40145550	38	42~44	40149122	40	91~94
40142213	104	1	40147913	34	66·67	40149123	40	91~94
40142430	110	13	40147913	112	34·35	40149125	40	95~98
40143069	108	4	40147915	28	1·2	40149126	40	95~98
40143070	108	5	40147918	4	47	40149127	40	95~98
40143071	108	6	40147919	6	57	40149128	40	95~98
40143082	18	20	40147940	72	20~23	40150131	4	44
40143083	8	11	40147941	72	13~16	40151455	110	14·15·26
40143084	18	17	40147942	72	9~12	40151456	110	14·15·26
40143085	48	51	40147943	72	24~27	40151457	110	14·15·26
40143086	18	40·41	40147946	66	1	40151458	112	33
40143086	20	40·41	40147947	66	2	40151488	8	8·26
40143087	48	50	40147948	66	3	40151791	92	15
40143088	8	16	40147956	96	78	40151799	6	58
40143185	24	68~ 77·93~ 110	40147956	100	91	40151800	110	11
40143185	26	68~ 77·93~ 110	40147985	34	45·46	40151801	110	18
40143188	24	68~ 77·93~ 110	40148031	32	24	40151802	112	36
40143188	26	68~ 77·93~ 110	40148032	32	25	40151803	112	37
40143220	12	10~14	40148033	32	27	40151804	112	38
40143221	14	47~49	40148034	32	28	40151805	112	39
40143553	90	14	40148035	32	29	40152022	92	35
			40148036	32	30	40152451	12	2
			40148037	32	61	40154199	36	19
			40148037	34	61	40154226	12	15~17
			40148038	32	39	40154227	12	15~17
			40148039	32	3	40155295	76	77~ 86·98~ 101
			40148040	32	4	40155296	76	77~ 86·98~ 101
			40148283	6	21·54	40155297	76	77~ 86·98~ 101
			40149030	34	47			
			40149032	34	49			

NUMERICAL INDEX OF PARTS

PART NO	PAGE	REF NO.	PART NO	PAGE	REF NO.	PART NO	PAGE	REF NO.
		77~	B1140761000	96	84	B3214047000	84	32
40155298	76	86·98~	B1140761000	102	97	B3538112000	18	92
		101	B125578100A	46	32	B3538112000	24	92
		77~	B1308055000	20	58	B4122804000	56	48
40155299	76	86·98~	B1310055000	20	59	B4122804000	58	48
		101	B1314055000	20	60	B91210120A0	110	16
40155301	76	87~	B1401053000	12	10~14	BT0400251EB	42	12
		96·102	B1411053000	12	21~23	BT0400251EB	52	52·53
		~105	B1411521000	12	21~23	BT0400251EB	58	75·76
40155301	78	87~	B1412051000	14	40	BT0400251EB	62	2
		96·102	B1438512B00	14	32~39	BT0400251EB	64	13
		~105	B1504210000	62	1	BT0400251EB	66	6
40155302	76	87~	B1516210D00	110	19	BT0400251EB	80	13
		96·102	B152652700G	56	63	BT0600401EB	90	1
		~105	B152652700G	58	63	BT0800501EB	90	2
40155302	78	87~	B1639051000	20	50	CM300200001	2	5·14
		96·102	B1834512000A	98	46	CM600100101	4	43
		~105	B1843563000	94	58	CM600100201	110	10
40155303	76	87~	B1843563000	96	58	CQ202000000	38	83
		96·102	B1843563000	98	34	CQ202000000	40	83
		~105	B2508047000	72	32·33	CQ202000000	46	48
40155303	78	87~	B2508047000	74	32·33	CQ202000000	48	48
		96·102	B255728000A	22	68~	CQ202000000	96	68
		~105			77·93~	CQ202000000	98	68
		87~			110	CQ202000000	100	68
40155303	78	96·102	B255728000B	22	68~	CQ252000000	14	45
		~105			77·93~	CQ252000000	38	79
40155305	78	87~			110	CQ252000000	40	79
		96·102	B255728000C	22	68~	CQ303000000	94	73
		~105			77·93~	CQ303000000	96	73
40155370	96	79			110	CQ303000000	100	90
40155370	102	92	B255728000D	22	68~	CS1201171TP	44	22
40155371	96	80			77·93~	CS1201171TP	54	71
40155371	102	93			110	CS1201171TP	56	33
40155440	96	81	B255728000E	22	68~	CS1701181TP	12	3
40155440	102	94			77·93~	D1231555B00	38	51
		87~	B3010141H00	28	11	D1231555B00	46	31
40157625	78	96·102	B3031141H00	62	3	D2112555B00	4	40
		~105	B3112704000	82	8	D2464555B00	64	11
		87~	B3112704000	84	24	D2464555B00	80	11
40157626	78	96·102	B31375270A0	82	15	D2629M1YC0F	50	27
		~105	B31375270A0	84	26	D2629M1YC0F	58	52
40157628	78	86·98~	B3138527000	84	27	E2613700000	36	26
		101	B3139527000	84	28	E8760452D00	70	6
		77~	B3141527000	84	29	EA9500B0100	52	45
40157629	78	86·98~	B3142527000	84	30			
		101	B3143527000	84	31			
B111105100B	6	52						
B1111563000	4	35						
B1132521000	2	12						

# NUMERICAL INDEX OF PARTS

PART NO	PAGE	REF NO.	PART NO	PAGE	REF NO.	PART NO	PAGE	REF NO.
EA9500B0100	58	91	NS6110310SP	98	47	RO098240100	94	37
EA9500B0100	64	32	NS6110310SP	100	47	RO098240100	98	37
EA9500B0100	66	21	NS6150430SP	66	28	SB108002400	10	40
EA9500B0100	76	68	NS6680410SP	48	63	SB115002200	22	86
EA9500B0100	88	16	PA200150900	52	66	SB120001800	8	13
EA9500B0100	90	17-23	PA200150900	58	84	SB120001800	20	47
EA9500B0100	96	56	PA250250900	62	12	SB120002700	10	45
EA9500B0100	100	78	PA250250900	66	5	SB125000600	38	58
EA9500B0200	90	12-13	PA400150200	42	16	SD0380556TL	2	13
HA004680000	70	7	PF055107000	90	20	SD0450401SP	82	27
HK063610220	70	10	PJ020500002	90	27	SD0450401SP	84	35
HK075230000	70	9	PJ025100003	90	19	SD0460576TP	72	30-31
HW000840040	70	8	PJ046052503	52	54	SD0500803TP	44	16
HX00150000B	110	22	PJ046052503	58	77	SD0550271TP	88	8
HX00150000C	90	6	PJ046052503	64	14	SD0640322TP	20	62
HX00150000H	90	8	PJ046052503	66	7	SD0650321TP	74	42-43
HX00150000M	90	9	PJ046052503	80	14	SD0651301TH	74	34-35
HX00150000M	96	54	PJ304040504	62	5	SD0791271SP	66	22
HX00150000M	100	76	PJ304045102	42	21	SD0800321TH	64	16
M13517B1600	14	30-31	PJ304065101	90	21	SD0800321TH	80	16
M13517B1602	110	17	PS0350102KR	52	50	SD0800341SP	64	17
MAH152010A0	124	1	PX050501000	66	25	SD0800341SP	80	17
MAO11532000	110	32	RC0150001KP	38	53	SD0800346TP	52	57
NM6030001SC	88	7	RC0150001KP	46	37	SD0800346TP	58	79
NM6040002SC	104	27	RC0560711KP	28	3-4	SD0800406TP	66	24
NM6040002SC	106	25	RC0560711KP	92	17	SD0802126TP	36	24
NM6050001SD	44	21	RC0650811KP	48	49	SD0900426TP	52	48
NM6050001SD	50	29	RC0740816K0	18	15-16	SD0900426TP	58	80
NM6050001SD	58	54	RC2351018KP	18	13-14	SD1000406TP	44	19
NM6050001SE	104	24	RE0320000K0	62	4	SD1021251SP	46	20
NM6050001SE	106	26	RE0400000K0	42	23	SK3412000SC	108	22
NM6050001SP	90	26	RE0400000K0	64	15	SK3482001SE	90	24
NM6050003SC	96	60	RE0400000K0	80	15	SK3482001SE	108	2
NM6060001CP	66	9	RE0500000K0	20	51	SL4040691SC	70	11
NM6060001SC	66	26	RE0500000K0	28	20	SL4040881SC	50	31
NM6060001SD	36	25	RE0500000K0	38	57	SL4040881SC	56	26
NM6060001SE	44	18	RE0500000K0	82	36	SL4041091SC	90	3
NM6120001CP	96	88	RE0500000K0	86	46	SL4041091SC	96	55
NM6120001CP	102	101	RE1000000K0	44	15	SL4041091SC	100	77
NS6110310SP	44	14	RE1200000K0	46	38	SL4041491SC	68	6
NS6110310SP	74	40-41	RO037180100	82	26	SL4051091SC	64	18
NS6110310SP	82	23	RO037180100	84	34	SL4051091SC	80	18
NS6110310SP	84	33	RO092270200	52	56	SL6051092TN	94	38
NS6110310SP	94	63	RO092270200	56	55	SL6051092TN	98	38
NS6110310SP	96	63	RO092270200	58	55	SL6052592TN	8	17

NUMERICAL INDEX OF PARTS

PART NO	PAGE	REF NO.	PART NO	PAGE	REF NO.	PART NO	PAGE	REF NO.
SM0030601SC	92	18	SM6031202TP	92	20	SM6051602TP	58	59
SM0050801SC	38	61	SM6031202TP	96	46	SM6051602TP	74	50·51
SM0051001SC	92	34	SM6031202TP	98	15	SM6051802TP	42	8
SM1040750TP	4	34	SM6040502TP	18	91	SM6052002TP	56	30
SM1051052TN	4	37	SM6040502TP	24	91	SM6054502TN	42	20
SM1061201SN	20	63	SM6040602TP	18	24·25	SM6054502TP	62	10
SM4021601SN	70	3	SM6040602TP	108	7	SM6055002TP	66	10
SM4030601SN	36	13	SM6040650TP	12	18	SM6056552TP	64	22
SM4040655SP	4	36	SM6040650TP	18	83	SM6056552TP	80	22
SM4040655SP	76	65·97	SM6040650TP	22	83	SM6061002TP	4	46
SM4040855SP	4	27	SM6040650TP	38	59	SM6061002TP	62	8
SM4040855SP	78	65·97	SM6040650TP	48	69·74	SM6061002TP	64	12
SM4040855SP	90	10	SM6040802TP	28	23	SM6061002TP	80	12
SM4040855SP	94	22	SM6040802TP	56	42	SM6061010TP	52	60
SM4041201SC	104	29	SM6040802TP	74	48·49	SM6061010TP	58	82
SM4041201SC	106	22	SM6040802TP	94	16	SM6061202TP	38	62
SM4042501SC	104	28	SM6040802TP	100	80	SM6061402TP	48	61
SM4042501SC	106	23	SM6040860TP	92	19	SM6061402TP	124	2
SM4050501SC	14	41	SM6041002TP	74	36·37	SM6061602TP	42	19
SM4050655SP	6	61	SM6041202TP	66	27	SM6061602TP	48	52
SM4050655SP	110	31	SM6041402TP	56	45	SM6061602TP	52	61
SM4050855SP	2	41	SM6041802TP	56	73	SM6061602TP	58	83
SM4050855SP	4	41	SM6041802TP	58	73	SM6061602TP	62	9
SM4050855SP	50	32	SM6041802TP	96	67	SM6061802TP	18	27·28
SM4050855SP	64	19	SM6041802TP	98	50	SM6061802TP	20	27·28
SM4050855SP	66	8	SM6041802TP	100	50	SM6061802TP	48	53
SM4050855SP	82	37	SM6050800SP	48	72	SM6061802TP	96	61
SM4050855SP	86	48	SM6050802TP	42	9	SM6061802TP	100	75
SM4050855SP	96	87	SM6050802TP	52	59	SM6062002TP	38	63
SM4050855SP	102	100	SM6050802TP	58	81	SM6081552TP	42	18
SM4050855SP	110	21	SM6050802TP	64	20	SM6082002TP	66	11
SM4051001SN	82	33	SM6050802TP	80	20	SM8040412TP	4	48
SM4051001SN	86	43	SM6051000SP	38	60	SM8040412TP	38	64
SM4051055SP	2	25·59	SM6051202TP	44	4	SM8040412TP	48	54
SM4051055SP	4	25·59	SM6051202TP	52	34	SM8040612TP	28	25
SM4051055SP	6	25·59	SM6051202TP	58	58	SM8050412TP	20	29·30
SM4051055SP	10	49	SM6051202TP	90	22	SM8050412TP	52	64
SM4051055SP	108	24	SM6051400SP	44	5	SM8050412TP	56	47
SM4051255SP	88	12	SM6051400SP	52	33	SM8050412TP	58	47
SM4051405SE	104	23	SM6051400SP	58	57	SM8050502TP	92	21
SM4051405SE	106	24	SM6051402TP	20	34	SM8050512TP	94	39
SM4055501SC	2	3	SM6051402TP	64	21	SM8050512TP	98	39
SM6030602TP	14	25	SM6051402TP	80	21	SM8050612TP	28	29·35
SM6030602TP	74	46·47	SM6051402TP	112	41	SM8050612TP	30	29·35
SM6030602TP	88	9	SM6051602TP	52	62	SM8050612TP	36	14



NUMERICAL INDEX OF PARTS

PART NO	PAGE	REF NO.	PART NO	PAGE	REF NO.	PART NO	PAGE	REF NO.
SM8050612TP	48	57	SS7060610SP	74	54·55	WP0550800SP	76	62·63
SM80506A2TP	20	32	SS7080510TP	14	42	WP0612066SP	28	5·21
SM8050812TP	8	7	SS7090510SP	84	37	WP0621016SD	66	23
SM8050812TP	48	56	SS7090910TP	12	24	WP0621036SP	58	56
SM8050842TP	48	55	SS7110740TP	64	30	WP0651001SC	38	73
SM8051002TP	92	33	SS7110740TP	66	19	WP0740516SP	28	10·39
SM8060552TP	38	66	SS8080310TP	16	53	WP0740516SP	30	10·39
SM8060612TP	10	50	SS8080410TP	14	46	WP0740516SP	46	64
SM8060612TP	12	4	SS8090670SP	28	28	WP0740516SP	48	64
SM8060612TP	28	26·27	SS8110422TP	46	39	WP0820516SP	10	38
SM8060612TP	38	65	SS8110422TP	74	56·57	WP1612616SE	104	15
SM8060612TP	42	7	SS8111010TP	22	64	WP1612616SE	106	27
SM8060612TP	44	24	SS8151550SP	8	21	WP1751616SD	54	72
SM8060612TP	48	58	SS8660610TP	46	36	WS0451040KP	92	26
SM8060612TP	50	77	SS8660612TP	22	67	WS0510002KN	90	25
SM8060612TP	52	77	SS8661012TP	82	34	WS0510002KN	104	21
SM8060612TP	54	77	SS8661012TP	86	44	WS0510002KN	106	29
SM8060612TP	56	94	TA0500301R0	14	43	WT0530002KS	6	60
SM8060612TP	58	94	TA0620504R0	14	44	WT1780011KP	50	25
SM8060612TP	60	94	TA0750404R0	54	75	WT1780011KP	56	40
SM8060812TP	8	41	TA1030402R0	2	17	WZ1052010KP	42	11
SM8060812TP	10	41	TA1250406R0	2	19			
SM8060812TP	20	48	TA1270502R0	2	18			
SM8060812TP	48	59	TA1550902R0	4	39			
SM8060812TP	74	52·53	TA1550902R0	54	78			
SM80608A2TP	8	47	TA1650406R0	2	7			
SM80608A2TP	10	47	WP0320501SC	74	58·59			
SM80608A2TP	38	99	WP0320501SE	88	10			
SM80608A2TP	40	99	WP0430800SD	40	84			
SM8063012TR	44	13	WP0430800SD	100	51			
SM8080812TP	10	51	WP0431005SP	56	90			
SM9061203SE	108	12	WP0431005SP	58	90			
SM9061853SR	44	20	WP0450000SD	74	60·61			
SQ2050452MZ	96	57	WP0450000SD	76	60·61			
SS2060310SP	14	26	WP0450801SP	92	22			
SS3090710TP	82	28	WP0450801SP	96	85			
SS4090515SP	88	5	WP0450801SP	102	98			
SS4110615SP	82	29	WP0450846SP	94	20			
SS4110615SP	84	36	WP0460556SD	82	32			
SS6090410TP	14	51	WP0460556SD	84	39			
SS6090910TP	38	67	WP0501016SD	82	30			
SS6111052TP	48	60	WP0501016SD	84	38			
SS6121210SP	56	60	WP0501016SD	108	23			
SS6121210SP	58	60	WP0531001SC	104	22			
SS6121860SP	52	65	WP0531001SC	106	28			