

MODEL : AMS-251

List No : 1694-00

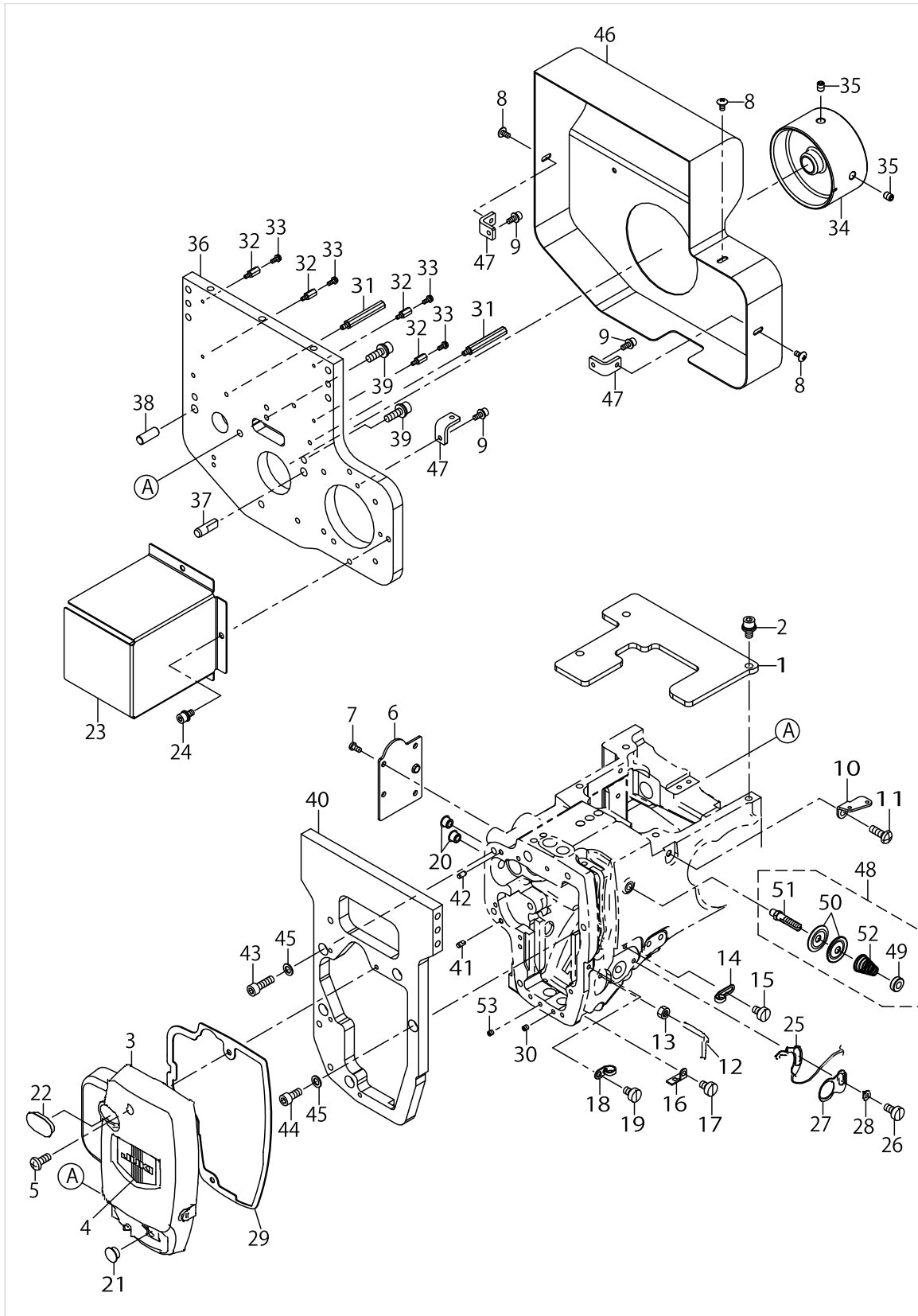
PARTS LIST

Published:05/12/2017

CONTENTS

FRAME & MISCELLANEOUS COVER COMPONENTS	1
MAIN SHAFT & NEEDLE BAR COMPONENTS	5
PRESSER VARIABLE COMPONENTS (1)	9
PRESSER VARIABLE COMPONENTS (2)	13
TENSION RELEASE & THREAD TENSION COMPONENTS	17
THREAD STAND COMPONENTS	19
MAIN BODY FRAME COMPONENTS	21
WORKPIECE CLAMP JIG COMPONENTS	25
Y-AXIS BALL SCREW DRIVE COMPONENTS	27
X-AXIS FRAME COMPONENTS	31
Y-AXIS MOTOR DRIVE COMPONENTS	35
X-AXIS BALL SCREW DRIVE COMPONENTS	37
SEWING MACHINE HEAD FRAME COMPONENTS	39
MAIN TABLE COMPONENTS	41
BOBBIN TAKEOFF OPENING COMPONENTS	45
HEAD TIME MOTION COMPONENTS	49
HOOK PART TIME MOTION COMPONENTS (1)	55
HOOK PART TIME MOTION COMPONENTS (2)	59
HOOK SHAFT COMPONENTS	61
SHUTTLE DRIVER SHAFT & THREAD TRIMMER MECHANISM COMPONENTS	65
BOBBIN THREAD WIDING DEVICE COMPONENTS	69
HOW TO MAKE USE OF THIS PARTS LIST	73

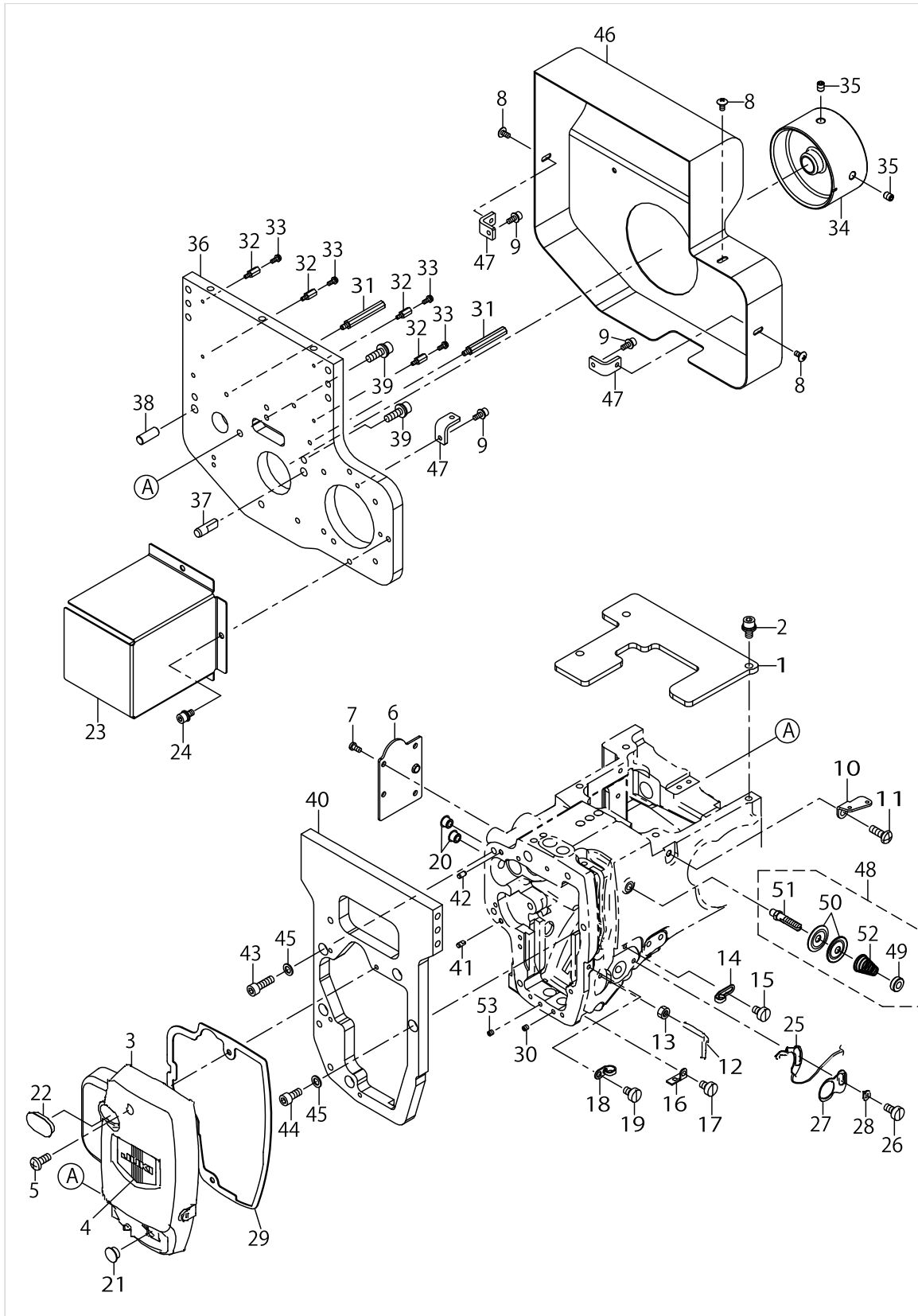
FRAME & MISCELLANEOUS COVER COMPONENTS



FRAME & MISCELLANEOUS COVER COMPONENTS

No.	Supply Code	Parts No.	Replacement	Parts name	Remarks	Choice	Step	Level	Cons	Qty	Rep. QTY
1		40175624		UPSIDE COVER						1	
2		SL6061292TN		SCREW						3	
3		40026979		FACE_COVER						1	
4		22902506		PLATE						1	
5		SM4041055SP		SCREW						2	
6		40175625		PRESSER COVER						1	
7		SM4040855SP		SCREW						4	
8		SM0040801SC		SCREW						5	
9		SL6041092TN		SCREW						3	
10		26211904		THREAD GUIDE PLATE						1	
11		SM4061255SP		SCREW M6 L=12						1	
12		40025414		L_SHAPED_THREAD_GUIDE						1	
13		NM6040000SN		NUT M4						1	
14		22920508		ARMTHREADGUIDEA						1	
15		SM6040650TP		SCREW						1	
16		B1129210000		FRAME THREAD GUIDE (B)						1	
17		SM6040650TP		SCREW						1	
18		13705108		TAKE-UP THREAD GUIDE B						1	
19		SM6040650TP		SCREW						1	
20		TA0850604R0		RUBBER PLUG						2	
21		TA1050504R0		RUBBER PLUG						1	
22		40028877		FACE_COVER_CAP						1	
23		40175658		MOTOR COVER						1	
24		SL6051092TN		SCREW M5 L=10						3	
25		40032511		THB_SENSOR_CABLE_ASM						1	
26		SM6040860TP		SCREW M4 L=8						1	
27		40028834		GUIDE_PLATE						1	
28		40028835		BUSHING						1	
29		40050509		FACE PLATE CUSHION						1	
30		SM8040412TP		SET SCREW M4 L=4						1	
31		40091617		SPACER_BSU_444						2	
32		HX00354000F		BOARD SUPPORT						4	
33		SL4030881SC		SCREW M3 L=8						4	
34		40050540		HAND_WHEEL						1	
35		SM8060812TP		SCREW M6 L=8						2	
36		40175637		ARM SUPPORT FRAME A						1	
37		40074735		UNITE_PIN						1	
38	D	13748009		KNIFE BAR DRIVING ROD SHAFT						1	
39		SL6062092TN		SCREW M6 L=20						4	
40		40175638		ARM SUPPORT FRAME B						1	
41		13301908		DOWEL PIN						1	
42		13302500		DOWEL PIN 2						1	
43		SM6062002TP		SCREW M6 L=20						4	
44		SM6061402TP		SCREW M6 L=14						1	
45		WP0651056SD		WASHER 6.5X11X1						5	
46		40175659		BELT COVER						1	

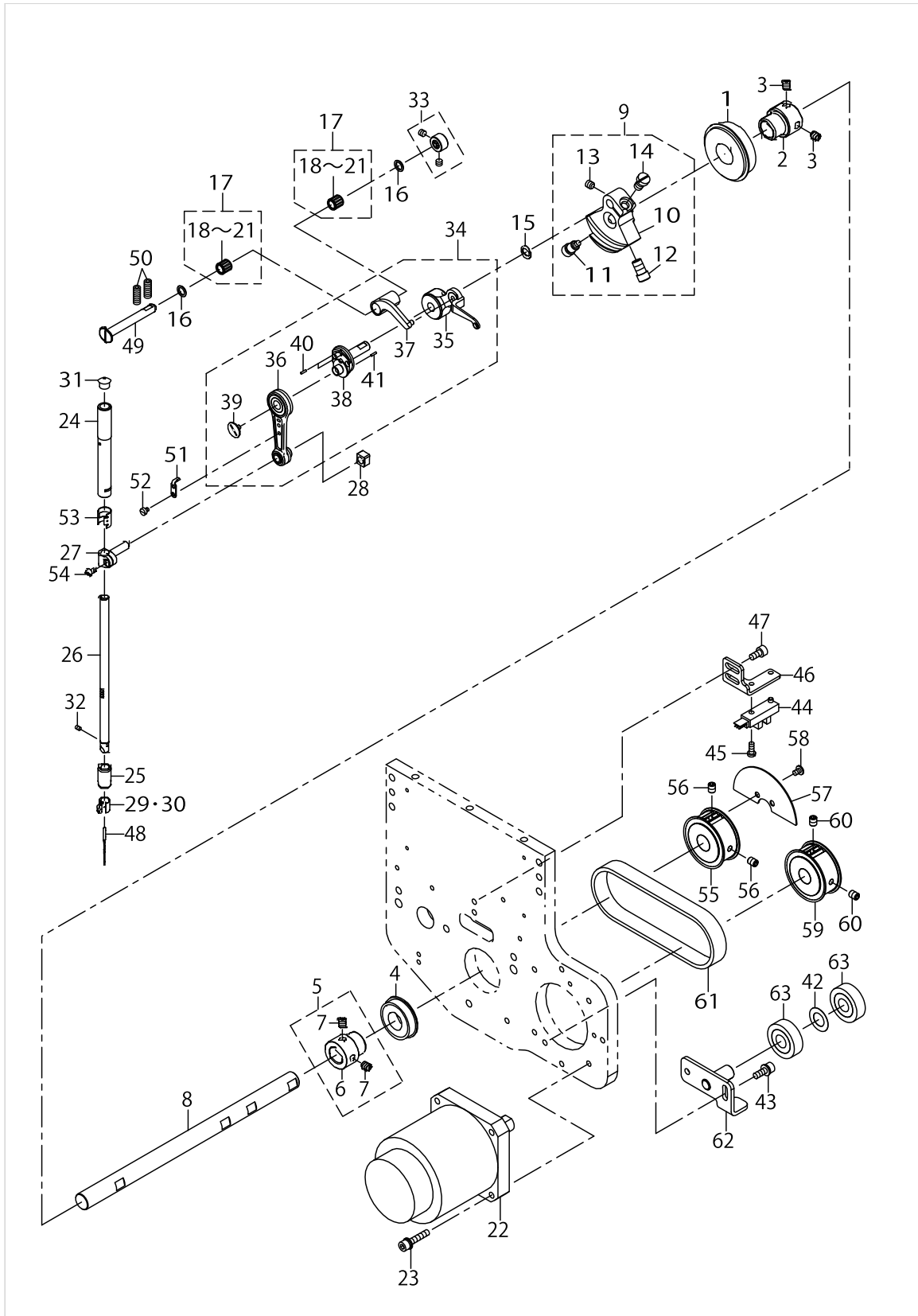
FRAME & MISCELLANEOUS COVER COMPONENTS



FRAME & MISCELLANEOUS COVER COMPONENTS

No.	Supply Code	Parts No.	Replacement	Parts name	Remarks	Choice	Step	Level	Cons	Qty	Rep. QTY
47		40175660		COVER ANGLE						3	
48		40010503		THREAD_TENSION_1_ASM						1	
49		22928808		NUT				*		1	
50		22921506		THREAD TENSION DISK				*		2	
51	R	40010504	40010503	THREAD_TENSION_SHAFT				*		1	1.00
52		26218602		FIRST THREAD TENSION SPRING				*		1	
53		SM8040412TP		SET SCREW M4 L=4						1	

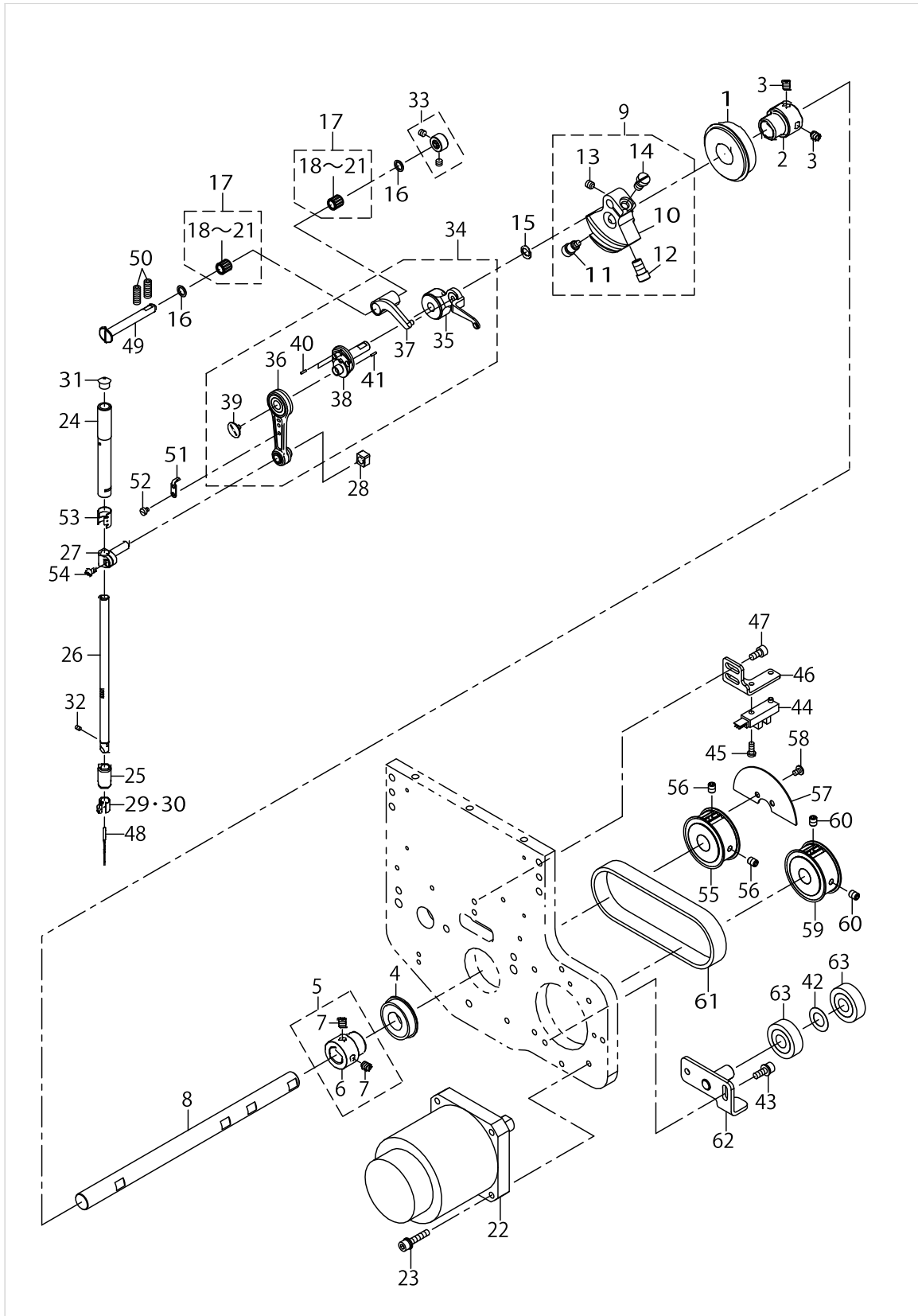
MAIN SHAFT & NEEDLE BAR COMPONENTS



MAIN SHAFT & NEEDLE BAR COMPONENTS

No.	Supply Code	Parts No.	Replacement	Parts name	Remarks	Choice	Step	Level	Cons	Qty	Rep. QTY
1		SB120000900		BEARING						1	
2		23604200		MAIN SHAFT BEARING SUPPORT						1	
3		SM8060812TP		SCREW M6 L=8						2	
4		SB120001800		BEARING						1	
5		40010415		BEARING_BUSH_A_ASM.						1	
6		40010416		BEARING_BUSH_A				*		1	
7		40010417		BEARING_BUSH_SCREW				*		2	
8		40175628		MAIN SHAFT						1	
9		40175629		COUNTER WEIGHT ASM.						1	
10		40175630		COUNTER WEIGHT				*		1	
11		40010424		COUNTER_WEIGHT_SCREW_A				*		1	
12		40010425		COUNTER_WEIGHT_SCREW_B				*		1	
13		40010426		COUNTER_WEIGHT_SCREW_C				*		1	
14		40010427		COUNTER_WEIGHT_SCREW_D				*		1	
15		WP0820516SP		WASHER 11.6X8.2X0.6						1	
16		22891204		BEARING SUPPORT						2	
17	R	40008339	SB30700020A	P=T NEEDLE BEARING SELECTIVE P	SELECTIVE PARTS	A				2	1.00
17	R	40008339	SB30700020B	P=T NEEDLE BEARING SELECTIVE P	SELECTIVE PARTS	B				2	1.00
17	R	40008339	SB30700020C	P=T NEEDLE BEARING SELECTIVE P	SELECTIVE PARTS	C				2	1.00
17	R	40008339	SB30700020D	P=T NEEDLE BEARING SELECTIVE P	SELECTIVE PARTS	D				2	1.00
18		SB30700020A		BEARING				*		1	
19		SB30700020B		BEARING				*		1	
20		SB30700020C		BEARING				*		1	
21		SB30700020D		BEARING				*		1	
22		40176084		AC SERVO MOTOR ASM						1	
23		SL6052592TN		BOLT						4	
24		40077604		NEEDLE_ROD_METAL						1	
25		40077605		NEEDLE_ROD_LOWER_METAL						1	
26		40026882		NEEDLE_BAR						1	
27		40175631		NEEDLE BAR CLAMP						1	
28		B1414555000		SLIDE BLOCK						1	
29		B1405210000		THREAD GUIDE A	TYPE S				☆	1	
30		40026884		NEEDLE_BAR_SHREAD_GUIDE_H	TYPE H				☆	1	
31		22901409		NEEDLE BAR UPPER BUSH CAP						1	
32		SM8030412TP		SCREW						1	
33		40010434		THRUST_COLLAR_ASM.						1	
34		40175666		THREAD TAKE UP COMPL.						1	
35		40175632		THREAD TAKE UP LEVER ASM.				*		1	
36		40175669		NEEDLE_BAR_CRANK_ROD_ALL_ASM.				*		1	
37		40175635		THREAD_TAKE_UP_CRANK				*		1	
38		40175636		NEEDLE_ROD_CRANK				*		1	
39		B1903552000		LEFT SCREW				*		1	
40		40096204		P=PIN	SELECTIVE PARTS			*		2	
41		40096208		P=PIN	SELECTIVE PARTS			*		1	

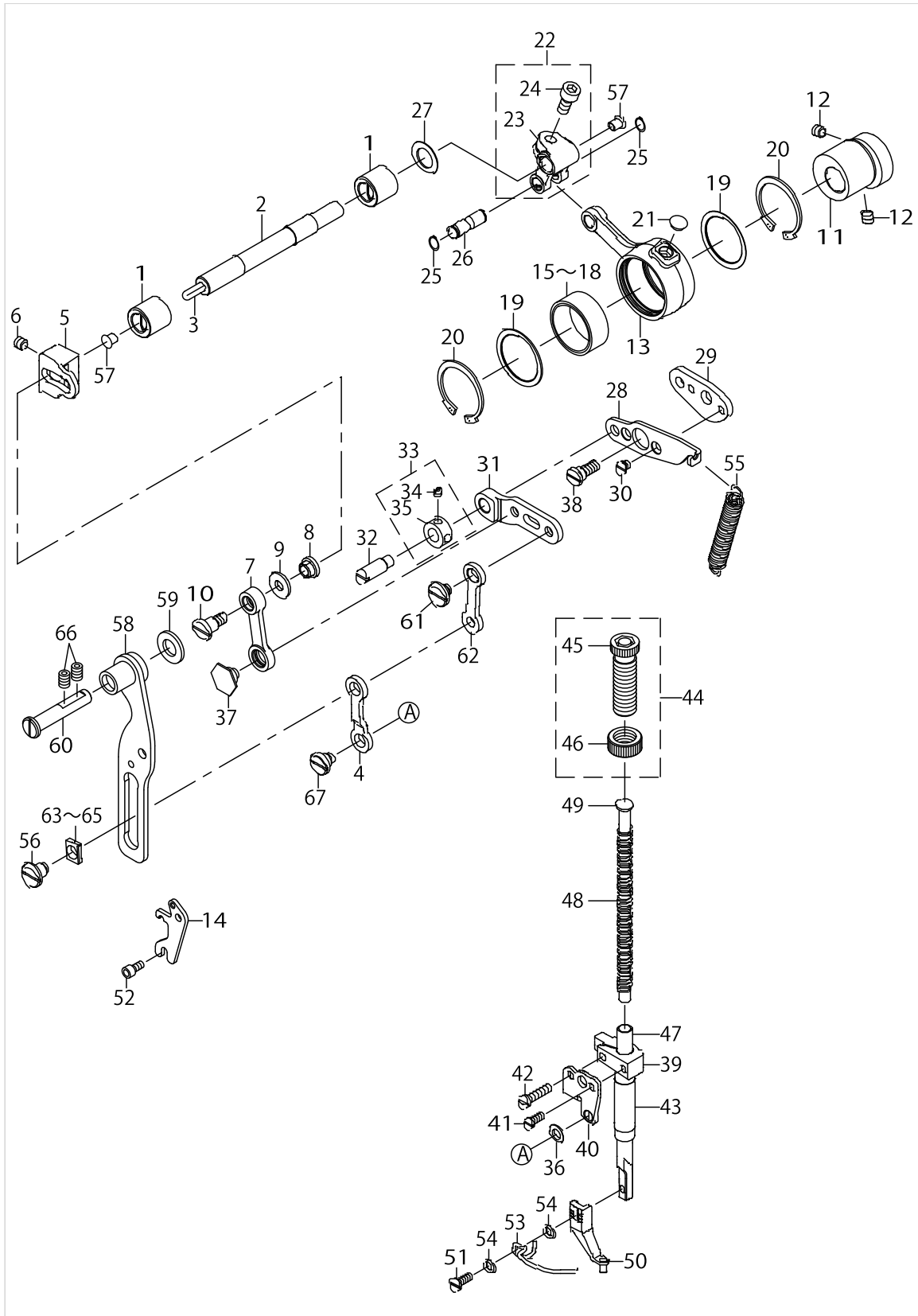
MAIN SHAFT & NEEDLE BAR COMPONENTS



MAIN SHAFT & NEEDLE BAR COMPONENTS

No.	Supply Code	Parts No.	Replacement	Parts name	Remarks	Choice	Step	Level	Cons	Qty	Rep. QTY
42		B2537221D00		Y DRIVE WHEEL SPACER						1	
43		SL6051492TN		BOLT						2	
44		HD002230000		PHOTO SENSOR						1	
45		SM4041055SP		SCREW						1	
46		40175647		SENSOR BRACKET						1	
47		SM6051002TP		SCREW M5X0.8 L=10						2	
48		MDP170B2300		NEEDLE DPX17 #23					☆	1	
49		40078079		THREAD_TAKE_UP_CRANK_SHAFT						1	
50		SM8061612TP		SCREW M6X16						2	
51		40078107		KNIFE						1	
52		SM6030450TP		SCREW M3 L=4						2	
53		40078160		NEEDLE_ROD_META- L_GREASE_COVER						1	
54		SS6090670TP		SCREW 9/64-40 L=6						1	
55		40175640		MAIN SHAFT SPROCKET						1	
56		SM8060812TP		SCREW M6 L=8						2	
57		40175641		SENSOR SLIT						1	
58		SM6040650TP		SCREW						2	
59		40175642		MOTOR SHAFT SPROCKET						1	
60		SM8060812TP		SCREW M6 L=8						2	
61		40175643		TIMINGBELT						1	
62		40175644		IDOLER PLATE ASSY						1	
63	R	SB112000300	SB1120003C0	BEARING						2	1.00

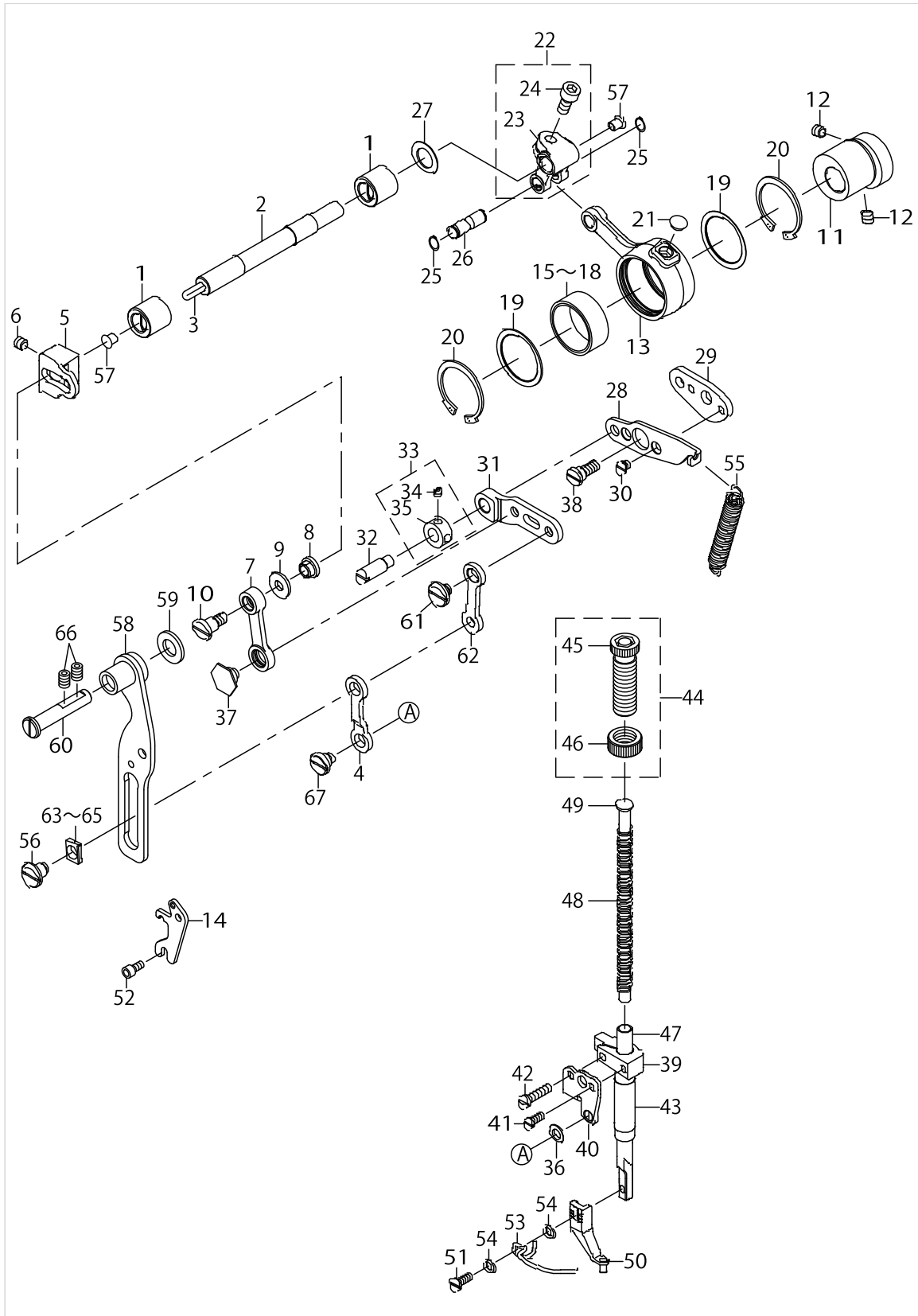
PRESSER VARIABLE COMPONENTS (1)



PRESSER VARIABLE COMPONENTS (1)

No.	Supply Code	Parts No.	Replacement	Parts name	Remarks	Choice	Step	Level	Cons	Qty	Rep. QTY
1		40025431		BUSHING						2	
2		40025427		INTERMEDIATE_PRESSER_SHAFT						1	
3		CQ303000000		OIL WICK						.1	
4		40030617		INTERMEDIATE_PRESSER_LINK_D						1	
5		40025012		ADJUSTING_ARM						1	
6		SM8060612TP		SCREW M6 L=6						1	
7		40068835		INTERMEDIATE_PRESSURE_LINK						1	
8		40025415		ADJUSTING_NUT						1	
9		WP0611626SP		WASHER 15X6X1.6						1	
10		SD0800746TP		SHOULDER SCREW						1	
11		40025428		ECCENTRIC_CAM						1	
12		SM8060812TP		SCREW M6 L=8						2	
13		40025011		CRANK_CONNECTING_ROD						1	
14		40068833		POSITIONING_LINK_SPRING_HOOK						1	
15		B1636581A00		NEEDLE BEARING A	SELECTIVE PARTS					1	
16		B1636581B00		NEEDLE BEARING B	SELECTIVE PARTS					1	
17		B1636581C00		NEEDLE BEARING	SELECTIVE PARTS					1	
18		B1636581D00		NEEDLE BEARING	SELECTIVE PARTS					1	
19		40012965		BEARING_SUPPORT_PLATE						2	
20		RC3781518KP		RETAINING RING						2	
21		TA0750404R0		PLUG D=7.5 L=3.5						1	
22		13122452		FEED BRANCH CRANK ASM.						1	
23		13122403		FEED BRANCH CRANK				*		1	
24		SM6061402TP		SCREW M6 L=14				*		1	
25		RC0650811KP		RETAINING RING						2	
26		40025429		ROD_CONNECTING_SHAFT						1	
27		WP1221016SP		WASHER						1	
28		40068834		POSITIONING_LINK						1	
29		40024988		POSITIONING_LINK_B						1	
30		SS1110640TP		SCREW 11/64-40 L=5.5						2	
31		40030620		INTERMEDIATE_PRESSER_LINK_B						1	
32		B1408180000		HINGE SCREW						1	
33		CS079073ASH		THRUST COLLAR ASM.						1	
34		SS8110410TP		SCREW 11/64-40 L=3.5				*		2	
35	R	CS0790731SH	CS079073ASH	THRUST COLLAR				*		1	1.00
36		40029419		LINK_CONNECTING_PLATE_WASHER						1	
37		SD1000506TP		SHOULDER SCREW D=10 H=4.95						1	
38		SD0800408TP		SHOULDER SCREW						1	
39		23610108		PRESSER BAR GUIDE BRACKET						1	
40		40024991		LINK_CONNECTING_PLATE						1	
41		SS6090910SP		SCREW 9/64-40 L=9						1	
42		SS7111810TP		SCREW 11/64-40 L=18						1	
43		40078133		PRESSER_BUSHING						1	
44		22907554		PRESSER SPRING REG NUT ASM.						1	
45	R	22907505	22907554	PRESSER SPRING REGULATOR				*		1	1.00

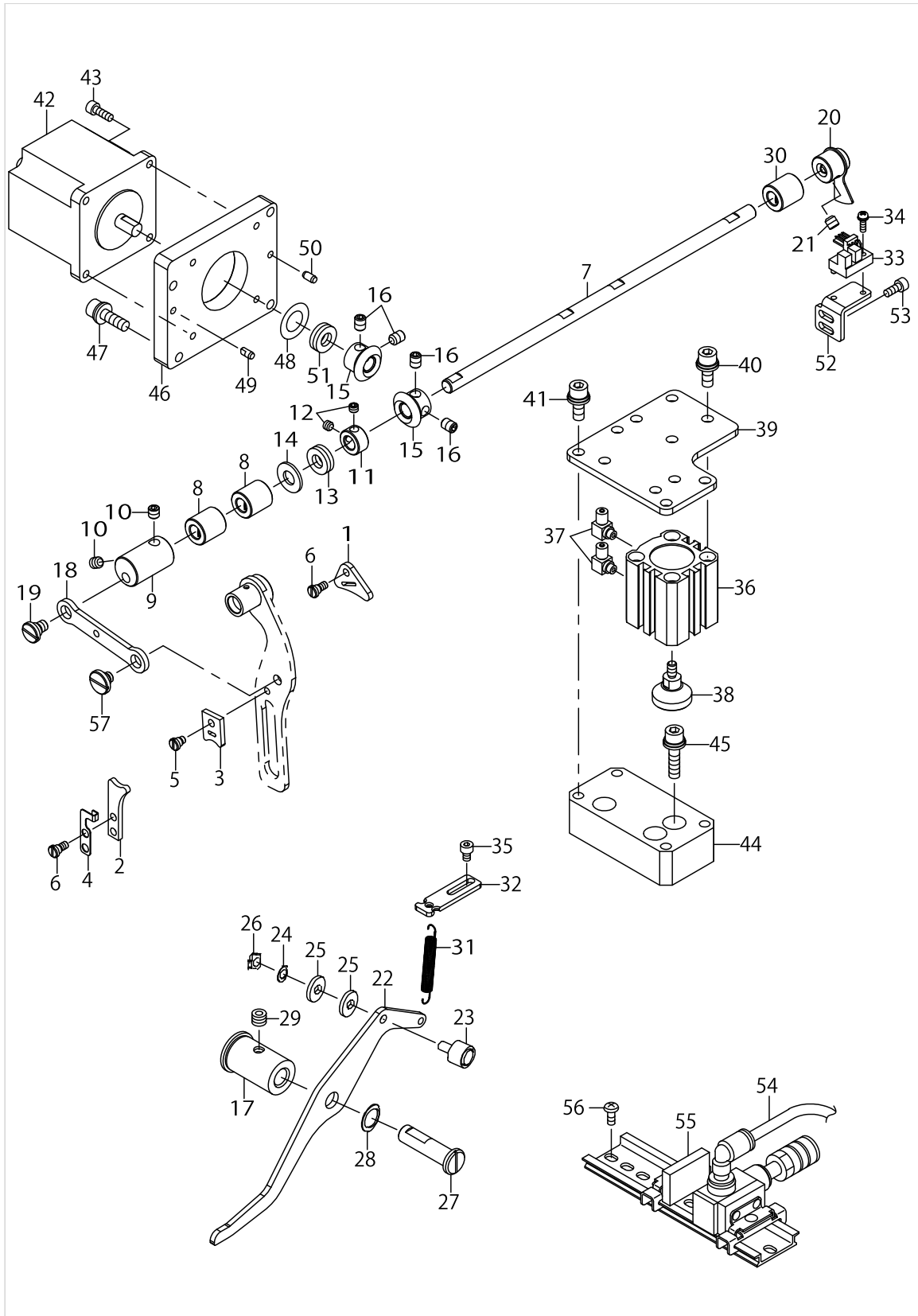
PRESSER VARIABLE COMPONENTS (1)



PRESSER VARIABLE COMPONENTS (1)

No.	Supply Code	Parts No.	Replacement	Parts name	Remarks	Choice	Step	Level	Cons	Qty	Rep. QTY
46	R	22907604	22907554	PRESSER SPRING REGULATOR NUT				*		1	1.00
47		40030623		INTERMEDIATE_PRESSER_BAR						1	
48		B161121000A		INNER PRESSER SPRING						1	
49		40023631		PRESSER GUIDE BAR						1	
50		B1601210D0CA		INTERMEDIATE PRESSER C					☆	1	
51		SM7751160TP		SCREW						1	
52		SM6040802TP		SCREW M4X0.7 L=8						2	
53		B1634210D00		FINGER GUARD						1	
54		WP0430800SC		WASHER M4						2	
55		40030621		INTERMEDIATE PRE- SSER_SPRING B						1	
56		SD0800656TP		SHOULDER SCREW						1	
57		TA0550604R0		RUBBER PLUG						2	
58		40077925		PRESSURE_VARIABLE_PLATE_ASM.						1	
59		40078113		COLLAR						1	
60		40023624		THREAD_TRIMMER_SHAFT						1	
61		SD0800336TP		SHOULDER SCREW						1	
62		40030616		INTERMEDIATE_PRESSER_LINK_C						1	
63		40030628		SLIDE_BLOCK_A	SELECTIVE PARTS					1	
64		40030629		SLIDE_BLOCK_B	SELECTIVE PARTS					1	
65		40030630		SLIDE_BLOCK_C	SELECTIVE PARTS					1	
66		SM8060812TP		SCREW M6 L=8						2	
67		SD0800386TP		SHOULDER SCREW D=8 H=3.75						1	

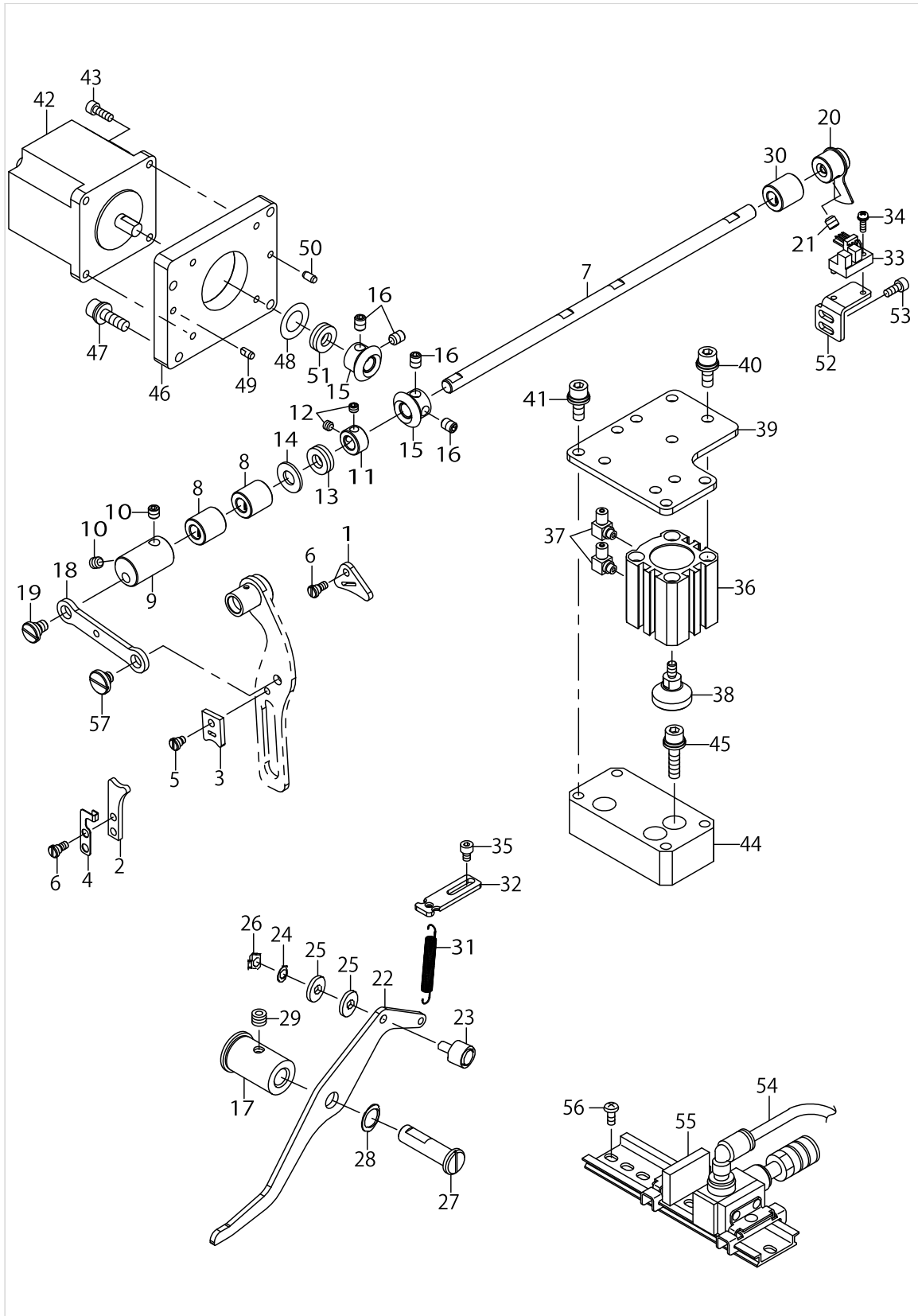
PRESSER VARIABLE COMPONENTS (2)



PRESSER VARIABLE COMPONENTS (2)

No.	Supply Code	Parts No.	Replacement	Parts name	Remarks	Choice	Step	Level	Cons	Qty	Rep. QTY
1		40030625		FACE_FELT_A						1	
2		40030626		FACE_FELT_B						1	
3		40030627		FACE_FELT_C						1	
4		40026817		FACE_FELT_B_SUPPORT						1	
5		40029420		FELT_SCREW_C						1	
6		40032483		FELT_SCREW_A_B						3	
7		40175650		PRESSER VARIABLE SHAFT						1	
8		40025423		BUSHING B						2	
9		40026819		PRESSER_VARIABLE_ARM						1	
10		SM8480652TP		SCREW						2	
11		CS0800881TP		THRUST COLLAR						1	
12		SM8050412TP		SCREW M5 L=4						2	
13		SB408000100		BEARING						1	
14		WP0850002SP		WASHER 8.5X18X1.6						1	
15		40030615		PRESSER_LIFT_GEAR						2	
16		SM8060812TP		SCREW M6 L=8						4	
17		40077938		LIFTING_LINK_SHAFT_METAL						1	
18		40024989		PRESSER_VARIABLE_LINK						1	
19		SD0800337TP		SHOULDER SCREW						1	
20		40025418		SENSOR_SLIT_ASM						1	
21		SM8060612TP		SCREW M6 L=6						2	
22		40175651		LIFTING LINK						1	
23		40027870		CAM FOLLOWER						1	
24		WP0520656SA		WASHER 5.2X9.5X0.6						1	
25		WP0522016SH		WASHER						2	
26		NM6040001SP		NUT M4X0.7						1	
27		40006716		THREAD_TRIMMER_SHAFT						1	
28		26226001		WASHER						1	
29		SM8060812TP		SCREW M6 L=8						1	
30		40043321		BUSHING_C						1	
31		40003970		TENSION RELEASE RETURN						1	
32		40175652		SENSOR INSTALLING BASE						1	
33		HD00057000A		PHOTO SENSOR						1	
34		SL4031081SF		SCREW M3 L=10						1	
35		SM6040602TP		SCREW M4 L=6						2	
36		PA250200600		JIG CYLINDER						1	
37		PJ046052503		HOSE ELBOW						2	
38		40175653		LIFTING BLOCK						1	
39		40175654		CYLINDER PLATE						1	
40		SL6061692TN		BOLT						4	
41		SL6061692TN		BOLT						4	
42		40085033		STEPPING MOTOR						1	
43		SM6041202TP		SCREW M4X0.7 L=12						4	
44		40175655		PRESSURE LIFTER BLOCK						1	
45		SL6062592TN		SCREW						3	
46		40175656		PRESSER MOTOR BRACKET						1	

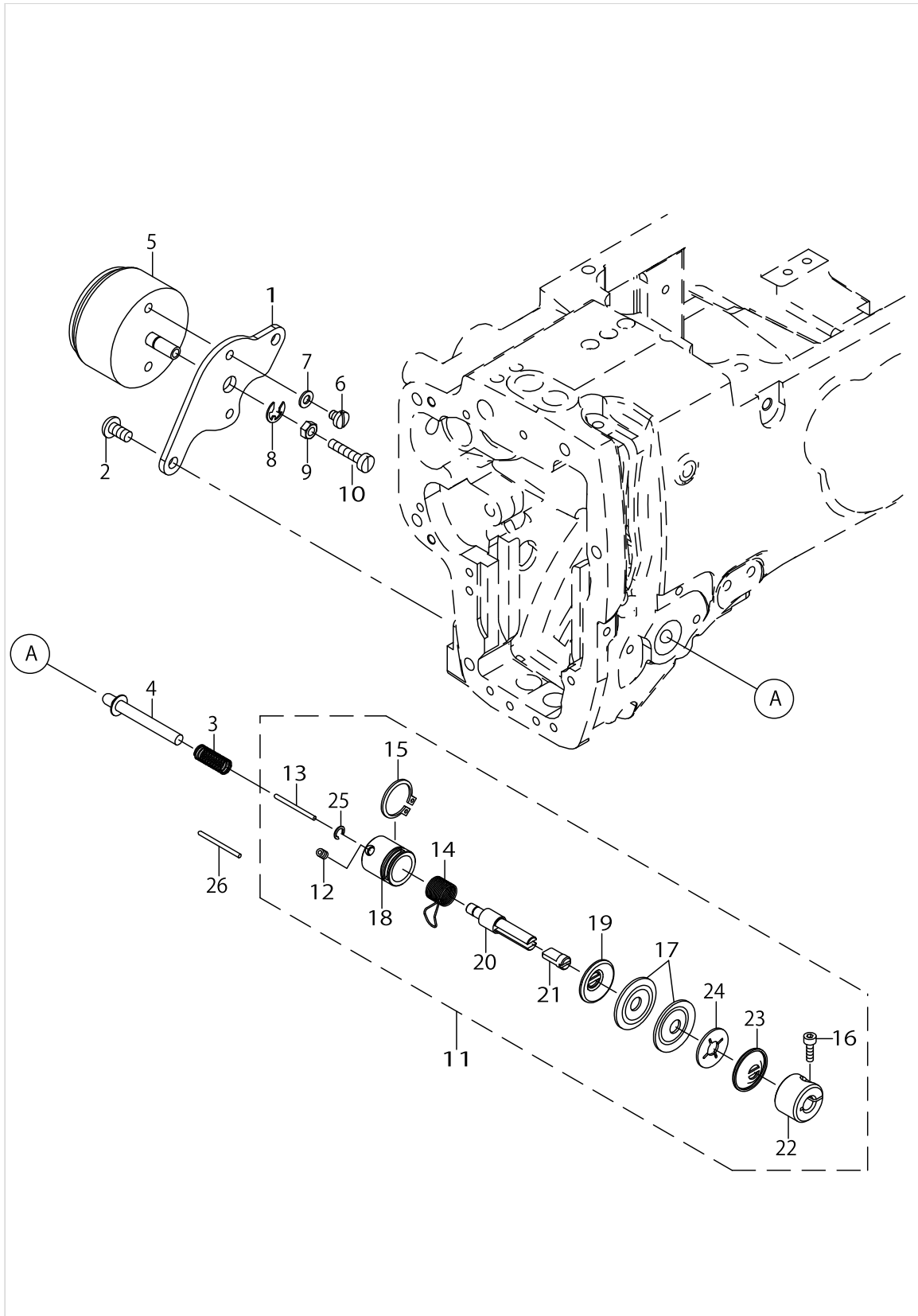
PRESSER VARIABLE COMPONENTS (2)



PRESSER VARIABLE COMPONENTS (2)

No.	Supply Code	Parts No.	Replacement	Parts name	Remarks	Choice	Step	Level	Cons	Qty	Rep. QTY
47		SL6062092TN		SCREW M6 L=20						3	
48		B2537221D00		Y DRIVE WHEEL SPACER						3	
49		13301908		DOWEL PIN						1	
50		13302500		DOWEL PIN 2						1	
51		SB408000100		BEARING						1	
52		40175657		PRESSER SENSOR PLATE						1	
53		SM6041002TP		SCREW M4X0.7 L=10						2	
54		BT0400251EB		URETHANE TUBE BLACK 4X2.5						.8	
55		40075962		SOLENOID VALVE ASM(1)						1	
56		SM4041001SC		SCREW M4X0.7 L=10						2	
57		SD0800387TP		SHOULDER SCREW D=8 H=3.75						1	

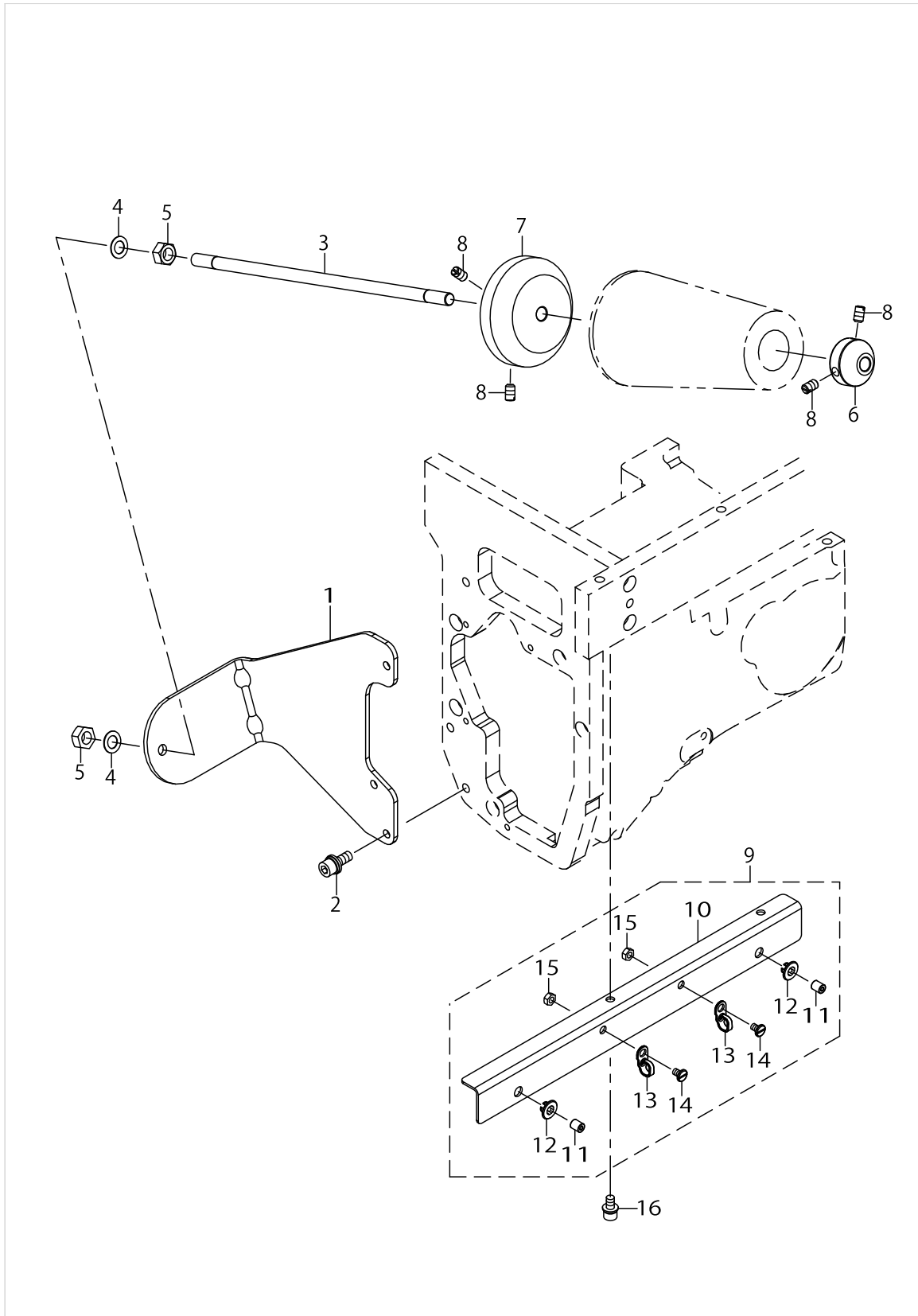
TENSION RELEASE & THREAD TENSION COMPONENTS



TENSION RELEASE & THREAD TENSION COMPONENTS

No.	Supply Code	Parts No.	Replacement	Parts name	Remarks	Choice	Step	Level	Cons	Qty	Rep. QTY
1		40175648		AT PLATE						1	
2		SM4050855SP		SCREW						2	
3		22920409		THREAD RELEASE PIN SPRING						1	
4		40175649		THREAD TENSION PIN						1	
5		40176085		AT SOLENOID ASM						1	
6		SM4040555SP		SCREW						2	
7		WP0410846SC		WASHER						2	
8		RE0500000K0		E-RING						1	
9		NM6040000SN		NUT M4						1	
10		SM6042000SP		SCREW						1	
11		40172470		THREAD_TENSION_ASM						1	
12		SM8040612TP		SCREW M4 L=6				*		1	
13		B3118552H00		THREAD RELEASE PIN				*		1	
14		22921605		THREAD TAKE-UP SPRING				*		1	
15		RC1700001KP		RETAINING RING				*		1	
16		SM6031002TN		SCREW M3 L=10				*		1	
17		22921506		THREAD TENSION DISK				*		2	
18		40174313		TENSION_POST_BASE_ASM				*		1	
19		40126724		TENSION_DISC HOLDER				*		1	
20		40172472		AT_SHAFT				*		1	
21		40172473		DISK_STOPPER_HOLDER_CAP_PIN				*		1	
22		40172474		DISK_STOPPER_HOLDER_CAP				*		1	
23		B3132012000		TENSION DISC HOLDER				*		1	
24		40174312		THREAD_TENSION_DISK_RUBBER				*		1	
25		RC0410415KP		C-RING				*		1	
26		B3118552C00		TENSION RELEASE PIN C				*		1	

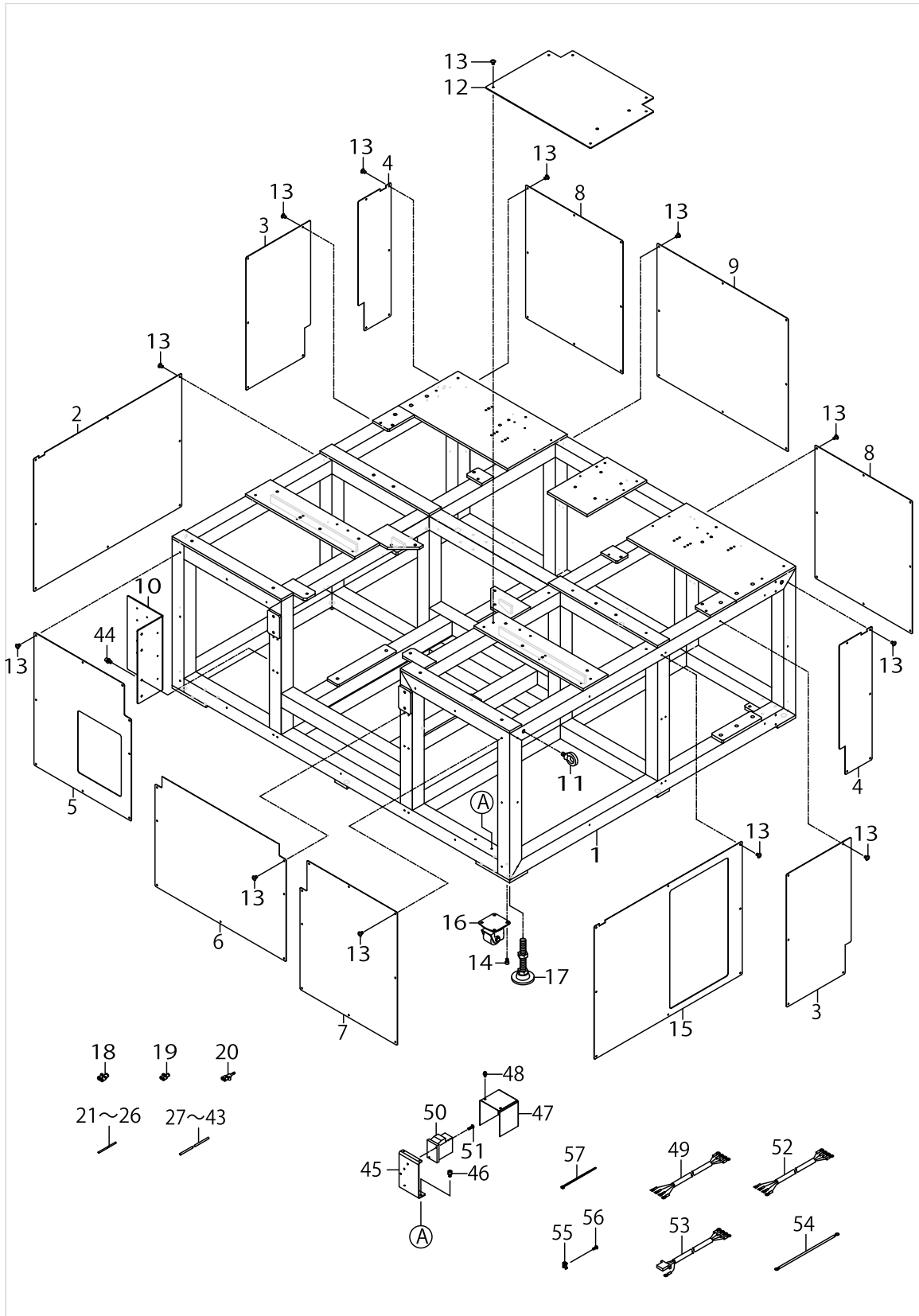
THREAD STAND COMPONENTS



THREAD STAND COMPONENTS

No.	Supply Code	Parts No.	Replacement	Parts name	Remarks	Choice	Step	Level	Cons	Qty	Rep. QTY
1		40175661		SPOOL PLATE						1	
2		SL6061492TN		BOLT						3	
3		40175662		SPOOL PIN						1	
4		WP0820526SD		WASHER 8.2X14X0.5						2	
5		NM6080001SC		NUT M8X1.25						2	
6		40175664		SPOOL BLOCK A						1	
7		40175665		SPOOL BLOCK B						1	
8		SM8061010TP		SCREW						4	
9		40175670		THREAD GUIDE ASM.						1	
10		40175663		THREAD GUIDE PLATE				*		1	
11		40085794		THREAD GUIDE				*		2	
12		40085795		THREAD GUIDE BUSHING				*		2	
13		13705108		TAKE-UP THREAD GUIDE B				*		2	
14		SM6040650TP		SCREW				*		2	
15		NM6040001SC		NUT M4X0.7 TYPE1				*		2	
16		SL6051092TN		SCREW M5 L=10						2	

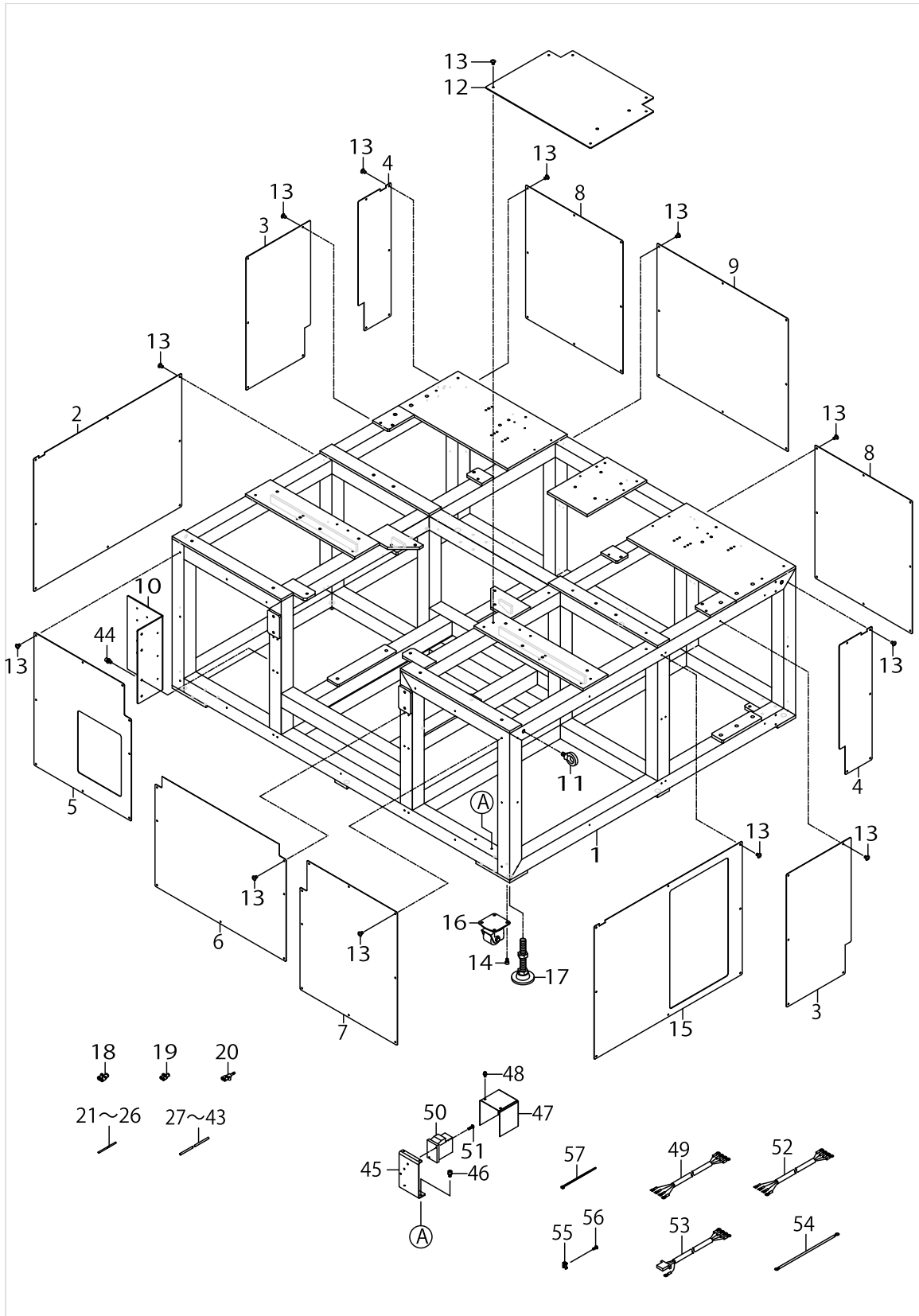
MAIN BODY FRAME COMPONENTS



MAIN BODY FRAME COMPONENTS

No.	Supply Code	Parts No.	Replacement	Parts name	Remarks	Choice	Step	Level	Cons	Qty	Rep. QTY
1		40170367		MAIN BODY FRAME						1	
2		40170370		LEFT PRESENCE COVER						1	
3		40170371		SIDE IN THE COVER						2	
4		40170372		SIDE REAR COVER						2	
5		40170373		FRONT LEFT COVER						1	
6		40170374		BEFORE IN THE COVER						1	
7		40170375		FRONT RIGHT COVER						1	
8		40170376		REAR LEFT AND RIGHT COVER						2	
9		40170377		BEHINDINTHECOVER						1	
10		40183860		SOLENOID_VALVE_- MOUNTING_PLATE						1	
11		40170003		EYEBOLT						4	
12		40170380		CONTROL PANEL BASE						1	
13		SM0040601SC		SCREW M4X0.7 L=6						85	
14		SM6081202TP		SCREW M8 L=12						24	
15		40170383		RIGHT PRESENCE COVER						1	
16		40170001		CASTER						6	
17		40170002		ASIA STAR						8	
18		PJ308060003		Y UNION						2	
19		PJ308040002		QUICK COUPLING						2	
20		PJ308060004		Y UNION						1	
21		BT0400251EB		URETHANE TUBE BLACK 4X2.5						1.1	
22		BT0400251EB		URETHANE TUBE BLACK 4X2.5						1.1	
23		BT0400251EB		URETHANE TUBE BLACK 4X2.5						1.1	
24		BT0400251EB		URETHANE TUBE BLACK 4X2.5						1.1	
25		BT0400251EB		URETHANE TUBE BLACK 4X2.5						5.7	
26		BT0400251EB		URETHANE TUBE BLACK 4X2.5						5.7	
27		BT0600401EB		URETHANE TUBE BLACK 6X4						.3	
28		BT0600401EB		URETHANE TUBE BLACK 6X4						.25	
29		BT0600401EB		URETHANE TUBE BLACK 6X4						.25	
30		BT0600401EB		URETHANE TUBE BLACK 6X4						.3	
31		BT0600401EB		URETHANE TUBE BLACK 6X4						4	
32		BT0600401EB		URETHANE TUBE BLACK 6X4						.6	
33		BT0600401EB		URETHANE TUBE BLACK 6X4						.6	
34		BT0400251EB		URETHANE TUBE BLACK 4X2.5						.15	
35		BT0400251EB		URETHANE TUBE BLACK 4X2.5						.15	
36		BT0600401EB		URETHANE TUBE BLACK 6X4						3	
37		BT0600401EB		URETHANE TUBE BLACK 6X4						3.15	
38		BT0600401EB		URETHANE TUBE BLACK 6X4						.3	
39		BT0600401EB		URETHANE TUBE BLACK 6X4						3	
40		BT0600401EB		URETHANE TUBE BLACK 6X4						3	
41		BT0600401EB		URETHANE TUBE BLACK 6X4						4	
42		BT0600401EB		URETHANE TUBE BLACK 6X4						4	
43		BT0600401EB		URETHANE TUBE BLACK 6X4						.3	
44		SL6061492TN		BOLT						4	
45		40170277		SAFETY_DEVICE_PLATE						1	
46		SL6051092TN		SCREW M5 L=10						2	

MAIN BODY FRAME COMPONENTS



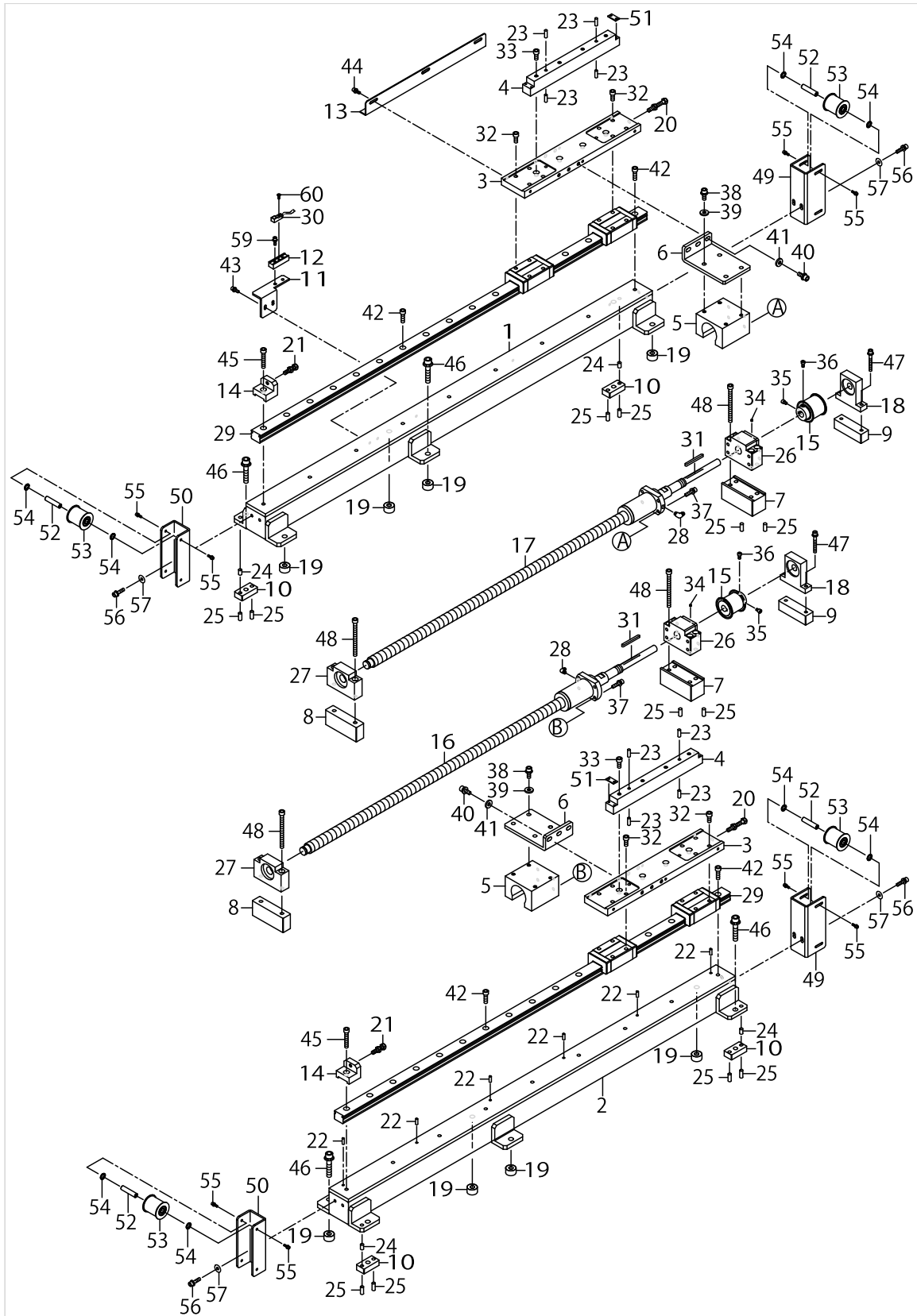
MAIN BODY FRAME COMPONENTS

No.	Supply Code	Parts No.	Replacement	Parts name	Remarks	Choice	Step	Level	Cons	Qty	Rep. QTY
47		40170278		SAFETY_DEVICE_COVER						1	
48		SL6040892TN		BOLT						2	
49		40096034		POWER CABLE 3P ASSY						1	
50		HA006950000		SWITCH						1	
51		SM4041401SC		SCREW M4X0.7 L=14						2	
52		40176108		CONTACTOR IN CABLE P3 ASM						1	
53		40176109		CONTACTOR OUT CABLE P3 ASM						1	
54		40185871		CONTACTOR COIL CABLE ASAM						1	
55		HX004540000		TIE MOUNT						2	
56		SM4040601SC		SCREW M4X0.7 L=6						2	
57		HX00065000A		CABLE CLIP						2	

WORKPIECE CLAMP JIG COMPONENTS

No.	Supply Code	Parts No.	Replacement	Parts name	Remarks	Choice	Step	Level	Cons	Qty	Rep. QTY
1		40170290		CASSETTE_BASE						1	
2		SL6061492TN		BOLT						16	
3		40181513		AIR_CYLINDER						2	
4		40181514		AIR_CYLINDER_PIN						2	
5		RE0600000K0		E-RING 6						2	
6		NM6060001SD		NUT M6						2	
7		PJ046052503		HOSE ELBOW						4	
8		BT0400251EB		URETHANE TUBE BLACK 4X2.5						3	
9		40181515		CYLINDER_KNUCKLE_PIN						2	
10		RE0700000K0		E-RING 7						2	
11		WP0651001SC		WASHER						2	
12		RE0500000K0		E-RING						2	
13		SD0870401SP		HINGE SCREW D=8.73 H=4						2	
14		NS6150430SP		HEXAGONAL NUT 15/64-28						4	
15		SL6041092TN		SCREW						10	
16		40170028		NUT						24	
17		40176065		MECHANICAL LOCK SENS ASM						2	
18		40176066		MECHANICAL LOCK CABLE ASM						1	
19		EA9500B0100		CABLE BAND						10	
20		40177080		CASSETTE HOLDER_BASE_PLATE						1	
21		40177081		CHUCK						2	
22		40177082		CHUCK_BASE_STOPPER_A						2	
23		40177083		CHUCK_BASE_STOPPER_B						2	
24		40177084		SUPPORT_PLATE_R						2	
25		40177085		SUPPORT_PLATE_L						2	
26		SL6040892TN		BOLT						16	
27		40177086		KNUCKLE_JOINT						2	
28		PV150209000		5 PORT SOLENOID VALVE						1	

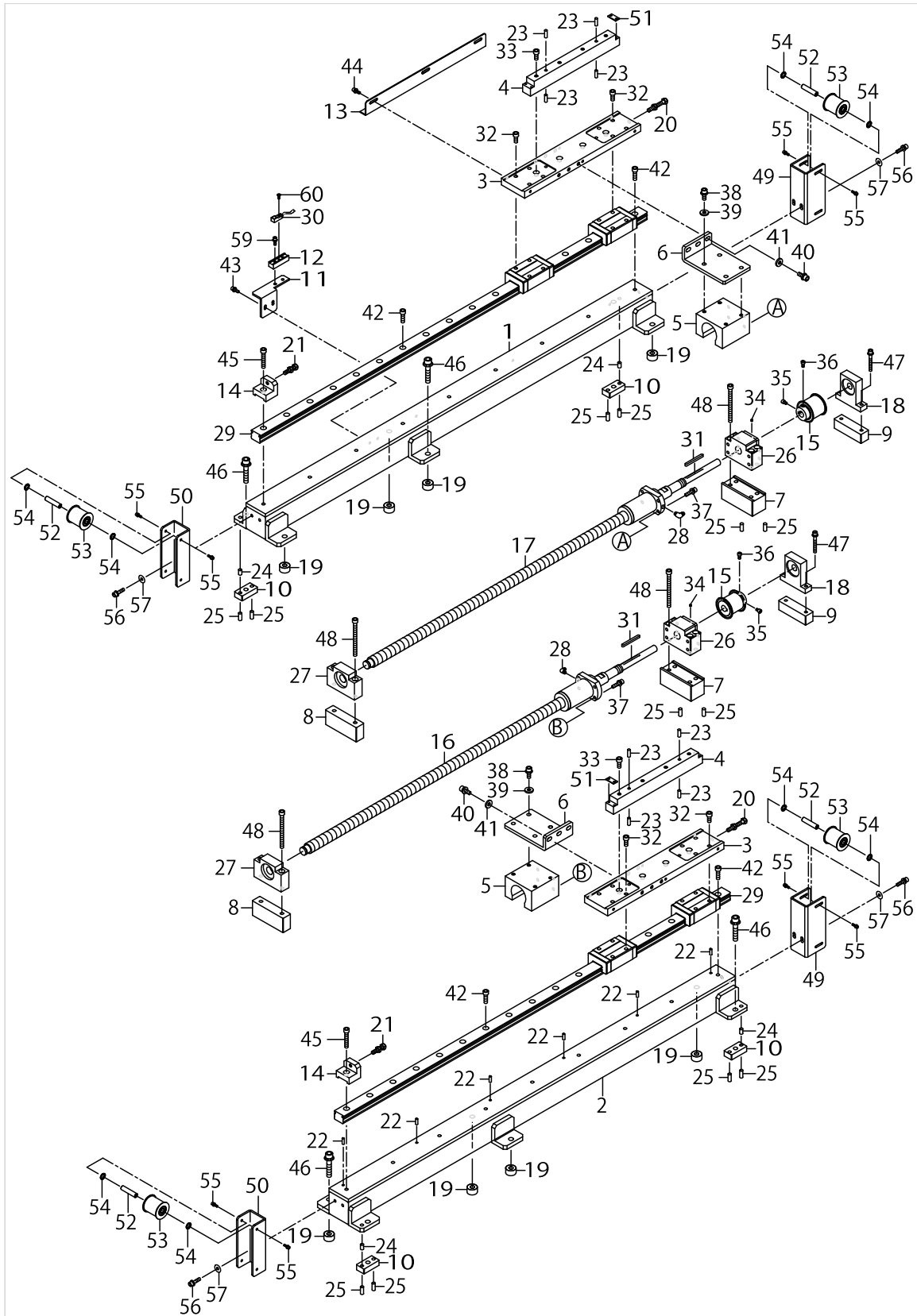
Y-AXIS BALL SCREW DRIVE COMPONENTS



Y-AXIS BALL SCREW DRIVE COMPONENTS

No.	Supply Code	Parts No.	Replacement	Parts name	Remarks	Choice	Step	Level	Cons	Qty	Rep. QTY
1		40170394		Y SLEEVE RAIL FRAME L						1	
2		40170395		Y SLEEVE RAIL FRAME R						1	
3		40170396		Y-AXIS SLIDER PLATE						2	
4		40170397		Y-AXIS SLIDER BLOCK						2	
5		40170398		NUT BRACKET						3	
6		40170399		L BRACKET						2	
7		40170400		BALL SCREW SPACER A						2	
8		40170401		BALL SCREW SPACER B						2	
9		40170402		BALL SCREW SPACER C						2	
10		40170403		FRAME SPACER						4	
11		40170404		SENSOR BRACKET						1	
12		40170405		SENSOR BLOCK						1	
13		40170406		SENSOR DOG						1	
14		40170407		STOPPER						2	
15		40170408		TIMING PULLEY A ALTERATION						2	
16		40170409		BALL SCREW R ALTERATION						1	
17		40170410		BALL SCREW L ALTERATION						1	
18		40170012		B HOLDER						2	
19		40170013		COLOR						8	
20		40170014		STOPPER BOLT						2	
21		40170015		STOPPER BOLT						2	
22		40170016		ROLL PIN						6	
23		40170017		POSITIONING PIN						8	
24		40170018		POSITIONING PIN						4	
25		40170019		POSITIONING PIN						12	
26		40170020		SUPPORT						2	
27		40170021		SUPPORT						2	
28		40170022		GREASE NIPPLE						2	
29		40170023		LINEAR GUIDE						2	
30		40176058		ORG SENSOR ASM						1	
31		40170025		PARALLEL KEY						2	
32		SM6061402TN		BOLT						16	
33		SM6061402TN		BOLT						8	
34		SM8030312TP		SCREW M3 L=3						4	
35		SM6040602TN		BOLT						2	
36		SM6040802TN		SCREW						2	
37		SL6052042TN		SCREW						8	
38	D	SL6061642TN		BOLT						8	
39		WP0612516SD		WASHER6.1X15.2X2.5						8	
40	D	SL6061642TN		BOLT						6	
41		WP0612516SD		WASHER6.1X15.2X2.5						6	
42		SM6062002TN		SCREW M6 L=20						16	
43		SL6041292TN		SCREW						2	
44		SL6041292TN		SCREW						3	
45	R	SM6063502TN	SM6063502TP	SCREW M6 L=35						2	1.00
46		SL6084092TN		BOLT						12	

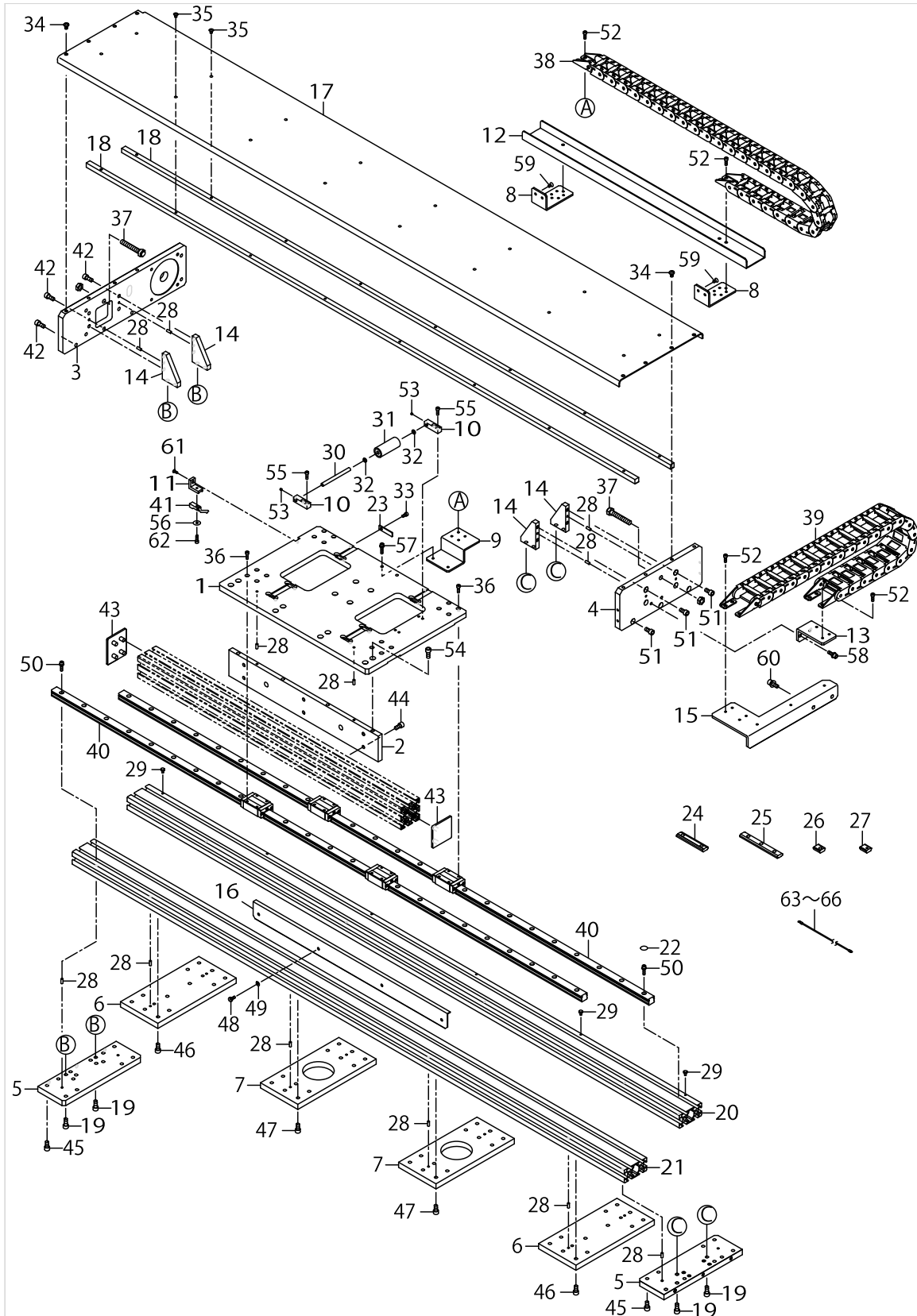
Y-AXIS BALL SCREW DRIVE COMPONENTS



Y-AXIS BALL SCREW DRIVE COMPONENTS

No.	Supply Code	Parts No.	Replacement	Parts name	Remarks	Choice	Step	Level	Cons	Qty	Rep. QTY
47		SL6054092TN		SCREW M5 L=40						4	
48		SM6067552TP		SCREW M6 L=75						12	
49		40170472		ROLLER BRACKET A						2	
50		40170473		ROLLER BRACKET B						2	
51		40170474		COVER BRACKET						4	
52		40170064		SHAFT						8	
53		40170146		PULLEY						8	
54		40170065		WASHER						16	
55		SL6041092TN		SCREW						16	
56		SL6052042TN		SCREW						8	
57		WP0522016SH		WASHER						8	
58		SM4040801SC		SCREW M4X0.7 L=8						8	
59		SL6041292TN		SCREW						2	
60		SM0030801SC		SCREW M3X8						1	

X-AXIS FRAME COMPONENTS



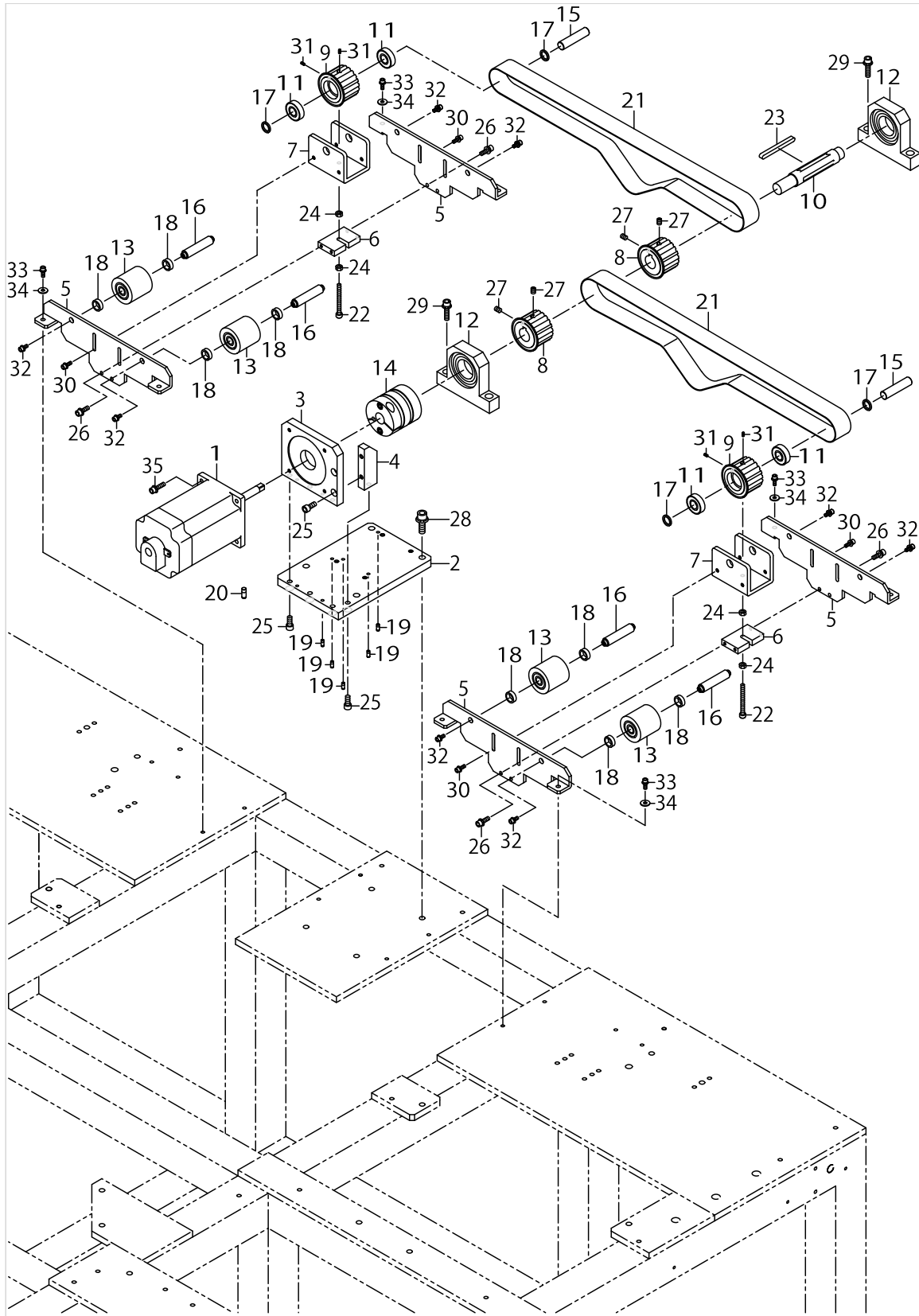
X-AXIS FRAME COMPONENTS

No.	Supply Code	Parts No.	Replacement	Parts name	Remarks	Choice	Step	Level	Cons	Qty	Rep. QTY
1		40170411		X-AXIS BASE PLATE						1	
2		40170412		X-AXIS PLATE A						1	
3		40170413		X-AXIS PLATE B						1	
4		40170414		X-AXIS PLATE C						1	
5		40170415		X-AXIS PLATE D						2	
6		40170416		X-AXIS PLATE E						2	
7		40170417		X-AXIS PLATE F						2	
8		40170418		CABLE BRACKET A						2	
9		40170419		CABLE BRACKET B						1	
10		40170420		ROLLER BLOCK						2	
11		40170421		SENSOR BRACKET						1	
12		40170422		RECEIVED CABLE						1	
13		40170423		CABLE BRACKET C						1	
14		40170424		RIB						4	
15		40170425		CABLE BRACKET D						1	
16		40170426		X-AXIS DOG						1	
17		40170427		X-AXIS TOP COVER						1	
18		40170428		X-AXIS COVER						2	
19		SM6061402TN		BOLT						8	
20		40170430		ALUMINUM FRAME ADDITIONAL MACHINING L						1	
21		40170431		ALUMINUM FRAME ADDITIONAL MACHINING R						1	
22		40186132		LM GUIDE CAP						48	
23		40170433		CORD CLAMP						2	
24		40170026		PLATE NUT						8	
25		40170027		PLATE NUT						16	
26		40170028		NUT						12	
27		40170029		NUT						44	
28		40170030		POSITIONING PIN						18	
29		40170031		POSITIONING PIN						6	
30		40170032		SHAFT						1	
31		40170033		ROLLER						1	
32		40170034		COLOR						2	
33		SM6040802TN		SCREW						2	
34		SM5050855SN		SCREW M5 L=8						8	
35		SM0040601SC		SCREW M4X0.7 L=6						16	
36		SM6061402TN		BOLT						16	
37		40170039		STOPPER BOLT						2	
38		40170040		CABLE CARRIERS						1	
39		40170041		CABLE CARRIERS						1	
40		40170042		LINEAR GUIDE						2	
41		40176058		ORG SENSOR ASM						1	
42		SM6061402TN		BOLT						6	
43		40170045		FRAME CAP						2	
44		SM6061202TN		BOLT						6	
45		SM6061202TN		BOLT						16	

X-AXIS FRAME COMPONENTS

No.	Supply Code	Parts No.	Replacement	Parts name	Remarks	Choice	Step	Level	Cons	Qty	Rep. QTY
46		SM6061202TN		BOLT						16	
47		SM6061202TN		BOLT						24	
48		SM9041050SC		SCREW M4X0.7 L=10						4	
49		WP0430801SE		WASHER 4.3X9X0.8						4	
50		SL6041642TN		SCREW						26	
51		SM6061202TN		BOLT						7	
52		SM6041202TN		SCREW M4X0.7 L=12						16	
53		SM8030312TP		SCREW M3 L=3						2	
54		SM6061402TN		BOLT						8	
55		SM6041202TN		SCREW M4X0.7 L=12						4	
56		WP0461516SH		WASHER						1	
57		SL6041892TN		SCREW M4 L=18						2	
58		SL6051692TN		BOLT						2	
59		SM1040852TP		DISH SCREW						4	
60		SL6061692TN		BOLT						2	
61		SM0030801SC		SCREW M3 X 8						1	
62		SM6041202TP		SCREW M4X0.7 L=12						1	
63		40185058		FEED UNIT FG CABLE ASM A						1	
64		40185059		FEED UNIT FG CABLE ASM B						1	
65		40185060		FEED UNIT FG CABLE ASM C						1	
66		40185061		FEED UNIT FG CABLE ASM D						1	

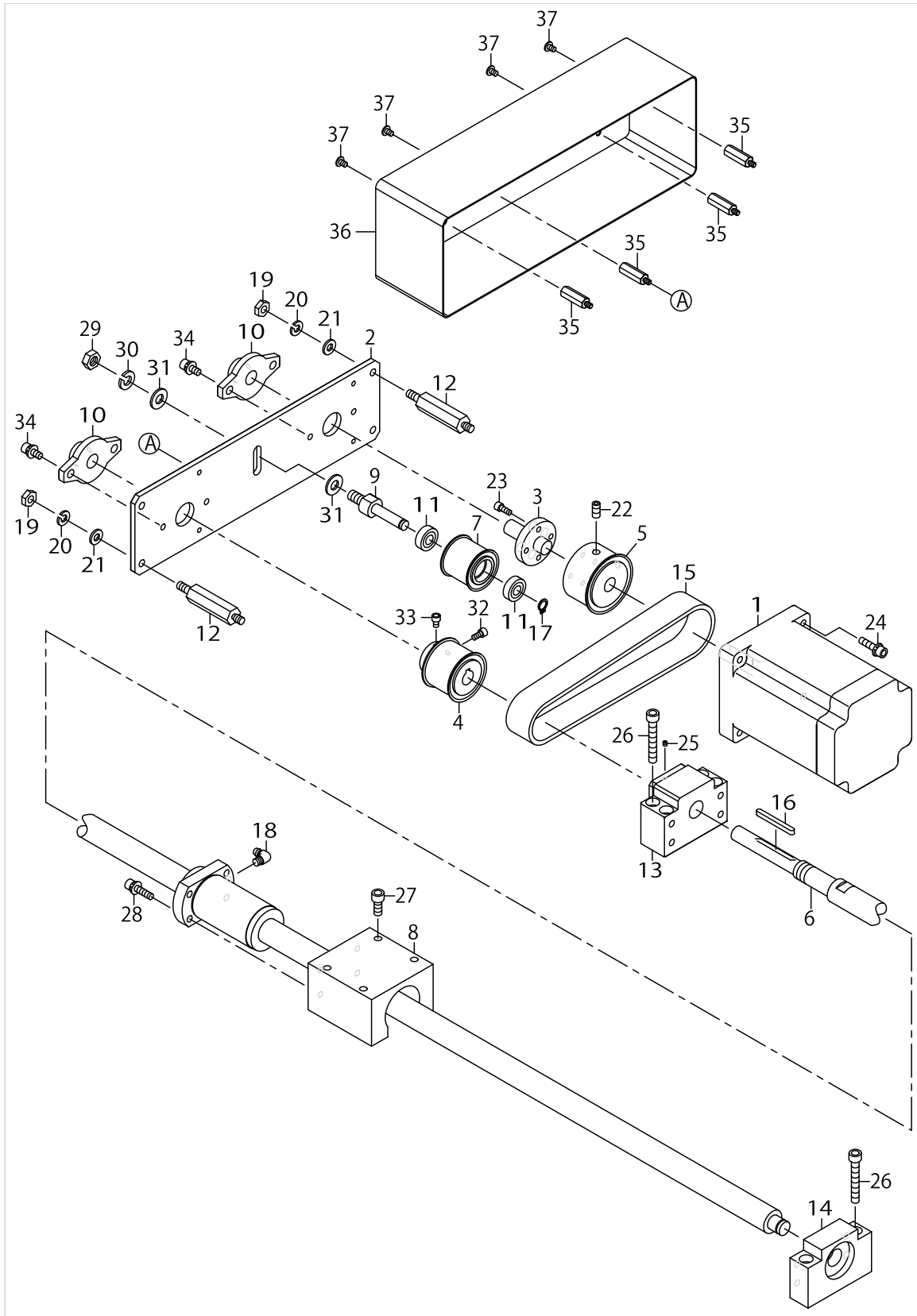
Y-AXIS MOTOR DRIVE COMPONENTS



Y-AXIS MOTOR DRIVE COMPONENTS

No.	Supply Code	Parts No.	Replacement	Parts name	Remarks	Choice	Step	Level	Cons	Qty	Rep. QTY
1		40104419		Y-AXISDRIVEMOTOR						1	
2		40170434		MOTOR BASE						1	
3		40170435		MOTOR BRACKET						1	
4		40170436		RIB						1	
5		40170437		TENSION BRACKET						4	
6		40170438		PLATE						2	
7		40170439		ROLLER BRACKET						2	
8		40170440		TIMING PULLEY B ADDITIONAL MACHINING						2	
9		40170441		TIMING PULLEY C ADDITIONAL MACHINING						2	
10		40170442		AXIS ADDITIONAL WORK						1	
11		40170046		BEARING						4	
12		40170047		BEARING HOLDER						2	
13		40170048		ROLLER						4	
14		40170049		COUPLING						1	
15		40170050		SHAFT						2	
16		40170051		SHAFT						4	
17		40170052		WASHER						4	
18		40170053		WASHER						8	
19		40170030		POSITIONING PIN						6	
20		40170019		POSITIONING PIN						2	
21		40170054		TIMING BELT						2	
22		40170055		BOLT						2	
23		40170056		PARALLEL KEY						1	
24		NM6050002SE		NUT M5						4	
25		SM6061402TN		BOLT						6	
26		SL6051692TN		BOLT						8	
27		SM8060812TP		SCREW M6 L=8						4	
28		SL6082592TN		BOLT						4	
29		SL6062592TN		SCREW						4	
30		SL6041292TN		SCREW						8	
31		SM8030612TP		SET SCREW						4	
32		SL6041092TN		SCREW						8	
33		SL6041292TN		SCREW						8	
34		WP0451016SH		WASHER 4.5X13X1						8	
35		SL6052042TN		SCREW						4	

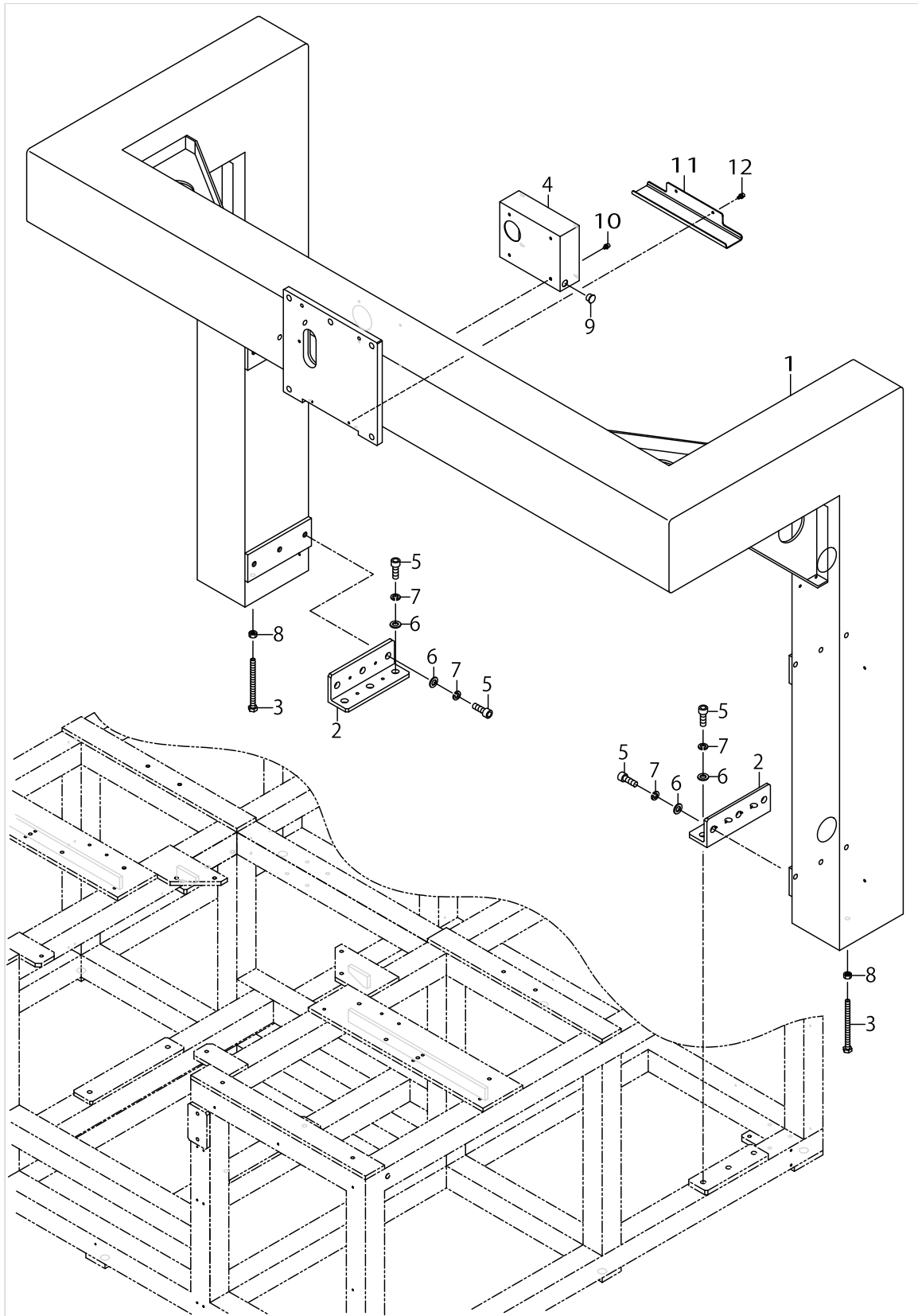
X-AXIS BALL SCREW DRIVE COMPONENTS



X-AXIS BALL SCREW DRIVE COMPONENTS

No.	Supply Code	Parts No.	Replacement	Parts name	Remarks	Choice	Step	Level	Cons	Qty	Rep. QTY
1		40104419		X-AXISDRIVEMOTOR						1	
2		40170443		PLATE						1	
3		40170444		FLANGE						1	
4		40170445		TIMING PULLEY D ALTERATION						1	
5		40170446		TIMING PULLEY E ALTERATION						1	
6		40170447		X-AXIS BALL SCREW ADDITIONAL WORK						1	
7		40170448		TIMING PULLEY F ADDITIONAL MACHINING						1	
8		40170398		NUT BRACKET						1	
9		40170057		STRUT						1	
10		40170058		PILLOW						2	
11		40170059		BEARING						2	
12		40170060		STRUT						4	
13		40170020		SUPPORT						1	
14		40170021		SUPPORT						1	
15		40170061		TIMING BELT						1	
16		40170062		PARALLEL KEY						1	
17		RC0740816K0		C-RING 8 (7.4)						1	
18		40170022		GREASE NIPPLE						1	
19		NM6060001SE		NUT M6						4	
20		WS0610002KN		SPRING WASHER 6.1X12.2X1.5						4	
21	R	WP0641601SE	WP0641601SC	WASHER M6						4	1.00
22		SM8061212TP		SCREW M6X12						2	
23		SM6041002TN		BOLT						4	
24		SL6052042TN		SCREW						4	
25		SM8030312TP		SCREW M3 L=3						1	
26		SM6064002TN		HEXAGONAL-HOLE BOLT						6	
27		SM6061402TN		BOLT						4	
28		SL6052042TN		SCREW						4	
29		NM6080001SE		NUT M8						1	
30		WS0820002KN		SPRING WASHER M8						1	
31		WP0841601SE		WASHER						2	
32		SM6040802TN		SCREW						1	
33		SM6040602TN		BOLT						1	
34		SL6051292TN		BOLT						4	
35		40170035		STRUT						4	
36		40170429		MOTOR COVER						1	
37		SM0040601SC		SCREW M4X0.7 L=6						4	

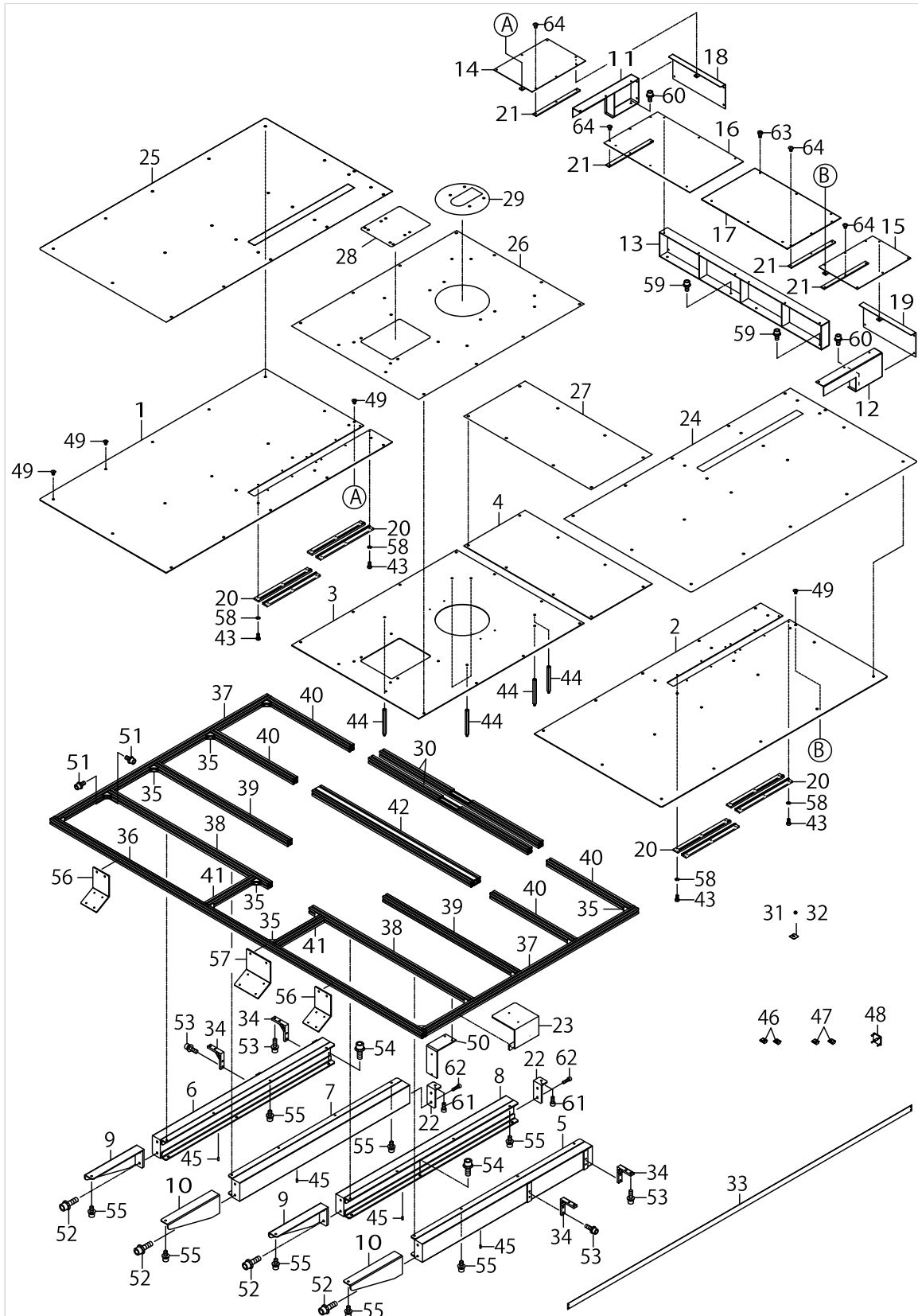
SEWING MACHINE HEAD FRAME COMPONENTS



SEWING MACHINE HEAD FRAME COMPONENTS

No.	Supply Code	Parts No.	Replacement	Parts name	Remarks	Choice	Step	Level	Cons	Qty	Rep. QTY
1		40170449		SEWING MACHINE HEAD FRAME						1	
2		40170450		FRAME BRACKET						4	
3		40170063		BOLT						2	
4		40170500		REAR COVER ADDITIONAL WORK						1	
5		SM6123502TT		SCREW M12 L=35						24	
6		WP1302501SE		WASHER M12						24	
7	R	WS1220002KN	WS1220002KP	SPRING WASHER						24	1.00
8	R	NM6100001SE	NM6100001SC	NUT						2	1.00
9		HX00188000B		BUSH						1	
10		SL6051092TN		SCREW M5 L=10						4	
11		40170297		OIL_RECEIVE						1	
12		SL6051292TN		BOLT						2	

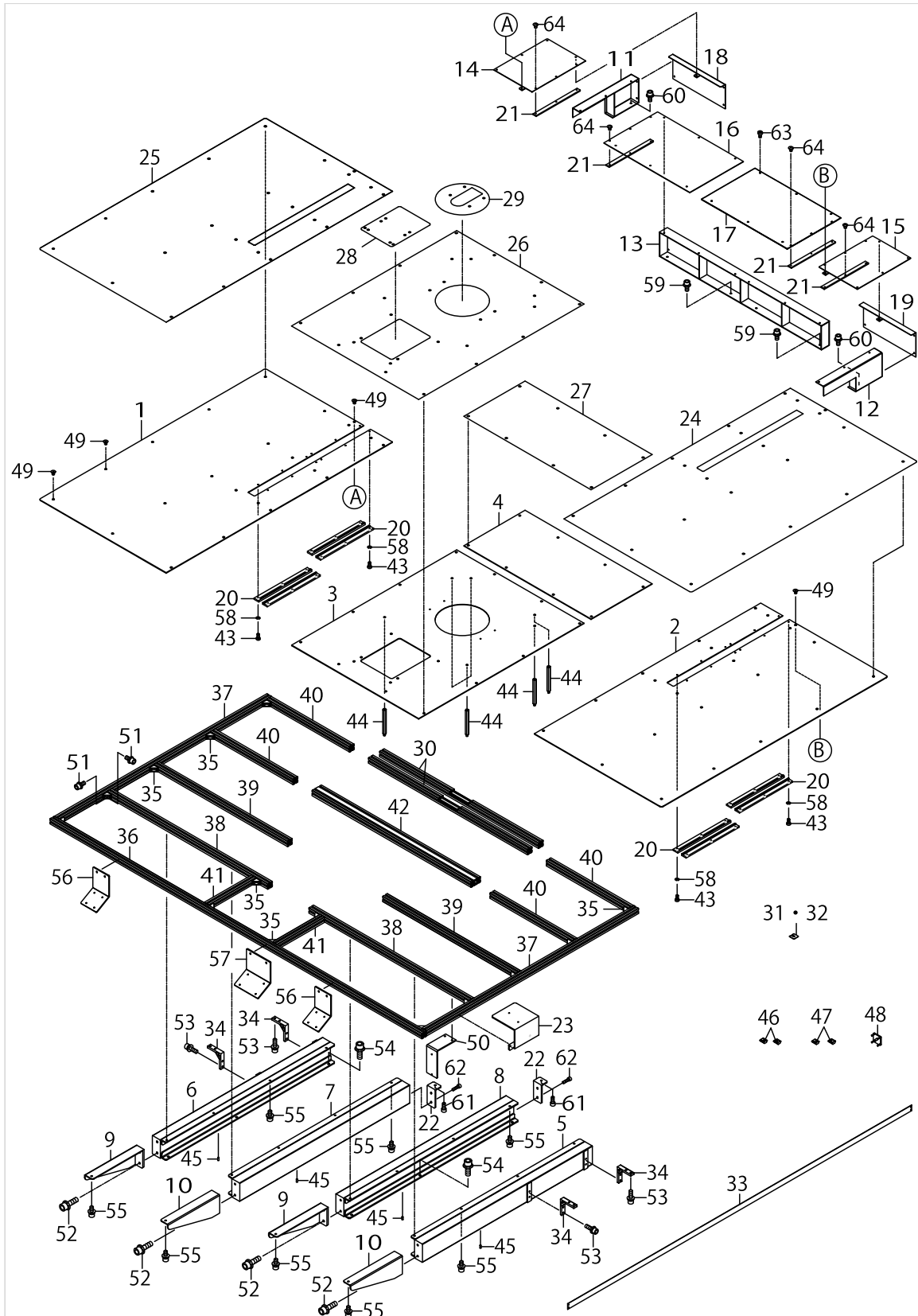
MAIN TABLE COMPONENTS



MAIN TABLE COMPONENTS

No.	Supply Code	Parts No.	Replacement	Parts name	Remarks	Choice	Step	Level	Cons	Qty	Rep. QTY
1		40170451		THETOPPLATESIDEL						1	
2		40170452		THE TOP PLATE SIDE R						1	
3		40170453		THE CENTER OF T- HE TOP SURFACE BEFORE						1	
4		40170454		THE CENTER OF T- HE TOP SURFACE BEHIND						1	
5		40170455		TABLE SUPPORT SIDE R						1	
6		40170456		TABLE SUPPORT SIDE L						1	
7		40170457		TABLE SUPPORT CENTER L						1	
8		40170458		TABLE SUPPORT CENTER R						1	
9		40170459		TABLE SUPPORT BEFORE L						2	
10		40170460		TABLE SUPPORT BEFORE R						2	
11		40170461		FRONT SIDE COVER SUPPORT L						1	
12		40170462		FRONT SIDE COVER SUPPORT R						1	
13		40170463		CENTER OF THE FR- ONT COVER SUPPORT						1	
14		40170464		FRONT SIDE COVER L						1	
15		40170465		FRONT SIDE COVER R						1	
16		40170466		CENTER OF THE FRONT COVER L						1	
17		40170467		CENTER OF THE FRONT COVER R						1	
18		40170468		BEHIND TOP SURFACE L COVER L						1	
19		40170469		BEHIND TOP SURFACE L COVER R						1	
20		40170470		BELT GUIDE A						8	
21		40170471		BELT GUIDE B						4	
22		40170475		ALUMINUM FRAME SUPPORT						2	
23		40170476		PANEL BRACKET						1	
24		40170490		THE TOP PLATE SIDE SHEET R						1	
25		40170491		THE TOP PLATE SIDE SHEET L						1	
26		40170492		TOP SURFACE BEFORE SHEET						1	
27		40170493		TOP SURFACE BEHIND SHEET						1	
28		40170494		OPENING AND CLO- SING PLATE SHEET						1	
29		40170495		CIRCULAR TABLE SHEET						1	
30		40170496		ADD PROFILE ENGINEERING						2	
31		40170497		SHIM FOR THE TOP PLATE T0.3						30	
32		40170498		SHIM FOR THE TOP PLATE T0.5						30	
33		40170499		COVER BELT ADDITIONAL WORK						2	
34		40170066		BRACKET						4	
35		40170067		BRACKET						14	
36		40170068		ALUMINUM FRAME						1	
37		40170069		ALUMINUM FRAME						2	
38		40170070		ALUMINUM FRAME						2	
39		40170071		ALUMINUM FRAME						2	
40		40170072		ALUMINUM FRAME						4	
41		40170073		ALUMINUM FRAME						2	
42		40170074		ALUMINUM FRAME						1	
43		40170075		BOLT						24	
44		40170076		STRUT						6	
45		40170019		POSITIONING PIN						8	

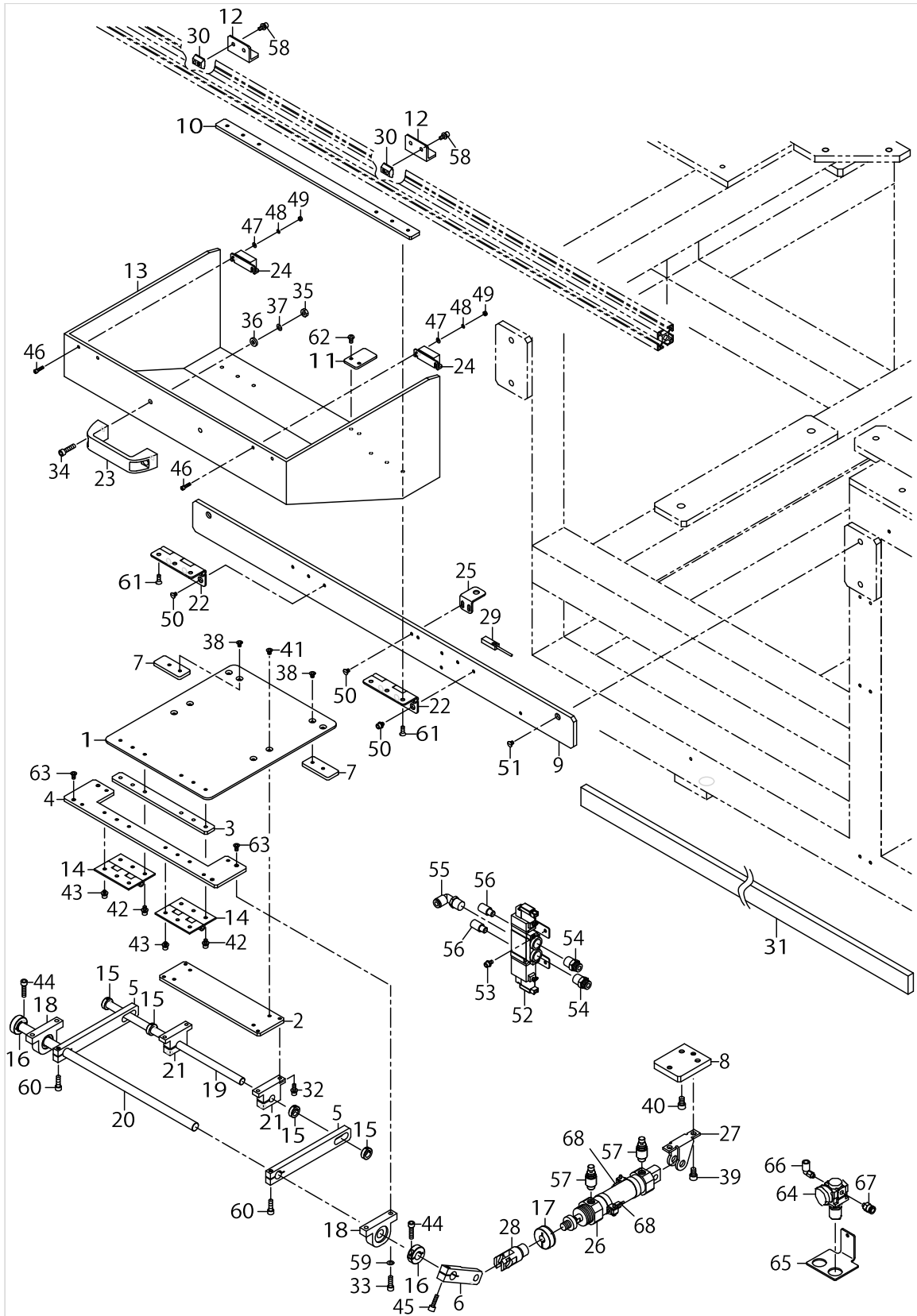
MAIN TABLE COMPONENTS



MAIN TABLE COMPONENTS

No.	Supply Code	Parts No.	Replacement	Parts name	Remarks	Choice	Step	Level	Cons	Qty	Rep. QTY
46		40170028		NUT						72	
47		40170029		NUT						78	
48		40170077		FRAME CAP						6	
49		SM1040801SC		SCREW M4X0.7 L=8						70	
50		40170382		POWER BOX FITTING PLATE						1	
51		SL6061492TN		BOLT						30	
52		SL6082592TN		BOLT						8	
53		SL6062092TN		SCREW M6 L=20						16	
54		SL6082092TN		BOLT						12	
55		SL6061492TN		BOLT						20	
56		40170379		SWITCH BASE						2	
57		40170381		SWITCH BASE B						1	
58		WS0410002KN		SPRING WASHER M4						24	
59		SL6061492TN		BOLT						4	
60		SL6061492TN		BOLT						4	
61		SL6051292TN		BOLT						4	
62		SL6061492TN		BOLT						4	
63		SM1040801SC		SCREW M4X0.7 L=8						12	
64		SM0040601SC		SCREW M4X0.7 L=6						12	
65		SM0040601SC		SCREW M4X0.7 L=6						8	

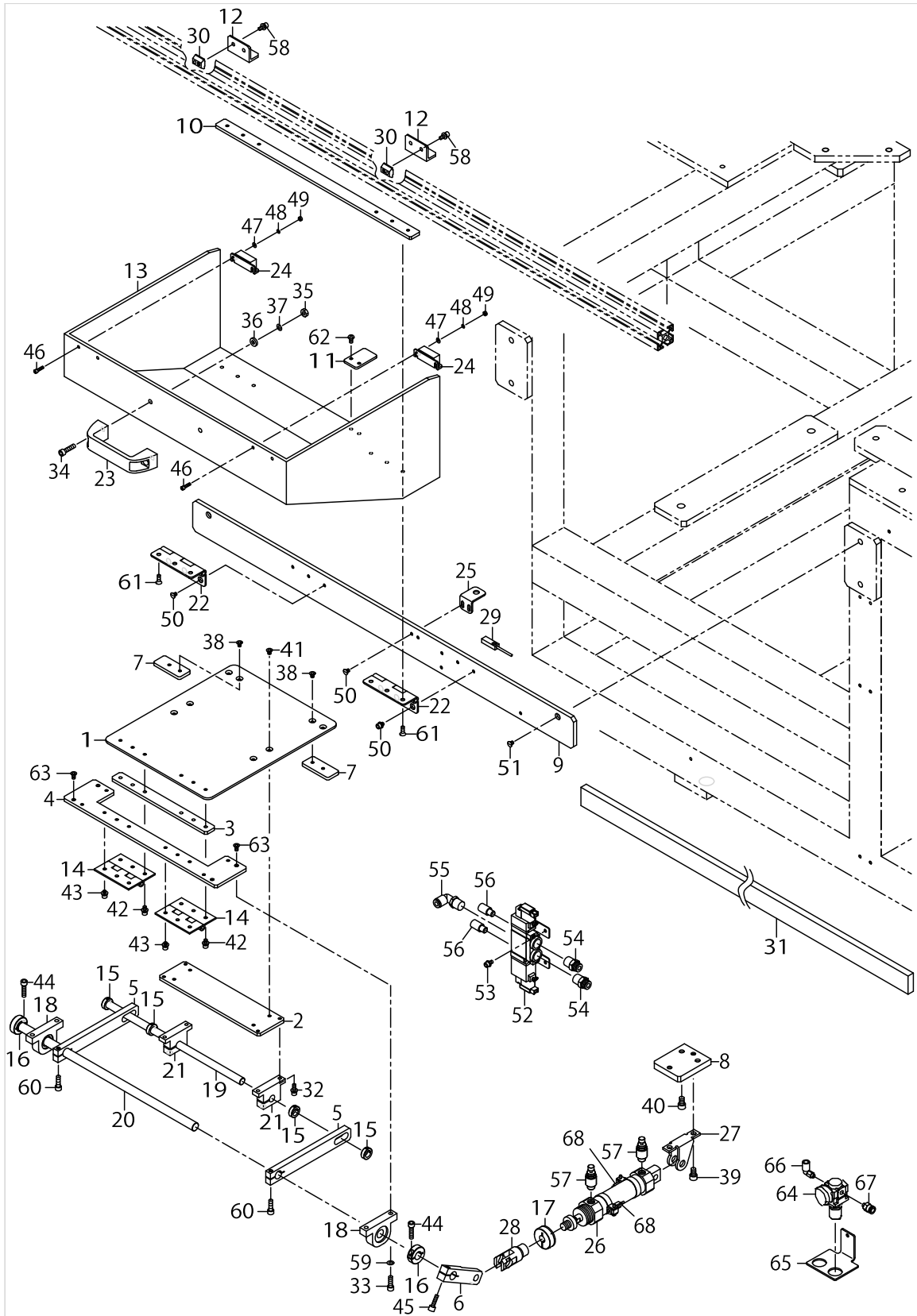
BOBBIN TAKEOFF OPENING COMPONENTS



BOBBIN TAKEOFF OPENING COMPONENTS

No.	Supply Code	Parts No.	Replacement	Parts name	Remarks	Choice	Step	Level	Cons	Qty	Rep. QTY
1		40170477		OPENING AND CLOSING PLATE						1	
2		40170478		PLATE A						1	
3		40170479		PLATE B						1	
4		40170480		PLATE C						1	
5		40170481		SWITCHING ARM						2	
6		40170482		CYLINDER ARM						1	
7		40170483		STOPPER						2	
8		40170484		CYLINDER BASE						1	
9		40170485		COVER BASE						1	
10		40170486		HINGE NUT						1	
11		40170487		STOPPER						1	
12		40170488		ANGLE						2	
13		40170489		OPENING AND CLOSING COVER						1	
14		40170078		HINGE						2	
15		40170079		COLOR						4	
16		40170080		COLOR						2	
17		40170081		COLOR						1	
18		40170082		BEARING HOLDER						2	
19		40170083		SHAFT						1	
20		40170084		SHAFT						1	
21		40170085		SHAFT HOLDER						2	
22		40170086		HINGE						2	
23		40170087		HANDLE						1	
24		40170088		MAGNET						2	
25		40170089		BRACKET						1	
26		40170090		CYLINDER						1	
27		PA900060000		CLEVIS HOLDER						1	
28		PA900071000		CYLINDER JOINT						1	
29		40180181		ROTATING SENSOR ASSY						1	
30		40170028		NUT						2	
31		40170094		SPONGE						1	
32		SL6041292TN		SCREW						4	
33		SM6051602TN		BOLT						4	
34		SM6062002TN		SCREW M6 L=20						2	
35		NM6060001SE		NUT M6						2	
36	R	WP0641601SE	WP0641601SC	WASHER M6						2	1.00
37	R	WS0610002KR	WS0610002KN	SPRING WASHER M6						2	1.00
38		SM1040852TP		DISH SCREW						4	
39		SM6061002TP		SCREW M6 L=10						2	
40		SM6061202TP		SCREW M6 L=12						2	
41		SM1040852TP		DISH SCREW						4	
42		SL6041092TN		SCREW						6	
43		SL6040692TN		BOLT						6	
44		SM6052002TP		SCREW M5 L=20						2	
45		SL6052092TN		SCREW						1	
46		SM6031202TN		SCREW M3X12						4	

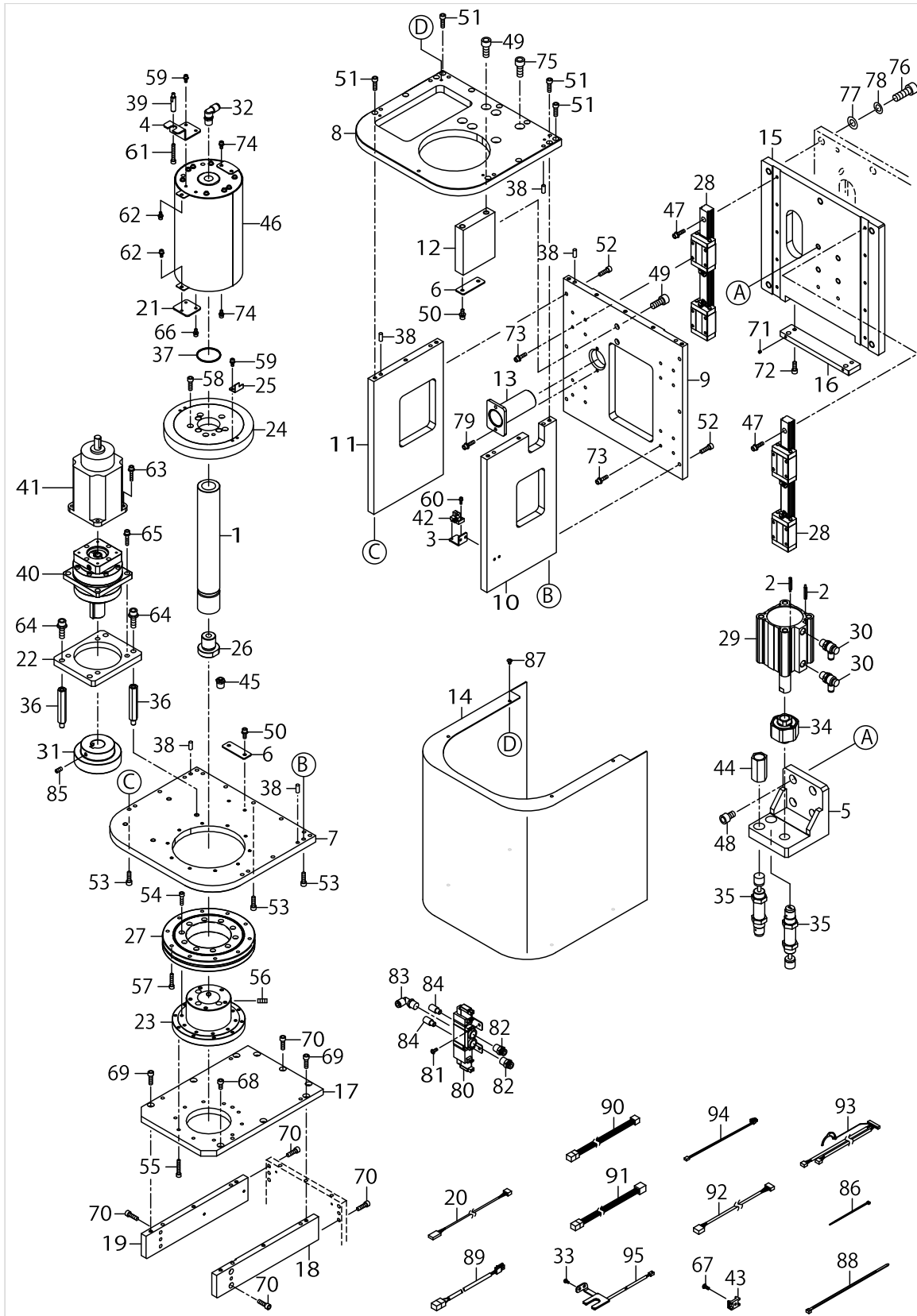
BOBBIN TAKEOFF OPENING COMPONENTS



BOBBIN TAKEOFF OPENING COMPONENTS

No.	Supply Code	Parts No.	Replacement	Parts name	Remarks	Choice	Step	Level	Cons	Qty	Rep. QTY
47	R	WP0320501SE	WP0320501SC	WASHER 3						8	1.00
48		WS0310002KR		SPRING WASHER 3.1X5.9X0.7						4	
49		NM6030001SE		HEX NUT						4	
50		SM1040650TP		SCREW						10	
51		SL6041092TN		SCREW						2	
52		PV150214000		5-PORT SOLENOID VALVE						1	
53		SL6040892TN		BOLT						2	
54		PJ301065201		HALF UNION 6XPT1/4						2	
55		PJ304065201		ELBOW UNION 6XPT1/4						1	
56		PX055104000		SILENCER (PT1/8)						2	
57		PC015106000		SPEED CONTROLLER						2	
58		SL6041092TN		SCREW						4	
59		WS0510002KR		SPRING WASHER M5						4	
60		SM6051602TN		BOLT						2	
61	R	SM1041201SP	SM1041201SC	SCREW M4X0.7 L=12						6	1.00
62		SM4040801SC		SCREW M4X0.7 L=8						4	
63		SM1040852TP		DISH SCREW						4	
64		PF0205010C0		AIR REGULATOR						1	
65		40058031		AIR REGULATOR BASE						1	
66		PJ304060502		ELBOW UNION 6XM5						1	
67		PJ301060503		HALF UNION						1	
68		40176067		AUTO SWITCH B ASM						2	

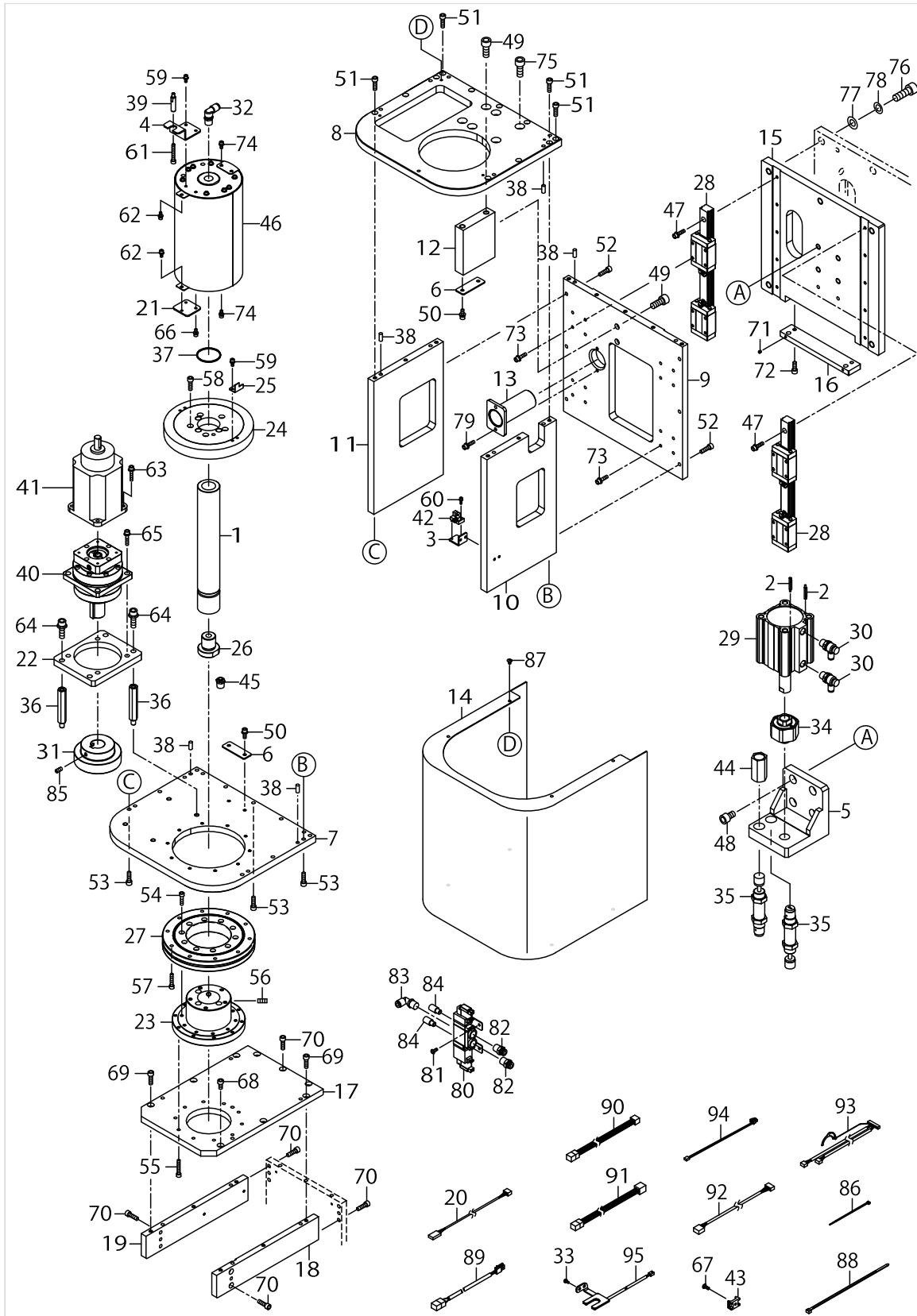
HEAD TIME MOTION COMPONENTS



HEAD TIME MOTION COMPONENTS

No.	Supply Code	Parts No.	Replacement	Parts name	Remarks	Choice	Step	Level	Cons	Qty	Rep. QTY
1		40170300		PIPE ADDITIONAL WORK						1	
2		40176067		AUTO SWITCH B ASM						2	
3		40170302		SENSOR PLATE						1	
4		40170303		ROTATION STOP						1	
5		40170304		UP AND DOWN ANGLE						1	
6		40170305		STOPPER						2	
7		40170306		LOWER FACE PLATE						1	
8		40170307		TOP PLATE						1	
9		40170308		REAR PLATE						1	
10		40170309		RIGHT SIDE PLATE						1	
11		40170310		LEFT SURFACE PLATE						1	
12		40170311		RIB						1	
13		40170312		WIRING PIPE						1	
14		40170313		TOP COVER						1	
15		40170314		GUIDE PLATE						1	
16		40170315		GUIDE PLATE SUPPORT						1	
17		40170316		PIVOT PLATE						1	
18		40170317		SIDE PLATE R						1	
19		40170299		SIDE PLATE L						1	
20		40176060		TOP RT ORG CABLE ASM						1	
21		40170325		COVER STOP						1	
22		40170326		MOTOR BRACKET						1	
23		40170327		ROTATING GEAR RING						1	
24		40170328		DRIVEN GEAR ADDITIONAL WORK						1	
25		40170329		ROTATION DOG						1	
26		40170332		CAP A						2	
27		40170095		CROSS ROLLER RING						1	
28		40170096		LINEAR GUIDE						2	
29		40170097		HEAD UP AND DOWN CYLINDER						1	
30		40170098		SPEED CONTROLLER						2	
31		40170099		DRIVE GEAR						1	
32		40170100		ROTARY JOINT						1	
33		SL4030891SC		SCREW M3X8						2	
34		40170103		FLOATING JOINT						1	
35		40170104		SHOCK ABSORBER						2	
36		40170105		STRUT						4	
37		40170106		SPACER						1	
38		40170108		POSITIONING PIN						12	
39		40170109		CIRCULAR POSTS						1	
40		40170110		SPEED ??REDUCER						1	
41		40169647		ROTATING MOTOR						1	
42		HD00057000A		PHOTO SENSOR						1	
43		HX004540000		TIE MOUNT						5	
44		40170113		STOPPER NUT						1	
45		40170114		JOINT						1	
46		40176090		SLIP RING						1	

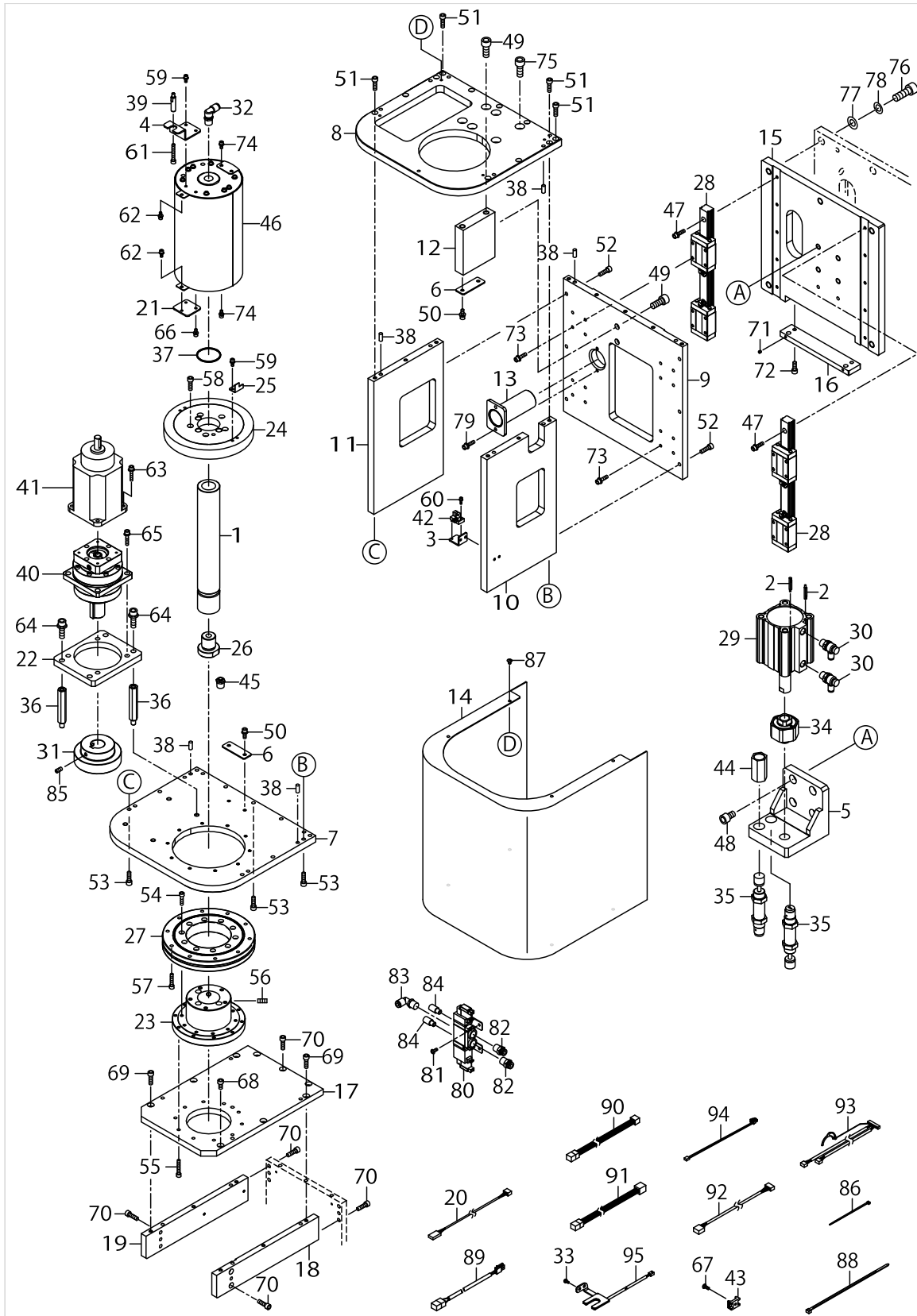
HEAD TIME MOTION COMPONENTS



HEAD TIME MOTION COMPONENTS

No.	Supply Code	Parts No.	Replacement	Parts name	Remarks	Choice	Step	Level	Cons	Qty	Rep. QTY
47		SL6052042TN		SCREW						10	
48	D	SM6101602TP		SCREW M10 L=16						4	
49		SM6102502TN		BOLT M10 L=25						4	
50		SL6051492TN		BOLT						4	
51		SM6062002TN		SCREW M6 L=20						11	
52		SM6062002TN		SCREW M6 L=20						6	
53		SM6062002TN		SCREW M6 L=20						11	
54		SM6052002TN		BOLT						10	
55		SM6053002TN		SCREW M5X0.8 L=30						10	
56		SM8082002TP		SCREW M8 L=20						2	
57		SM6052502TN		SCREW						10	
58		SM6062002TN		SCREW M6 L=20						5	
59		SL6041092TN		SCREW						4	
60		SL6031092TN		SCREW						1	
61		SM6053502TN		SCREW M5 L=35						1	
62		SL6041092TN		SCREW						2	
63		SL6052592TN		BOLT						4	
64		SL6082592TN		BOLT						4	
65		SL6052592TN		BOLT						4	
66		SL6041092TN		SCREW						2	
67		SM4040601SC		SCREW M4X0.7 L=6						5	
68		SM6061202TN		BOLT						1	
69		SM6062002TN		SCREW M6 L=20						5	
70		SM6062002TN		SCREW M6 L=20						11	
71		SM8040412TP		SET SCREW M4 L=4						2	
72		SM6061602TN		SCREW M6 L=16						2	
73		SL6052092TN		SCREW						16	
74		SL6041092TN		SCREW						4	
75		SM6102502TN		BOLT M10 L=25						4	
76		SM6123502TT		SCREW M12 L=35						5	
77		WP1302501SE		WASHER M12						5	
78	R	WS1220002KN	WS1220002KP	SPRING WASHER						5	1.00
79		SL6052092TN		SCREW						2	
80		PV150214000		5-PORT SOLENOID VALVE						1	
81		SL6040892TN		BOLT						2	
82		PJ301065201		HALF UNION 6XPT1/4						2	
83		PJ304065201		ELBOW UNION 6XPT1/4						1	
84		PX055104000		SILENCER (PT1/8)						2	
85		SM8061212TP		SCREW M6X12						2	
86		EA9500B0100		CABLE BAND						10	
87		SM0040601SC		SCREW M4X0.7 L=6						8	
88		HX00065000A		CABLE CLIP						5	
89		40176037		HEAD TOP PWR RLY CABLE ASM						1	
90		40176038		HEAD TOP SPI RLY CABLE ASM						1	
91		40176039		HEAD TOP ENC RLY CABLE ASM						1	
92		40176040		PRESSURE MTR CABLE ASM						1	

HEAD TIME MOTION COMPONENTS



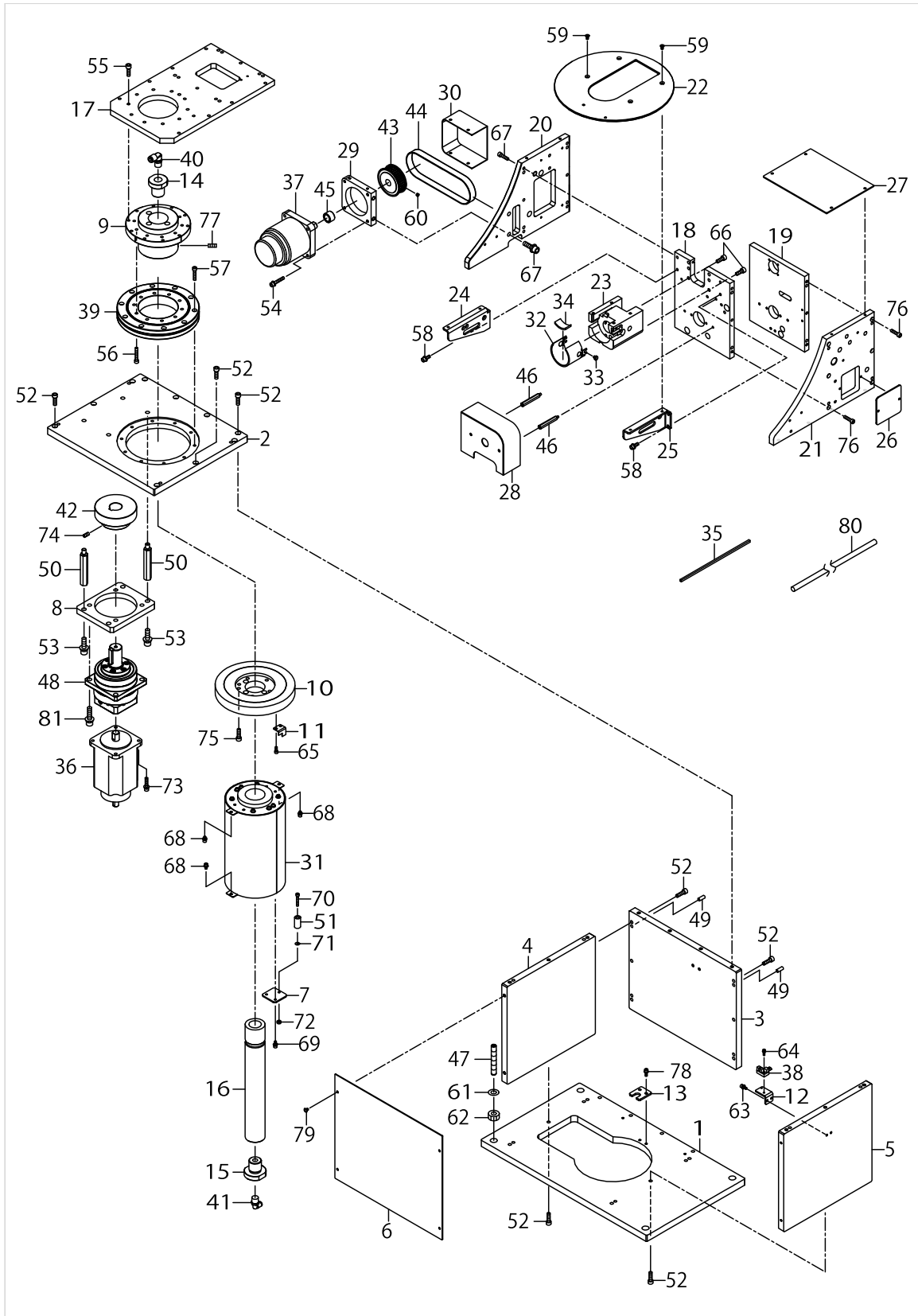
HEAD TIME MOTION COMPONENTS

No.	Supply Code	Parts No.	Replacement	Parts name	Remarks	Choice	Step	Level	Cons	Qty	Rep. QTY
93		40176072		TOP SENSOR CABLE A ASM						1	
94		40176074		TOP SOLV CABLE A ASM						1	
95		40185865		LED ASM(XYT)						1	

HOOK PART TIME MOTION COMPONENTS (1)

No.	Supply Code	Parts No.	Replacement	Parts name	Remarks	Choice	Step	Level	Cons	Qty	Rep. QTY
1		40170318		LOWER ADJUSTMENT PLATE						1	
2		40170319		UPPER AND LOWER PLATE						1	
3		40170320		UNDER THE REAR PLATE						1	
4		40170321		UNDER R PLATE						1	
5		40170322		UNDER L PLATE						1	
6		40170323		FRONT COVER						1	
7		40170325		COVER STOP						1	
8		40170326		MOTOR BRACKET						1	
9		40170327		ROTATING GEAR RING						1	
10		40170328		DRIVEN GEAR ADDITIONAL WORK						1	
11		40170329		ROTATION DOG						1	
12		40170330		SENSOR PLATE						1	
13		40170331		ROTATION STOP						1	
14		40170332		CAP A						1	
15		40170333		CAP B						1	
16		40170334		PIPE ADDITIONAL WORK						1	
17		40170337		BED ROTATING BASE						1	
18		40170338		FRONT PLATE						1	
19		40170339		REAR PLATE						1	
20		40170340		LEFT SURFACE PLATE						1	
21		40170341		RIGHT SIDE PLATE						1	
22		40170342		ROUND TABLE						1	
23		40170343		ARM						1	
24		40170344		TABLE SUPPORT L						1	
25		40170345		TABLE SUPPORT R						1	
26		40170346		SIDE COVER						1	
27		40170347		TOP COVER						1	
28		40170348		INNER BELT COVER						1	
29		40170361		MOTOR BRACKET						1	
30		40170362		OUTSIDE BELT COVER						1	
31		40176090		SLIP RING						1	
32		14443402		HOOK OIL PREVENTION PLATE						1	
33		SS6110480SP		SCREW 11/64-40 L=4.3						1	
34		10126704		OIL FELT						1	
35		13530308		SHUTTLE ONCE THROUGH FELT						1	
36		40169647		SERVO_MOTOR_800W						1	
37		40053326		SERVO MOTOR 550W						1	
38		HD00057000A		PHOTO SENSOR						1	
39		40170095		CROSS ROLLER RING						1	
40		40170100		ROTARY JOINT						1	
41		40170101		L-TYPE JOINT						1	
42		40170099		DRIVE GEAR						1	
43		40170133		MOTOR PULLEY						1	
44		40170134		TIMING BELT BELT						1	
45		40170135		COLOR						1	
46		40170136		STRUT						2	

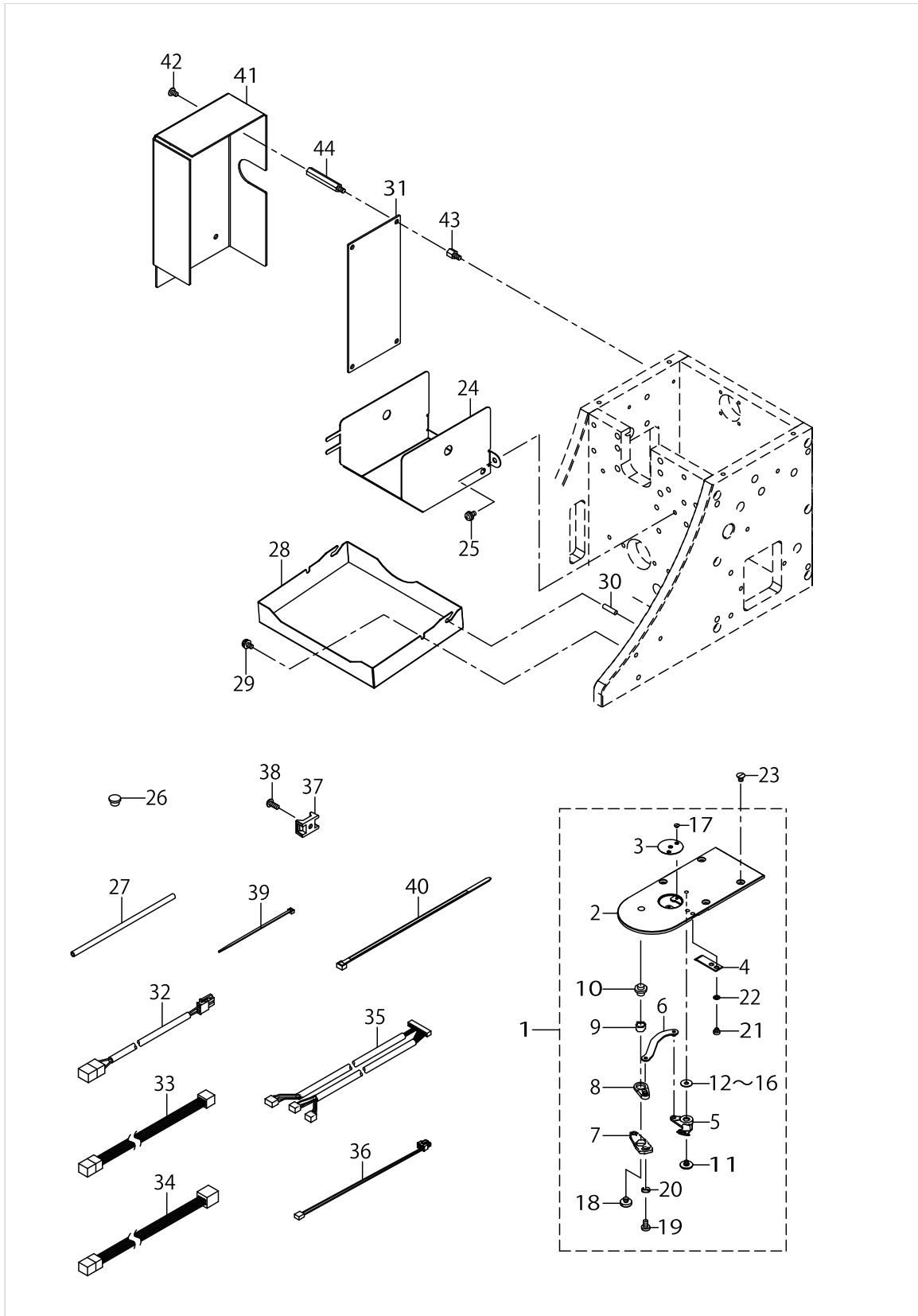
HOOK PART TIME MOTION COMPONENTS (1)



HOOK PART TIME MOTION COMPONENTS (1)

No.	Supply Code	Parts No.	Replacement	Parts name	Remarks	Choice	Step	Level	Cons	Qty	Rep. QTY
47		40170140		SCREW						4	
48		40170110		SPEED ??REDUCER						1	
49		40170108		POSITION_PIN						26	
50		40170143		HEX SUPPORT						4	
51		40170144		POSITIONING PIN						1	
52		SM6062002TN		SCREW M6 L=20						26	
53		SL6082592TN		BOLT						4	
54		SL6053092TN		SCREW						4	
55		SM6052002TN		BOLT						10	
56		SM6053002TN		SCREW M5X0.8 L=30						10	
57		SM6052502TN		SCREW						10	
58		SL6051492TN		BOLT						4	
59		SM1040852TP		DISH SCREW						4	
60		SM8061002TP		SCREW M6 L=10						2	
61		WP1052001SC		WASHER 10						12	
62	R	NM6100001SE	NM6100001SC	NUT						12	1.00
63		SL6041092TN		SCREW						2	
64		SL6031092TN		SCREW						2	
65		SM6041002TN		BOLT						2	
66		SM6061602TN		SCREW M6 L=16						4	
67		SL6082592TN		BOLT						4	
68		SL6040692TN		BOLT						3	
69		SL6041092TN		SCREW						4	
70		SM6042502TN		SCREW M4X0.7 L=25						1	
71		WP0430801SE		WASHER 4.3X9X0.8						1	
72		NM6040001SE		NUT M4						1	
73		SL6052592TN		BOLT						4	
74		SM8061212TP		SCREW M6X12						2	
75		SM6062002TN		SCREW M6 L=20						5	
76		SM6052002TN		BOLT						15	
77		SM8082002TP		SCREW M8 L=20						2	
78		SL6041292TN		SCREW						2	
79		SM0040601SC		SCREW M4X0.7 L=6						4	
80		CQ202000000		COTTON OIL WICK D=2						.35	
81		SL6082592TN		BOLT						4	

HOOK PART TIME MOTION COMPONENTS (2)



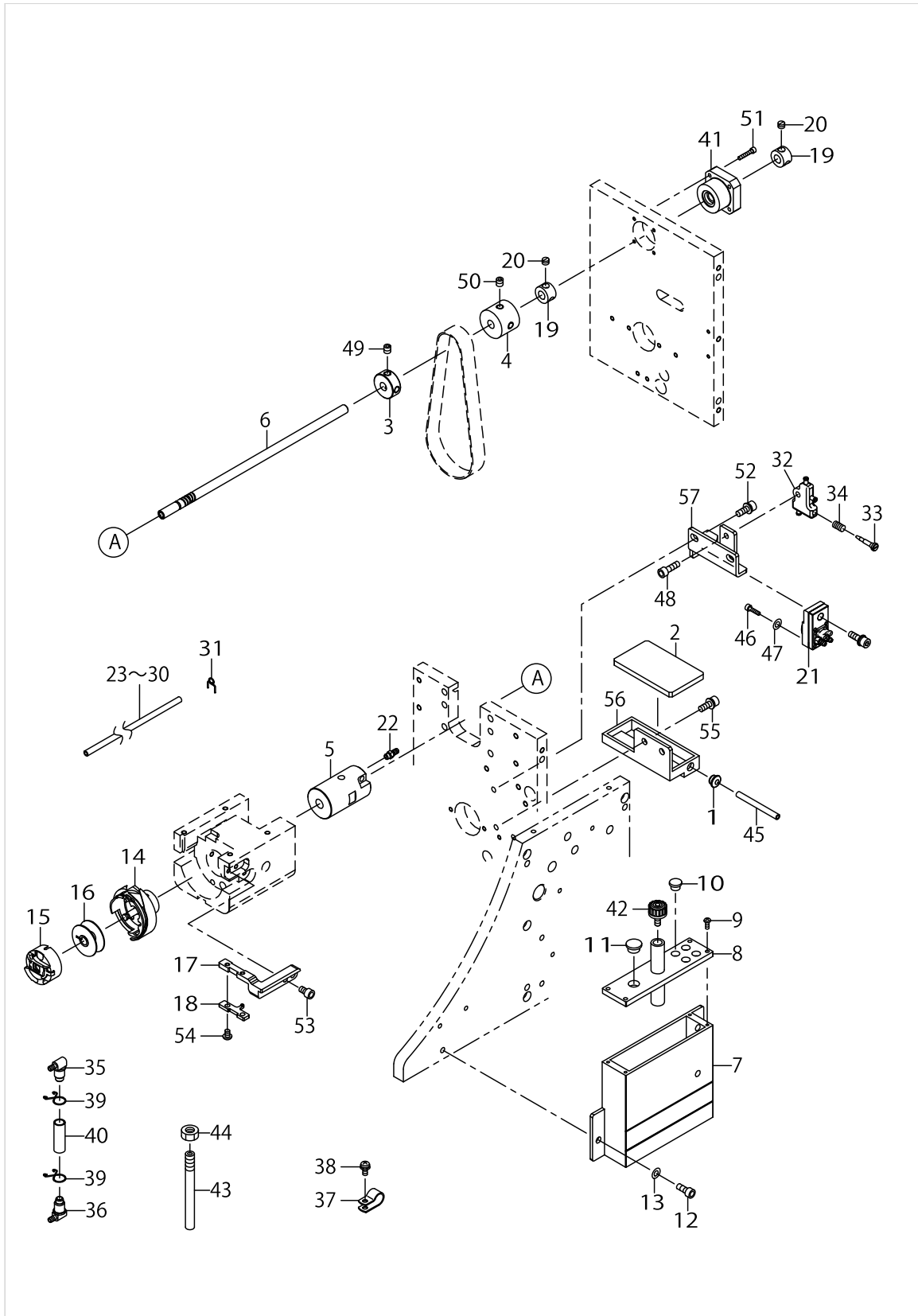
HOOK PART TIME MOTION COMPONENTS (2)

No.	Supply Code	Parts No.	Replacement	Parts name	Remarks	Choice	Step	Level	Cons	Qty	Rep. QTY
1		40135368		NEEDLE PLATE ASM						1	
2		40135369		NEEDLE PLATE				*		1	
3		14439608		NEEDLE HOLE GUIDE D=3				*		1	
4		40135370		FIXING KNIFE				*		1	
5		14440309		MOVING KNIFE				*		1	
6		14440457		MOVING KNIFE LINK COMPL.				*		1	
7		B24142800A0		THREAD CUTTER L- EVER ASM. LARG				*		1	
8		14440556		LEVER TYPE COMPL.				*		1	
9		B2416280000		THREAD CUTTING LEVER RING				*		1	
10		B2417280000		THREAD CUTTER LEVER SHAFT				*		1	
11		B2417210000		MOVING KNIFE HINGE SCREW				*		1	
12		B242328000A		MOVING KNIFE WASHER A	SELECTIVE PARTS			*		1	
13		B242328000B		MOVING KNIFE WASHER B	SELECTIVE PARTS			*		1	
14		B242328000C		MOVING KNIFE WASHER C	SELECTIVE PARTS			*		1	
15		B242328000D		MOVING KNIFE WASHER D	SELECTIVE PARTS			*		1	
16		B242328000E		MOVING KNIFE WASHER E	SELECTIVE PARTS			*		1	
17		SS1060210TP		SCREW 3/32-56 L=2.2				*		2	
18		SS6110430TP		SCREW 11/64-40 L=4.0				*		1	
19		SS7110740TP		SCREW 11/64-40 L=7				*		1	
20		WP0450846SP		WASHER				*		1	
21		SM6030350SD		SCREW M3 L=2.9				*		2	
22		WP0320500SD		M3 WASHER				*		2	
23		SS1110640TP		SCREW 11/64-40 L=5.5						4	
24		40181477		OIL_GUARD						1	
25		SL4040891SC		SCREW M4 L=8						2	
26		40126582		RUBBER_PLUG						1	
27		23630007		TUBE						.4	
28		40181478		OIL_RECEIVE_PLATE						1	
29		SL4040891SC		SCREW M4 L=8						2	
30		PS0400162KP		SPRING PIN						2	
31		40176113		HEAD PCB ASM						1	
32		40176051		HEAD BTM PWR RLY CABLE ASM						1	
33		40176052		HEAD BTM SPI RLY CABLE ASM						1	
34		40176053		HEAD BTM ENC RLY CABLE ASM						1	
35		40176073		BTM SENSOR CABLE A ASM						1	
36		40176075		BTM SOLV CABLE A ASM						1	
37		HX004540000		TIE MOUNT						5	
38		SM4040601SC		SCREW M4X0.7 L=6						5	
39		EA9500B0100		CABLE BAND						10	
40		HX00065000A		CABLE CLIP						5	
41		40170288		HOOK_BOARD_COVER						1	
42		SM0040601SC		SCREW M4X0.7 L=6						4	
43		HX00339000E		SPACER						4	
44		HX00339000D		SPACER						4	

HOOK SHAFT COMPONENTS

No.	Supply Code	Parts No.	Replacement	Parts name	Remarks	Choice	Step	Level	Cons	Qty	Rep. QTY
1		40126582		RUBBER_PLUG						1	
2		40170286		OIL_SHIELD_FELT						1	
3		40170349		LOCATING RING						1	
4		40170351		HOOK SHAFT PULLEY						1	
5		40170353		HOOK SHAFT METAL						1	
6		40170354		HOOK SHAFT						1	
7		40170280		OIL_TANK						1	
8		40170281		OIL_TANK_LID						1	
9		ST4030851SN		SCREW						4	
10		40126582		RUBBER_PLUG						4	
11		TA1050504R0		RUBBER PLUG						1	
12		SM6051202TP		SCREW M5X0.8 L=12						3	
13		WP0531001SC		WASHER M5						3	
14		40135374		LUBRICATION HOOK ASM						1	
15		40139614		BOBBIN CASE ASM						1	
16		40135372		BOBBIN						1	
17		40135365		INNER HOOK STOPPER BASE						1	
18		40135366		INNER HOOK STOPPER						1	
19		CS0801011TH		THRUST COLLAR D=8 W=10						2	
20		SS8660410SP		SCREW 1/4-40 L=4.2						4	
21		40101719		PUMP_BASE_ASSY						1	
22		SQ2050452MZ		CONNECTING SCREW						2	
23		23630007		TUBE						.19	
24		23630007		TUBE						.25	
25		23630007		TUBE						.23	
26		23630007		TUBE						.27	
27		23630007		TUBE						.175	
28		23630007		TUBE						.15	
29		23630007		TUBE						.19	
30		23630007		TUBE						.23	
31		23629306		PIPE STOPPER A						24	
32		40032804		BASE						1	
33		40170298		SCREW						1	
34		40170147		SPRING						1	
35		23630650		OIL FILTER JOINT ASM.						1	
36		23630601		OIL FILTER JOINT						1	
37		HX00150000D		CABLE CLIP						2	
38		SL4041041SC		SCREW M4X10						2	
39		23629405		PIPE STOPPER B						2	
40		23630106		TUBE B						.03	
41		40170117		THRUST HOLDER						1	
42		40170137		KNOB						1	
43		40170138		PIPE						1	
44		40170139		NUT						1	
45		23630007		TUBE						.2	
46		SM6051602TP		SCREW M5X0.8 L=16						4	

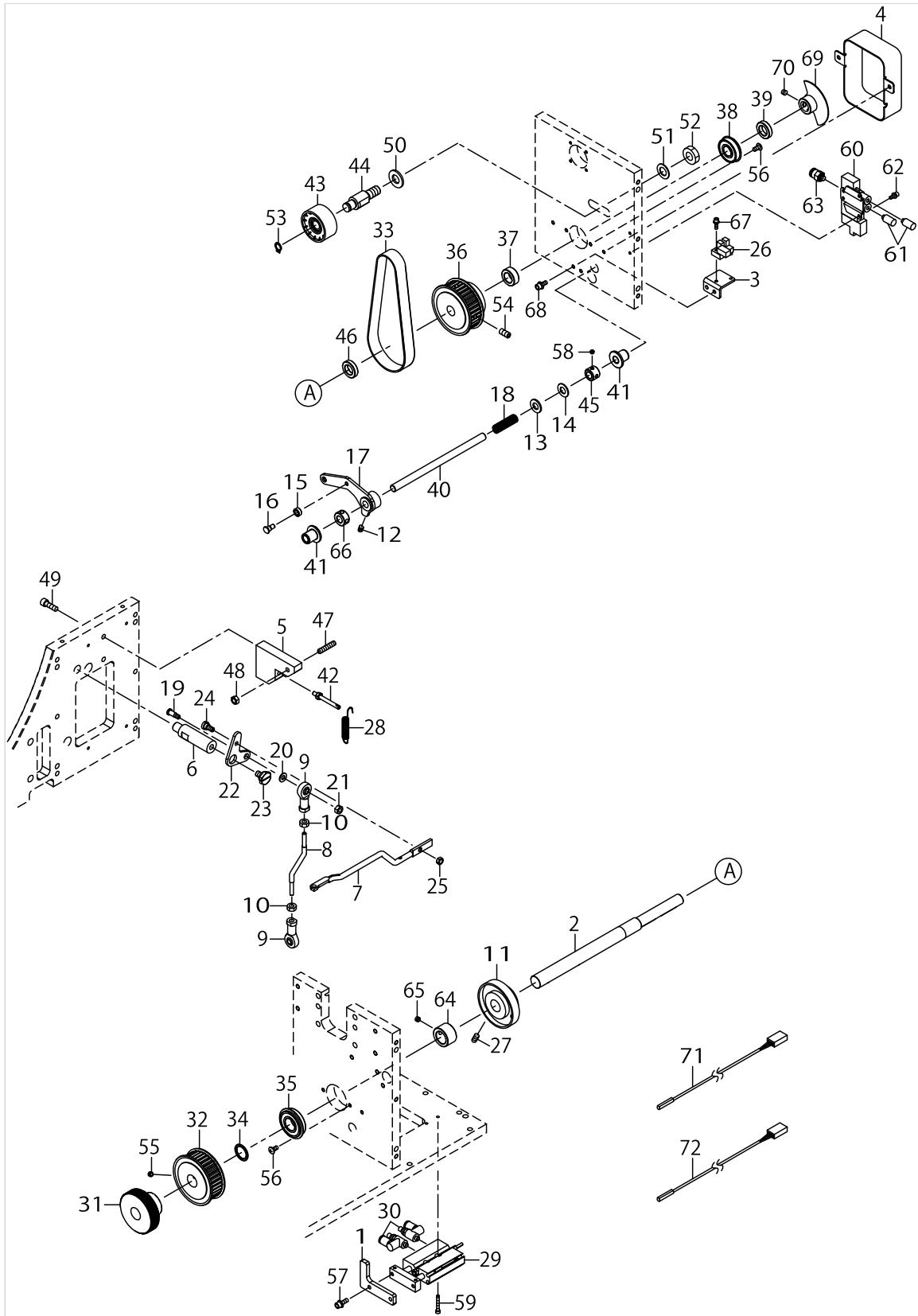
HOOK SHAFT COMPONENTS



HOOK SHAFT COMPONENTS

No.	Supply Code	Parts No.	Replacement	Parts name	Remarks	Choice	Step	Level	Cons	Qty	Rep. QTY
47		WP0531001SC		WASHER M5						4	
48		SM6051602TP		SCREW M5X0.8 L=16						1	
49		SS8660612TP		SCREW 1/4-40 L=6						2	
50		SS8660612TP		SCREW 1/4-40 L=6						2	
51		SM6031602TN		SCREW M3 L=16						4	
52		SL6051492TN		BOLT						2	
53		SM6040802TP		SCREW M4X0.7 L=8						2	
54		SM4040655SP		SCREW M4 L=6						2	
55		SL6051292TN		BOLT						2	
56		40170283		OIL_SHIELD_TANK						1	
57		40170285		PUMP_BRACKET						1	

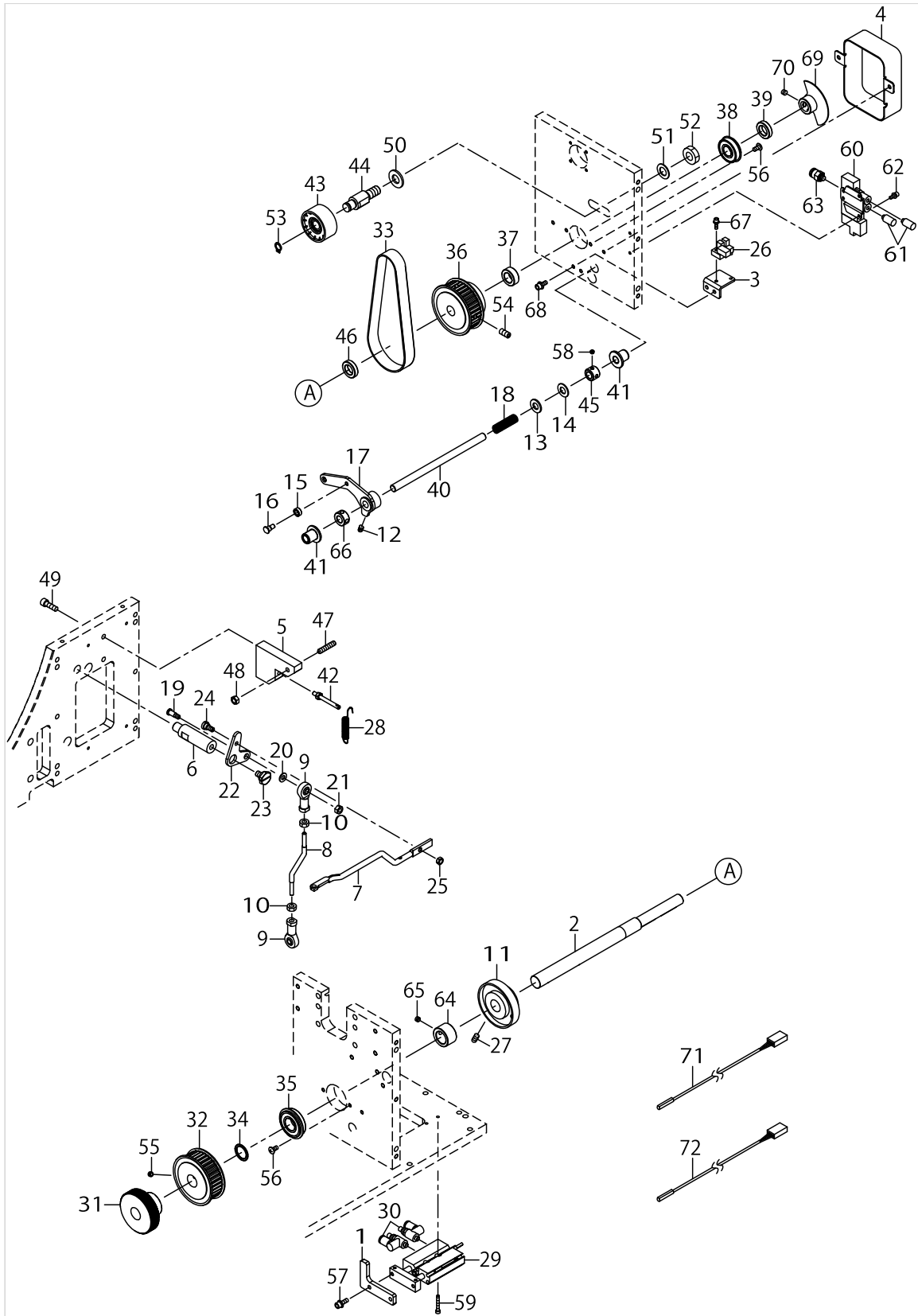
SHUTTLE DRIVER SHAFT & THREAD TRIMMER MECHANISM COMPONENTS



SHUTTLE DRIVER SHAFT & THREAD TRIMMER MECHANISM COMPONENTS

No.	Supply Code	Parts No.	Replacement	Parts name	Remarks	Choice	Step	Level	Cons	Qty	Rep. QTY
1		40170350		THREAD CUTTING CYLINDER ARM						1	
2		40170355		CAM SHAFT						1	
3		40170357		SENSOR PLATE						1	
4		40170358		SENSOR COVER						1	
5		40170359		STOPPER PLATE						1	
6		40170360		STRUT						1	
7		40170365		THREAD CUTTING COUPLING ROD						1	
8		40170366		THREAD SWITCHING CONNECTING ROD						1	
9	R	40086710	40136701	ROD_END						2	1.00
10		NM6050001SE		NUT M5X0.8 TYPE1						2	
11		B2401210D00		THREAD TRIMMER CAM						1	
12		SS8150822TP		SCREW 15/64-28 L=8						1	
13		B1116804000		CLOTH PLATE WASHER						1	
14		B1223771000		NEEDLE ROD CRANK WASHER						1	
15		D2587L8WB00		ROLLER						1	
16		D2588L8WB00		ROLLER SHAFT						1	
17		14109250		CAMFOLLOWERASM.						1	
18		B2617771000		TRIPPING LEVER T-ENSION SPRING						1	
19		SD0500803TP		HINGESCREW D=5H=8						2	
20		WP0501016SD		WASHER 5X10.5X1						1	
21		NS6110420SP		NUT 11/64-40						2	
22		B2411210000		THREAD TRIMMER LINK						1	
23		SD1100301TP		HINGE SCREW H=11 W=3						1	
24		SD0650305TP		HINGE SCREW D=6.5 H=3						1	
25		NS6120310SP		NUT 3/16-28						1	
26		HD00057000A		PHOTO SENSOR						1	
27		SS8661012TP		SCREW						2	
28		14109300		THREAD TRIM LINK SPRING						1	
29		40170115		THREAD CUTTING CYLINDER						1	
30		40170116		SPEED CONTROLLER						2	
31		40170118		HANDLE						1	
32		40170119		DRIVEN PULLEY						1	
33		40170120		TIMING BELT						1	
34		40170121		WASHER						1	
35		40170122		BEARING						1	
36		40170123		CONSOLIDATED PULLEY						1	
37		40170124		WASHER						1	
38		40170125		BEARING						1	
39		40170126		WASHER						1	
40		40170128		SLIDE SHAFT						1	
41		40170129		OIL FREE BUSHING						2	
42		40170130		SPRING POST						1	
43		40170131		IDLER PULLEY						1	
44		40170132		IDLER SHAFT						1	
45		40170142		SET COLOR						1	

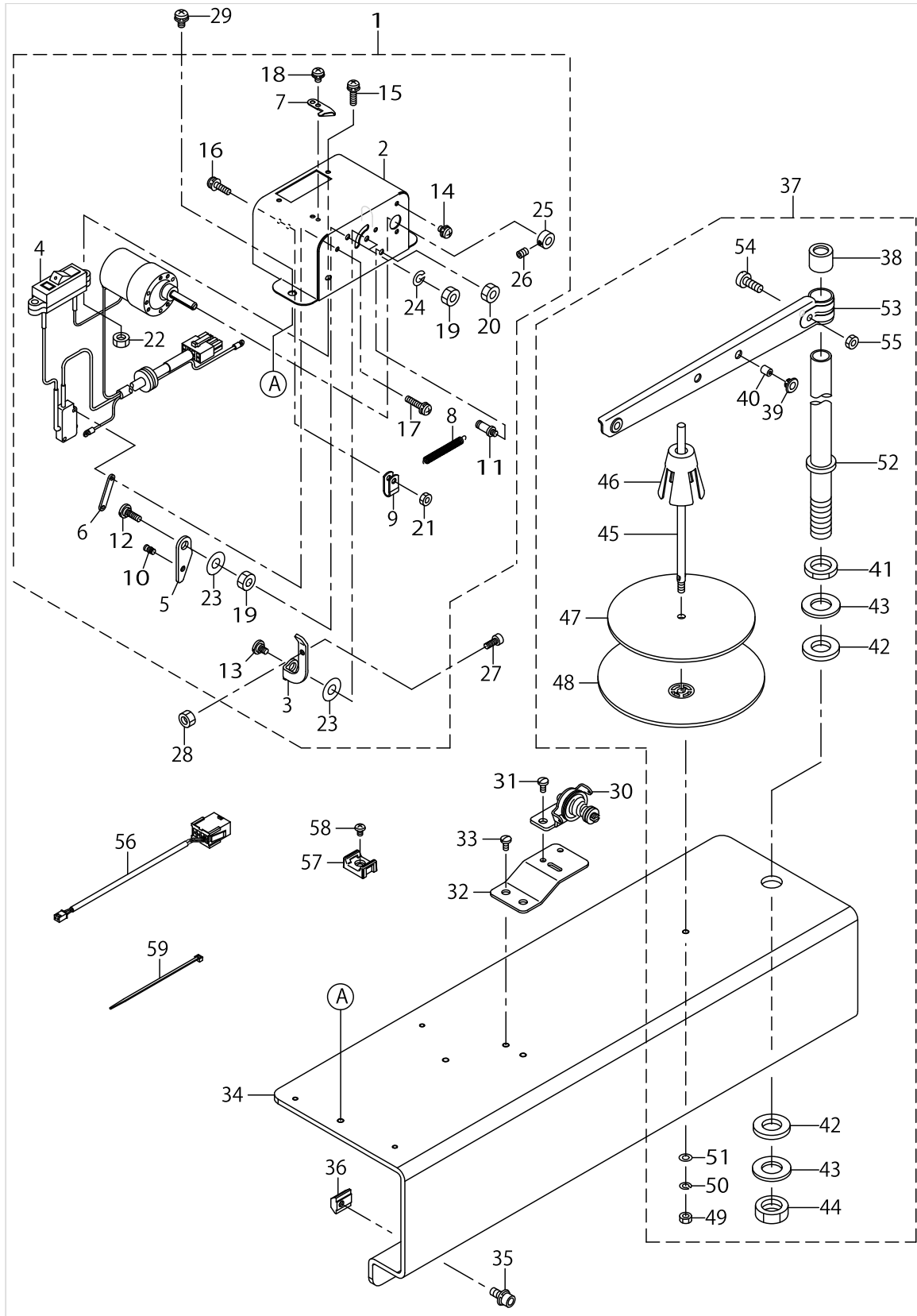
SHUTTLE DRIVER SHAFT & THREAD TRIMMER MECHANISM COMPONENTS



SHUTTLE DRIVER SHAFT & THREAD TRIMMER MECHANISM COMPONENTS

No.	Supply Code	Parts No.	Replacement	Parts name	Remarks	Choice	Step	Level	Cons	Qty	Rep. QTY
46		40170126		WASHER						1	
47		SM8052502TP		SCREW M5X0.8 L=25						1	
48		NM6050001SE		NUT M5X0.8 TYPE1						1	
49		SM6051602TP		SCREW M5X0.8 L=16						2	
50		WP1052001SC		WASHER 10						1	
51		WP1021016SD		WASHER						1	
52	R	NM6100001SE	NM6100001SC	NUT						1	1.00
53		RC0740816K0		C-RING 8 (7.4)						1	
54		SM8061212TP		SCREW M6X12						2	
55		SM8061002TP		SCREW M6 L=10						2	
56		SM0040801SC		SCREW						4	
57		SL6041292TN		SCREW						2	
58		SS8660410SP		SCREW 1/4-40 L=4.2						2	
59		SM6032002TP		SCREW M3X0.5 L=20						2	
60		PV1502060B0		5-PORT SOLENOID VALVE						1	
61		PX050501000		SILENCER						2	
62		SL6030692TN		SCREW M3 L=6						2	
63		PJ301060503		ELBOW						1	
64		40185862		ECCENTRIC CAM						1	
65		SM8050412TP		SCREW M5 L=4						1	
66		CS080081BSH		THRUST COLLAR ASM. D=8.0 W=8						1	
67		SL6031092TN		SCREW						1	
68		SL6041092TN		SCREW						2	
69		40180196		SENSOR_SLIT_ASM						1	
70		SM8050402TP		SCREW						2	
71		40176078		TC S SENSOR ASM						1	
72		40176079		TC B SENSOR ASM						1	

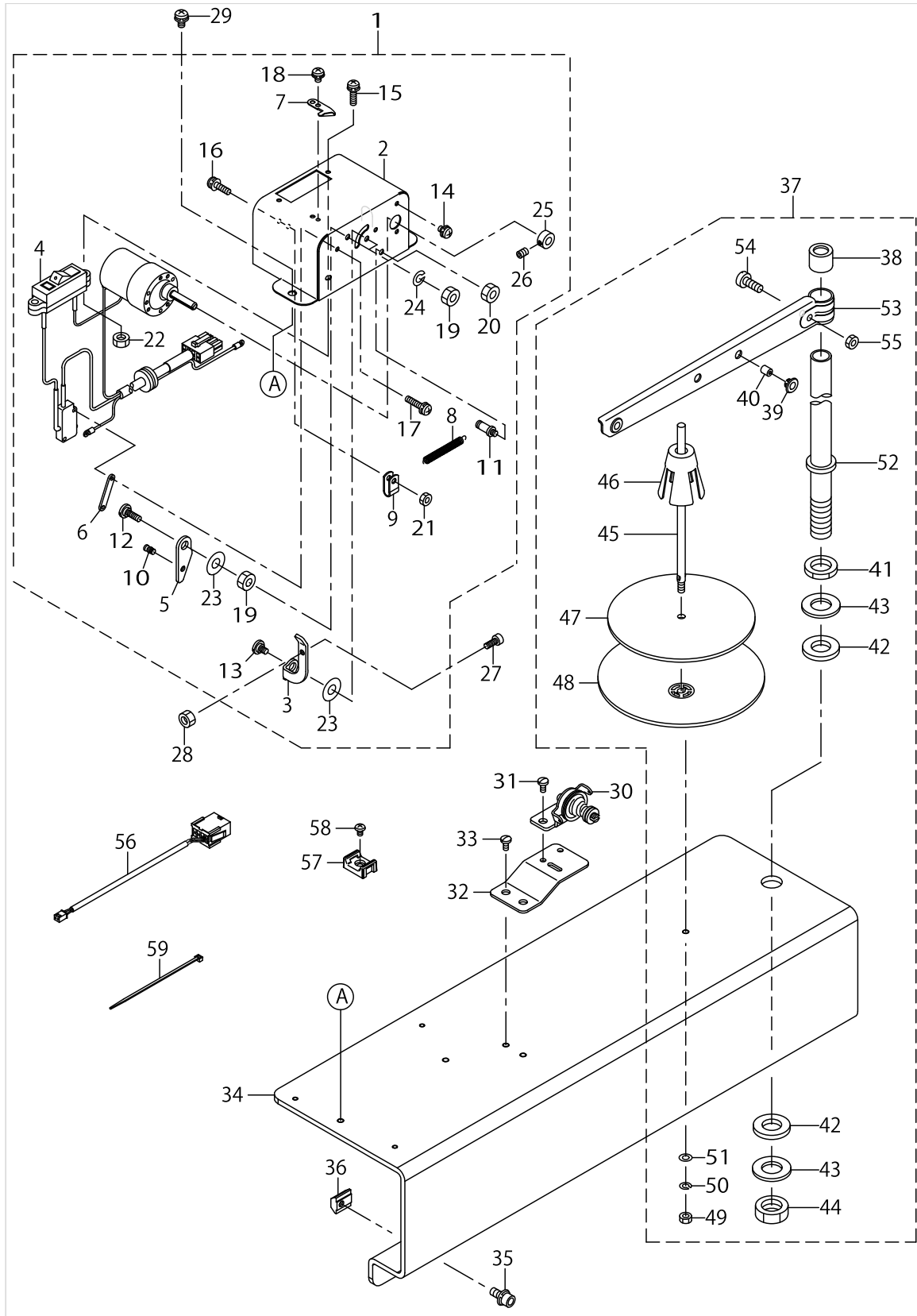
BOBBIN THREAD WIDING DEVICE COMPONENTS



BOBBIN THREAD WIDING DEVICE COMPONENTS

No.	Supply Code	Parts No.	Replacement	Parts name	Remarks	Choice	Step	Level	Cons	Qty	Rep. QTY
1		40170276		BOBBIN_THREAD_WINDING_DEVICE						1	
2		13870209		BOBBIN THREAD COVER				*		1	
3		13870605		BOBBIN GUIDE				*		1	
4	R	13874003	13874052	MOTOR ASM.				*		1	1.00
5	D	13889704		SWITCH PUSHING PLATE				*		1	
6		22954408		STOPPER PLATE				*		1	
7		10502300		THREAD CUTTER				*		1	
8		B3041980000		SPRING				*		1	
9		HX001230000		CABLE CLIP				*		1	
10	R	B1110280000	26017400	THREAD CUTTING LINK SPRING RAC				*		1	1.00
11		B3413227000		SPRINGSUSPENSION				*		1	
12		SD0720222TP		HINGE SCREW D=7.24 H=2.2				*		1	
13		SD0720221SP		HINGE SCREW D=7.24 H=2.2				*		1	
14		SL4030591SC		SCREW M3 L=5				*		3	
15		SL4031281SC		SCREW M3 L=12				*		2	
16		SL4031281SC		SCREW M3 L=12				*		2	
17		SL4031481SC		SCREW M3X14				*		2	
18		SL4030591SC		SCREW M3 L=5				*		1	
19		NS6110420SP		NUT 11/64-40				*		3	
20		NS6110420SP		NUT 11/64-40				*		1	
21		NM6030001SC		NUT M3X0.5 TYPE1				*		2	
22		NM6030001SC		NUT M3X0.5 TYPE1				*		2	
23		WP0551016SH		WASHER 5.5X13X1				*		2	
24		WS0451040KP		SPRING WASHER 4.5X8.5X1				*		2	
25		40178525		BOBBIN_WINDER_SHAFT				*		1	
26		SM8040402TP		SCREW M4X0.7 L=4				*		2	
27		G8031875000		BOBBIN PRESSER BOSS						1	
28		NS6110420SP		NUT 11/64-40						1	
29		SL4051091SC		SCREW M5X0.8 L=10						2	
30		13889951		BOBBIN GUIDE ASM.						1	
31		SS7110840SP		SCREW 11/64-40 L=7.8						1	
32		G3216270000		BOBBIN BASE						1	
33		SS7110840SP		SCREW 11/64-40 L=7.8						2	
34		40175674		BOBBIN_WINDER_PLATE						1	
35		SL6061492TN		BOLT						3	
36		40170028		NUT						3	
37		40181484		THREAD STAND ASM.						1	
38		40085793		SPOOL REST ROD RUBBER CAP				*		1	
39		40085795		THREAD GUIDE BUSHING				*		2	
40		40085794		THREAD GUIDE				*		2	
41		NM6160511SE		NUT M16X1.5				*		1	
42		40085796		SPOOL REST ROD RUBBER CUSHION				*		2	
43		WP1612616SE		WASHER 16X30X2.6				*		2	
44		40096325		SPOOL REST ROD NUT				*		1	
45	R	22931000	40085790	SPOOL PIN				*		1	1.00

BOBBIN THREAD WIDING DEVICE COMPONENTS



BOBBIN THREAD WIDING DEVICE COMPONENTS

No.	Supply Code	Parts No.	Replacement	Parts name	Remarks	Choice	Step	Level	Cons	Qty	Rep. QTY
46		40085791		SPOOL RETAINER				*		1	
47		40085789		SPOOL REST CUSHION				*		1	
48		40085788		SPOOL REST				*		1	
49		NM6050001SE		NUT M5X0.8 TYPE1				*		1	
50		WS0510002KN		SPRING WASHER M5				*		1	
51		WP0531001SC		WASHER M5				*		1	
52		40085784		SPOOL REST ROD LOWER				*		1	
53		40085787		SPOOL REST ARM UPPER				*		1	
54	R	40096327	SM4053001SE	SPOOL REST ARM UPPER SCREW				*		1	1.00
55		NM6050001SE		NUT M5X0.8 TYPE1				*		1	
56		40185872		BOBBIN WINDER PWR CABLE ASM						2	
57		HX004540000		TIE MOUNT						2	
58		SM4040601SC		SCREW M4X0.7 L=6						2	
59		EA9500B0100		CABLE BAND						2	

HOW TO MAKE USE OF THIS PARTS LIST

- 1.As to "#01" and "#02" refer to the "Note" given at the bottom of the respective pages.
- 2.Codes on the "Qty" column
 - Each numeral indicates the number of parts required.
 - "0.1" and "2.5" indicate the length (in meters) of the respective parts.
- 3.Parentheses mean that the corresponding part is a subpart that constructs an assembly part.
- 4.Dotted lines on the Figures indicate assembly parts.
- 5.As to the parts with marks of "☆"(Consumable parts)and "◎"(optional parts)on the respective parts, it is recommended to prepare spares.

1. リストページの#01、#02の印は、ページ下の"注記"の説明を参照下さい。
2. 数量欄の数字は、個数を表し、0.1、2.5等の数値は、長さ（単位メートル）を表します。
3. 数量欄の（ ）は、組部品を構成している子部品であることを意味します。
4. イラストページの-----枠は、組構成であることを意味します。
5. リストページの"☆"（消耗部品）、"◎"（オプション部品）の印が付いた部品は、予備を準備しておくことをお勧めします。

NUMERICAL INDEX OF PARTS

PART NO	PAGE	REF NO.	PART NO	PAGE	REF NO.	PART NO	PAGE	REF NO.
10126704	56	34	23630601	62	36	40030615	14	15
10502300	70	7	23630650	62	35	40030616	12	62
13122403	10	23	26211904	2	10	40030617	10	4
13122452	10	22	26218602	4	52	40030620	10	31
13301908	2	41	26226001	14	28	40030621	12	55
13301908	16	49	40003970	14	31	40030623	12	47
13302500	2	42	40006716	14	27	40030625	14	1
13302500	16	50	40008339	6	17	40030626	14	2
13530308	56	35	40010415	6	5	40030627	14	3
13705108	2	18	40010416	6	6	40030628	12	63~65
13705108	20	13	40010417	6	7	40030629	12	63~65
13748009	2	38	40010424	6	11	40030630	12	63~65
13870209	70	2	40010425	6	12	40032483	14	6
13870605	70	3	40010426	6	13	40032511	2	25
13874003	70	4	40010427	6	14	40032804	62	32
13889704	70	5	40010434	6	33	40043321	14	30
13889951	70	30	40010503	4	48	40050509	2	29
14109250	66	17	40010504	4	51	40050540	2	34
14109300	66	28	40012965	10	19	40053326	56	37
14439608	60	3	40023624	12	60	40058031	48	65
14440309	60	5	40023631	12	49	40068833	10	14
14440457	60	6	40024988	10	29	40068834	10	28
14440556	60	8	40024989	14	18	40068835	10	7
14443402	56	32	40024991	10	40	40074735	2	37
22891204	6	16	40025011	10	13	40075962	16	55
22901409	6	31	40025012	10	5	40077604	6	24
22902506	2	4	40025414	2	12	40077605	6	25
22907505	10	45	40025415	10	8	40077925	12	58
22907554	10	44	40025418	14	20	40077938	14	17
22907604	12	46	40025423	14	8	40078079	8	49
22920409	18	3	40025427	10	2	40078107	8	51
22920508	2	14	40025428	10	11	40078113	12	59
22921506	4	50	40025429	10	26	40078133	10	43
22921506	18	17	40025431	10	1	40078160	8	53
22921605	18	14	40026817	14	4	40085033	14	42
22928808	4	49	40026819	14	9	40085784	72	52
22931000	70	45	40026882	6	26	40085787	72	53
22954408	70	6	40026884	6	29·30	40085788	72	48
23604200	6	2	40026979	2	3	40085789	72	47
23610108	10	39	40027870	14	23	40085791	72	46
23629306	62	31	40028834	2	27	40085793	70	38
23629405	62	39	40028835	2	28	40085794	20	11
23630007	60	27	40028877	2	22	40085794	70	40
23630007	62	45	40029419	10	36	40085795	20	12
23630106	62	40	40029420	14	5	40085795	70	39

NUMERICAL INDEX OF PARTS

PART NO	PAGE	REF NO.	PART NO	PAGE	REF NO.	PART NO	PAGE	REF NO.
40085796	70	42	40170026	32	24	40170070	42	38
40086710	66	9	40170027	32	25	40170071	42	39
40091617	2	31	40170028	26	16	40170072	42	40
40096034	24	49	40170028	32	26	40170073	42	41
40096204	6	40	40170028	44	46	40170074	42	42
40096208	6	41	40170028	46	30	40170075	42	43
40096325	70	44	40170028	70	36	40170076	42	44
40096327	72	54	40170029	32	27	40170077	44	48
40101719	62	21	40170029	44	47	40170078	46	14
40104419	36	1	40170030	32	28	40170079	46	15
40104419	38	1	40170030	36	19	40170080	46	16
40126582	60	26	40170031	32	29	40170081	46	17
40126582	62	10	40170032	32	30	40170082	46	18
40126724	18	19	40170033	32	31	40170083	46	19
40135365	62	17	40170034	32	32	40170084	46	20
40135366	62	18	40170035	38	35	40170085	46	21
40135368	60	1	40170039	32	37	40170086	46	22
40135369	60	2	40170040	32	38	40170087	46	23
40135370	60	4	40170041	32	39	40170088	46	24
40135372	62	16	40170042	32	40	40170089	46	25
40135374	62	14	40170045	32	43	40170090	46	26
40139614	62	15	40170046	36	11	40170094	46	31
40169647	50	41	40170047	36	12	40170095	50	27
40169647	56	36	40170048	36	13	40170095	56	39
40170001	22	16	40170049	36	14	40170096	50	28
40170002	22	17	40170050	36	15	40170097	50	29
40170003	22	11	40170051	36	16	40170098	50	30
40170012	28	18	40170052	36	17	40170099	50	31
40170013	28	19	40170053	36	18	40170099	56	42
40170014	28	20	40170054	36	21	40170100	50	32
40170015	28	21	40170055	36	22	40170100	56	40
40170016	28	22	40170056	36	23	40170101	56	41
40170017	28	23	40170057	38	9	40170103	50	34
40170018	28	24	40170058	38	10	40170104	50	35
40170019	28	25	40170059	38	11	40170105	50	36
40170019	36	20	40170060	38	12	40170106	50	37
40170019	42	45	40170061	38	15	40170108	50	38
40170020	28	26	40170062	38	16	40170108	58	49
40170020	38	13	40170063	40	3	40170109	50	39
40170021	28	27	40170064	30	52	40170110	50	40
40170021	38	14	40170065	30	54	40170110	58	48
40170022	28	28	40170066	42	34	40170113	50	44
40170022	38	18	40170067	42	35	40170114	50	45
40170023	28	29	40170068	42	36	40170115	66	29
40170025	28	31	40170069	42	37	40170116	66	30

NUMERICAL INDEX OF PARTS

PART NO	PAGE	REF NO.	PART NO	PAGE	REF NO.	PART NO	PAGE	REF NO.
40170117	62	41	40170304	50	5	40170346	56	26
40170118	66	31	40170305	50	6	40170347	56	27
40170119	66	32	40170306	50	7	40170348	56	28
40170120	66	33	40170307	50	8	40170349	62	3
40170121	66	34	40170308	50	9	40170350	66	1
40170122	66	35	40170309	50	10	40170351	62	4
40170123	66	36	40170310	50	11	40170353	62	5
40170124	66	37	40170311	50	12	40170354	62	6
40170125	66	38	40170312	50	13	40170355	66	2
40170126	66	46	40170313	50	14	40170357	66	3
40170126	68	46	40170314	50	15	40170358	66	4
40170128	66	40	40170315	50	16	40170359	66	5
40170129	66	41	40170316	50	17	40170360	66	6
40170130	66	42	40170317	50	18	40170361	56	29
40170131	66	43	40170318	56	1	40170362	56	30
40170132	66	44	40170319	56	2	40170365	66	7
40170133	56	43	40170320	56	3	40170366	66	8
40170134	56	44	40170321	56	4	40170367	22	1
40170135	56	45	40170322	56	5	40170370	22	2
40170136	56	46	40170323	56	6	40170371	22	3
40170137	62	42	40170325	50	21	40170372	22	4
40170138	62	43	40170325	56	7	40170373	22	5
40170139	62	44	40170326	50	22	40170374	22	6
40170140	58	47	40170326	56	8	40170375	22	7
40170142	66	45	40170327	50	23	40170376	22	8
40170143	58	50	40170327	56	9	40170377	22	9
40170144	58	51	40170328	50	24	40170379	44	56
40170146	30	53	40170328	56	10	40170380	22	12
40170147	62	34	40170329	50	25	40170381	44	57
40170276	70	1	40170329	56	11	40170382	44	50
40170277	22	45	40170330	56	12	40170383	22	15
40170278	24	47	40170331	56	13	40170394	28	1
40170280	62	7	40170332	50	26	40170395	28	2
40170281	62	8	40170332	56	14	40170396	28	3
40170283	64	56	40170333	56	15	40170397	28	4
40170285	64	57	40170334	56	16	40170398	28	5
40170286	62	2	40170337	56	17	40170398	38	8
40170288	60	41	40170338	56	18	40170399	28	6
40170290	26	1	40170339	56	19	40170400	28	7
40170297	40	11	40170340	56	20	40170401	28	8
40170298	62	33	40170341	56	21	40170402	28	9
40170299	50	19	40170342	56	22	40170403	28	10
40170300	50	1	40170343	56	23	40170404	28	11
40170302	50	3	40170344	56	24	40170405	28	12
40170303	50	4	40170345	56	25	40170406	28	13

NUMERICAL INDEX OF PARTS

PART NO	PAGE	REF NO.	PART NO	PAGE	REF NO.	PART NO	PAGE	REF NO.
40170407	28	14	40170453	42	3	40170498	42	31·32
40170408	28	15	40170454	42	4	40170499	42	33
40170409	28	16	40170455	42	5	40170500	40	4
40170410	28	17	40170456	42	6	40172470	18	11
40170411	32	1	40170457	42	7	40172472	18	20
40170412	32	2	40170458	42	8	40172473	18	21
40170413	32	3	40170459	42	9	40172474	18	22
40170414	32	4	40170460	42	10	40174312	18	24
40170415	32	5	40170461	42	11	40174313	18	18
40170416	32	6	40170462	42	12	40175624	2	1
40170417	32	7	40170463	42	13	40175625	2	6
40170418	32	8	40170464	42	14	40175628	6	8
40170419	32	9	40170465	42	15	40175629	6	9
40170420	32	10	40170466	42	16	40175630	6	10
40170421	32	11	40170467	42	17	40175631	6	27
40170422	32	12	40170468	42	18	40175632	6	35
40170423	32	13	40170469	42	19	40175635	6	37
40170424	32	14	40170470	42	20	40175636	6	38
40170425	32	15	40170471	42	21	40175637	2	36
40170426	32	16	40170472	30	49	40175638	2	40
40170427	32	17	40170473	30	50	40175640	8	55
40170428	32	18	40170474	30	51	40175641	8	57
40170429	38	36	40170475	42	22	40175642	8	59
40170430	32	20	40170476	42	23	40175643	8	61
40170431	32	21	40170477	46	1	40175644	8	62
40170433	32	23	40170478	46	2	40175647	8	46
40170434	36	2	40170479	46	3	40175648	18	1
40170435	36	3	40170480	46	4	40175649	18	4
40170436	36	4	40170481	46	5	40175650	14	7
40170437	36	5	40170482	46	6	40175651	14	22
40170438	36	6	40170483	46	7	40175652	14	32
40170439	36	7	40170484	46	8	40175653	14	38
40170440	36	8	40170485	46	9	40175654	14	39
40170441	36	9	40170486	46	10	40175655	14	44
40170442	36	10	40170487	46	11	40175656	14	46
40170443	38	2	40170488	46	12	40175657	16	52
40170444	38	3	40170489	46	13	40175658	2	23
40170445	38	4	40170490	42	24	40175659	2	46
40170446	38	5	40170491	42	25	40175660	4	47
40170447	38	6	40170492	42	26	40175661	20	1
40170448	38	7	40170493	42	27	40175662	20	3
40170449	40	1	40170494	42	28	40175663	20	10
40170450	40	2	40170495	42	29	40175664	20	6
40170451	42	1	40170496	42	30	40175665	20	7
40170452	42	2	40170497	42	31·32	40175666	6	34

NUMERICAL INDEX OF PARTS

PART NO	PAGE	REF NO.	PART NO	PAGE	REF NO.	PART NO	PAGE	REF NO.
40175669	6	36	40181515	26	9	BT0400251EB	16	54
40175670	20	9	40183860	22	10	BT0400251EB	22	27~43
40175674	70	34	40185058	34	63~66	BT0400251EB	26	8
40176037	52	89	40185059	34	63~66	BT0600401EB	22	27~43
40176038	52	90	40185060	34	63~66	CQ202000000	58	80
40176039	52	91	40185061	34	63~66	CQ303000000	10	3
40176040	52	92	40185862	68	64	CS0790731SH	10	35
40176051	60	32	40185865	54	95	CS079073ASH	10	33
40176052	60	33	40185871	24	54	CS080081BSH	68	66
40176053	60	34	40185872	72	56	CS0800881TP	14	11
40176058	28	30	40186132	32	22	CS0801011TH	62	19
40176058	32	41	B1110280000	70	10	D2587L8WB00	66	15
40176060	50	20	B1116804000	66	13	D2588L8WB00	66	16
40176065	26	17	B1129210000	2	16	EA9500B0100	26	19
40176066	26	18	B1223771000	66	14	EA9500B0100	52	86
40176067	48	68	B1405210000	6	29·30	EA9500B0100	60	39
40176067	50	2	B1408180000	10	32	EA9500B0100	72	59
40176072	54	93	B1414555000	6	28	G3216270000	70	32
40176073	60	35	B1601210D0CA	12	50	G8031875000	70	27
40176074	54	94	B161121000A	12	48	HA006950000	24	50
40176075	60	36	B1634210D00	12	53	HD00057000A	14	33
40176078	68	71	B1636581A00	10	15~18	HD00057000A	50	42
40176079	68	72	B1636581B00	10	15~18	HD00057000A	56	38
40176084	6	22	B1636581C00	10	15~18	HD00057000A	66	26
40176085	18	5	B1636581D00	10	15~18	HD002230000	8	44
40176090	50	46	B1903552000	6	39	HX00065000A	24	57
40176090	56	31	B2401210D00	66	11	HX00065000A	52	88
40176108	24	52	B2411210000	66	22	HX00065000A	60	40
40176109	24	53	B24142800A0	60	7	HX001230000	70	9
40176113	60	31	B2416280000	60	9	HX00150000D	62	37
40177080	26	20	B2417210000	60	11	HX00188000B	40	9
40177081	26	21	B2417280000	60	10	HX00339000D	60	44
40177082	26	22	B242328000A	60	12~16	HX00339000E	60	43
40177083	26	23	B242328000B	60	12~16	HX00354000F	2	32
40177084	26	24	B242328000C	60	12~16	HX004540000	24	55
40177085	26	25	B242328000D	60	12~16	HX004540000	50	43
40177086	26	27	B242328000E	60	12~16	HX004540000	60	37
40178525	70	25	B2537221D00	8	42	HX004540000	72	57
40180181	46	29	B2537221D00	16	48	MDP170B2300	8	48
40180196	68	69	B2617771000	66	18	NM6030001SC	70	22
40181477	60	24	B3041980000	70	8	NM6030001SE	48	49
40181478	60	28	B3118552C00	18	26	NM6040000SN	2	13
40181484	70	37	B3118552H00	18	13	NM6040000SN	18	9
40181513	26	3	B3132012000	18	23	NM6040001SC	20	15
40181514	26	4	B3413227000	70	11	NM6040001SE	58	72

NUMERICAL INDEX OF PARTS

PART NO	PAGE	REF NO.	PART NO	PAGE	REF NO.	PART NO	PAGE	REF NO.
NM6040001SP	14	26	RC0740816K0	38	17	SL6040692TN	58	68
NM6050001SE	66	48	RC0740816K0	68	53	SL6040892TN	24	48
NM6050001SE	68	48	RC1700001KP	18	15	SL6040892TN	26	26
NM6050001SE	72	55	RC3781518KP	10	20	SL6040892TN	48	53
NM6050002SE	36	24	RE0500000K0	18	8	SL6040892TN	52	81
NM6060001SD	26	6	RE0500000K0	26	12	SL6041092TN	2	9
NM6060001SE	38	19	RE0600000K0	26	5	SL6041092TN	26	15
NM6060001SE	46	35	RE0700000K0	26	10	SL6041092TN	30	55
NM6080001SC	20	5	SB112000300	8	63	SL6041092TN	36	32
NM6080001SE	38	29	SB120000900	6	1	SL6041092TN	46	58
NM6100001SE	40	8	SB120001800	6	4	SL6041092TN	48	58
NM6100001SE	58	62	SB30700020A	6	18~21	SL6041092TN	52	74
NM6100001SE	68	52	SB30700020B	6	18~21	SL6041092TN	58	69
NM6160511SE	70	41	SB30700020C	6	18~21	SL6041092TN	68	68
NS6110420SP	66	21	SB30700020D	6	18~21	SL6041292TN	28	59
NS6110420SP	70	28	SB408000100	14	51	SL6041292TN	30	59
NS6120310SP	66	25	SB408000100	16	51	SL6041292TN	36	33
NS6150430SP	26	14	SD0500803TP	66	19	SL6041292TN	46	32
PA250200600	14	36	SD0650305TP	66	24	SL6041292TN	58	78
PA900060000	46	27	SD0720221SP	70	13	SL6041292TN	68	57
PA900071000	46	28	SD0720222TP	70	12	SL6041642TN	34	50
PC015106000	48	57	SD0800336TP	12	61	SL6041892TN	34	57
PF0205010C0	48	64	SD0800337TP	14	19	SL6051092TN	2	24
PJ046052503	14	37	SD0800386TP	12	67	SL6051092TN	20	16
PJ046052503	26	7	SD0800387TP	16	57	SL6051092TN	22	46
PJ301060503	48	67	SD0800408TP	10	38	SL6051092TN	40	10
PJ301060503	68	63	SD0800656TP	12	56	SL6051292TN	38	34
PJ301065201	48	54	SD0800746TP	10	10	SL6051292TN	40	12
PJ301065201	52	82	SD0870401SP	26	13	SL6051292TN	44	61
PJ304060502	48	66	SD1000506TP	10	37	SL6051292TN	64	55
PJ304065201	48	55	SD1100301TP	66	23	SL6051492TN	8	43
PJ304065201	52	83	SL4030591SC	70	18	SL6051492TN	52	50
PJ308040002	22	19	SL4030881SC	2	33	SL6051492TN	58	58
PJ308060003	22	18	SL4030891SC	50	33	SL6051492TN	64	52
PJ308060004	22	20	SL4031081SF	14	34	SL6051692TN	34	58
PS0400162KP	60	30	SL4031281SC	70	16	SL6051692TN	36	26
PV1502060B0	68	60	SL4031481SC	70	17	SL6052042TN	28	56
PV150209000	26	28	SL4040891SC	60	29	SL6052042TN	30	56
PV150214000	48	52	SL4041041SC	62	38	SL6052042TN	36	35
PV150214000	52	80	SL4051091SC	70	29	SL6052042TN	38	28
PX050501000	68	61	SL6030692TN	68	62	SL6052042TN	52	47
PX055104000	48	56	SL6031092TN	52	60	SL6052092TN	46	45
PX055104000	52	84	SL6031092TN	58	64	SL6052092TN	52	79
RC0410415KP	18	25	SL6031092TN	68	67	SL6052592TN	6	23
RC0650811KP	10	25	SL6040692TN	46	43	SL6052592TN	52	65

NUMERICAL INDEX OF PARTS

PART NO	PAGE	REF NO.	PART NO	PAGE	REF NO.	PART NO	PAGE	REF NO.
SL6052592TN	58	73	SM4040601SC	72	58	SM6052002TN	52	54
SL6053092TN	58	54	SM4040655SP	64	54	SM6052002TN	58	76
SL6054092TN	30	47	SM4040801SC	30	58	SM6052002TP	46	44
SL6061292TN	2	2	SM4040801SC	48	62	SM6052502TN	52	57
SL6061492TN	20	2	SM4040855SP	2	7	SM6052502TN	58	57
SL6061492TN	22	44	SM4041001SC	16	56	SM6053002TN	52	55
SL6061492TN	26	2	SM4041055SP	2	5	SM6053002TN	58	56
SL6061492TN	44	62	SM4041055SP	8	45	SM6053502TN	52	61
SL6061492TN	70	35	SM4041401SC	24	51	SM6061002TP	46	39
SL6061642TN	28	40	SM4050855SP	18	2	SM6061202TN	32	51
SL6061692TN	14	41	SM4061255SP	2	11	SM6061202TN	34	51
SL6061692TN	34	60	SM5050855SN	32	34	SM6061202TN	52	68
SL6062092TN	2	39	SM6030350SD	60	21	SM6061202TP	46	40
SL6062092TN	16	47	SM6030450TP	8	52	SM6061402TN	28	33
SL6062092TN	44	53	SM6031002TN	18	16	SM6061402TN	32	54
SL6062592TN	14	45	SM6031202TN	46	46	SM6061402TN	34	54
SL6062592TN	36	29	SM6031602TN	64	51	SM6061402TN	36	25
SL6082092TN	44	54	SM6032002TP	68	59	SM6061402TN	38	27
SL6082592TN	36	28	SM6040602TN	28	35	SM6061402TP	2	44
SL6082592TN	44	52	SM6040602TN	38	33	SM6061402TP	10	24
SL6082592TN	52	64	SM6040602TP	14	35	SM6061602TN	52	72
SL6082592TN	58	81	SM6040650TP	2	19	SM6061602TN	58	66
SL6084092TN	28	46	SM6040650TP	8	58	SM6062002TN	28	42
SM0030801SC	30	60	SM6040650TP	20	14	SM6062002TN	46	34
SM0030801SC	34	61	SM6040802TN	28	36	SM6062002TN	52	70
SM0040601SC	22	13	SM6040802TN	32	33	SM6062002TN	58	75
SM0040601SC	32	35	SM6040802TN	38	32	SM6062002TP	2	43
SM0040601SC	38	37	SM6040802TP	12	52	SM6063502TN	28	45
SM0040601SC	44	65	SM6040802TP	64	53	SM6064002TN	38	26
SM0040601SC	52	87	SM6040860TP	2	26	SM6067552TP	30	48
SM0040601SC	58	79	SM6041002TN	38	23	SM6081202TP	22	14
SM0040601SC	60	42	SM6041002TN	58	65	SM6101602TP	52	48
SM0040801SC	2	8	SM6041002TP	16	53	SM6102502TN	52	75
SM0040801SC	68	56	SM6041202TN	34	55	SM6123502TT	40	5
SM1040650TP	48	50	SM6041202TP	14	43	SM6123502TT	52	76
SM1040801SC	44	63	SM6041202TP	34	62	SM7751160TP	12	51
SM1040852TP	34	59	SM6042000SP	18	10	SM8030312TP	28	34
SM1040852TP	46	63	SM6042502TN	58	70	SM8030312TP	34	53
SM1040852TP	48	63	SM6051002TP	8	47	SM8030312TP	38	25
SM1040852TP	58	59	SM6051202TP	62	12	SM8030412TP	6	32
SM1041201SP	48	61	SM6051602TN	46	60	SM8030612TP	36	31
SM4040555SP	18	6	SM6051602TN	48	60	SM8040402TP	70	26
SM4040601SC	24	56	SM6051602TP	62	48	SM8040412TP	2	53
SM4040601SC	52	67	SM6051602TP	64	48	SM8040412TP	4	53
SM4040601SC	60	38	SM6051602TP	68	49	SM8040412TP	52	71

NUMERICAL INDEX OF PARTS

PART NO	PAGE	REF NO.	PART NO	PAGE	REF NO.	PART NO	PAGE	REF NO.
SM8040612TP	18	12	TA0750404R0	10	21	WS0820002KN	38	30
SM8050402TP	68	70	TA0850604R0	2	20	WS1220002KN	40	7
SM8050412TP	14	12	TA1050504R0	2	21	WS1220002KN	52	78
SM8050412TP	68	65	TA1050504R0	62	11			
SM8052502TP	68	47	WP0320500SD	60	22			
SM8060612TP	10	6	WP0320501SE	48	47			
SM8060612TP	14	21	WP0410846SC	18	7			
SM8060812TP	2	35	WP0430800SC	12	54			
SM8060812TP	6	60	WP0430801SE	34	49			
SM8060812TP	8	60	WP0430801SE	58	71			
SM8060812TP	10	66	WP0450846SP	60	20			
SM8060812TP	12	66	WP0451016SH	36	34			
SM8060812TP	14	29	WP0461516SH	34	56			
SM8060812TP	36	27	WP0501016SD	66	20			
SM8061002TP	58	60	WP0520656SA	14	24			
SM8061002TP	68	55	WP0522016SH	14	25			
SM8061010TP	20	8	WP0522016SH	30	57			
SM8061212TP	38	22	WP0531001SC	62	47			
SM8061212TP	52	85	WP0531001SC	64	47			
SM8061212TP	58	74	WP0531001SC	72	51			
SM8061212TP	68	54	WP0551016SH	70	23			
SM8061612TP	8	50	WP0611626SP	10	9			
SM8082002TP	52	56	WP0612516SD	28	41			
SM8082002TP	58	77	WP0641601SE	38	21			
SM8480652TP	14	10	WP0641601SE	46	36			
SM9041050SC	34	48	WP0651001SC	26	11			
SQ2050452MZ	62	22	WP0651056SD	2	45			
SS1060210TP	60	17	WP0820516SP	6	15			
SS1110640TP	10	30	WP0820526SD	20	4			
SS1110640TP	60	23	WP0841601SE	38	31			
SS6090670TP	8	54	WP0850002SP	14	14			
SS6090910SP	10	41	WP1021016SD	68	51			
SS6110430TP	60	18	WP1052001SC	58	61			
SS6110480SP	56	33	WP1052001SC	68	50			
SS7110740TP	60	19	WP1221016SP	10	27			
SS7110840SP	70	33	WP1302501SE	40	6			
SS7111810TP	10	42	WP1302501SE	52	77			
SS8110410TP	10	34	WP1612616SE	70	43			
SS8150822TP	66	12	WS0310002KR	48	48			
SS8660410SP	62	20	WS0410002KN	44	58			
SS8660410SP	68	58	WS0451040KP	70	24			
SS8660612TP	64	50	WS0510002KN	72	50			
SS8661012TP	66	27	WS0510002KR	48	59			
ST4030851SN	62	9	WS0610002KN	38	20			
TA0550604R0	12	57	WS0610002KR	46	37			