

MODEL : MO-655

List No : 6004-00

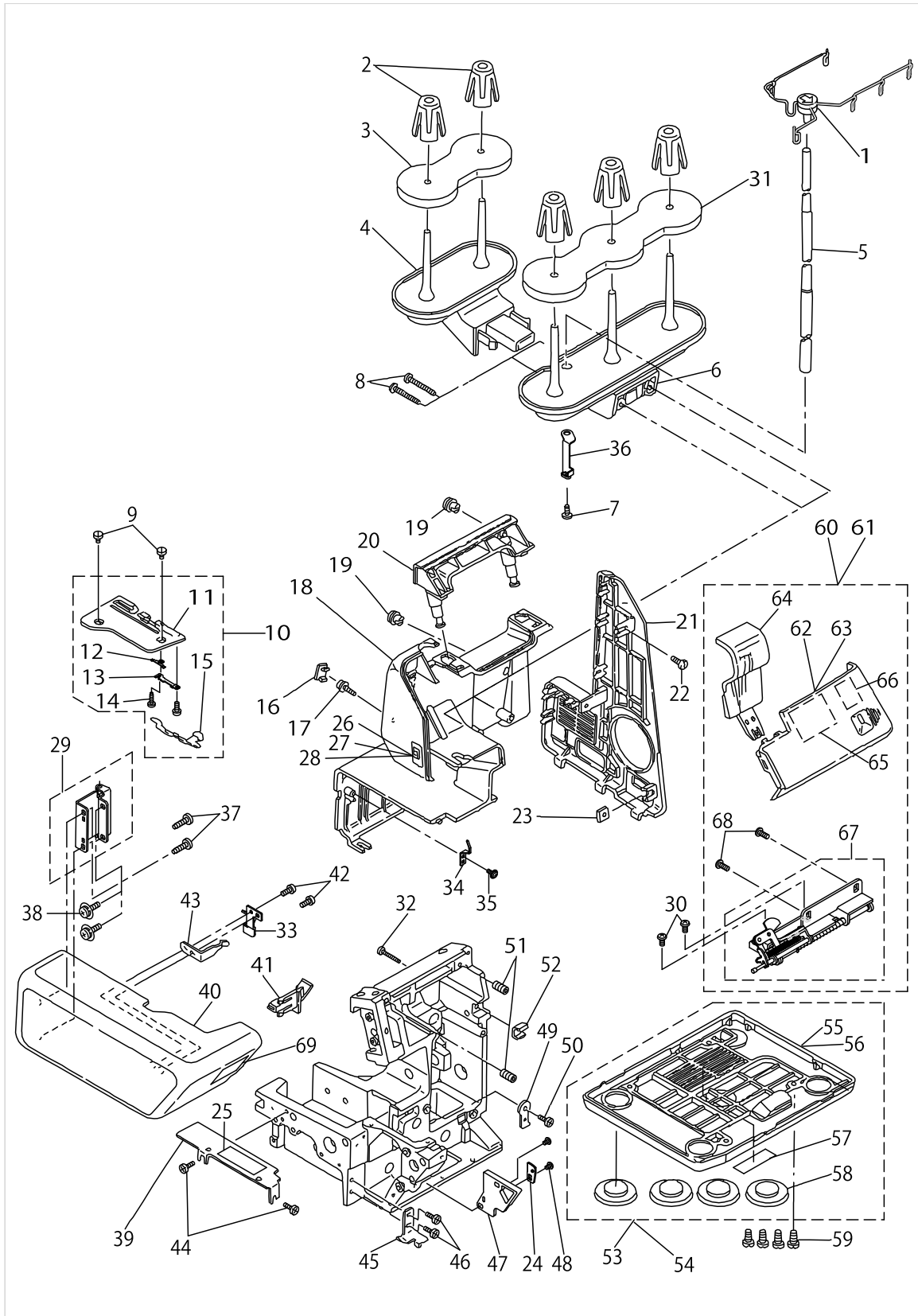
PARTS LIST

Published:05/12/2017

CONTENTS

FRAME COMPONENTS	1
MAIN SHAFT & SAFETY SWITCH COMPONENTS	5
NEEDLE BAR & PRESSER FOOT COMPONENTS.....	7
FEED MECHANISM COMPONENTS.....	9
CHAIN LOOPER COMPONENTS.....	15
LOOPER DRIVE COMPONENTS	17
KNIFE COMPONENTS.....	21
THREAD TENSION COMPONENTS	25
LAMP & MOTOR CONTROLLER COMPONENTS	27
ACCESSORIES PARTS COMPONENTS	29
HOW TO MAKE USE OF THIS PARTS LIST	31

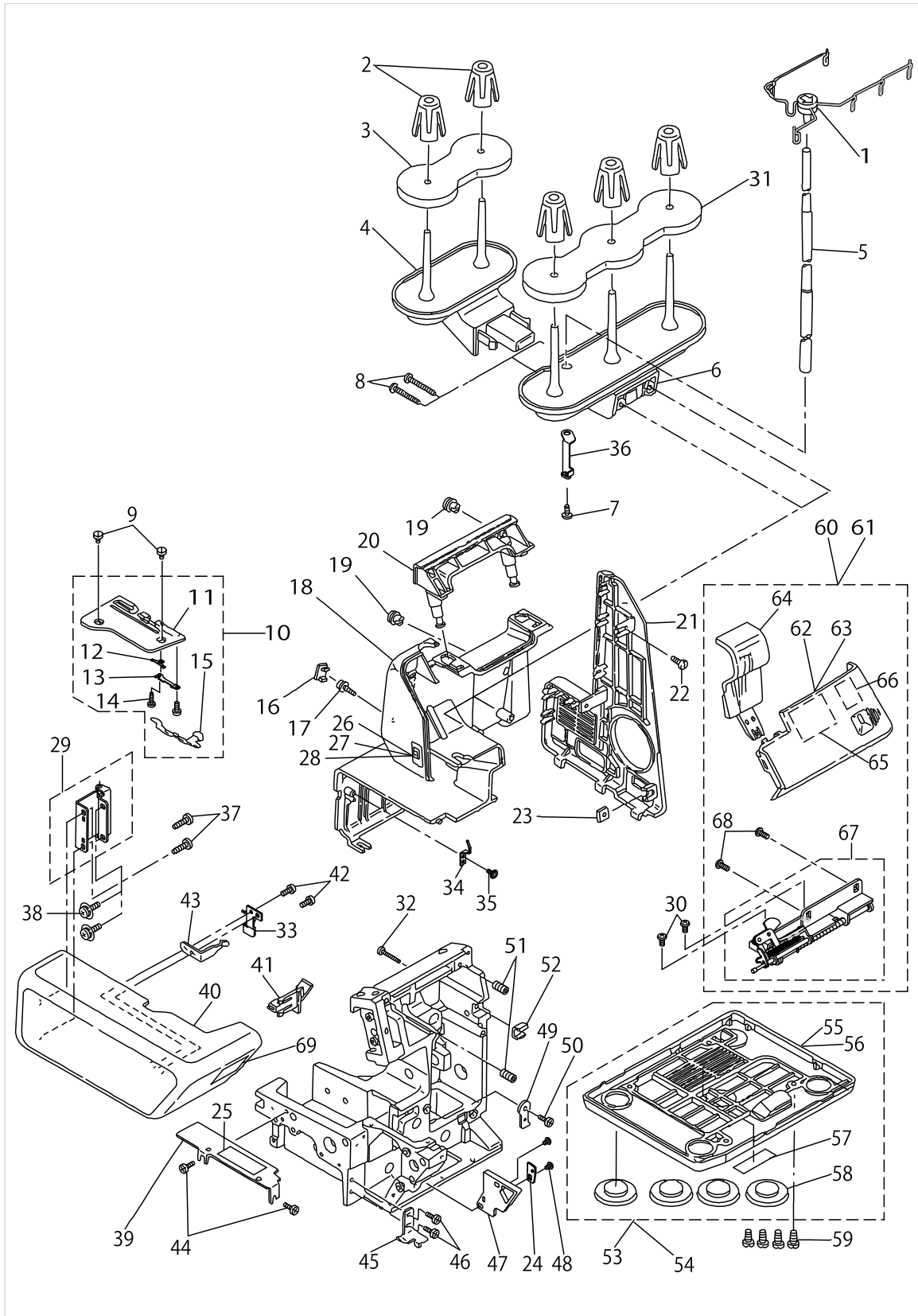
FRAME COMPONENTS



FRAME COMPONENTS

No.	Supply Code	Parts No.	Replacement	Parts name	Remarks	Choice	Step	Level	Cons	Qty	Rep. QTY
1		A11206550A0		THREAD GUIDE ASM.						1	
2		A1120202000		SPOOL RETAINER						5	
3		A1121202000		FOAM PAD(B)						1	
4		A1119644000A		SPOOL HOLDER(B)						1	
5	R	A1120334000	40082787	SUPPORTING ROD						1	1.00
6		A1118623000A		SPOOL HOLDER(A)						1	
7		SM5051255SN		SCREW						1	
8		SM5043755SC		SCREW						2	
9		A1138335000		SCREW						2	
10		A11156550B0B		THROAT PLATE MAS. ASM.						1	
11		A11156550A0		THROAT PLATE ASM.				*		1	
12		A1131655000A		LATCH PRESSER SPRING				*		1	
13		A1132655000		THREAD SLIP GUIDE				*		1	
14		SM4020351SC		SCREW				*		2	
15		A1136314DAAA		THROAT PLATE TH- READ SLIP ASM.				*		1	
16		A1146644000		COVER CAP(B)						1	
17		SL5031031SN		SCREW						1	
18		A1106655000		REAR COVER W.RE- FLECTING SEAL						1	
19		A1124644000		COVER CAP(A)						2	
20		A1145644000		HANDLE						1	
21	R	A110365D000A	A110303D000	SIDE COVER						1	1.00
22	D	SL4040831SF		SCREW						1	
23		A3151535000		FRONT COVER NUT						1	
24		A2538554000		THREAD GUIDE LEVER PLATE						1	
25		A1191655000		CHAIN THREAD GUIDE SEAL						1	
26		A3123644A00		LABEL(UL/GSA)						1	
27		A3123644B00		LABEL(VDE/SAA)						1	
28		A3123644C00		LABEL(SAUDI)						1	
29		A11615350A0		CLOTH PLATE HINGE ASM.						1	
30		SM5040855SN		SCREW						2	
31		A1121203000		FORM PAD(A)						1	
32		SM5032555SE		SCREW						1	
33		A2154655000A		RELEASE PLATE						1	
34		A1147535000		REAR COVER THREAD GUIDE						1	
35		ST5030851SN		SCREW						1	
36		A11213150A0A		THREAD GUIDE ASM.						1	
37		ST5041051SN		TAPING SCREW						2	
38		SL5040865SN		SCREW						2	
39		A1135535000		UPPER COVER						1	
40		A1104644000A		CLOTH PLATE						1	
41		A1104644A00A		CLOTHPLATECOVER						1	
42		ST5041251SN		TAPING SCREW						2	
43		A1160634000		CLOTH PLATE OPENING SPRING						1	
44		SM5040855SN		SCREW						2	
45		A1164535000		CLOTH PLATE PRESSER PLATE						1	

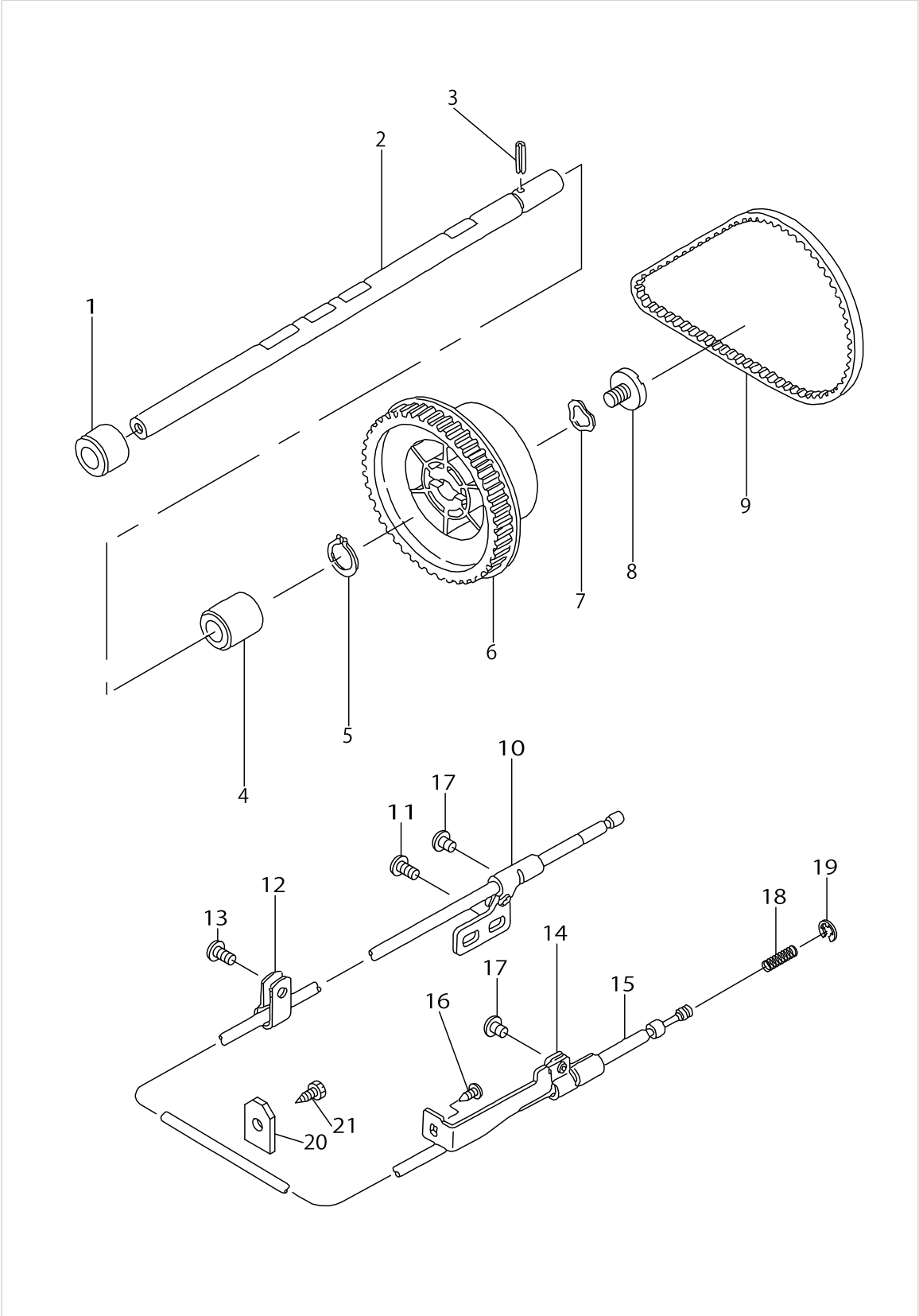
FRAME COMPONENTS



FRAME COMPONENTS

No.	Supply Code	Parts No.	Replacement	Parts name	Remarks	Choice	Step	Level	Cons	Qty	Rep. QTY
46		SM5040855SN		SCREW						2	
47		A1156654000A		LOOPER COVER GUIDE						1	
48		SM4040855SN		SCREW						2	
49		A3161634000		FRONT COVER INS-TALLATION PLATE						1	
50		SM4040655SN		SCREW						1	
51		SM8050842TP		SCREW						2	
52		A3150535000		FRONT COVER ASM. PLATE						1	
53	D	A11026440A0		BASE PLATE ASM.						1	
54		A1102644AA0		BASE PLATE ASM.(SAUDI)						1	
55		A1102644000		BASE PLATE				*		1	
56		A1102644A00		BASE PLATE(DOUBLE VOLTAGE)				*		1	
57		A6051634000		SEAL (SAUDI)				*		1	
58		A1123535000		SUCTION FEET				*		4	
59		SM5051255SN		SCREW						4	
60		A11516550B0B		LOOPER COVER(M-AS.ASM.)(UL/CSA)						1	
61		A1151655B0B		LOOPER COVER(M-AS.ASM.)(VDE/SAA)						1	
62		A1151655A00A		LOOPER COVER (UL/GSA)				*		1	
63		A1151655B00A		LOOPER COVER (V-DE/SAA/SAUDI)				*		1	
64		A1152655000A		CHIP GUARD COVER				*		1	
65		A1190655000		THREAD GUIDE SEAL				*		1	
66	D	A1194655000		SEAL				*		1	
67		A11536550A0A		LOOPER COVER HINGE ASM.				*		1	
68		ST5041051SN		TAPING SCREW				*		2	
69		A1171634000		SAFETY SWITCH SEAL						1	

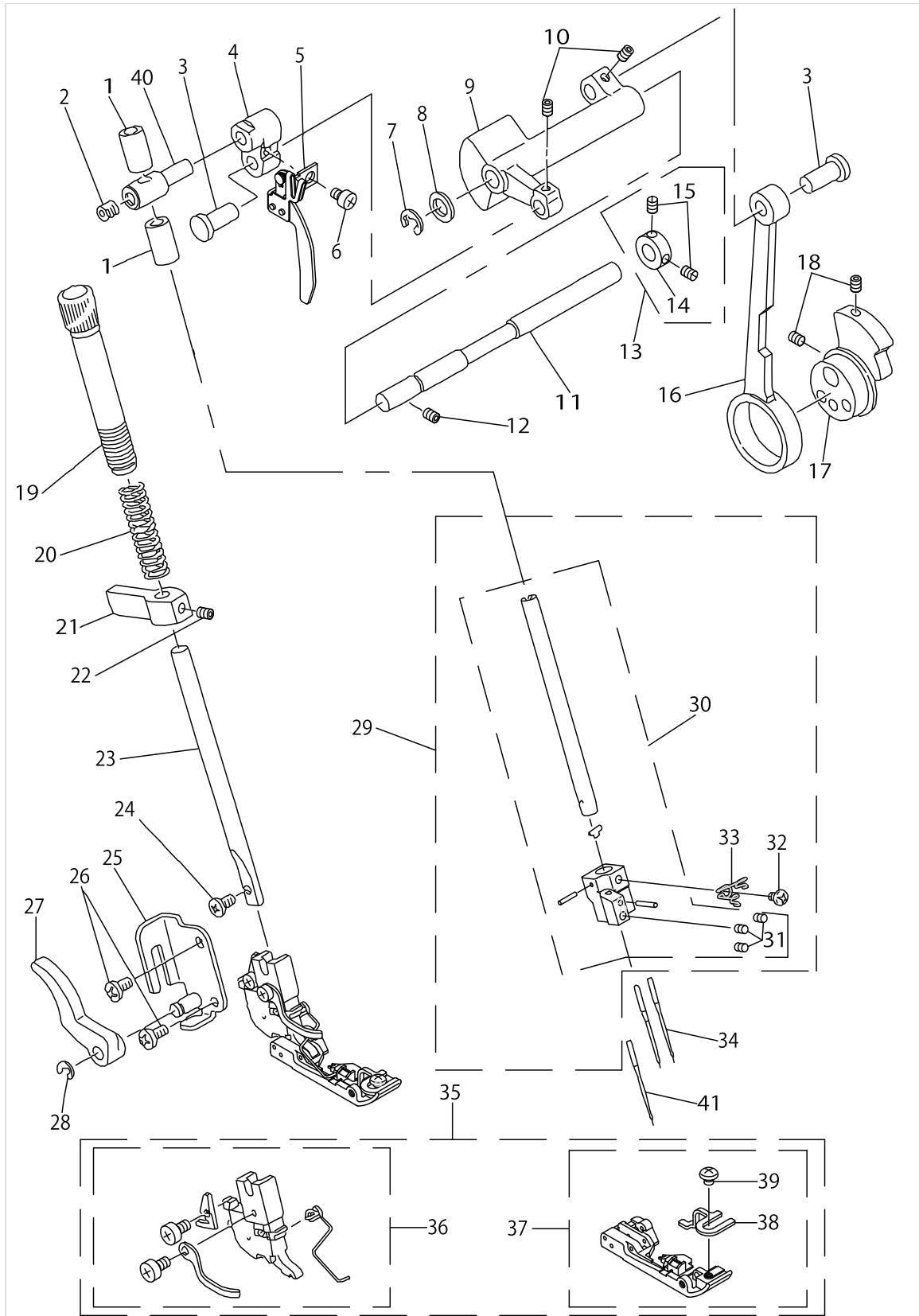
MAIN SHAFT & SAFETY SWITCH COMPONENTS



MAIN SHAFT & SAFETY SWITCH COMPONENTS

No.	Supply Code	Parts No.	Replacement	Parts name	Remarks	Choice	Step	Level	Cons	Qty	Rep. QTY
1		A1206335000		MAIN SHAFT BUSHING FRONT						1	
2	R	A1201655000	40071768	MAIN SHAFT						1	1.00
3		PS0400222KH		PIN						1	
4		A1206202000		MAIN SHAFT BUSHING REAR						1	
5		A1206102000		C RING						1	
6	R	A1202644000	A1202113000	HANDWHEEL						1	1.00
7		A1206535000		HANDWHEEL WASHER						1	
8		A1230500000A		HANDWHEEL SETSCREW						1	
9		A1205634000		TIMING BELT						1	
10		A6021535000		WIRE HOLDER (2)						1	
11		SM5040855SN		SCREW						1	
12		HX00150000B		CABLE CLIP						1	
13		SM4040655SN		SCREW						1	
14		A6020535000		WIRE HOLDER (1)						1	
15	D	A6026335EA0		WIRE ASM.						1	
16		ST5030851SN		SCREW						1	
17		SM4030455SN		SCREW						2	
18		A6033535000		SPRING						1	
19		RE0200000K0		E-RING						1	
20		A6036535000		WIRE HOLDER PRESSER PL.						1	
21		ST5030851SN		SCREW						1	

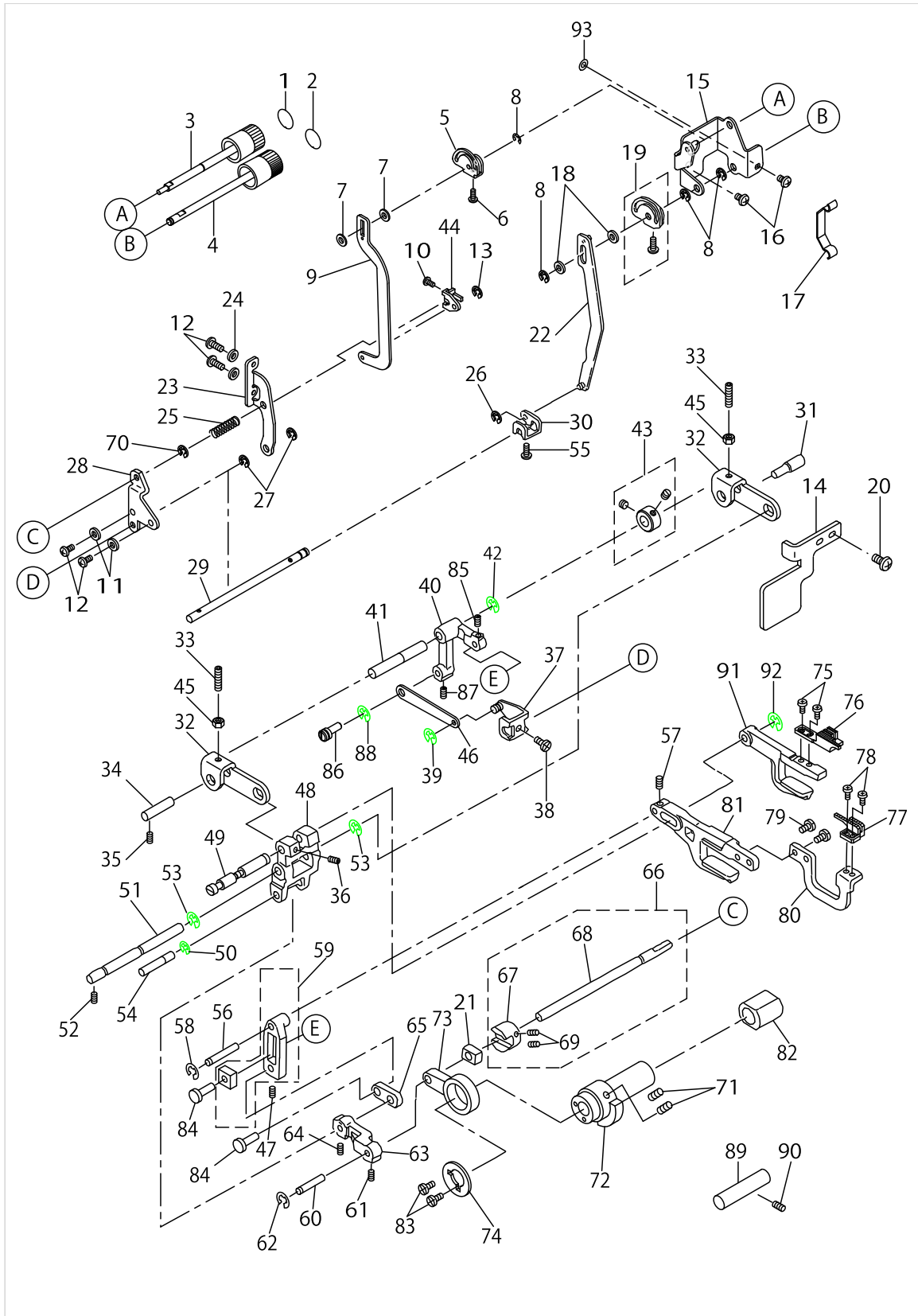
NEEDLE BAR & PRESSER FOOT COMPONENTS



NEEDLE BAR & PRESSER FOOT COMPONENTS

No.	Supply Code	Parts No.	Replacement	Parts name	Remarks	Choice	Step	Level	Cons	Qty	Rep. QTY
1		A1407102000		NEEDLE BAR BUSHING						2	
2		SM8060602TP		SCREW						1	
3		A1403102000		CONNECTING PIN						2	
4		A1412535000		NEEDLE BAR LINK						1	
5		A14126550A0		NEEDLE THREAD TAKE-UP						1	
6		SM4040655SN		SCREW						1	
7		RE0600000K0		E-RING						1	
8		WP0820516SP		WASHER						1	
9		A1402535000		NEEDLE BAR CRANK						1	
10		SM8040402TP		SCREW						2	
11		A1404535000		NEEDLE BAR DRIVING SHAFT						1	
12		SM8040402TP		SCREW						1	
13		A14145020A0		THRUST COLLAR ASM.						1	
14		A1414502000		SCREW				*		1	
15		SM8040402SP		SCREW				*		2	
16		A1403335000A		NEEDLE BAR CRANK ROD						1	
17		A1401535000A		NEEDLE BAR DRIVING CAM						1	
18		SM8050602TP		SCREW						2	
19		A1503634000		PRESSER FOOT ADJ.SCREW						1	
20		A1501535000		PRESSER SPRING						1	
21		A1502535000		PRESSER BAR GUIDE BRACKET						1	
22		SM8050402TP		SCREW						1	
23		A1507535000		PRESSER BAR						1	
24		SM5040855SN		SCREW						1	
25		A15045350A0		LIFTING LEVER SET PLATE ASM.						1	
26		SM5040855SN		SCREW						2	
27		A15069DC000		LIFTING LEVER						1	
28		RE0500000K0		E-RING						1	
29		A14066550B0		NEEDLE BAR ASM.						1	
30		A14066550A0		NEEDLE BAR ASM.				*		1	
31		A1416777000		NEEDLE SCREW				*		3	
32		SM5030455SN		SCREW				*		1	
33		A1409534000		NEEDLE BAR THREAD GUIDE				*		1	
34		MHA100B1100		NEEDLE HAX1 #11						2	
35	R	A15016550C0A	A15016550C0B	PRESSER FOOT MAS. ASM.						1	1.00
36		A15145350C0		PRESSER FOOT SHANK ASM.				*		1	
37	R	A15016550B0A	A15016550C0B	PRESSER FOOT				*		1	1.00
38		A1550655000		TAPE GUIDE PLATE				*		1	
39		SM4030301SC		SCREW M3 X 3				*		1	
40		A1411335000		NEEDLE BAR GUIDE BRACKET						1	
41		MHA100B1400		NEEDLE HAX1 #14						1	

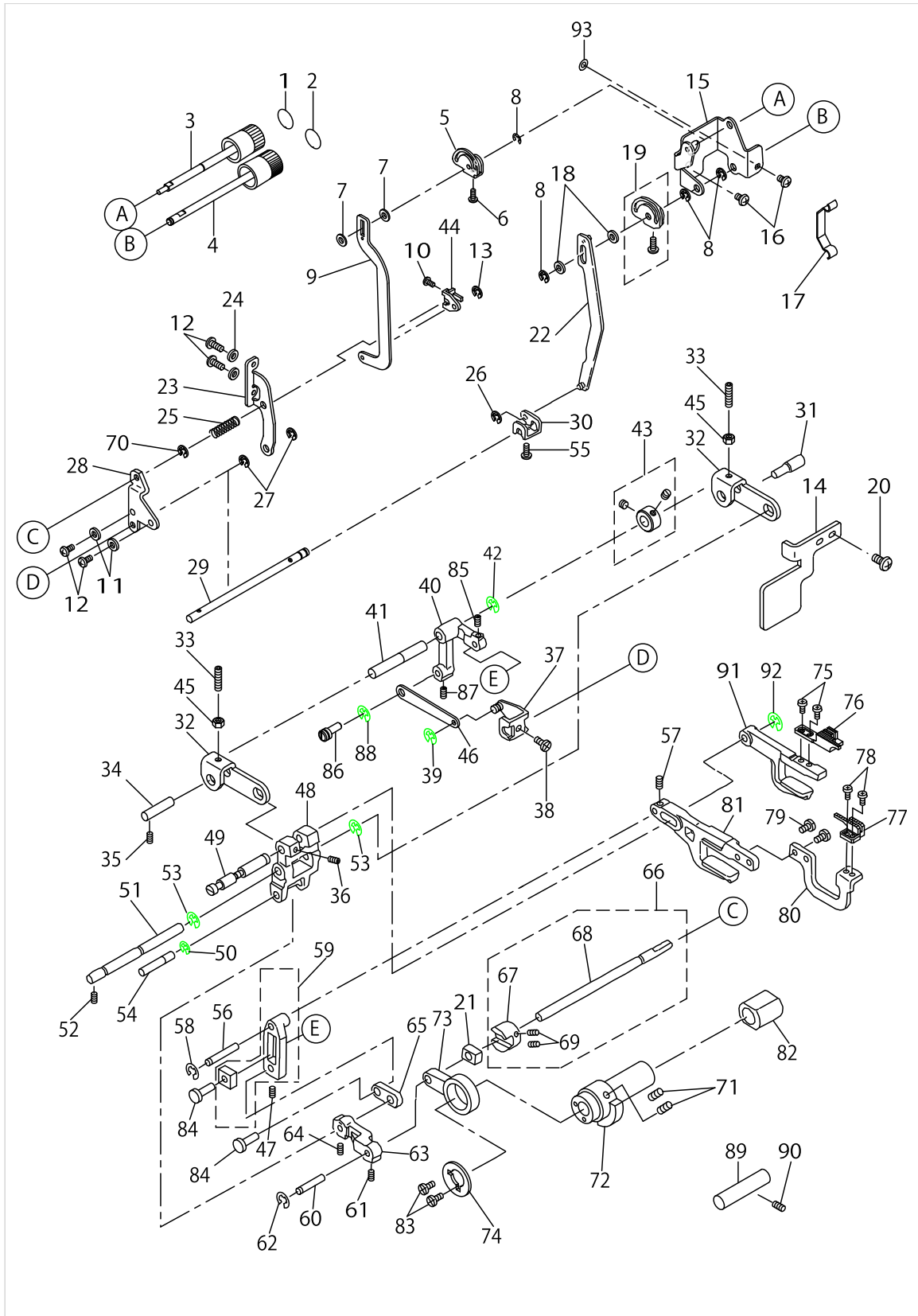
FEED MECHANISM COMPONENTS



FEED MECHANISM COMPONENTS

No.	Supply Code	Parts No.	Replacement	Parts name	Remarks	Choice	Step	Level	Cons	Qty	Rep. QTY
1		A160365DE00		LABEL (MAIN FEED)						1	
2		A160465DE00		LABEL (DIF. FEED)						1	
3		A1601655000A		MAIN FEED ADJUSTING KNOB						1	
4		A160265DE00A		DIF.FEED ADJUSTING KNOB						1	
5		A1613655000		MAIN FEED ADJUSTING CAM						1	
6		SM5030855SN		SCREW						1	
7		A1614655000		COLLAR						2	
8		RE0400000K0		E-RING						4	
9		A16196550A0		MAIN FEED ADJUSTING LINK ASM.						1	
10		SM5030655SN		SCREW						1	
11		A1636534D00		WASHER						2	
12		SM5041055SN		SCREW						4	
13		RE0300000K0		E-RING						1	
14		A1613535000		FEED BASE GUIDE						1	
15		A1610655000		KNOB SETTING PLATE						1	
16		SM5040655SN		SCREW						2	
17		A1611655000		SHAFT PRESSING PLATE						1	
18		A1614534D00		COLLAR						2	
19		A1615534DA0		DIF.FEED ADJUSTING CAM ASM.						1	
20		SM4040655SN		SCREW						1	
21		A1638776000		MAIN FEED SLIDE BLOCK						1	
22		A1620534DA0		DIF.FEED ADJUSTING LINK ASM.						1	
23		A1634655000A		ADJUSTING SHAFT PLATE						1	
24		WP0430801SC		WASHER						2	
25		A1633534D00		SPRING						1	
26		RE0300000K0		E-RING						1	
27		RE0500000K0		E-RING						2	
28		A1635534D00		FEED ADJUSTING SHAFT HOLDER						1	
29		A1662655000A		DIF.FEEDD ADJUSTING SHAFT						1	
30		A1655534D00		DIF.FEED ADJUSTING ARM(C)						1	
31		A1664655000		DIF.FEED SHAFT(A)						1	
32		A1660534D00A		DIF.FEED SHAFT HOLDER						2	
33		SM8031202TP		SCREW						2	
34		A1663534D00		DIF.FEED SHAFT(B)						1	
35		SM8040402TP		SCREW						1	
36		SM8040402TP		SCREW						1	
37		A1657534DA0		DIF.FEED ADJUSTI- NG ARM(B) ASM.						1	
38		SM5030655SN		SCREW						1	
39		RE0300000K0		E-RING						1	
40		A1661534D00		DIF.FEED ADJUSTING ARM(A)						1	
41		A1659534D00A		SHAFT						1	
42		RE0500000K0		E-RING						1	
43		A16637760A0		DIF.FEED ADJUSTI- NG COLLAR ASM.						1	
44		A1630534D00		MAIN FEED ADJUSTING ARM						1	
45		NM6030001SE		NUT						2	

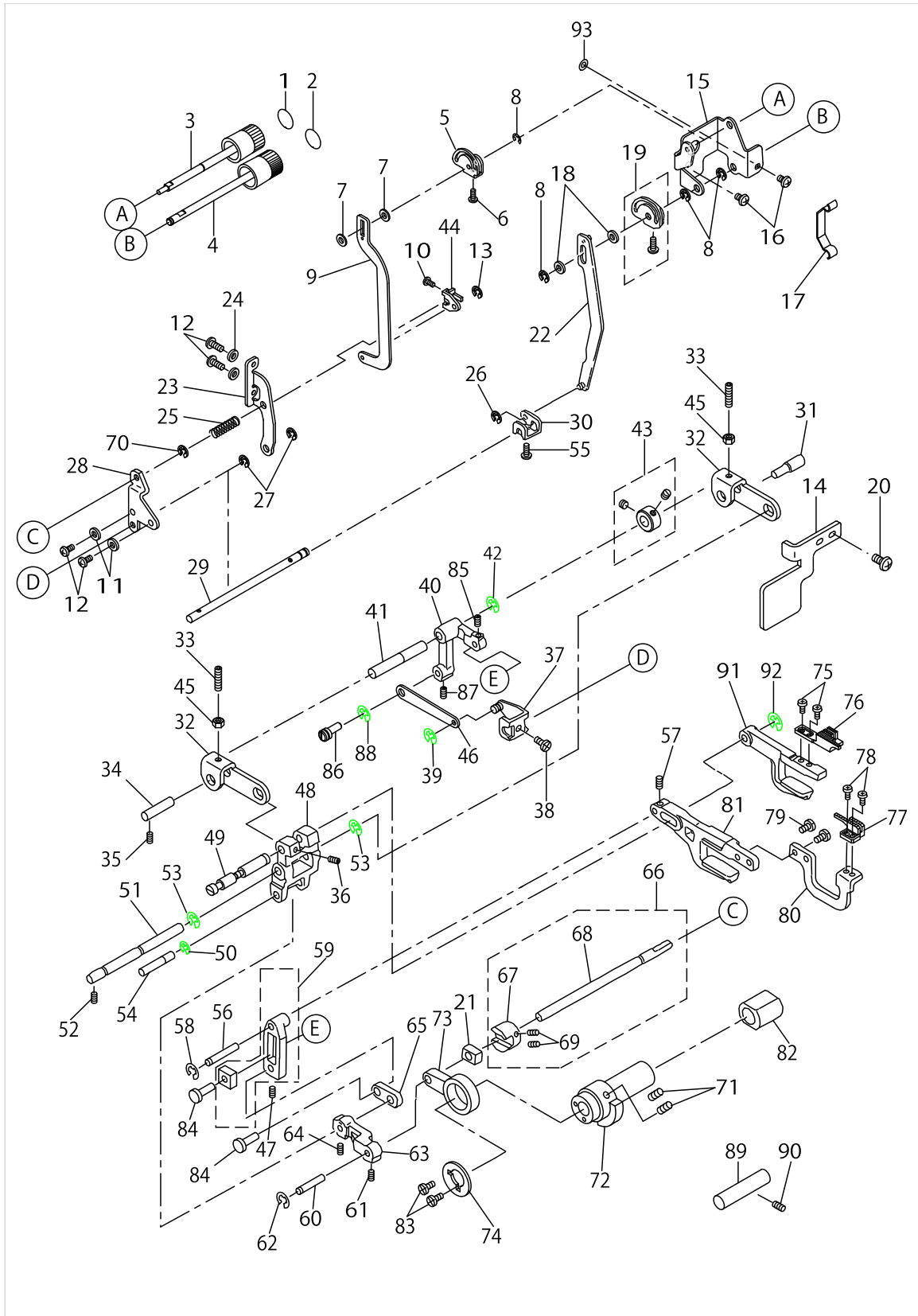
FEED MECHANISM COMPONENTS



FEED MECHANISM COMPONENTS

No.	Supply Code	Parts No.	Replacement	Parts name	Remarks	Choice	Step	Level	Cons	Qty	Rep. QTY
46		A1653776000		DIF.FEED ADJUSTING LINK						1	
47		SM8030402TP		SCREW						1	
48		A1645534D00		MAIN FEED ARM						1	
49		A1646534D00		BASE SUPPORTING SHAFT						1	
50		RE0400000K0		E-RING						1	
51		A1647534D00		MAIN FEED SHAFT						1	
52		SM8040402TP		SCREW						1	
53		RE0500000K0		E-RING						2	
54		A1641534D00		SHAFT						1	
55		SM5030655SN		SCREW						1	
56		A1665534D00		SHAFT						1	
57		SM8030302TP		SCREW						1	
58		RE0300000K0		E-RING						1	
59		A1651534DA0		DIF.FEED ARM ASM.						1	
60		A1639534D00		MAIN FEED SLIDE BLOCK SHAFT						1	
61		SM8030402TP		SCREW						1	
62		RE0400000K0		E-RING						1	
63		A1640534D00		MAIN FEED LINK						1	
64		SM8030402TP		SCREW						1	
65		A1650534D00		DIF.FEED LINK						1	
66		A1637534DA0		MAIN FEED ADJUSTING ASM.						1	
67		A1637534D00		MAIN FEED ADJUSTING				*		1	
68		A1631534D00		MAIN FEED ADJUSTING SHAFT				*		1	
69		SM8030402TP		SCREW				*		2	
70		RE0500000K0		E-RING						1	
71		SM8040602TP		SCREW						2	
72		A1617534D00A		VERTICAL/HOLIZO- NTAL FEED CAM						1	
73		A1616534D00		MAIN FEED ROD						1	
74		A1618534D00		MAIN FEED THRUST PLATE						1	
75		SM4030655SP		SCREW						2	
76		A1627655000		MAIN FEED DOG						1	
77		A1642655000		DIF.FEED DOG						1	
78		SM4030655SP		SCREW						2	
79		SM9040700SP		SCREW						2	
80		A1648655000		DIF.FEED SETTING BASE						1	
81		A1639535000		DIF.FEED BASE						1	
82		A1630535000		VERTICAL FEED ADS.						1	
83		A1618534D0A		SCREW						2	
84		A2529335000		PIN						2	
85		SM8030402TP		SCREW						1	
86		A1654776000A		DIF.FEED ADJUSTING PIN						1	
87		SM8030402TP		SCREW						1	
88		RE0500000K0		E-RING						1	
89		A1612535000		FEED BASE GUIDE ROD						1	
90		SM8040402TP		SCREW						1	
91		A1625535000		FEED BASE ARM						1	

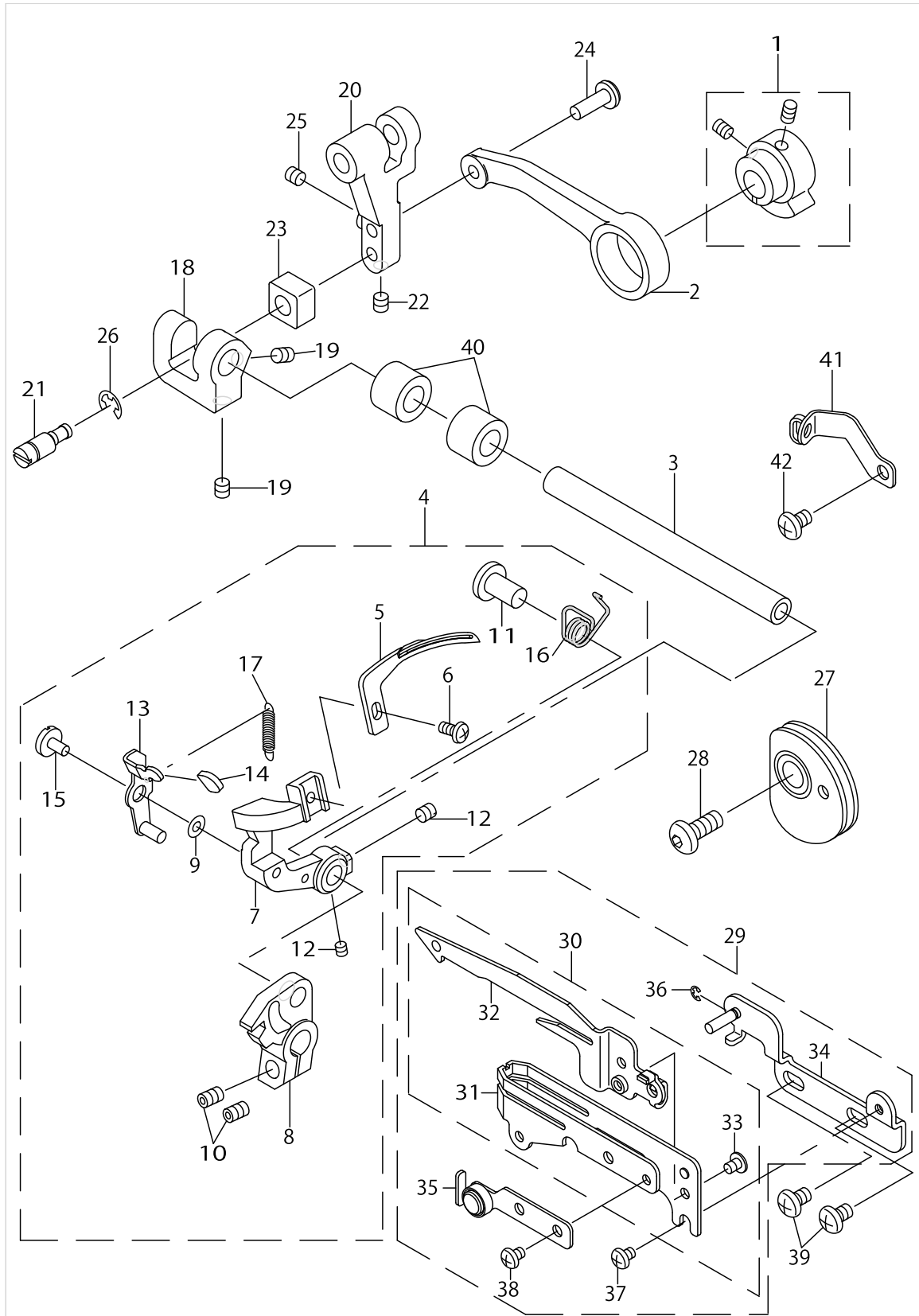
FEED MECHANISM COMPONENTS



FEED MECHANISM COMPONENTS

No.	Supply Code	Parts No.	Replacement	Parts name	Remarks	Choice	Step	Level	Cons	Qty	Rep. QTY
92		RE050000K0		E-RING						1	
93		A1614655000		WASHER						1	

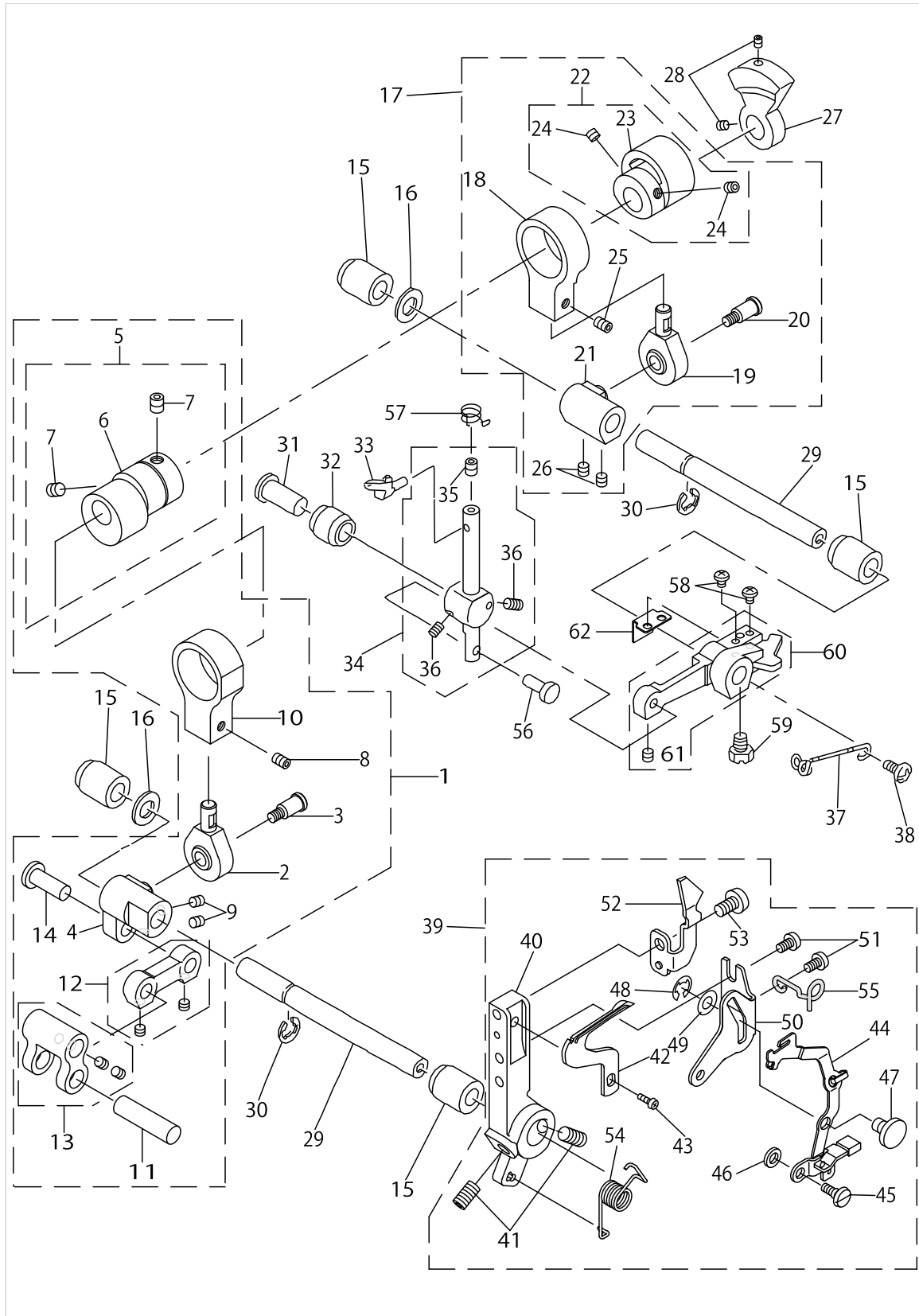
CHAIN LOOPER COMPONENTS



CHAIN LOOPER COMPONENTS

No.	Supply Code	Parts No.	Replacement	Parts name	Remarks	Choice	Step	Level	Cons	Qty	Rep. QTY
1		A21036550A0		CHAIN LOOPER SLIDE CAM ASM.						1	
2		A2105535000		CHAIN LOOPER ROD						1	
3		A2107655000		CHAIN LOOPER SHAFT						1	
4		A21096550B0C		CHAIN LOOPER MAS. ASM.						1	
5		A21099DC0A0		CHAIN LOOPER ASM.				*		1	
6		SM5030655SN		SCREW				*		1	
7		A2151655000A		CHAIN LOOPER SUPPORT ARM A				*		1	
8		A2152655000A		CHAIN LOOPER SUPPORT ARM B				*		1	
9		WP0320501SC		WASHER				*		1	
10		SM8040602TP		SCREW M4X0.7 L=6				*		2	
11		A2155655000A		CHAIN LOOPER SUPPORT SHAFT				*		1	
12		SM8030302TP		SCREW				*		2	
13		A21536550A0		CH. LOOPER SUP. ARM LATCH ASM.				*		1	
14		A116731500AA		SUPPORT ARM LATCH KNOB				*		1	
15		A2156655000		SCREW				*		1	
16		A2158655000		SPRING				*		1	
17		A2159655000		SPRING				*		1	
18		A2113535000		CHIAN LOOPER SLI-DE BLOCK GUIDE						1	
19		SM8040402TP		SCREW						2	
20		A2114535000		CHAIN LOOPER SUPPORT ARM						1	
21		A2115655000		CH.LOOPER BLOCK GUIDE SHAFT						1	
22		SM8040402TP		SCREW						1	
23		A2116535000		CHAIN LOOPER BLOCK GUIDE						1	
24		A2529335000		CHAIN LOOPER ROD PIN						1	
25		SM8040402TP		SCREW						1	
26		RE0400000K0		E-RING 4						1	
27		A21246550A0		CHAIN LOOPER TAKE-UP ASM.						1	
28		A2138335000		SCREW						1	
29		A21306550B0		CH.LO. TAKE-UP G-UIDE MAS. ASM.						1	
30		A21306550A0		CHAIN LOOPER TA-KE-UP GUIDE ASM				*		1	
31		A2130655000		CHAIN LOOPER TAKE-UP GUIDE 1				*		1	
32		A21316550A0		TAKE-UP GUIDE 2 ASM.				*		1	
33		SM0030401SN		SCREW				*		1	
34		A21326550A0		TAKE-UPPLATEASM.				*		1	
35		A21346550A0		TAKE-UP THREAD GUIDE B(ASM.)				*		1	
36		RE0200000K0		E-RING				*		1	
37		SM4030455SN		SCREW				*		1	
38		SM4030455SN		SCREW				*		1	
39		SM4040655SN		SCREW						2	
40		A1675335000		CHIAN LOOPER SHAFT METAL						2	
41		A21255350A0		THREAD GUIDE A ASM.						1	
42		SM4040655SN		SCREW						1	

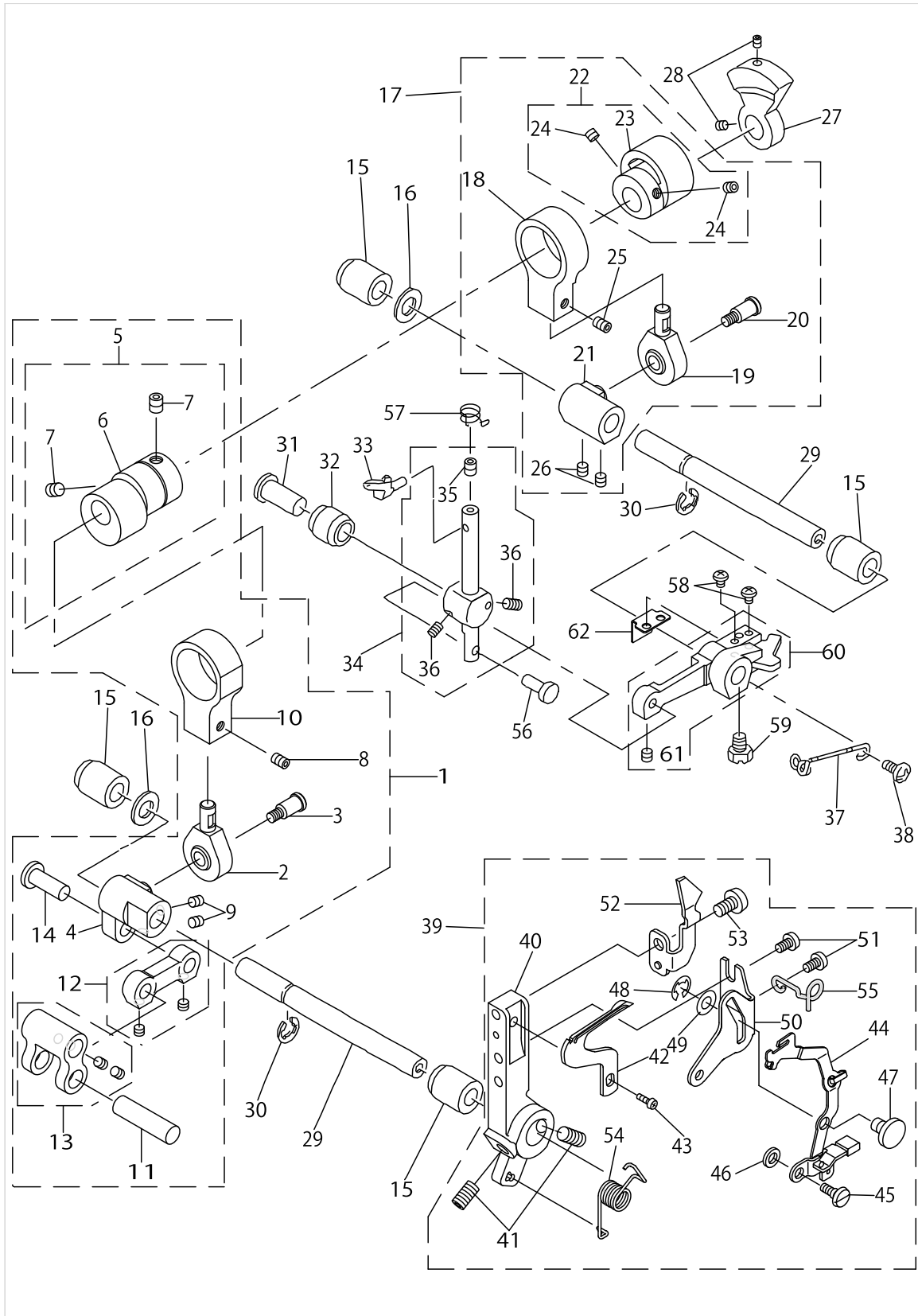
LOOPER DRIVE COMPONENTS



LOOPER DRIVE COMPONENTS

No.	Supply Code	Parts No.	Replacement	Parts name	Remarks	Choice	Step	Level	Cons	Qty	Rep. QTY
1		A25156550A0A		LOWER LOOPER ROD ASM.						1	
2		A2503776000		CONNECTING ROD				*		1	
3		A2504776000		CONNECTING SCREW				*		1	
4		A2516655000		LOWER LOOPER DRIVING ARM				*		1	
5		A25145340A0B		LOWER LOOPER CAM ASM.				*		1	
6		A2514534000C		LOWER LOOPER CAM				*		1	
7		SM8050602TP		SCREW				*		2	
8		SM8040602TP		SCREW				*		1	
9		SM8040402TP		SCREW				*		2	
10		A2515534000A		LOWER LOOPER ROD				*		1	
11		A2111335000		CHAIN LOOPER SLIDE SHAFT				*		1	
12		A21015350A0		CHAIN LOOPER ROD ASM.				*		1	
13		A21023350AS		CHAIN LOOPER SLIDE ARM				*		1	
14		A1403102000		CONNECTING PIN				*		1	
15		A2112204000		LOOPER SHAFT METAL						4	
16		WP0820516SP		WASHER						2	
17	R	A25025340A0A	40061961	UPPER LOOPER ROD ASM.						1	1.00
18		A2502534000A		UPPER LOOPER ROD				*		1	
19		A2503776000		CONNECTING ROD				*		1	
20		A2504776000		CONNECTING SCREW				*		1	
21		A2505776000		LOWER LOOPER DRIVING ARM				*		1	
22	R	A25015340A0A	40079509	UPPER LOOPER CAM ASM.				*		1	1.00
23		A2501534000A		UPPER LOOPER CAM				*		1	
24		SM8040402TP		SCREW				*		2	
25		SM8040602TP		SCREW				*		1	
26		SM8040402TP		SCREW				*		2	
27		A2550534000C		LOOPER BALANCER						1	
28		SM8030402TP		SCREW M3X0.5 L=4						2	
29		A2521534000		LOOPER SHAFT						2	
30		RE0600000K0		E-RING						2	
31		A2531534000		UPPER LOOPER GUIDE SHAFT						1	
32		A1657335000		BUSHING						1	
33		A2512234000		UPPER LOOPER						1	
34	R	A25303350AS	A25308000A0	UPPER LOOPER SLIDE STUD ASM.						1	1.00
35		SM8050602TP		SCREW				*		1	
36		SM8040402TP		SCREW				*		2	
37		A25196340A0		UPPER LOOPER TH-R. TAKE-UP ASM.						1	
38		SM4040655SN		SCREW						1	
39		A25176540A0B		LOWER LOOPER TH-READING DEVICE						1	
40		A251733500S		LOWER LOOPER SUPPORT ARM				*		1	
41		SM8040602TP		SCREW				*		2	
42		A252633500A		LOWER LOOPER				*		1	
43		SM5030655SN		SCREW				*		1	
44		A25346540B0A		LOWER LOOPER TH-READ GUIDE ASM.				*		1	
45		A253133500S		SCREW				*		1	

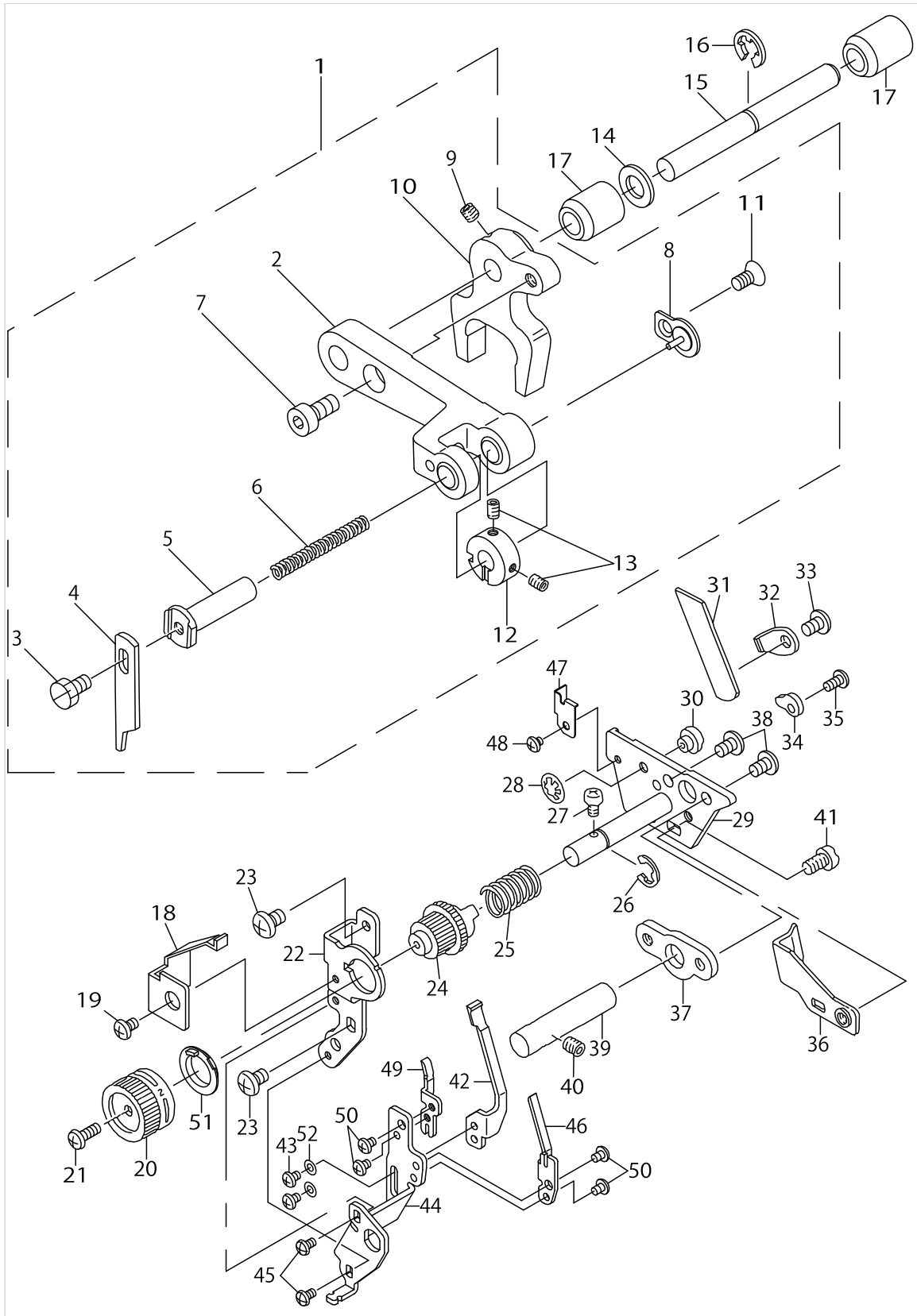
LOOPER DRIVE COMPONENTS



LOOPER DRIVE COMPONENTS

No.	Supply Code	Parts No.	Replacement	Parts name	Remarks	Choice	Step	Level	Cons	Qty	Rep. QTY
46		WP0320501SC		WASHER				*		1	
47		A253233500S		PIN				*		1	
48		RE0200000K0		E-RING				*		1	
49		A253933500S		WASHER				*		1	
50		A253333500S		LOWER LOOPER TH- READ GUIDE BASE				*		1	
51		SM5030655SN		SCREW				*		2	
52		A2536554000A		MOVABLE NEEDLE GUARD (BACK)				*		1	
53		SM5030655SN		SCREW				*		1	
54		A253733500SA		LO.LOOPER THREAD GUIDE SPRING				*		1	
55		A25206540A0		LOWER LOOPER TH- READ TAKE-UP				*		1	
56		A2529335000		UPPER LOOPER ARM PIN						1	
57		A25215130A0		UP.LOOPER THREAD GUIDE						1	
58		SM4030455SP		SCREW						2	
59		SM9050850SP		SCREW						1	
60		A25103350B0		UPPER LOOPER ARM ASM.						1	
61		SM8040402TP		SCREW				*		1	
62		A2508335000		RELEASE LEVER PRESSER						1	

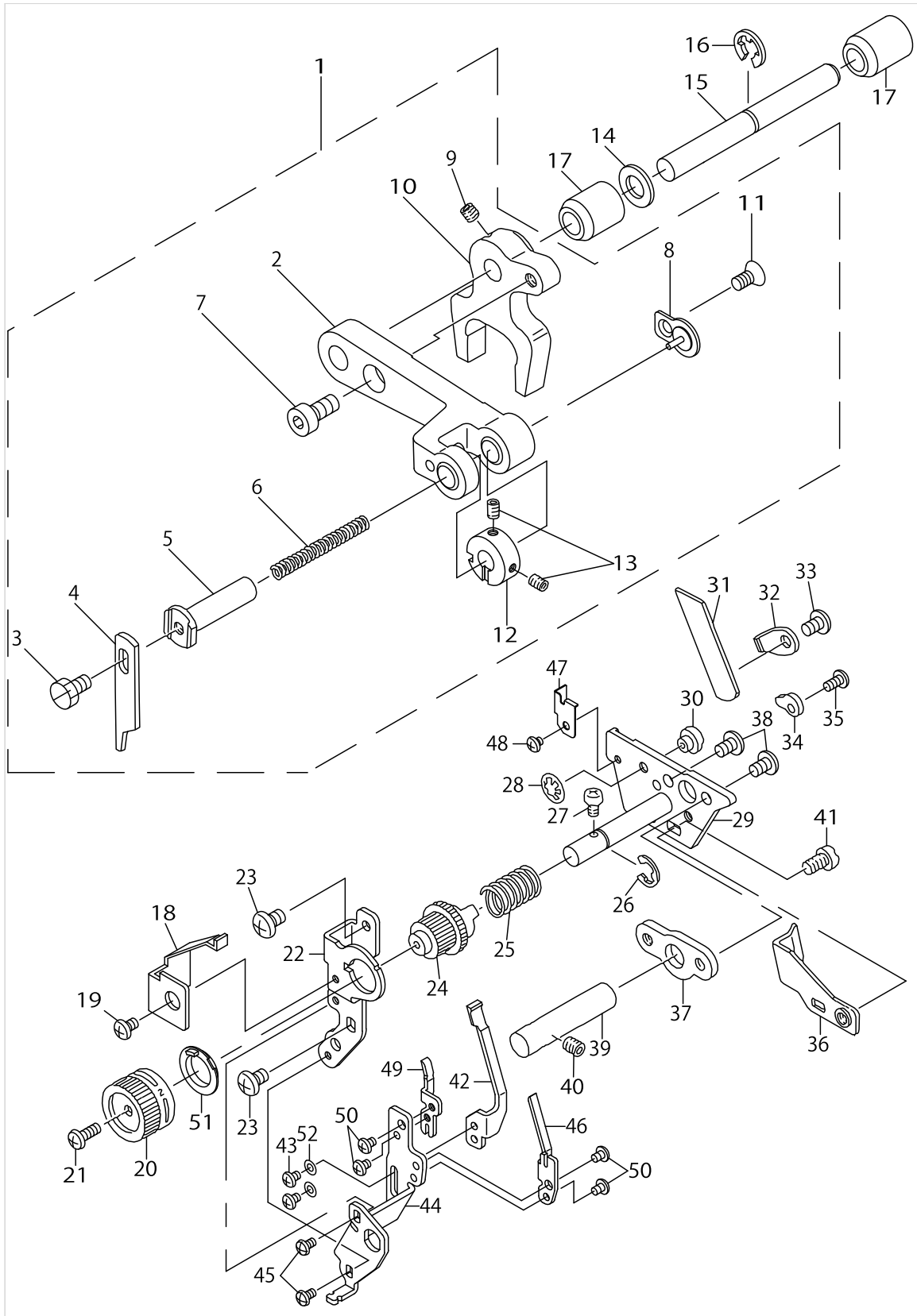
KNIFE COMPONENTS



KNIFE COMPONENTS

No.	Supply Code	Parts No.	Replacement	Parts name	Remarks	Choice	Step	Level	Cons	Qty	Rep. QTY
1		A41016550A0		UPPER KNIFE DRIVING ARM ASM.						1	
2		A4101503000C		UPPER KNIFE DRIVING ARM				*		1	
3		SM9040700SP		SCREW				*		1	
4		A4142655000		UPPER KNIFE				*		1	
5		A4103535000		UPPER KNIFE HOLDER				*		1	
6		A4106535000		KNIFE PRESSER SPRING				*		1	
7		SM6051002TP		SCREW				*		1	
8		A41075020A0		KNIFE SPRING SUP- PORTING PLATE				*		1	
9		SM8040402TP		SCREW				*		2	
10	R	A4102535000	40072483	UPPER KNIFE FORKED ARM				*		1	1.00
11		SM1030601SP		SCREW				*		1	
12		A4105776000A		UPPER KNIFE TURNING KNOB				*		1	
13		SM8030402TP		SCREW				*		2	
14		WP0820516SP		WASHER						1	
15		A4108535000		UPPER KNIFE SHAFT						1	
16		RE0600000K0		E-RING						1	
17		A2112204000		BUSHING						2	
18		A4140535000		L KNIFE ADJ CAM PRESSER SPRING						1	
19		SM4030455SP		SCREW						1	
20		A4130654000A		LOWER KNIFE ADJ. KNOB						1	
21		ST5030851SN		SCREW						1	
22		A4131655000		LOWER KNIFE ADJ. SUPPORT						1	
23		SM4040655SN		SCREW						2	
24		A4128535000		LOWER KNIFE ADJ.CAM						1	
25		A4136335000		LOWER KNIFE HOLDER SPRING						1	
26		RE0500000K0		E-RING						1	
27		SM4030601SN		SCREW						1	
28		A3205555A00		KNIFE ANGLE ADJ.- SUPPORT STOPPE						1	
29		A41216550AC		LOWER KNIFE HOLDER ASM.						1	
30		A4149535000		LOWER KNIFE ANG- LE ADJ.SUPPORT						1	
31		A4145335000		LOWER KNIFE						1	
32		A4123335000		LOWER KNIFE PRESSER PLATE						1	
33		SM4040655SP		SCREW						1	
34		A4124335000		LOWER KNIFE SUP- PORTING PLATE						1	
35		SM4030655SP		SCREW						1	
36		A4147655000		CHIP GUARD COVER STOPPER						1	
37		A4139655000		LOWER KNIFE HOLDER SUPPORT						1	
38		SM4040655SP		SCREW						2	
39		A4125655000		LOWER KNIFE HOLDER SHAFT						1	
40		SM8040402TP		SCREW						1	
41		SM4040655SP		SCREW						1	
42		A2535655000		LOCK NEEDLE GUARD (FRONT)						1	
43		SM4030655SP		SCREW						2	
44		A2537655000		NEEDLE GUARD SUPPORT PLATE						1	

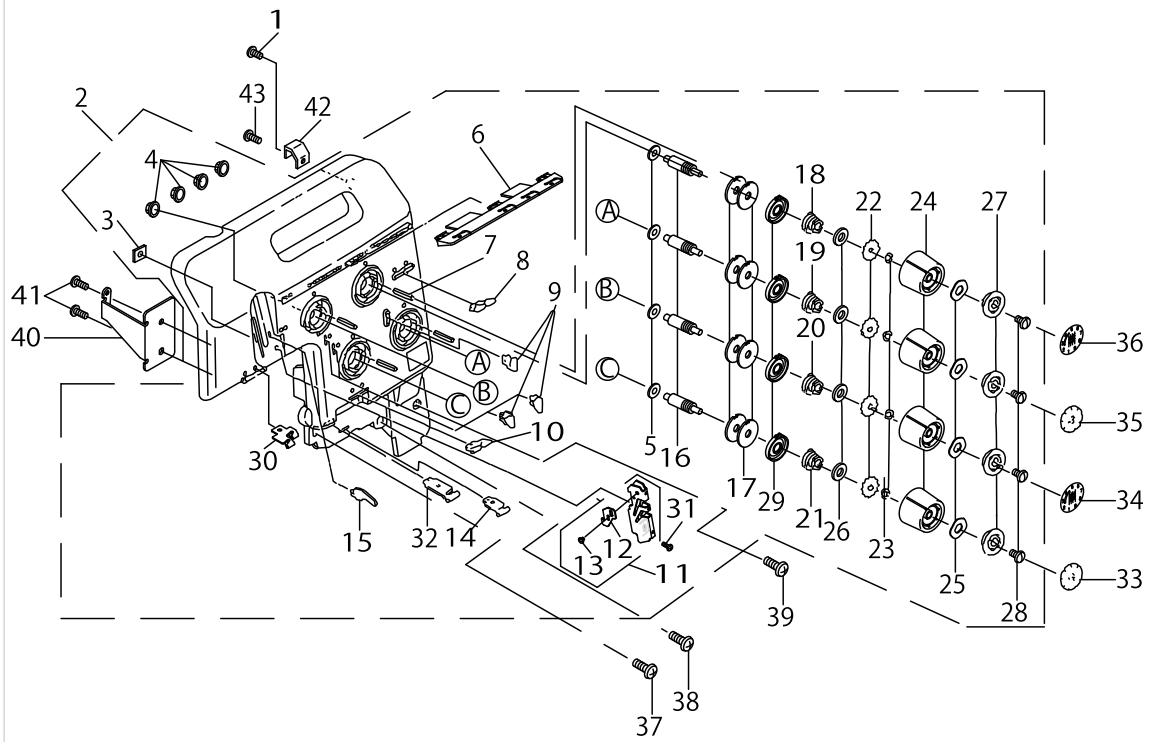
KNIFE COMPONENTS



KNIFE COMPONENTS

No.	Supply Code	Parts No.	Replacement	Parts name	Remarks	Choice	Step	Level	Cons	Qty	Rep. QTY
45		SM5030555SC		SCREW						2	
46		A4134655000		CHAIN NEEDLE GUARD FRONT						1	
47		A4122655000		LOWER KNIFE HOLDER GUARD PLATE						1	
48		SM4030301SC		SCREW						1	
49		A4135655000		CHAIN NEEDLE GUARD REAR						1	
50		SM4030455SP		SCREW						4	
51		A4132535000		LOWER KNIFE ADJ. BASE BUSHING						1	
52		WP0320500SC		WASHER						2	

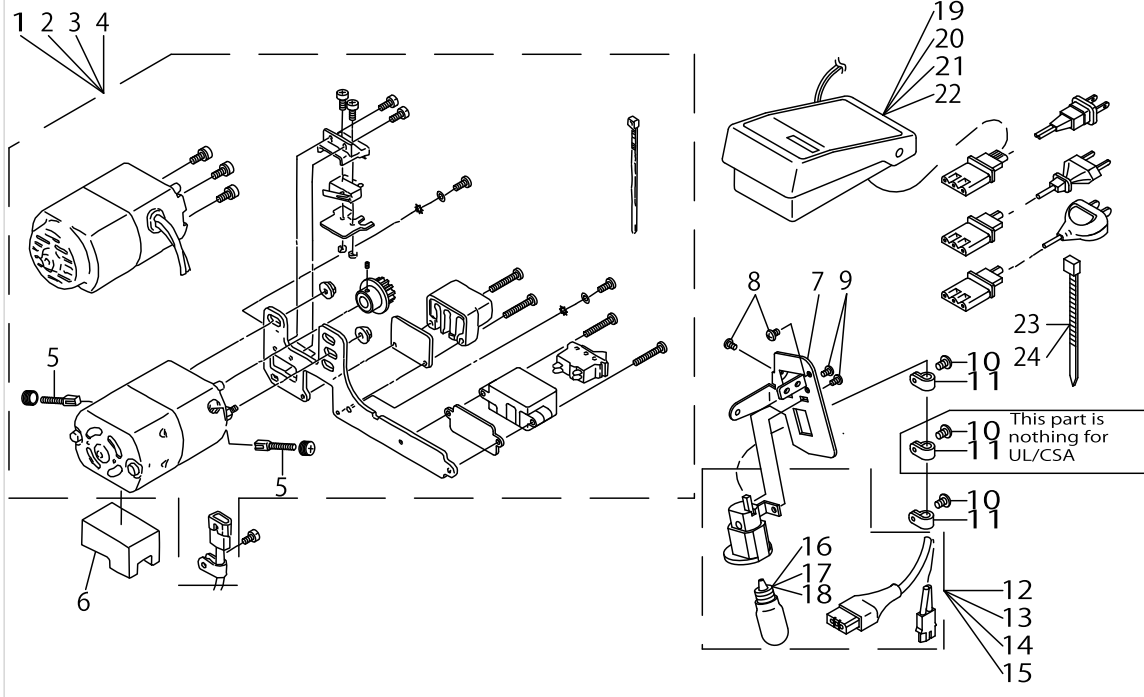
THREAD TENSION COMPONENTS



THREAD TENSION COMPONENTS

No.	Supply Code	Parts No.	Replacement	Parts name	Remarks	Choice	Step	Level	Cons	Qty	Rep. QTY
1		SM5030655SN		SCREW						1	
2		A31016550A0A		FRONT COVER ASM.						1	
3		A3151535000		NUT				*		1	
4		A3103502000		NUT				*		4	
5		WP0380516SD		WASHER				*		4	
6		A31076550B0		1 ST THREAD GUIDE				*		1	
7		PS0200202KH		PIN				*		4	
8		A3118204000		NEEDLE THREAD GUIDE				*		1	
9		A3110202000		THREAD GUIDE B				*		3	
10		A3157535000		THREAD GUIDE A				*		1	
11		A31196550A0		THREAD TAKE-UP GUIDE ASM.				*		1	
12		A3122655000		CHAIN THREAD TAKE-UP GUIDE				*		1	
13		SM5030355SN		SCREW				*		1	
14		A31576340AA		THREAD GUIDE(D)(-LOWER LOOPER)				*		1	
15		A3130634000		NEEDLE THREAD GUIDE PLATE				*		1	
16	R	A3102202000	A3102202000A	NEEDLE THREAD TENSION SHAFT				*		4	1.00
17		B3126352000		TENSION DISC				*		8	
18		A3901634000		SPRING				*		1	
19		A3901634000		SPRING				*		1	
20		A3906634000		SPRING				*		1	
21		A3902634000		SPRING				*		1	
22		A3134634000		TENSION NUT				*		4	
23		WP0510516SD		WASHER				*		4	
24	D	A3104654000A		THREAD ADJUSTING DIAL				*		4	
25		A3106202000		WAVED WASHER				*		4	
26		A3158535000		THREAD ADJUSTING SPRING WASHER				*		4	
27		A3105535000		DIAL PRESER PLATE				*		4	
28		A3109534000		SCREW				*		4	
29		A3900634000		THREAD TENSION SPRING BUSHING				*		4	
30		A3118335000		NEEDLE THREAD GUIDE				*		1	
31		SM5030855SN		SCREW				*		1	
32		A31576340A0		THREAD GUIDE(C)(-UPPER LOOPER)				*		1	
33		A3112644000		SEAL (UPPER LOOPER)						1	
34		A3114655000		SEAL (LEFT-HAND NEEDLE)						1	
35		A3113644000		SEAL (LOWER LOOPER)						1	
36		A3111655000		SEAL (RIGHT-HAND NEEDLE)						1	
37		SM5040655SN		SCREW						1	
38		SM5041055SN		SCREW						1	
39		SM5030855SN		SCREW						1	
40		A3154634000A		FRONT COV. INSTALLATION HOLDER						1	
41		ST5031051SN		TAPPING SCREW						2	
42		A3158634000		FRONT COVER FIXING BASE (A)						1	
43		ST5031051SN		TAPPING SCREW						1	

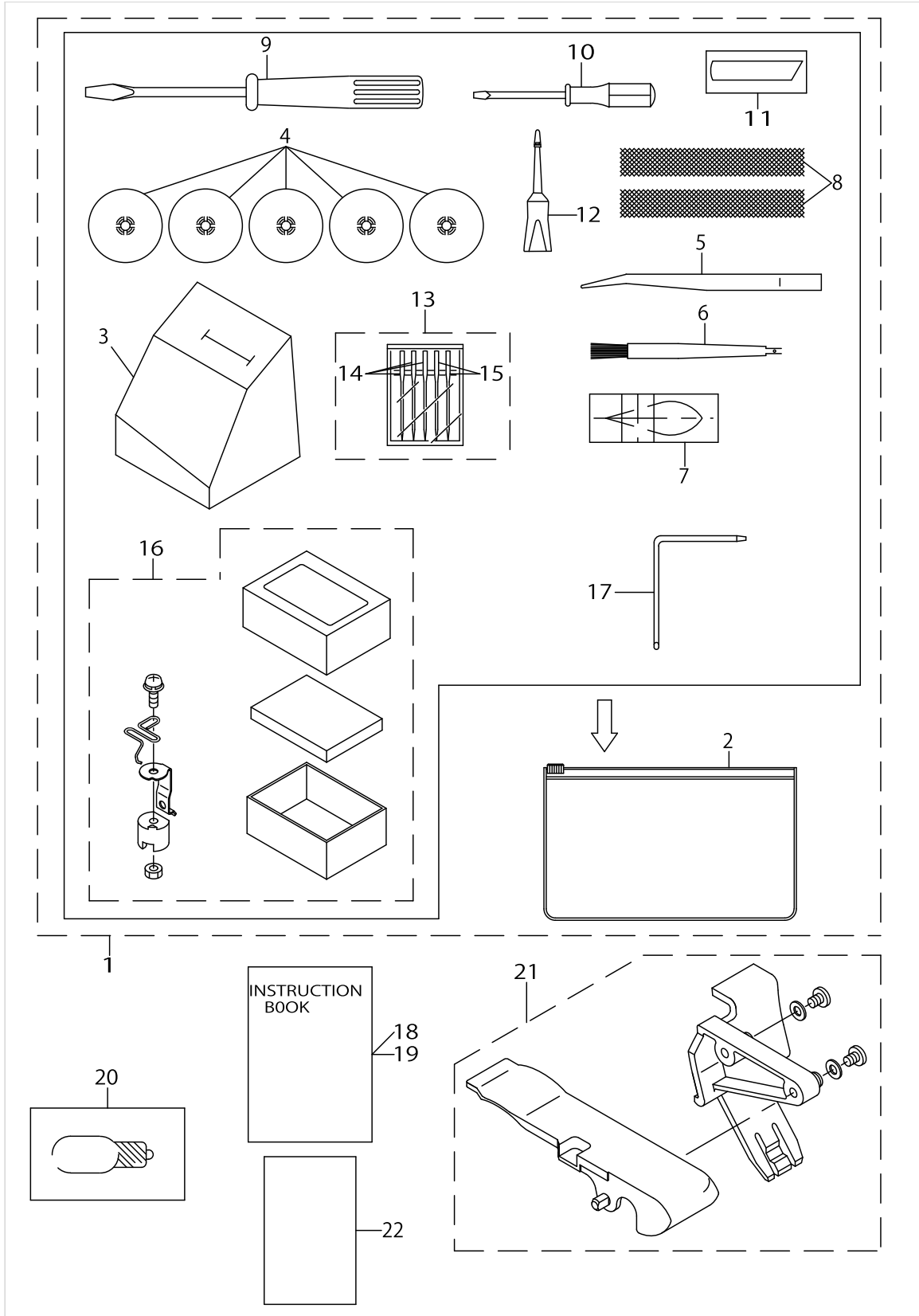
LAMP & MOTOR CONTROLLER COMPONENTS



LAMP & MOTOR CONTROLLER COMPONENTS

No.	Supply Code	Parts No.	Replacement	Parts name	Remarks	Choice	Step	Level	Cons	Qty	Rep. QTY
1		A6301634HA0		MOTOR ASM.(SAUDI)						1	
2		A6301634DA0B		MOTOR ASM.(UL/CSA)						1	
3		A6301634GA0A		MOTOR ASM.(VDE)						1	
4		A6301634GA0A		MOTOR ASM.(SAA)						1	
5	R	A6090534000	40176231	CARBON BRUSH(UL/CSA)				*		2	1.00
6		A6003535000		MOTOR PROTECTOR						1	
7		A6007634000		LAMP HOLDER SUPPORT						1	
8		SM4040655SN		SCREW						2	
9		SM5030555SC		SCREW						2	
10		SM4040655SN		SCREW						3	
11		HX00150000B		CABLE CLIP						3	
12		A60066340A0		LAMP HOLDER ASM.(SAUDI)						1	
13	R	A600653401D	A60068000AAA	LAMP HOLDER ASM.(UL/CSA)						1	1.00
14		A60066340ABA		LAMP HOLDER ASM.(VDE)						1	
15		A60066340ABA		LAMP HOLDER ASM.(SAA)						1	
16		A6013535000		LAMP (UL/CSA)				*		1	
17		A6013534C00		LAMP (VDE/SAA)				*		1	
18	R	A6007134E00	A6007134E00A	LAMP (SAUDI)				*		1	1.00
19	D	A6401634H00		FOOT CONT. ASM.(SAUDI)						1	
20		A6401634DA0C		FOOT CONT. ASM.(UL/CSA)						1	
21		A64016440AAA		FOOT CONT. ASM.(VDE)						1	
22		A6401634GA0B		FOOT CONT. ASM.(SAA)						1	
23		EA9500B0200		CABLE BAND (VDE/SAA/SAUDI)						2	
24		EA9500B0200		CABLE BAND (UL/CSA)						1	
25		SL5040865SN		SCREW						2	

ACCESSORIES PARTS COMPONENTS



ACCESSORIES PARTS COMPONENTS

No.	Supply Code	Parts No.	Replacement	Parts name	Remarks	Choice	Step	Level	Cons	Qty	Rep. QTY
1		A91216550A0		ACCESORYBAGASM.						1	
2		A9121503000A		ACCESORY BAG WITH ZIPPER				*		1	
3		A9102644000		VINYL COVER				*		1	
4		A115098000A		SPOOL RETAINER				*		5	
5		A9109202000		TWEEZERS				*		1	
6	R	A9105334000	40065952	NEEDLE INSERTER TOOL/BRUSH				*		1	1.00
7		A91072020AA		NEEDLE THREADER WITH PACK				*		1	
8		A9116335000		PLASTIC NET				*		2	
9		A9103102000		SCREW DRIVER LARGE				*		1	
10		A9107800M00		SCREW DRIVER SMALL				*		1	
11		A41455340A0		LOWER KNIFE WITH PACK				*		1	
12		A91041020A0		OILER WITH OIL ASM				*		1	
13		A91175030A0		NEEDLE CASE ASM. (B)				*		1	
14		MHA100B1100		NEEDLE HAX1 #11				*		3	
15		MHA100B1400		NEEDLE HAX1 #14				*		2	
16		A91303350BS		2/3THREAD SELECTOR ATT.ASM.				*		1	
17		A9111335000		RULER ROD				*		1	
18		A915065500A		MANUAL(ENG/SPA/GAR/FRA)						1	
19		A915065500B		MANUAL(CZECH/POL/HUNG)						1	
20	R	A6013634HA0	A6013800A00A	LAMP ASM.(SAUDI)						1	1.00
21		A11806550A0A		SUPPORT BED ASM.						1	
22		A9153655000		QUICK REFERENCE						1	

HOW TO MAKE USE OF THIS PARTS LIST

- 1.As to "#01" and "#02" refer to the "Note" given at the bottom of the respective pages.
- 2.Codes on the "Qty" column
 - Each numeral indicates the number of parts required.
 - "0.1" and "2.5" indicate the length (in meters) of the respective parts.
- 3.Parentheses mean that the corresponding part is a subpart that constructs an assembly part.
- 4.Dotted lines on the Figures indicate assembly parts.

NUMERICAL INDEX OF PARTS

PART NO	PAGE	REF NO.	PART NO	PAGE	REF NO.	PART NO	PAGE	REF NO.
A1102644000	4	55	A1201655000	6	2	A1614655000	14	93
A11026440A0	4	53	A1202644000	6	6	A1615534DA0	10	19
A1102644A00	4	56	A1205634000	6	9	A1616534D00	12	73
A1102644AA0	4	54	A1206102000	6	5	A1617534D00A	12	72
A110365D000A	2	21	A1206202000	6	4	A1618534D00	12	74
A1104644000A	2	40	A1206335000	6	1	A1618534D0A	12	83
A1104644A00A	2	41	A1206535000	6	7	A16196550A0	10	9
A1106655000	2	18	A1230500000A	6	8	A1620534DA0	10	22
A11156550A0	2	11	A1401535000A	8	17	A1625535000	12	91
A11156550B0B	2	10	A1402535000	8	9	A1627655000	12	76
A1118623000A	2	6	A1403102000	8	3	A1630534D00	10	44
A1119644000A	2	4	A1403102000	18	14	A1630535000	12	82
A1120202000	2	2	A1403335000A	8	16	A1631534D00	12	68
A1120334000	2	5	A1404535000	8	11	A1633534D00	10	25
A11206550A0	2	1	A14066550A0	8	30	A1634655000A	10	23
A1121202000	2	3	A14066550B0	8	29	A1635534D00	10	28
A1121203000	2	31	A1407102000	8	1	A1636534D00	10	11
A11213150A0A	2	36	A1409534000	8	33	A1637534D00	12	67
A1123535000	4	58	A1411335000	8	40	A1637534DA0	12	66
A1124644000	2	19	A1412535000	8	4	A1638776000	10	21
A1131655000A	2	12	A14126550A0	8	5	A1639534D00	12	60
A1132655000	2	13	A1414502000	8	14	A1639535000	12	81
A1135535000	2	39	A14145020A0	8	13	A1640534D00	12	63
A1136314DAAA	2	15	A1416777000	8	31	A1641534D00	12	54
A1138335000	2	9	A1501535000	8	20	A1642655000	12	77
A1145644000	2	20	A15016550B0A	8	37	A1645534D00	12	48
A1146644000	2	16	A15016550C0A	8	35	A1646534D00	12	49
A1147535000	2	34	A1502535000	8	21	A1647534D00	12	51
A115098000A	30	4	A1503634000	8	19	A1648655000	12	80
A11516550B0B	4	60	A15045350A0	8	25	A1650534D00	12	65
A1151655A00A	4	62	A15069DC000	8	27	A1651534DA0	12	59
A1151655B00A	4	63	A1507535000	8	23	A1653776000	12	46
A1151655BB0B	4	61	A15145350C0	8	36	A1654776000A	12	86
A1152655000A	4	64	A1550655000	8	38	A1655534D00	10	30
A11536550A0A	4	67	A1601655000A	10	3	A1657335000	18	32
A1156654000A	4	47	A160265DE00A	10	4	A1657534DA0	10	37
A1160634000	2	43	A160365DE00	10	1	A1659534D00A	10	41
A11615350A0	2	29	A160465DE00	10	2	A1660534D00A	10	32
A1164535000	2	45	A1610655000	10	15	A1661534D00	10	40
A116731500AA	16	14	A1611655000	10	17	A1662655000A	10	29
A1171634000	4	69	A1612535000	12	89	A1663534D00	10	34
A11806550A0A	30	21	A1613535000	10	14	A16637760A0	10	43
A1190655000	4	65	A1613655000	10	5	A1664655000	10	31
A1191655000	2	25	A1614534D00	10	18	A1665534D00	12	56
A1194655000	4	66	A1614655000	10	93	A1675335000	16	40

NUMERICAL INDEX OF PARTS

PART NO	PAGE	REF NO.	PART NO	PAGE	REF NO.	PART NO	PAGE	REF NO.
A21015350A0	18	12	A2516655000	18	4	A3134634000	26	22
A21023350AS	18	13	A251733500S	18	40	A3150535000	4	52
A21036550A0	16	1	A25176540A0B	18	39	A3151535000	2	23
A2105535000	16	2	A25196340A0	18	37	A3151535000	26	3
A2107655000	16	3	A25206540A0	20	55	A3154634000A	26	40
A21096550B0C	16	4	A25215130A0	20	57	A3157535000	26	10
A21099DC0A0	16	5	A2521534000	18	29	A31576340A0	26	32
A2111335000	18	11	A252633500A	18	42	A31576340AA	26	14
A2112204000	18	15	A2529335000	12	84	A3158535000	26	26
A2112204000	22	17	A2529335000	16	24	A3158634000	26	42
A2113535000	16	18	A2529335000	20	56	A3161634000	4	49
A2114535000	16	20	A25303350AS	18	34	A3205555A00	22	28
A2115655000	16	21	A253133500S	18	45	A3900634000	26	29
A2116535000	16	23	A2531534000	18	31	A3901634000	26	19
A21246550A0	16	27	A253233500S	20	47	A3902634000	26	21
A21255350A0	16	41	A253333500S	20	50	A3906634000	26	20
A2130655000	16	31	A25346540B0A	18	44	A4101503000C	22	2
A21306550A0	16	30	A2535655000	22	42	A41016550A0	22	1
A21306550B0	16	29	A2536554000A	20	52	A4102535000	22	10
A21316550A0	16	32	A253733500SA	20	54	A4103535000	22	5
A21326550A0	16	34	A2537655000	22	44	A4105776000A	22	12
A21346550A0	16	35	A2538554000	2	24	A4106535000	22	6
A2138335000	16	28	A253933500S	20	49	A41075020A0	22	8
A2151655000A	16	7	A2550534000C	18	27	A4108535000	22	15
A2152655000A	16	8	A31016550A0A	26	2	A41216550AC	22	29
A21536550A0	16	13	A3102202000	26	16	A4122655000	24	47
A2154655000A	2	33	A3103502000	26	4	A4123335000	22	32
A2155655000A	16	11	A3104654000A	26	24	A4124335000	22	34
A2156655000	16	15	A3105535000	26	27	A4125655000	22	39
A2158655000	16	16	A3106202000	26	25	A4128535000	22	24
A2159655000	16	17	A31076550B0	26	6	A4130654000A	22	20
A2501534000A	18	23	A3109534000	26	28	A4131655000	22	22
A25015340A0A	18	22	A3110202000	26	9	A4132535000	24	51
A2502534000A	18	18	A3111655000	26	36	A4134655000	24	46
A25025340A0A	18	17	A3112644000	26	33	A4135655000	24	49
A2503776000	18	19	A3113644000	26	35	A4136335000	22	25
A2504776000	18	20	A3114655000	26	34	A4139655000	22	37
A2505776000	18	21	A3118204000	26	8	A4140535000	22	18
A2508335000	20	62	A3118335000	26	30	A4142655000	22	4
A25103350B0	20	60	A31196550A0	26	11	A4145335000	22	31
A2512234000	18	33	A3122655000	26	12	A41455340A0	30	11
A2514534000C	18	6	A3123644A00	2	26	A4147655000	22	36
A25145340A0B	18	5	A3123644B00	2	27	A4149535000	22	30
A2515534000A	18	10	A3123644C00	2	28	A6003535000	28	6
A25156550A0A	18	1	A3130634000	26	15	A600653401D	28	13

NUMERICAL INDEX OF PARTS

PART NO	PAGE	REF NO.	PART NO	PAGE	REF NO.	PART NO	PAGE	REF NO.
A60066340A0	28	12	NM6030001SE	10	45	SM4040855SN	4	48
A60066340ABA	28	15	PS0200202KH	26	7	SM5030355SN	26	13
A6007134E00	28	18	PS0400222KH	6	3	SM5030455SN	8	32
A6007634000	28	7	RE0200000K0	6	19	SM5030555SC	24	45
A6013534C00	28	17	RE0200000K0	16	36	SM5030555SC	28	9
A6013535000	28	16	RE0200000K0	20	48	SM5030655SN	10	55
A6013634HA0	30	20	RE0300000K0	10	58	SM5030655SN	12	55
A6020535000	6	14	RE0300000K0	12	58	SM5030655SN	16	6
A6021535000	6	10	RE0400000K0	10	62	SM5030655SN	18	53
A6026335EA0	6	15	RE0400000K0	12	62	SM5030655SN	20	53
A6033535000	6	18	RE0400000K0	16	26	SM5030655SN	26	1
A6036535000	6	20	RE0500000K0	8	28	SM5030855SN	10	6
A6051634000	4	57	RE0500000K0	10	92	SM5030855SN	26	39
A6090534000	28	5	RE0500000K0	12	92	SM5032555SE	2	32
A6301634DA0B	28	2	RE0500000K0	14	92	SM5040655SN	10	16
A6301634GA0A	28	4	RE0500000K0	22	26	SM5040655SN	26	37
A6301634HA0	28	1	RE0600000K0	8	7	SM5040855SN	2	46
A6401634DA0C	28	20	RE0600000K0	18	30	SM5040855SN	4	46
A6401634GA0B	28	22	RE0600000K0	22	16	SM5040855SN	6	11
A6401634H00	28	19	SL4040831SF	2	22	SM5040855SN	8	26
A64016440AAA	28	21	SL5031031SN	2	17	SM5041055SN	10	12
A9102644000	30	3	SL5040865SN	2	38	SM5041055SN	26	38
A9103102000	30	9	SL5040865SN	28	25	SM5043755SC	2	8
A91041020A0	30	12	SM0030401SN	16	33	SM5051255SN	2	59
A9105334000	30	6	SM1030601SP	22	11	SM5051255SN	4	59
A91072020AA	30	7	SM4020351SC	2	14	SM6051002TP	22	7
A9107800M00	30	10	SM4030301SC	8	39	SM8030302TP	12	57
A9109202000	30	5	SM4030301SC	24	48	SM8030302TP	16	12
A9111335000	30	17	SM4030455SN	6	17	SM8030402TP	12	87
A9116335000	30	8	SM4030455SN	16	38	SM8030402TP	18	28
A91175030A0	30	13	SM4030455SP	20	58	SM8030402TP	22	13
A9121503000A	30	2	SM4030455SP	22	50	SM8031202TP	10	33
A91216550A0	30	1	SM4030455SP	24	50	SM8040402SP	8	15
A91303350BS	30	16	SM4030601SN	22	27	SM8040402TP	8	12
A915065500A	30	18	SM4030655SP	12	78	SM8040402TP	10	90
A915065500B	30	19	SM4030655SP	22	43	SM8040402TP	12	90
A9153655000	30	22	SM4040655SN	4	50	SM8040402TP	16	25
B3126352000	26	17	SM4040655SN	6	13	SM8040402TP	18	61
EA9500B0200	28	24	SM4040655SN	8	6	SM8040402TP	20	61
HX00150000B	6	12	SM4040655SN	10	20	SM8040402TP	22	40
HX00150000B	28	11	SM4040655SN	16	42	SM8040602TP	12	71
MHA100B1100	8	34	SM4040655SN	18	38	SM8040602TP	16	10
MHA100B1100	30	14	SM4040655SN	22	23	SM8040602TP	18	41
MHA100B1400	8	41	SM4040655SN	28	10	SM8050402TP	8	22
MHA100B1400	30	15	SM4040655SP	22	41	SM8050602TP	8	18

NUMERICAL INDEX OF PARTS

PART NO	PAGE	REF NO.
SM8050602TP	18	35
SM8050842TP	4	51
SM8060602TP	8	2
SM9040700SP	12	79
SM9040700SP	22	3
SM9050850SP	20	59
ST5030851SN	2	35
ST5030851SN	6	21
ST5030851SN	22	21
ST5031051SN	26	43
ST5041051SN	2	68
ST5041051SN	4	68
ST5041251SN	2	42
WP0320500SC	24	52
WP0320501SC	16	9
WP0320501SC	20	46
WP0380516SD	26	5
WP0430801SC	10	24
WP0510516SD	26	23
WP0820516SP	8	8
WP0820516SP	18	16
WP0820516SP	22	14