

MODEL : TL-98P/98Q

List No : 6012-02

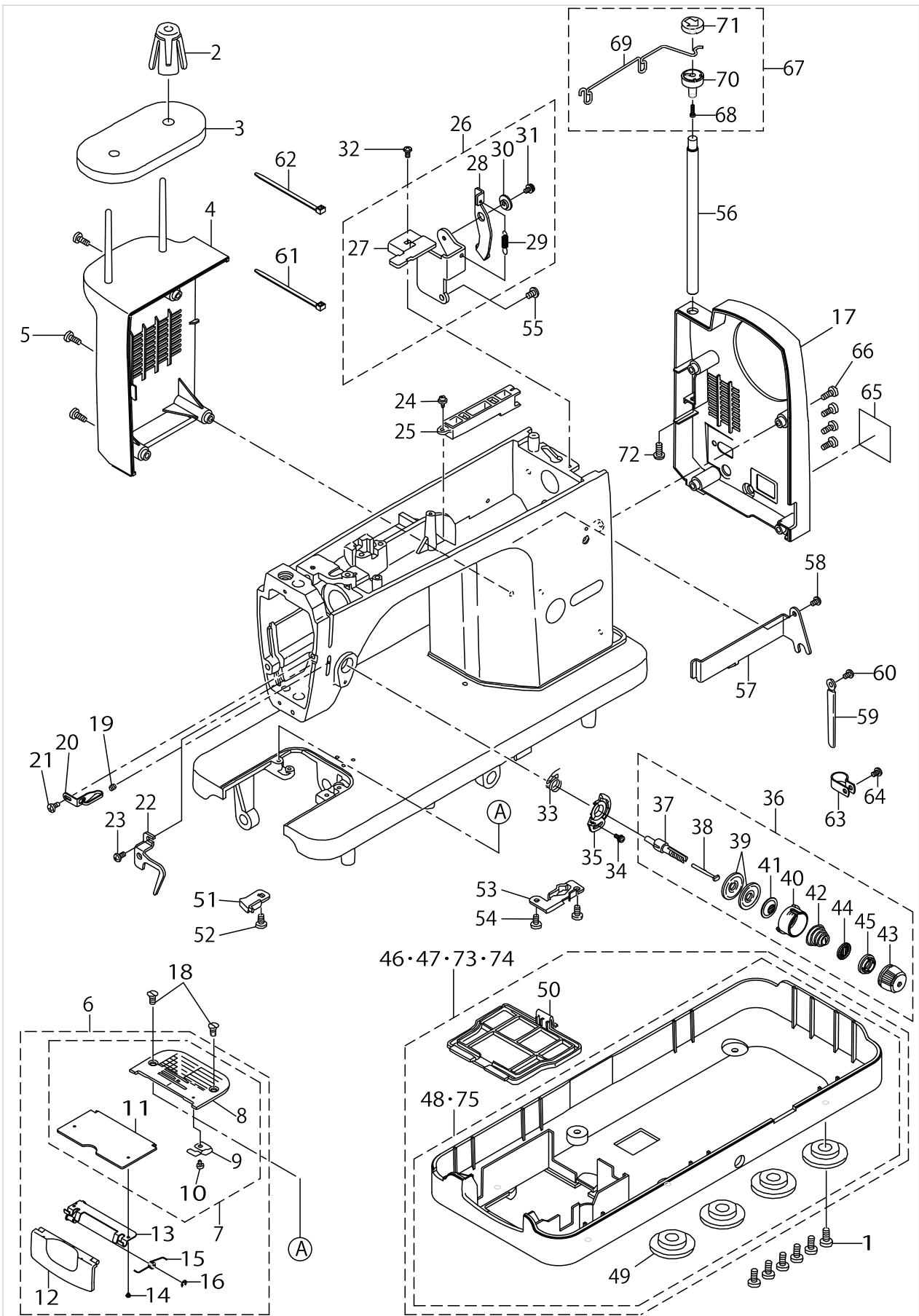
PARTS LIST

Published:05/12/2017

CONTENTS

HEAD AND OUTER COMPONENTS	1
ARM COVER, FACE PLATE AND LAMP COMPONENTS	5
MAIN SHAFT, THREAD TAKE-UP AND IDLER COMPONENTS	9
NEEDLE BAR, HOOK DRIVING SHAFT AND THREADER COMPONENTS	11
FEED MECHANISM COMPONENTS.....	15
DROP FEED KNOB COMPONENTS.....	19
PRESSER, KNEE LIFTER, WIRE HOLDER AND THREAD RELEASE COMPONENTS	21
MOTOR AND MAIN CIRCUIT BOARD COMPONENTS	25
MOVING KNIFE, LOOPER AND THREAD TRIMMER SOLENOID COMPONENTS	29
ACCESSORIES AND PACKING COMPONENTS	33
SEPARATELY-SOLD COMPONENTS	37
HOW TO MAKE USE OF THIS PARTS LIST	39

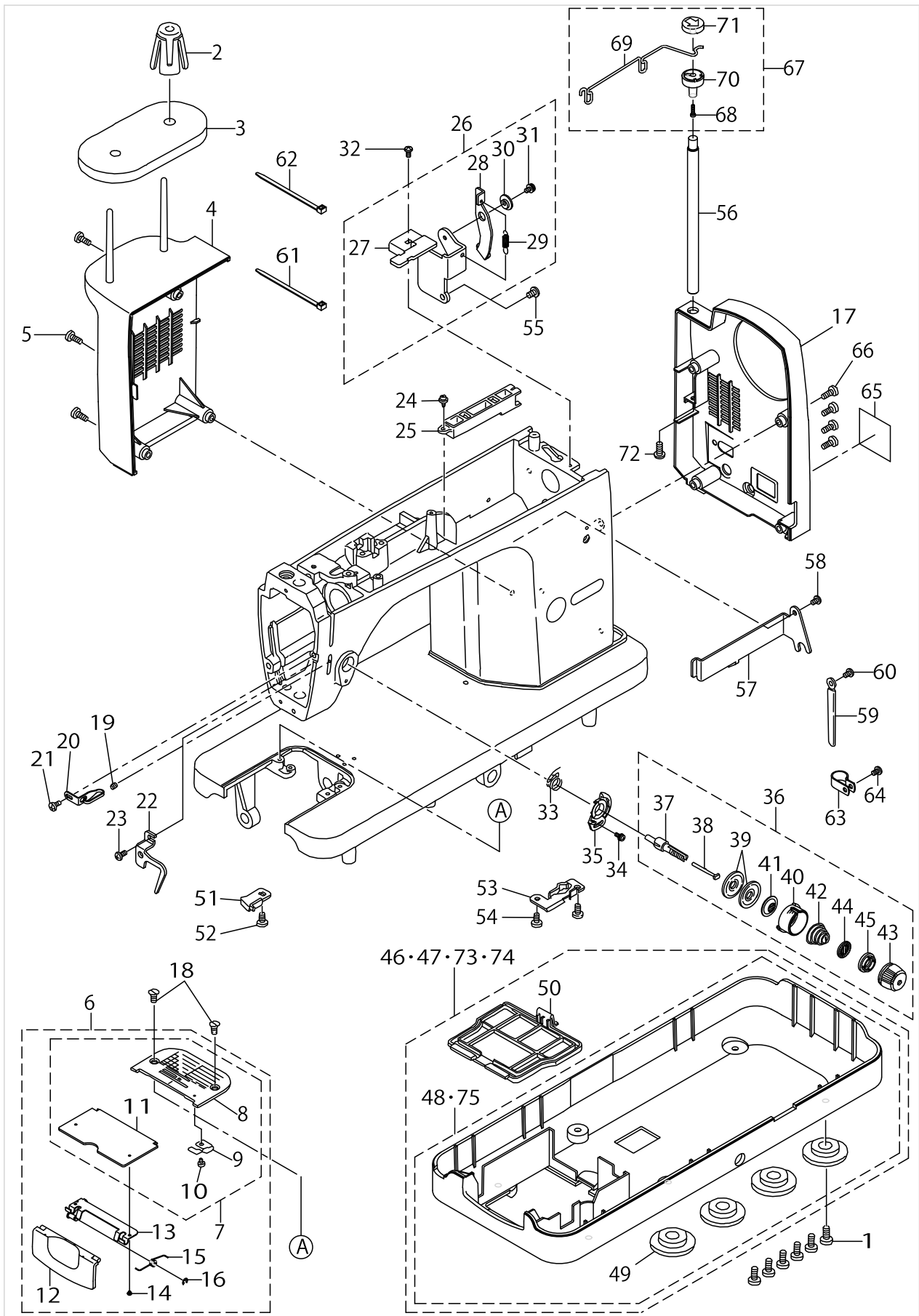
HEAD AND OUTER COMPONENTS



HEAD AND OUTER COMPONENTS

No.	Supply Code	Parts No.	Replacement	Parts name	Remarks	Choice	Step	Level	Cons	Qty	Rep. QTY
1		SM5051255SN		SCREW						6	
2		A1120202000		BOBBIN WINDER DE-FLECTION STOPPER						1	
3		A1121090000		BOBBIN WINDER SHEET						1	
4		A7105D25000		MOTOR COVER						1	
5		SM5041255SN		SCREW						3	
6		A1109E98ZC0		NEEDLE PLATE WHOLE MAS. ASM.						1	
7		A1109E98ZB0		NEEDLE PLATE MAS. ASM.				*		1	
8		A1109E98Z00		NEEDLE PLATE				*		1	
9		A1112090000		SPRING				*		1	
10		SM4020201SC		SCREW				*		1	
11	R	A1110D980A0	A1109E98ZB0	BOBBIN CASE COVER ASM.				*		1	1.00
12		A1112D98000		SIDE COVER				*		1	
13		A1113E98ZA0		STOPPER PLATE ASM.				*		1	
14		SM4020201SC		SCREW				*		2	
15		A1118E98Z00		SPRING				*		1	
16		RE0300000K0		E-RING				*		1	
17		A7103D25000		BELT COVER						1	
18		SM1040800SL		SCREW						2	
19		SM8040602TP		SCREW						1	
20		A3114D25000		THREAD GUIDE						1	
21		SM5030655SN		SCREW						1	
22		A3135096000		THREAD TENSION THREAD GUIDE						1	
23		SM4040855SP		SCREW						1	
24		SL5030831SF		SCREW						1	
25		A5001090000		CORD GUIDE						1	
26		A50000960A0		CORD GUIDE PLATE ASM.						1	
27		A5000096000		CORD GUIDE PLATE				*		1	
28		A5002096000		CLUTCH PLATE				*		1	
29		A3206030000		SPRING				*		1	
30		A2435033000		LINK COLLAR				*		1	
31		SL5030635SN		SCREW				*		1	
32		SM5030655SN		SCREW						1	
33		A3128098000		THREAD TAKE-UP SPRING						1	
34		SL5030801SN		SCREW						1	
35		A3111D98000		ADJUSTING PLATE						1	
36		A3122D250A0		THREAD TENSIONER ASM.						1	
37		A311209000AA		THREAD TENSION POST				*		1	
38		A3127090000B		TENSION RELEASE PIN				*		1	
39	R	B3126012000	22921506	THREAD TENSION DISK				*		2	1.00
40		A3132D98000		DISK PRESSER				*		1	
41		A3133D98000		DISKPRESSERPLATE				*		1	
42		B3129012A00		THREAD TENSION SPRING A				*		1	
43		A3124D25000		KNOB				*		1	
44		B3120125000		ROTATION STOPPER				*		1	
45		A3124096A00		KNOB RATCHET				*		1	
46		A116098PZB0B		BED COVER MAS. ASM.	FOR CE,BS,CHN					1	

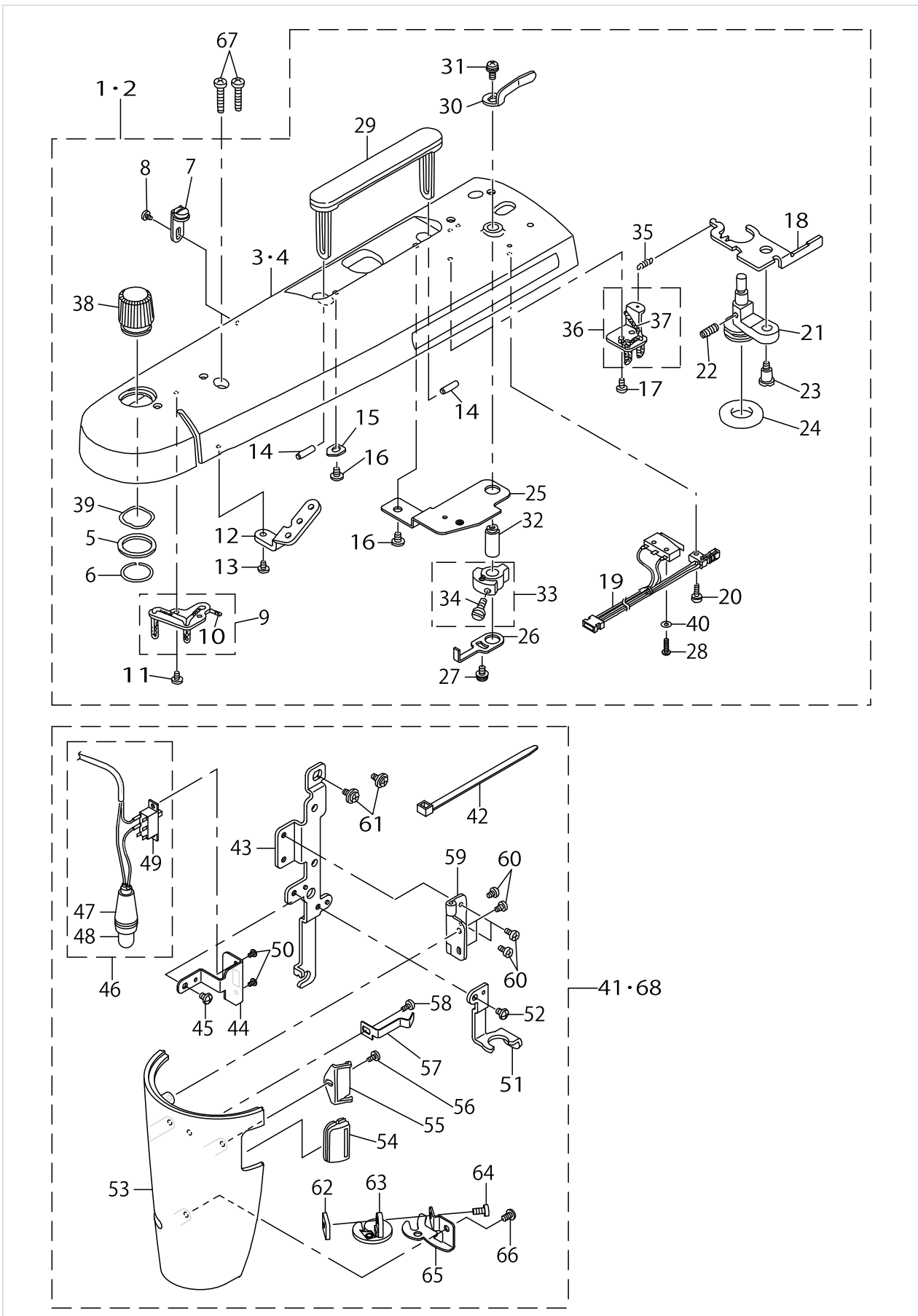
HEAD AND OUTER COMPONENTS



HEAD AND OUTER COMPONENTS

No.	Supply Code	Parts No.	Replacement	Parts name	Remarks	Choice	Step	Level	Cons	Qty	Rep. QTY
47		A1160Q98ZB0B		BED COVER MAS. ASM.	FOR UL					1	
48		A1160E98ZA0		BED COVER ASM.	FOR CE,UL- ,AUS,BS,CHN			*		1	
49		A116009000A		RUBBER SEAT				*		4	
50		A1161090000		BED COVER LID				*		1	
51		A8521090000		AUXI.TABLE SUPPO- RTING PLATE A						1	
52		SM5040855SN		SCREW						1	
53		A8522090000		AUXI.TABLE SUPPO- RTING PLATE B						1	
54		SM5040855SN		SCREW				*		2	
55		SM5040655SN		SCREW				*		1	
56	R	A1120334000	40082787	SUPPORTING ROD				*		1	1.00
57		A4502E98Z00		CORD GUIDE POST						1	
58		SM5040601SE		SCREW						1	
59		A3811550000		CORD HOLDER	FOR UL					1	
60		SM5040601SE		SCREW	FOR UL					1	
61		A407855000B		CLIP BAND						1	
62		A407855000B		CLIP BAND						1	
63		HX00150000F		CABLE CLIP	FOR CE,A- US,BS,CHN,KOR					1	
64		SM5040655SN		SCREW	FOR CE,A- US,BS,CHN,KOR					1	
65		A7103E98Z0A		WARNING LABEL F- OR POWER SUPPLY CORD						1	
66		SM5041055SN		SCREW						4	
67		A1116D250A0		THREAD GUIDE ASM.						1	
68		ST4861051SN		SCREW				*		1	
69		A1116D25000		THREAD GUIDE				*		1	
70		A1121313000		THREAD GUIDE BASE				*		1	
71		A1120313000		THREAD GUIDE TOP				*		1	
72		SM5051255SN		SCREW						1	
73		40068159		BED_COVER_MAS._ASM.	FOR SAS					1	
74		40080439		BED_COVER_MAS._ASM.	FOR KRO					1	
75		40080438		BED_COVER_ASM.	FOR KRO			*		1	

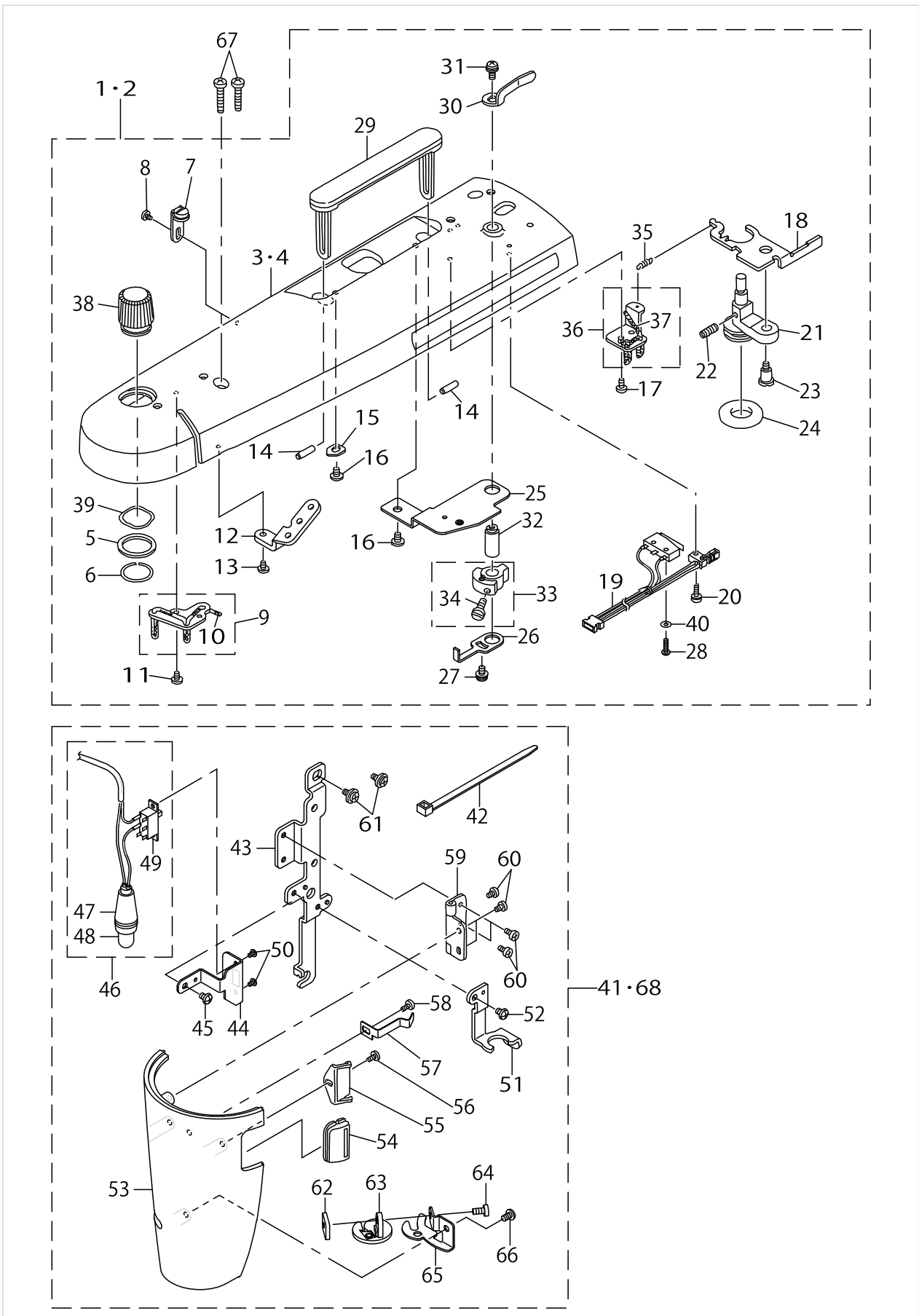
ARM COVER, FACE PLATE AND LAMP COMPONENTS



ARM COVER, FACE PLATE AND LAMP COMPONENTS

No.	Supply Code	Parts No.	Replacement	Parts name	Remarks	Choice	Step	Level	Cons	Qty	Rep. QTY
1		A113598PXB0		ARM COVER FULL ASM	FOR CE,A- US,BS,CHN,KOR					1	
2		A1135Q98ZB0A		ARM COVER MAS. ASM.	FOR UL					1	
3		A113598PXA0		ARM COVER ASM	FOR CE,A- US,BS,CHN,KOR			*		1	
4		A1135Q98ZA0A		ARM COVER ASM.	FOR UL			*		1	
5		A150209000B		WASHER				*		1	
6		A150209000A		STOP RING				*		1	
7		A32319570A0		THREAD GUIDE BASE ASM.				*		1	
8		SM5030655SN		SCREW				*		1	
9		A11360900AA		STOPPER PLATE A ASM.				*		1	
10		A113809000A		OIL WICK A				*		1	
11		SM5030655SN		SCREW				*		1	
12		A1128096000		THREAD GUIDE NO.1				*		1	
13		SM5030655SN		SCREW				*		1	
14		A1137090000		HANDLE GUIDE SHAFT				*		2	
15		A1138500000A		WASHER				*		1	
16		SM5040655SN		SCREW				*		2	
17		SM5030655SN		SCREW				*		1	
18		A3221096000		ADJUSTING PLATE				*		1	
19	R	A32260960A0A	40165537	BOBBIN WINDER SWITCH ASM.				*		1	1.00
20		SL5031031SE		SCREW				*		1	
21	D	A32040900A0		BOBBINWINDERASM.				*		1	
22		A3208X28000		SPRING				*		1	
23		A3205090000		SCREW				*		1	
24		A321600100A		RUBBER RING				*		1	
25		A3235096000		BOBBIN WINDER S- WITCH INSTALLING PLATE				*		1	
26		A3236096000		CONTACT PLATE				*		1	
27		SL5030635SN		SCREW				*		1	
28		SM4831001SF		SCREW				*		1	
29		A11340900A0		HANDLE ASM.				*		1	
30		A3217072000		BOBBIN HOLDER				*		1	
31		SL5030801SN		SCREW				*		1	
32		A3218096000		BOBBIN HOLDER SHAFT				*		1	
33		A32190960A0		BOBBIN WINDER C- ONTROLLER ASM.				*		1	
34		SM4041055SF		SCREW				*		1	
35		A3222090000		SPRING				*		1	
36		A11360900AB		OIL WICK HOLDER PLATE B ASM.				*		1	
37		A113809000B		OIL WICK B				*		1	
38		A1502090000		KNOB				*		1	
39		A150209000C		WASHER				*		1	
40		WP0250501SC		WASHER				*		1	
41		A3805Q98ZA0		FACE PLATE ASM.	FOR CE,UL- ,AUS,BS,CHN					1	
42		A407855000B		LAMP CLIP BAND				*		2	
43		A3805096000		FACE PLATE				*		1	
44		A3802096000		LAMP SWITCH INSTALLING PLATE				*		1	

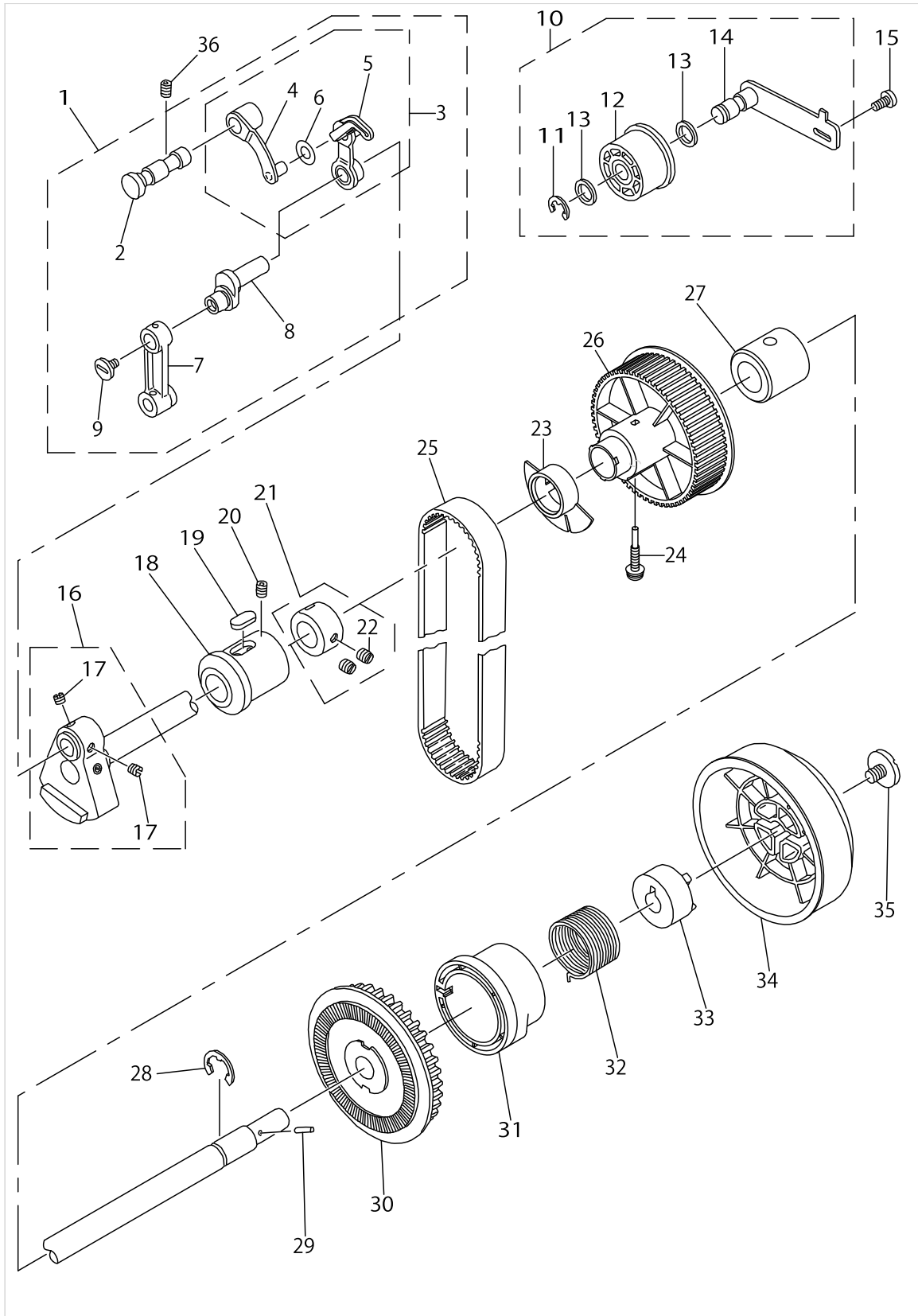
ARM COVER, FACE PLATE AND LAMP COMPONENTS



ARM COVER, FACE PLATE AND LAMP COMPONENTS

No.	Supply Code	Parts No.	Replacement	Parts name	Remarks	Choice	Step	Level	Cons	Qty	Rep. QTY
45		SM5030455SF		SCREW				*		1	
46		A3801D250A0		LAMP COCKET ASM.				*		1	
47	D	A3801D25000		LAMP COCKET				*		1	
48		A3803096000		LAMP BULB				*		1	
49		HA00346000A		SLIDE SWITCH				*		1	
50		SM4020301SC		SCREW				*		2	
51		A3804D25000A		LAMP INSTALLING BASE				*		1	
52		SM5030455SF		SCREW				*		1	
53		A3115D25000		FACE COVER	FOR CE,A- US,BS,CHN,KOR			*		1	
54		A3116Q98Z00		PRESSURE INDICATING PLATE	FOR CE,A- US,BS,CHN,KOR			*		1	
55		A3117090000		HOLDING PLATE	FOR CE,A- US,BS,CHN,KOR			*		1	
56		SM5030655SN		SCREW				*		1	
57		A3119096000		SPRING				*		1	
58		SM5030655SN		SCREW				*		1	
59		A31180900A0		FACE COVER LATCH ASM.				*		1	
60		SM5030655SN		SCREW				*		4	
61		SL5040631SE		SCREW				*		2	
62		A3151535000		NUT				*		1	
63		A3120D250A0		THREAD TRIMMER KNIFE ASM.				*		1	
64		SM5030655SN		SCREW				*		1	
65		A3123D25000		KNIFE INSTALLING BASE				*		1	
66		SM5030501SC		SCREW				*		1	
67		SM5042005SN		SCREW				*		2	
68		40080437		FACE_PLATE_ASM.	FOR KOR					1	

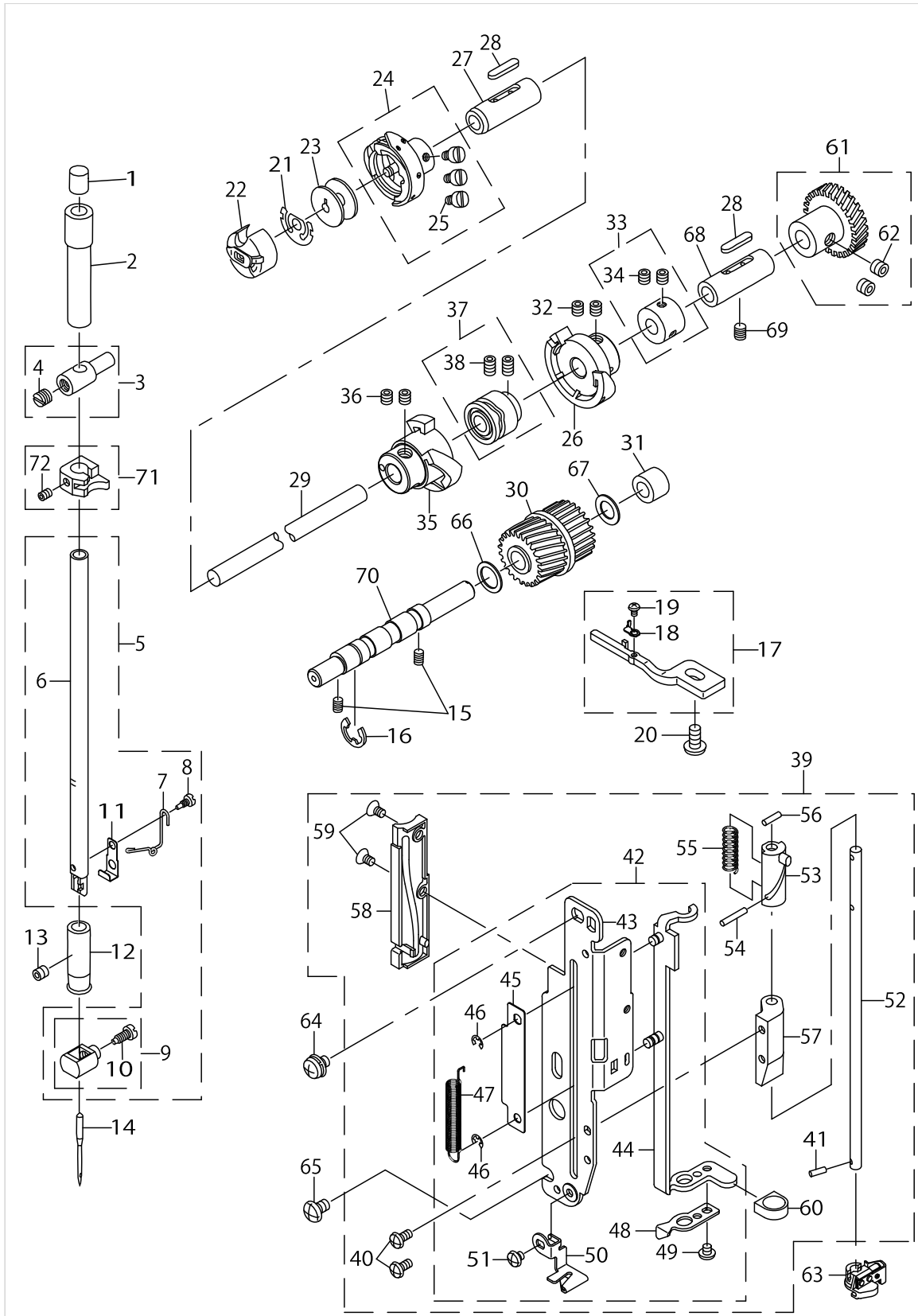
MAIN SHAFT, THREAD TAKE-UP AND IDLER COMPONENTS



MAIN SHAFT, THREAD TAKE-UP AND IDLER COMPONENTS

No.	Supply Code	Parts No.	Replacement	Parts name	Remarks	Choice	Step	Level	Cons	Qty	Rep. QTY
1		A19010900C0		THREAD TAKE-UP MAS. ASM.						1	
2		A1902090000		THREAD TAKE-UP SUPPORTING SHAFT				*		1	
3		A19010900B0		THREAD TAKE-UP ASM.				*		1	
4		A19040900A0		THREAD TAKE-UP SUPPORT ASM.				*		1	
5		A19010900A0		THREAD TAKE-UP BODY ASM.				*		1	
6		WP0620316RZ		WASHER				*		1	
7		A1408090000		NEEDLE BAR CRANK ROD				*		1	
8		A1209072000		NEEDLE BAR CRANK				*		1	
9		A1219907000		LEFT SCREW				*		1	
10		A72010900B0		IDLER MAS. ASM.						1	
11		RE0600000K0		E-RING				*		1	
12		A72030900A0		IDLER ASM.				*		1	
13		A7204090000A		WASHER				*		2	
14		A72010900A0		IDLER INSTALLING PLATE ASM.				*		1	
15		SM5040855SN		SCREW						1	
16		A1201D980A0		MAIN SHAFT ASM.						1	
17		SM8060502TP		SCREW				*		2	
18		A1202090000		MAIN SHAFT FRONT BUSHING						1	
19		A1203007000		FELT						1	
20		SM8050602TP		SCREW						1	
21		A12050900A0		MAIN SHAFT THRU-ST COLLAR ASM.						1	
22		SM8060502TP		SCREW				*		2	
23		A1210D25000		MAIN SHAFT DETECTOR SHIELD						1	
24		A1226D98000		SCREW						1	
25		A7110090000		MAIN SHAFT TIMING-BELT						1	
26		A1227D98000		MAIN SHAFT PULLEY						1	
27		A1204090000		MAIN SHAFT REAR BUSHING						1	
28		RE1000000K0		E-RING						1	
29		A1225090000		STOPPER PIN						1	
30		A1232090000A		MOTOR PULLEY						1	
31		A1244096000		CLUTCH SPRING SUPPORT						1	
32		A1248096000		CLUTCH SPRING						1	
33		A1229090000		HAND WHEEL BUSHING						1	
34		A1228090000A		HAND WHEEL						1	
35		A1230500000A		SCREW						1	
36		SM8050602TP		SCREW						1	

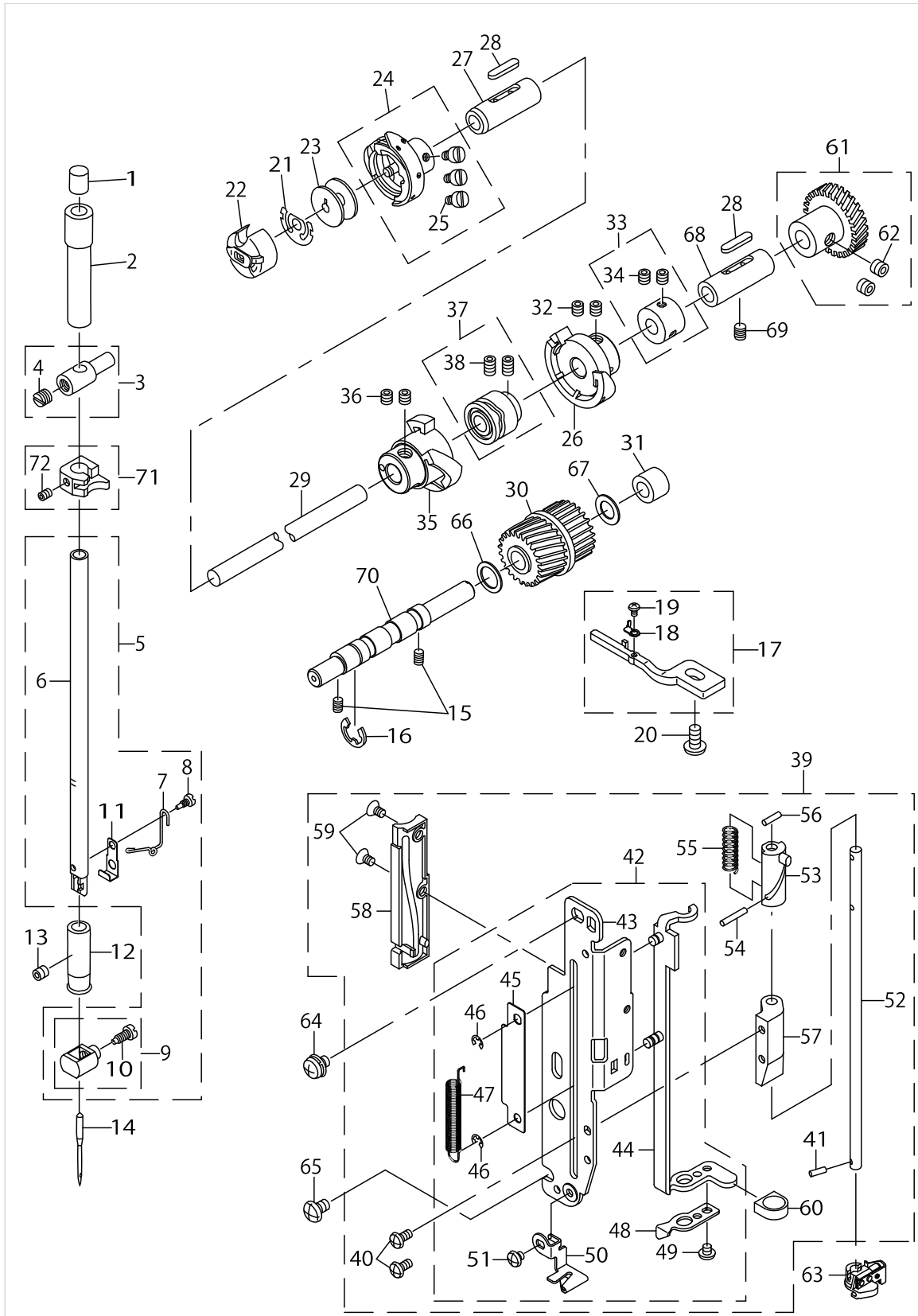
NEEDLE BAR, HOOK DRIVING SHAFT AND THREADER COMPONENTS



NEEDLE BAR, HOOK DRIVING SHAFT AND THREADER COMPONENTS

No.	Supply Code	Parts No.	Replacement	Parts name	Remarks	Choice	Step	Level	Cons	Qty	Rep. QTY
1		A1404072000		FELT						1	
2		A1402090000		NEEDLE BAR UPPER BUSHING						1	
3		A14110900A0		NEEDLE BAR CONNECTION ASM.						1	
4		SM8060510SP		SCREW				*		1	
5	R	A14010960B0A	40173365	NEEDLE BAR ASM.						1	1.00
6		A1401096000A		NEEDLE BAR				*		1	
7		A141609600AA		NEEDLE BAR THREAD BRACKET				*		1	
8		A1420001000		SCREW				*		1	
9		A14160960A0		NEEDLE CLAMP ASM.				*		1	
10		A1417096000		SCREW				*		1	
11		A1402096000A		NEEDLE MIS-INSERT PREVENTING PLATE				*		1	
12		A1403090000		NEEDLE BAR LOWER-BUSHING						1	
13		SM8040402TP		SCREW						1	
14		MHA100B1400		NEEDLE(HA 1 #14)						1	
15		SM8040602TP		SCREW						2	
16		RE0600000K0		E-RING						1	
17		A18350900A0B		BOBBIN CASE POSITIONING FINGER ASM.						1	
18		A1835090A00A		SPRING				*		1	
19	D	SM4020301SN		SCREW				*		1	
20		SM5040855SN		SCREW						1	
21		A183770000A		IDLING PREVENTING SPRING						1	
22		A1837D250AB		BOBBIN CASE ASM.						1	
23		A9117007000		BOBBIN						1	
24	R	A1830D250AA	A1830D250A0A	HOOK ASM.						1	1.00
25		SS6110560TP		SCREW				*		3	
26		A2462D25000		ROLLER HOLDING CAM						1	
27		A1802007000		HOOK DRIVING SHAFT FRONT BUSHING						1	
28		B1806038000		FELT						2	
29		A1801D98000		HOOK DRIVING SHAFT						1	
30		A1807090000A		HOOK DRIVING SHAFT PULLEY						1	
31		A180909600A		ECCENTRIC SHAFT BUSHING						1	
32		SM8050402TP		SCREW						2	
33		A18910960A0		HOOK DRIVING SHAFT THRUST COLLAR ASM.						1	
34		SM8040402TP		SCREW				*		2	
35		A2461D25000		TREAD CUTTER AUXILIARY CAM						1	
36		SM8040402TP		SCREW						2	
37		A24020900A0B		THREAD CUTTER CAM ASM.						1	
38		SM8050602TP		SCREW				*		2	
39		A1450D250B0		THREAD SUPPORTING PLATE ASM.						1	
40		SM5030655SN		SCREW				*		2	
41		PH0200062C0		PIN B				*		1	
42		A1450D250A0		THREAD SUPPORTING PLATE ASM.				*		1	
43		A1450096000		THREAD SUPPORTING PLATE				*		1	
44		A14310960A0		THREAD LEVER SUPPORTING PLATE ASM.				*		1	

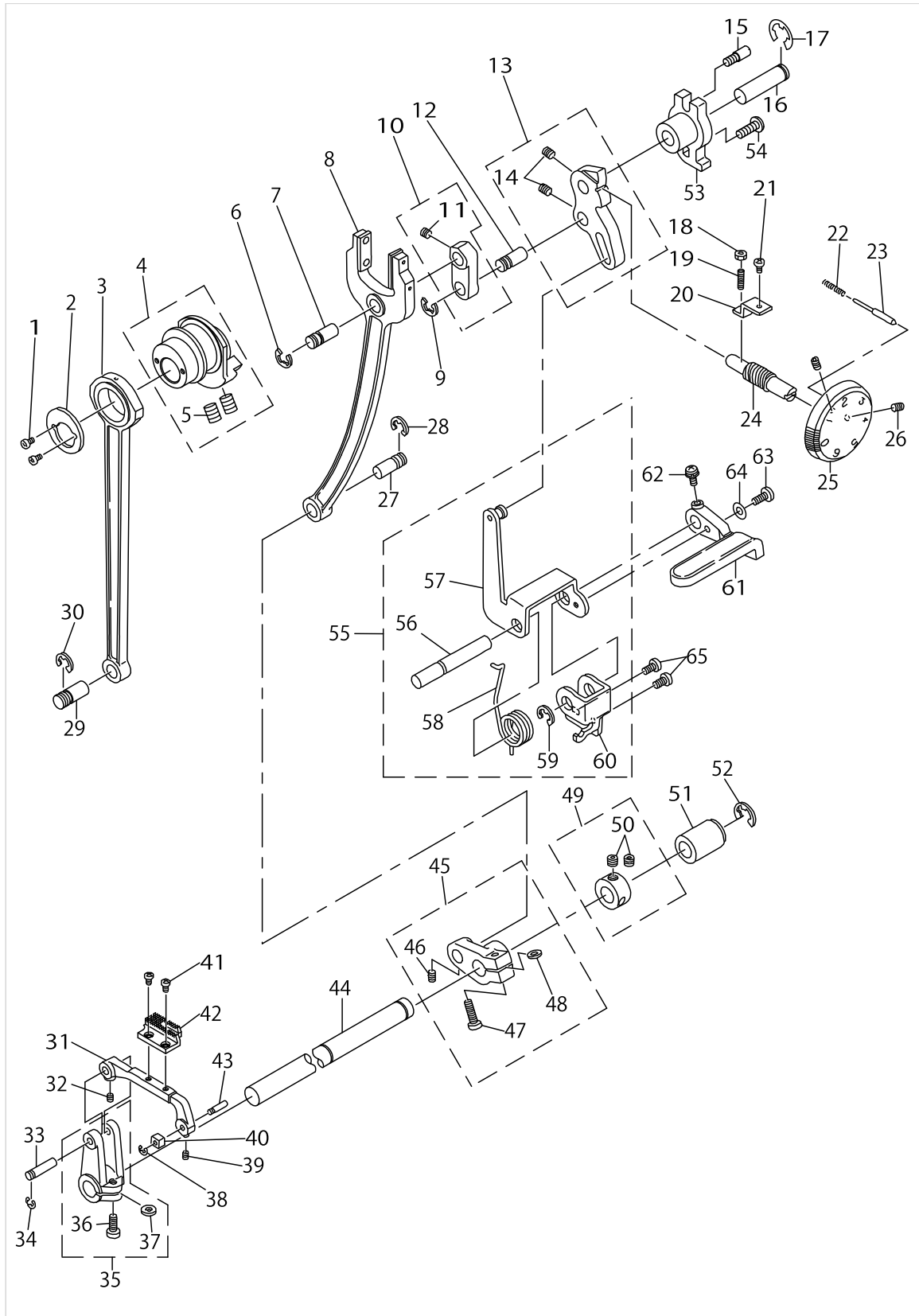
NEEDLE BAR, HOOK DRIVING SHAFT AND THREADER COMPONENTS



NEEDLE BAR, HOOK DRIVING SHAFT AND THREADER COMPONENTS

No.	Supply Code	Parts No.	Replacement	Parts name	Remarks	Choice	Step	Level	Cons	Qty	Rep. QTY
45		A1453096000		SLIDE PLATE				*		1	
46		RE0250000K0		E-RING				*		2	
47		A1433096000		SPRING				*		1	
48		A1452096000		THREAD GUIDE				*		1	
49		SM5030355SN		SCREW				*		1	
50		A1419D25000A		NEEDLE BAR THREAD GUIDE				*		1	
51		SM5030355SN		SCREW				*		1	
52		A1432096000A		THREAD BAR				*		1	
53		A1426096000		THREAD OPERATING CYLINDER A				*		1	
54		A143209600A		PIN A				*		1	
55		A1434096000		SPRING				*		1	
56		A143209600C		PIN C				*		1	
57		A1451096000		THREADER BAR SUPPORT				*		1	
58		A142609600B		THREADER OPERATING CYLINDER B				*		1	
59	D	SM1860601SC		SCREW				*		2	
60		A1430096000A		THREAD LEVER				*		1	
61		A1805D980A0		HOOK DRIVING SHAFT GEAR ASM.						1	
62		SM8050402TP		SCREW				*		2	
63		A1440D250A0A		THREADER HOOK HOLDER ASM.						1	
64		SL5040631SE		SCREW						1	
65		SM4040655SN		SCREW						1	
66		WP0850616SP		WASHER A						1	
67		WP0700616SP		WASHER B						1	
68		A1804007000		HOOK DRIVING SH-AFT REAR BUSHING						1	
69		SM8050602TP		SCREW						1	
70		A1809D98000		PULLY ECCENTRIC SHAFT						1	
71		A14130960A0		NEEDLE ROD GUIDE ASM.						1	
72		SM8030402TP		SCREW				*		1	

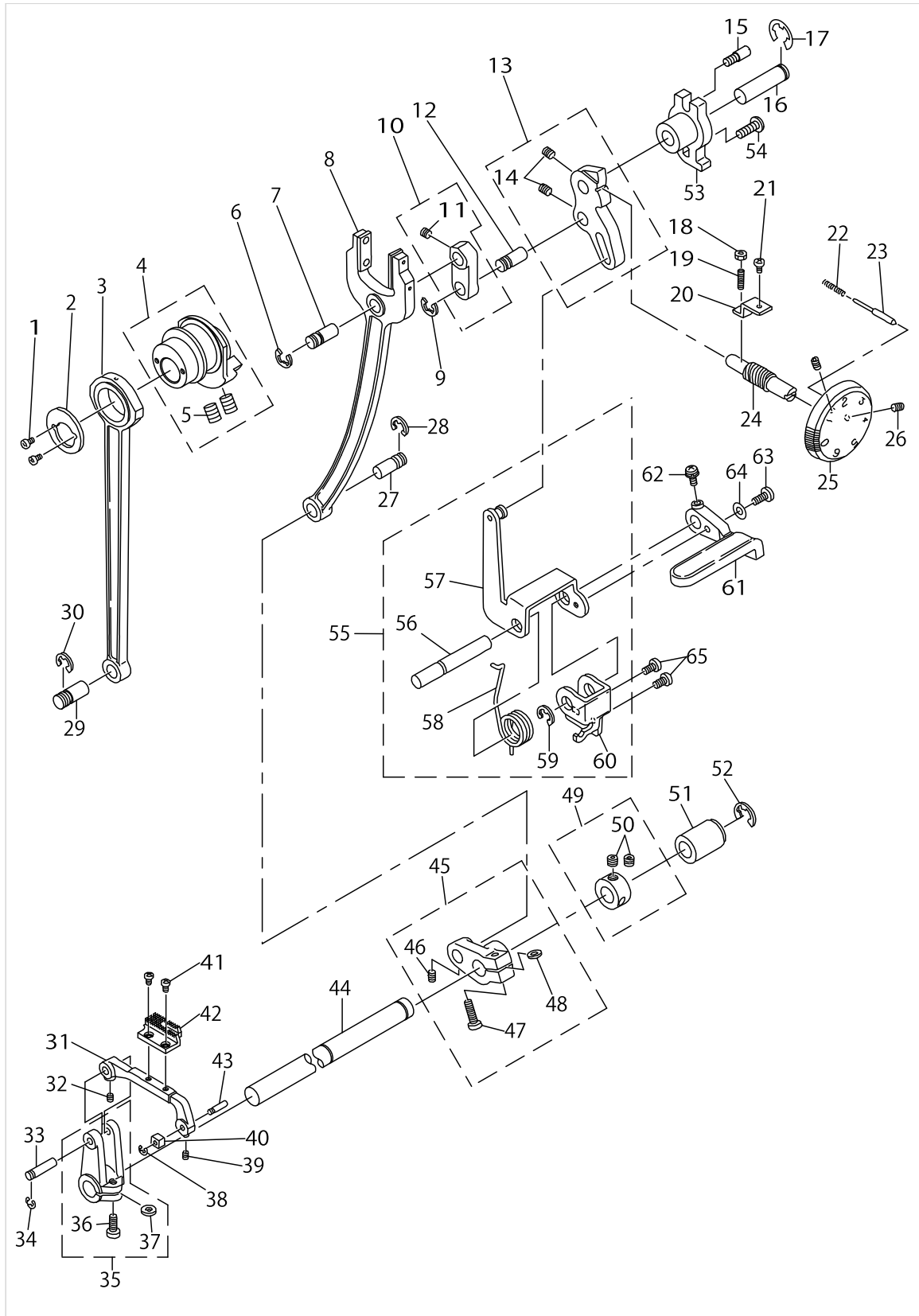
FEED MECHANISM COMPONENTS



FEED MECHANISM COMPONENTS

No.	Supply Code	Parts No.	Replacement	Parts name	Remarks	Choice	Step	Level	Cons	Qty	Rep. QTY
1		SM4860655SN		SCREW							2
2		A1208090000		FEED CAM THRUST PLATE							1
3		A1701090000		FEED ROD							1
4		A12070900A0		FEED CAM ASM.							1
5		SM8060802TP		SCREW				*			2
6		RE0600000K0		E-RING							3
7		A1618090000		CONNECTING SHAFT							1
8		A16140900A0		FORKED ROD ASM.							1
9		RE0600000K0		E-RING							1
10		A16190900A0		FORKED LINK ASM.							1
11		SM8050602TP		SCREW				*			1
12		A1618090000		FORKED ROD SHAFT							1
13		A16220900A0		FEED REGULATOR ASM.							1
14		SM8050602TP		SCREW				*			2
15		A1627090000A		ROTATION STOPPER							1
16		A1625090000A		FEED REGULATOR SHAFT							1
17		RE0600000K0		E-RING							1
18		NM6030002SF		NUT							1
19		SM8031400TP		SCREW							1
20		A1653090000		STOPPER							1
21		SM5030655SN		SCREW							1
22		A1148D25000		SPRING							1
23		A1147090000		PIN							1
24		A1652090000		SCREW							1
25		A16470960A0A		FEED DIAL ASM.							1
26		SM8030402TP		SCREW							2
27		A1618090000		FORKED ROD CON- NECTING SHAFT							1
28		RE0600000K0		E-RING							1
29		A1618090000		CONNECTING SHAFT							1
30		RE0600000K0		E-RING							1
31		A1602090000		FEED BASE							1
32		SM8030502TP		SCREW							1
33		A1603090000		FEED BASE SHAFT							1
34		RE0300000K0		E-RING							1
35		A16050900A0		FEED SHAFT ARM ASM.							1
36		SM4041055SP		SCREW				*			1
37		WP0430801SD		WASHER				*			1
38		RE0200000K0		E-RING							1
39		SM8030502TP		SCREW							1
40		A1710090000		FEED BASE SQUARE BLOCK							1
41		A1606090000		SCREW							2
42		A1635090000		FEED DOG A							1
43		A1711090000		SQUARE BLOCK SHAFT							1
44		A1601096000		FEED ROD SHAFT							1
45		A16120900A0		FEED ROD ARM ASM.							1
46		SM8040602TP		SCREW				*			1

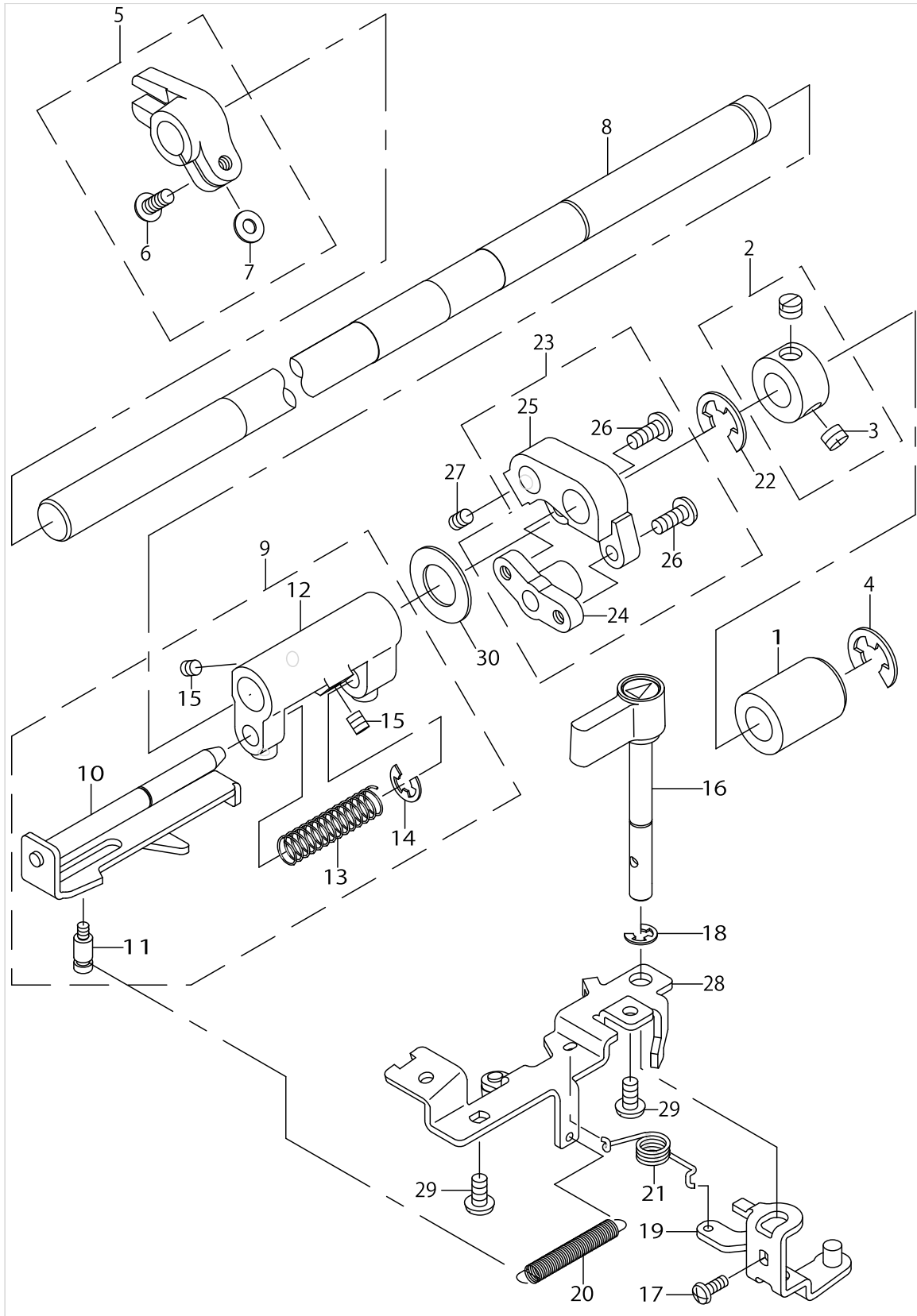
FEED MECHANISM COMPONENTS



FEED MECHANISM COMPONENTS

No.	Supply Code	Parts No.	Replacement	Parts name	Remarks	Choice	Step	Level	Cons	Qty	Rep. QTY
47		SM5041455SP		SCREW				*		1	
48		WP0430801SD		WASHER				*		1	
49		A12030080A0		THRUST COLLAR ASM.						1	
50		SM8060502TP		SCREW				*		2	
51		A1604090000		REAR BUSHING						1	
52		RE0800000K0		E-RING						1	
53		A1626090000A		FEED REGULATOR SHAFT BUSHING						1	
54		SM5041255SN		SCREW						1	
55		A16200900B0		FEED REGULATOR LEVER ARM(PARTIAL ASM.)						1	
56		A1621090000		FEED REGULATOR LEVER SHAFT				*		1	
57		A16200900A0		FEED REGULATOR LEVER ARM ASM.				*		1	
58		A1683090000		SPRING				*		1	
59		RE0600000K0		E-RING				*		1	
60		A1623090000		INSTALLING PLATE				*		1	
61		A1628090000A		FEED REGULATOR LEVER						1	
62		SL5030831SF		SCREW						1	
63		SM5041055SN		SCREW						1	
64		WP0430801SC		WASHER						1	
65		SM5040855SN		SCREW						2	

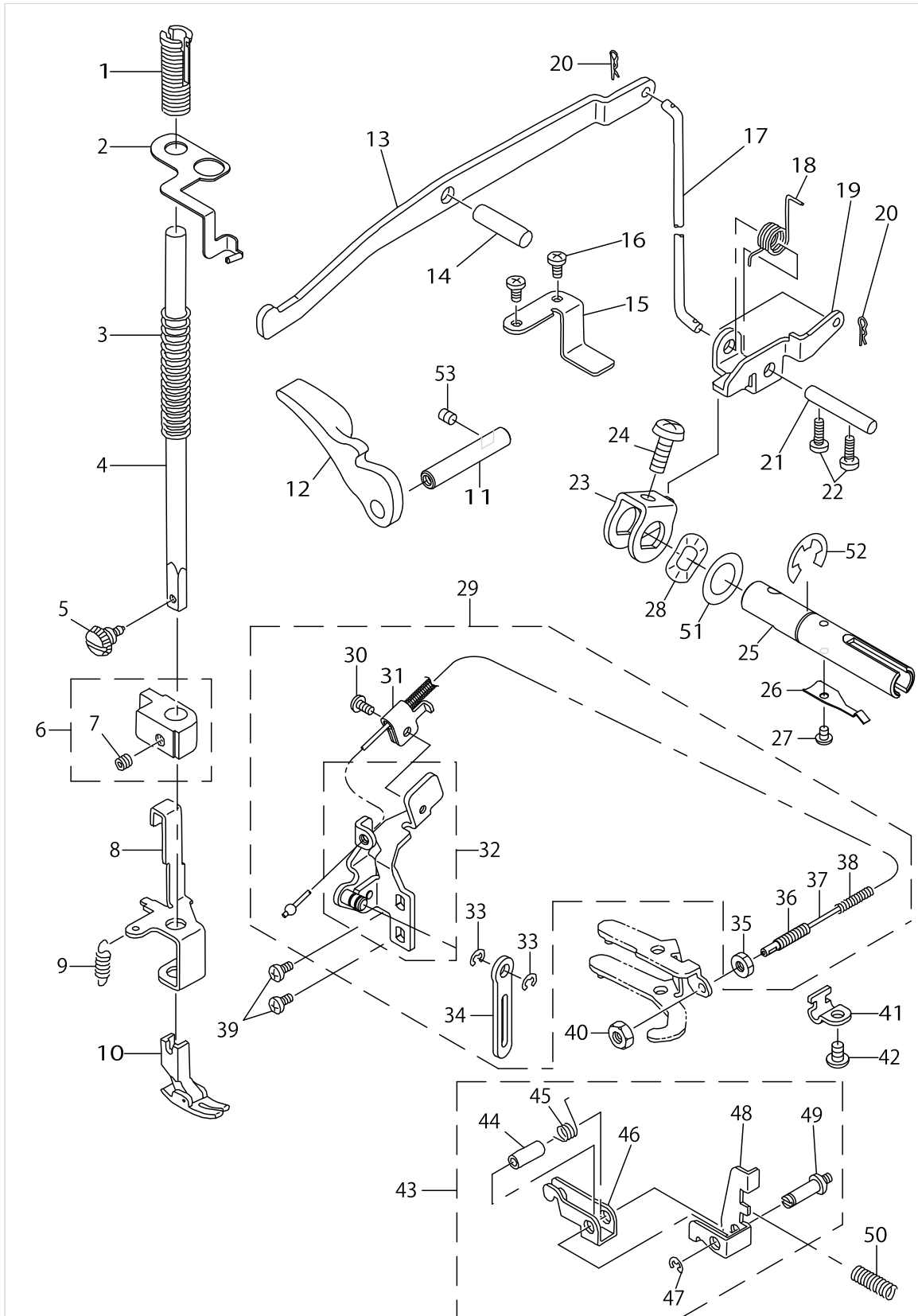
DROP FEED KNOB COMPONENTS



DROP FEED KNOB COMPONENTS

No.	Supply Code	Parts No.	Replacement	Parts name	Remarks	Choice	Step	Level	Cons	Qty	Rep. QTY
1		A1604090000		VERTICAL FEED SH- AFT REAR METAL						1	
2		A12030080A0		THRUST COLLAR ASM.						1	
3		SM8060502TP		SCREW				*		2	
4		RE0800000K0		E-RING						1	
5		A17040900A0		VERTICAL FEED SHAFT ARM ASM.						1	
6		SM4041055SP		SCREW				*		1	
7		WP0430801SD		WASHER				*		1	
8		A1601096000		VERTICAL FEED SHAFT						1	
9		A16650960B0A		DROP FEED CHANG- E SHAFT PLATE MAS. ASM.						1	
10		A16650960A0A		DROP FEED CHANG- E SHAFT PLATE ASM.				*		1	
11		A1663096000		GUIDE PIN A				*		1	
12		A1662096000		GUIDE				*		1	
13		A1667096000		SPRING				*		1	
14		RE0500000K0		E-RING				*		1	
15		SM8040402TP		SCREW				*		2	
16		A1674D250A0		DROP FEED KNOB ASM.						1	
17		SM5030855SN		SCREW						1	
18		RE0400000K0		E-RING						1	
19		A16710960A0A		DROP FEED ADJUS- TING ARM ASM.						1	
20		A1668096000		GUIDE SPRING						1	
21		A1673096000		SPRING						1	
22		RE0800000K0		E-RING						1	
23		A17020960A0		VERTICAL FEED ARM ASM.						1	
24		A1661096000		DROP FEED CONNE- CTING SHAFT SUPPORT				*		1	
25		A1702096000		VERTICAL FEED ARM				*		1	
26		SM5041055SN		SCREW				*		2	
27		SM8040602TP		SCREW						1	
28		A24460960A0		WIRE INSTALLING PLATE ASM.						1	
29		SM5040855SN		SCREW						2	
30		WP1000316RZ		WASHER						1	

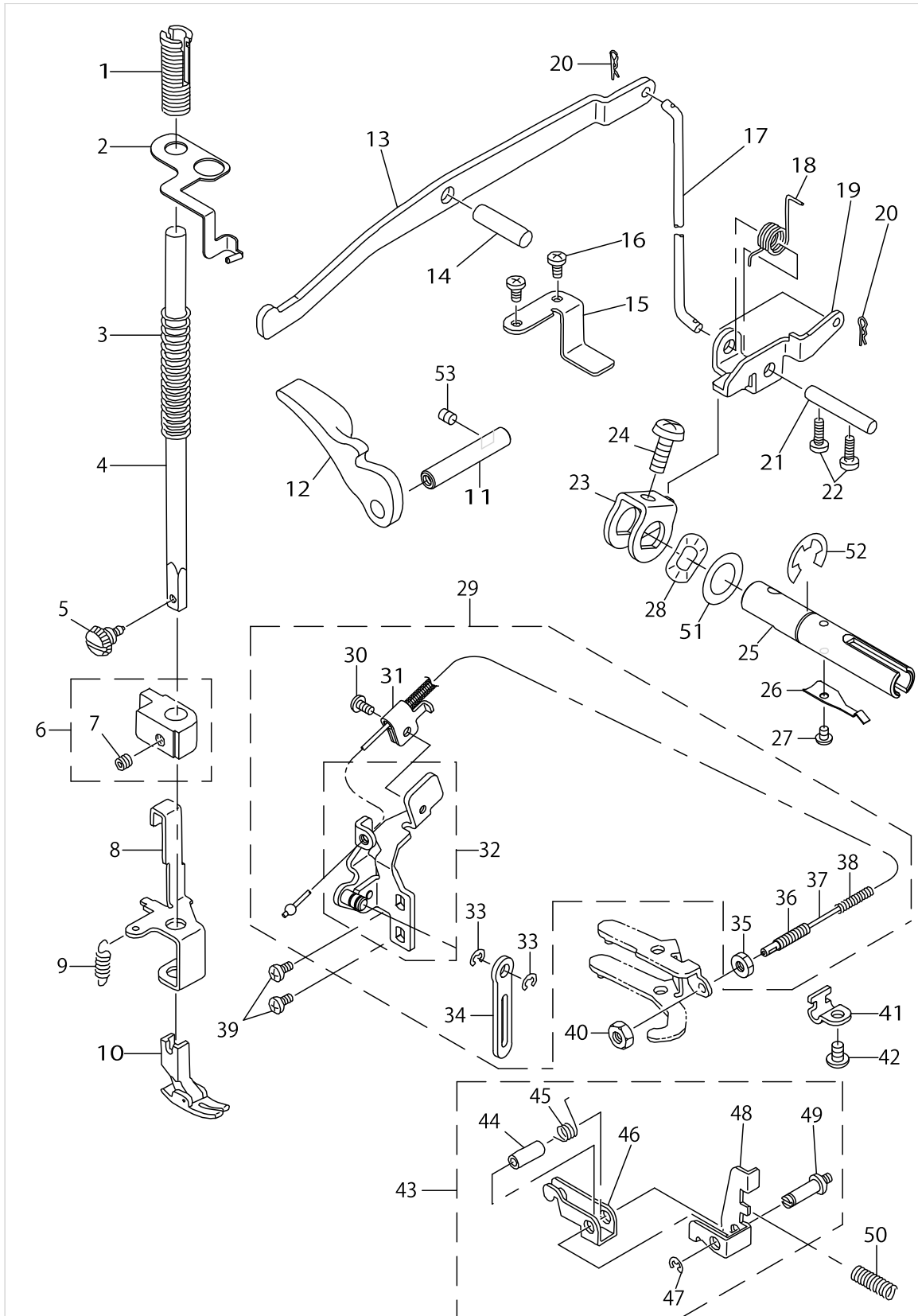
PRESSER, KNEE LIFTER, WIRE HOLDER AND THREAD RELEASE COMPONENTS



PRESSER, KNEE LIFTER, WIRE HOLDER AND THREAD RELEASE COMPONENTS

No.	Supply Code	Parts No.	Replacement	Parts name	Remarks	Choice	Step	Level	Cons	Qty	Rep. QTY
1		A1509090000		PRESSER REGULATING SCREW						1	
2		A1503D250A0		PRESSURE INDICATOR ASM.						1	
3		A1505D25000		PRESSER SPRING						1	
4		A1501090000		PRESSER BAR						1	
5		A1132025000		SCREW						1	
6		A15070960A0		PRESSER BAR CONNECTION ASM.						1	
7		SM8060502TP		SCREW				*		1	
8		A1508090000		PRESSER LEVER						1	
9		A1515090000		SPRING						1	
10	R	B15240120A0	B15240120BA	STANDARD PRESSER FOOT ASM.		A	ISM			1	1.00
10	R	B15240120A0	A9836D250A0	STANDARD PRESSER FOOT ASM.		B	HSM			1	1.00
11		A1513X28000		LIFTING LEVER SHAFT						1	
12		A1512X28000		LIFTING LEVER						1	
13		A3406090000		KNEE LIFTER LEVER						1	
14		A3407090000		KNEE LIFTER LEVER SHAFT						1	
15		A3408090000		STOPPING PLATE						1	
16		SM5040855SN		SCREW						2	
17		A3413090000		KNEE LIFTER LINK						1	
18		A3411090000		SPRING						1	
19		A3412X28000		PLATE						1	
20		A341309000A		SNAP PIN						2	
21		A3410090000		CLAW LEVER SHAFT						1	
22		SM5041255SN		SCREW						2	
23		40065584		CLAW LEVER ACTUATING PLATE						1	
24		SM5051255SN		SCREW						1	
25	R	A3420X28000	40180163	KNEE LIFTER LEVER SHAFT						1	1.00
26	R	A3421X28000	40180163	SPRING						1	1.00
27		SM5030455SF		SCREW						1	
28		A3106202000		WASHER						1	
29		A2440D250C0		WIRE HOLDER MAS. ASM.						1	
30		SM5030655SN		SCREW				*		1	
31		A2449090000		WIRE TUBE HOLDER B				*		1	
32		A2440D250A0		WIRE HOLDER (PARTIAL ASM.)				*		1	
33		RE0300000K0		E-RING				*		2	
34		A2444090000		CONNECTING LINK				*		1	
35		NS6620310SP		NUT				*		1	
36		D3159555B00		WIRE SET SCREW				*		1	
37		A2447090000		WIRE CABLE				*		1	
38		A2448090000		WIRE TUBE				*		1	
39		SM5040855SN		SCREW						2	
40		NS6620310SP		NUT						1	
41		A2441096000		WIRE TUBE HOLDER						1	
42		SM4040655SN		SCREW						1	
43		A15170900A0		THREAD RELEASE PLATE ASM.						1	
44		A151709000C		BUSHING				*		1	
45		A151709000D		SPRING				*		1	

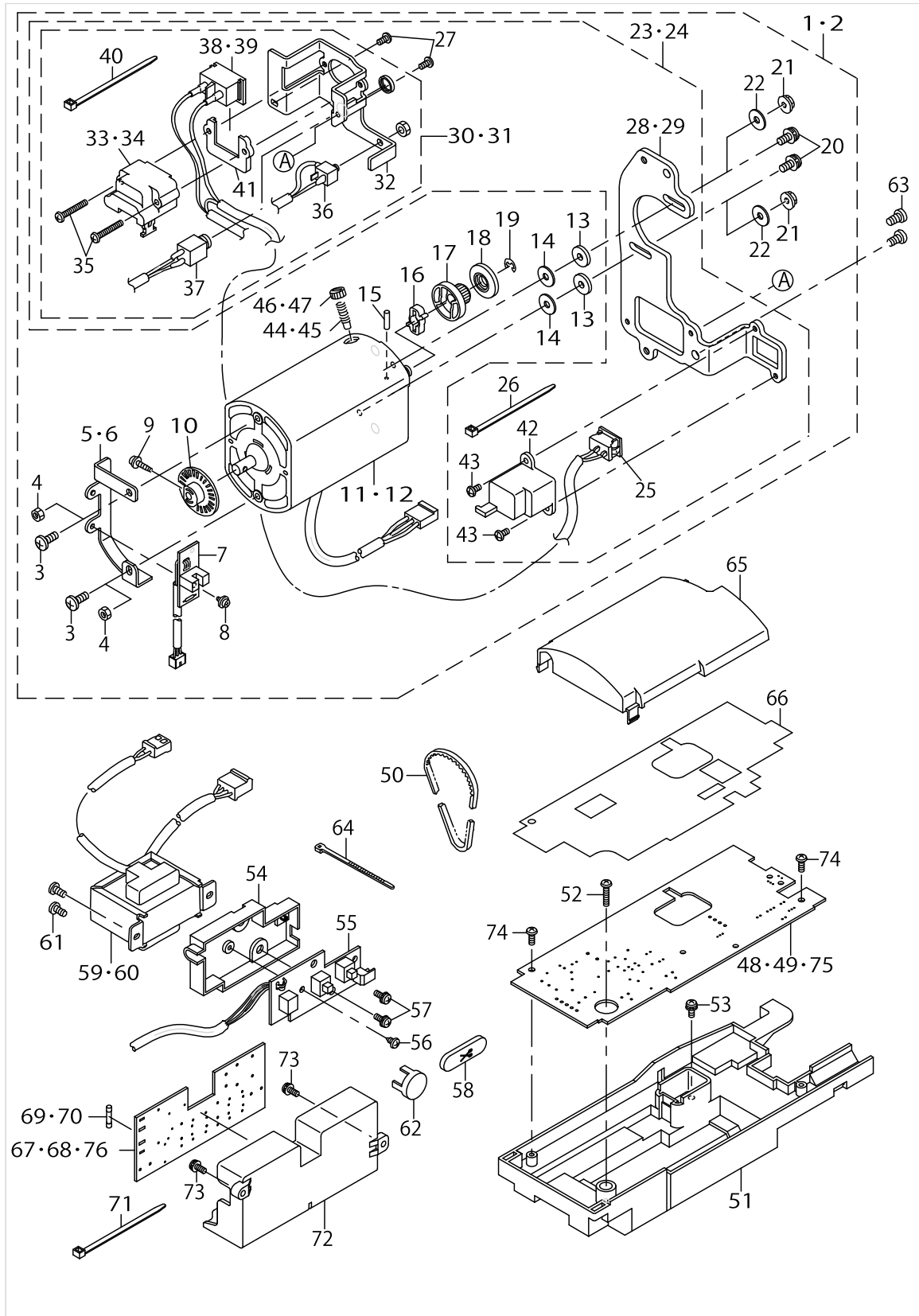
PRESSER, KNEE LIFTER, WIRE HOLDER AND THREAD RELEASE COMPONENTS



PRESSER, KNEE LIFTER, WIRE HOLDER AND THREAD RELEASE COMPONENTS

No.	Supply Code	Parts No.	Replacement	Parts name	Remarks	Choice	Step	Level	Cons	Qty	Rep. QTY
46		A151709000B		THREAD RELEASE PLATE B				*		1	
47		RE0300000K0		E-RING				*		1	
48		A151709000A		THREAD RELEASE PLATE A				*		1	
49		A1518090000		THREAD RELEASE PLATE SHAFT				*		1	
50		A1519090000		SPRING						1	
51		WP1220516RZ		WASHER 12.2X18X0.5						1	
52		RE0900000K0		E-RING 9						1	
53		SM8040412TP		SET SCREW M4 L=4						1	

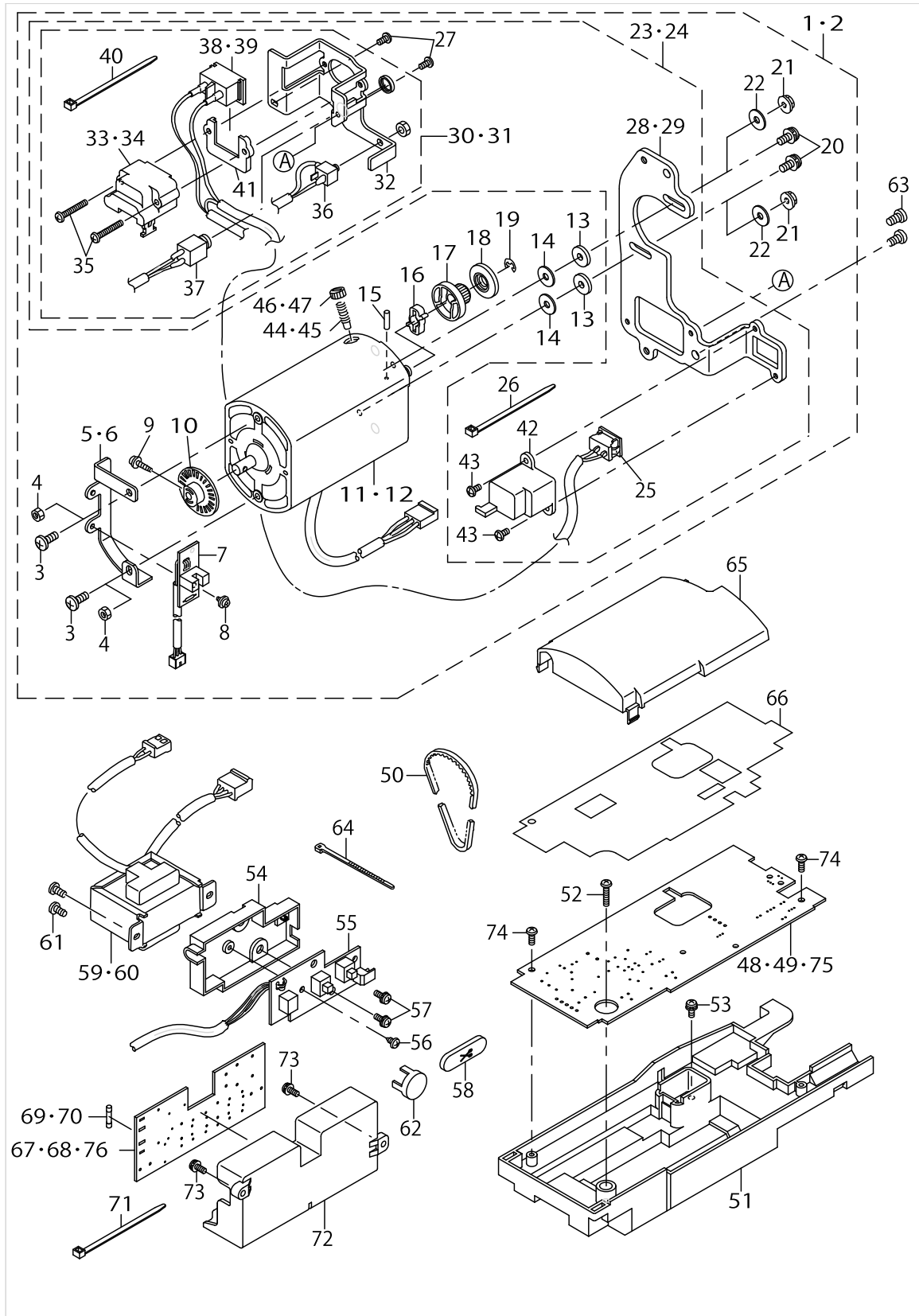
MOTOR AND MAIN CIRCUIT BOARD COMPONENTS



MOTOR AND MAIN CIRCUIT BOARD COMPONENTS

No.	Supply Code	Parts No.	Replacement	Parts name	Remarks	Choice	Step	Level	Cons	Qty	Rep. QTY
1	R	A710098PXC0A	40136162	MOTOR C ASM.	FOR CE,A- US,BS,CHN,KOR					1	1.00
2		A7100Q98ZC0A		MOTOR C ASM.	FOR UL					1	
3		ST5041051SC		SCREW	FOR CE,A- US,BS,CHN,KOR			*		2	
4		NM6040001SC		NUT	FOR UL			*		2	
5		A712098PX00		MOTOR BOARD INSTALLING BASE	FOR CE,A- US,BS,CHN,KOR			*		1	
6		A7120096000		MOTOR BOARD INSTALLING BASE	FOR UL			*		1	
7		A7122D250A0A		MP DETECTION BOARD ASM.				*		1	
8		SL5030531SF		SCREW				*		1	
9		SL5031251SP		SCREW				*		1	
10		A71210960A0		MP DETECTION BOARD SHUT PLATE ASM.				*		1	
11		A710098PXA0A		MOTOR A ASM.	FOR CE,A- US,BS,CHN,KOR			*		1	
12		A7100Q98ZA0A		MOTOR A ASM.	FOR UL			*		1	
13		060702001000		SPACER	FOR UL			*		1	
14		WP0451016SC		WASHERS	FOR UL			*		1	
15		PS0200142KP		MOTOR SHAFT PULLEY PIN				*		1	
16		A710000900C		MOTOR RUBBER CUSHION				*		1	
17		A7100D9800A		MOTOR SHAFT PULLEY				*		1	
18		A7100D9800B		PULLEY FLANGE				*		1	
19	R	RE0400000KR	RE0400000K0	E-RING				*		1	1.00
20		SL5041031SF		SCREW	FOR CE,A- US,BS,CHN,KOR			*		2	
21		NM3040550SC		NUT	FOR UL			*		2	
22		A7113D25000		WASHER	FOR UL			*		1	
23		A710198PXA0B		MOTOR BRACKET ASM.	FOR CE,A- US,BS,CHN,KOR			*		1	
24		A7101Q98ZA0B		MOTOR BRACKET ASM.	FOR UL			*		1	
25		A403201SZ00		POWER SWITCH				*		1	
26		A407855000B		CLIP BAND	FOR UL			*		1	
27		SM5030655SN		SCREW				*		2	
28		A710198PX00		MOTOR BRACKET	FOR CE,A- US,BS,CHN,KOR			*		1	
29		A7101090000		MOTOR BRACKET	FOR UL			*		1	
30		A450198PXA0A		INLET INSTALLING PLATE ASM.	FOR CE,A- US,BS,CHN,KOR			*		1	
31		A4501Q98ZA0A		INLET INSTALLING PLATE ASM.	FOR UL			*		2	
32		A4501E98Z00		INLET INSTALLING PLATE				*		1	
33		A4503D25000		INLET COVER	FOR CE,A- US,BS,CHN,KOR			*		1	
34		A4503E98Z00		INLET COVER	FOR UL			*		1	
35		SM5032051SE		SCREW				*		2	
36		A7300E98ZA0B		EXTERNAL THREAD TRIMMING SOCKET ASM.				*		1	
37		A4015E98ZA0A		CONTROLLER SOCKET ASM.				*		1	
38		A410098PXA0A		POWER CORD INLET ASM.	FOR CE,A- US,BS,CHN,KOR			*		1	
39		A4100Q98ZA0A		POWER CORD INLET ASM.	FOR UL			*		1	
40		A407855000B		CLIP BAND				*		1	
41		A4502D25000		INLET COVER LID	FOR CE,A- US,BS,CHN,KOR			*		1	

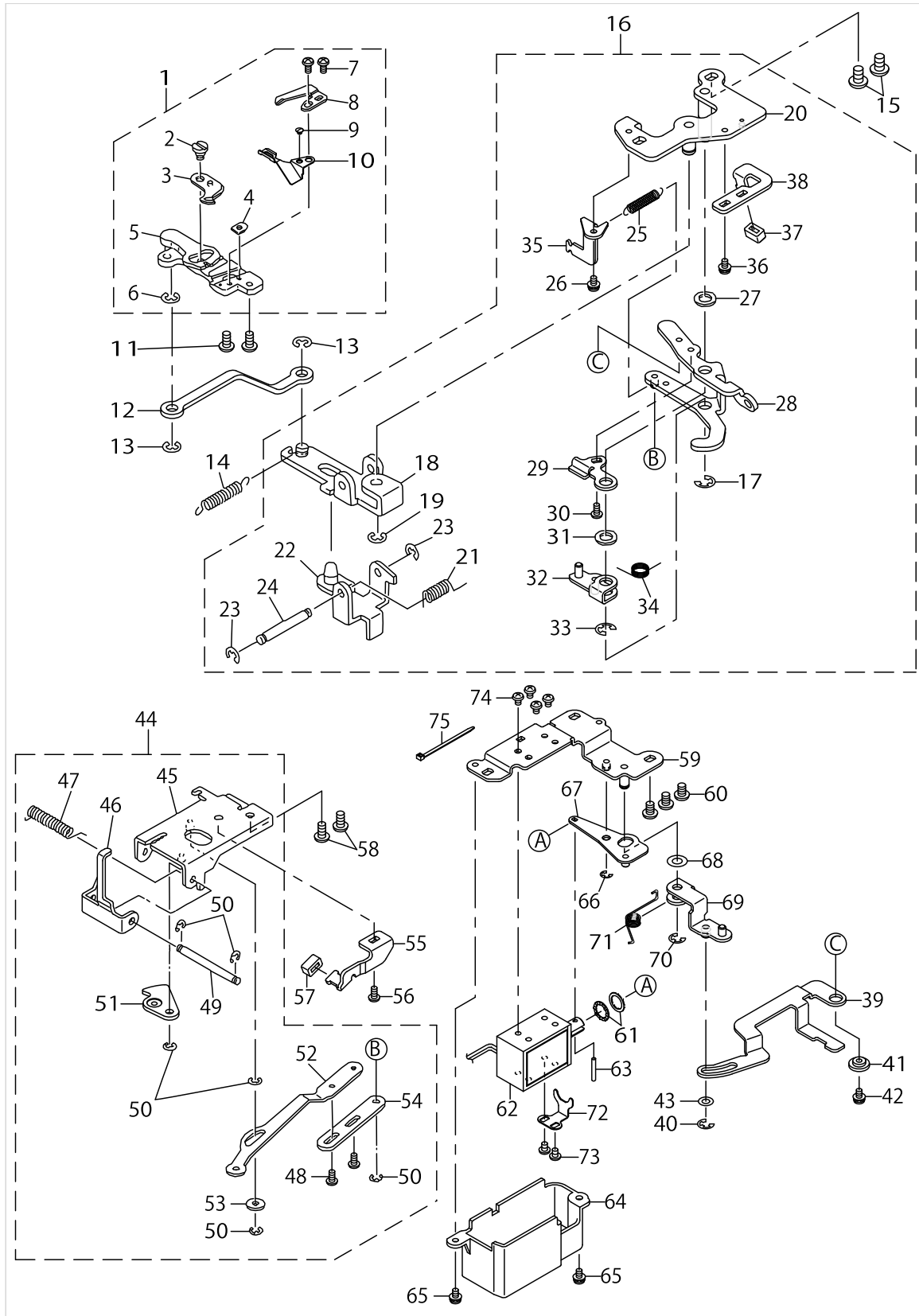
MOTOR AND MAIN CIRCUIT BOARD COMPONENTS



MOTOR AND MAIN CIRCUIT BOARD COMPONENTS

No.	Supply Code	Parts No.	Replacement	Parts name	Remarks	Choice	Step	Level	Cons	Qty	Rep. QTY
42		A4504Q98Z00		COVER	FOR CE,A- US,BS,CHN,KOR			*		1	
43		SM5030655SN		SCREW	FOR CE,A- US,BS,CHN,KOR			*		2	
44		A710098PX0D		CARBON BRUSH	FOR CE,A- US,BS,CHN,KOR			*		2	
45		A710009000D		CARBON BRUSH	FOR UL			*		2	
46	R	A710098PX0E	A710098PXA0A	BRUSH CAP	FOR CE,A- US,BS,CHN,KOR			*		2	1.00
47		A710009000E		BRUSH CAP	FOR UL			*		2	
48		A4040Q98ZA0B		MAIN BOARD ASM.	FOR UL					1	
49	R	A404098PXA0B	40119818	MAIN BOARD ASM.	FOR CE,A- US,BS,KOR					1	1.00
50		A7112090000		MOTOR TIMING BELT						1	
51		A4043D25000A		POWER BOARD COVER						1	
52		SM5031401SE		SCREW B						1	
53		SL5030831SF		SCREW A						1	
54		A3225096000		THREAD TRIMMER SWITCHBOARD CASE						1	
55	D	A3227D250B0A		THREAD TRIMMER SWITCH BOARD ASM.						1	
56		ST5030551SR		SCREW						1	
57		SL5030831SF		SCREW						2	
58		A3228D25000		THREAD TRIMMER SWITCH BUTTON						1	
59		40064413		POWER TRANSFORMER ASM.	FOR CE,A- US,BS,CHN,KOR					1	
60		A4505Q98ZA0A		POWER TRANSFORMER ASM.	FOR UL					1	
61		SM5040855SN		SCREW						2	
62		A4011096000A		HALF STITCH SWITCH BUTTON						1	
63		SM5050855SN		SCREW						2	
64		A407855000B		MAIN BOARD CLIP BAND						4	
65		A4042D25000		CASE COVER						1	
66		A4044D25000A		MAIN BOARD INSULATION SEAT						1	
67		A403598PXA0A		FILTER BOARD ASM.	FOR CE,A- US,BS,KOR					1	
68		A4035Q98ZA0A		FILTER BOARD ASM.	FOR UL					1	
69		HF0030031P0		FUSE	FOR CE,A- US,BS,CHN,KOR					1	
70		HF0059050P0		FUSE	FOR UL					1	
71		A407855000B		FILTER BOARD CLIP BAND						1	
72		A4016D25000		FILTER BOARD COVER						1	
73		SL5030851SN		SCREW						1	
74		ST5030851SN		SCREW						2	
75		40080274		MAIN_BOARD_(ASM.)	FOR CHN					1	
76		40080276		FILTER_BOARD_(ASM.)	FOR CHN					1	

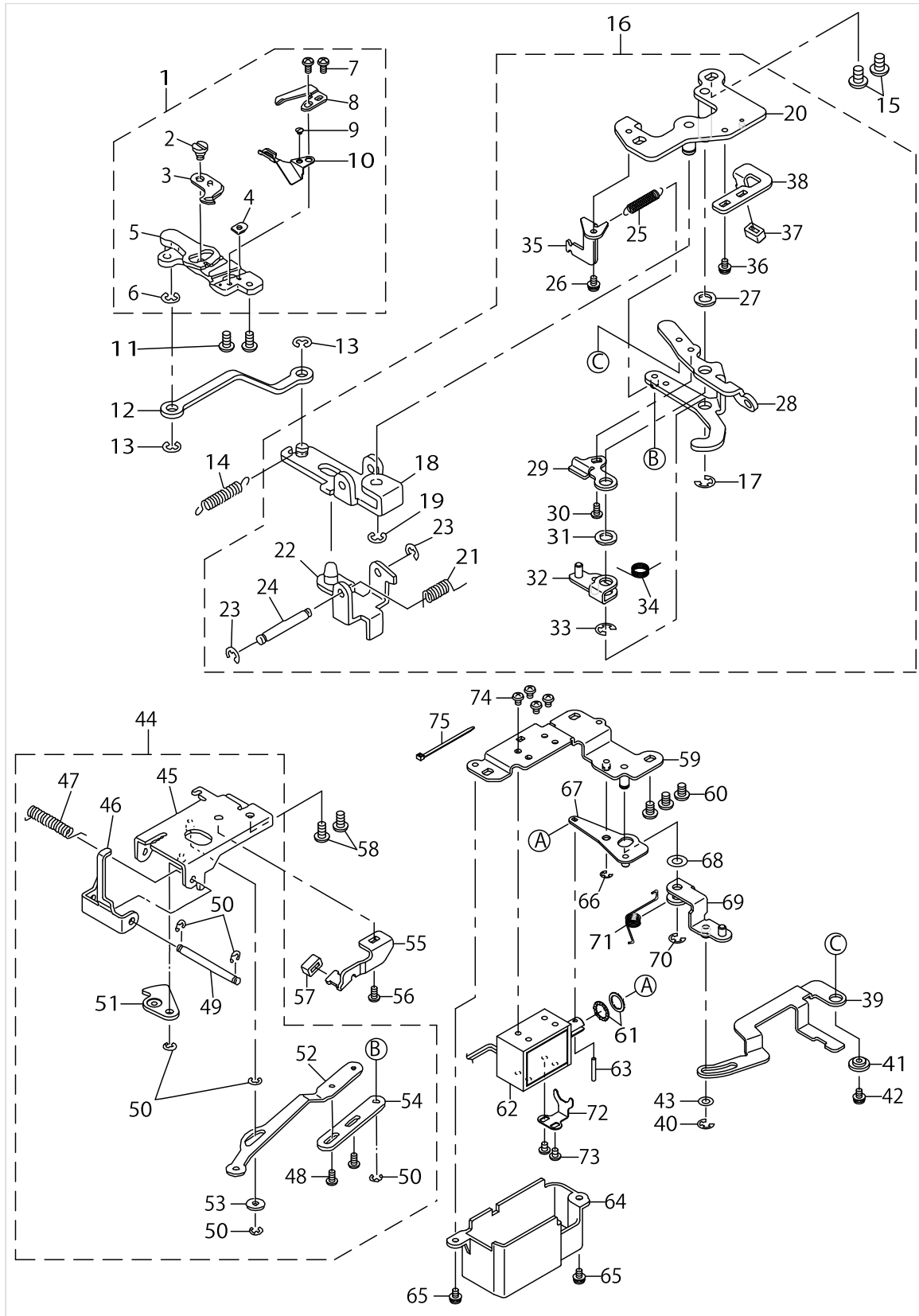
MOVING KNIFE, LOOPER AND THREAD TRIMMER SOLENOID COMPONENTS



MOVING KNIFE, LOOPER AND THREAD TRIMMER SOLENOID COMPONENTS

No.	Supply Code	Parts No.	Replacement	Parts name	Remarks	Choice	Step	Level	Cons	Qty	Rep. QTY
1		A18720900B0B		MOVING KNIFE BASE MAS. ASM.						1	
2	R	A1873090000	A18720900B0B	SCREW				*		1	1.00
3	R	11040003	11040052	MOVING KNIFE		A	工ミ/ISM	*		1	1.00
3	R	11040003	A18720900B0B	MOVING KNIFE		B	家ミ/HSM	*		1	1.00
4		D2404555B00		COUNTER KNIFE M- OUNTING PLATE				*		1	
5		A18720900A0		MOVING KNIFE BASE ASM.				*		1	
6		RE0400000K0		E-RING				*		1	
7		SM5030655SN		SCREW				*		2	
8		D2406555D0H		COUNTER KNIFE				*		1	
9		SS2060210SP		SCREW				*		1	
10	R	A1890090000B	A18720900B0B	KNIFE THREAD GUIDE				*		10	1.00
11		SM4040855SP		SCREW						2	
12		A1882D25000		MOVING KNIFE LINK						1	
13		RE0400000K0		E-RING						2	
14		A1869090000		MOVING KNIFE ARM SPRING						1	
15		SM4050855SP		SCREW						2	
16		A1870D250C0A		MOVING KNIFE INS- TALLING PLATE MAS. ASM.						1	
17		RE0500000K0		E-RING				*		1	
18		A18760900A0		MOVING KNIFE ARM ASM.				*		1	
19		RE0500000K0		E-RING				*		1	
20		A1870D250A0A		MOVING KNIFE INS- TALLING PLATE ASM.				*		1	
21		A1881090000		SPRING				*		1	
22		A18780900A0A		MOVING KNIFE ROLLER ARM ASM.				*		1	
23		RE0400000K0		E-RING				*		2	
24		A1880090000		ROLLER ARM SHAFT				*		1	
25		A3130700000		SPRING				*		1	
26		SL5030631SS		SCREW				*		1	
27		A172809000A		WASHER				*		1	
28		A1727D250A0A		LOOPER LINK ARM ASM.				*		1	
29		A1726D25000A		LINK ARM FIXING PLATE				*		1	
30		SM5030631SF		SCREW				*		1	
31		A172809000A		WASHER				*		1	
32		A1724D250A0		LINK ARM SUPPORT PLATE ASM.				*		1	
33		RE0500000K0		E-RING				*		1	
34		A1733D25000		SPRING				*		1	
35		A1729D25000		LOOPER LINK ARM SPRING RACK				*		1	
36		SL5030631SF		SCREW				*		1	
37		A1735D25A00		STOPPER RUBBER				*		1	
38		A1735D25000		LOOPER LINK ARM STOPPER PLATE				*		1	
39		A1723D25000		THREAD TRIMMER SOLENOID LINK A						1	
40		RE0400000K0		E-RING						1	
41		A2435033000		COLLAR						1	
42		SL5030655SF		SCREW						1	
43		A31099DC000		WASHER						1	

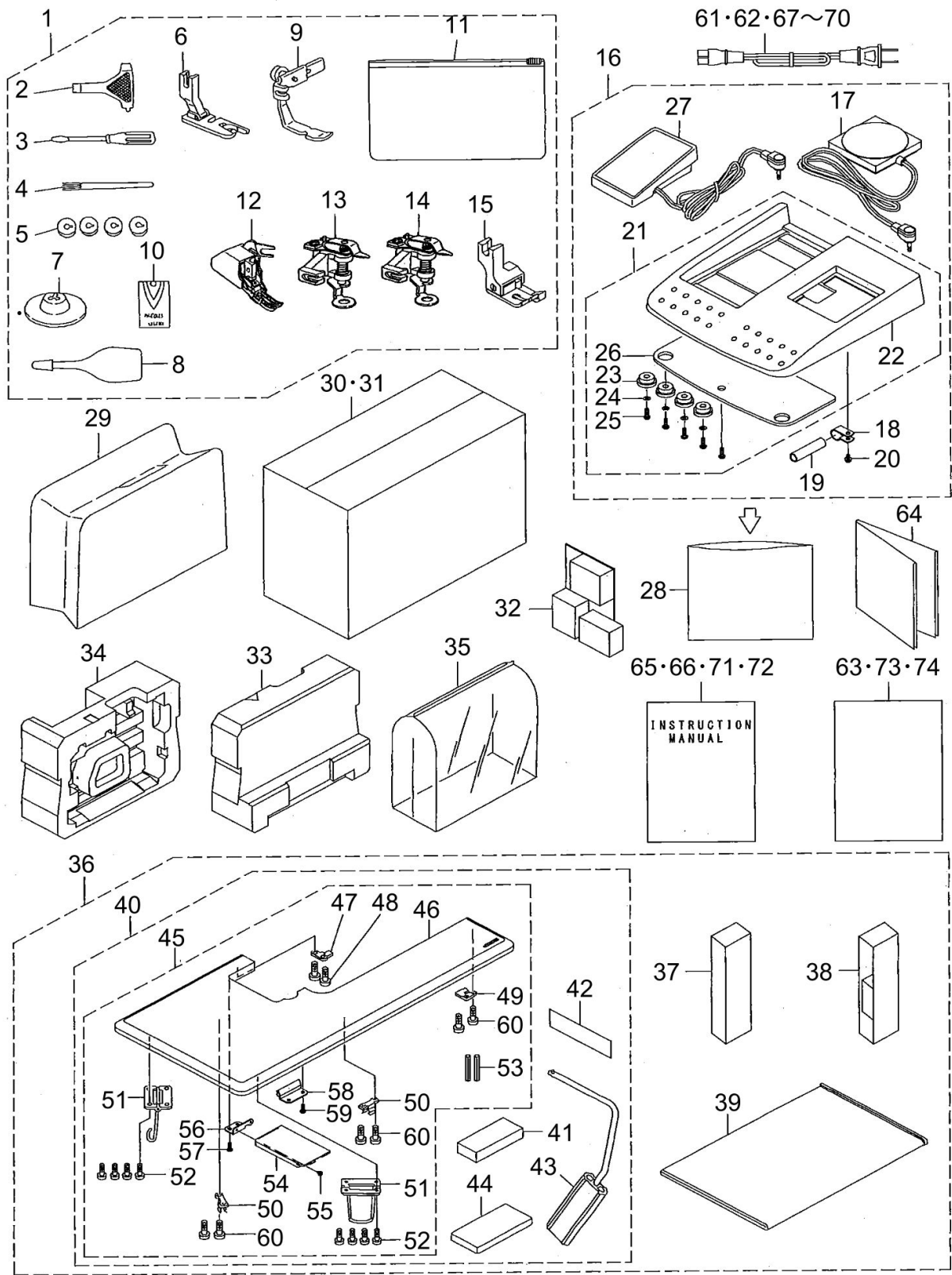
MOVING KNIFE, LOOPER AND THREAD TRIMMER SOLENOID COMPONENTS



MOVING KNIFE, LOOPER AND THREAD TRIMMER SOLENOID COMPONENTS

No.	Supply Code	Parts No.	Replacement	Parts name	Remarks	Choice	Step	Level	Cons	Qty	Rep. QTY
44		A1705D980B0A		LOOPER MAS. ASM.						1	
45		A17060900A0A		LOOPER INSTALLING ARM ASM.				*		1	
46		A1705D98000		LOOPER				*		1	
47		A1708090000		LOOPER SPRING				*		1	
48		SM5030655SN		SCREW				*		2	
49		A1707090000		LOOPER SHAFT				*		1	
50		RE0300000K0		E-RING				*		6	
51		A17120900A0		LOOPER CAM ASM.				*		1	
52		A173009000A		LOOPER LINK A				*		1	
53		WP0450816SC		WASHER				*		1	
54		A173009000B		LOOPER LINK B				*		1	
55		A1732D25000		LOOPER STOPPER PLATE						1	
56		SM5030655SN		SCREW						1	
57		A1735D25A00		STOPPER RUBBER						1	
58		SM5040855SN		SCREW						2	
59		A2310D250A0A		SOLENOID INSTALL- ING BASE ASM.						1	
60		SM50406055SN		SCREW						3	
61		A2470T70000		CUSHION RUBBER						1	
62		A2400D250A0A		THREAD TRIMMER SOLENOID ASM.						1	
63		PS0200142KP		PIN						1	
64		A2401D25000		SOLENOID COVER						1	
65		SL5030655SF		SCREW						2	
66		RE0300000K0		E-RING						1	
67		A2470D250A0		OPERATING LINK						1	
68		WP0530516RZ		WASHER						1	
69		A2464D250A0		AUXILIARY LINK ASM.						1	
70		RE0400000K0		E-RING						1	
71		A2467D25000		SPRING						1	
72		A2469T70000		SOLENOID STOPPER						1	
73		SM5030355SN		SCREW						2	
74		SM5030401SN		SCREW						4	
75		A407855000B		CABLE BAND						1	

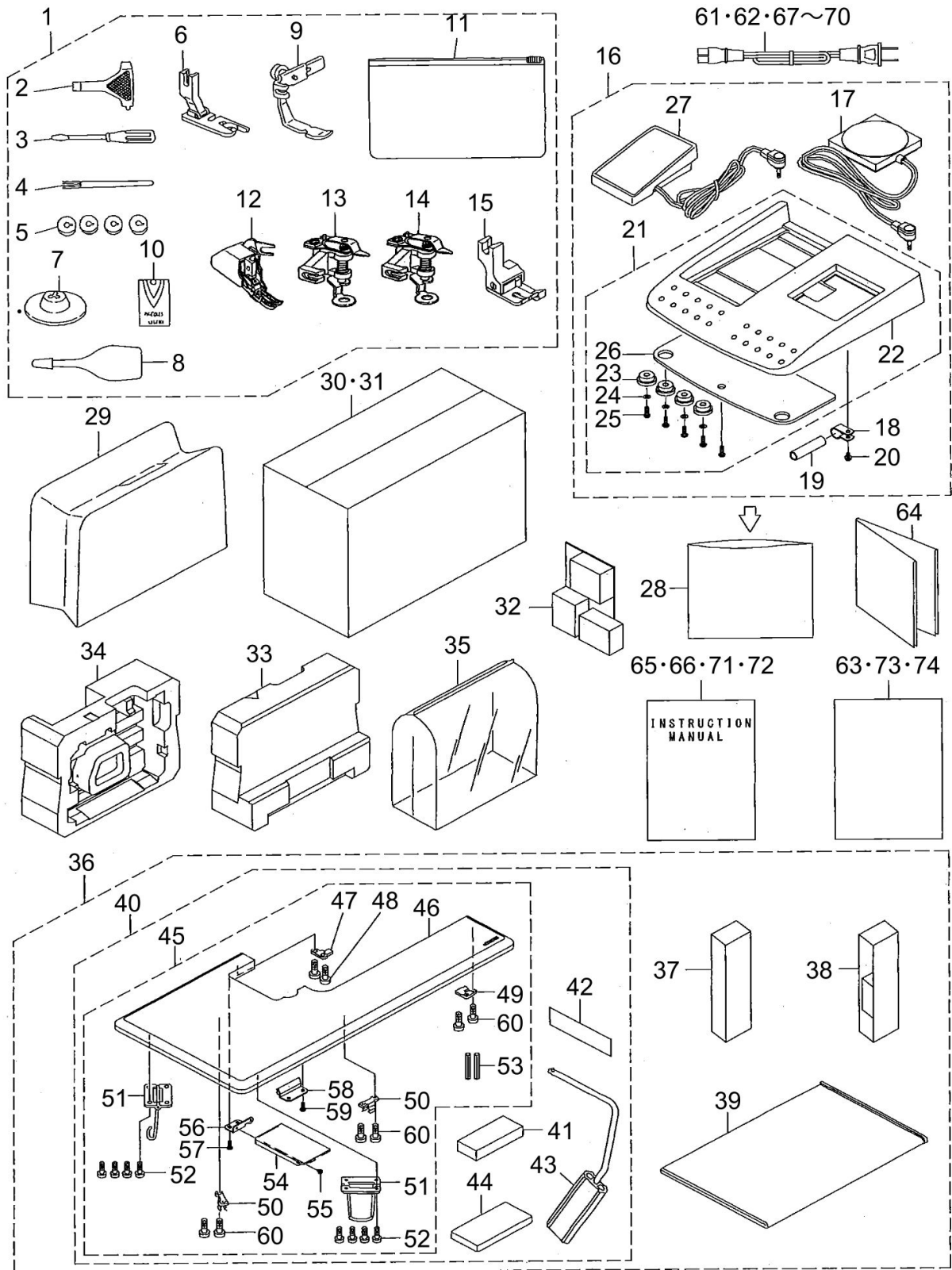
ACCESSORIES AND PACKING COMPONENTS



ACCESSORIES AND PACKING COMPONENTS

No.	Supply Code	Parts No.	Replacement	Parts name	Remarks	Choice	Step	Level	Cons	Qty	Rep. QTY
1		A9121Q98ZA0A		ACCESSORY BAG ASM.						1	
2		A9110700000		SCREWDRIVER				*		1	
3		A9103102000		SCREWDRIVER(MEDIUM)				*		1	
4		A9137956000		CLEANING BRUSH				*		1	
5		A9117007000		BOBBIN				*		4	
6		A9104090000		HEMMER				*		1	
7		A1150090000		SPOOL CAP				*		1	
8		A9102062BA0		OILER				*		1	
9		A9133090000		ZIPPER FOOT				*		1	
10		MHA1M111422		NEEDLE(HA 1#11 #14)				*		1	
11	R	A9121Q98Z00	22932800	ACCESSORY BAG				*		1	1.00
12		A9150E98ZA0A		UPPER FEED ATTACHMENT ASM.				*		1	
13	R	A5133E98AB0A	A5133E98AC0A	1/4 QUILTING FOOT				*		1	1.00
14		A5133E98BB0A		1/5 QUILTING FOOT				*		1	
15		A5140E98ZA0		COMPENSATING FOOT ASM.				*		1	
16		40064858		PEDAL SWITCH CASE MAS. ASM.				*		1	
17		40064510		EXTERNAL THREAD TRIMMER SWITCH				*		1	
18		A8004096000		CORD HOLDER				*		1	
19		A8005096000		CORD PROTECTION TUBE				*		1	
20		SL5030631SF		SCREW				*		1	
21		A80010960A0A		PEDAL SWITCH CASE ASM.				*		1	
22		A8001096000A		PEDAL SWITCH CASE				*		1	
23		A1161008000A		RUBBER SEAT				*		4	
24		WP0430801SC		WASHER				*		4	
25		ST5031051SR		SCREW				*		5	
26		A8002096000		PEDAL SWITCH INS-TALLING PLATE				*		1	
27		40064424		CONTROLLER ASM.				*		1	
28		A8006096000		PEDAL SWITCH CASE ASM. PACKING BAG				*		1	
29		A8401D25000		MAIN BODY CASE				*		1	
30	R	A910198PX0CA	40096731	CARTON CASE(HEAD)	FOR CE			*		1	1.00
31		A9101Q98Z0CA		CARTON CASE(HEAD)	FOR UL			*		1	
32		A9402D250A0		SET PLATE ASM.				*		1	
33	R	A9301D25000	40098221	FRONT STYROFOAM				*		1	1.00
34	R	A9302D25000	40096976	REAR STYROFOAM				*		1	1.00
35		J0231082A0B		HEAD VINIL SHEET				*		1	
36	D	A8501E98ZB0		AUXILIARY TABLE PACKING MAS. ASM.				*		1	
37		A9401D980AA		AUXILIARY TABLE SUPPORT PLATE LEFT ASM.				*		1	
38		A9400D980AAA		AUXILIARY TABLE SUPPORT PLATE RIGHT ASM.				*		1	
39		A9404090000		AUXILIARY TABLE POLYETHYLENE BAG				*		1	
40	D	A8501E98ZB0		AUXILIARY TABLE MAS. ASM.				*		1	
41		A9406D98000		KNEE PAD				*		1	
42		A9405D98000		KNEE PAD FIXING TAPE				*		3	
43	R	A34250900A0A	40180154	KNEE PAD ASM.				*		1	1.00

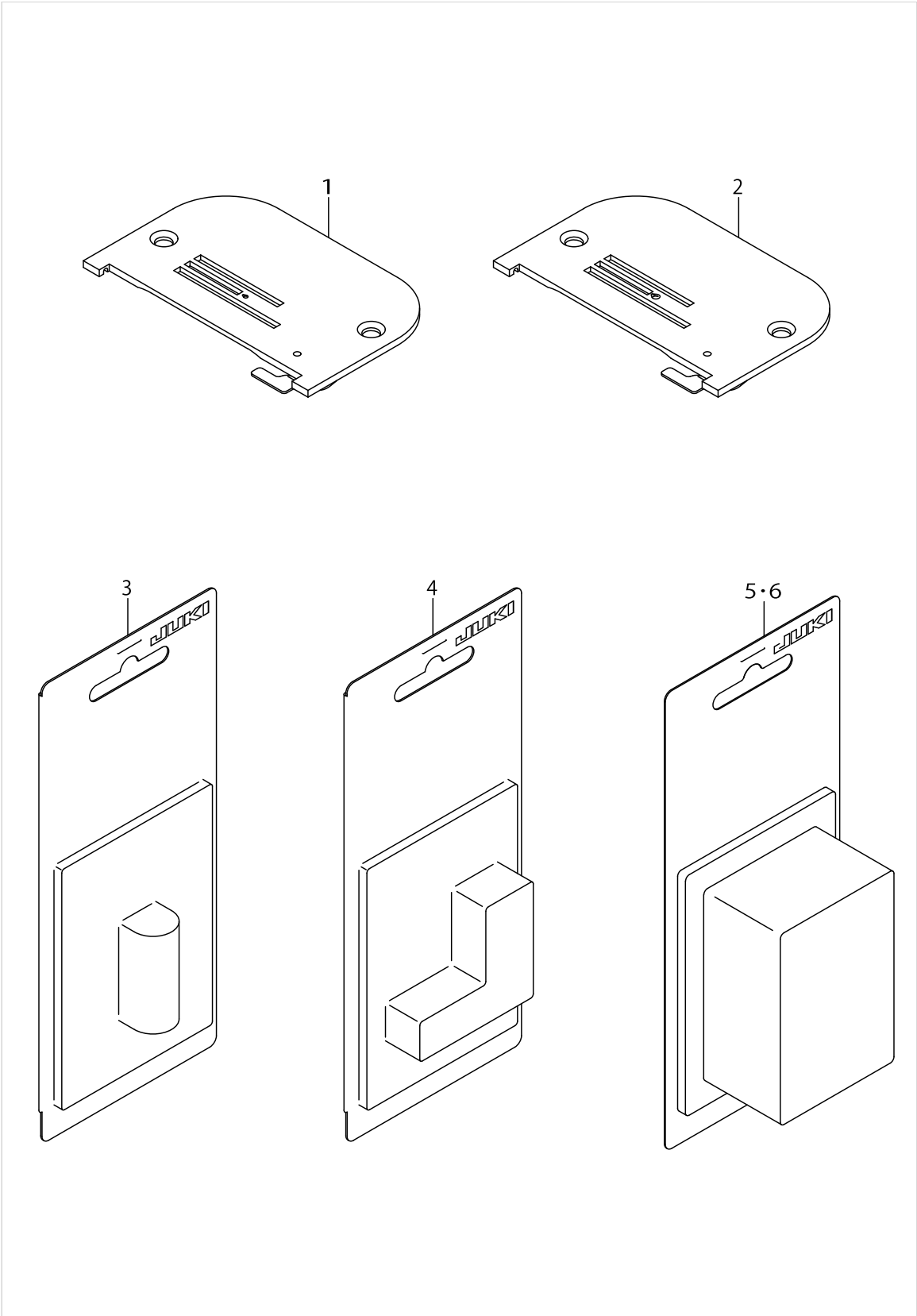
ACCESSORIES AND PACKING COMPONENTS



ACCESSORIES AND PACKING COMPONENTS

No.	Supply Code	Parts No.	Replacement	Parts name	Remarks	Choice	Step	Level	Cons	Qty	Rep. QTY
44		A9405090000A		KNEE PAD METAL FITTING BUFFER				*		1	
45	R	A8501E98ZA0	40180164	AUXILIARY TABLE ASM.				*		1	1.00
46		40066290		AUXILIARY TABLE				*		1	
47		A8502090000		AUXILIARY TABLE CLAW A				*		1	
48		ST5751651SN		SCREW				*		2	
49		A8503090000		AUXILIARY TABLE CLAW B				*		1	
50		A8504090000		KNEE PAD RETAINER				*		2	
51		A85050900A0		AUXILIARY TABLE STAND ASM.				*		2	
52		ST5041211SN		SCREW				*		8	
53		PS0200142KP		PIN				*		2	
54		A8508D98000		BOBBIN LID				*		1	
55		SL5030635SN		SCREW				*		2	
56		A8509D98000		LID INSTALLING PLATE				*		1	
57		ST5041211SN		SCREW				*		2	
58		A8510D98000		HOOK SUPPORT BASE				*		1	
59		ST5041211SN		SCREW				*		2	
60		ST5041211SN		SCREW				*		6	
61		A44219800AF		POWER CORD SET ASM. (CEE)	FOR CE					1	
62		A6071776ZA0A		POWER CORD SET ASM. (UL)	FOR UL					1	
63		A915365D000		WARRANTY CARD	FOR UL					1	
64		A9900Q98Z00		PARTS SHEET						1	
65	R	A925098PX00	40149841	INSTRUCTION MANUAL	FOR CE					1	1.00
66		A9250Q98Z00		INSTRUCTION MANUAL	FOR UL					1	
67		A44219800AGB		POWER CORD SET ASM. (SAA)	FOR AUS					1	
68		40071949		POWER_CORD_SET_(BS)_(ASM.)	FOR BS					1	
69		A442150C00A		POWER_CORD_SET_(CHN)_(ASM.)	FOR CHN					1	
70		40079741		POWER_CORD_SET_(KOR)	FOR KOR					1	
71		40079815		INSTRUCTION MANUAL	FOR CHN					1	
72		40079778		INSTRUCTION MANUAL	FOR KOR					1	
73		40070282		WARRANTY_CARD	FOR CHN					1	
74		40080802		WARRANTY_CARD	FOR CE,A-US,BS,KOR					1	

SEPARATELY-SOLD COMPONENTS



SEPARATELY-SOLD COMPONENTS

No.	Supply Code	Parts No.	Replacement	Parts name	Remarks	Choice	Step	Level	Cons	Qty	Rep. QTY
1		A1109090AA0A		NEEDLE PLATE(FOR THIN MATERIALS)						1	
2		A1109090BA0A		NEEDLE PLATE(FOR THICK MATERIALS)						1	
3		A98120960A0A		LAMP BLISTER PACK ASM.						1	
4		A98130960A0A		PRESSER FOOT FOR THIN MATERIALS ASM.						1	
5		A9811E98AA0A		1/5 QUILTING FOOT						1	
6		A9811E98BA0A		1/4 QUILTING FOOT						1	

HOW TO MAKE USE OF THIS PARTS LIST

- 1.As to "#01" and "#02" refer to the "Note" given at the bottom of the respective pages.
- 2.Codes on the "Qty" column
 - Each numeral indicates the number of parts required.
 - "0.1" and "2.5" indicate the length (in meters) of the respective parts.
- 3.Parentheses mean that the corresponding part is a subpart that constructs an assembly part.
- 4.Dotted lines on the Figures indicate assembly parts.

NUMERICAL INDEX OF PARTS

PART NO	PAGE	REF NO.	PART NO	PAGE	REF NO.	PART NO	PAGE	REF NO.
060702001000	26	13	A113598PXB0	6	1·2	A1404072000	12	1
11040003	30	3	A1135Q98ZA0A	6	3·4	A1408090000	10	7
40064413	28	59·60	A1135Q98ZB0A	6	1·2	A14110900A0	12	3
40064424	34	27	A11360900AA	6	9	A14130960A0	14	71
40064510	34	17	A11360900AB	6	36	A141609600AA	12	7
40064858	34	16	A1137090000	6	14	A14160960A0	12	9
40065584	22	23	A113809000A	6	10	A1417096000	12	10
40066290	36	46	A113809000B	6	37	A1419D25000A	14	50
40068159	4	46·47·73- ·74	A1138500000A	6	15	A1420001000	12	8
40070282	36	63·73·74	A1147090000	16	23	A1426096000	14	53
40071949	36	61·62·67 ~70	A1148D25000	16	22	A142609600B	14	58
40079741	36	61·62·67 ~70	A1150090000	34	7	A1430096000A	14	60
40079778	36	65·66·71- ·72	A116009000A	4	49	A14310960A0	12	44
40079815	36	65·66·71- ·72	A116098PZB0B	2	46·47·73- ·74	A1432096000A	14	52
40080274	28	48·49·75	A1160E98ZA0	4	48·75	A143209600A	14	54
40080276	28	67·68·76	A1160Q98ZB0B	4	46·47·73- ·74	A143209600C	14	56
40080437	8	41·68	A1161008000A	34	23	A1433096000	14	47
40080438	4	48·75	A1161090000	4	50	A1434096000	14	55
40080439	4	46·47·73- ·74	A1201D980A0	10	16	A1440D250A0A	14	63
40080802	36	63·73·74	A1202090000	10	18	A1450096000	12	43
A1109090AA0A	38	1	A1203007000	10	19	A1450D250A0	12	42
A1109090BA0A	38	2	A12030080A0	18	49	A1450D250B0	12	39
A1109E98Z00	2	8	A12030080A0	20	2	A1451096000	14	57
A1109E98ZB0	2	7	A1204090000	10	27	A1452096000	14	48
A1109E98ZC0	2	6	A12050900A0	10	21	A1453096000	14	45
A1110D980A0	2	11	A12070900A0	16	4	A1501090000	22	4
A1112090000	2	9	A1208090000	16	2	A1502090000	6	38
A1112D98000	2	12	A1209072000	10	8	A150209000A	6	6
A1113E98ZA0	2	13	A1210D25000	10	23	A150209000B	6	5
A1116D25000	4	69	A1210D25000	10	23	A150209000C	6	39
A1116D250A0	4	67	A1219907000	10	9	A1503D250A0	22	2
A1118E98Z00	2	15	A1225090000	10	29	A1505D25000	22	3
A1120202000	2	2	A1226D98000	10	24	A15070960A0	22	6
A1120313000	4	71	A1227D98000	10	26	A1508090000	22	8
A1120334000	4	56	A1228090000A	10	34	A1509090000	22	1
A1121090000	2	3	A1229090000	10	33	A1512X28000	22	12
A1121313000	4	70	A1230500000A	10	35	A1513X28000	22	11
A1128096000	6	12	A1232090000A	10	30	A1515090000	22	9
A1132025000	22	5	A1244096000	10	31	A151709000A	24	48
A11340900A0	6	29	A1248096000	10	32	A151709000B	24	46
A113598PXA0	6	3·4	A1401096000A	12	6	A151709000C	22	44
			A14010960B0A	12	5	A151709000D	22	45
			A1402090000	12	2	A15170900A0	22	43
			A1402096000A	12	11	A1518090000	24	49
			A1403090000	12	12	A1519090000	24	50

NUMERICAL INDEX OF PARTS

PART NO	PAGE	REF NO.	PART NO	PAGE	REF NO.	PART NO	PAGE	REF NO.
A1601096000	16	44	A1710090000	16	40	A19040900A0	10	4
A1601096000	20	8	A1711090000	16	43	A2310D250A0A	32	59
A1602090000	16	31	A17120900A0	32	51	A2400D250A0A	32	62
A1603090000	16	33	A1723D25000	30	39	A2401D25000	32	64
A1604090000	18	51	A1724D250A0	30	32	A24020900A0B	12	37
A1604090000	20	1	A1726D25000A	30	29	A2435033000	2	30
A16050900A0	16	35	A1727D250A0A	30	28	A2435033000	30	41
A1606090000	16	41	A172809000A	30	31	A2440D250A0	22	32
A16120900A0	16	45	A1729D25000	30	35	A2440D250C0	22	29
A16140900A0	16	8	A173009000A	32	52	A2441096000	22	41
A1618090000	16	29	A173009000B	32	54	A2444090000	22	34
A16190900A0	16	10	A1732D25000	32	55	A24460960A0	20	28
A16200900A0	18	57	A1733D25000	30	34	A2447090000	22	37
A16200900B0	18	55	A1735D25000	30	38	A2448090000	22	38
A1621090000	18	56	A1735D25A00	30	57	A2449090000	22	31
A16220900A0	16	13	A1735D25A00	32	57	A2461D25000	12	35
A1623090000	18	60	A1801D98000	12	29	A2462D25000	12	26
A1625090000A	16	16	A1802007000	12	27	A2464D250A0	32	69
A1626090000A	18	53	A1804007000	14	68	A2467D25000	32	71
A1627090000A	16	15	A1805D980A0	14	61	A2469T70000	32	72
A1628090000A	18	61	A1807090000A	12	30	A2470D250A0	32	67
A1635090000	16	42	A180909600A	12	31	A2470T70000	32	61
A16470960A0A	16	25	A1809D98000	14	70	A3106202000	22	28
A1652090000	16	24	A1830D250AA	12	24	A31099DC000	30	43
A1653090000	16	20	A18350900A0B	12	17	A3111D98000	2	35
A1661096000	20	24	A1835090A00A	12	18	A311209000AA	2	37
A1662096000	20	12	A183770000A	12	21	A3114D25000	2	20
A1663096000	20	11	A1837D250AB	12	22	A3115D25000	8	53
A16650960A0A	20	10	A1869090000	30	14	A3116Q98Z00	8	54
A16650960B0A	20	9	A1870D250A0A	30	20	A3117090000	8	55
A1667096000	20	13	A1870D250C0A	30	16	A31180900A0	8	59
A1668096000	20	20	A18720900A0	30	5	A3119096000	8	57
A16710960A0A	20	19	A18720900B0B	30	1	A3120D250A0	8	63
A1673096000	20	21	A1873090000	30	2	A3122D250A0	2	36
A1674D250A0	20	16	A18760900A0	30	18	A3123D25000	8	65
A1683090000	18	58	A18780900A0A	30	22	A3124096A00	2	45
A1701090000	16	3	A1880090000	30	24	A3124D25000	2	43
A1702096000	20	25	A1881090000	30	21	A3127090000B	2	38
A17020960A0	20	23	A1882D25000	30	12	A3128098000	2	33
A17040900A0	20	5	A1890090000B	30	10	A3130700000	30	25
A1705D98000	32	46	A18910960A0	12	33	A3132D98000	2	40
A1705D980B0A	32	44	A19010900A0	10	5	A3133D98000	2	41
A17060900A0A	32	45	A19010900B0	10	3	A3135096000	2	22
A1707090000	32	49	A19010900C0	10	1	A3151535000	8	62
A1708090000	32	47	A1902090000	10	2	A32040900A0	6	21

NUMERICAL INDEX OF PARTS

PART NO	PAGE	REF NO.	PART NO	PAGE	REF NO.	PART NO	PAGE	REF NO.
A3205090000	6	23	A4044D25000A	28	66	A7101Q98ZA0B	26	23·24
A3206030000	2	29	A407855000B	4	62	A7103D25000	2	17
A3208X28000	6	22	A407855000B	6	42	A7103E98Z0A	4	65
A321600100A	6	24	A407855000B	26	71	A7105D25000	2	4
A3217072000	6	30	A407855000B	28	71	A7110090000	10	25
A3218096000	6	32	A407855000B	32	75	A7112090000	28	50
A32190960A0	6	33	A410098PXA0A	26	38	A7113D25000	26	22
A3221096000	6	18	A4100Q98ZA0A	26	39	A7120096000	26	5·6
A3222090000	6	35	A442150C00A	36	61·62·67 ~70	A712098PX00	26	5·6
A3225096000	28	54	A44219800AF	36	61·62·67 ~70	A71210960A0	26	10
A32260960A0A	6	19	A44219800AGB	36	61·62·67 ~70	A7122D250A0A	26	7
A3227D250B0A	28	55	A450198PXA0A	26	30·31	A72010900A0	10	14
A3228D25000	28	58	A4501E98Z00	26	32	A72010900B0	10	10
A32319570A0	6	7	A4501Q98ZA0A	26	30·31	A72030900A0	10	12
A3235096000	6	25	A4502D25000	26	41	A7204090000A	10	13
A3236096000	6	26	A4502E98Z00	4	57	A7300E98ZA0B	26	36
A3406090000	22	13	A4503D25000	26	33·34	A8001096000A	34	22
A3407090000	22	14	A4503E98Z00	26	33·34	A80010960A0A	34	21
A3408090000	22	15	A4504Q98Z00	28	42	A8002096000	34	26
A3410090000	22	21	A4505Q98ZA0A	28	59·60	A8004096000	34	18
A3411090000	22	18	A5000096000	2	27	A8005096000	34	19
A3412X28000	22	19	A50000960A0	2	26	A8006096000	34	28
A3413090000	22	17	A5001090000	2	25	A8401D25000	34	29
A341309000A	22	20	A5002096000	2	28	A8501E98ZA0	36	45
A3420X28000	22	25	A5133E98AB0A	34	13	A8501E98ZB0	34	40
A3421X28000	22	26	A5133E98BB0A	34	14	A8502090000	36	47
A34250900A0A	34	43	A5140E98ZA0	34	15	A8503090000	36	49
A3801D25000	8	47	A6071776ZA0A	36	61·62·67 ~70	A8504090000	36	50
A3801D250A0	8	46	A710000900C	26	16	A85050900A0	36	51
A3802096000	6	44	A710009000D	28	44·45	A8508D98000	36	54
A3803096000	8	48	A710009000E	28	46·47	A8509D98000	36	56
A3804D25000A	8	51	A710098PX0D	28	44·45	A8510D98000	36	58
A3805096000	6	43	A710098PX0E	28	46·47	A8521090000	4	51
A3805Q98ZA0	6	41·68	A710098PXA0A	26	11·12	A8522090000	4	53
A3811550000	4	59	A710098PXC0A	26	1	A910198PX0CA	34	30·31
A4011096000A	28	62	A7100D9800A	26	17	A9101Q98Z0CA	34	30·31
A4015E98ZA0A	26	37	A7100D9800B	26	18	A9102062BA0	34	8
A4016D25000	28	72	A7100Q98ZA0A	26	11·12	A9103102000	34	3
A403201SZ00	26	25	A7100Q98ZC0A	26	1·2	A9104090000	34	6
A403598PXA0A	28	67·68·76	A7101090000	26	28·29	A9110700000	34	2
A4035Q98ZA0A	28	67·68·76	A710198PX00	26	28·29	A9117007000	12	23
A404098PXA0B	28	48·49·75	A710198PXA0B	26	23·24	A9117007000	34	5
A4040Q98ZA0B	28	48·49·75				A9121Q98Z00	34	11
A4042D25000	28	65				A9121Q98ZA0A	34	1
A4043D25000A	28	51				A9133090000	34	9

NUMERICAL INDEX OF PARTS

PART NO	PAGE	REF NO.	PART NO	PAGE	REF NO.	PART NO	PAGE	REF NO.
A9137956000	34	4	RE0300000K0	2	16	SM4040655SN	14	65
A9150E98ZA0A	34	12	RE0300000K0	16	34	SM4040655SN	22	42
A915365D000	36	63·73·74	RE0300000K0	22	47	SM4040855SP	2	23
A925098PX00	36	65·66·71- ·72	RE0300000K0	24	47	SM4040855SP	30	11
A9250Q98Z00	36	65·66·71- ·72	RE0300000K0	32	66	SM4041055SF	6	34
A9301D25000	34	33	RE0400000K0	20	18	SM4041055SP	16	36
A9302D25000	34	34	RE0400000K0	30	70	SM4041055SP	20	6
A9400D980AAA	34	38	RE0400000K0	32	70	SM4050855SP	30	15
A9401D980AA	34	37	RE0400000KR	26	19	SM4831001SF	6	28
A9402D250A0	34	32	RE0500000K0	30	33	SM4860655SN	16	1
A9404090000	34	39	RE0500000K0	20	14	SM5030355SN	14	51
A9405090000A	36	44	RE0500000K0	30	19	SM5030355SN	32	73
A9405D98000	34	42	RE0600000K0	10	11	SM5030401SN	32	74
A9406D98000	34	41	RE0600000K0	12	16	SM5030455SF	8	52
A9811E98AA0A	38	5·6	RE0600000K0	16	59	SM5030455SF	22	27
A9811E98BA0A	38	5·6	RE0600000K0	18	59	SM5030501SC	8	66
A98120960A0A	38	3	RE0800000K0	18	52	SM5030631SF	30	30
A98130960A0A	38	4	RE0800000K0	20	22	SM5030655SN	2	32
A9900Q98Z00	36	64	RE0900000K0	24	52	SM5030655SN	6	64
B15240120A0	22	10	RE1000000K0	10	28	SM5030655SN	8	64
B1806038000	12	28	SL5030531SF	26	8	SM5030655SN	12	40
B3120125000	2	44	SL5030631SF	30	36	SM5030655SN	16	21
B3126012000	2	39	SL5030631SF	34	20	SM5030655SN	22	30
B3129012A00	2	42	SL5030631SS	30	26	SM5030655SN	26	43
D2404555B00	30	4	SL5030635SN	2	31	SM5030655SN	28	43
D2406555D0H	30	8	SL5030635SN	6	27	SM5030655SN	30	56
D3159555B00	22	36	SL5030635SN	36	55	SM5030655SN	32	56
HA00346000A	8	49	SL5030655SF	30	65	SM5030855SN	20	17
HF0030031P0	28	69·70	SL5030655SF	32	65	SM5031401SE	28	52
HF0059050P0	28	69·70	SL5030801SN	2	34	SM5032051SE	26	35
HX00150000F	4	63	SL5030801SN	6	31	SM5040601SE	4	60
J0231082A0B	34	35	SL5030831SF	2	24	SM50406055SN	32	60
MHA100B1400	12	14	SL5030831SF	18	62	SM5040655SN	4	64
MHA1M111422	34	10	SL5030831SF	28	57	SM5040655SN	6	16
NM3040550SC	26	21	SL5030851SN	28	73	SM5040855SN	4	54
NM6030002SF	16	18	SL5031031SE	6	20	SM5040855SN	10	15
NM6040001SC	26	4	SL5031251SP	26	9	SM5040855SN	12	20
NS6620310SP	22	40	SL5040631SE	8	61	SM5040855SN	18	65
PH0200062C0	12	41	SL5040631SE	14	64	SM5040855SN	20	29
PS0200142KP	26	15	SL5041031SF	26	20	SM5040855SN	22	39
PS0200142KP	32	63	SM1040800SL	2	18	SM5040855SN	28	61
PS0200142KP	36	53	SM1860601SC	14	59	SM5040855SN	32	58
RE0200000K0	16	38	SM4020201SC	2	14	SM5041055SN	4	66
RE0250000K0	14	46	SM4020301SC	8	50	SM5041055SN	18	63
			SM4020301SN	12	19	SM5041055SN	20	26

NUMERICAL INDEX OF PARTS

PART NO	PAGE	REF NO.	PART NO	PAGE	REF NO.
SM5041255SN	2	5	WP0430801SD	18	48
SM5041255SN	18	54	WP0430801SD	20	7
SM5041255SN	22	22	WP0450816SC	32	53
SM5041455SP	18	47	WP0451016SC	26	14
SM5042005SN	8	67	WP0530516RZ	32	68
SM5050855SN	28	63	WP0620316RZ	10	6
SM5051255SN	2	72	WP0700616SP	14	67
SM5051255SN	4	72	WP0850616SP	14	66
SM5051255SN	22	24	WP1000316RZ	20	30
SM8030402TP	14	72	WP1220516RZ	24	51
SM8030402TP	16	26			
SM8030502TP	16	39			
SM8031400TP	16	19			
SM8040402TP	12	36			
SM8040402TP	20	15			
SM8040412TP	24	53			
SM8040602TP	2	19			
SM8040602TP	12	15			
SM8040602TP	16	46			
SM8040602TP	20	27			
SM8050402TP	12	62			
SM8050402TP	14	62			
SM8050602TP	10	36			
SM8050602TP	12	69			
SM8050602TP	14	69			
SM8050602TP	16	14			
SM8060502TP	10	22			
SM8060502TP	18	50			
SM8060502TP	20	3			
SM8060502TP	22	7			
SM8060510SP	12	4			
SM8060802TP	16	5			
SS2060210SP	30	9			
SS6110560TP	12	25			
ST4861051SN	4	68			
ST5030551SR	28	56			
ST5030851SN	28	74			
ST5031051SR	34	25			
ST5041051SC	26	3			
ST5041211SN	36	60			
ST5751651SN	36	48			
WP0250501SC	6	40			
WP0430801SC	18	64			
WP0430801SC	34	24			
WP0430801SD	16	48			