

MODEL : HZL-G Series

List No : 6023-02

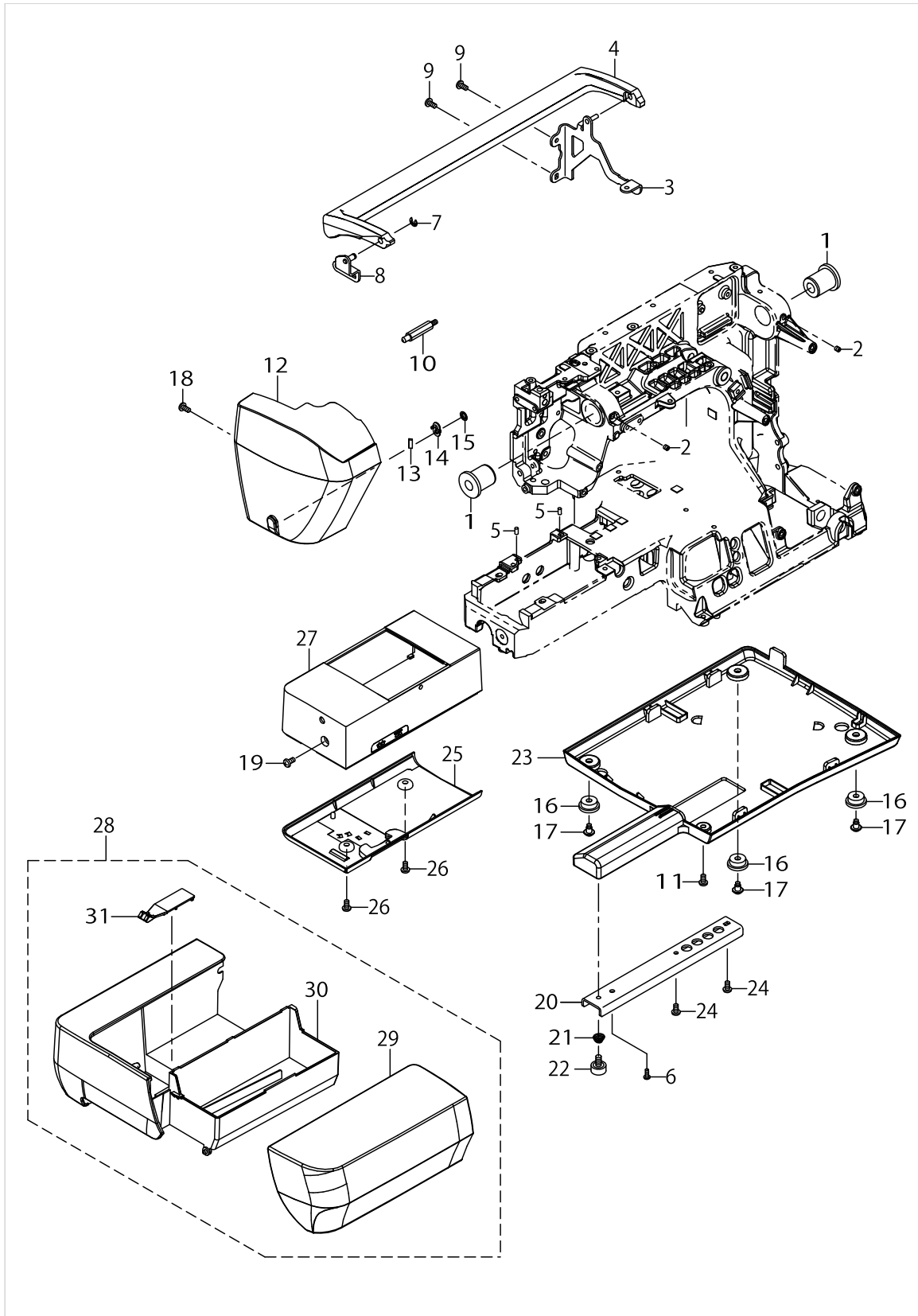
PARTS LIST

Published:05/12/2017

CONTENTS

| | |
|---|----|
| FRAME MISCELLANEOUS COVER COMPONENTS (1)..... | 1 |
| FRAME MISCELLANEOUS COVER COMPONENTS (2)..... | 3 |
| THROAT PLATE COMPONENTS..... | 7 |
| UPPER SHAFT & TAKE UP COMPONENTS..... | 9 |
| NEEDLE BAR & NEEDLE THREADER COMPONENTS..... | 11 |
| PRESSER MECHANISM & NEEDLE THROWING COMPONENTS..... | 13 |
| FEED MECHANISM COMPONENTS..... | 17 |
| LOWER SHAFT & HOOK COMPONENTS..... | 21 |
| THREAD TRIMMER COMPONENTS (FOR G210)..... | 25 |
| THREAD TENSION COMPONENTS..... | 31 |
| BOBBIN WINDER COMPONENTS..... | 35 |
| POWER SUPPLY & MAIN MOTOR COMPONENTS..... | 37 |
| ACCESSORIE PARTS COMPONENTS..... | 41 |
| PACKING MATERIAL COMPONENTS..... | 45 |
| OPTIONAL ACCESSORY PARTS COMPONENTS..... | 47 |
| HOW TO MAKE USE OF THIS PARTS LIST..... | 49 |

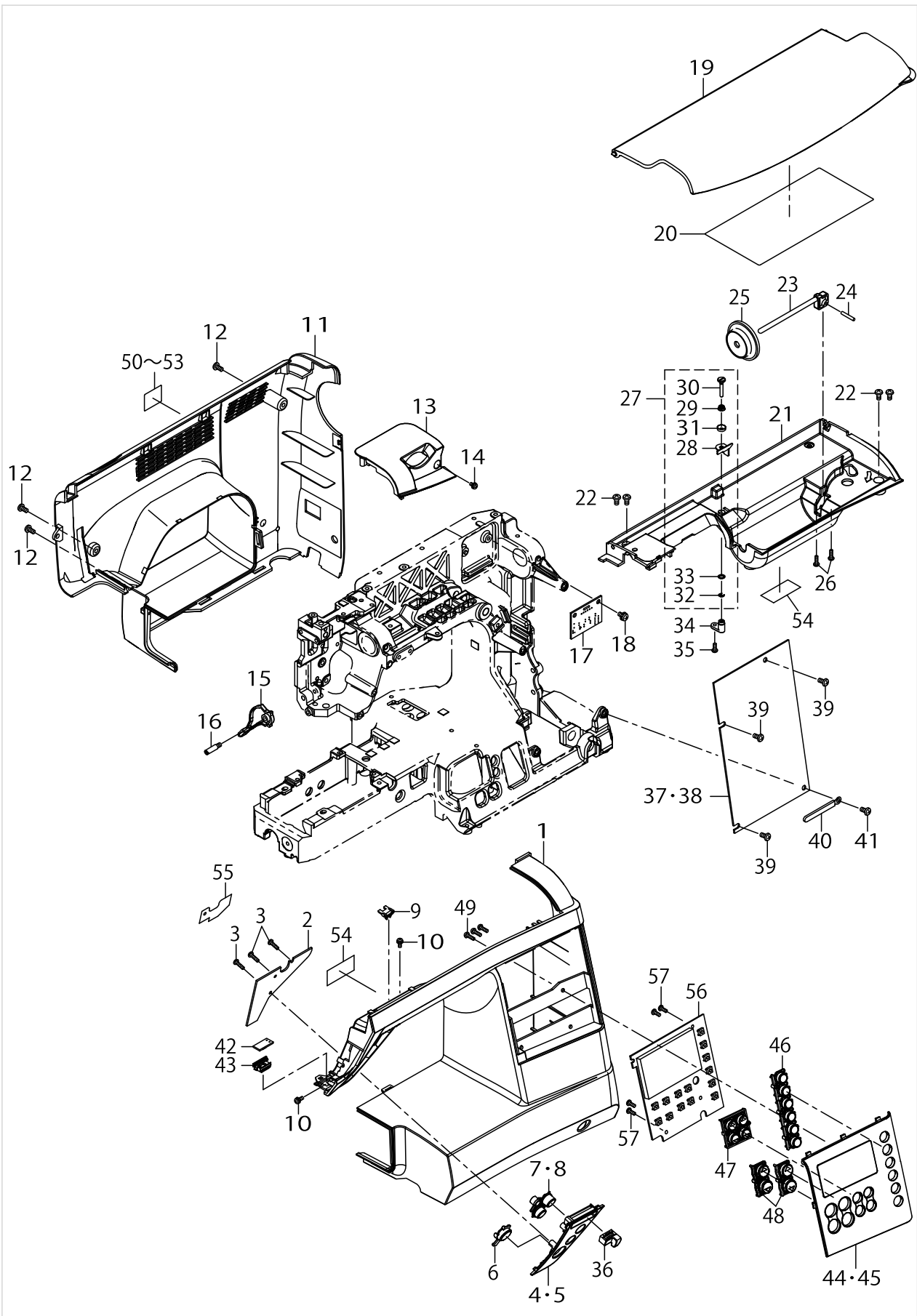
FRAME MISCELLANEOUS COVER COMPONENTS (1)



FRAME MISCELLANEOUS COVER COMPONENTS (1)

| No. | Supply Code | Parts No. | Replacement | Parts name | Remarks | Choice | Step | Level | Cons | Qty | Rep. QTY |
|-----|-------------|--------------|-------------|-------------------------|---------|--------|------|-------|------|-----|----------|
| 1 | | 40053485 | | UPPER SHAFT BUSHING | | | | | | 2 | |
| 2 | | SM8040412TP | | SET SCREW M4 L=4 | | | | | | 2 | |
| 3 | | 40107895 | | HANDLE BRACKET ASSY | | | | | | 1 | |
| 4 | | 40059249 | | HANDLE | | | | | | 1 | |
| 5 | | PH0300062C0 | | PIN | | | | | | 2 | |
| 6 | | ST5030851SN | | SCREW M5X8 | | | | | | 1 | |
| 7 | | RE0400000K0 | | E-RING 4 | | | | | | 1 | |
| 8 | | 40062500 | | HANDLE BRACKET L ASSY | | | | | | 1 | |
| 9 | | SM5040855SN | | SCREW | | | | | | 2 | |
| 10 | | 40107898 | | FACE COVER GUIDE SHAFT | | | | | | 1 | |
| 11 | | SM5040855SN | | SCREW | | | | | | 1 | |
| 12 | | 40107428 | | FACE COVER | | | | | | 1 | |
| 13 | R | A3711010000A | 40174537 | TOP THREADING CUTTER | | A | | | | 1 | 1.00 |
| 13 | R | A3711010000A | 40174532 | TOP THREADING CUTTER | | A | | | | 1 | 1.00 |
| 14 | | 40072395 | | CUTTER HOLDER | | | | | | 1 | |
| 15 | | A3205555A00 | | LOCKNUT | | | | | | 1 | |
| 16 | | 40057990 | | RUBBER WASHER | | | | | | 3 | |
| 17 | | 40057922 | | RUBBER WASHER SCREW | | | | | | 3 | |
| 18 | | SM5040855SN | | SCREW | | | | | | 1 | |
| 19 | | SM5040855SN | | SCREW | | | | | | 1 | |
| 20 | | 40107899 | | BED REINFORCING PLATE | | | | | | 1 | |
| 21 | | A1159770000 | | HEIGHT ADJUSTING SPRING | | | | | | 1 | |
| 22 | | 40057991 | | HEIGHT ADJUSTING RUBBER | | | | | | 1 | |
| 23 | | 40107435 | | BED COVER DOMESTIC | | | | | | 1 | |
| 24 | | SM5040855SN | | SCREW | | | | | | 2 | |
| 25 | | 40053685 | | FREE ARM LOWER COVER | | | | | | 1 | |
| 26 | | SM5040855SN | | SCREW | | | | | | 2 | |
| 27 | | 40053686 | | FREE ARM UPPER COVER | | | | | | 1 | |
| 28 | | 40107566 | | ASSY AUXILIARY BED | | | | | | 1 | |
| 29 | | 40107567 | | AUXILIARY BED COVER | | | | * | | 1 | |
| 30 | R | 40053683 | 40060614 | AUXILIARY BED | | | | * | | 1 | 1.00 |
| 31 | | 40064571 | | AUXILIARY BED CLICK | | | | * | | 1 | |

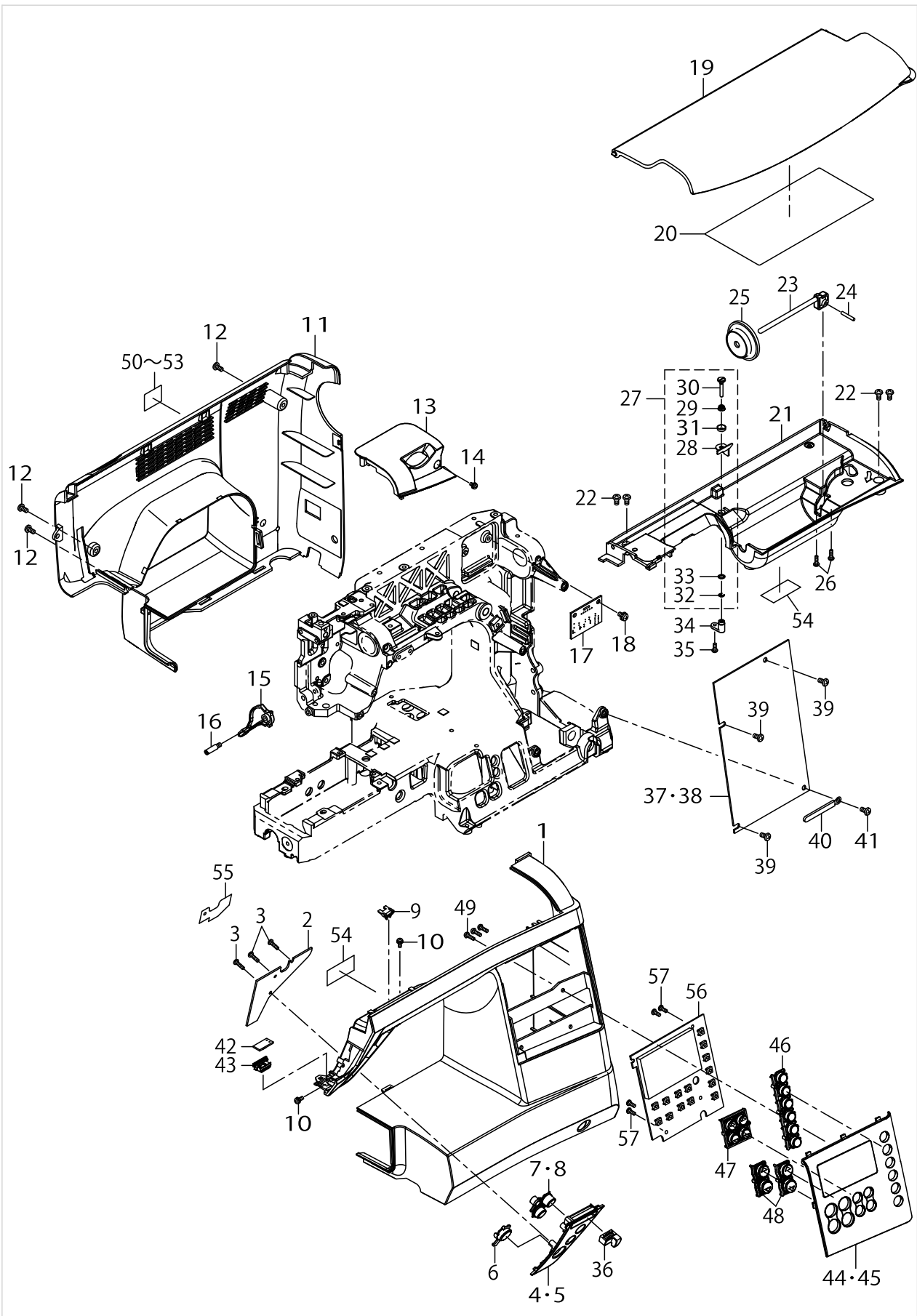
FRAME MISCELLANEOUS COVER COMPONENTS (2)



FRAME MISCELLANEOUS COVER COMPONENTS (2)

| No. | Supply Code | Parts No. | Replacement | Parts name | Remarks | Choice | Step | Level | Cons | Qty | Rep. QTY |
|-----|-------------|--------------|-------------|-----------------------------------|----------------------------|--------|------|-------|------|-----|----------|
| 1 | | 40107431 | | FRONT PANEL | | | | | | 1 | |
| 2 | | 40105670 | | ASSY SW/VR CIRCUIT BOARD | | | | | | 1 | |
| 3 | | ST5031251SS | | SCREW | | | | | | 3 | |
| 4 | | 40107458 | | OPERATION PANEL G110 | FOR G110(- UL),G110(CE) | | | | | 1 | |
| 5 | | 40107455 | | OPERATION PANEL G210 | FOR G210(- UL),G210(CE) | | | | | 1 | |
| 6 | | 40107585 | | SS BUTTON | | | | | | 1 | |
| 7 | | 40107598 | | REVERSE TC BUTTON A | FOR G110(- CE),G210(CE) | | | | | 1 | |
| 8 | | 40107599 | | REVERSE TC BUTTON B | FOR G110(- UL),G210(UL) | | | | | 1 | |
| 9 | | 40069623 | | SLIDE VR CONNECT PART | | | | | | 1 | |
| 10 | | SL4030891SC | | SCREW M3X8 | | | | | | 2 | |
| 11 | | 40107439 | | REAR PANEL DOMESTIC | | | | | | 1 | |
| 12 | | SM5040855SN | | SCREW | | | | | | 3 | |
| 13 | | 40107448 | | TT COVERDOMESTIC | | | | | | 1 | |
| 14 | | SL4030691SC | | SCREW M3 L=6 | | | | | | 1 | |
| 15 | | 40055401 | | LIFTER LEVER | | | | | | 1 | |
| 16 | | 40070284 | | LIFTERLEVER SHAFT | | | | | | 1 | |
| 17 | | 40056554 | | ASSY SYNC CIRCUIT BOARD | | | | | | 1 | |
| 18 | | SM5040855SN | | SCREW | | | | | | 1 | |
| 19 | | 40107451 | | ARM COVER | | | | | | 1 | |
| 20 | | 40108204 | | PATTERN SEAL DOMESTIC | | | | | | 1 | |
| 21 | | 40107452 | | SPOOL COVER | | | | | | 1 | |
| 22 | | SM5040855SN | | SCREW | | | | | | 4 | |
| 23 | | 40058088 | | SPOOL PIN | | | | | | 1 | |
| 24 | | PH0300182C0 | | PARALLEL PIN | | | | | | 1 | |
| 25 | | A1145E50000 | | SPOOL CAP | | | | | | 1 | |
| 26 | | ST5031051SN | | TAPPING SCREW | | | | | | 2 | |
| 27 | | 40064572 | | ASSY THREAD GUIDE BASE | | | | | | 1 | |
| 28 | | 40062034 | | THREAD GUIDE BASE | | | | * | | 1 | |
| 29 | | A3234550000 | | THREAD GUIDE BASE SPRING | | | | * | | 1 | |
| 30 | | A3235030Z00A | | THREAD GUIDE DISK SHAFT | | | | * | | 1 | |
| 31 | | A3233731000 | | THREAD GUIDE DISK | | | | * | | 1 | |
| 32 | | A3236880000 | | E-RING | | | | * | | 1 | |
| 33 | | A3237880000 | | WASHER | | | | * | | 1 | |
| 34 | | A1139030Z00 | | THREAD GUIDE MOUNTING PLATE | | | | | | 1 | |
| 35 | | ST5031051SN | | TAPPING SCREW | | | | | | 1 | |
| 36 | | 40107600 | | SLIDE VR | | | | | | 1 | |
| 37 | R | 40105360 | 40119518 | ALL ASSY CPU PCB G110 | FOR G110(- UL),G110(CE) | | | | | 1 | 1.00 |
| 38 | | 40107480 | | ALL ASSY CPU PCB G210 | FOR G210(- UL),G210(CE) | | | | | 1 | |
| 39 | | SM5040855SN | | SCREW | | | | | | 3 | |
| 40 | | A3811550000 | | CORD HOLDER | | | | | | 1 | |
| 41 | | SM5040855SN | | SCREW | | | | | | 1 | |
| 42 | | 40056548 | | ASSY ON HAND LED CIRCUIT BOARD | | | | | | 1 | |
| 43 | | 40059167 | | LED LAMP COVER R | | | | | | 1 | |

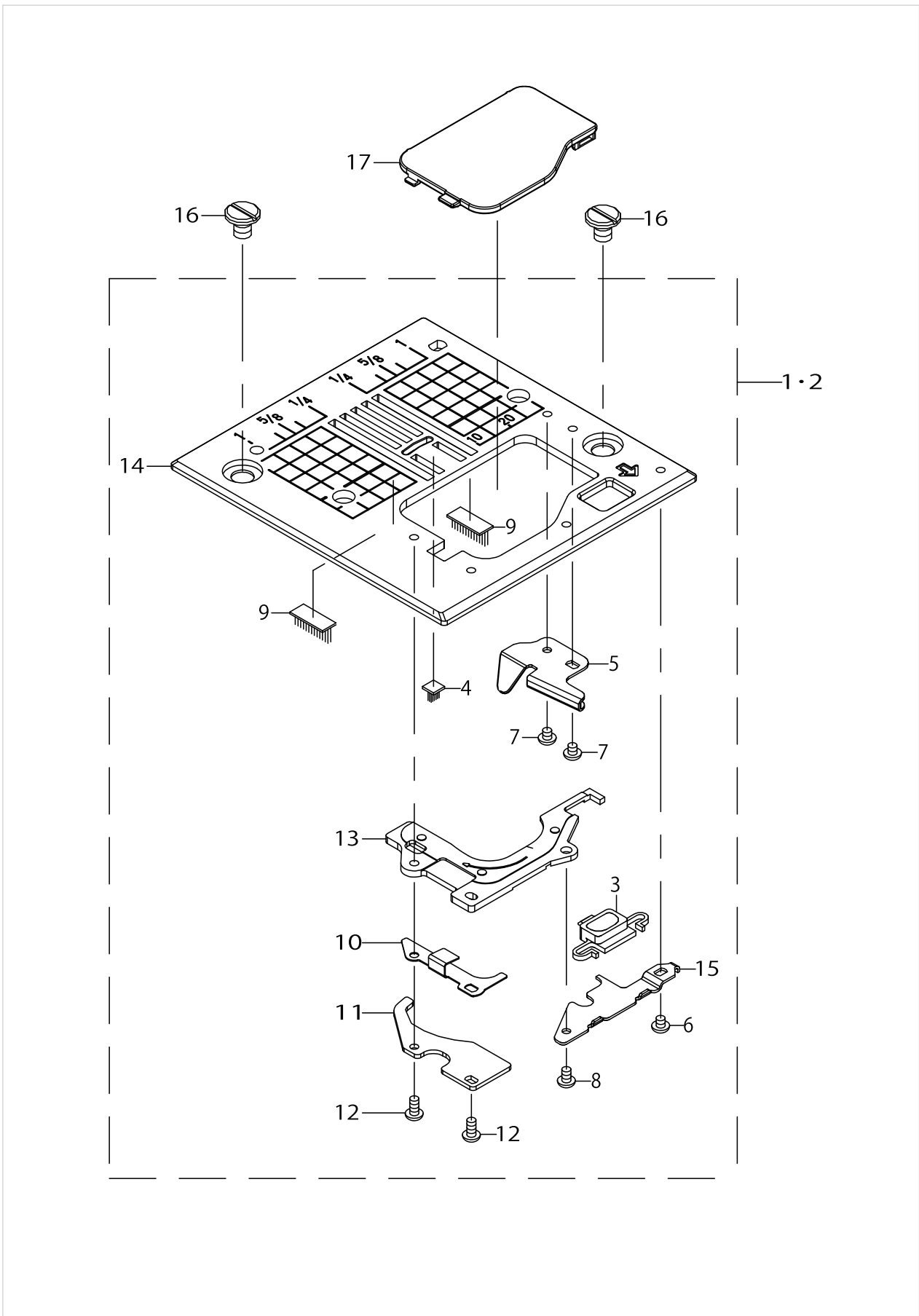
FRAME MISCELLANEOUS COVER COMPONENTS (2)



FRAME MISCELLANEOUS COVER COMPONENTS (2)

| No. | Supply Code | Parts No. | Replacement | Parts name | Remarks | Choice | Step | Level | Cons | Qty | Rep. QTY |
|-----|-------------|-------------|-------------|-----------------------------------|------------------------|--------|------|-------|------|-----|----------|
| 44 | | 40107581 | | PATTERN PANEL G110 ASSY | FOR G110(-UL),G110(CE) | | | | | 1 | |
| 45 | | 40107577 | | PATTERN PANEL G210 ASSY | FOR G210(-UL),G210(CE) | | | | | 1 | |
| 46 | | 40107596 | | FUNCTION BUTTON | | | | | | 1 | |
| 47 | | 40107595 | | SHIFT BUTTON S | | | | | | 1 | |
| 48 | | 40107594 | | SHIFT BUTTON L | | | | | | 2 | |
| 49 | | ST5031051SN | | TAPPING SCREW | | | | | | 3 | |
| 50 | | 40108208 | | RATING LABEL G110 UL | FOR G110(UL) | | | | | 1 | |
| 51 | | 40108212 | | RATING LABEL G110 CE/BS | FOR G110(CE) | | | | | 1 | |
| 52 | | 40108206 | | RATING LABEL G210 UL | FOR G210(UL) | | | | | 1 | |
| 53 | | 40108210 | | RATING LABEL G210 CE/BS | FOR G210(CE) | | | | | 1 | |
| 54 | | A3922980000 | | START SWITCH LEAD TAPE | | | | | | 1 | |
| 55 | | 40107900 | | INSULATION SEAT | | | | | | 1 | |
| 56 | | 40104568 | | ASSY PANEL CIRC-UIT BOARD FOREIGN | | | | | | 1 | |
| 57 | | ST5030851SN | | SCREW M5X8 | | | | | | 4 | |

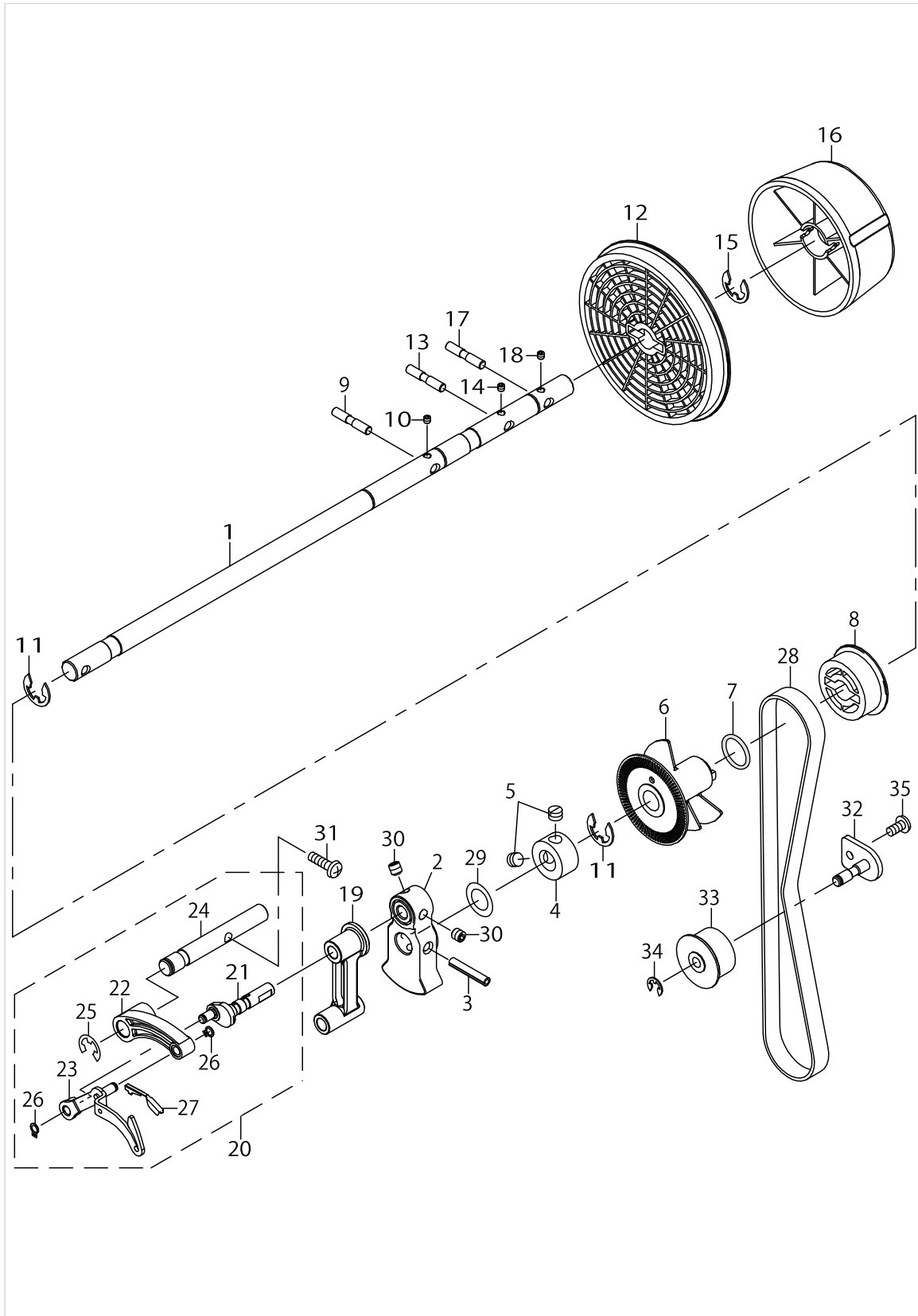
THROAT PLATE COMPONENTS



THROAT PLATE COMPONENTS

| No. | Supply Code | Parts No. | Replacement | Parts name | Remarks | Choice | Step | Level | Cons | Qty | Rep. QTY |
|-----|-------------|--------------|-------------|------------------------------|----------|--------|------|-------|------|-----|----------|
| 1 | | 40111151 | | ASSY_THROAT_PLATE_G100 | FOR G110 | | | | | 1 | |
| 2 | | 40111549 | | ASSY_THROAT_PLATE_G210 | FOR G210 | | | | | 1 | |
| 3 | | A1114010000A | | HOOK COVER OPEN/CLOSE BUTTON | | | | * | | 1 | |
| 4 | | 40064702 | | THROAT PLATE PILE B | | | | * | | 1 | |
| 5 | | 40065631 | | HOOK COVER SUPPORT PLATE | | | | * | | 1 | |
| 6 | | SM4020201SC | | SCREW M2 L=2 | | | | * | | 1 | |
| 7 | | SM4020201SC | | SCREW M2 L=2 | | | | * | | 2 | |
| 8 | | SM4020301SC | | SCREW M2X0.4 L=3 | | | | * | | 1 | |
| 9 | | A1117008000 | | NEEDLE PLATE PILE A | FOR G210 | | | * | | 2 | |
| 10 | | A1111008000 | | HOOKCOVERSPRING | | | | * | | 1 | |
| 11 | | 40110417 | | STOPPING PLATE LEFT | | | | * | | 1 | |
| 12 | | SM4020401SF | | SCREW M2 L=4 | | | | * | | 2 | |
| 13 | | 40107608 | | INNER HOOK COVER | | | | * | | 1 | |
| 14 | | 40107604 | | THROAT PLATE | | | | * | | 1 | |
| 15 | | A1119010000 | | HOOK COVER BUTTON SUPPORT | | | | * | | 1 | |
| 16 | | A1138335000 | | THROAT PLATE SETSCREW | | | | | | 2 | |
| 17 | | 40107601 | | HOOK COVER | | | | | | 1 | |

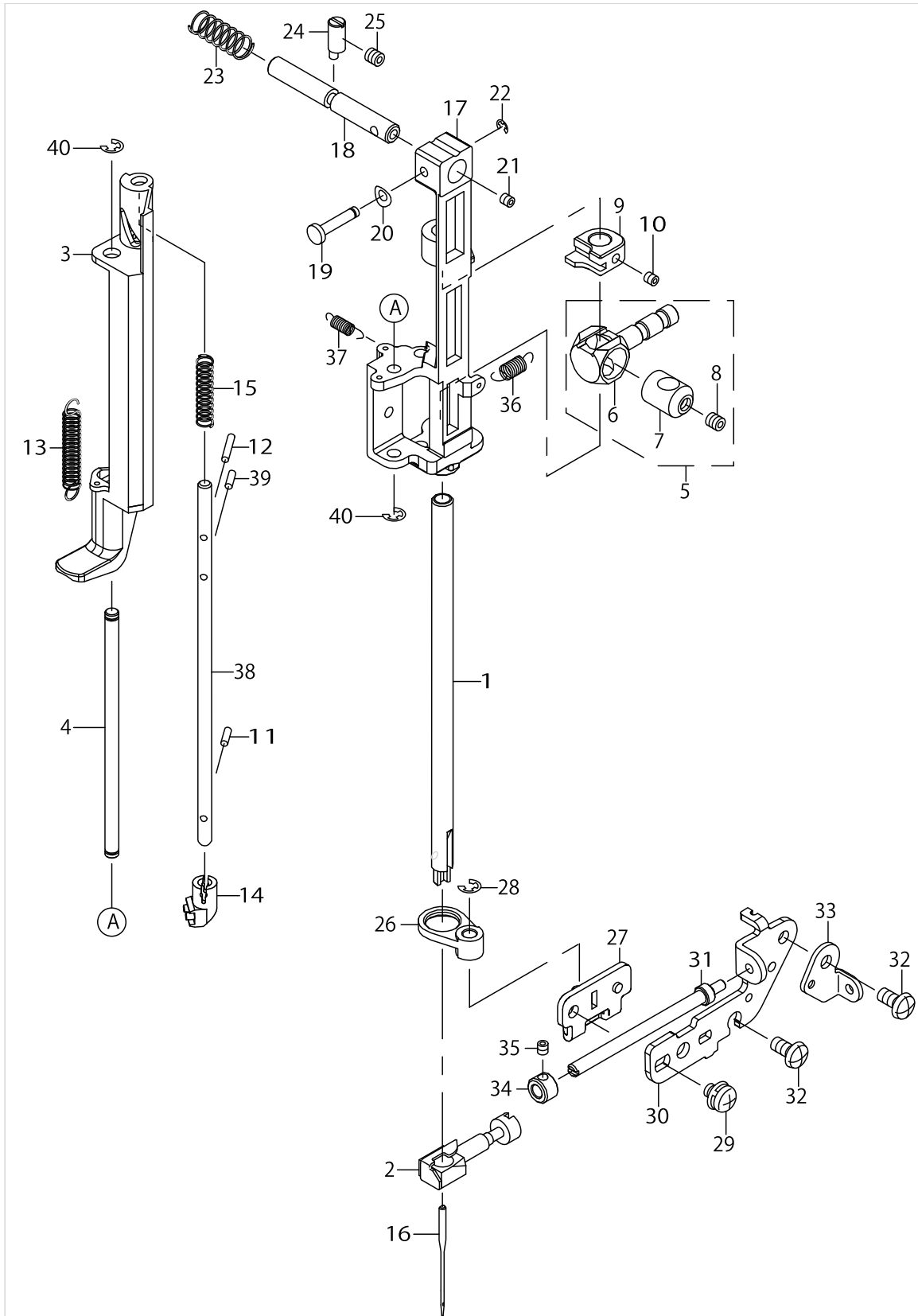
UPPER SHAFT & TAKE UP COMPONENTS



UPPER SHAFT & TAKE UP COMPONENTS

| No. | Supply Code | Parts No. | Replacement | Parts name | Remarks | Choice | Step | Level | Cons | Qty | Rep. QTY |
|-----|-------------|-------------|-------------|--------------------------|---------|--------|------|-------|------|-----|----------|
| 1 | | 40107901 | | UPPER SHAFT | | | | | | 1 | |
| 2 | | 40053484 | | COUNTER WEIGHT | | | | | | 1 | |
| 3 | R | PS0400222KP | PS0400222K0 | SPRING PIN | | | | | | 1 | 1.00 |
| 4 | | CS1000881TP | | THRUST COLLAR | | | | | | 1 | |
| 5 | | SM8050512TN | | SCREW M5 L=5 | | | | | | 2 | |
| 6 | | 40053493 | | DETECTOR SHIELD PLATE | | | | | | 1 | |
| 7 | | RO133170100 | | RUBBER RING | | | | | | 1 | |
| 8 | | 40055825 | | UPPER SHAFT PULLEY | | | | | | 1 | |
| 9 | | 40053469 | | MOTOR PULLEY PIN | | | | | | 1 | |
| 10 | | SM8030312TP | | SCREW M3 L=3 | | | | | | 1 | |
| 11 | | RE0800000K0 | | E-SHAPED SNAP RING (8MM) | | | | | | 2 | |
| 12 | | 40057983 | | MOTOR PULLEY | | | | | | 1 | |
| 13 | | 40053469 | | MOTOR PULLEY PIN | | | | | | 1 | |
| 14 | | SM8030312TP | | SCREW M3 L=3 | | | | | | 1 | |
| 15 | | RE0800000K0 | | E-SHAPED SNAP RING (8MM) | | | | | | 1 | |
| 16 | | 40053486 | | HAND WHEEL | | | | | | 1 | |
| 17 | | 40053469 | | MOTOR PULLEY PIN | | | | | | 1 | |
| 18 | | SM8030312TP | | SCREW M3 L=3 | | | | | | 1 | |
| 19 | | 40053487 | | NEEDLE BAR CRANK ROD | | | | | | 1 | |
| 20 | | 40057187 | | TAKE UP ASSY | | | | | | 1 | |
| 21 | | 40057188 | | NEEDLE BAR CRANK | | | | * | | 1 | |
| 22 | | 40057189 | | TAKE UP CRANK | | | | * | | 1 | |
| 23 | | 40057190 | | TAKE UP BODY ASSY | | | | * | | 1 | |
| 24 | | 40057194 | | TAKE UP SUPPORT SHAFT | | | | * | | 1 | |
| 25 | | RE0600000K0 | | E-RING 6 | | | | * | | 1 | |
| 26 | | RC0370411KP | | C-RING 4 (3.7) | | | | * | | 2 | |
| 27 | R | 40062518 | 40057187 | TAKE UP CLICK | | | | * | | 1 | 1.00 |
| 28 | | 40057384 | | TIMING BELT | | | | | | 1 | |
| 29 | | A1223010000 | | SPRING WASHER | | | | | | 1 | |
| 30 | | SM8050512TN | | SCREW M5 L=5 | | | | | | 2 | |
| 31 | | SM5041455SN | | SCREW | | | | | | 1 | |
| 32 | | 40053479 | | IDLER BRACKET ASSY | | | | | | 1 | |
| 33 | | 40056861 | | IDLER | | | | | | 1 | |
| 34 | | RE0400000K0 | | E-RING 4 | | | | | | 1 | |
| 35 | | SM5040855SN | | SCREW | | | | | | 1 | |

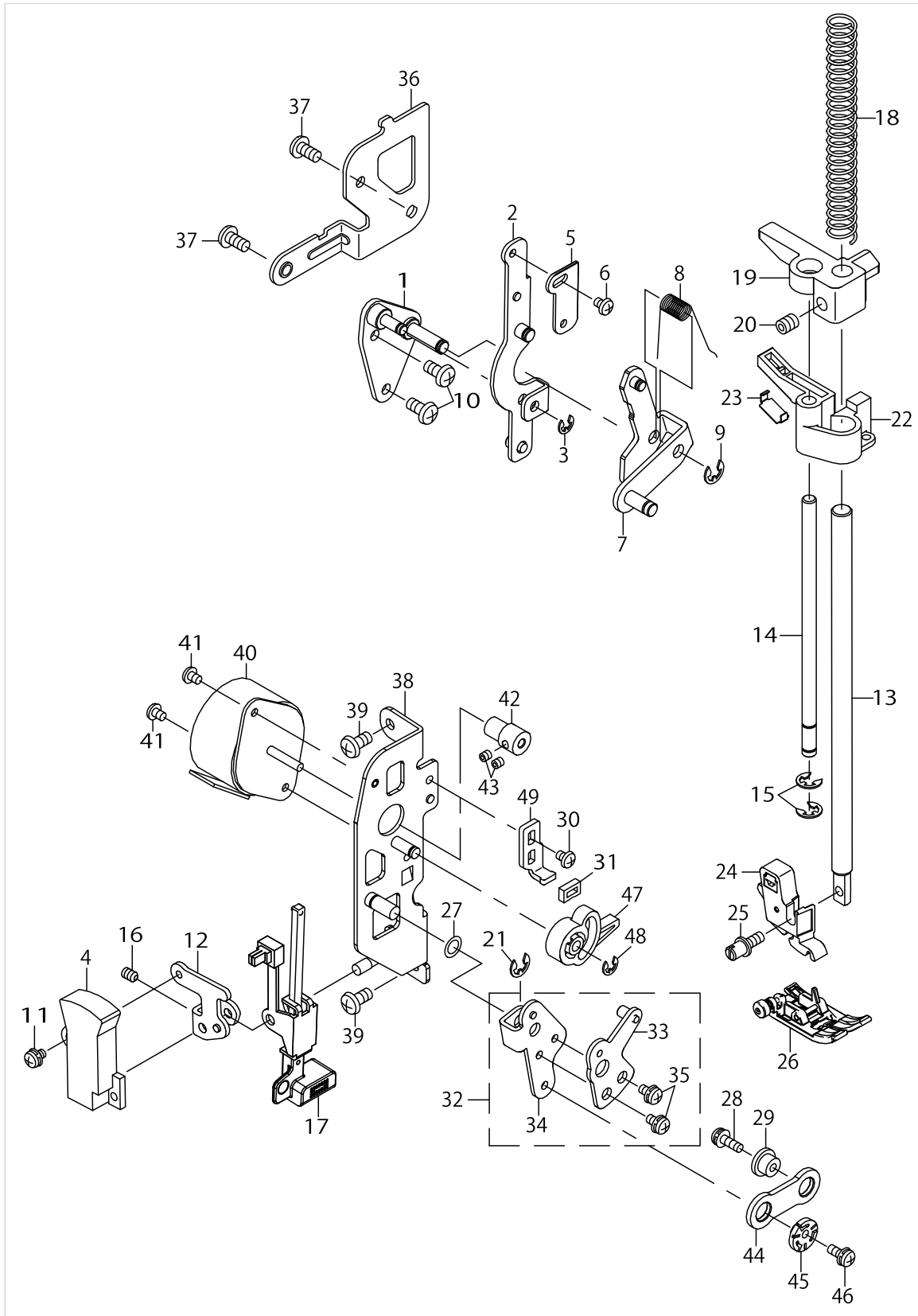
NEEDLE BAR & NEEDLE THREADER COMPONENTS



NEEDLE BAR & NEEDLE THREADER COMPONENTS

| No. | Supply Code | Parts No. | Replacement | Parts name | Remarks | Choice | Step | Level | Cons | Qty | Rep. QTY |
|-----|-------------|--------------|-------------|------------------------------|---------|--------|------|-------|------|-----|----------|
| 1 | | 40108579 | | ASSY NEEDLE BAR | | | | | | 1 | |
| 2 | | 40108574 | | ASSY NEEDLE CLAMP | | | | | | 1 | |
| 3 | | 40107606 | | TP LEVER | | | | | | 1 | |
| 4 | | 40107906 | | TP GUIDE SHAFT | | | | | | 1 | |
| 5 | | 40053490 | | ASSY NEEDLE BAR CONNECTION | | | | | | 1 | |
| 6 | R | 40053491 | 40053490 | NEEDLE BAR CONNECTION | | | | * | | 1 | 1.00 |
| 7 | | A1412010000 | | NEEDLE BAR CONNECTION INNER | | | | * | | 1 | |
| 8 | | SM8040412TP | | SET SCREW M4 L=4 | | | | * | | 1 | |
| 9 | | 40055819 | | TP NEEDLE BAR GUIDE | | | | | | 1 | |
| 10 | | SM8030312TP | | SCREW M3 L=3 | | | | | | 1 | |
| 11 | | PS0200082KP | | SPRING PIN TYPE W 2X8 | | | | | | 1 | |
| 12 | | 40055811 | | TP SHAFT PIN L | | | | | | 1 | |
| 13 | | 40108218 | | TP LEVER SPRING | | | | | | 1 | |
| 14 | | 40107612 | | TP HOOK HOLDER ASSY | | | | | | 1 | |
| 15 | | 40055827 | | TP SHAFT SPRING | | | | | | 1 | |
| 16 | | MHA100B1400 | | NEEDLE 130/705H#90 | | | | | | 1 | |
| 17 | | 40053496 | | NEEDLE BAR FRAME | | | | | | 1 | |
| 18 | | 40053497 | | NEEDLE BAR FRAME SHAFT | | | | | | 1 | |
| 19 | | 40107902 | | NB FRAME FULCRUM SHAFT | | | | | | 1 | |
| 20 | | WZ0320290UZ | | WASHER 3.2X6.5X0.15 | | | | | | 1 | |
| 21 | | SM8030312TP | | SCREW M3 L=3 | | | | | | 1 | |
| 22 | | RE0200000K0 | | E-RING 2 | | | | | | 1 | |
| 23 | | 40056970 | | NB FRAME SHAFT SPRING | | | | | | 1 | |
| 24 | | A1427010000A | | NB FRAME ADJUST SHAFT | | | | | | 1 | |
| 25 | | SM8040412TP | | SET SCREW M4 L=4 | | | | | | 1 | |
| 26 | | 40053516 | | NB FRAME CONTROL ARM | | | | | | 1 | |
| 27 | | 40053517 | | NB LATERAL ADJUST PLATE ASSY | | | | | | 1 | |
| 28 | | RE0300000K0 | | E-RING 3 | | | | | | 1 | |
| 29 | | SL4040691SC | | SCREW M4 L=6 | | | | | | 1 | |
| 30 | | 40107903 | | FACE PLATE FIXING PLATE | | | | | | 1 | |
| 31 | | 40062407 | | FACE COVER SHAFT | | | | | | 1 | |
| 32 | | SM5040855SN | | SCREW | | | | | | 2 | |
| 33 | | 40107904 | | FRONT PANEL BRACKET | | | | | | 1 | |
| 34 | | A1617030000 | | THRUST COLLAR | | | | | | 1 | |
| 35 | | SM8030312TP | | SCREW M3 L=3 | | | | | | 1 | |
| 36 | | 40056945 | | NEEDLE BAR FRAME SPRING | | | | | | 1 | |
| 37 | | 40071728 | | NEEDLE BAR FRAME SPRING L | | | | | | 1 | |
| 38 | | 40107905 | | TP SHAFT | | | | | | 1 | |
| 39 | | PS0200082KP | | SPRING PIN TYPE W 2X8 | | | | | | 1 | |
| 40 | | RE0300000K0 | | E-RING 3 | | | | | | 2 | |

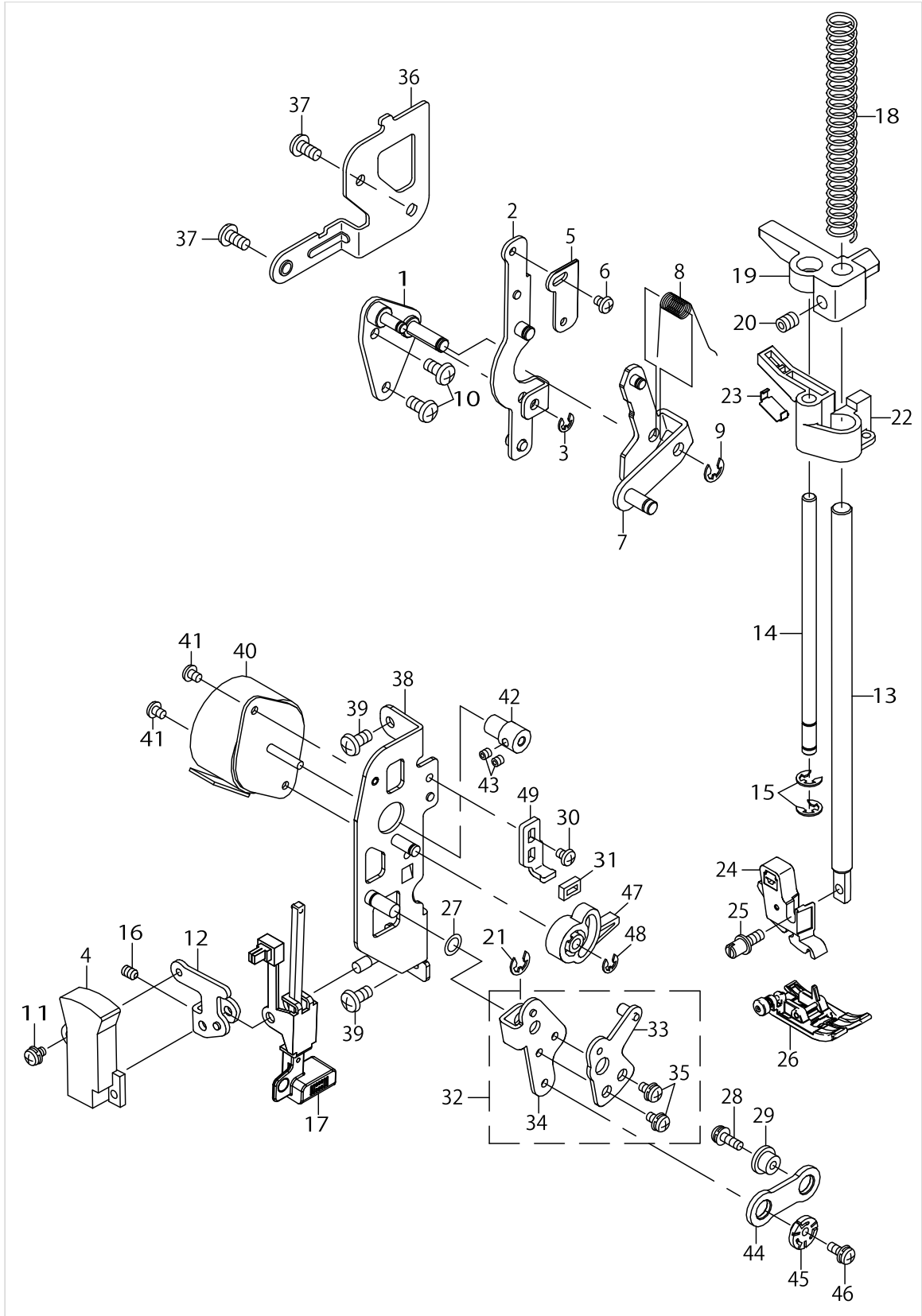
PRESSER MECHANISM & NEEDLE THROWING COMPONENTS



PRESSER MECHANISM & NEEDLE THROWING COMPONENTS

| No. | Supply Code | Parts No. | Replacement | Parts name | Remarks | Choice | Step | Level | Cons | Qty | Rep. QTY |
|-----|-------------|--------------|-------------|----------------------------|---------|--------|------|-------|------|-----|----------|
| 1 | | 40055391 | | TENSION RELEASE BASE ASSY | | | | | | 1 | |
| 2 | | 40055387 | | TENSION RELEASE PLATE ASSY | | | | | | 1 | |
| 3 | | RE0300000K0 | | E-RING 3 | | | | | | 1 | |
| 4 | | 40107476 | | ASSY BH SW | | | | | | 1 | |
| 5 | | 40055395 | | TR ADJUST PLATE | | | | | | 1 | |
| 6 | | SM5030455SN | | SCREW M3 L=4 | | | | | | 1 | |
| 7 | | 40055557 | | KNEE LIFTER PLATE ASSY | | | | | | 1 | |
| 8 | | 40056969 | | KNEE LIFTER PLATE SPRING | | | | | | 1 | |
| 9 | | RE0400000K0 | | E-RING 4 | | | | | | 1 | |
| 10 | | SM5040855SN | | SCREW | | | | | | 2 | |
| 11 | | SL5030531SF | | SCREW M3 L=5 | | | | | | 1 | |
| 12 | | 40107913 | | BH SW BRACKET | | | | | | 1 | |
| 13 | | 40055402 | | PRESSER BAR | | | | | | 1 | |
| 14 | | 40055403 | | PF GUIDE BAR | | | | | | 1 | |
| 15 | | RE0400000K0 | | E-RING 4 | | | | | | 2 | |
| 16 | | SM8040602TP | | SCREW M4X0.7 L=6 | | | | | | 1 | |
| 17 | | 40107614 | | ASSY BH SWITCHING PLATE | | | | | | 1 | |
| 18 | | 40108219 | | PRESSER SPRING | | | | | | 1 | |
| 19 | | 40055406 | | PRESSER BAR GUIDE | | | | | | 1 | |
| 20 | | SM8050602TP | | SCREW M5 L=6 | | | | | | 1 | |
| 21 | | RE0400000K0 | | E-RING 4 | | | | | | 1 | |
| 22 | | 40061618 | | PRESSER BLOCK | | | | | | 1 | |
| 23 | | 40064224 | | PRESSER BLOCK PLATE | | | | | | 1 | |
| 24 | | 40056529 | | ASSY PRESSER FOOT HOLDER | | | | | | 1 | |
| 25 | | 123010006074 | | SCREW | | | | | | 1 | |
| 26 | | 40057923 | | ASSY STANDARD PRESSER FOOT | | | | | | 1 | |
| 27 | | WP0520516RZ | | WASHER | | | | | | 1 | |
| 28 | | SL4031091SC | | SCREW M3 L=10 | | | | | | 1 | |
| 29 | | 40062144 | | ROCKING ROD BUSH | | | | | | 1 | |
| 30 | | SM5030455SN | | SCREW M3 L=4 | | | | | | 1 | |
| 31 | | A1646010000 | | RETRIEVAL RUBBER | | | | | | 1 | |
| 32 | | 40066231 | | ASSY NEEDLE THROWING ARM | | | | | | 1 | |
| 33 | | 40053506 | | NEEDLE THROWING ARM ASSY | | | | * | | 1 | |
| 34 | | 40066198 | | NEEDLE THROWING ADJUST ARM | | | | * | | 1 | |
| 35 | | SL4030691SC | | SCREW M3 L=6 | | | | * | | 2 | |
| 36 | | 40107907 | | REAR PANEL BRACKET | | | | | | 1 | |
| 37 | | SM5040855SN | | SCREW | | | | | | 2 | |
| 38 | | 40107908 | | NT STM BASE ASSY | | | | | | 1 | |
| 39 | | SM5040855SN | | SCREW | | | | | | 2 | |
| 40 | | 40056557 | | ASSY NT STM | | | | | | 1 | |
| 41 | | SM5030455SN | | SCREW M3 L=4 | | | | | | 2 | |
| 42 | | 40070288 | | NT STM GEAR | | | | | | 1 | |
| 43 | | SM8030312TP | | SCREW M3 L=3 | | | | | | 2 | |
| 44 | | 40053499 | | ROCKING ROD | | | | | | 1 | |
| 45 | | A1456008000A | | LEAN CENTER SHAFT | | | | | | 1 | |
| 46 | | SL4030891SC | | SCREW M3X8 | | | | | | 1 | |

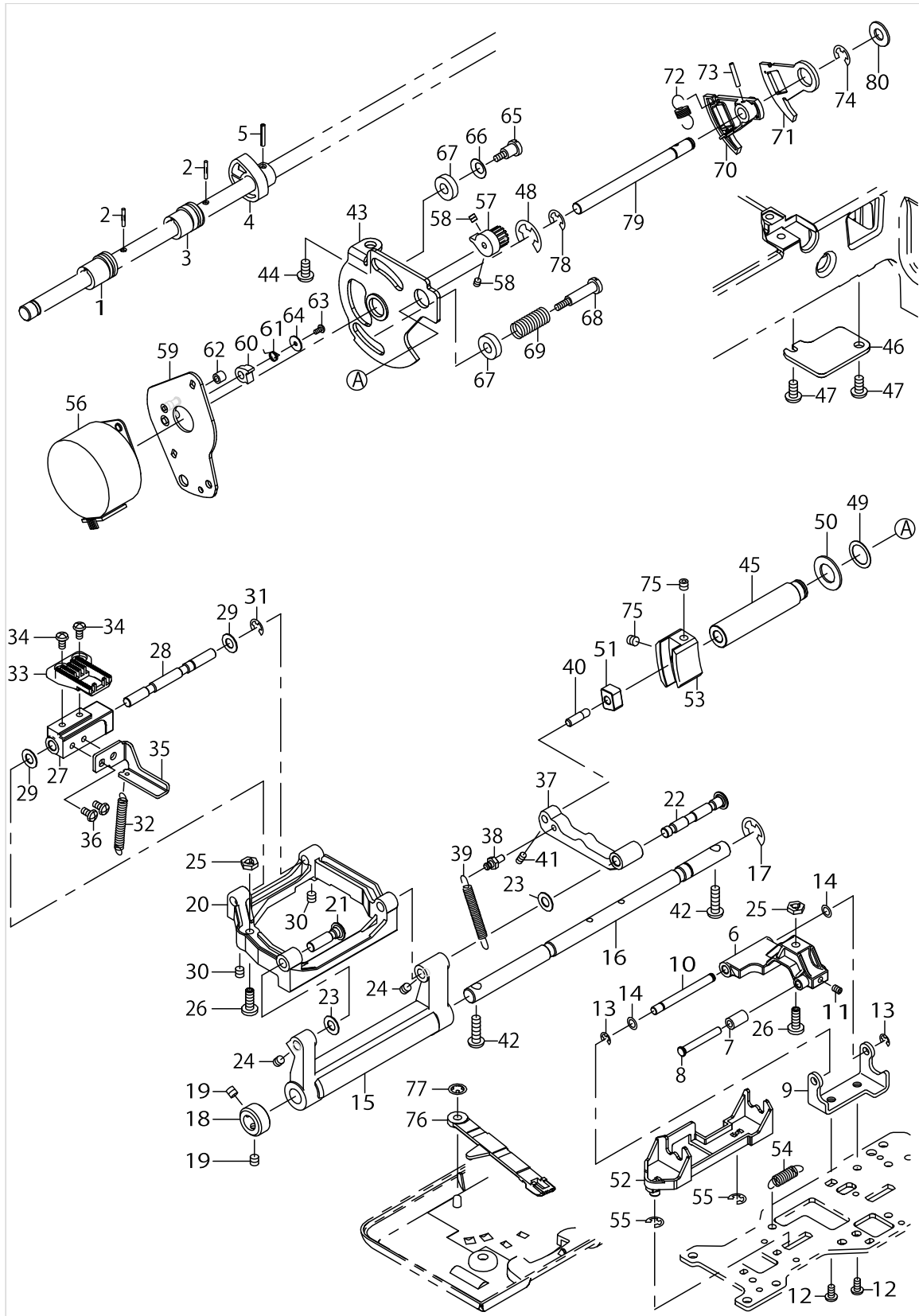
PRESSER MECHANISM & NEEDLE THROWING COMPONENTS



PRESSER MECHANISM & NEEDLE THROWING COMPONENTS

| No. | Supply Code | Parts No. | Replacement | Parts name | Remarks | Choice | Step | Level | Cons | Qty | Rep. QTY |
|-----|-------------|-------------|-------------|----------------------|---------|--------|------|-------|------|-----|----------|
| 47 | | 40053505 | | NEEDLE THROWING GEAR | | | | | | 1 | |
| 48 | | RE0400000K0 | | E-RING 4 | | | | | | 1 | |
| 49 | | 40055676 | | NT STM STOPPER | | | | | | 1 | |

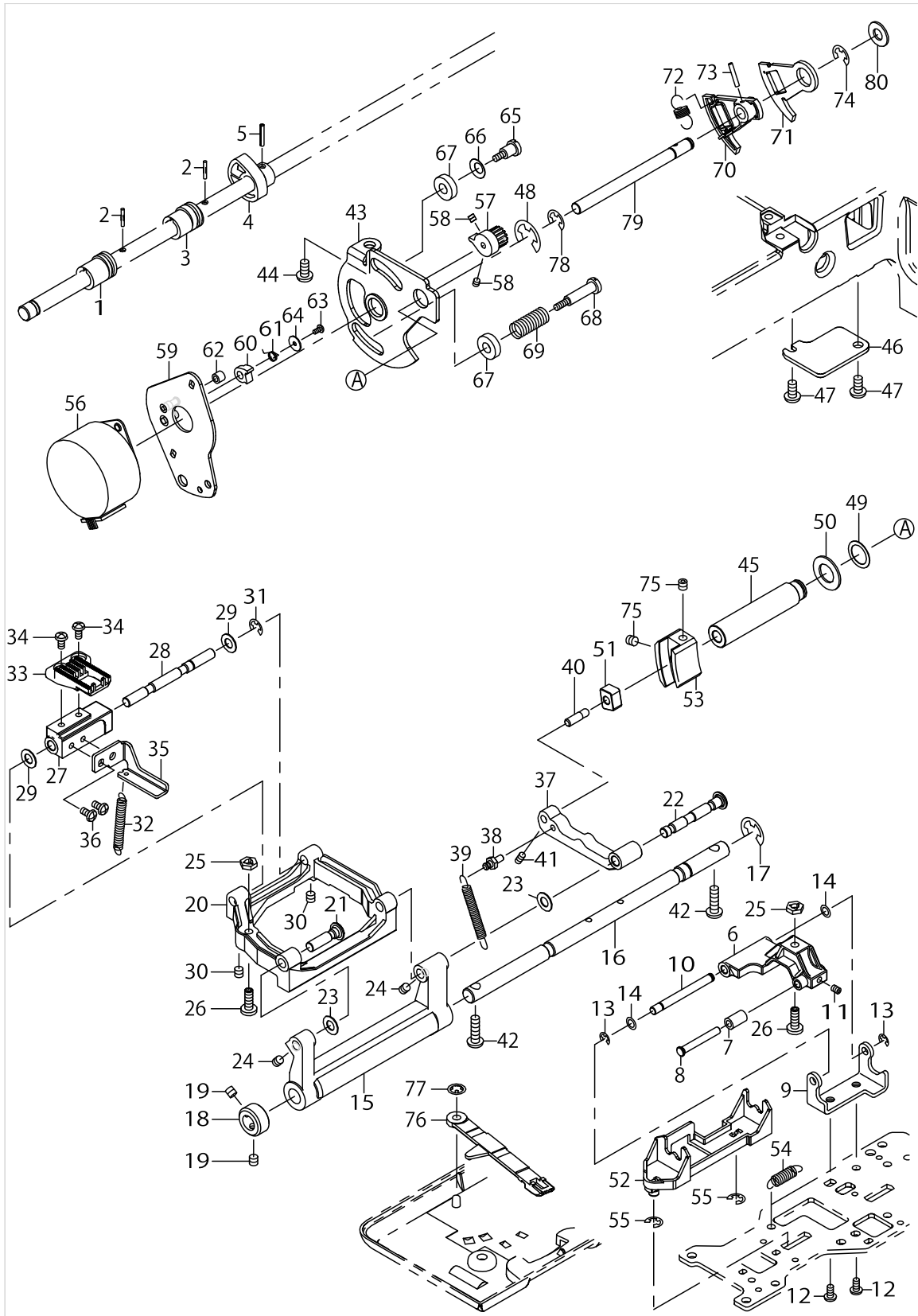
FEED MECHANISM COMPONENTS



FEED MECHANISM COMPONENTS

| No. | Supply Code | Parts No. | Replacement | Parts name | Remarks | Choice | Step | Level | Cons | Qty | Rep. QTY |
|-----|-------------|--------------|-------------|----------------------------|---------|--------|------|-------|------|-----|----------|
| 1 | | 40055496 | | VERTICAL FEED CAM | | | | | | 1 | |
| 2 | | PS0200082KP | | SPRING PIN TYPE W 2X8 | | | | | | 2 | |
| 3 | | 40055499 | | VF ASSIST CAM | | | | | | 1 | |
| 4 | | 40055504 | | HORIZONTAL FEED CAM | | | | | | 1 | |
| 5 | | PS0200122KP | | SPRING PIN TYPE W 2X12 | | | | | | 1 | |
| 6 | | 40071970 | | CORRECTION ARM | | | | | | 1 | |
| 7 | | 40071971 | | CORRECTION ROLLER | | | | | | 1 | |
| 8 | | 40071972 | | CORRECTION ROLLER SHAFT | | | | | | 1 | |
| 9 | | 40071973 | | CORRECTION ARM BASE | | | | | | 1 | |
| 10 | | 40107914 | | CORRECTION ARM SHAFT | | | | | | 1 | |
| 11 | | SM8030612TP | | SET SCREW | | | | | | 1 | |
| 12 | | SM5030655SN | | SCREW M3X0.5 L=6 | | | | | | 2 | |
| 13 | | RE0300000K0 | | E-RING 3 | | | | | | 2 | |
| 14 | R | WP0410516RZ | WP0410846SC | WASHER | | | | | | 2 | 1.00 |
| 15 | | 40055505 | | HF ROCKER ARM | | | | | | 1 | |
| 16 | | 40107915 | | HF ROCKER ARM SHAFT | | | | | | 1 | |
| 17 | | RE0700000K0 | | E-RING 7 | | | | | | 1 | |
| 18 | | A1203030000 | | THRUST COLLAR | | | | | | 1 | |
| 19 | | SM8040412TP | | SET SCREW M4 L=4 | | | | | | 2 | |
| 20 | | 40055513 | | FEED BAR | | | | | | 1 | |
| 21 | | 40107916 | | FEED BAR SHAFT L | | | | | | 1 | |
| 22 | | 40055507 | | FEED BAR SHAFT R | | | | | | 1 | |
| 23 | | WP0520516RZ | | WASHER | | | | | | 2 | |
| 24 | | SM8040412TP | | SET SCREW M4 L=4 | | | | | | 2 | |
| 25 | | 174804008000 | | NUT | | | | | | 2 | |
| 26 | | 40107917 | | VF ADJUST SHAFT | | | | | | 2 | |
| 27 | | 40055502 | | ASSIST FEED BAR | | | | | | 1 | |
| 28 | | 40107918 | | ASSIST FEED BAR SHAFT | | | | | | 1 | |
| 29 | | WP0520516RZ | | WASHER | | | | | | 2 | |
| 30 | | SM8040412TP | | SET SCREW M4 L=4 | | | | | | 2 | |
| 31 | | RE0400000K0 | | E-RING 4 | | | | | | 1 | |
| 32 | | 40055501 | | FEED BAR SPRING | | | | | | 1 | |
| 33 | | 40107919 | | FEED DOG | | | | | | 1 | |
| 34 | | SM5030655SN | | SCREW M3X0.5 L=6 | | | | | | 2 | |
| 35 | | 40071969 | | CORRECTION PLATE | | | | | | 1 | |
| 36 | | SM5030655SN | | SCREW M3X0.5 L=6 | | | | | | 2 | |
| 37 | | 40060607 | | HORIZONTAL FEED ARM | | | | | | 1 | |
| 38 | | 40056010 | | HF ARM SPRING PIN | | | | | | 1 | |
| 39 | | 40055517 | | HORIZONTAL FEED ARM SPRING | | | | | | 1 | |
| 40 | | A1624010000 | | SLIDE BLOCK SHAFT | | | | | | 1 | |
| 41 | | SM8030612TP | | SET SCREW | | | | | | 1 | |
| 42 | | SM5041455SN | | SCREW | | | | | | 2 | |
| 43 | | 40107921 | | FEED STM FIXING PLATE | | | | | | 1 | |
| 44 | | SM5040855SN | | SCREW | | | | | | 1 | |
| 45 | | 40055520 | | FEED REGULATOR BUSHING | | | | | | 1 | |
| 46 | | 40055519 | | FR BUSHING CLAMP PLATE | | | | | | 1 | |

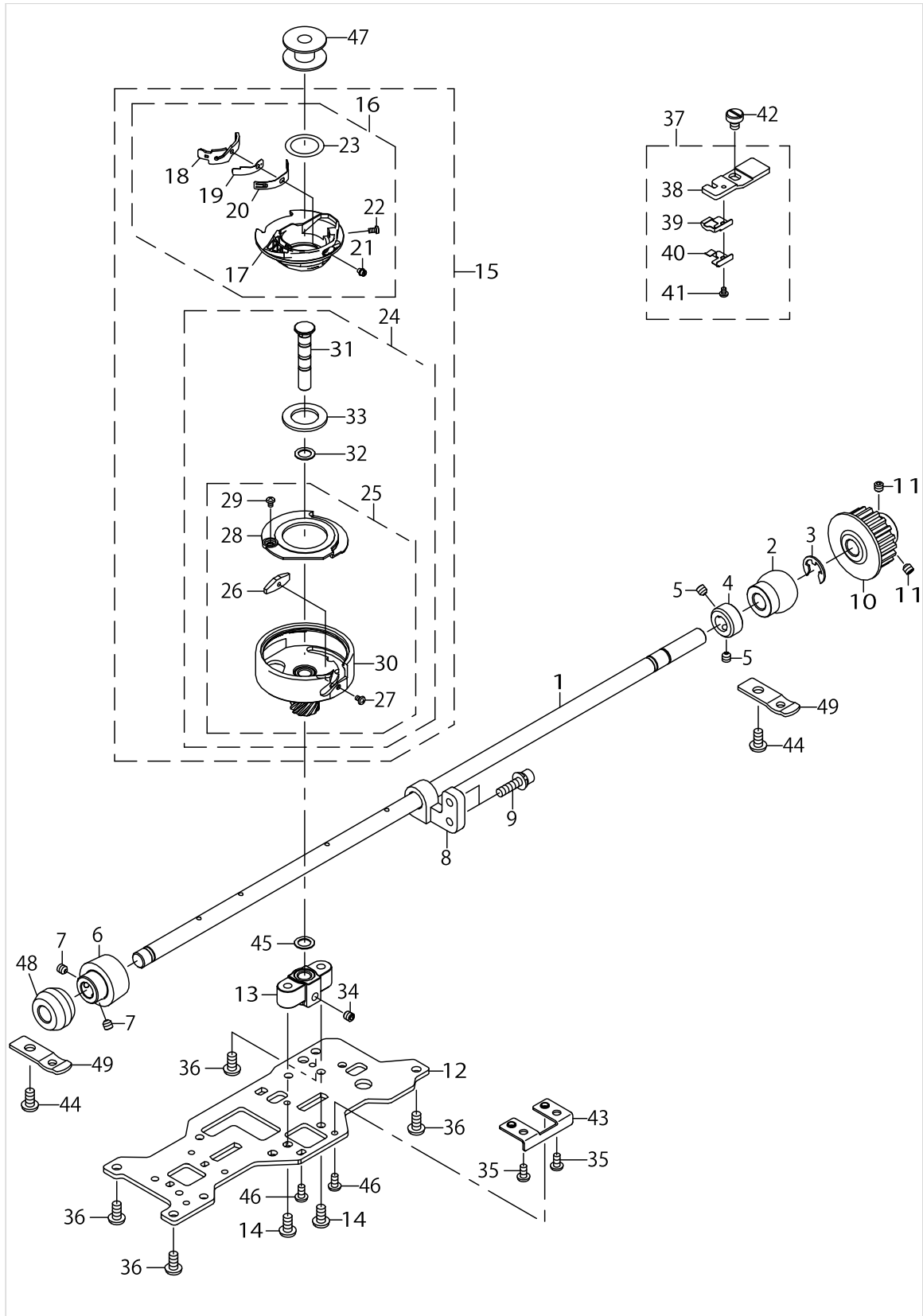
FEED MECHANISM COMPONENTS



FEED MECHANISM COMPONENTS

| No. | Supply Code | Parts No. | Replacement | Parts name | Remarks | Choice | Step | Level | Cons | Qty | Rep. QTY |
|-----|-------------|--------------|-------------|---------------------------|---------|--------|------|-------|------|-----|----------|
| 47 | | SM5040855SN | | SCREW | | | | | | 2 | |
| 48 | | RE0800000K0 | | E-SHAPED SNAP RING (8MM) | | | | | | 1 | |
| 49 | | WZ1052010KP | | WAVED WASHER | | | | | | 1 | |
| 50 | | WP1021016SD | | WASHER | | | | | | 1 | |
| 51 | | 40055524 | | FEED REGULATOR BLOCK | | | | | | 1 | |
| 52 | | 40057335 | | DF WORKING BODY | | | | | | 1 | |
| 53 | | 40055522 | | FEED REGULATOR | | | | | | 1 | |
| 54 | | 40066691 | | DF RETURN SPRING | | | | | | 1 | |
| 55 | | RE0400000K0 | | E-RING 4 | | | | | | 2 | |
| 56 | | 40056558 | | ASSY FD STM | | | | | | 1 | |
| 57 | | 40055530 | | FEED STM GEAR | | | | | | 1 | |
| 58 | | SM8030312TP | | SCREW M3 L=3 | | | | | | 2 | |
| 59 | | 40107924 | | FEED ADJUSTING PLATE ASSY | | | | | | 1 | |
| 60 | | 40055531 | | FEED STOPPER LEVER | | | | | | 1 | |
| 61 | | 40055532 | | FEED STOPPER SPRING | | | | | | 1 | |
| 62 | | 40055533 | | ORIGIN DETECTING RUBBER | | | | | | 1 | |
| 63 | | SM4020401SC | | SCREW M2 L=4 | | | | | | 1 | |
| 64 | | WP0210516SD | | PLAIN WASHER 2.1X8X0.5 | | | | | | 1 | |
| 65 | | A1650008000A | | STAGE SCREW A | | | | | | 1 | |
| 66 | | A2110700000 | | SPRING WASHER | | | | | | 1 | |
| 67 | | 40055539 | | FEED STM WASHER | | | | | | 2 | |
| 68 | | A1651008000 | | STAGE SCREW A | | | | | | 1 | |
| 69 | | A1658008000 | | SPRING | | | | | | 1 | |
| 70 | | 40055526 | | FEED REGULATOR GEAR A | | | | | | 1 | |
| 71 | | 40055527 | | FEED REGULATOR GEAR B | | | | | | 1 | |
| 72 | | 40055528 | | FR GEAR SPRING | | | | | | 1 | |
| 73 | | PS0200122KP | | SPRING PIN TYPE W 2X12 | | | | | | 1 | |
| 74 | | RE0500000K0 | | E-RING | | | | | | 1 | |
| 75 | | SM8040412TP | | SET SCREW M4 L=4 | | | | | | 2 | |
| 76 | | 40057334 | | DF LEVER | | | | | | 1 | |
| 77 | | A3205555A00 | | LOCKNUT | | | | | | 1 | |
| 78 | | RE0500000K0 | | E-RING | | | | | | 1 | |
| 79 | | 40055521 | | FEED_REGULATOR_SHAFT | | | | | | 1 | |
| 80 | | WP0621016SD | | WASHER 6.2X13X1 | | | | | | 1 | |

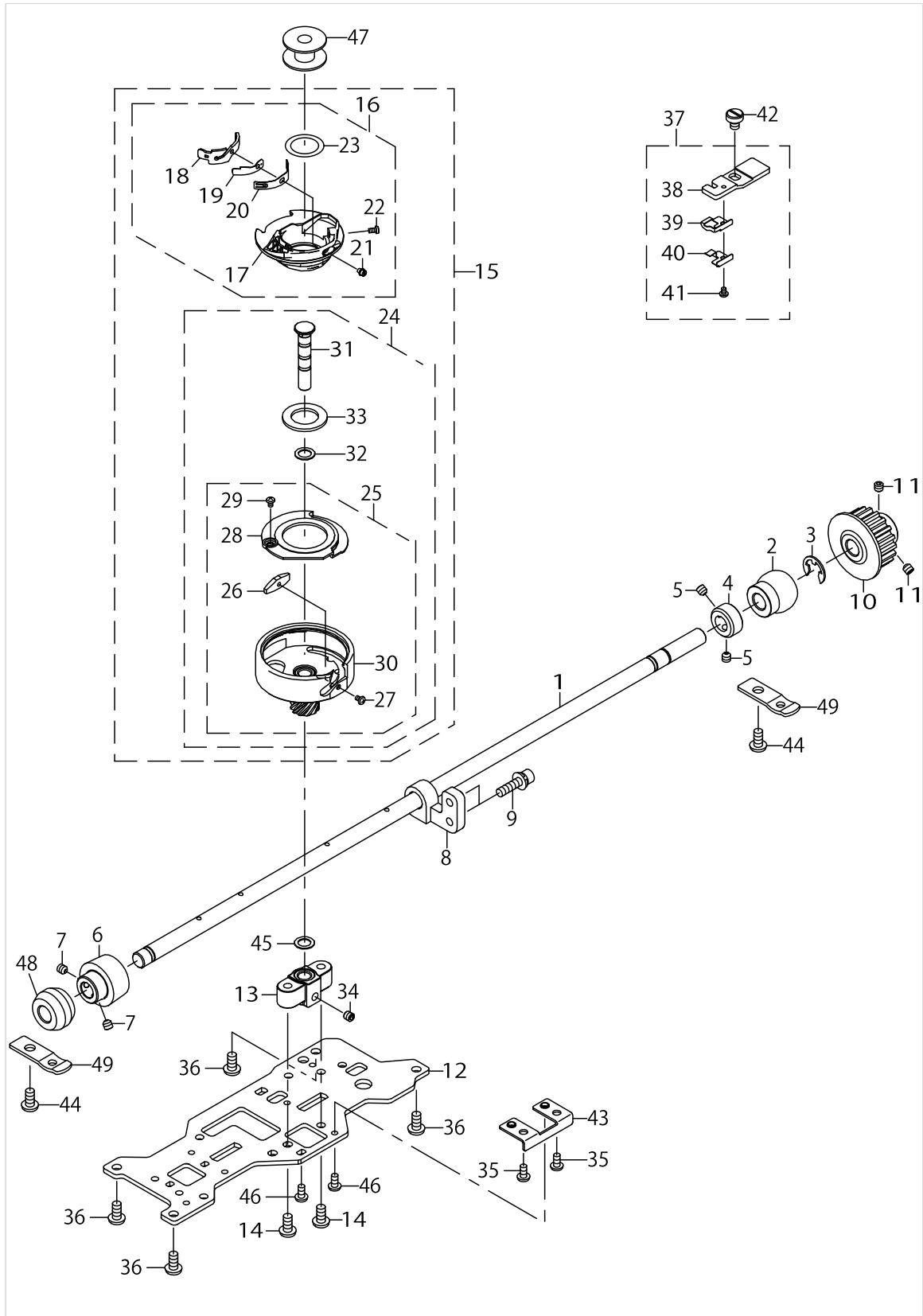
LOWER SHAFT & HOOK COMPONENTS



LOWER SHAFT & HOOK COMPONENTS

| No. | Supply Code | Parts No. | Replacement | Parts name | Remarks | Choice | Step | Level | Cons | Qty | Rep. QTY |
|-----|-------------|-------------|--------------|----------------------------------|---------|--------|--------------------------------|-------|------|-----|----------|
| 1 | | 40107929 | | LOWER SHAFT | | | | | | 1 | |
| 2 | | A1810E60000 | | LOWER SHAFT WELT BEARING | | | | | | 1 | |
| 3 | | RE0700000K0 | | E-RING 7 | | | | | | 1 | |
| 4 | | A1203030000 | | THRUST COLLAR | | | | | | 1 | |
| 5 | | SM8040412TP | | SET SCREW M4 L=4 | | | | | | 2 | |
| 6 | | 40099886 | | HOOK DRIVING GEAR | | | | | | 1 | |
| 7 | | SM8040412TP | | SET SCREW M4 L=4 | | | | | | 2 | |
| 8 | | 40053495 | | LOWER SHAFT SUPPORT | | | | | | 1 | |
| 9 | | SL6041692TN | | SCREW | | | | | | 2 | |
| 10 | | 40055826 | | LOWER SHAFT PULLEY | | | | | | 1 | |
| 11 | | SM8040412TP | | SET SCREW M4 L=4 | | | | | | 2 | |
| 12 | | 40056604 | | HOOK BRACKET | | | | | | 1 | |
| 13 | | 40053456 | | HOOK DRIVING SHAFT BASE | | | | | | 1 | |
| 14 | | SM5040855SN | | SCREW | | | | | | 2 | |
| 15 | | 40081293 | | ALL ASSY HOOK | | | | | | 1 | |
| 16 | | 40079614 | | ALL ASSY BOBBIN CASE | | | | * | | 1 | |
| 17 | R | 40058626 | 40080420 | BOBBIN CASE MATERIAL | | | | * | | 1 | 1.00 |
| 18 | | 40060608 | | BOBBIN CASE THREAD GUIDE | | | | * | | 1 | |
| 19 | | A1840009000 | | LOWER THREAD ADJUSTING SPRING A | | | | * | | 1 | |
| 20 | | A1841S56000 | | LOWER THREAD ADJUSTING SPRING B | | | | * | | 1 | |
| 21 | | A1843030000 | | LOWER THREAD ADJUSTING SCREW | | | | * | | 1 | |
| 22 | | A1844030000 | | BOBBIN CASE THREADED GUIDE SCREW | | | | * | | 1 | |
| 23 | | 40079424 | | BOBINN SPIN STOP SHEET | | | | * | | 1 | |
| 24 | | A1830E800C0 | | HOOK ASM. | | | | * | | 1 | |
| 25 | | A1830E800B0 | | HOOK ASM. | | | | * | | 1 | |
| 26 | | A1832008000 | | HOOK NEEDLE GUARD | | | | * | | 1 | |
| 27 | | SM5020301SC | | SCREW M2 L=3 | | | | * | | 1 | |
| 28 | | A1831031000 | | HOOK BASE PLATE | | | | * | | 1 | |
| 29 | | SM5020301SC | | SCREW M2 L=3 | | | | * | | 1 | |
| 30 | R | A18300310A0 | A1830T750D0A | HOOK ASM. | | A | HZL-TSeries | * | | 1 | 1.00 |
| 30 | R | A18300310A0 | A1830E800C0 | HOOK ASM. | | B | HZL-Tシリーズ以外/Except HZL-TSeries | * | | 1 | 1.00 |
| 31 | | A18090310A0 | | HOOK SHAFT ASM. | | | | * | | 1 | |
| 32 | | WP0620516RZ | | WASHER 6.2X9.5X0.5 | | | | * | | 1 | |
| 33 | | A1833E50000 | | FELIGHT MAGNET | | | | * | | 1 | |
| 34 | | SM8040412TP | | SET SCREW M4 L=4 | | | | | | 1 | |
| 35 | | SM5030655SN | | SCREW M3X0.5 L=6 | | | | | | 2 | |
| 36 | | SM5040855SN | | SCREW | | | | | | 4 | |
| 37 | | 40064997 | | ASSY BOBBIN CASE STOPPER | | | | | | 1 | |
| 38 | | 40053454 | | BOBBIN CASE STOPPER PLATE | | | | * | | 1 | |
| 39 | | 40056975 | | BOBBIN CASE STOPPER SPRING | | | | * | | 1 | |
| 40 | | 40056976 | | STOPPER SPRING SUPPORT | | | | * | | 1 | |
| 41 | | SM5020301SC | | SCREW M2 L=3 | | | | * | | 1 | |
| 42 | | A1138335000 | | THROAT PLATE SETSCREW | | | | | | 1 | |
| 43 | | 40076508 | | HOOK BRACKET SUPPORT | | | | | | 1 | |

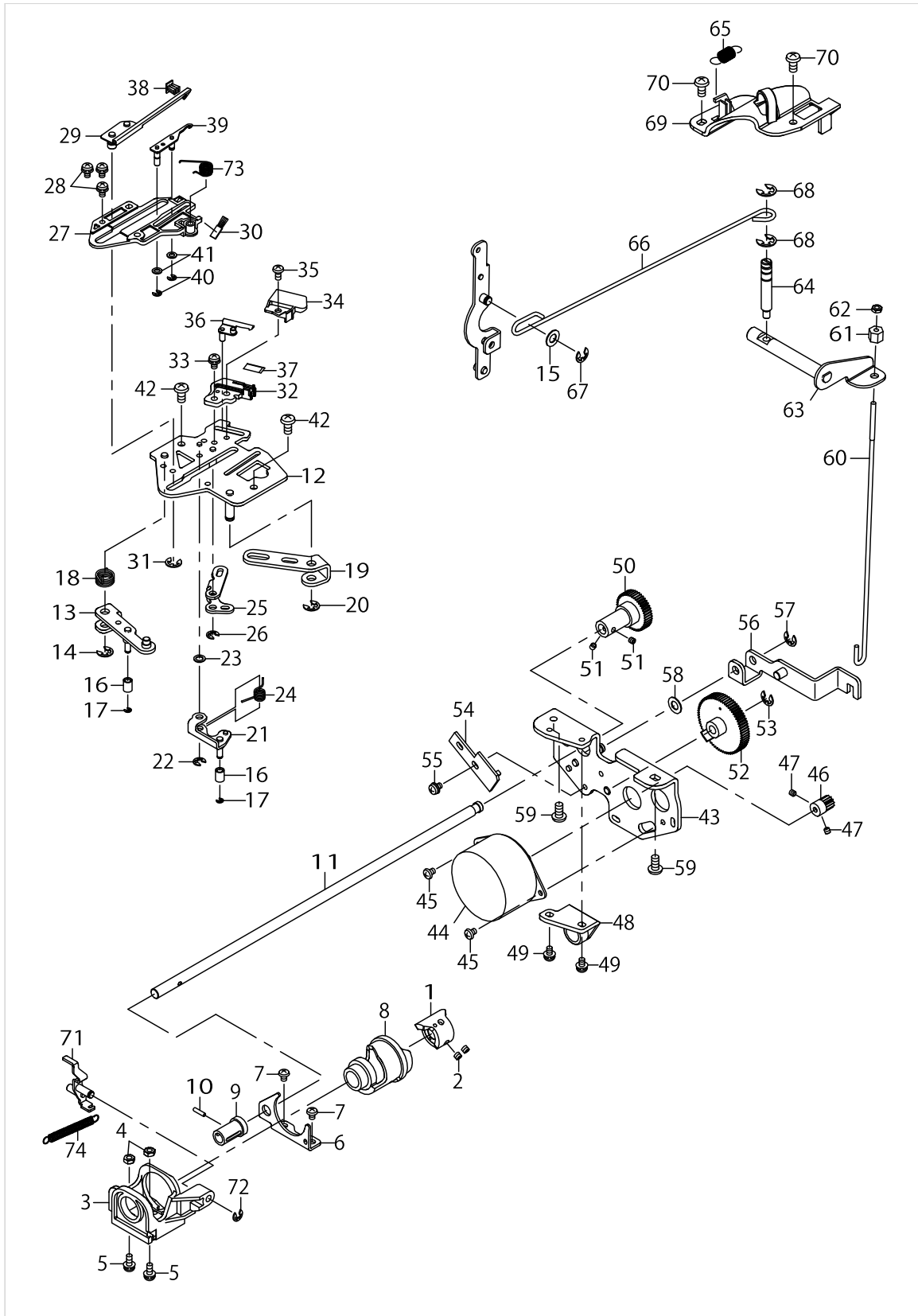
LOWER SHAFT & HOOK COMPONENTS



LOWER SHAFT & HOOK COMPONENTS

| No. | Supply Code | Parts No. | Replacement | Parts name | Remarks | Choice | Step | Level | Cons | Qty | Rep. QTY |
|-----|-------------|--------------|-------------|--------------------------------|---------|--------|------|-------|------|-----|----------|
| 44 | | SM5040855SN | | SCREW | | | | | | 2 | |
| 45 | | WP0620516RZ | | WASHER 6.2X9.5X0.5 | | | | | | 1 | |
| 46 | | SM5030655SN | | SCREW M3X0.5 L=6 | | | | | | 2 | |
| 47 | | 001141000000 | | BOBBIN | | | | | | 1 | |
| 48 | | 041207008000 | | LOWER SHAFT WELT BEARING | | | | | | 1 | |
| 49 | | 021112002000 | | LOWER SHAFT WELT BEARING PLATE | | | | | | 2 | |

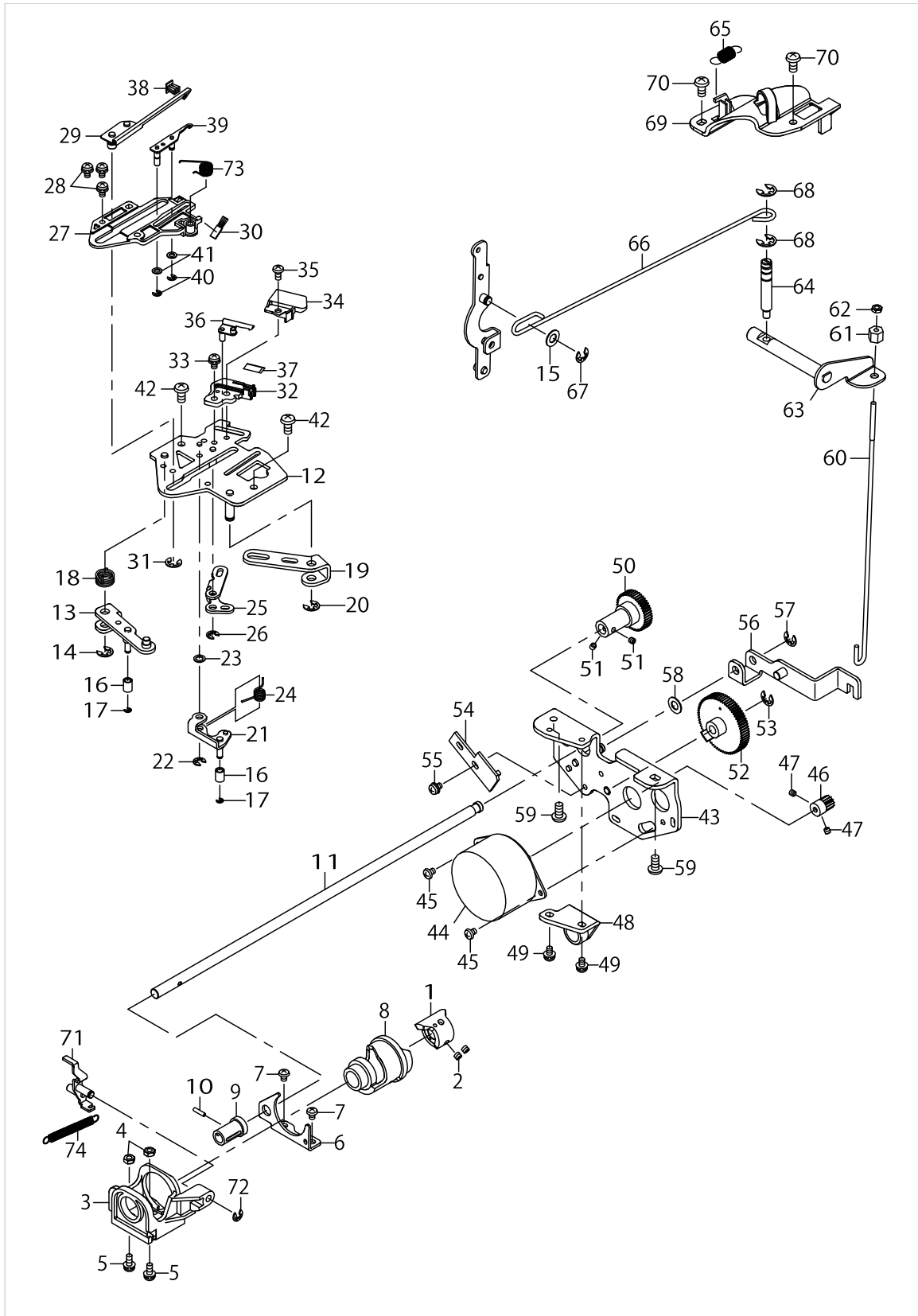
THREAD TRIMMER COMPONENTS (FOR G210)



THREAD TRIMMER COMPONENTS (FOR G210)

| No. | Supply Code | Parts No. | Replacement | Parts name | Remarks | Choice | Step | Level | Cons | Qty | Rep. QTY |
|-----|-------------|-------------|-------------|-----------------------------|---------|--------|------|-------|------|-----|----------|
| 1 | R | 40053580 | 40136004 | THREAD TRIMMER CAM | | A | | | | 1 | 1.00 |
| 1 | R | 40053580 | 40172306 | THREAD TRIMMER CAM | | | | | | 1 | 1.00 |
| 2 | | SM8030312TP | | SCREW M3 L=3 | | | | | | 2 | |
| 3 | | 40065718 | | DRIVING CAM HOLDER | | | | | | 1 | |
| 4 | | NM6030002SF | | NUT M3 | | | | | | 2 | |
| 5 | | SL4030891SC | | SCREW M3X8 | | | | | | 2 | |
| 6 | | 40053581 | | DRIVING CAM BRACKET R | | | | | | 1 | |
| 7 | | SM5030655SN | | SCREW M3X0.5 L=6 | | | | | | 2 | |
| 8 | R | 40053583 | 40136004 | CATCHER DRIVING CAM | | A | | | | 1 | 1.00 |
| 8 | R | 40053583 | 40172306 | CATCHER DRIVING CAM | | | | | | 1 | 1.00 |
| 9 | | 40053586 | | CAM DRIVING GEAR L | | | | | | 1 | |
| 10 | | PS0200082KP | | SPRING PIN TYPE W 2X8 | | | | | | 1 | |
| 11 | | 40053587 | | CAM DRIVING SHAFT | | | | | | 1 | |
| 12 | R | 40053592 | 40136008 | TT MECHANISM BASE ASSY | | A | | | | 1 | 1.00 |
| 12 | R | 40053592 | 40136009 | TT MECHANISM BASE ASSY | | A | | | | 1 | 1.00 |
| 12 | R | 40053592 | 40135998 | TT MECHANISM BASE ASSY | | A | | | | 1 | 1.00 |
| 12 | R | 40053592 | 40136007 | TT MECHANISM BASE ASSY | | A | | | | 1 | 1.00 |
| 12 | R | 40053592 | 40136005 | TT MECHANISM BASE ASSY | | A | | | | 1 | 1.00 |
| 13 | R | 40053598 | 40182529 | CATCHER WORKING LINK ASSY | | | | | | 1 | 1.00 |
| 14 | | RE0400000K0 | | E-RING 4 | | | | | | 1 | |
| 15 | | WP0520516RZ | | WASHER | | | | | | 1 | |
| 16 | | 40053602 | | LINK SHAFT ROLLER | | | | | | 2 | |
| 17 | | RE0150000K0 | | SNAP RING 1.5 | | | | | | 2 | |
| 18 | | 40053610 | | CATCHER WORKING LINK SPRING | | | | | | 1 | |
| 19 | | 40053603 | | CATCHER LINK | | | | | | 1 | |
| 20 | | RE0400000K0 | | E-RING 4 | | | | | | 1 | |
| 21 | R | 40053612 | 40182531 | TT DRIVING LINK ASSY | | | | | | 1 | 1.00 |
| 22 | | RE0300000K0 | | E-RING 3 | | | | | | 1 | |
| 23 | R | WP0410516RZ | WP0410846SC | WASHER | | | | | | 1 | 1.00 |
| 24 | | 40053611 | | TT DRIVING LINK SPRING | | | | | | 1 | |
| 25 | | 40053616 | | THREAD TRIMMER LINK | | | | | | 1 | |
| 26 | | RE0300000K0 | | E-RING 3 | | | | | | 1 | |
| 27 | R | 40053608 | 40136007 | THREAD CATCH GUIDE | | A | | | | 1 | 1.00 |
| 27 | R | 40053608 | 40135998 | THREAD CATCH GUIDE | | A | | | | 1 | 1.00 |
| 27 | R | 40053608 | 40136008 | THREAD CATCH GUIDE | | A | | | | 1 | 1.00 |
| 27 | R | 40053608 | 40136009 | THREAD CATCH GUIDE | | A | | | | 1 | 1.00 |
| 27 | R | 40053608 | 40136005 | THREAD CATCH GUIDE | | A | | | | 1 | 1.00 |
| 28 | | SL4030691SC | | SCREW M3 L=6 | | | | | | 3 | |
| 29 | | 40053604 | | CATCHER ASSY | | | | | | 1 | |
| 30 | | A3187010000 | | NEEDLE BAR FRAME BRUSH | | | | | | 1 | |
| 31 | | RE0400000K0 | | E-RING 4 | | | | | | 1 | |
| 32 | R | 40053624 | 40136005 | TT CUTTER BASE | | A | | | | 1 | 1.00 |
| 32 | R | 40053624 | 40136007 | TT CUTTER BASE | | A | | | | 1 | 1.00 |
| 32 | R | 40053624 | 40136008 | TT CUTTER BASE | | A | | | | 1 | 1.00 |
| 32 | R | 40053624 | 40136009 | TT CUTTER BASE | | A | | | | 1 | 1.00 |
| 32 | R | 40053624 | 40135998 | TT CUTTER BASE | | A | | | | 1 | 1.00 |

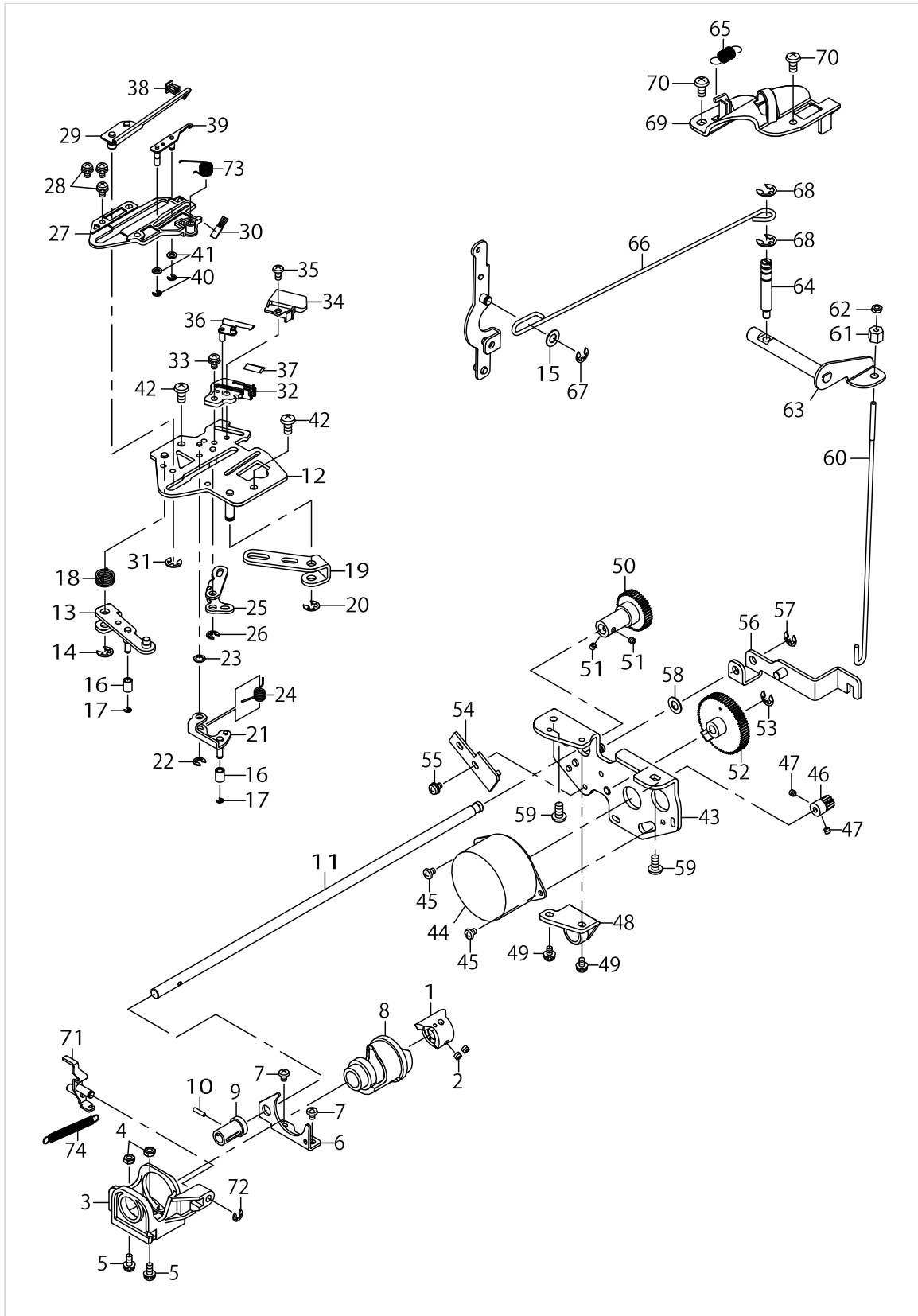
THREAD TRIMMER COMPONENTS (FOR G210)



THREAD TRIMMER COMPONENTS (FOR G210)

| No. | Supply Code | Parts No. | Replacement | Parts name | Remarks | Choice | Step | Level | Cons | Qty | Rep. QTY |
|-----|-------------|--------------|-------------|----------------------------------|---------|--------|------|-------|------|-----|----------|
| 33 | | SL4030691SC | | SCREW M3 L=6 | | | | | | 1 | |
| 34 | R | 40053621 | 40136007 | TT CUTTER COVER | | A | | | | 1 | 1.00 |
| 34 | R | 40053621 | 40136008 | TT CUTTER COVER | | A | | | | 1 | 1.00 |
| 34 | R | 40053621 | 40136005 | TT CUTTER COVER | | A | | | | 1 | 1.00 |
| 34 | R | 40053621 | 40135998 | TT CUTTER COVER | | A | | | | 1 | 1.00 |
| 34 | R | 40053621 | 40136009 | TT CUTTER COVER | | A | | | | 1 | 1.00 |
| 35 | | SM5030655SN | | SCREW M3X0.5 L=6 | | | | | | 1 | |
| 36 | R | 40053617 | 40136009 | TT CATCHER ASSY | | A | | | | 1 | 1.00 |
| 36 | R | 40053617 | 40135998 | TT CATCHER ASSY | | A | | | | 1 | 1.00 |
| 36 | R | 40053617 | 40136008 | TT CATCHER ASSY | | A | | | | 1 | 1.00 |
| 36 | R | 40053617 | 40136007 | TT CATCHER ASSY | | A | | | | 1 | 1.00 |
| 36 | R | 40053617 | 40136005 | TT CATCHER ASSY | | A | | | | 1 | 1.00 |
| 37 | R | A3711010000A | 40174537 | TOP THREADING CUTTER | | A | | | | 1 | 1.00 |
| 37 | R | A3711010000A | 40174532 | TOP THREADING CUTTER | | A | | | | 1 | 1.00 |
| 38 | | 40053609 | | THREAD KEEPING PILE | | | | | | 1 | |
| 39 | | 40078681 | | UT HOOK ASSY | | | | | | 1 | |
| 40 | | RE0200000K0 | | E-RING 2 | | | | | | 2 | |
| 41 | | WP0310516RZ | | WASHER 3.1X5.4X0.5 | | | | | | 2 | |
| 42 | | SM5040855SN | | SCREW | | | | | | 2 | |
| 43 | R | 40053588 | 40079366 | THREAD TRIMMER STM BASE ASSY | | | | | | 1 | 1.00 |
| 44 | | 40056556 | | ASSY TT STM | | | | | | 1 | |
| 45 | | SM5030655SN | | SCREW M3X0.5 L=6 | | | | | | 2 | |
| 46 | | 40067261 | | TT STM GEAR | | | | | | 1 | |
| 47 | | SM8030312TP | | SCREW M3 L=3 | | | | | | 2 | |
| 48 | | 40067671 | | CAM DRIVING GEAR R HOLDER | | | | | | 1 | |
| 49 | | SL4030691SC | | SCREW M3 L=6 | | | | | | 2 | |
| 50 | | 40053585 | | CAM DRIVING GEAR R | | | | | | 1 | |
| 51 | | SM8030312TP | | SCREW M3 L=3 | | | | | | 2 | |
| 52 | | 40053584 | | INTERMEDIATE GEAR | | | | | | 1 | |
| 53 | | RE0400000K0 | | E-RING 4 | | | | | | 1 | |
| 54 | | 40056564 | | ASSY TT STM ORG CIRCUIT BOARD | | | | | | 1 | |
| 55 | | SL5030531SF | | SCREW M3 L=5 | | | | | | 1 | |
| 56 | | 40053641 | | TR PLATE LOWER ASSY | | | | | | 1 | |
| 57 | | RE0400000K0 | | E-RING 4 | | | | | | 1 | |
| 58 | | WP0520516RZ | | WASHER | | | | | | 1 | |
| 59 | | SM5040855SN | | SCREW | | | | | | 2 | |
| 60 | R | 40053640 | 40163797 | TR LINK LOWER | | | | | | 1 | 1.00 |
| 61 | | A2444500000 | | NUT | | | | | | 1 | |
| 62 | | NM6860002MZ | | NUT M2.6 | | | | | | 1 | |
| 63 | | 40053637 | | TR LINK PLATE ASSY | | | | | | 1 | |
| 64 | | 40053632 | | TR CONNECT SHAFT | | | | | | 1 | |
| 65 | | 40053636 | | TENSION RELEASE SPRING | | | | | | 1 | |
| 66 | | 40053628 | | TR LINK UPPER | | | | | | 1 | |
| 67 | | RE0400000K0 | | E-RING 4 | | | | | | 1 | |
| 68 | | RE0500000K0 | | E-RING | | | | | | 2 | |

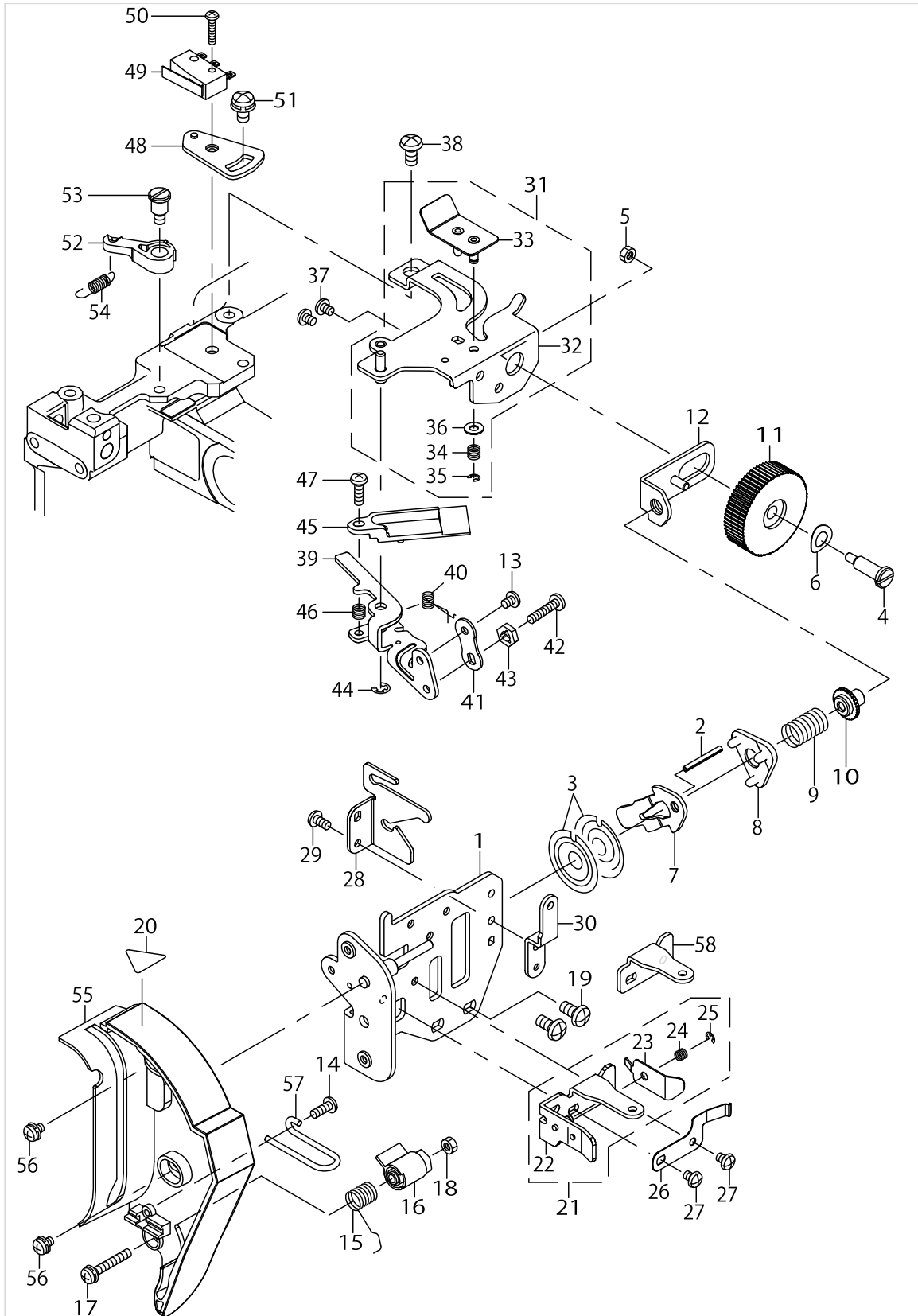
THREAD TRIMMER COMPONENTS (FOR G210)



THREAD TRIMMER COMPONENTS (FOR G210)

| No. | Supply Code | Parts No. | Replacement | Parts name | Remarks | Choice | Step | Level | Cons | Qty | Rep. QTY |
|-----|-------------|-------------|-------------|----------------------|---------|--------|------|-------|------|-----|----------|
| 69 | | 40055796 | | WIRE GUIDE A | | | | | | 1 | |
| 70 | | SM5040855SN | | SCREW | | | | | | 2 | |
| 71 | | 40078686 | | UTHOOKLEVERASSY | | | | | | 1 | |
| 72 | | RE0300000K0 | | E-RING 3 | | | | | | 1 | |
| 73 | | 40078685 | | UT HOOK SPRING | | | | | | 1 | |
| 74 | | 40078690 | | UT HOOK LEVER SPRING | | | | | | 1 | |

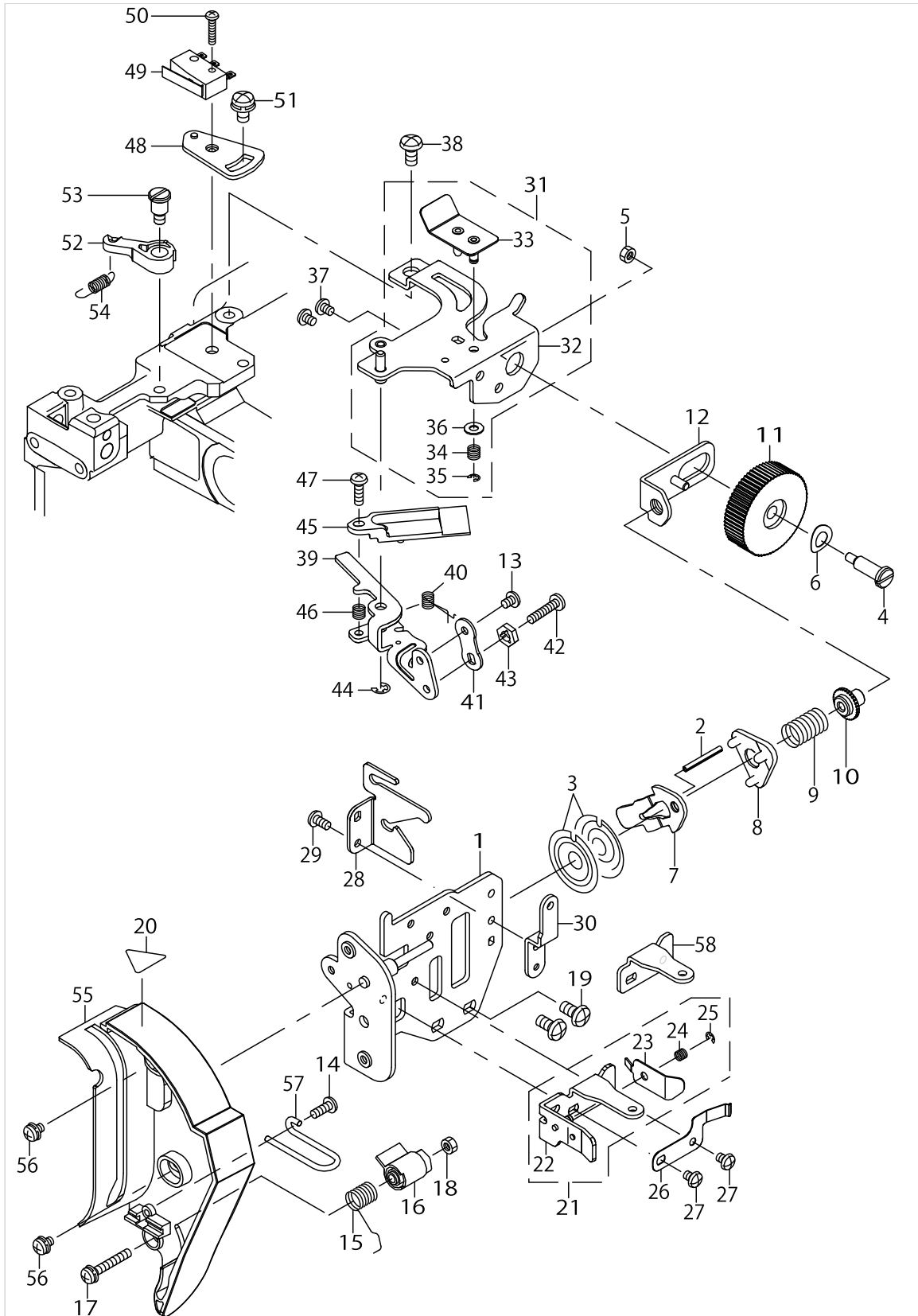
THREAD TENSION COMPONENTS



THREAD TENSION COMPONENTS

| No. | Supply Code | Parts No. | Replacement | Parts name | Remarks | Choice | Step | Level | Cons | Qty | Rep. QTY |
|-----|-------------|--------------|-------------|---------------------------------|----------|--------|------|-------|------|-----|----------|
| 1 | | 40053520 | | FACE PLATE ASSY | | | | | | 1 | |
| 2 | | PS0200182KP | | SPRING PIN TYPE W 2X18 | | | | | | 1 | |
| 3 | | A3910634000B | | TENSION DISC | | | | | | 2 | |
| 4 | | 40066124 | | TT DIAL SHAFT | | | | | | 1 | |
| 5 | | NM6030002SF | | NUT M3 | | | | | | 1 | |
| 6 | | A2110700000 | | SPRING WASHER | | | | | | 1 | |
| 7 | | 40053525 | | DISCRELEASEPLATE | | | | | | 1 | |
| 8 | | 40055371 | | DISC HOLDER | | | | | | 1 | |
| 9 | | 40112878 | | THREAD TENSION SPRING | | | | | | 1 | |
| 10 | | 40053526 | | THREAD TENSION ADJUST NUT | | | | | | 1 | |
| 11 | | 40107588 | | TT DIAL | | | | | | 1 | |
| 12 | | 40053532 | | THREAD TENSION ADJUST PLATE ASM | | | | | | 1 | |
| 13 | | SM5030455SF | | SCREW M3 L=4 | | | | | | 1 | |
| 14 | | ST5030851SN | | SCREW M5X8 | | | | | | 1 | |
| 15 | | 40055377 | | TAKE UP SPRING | | | | | | 1 | |
| 16 | | 40055378 | | TAKE UP SPRING HOLDER | | | | | | 1 | |
| 17 | | SL4032081SC | | SCREW M3 L=20 | | | | | | 1 | |
| 18 | | NM6030002SF | | NUT M3 | | | | | | 1 | |
| 19 | | SM5040855SN | | SCREW | | | | | | 2 | |
| 20 | | CM300200001 | | ATTENTION SEAL | | | | | | 1 | |
| 21 | | 40064573 | | ASSY SUB TENSION BASE | FOR G210 | | | | | 1 | |
| 22 | | 40062044 | | SUB TENSION BASE ASSY | FOR G210 | | | * | | 1 | |
| 23 | | 40062047 | | SUB TENSION | FOR G210 | | | * | | 1 | |
| 24 | | 40062048 | | SUBTENSIONSPRING | FOR G210 | | | * | | 1 | |
| 25 | | RE0200000K0 | | E-RING 2 | FOR G210 | | | * | | 1 | |
| 26 | | 40053528 | | THREAD TENSION DIAL CLICK | | | | | | 1 | |
| 27 | | SM5030655SN | | SCREW M3X0.5 L=6 | | | | | | 2 | |
| 28 | | 40057974 | | ARM THREAD GUIDE | | | | | | 1 | |
| 29 | | SM5030655SN | | SCREW M3X0.5 L=6 | | | | | | 1 | |
| 30 | | 40107931 | | THREAD TENSION COVER BRACKET | | | | | | 1 | |
| 31 | | 40064704 | | ASSY BASE TENSION BASE | | | | | | 1 | |
| 32 | | 40055383 | | BASE TENSION BASE ASSY | | | | * | | 1 | |
| 33 | | 40055384 | | BASE TENSION ASSY | | | | * | | 1 | |
| 34 | | 40055420 | | BASE TENSION SPRING | | | | * | | 1 | |
| 35 | | RE0200000K0 | | E-RING 2 | | | | * | | 1 | |
| 36 | | WP0320501SC | | WASHER M3 | | | | * | | 1 | |
| 37 | | SM5030455SF | | SCREW M3 L=4 | | | | | | 2 | |
| 38 | | SM5040855SN | | SCREW | | | | | | 1 | |
| 39 | | 40055561 | | RELEASE ARM | | | | | | 1 | |
| 40 | | 40055400 | | RELEASE ARM SPRING | | | | | | 1 | |
| 41 | | 40070286 | | RELEASE ARM SPACER | | | | | | 1 | |
| 42 | | SM5031401SC | | SCREW M3 L=14 | | | | | | 1 | |
| 43 | | 174803004000 | | NUT | | | | | | 1 | |
| 44 | | RE0300000K0 | | E-RING 3 | | | | | | 1 | |
| 45 | | 40066195 | | BASE TENSION LIFTER | | | | | | 1 | |

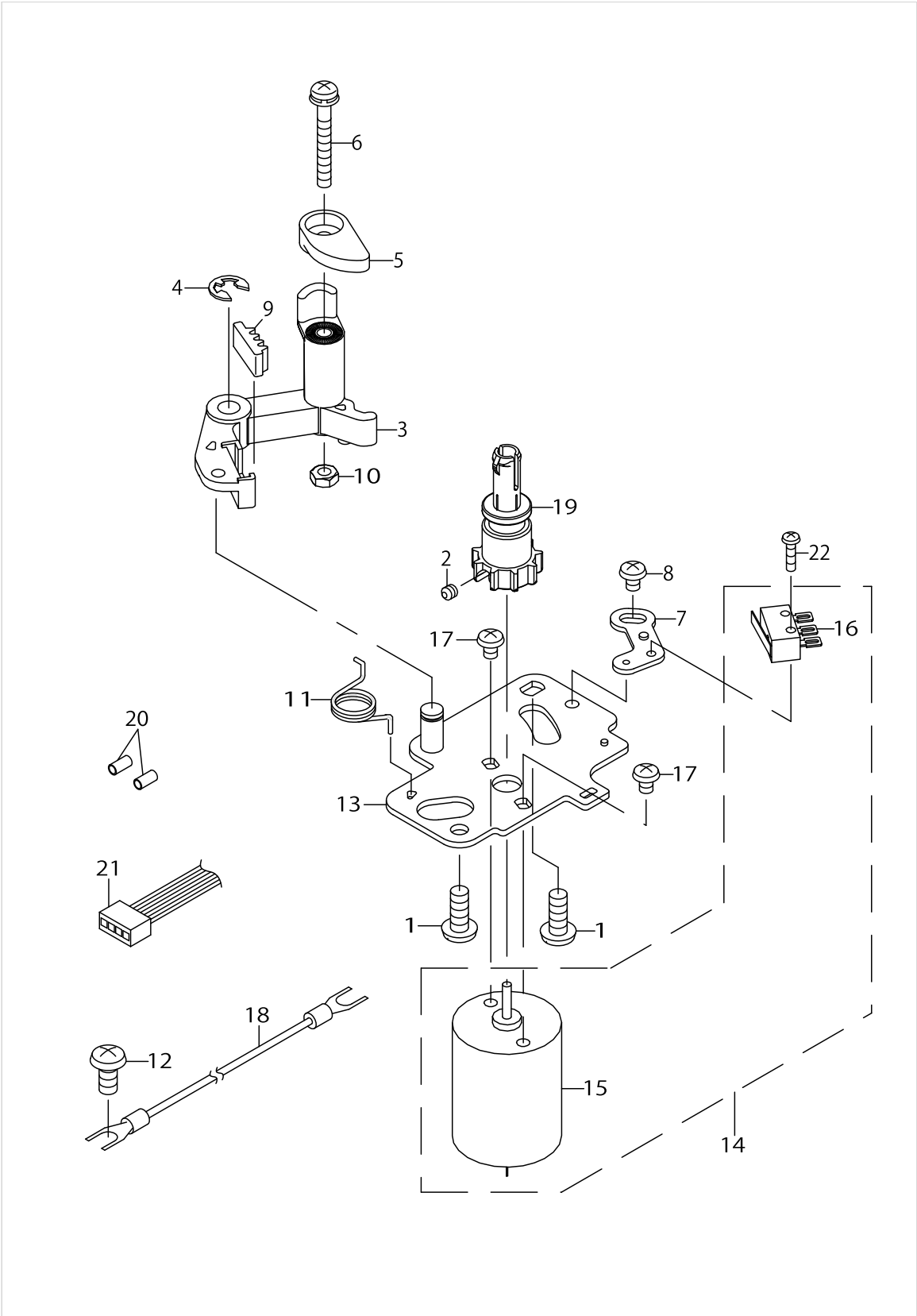
THREAD TENSION COMPONENTS



THREAD TENSION COMPONENTS

| No. | Supply Code | Parts No. | Replacement | Parts name | Remarks | Choice | Step | Level | Cons | Qty | Rep. QTY |
|-----|-------------|-------------|-------------|----------------------------|----------|--------|------|-------|------|-----|----------|
| 46 | | 40066193 | | BASE TENSION LIFTER SPRING | | | | | | 1 | |
| 47 | | SM5031001SE | | SCREW M3 L=10 | | | | | | 1 | |
| 48 | | 40055385 | | PRESSER LIFTER SW BASE | | | | | | 1 | |
| 49 | R | 40056544 | 40115936 | ASSY OST SW | | | | | | 1 | 1.00 |
| 50 | | SM4831001SF | | SCREW M2.3 L=10 | | | | | | 1 | |
| 51 | | SL5040835SN | | SCREW | | | | | | 1 | |
| 52 | | 40055396 | | TENSION RELEASE ARM | | | | | | 1 | |
| 53 | | 40055397 | | TR ARM LOCATE SCREW | | | | | | 1 | |
| 54 | | 40055398 | | TR ARM SPRING | | | | | | 1 | |
| 55 | | 40107442 | | FACE PLATE COVER | | | | | | 1 | |
| 56 | | SL4030591SC | | SCREW M3 L=5 | | | | | | 2 | |
| 57 | | 40055376 | | TAKE UP SPRING GUIDE | | | | | | 1 | |
| 58 | | 40107930 | | FRONT PANEL BRACKET U | FOR G110 | | | | | 1 | |

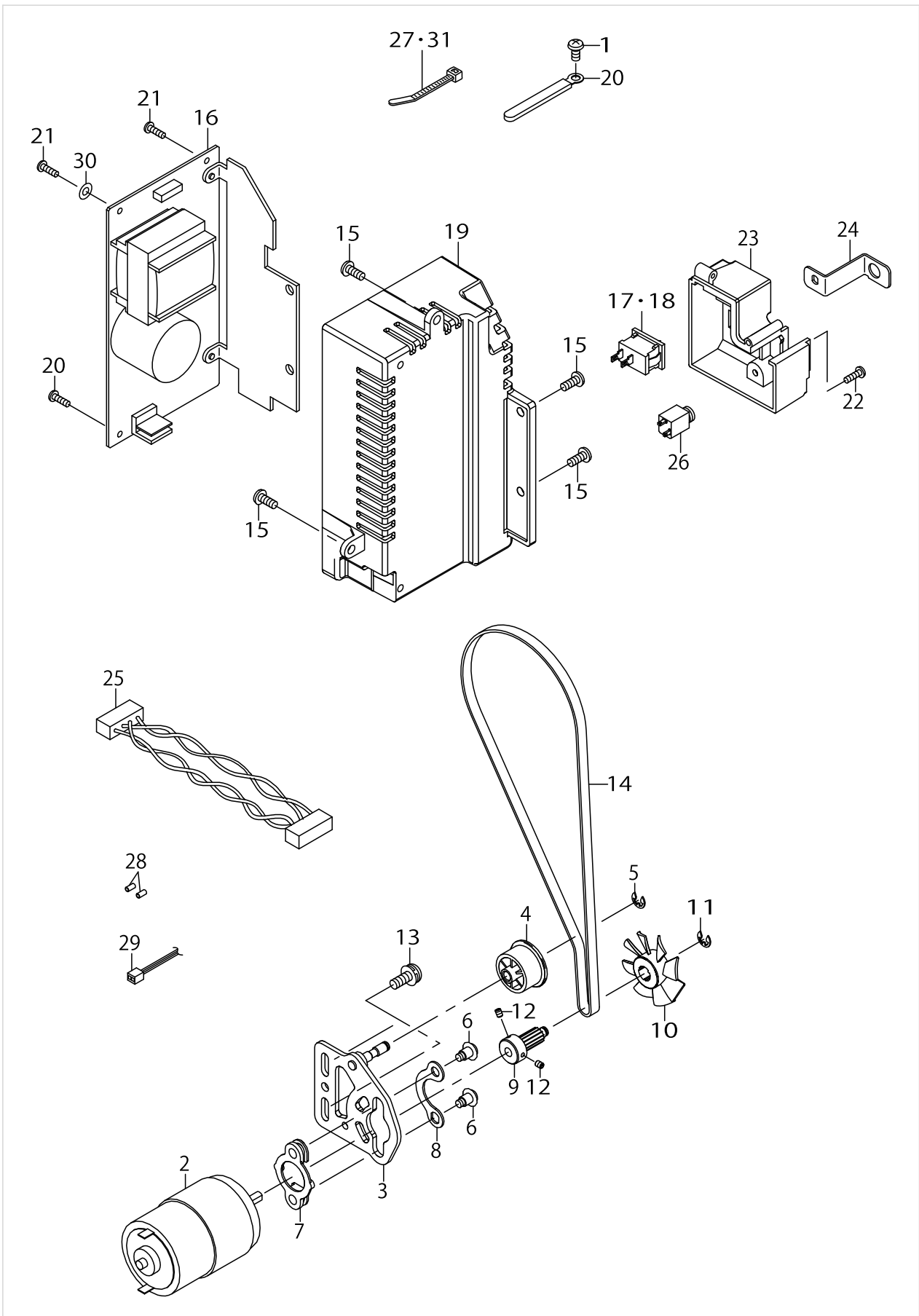
BOBBIN WINDER COMPONENTS



BOBBIN WINDER COMPONENTS

| No. | Supply Code | Parts No. | Replacement | Parts name | Remarks | Choice | Step | Level | Cons | Qty | Rep. QTY |
|-----|-------------|-------------|-------------|---------------------------|---------|--------|------|-------|------|-----|----------|
| 1 | | ST5041051SN | | SCREW | | | | | | 2 | |
| 2 | | SM8030312TP | | SCREW M3 L=3 | | | | | | 1 | |
| 3 | | 40097679 | | BW ADJUST BASE | | | | | | 1 | |
| 4 | | RE0400000K0 | | E-RING 4 | | | | | | 1 | |
| 5 | | 40053677 | | BW ADJUST BODY | | | | | | 1 | |
| 6 | | SL4032591SC | | SCREW M3X25 | | | | | | 1 | |
| 7 | | 40097680 | | SW BASE | | | | | | 1 | |
| 8 | | SM5030655SN | | SCREW M3X0.5 L=6 | | | | | | 1 | |
| 9 | | 40076145 | | STOPPER RUBBER | | | | | | 1 | |
| 10 | | NM6030002SF | | NUT M3 | | | | | | 1 | |
| 11 | | 40061796 | | BW SPRING | | | | | | 1 | |
| 12 | | SM5040855SN | | SCREW | | | | | | 1 | |
| 13 | | 40097677 | | BOBBIN WINDER BASE ASSY | | | | | | 1 | |
| 14 | | 40116031 | | ASSY_WIND_MOTOR | | | | | | 1 | |
| 15 | | 40065720 | | WIND MOTOR | | | | * | | 1 | |
| 16 | | HA00325000B | | SWITCH | | | | * | | 1 | |
| 17 | | SM5030455SF | | SCREW M3 L=4 | | | | | | 2 | |
| 18 | | 40066041 | | ASSY WIND CODE | | | | | | 1 | |
| 19 | | 40107610 | | BOBBIN WINDER SHAFT | | | | | | 1 | |
| 20 | | E8760452B00 | | TUBE | | | | | | 1 | |
| 21 | | 40073194 | | ASSY WIND MOTOR LEAD WIRE | | | | | | 1 | |
| 22 | | SM5020855SN | | SCREW M2 L=8 | | | | | | 1 | |

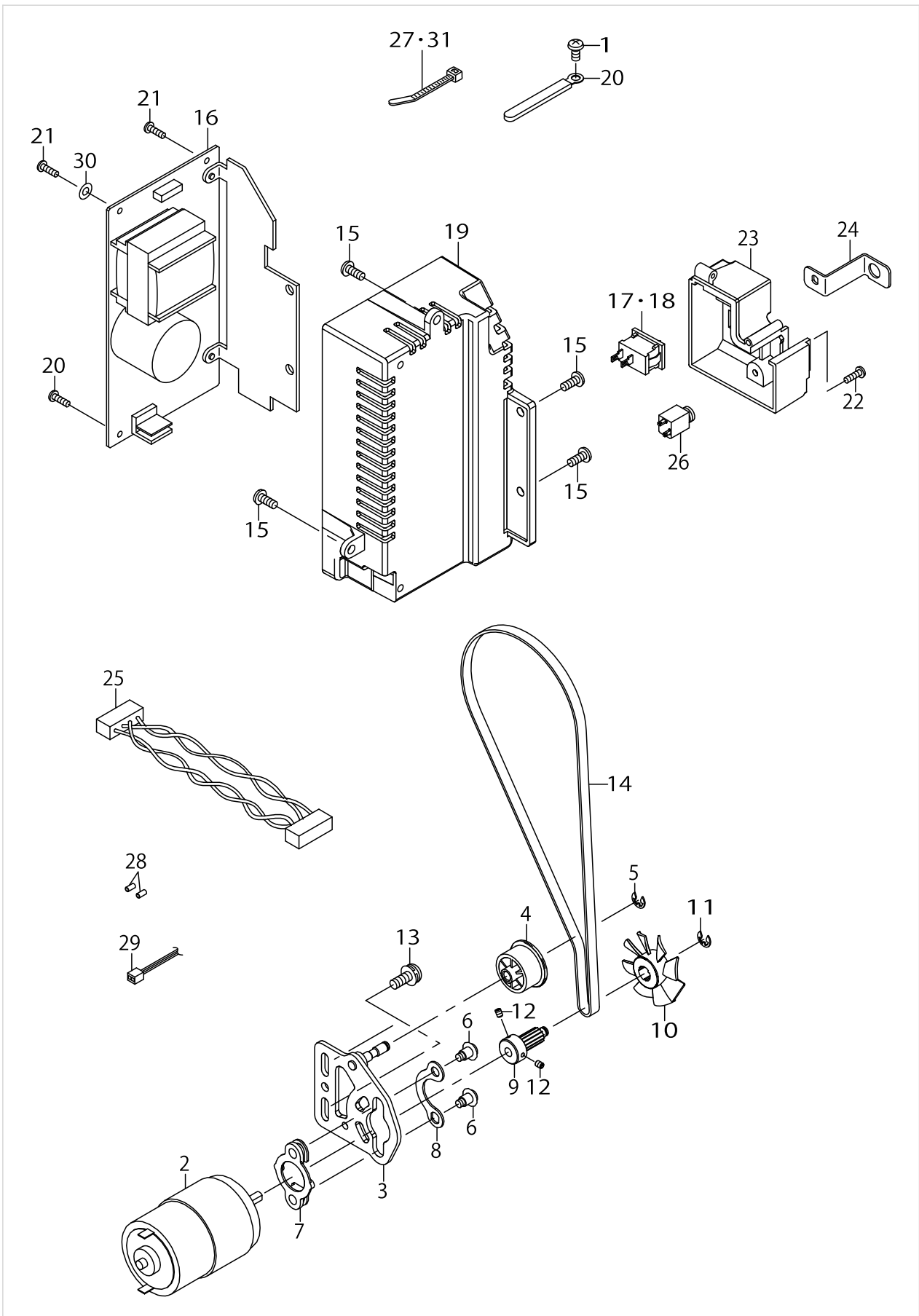
POWER SUPPLY & MAIN MOTOR COMPONENTS



POWER SUPPLY & MAIN MOTOR COMPONENTS

| No. | Supply Code | Parts No. | Replacement | Parts name | Remarks | Choice | Step | Level | Cons | Qty | Rep. QTY |
|-----|-------------|-------------|-------------|------------------------------|--|--------|------------------------|-------|------|-----|----------|
| 1 | | SM5040855SN | | SCREW | | | | | | 2 | |
| 2 | | 40065716 | | MAIN MOTOR | | | | | | 1 | |
| 3 | | 40057951 | | MOTOR BRACKET ASSY | | | | | | 1 | |
| 4 | | 40056861 | | IDLER | | | | | | 1 | |
| 5 | | RE0400000K0 | | E-RING 4 | | | | | | 1 | |
| 6 | | 40057922 | | RUBBER WASHER SCREW | | | | | | 2 | |
| 7 | | 40062143 | | MOTOR SPACER | | | | | | 1 | |
| 8 | | 40066024 | | SPACER PLATE | | | | | | 1 | |
| 9 | | 40055830 | | MOTOR SHAFT PULLEY | | | | | | 1 | |
| 10 | | 40053472 | | MOTOR SHAFT PULLEY FLANGE | | | | | | 1 | |
| 11 | | RE0400000K0 | | E-RING 4 | | | | | | 1 | |
| 12 | | SM8030612TP | | SET SCREW | | | | | | 2 | |
| 13 | R | SL4051485SE | SL4041295SE | BASE PLATE SETSCREW | | A | MOL254 | | | 2 | 1.00 |
| 13 | R | SL4051485SE | SL4051485SC | BASE PLATE SETSCREW | | B | MOL254以外/Except MOL254 | | | 2 | 1.00 |
| 14 | | 40057960 | | MOTOR TIMING BELT | | | | | | 1 | |
| 15 | | SM5041055SN | | SCREW M4X10 | | | | | | 4 | |
| 16 | R | 40088328 | WP0430801SC | ASSYPOWERSUPPLY | | A | | | | 1 | 1.00 |
| 16 | R | 40088328 | 40166891 | ASSYPOWERSUPPLY | | A | | | | 1 | 1.00 |
| 17 | | 40056541 | | ASSY POWER SW UL | FOR G110(-UL),G110(T-WN), G210(-UL),G210(TWN) | | | | | 1 | |
| 18 | R | 40056542 | 40150471 | ASSY POWER SW EU | FOR G110(-CE),G110(-BS), G110(-CE2),G110(-CE3), G110(-CE4),G110(-EK),G110(-SAA), G210(-0(CE),G210(-BS),G210(-CE2), G210(-CE3), G210(-0(CE4),G210(-0(EK), G210(SAA) | | | | | 1 | 1.00 |
| 19 | | 40053475 | | SWITCHING POWER SOURCE COVER | | | | | | 1 | |
| 20 | | A3811550000 | | CORD HOLDER | | | | | | 2 | |
| 21 | | ST5031051SN | | TAPPING SCREW | | | | | | 3 | |
| 22 | | ST5031051SN | | TAPPING SCREW | | | | | | 1 | |
| 23 | | 40053474 | | INLET COVER | | | | | | 1 | |
| 24 | | 40107932 | | CONTROLLER JACK PLATE | | | | | | 1 | |
| 25 | | 40056552 | | ASSY POWER SUPPLY RELAY | | | | | | 1 | |
| 26 | | 40107481 | | ASSY CONT SOCKET | | | | | | 1 | |
| 27 | | A407855000B | | BAND | FOR G110 | | | | | 9 | |
| 28 | | E8760452F00 | | TUBE | | | | | | 1 | |
| 29 | R | 40073193 | 40109088 | ASSY MAIN MOTOR LEAD WIRE | | A | F600 | | | 1 | 1.00 |
| 29 | R | 40073193 | 40109088 | ASSY MAIN MOTOR LEAD WIRE | | B | F400 | | | 1 | 1.00 |
| 29 | R | 40073193 | 40109088 | ASSY MAIN MOTOR LEAD WIRE | | C | F300 | | | 1 | 1.00 |
| 29 | R | 40073193 | 40168996 | ASSY MAIN MOTOR LEAD WIRE | | A | | | | 1 | 1.00 |
| 29 | R | 40073193 | 40168986 | ASSY MAIN MOTOR LEAD WIRE | | A | | | | 1 | 1.00 |
| 29 | R | 40073193 | 40168987 | ASSY MAIN MOTOR LEAD WIRE | | A | | | | 1 | 1.00 |

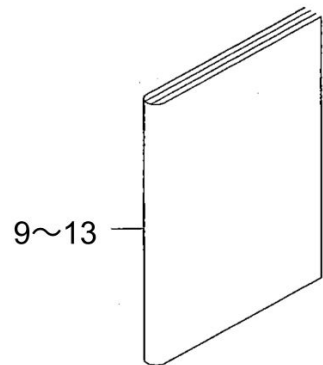
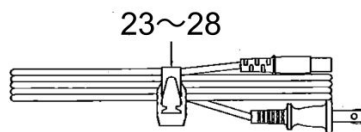
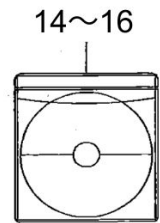
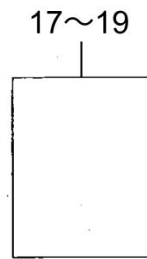
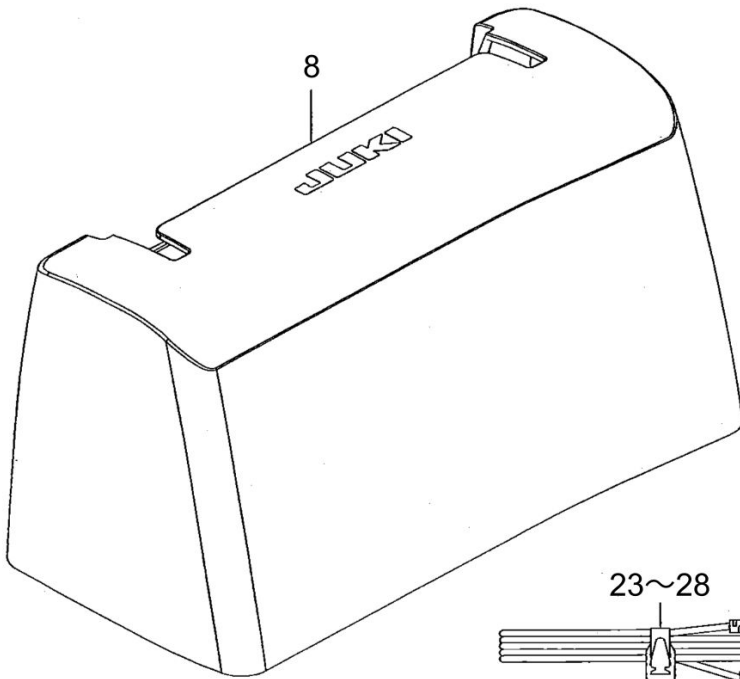
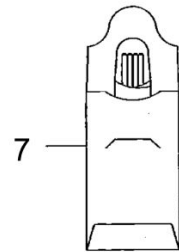
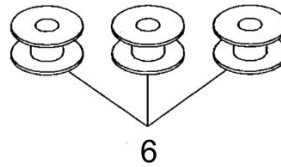
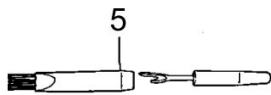
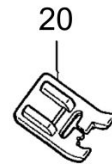
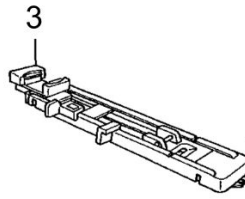
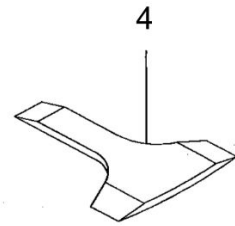
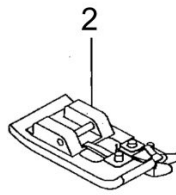
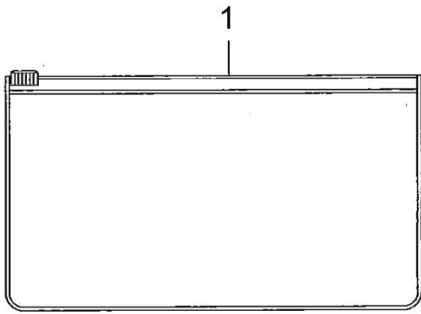
POWER SUPPLY & MAIN MOTOR COMPONENTS



POWER SUPPLY & MAIN MOTOR COMPONENTS

| No. | Supply Code | Parts No. | Replacement | Parts name | Remarks | Choice | Step | Level | Cons | Qty | Rep. QTY |
|-----|-------------|-------------|-------------|---------------------------|----------|--------|---------------------------------------|-------|------|-----|----------|
| 29 | R | 40073193 | 40168997 | ASSY MAIN MOTOR LEAD WIRE | | A | | | | 1 | 1.00 |
| 29 | R | 40073193 | 40168988 | ASSY MAIN MOTOR LEAD WIRE | | A | | | | 1 | 1.00 |
| 29 | R | 40073193 | 40168987 | ASSY MAIN MOTOR LEAD WIRE | | A | HZL-F400 F500 QM70- 0 F300 F370 | | | 1 | 1.00 |
| 29 | R | 40073193 | 40168997 | ASSY MAIN MOTOR LEAD WIRE | | A | HZL-F400 F500 QM70- 0 F300 F370 | | | 1 | 1.00 |
| 29 | R | 40073193 | 40168997 | ASSY MAIN MOTOR LEAD WIRE | | B | HZL-FQ65 F400JP | | | 1 | 1.00 |
| 29 | R | 40073193 | 40168990 | ASSY MAIN MOTOR LEAD WIRE | | B | HZL-FQ65 F400JP | | | 1 | 1.00 |
| 29 | R | 40073193 | 40168997 | ASSY MAIN MOTOR LEAD WIRE | | C | | | | 1 | 1.00 |
| 29 | R | 40073193 | 40168994 | ASSY MAIN MOTOR LEAD WIRE | | C | | | | 1 | 1.00 |
| 30 | | WP0430801SC | | WASHER M4 | | | | | | 1 | |
| 31 | | A407855000B | | BAND | FOR G210 | | | | | 10 | |

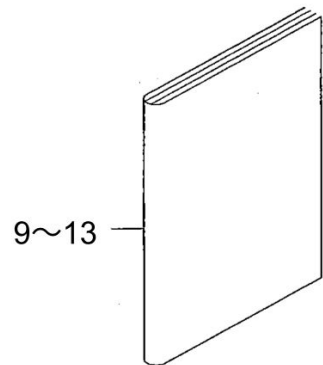
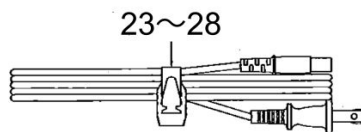
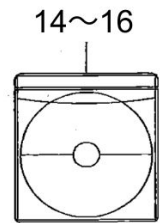
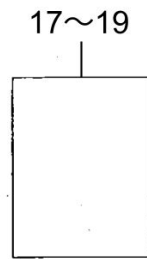
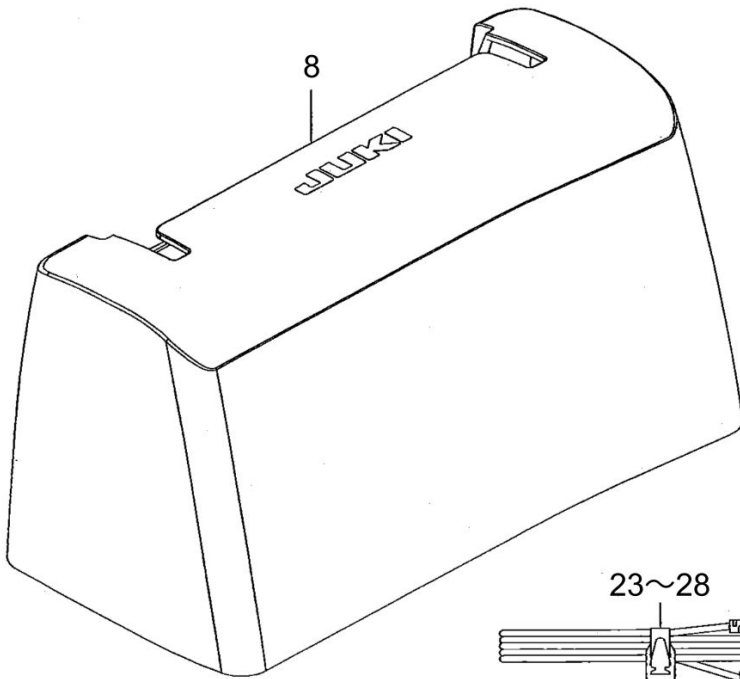
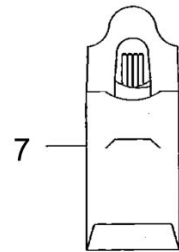
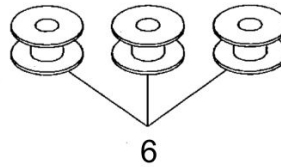
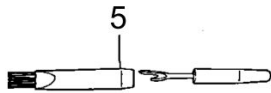
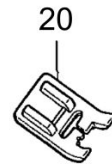
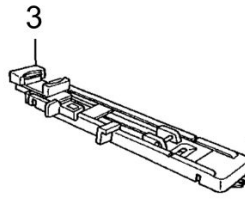
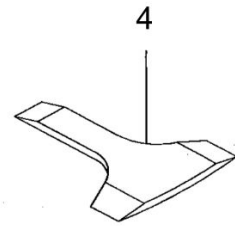
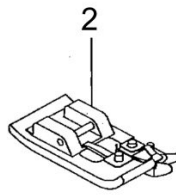
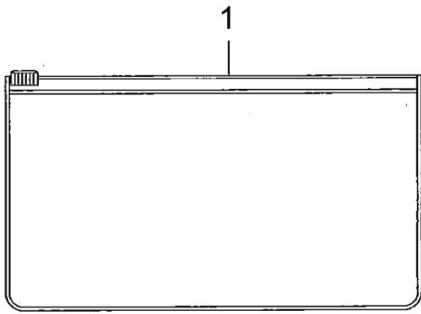
ACCESSORIE PARTS COMPONENTS



ACCESSORIE PARTS COMPONENTS

| No. | Supply Code | Parts No. | Replacement | Parts name | Remarks | Choice | Step | Level | Cons | Qty | Rep. QTY |
|-----|-------------|--------------|-------------|---------------------------------------|--|--------|------|-------|------|-----|----------|
| 1 | | A9101550000 | | ACCESSORY BAG | | | | | | 1 | |
| 2 | | 40110163 | | ASSY OVERCASTING FOOT | | | | | | 1 | |
| 3 | | 40110162 | | ASSY BH PRESSER FOOT | | | | | | 1 | |
| 4 | | A9110700000 | | SCREWDRIVER | | | | | | 1 | |
| 5 | | 40111392 | | SEAM RIPPER | | | | | | 1 | |
| 6 | | 001141000000 | | BOBBIN | | | | | | 3 | |
| 7 | | 40075804 | | NEEDLE SET | | | | | | 1 | |
| 8 | | 40107467 | | ASSY HARD CASE | | | | | | 1 | |
| 9 | | 40111092 | | INSTRUCTION MANUAL A | FOR G110(-UL),G110(-CE),G110(-BS), G110(-CE3),G110(-SAA),G110(-TWN), G210(UL),G210(-CE),G210(-BS), G210(-CE3),G210(-SAA),G210(TWN) | | | | | 1 | |
| 10 | | 40111093 | | INSTRUCTION MANUAL B | FOR G110(-CE2),G110(-CE3), G210(-CE2),G210(CE3) | | | | | 1 | |
| 11 | | 40111094 | | INSTRUCTION_MANUAL_C | FOR G110(-EK),G210(EK) | | | | | 1 | |
| 12 | | 40123949 | | INSTRUCTION_MANUAL_D | FOR G110(-CE4),G210(CE4) | | | | | 1 | |
| 13 | | 40115924 | | INSTRUCTION_MANUAL_CH | FOR G110(-CH),G210(CH) | | | | | 1 | |
| 14 | | 40114818 | | ASSY_INSTRUCTION_DVD_G110/G210_NTSC | FOR G110(-UL),G110(EK), G110(TWN), G210(-UL),G210(EK),G210(TWN) | | | | | 1 | |
| 15 | | 40114976 | | ASSY_INSTRUCTION_DVD_G110/G210_PAL | FOR G110(-CE),G110(-BS),G110(-CE2), G110(-CE3),G110(-CE4),G110(-SAA), G210(CE),G210(-BS),G210(-CE2), G210(-CE3),G210(-CE4),G210(SAA) | | | | | 1 | |
| 16 | | 40117077 | | ASSY_INSTRUCTION_DVD_G110/G210_CH_PAL | FOR G110(-CH),G210(CH) | | | | | 1 | |
| 17 | | 40075482 | | WARRANTY_CARD(JUKI_AMERICA) | FOR G110(-UL),G210(UL) | | | | | 1 | |
| 18 | | 40080802 | | WARRANTY_CARD | FOR G110(-CE),G110(-BS),G110(-CE3), G110(-CE4),G110(-EK),G110(-SAA), G210(CE),G210(-BS),G210(-CE3), G210(-CE4),G210(-EK),G210(SAA) | | | | | 1 | |
| 19 | | 40070282 | | WARRANTY_CARD | FOR G110(-CH),G210(CH) | | | | | 1 | |
| 20 | | 40110165 | | TRANSPARENT BUTTONEHOLE FOOT | | | | | | 1 | |

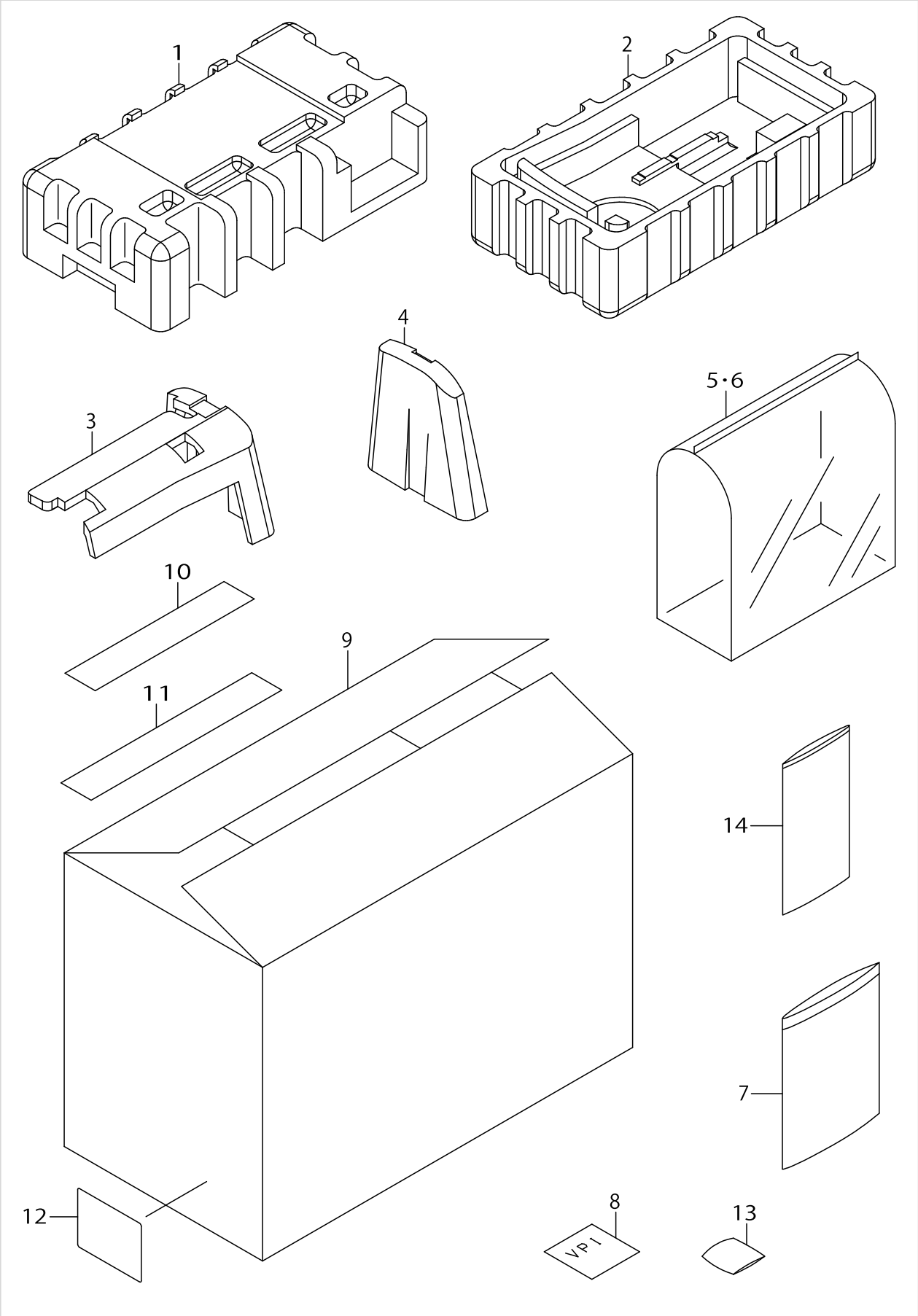
ACCESSORIE PARTS COMPONENTS



ACCESSORIE PARTS COMPONENTS

| No. | Supply Code | Parts No. | Replacement | Parts name | Remarks | Choice | Step | Level | Cons | Qty | Rep. QTY |
|-----|-------------|-------------|--------------|----------------------------|---|--------|------|-------|------|-----|----------|
| 21 | | 40107483 | | FOOT CONTROLLER FOREIGN | | | | | | 1 | |
| 22 | | 40119192 | | FOOT_CONTROLLER_KOREA | FOR G110(-EK),G210(EK) | | | | | 1 | |
| 23 | R | A442101EZA0 | A442101EZA0A | ELECTRIC POWER CORD ASM. | FOR G110(-UL),G110(T-WN), G210(-UL),G210(TWN) | | | | | 1 | 1.00 |
| 24 | | A44219800AF | | ELECTRIC POWER CORD | FOR G110(-CE),G110(-CE2), G110(-CE3),G110(-CE4), G210(-CE),G210(-CE2),G210(-CE3), G210(CE4) | | | | | 1 | |
| 25 | | 40071949 | | POWER_CORD_SET_(BS),(ASM.) | FOR G110(-BS),G210(BS) | | | | | 1 | |
| 26 | | A442150C00A | | POWER_CORD_SET_(CH) | FOR G110(-CH),G210(CH) | | | | | 1 | |
| 27 | | 40079741 | | POWER_CORD_SET_(KOR) | FOR G110(-EK),G210(EK) | | | | | 1 | |
| 28 | | A44219800AG | | POWER_CORD_SET_(SAA) | FOR G110(-SAA),G210(SAA) | | | | | 1 | |

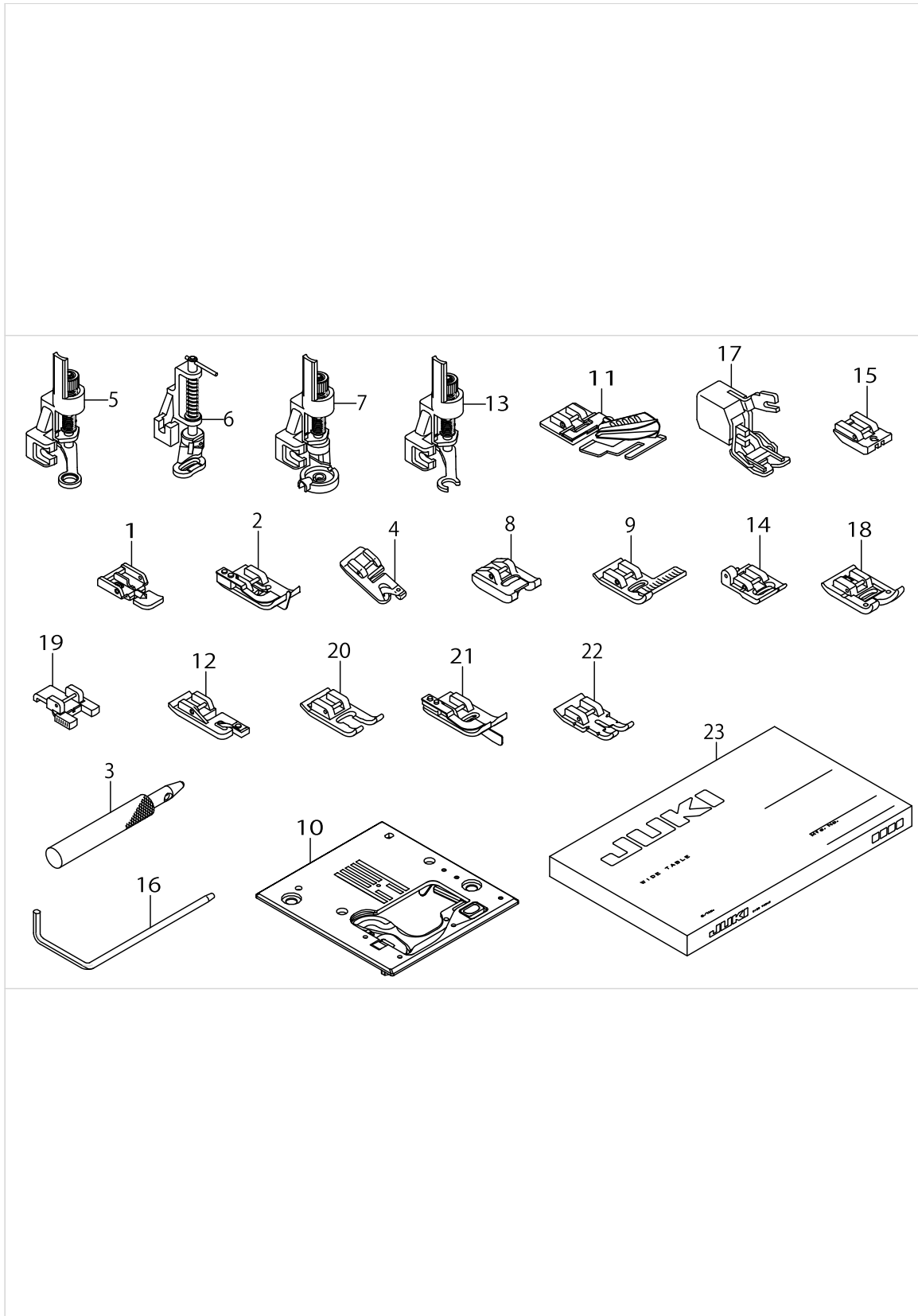
PACKING MATERIAL COMPONENTS



PACKING MATERIAL COMPONENTS

| No. | Supply Code | Parts No. | Replacement | Parts name | Remarks | Choice | Step | Level | Cons | Qty | Rep. QTY |
|-----|-------------|-------------|-------------|----------------------|---------|--------|------|-------|------|-----|----------|
| 1 | | 40108225 | | CUSHIONING TOP | | | | | | 1 | |
| 2 | | 40108226 | | CUSHIONING BOTTOM | | | | | | 1 | |
| 3 | | 40108227 | | CUSHIONING CASE A | | | | | | 1 | |
| 4 | | 40108228 | | CUSHIONING CASE B | | | | | | 1 | |
| 5 | | 40090758 | | MACHINE COVER | | | | | | 1 | |
| 6 | | 40090758 | | MACHINE COVER | | | | | | 1 | |
| 7 | | A9181008000 | | VINYL | | | | | | 1 | |
| 8 | | J0233500A00 | | VPI PAPER | | | | | | 1 | |
| 9 | | 40108229 | | OUTER PACKING CASE F | | | | | | 1 | |
| 10 | | J0231010A0F | | TAPE_FOR_PAKAGE(100) | | | | | | 4 | |
| 11 | | 40118901 | | TAPE_FOR_PAKAGE(120) | | | | | | 1 | |
| 12 | | 40080780 | | BAR CODE LABEL | | | | | | 1 | |
| 13 | | J0240082A00 | | SILICA GEL | | | | | | 1 | |
| 14 | | J0231082A00 | | VINYL SHEET | | | | | | 1 | |

OPTIONAL ACCESSORY PARTS COMPONENTS



OPTIONAL ACCESSORY PARTS COMPONENTS

| No. | Supply Code | Parts No. | Replacement | Parts name | Remarks | Choice | Step | Level | Cons | Qty | Rep. QTY |
|-----|-------------|-------------|-------------|-----------------------------------|---------|--------|------|-------|------|-----|----------|
| 1 | | A91330100A0 | | ZIPPER FOOT ASM. | | | | | | 1 | |
| 2 | | 40112904 | | BP BLINDSTITCH FOOT | | | | | | 1 | |
| 3 | | A9103880000 | | EYELET PUNCH | | | | | | 1 | |
| 4 | | 40080958 | | BP ROLLED HEMMING FOOT | | | | | | 1 | |
| 5 | | 40080964 | | BP QUILTING FOOT | | | | | | 1 | |
| 6 | | 40080953 | | BP CLEAR QUILTING FOOT | | | | | | 1 | |
| 7 | | 40080950 | | BP FREE MOTION CORDING FOOT | | | | | | 1 | |
| 8 | | 40080956 | | BP PEARL SEWING FOOT | | | | | | 1 | |
| 9 | | 40080952 | | BP STITCH GUIDE FOOT | | | | | | 1 | |
| 10 | | 40080968 | | BP STRAIGHT STITCH THROAT PLATE | | | | | | 1 | |
| 11 | | 40080954 | | BP BINDER FOOT | | | | | | 1 | |
| 12 | | 40080957 | | BP ZIG ZAG ROLLED HEMMING FOOT | | | | | | 1 | |
| 13 | | 40080949 | | BP OPEN QUILTING FOOT | | | | | | 1 | |
| 14 | | 40080951 | | BP APPLIQUE FOOT | | | | | | 1 | |
| 15 | | 40080955 | | BP INVISIBLE ZIPPER FOOT | | | | | | 1 | |
| 16 | | A9134550000 | | RULER | | | | | | 1 | |
| 17 | | 40080963 | | BP EVEN FEED FOOT | | | | | | 1 | |
| 18 | R | 40079312 | 40181050 | BLISTER BAG ASM(-DEC STTICH FOOT) | | | | | | 1 | 1.00 |
| 19 | | 40080969 | | BP BUTTON SEWING FOOT | | | | | | 1 | |
| 20 | | 40080962 | | BP OPEN TOE FOOT | | | | | | 1 | |
| 21 | | 40080965 | | BP EDGE STITCH FOOT | | | | | | 1 | |
| 22 | | 40080959 | | BP PACHWORK FOOT | | | | | | 1 | |
| 23 | | 40079795 | | OP_WIDE_TABLE_SET_F | | | | | | 1 | |

HOW TO MAKE USE OF THIS PARTS LIST

- 1.As to "#01" and "#02" refer to the "Note" given at the bottom of the respective pages.
- 2.Codes on the "Qty" column
 - Each numeral indicates the number of parts required.
 - "0.1" and "2.5" indicate the length (in meters) of the respective parts.
- 3.Parentheses mean that the corresponding part is a subpart that constructs an assembly part.
- 4.Dotted lines on the Figures indicate assembly parts.

NUMERICAL INDEX OF PARTS

| PART NO | PAGE | REF NO. | PART NO | PAGE | REF NO. | PART NO | PAGE | REF NO. |
|--------------|------|---------|----------|------|---------|----------|------|---------|
| 001141000000 | 24 | 47 | 40053603 | 26 | 19 | 40055505 | 18 | 15 |
| 001141000000 | 42 | 6 | 40053604 | 26 | 29 | 40055507 | 18 | 22 |
| 021112002000 | 24 | 49 | 40053608 | 26 | 27 | 40055513 | 18 | 20 |
| 041207008000 | 24 | 48 | 40053609 | 28 | 38 | 40055517 | 18 | 39 |
| 123010006074 | 14 | 25 | 40053610 | 26 | 18 | 40055519 | 18 | 46 |
| 174803004000 | 32 | 43 | 40053611 | 26 | 24 | 40055520 | 18 | 45 |
| 174804008000 | 18 | 25 | 40053612 | 26 | 21 | 40055521 | 20 | 79 |
| 40053454 | 22 | 38 | 40053616 | 26 | 25 | 40055522 | 20 | 53 |
| 40053456 | 22 | 13 | 40053617 | 28 | 36 | 40055524 | 20 | 51 |
| 40053469 | 10 | 17 | 40053621 | 28 | 34 | 40055526 | 20 | 70 |
| 40053472 | 38 | 10 | 40053624 | 26 | 32 | 40055527 | 20 | 71 |
| 40053474 | 38 | 23 | 40053628 | 28 | 66 | 40055528 | 20 | 72 |
| 40053475 | 38 | 19 | 40053632 | 28 | 64 | 40055530 | 20 | 57 |
| 40053479 | 10 | 32 | 40053636 | 28 | 65 | 40055531 | 20 | 60 |
| 40053484 | 10 | 2 | 40053637 | 28 | 63 | 40055532 | 20 | 61 |
| 40053485 | 2 | 1 | 40053640 | 28 | 60 | 40055533 | 20 | 62 |
| 40053486 | 10 | 16 | 40053641 | 28 | 56 | 40055539 | 20 | 67 |
| 40053487 | 10 | 19 | 40053677 | 36 | 5 | 40055557 | 14 | 7 |
| 40053490 | 12 | 5 | 40053683 | 2 | 30 | 40055561 | 32 | 39 |
| 40053491 | 12 | 6 | 40053685 | 2 | 25 | 40055676 | 16 | 49 |
| 40053493 | 10 | 6 | 40053686 | 2 | 27 | 40055796 | 30 | 69 |
| 40053495 | 22 | 8 | 40055371 | 32 | 8 | 40055811 | 12 | 12 |
| 40053496 | 12 | 17 | 40055376 | 34 | 57 | 40055819 | 12 | 9 |
| 40053497 | 12 | 18 | 40055377 | 32 | 15 | 40055825 | 10 | 8 |
| 40053499 | 14 | 44 | 40055378 | 32 | 16 | 40055826 | 22 | 10 |
| 40053505 | 16 | 47 | 40055383 | 32 | 32 | 40055827 | 12 | 15 |
| 40053506 | 14 | 33 | 40055384 | 32 | 33 | 40055830 | 38 | 9 |
| 40053516 | 12 | 26 | 40055385 | 34 | 48 | 40056010 | 18 | 38 |
| 40053517 | 12 | 27 | 40055387 | 14 | 2 | 40056529 | 14 | 24 |
| 40053520 | 32 | 1 | 40055391 | 14 | 1 | 40056541 | 38 | 17·18 |
| 40053525 | 32 | 7 | 40055395 | 14 | 5 | 40056542 | 38 | 17·18 |
| 40053526 | 32 | 10 | 40055396 | 34 | 52 | 40056544 | 34 | 49 |
| 40053528 | 32 | 26 | 40055397 | 34 | 53 | 40056548 | 4 | 42 |
| 40053532 | 32 | 12 | 40055398 | 34 | 54 | 40056552 | 38 | 25 |
| 40053580 | 26 | 1 | 40055400 | 32 | 40 | 40056554 | 4 | 17 |
| 40053581 | 26 | 6 | 40055401 | 4 | 15 | 40056556 | 28 | 44 |
| 40053583 | 26 | 8 | 40055402 | 14 | 13 | 40056557 | 14 | 40 |
| 40053584 | 28 | 52 | 40055403 | 14 | 14 | 40056558 | 20 | 56 |
| 40053585 | 28 | 50 | 40055406 | 14 | 19 | 40056564 | 28 | 54 |
| 40053586 | 26 | 9 | 40055420 | 32 | 34 | 40056604 | 22 | 12 |
| 40053587 | 26 | 11 | 40055496 | 18 | 1 | 40056861 | 10 | 33 |
| 40053588 | 28 | 43 | 40055499 | 18 | 3 | 40056861 | 38 | 4 |
| 40053592 | 26 | 12 | 40055501 | 18 | 32 | 40056945 | 12 | 36 |
| 40053598 | 26 | 13 | 40055502 | 18 | 27 | 40056969 | 14 | 8 |
| 40053602 | 26 | 16 | 40055504 | 18 | 4 | 40056970 | 12 | 23 |

NUMERICAL INDEX OF PARTS

| PART NO | PAGE | REF NO. | PART NO | PAGE | REF NO. | PART NO | PAGE | REF NO. |
|----------|------|---------|----------|------|---------|----------|------|---------|
| 40056975 | 22 | 39 | 40065718 | 26 | 3 | 40080951 | 48 | 14 |
| 40056976 | 22 | 40 | 40065720 | 36 | 15 | 40080952 | 48 | 9 |
| 40057187 | 10 | 20 | 40066024 | 38 | 8 | 40080953 | 48 | 6 |
| 40057188 | 10 | 21 | 40066041 | 36 | 18 | 40080954 | 48 | 11 |
| 40057189 | 10 | 22 | 40066124 | 32 | 4 | 40080955 | 48 | 15 |
| 40057190 | 10 | 23 | 40066193 | 34 | 46 | 40080956 | 48 | 8 |
| 40057194 | 10 | 24 | 40066195 | 32 | 45 | 40080957 | 48 | 12 |
| 40057334 | 20 | 76 | 40066198 | 14 | 34 | 40080958 | 48 | 4 |
| 40057335 | 20 | 52 | 40066231 | 14 | 32 | 40080959 | 48 | 22 |
| 40057384 | 10 | 28 | 40066691 | 20 | 54 | 40080962 | 48 | 20 |
| 40057922 | 2 | 17 | 40067261 | 28 | 46 | 40080963 | 48 | 17 |
| 40057922 | 38 | 6 | 40067671 | 28 | 48 | 40080964 | 48 | 5 |
| 40057923 | 14 | 26 | 40069623 | 4 | 9 | 40080965 | 48 | 21 |
| 40057951 | 38 | 3 | 40070282 | 42 | 17~19 | 40080968 | 48 | 10 |
| 40057960 | 38 | 14 | 40070284 | 4 | 16 | 40080969 | 48 | 19 |
| 40057974 | 32 | 28 | 40070286 | 32 | 41 | 40081293 | 22 | 15 |
| 40057983 | 10 | 12 | 40070288 | 14 | 42 | 40088328 | 38 | 16 |
| 40057990 | 2 | 16 | 40071728 | 12 | 37 | 40090758 | 46 | 5·6 |
| 40057991 | 2 | 22 | 40071949 | 44 | 23~28 | 40097677 | 36 | 13 |
| 40058088 | 4 | 23 | 40071969 | 18 | 35 | 40097679 | 36 | 3 |
| 40058626 | 22 | 17 | 40071970 | 18 | 6 | 40097680 | 36 | 7 |
| 40059167 | 4 | 43 | 40071971 | 18 | 7 | 40099886 | 22 | 6 |
| 40059249 | 2 | 4 | 40071972 | 18 | 8 | 40104568 | 6 | 56 |
| 40060607 | 18 | 37 | 40071973 | 18 | 9 | 40105360 | 4 | 37·38 |
| 40060608 | 22 | 18 | 40072395 | 2 | 14 | 40105670 | 4 | 2 |
| 40061618 | 14 | 22 | 40073193 | 38 | 29 | 40107428 | 2 | 12 |
| 40061796 | 36 | 11 | 40073193 | 40 | 29 | 40107431 | 4 | 1 |
| 40062034 | 4 | 28 | 40073194 | 36 | 21 | 40107435 | 2 | 23 |
| 40062044 | 32 | 22 | 40075482 | 42 | 17~19 | 40107439 | 4 | 11 |
| 40062047 | 32 | 23 | 40075804 | 42 | 7 | 40107442 | 34 | 55 |
| 40062048 | 32 | 24 | 40076145 | 36 | 9 | 40107448 | 4 | 13 |
| 40062143 | 38 | 7 | 40076508 | 22 | 43 | 40107451 | 4 | 19 |
| 40062144 | 14 | 29 | 40078681 | 28 | 39 | 40107452 | 4 | 21 |
| 40062407 | 12 | 31 | 40078685 | 30 | 73 | 40107455 | 4 | 4·5 |
| 40062500 | 2 | 8 | 40078686 | 30 | 71 | 40107458 | 4 | 4·5 |
| 40062518 | 10 | 27 | 40078690 | 30 | 74 | 40107467 | 42 | 8 |
| 40064224 | 14 | 23 | 40079312 | 48 | 18 | 40107476 | 14 | 4 |
| 40064571 | 2 | 31 | 40079424 | 22 | 23 | 40107480 | 4 | 37·38 |
| 40064572 | 4 | 27 | 40079614 | 22 | 16 | 40107481 | 38 | 26 |
| 40064573 | 32 | 21 | 40079741 | 44 | 23~28 | 40107483 | 44 | 21·22 |
| 40064702 | 8 | 4 | 40079795 | 48 | 23 | 40107566 | 2 | 28 |
| 40064704 | 32 | 31 | 40080780 | 46 | 12 | 40107567 | 2 | 29 |
| 40064997 | 22 | 37 | 40080802 | 42 | 17~19 | 40107577 | 6 | 44·45 |
| 40065631 | 8 | 5 | 40080949 | 48 | 13 | 40107581 | 6 | 44·45 |
| 40065716 | 38 | 2 | 40080950 | 48 | 7 | 40107585 | 4 | 6 |

NUMERICAL INDEX OF PARTS

| PART NO | PAGE | REF NO. | PART NO | PAGE | REF NO. | PART NO | PAGE | REF NO. |
|----------|------|---------|--------------|------|---------|--------------|------|---------|
| 40107588 | 32 | 11 | 40108219 | 14 | 18 | A1646010000 | 14 | 31 |
| 40107594 | 6 | 48 | 40108225 | 46 | 1 | A1650008000A | 20 | 65 |
| 40107595 | 6 | 47 | 40108226 | 46 | 2 | A1651008000 | 20 | 68 |
| 40107596 | 6 | 46 | 40108227 | 46 | 3 | A1658008000 | 20 | 69 |
| 40107598 | 4 | 7·8 | 40108228 | 46 | 4 | A18090310A0 | 22 | 31 |
| 40107599 | 4 | 7·8 | 40108229 | 46 | 9 | A1810E60000 | 22 | 2 |
| 40107600 | 4 | 36 | 40108574 | 12 | 2 | A18300310A0 | 22 | 30 |
| 40107601 | 8 | 17 | 40108579 | 12 | 1 | A1830E800B0 | 22 | 25 |
| 40107604 | 8 | 14 | 40110162 | 42 | 3 | A1830E800C0 | 22 | 24 |
| 40107606 | 12 | 3 | 40110163 | 42 | 2 | A1831031000 | 22 | 28 |
| 40107608 | 8 | 13 | 40110165 | 42 | 20 | A1832008000 | 22 | 26 |
| 40107610 | 36 | 19 | 40110417 | 8 | 11 | A1833E50000 | 22 | 33 |
| 40107612 | 12 | 14 | 40111092 | 42 | 9~13 | A1840009000 | 22 | 19 |
| 40107614 | 14 | 17 | 40111093 | 42 | 9~13 | A1841S56000 | 22 | 20 |
| 40107895 | 2 | 3 | 40111094 | 42 | 9~13 | A1843030000 | 22 | 21 |
| 40107898 | 2 | 10 | 40111151 | 8 | 1·2 | A1844030000 | 22 | 22 |
| 40107899 | 2 | 20 | 40111392 | 42 | 5 | A2110700000 | 20 | 66 |
| 40107900 | 6 | 55 | 40111549 | 8 | 1·2 | A2110700000 | 32 | 6 |
| 40107901 | 10 | 1 | 40112878 | 32 | 9 | A2444500000 | 28 | 61 |
| 40107902 | 12 | 19 | 40112904 | 48 | 2 | A3187010000 | 26 | 30 |
| 40107903 | 12 | 30 | 40114818 | 42 | 14~16 | A3205555A00 | 2 | 15 |
| 40107904 | 12 | 33 | 40114976 | 42 | 14~16 | A3205555A00 | 20 | 77 |
| 40107905 | 12 | 38 | 40115924 | 42 | 9~13 | A3233731000 | 4 | 31 |
| 40107906 | 12 | 4 | 40116031 | 36 | 14 | A3234550000 | 4 | 29 |
| 40107907 | 14 | 36 | 40117077 | 42 | 14~16 | A3235030Z00A | 4 | 30 |
| 40107908 | 14 | 38 | 40118901 | 46 | 11 | A3236880000 | 4 | 32 |
| 40107913 | 14 | 12 | 40119192 | 44 | 21·22 | A3237880000 | 4 | 33 |
| 40107914 | 18 | 10 | 40123949 | 42 | 9~13 | A3711010000A | 2 | 13 |
| 40107915 | 18 | 16 | A1111008000 | 8 | 10 | A3711010000A | 28 | 37 |
| 40107916 | 18 | 21 | A1114010000A | 8 | 3 | A3811550000 | 4 | 40 |
| 40107917 | 18 | 26 | A1117008000 | 8 | 9 | A3811550000 | 38 | 20 |
| 40107918 | 18 | 28 | A1119010000 | 8 | 15 | A3910634000B | 32 | 3 |
| 40107919 | 18 | 33 | A1138335000 | 8 | 16 | A3922980000 | 6 | 54 |
| 40107921 | 18 | 43 | A1138335000 | 22 | 42 | A407855000B | 38 | 27·31 |
| 40107924 | 20 | 59 | A1139030Z00 | 4 | 34 | A407855000B | 40 | 27·31 |
| 40107929 | 22 | 1 | A1145E50000 | 4 | 25 | A442101EZA0 | 44 | 23~28 |
| 40107930 | 34 | 58 | A1159770000 | 2 | 21 | A442150C00A | 44 | 23~28 |
| 40107931 | 32 | 30 | A1203030000 | 18 | 18 | A44219800AF | 44 | 23~28 |
| 40107932 | 38 | 24 | A1203030000 | 22 | 4 | A44219800AG | 44 | 23~28 |
| 40108204 | 4 | 20 | A1223010000 | 10 | 29 | A9101550000 | 42 | 1 |
| 40108206 | 6 | 50~53 | A1412010000 | 12 | 7 | A9103880000 | 48 | 3 |
| 40108208 | 6 | 50~53 | A1427010000A | 12 | 24 | A9110700000 | 42 | 4 |
| 40108210 | 6 | 50~53 | A1456008000A | 14 | 45 | A91330100A0 | 48 | 1 |
| 40108212 | 6 | 50~53 | A1617030000 | 12 | 34 | A9134550000 | 48 | 16 |
| 40108218 | 12 | 13 | A1624010000 | 18 | 40 | A9181008000 | 46 | 7 |

NUMERICAL INDEX OF PARTS

| PART NO | PAGE | REF NO. | PART NO | PAGE | REF NO. | PART NO | PAGE | REF NO. |
|-------------|------|---------|-------------|------|---------|-------------|------|---------|
| CM300200001 | 32 | 20 | RE0500000K0 | 20 | 78 | SM5040855SN | 4 | 41 |
| CS1000881TP | 10 | 4 | RE0500000K0 | 28 | 68 | SM5040855SN | 10 | 35 |
| E8760452B00 | 36 | 20 | RE0600000K0 | 10 | 25 | SM5040855SN | 12 | 32 |
| E8760452F00 | 38 | 28 | RE0700000K0 | 18 | 17 | SM5040855SN | 14 | 39 |
| HA00325000B | 36 | 16 | RE0700000K0 | 22 | 3 | SM5040855SN | 18 | 47 |
| J0231010A0F | 46 | 10 | RE0800000K0 | 10 | 15 | SM5040855SN | 20 | 47 |
| J0231082A00 | 46 | 14 | RE0800000K0 | 20 | 48 | SM5040855SN | 22 | 44 |
| J0233500A00 | 46 | 8 | RO133170100 | 10 | 7 | SM5040855SN | 24 | 44 |
| J0240082A00 | 46 | 13 | SL4030591SC | 34 | 56 | SM5040855SN | 28 | 70 |
| MHA100B1400 | 12 | 16 | SL4030691SC | 4 | 14 | SM5040855SN | 30 | 70 |
| NM6030002SF | 26 | 4 | SL4030691SC | 14 | 35 | SM5040855SN | 32 | 38 |
| NM6030002SF | 32 | 18 | SL4030691SC | 26 | 49 | SM5040855SN | 36 | 12 |
| NM6030002SF | 36 | 10 | SL4030691SC | 28 | 49 | SM5040855SN | 38 | 1 |
| NM6860002MZ | 28 | 62 | SL4030891SC | 4 | 10 | SM5041055SN | 38 | 15 |
| PH0300062C0 | 2 | 5 | SL4030891SC | 14 | 46 | SM5041455SN | 10 | 31 |
| PH0300182C0 | 4 | 24 | SL4030891SC | 26 | 5 | SM5041455SN | 18 | 42 |
| PS0200082KP | 12 | 11 | SL4031091SC | 14 | 28 | SM8030312TP | 10 | 18 |
| PS0200082KP | 18 | 2 | SL4032081SC | 32 | 17 | SM8030312TP | 12 | 35 |
| PS0200082KP | 26 | 10 | SL4032591SC | 36 | 6 | SM8030312TP | 14 | 43 |
| PS0200122KP | 18 | 73 | SL4040691SC | 12 | 29 | SM8030312TP | 20 | 58 |
| PS0200122KP | 20 | 73 | SL4051485SE | 38 | 13 | SM8030312TP | 26 | 51 |
| PS0200182KP | 32 | 2 | SL5030531SF | 14 | 11 | SM8030312TP | 28 | 51 |
| PS020082KP | 12 | 39 | SL5030531SF | 28 | 55 | SM8030312TP | 36 | 2 |
| PS0400222KP | 10 | 3 | SL5040835SN | 34 | 51 | SM8030612TP | 18 | 41 |
| RC0370411KP | 10 | 26 | SL6041692TN | 22 | 9 | SM8030612TP | 38 | 12 |
| RE0150000K0 | 26 | 17 | SM4020201SC | 8 | 7 | SM8040412TP | 2 | 2 |
| RE0200000K0 | 12 | 22 | SM4020301SC | 8 | 8 | SM8040412TP | 12 | 25 |
| RE0200000K0 | 28 | 40 | SM4020401SC | 20 | 63 | SM8040412TP | 18 | 75 |
| RE0200000K0 | 32 | 35 | SM4020401SF | 8 | 12 | SM8040412TP | 20 | 75 |
| RE0300000K0 | 12 | 40 | SM4831001SF | 34 | 50 | SM8040412TP | 22 | 34 |
| RE0300000K0 | 14 | 3 | SM5020301SC | 22 | 41 | SM8040602TP | 14 | 16 |
| RE0300000K0 | 18 | 13 | SM5020855SN | 36 | 22 | SM8050512TN | 10 | 30 |
| RE0300000K0 | 26 | 72 | SM5030455SF | 32 | 37 | SM8050602TP | 14 | 20 |
| RE0300000K0 | 30 | 72 | SM5030455SF | 36 | 17 | ST5030851SN | 2 | 6 |
| RE0300000K0 | 32 | 44 | SM5030455SN | 14 | 41 | ST5030851SN | 6 | 57 |
| RE0400000K0 | 2 | 7 | SM5030655SN | 18 | 36 | ST5030851SN | 32 | 14 |
| RE0400000K0 | 10 | 34 | SM5030655SN | 22 | 46 | ST5031051SN | 4 | 49 |
| RE0400000K0 | 14 | 48 | SM5030655SN | 24 | 46 | ST5031051SN | 6 | 49 |
| RE0400000K0 | 16 | 48 | SM5030655SN | 26 | 45 | ST5031051SN | 38 | 22 |
| RE0400000K0 | 18 | 55 | SM5030655SN | 28 | 45 | ST5031251SS | 4 | 3 |
| RE0400000K0 | 20 | 55 | SM5030655SN | 32 | 29 | ST5041051SN | 36 | 1 |
| RE0400000K0 | 26 | 67 | SM5030655SN | 36 | 8 | WP0210516SD | 20 | 64 |
| RE0400000K0 | 28 | 67 | SM5031001SE | 34 | 47 | WP0310516RZ | 28 | 41 |
| RE0400000K0 | 36 | 4 | SM5031401SC | 32 | 42 | WP0320501SC | 32 | 36 |
| RE0400000K0 | 38 | 11 | SM5040855SN | 2 | 26 | WP0410516RZ | 18 | 14 |

NUMERICAL INDEX OF PARTS

| PART NO | PAGE | REF NO. |
|-------------|------|---------|
| WP0410516RZ | 26 | 23 |
| WP0430801SC | 40 | 30 |
| WP0520516RZ | 14 | 27 |
| WP0520516RZ | 18 | 29 |
| WP0520516RZ | 26 | 58 |
| WP0520516RZ | 28 | 58 |
| WP0620516RZ | 22 | 45 |
| WP0620516RZ | 24 | 45 |
| WP0621016SD | 20 | 80 |
| WP1021016SD | 20 | 50 |
| WZ0320290UZ | 12 | 20 |
| WZ1052010KP | 20 | 49 |