



# Parts Manual

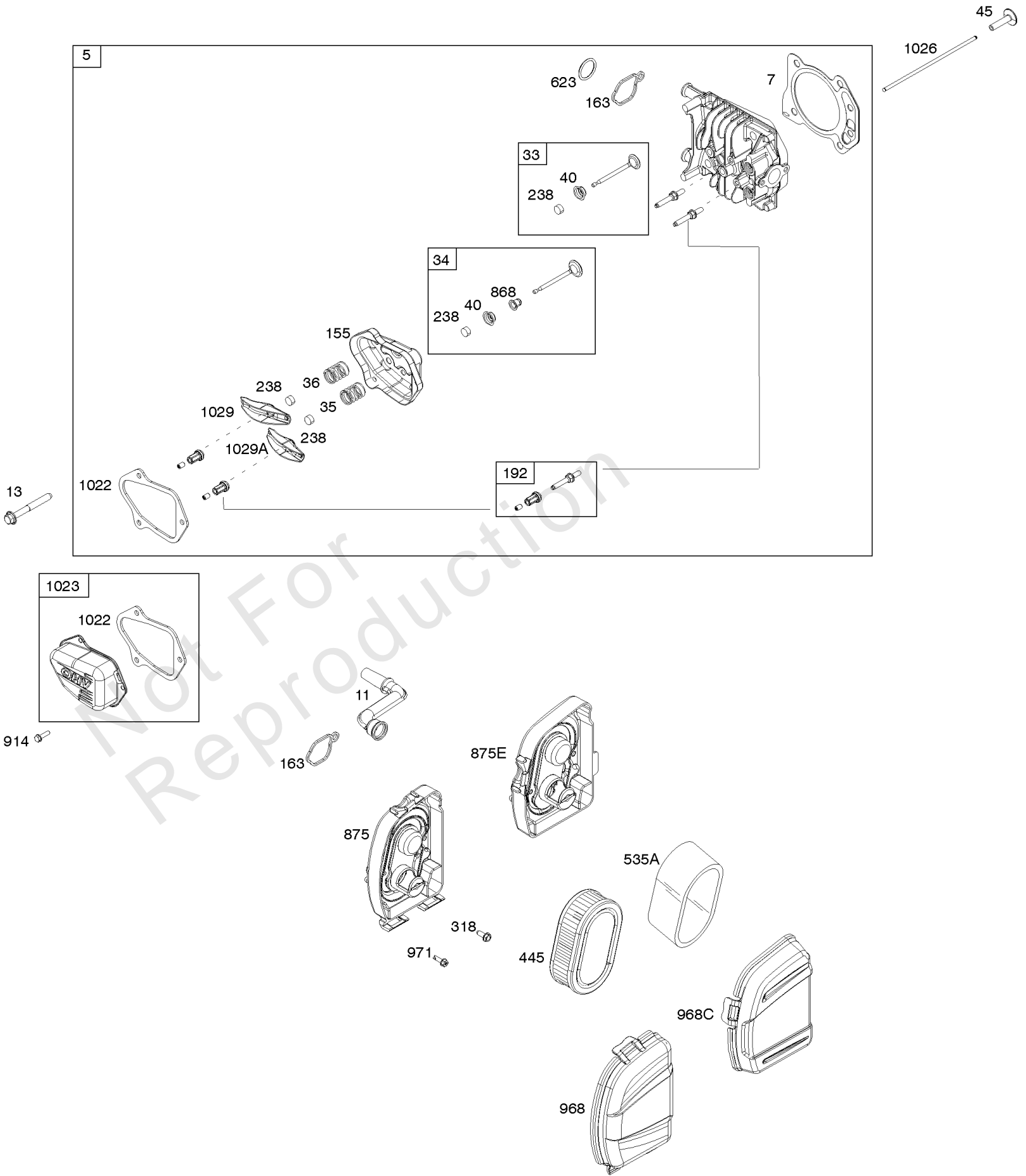
Mfg. No: 104M05-0064-H1



---

<b>Model Components</b>	<b>Page</b>
Air Cleaner, Cylinder Head. ....	4
Armature, Controls, Electrical System, Governor Spring, Spark Plug. ....	6
Blower Housing, Controls, Electrical System, Flywheel. ....	8
Blower Housing, Flywheel, Rewind Starter. ....	10
Blower Housing, In-Start, Motor-Starter. ....	12
Camshaft, Crankshaft, Cylinder, Gasket Set, Piston/Rings/Connecting Rod, Sump, Warning Label. ....	14
Carburetor. ....	18
Exhaust System, Fuel Supply. ....	20
Replacement Engine. ....	22

Not For  
Reproduction

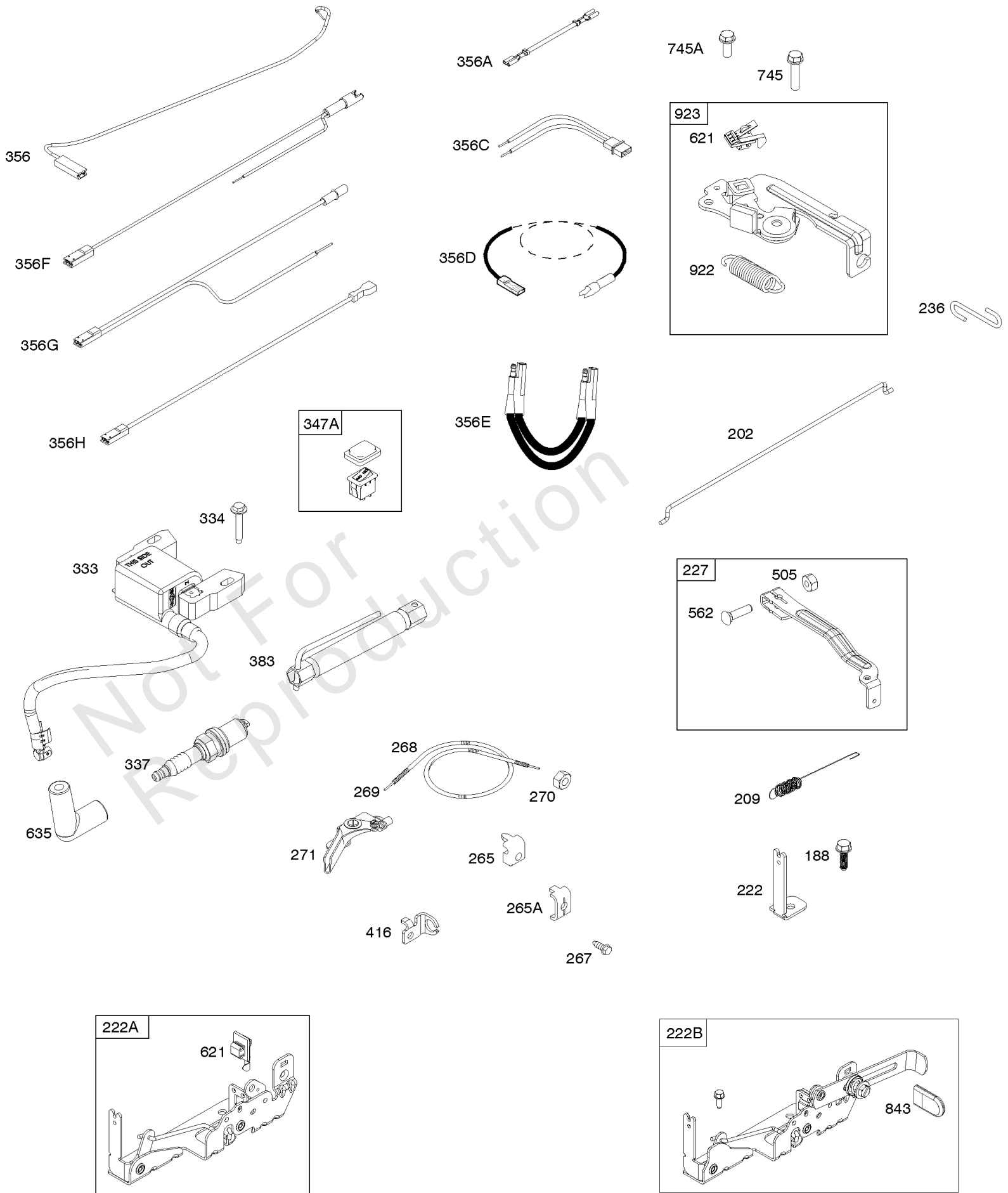


## Air Cleaner, Cylinder Head

REF NO	PART NO	QTY	DESCRIPTION
5	595353		Head-Cylinder
7	592358		Gasket-Cylinder Head
11	590522		TUBE, Breather
13	590512		Screw -(Cylinder Head)
33	594095		Valve-Exhaust
34	594094		Valve-Intake
35	590532		Spring-Valve -(Intake)
36	590532		Spring-Valve -(Exhaust)
40	594092		Retainer-Valve
45	590514		Tappet-Valve
155	594093		Plate-Cylinder Head
163	799580		Gasket-Air Cleaner
192	590535		Adjuster-Rocker Arm
238	594097		Cap-Valve
318	793480		SCREW -(Mounting Bracket)
445	593260		FILTER, A/C Cartridge
535A	595191		FILTER, Air Cleaner Foam
623	799581		Seal-O Ring -(Carburetor Spacer)
868	594096		Seal-Valve -(Intake)
875	594107		Base-Air Cleaner
875E	594574		BASE, Air Cleaner
914	591103		Screw -(Rocker Cover)
968	594106		Cover-Air Cleaner
968C	594575		COVER, Air Cleaner
971	590552		SCREW -(Air Cleaner Base to Carburetor/Throttle Body)
1022	595342		Gasket-Rocker Cover
1023	595352		Cover-Rocker
1026	590515		Rod-Push
1029	590526		Arm-Rocker -(Exhaust)
1029A	590527		Arm-Rocker -(Intake)

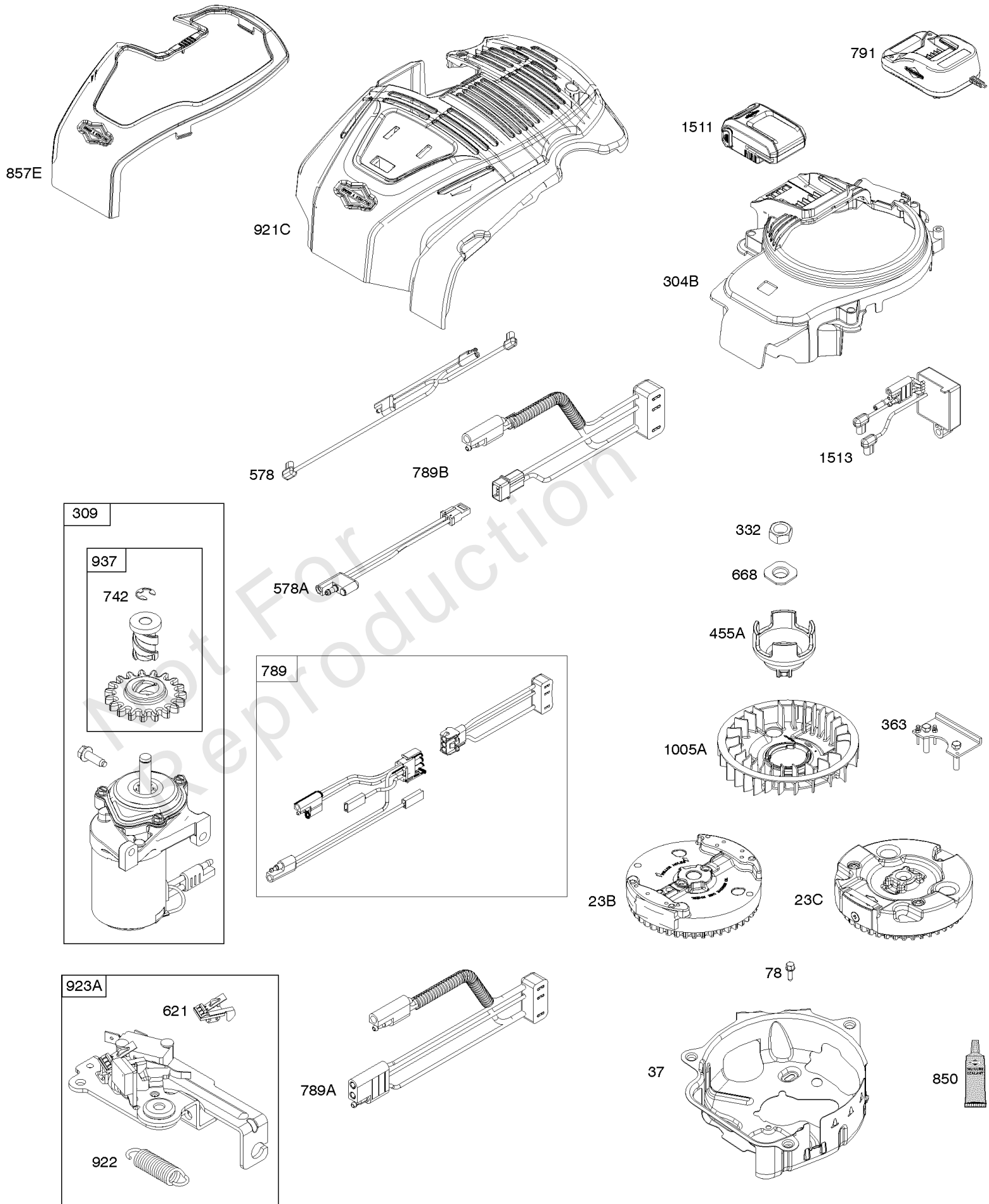
# Armature, Controls, Electrical System, Governor Spring, Spark Plug

Mfg. No: 104M05-0064-H1



## Armature, Controls, Electrical System, Governor Spring, Spark Plug

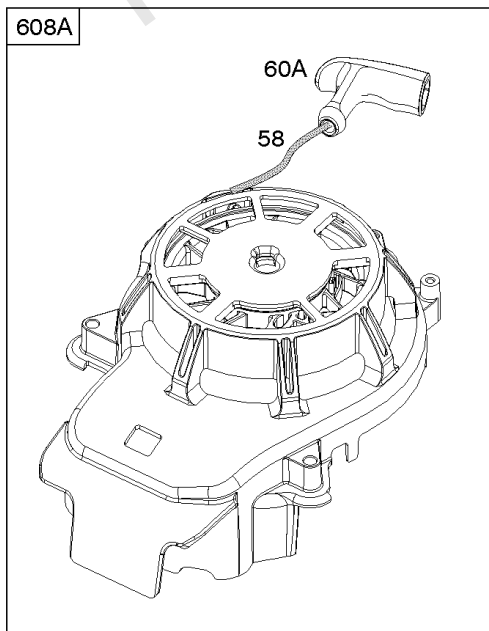
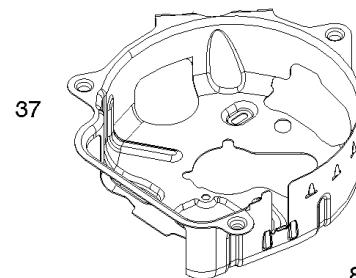
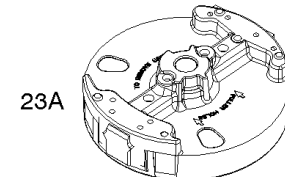
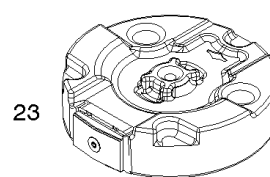
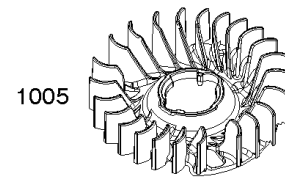
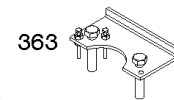
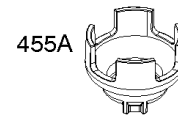
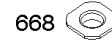
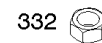
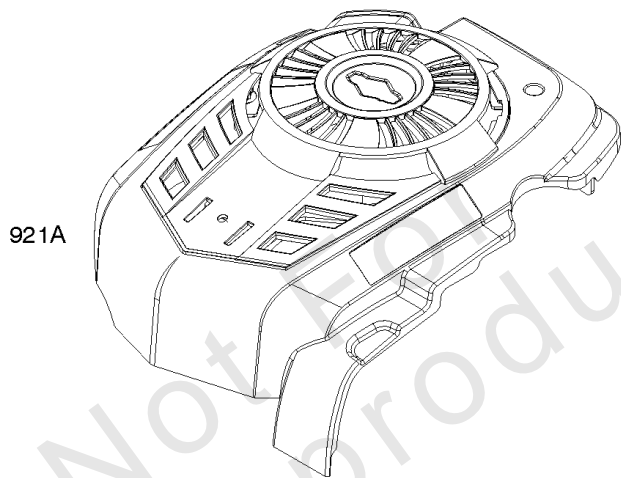
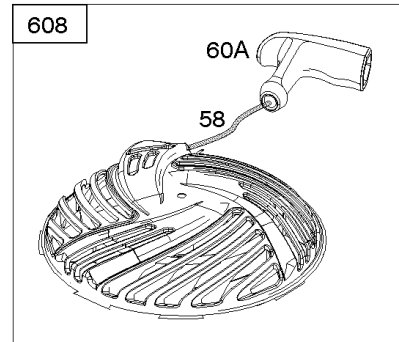
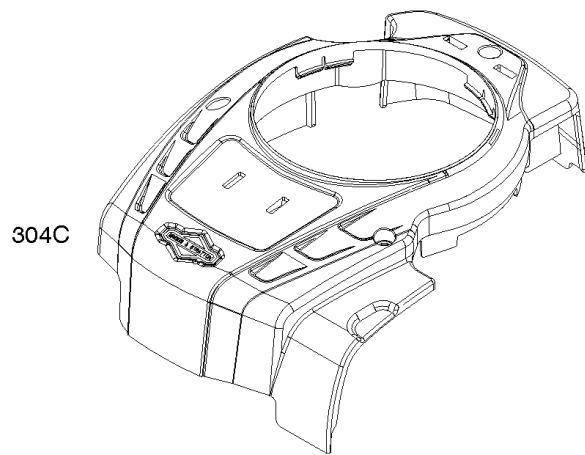
REF NO	PART NO	QTY	DESCRIPTION
188	793480		SCREW -(Control Bracket)
202	590517		Link-Mechanical Governor
209	594506		Spring-Governor
222	590560		Bracket-Control
222A	596458		Bracket-Control -Used After Code Date 17010100
222A	590561		Bracket-Control -Used Before Code Date 17010200
222B	593221		Bracket-Control -Used Before Code Date 17010200
222B	596465		Bracket-Control -Used After Code Date 17010100
227	590520		Lever-Governor Control
236	591292		Link-Lockout
265	690798		Clamp-Casing
265A	691024		CLAMP, Casing
267	691044		SCREW -(Casing Clamp)
268	691025		CASING, Control Wire -(Cut To Required Length)
269	691026		WIRE, Control -(Cut To Required Length)
270	691027		NUT -(Control Wire Casing)
271	691028		Lever-Control
333	595009		Armature-Magneto
334	691061		SCREW -(Magneto Armature)
337	792015		PLUG, Spark -(Resistor)
347A	592694		Switch-Rocker
356	84002396		WIRE, Stop
383	19576S		WRENCH, Spark Plug
416	595196		Bracket-Throttle Cable
505	793515		NUT -(Governor Control Lever)
562	793514		Bolt -(Governor Control Lever)
621	692310		Switch-Stop
635	692076		BOOT, Spark Plug
745	691146		Screw -(Brake)
745A	690859		Screw -(Brake)
843	593215		Sleeve-Lever
922	692135		Spring-Brake
923	691487		Brake





## ***Blower Housing, Controls, Electrical System, Flywheel***

REF NO	PART NO	QTY	DESCRIPTION
23B	595183		Flywheel
37	595188		Guard-Flywheel
78	793480		SCREW -(Flywheel Guard)
304B	595186		Housing-Blower
309	594360		Motor-Starter
332	690662		Nut -(Flywheel)
363	19619		PULLER, Flywheel
455A	593960		Cup-Flywheel
578	595181		Wire Assembly
621	692310		Switch-Stop
668	590546		Spacer -(Flywheel)
742	93941		RETAINER, E Ring
789	596005		Harness-Wiring
791	593561		CHARGER, Battery (Instart)(North America) -(Instart)(North America)
791	593562		CHARGER, Battery (Instart)(Europe) -(Instart)(Europe)
791	593576		CHARGER, Battery (Instart)(United Kingdom) -(Instart)(United Kingdom)
791	595887		CHARGER, Battery (Instart)(Australia) -(Instart)(Australia)
850	100106		SEALANT, Liquid
857E	595207		Trim-Blower Housing Cover
921C	595180		Cover-Blower Housing
922	692135		Spring-Brake
923A	595195		Brake
937	799420		Spline-Starter
1005A	595182		Fan-Flywheel
1511	593560		BATTERY (Instart)(Europe) -(Instart)(Europe)
1511	593559		BATTERY (Instart)(North America) -(Instart)(North America)
1513	595382		Module-Starter

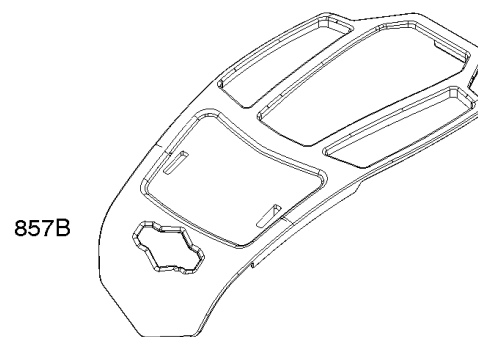
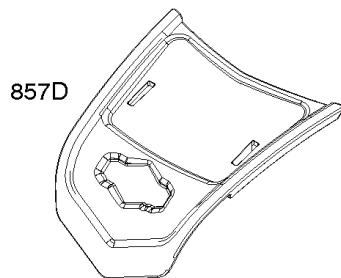
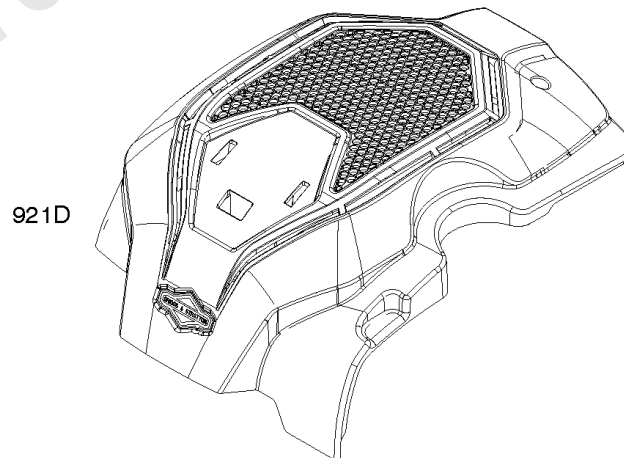
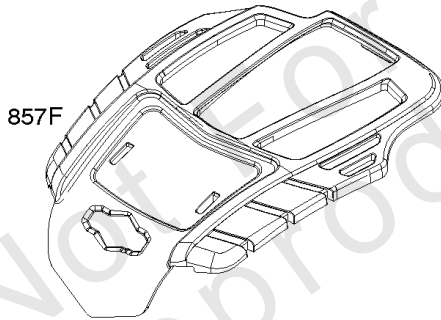
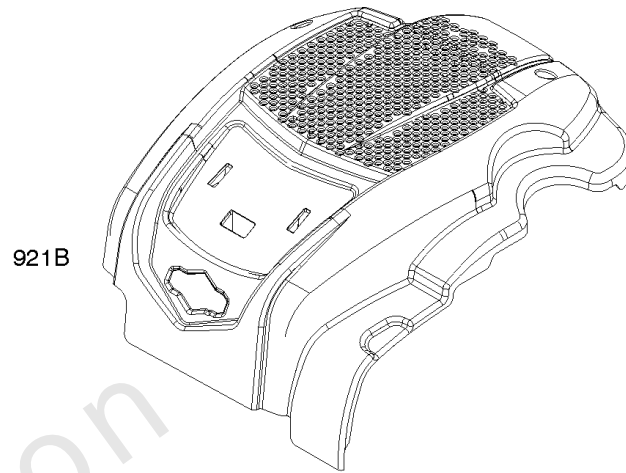
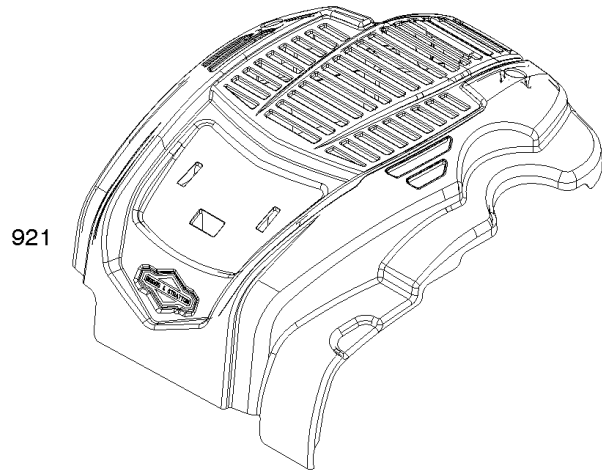


## ***Blower Housing, Flywheel, Rewind Starter***

REF NO	PART NO	QTY	DESCRIPTION
37	595188		Guard-Flywheel
58	591108		Rope-Starter
60A	281434S		Grip-Starter Rope
78	793480		SCREW -(Flywheel Guard)
305	590586		SCREW -(Blower Housing)
332	690662		Nut -(Flywheel)
363	19619		PULLER, Flywheel
455A	593960		Cup-Flywheel
668	590546		Spacer -(Flywheel)
850	100106		SEALANT, Liquid
921A	594550		Cover-Blower Housing
1005	594102		Fan-Flywheel

Not For  
Reproduction

969 

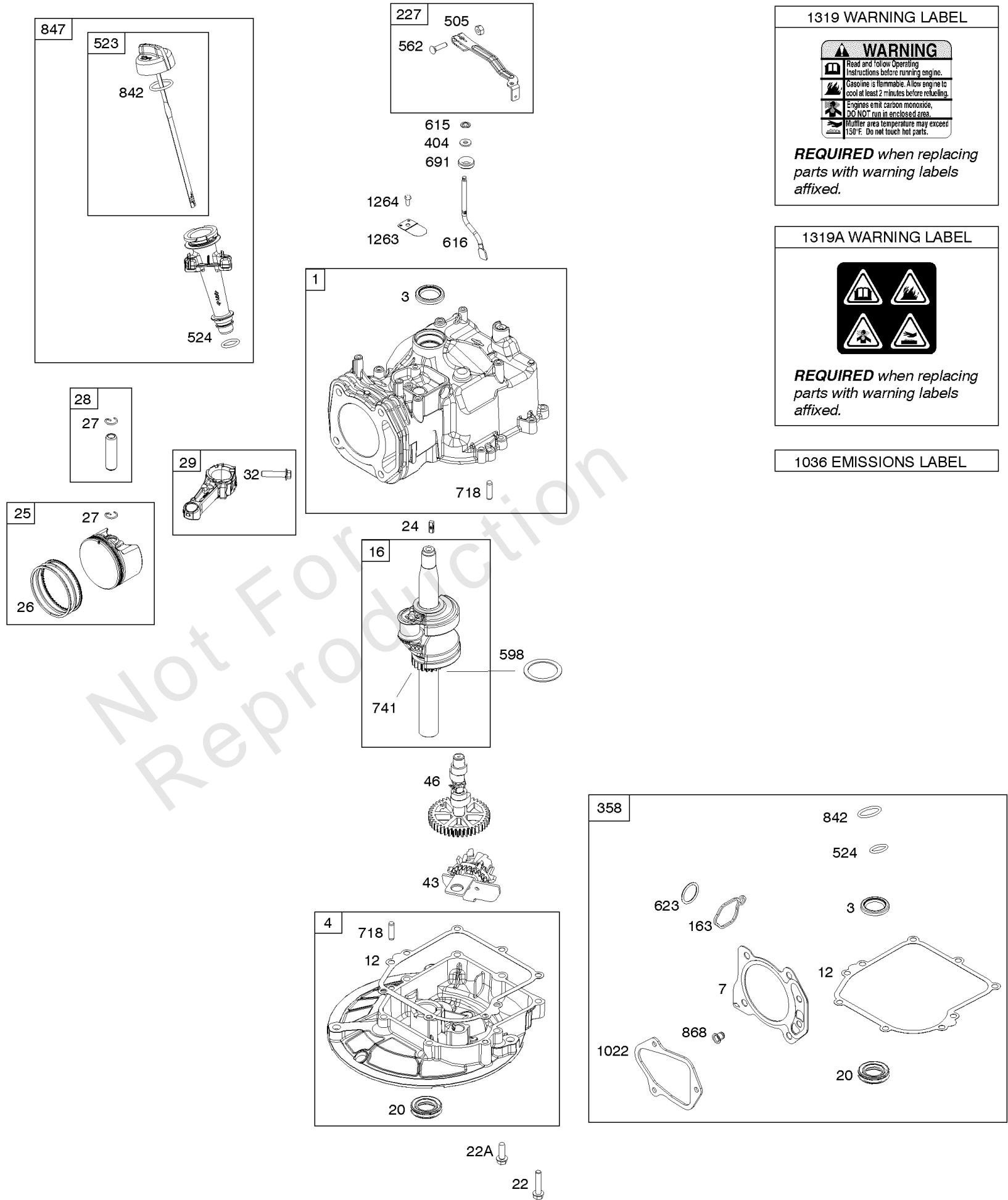


## ***Blower Housing, In-Start, Motor-Starter***

---

<b>REF NO</b>	<b>PART NO</b>	<b>QTY</b>	<b>DESCRIPTION</b>
857B	594111		Trim-Blower Housing Cover
857D	596037		Trim-Blower Housing Cover
857F	596095		Trim-Blower Housing Cover
921	594116		COVER, Blower Housing
921B	595212		COVER, Blower Housing
921D	596507		Cover-Blower Housing
969	594115		SCREW -(Blower Housing Cover)

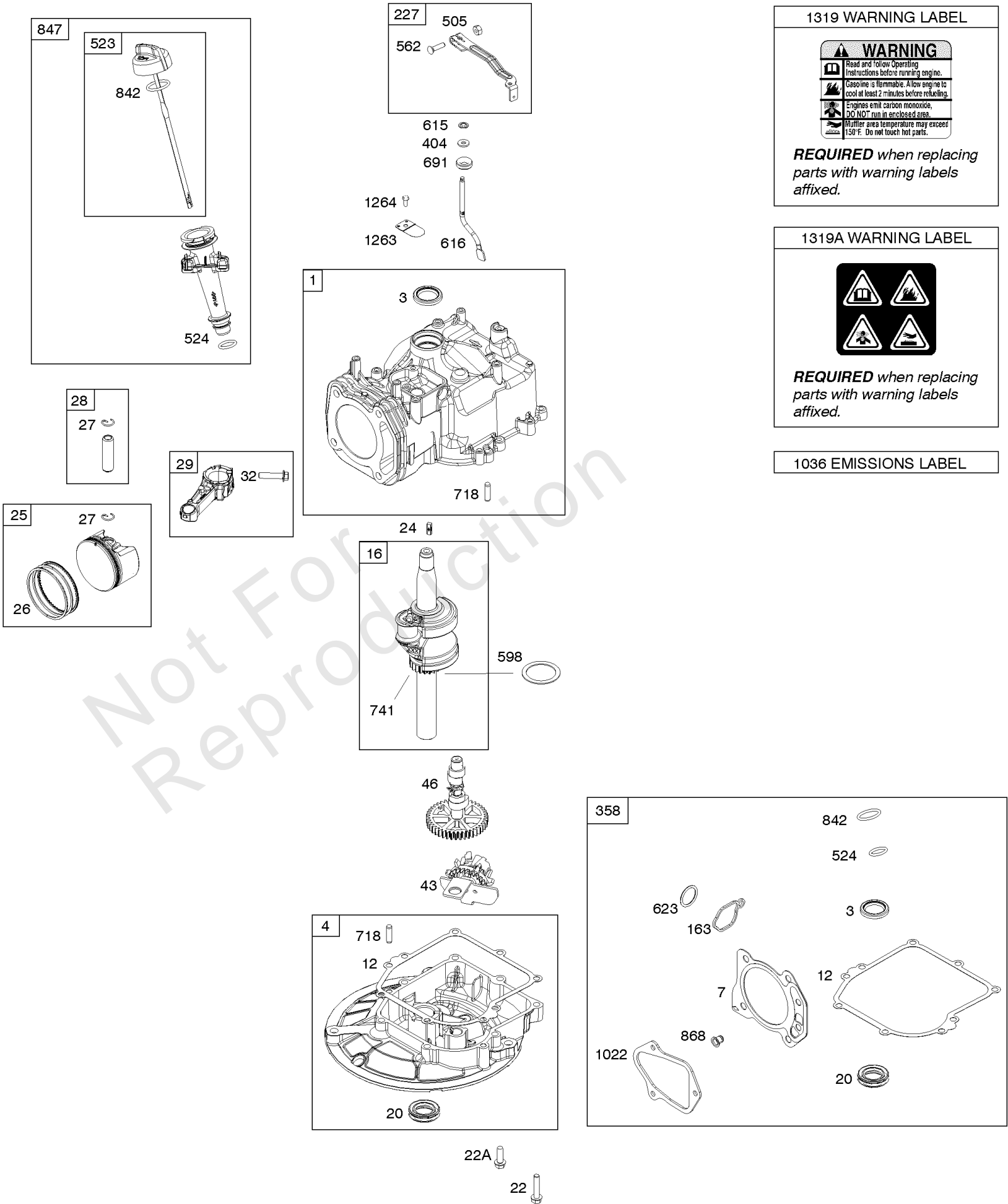
Not For  
Reproduction



Not For Reproduction

## Camshaft, Crankshaft, Cylinder, Gasket Set, Piston/Rings/Connecting Rod, Sump,

REF NO	PART NO	QTY	DESCRIPTION
1	595179		Cylinder Assembly
3	299819S		SEAL, Oil -(Magneto Side)
4	594101		Sump-Engine
7	592358		Gasket-Cylinder Head
12	799587		Gasket-Crankcase
16	594572		Crankshaft
20	399781S		Seal-Oil -(PTO Side)
22	692551		Screw -(Crankcase Cover/Sump)
22A	590763		Screw -(Crankcase Cover/Sump)
24	222698S		KEY, Flywheel
25	594099		Piston Assembly -(Standard)
26	594098		Ring Set -(Standard)
27	691588		Lock-Piston Pin
28	298909		Pin-Piston
29	594089		Rod-Connecting
32	691664		Screw -(Connecting Rod)
43	697799		Slinger-Governor/Oil
46	594090		Camshaft
163	799580		Gasket-Air Cleaner
227	590520		Lever-Governor Control
358	595354		SET, Engine Gasket
404	690272		WASHER -(Governor Crank)
505	793515		NUT -(Governor Control Lever)
523	796503		DIPSTICK
524	691876		Seal-O Ring
562	793514		Bolt -(Governor Control Lever)
598	592587		Shim-End Play -(Crankshaft or Camshaft Bearing)
615	690340		RETAINER, Governor Shaft
616	590516		CRANK, Governor
623	799581		Seal-O Ring -(Carburetor Spacer)
691	593837		Seal-Governor Shaft
718	690959		PIN, Locating -(Crankcase Cover/Sump)
741	594105		Gear-Timing -(Plastic)
842	691031		SEAL, O-Ring -(Dipstick Tube)
847	594110		Dipstick/Tube Assembly
868	594096		Seal-Valve -(Intake)
1022	595342		Gasket-Rocker Cover
1036	-----		Label-Emissions -(Available From A Briggs & Stratton Authorized Dealer)
1263	697124		REED, Breather



1319 WARNING LABEL

**WARNING**

Read and follow Operating instructions before running engine.

Gasoline is flammable. Allow engine to cool at least 2 minutes before refueling.

Engines emit carbon monoxide, **DO NOT** run in enclosed area.

Muffler area temperature may exceed 150° F. Do not touch hot parts.

**REQUIRED** when replacing parts with warning labels affixed.

1319A WARNING LABEL

**REQUIRED** when replacing parts with warning labels affixed.

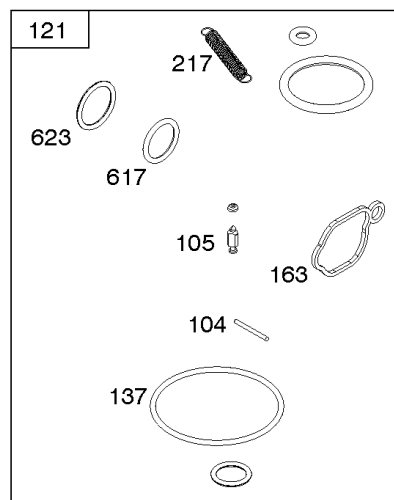
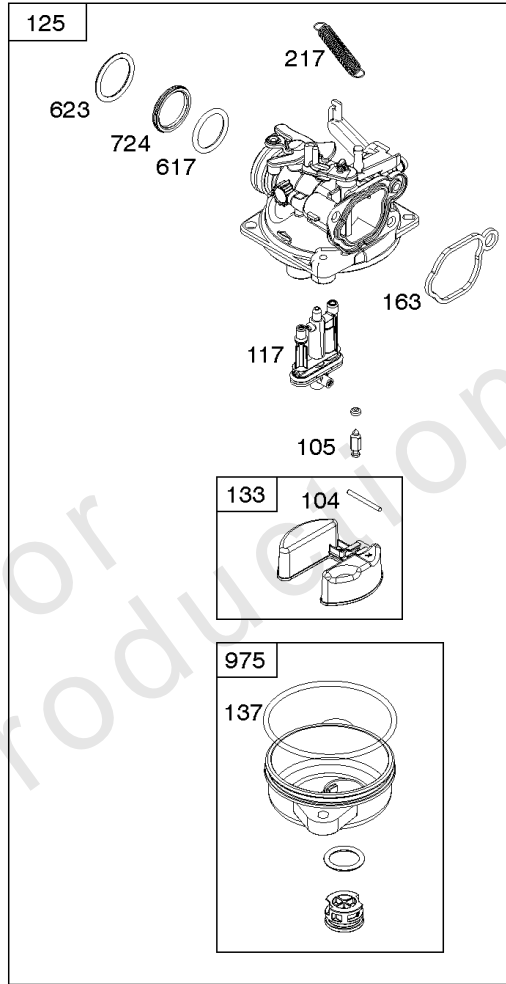
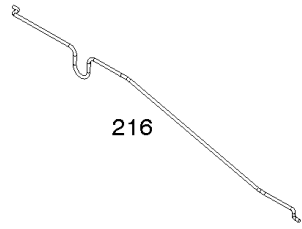
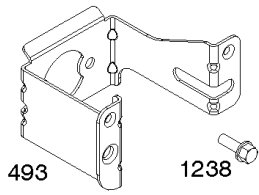
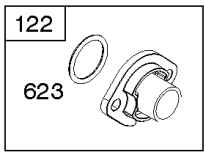
1036 EMISSIONS LABEL



**Camshaft, Crankshaft, Cylinder, Gasket Set, Piston/Rings/Connecting Rod, Sump,**

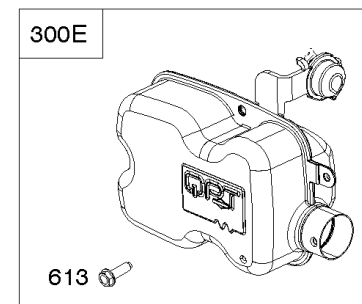
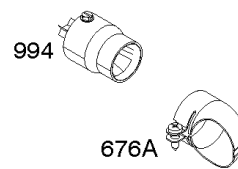
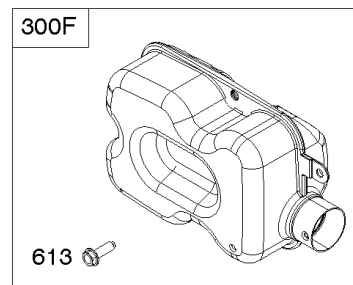
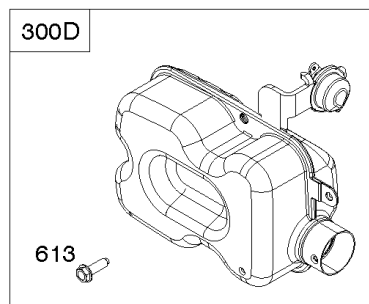
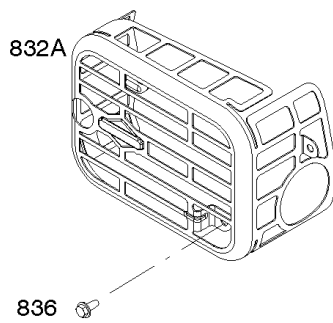
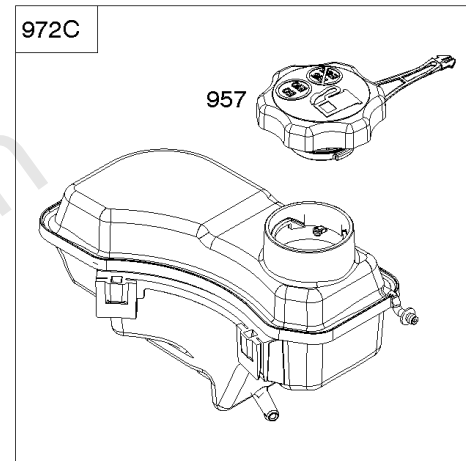
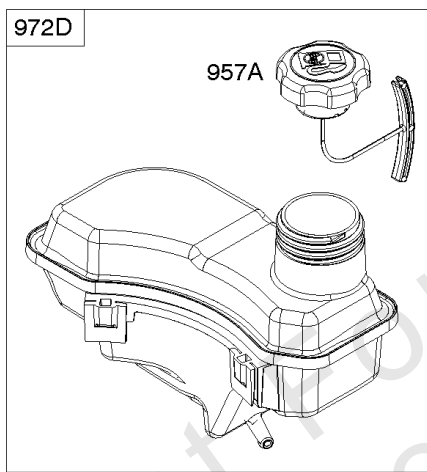
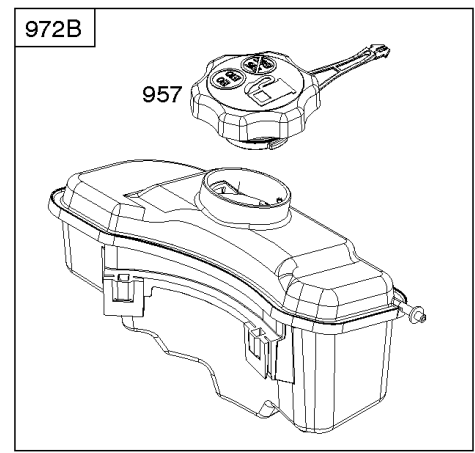
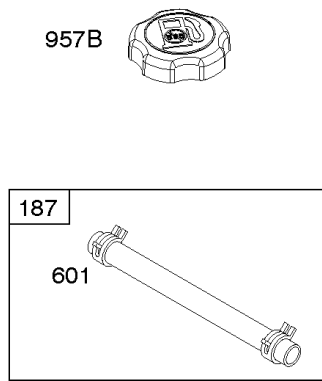
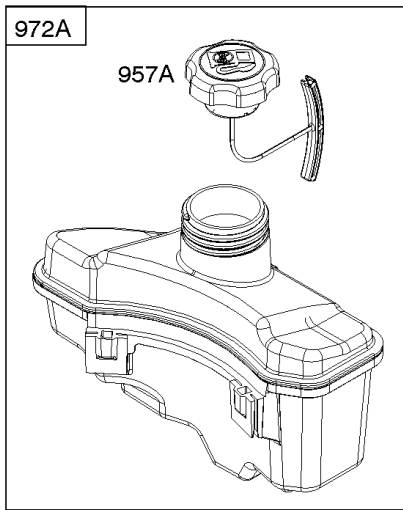
REF NO	PART NO	QTY	DESCRIPTION
1264	793453		SCREW -(Breather Reed)
1319	794467		LABEL, Warning
1319A	797669		LABEL, Warning

Not For  
Reproduction



## Carburetor

REF NO	PART NO	QTY	DESCRIPTION
104	590558		Pin-Float Hinge
105	594581		Valve-Float Needle
117	596862		JET, Main -(Standard) -Used Before Code Date 18070100
117	84001923		JET, Main -(Standard) -Used After Code Date 18063000
118	596863		JET, Main -(High Altitude) -Used Before Code Date 18070100
118	84002024		JET, Main -(High Altitude) -Used After Code Date 18063000
121	590589		Kit-Carburetor Overhaul -Used Before Code Date 15030900
121	594636		KIT, Carburetor Overhaul -Used After Code Date 15030800
122	590549		Spacer-Carburetor
125	594926		Carburetor -Used Before Code Date 18070100
125	84001033		CARBURETOR -Used After Code Date 18063000
133	591120		Float-Carburetor
137	593235		Gasket-Float Bowl -(Pack of 5) -Used Before Code Date 15030900
137	594633		Gasket-Float Bowl -(Pack of 5) -Used After Code Date 15030800
163	799580		Gasket-Air Cleaner
216	590547		Link-Choke
217	590740		Spring-Choke Return
493	593330		Bracket-Mounting -(Carburetor)
617	270344S		Seal-O Ring -(Intake Manifold)
623	799581		Seal-O Ring -(Carburetor Spacer)
724	697478		Retainer-Seal
951	591104		Lever-Choke
975	591492		Bowl-Float -Used Before Code Date 15030900
975	594632		Bowl-Float -Used After Code Date 15030800
1127	590554		Screw -(Float Bowl to Carburetor Body)
1238	590562		SCREW -(Carburetor Spacer)



## Exhaust System, Fuel Supply

REF NO	PART NO	QTY	DESCRIPTION
187	791766		LINE, Fuel -(Cut To Required Length)
300D	594108		MUFFLER
300E	595012		Muffler
300F	596511		Muffler
601	791850		CLAMP, Hose
613	590562		SCREW -(Muffler)
676A	594563		DEFLECTOR, Muffler
832A	594109		GUARD, Muffler
836	690661		SCREW -(Muffler Guard)
957	594061		Cap-Fuel Tank
957A	596206		CAP, Fuel Tank
972A	596207		TANK, Fuel
972B	594112		TANK, Fuel
972C	596506		Tank-Fuel
972D	596513		Tank-Fuel
994	594562		Arrestor-Spark

Not For  
Reproduction

## Replacement Engine

REF NO	PART NO	QTY	DESCRIPTION
	-----		Top No-Load Speed: 2900 -Trim: H1

Not For  
Reproduction

