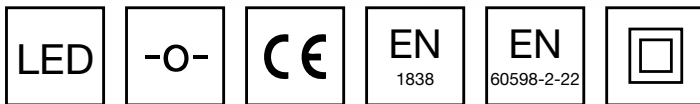


COMBO EMERGENCY / EXIT LIGHT



Teknoware Combo is a combination light, which can be used as both an emergency and emergency exit light. Fitted with a rotatable sign, Combo can show the direction arrow pointing up, down, left and right. When using Combo as an emergency light, the sign is not installed. Combo's versatility makes it a cost-effective light and the ideal choice when you want a single fixture for your entire property's needs.

5-year warranty

Fitted with a rotatable sign, Combo can show the direction arrow pointing up, down, left and right.

Available as a centrally supplied and self-contained light.

Viewing distance: 25 m

Protection rating: IP40 (or IP54 with an additional seal (sold separately))

Installation: both surface and semi-flush mounted

Self-contained lights use a LiFePO4 battery

The product codes starting with letter Y include an individually packed luminaire, and the pictogram/s mentioned in the table. The product codes starting with TW include the luminaire only.

OTHER ACCESSORIES FOR EMERGENCY LIGHTS

Product Code	Product Name	Compatible Product Groups
TWTB110	Combo IP54 gasket TWTB110	Other Accessories for Emergency Exit Lights

We reserve the rights to make modifications without notice.

Copyright © 2020 Teknoware. All rights reserved.

Date: March 07, 2020 | Source:

www.teknoware.com/en/emergency-lighting/emergency-exit-lights/emergency-exit-light-product-families/combo-emergency-exit-light



SELF-CONTAINED EMERGENCY EXIT LIGHTS WITH BATTERY AND SELF-TESTING

Product Code	Nominal Supply Voltage	Pictogram	Pictogram Info	Backup (h)
TWTB152WM	220-240 V, 50/60 Hz AC		1-sided, 25 m	1
TWTB153WM	220-240 V, 50/60 Hz AC		1-sided, 25 m	3
YB152WM120	220-240 V, 50/60 Hz AC		1-sided, 25 m	1
YB153WM120	220-240 V, 50/60 Hz AC		1-sided, 25 m	3

SELF-CONTAINED EMERGENCY EXIT LIGHTS WITH BATTERY AND WIRELESS CENTRAL MONITORING

Product Code	Nominal Supply Voltage	Pictogram	Pictogram Info	Backup (h)
TWTB152WA	220-240 V, 50/60 Hz AC		1-sided, 25 m	1
TWTB153WA	220-240 V, 50/60 Hz AC		1-sided, 25 m	3
YB152WA120	220-240 V, 50/60 Hz AC		1-sided, 25 m	1
YB153WA120	220-240 V, 50/60 Hz AC		1-sided, 25 m	3

ADDRESSABLE 230 V CENTRALLY SUPPLIED EMERGENCY EXIT LIGHTS

Product Code	Nominal Supply Voltage	Pictogram	Pictogram Info
TWTB151WK	220-240 V, 50/60 Hz AC, DC		1-sided, 25 m
YB151WK120	220-240 V, 50/60 Hz AC, DC		1-sided, 25 m

NON-ADDRESSABLE 230 V CENTRALLY SUPPLIED EMERGENCY EXIT LIGHTS

Product Code	Nominal Supply Voltage	Pictogram	Pictogram Info
TWTB171W	24-230 V, 50/60 Hz AC, DC		1-sided, 25 m
YB171W120	24-230 V, 50/60 Hz AC, DC		1-sided, 25 m

PICTOGRAMS FOR EMERGENCY EXIT LIGHTS

Product Code	Pictogram	Viewing Distance (m)	Compatible Product Groups
PBB100		25	

OPTIONAL MOUNTING ACCESSORIES FOR EMERGENCY EXIT LIGHTS

We reserve the rights to make modifications without notice.

Copyright © 2020 Teknoware. All rights reserved.

Date: March 07, 2020 | Source:

www.teknoware.com/en/emergency-lighting/emergency-exit-lights/emergency-exit-light-product-families/combo-emergency-exit-light



Product Code	Product Name	Compatible Product Groups
TWTB101	Combo recess mounting frame TWTB101	Combo Emergency / Exit Light, Combo Emergency / Exit Light
TWTB103	Combo flag bracket TWTB103	Combo Emergency / Exit Light, Combo Emergency / Exit Light
TWTB104	Combo ceiling bracket TWTB104	Combo Emergency / Exit Light, Combo Emergency / Exit Light
TWTB105	Combo suspension bracket TWTB105	Combo Emergency / Exit Light, Combo Emergency / Exit Light

We reserve the rights to make modifications without notice.

Copyright © 2020 Teknoware. All rights reserved.

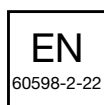
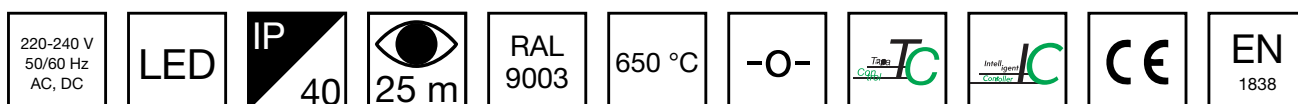
Date: March 07, 2020 | Source:

www.teknoware.com/en/emergency-lighting/emergency-exit-lights/emergency-exit-light-product-families/combo-emergency-exit-light



Teknoware Oy | P.O. Box 19, 15101 Lahti | Ilmarisentie 8, 15200 Lahti Finland
 Tel +358 3 883 020 | VAT-number FI01494751 | teknoware.com | emexit@teknoware.com

EASY COMBO EMERGENCY LIGHT OR EMERGENCY EXIT LIGHT TWTB151WK



Addressable 230 V centrally supplied Emergency / Exit Light.

Teknoware Easy Combo is a combination light, which can be used as either an emergency or emergency exit light. When fitted with the rotatable sign, Combo can show the direction arrow pointing up, down, left or right. When Combo is used as an emergency light, the sign is not installed.

Easy Combo can easily be surface or semi-flush mounted thanks to its practical design. Easy's wide product family offers an ideal choice when you want a single fixture for your entire property's needs.

INDIVIDUALLY PACKED LIGHTS

The product codes starting with letter Y include an individually packed luminaire, and the pictogram/s mentioned in the table. The product codes starting with TW include the luminaire only.

Product Code	Pictogram	Pictogram code	Pictogram Info
YB151WK120			1-sided, 25 m

Product Code	TWTB151WK
Feature	Intelligent Controller, Tapsa Control
Mounting (standard)	wall, ceiling, surface, recess
Customs Code	94056080
GTIN Code	6438045024950
ETIM Product Class	EC001957
Length	265 mm
Width	137 mm
Height	53 mm
Weight	0.45 kg
Max Input Power VA	5,7 VA
Max Input Power W	3,4 W
Nominal Supply Voltage	220-240 V, 50/60 Hz AC, DC
Protection Class	II
IP Class	IP40
Temperature Range Min - Max	-30...+50 °C
Glow Wire Test of Plastic Materials	650 °C
Viewing Distance	25 m
Light Source	LED
Body Material	plastic

We reserve the rights to make modifications without notice.

Copyright © 2020 Teknoware. All rights reserved.

Date: December 30, 2020 | Source:

www.teknoware.com/en/emergency-lighting/easy-combo-emergency-light-or-emergency-ex-it-light-twtb151wk

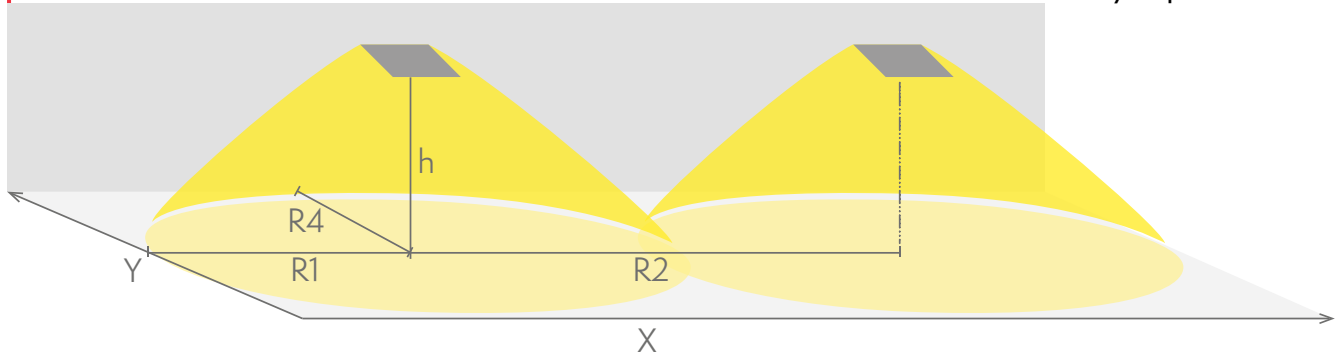


Colour	RAL9003
Electrical Installation	2/3 x 2,5 mm ²
Luminous Flux	170 lm

Emergency lighting for escape routes (ceiling mounting)

Table of 1 lux for escape routes in the middle line according to the norm EN 1838.

Level of measurement 0,02 m, measurement result with battery operation.



R1 distance from wall (X axis)

R2 installation distance between lights (X axis)

R4 distance from wall (Y axis)

TWTB151WK

Mounting height (m)	Below the light lux	R1 (m)	R2 (m)	R4 (m)
		1 lux	1 lux	1 lux
2,5	7	3	8	1
3	5	3	8.5	1
4	2.5	3	9.5	1

Emergency lighting for open areas (ceiling mounting)

Table of 0,5 lux for open areas according to the norm EN 1838, 0,5 m edge district is considered in the table.

Level of measurement 0,02 m, measurement result with battery operation.

We reserve the rights to make modifications without notice.

Copyright © 2020 Teknoware. All rights reserved.

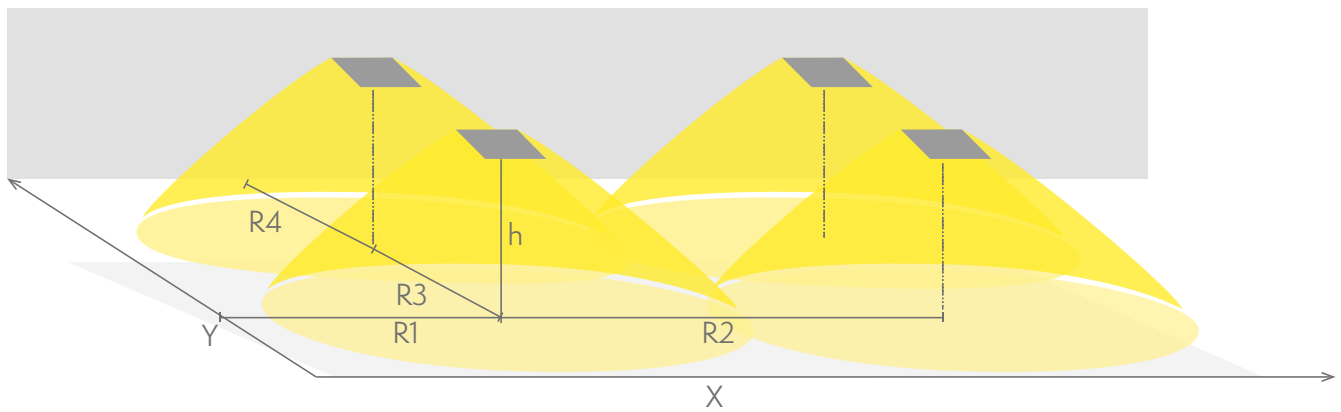
Date: December 30, 2020 | Source:

www.teknoware.com/en/emergency-lighting/easy-combo-emergency-light-or-emergency-exit-light-twtb151wk



Teknoware Oy | P.O. Box 19, 15101 Lahti | Ilmarisentie 8, 15200 Lahti Finland

Tel +358 3 883 020 | VAT-number FI01494751 | teknoware.com | emexit@teknoware.com



- R1 distance from wall (X axis)
- R2 installation distance between lights (X axis)
- R3 installation distance between lights (Y axis)
- R4 distance from wall (Y axis)

TWTB151WK

Mounting height (m)	Below the light lux	R1 (m)	R2 (m)	R3 (m)	R4 (m)
		0,5 lux	0,5 lux	0,5 lux	0,5 lux
2,5	7	3.5	7	7	3.5
3	5	3.5	7	7	3.5
4	2.5	3.5	7.5	7.5	3.5
6	1.2	4	8	8	4

OPTIONAL ACCESSORIES:

OTHER ACCESSORIES FOR EMERGENCY LIGHTS



Product Code	Product Name	Compatible Product Groups
TWTB110	Easy Combo IP54 gasket TWTB110	Other Accessories for Emergency Exit Lights

OPTIONAL MOUNTING ACCESSORIES FOR EMERGENCY EXIT LIGHTS



Product Code	Product Name	Compatible Product Groups
TWTB101	Easy Combo recess mounting frame TWTB101	Easy: Combo Emergency / Exit Light, Easy: Combo Emergency / Exit Light
TWTB103	Easy Combo flag bracket TWTB103	Easy: Combo Emergency / Exit Light, Easy: Combo Emergency / Exit Light

We reserve the rights to make modifications without notice.
 Copyright © 2020 Teknoware. All rights reserved.
 Date: December 30, 2020 | Source:
www.teknoware.com/en/emergency-lighting/easy-combo-emergency-light-or-emergency-exit-light-twtb151wk



Product Code	Product Name	Compatible Product Groups
TWTB104	Easy Combo ceiling bracket TWTB104	Easy: Combo Emergency / Exit Light, Easy: Combo Emergency / Exit Light
TWTB105	Easy Combo suspension bracket TWTB105	Easy: Combo Emergency / Exit Light, Easy: Combo Emergency / Exit Light

COMPATIBLE PRODUCTS:

PICTOGRAMS FOR EMERGENCY EXIT LIGHTS



Product Code	Pictogram	Viewing Distance (m)	Compatible Product Groups
PBB100		25	

We reserve the rights to make modifications without notice.

Copyright © 2020 Teknoware. All rights reserved.

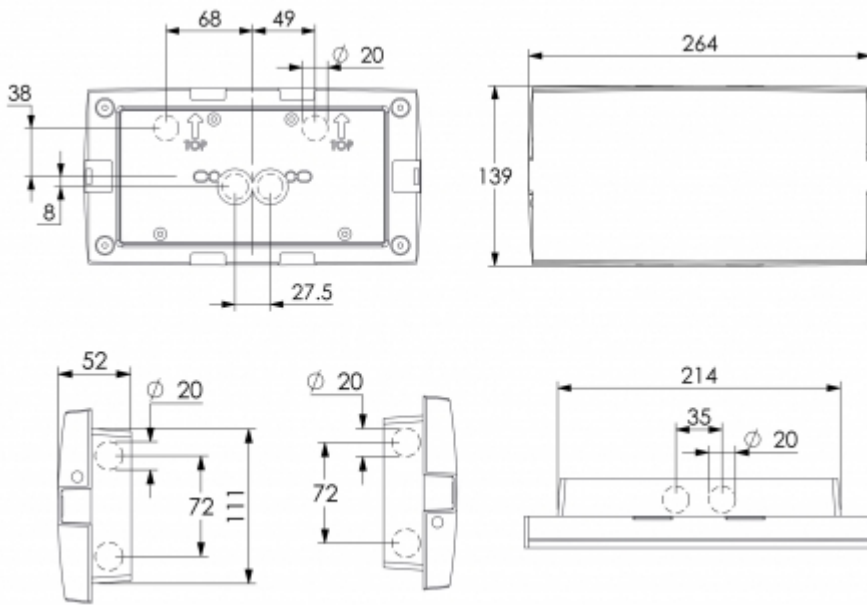
Date: December 30, 2020 | Source:

www.teknoware.com/en/emergency-lighting/easy-combo-emergency-light-or-emergency-exit-light-twtb151wk



Teknoware Oy | P.O. Box 19, 15101 Lahti | Ilmarisentie 8, 15200 Lahti Finland

Tel +358 3 883 020 | VAT-number FI01494751 | teknoware.com | emexit@teknoware.com



We reserve the rights to make modifications without notice.

Copyright © 2020 Teknoware. All rights reserved.

Date: December 30, 2020 | Source:

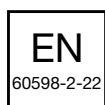
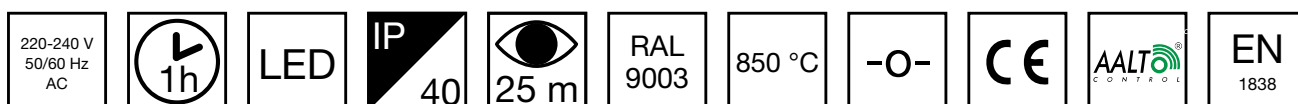
www.teknoware.com/en/emergency-lighting/easy-combo-emergency-light-or-emergency-exit-light-twtb151wk



Teknoware Oy | P.O. Box 19, 15101 Lahti | Ilmarisentie 8, 15200 Lahti Finland

Tel +358 3 883 020 | VAT-number FI01494751 | teknoware.com | emexit@teknoware.com

EASY COMBO EMERGENCY LIGHT OR EMERGENCY EXIT LIGHT TWTB152WA



Self-contained Emergency / Exit Light with 1 h Battery and Aalto Ctrl Wireless Central Monitoring.

Teknoware Easy Combo is a combination light, which can be used as either an emergency or emergency exit light. When fitted with the rotatable sign, Combo can show the direction arrow pointing up, down, left or right. When Combo is used as an emergency light, the sign is not installed.

Easy Combo can easily be surface or semi-flush mounted thanks to its practical design. Easy's wide product family offers an ideal choice when you want a single fixture for your entire property's needs.

Teknoware Easy Combo is a combination light, which can be used as either an emergency or emergency exit light. When fitted with the rotatable sign, Combo can show the direction arrow pointing up, down, left or right. When Combo is used as an emergency light, the sign is not installed.

Easy Combo can easily be surface or semi-flush mounted thanks to its practical design. Easy's

We reserve the rights to make modifications without notice.
Copyright © 2020 Teknoware. All rights reserved.
Date: December 30, 2020 | Source:
www.teknoware.com/en/emergency-lighting/easy-combo-emergency-light-or-emergency-exit-light-twtb152wa



Teknoware Oy | P.O. Box 19, 15101 Lahti | Ilmarisentie 8, 15200 Lahti Finland
Tel +358 3 883 020 | VAT-number FI01494751 | teknoware.com | emexit@teknoware.com

wide product family offers an ideal choice when you want a single fixture for your entire property's needs.

We reserve the rights to make modifications without notice.

Copyright © 2020 Teknoware. All rights reserved.

Date: December 30, 2020 | Source:

www.teknoware.com/en/emergency-lighting/easy-combo-emergency-light-or-emergency-exit-light-twtb152wa



Teknoware Oy | P.O. Box 19, 15101 Lahti | Ilmarisentie 8, 15200 Lahti Finland
Tel +358 3 883 020 | VAT-number FI01494751 | teknoware.com | emexit@teknoware.com

INDIVIDUALLY PACKED LIGHTS

The product codes starting with letter Y include an individually packed luminaire, and the pictogram/s mentioned in the table. The product codes starting with TW include the luminaire only.

Product Code	Pictogram	Pictogram code	Pictogram Info
YB152WA120			1-sided, 25 m

Product Code	TWTB152WA
Feature	Aalto Control
Mounting (standard)	wall, ceiling, surface, recess
Customs Code	94056080
GTIN Code	6438045024592
ETIM Product Class	EC001957
Length	265 mm
Width	137 mm
Height	53 mm
Weight	0.45 kg
Backup	1 h
Max Input Power VA	8 VA
Nominal Supply Voltage	220-240 V, 50/60 Hz AC
Protection Class	II
IP Class	IP40
Temperature Range Min - Max	-5...+35 °C
Glow Wire Test of Plastic Materials	850 °C
Viewing Distance	25 m
Light Source	LED
Body Material	plastic

We reserve the rights to make modifications without notice.

Copyright © 2020 Teknoware. All rights reserved.

Date: December 30, 2020 | Source:

www.teknoware.com/en/emergency-lighting/easy-combo-emergency-light-or-emergency-ex-it-light-twtb152wa

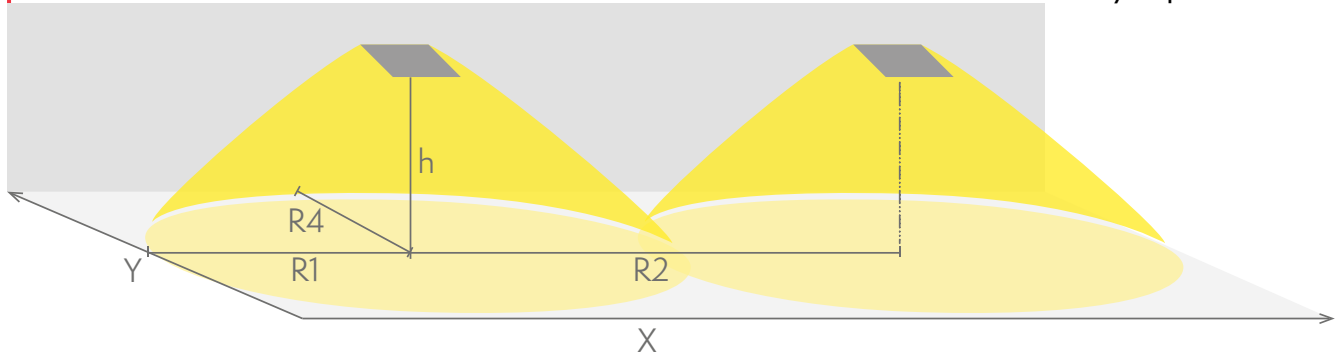


Colour	RAL9003
Electrical Installation	2/3 x 2,5 mm ²
Luminous Flux	170 lm

Emergency lighting for escape routes (ceiling mounting)

Table of 1 lux for escape routes in the middle line according to the norm EN 1838.

Level of measurement 0,02 m, measurement result with battery operation.



R1 distance from wall (X axis)

R2 installation distance between lights (X axis)

R4 distance from wall (Y axis)

TWTB152WA

Mounting height (m)	Below the light lux	R1 (m)	R2 (m)	R4 (m)
		1 lux	1 lux	1 lux
2,5	7	3	8	1
3	5	3	8.5	1
4	2.5	3	9.5	1

Emergency lighting for open areas (ceiling mounting)

Table of 0,5 lux for open areas according to the norm EN 1838, 0,5 m edge district is considered in the table.

Level of measurement 0,02 m, measurement result with battery operation.

We reserve the rights to make modifications without notice.

Copyright © 2020 Teknoware. All rights reserved.

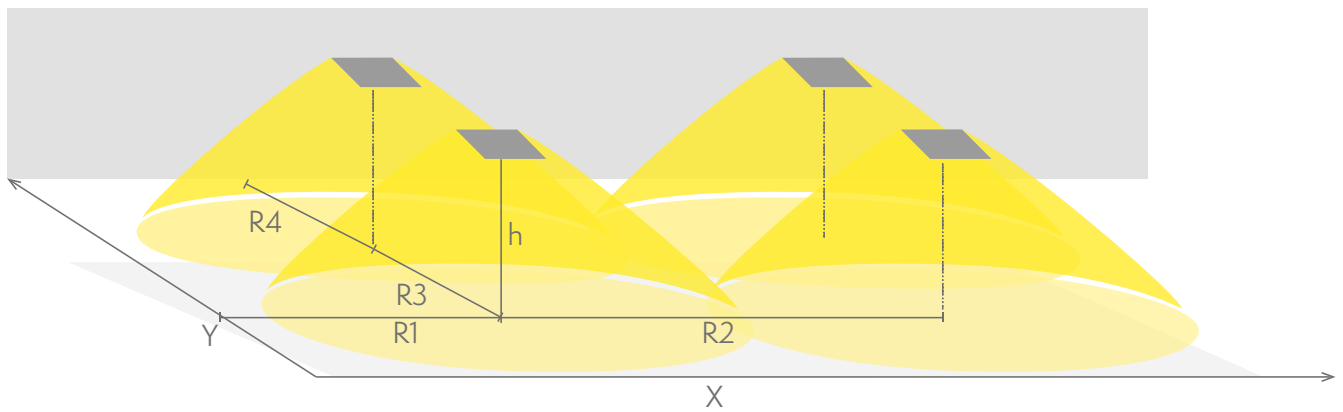
Date: December 30, 2020 | Source:

www.teknoware.com/en/emergency-lighting/easy-combo-emergency-light-or-emergency-exit-light-twtb152wa



Teknoware Oy | P.O. Box 19, 15101 Lahti | Ilmarisentie 8, 15200 Lahti Finland

Tel +358 3 883 020 | VAT-number FI01494751 | teknoware.com | emexit@teknoware.com



- R1 distance from wall (X axis)
- R2 installation distance between lights (X axis)
- R3 installation distance between lights (Y axis)
- R4 distance from wall (Y axis)

TWTB152WA

Mounting height (m)	Below the light lux	R1 (m)	R2 (m)	R3 (m)	R4 (m)
		0,5 lux	0,5 lux	0,5 lux	0,5 lux
2,5	7	3.5	7	7	3.5
3	5	3.5	7	7	3.5
4	2.5	3.5	7.5	7.5	3.5
6	1.2	4	8	8	4

OPTIONAL ACCESSORIES:

OTHER ACCESSORIES FOR EMERGENCY LIGHTS



Product Code	Product Name	Compatible Product Groups
TWTB110	Easy Combo IP54 gasket TWTB110	Other Accessories for Emergency Exit Lights

OPTIONAL MOUNTING ACCESSORIES FOR EMERGENCY EXIT LIGHTS



Product Code	Product Name	Compatible Product Groups
TWTB101	Easy Combo recess mounting frame TWTB101	Easy: Combo Emergency / Exit Light, Easy: Combo Emergency / Exit Light
TWTB103	Easy Combo flag bracket TWTB103	Easy: Combo Emergency / Exit Light, Easy: Combo Emergency / Exit Light

We reserve the rights to make modifications without notice.
 Copyright © 2020 Teknoware. All rights reserved.
 Date: December 30, 2020 | Source:
www.teknoware.com/en/emergency-lighting/easy-combo-emergency-light-or-emergency-exit-light-twtb152wa



Product Code	Product Name	Compatible Product Groups
TWTB104	Easy Combo ceiling bracket TWTB104	Easy: Combo Emergency / Exit Light, Easy: Combo Emergency / Exit Light
TWTB105	Easy Combo suspension bracket TWTB105	Easy: Combo Emergency / Exit Light, Easy: Combo Emergency / Exit Light

COMPATIBLE PRODUCTS:

PICTOGRAMS FOR EMERGENCY EXIT LIGHTS

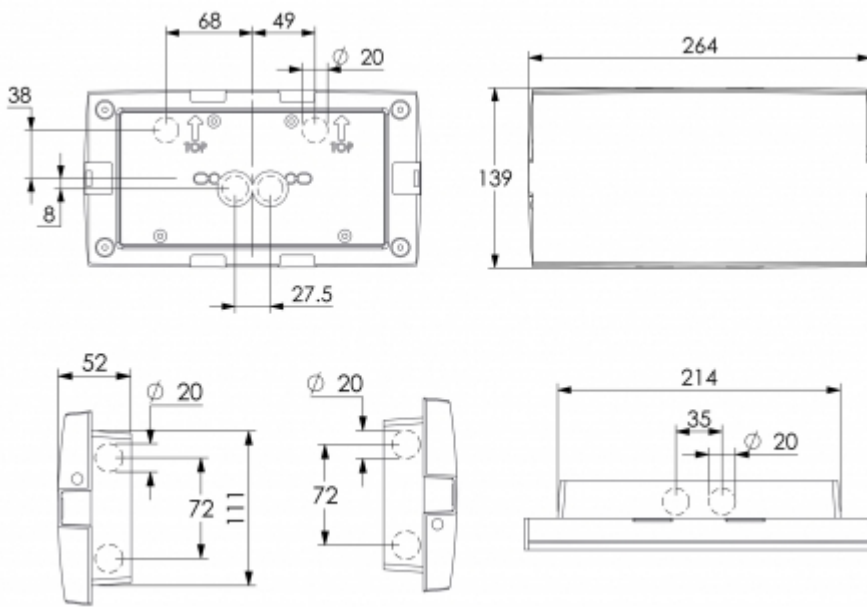


Product Code	Pictogram	Viewing Distance (m)	Compatible Product Groups
PBB100		25	

We reserve the rights to make modifications without notice.
 Copyright © 2020 Teknoware. All rights reserved.
 Date: December 30, 2020 | Source:
www.teknoware.com/en/emergency-lighting/easy-combo-emergency-light-or-emergency-exit-light-twtb152wa



Teknoware Oy | P.O. Box 19, 15101 Lahti | Ilmarisentie 8, 15200 Lahti Finland
 Tel +358 3 883 020 | VAT-number FI01494751 | teknoware.com | emexit@teknoware.com



We reserve the rights to make modifications without notice.

Copyright © 2020 Teknoware. All rights reserved.

Date: December 30, 2020 | Source:

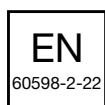
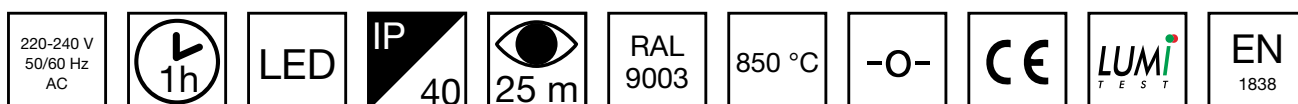
www.teknoware.com/en/emergency-lighting/easy-combo-emergency-light-or-emergency-exit-light-twtb152wa



Teknoware Oy | P.O. Box 19, 15101 Lahti | Ilmarisentie 8, 15200 Lahti Finland

Tel +358 3 883 020 | VAT-number FI01494751 | teknoware.com | emexit@teknoware.com

EASY COMBO EMERGENCY LIGHT OR EMERGENCY EXIT LIGHT TWTB152WM



Self-contained Emergency / Exit Light with 1 h Battery and Lumi Test Self-testing.

Teknoware Easy Combo is a combination light, which can be used as either an emergency or emergency exit light. When fitted with the rotatable sign, Combo can show the direction arrow pointing up, down, left or right. When Combo is used as an emergency light, the sign is not installed.

Easy Combo can easily be surface or semi-flush mounted thanks to its practical design. Easy's wide product family offers an ideal choice when you want a single fixture for your entire property's needs. Teknoware Easy Combo is a combination light, which can be used as either an emergency or emergency exit light. When fitted with the rotatable sign, Combo can show the direction arrow pointing up, down, left or right. When Combo is used as an emergency light, the sign is not installed.

Easy Combo can easily be surface or semi-flush mounted thanks to its practical design. Easy's wide product family offers an ideal choice when you want a single fixture for your entire

We reserve the rights to make modifications without notice.
Copyright © 2020 Teknoware. All rights reserved.
Date: December 30, 2020 | Source:
www.teknoware.com/en/emergency-lighting/easy-combo-emergency-light-or-emergency-exit-light-twtb152wm



Teknoware Oy | P.O. Box 19, 15101 Lahti | Ilmarisentie 8, 15200 Lahti Finland
Tel +358 3 883 020 | VAT-number FI01494751 | teknoware.com | emexit@teknoware.com

property's needs.

We reserve the rights to make modifications without notice.
Copyright © 2020 Teknoware. All rights reserved.
Date: December 30, 2020 | Source:
www.teknoware.com/en/emergency-lighting/easy-combo-emergency-light-or-emergency-exit-light-twtb152wm

Teknoware Oy | P.O. Box 19, 15101 Lahti | Ilmarisentie 8, 15200 Lahti Finland
Tel +358 3 883 020 | VAT-number FI01494751 | teknoware.com | emexit@teknoware.com



INDIVIDUALLY PACKED LIGHTS

The product codes starting with letter Y include an individually packed luminaire, and the pictogram/s mentioned in the table. The product codes starting with TW include the luminaire only.

Product Code	Pictogram	Pictogram code	Pictogram Info
YB152WM120			1-sided, 25 m

Product Code	TWTB152WM
Feature	Lumi Test
Mounting (standard)	wall, ceiling, surface, recess
Customs Code	94056080
GTIN Code	6438045024608
ETIM Product Class	EC001957
Length	265 mm
Width	137 mm
Height	53 mm
Weight	0.45 kg
Backup	1 h
Max Input Power VA	8 VA
Nominal Supply Voltage	220-240 V, 50/60 Hz AC
Protection Class	II
IP Class	IP40
Temperature Range Min - Max	-5...+35 °C
Glow Wire Test of Plastic Materials	850 °C
Viewing Distance	25 m
Light Source	LED
Body Material	plastic

We reserve the rights to make modifications without notice.

Copyright © 2020 Teknoware. All rights reserved.

Date: December 30, 2020 | Source:

www.teknoware.com/en/emergency-lighting/easy-combo-emergency-light-or-emergency-ex-it-light-twtb152wm

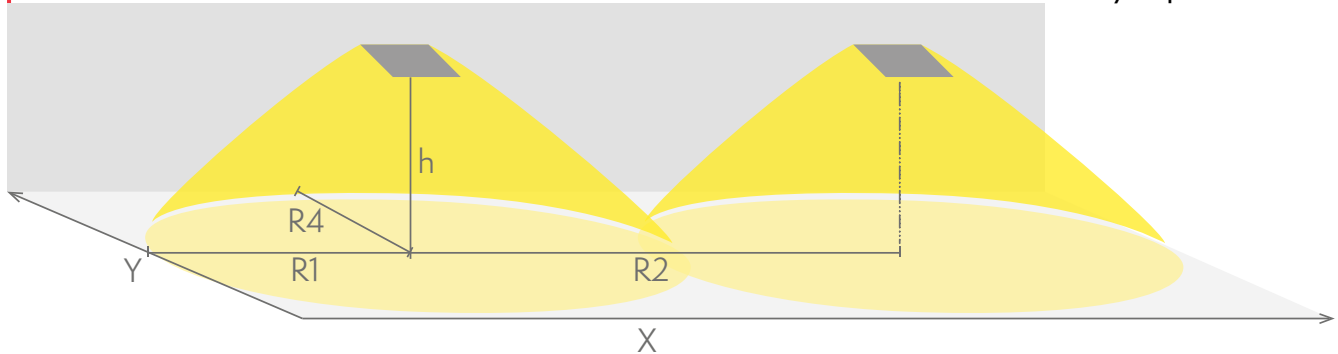


Colour	RAL9003
Electrical Installation	2/3 x 2,5 mm ²
Luminous Flux	170 lm

Emergency lighting for escape routes (ceiling mounting)

Table of 1 lux for escape routes in the middle line according to the norm EN 1838.

Level of measurement 0,02 m, measurement result with battery operation.



R1 distance from wall (X axis)

R2 installation distance between lights (X axis)

R4 distance from wall (Y axis)

TWTB152WM

Mounting height (m)	Below the light lux	R1 (m)	R2 (m)	R4 (m)
		1 lux	1 lux	1 lux
2,5	7	3	8	1
3	5	3	8.5	1
4	2.5	3	9.5	1

Emergency lighting for open areas (ceiling mounting)

Table of 0,5 lux for open areas according to the norm EN 1838, 0,5 m edge district is considered in the table.

Level of measurement 0,02 m, measurement result with battery operation.

We reserve the rights to make modifications without notice.

Copyright © 2020 Teknoware. All rights reserved.

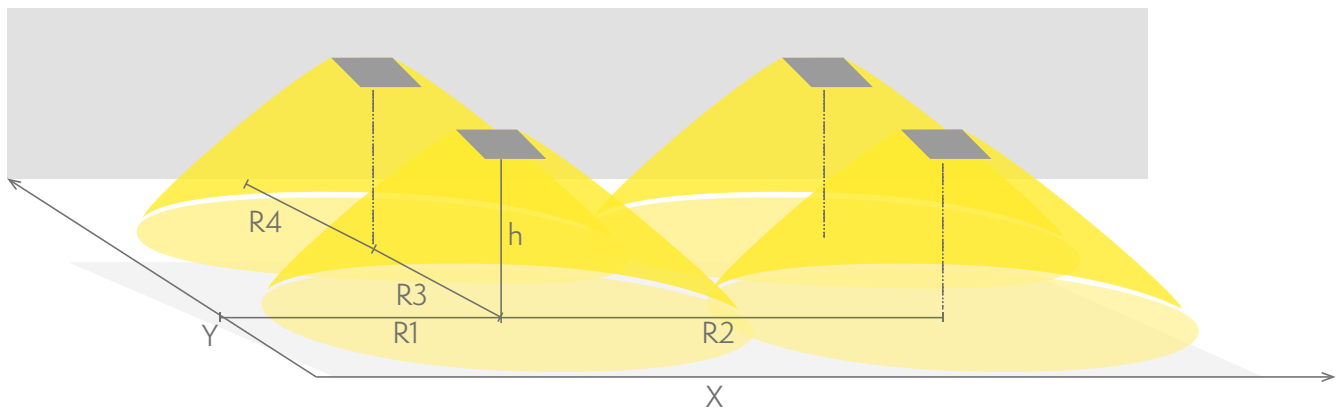
Date: December 30, 2020 | Source:

www.teknoware.com/en/emergency-lighting/easy-combo-emergency-light-or-emergency-exit-light-twtb152wm



Teknoware Oy | P.O. Box 19, 15101 Lahti | Ilmarisentie 8, 15200 Lahti Finland

Tel +358 3 883 020 | VAT-number FI01494751 | teknoware.com | emexit@teknoware.com



- R1 distance from wall (X axis)
- R2 installation distance between lights (X axis)
- R3 installation distance between lights (Y axis)
- R4 distance from wall (Y axis)

TWTB152WM

Mounting height (m)	Below the light lux	R1 (m)	R2 (m)	R3 (m)	R4 (m)
		0,5 lux	0,5 lux	0,5 lux	0,5 lux
2,5	7	3.5	7	7	3.5
3	5	3.5	7	7	3.5
4	2.5	3.5	7.5	7.5	3.5
6	1.2	4	8	8	4

OPTIONAL ACCESSORIES:

OTHER ACCESSORIES FOR EMERGENCY LIGHTS



Product Code	Product Name	Compatible Product Groups
TWTB110	Easy Combo IP54 gasket TWTB110	Other Accessories for Emergency Exit Lights

OPTIONAL MOUNTING ACCESSORIES FOR EMERGENCY EXIT LIGHTS



Product Code	Product Name	Compatible Product Groups
TWTB101	Easy Combo recess mounting frame TWTB101	Easy: Combo Emergency / Exit Light, Easy: Combo Emergency / Exit Light
TWTB103	Easy Combo flag bracket TWTB103	Easy: Combo Emergency / Exit Light, Easy: Combo Emergency / Exit Light

We reserve the rights to make modifications without notice.
 Copyright © 2020 Teknoware. All rights reserved.
 Date: December 30, 2020 | Source:
www.teknoware.com/en/emergency-lighting/easy-combo-emergency-light-or-emergency-exit-light-twtb152wm



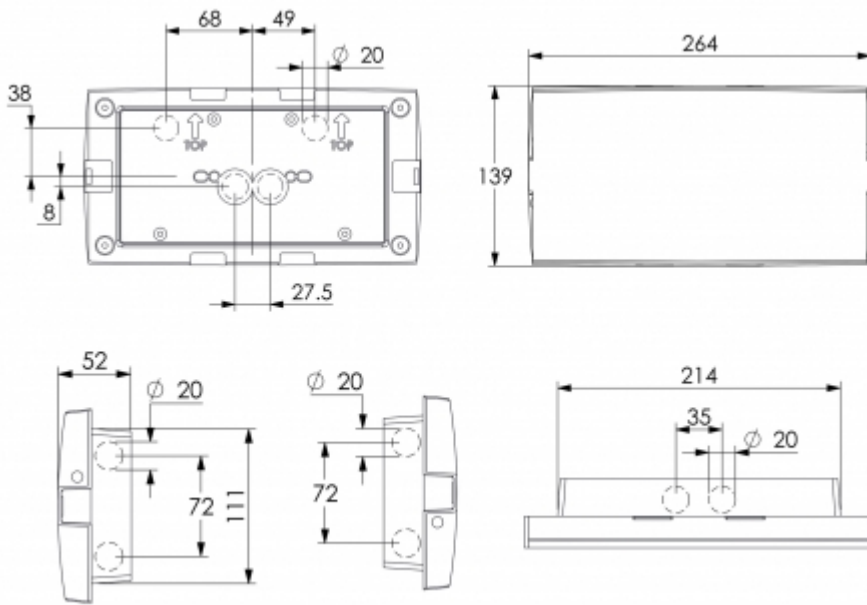
Product Code	Product Name	Compatible Product Groups
TWTB104	Easy Combo ceiling bracket TWTB104	Easy: Combo Emergency / Exit Light, Easy: Combo Emergency / Exit Light
TWTB105	Easy Combo suspension bracket TWTB105	Easy: Combo Emergency / Exit Light, Easy: Combo Emergency / Exit Light

COMPATIBLE PRODUCTS:

PICTOGRAMS FOR EMERGENCY EXIT LIGHTS



Product Code	Pictogram	Viewing Distance (m)	Compatible Product Groups
PBB100		25	



We reserve the rights to make modifications without notice.

Copyright © 2020 Teknoware. All rights reserved.

Date: December 30, 2020 | Source:

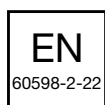
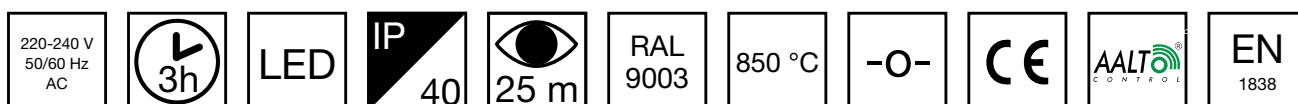
www.teknoware.com/en/emergency-lighting/easy-combo-emergency-light-or-emergency-exit-light-twtb152wm



Teknoware Oy | P.O. Box 19, 15101 Lahti | Ilmarisentie 8, 15200 Lahti Finland

Tel +358 3 883 020 | VAT-number FI01494751 | teknoware.com | emexit@teknoware.com

EASY COMBO EMERGENCY LIGHT OR EMERGENCY EXIT LIGHT TWTB153WA



Self-contained Emergency / Exit Light with 3 h Battery and Aalto Ctrl Wireless Central Monitoring.

Teknoware Easy Combo is a combination light, which can be used as either an emergency or emergency exit light. When fitted with the rotatable sign, Combo can show the direction arrow pointing up, down, left or right. When Combo is used as an emergency light, the sign is not installed.

Easy Combo can easily be surface or semi-flush mounted thanks to its practical design. Easy's wide product family offers an ideal choice when you want a single fixture for your entire property's needs. Teknoware Easy Combo is a combination light, which can be used as either an emergency or emergency exit light. When fitted with the rotatable sign, Combo can show the direction arrow pointing up, down, left or right. When Combo is used as an emergency light, the sign is not installed.

Easy Combo can easily be surface or semi-flush mounted thanks to its practical design. Easy's wide product family offers an ideal choice when you want a single fixture for your entire

We reserve the rights to make modifications without notice.
Copyright © 2020 Teknoware. All rights reserved.
Date: December 30, 2020 | Source:
www.teknoware.com/en/emergency-lighting/easy-combo-emergency-light-or-emergency-exit-light-twtb153wa



Teknoware Oy | P.O. Box 19, 15101 Lahti | Ilmarisentie 8, 15200 Lahti Finland
Tel +358 3 883 020 | VAT-number FI01494751 | teknoware.com | emexit@teknoware.com

property's needs.

We reserve the rights to make modifications without notice.
Copyright © 2020 Teknoware. All rights reserved.
Date: December 30, 2020 | Source:
www.teknoware.com/en/emergency-lighting/easy-combo-emergency-light-or-emergency-exit-light-twtb153wa

Teknoware Oy | P.O. Box 19, 15101 Lahti | Ilmarisentie 8, 15200 Lahti Finland
Tel +358 3 883 020 | VAT-number FI01494751 | teknoware.com | emexit@teknoware.com



INDIVIDUALLY PACKED LIGHTS

The product codes starting with letter Y include an individually packed luminaire, and the pictogram/s mentioned in the table. The product codes starting with TW include the luminaire only.

Product Code	Pictogram	Pictogram code	Pictogram Info
YB153WA120			1-sided, 25 m

Product Code	TWTB153WA
Feature	Aalto Control
Mounting (standard)	wall, ceiling, surface, recess
Customs Code	94056080
GTIN Code	6438045024615
ETIM Product Class	EC001957
Length	265 mm
Width	137 mm
Height	53 mm
Weight	0.45 kg
Backup	3 h
Max Input Power VA	8 VA
Nominal Supply Voltage	220-240 V, 50/60 Hz AC
Protection Class	II
IP Class	IP40
Temperature Range Min - Max	-5...+35 °C
Glow Wire Test of Plastic Materials	850 °C
Viewing Distance	25 m
Light Source	LED
Body Material	plastic

We reserve the rights to make modifications without notice.

Copyright © 2020 Teknoware. All rights reserved.

Date: December 30, 2020 | Source:

www.teknoware.com/en/emergency-lighting/easy-combo-emergency-light-or-emergency-ex-it-light-twtb153wa

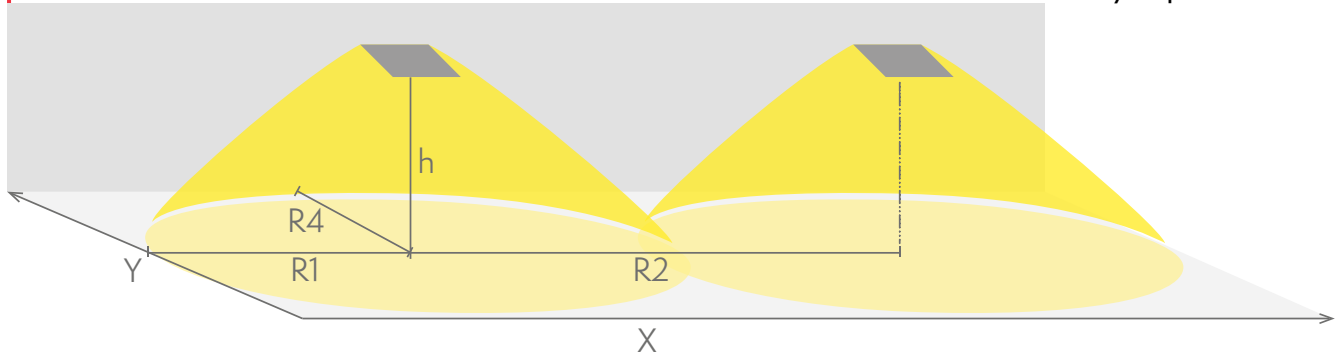


Colour	RAL9003
Electrical Installation	2/3 x 2,5 mm ²
Luminous Flux	170 lm

Emergency lighting for escape routes (ceiling mounting)

Table of 1 lux for escape routes in the middle line according to the norm EN 1838.

Level of measurement 0,02 m, measurement result with battery operation.



R1 distance from wall (X axis)

R2 installation distance between lights (X axis)

R4 distance from wall (Y axis)

TWTB153WA

Mounting height (m)	Below the light lux	R1 (m)	R2 (m)	R4 (m)
		1 lux	1 lux	1 lux
2,5	7	3	8	1
3	5	3	8.5	1
4	2.5	3	9.5	1

Emergency lighting for open areas (ceiling mounting)

Table of 0,5 lux for open areas according to the norm EN 1838, 0,5 m edge district is considered in the table.

Level of measurement 0,02 m, measurement result with battery operation.

We reserve the rights to make modifications without notice.

Copyright © 2020 Teknoware. All rights reserved.

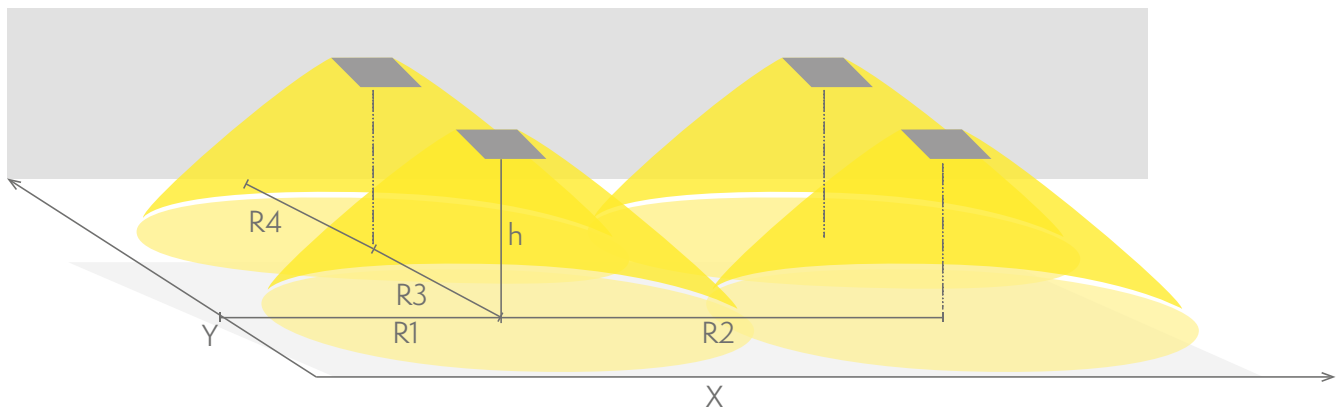
Date: December 30, 2020 | Source:

www.teknoware.com/en/emergency-lighting/easy-combo-emergency-light-or-emergency-exit-light-twtb153wa



Teknoware Oy | P.O. Box 19, 15101 Lahti | Ilmarisentie 8, 15200 Lahti Finland

Tel +358 3 883 020 | VAT-number FI01494751 | teknoware.com | emexit@teknoware.com



- R1 distance from wall (X axis)
- R2 installation distance between lights (X axis)
- R3 installation distance between lights (Y axis)
- R4 distance from wall (Y axis)

TWTB153WA

Mounting height (m)	Below the light lux	R1 (m)	R2 (m)	R3 (m)	R4 (m)
		0,5 lux	0,5 lux	0,5 lux	0,5 lux
2,5	7	3.5	7	7	3.5
3	5	3.5	7	7	3.5
4	2.5	3.5	7.5	7.5	3.5
6	1.2	4	8	8	4

OPTIONAL ACCESSORIES:

OTHER ACCESSORIES FOR EMERGENCY LIGHTS



Product Code	Product Name	Compatible Product Groups
TWTB110	Easy Combo IP54 gasket TWTB110	Other Accessories for Emergency Exit Lights

OPTIONAL MOUNTING ACCESSORIES FOR EMERGENCY EXIT LIGHTS



Product Code	Product Name	Compatible Product Groups
TWTB101	Easy Combo recess mounting frame TWTB101	Easy: Combo Emergency / Exit Light, Easy: Combo Emergency / Exit Light
TWTB103	Easy Combo flag bracket TWTB103	Easy: Combo Emergency / Exit Light, Easy: Combo Emergency / Exit Light

We reserve the rights to make modifications without notice.
 Copyright © 2020 Teknoware. All rights reserved.
 Date: December 30, 2020 | Source:
www.teknoware.com/en/emergency-lighting/easy-combo-emergency-light-or-emergency-exit-light-twtb153wa



Product Code	Product Name	Compatible Product Groups
TWTB104	Easy Combo ceiling bracket TWTB104	Easy: Combo Emergency / Exit Light, Easy: Combo Emergency / Exit Light
TWTB105	Easy Combo suspension bracket TWTB105	Easy: Combo Emergency / Exit Light, Easy: Combo Emergency / Exit Light

COMPATIBLE PRODUCTS:

PICTOGRAMS FOR EMERGENCY EXIT LIGHTS



Product Code	Pictogram	Viewing Distance (m)	Compatible Product Groups
PBB100		25	

We reserve the rights to make modifications without notice.

Copyright © 2020 Teknoware. All rights reserved.

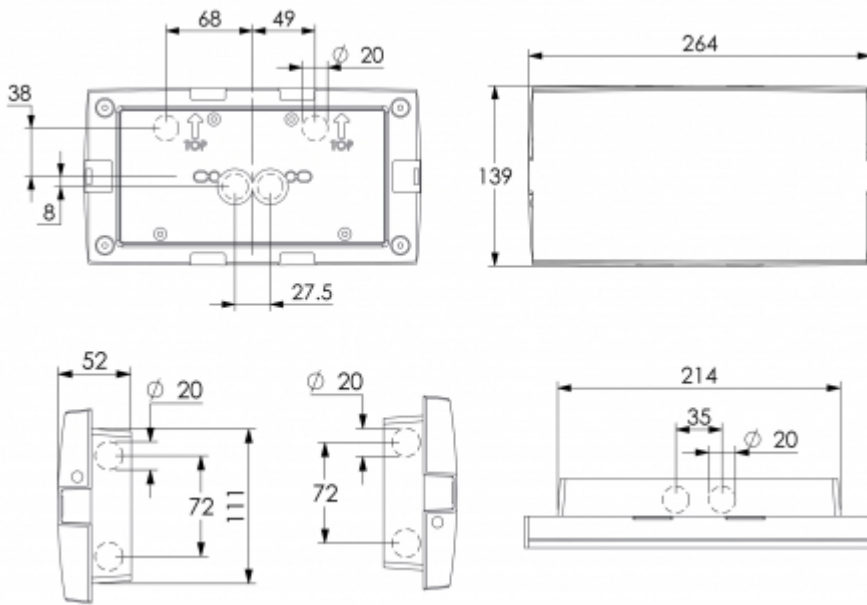
Date: December 30, 2020 | Source:

www.teknoware.com/en/emergency-lighting/easy-combo-emergency-light-or-emergency-exit-light-twtb153wa



Teknoware Oy | P.O. Box 19, 15101 Lahti | Ilmarisentie 8, 15200 Lahti Finland

Tel +358 3 883 020 | VAT-number FI01494751 | teknoware.com | emexit@teknoware.com



We reserve the rights to make modifications without notice.

Copyright © 2020 Teknoware. All rights reserved.

Date: December 30, 2020 | Source:

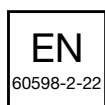
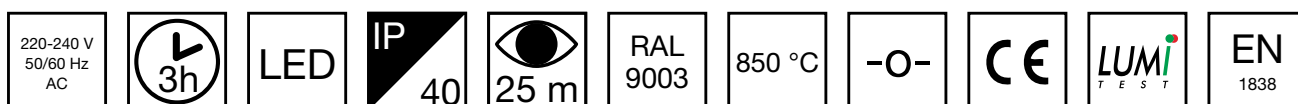
www.teknoware.com/en/emergency-lighting/easy-combo-emergency-light-or-emergency-exit-light-twtb153wa



Teknoware Oy | P.O. Box 19, 15101 Lahti | Ilmarisentie 8, 15200 Lahti Finland

Tel +358 3 883 020 | VAT-number FI01494751 | teknoware.com | emexit@teknoware.com

EASY COMBO EMERGENCY LIGHT OR EMERGENCY EXIT LIGHT TWTB153WM



Self-contained Emergency / Exit Light with 3 h Battery and Lumi Test Self-testing.

Teknoware Easy Combo is a combination light, which can be used as either an emergency or emergency exit light. When fitted with the rotatable sign, Combo can show the direction arrow pointing up, down, left or right. When Combo is used as an emergency light, the sign is not installed.

Easy Combo can easily be surface or semi-flush mounted thanks to its practical design. Easy's wide product family offers an ideal choice when you want a single fixture for your entire property's needs. Teknoware Easy Combo is a combination light, which can be used as either an emergency or emergency exit light. When fitted with the rotatable sign, Combo can show the direction arrow pointing up, down, left or right. When Combo is used as an emergency light, the sign is not installed.

Easy Combo can easily be surface or semi-flush mounted thanks to its practical design. Easy's wide product family offers an ideal choice when you want a single fixture for your entire

We reserve the rights to make modifications without notice.
Copyright © 2020 Teknoware. All rights reserved.
Date: December 30, 2020 | Source:
www.teknoware.com/en/emergency-lighting/easy-combo-emergency-light-or-emergency-exit-light-twtb153wm



Teknoware Oy | P.O. Box 19, 15101 Lahti | Ilmarisentie 8, 15200 Lahti Finland
Tel +358 3 883 020 | VAT-number FI01494751 | teknoware.com | emexit@teknoware.com

property's needs.

We reserve the rights to make modifications without notice.
Copyright © 2020 Teknoware. All rights reserved.
Date: December 30, 2020 | Source:
www.teknoware.com/en/emergency-lighting/easy-combo-emergency-light-or-emergency-exit-light-twtb153wm

Teknoware Oy | P.O. Box 19, 15101 Lahti | Ilmarisentie 8, 15200 Lahti Finland
Tel +358 3 883 020 | VAT-number FI01494751 | teknoware.com | emexit@teknoware.com



INDIVIDUALLY PACKED LIGHTS

The product codes starting with letter Y include an individually packed luminaire, and the pictogram/s mentioned in the table. The product codes starting with TW include the luminaire only.

Product Code	Pictogram	Pictogram code	Pictogram Info
YB153WM120			1-sided, 25 m

Product Code	TWTB153WM
Feature	Lumi Test
Mounting (standard)	wall, ceiling, surface, recess
Customs Code	94056080
GTIN Code	6438045024622
ETIM Product Class	EC001957
Length	265 mm
Width	137 mm
Height	53 mm
Weight	0.45 kg
Backup	3 h
Max Input Power VA	8 VA
Nominal Supply Voltage	220-240 V, 50/60 Hz AC
Protection Class	II
IP Class	IP40
Temperature Range Min - Max	-5...+35 °C
Glow Wire Test of Plastic Materials	850 °C
Viewing Distance	25 m
Light Source	LED
Body Material	plastic

We reserve the rights to make modifications without notice.
Copyright © 2020 Teknoware. All rights reserved.
Date: December 30, 2020 | Source:
www.teknoware.com/en/emergency-lighting/easy-combo-emergency-light-or-emergency-ex-it-light-twtb153wm

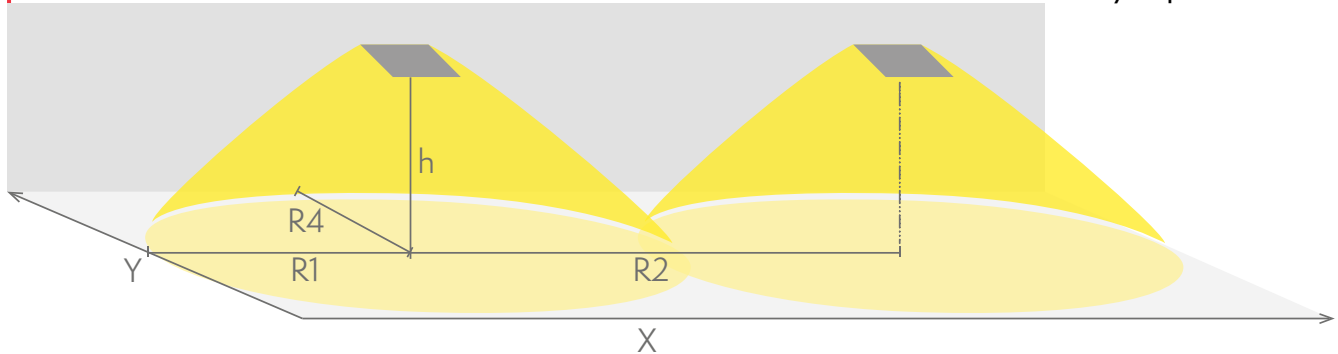


Colour	RAL9003
Electrical Installation	2/3 x 2,5 mm ²
Luminous Flux	170 lm

Emergency lighting for escape routes (ceiling mounting)

Table of 1 lux for escape routes in the middle line according to the norm EN 1838.

Level of measurement 0,02 m, measurement result with battery operation.



R1 distance from wall (X axis)

R2 installation distance between lights (X axis)

R4 distance from wall (Y axis)

TWTB153WM

Mounting height (m)	Below the light lux	R1 (m)	R2 (m)	R4 (m)
		1 lux	1 lux	1 lux
2,5	7	3	8	1
3	5	3	8.5	1
4	2.5	3	9.5	1

Emergency lighting for open areas (ceiling mounting)

Table of 0,5 lux for open areas according to the norm EN 1838, 0,5 m edge district is considered in the table.

Level of measurement 0,02 m, measurement result with battery operation.

We reserve the rights to make modifications without notice.

Copyright © 2020 Teknoware. All rights reserved.

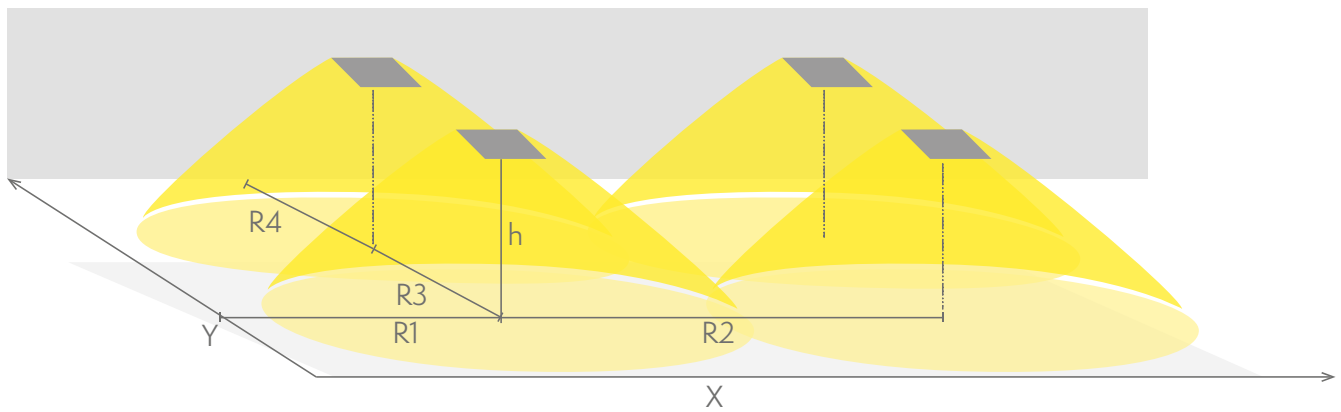
Date: December 30, 2020 | Source:

www.teknoware.com/en/emergency-lighting/easy-combo-emergency-light-or-emergency-exit-light-twtb153wm



Teknoware Oy | P.O. Box 19, 15101 Lahti | Ilmarisentie 8, 15200 Lahti Finland

Tel +358 3 883 020 | VAT-number FI01494751 | teknoware.com | emexit@teknoware.com



- R1 distance from wall (X axis)
- R2 installation distance between lights (X axis)
- R3 installation distance between lights (Y axis)
- R4 distance from wall (Y axis)

TWTB153WM

Mounting height (m)	Below the light lux	R1 (m)	R2 (m)	R3 (m)	R4 (m)
		0,5 lux	0,5 lux	0,5 lux	0,5 lux
2,5	7	3.5	7	7	3.5
3	5	3.5	7	7	3.5
4	2.5	3.5	7.5	7.5	3.5
6	1.2	4	8	8	4

OPTIONAL ACCESSORIES:

OTHER ACCESSORIES FOR EMERGENCY LIGHTS



Product Code	Product Name	Compatible Product Groups
TWTB110	Easy Combo IP54 gasket TWTB110	Other Accessories for Emergency Exit Lights

OPTIONAL MOUNTING ACCESSORIES FOR EMERGENCY EXIT LIGHTS



Product Code	Product Name	Compatible Product Groups
TWTB101	Easy Combo recess mounting frame TWTB101	Easy: Combo Emergency / Exit Light, Easy: Combo Emergency / Exit Light
TWTB103	Easy Combo flag bracket TWTB103	Easy: Combo Emergency / Exit Light, Easy: Combo Emergency / Exit Light

We reserve the rights to make modifications without notice.
 Copyright © 2020 Teknoware. All rights reserved.
 Date: December 30, 2020 | Source:
www.teknoware.com/en/emergency-lighting/easy-combo-emergency-light-or-emergency-exit-light-twtb153wm



Product Code	Product Name	Compatible Product Groups
TWTB104	Easy Combo ceiling bracket TWTB104	Easy: Combo Emergency / Exit Light, Easy: Combo Emergency / Exit Light
TWTB105	Easy Combo suspension bracket TWTB105	Easy: Combo Emergency / Exit Light, Easy: Combo Emergency / Exit Light

COMPATIBLE PRODUCTS:

PICTOGRAMS FOR EMERGENCY EXIT LIGHTS



Product Code	Pictogram	Viewing Distance (m)	Compatible Product Groups
PBB100		25	

We reserve the rights to make modifications without notice.

Copyright © 2020 Teknoware. All rights reserved.

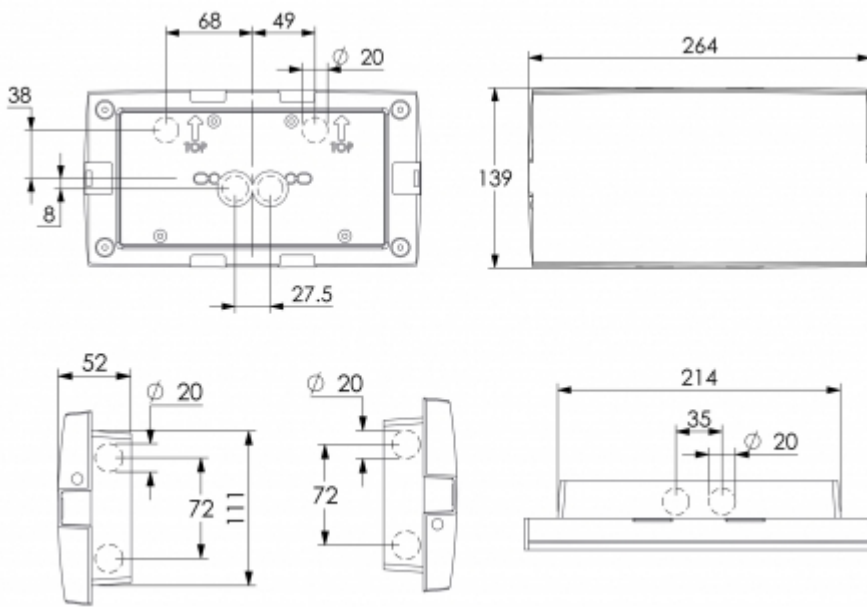
Date: December 30, 2020 | Source:

www.teknoware.com/en/emergency-lighting/easy-combo-emergency-light-or-emergency-exit-light-twtb153wm



Teknoware Oy | P.O. Box 19, 15101 Lahti | Ilmarisentie 8, 15200 Lahti Finland

Tel +358 3 883 020 | VAT-number FI01494751 | teknoware.com | emexit@teknoware.com



We reserve the rights to make modifications without notice.

Copyright © 2020 Teknoware. All rights reserved.

Date: December 30, 2020 | Source:

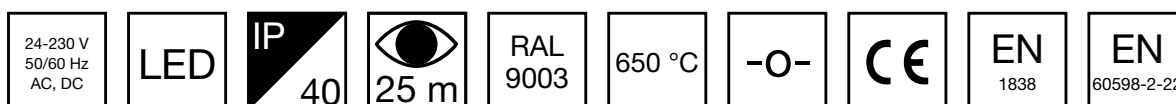
www.teknoware.com/en/emergency-lighting/easy-combo-emergency-light-or-emergency-exit-light-twtb153wm



Teknoware Oy | P.O. Box 19, 15101 Lahti | Ilmarisentie 8, 15200 Lahti Finland

Tel +358 3 883 020 | VAT-number FI01494751 | teknoware.com | emexit@teknoware.com

EASY COMBO EMERGENCY LIGHT OR EMERGENCY EXIT LIGHT TWTB171W



24-230 V centrally supplied Emergency / Exit Light.

Teknoware Easy Combo is a combination light, which can be used as either an emergency or emergency exit light. When fitted with the rotatable sign, Combo can show the direction arrow pointing up, down, left or right. When Combo is used as an emergency light, the sign is not installed.

Easy Combo can easily be surface or semi-flush mounted thanks to its practical design. Easy's wide product family offers an ideal choice when you want a single fixture for your entire property's needs.

We reserve the rights to make modifications without notice.
Copyright © 2020 Teknoware. All rights reserved.
Date: December 30, 2020 | Source:
www.teknoware.com/en/emergency-lighting/easy-combo-emergency-light-or-emergency-exit-light-twtb171w



Teknoware Oy | P.O. Box 19, 15101 Lahti | Ilmarisentie 8, 15200 Lahti Finland
Tel +358 3 883 020 | VAT-number FI01494751 | teknoware.com | emexit@teknoware.com

INDIVIDUALLY PACKED LIGHTS

The product codes starting with letter Y include an individually packed luminaire, and the pictogram/s mentioned in the table. The product codes starting with TW include the luminaire only.

Product Code	Pictogram	Pictogram code	Pictogram Info
YB171W120			1-sided, 25 m

Product Code	TWTB171W
Mounting (standard)	wall, ceiling, surface, recess
Customs Code	94056080
GTIN Code	6438045024967
ETIM Product Class	EC001957
Length	265 mm
Width	137 mm
Height	53 mm
Weight	0.45 kg
Max Input Power VA	3,2 VA (24 V), 5,4 VA (230 V)
Max Input Power W	2,2 W (24 V), 2,3 W (230 V)
Nominal Supply Voltage	24-230 V, 50/60 Hz AC, DC
Protection Class	III (24 V), II (230 V)
IP Class	IP40
Temperature Range Min - Max	-30...+50 °C
Glow Wire Test of Plastic Materials	650 °C
Viewing Distance	25 m
Light Source	LED
Body Material	plastic
Colour	RAL9003

We reserve the rights to make modifications without notice.

Copyright © 2020 Teknoware. All rights reserved.

Date: December 30, 2020 | Source:

www.teknoware.com/en/emergency-lighting/easy-combo-emergency-light-or-emergency-exit-light-twtb171w

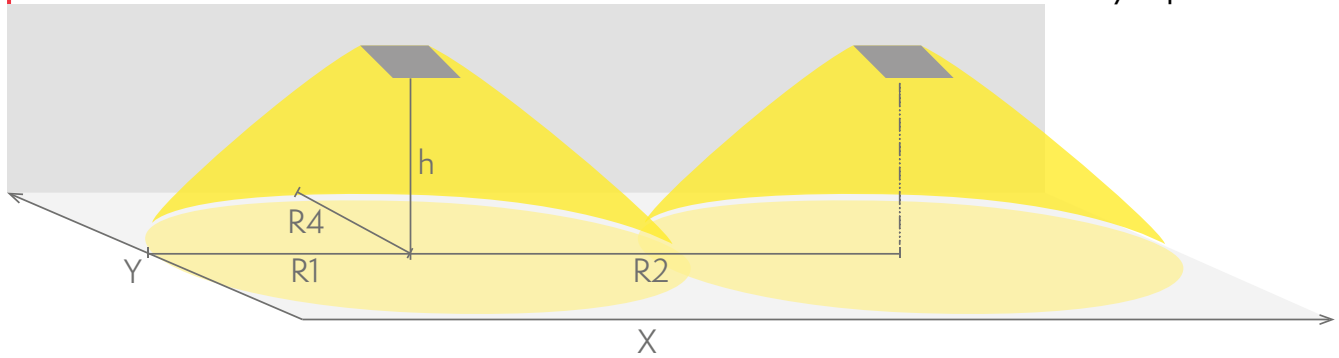


Electrical Installation	2 x 2,5mm ² (24 V), 2/3 x 2,5mm ² (230 V)
Luminous Flux	170 lm

Emergency lighting for escape routes (ceiling mounting)

Table of 1 lux for escape routes in the middle line according to the norm EN 1838.

Level of measurement 0,02 m, measurement result with battery operation.



R1 distance from wall (X axis)

R2 installation distance between lights (X axis)

R4 distance from wall (Y axis)

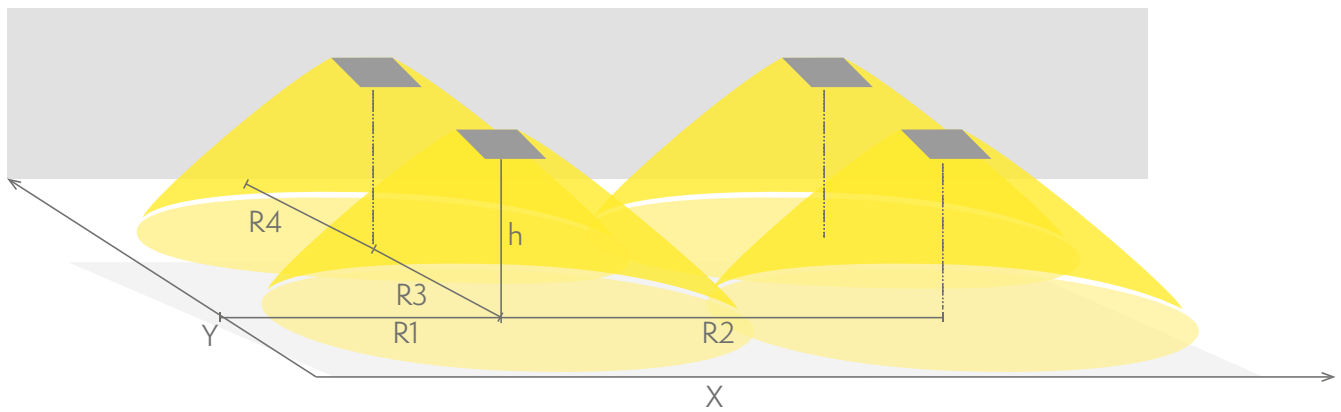
TWTB171W

Mounting height (m)	Below the light lux	R1 (m)	R2 (m)	R4 (m)
		1 lux	1 lux	1 lux
2,5	7	3	8	1
3	5	3	8.5	1
4	2.5	3	9.5	1

Emergency lighting for open areas (ceiling mounting)

Table of 0,5 lux for open areas according to the norm EN 1838, 0,5 m edge district is considered in the table.

Level of measurement 0,02 m, measurement result with battery operation.



- R1 distance from wall (X axis)
- R2 installation distance between lights (X axis)
- R3 installation distance between lights (Y axis)
- R4 distance from wall (Y axis)

TWTB171W

Mounting height (m)	Below the light lux	R1 (m)	R2 (m)	R3 (m)	R4 (m)
		0,5 lux	0,5 lux	0,5 lux	0,5 lux
2,5	7	3.5	7	7	3.5
3	5	3.5	7	7	3.5
4	2.5	3.5	7.5	7.5	3.5
6	1.2	4	8	8	4

OPTIONAL ACCESSORIES:

OTHER ACCESSORIES FOR EMERGENCY LIGHTS



Product Code	Product Name	Compatible Product Groups
TWTB110	Easy Combo IP54 gasket TWTB110	Other Accessories for Emergency Exit Lights

OPTIONAL MOUNTING ACCESSORIES FOR EMERGENCY EXIT LIGHTS



Product Code	Product Name	Compatible Product Groups
TWTB101	Easy Combo recess mounting frame TWTB101	Easy: Combo Emergency / Exit Light, Easy: Combo Emergency / Exit Light
TWTB103	Easy Combo flag bracket TWTB103	Easy: Combo Emergency / Exit Light, Easy: Combo Emergency / Exit Light

We reserve the rights to make modifications without notice.
 Copyright © 2020 Teknoware. All rights reserved.
 Date: December 30, 2020 | Source:
www.teknoware.com/en/emergency-lighting/easy-combo-emergency-light-or-emergency-exit-light-twtb171w



Product Code	Product Name	Compatible Product Groups
TWTB104	Easy Combo ceiling bracket TWTB104	Easy: Combo Emergency / Exit Light, Easy: Combo Emergency / Exit Light
TWTB105	Easy Combo suspension bracket TWTB105	Easy: Combo Emergency / Exit Light, Easy: Combo Emergency / Exit Light

COMPATIBLE PRODUCTS:

PICTOGRAMS FOR EMERGENCY EXIT LIGHTS



Product Code	Pictogram	Viewing Distance (m)	Compatible Product Groups
PBB100		25	

We reserve the rights to make modifications without notice.

Copyright © 2020 Teknoware. All rights reserved.

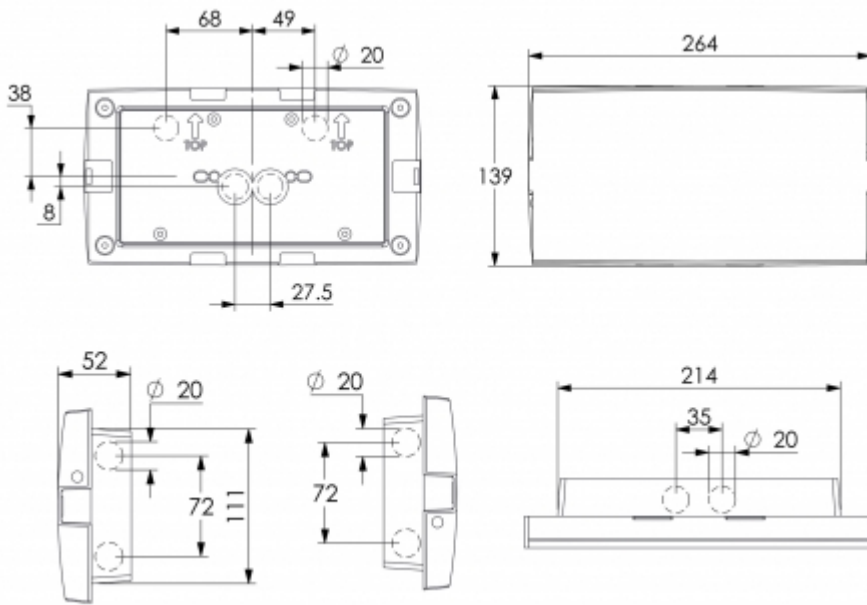
Date: December 30, 2020 | Source:

www.teknoware.com/en/emergency-lighting/easy-combo-emergency-light-or-emergency-exit-light-twtb171w



Teknoware Oy | P.O. Box 19, 15101 Lahti | Ilmarisentie 8, 15200 Lahti Finland

Tel +358 3 883 020 | VAT-number FI01494751 | teknoware.com | emexit@teknoware.com



We reserve the rights to make modifications without notice.
 Copyright © 2020 Teknoware. All rights reserved.
 Date: December 30, 2020 | Source:
www.teknoware.com/en/emergency-lighting/easy-combo-emergency-light-or-emergency-exit-light-twtb171w



Teknoware Oy | P.O. Box 19, 15101 Lahti | Ilmarisentie 8, 15200 Lahti Finland
 Tel +358 3 883 020 | VAT-number FI01494751 | teknoware.com | emexit@teknoware.com