

CONTRACOR®

corrosion control

EN

Abrasive Blasting Machines DBS-100RCS, DBS-200RCS

OPERATING MANUAL

Version 2.5

DE

Sandstrahlmaschinen DBS-100RCS, DBS-200RCS

BEDIENUNGSANLEITUNG

Version 2.5

Seite 20.

RU

Аппараты абразивоструйные DBS-100RCS, DBS-200RCS

РУКОВОДСТВО ПО ЭКСПЛУАТАЦИИ

Версия 2.5

стр. 38.



Contents

1. Safety	3
2. Package and description	4
3. Set-up, operation and shut-down	6
4. Abrasive blasting operations	8
5. Maintenance	10
6. Troubleshooting	11
7. Specification	13
8. Instructions for Use Pressure Vessel of Abrasive Blasting Machine CONTRACOR DBS	15



ATTENTION!

**READ AND FULLY UNDERSTAND THIS MANUAL BEFORE STARTING WORK.
THE FOLLOWING INFORMATION IS IMPORTANT FOR SAFETY AND HEALTH OF
OPERATOR AND PERSONNEL IN VICINITY.**



ATTENTION!

**BUYING THE MACHINE, PLEASE, REQUEST TO FILL IN THE GUARANTEE CARD
CORRECTLY!
FAILURE TO PRODUCE A FILLED-IN FORM WILL MAKE YOUR GUARANTEE
INVALID.**

1. Safety.

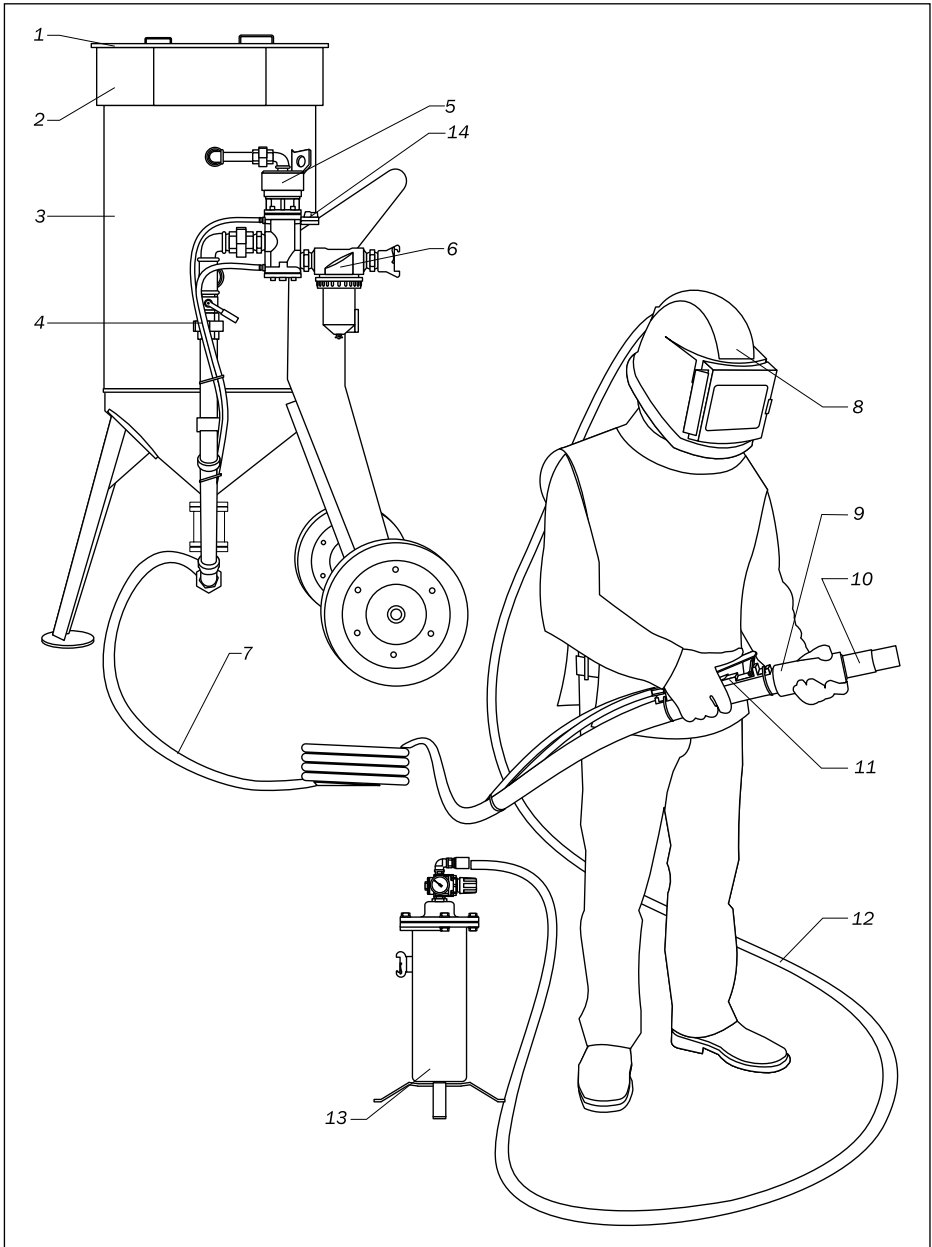


ATTENTION!

SAFETY MEASURES FOR ABRASIVE BLASTING.

1. **You must wear protective equipment: a helmet with positive air feed, breathing air filter, protection suit, leather gloves, and special footwear.**
2. **Do not use worn or damaged equipment during operation.**
3. **Point the nozzle only at the area to be cleaned.**
4. **Use only dry well-sieved abrasive materials, appropriate for abrasive blasting operations.**
5. **All personnel without protection equipment should be outside the zone of blasting operations.**
6. **Before starting abrasive blasting operations you must:**
 - Ensure that hoses and fittings are not worn;
 - Fix hose couplings with wire;
 - Ensure that air is fed to the helmet;
 - Ensure that pressurizing valve is in correct position;
 - Ensure that the machine is in steady state position

2. Package and description.



2.1. Package.

Table. 2.1.

Order code	Model	Description, package
10406	DBS-100RCS	Abrasive Blasting Machine, 100 L, screen, cover, moisture and oil separator filter CAF-1, remote control unit RCV, remote control handle DMH, metering valve SGV, twin hose in RC TWINLINE 20m, fitting set for RC hose.
10411	DBS-200RCS	Abrasive Blasting Machine, 200l, screen, cover, moisture and oil separator filter CAF-1, remote control unit RCV, remote control handle DMH, metering valve SGV, RC twin hose TWINLINE 20m, fitting set for RC hose.
10970	RCV	Remote control valve (5, Fig.2.1)
10880	DMH	Remote control handle (11, Fig.2.1)
12103	TWINLINE	Remote control twin hose, d=6mm, roll 40 m (4, Fig.2.1)

◀ Fig. 2.1.

1 – cover,
2 – screen,
3 – machine tank,
4 – RC hose TWINLINE,
5 – Remote control unit RCV,

6 – moisture and oil separator CAF-1,
7 – abrasive blasting hose UNIFLEX,
8 – operator helmet COMFORT,
9 – nozzle holder,
10 – nozzle,

11 – RC handle DMH,
12 – breathing air hose,
13 – breath air filter BAF-1,
14 – safety ball valve.

3. Set-up, operation and shut-down.

3.1. Preparation for operation.

For remote control system start up you should follow these instructions:

1. If necessary shorten the RC hose to the length of the used blasting hose.
2. Connect the fittings provided in the package with RC hose. Connect RC hose to distant control handle DMH from one side and TWINLINE line of the blasting machine from another side.



ATTENTION!

DO NOT TIGHTEN UNIONS TOO MUCH, IN PARTICULAR THE UNIONS OF RC HANDLE. IT CAN DAMAGE SOME COMPONENTS AND CAUSE AN AIR LEAK.

3. Ensure that all connections are leak-proof.
4. Ensure that all connections on the RC valve and RC handle DMH are connected properly, and according to the color. Transverse joint will make the system non-operational.
5. Fix RC handle DMH to the blasting hose, using clamp bands right behind the nozzle holder.
6. We recommend to connect a twin hose Twinline to the blasting hose using clamp bands every 1.5 m.



ATTENTION!

ALWAYS USE AN OIL-MOISTURE SEPARATOR WHEN USING REMOTE CONTROL SYSTEM TO PREVENT WEAR ON RC VALVE.

BESIDES, AN OIL-MOISTURE SEPARATOR OPTIMIZES ABRASIVE BLASTING OPERATIONS.

7. Ensure that compressor is positioned out of the abrasive blasting operations zone on downwind side.
8. Start compressor and increase pressure and temperature up to operational values.
9. Open the ball valve at machine compressed air line (the handle of the open valve should be parallel to the compressed air line).
10. Open the safety ball valve 14 (Fig.2.1).
11. Close metering valve SGV by rotating the handle clockwise.
12. Connect compressed air hose to hose coupling of the machine. Compressed air hose diameter should be at least 1.1/4". Lock hose coupling with a safety clip or wire.
13. Connect abrasive blasting hose to hose coupling of the machine. Lock hose coupling with a safety clip or wire.
14. Fill the machine tank with abrasive.
15. Put protective equipment on.

4. Abrasive blasting operations.

4.1. Start up.

1. Check all connections from compressor to the nozzle to ensure that they are properly fixed (badly fixed air hose of the compressor cause a serious damage).
2. Ensure that abrasive blasting machine is filled with abrasive.
3. Ensure that the necessary safety measures for you and others are observed:
 - protective equipment is used,
 - purified air is fed to the helmet.
4. Always check position of RC handle lever, which should be in the safety position with the holder in vertical position
5. Feed compressed air to the machine intake.



ATTENTION!

MACHINE MAXIMUM OPERATING PRESSURE – 10 bar.

6. Close both ball valves at the RC valve.
7. Ensure that there is no leak in the system. Air should come ONLY out of the vent under the RC handle lever.

4.2. Abrasive blasting operations.



ATTENTION!

DURING A BREAK IN OPERATION ALWAYS OPEN SAFETY BALL VALVE 14 (Fig. 2.1) AT RC VALVE, OVER AGAINST THE BLUE LINE OF TWIN HOSE (TWINLINE). RC HANDLE LEVER SHOULD BE NEVER FIXED IN OPERATION POSITION. SUCH FIXING MAY CAUSE A SERIOUS INJURE.

1. Turn the holder on RC handle and press the lever (start up). The tank is pressurized. Only compressed air is expelled from the nozzle.
2. Adjust metering valve SGV to provide optimal air-abrasive mixture. The general rule for abrasive blasting operations: the less abrasive you use, the better.
3. To stop operation you should release the lever (the holder automatically returns to its initial position).

4.3. Shut-down abrasive blasting operations.

1. Remove the remains of abrasive from the tank. To do this disconnect the nozzle and point the hose into a suitable container for the abrasive remains. Turn the holder on the RC handle and press the lever.
2. If upon completion of operation the machine is left outside you should cover it with plastic film to avoid ingress of moisture into the tank.



ATTENTION!

AT START UP AND SHUT DOWN ALWAYS CHECK FOR PRESENCE OF WATER IN THE SGV VALVE BY OPENING THE UPPER BALL VALVE (Fig. 7.1). IF A LARGE AMOUNT OF WATER IS PRESENT, CHECK THE FILTER CAF-3.

5. Maintenance.

5.1. Machine maintenance.

Pressurizing valve replacement.

Open the inspection door of the machine to get access to the pressurizing valve. Screw out the guide tube with the valve inside. Install a new valve and screw the guide tube back into its place.

Pressurizing valve ring replacement.

The ring is replaced through the machine filling orifice. Pull out the old ring, put a new ring into the groove and press it heavily to correct position.



ATTENTION!

USE ONLY ABRASIVE MATERIALS, APPROPRIATE FOR ABRASIVE BLASTING OPERATIONS.

NEVER USE WET UNSIFTED ABRASIVE MATERIALS.

5.2. Daily maintenance.

1. Check the control valve for water presence. If water is present, check the CAF-3 filter state.
2. Ensure that the rubber insert of the RC handle is in proper condition. If they look bad or are worn, replace them, to avoid possible damage.
3. Ensure that hoses and fittings are not worn; and properly fixed.

5.3. Monthly maintenance (or after every 160 operation hours).

1. Ensure that the muffler and its pipe are in proper condition.
2. Ensure that there is no leak in all air connections.

3. Dismantle the control valve following RCV operation manual and check all moving parts. If they look worn, replace them, to avoid possible damage. Assemble the valve and lubricate its moving parts with general purpose lube oil.

6. Troubleshooting.

Choking.

If neither abrasive, nor air comes out of the nozzle, relieve pressure and depressurize the machine, then ensure that the nozzle is not choked. If only air without any abrasive comes out of the nozzle, fully open the metering valve, and then quickly close and open again the lower ball valve of the line. If these actions do not help to relieve the pressure in the machine, open the inspection door and ensure that there is no foreign matter in the tank (stones, paper, etc.).

Abrasive surges.

During start-up of the machine abrasive surges are normal to a certain degree. However if abrasive surges continue, you should stabilize the abrasive flow by quick closing and opening of the line lower ball valve. Abrasive surges often result from elevated moisture content in compressed air system. Installation of additional moisture and oil separator can solve this problem.

Wet abrasive removal.

To remove wet abrasive from machine tank you should disconnect the blasting hose and remove rubber gaskets at machine hose coupling. Then you must fully open the metering valve and close the lower ball valve in the machine compressed air line. With such valve configuration compressed air will only enter the machine tank and press wet abrasive out of the tank.

6.1. RC system troubleshooting.

The following list of checks can be used for determining problems in case the RC system does not function properly:

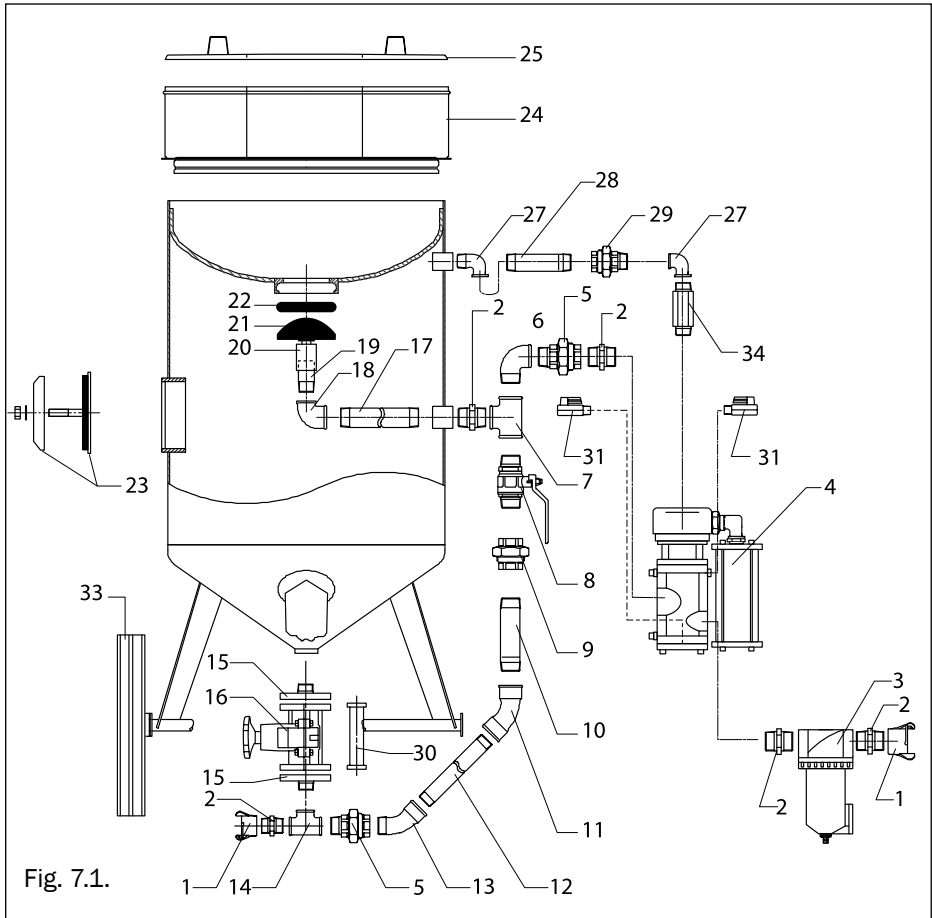
1. Study SGV operation manual.
2. Visually check all air hoses and connections to ensure that there are no air leaks.
3. Ensure that the safety and drain valve are closed.

4. Check the RC handle for air leaks:

- when the key is not depressed, the air should come only out of the body vent.
- when the key is depressed no air should come out of the handle.

Problem	Cause	Solution
Air does not come out of the vent in the RC handle body.	Twinline hose is clogged or pinched.	Disconnect the Twinline hose and ensure that it is not clogged.
Control valve RCV does not open.	Safety drain valve is still open.	Close the safety drain valve.
	Air feed to abrasive blasting machine is not sufficient.	Dismantle the control valve, all parts should rotate freely.
RC control valve RCV does not close.	RC handle channels are clogged.	Remove the key and clean it.
	Incorrect connection of TWINLINE hose.	Check connections and change them if they are incorrect.
	Control valve failure.	Disassemble the valve and ensure that it functions properly.

7. Specification.



Pos. #	Order code	Description	Quantity	
			DBS-100RCS	DBS-200RCS
1	10900	Hose coupling, CFT	2	2
2	10911	Nipple 1 1/4" (MM), rubberized	6	6
3	10930	Oil-Moisture separator, CAF-3	1	1
4	10970	Remote control unit RCV	1	1
5	10915	Union with a cap nut, straight , 1 1/4", (FM)	3	2
6	10909	Elbow, 90°, 1 1/4" (FM)	1	1
7	10910	T-piece, 90°, 1 1/4", (FFF)	1	1
8	10942	Ball valve, 1 1/4", (MM)	1	1
9	10913	Union with a cap nut, straight , 1 1/4", (FF)	1	1

10	10992	Pipe 1 1/4", (MM) 190 mm for DBS-100RCS /DBS-200RCS	1	–
	10991	Pipe 1 1/4", (MM) 420 mm for DBS-200RCS	–	1
11	10916	Elbow, 45°, 1 1/4" (FF)	1	1
12	10992	Pipe 1 1/4", (MM) 190 mm for DBS-100RCS /DBS-200RCS	1	1
13	10919	Elbow, 45°, 1 1/4" (FM)	1	1
14	10948	T-piece, 90°, 1 1/4", (FFF), rubberized	1	1
15	10949	Threaded flange 1 1/4" for SGV valve	1	1
16	10946	SGV metering valve	1	1
17	10994	Pipe 1", (MM) 190 mm for DBS-100	1	–
	10952	Pipe 1", (MM) 260 mm for DBS-200	–	1
18	10953	Elbow 90°, 1", (FF)	1	1
19	10993	Pipe 1", (M) 165 mm for DBS-100	1	–
	10954	Pipe 1", (M) 190 mm for DBS-200	–	1
20	10955	Guide	1	1
21	10960	Pressurizing valve	1	1
22	10950	Pressurizing valve seat	1	1
23	10932	DBS tank service assembly, kit	1	1
24	10935	Screen	1	–
	10936	Screen	–	1
25	10933	Tank cover	1	–
	10934	Tank cover	–	1
27	10956	Elbow, 90°, 3/4" (MF)	2	2
28	10958	Pipe 3/4"	1	1
29	10957	Union with a cap nut, straight, 3/4" (FF)	1	1
30	10947	Rubber pipe for SGV valve	1	1
31	10828	RC Ball valve, 1/4"	2	2
33	10922	Wheel	2	–
	10923	Wheel	–	2
34	10830	Extension for DBS-100 RC/RCS	1	–
	10844	Extension for DBS-200 RC/RCS	–	1

8. Instructions for Use Pressure Vessel of Abrasive Blasting Machine **CONTRACOR DBS.**

8.1. Technical Parameters.

Vessel Type		DBS - 100 - 10	DBS - 200 - 10
Volume	V (L)	100	200
Calculated Pressure	P (MPa)	1,0	1,0
Maximum Working Pressure	PS (Bar)	10	10
Maximum Test Pressure	PT (bar)	14,3	14,3
Minimal Operating Temperature	TSmin (°C)	-10	-10
Maximum Operating Temperature	TSmax (°C)	50	50
Corrosion charge	c ₂ (mm)	0,5	0,5
Media		air + abrasive materials	air + abrasive materials

8.2. Field of Application.

The pressure vessels are intended for use only with the media and within the parameters stated in the table above. The use for any other purpose is not allowed.

8.3. Set Up and Installation.

1. The vessels can be set up indoors or outdoors under a roof. Safety-regulations and standards and fire-regulations and standards, depending on the media used, must be observed when choosing a place for setup. When set up outdoors, the minimal and maximum working temperatures must be observed.
2. The vessels have to be installed in such a way that they and all fittings and parts are accessible for inspections, tests, maintenance and cleaning, from the inside and the outside.
The type plate has to be accessible and kept clean so that it is readable at all times.
3. The main body is based on supports, stands or feet suitable for the strain of the pressure test. The vessel must be set up on foundations with a stability suitable for the strain of the pressure test.

8.4. Setting the Vessel to Work.

A. Conditions for setting the vessel to work.

1. The vessel can be set to work, including test operation, if:
 - its condition does not pose a danger to people and environment,
 - the system and equipment is complete, tested and meets the requirements according to the documentation and applying standards.

B. Procedure before start up of the machine

2. Before closing the vessel make sure that there is no foreign matter or object inside.
3. Make sure that all inspection doors and flanges have the correct number of bolts, that the bolts are inserted correctly in place and of the right length and tightened to the correct torque.

C. Start up Procedure.

4. If not stated otherwise in the instructions for the start up of the vessel, the control valve must open in such a way that the pressure does not rise more than 5 bar per minute and the temperature does not exceed the value stated for the start up of the vessel. Avoid sudden changes in pressure or temperature as they can cause unfavourable tension.
5. Always watch the vessel, valves and fittings during the start up of the system. If a problem occurs, e.g. leaks or cracks, the vessel has to be closed down immediately.
6. **During transport vessels must not be under pressure and they must not contain media.**
7. When the working pressure is built up, check the vessel and its attachments for leaks.

D. Operation of the vessels.

8. The vessel must be closed down immediately,
 - if cracks appear,
 - if there is a leak in a connection that can be disassembled,
 - if there is a safety-equipment failure or defect (e.g. clogging of the safety valve) or a failure of the level meter etc.,
 - when there is immediate danger of an accident or a problem if operation continue,
 - if any other unusual phenomena occur during operation whose causes cannot be found or eliminated,
 - if a deformation on the vessel wall occurs,
 - if the temperature exceeds the maximum working temperature,
 - in all cases stated in the manual that advise the operator to do so.

8.5. Operating the Vessel.

1. Only persons meeting the following requirements are allowed to operate the vessel:
 - The person is of age and able to do such work,
 - The person knows the applying regulations and rules for the operation of the vessel well, has been trained practically and has passed a corresponding exam which is documented by a certificate.

A. Duties and responsibilities of the operator

2. The person appointed to operate the vessel is obliged to:
 - know all facilities and equipment securing a safe operation, and their use, well and be able to react appropriately in unusual circumstances to restore safety,
 - report every problem, damage or unusual incidents, occurring during operation of the vessel or its attachments, to his superior immediately and close down the vessel if further operation could be dangerous,
 - take part in checks and inspections of the vessel, so that he knows the condition of the vessel,
 - check and test the equipment as recommended,
 - document the operation according to the regulations,

B. Vessel Inspections and Tests

3. The vessels have to be subjected to the following tests and inspections:
 - External inspection during operation,
 - Inspection of interior,
 - Leak test,
 - Pressure test ,
The tests must be conducted according to the applying regulations for the use of pressure equipment of the respective country that the vessel is used in.

C. Documentation of Inspections.

4. The results of the inspections and tests are recorded in an inspection log, filled in on inspection cards or an inspection-certificate is written. The inspection log has to be kept with the user and available during the whole period of use of the vessel.

8.6. Cleaning and Maintenance of Vessels.

1. The cleaning method and media have to be in such a way that they do not damage the walls of the vessel or endanger the workers.
2. The vessel must be cleaned inside and outside and it must be covered with a suitable layer of paint that protects it from influences of the operating media and external influences.
3. Only specially trained and experienced persons are allowed to work on the vessel and the system components, including the safety equipment. They have to be appointed with their names put down and they have to know the regulations in this field of work.

8.7. Repair of Vessels.

It is not allowed to weld or work on the parts of the vessel that are subject to pressure. Only authorized organizations are allowed to install or repair the vessels.

Inhalt

1. Sicherheit	21
2. Ansicht Arbeitsaufbau	22
3. Aufbau, Betrieb und Beenden der Arbeit	24
4. Durchführung von Strahlarbeiten	26
5. Wartung	28
6. Fehlerbehebung	29
7. Spezifikation	31
8. Bedienungsanleitung der Druckbehälter des Strahlgerätes CONTRACOR DBS	33



ACHTUNG!

BITTE LESEN SIE DIESES HANDBUCH VOR GEBRAUCH DER MASCHINE GENAU DURCH:

DIE FOLGENDEN INFORMATIONEN SIND WICHTIG FÜR DIE SICHERHEIT UND GESUNDHEIT DES ANWENDERS UND PERSONEN, DIE SICH IN DER NÄHE AUFHALTEN.



ACHTUNG!

ACHTEN SIE BEIM KAUF DER MASCHINE BITTE DARAUF, DASS DIE GARANTIEKARTE VOLLSTÄNDIG AUSGEFÜLLT WIRD.

WENN DIE KARTE NICHT AUSGEFÜLLT VORLIEGT, BESTEHT KEIN GARANTIEANSPRUCH.

1. Sicherheit.

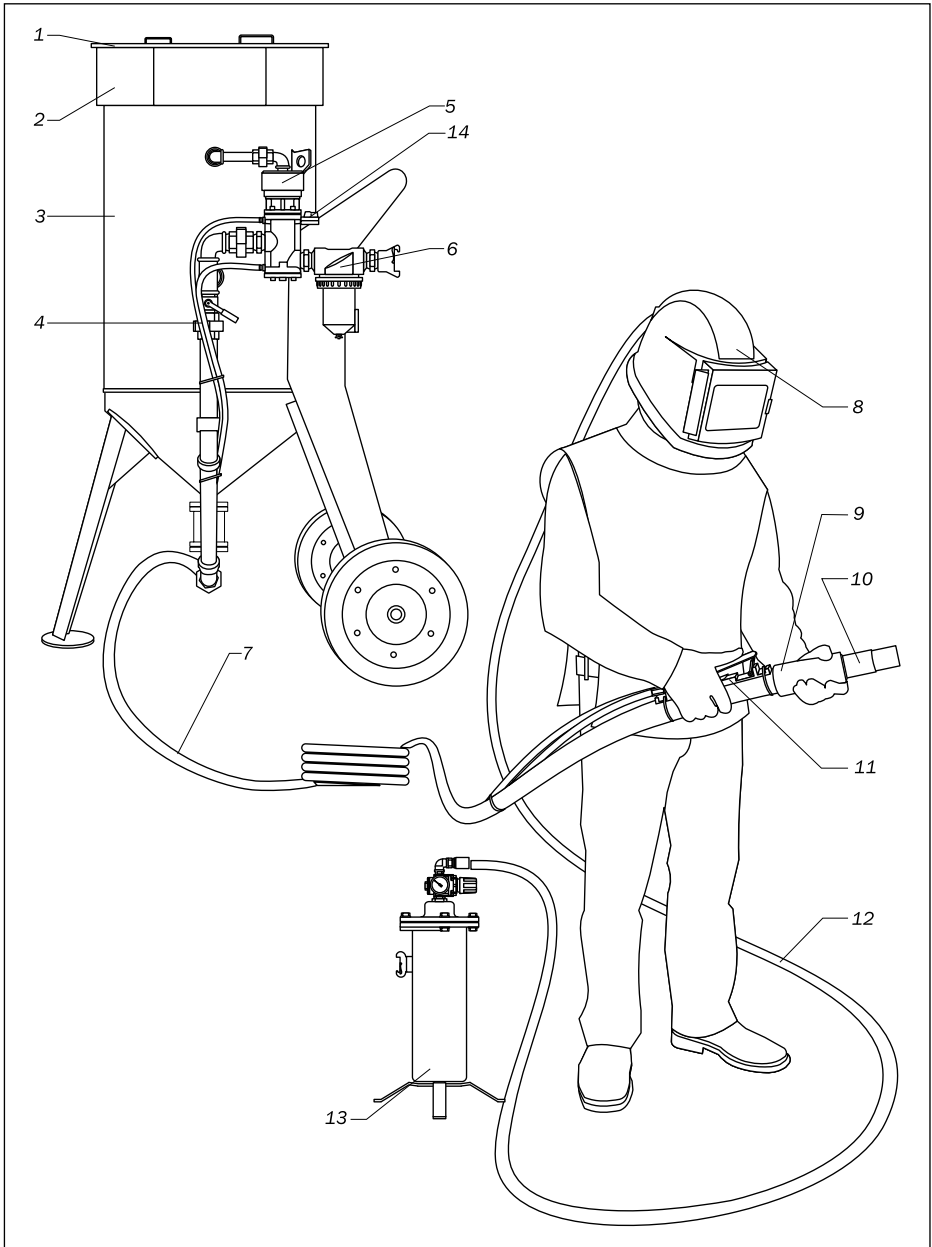


ACHTUNG!

SICHERHEITSREGELN FÜR STRAHLARBEITEN.

- 1. Tragen Sie Schutzausrüstung: einen Strahlhelm mit Frischluftzufuhr und Atemluftfilter, einen Schutzanzug, Lederhandschuhe, und spezielles Schuhwerk.**
- 2. Benutzen Sie keine abgenutzte oder beschädigte Ausrüstung.**
- 3. Richten Sie die Düse nur auf den zu bearbeitenden Bereich.**
- 4. Verwenden Sie nur geeignete, trockene und gut durchgesiebte Strahlmaterialien.**
- 5. Alle Personen ohne Schutzausrüstung müssen außerhalb des Arbeitsbereiches bleiben.**
- 6. Bevor Sie mit der Strahlarbeit beginnen, müssen Sie folgendes beachten:**
 - Stellen Sie sicher, dass Schläuche und Verbindungen unbeschädigt und nicht abgenutzt sind;**
 - Sichern Sie Schlauchkupplungen mit Sicherungsstift oder Draht;**
 - Überprüfen Sie die Luftzufuhr des Helmes;**
 - Stellen Sie sicher, dass das Kesseldruckventil richtig eingestellt ist;**
 - Überprüfen Sie den festen und sicheren Stand der Maschine.**

2. Ansicht Arbeitsaufbau.



2.1. Beschreibung.

Tabelle 2.1.

Bestellnummer	Modell	Beschreibung, Lieferumfang
10406	DBS-100RCS	Strahlmaschine, 100 l, Sieb, Deckel , Wasserabscheider CAF-3, Fernbedienungsventil RCV, Fernbedienungshebel DMH, Dosierventil für metallische Strahlmittel SGV, Doppelschlauch RC TWINLINE 20 m, Anschluss-Set für Fernbedienungs-schlauch.
10411	DBS-200RCS	Strahlmaschine, 200 l, Sieb, Deckel, Wasserabscheider CAF-3, Fernbedienungsventil RCV, Fernbedienungshebel DMH, Dosierventil für metallische Strahlmittel SGV, Doppelschlauch TWINLINE 20 m, Anschluss-Set für Fernbedienungs-schlauch.
10970	RCV	Fernbedienungsventil (5, Abb. 2.1)
10880	DMH	Fernbedienungshebel (11, Abb. 2.1)
12103	TWINLINE	Doppelschlauch für Fernbedienung, d=6mm, Rolle 40 m (4, Abb.2.1)

◀ Abb. 2.1.

1 – Deckel,
2 – Sieb,
3 – Kessel,
4 – Fernbedienungs-schlauch
TWINLINE,

5 – Fernbedienungsventil RCV,
6 – Wasserabscheider CAF-3,
7 – Strahlschlauch UNIFLEX,
8 – Strahlhelm COMFORT,
9 – Düsenhalter,
10 – Düse,
11 – Fernbedienung DMH,

12 – Atemluftschlauch,
13 – Atemluftfilter BAF-1,
14 – Unterbrecherkugelventil.

3. Aufbau, Betrieb und Beenden der Arbeit.

3.1. Arbeitsvorbereitung.

Zur Inbetriebnahme des Fernbedienungssystems sollten Sie folgende Schritte einhalten:

1. Falls notwendig, kürzen Sie den Fernbedienungsschlauch auf die Länge des verwendeten Strahlschlauches.
2. Bringen Sie die mitgelieferten Anschlussstücke an dem Fernbedienungsschlauch TWINLINE an. Schließen Sie dann das eine Schlauchende am Fernbedienungshebel DMH und das andere an der Strahlmaschine an.



ACHTUNG!

ZIEHEN SIE DIE VERBINDUNGEN NICHT ZU FEST AN, INSBESONDERE DIE AN DER FERNBEDIENUNG, DA SIE SONST BESCHÄDIGT UND UNDICHT WERDEN KÖNNTEN.

3. Bitte überprüfen Sie, ob alle Verbindungen leckfrei sind.
4. Stellen Sie sicher, dass alle Verbindungen an der Fernbedienung DMH und dem Fernbedienungsventil richtig und den Farbmarkierungen entsprechend angeschlossen sind. Bei vertauschten Anschlüssen funktioniert das System nicht.
5. Befestigen Sie die Fernbedienung DMH direkt hinter dem Düsenhalter mit Schlauchschellen am Strahlschlauch.
6. Wir empfehlen, den Tinline-Schlauch alle 1,5 m mit Schlauchschellen am Strahlschlauch zu befestigen.



ACHTUNG!

BENUTZEN SIE IMMER EINEN WASSERABSCHEIDER MIT IHREM FERNBEDIENUNGSSYSTEM, UM DAS VENTIL VOR ÜBERMÄSSIGER ABNÜTZUNG ZU SCHÜTZEN.

EIN ABSCHIEDER WIRKT SICH AUSSERDEM POSITIV AUF DIE STRALARBEIT AUS.

7. Stellen Sie sicher, dass der Kompressor außerhalb der Strahlarbeitszone und nicht in Windrichtung steht.
8. Starten Sie den Kompressor und bringen Sie ihn auf Druck und Betriebstemperatur.
9. Öffnen sie das Kugelventil an der Druckluftzufuhr der Maschine (Bei geöffnetem Ventil steht der Hebel parallel zur Druckluftleitung).
10. Öffnen Sie das Unterbrecherventil 14 (Abb. 2.1).
11. Schließen Sie das Mischventil SGV durch Drehen des Hebels im Uhrzeigersinn.
12. Verbinden Sie den Druckluftschlauch mit der Schlauchkupplung an der Maschine. Der Schlauchdurchmesser sollte mindestens 1.1/4" betragen. Sichern Sie die Schlauchkupplung mit einem Sicherheitsstift oder Draht.
13. Füllen Sie den Kessel mit Strahlmittel.
14. Legen Sie die Schutzausrüstung an.

4. Durchführung von Strahlarbeiten.

4.1. Arbeitsbeginn.

1. Überprüfen Sie alle Verbindungen, vom Kompressor bis zur Düse, schlechte Verbindungen können eine ernste Gefahr darstellen.
2. Stellen Sie sicher, dass Strahlmittel im Kessel ist.
3. Achten Sie darauf, dass die notwendigen Sicherheitsmaßnahmen für Sie und andere Personen eingehalten werden:
 - Sicherheitsausrüstung wird verwendet,
 - Gereinigte Luft wird in den Helm geleitet.
4. Überprüfen Sie immer die Stellung des Hebels an der Fernbedienung, er sollte sich in Ruheposition befinden, mit dem Sicherungsbügel in senkrechter Stellung.
5. Legen Sie Druckluft am Einlass der Maschine an.



ACHTUNG!

DER MAXIMALE ARBEITSDRUCK DER MASCHINE BETRÄGT 10 bar.

6. Schließen Sie beide Kugelhähne am RCV-Ventil.
7. Überprüfen Sie System auf Lecks. Luft sollte NUR aus der Auslassöffnung unter dem Hebel an der Fernbedienung kommen.

4.2. Strahlarbeiten.



ACHTUNG!

ÖFFNEN SIE WÄHREND EINER ARBEITSPAUSE IMMER DAS UNTERBRECHERVENTIL 14 (Abb. 2.1) AM FERNBEDIENUNGSVENTIL RCV (PARALLELSTELLUNG ZUM SCHLAUCH).

DER HEBEL AN DER FERNBEDIENUNG DMH DARF NIEMALS IN DER ARBEITSPOSITION FESTGESETZT WERDEN, EINE BEFESTIGUNG DES HEBELS KÖNNTE SCHWERE UNFÄLLE AUSLÖSEN.

1. Klappen Sie den Bügel an der Fernbedienung um und drücken Sie den Hebel. Der Kessel wird unter Druck gesetzt, aus der Düse wird nur Druckluft ausgestoßen.
2. Stellen Sie die optimale aus Luft und Strahlmittel am Mischventil SGV ein. Im Allgemeinen gilt: je weniger Strahlmittel verwendet wird, desto besser.
3. Um die Arbeit zu beenden, lassen Sie den Hebel los, worauf er in seine Ausgangsposition zurückkehrt und der Bügel hochklappt.

4.3. Beenden der Arbeit.

1. Entfernen Sie das restliche Strahlmittel aus dem Kessel. Nehmen Sie dazu die Düse ab und richten den Schlauch in einen geeigneten Behälter. Klappen Sie dann den Bügel an der Fernbedienung um und drücken Sie den Hebel. Das Strahlmittel wird nun aus dem Kessel herausgepresst.
2. Falls die Maschine nach Beendigung der Arbeit im Freien verbleibt, sollte sie mit einer Plane abgedeckt werden, um Eindringen von Feuchtigkeit zu vermeiden.



ACHTUNG!

ÜBERPRÜFEN SIE DAS RCV-VENTIL VOR ARBEITSBEGINN UND NACH BEENDIGUNG AUF WASSER. ÖFFNEN SIE DAZU DEN ABLASSHAHN (Abb. 7.1). FALLS VIEL WASSER VORHANDEN SEIN SOLLTE, ÜBERPRÜFEN SIE DEN ABSCHIEDER CAF-3.

5. Wartung.

5.1. Wartung der Maschine.

Ersetzen des Kesseldruckventils.

Öffnen Sie das Handloch der Maschine, um Zugang zum Ventil zu bekommen. Schrauben Sie das Führungsrohr, auf dem sich das Ventil befindet, aus. Installieren Sie ein neues Ventil und schrauben Sie das Führungsrohr wieder ein.

Ersetzen des Dichtungsring.

Der Ring wird durch die Befüllungsöffnung ausgetauscht. Ziehen Sie den alten Ring heraus, setzen Sie einen neuen Dichtungsring in die Aussparung ein und drücken Sie ihn fest in die korrekte Position.



ACHTUNG!

BENUTZEN SIE NUR GEEIGNETE STRAHLMITTEL.

VERWENDEN SIE KEINE FEUCHTEN ODER UNGESIEBTEN STRAHLMITTEL.

5.2. Tägliche Wartung.

1. Überprüfen Sie das Fernbedienungsventil auf Wasser. Falls Wasser im Modul ist, überprüfen Sie den Zustand des CAF-3 Öl- und Feuchtigkeitsabscheiders.
2. Überprüfen Sie den Zustand der Gummieinlagen der Fernbedienung DMH. Falls Sie schadhaft oder abgenutzt aussehen, ersetzen Sie sie, um mögliche Schäden zu vermeiden.
3. Stellen Sie sicher, dass Schläuche und Verbinder nicht abgenutzt und ordnungsgemäß befestigt sind.

5.3. Monatliche Wartung (oder alle 160 Betriebsstunden).

1. Stellen Sie sicher, dass der Dämpfer und seine Zuleitung in einwandfreiem Zustand sind.
2. Überprüfen Sie alle Verbindungen auf Undichtigkeiten.
3. Zerlegen sie das Fernbedienungsventil RCV. Folgen Sie dazu den Schritten in 5.2. Überprüfen Sie alle beweglichen Teile. Falls sie abgenutzt aussehen, ersetzen Sie sie um mögliche Schäden zu vermeiden. Bauen Sie das Ventil wieder zusammen und schmieren Sie alle beweglichen Teile mit Allzweckschmieröl.

6. Fehlerbehebung.

Verstopfen.

Falls weder Strahlmittel noch Luft aus der Düse kommt, lassen Sie den Druck aus der Maschine ab und überprüfen Sie, ob die Düse verstopft ist. Falls nur Luft und kein Strahlmittel austritt, öffnen Sie das Mischventil ganz und schließen und öffnen Sie das untere Ventil an der Luftzufuhr der Maschine in schnellem Wechsel. Falls diese Maßnahme nicht hilft, lassen Sie den Druck aus dem Kessel ab, öffnen Sie das Handloch und stellen Sie sicher, dass sich keine Fremdkörper (Steine, Papier etc.) im Kessel befinden.

Stoßweiser Austritt von Strahlmittel.

Bei Inbetriebnahme der Maschine sind gelegentliche Stöße von Strahlmittel normal. Falls das Auftreten von schubweisem Ausstoß jedoch anhält, sollten Sie versuchen, den Strahlmittelfluss durch schnelles Schließen und Öffnen des unteren Druckluftventils zu stabilisieren.

Strahlmittelstöße sind oft auf erhöhten Feuchtigkeitsgehalt in Druckluftsystem zurückzuführen. Die Installation eines zusätzlichen Öl- und Feuchtigkeitsabscheiders kann dieses Problem verhindern.

Entfernen von feuchtem Strahlmittel.

Um feuchtes Strahlmittel aus dem Kessel zu entfernen, sollten Sie das Mischventil schließen, den Strahlschlauch abnehmen und die Gummidichtung aus der Schlauchkupplung der Maschine herausnehmen. Öffnen Sie dann das Mischventil ganz und schließen Sie das untere Ventil der Druckluftleitung der Maschine. Mit dieser Ventilstellung wird die Druckluft nur in den Kessel geleitet und drückt so das feuchte Strahlmittel heraus.

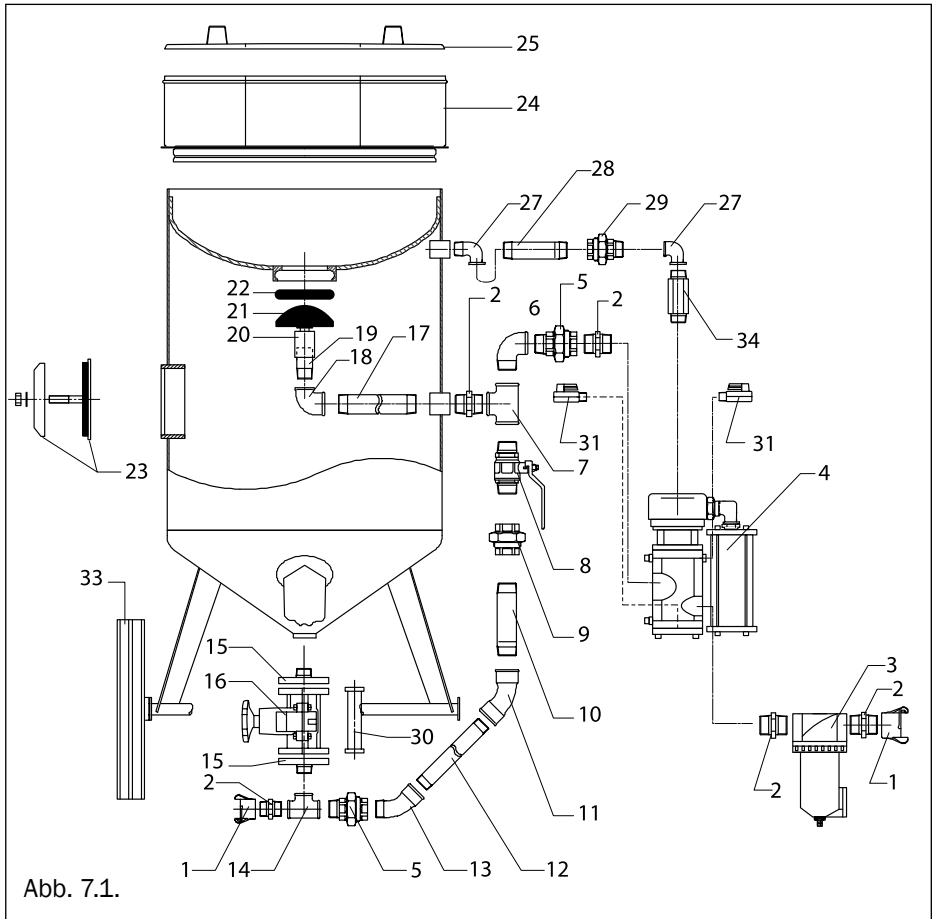
6.1. Störungsbeseitigung Fernbedienung.

Falls die Fernbedienung nicht ordnungsgemäß funktioniert, können Sie die folgenden Schritte zur Auffindung des Problems unternehmen:

1. Lesen Sie die Anweisungen in diesem Handbuch genau durch.
2. Führen Sie eine Sichtkontrolle aller Schläuche und Verbindungen durch, um eventuelle Lecks zu finden.
3. Stellen Sie sicher, dass das Unterbrecherventil und der Entleerungshahn geschlossen sind.
4. Überprüfen Sie Fernbedienung:
 - wenn der Hebel in Ruhestellung ist, sollte die Luft nur aus der Öffnung im Gehäuse kommen.
 - wenn der Hebel betätigt wird, darf keine Luft austreten.

Problem	Ursache	Solution
Es kommt keine Luft aus der Öffnung im DMH-Hebelgehäuse.	Der Tinline-Schlauch ist verstopft oder undicht.	Nehmen Sie den Tinline-Schlauch ab und überprüfen Sie ihn.
Das Ventil RCV öffnet nicht.	Das Unterbrecher- oder das Entleerungsventil ist noch auf.	Schließen Sie das Unterbrecherventil und das Entleerungsventil.
	Die Luftzufuhr zur Strahlmaschine reicht nicht aus.	Zerlegen und überprüfen Sie das RCV-Ventil. Alle Teile sollten leichtgängig sein.
Fernbedienungsventil RCV schließt nicht.	Die Luftführung in der Fernbedienung DMH ist verstopft.	Nehmen Sie die Fernbedienung ab und reinigen Sie sie.
	Der TWINLINE-Schlauch ist falsch angeschlossen.	Überprüfen Sie die Anschlüsse und ändern Sie sie, falls sie vertauscht sind.
	Ventil RCV arbeitet nicht richtig.	Zerlegen Sie das Ventil und überprüfen Sie den Zustand und die Funktion der Teile.

7. Übersichtszeichnung.



Pos. #	Artikel.	Beschreibung	Menge	
			DBS-100RCS	DBS-200RCS
1	10900	Schlauchkupplung, CFT	2	2
2	10911	Doppelnippel 1.1/4», gummiert	6	6
3	10930	Öl- und Feuchtigkeitsabscheider, CAF-3	1	1
4	10970	Fernsteuerung RCV	1	1

5	10915	Verschraubung gerade , 1 1/4", (innen/außen)	3	2
6	10909	Bogen, 90°, 1 1/4" (innen/außen)	1	1
7	10910	T-Stück, 90°, 1 1/4", (innen/innen/innen)	1	1
8	10942	Kugelventil, 1 1/4", (außen/außen)	1	1
9	10913	Verschraubung gerade, 1 1/4", (innen/innen)	1	1
10	10992	Rohr 1 1/4", (außen/außen) 190 mm für DBS-100RCS /DBS-200RCS	1	—
	10991	Rohr 1 1/4", (außen/außen) 420 mm für DBS-200RCS	—	1
11	10916	Bogen, 45°, 1 1/4" (innen/innen)	1	1
12	10992	Rohr 1 1/4", (außen/außen) 190 mm für DBS-100RCS /DBS-200RCS	1	1
13	10919	Bogen, 45°, 1 1/4" (innen/außen)	1	1
14	10948	T-Stück 1.1/4", gummiert	1	1
15	10949	Gewindeflansch 1 1/4" für SGV Strahlmittelventil	1	1
16	10946	SGV Dosierventil	1	1
17	10994	Rohr 1", (außen/außen) 190 mm für DBS-100	1	—
	10952	Rohr 1", (außen/außen) 260 mm für DBS-200	—	1
18	10953	Bogen 90°, 1", (innen/innen)	1	1
19	10993	Rohr 1", (außen) 165 mm für DBS-100	1	—
	10954	Rohr 1", (außen) 190 mm für DBS-200	—	1
20	10955	Führungsrohr mit Ventilsitz	1	1
21	10960	Kesseldruckventil	1	1
22	10950	Dichtungsring der Ventilaufnahme	1	1
23	10932	Handlochdeckel für DBS-Kessel, Satz	1	1
24	10935	Sieb	1	—
	10936	Sieb	—	1
25	10933	Deckel	1	—
	10934	Deckel	—	1
27	10956	Bogen 90°, 3/4" (innen/außen)	2	2
28	10958	Rohr 3/4"	1	1
29	10957	Verschraubung gerade 3/4" (innen/innen)	1	1
30	10947	Gummeinsatz für SGV Strahlmittelventil	1	1
31	10828	Kugelventil, 1/4"	2	2
33	10922	Rad	2	—
	10923	Rad	—	2
34	10830	Verlängerung für DBS-100 RC/RCS	1	—
	10844	Verlängerung für DBS-200 RC/RCS	—	1

8. Bedienungsanleitung der Druckbehälter des Strahlgerätes CONTRACOR DBS.

8.1. Technische Parameter.

Behältertyp		DBS - 100 - 10	DBS - 200 - 10
Volumen	V (L)	100	200
Berechnungsdruck	P (Bar)	1,0	1,0
Höchstbetriebsdruck	PS (Bar)	10	10
Maximaler Prüfdruck	PT (bar)	14,3	14,3
Minimale Betriebstemperatur	TSmin (°C)	-10	-10
Maximale Betriebstemperatur	TSmax (°C)	50	50
Korrosionszuschlag	c ₂ (mm)	0,5	0,5
Medium		Luft + Schleifmittel	Luft + Schleifmittel

8.2. Anwendungsbereich.

Die Druckbehälter sind nur mit den Medien und im Bereich der Betriebsparameter, die in der Tabelle „Technische Parameter“ dargestellt werden, anzuwenden. Die Anwendung für andere Zwecke ist verboten.

8.3. Aufstellung und Installation.

1. Die Behälter können in Arbeitsräumen oder unter einem Dach im Freien aufgestellt werden.
Bei der Wahl der Arbeitsstelle sollten Sicherheitsvorschriften und -normen sowie Feuerwehr/Brandschutzvorschriften beachtet werden, wenn ihr Medium dies verlangt. Bei Einbau der Behälter im Freien sollte die minimale und maximale zulässige Betriebstemperatur beachtet werden.
2. Die Behälter müssen so ein/aufgebaut werden, dass alle Armaturen und Behälterteile für Revisionen, Versuche, Wartung und Reinigung, sowohl von innen als auch von außen, zugänglich sind.
Zugänglich muss auch das Typenschild sein, das so gepflegt werden muss, dass es immer lesbar ist.
3. Der Grundkörper ist auf Füßen, Stützen oder Ständer gelagert, die für die Belastung des Innendruckversuches geeignet sind. Der Behälter muss auf Fundamenten mit entsprechender Tragfähigkeit aufgestellt werden, die für die Belastung des Innendruckversuches geeignet sind.

8.4. Betrieb von Behältern.

A. Bedingungen für die Inbetriebnahme von Behältern.

1. Der Behälter kann in Betrieb, inklusive des Versuchsbetriebs, genommen werden, wenn:
 - sein Zustand keine Gefahr für Personen und Umgebung darstellt,
 - ihre Ausrüstung und ihr Zubehör nach der Dokumentation und gültigen Normen vollständig sind, geprüft wurden und einschlägigen Anforderungen entsprechen.

B. Verfahren vor der Inbetriebnahme

2. Bevor der Behälter geschlossen wird, ist zu überprüfen, ob in seinem Inneren keine fremden Gegenstände oder Substanzen gelassen wurden.
3. Es ist zu prüfen, ob die Einstiegdeckel, Kontroll- und Prüfschächte sowie alle Flanschverbindungen des Behälters die entsprechende Anzahl an Schrauben aufweisen, ob

2. die Schrauben richtig eingesetzt sind und ob sie von richtiger Länge und mit dem richtigen Moment angezogen sind.

C. Verfahren bei der Inbetriebnahme.

4. Falls in den Vorschriften zur Inbetriebnahme der Behälter nichts anderes angegeben wird, muss sich die Steuerarmatur so öffnen, dass der Überdruck nicht mehr als 5 bar pro 1 Minute wächst und die Temperatur den für den Anlauf der Behälter bestimmten Wert nicht überschreitet, wobei plötzliche Änderungen von Druck und Temperatur wegen möglicher ungünstiger Spannungen zu vermeiden sind.
5. Bei der Inbetriebnahme des Behälters soll man ihn und sein Zubehör die ganze Zeit beobachten. Es dürfen keine Fehler am Behälter (z. B. Undichte oder Rissen) auftreten, sonst sind die Behälter sofort abzustellen.
6. Beim Erreichen des Betriebsdrucks ist die Dichtigkeit des Behälters samt Zubehör zu prüfen.

D. Betrieb von Behältern.

7. Der Behälter muss sofort abgestellt werden,
 - wenn es zur Rissbildung kommt,
 - wenn eine Undichtigkeit innerhalb von Verbindungen , die man ausbauen kann, auftritt,
 - wenn es zum Ausfall des Sicherheitszubehörs (z.B. zu Verstopfen des Sicherheitsventils), des Niveaumessers usw. kommt,
 - wenn eine direkte Gefahr eines Unfalls oder einer Störung bei weiterem Betrieb des Behälters besteht,
 - wenn bei der Arbeit des Behälters andere ungewöhnliche Erscheinungen auftreten, deren Ursache während des Betriebs nicht festzustellen oder zu beseitigen sind,
 - wenn eine Verformung an den Wänden der Druckanlage auftritt,
 - wenn die maximale Betriebstemperatur überschritten wird,
 - in allen Fällen, die in der Bedienungsanleitung für den Benutzer dafür angeführt werden.

8. Beim Transport dürfen die Behälter nicht unter Druck stehen und kein Betriebsmittel (Medium) enthalten.

8.5. Bedienung von Behältern

1. Den Behälter darf nur ein Mitarbeiter bedienen, der folgende Anforderungen erfüllt:
 - ist volljährig und zur Ausübung solcher Arbeit fähig,
 - ist mit entsprechenden Vorschriften und Richtlinien zum Betrieb der Behälter gut vertraut, wurde in der Bedienung der Behälter praktisch geschult und hat eine entsprechende durch Urkunden belegte Prüfung bestanden.

A. Pflichten beim Betrieb der Behälter

2. Der zur Bedienung von Behältern bestimmte Mitarbeiter ist verpflichtet:
 - mit allen Einrichtungen an seinem Arbeitsplatz, die zur Gewährleistung eines sicheren Betriebs dienen, vertraut zu sein und ihre Bedienung zu kennen sowie im Stande zu sein unter ungewöhnlichen Umständen angemessen eingreifen können, um die Sicherheit wiederherzustellen,
 - Jede Störung, Havarie oder ungewöhnliche Erscheinung, die beim Betrieb des Behälters oder seines Zubehörs auftritt, seinem Vorgesetzten unverzüglich zu melden und den Behälter sofort abzustellen, wenn ein Weiterbetrieb gefährlich werden kann,
 - an Revisionen und Kontrollen des Behälters teilzunehmen, damit ihm selbst der Zustand des Behälters bekannt ist,
 - im empfohlenen Umfang das Zubehör des Behälters zu kontrollieren und zu testen,
 - Betriebsberichte gemäß den Betriebsvorschriften zu erstellen,

B. Revisionen und Versuche der Behälter

3. Die Behälter sollen folgenden Revisionen und Versuchen unterzogen werden:
 - Außenrevision beim Betrieb,
 - Innenrevision,

- Dichtheitsversuch,
- Innendruckversuch,
Die Versuche sind nach den entsprechenden Vorschriften für den Gebrauch von Druckeinrichtungen im jeweiligen Land durchzuführen.

C. Revisionsprotokolle.

4. Die Ergebnisse der Revisionen und der Versuche werden in ein Revisionstagebuch, eventuell in Revisionskarten eingetragen oder es wird ein Revisionsprotokoll erstellt. Die Revisionsprotokolle müssen während der gesamten Nutzungsdauer des Behälters beim Benutzer aufbewahrt werden.

8.6. Reinigung und Wartung von Behältern.

1. Die Reinigungsweise und -technik müssen so beschaffen sein, dass bei der Reinigung die Wände des Behälters nicht beschädigt werden und keine Gefahr für die Arbeiter entsteht.
2. Der Behälter muss nicht nur von innen wegen des Betriebsmediums, sondern auch von außen gereinigt werden und mit einer entsprechenden Farbschicht versehen werden, die den Behälter vor der Einwirkung des Betriebsmediums und inneren/äußeren Einflüssen schützt.
3. Alle Arbeiten am Behälter und seinem Zubehör, darunter auch dem Sicherheitszubehör, dürfen nur entsprechend geschulte und erfahrene Arbeiter durchführen, die namentlich bestimmt wurden und die entsprechenden Vorschriften in diesem Bereich kennen.

8.7. Reparaturen von Behältern.

Am Behälter sind keine Schweißarbeiten und kein Eingriff an den mit Betriebsüberdruck belasteten Teilen erlaubt. Reparaturen und Einbau der Druckbehälter sind nur von zugelassenen Firmen/ Fachpersonal zu leisten.

Содержание

1. Техника безопасности	39
2. Комплектация и описание	40
3. Подготовка, работа и окончание работы	42
4. Работа по абразивоструйной очистке	44
5. Техническое обслуживание	46
6. Поиск и устранение неисправностей	47
7. Спецификация	49



ВНИМАНИЕ!

НЕ ПРИСТУПАЙТЕ К РАБОТЕ С ОБОРУДОВАНИЕМ, НЕ ПРОЧИТАВ ДАННОЕ РУКОВОДСТВО ПО ЭКСПЛУАТАЦИИ И ПОЛНОСТЬЮ ПОНЯВ ЕГО СОДЕРЖАНИЕ.

НИЖЕПРИВЕДЕННАЯ ИНФОРМАЦИЯ ВАЖНА ДЛЯ СОХРАНЕНИЯ ЗДОРОВЬЯ И БЕЗОПАСНОСТИ КАК ОПЕРАТОРА, ТАК И ОКРУЖАЮЩЕГО ПЕРСОНАЛА.



ВНИМАНИЕ!

ПРИ ПОКУПКЕ АППАРАТА ТРЕБУЙТЕ ПРАВИЛЬНОГО ЗАПОЛНЕНИЯ ГАРАНТИЙНОГО ТАЛОНА!

ПРИ ОТСУТСТВИИ ЗАПОЛНЕННОГО ТАЛОНА ВЫ ЛИШАЕТЕСЬ ПРАВА НА ГАРАНТИЙНЫЙ РЕМОНТ.

1. Техника безопасности.

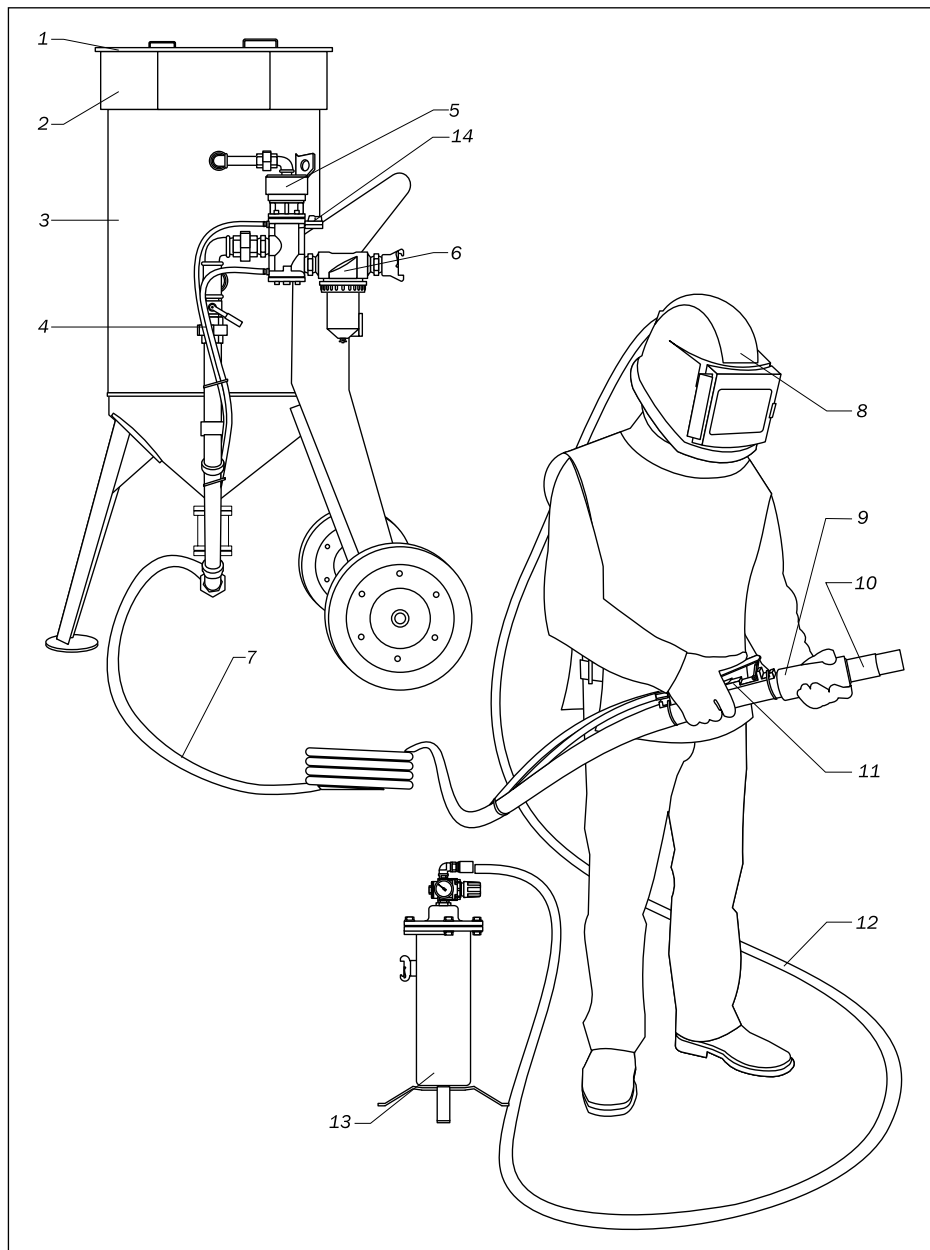


ВНИМАНИЕ!

ПРАВИЛА БЕЗОПАСНОСТИ ПРИ ВЫПОЛНЕНИИ РАБОТ ПО АБРАЗИВОСТРУЙНОЙ ОЧИСТКЕ.

1. **Обязательно используйте защитное обмундирование: шлем с принудительной подачей воздуха, фильтр очистки воздуха дыхания, защитный костюм, кожаные перчатки, спец. обувь.**
2. **Не выполняйте работы с использованием изношенного или поврежденного оборудования.**
3. **Направляйте сопло только на участок, подлежащий очистке.**
4. **Используйте только сухие и хорошо просеянные абразивы, специально предназначенные для абразивоструйной очистки.**
5. **Необходимо удалить незащищенных рабочих за пределы участка абразивоструйной очистки.**
6. **Перед абразивоструйной очисткой следует:**
 - Проверить фитинги и рукава на предмет износа;
 - Закрепить проволокой воедино байонетные сцепления;
 - Проверить подачу воздуха в шлем;
 - Проверить правильность положения герметизирующего клапана;
 - Убедиться в том, что аппарат устойчиво стоит на земле.

2. Комплектация и описание.



2.1. Комплектация.

Табл. 2.1.

Код для заказа	Модель	Описание, комплектация
10406	DBS-100RCS	Аппарат абразивоструйный, 100 л, сито, крышка, фильтр-влажномаслоотделитель CAF-1, блок дистанционного управления RCV, пульт дистанционного управления DMH, Дозатор металлического абразива SGV, сдвоенный рукав ДУ TWINLINE 20 м, набор фитингов для рукава ДУ.
10411	DBS-200RCS	Аппарат абразивоструйный, 200 л, сито, крышка, фильтр-влажномаслоотделитель CAF-1, блок дистанционного управления RCV, пульт дистанционного управления DMH, Дозатор металлического абразива SGV, сдвоенный рукав ДУ TWINLINE 20 м, набор фитингов для рукава ДУ.
10970	RCV	Блок дистанционного управления (5, рис. 2.1.)
10880	DMH	Пульт дистанционного управления (11, рис. 2.1)
12103	TWINLINE	Рукав ДУ сдвоенный, d=6 мм, бухта 40 м (4, рис. 2.1.)

◀ Рис. 2.1.

1 – крышка,
2 – сито,
3 – бак аппарата,
4 – рукав ДУ TWINLINE,
5 – блок ДУ RCV, 6 – влаго-маслоотделитель CAF-1,

7 – абразивоструйный рукав UNIFLEX,
8 – шлем оператора COMFORT,
9 – соплодержатель, 10 – сопло,
11 – пульт ДУ DMH,
12 – воздушный рукав

Breathing Air Hose,
13 – фильтр воздуха дыхания BAF-1,
14 – предохранительный шаровый кран.

3. Подготовка, работа и окончание работы.

3.1. Подготовка к работе.

Для ввода в эксплуатацию системы ДУ необходимо выполнить следующие инструкции:

1. При необходимости укоротите рукав ДУ до длины используемого пескоструйного рукава. Смонтируйте прилагаемые фитинги с рукавом ДУ.
2. Подключите рукав ДУ к пульту дистанционного управления DMH с одной стороны и линии TWINLINE пескоструйного аппарата с другой.



ВНИМАНИЕ!

НЕ ЗАТЯГИВАЙТЕ ШТУЦЕРА СЛИШКОМ ТУГО, ОСОБЕННО ШТУЦЕРА КЛАВИШИ ДУ. ЭТО МОЖЕТ ПОВРЕДИТЬ НЕКОТОРЫЕ КОМПОНЕНТЫ И ВЫЗВАТЬ УТЕЧКУ ВОЗДУХА.

3. Убедитесь в герметичности всех соединений.
4. Убедитесь в том, что муфты на блоке ДУ и пульте ДУ DMH соединены надлежащим образом, в соответствии с цветом. Перекрестное соединение приведет к созданию нерабочей системы.
5. Прикрепите пульт ДУ DMH при помощи ленточных стяжек к абразивоструйному шлангу, сразу же позади соплодержателя.
6. Рекомендуется прикрепить сдвоенный рукав Tinline к абразивоструйному шлангу ленточными стяжками через каждые 1,5 метра.



ВНИМАНИЕ!

ВСЕГДА ИСПОЛЬЗУЙТЕ ФИЛЬТР-ВЛАГОМАСЛООТДЕЛИТЕЛЬ В КОМБИНАЦИИ С СИСТЕМОЙ ДИСТАНЦИОННОГО УПРАВЛЕНИЯ ДЛЯ ЗАЩИТЫ БЛОКА ДУ ОТ ПОВЫШЕННОГО ИЗНОСА.

КРОМЕ ТОГО, ФИЛЬТР-ВЛАГОМАСЛООТДЕЛИТЕЛЬ ОПТИМИЗИРУЕТ АБРАЗИВОСТРУЙНУЮ ОЧИСТКУ.

7. Убедиться, что компрессор расположен за пределами участка абразивоструйной очистки с подветренной стороны.
8. Запустить компрессор и довести давление и температуру компрессора до рабочих.
9. Открыть шаровый кран на магистрали сжатого воздуха аппарата (ручка открытого крана должна находиться в положении, параллельном магистрали сжатого воздуха).
10. Открыть предохранительный шаровый кран 14 (рис. 2.1).
11. Закрывать дозатор SGV вращением ручки регулировки по часовой стрелке.
12. Подключить рукав сжатого воздуха к байонетному сцеплению аппарата. Диаметр рукава сжатого воздуха должен быть минимум 1.1/4". Законтрить шпонкой или проволокой байонетные сцепления между собой.
13. Подключить абразивоструйный рукав к байонетному сцеплению аппарата. Законтрить шпонкой или проволокой байонетные сцепления между собой.
14. Заполнить бак аппарата абразивом.
15. Надеть защитное обмундирование.

4. Работа по абразивоструйной очистке.

4.1. Запуск в работу.

1. Проверьте все соединения от компрессора до сопла на предмет надлежащей фиксации (плохо закрепленный воздушный шланг компрессора может вызвать серьезное повреждение).
2. Убедитесь в том, что абразивоструйный аппарат заполнен абразивом.
3. Обеспечьте выполнение надлежащих мер предосторожности для себя и окружающих:
 - наличие защитного обмундирования,
 - подача в шлем очищенного воздуха.
4. Всегда проверяйте положение рычага пульта ДУ, который должен находиться в безопасном положении - фиксатор в вертикальной позиции.
5. Подайте сжатый воздух на вход аппарата.



ВНИМАНИЕ!

МАКСИМАЛЬНОЕ РАБОЧЕЕ ДАВЛЕНИЕ АППАРАТА — 10 бар.

6. Закройте оба шаровых крана на вентиле ДУ.
7. Проверьте систему на утечку. Воздух должен выходить только из отверстия под рычагом пульта ДУ, а не из каких-либо других мест.

4.2. Работа по абразивоструйной очистке.



ВНИМАНИЕ!

ВО ВРЕМЯ ПЕРЕРЫВА В РАБОТЕ ВСЕГДА ОТКРЫВАЙТЕ ПРЕДОХРАНИТЕЛЬНЫЙ ШАРОВЫЙ КРАН 14 (рис. 2.1) НА ВЕНТИЛЕ ДУ (НАПРОТИВ СИНЕЙ МАГИСТРАЛИ СДВОЕННОГО РУКАВА TWINLINE).

РЫЧАГ ПУЛЬТА ДУ НИКОГДА НЕ ДОЛЖЕН ФИКСИРОВАТЬСЯ В ПОЛОЖЕНИИ РАБОТЫ. В ПРОТИВНОМ СЛУЧАЕ ЭТО МОЖЕТ ПРИВЕСТИ К СЕРЬЕЗНОЙ ТРАВМЕ.

1. Повернуть фиксатор на пульте ДУ и нажать рычаг (начало работы). Бак герметизируется. Из сопла выходит только сжатый воздух.
2. Регулируйте дозатор SGV с целью получения оптимальной воздушно-абразивной смеси. Общее правило: необходимо использовать как можно меньше абразива.
3. Для остановки работы следует отпустить рычаг (фиксатор автоматически перебрасывается в исходное положение).

4.3. Окончание работы по абразивоструйной очистке.

1. Удалите остатки абразива из бака. Для этого снимите сопло и направьте рукав в подходящий для отходов абразива контейнер. Поверните фиксатор на пульте ДУ и нажмите рычаг.
2. Если по окончании работ аппарат остается на улице, его необходимо накрыть полиэтиленом для предотвращения попадания влаги внутрь бака.



ВНИМАНИЕ!

ПЕРЕД НАЧАЛОМ И ПОСЛЕ ОКОНЧАНИЯ РАБОТЫ ВСЕГДА ПРОВЕРЯЙТЕ ВОЗМОЖНОЕ НАЛИЧИЕ ВОДЫ ВНУТРИ ВЕНТИЛЯ ОТКРЫТИЕМ НИЖНЕГО ШАРОВОГО КРАНА (рис. 7.1). ЕСЛИ ПРИСУТСТВУЕТ БОЛЬШОЕ КОЛИЧЕСТВО ВОДЫ, ПРОВЕРЬТЕ ФИЛЬТР САФ-3.

5. Техническое обслуживание.

5.1. Техническое обслуживание аппаратов.

Замена герметизирующего клапана.

Откройте ревизию аппарата с целью получить доступ к герметизирующему клапану. Выкрутите направляющую трубку, в которую вставлен клапан. Установите новый клапан и затем закрутите направляющую трубку в прежнее положение.

Замена кольца герметизирующего клапана.

Кольцо заменяется сверху через отверстие заполнения аппарата. Извлеките старое кольцо, вставьте новое кольцо в паз и установите его в правильное положение сильным нажатием.



ВНИМАНИЕ!

ИСПОЛЬЗУЙТЕ ТОЛЬКО ТЕ АБРАЗИВЫ, КОТОРЫЕ СПЕЦИАЛЬНО ПРЕНАЗНАЧЕНЫ ДЛ Я АБРАЗИВОСТРУЙНОЙ ОЧИСТКИ.

НИКОГДА НЕ ИСПОЛЬЗУЙТЕ НЕПРОСЕЯННЫЕ ИЛИ ВЛАЖНЫЕ АБРАЗИВЫ.

5.2. Ежедневное обслуживание.

1. Проверить вентиль управления на содержание воды. Если вода присутствует, проверить состояние фильтра CAF-3.
2. Проверить резиновую вставку пульта ДУ на надлежащее состояние. Если она плохо выглядит или изношена, замените ее.
3. Проверить состояние и надлежащее крепление всех шлангов и фитингов.

5.3. Ежемесячное обслуживание (или после каждого цикла в 160 рабочих часов).

1. Проверить состояние глушителя и его трубопровода.

2. Проверить все воздушные соединения на утечку.
3. Разобрать клапан управления с выполнением шагов пункта 5.2 и проверить все движущиеся детали. Если они выглядят изношенными, заменить, чтобы не допустить напрасного повреждения. Собрать клапан и смазать движущиеся детали машинным маслом общего применения.

6. Поиск и устранение неисправностей.

Засорение.

Если из сопла аппарата не выходит ни абразив, ни воздух, следует вначале сбросить давление и разгерметизировать аппарат, а затем проверить сопло на засорение. Если из сопла выходит только воздух без абразива, следует полностью открыть дозирующий вентиль, а затем быстро закрыть и открыть нижний шаровый кран магистрали. Если это не помогло, сбросить давление в аппарате, открыть ревизию и проверить бак на наличие посторонних предметов (камней, бумаги и т.д.).

Пульсации абразива.

При пуске аппарата пульсации абразива до определенной степени представляют собой нормальное явление. Однако если пульсации абразива продолжаются, следует стабилизировать поток абразива быстрым закрытием и открытием нижнего шарового крана магистрали. Пульсации абразива зачастую обусловлены повышенной влажностью в системе сжатого воздуха. Эта проблема может быть решена установкой дополнительного влаго-маслоотделителя.

Удаление влажного абразива.

Для удаления влажного абразива из бака аппарата необходимо отсоединить пескоструйный рукав и снять резиновый уплотнитель на байонетном сцеплении аппарата. Далее необходимо полностью открыть дозирующий вентиль и закрыть нижний шаровый кран в линии сжатого воздуха аппарата. Теперь при подаче сжатого воздуха он будет поступать только в бак аппарата и принудительно выдавливать влажный абразив.

6.1. Поиск и устранение неисправностей системы дистанционного управления.

Следующий перечень проверок может использоваться для определения проблемы в случае неправильного функционирования системы дистанционного управления:

1. Изучить инструкции в данном руководстве.
2. Осмотреть все воздушные шланги и соединения на утечки воздуха.
3. Убедиться в том, что предохранительный и сливной спускные краны закрыты.
4. Проверить пульт ДУ на утечки воздуха:
 - в не нажатом положении воздух должен выходить только из отверстия в корпусе.
 - в нажатом положении из ручки вообще не должен выходить воздух.

Проблема	Причина	Способ устранения
Воздух не выходит из отверстия в корпусе пульта ДУ.	Рукав Twinline засорен или пережат.	Снять рукав Twinline и проверить на засорение.
Вентиль управления RCV не открывается.	Предохранительный спускной кран все еще открыт.	Закреть предохранительный спускной кран.
	Недостаточная подача воздуха к абразивоструйному аппарату.	Разобрать клапан управления, все детали должны свободно перемещаться.
Вентиль управления RCV не закрывается.	Засорены каналы пульта ДУ.	Снять пульт и очистить его.
	Неправильные соединения рукава TWINLINE.	Проверить соединения и изменить, если они неправильные.
	Дефект вентиля управления.	Разобрать вентиль и проверить на надлежащую работу.

7. Спецификация

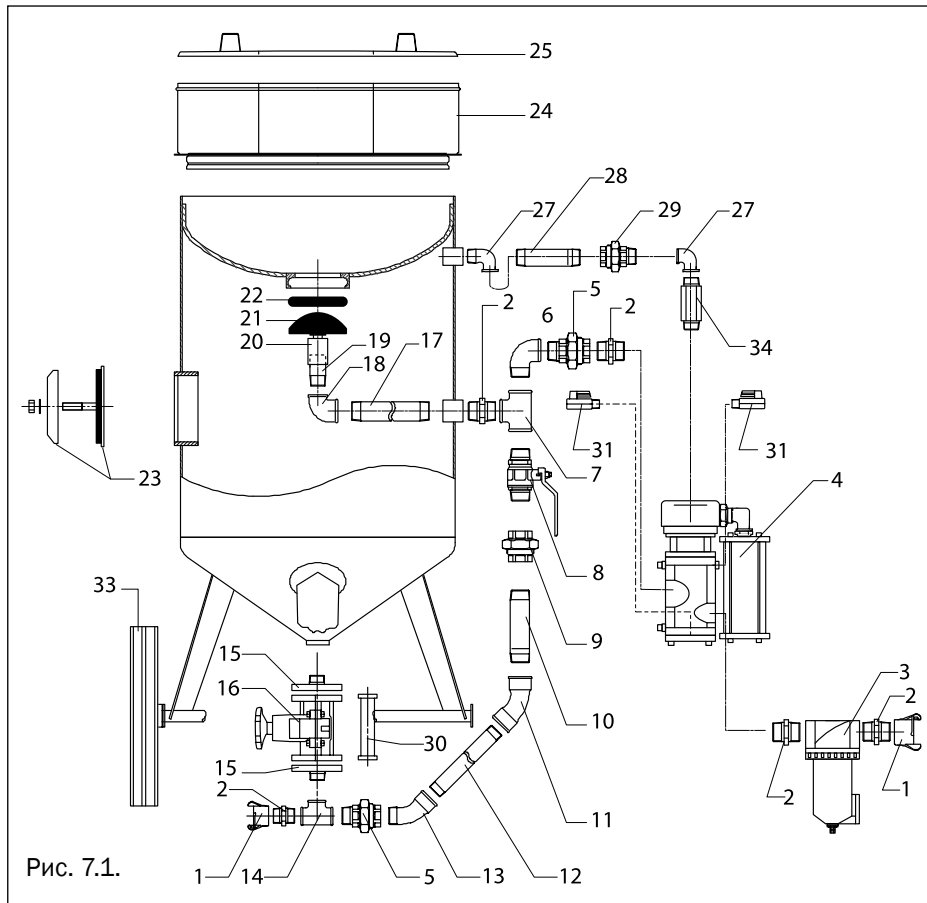


Рис. 7.1.

№ поз.	Код зак.	Описание	Количество	
			DBS-100RC	DBS-200RC
1	10900	Сцепление байонетное, CFT	2	2
2	10911	Ниппель 1 1/4" (ПП), обрезиненный	6	6
3	10930	Фильтр—влагомаслоотделитель, САФ—3	1	1
4	10970	Блок ДУ RCV	1	1
5	10915	Муфта с накидной гайкой, прямая, 1 1/4", (МП) /"американка"/	3	2
6	10909	Угольник, 90°, 1 1/4" (МП)	1	1
7	10910	Тройник, 90°, 1 1/4", (МММ)	1	1
8	10942	Кран шаровый, 1 1/4", (ПП)	1	1
9	10913	Муфта с накидной гайкой, прямая, 1 1/4", (ММ) /"американка"/	1	1

10	10992	Труба 1 1/4", (ПП) 190 мм для DBS-100RCS / DBS-200RCS	1	–
	10991	Труба 1 1/4", (ПП) 420 мм для DBS-200RCS	–	1
11	10916	Угольник, 45°, 1 1/4" (ММ)	1	1
12	10992	Труба 1 1/4", (ПП) 190 мм для DBS-100RCS / DBS-200RCS	1	1
13	10919	Угольник, 45°, 1 1/4" (МП)	1	1
14	10948	Тройник, 90°, 1 1/4", обрезиненный	1	1
15	10949	Фланец резьбовой 1 1/4" для SGV	1	1
16	10946	Дозатор металлического абразива SGV	1	1
17	10994	Труба 1", (ПП) 190 мм для DBS-100	1	–
	10952	Труба 1", (ПП) 260 мм для DBS-200	–	1
18	10953	Угольник 90°, 1", (ММ)	1	1
19	10993	Труба 1", (П) 165 мм для DBS-100	1	–
	10954	Труба 1", (П) 190 мм для DBS-200	–	1
20	10955	Направляющая	1	1
21	10960	Клапан герметизирующий	1	1
22	10950	Седло герметизирующего клапана	1	1
23	10932	Сервисный узел бака DBS, комплект	1	1
24	10935	Сито	1	–
	10936	Сито	–	1
25	10933	Крышка бака	1	–
	10934	Крышка бака	–	1
27	10956	Угольник, 90°, 3/4" (ПМ)	2	2
28	10958	Труба 3/4"	1	1
29	10957	Муфта с накидной гайкой, прямая, 3/4" (ММ) /"американка"/	1	1
30	10947	Резиновая трубка для SGV	1	1
31	10828	Кран шаровый ДУ, 1/4"	2	2
33	10922	Колесо	2	–
	10923	Колесо	–	2
34	10830	Штуцер шестигранный для DBS-100 RC/RCS	1	–
	10844	Штуцер шестигранный для DBS-200 RC/RCS	–	1

