

ESC 3

EXIT LIGHT WITH 70 M AND 120 M VIEWING DISTANCES,
WALL MOUNTING AS STANDARD

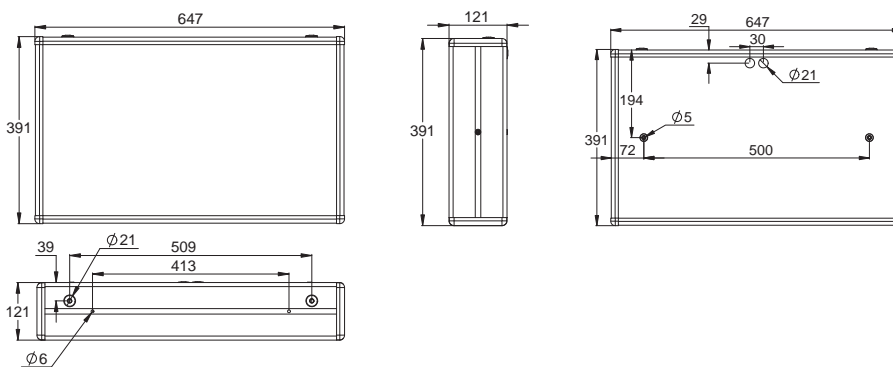


The stylish aluminium profile bodied ESC 3 is particularly suitable for large areas, which require a long viewing distance. The luminaire is suitable for wall, as well as for ceiling suspended installation. Wall mounting comes as standard.

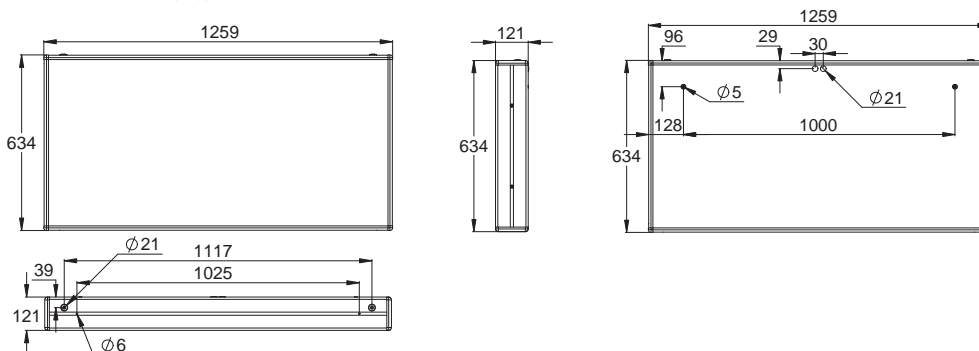
Certain models can be used as 1 sided as well as 2 sided. ESC 3 uses fluorescent tubes as its light source.

TW397xx luminaire's IP class is 44, and TW494xx luminaire's IP class is 20.

TWT397XX



TWT494XX



= Protection class of luminaire is 1 | = Protection rating | **Aalto** = Aalto Control compatible (incl. Lumi Test) | = compliant with the 850 glow wire test
 = Protection class of luminaire is 2 | = Colour of the body | **M** = Self-contained luminaire with Lumi test self-testing | **IC** = Compatible with Intelligent Controller
 = Protection class of luminaire is 3 | = Viewing distance | **Escap** = Self-contained luminaire with 1 h super capacitor backup | **CBS** = Centrally supplied
 = Luminaire is suitable for through-wiring | = LED as a light source | **C** = Compatible with Tapsa Control Central Battery Unit and Local Controller

CENTRALLY SUPPLIED LUMINAIRES

24 V CENTRALLY SUPPLIED EXIT LIGHTS

Product code	Viewing distance	Nominal supply voltage	Max input power	Light Source	Operation mode	Temperature range	Electrical installation	Weight (kg)
TW39722	< 70 m	24 V 50/60 Hz AC,DC	26 VA / 18 W	18 W G13	CBS	-10... +50°C	2 x 2,5 mm ² -o-	4,6
TW39723*)	< 70 m	24 V 50/60 Hz AC,DC	26 VA / 18 W	18 W G13	CBS	-10... +50°C	2 x 2,5 mm ² -o-	4,6
TW49422	< 120 m	24 V 50/60 Hz AC,DC	41 VA / 37 W	36 W G13	CBS	-10... +50°C	2 x 2,5 mm ² -o-	9,8
TW49423*)	< 120 m	24 V 50/60 Hz AC,DC	41 VA / 37 W	36 W G13	CBS	-10... +50°C	2 x 2,5 mm ² -o-	9,8

*) This luminaire can be used as double sided. The rest of the models can only be used as single sided.

230V CENTRALLY SUPPLIED EXIT LIGHTS

Product code	Viewing distance	Nominal supply voltage	Max input power	Light Source	Operation mode	Temperature range	Electrical installation	Weight (kg)
TW39781	< 70 m	220-240 V, 50/60 Hz AC,DC	22 VA / 18 W	18 W G13	CBS	-10... +50°C	3 x 2,5 mm ² -o-	4,6
TW39782*)	< 70 m	220-240 V, 50/60 Hz AC,DC	22 VA / 18 W	18 W G13	CBS	-10... +50°C	3 x 2,5 mm ² -o-	4,6
TW49481	< 120 m	220-240 V, 50/60 Hz AC,DC	38 VA / 32 W	36 W G13	CBS	-10... +50°C	3 x 2,5 mm ² -o-	9,8
TW49482*)	< 120 m	220-240 V, 50/60 Hz AC,DC	38 VA / 32 W	36 W G13	CBS	-10... +50°C	3 x 2,5 mm ² -o-	9,8

*) This luminaire can be used as double sided. The rest of the models can only be used as single sided.

ADDRESSABLE 230 V CENTRALLY SUPPLIED EXIT LIGHTS









Product code	Viewing distance	Nominal supply voltage	Max input power	Light Source	Operation mode	Temperature range	Electrical installation	Weight (kg)
TW39781K	< 70 m	220-240 V, 50/60 Hz AC,DC	23 VA / 19 W	18 W G13	CBS / C	-10... +50°C	3 x 2,5 mm ² -o-	4,6
TW39782K*)	< 70 m	220-240 V, 50/60 Hz AC,DC	23 VA / 19 W	18 W G13	CBS / C	-10... +50°C	3 x 2,5 mm ² -o-	4,6
TW49481K	< 120 m	220-240 V, 50/60 Hz AC,DC	38 VA / 32 W	36 W G13	CBS / C	-10... +50°C	3 x 2,5 mm ² -o-	9,8
TW49482K*)	< 120 m	220-240 V, 50/60 Hz AC,DC	38 VA / 32 W	36 W G13	CBS / C	-10... +50°C	3 x 2,5 mm ² -o-	9,8

*) Light can be used as double sided. The rest of the models can only be used as single sided.



SEPARATELY ORDERED PICTOGRAMS

Product code	Viewing distance	Pictogram	Product description	For light
PB3973E	< 70 m		Down arrow	TW397xx
PB3972E	< 70 m		Right arrow	TW397xx
PB3971E	< 70 m		Left arrow	TW397xx
PB4943E	< 120 m		Down arrow	TW494xx
PB4942E	< 120 m		Right arrow	TW494xx
PB4941E	< 120 m		Left arrow	TW494xx

Pictograms in the table are 1-sided