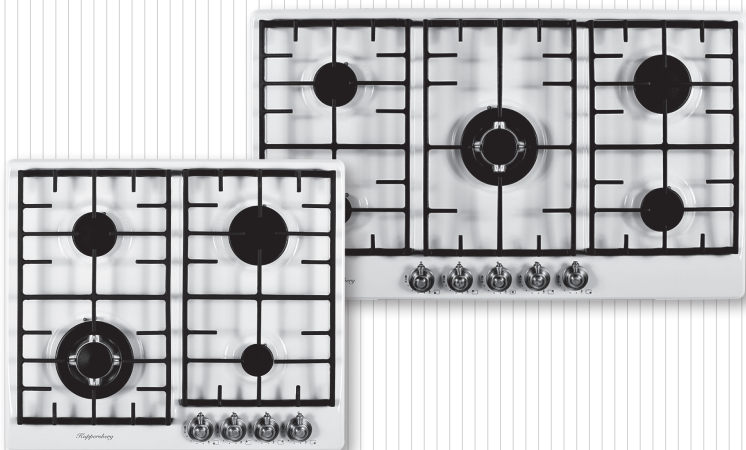


TECHNICAL PASSPORT

ПАСПОРТ ТЕХНИЧЕСКОГО ИЗДЕЛИЯ



FV6TGRZ, FV9TGRZ

GAS HOV

ГАЗОВЫЕ ВАРОЧНЫЕ ПОВЕРХНОСТИ

**KUPPERSBERG**



## CONTENTS

1. APPEAL TO THE CUSTOMER.....	3
2. CHILDREN'S SAFETY.....	3
3. IMPORTANT SAFETY INSTRUCTION.....	3
4. ENVIRONMENTAL PROTECTION.....	5
5. BEFORE USING YOUR APPLIANCE FOR THE FIRST TIME.....	6
6. MAINTENANCE AND INSTALLATION MANUAL.....	7
6.1. SAFETY INSTALLATION.....	7
6.2. INSTALLING THE APPLIANCE.....	8
6.3. ELECTRICAL CONNECTION.....	9
6.4. GAS CONNECTION.....	10
6.5. ADJUSTMENT OF HOB PER GAS TYPES.....	11
6.6. STARTING THE APPLIANCE.....	11
7. CONTROLLER TYPES AND USE.....	12
7.1. CONTROL PANEL.....	12
7.2. BASIC SETTINGS.....	13
7.2.1. FOR GAS BURNERS.....	13
8. MAINTENANCE AND CLEANING.....	15
9. TROUBLESHOOTING.....	17



## 1. APPEAL TO THE CUSTOMER

### Our Valued Customer,

Thank you for your purchase of our product.

Please read all instructions and warnings in this manual carefully. This manual includes the important information about safe installation, usage and maintenance and the required warnings for your utilization of your equipment.

Please keep this manual at a safe and easily accessible place to be used as future reference.

The Producer may not be held liable for the losses to human, environment or other materials arisen from the faulty use of the equipment.



## 2. CHILDREN'S SAFETY

➤ The exposed parts of the product shall be heated during and after the use; the children should be kept away.

➤ Do not place any object on the unit that the children may reach.

➤ Packaging materials may be dangerous for children. Keep the packaging materials in a place that the children may not reach or classify and recycle them as per the waste instructions.

➤ If constant supervision may not be provided the children under age 8 shall be kept away of the unit.

➤ This unit may be used by children over 8 years old and the persons with lack of physical, hearing or mental abilities or lack of experience and information, subject to guidance and supervision or utilization of the unit safely and recognition of the dangers.

➤ Children should not play with the unit.

➤ Cleaning and maintenance of the unit should not be conducted by the children without supervision.



## 3. IMPORTANT SAFETY INSTRUCTION

This device is produced for domestic use. Our firm is not liable for any losses or damages which may occur due to wrong or faulty installation.

Although this is a simple use product, we recommend you to read this manual carefully. In this sense, you may get best performance from your device and protect yourself and your surrounding from the possible dangers.

Please consider the following warnings in order to minimize the risks which may be experienced by you in utilization of the devices such as electric shock, circumstances which may cause losses/ damages to people.

➤ Device is set to 220 -240 volt.

➤ **WARNING:** The equipment and its accessible parts are hot during use.

## Gas hob

➔ Best care should be used to avoid contacting with the heating elements.

➔ **WARNING:** Cooking with vegetable oil or fat without required care may be dangerous and may cause fire.

➔ Do not attempt to extinguish any fire with water, the circuit of the equipment is closed and then the flame is covered with a cover or flame blanket.

➔ **WARNING:** Fire Danger: Do not store materials on cooking surface.

➔ The accessible parts may be hot during utilization.

➔ Do not ever clean your hob by using steam cleaners.

➔ Do not use the unit in circumstances affecting your judgment such as being drunk or drugged.

➔ Since your device has grounding plug your wall socket should also be grounding type.

➔ Use utmost care to prevent your device's electrical cable through hot areas.

➔ Use care that the gas hose will be regulations in law institute stamped, not be laid through hot areas, and it should be checked with soap bubble whether any gas leakage exists.

➔ Use clamp to tighten the gas hose after connecting it to the head of the hose. Control whether there is any gas leakage exists by using soap bubble.

➔ Note that the LPG hoods should have regulations in law institute stamp

and 300 mmSS (29,4 mbar) of outlet pressure.

➔ Natural gas pressure is 200 mmSS (19,6 mbar). Please consult the authorized service for conversion to natural gas or LPG.

➔ Note: Usage of the gas baking products shall cause heat and steam formation at the places of existence. Be sure that your kitchen is ventilated well. Keep the natural ventilation outlets open or install a mechanical ventilation product (hood, aspirator).

**NOTE:**

Burners burning of setting can be done between large and between.

**GENERAL SAFETY WARNINGS**

➔ Since this unit was produced for domestic use, it is not suitable for commercial and industrial use. It is dangerous and inappropriate to use it for any other purpose (e.g. heating a room).

➔ Do not allow laying of the gas hose and electric cord from the heated part of the unit.

➔ Keep any flaming, explosive and ignition materials from your device.

➔ Do not change the place of your device when working and/ or it is hot.

➔ When you do not use your hob, close the feeding valve after making all switches to "OFF" position.

↻ Do not let your hob in operation without supervision control it with frequently.



↻ Take out the plug from the wall socket during handling, cleaning or maintenance of the unit.

↻ Do not ever attempt to remove the cable from the wall socket by handling the cable.

↻ Do not use pans transferring the excessive heat to the glass.

↻ Place the pan right in the middle of the burner.

↻ Keep the pan on the hob carefully and avoid dropping it.

↻ The shapes in this guide are schematic and may not be exact match of your product. The values stated on the marking on the unit or other printed documents given with the unit are the values obtained at the laboratory pursuant to the applicable standards. Such values may be changed as per the usage and environment conditions of the unit.

↻ Do not heat the closed cans and glass jars. The pressure which may occur in such containers may cause explosion.

↻ Since the edges of the product will be hot do not place explosive or combustibles near the unit.

↻ Do not place the empty pans and containers on the operating hob eyes. The glass surface may be damaged.

↻ No plastic and aluminum container is allowed over the unit since it might be hot.

#### 4. ENVIRONMENTAL PROTECTION

This device is subject to 2002/96/EC WEEE (Waste Electric and Electronic Equipment) as per the applicable directives of Europe. Before disposal of the device, you need to prevent negative results to human and environment. Otherwise it would be incompliant waste. This symbol indicates that the unit should not be disposed as domestic waste rather it should be returned to some electronic wastes collection center. The disposal of the product should be conducted as per the local environmental legislation. You may obtain detail information on disposal, reuse and recycling of the product.

**It is suitable with the applicable regulations of WEEE.**



## Gas hob

This symbol indicates that the unit should not be disposed as domestic waste rather it should be returned to some electronic wastes collection center. The disposal of the product should be conducted as per the local environmental legislation. You may obtain detail information on disposal, reuse and recycling of the product.

➤ Keep the original packaging of the product.

➤ Carry the product in its original packaging, and abide the markings thereon.

➤ If the original packaging is not available;

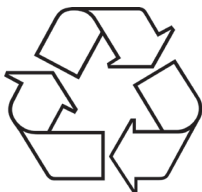
⇒ Take care for the impacts which may be applied on the outer surfaces of the product.

⇒ Place/ hold the product in parallel to the ground during carrying (as the upper side will be up).

⇒ Carry the pan holders not touching each other.

### Packaging

All packaging materials are recyclable. In order to contribute environmental protection place the packaging material wastes to the recycling bins.



### Disposal of the old equipments

The equipments being old and useless should not be thrown to a waste container directly. There may be some parts allowing re-use. Also there may be some environmentally dangerous materials requiring to be given to a collection center. Therefore you should take your unit to a collection center that you may learn from the manufacturer/ dealer in your city and insure that the electronic parts will be recycled.

It is important to keep the user's manual for it will be important in the event of change of the user of the device.

Before disposal or scraping of the device it is required to prevent harmful and negative effects on human and environment. Otherwise it would be incompliant waste.



### 5. BEFORE USING YOUR APPLIANCE FOR THE FIRST TIME

➤ Make sure that you remove all packaging materials before using the unit.

➤ When you remove the hob from the package make sure that hob and / or the cable is full and undamaged, and no impact was put at the bottom

of the device, otherwise consult your seller.

➔ Any and all works on the gas equipments and systems should be conducted by the competent and authorized persons.

➔ Gas hobs cause heat and steam formation at the environments in which they are used.

➔ Make sure that your kitchen ventilated well. Keep the natural ventilation channels open or use ventilation product (hood).

➔ Have the required maintenance of the gas products by the competent and authorized persons.

➔ Clean the gas burners regularly.

➔ Request the telephone numbers from the local gas suppliers for emergency cases.

### **Things to be done when gas smells**

➔ Do not use flame. Do not smoke. Do not operate the switch of any electrical device. Do not use fixed or mobile phone.

➔ Close all valves on the gas products and gas counters.

➔ Open the doors and windows.

➔ Go out of the house if you smell gas still.

➔ Warn the neighbors.

➔ Call the fire service. Use a phone outside the home.

➔ Do not enter the house until you will be notified that it is safe.



## **6. MAINTENANCE AND INSTALLATION MANUAL**

### **6.1. SAFETY INSTALLATION**

The installation should be conducted by an authorized service dealer as per the installation instructions. Our firm may not be held liable for any losses and damages to human, animals or objects due to any inappropriate use of the unit.

#### **PRE-INSTALLATION WARNINGS**

**ATTENTION:** Before the installation check that the gas type and gas pressure stated under the product fit those of your home. Call the authorized service dealer for possible gas type changes in future.

➔ When the unit was taken off its packaging make sure that it is strong, not bent and has no fault at all. In the event of any doubt consult the dealer.

➔ Cut off the electric connection of the unit from the main switch during installation.

➔ In order that built in cook-tops will operate smoothly the measurements of the counter on which it will be mounted and the materials

## Gas hob

used for installation should be proper, and the counter should be resistant against heat.

### Read the following instructions to fix the hob on the counter:

In order to prevent insertion of the foreign materials and liquids between the hob and the counter, attach the adhesive band on the counter hole without allowing any overlapping before the installation.

Place the hob on the counter hole to center the installation hole.

Secure the unit on the counter by using the installation sheet and screws.

Please review the following figures carefully so that the hob will be installed properly.

## 6.2. INSTALLING THE APPLIANCE

Check that the appliance is in a good condition after having removed the outer packaging and internal wrappings from around the various loose parts.

In case of doubt, do not use the appliance and contact qualified personnel.

Never leave the packaging materials (cardboard, bags, polystyrene foam, nails, etc.) within children's reach since they could become potential sources of danger.

The measurements of the opening made in the top of the modular cabinet

and into which the hot plate will be installed are indicated in either (fig. 1.)

Always comply with the measurements given for the hole into which the appliance will be recessed.

The hot plate has a special seal which prevents liquid from infiltrating into the cabinet. Strictly comply with the following instructions in order to correctly apply this seal:

➤ Take off all the movable parts of the hob.

➤ Cut the seal in 4 parts of the necessary length to position it on the 4 edges of the crystal.

➤ Overturn the hot plate and correctly position seal «E» (fig. 2) under the edge of the hob itself, so that the outer side of the seal perfectly matches the outer perimetral edge of the hob. The ends of the strips must fit together without overlapping.

➤ Evenly and securely fix the seal to the hob

➤ Fit the hot plate into the hole in the cabinet and lock it in place with the relative screws of the fixing hooks (see fig 3 )

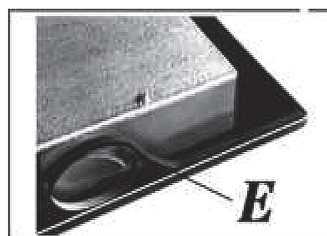


FIG. 2





FIG. 3

### 6.3. ELECTRICAL CONNECTION

The electrical connections of the appliance must be carried out in compliance with the provisions and standards in force.

➔ Before connecting the appliance, check that the socket or system has an efficient earth connection in compliance with the provisions and standards in force. The manufacturer declines all responsibility for failing to comply with these provisions. When the appliance is connected to the electricity main by a socket:

➔ Fit a standard plug suited to the load indicated on the data label to the cable.

➔ Fit the wires following figure 4, taking care of respecting the following correspondences:

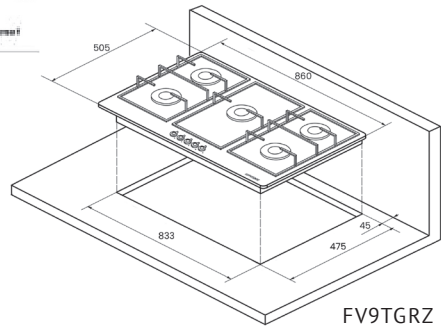
Letter L (live) = brown wire;

Letter N (neutral) = blue wire;

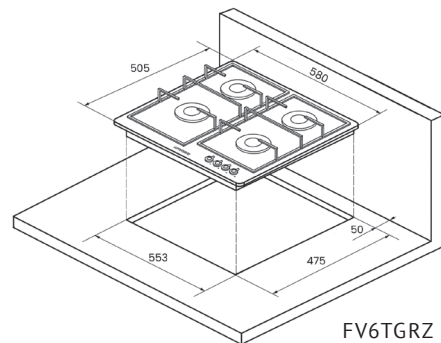
Earth symbol  $\oplus$  = green - yellow wire.

➔ The power supply cable must be positioned so that no part of it is able to reach an overtemperature of 65 °C.

➔ Never use reductions, adapters of shunts for connection since these could create false contacts and lead to dangerous overheating. When the



FV9TGRZ



FV6TGRZ

FIG. 1

appliance is connected straight to the electricity main:

➔ Install an omnipolar circuit-breaker between the appliance and the electricity main. This circuit-breaker should be sized according to the load rating of the appliance and possess a minimum 3 mm gap between its contacts.

## Gas hob

➤ Remember that the earth wire must not be interrupted by the circuit-breaker.

➤ Alternatively, the electrical connection may also be protected by a high sensitivity differential circuit breaker.

➤ You are strongly advised to fix the relative yellow-green earth wire to an efficient earthing system.

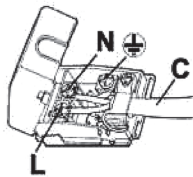


FIG. 4

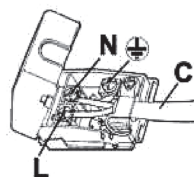


FIG. 5

## 6.4. GAS CONNECTION

These instructions are prepared for specialist personnel having **required competence, the installation of the equipment** should be suitable as per the applicable standards.

All gas related works should be conducted when the electric connection was cut.

The value plate on the hob indicates the gas type intended to be used for use with the hob. Connection to the main gas course or gas type shall be realized after controlling the adjustment as per the gas type. Connection to the main gas source or gas cylinder shall be conducted after checking the adjustment according to the proper gas type. If it is set properly look at the following paragraphs:

Note that the LPG hoods should have standarts stamp and 300 mmSS (29,4 mbar) of outlet pressure.

Natural gas pressure is 200 mmSS (19,6 mbar). Please consult the authorized service for conversion to natural gas or LPG.

Use only piping, gaskets or stamp as per the applicable national standards.

In some countries where conic connections are obligatory, conic connection is provided. In such a case the conic connection part should be connected to the unit.

If the unit will be connected to a flexible hose, the length of the hose shall not exceed 120 cm.

Before starting works related to gas installation, please cut the gas supply.

Make the connection so that no pressure will be applied on the connection records and piping. Make sure that the pipe will not cause any clogging or contact with the sharp corners.

Note that the gas hose will not be laid through hot areas.

**NOTE: Replace the gas hose of your hob at 4 to 5 years even if it will be undamaged.**

**NOTE: Check whether any gas leakage after the connection with soap and water. Do not ever use flame.**

Make sure that no additional weight to be applied on the gas hose.

And apply the following order for installation:

1. In the order; male adaptor cylindrical, gasket, female gas adaptor,

conical-cylindrical or cylindrical cylindrical components,

2. Tighten connection place with the keys so that the pipes will be in proper position,

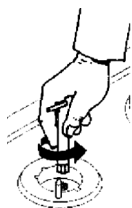
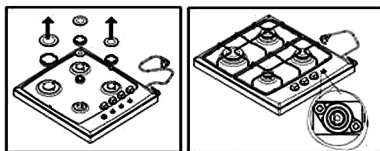
3. Attach C coupling to the main gas source by using hard copper pipe or flexible steel pipe.

**WARNING; Final Check whether any leakage exists at the pipes with a solution with a soap, and do not ever use flame.**

### 6.5. ADJUSTMENT OF HOB PER GAS TYPES

These instructions are prepared for specialist personnel having required competence, the installation of the equipment should be suitable as per the applicable standards.

➡ All gas related works should be conducted when the electric connection was cut.



In order to convert the hob, remove the burner plates and flame circles thereon. Replace the injectors as per the followings, and change them with the injectors with suitable diameters

defined in the user's manual. Conduct the works with a plain tip screwdriver at a position to see valve setting screw by removing the switches of the hob and rubber seals. In order to set the low flame level, turn the gas setting screw on the valve to have minimum gas setting flow. Do this setting after installing the burner component of the burner, burning the burner and bringing the switch setting to minimum.

Flow setting screw should be tightened in LPG conversions as it should be released for conversion from LPG to natural gas.

After realization of the hob, complete the conversion transaction by connecting the rubber seals and switched in the same order.

These instructions should be used by an authorized service. The products should be installed as per the regulations in force and in proper manner. Before conducting any transaction the electrical connections of the hob should be cut by no means.

The type label on the hob indicates the gas type planned to be used with the unit.

### 6.6. STARTING THE APPLIANCE

#### FIRING OF BURNER

If your hob does not have built in lighter or during black out place the naked flame over the burner and push the switch to bring it to the desired position with counter-clockwise movement. **Gas adjustment should be between maximum and minimum**

Gas hob

levels, it should not be realized between maximum and off positions. To close the burner turn the switch clockwise till to reach "off" position.



**7. CONTROLLER TYPES AND USE**

**7.1. CONTROL PANEL**

**MODELS EQUIPPED WITH LIGHTER SWITCH (Automatic ignition)**

In order to burn one of the burners, press the switch down and bring the switch to maximum position. When it burns, flame is adjusted to the desired intensity with the switch.

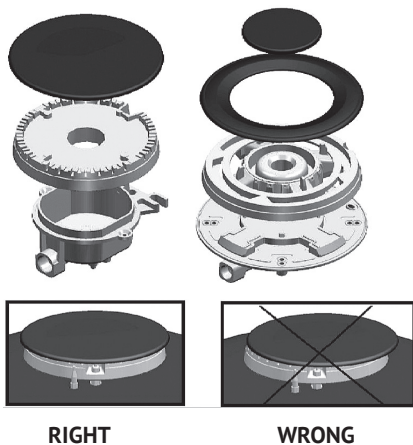
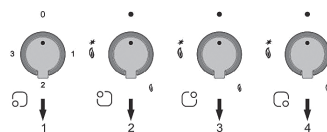


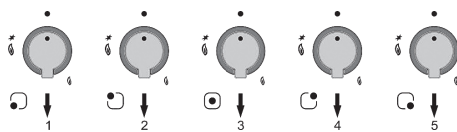
Figure 6.

➔ In order that the hob will operate properly the grills and burner components should be properly positioned.(Figure 6)

➔ Make sure that the flame of your burner is in blue color and work quietly. If the burner will burn in yellow color or work with voice make sure that all burners fit properly. If the flame color does not change to blue color then apply the authorized service.



1. Left front burner control switch
2. Left rear burner control switch
3. Right rear hot-plate control switch
4. Right front burner control switch



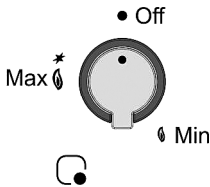
1. Left front burner control switch
2. Left rear burner control switch
3. Middle burner control switch
4. Right rear burner control switch
5. Right front burner control switch

## 7.2. BASIC SETTINGS

### 7.2.1. FOR GAS BURNERS

Operation of the burners and power levels

Turn the control switch left-wise until reaching to maximum level. When you press the control switch all burning igniters will have flame to burn. Release the switch in few seconds after burning of the burner, and bring the control switch to the desired flame position between the maximum and minimum levels.



If the flame is gone when you release the switch You should repeat the above process. But this time press the switch and hold for about 10 seconds.

**WARNING: Do not use burning system more than 15 seconds. If the burner will not be burned within such time or if the flame will be cut for any reason whatsoever, repeat burning process after waiting for 1 minute.**

### Closing the burners

Turn the control switch right-wise to close the hob.

### Flame Failure Device (FFD)

All burners on your hob are equipped with Flame Failure Device system against flame extinguishing risk (water flow, wind etc.) When the flame was gone while the burner switch is open such system will prevent cutting of the gas supplied to the burner. If the burning of the burner will be cut due to safety, repeat the burning operation by switching the burner switch to off position.

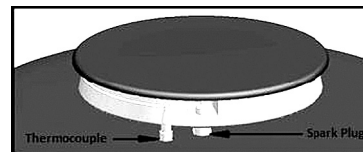


Figure 8.

### Using Right Burner

➤ The pan diameter and the burner power should match in order to efficiently use it. The diameters proper for each burner are given in the table.

➤ Select the proper pan diameter and volume in order to define the proper burner.

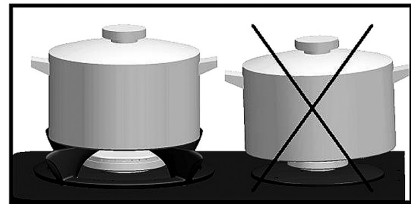
Gas hob

**Usage of grills and recommendations**

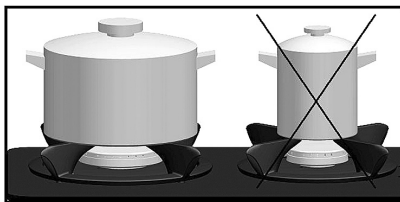
The pan grills on the hob are designed for safe use of the hob. Please make sure that the grills are placed properly and lastic legs fit well.

➤ Do not use pans with the deformed soles which may cause instability on the grills.

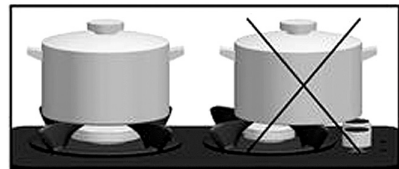
➤ Use pans with proper diameters. Do not use smaller pans in the diameter of the burner. When small pans are used it may cause overflowing and reduced the efficiency of the hob.



➤ Place the cooking pan on the burner evenly. The containers placed on the burner inappropriately may be tipped. Do not place the large containers at the side of the switch switches may be damaged. Do not place the pans on the grills hardly.

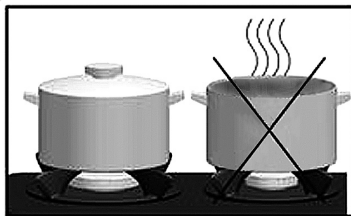


➤ Do not cook with pans without lid or semi closed pans to avoid energy loss.



➤ Pay attention that the burner place will not have any impact. And do no place heavy objects on the tray.

➤ Do not heat the pans as empty. The pan sole may be deformed. The heat on the sole may damage the burner table surface.



➤ Do not place the containers directly on the burner covers use grill always.

➤ The cold liquids should not be thrown on the glass surface or burners when the surface is hot.

➤ Do not place sharp objects on the hob.

➤ Do not use pans transferring the excessive heat to the bottom surface directly.

➔ In the event of any fire do not attempt to extinguish the flames with water. Close the electric circuit of the hob and use a material to cut the flame like flame blanket.

➔ This device should not be operated with a timer or a remote control.

➔ Use flat sole pans on the hob. In this manner, thermal energy shall be used to the maximum.

➔ It is recommended not to use concave pans.

➔ Use dry sole pans on the burner. Do not place the cover of the pan and especially the wet ones on the burner.

➔ Use a wet cloth to wipe the hob. However, if it becomes dirty, use water with detergent to insure drying, apply lubrication oil over it for formation of thin oil substrate.

➔ If the surface of the plates worn a few drops of oil or maintenance products available in the market may be used.

➔ It is recommended to set maximum level at the beginning of cooking process and to use intervals and burning levels as per the characteristic and quantity of the foods to be cooked.

### Warning

➔ Do not leave the equipment unattended since the heat of burners is very high, and make sure that it will not be operated by children.

➔ Pay attention for combustion risk in the event of cooking with vegetable oil and fats.

➔ Do not approach the hob with combustible and explosives.



## 8. MAINTENANCE AND CLEANING

Please comply with the following rules before cleaning and maintenance.

➔ Close the unit for safety purposes. If your device is set to natural gas setting close the valve. For LPG hobs close hood.

➔ Take out the plug of your unit from wall socket.

➔ If the hob is hot wait until it will be cooled.

➔ In order that you use the glass hob and grills for longer periods you need to clean them with appropriate cleaning agents at certain intervals.

➔ Cleaning on stainless surfaces should be conducted in accordance with the steel surfaces, and the surface should be dried preferably with a soft leather part.

➔ In order to avoid any damage to the burning system do not use burning system when the burners are not installed.

➔ After the thermo-coupled cleaning providing plug and safety system, clean it to place burners in suitable manner.

➔ Wash the upper burning heads at certain intervals with water and clean and dry the gas channels with brush. Pay attention to install the burning heads on their places.

## Gas hob

➤ When you clean the burner do not use acid, thinner, benzene or similar chemical.

➤ You need to clean your glass hob and its grills with suitable cleaning agents in order to use it for longer period.

➤ It should be cleaned with suitable cleaners for stains and oil.

➤ Harsh cleaning agents, stain removers and detergents, wire wool and sponge should not be used.

➤ No cold liquid should be poured on the glass surface or the burners when they are hot. The glass may crack due to thermal shock.

Clean the hob regularly after waiting for cooling after each use in order to keep your hob at the best manner.

Do not take out the control switches in any manner during cleaning.

### Enamel Parts

All enamel parts are used by using water with soap and suitable detergents. The hob should be dried thoroughly after the process.

### Pan Supports

Grills may be washed in the dishwasher.

### Burner

The burners consisting of two parts may be leaned by using detergent.

The burners should be dried after cleaning process and placed their places delicately.

In the electronic ignition models, the electrode should be left cleaned all the time.

In the safety valve models, the valve should be cleaned for failsafe operation.

After completion of the process, the burners should be placed in their placement to their places.

The burning system should not be used when burners are not in their places to avoid damage to electronic ignition system.



## 9. TROUBLESHOOTING

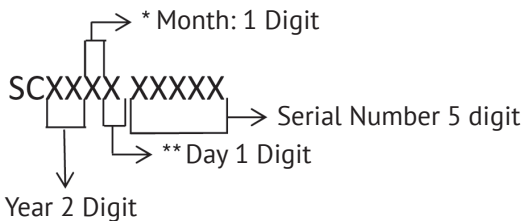
Faults may be solved easily sometimes. Before calling the technical service, read the following chart.

FAULT	POSSIBLE REASON	SOLUTION
Electrical parts do not work	Fuse may have been blown	Check the fuse box in home.
Gas does not appear	Valve may be off. Gas in tube may ran out.	Turn on the valves. Change the gas tube.
Lighter does not work	Burner parts may be wet. Burner cover may not be fitted correctly. Ignition plug may be stained.	Dry the burner parts. Fit the burner cover correctly. Clean the ignition plug.
Flame does not spread equally	Burner parts may be wet. Burner cover may not be fitted correctly. Burner lines may be blocked.	Dry the burner parts. Fit the burner cover correctly. Clean the burner lines.
Flame dies down at first ignition	The button may not be pushed correctly. Burner lines may be blocked.	Hold down the button for a few seconds after flames appear.
Gas smell	There may be a gas leak in the gas tube connector.	Check the gas tube connector.



Gas hob

**SERIAL NUMBER CHART:**



\* After the numbers continues with letters. (October: A, November: B, December: C)

\*\* After the numbers continues with letters.(See the table below.)

Day	Symbol	Day	Symbol	Day	Symbol	Day	Symbol
1	1	10	A	19	K	28	U
2	2	11	B	20	L	29	V
3	3	12	C	21	M	30	W
4	4	13	D	22	N	31	X
5	5	14	E	23	P		
6	6	15	F	24	Q		
7	7	16	G	25	R		
8	8	17	H	26	S		
9	9	18	J	27	T		

**Manufacturers:**

Teka Industrial, S.A.  
Ctra. Madrid km. 316 a ZARAGOZA 50012 SPAIN

SI.ME.CO. ISI EKIPMANLARI VE KALIP SANAYI A.S.  
Aegean Free Zone; Akcay Cad. No: 144/1 35410 Gaziemir - Izmir/TURKEY

**Importers:**

LLC «MG Rusland», 141400  
Moscow region, Khimki, Butakovo, 4

LLC «Kuppersberg-Import», 125438  
Moscow, Avtomotornaya, 7

Made in EU





**СОДЕРЖАНИЕ**

1. ОБРАЩЕНИЕ К ПОКУПАТЕЛЯМ.....	21
2. ОБЕСПЕЧЕНИЕ БЕЗОПАСНОСТИ ДЕТЕЙ.....	21
3. ОСНОВНЫЕ ТРЕБОВАНИЯ БЕЗОПАСНОСТИ.....	21
4. ЗАЩИТА ОКРУЖАЮЩЕЙ СРЕДЫ.....	24
5. ПЕРЕД ПЕРВЫМ ИСПОЛЬЗОВАНИЕМ ПРИБОРА.....	25
6. ИНСТРУКЦИЯ ПО УСТАНОВКЕ И ТЕХНИЧЕСКОМУ ОБСЛУЖИВАНИЮ .....	26
6.1. БЕЗОПАСНОСТЬ УСТАНОВКИ.....	26
6.2. УСТАНОВКА ПРИБОРА.....	27
6.3. ПОДКЛЮЧЕНИЕ К СЕТИ ЭЛЕКТРОПИТАНИЯ .....	28
6.4. ПОДКЛЮЧЕНИЕ К ГАЗОВОЙ СЕТИ .....	29
6.5. НАСТРОЙКА ВАРОЧНОЙ ПАНЕЛИ В ЗАВИСИМОСТИ ОТ ТИПА ИСПОЛЬЗУЕМОГО ГАЗА.....	30
6.6. НАЧАЛО РАБОТЫ С ПРИБОРОМ.....	31
7. ЭЛЕМЕНТЫ ИНДИКАЦИИ И УПРАВЛЕНИЯ.....	32
7.1. ПАНЕЛЬ УПРАВЛЕНИЯ.....	32
7.2. ОСНОВНЫЕ РЕЖИМЫ РАБОТЫ .....	32
7.2.1. ДЛЯ ГАЗОВЫХ КОНФОРК .....	32
8. ОБСЛУЖИВАНИЕ И ЧИСТКА.....	35
9. ПОИСК И УСТРАНЕНИЕ НЕИСПРАВНОСТЕЙ .....	37



## 1. ОБРАЩЕНИЕ К ПОКУПАТЕЛЯМ

### Уважаемый покупатель!

Благодарим Вас за приобретение нашей продукции.

Пожалуйста, внимательно изучите все указания и предупреждения, приведенные в данной инструкции. Руководство пользователя содержит важную информацию по безопасной установке, эксплуатации и обслуживанию прибора, а также предупреждения, которые необходимо учитывать при его эксплуатации.

Рекомендуем хранить данную инструкцию в безопасном и легкодоступном месте и обращаться к ней по мере возникновения вопросов.

Производитель не несет ответственности за ущерб, нанесенный людям, окружающей среде или имуществу и связанный с неправильной эксплуатацией оборудования.



## 2. ОБЕСПЕЧЕНИЕ БЕЗОПАСНОСТИ ДЕТЕЙ

⇒ Открытые для прикосновения части прибора могут иметь высокую температуру во время и по окончании его использования, поэтому в это время не следует разрешать детям подходить близко к прибору.

⇒ Не кладите на прибор какие-либо предметы, которые могут оказаться доступны детям.

⇒ Упаковочные материалы могут представлять опасность для детей. Храните упаковочные материалы в недоступных для детей местах, либо утилизируйте эти материалы в соответствии с инструкцией компании-изготовителя.

⇒ Дети в возрасте до 8 лет могут находиться рядом с прибором только под присмотром взрослых.

⇒ Дети в возрасте от 8 лет и люди с физическими или психическими нарушениями, или нарушениями слуха, а также не имеющие достаточного опыта и знаний, должны быть проинструктированы о том, как пользоваться прибором, и наличии возможных опасностей, связанных с его использованием.

⇒ Не разрешайте детям играть с прибором.

⇒ Дети могут выполнять чистку и обслуживание прибора только под присмотром взрослых.



## 3. ОСНОВНЫЕ ТРЕБОВАНИЯ БЕЗОПАСНОСТИ

Данный прибор предназначен для бытового использования. Компания-изготовитель не несет ответственности за любой ущерб или убытки, понесенные вследствие неправильной или ненадлежащей установки.

Несмотря на простоту использования прибора, мы настоятельно рекомендуем вам внимательно изучить настоящую инструкцию. В таком случае вы сможете обеспечить максимальную эффективность при работе прибора и защитить себя и окружающих от возможных опасностей.

Пожалуйста, обратите внимание на приведенные ниже предупреждения, что позволит вам свести к минимуму опасности, которые могут возникнуть в процессе использова-

## Варочные панели

ния прибора, в том числе опасность электротравм и возникновения обстоятельств, которые могут причинить ущерб людям.

➔ Прибор рассчитан на напряжение питания 220–240 В.

➔ **ПРЕДУПРЕЖДЕНИЕ:** Прибор и его части, доступные для прикосновения, нагреваются в процессе работы.

➔ Не прикасайтесь к нагревательным элементам.

➔ **ПРЕДУПРЕЖДЕНИЕ:** Приготовление пищи с использованием растительного масла или жира без соблюдения должной предосторожности может быть опасно и в некоторых случаях даже приводить к пожару.

➔ В случае возникновения возгорания не допускается сбивать огонь с помощью воды. Сначала отключите прибор от сети питания и прекройте подачу газа, а затем накройте пламя, например, крышкой или противопожарным одеялом.

➔ **ПРЕДУПРЕЖДЕНИЕ:** Опасность пожара! Не используйте варочную панель для хранения каких-либо предметов или материалов.

➔ Доступные для прикосновения части прибора в процессе его работы могут сильно нагреваться.

➔ Не допускается чистить варочную панель с помощью паровых моечных установок.

➔ Не используйте прибор в тех случаях, когда вы не можете в полной

мере контролировать свои действия, например, в состоянии алкогольного опьянения или под воздействием лекарственных препаратов.

➔ Прибор оснащен вилкой с заземлением, поэтому розетка, к которой он подключается, также должна быть заземлена.

➔ Тщательно следите за тем, чтобы электрический кабель прибора проходил вне нагреваемых участков.

➔ Следите за тем, чтобы используемый газовый шланг соответствовал нормативным требованиям, не проходил через нагреваемые участки, а также проходил проверки с помощью мыльного раствора на предмет утечек.

➔ После подсоединения к прибору закрепите газовый шланг хомутом. Используя мыльный раствор, убедитесь в отсутствии утечек.

➔ Обратите внимание на то, что приборы, работающие на сжиженном нефтяном газе, должны соответствовать законодательно установленным нормам и быть рассчитаны на давление на выходе 300 мм вод. ст. (29,4 мбар).

➔ Давление природного газа составляет 200 мм вод.ст. (19,6 мбар). Для переналадки прибора на работу на природном или сжиженном нефтяном газе обращайтесь в официальную сервисную службу.

➔ Примечание. При использовании газового кухонного оборудования

в помещение выделяется тепло и пар. Обеспечьте эффективную вентиляцию кухни. Не перекрывайте имеющиеся вентиляционные отверстия или организуйте принудительную вентиляцию (вытяжку, вытяжной вентилятор).

### Примечание:

Величина пламени конфорок может регулироваться.



## ОБЩИЕ МЕРЫ ПРЕДОСТОРОЖНОСТИ

☞ Поскольку данный прибор предназначен для бытового использования, применение его в коммерческих или промышленных целях не допускается. Применение прибора не в соответствии с назначением (например, для обогрева помещения) может приводить к возникновению опасных ситуаций.

☞ Не допускайте прокладки газового шланга и электрического кабеля рядом с нагреваемыми частями прибора.

☞ Не храните рядом с прибором легковоспламеняющиеся, взрывоопасные и горючие материалы.

☞ Не перемещайте прибор, если он включен или еще недостаточно остыл.

☞ Если варочная панель не используется, переведите все ручки-регуляторы в положение ВЫКЛ и закройте подающий клапан.

☞ Не оставляйте работающую варочную панель без присмотра и постоянно контролируйте процесс приготовления пищи.

☞ Перед перемещением, выполнением чистки или обслуживания прибора обязательно извлекайте вилку из розетки.

☞ При извлечении вилки из розетки не допускается тянуть за кабель.

☞ Не используйте посуду, передающую стеклу варочной панели чрезмерное количество тепла.

☞ Размещайте посуду точно по центру конфорки.

☞ Ставьте посуду на варочную панель аккуратно, не допускайте падения.

☞ Рисунки, приведенные в настоящей инструкции, являются схематическими и могут не соответствовать в точности внешнему виду приобретенного вами прибора. Характеристики, указанные на заводской табличке прибора или в документации к нему, определены на основании лабораторных испытаний в соответствии с действующими стандартами. Приведенные данные могут изменяться в зависимости от типа использования и условий внешней среды.

## Варочные панели

↪ Не допускается нагревать закрытые консервные и стеклянные банки. Это может привести к повышению давления внутри них и взрыву.

↪ Поскольку края прибора нагреваются в процессе работы, не помещайте рядом с ним взрывоопасные или горючие вещества.

↪ Не ставьте пустые кастрюли и контейнеры на включенные конфорки – это может привести к повреждению стеклянной поверхности.

↪ Не допускается ставить на прибор пластмассовые и металлические контейнеры, так как поверхность может быть горячей.



#### 4. ЗАЩИТА ОКРУЖАЮЩЕЙ СРЕДЫ

Данный прибор подпадает под действие Европейской директивы 2002/96/EC, регламентирующей порядок сбора и переработки отходов электрического и электронного оборудования (WEEE) Перед утилизацией прибора необходимо принять меры по предотвращению вредного воздействия на человека и окружающую среду. В противном случае отработавшее срок службы оборудование может быть отнесено к категории опасных отходов. Приведенный ниже символ обозначает, что прибор не следует выбрасывать вместе с бытовыми отходами, и его необходимо сдать в специализированный пункт приема электронных отходов. Утилизация прибора должна быть проведена в соответствии с требованиями местного природоохранного законодательства.

Более подробную информацию об утилизации, повторном использовании и переработке отходов вы можете получить, обратившись в соответствующие организации.

**Соответствует применимым положениям Директивы WEEE.**



Этот символ обозначает, что прибор не следует выбрасывать вместе с бытовыми отходами, и его необходимо сдать в специализированный пункт приема электронных отходов. Утилизация прибора должна быть проведена в соответствии с требованиями местного природоохранного законодательства. Более подробную информацию об утилизации, повторном использовании и переработке отходов вы можете получить, обратившись в соответствующие организации.

↪ Сохраните оригинальную упаковку прибора.

↪ Перевозите прибор в оригинальной упаковке, соблюдая нанесенные на нее указания.



⇒ Если оригинальная упаковка отсутствует:

⇒ — Защитите внешние поверхности прибора от возможного нанесения ударов.

⇒ — Во время перевозки размещайте / держите прибор параллельно полу (верхняя часть прибора должна быть направлена вверх).

⇒ — Переносите решетки варочной панели так, чтобы они не соприкасались друг с другом.

### Упаковка

Все упаковочные материалы подлежат переработке. Вносите свой вклад в защиту окружающей среды, выбрасывая использованную упаковку в контейнеры для перерабатываемых материалов.



### Утилизация отработавшего срок службы оборудования

Оборудование, отслужившее свой срок, не следует выбрасывать в контейнеры для бытовых отходов, поскольку в нем могут содержаться компоненты, подлежащие вторичной переработке. Кроме того, в нем могут быть материалы, которые представляют опасность для окружающей среды и, следовательно, требуют передачи в специальные пункты сбора отходов. Поэтому вам следует доставить отслуживший срок службы прибор в такой

пункт сбора, адрес которого можно узнать у представителя компании-изготовителя / поставщика в вашем городе. Это позволит обеспечить правильную утилизацию электронных компонентов.

Необходимо сохранить инструкцию по эксплуатации и передавать ее новому владельцу в случае продажи оборудования.

Перед утилизацией прибора или сдачей его в пункт сбора необходимо принять меры по предотвращению вредного воздействия на человека и окружающую среду. В противном случае отработавшее срок службы оборудование может быть отнесено к категории опасных отходов.



### 5. ПЕРЕД ПЕРВЫМ ИСПОЛЬЗОВАНИЕМ ПРИБОРА

⇒ Перед использованием прибора убедитесь в том, что он полностью освобожден от упаковочного материала.

⇒ При извлечении варочной панели из упаковки убедитесь в целостности панели и кабеля и отсутствии повреждений, также осмотрите нижнюю поверхность прибора. При обнаружении каких-либо повреждений обратитесь к продавцу оборудования.

⇒ Все работы с газовым оборудованием и системами должны осуществляться квалифицированными специалистами, имеющими соответствующие лицензии.

## Варочные панели

⇒ В процессе работы газовых панелей в помещении, в котором они используются, выделяется тепло и пар.

⇒ Необходимо обеспечить эффективную вентиляцию кухонного помещения. Не перекрывайте имеющиеся вентиляционные отверстия или установите систему принудительной вентиляции (вытяжку).

⇒ Обеспечьте необходимое обслуживание газового оборудования квалифицированными специалистами, имеющими соответствующие лицензии.

⇒ Регулярно очищайте газовые конфорки.

⇒ Узнайте телефоны местных поставщиков газа, по которым можно звонить в случае возникновения аварийной ситуации.

### Что делать, если вы почувствовали запах газа?

⇒ Не разжигайте огонь. Не курите.

⇒ Не включайте электрические приборы. Не используйте стационарный или мобильный телефон.

⇒ Перекройте все вентили, установленные рядом с газовым оборудованием и счетчиками.

⇒ Откройте двери и окна.

⇒ Если запах газа сохраняется, выйдите из дома.

⇒ Предупредите соседей.

⇒ Позвоните в противопожарную службу. Используйте для этого телефон вне дома.

⇒ Не входите в дом, пока вам не сообщат о том, что это безопасно.



## 6. ИНСТРУКЦИЯ ПО УСТАНОВКЕ И ТЕХНИЧЕСКОМУ ОБСЛУЖИВАНИЮ

### 6.1. БЕЗОПАСНОСТЬ УСТАНОВКИ

Установка должна выполняться специалистами официального сервисного центра в соответствии с требованиями инструкции.

Производитель не несет ответственности за любые убытки или ущерб, нанесенные людям, животным или имуществу вследствие ненадлежащего использования прибора.

#### ПРЕДУПРЕЖДЕНИЯ – ПЕРЕД НАЧАЛОМ УСТАНОВКИ

**ВНИМАНИЕ!** Перед началом установки убедитесь в том, что тип газа и давление, на которые рассчитан прибор, соответствуют характеристикам подведенной к дому газораспределительной сети. Если необходимо выполнить переналадку оборудования на работу с другим типом газа, обратитесь в официальный сервисный центр.

⇒ После извлечения прибора из упаковки убедитесь в том, что он не поврежден, не деформирован и не имеет каких-либо других дефектов. В случае возникновения каких-либо сомнений проконсультируйтесь с поставщиком.

⇒ Во время установки электрический кабель прибора должен быть отсоединен от электросети.

⇒ Для обеспечения нормальной работы встроенной варочной панели размеры отверстия в столешнице, в которую она устанавливается, и материалы, используемые для установки, должны иметь соответствующие характеристики, в частности, столешница должна быть стойкой к воздействию тепла.

### **При установке варочной панели в столешницу следуйте приведенным ниже указаниям:**

Во избежание попадания инородных материалов и жидкостей между варочной панелью и столешницей проложите по периметру отверстия столешницы клейкую ленту, при этом концы ленты не должны накладываться друг на друга.

Поместите варочную панель в отверстие столешницы и выровняйте по центру.

Закрепите прибор в столешнице с помощью установочного шаблона и винтов.

При установке варочной панели руководствуйтесь приведенными далее рисунками.

## **6.2. УСТАНОВКА ПРИБОРА**

После снятия внешней упаковки, а также пленки с поставляемых отдельно деталей проверьте состояние прибора.

В случае возникновения каких-либо сомнений в работоспособности прибора не используйте его и обратитесь за помощью к квалифицированным специалистам.

Запрещается оставлять упаковочные материалы (картон, пакеты, пенопласт, гвозди и т.д.) в доступных для детей местах, поскольку это может привести к возникновению опасных ситуаций.

Размеры отверстия, которое необходимо выполнить в верхней части модульного шкафа для встраивания варочной панели, приведены на рис. 1

Обязательно соблюдайте требования, предъявляемые к размерам отверстия для установки прибора.

Прибор комплектуется специальным уплотнением, предотвращающим проникновение жидкости внутрь мебельного шкафа. Установка этого уплотнения осуществляется следующим образом:

⇒ Снимите с варочной панели все подвижные части.

⇒ Разрежьте уплотнение на 4 части необходимой длины в соответствии с длинами 4 сторон панели.

⇒ Переверните варочную панель и проложите уплотнение Е (рис. 2) вдоль ее края, так чтобы внешний край уплотнения располагался строго параллельно внешнему краю панели. Концы полосок уплотнения не должны накладываться друг на друга.

⇒ Прижмите и надежно зафиксируйте уплотнение к варочной поверхности равномерно по всей длине.

⇒ Вставьте варочную панель в подготовленное отверстие шкафа и закрепите ее с помощью скоб и винтов (см. рис. 3).

Варочные панели

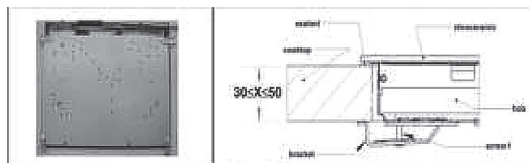


РИС. 3

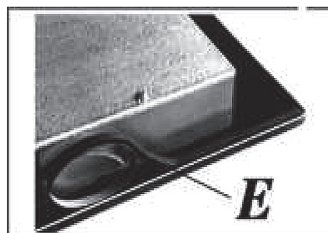


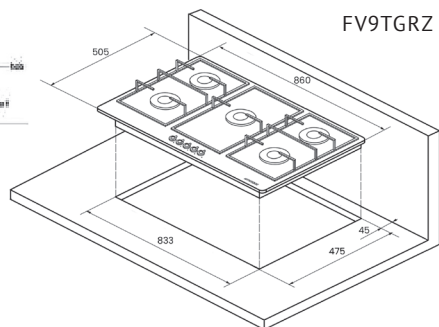
РИС. 2

### 6.3. ПОДКЛЮЧЕНИЕ К СЕТИ ЭЛЕКТРОПИТАНИЯ

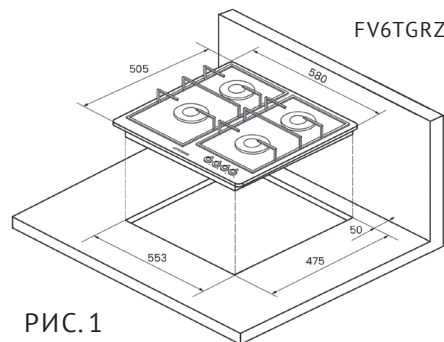
Электрическое подключение должно выполняться высококвалифицированными специалистами, имеющими соответствующие лицензии.

Подключение прибора к сети электропитания должно проводиться в соответствии с действующими нормами и стандартами.

➔ Перед подключением прибора необходимо убедиться в том, что розетка и электросеть имеют надежное заземление, соответствующее действующим нормам и стандартами. В случае несоблюдения этих условий компания-изготовитель снимает с себя всю ответственность за любые связанные с этим последствия. Если



FV9TGRZ



FV6TGRZ

РИС. 1

подключение к электросети производится с использованием розетки:

➔ Подсоедините к кабелю вилку, соответствующую нагрузке, указанной на заводской табличке.

➔ Подсоедините проводники, как показано на рис. 4, с учетом цветовой маркировки:

символ L (фаза) = коричневый проводник;

символ N (нейтраль) = синий проводник;

символ заземления  $\text{⏚}$  = желто-зеленый проводник.

⇒ Кабель питания должен располагаться таким образом, чтобы он не подвергался перегреву более 65 °С.

⇒ Для подключения не следует использовать удлинители, переходники или тройники, поскольку это может привести к опасному перегреву вследствие ненадежности таких контактов. Если подключение прибора производится непосредственно к электросети:

⇒ Между прибором и электросетью следует установить многополюсный выключатель, соответствующий потребляемой мощности прибора, при этом расстояние между разомкнутыми контактами должно составлять не менее 3 мм.

⇒ Обратите также внимание на то, что проводник заземления не должен разрываться автоматическим выключателем.

⇒ В качестве возможного варианта, подключение к сети электропитания также может быть защищено высокочувствительным устройством защитного отключения.

⇒ Настоятельно рекомендуется подсоединить проводник желто-зеленого цвета к надежной системе заземления.

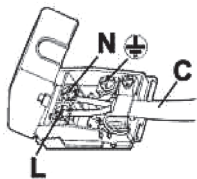


РИС. 4

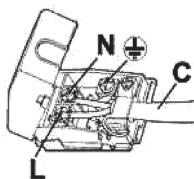


РИС. 5

## 6.4. ПОДКЛЮЧЕНИЕ К ГАЗОВОЙ СЕТИ

Приведенные ниже указания предназначены для специалистов, обладающих достаточными знаниями и опытом, которые необходимы для установки оборудования в соответствии с применимыми стандартами.

Все работы по ремонту и обслуживанию газового оборудования должны выполняться после отключения электропитания.

На заводской табличке варочной панели указан тип газа, на работу с которым она рассчитана. Подключение к газовой магистрали или газовому баллону должно выполняться только после проверки соответствия используемого типа газа.

Подключение к газовой магистрали или газовому баллону должно производиться только после проверки соответствия используемого типа газа. При этом должны быть выполнены следующие требования:

Приборы, работающие на сжиженном нефтяном газе, должны иметь стандартный штамп и быть рассчитаны на давление на выходе 300 мм вод. ст. (29,4 мбар).

Давление природного газа должно составлять 200 мм вод. ст. (19,6 мбар). Для переналадки прибора на работу на природном или сжиженном нефтяном газе обращайтесь в официальную сервисную службу.

Используемые трубы, прокладки или штампы должны соответствовать действующим стандартам. В некото-

## Варочные панели

рых странах требуется наличие конического соединения. В таком случае к прибору подсоединяется коническая соединительная часть.

Если прибор подсоединяется с помощью гибкого шланга, длина шланга не должна превышать 120 см.

Перед началом работ по подключению к газовой линии необходимо перекрыть подачу газа.

Подсоединение должно быть выполнено таким образом, чтобы к соединительным фитингам и трубам не была приложена механическая нагрузка. Убедитесь в том, что трубы не засорены и не контактируют с острыми углами.

Газовый шланг не должен проходить через нагреваемые участки.

**ПРИМЕЧАНИЕ. Газовый шланг варочной панели следует заменять каждые 4–5 лет, даже если у него нет видимых повреждений.**

**ПРИМЕЧАНИЕ. После подключения проверьте с помощью мыльного раствора, нет ли утечек. Не используйте для этой цели пламя.**

Убедитесь в том, что к газовому шлангу не приложена дополнительная механическая нагрузка.

Порядок установки компонентов при подключении к газовой линии:

1. Компоненты идут в следующем порядке: цилиндрический штырьковый адаптер, прокладка, гнездовой газовый адаптер, конические и цилиндрические или только цилиндрические компоненты.

2. Затяните соединения с помощью ключа, так чтобы трубы находились в правильном положении.

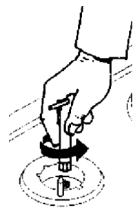
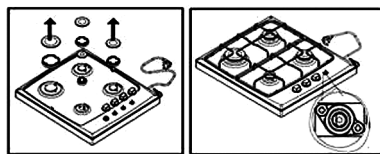
3. Подсоедините муфту к главному источнику газа с использованием жесткой медной трубы или гибкой стальной трубы.

**ПРЕДУПРЕЖДЕНИЕ. Окончательная проверка труб на отсутствие утечек осуществляется с помощью мыльного раствора, не допускается использовать для этой цели пламя.**

### 6.5. НАСТРОЙКА ВАРОЧНОЙ ПАНЕЛИ В ЗАВИСИМОСТИ ОТ ТИПА ИСПОЛЪЗУЕМОГО ГАЗА

Приведенные ниже указания предназначены для специалистов, обладающих достаточными знаниями и опытом, которые необходимы для установки оборудования в соответствии с применимыми стандартами.

➔ Все работы по ремонту и обслуживанию газового оборудования должны выполняться после отключения электропитания.



Чтобы перенастроить газовую варочную панель, снимите крышки конфорок и рассекатели. Замените инжекторы, выполнив описанную ниже последовательность действий, на инжекторы подходящего диаметра согласно данным, приведенным в руководстве пользователя. При выполнении работ используйте отвертку с плоским наконечником, для доступа к регулировочному винту клапана необходимо снять ручки регуляторов варочной панели и резиновые прокладки. Чтобы установить низкий уровень пламени, поверните винт регулировки газа на клапане в положение минимального расхода газа. Эта настройка выполняется после установки конфорки, поджига ее и поворота ручки регулятора в минимальное положение.

Винт регулировки расхода газа необходимо затянуть при переходе на сжиженный нефтяной газ или, напротив, ослабить при переходе со сжиженного нефтяного газа на природный газ.

После установки варочной панели завершите перенастройку, подсоединив резиновые уплотнения и регуляторы в нужном порядке.

Данные указания предназначены для специалистов официального сервисного центра. Установка прибора должна осуществляться в соответствии с действующими правилами и в надлежащем порядке. Перед выполнением любых работ электропи-

тание прибора должно быть отключено.

Тип газа, на который рассчитана варочная панель, указывается на ее заводской табличке.

## 6.6. НАЧАЛО РАБОТЫ С ПРИБОРОМ

### ПОДЖИГ КОНФОРКИ

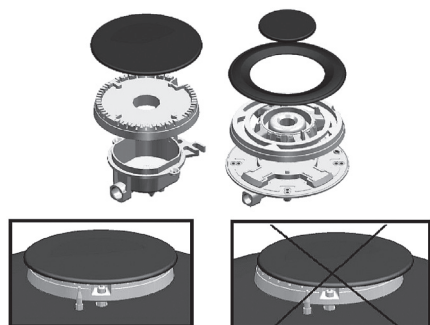
Если варочная панель не оснащена встроенным устройством для поджига, а также в случае отключения электропитания поместите над конфоркой зажженную спичку или пьезозажигалку, нажмите на ручку регулятора, затем переведите ее в нужное положение, вращая против часовой стрелки. **Настройка подачи газа должна быть произведена между максимальным и минимальным уровнями, но не между максимальной позицией и позицией отключения.**

Чтобы отключить конфорку, поверните ручку регулятора по часовой стрелке в положение ОТКЛ.

### МОДЕЛИ, ОСНАЩЕННЫЕ ЭЛЕКТРОПОДЖИГОМ (автоматический поджиг)

Чтобы зажечь одну из конфорок, нажмите ручку регулятора и переведите ее в максимальное положение. После того как конфорка загорится, поворачивая ручку регулятора, отрегулируйте пламя до нужной интенсивности.

Варочные панели



ПРАВИЛЬНО

НЕПРАВИЛЬНО

Рисунок 6

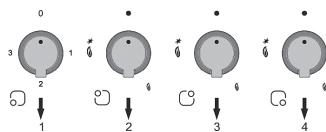
➔ Для обеспечения нормальной работы варочной панели, решетки и части конфорок должны быть установлены в правильном положении (Рис. 6).

➔ Убедитесь в том, что пламя конфорок имеет синий цвет и горит бесшумно. Если пламя имеет желтый цвет или издает шум, убедитесь в том, что все конфорки установлены правильно. Если и после этого пламя не изменит цвет на синий, обратитесь в сервисный центр.

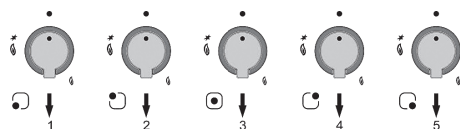


**7. ЭЛЕМЕНТЫ ИНДИКАЦИИ И УПРАВЛЕНИЯ**

**7.1. ПАНЕЛЬ УПРАВЛЕНИЯ**



1. Left front burner control switch
2. Left rear burner control switch
3. Right rear hot-plate control switch
4. Right front burner control switch

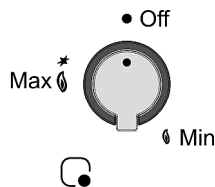


1. Left front burner control switch
2. Left rear burner control switch
3. Middle burner control switch
4. Right rear burner control switch
5. Right front burner control switch

**7.2. ОСНОВНЫЕ РЕЖИМЫ РАБОТЫ**

**7.2.1. ДЛЯ ГАЗОВЫХ КОНФРОК**

Регулировка уровня мощности конфорок  
 Поверните ручку регулятора влево до максимального уровня. После нажатия на ручку все устройства поджига сработают, и конфорка загорится. Отпустите ручку через несколько секунд после поджига горелки, и затем поверните ручку в необходимое положение между максимальным и минимальными уровнями.





Если после отпускания ручки пламя погасло, то описанный выше процесс необходимо повторить. Но в этот раз нажмите ручку регулятора и удерживайте ее примерно 10 секунд.

### ПРЕДУПРЕЖДЕНИЕ

**Не удерживайте устройство поджига включенным более 15 секунд. Если конфорка не загорелась в течение этого времени, или если пламя погасло по какой-либо причине, повторите процедуру поджига через 1 минуту.**

### Выключение конфорок

Чтобы погасить пламя, поверните ручку регулятора конфорки по часовой стрелке.

### Система «газ-контроль»

Все конфорки варочной панели оснащены системой «газ-контроль» на случай внезапного гашения пламени (из-за попадания воды, ветра и т.д.). Если пламя погасло при открытой конфорке, эта предохранительная система перекрывает подачу газа на погасшую конфорку. Если конфорка была отключена предохранительной системой, то ручку регулятора необходимо перевести в положение отключения, а затем повторить процесс поджига.

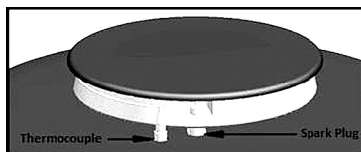


Рисунок 8

### Выбор конфорки

➤ Для обеспечения эффективного приготовления пищи диаметр кастрюли (сковороды) и мощность конфорки должны соответствовать друг другу. Значения диаметра, соответствующие каждому типу конфорки, приведены в таблице ниже.

➤ Выберите диаметр и объем посуды, подходящие для использования с конфоркой.

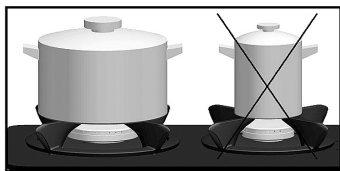
### Использование решеток и рекомендации

Решетки варочной панели спроектированы таким образом, чтобы обеспечивалось ее безопасное использование. Убедитесь, что решетки расположены правильно, и их ножки находятся в устойчивом положении.

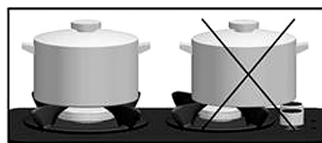
➤ Не используйте кастрюли с деформированным дном, т.к. они могут неустойчиво стоять на решетке.

➤ Используйте кастрюли правильного диаметра. Не ставьте кастрюли небольшого диаметра на большие конфорки. Это может вызвать перерасход газа и снизить эффективность работы варочной панели

## Варочные панели

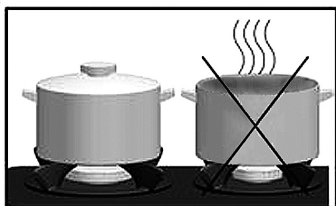


⇒ Во избежание чрезмерного расхода энергии не готовьте в кастрюлях с открытой или полуоткрытой крышкой.



⇒ Следите за тем, чтобы конфорка не подвергалась ударам. Не кладите на варочную панель тяжелые предметы.

⇒ Не нагревайте пустые кастрюли. Это может привести к деформации их дна. В свою очередь, нагретое дно кастрюли может повредить поверхность варочной панели.

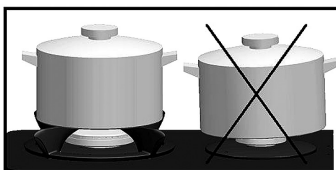


⇒ Избегайте попадания холодных жидкостей на горячую стеклянную поверхность варочной панели.

⇒ Не ставьте посуду непосредственно на конфорку – только на решетку.

⇒ Не кладите на варочную панель острые предметы.

⇒ Не используйте кастрюли, дно которых излучает вниз избыточное тепло.



⇒ В случае возгорания не пытайтесь тушить пламя водой. Отключите варочную панель от электросети и воспользуйтесь плотным материалом, например, противопожарным одеялом, чтобы накрыть и сбить пламя.

⇒ Ставьте кастрюлю на решетку ровно. Посуда, расположенная неровно, может опрокинуться. Не ставьте широкие кастрюли таким образом, чтобы они нависали над регуляторами, т.к. это может повредить регуляторы. Ставьте кастрюли на решетки плавными и аккуратными движениями.

⇒ Данный прибор не рассчитан на работу с таймером или пультом дистанционного управления.

⇒ Используйте с варочной панелью кастрюли с плоским дном. Это позволит максимально эффективно использовать тепловую энергию.

⇒ Не рекомендуется применение кастрюль с вогнутым дном.

⇒ Ставьте на варочную панель только кастрюли, имеющие сухое дно.

Не кладите на варочную панель крышки кастрюль, особенно влажные.

⇒ Протирайте варочную панель влажной салфеткой. При сильных загрязнениях рекомендуется вымыть ее водой с моющим средством и вытереть насухо, а затем нанести масляную смазку для создания тонкой масляной пленки.

⇒ Чтобы освежить поверхность варочной панели, протрите ее небольшим количеством масла или используйте для этой цели специализированные средства по уходу за варочными панелями.

⇒ Рекомендуется установить максимальный уровень мощности в начале процесса приготовления пищи, далее длительность готовки и уровень мощности конфорки следует подбирать в соответствии с типом и количеством продуктов, которые должны быть приготовлены.

### Предупреждения

⇒ Не оставляйте прибор без присмотра, т.к. от конфорок выделяется очень много тепла, и не допускайте, чтобы дети пользовались прибором.

⇒ Имейте в виду, что при готовке с использованием растительного масла и жиров существует опасность возгорания.

⇒ Не размещайте рядом с варочной панелью легковоспламеняемые или взрывоопасные вещества.



## 8. ОБСЛУЖИВАНИЕ И ЧИСТКА

**Перед выполнением чистки и технического обслуживания изучите приведенные ниже указания.**

⇒ Из соображений безопасности отключите прибор.

Если прибор работает на природном газе, перекройте клапан. Если прибор работает на сжиженном нефтяном газе, закройте кран баллона.

⇒ Извлеките вилку прибора из настенной розетки.

⇒ Если варочная панель нагрета, дождитесь, пока она остынет.

⇒ Чтобы продлить срок службы стеклянного покрытия и решеток, их необходимо чистить с использованием специальных чистящих средств через определенные интервалы.

⇒ Чистка поверхности из нержавеющей стали выполняется соответствующими средствами, по окончании чистки ее следует вытереть насухо мягкой салфеткой.

⇒ Во избежание повреждения системы поджига не зажигайте газ без установленных конфорок.

⇒ После очистки термопары и предохранительного устройства правильно установите конфорки на место.

⇒ Мойте верхние части конфорок через заданные интервалы с помощью воды и моющего средства и прочищайте газовые каналы щеткой.

**Варочные панели**

Будьте внимательны, все компоненты должны быть установлены в правильные места.

➤ Для чистки конфорок запрещено использовать кислоты, растворитель, бензол и другие подобные химикаты.

➤ Чтобы продлить срок службы стеклянной варочной панели и решеток, регулярно выполняйте их чистку с использованием специальных средств.

➤ Чистку следует выполнять подходящими чистящими средствами, предназначенными для удаления пятен и жира.

➤ Не используйте агрессивные чистящие и моющие средства и пятновыводители, а также металлические мочалки и губки.

➤ Не допускайте попадания на горячую стеклянную поверхность или горячие конфорки холодной жидкости. Стекло может треснуть от перепада температур.

Очищайте варочную панель регулярно после каждого использования, дождавшись, пока она остынет, — это позволит вам пользоваться ей максимально эффективно.

**Во время чистки не снимайте ручки регуляторов конфорок.**

**Решетки**

Решетки допускается мыть в посудомоечной машине.

**Газовые конфорки**

Газовые конфорки, состоящие из двух частей, следует очищать с помощью моющего средства.

После очистки конфорки следует высушить и затем аккуратно установить на место.

В моделях с электрическим поджигом электрод должен всегда оставаться чистым. В моделях с предохранительным клапаном клапан необходимо очищать для обеспечения безопасной работы.

По завершении процесса чистки конфорки необходимо установить на место.

Не используйте систему поджига без установленных горелок, т.к. это может повредить систему.

**9. ПОИСК И УСТРАНЕНИЕ НЕИСПРАВНОСТЕЙ**

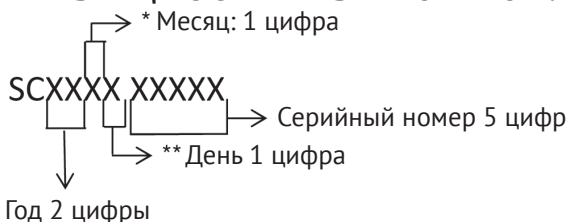
В некоторых случаях неисправности могут быть устранены самостоятельно. Перед тем, как обращаться в сервисный центр, выполните указанные ниже проверки.

СБОЙ / НАРУШЕНИЕ В РАБОТЕ	ВОЗМОЖНАЯ ПРИЧИНА	СПОСОБ УСТРАНЕНИЯ
Не работают электрические компоненты	Возможно, перегорел предохранитель.	Проверьте блок предохранителей.
Не подается газ	Возможно, перекрыт клапан. Утечка газа из трубки.	Откройте клапаны. Замените газовую трубку.
Поджиг не работает	Возможно, намочили части системы поджига. Неправильно расположена крышка на конфорке. Засорена свеча зажигания.	Высушите детали системы поджига. Правильно расположите крышку на конфорке. Очистите свечу зажигания.
Неравномерное пламя	Возможно, намочили части системы поджига. Неправильно расположена крышка на конфорке. Возможно, засорены отверстия рассекателя.	Высушите детали системы поджига. Правильно расположите крышку на конфорке. Очистите рассекатель.
После начального поджига пламя гаснет	Возможно, неправильно нажата кнопка. Возможно, засорены отверстия рассекателя.	Удерживайте кнопку в нажатом состоянии в течение нескольких секунд после появления пламени.
Чувствуется запах газа	Возможно, имеется утечка газа из места соединения газовой трубки.	Проверьте место соединения газовой трубки.



Варочные панели

**ТАБЛИЦА С СЕРИЙНЫМ НОМЕРОМ:**



\* После цифр последовательность продолжают буквы. (Октябрь: А, Ноябрь: В, Декабрь: С)

\*\* После цифр последовательность продолжают буквы (Смотрите на таблицу, приведенную ниже.)

День	Символ	День	Символ	День	Символ	День	Символ
1	1	10	А	19	К	28	U
2	2	11	В	20	L	29	V
3	3	12	С	21	М	30	W
4	4	13	D	22	N	31	X
5	5	14	E	23	P		
6	6	15	F	24	Q		
7	7	16	G	25	R		
8	8	17	H	26	S		
9	9	18	J	27	T		

**Производители:**

С . . . . . 316 ; . . . . .  
 . . . . . ; . . . . . :144/1 35410 - . . . . . /

**Уполномоченное изготовителем лицо/импортер:**

ООО «Эм-Джи Русланд»,141400  
 г.Химки, ул.Бутаково, д.4


ООО «Купперсберг-Импорт», 125438,  
 г. Москва, ул. Автомоторная, д. 7

Сделано в ЕС




## ООО «КУППЕРСБЕРГ-СЕРВИС»

УСТАНОВКА, ГАРАНТИЙНОЕ И ПОСТГАРАНТИЙНОЕ ОБСЛУЖИВАНИЕ  
ПО МОСКВЕ И МОСКОВСКОЙ ОБЛАСТИ

 +7 (495) 236-90-67

---

Телефон горячей линии Kuppersberg:

 8 (800) 250-17-18

(Звонки для всех регионов бесплатные).

 Часы работы линии: с 9:00 до 18:00 Пн-Пт

---

⇒ Полный список авторизованных сервисных центров Kuppersberg можно найти на официальном сайте компании:

 <http://kuppersberg.ru>

---

⇒ Данный паспорт технического изделия заменяет гарантийный талон.

⇒ Гарантийный срок исчисляется со дня заключения договора купли-продажи.

⇒ При отсутствии документов, подтверждающих покупку, эти сроки исчисляются со дня изготовления товара (Ст. 19 ЗоЗПП, пункт 2).

---

## УСЛОВИЯ ГАРАНТИИ

Настоящие условия гарантии действительны на территории России, если иные условия не установлены действующим законодательством:

1. Изготовитель устанавливает гарантийный срок 2 (два) года со дня передачи Потребителю на следующие виды техники: воздухоочистители, встраиваемую технику. Срок службы бытовой техники «Kuppersberg» при соблюдении правил эксплуатации и применения ее в бытовых целях составляет 10 (десять) лет.

2. Гарантия распространяется на изделия, использующиеся только для личных, семейных, домашних нужд, а также нужд, не связанных с осуществлением предпринимательской деятельности.

3. Проследите, чтобы гарантийный талон был правильно заполнен, не имел исправлений и в нем были указаны: дата продажи, штамп торговой организации и подпись продавца, модель и серийный номер изделия, дата установки, название и штамп фирмы-установщика.

4. Сохраняйте гарантийный документ, чек на проданное изделие и квитанцию на услуги по его установке (доставке), доработке водяных и электрических внутриквартирных коммуникаций, а также любые другие документы, относящиеся к гарантийному или техническому обслуживанию изделия.

5. Прежде чем вызвать специалиста сервисного центра, внимательно прочитайте инструкцию по эксплуатации изделия. Если изделие исправно, то за сервисным центром остается право требовать от Потребителя оплаты ложного вызова.

6. Любые претензии по качеству изделия рассматриваются только после предварительной проверки качества изделия представителем сервисного центра.

7. Изготовитель не несет какой-либо ответственности за любой возможный ущерб, нанесенный потребителю, в случае несоблюдения последним требований Изготовителя, указанных в данном гарантийном документе и инструкции по эксплуатации.



8. Гарантийный срок на элементы освещения (галогеновые, светодиодные и лампы накаливания) составляет 15 дней со дня продажи прибора.

**Гарантия не распространяется на изделия, недостатки в которых возникли вследствие:**

1. Несоблюдения требований Изготовителя, указанных в гарантийном документе;
2. Несоблюдения Потребителем правил установки, подключения, эксплуатации, хранения или транспортировки изделия, указанных в инструкции по эксплуатации;
3. Ремонта не уполномоченными на то лицами, если таковой ремонт повлек за собой отказ изделия;
4. Разборки изделия, изменения конструкции и других вмешательств, не предусмотренных инструкцией по эксплуатации;
5. Неисправностей и повреждений, вызванных экстренными условиями и действием непреодолимой силы (пожар, стихийные бедствия, и т.д.);
6. Повреждений техники или нарушений ее нормальной работы, вызванных животными или насекомыми;
7. Повреждений техники или нарушений ее нормальной работы, вызванных сверхнормативными отклонениями параметров сети электро-, газо- или водоснабжения от номинальных значений;
8. Использования изделия для предпринимательской деятельности или в непредусмотренных целях;
9. Образования на нагревательных элементах избыточного слоя накипи (при повышенной жесткости воды необходима обработка соответствующими составами);
10. Попадания во внутренние рабочие объемы изделия посторонних предметов, мелких деталей одежды или остатков пищи;
11. Механических повреждений изделия Потребителем (царапины, трещины, сколы и т.п.);
12. Потери товарного вида изделия вследствие воздействия на изделие химических веществ;
13. Термических и других подобных повреждений, которые возникли в процессе эксплуатации.

**Изготовитель не принимает претензии в следующих случаях:**

1. Несоблюдение правил установки;
2. Отсутствие оригинального гарантийного талона;
3. Отсутствие в гарантийном талоне следующих сведений: даты продажи, штампа торгующей организации, подписи продавца, модели и серийного номера изделия;
4. Внесение любых исправлений (изменений) в текст гарантийного документа.

**Установка и подключение крупной бытовой техники:**

1. Производитель рекомендует Вам доверить установку и подключение изделия «Kuppersberg» специалистам сервисного центра. Вы можете также обращаться в любую другую организацию, имеющую сертификат на оказание подобных услуг.

2. Оплата работ по установке и подключению изделия происходит по прейскуранту сервисного центра. Условия оплаты работ по установке и подключению изделия регулируются действующим законодательством. Изготовитель не несет какой-либо ответственности за любой ущерб, нанесенный имуществу граждан вследствие установки и подключения, не соответствующих требованиям, указанным в инструкции по эксплуатации, и произведенных не уполномоченными на то лицами.

3. В случае нарушения требований Изготовителя по установке и подключению, ответственность за причиненный ущерб несет лицо, проводившее эту работу.

4. Газовая бытовая техника может быть установлена только специалистом, имеющим допуск на установку газового оборудования. Гарантийное обслуживание осуществляется только при наличии отметки об установке или документа уполномоченной организации.

Изделие, имеющее трехконтактную сетевую вилку, обязательно должно быть заземлено!

---

RU C-DE.AI30.B.01371 ВЫДАН «ИВАНОВО-СЕРТИФИКАТ», ДЕЙСТВУЕТ ДО 23/02/2020

---









⇒ **ВНИМАНИЕ!**

**ДАННЫЙ ПАСПОРТ ИЗДЕЛИЯ  
ТАК ЖЕ ЯВЛЯЕТСЯ  
ГАРАНТИЙНЫМ ТАЛОНОМ,  
ПРОСЬБА НЕ УНИЧТОЖАТЬ  
ДО КОНЦА ЭКСПЛУАТАЦИИ  
ТЕХНИКИ.**

⇒ Kuppersberg

⇒ [www.kuppersberg.ru](http://www.kuppersberg.ru)

⇒ [info@kuppersberg.ru](mailto:info@kuppersberg.ru)