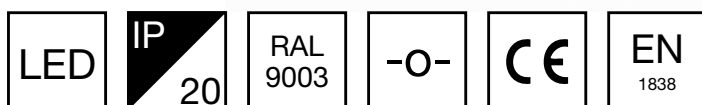


SLIMSPOT II: ANGLE



Slimspot II is a recessed emergency light that is effective and seamless. It has an elegant and minimalist appearance, so it blends in with the surroundings and architecture. The broad Slimspot II product family and range of optics offers many options to suit a variety of applications and systems. Slimspot II is designed for indoor lighting, and it has durable metal framing. The standard colour of the luminaire is white. On request, it is also possible to order Slimspot II in black and grey to match the surrounding environment.

The Slimspot II Angle provides an angled light pattern that illuminates fire and safety equipment (such as fire alarm call points, first aid stations, firefighting equipment and panels) vertically with 5 lux according to EN 1838.

for illuminating fire and safety equipment
5 lux according to the requirements of EN 1838
light pattern angle $\alpha = 45^\circ$
self-contained or centrally supplied depending on model
IP rating: IP20
installation: recess-mounted
material: metal framing
standard colour: white (RAL 9003)
optional colours: black (RAL 9005) and grey (RAL 9006)

The product codes starting with letter Y include an individually packed luminaire. The product codes starting with TW include the luminaire only.

SELF-CONTAINED ESCAP EMERGENCY LIGHTS WITH SUPER

We reserve the rights to make modifications without notice.
Copyright © 2021 Teknoware. All rights reserved.
Date: January 02, 2021 | Source:
www.teknoware.com/en/emergency-lighting/emergency-lights/emergency-light-product-families/slimspot-ii-angle



Teknoware Oy | P.O. Box 19, 15101 Lahti | Ilmarisentie 8, 15200 Lahti Finland
Tel +358 3 883 020 | VAT-number FI01494751 | teknoware.com | emexit@teknoware.com

CAPACITOR AND SELF-TESTING

Product Code	Nominal Supply Voltage	Feature	Backup (h)	Form
TWSD192WM	220-240 V, 50/60 Hz AC	Escap, Lumi Test	1	

SELF-CONTAINED ESCAP EMERGENCY LIGHTS WITH SUPER CAPACITOR AND WIRELESS CENTRAL MONITORING

Product Code	Nominal Supply Voltage	Feature	Backup (h)
TWSD192WA	220-240 V, 50/60 Hz AC	Aalto Control, Escap, Lumi Test	1

SELF-CONTAINED EMERGENCY LIGHTS WITH BATTERY AND SELF-TESTING

Product Code	Nominal Supply Voltage	Feature	Backup (h)
TWTD152WM	220-240 V, 50/60 Hz AC	Lumi Test	1
TWTD153WM	220-240 V, 50/60 Hz AC	Lumi Test	3

SELF-CONTAINED EMERGENCY LIGHTS WITH BATTERY AND WIRELESS CENTRAL MONITORING

Product Code	Nominal Supply Voltage	Feature	Backup (h)
TWTD152WA	220-240 V, 50/60 Hz AC	Aalto Control, Lumi Test	1
TWTD153WA	220-240 V, 50/60 Hz AC	Aalto Control, Lumi Test	3

ADDRESSABLE 230 V CENTRALLY SUPPLIED EMERGENCY LIGHTS

Product Code	Nominal Supply Voltage	Feature
TWTD151WK	220-240 V, 50/60 Hz AC, DC	Intelligent Controller, Tapsa Control

NON-ADDRESSABLE 230 V CENTRALLY SUPPLIED EMERGENCY LIGHTS

Product Code	Nominal Supply Voltage	Feature
TWTD171W	24-230 V, 50/60 Hz AC, DC	

We reserve the rights to make modifications without notice.

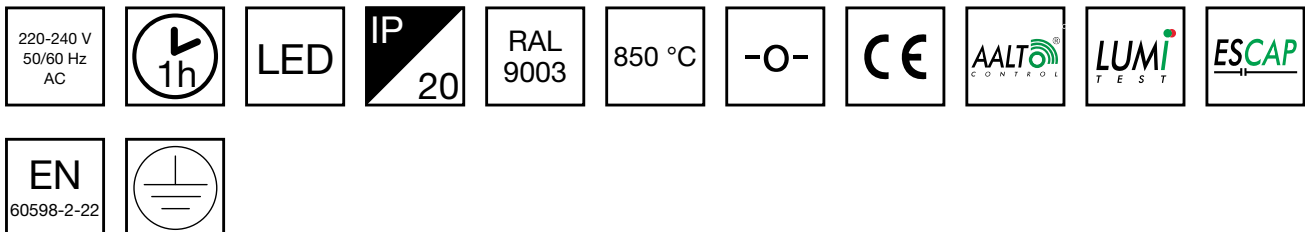
Copyright © 2021 Teknoware. All rights reserved.

Date: January 02, 2021 | Source:

www.teknoware.com/en/emergency-lighting/emergency-lights/emergency-light-product-families/slimspot-ii-angle



SLIMSPOT II ANGLE EMERGENCY LIGHT TWSD192WA



Self-contained Escap emergency light with 1h super capacitor and wireless central monitoring

Slimspot II is a recessed emergency light that is effective and seamless. It has an elegant and minimalist appearance, so it blends in with the surroundings and architecture. The broad Slimspot II product family and range of optics offers many options to suit a variety of applications and systems. Slimspot II is designed for indoor lighting, and it has durable metal framing. The standard colour of the luminaire is white. On request, it is also possible to order Slimspot II in black and grey to match the surrounding environment.

The Slimspot II Angle provides an angled light pattern that illuminates fire and safety equipment (such as fire alarm call points, first aid stations, firefighting equipment and panels) vertically with 5 lux according to EN 1838.

We reserve the rights to make modifications without notice.
Copyright © 2021 Teknoware. All rights reserved.
Date: January 07, 2021 | Source:
www.teknoware.com/en/emergency-lighting/slimspot-ii-angle-emergency-light-twsd192wa

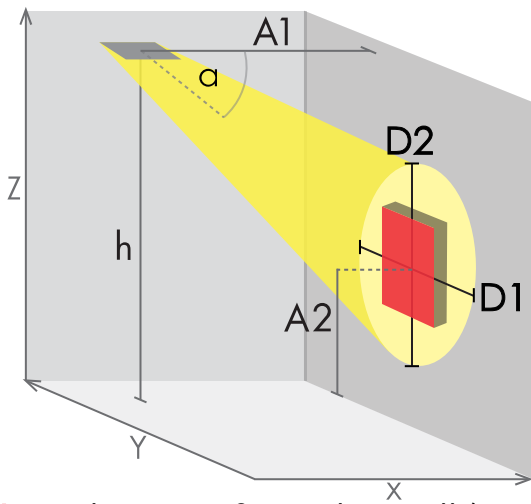


Teknoware Oy | P.O. Box 19, 15101 Lahti | Ilmarisentie 8, 15200 Lahti Finland
Tel +358 3 883 020 | VAT-number FI01494751 | teknoware.com | emexit@teknoware.com

Product Code	TWSD192WA
Feature	Aalto Control, Escap, Lumi Test
Mounting (standard)	recess
Customs Code	94056080
GTIN Code	6438045026718
ETIM Product Class	EC001957
Length	90 mm
Width	90 mm
Height	46 mm
Weight	0.8 kg
Backup	1 h
Max Input Power VA	3 VA
Nominal Supply Voltage	220-240 V, 50/60 Hz AC
Protection Class	I
IP Class	IP20
Temperature Range Min - Max	-25...+35 °C
Glow Wire Test of Plastic Materials	850 °C
Light Source	LED
Body Material	metal
Aperture for Recess Mounting	ø75 mm
Colour	RAL9003
Electrical Installation	3 x 2,5 mm ²
Luminous Flux	60 lm

Light distribution chart of angled light

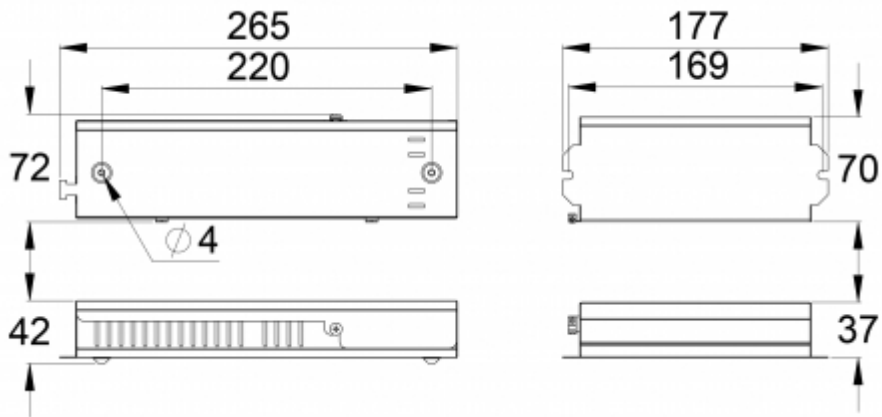
| Area in which a minimum vertical illuminance of 5 lx is achieved



A1 distance from the wall (X axis)
 A2 distance from the floor (Z axis)
 D1 pattern width (Y axis)
 D2 pattern height (Z axis)

TWSD192WA

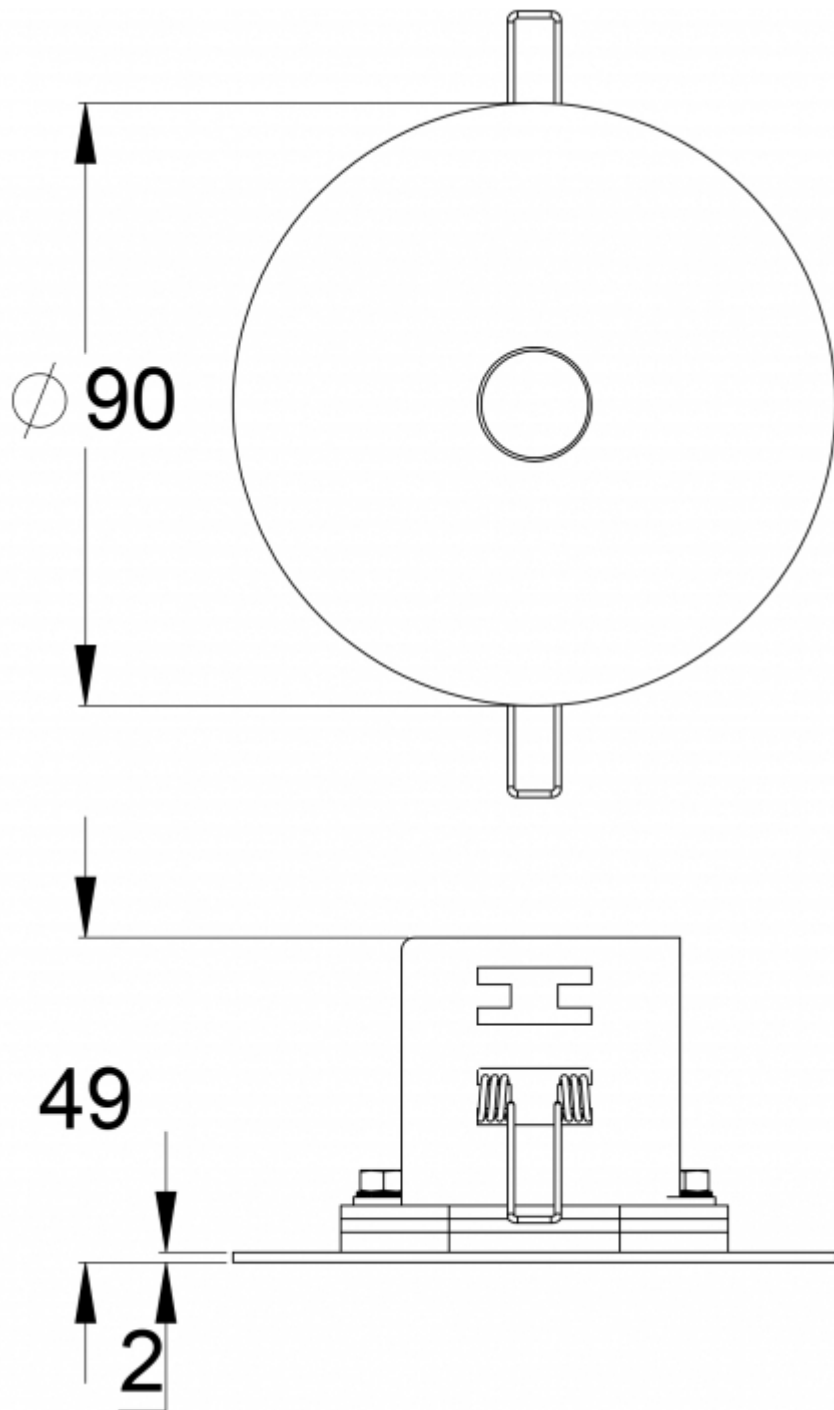
Mounting height (m)	A1 (m)	A2 (m)	D1 (m)	D2 (m)
			5 lux	5 lux
2,5	1	1,5	1,5	2
2,5	1,5	1,4	1,6	2,1
2,5	2,0	0,9	1,4	1,8
3	1	2	1,5	2
3	1,5	1,9	1,6	2,1
3	2,0	1,4	1,4	1,8



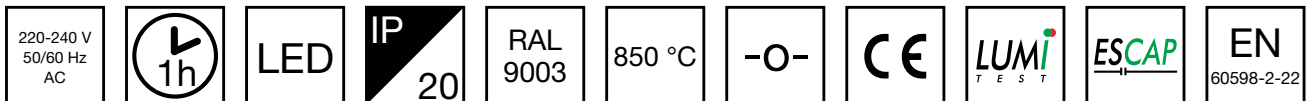
We reserve the rights to make modifications without notice.
Copyright © 2021 Teknoware. All rights reserved.
Date: January 07, 2021 | Source:
www.teknoware.com/en/emergency-lighting/slimspot-ii-angle-emergency-light-twsd192wa

Teknoware Oy | P.O. Box 19, 15101 Lahti | Ilmarisentie 8, 15200 Lahti Finland
Tel +358 3 883 020 | VAT-number FI01494751 | teknoware.com | emexit@teknoware.com





SLIMSPOT II ANGLE EMERGENCY LIGHT TWSD192WM



Self-contained Escap emergency light with 1h super capacitor and Lumi Test self-testing

Slimspot II is a recessed emergency light that is effective and seamless. It has an elegant and minimalist appearance, so it blends in with the surroundings and architecture. The broad Slimspot II product family and range of optics offers many options to suit a variety of applications and systems. Slimspot II is designed for indoor lighting, and it has durable metal framing. The standard colour of the luminaire is white. On request, it is also possible to order Slimspot II in black and grey to match the surrounding environment.

The Slimspot II Angle provides an angled light pattern that illuminates fire and safety equipment (such as fire alarm call points, first aid stations, firefighting equipment and panels) vertically with 5 lux according to EN 1838.

We reserve the rights to make modifications without notice.
Copyright © 2021 Teknoware. All rights reserved.
Date: January 07, 2021 | Source:
www.teknoware.com/en/emergency-lighting/slimspot-ii-angle-emergency-light-twsd192wm

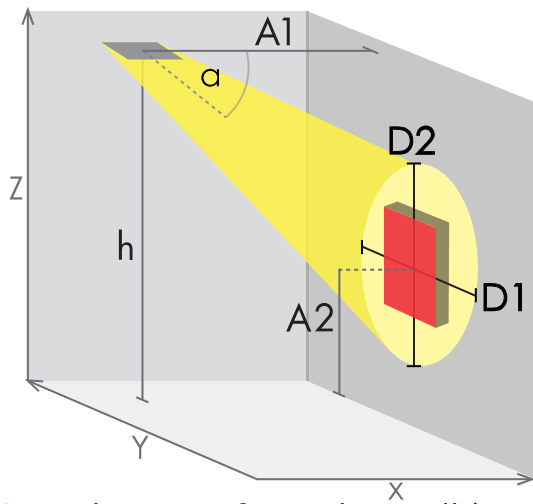


Teknoware Oy | P.O. Box 19, 15101 Lahti | Ilmarisentie 8, 15200 Lahti Finland
Tel +358 3 883 020 | VAT-number FI01494751 | teknoware.com | emexit@teknoware.com

Product Code	TWSD192WM
Feature	Escap, Lumi Test
Mounting (standard)	recess
Customs Code	94056080
GTIN Code	6438045026725
ETIM Product Class	EC001957
Length	90 mm
Width	90 mm
Height	46 mm
Weight	0.8 kg
Backup	1 h
Max Input Power VA	3 VA
Nominal Supply Voltage	220-240 V, 50/60 Hz AC
Protection Class	I
IP Class	IP20
Temperature Range Min - Max	-25...+35 °C
Glow Wire Test of Plastic Materials	850 °C
Light Source	LED
Body Material	metal
Aperture for Recess Mounting	ø75 mm
Colour	RAL9003
Electrical Installation	3 x 2,5 mm ²
Luminous Flux	60 lm

Light distribution chart of angled light

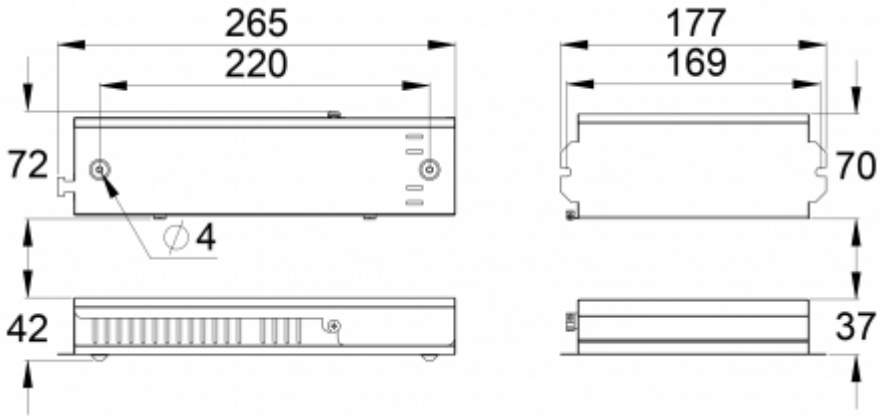
| Area in which a minimum vertical illuminance of 5 lx is achieved



A1 distance from the wall (X axis)
 A2 distance from the floor (Z axis)
 D1 pattern width (Y axis)
 D2 pattern height (Z axis)

TWSD192WM

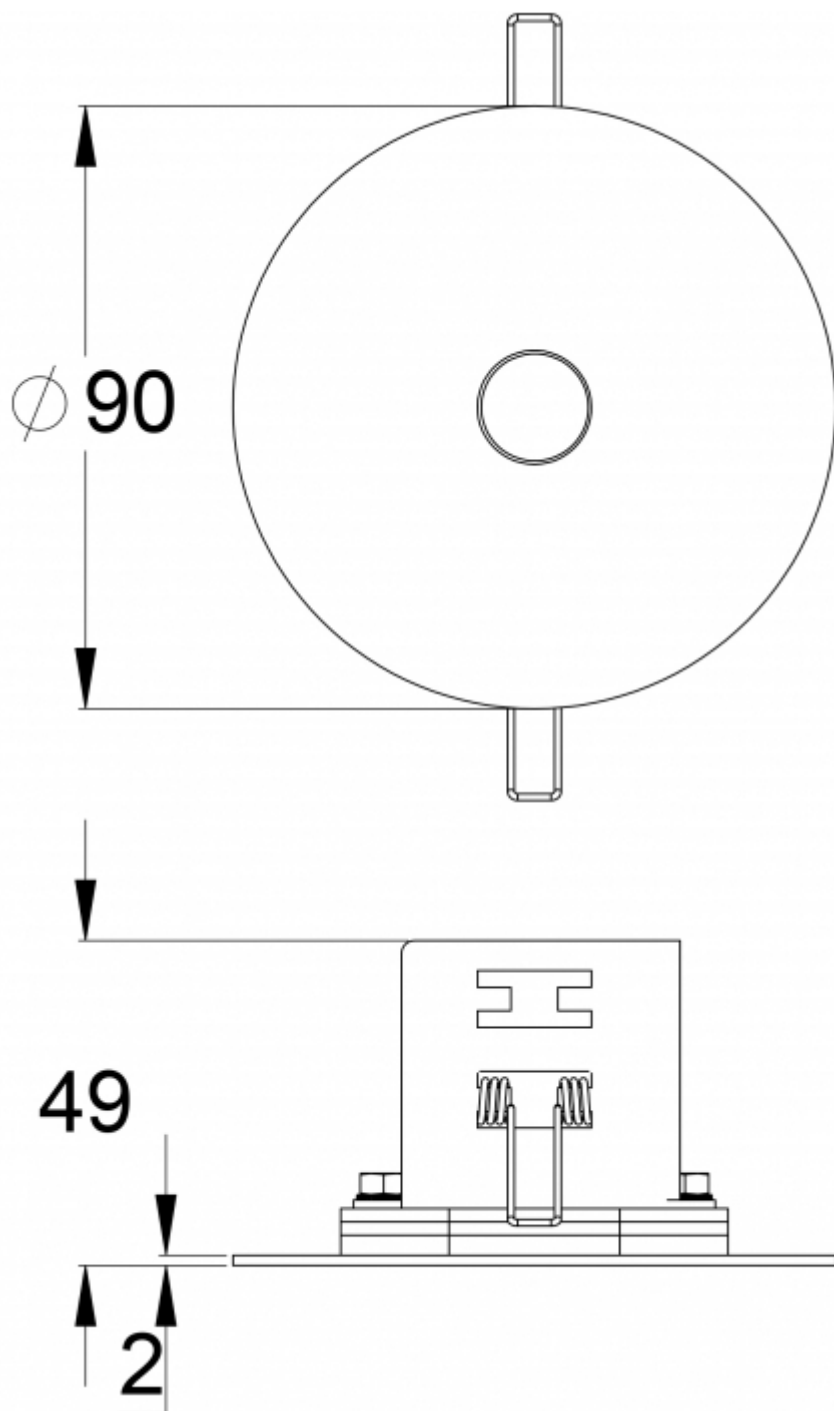
Mounting height (m)	A1 (m)	A2 (m)	D1 (m)	D2 (m)
			5 lux	5 lux
2,5	1	1,5	1,5	2
2,5	1,5	1,4	1,6	2,1
2,5	2,0	0,9	1,4	1,8
3	1	2	1,5	2
3	1,5	1,9	1,6	2,1
3	2,0	1,4	1,4	1,8



We reserve the rights to make modifications without notice.
Copyright © 2021 Teknoware. All rights reserved.
Date: January 07, 2021 | Source:
www.teknoware.com/en/emergency-lighting/slimspot-ii-angle-emergency-light-twsd192wm

Teknoware Oy | P.O. Box 19, 15101 Lahti | Ilmarisentie 8, 15200 Lahti Finland
Tel +358 3 883 020 | VAT-number FI01494751 | teknoware.com | emexit@teknoware.com



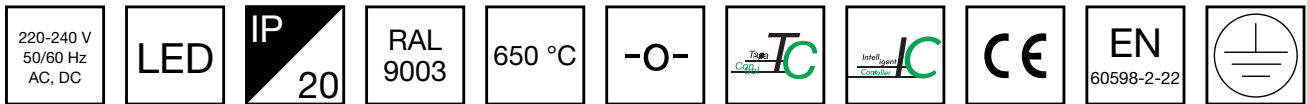


We reserve the rights to make modifications without notice.
Copyright © 2021 Teknoware. All rights reserved.
Date: January 07, 2021 | Source:
www.teknoware.com/en/emergency-lighting/slimspot-ii-angle-emergency-light-twsd192wm

Teknoware Oy | P.O. Box 19, 15101 Lahti | Ilmarisentie 8, 15200 Lahti Finland
Tel +358 3 883 020 | VAT-number FI01494751 | teknoware.com | emexit@teknoware.com



SLIMSPOT II ANGLE EMERGENCY LIGHT TWTD151WK



Addressable 230 V centrally supplied emergency light

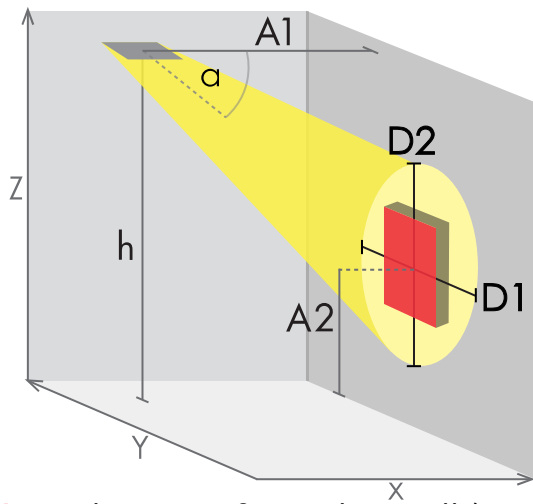
Slimspot II is a recessed emergency light that is effective and seamless. It has an elegant and minimalist appearance, so it blends in with the surroundings and architecture. The broad Slimspot II product family and range of optics offers many options to suit a variety of applications and systems. Slimspot II is designed for indoor lighting, and it has durable metal framing. The standard colour of the luminaire is white. On request, it is also possible to order Slimspot II in black and grey to match the surrounding environment.

The Slimspot II Angle provides an angled light pattern that illuminates fire and safety equipment (such as fire alarm call points, first aid stations, firefighting equipment and panels) vertically with 5 lux according to EN 1838.

Product Code	TWTD151WK
Feature	Intelligent Controller, Tapsa Control
Mounting (standard)	recess
Customs Code	94056080
GTIN Code	6438045026732
ETIM Product Class	EC001957
Length	90 mm
Width	90 mm
Height	46 mm
Weight	0.4 kg
Max Input Power VA	10 VA
Max Input Power W	5,5 W
Nominal Supply Voltage	220-240 V, 50/60 Hz AC, DC
Protection Class	I
IP Class	IP20
Temperature Range Min - Max	-30...+50 °C
Glow Wire Test of Plastic Materials	650 °C
Light Source	LED
Body Material	metal
Aperture for Recess Mounting	ø75 mm
Colour	RAL9003
Electrical Installation	3 x 2,5 mm ²
Luminous Flux	150 lm

Light distribution chart of angled light

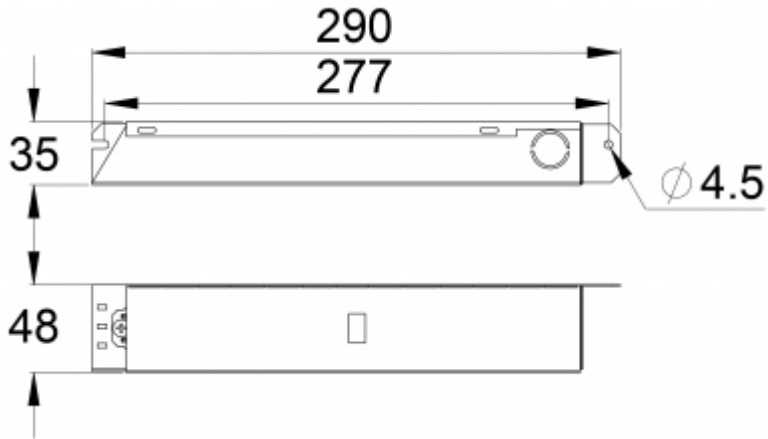
| Area in which a minimum vertical illuminance of 5 lx is achieved



A1 distance from the wall (X axis)
 A2 distance from the floor (Z axis)
 D1 pattern width (Y axis)
 D2 pattern height (Z axis)

TWTD151WK

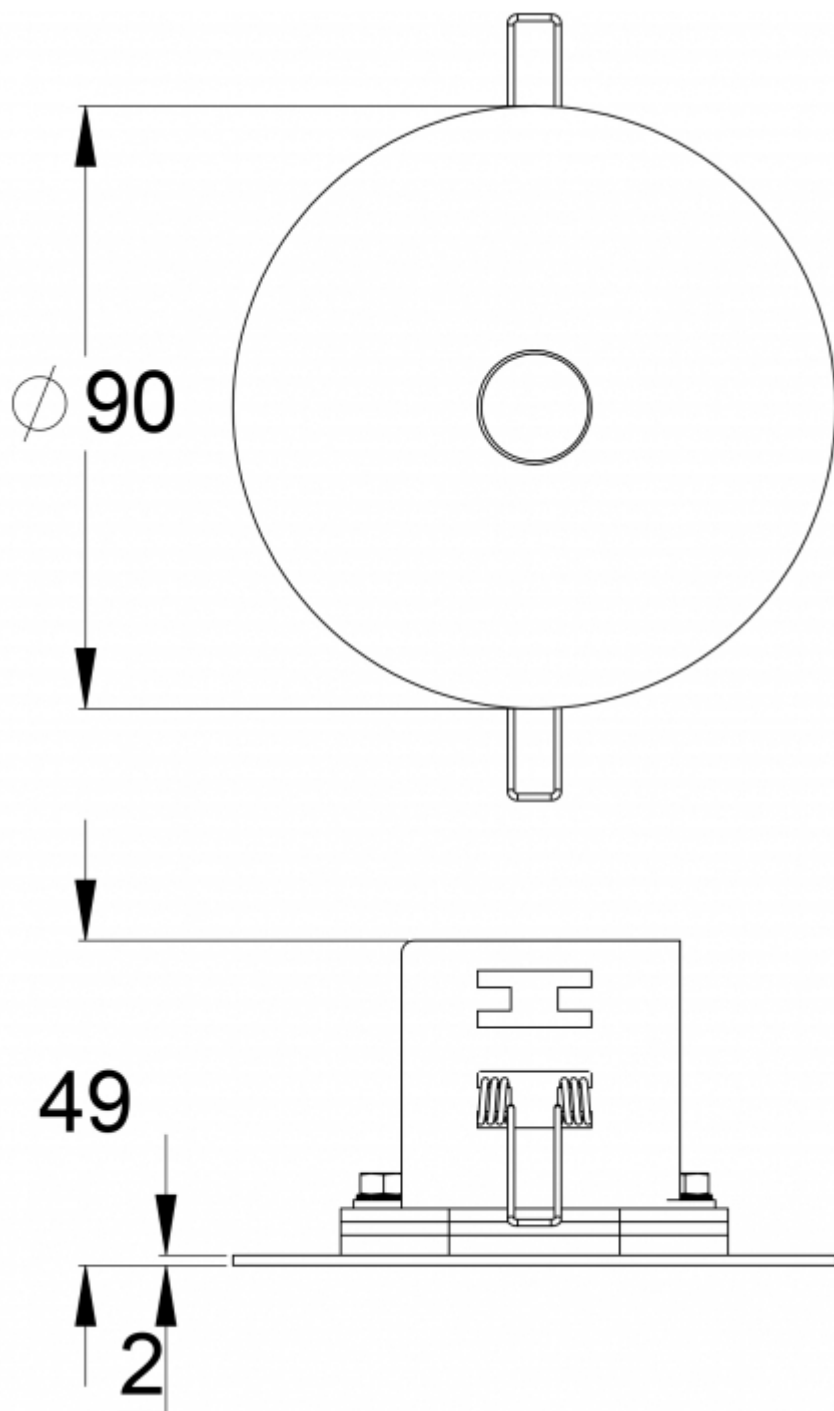
Mounting height (m)	A1 (m)	A2 (m)	D1 (m)	D2 (m)
			5 lux	5 lux
2,5	1	1.2	2.1	2.4
2,5	1,5	1	2.4	2.3
2,5	2,0	1	2.6	2.1
3	1	1.8	2.1	2.3
3	1,5	1.5	2.4	2.7
3	2,0	1.3	2.7	2.6
4	2,5	1.8	2.8	3.3
4	3,0	1.6	2.8	3.1
4	3,5	1.4	2.6	2.8



We reserve the rights to make modifications without notice.
Copyright © 2021 Teknoware. All rights reserved.
Date: January 07, 2021 | Source:
www.teknoware.com/en/emergency-lighting/slimspot-ii-angle-emergency-light-twtd151wk

Teknoware Oy | P.O. Box 19, 15101 Lahti | Ilmarisentie 8, 15200 Lahti Finland
Tel +358 3 883 020 | VAT-number FI01494751 | teknoware.com | emexit@teknoware.com



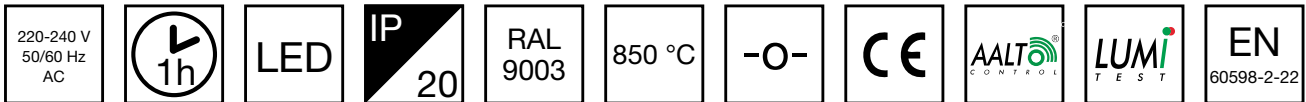


We reserve the rights to make modifications without notice.
Copyright © 2021 Teknoware. All rights reserved.
Date: January 07, 2021 | Source:
www.teknoware.com/en/emergency-lighting/slimspot-ii-angle-emergency-light-twtd151wk

Teknoware Oy | P.O. Box 19, 15101 Lahti | Ilmarisentie 8, 15200 Lahti Finland
Tel +358 3 883 020 | VAT-number FI01494751 | teknoware.com | emexit@teknoware.com

 **TEKNOWARE[®]**

SLIMSPOT II ANGLE EMERGENCY LIGHT TWTD152WA



Self-contained emergency light with 1 h battery and wireless central monitoring

Slimspot II is a recessed emergency light that is effective and seamless. It has an elegant and minimalist appearance, so it blends in with the surroundings and architecture. The broad Slimspot II product family and range of optics offers many options to suit a variety of applications and systems. Slimspot II is designed for indoor lighting, and it has durable metal framing. The standard colour of the luminaire is white. On request, it is also possible to order Slimspot II in black and grey to match the surrounding environment.

The Slimspot II Angle provides an angled light pattern that illuminates fire and safety equipment (such as fire alarm call points, first aid stations, firefighting equipment and panels) vertically with 5 lux according to EN 1838.

We reserve the rights to make modifications without notice.
Copyright © 2021 Teknoware. All rights reserved.
Date: January 07, 2021 | Source:
www.teknoware.com/en/emergency-lighting/slimspot-ii-angle-emergency-light-twtd152wa

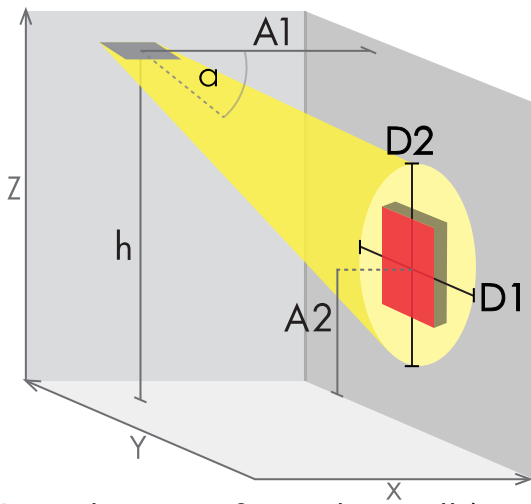


Teknoware Oy | P.O. Box 19, 15101 Lahti | Ilmarisentie 8, 15200 Lahti Finland
Tel +358 3 883 020 | VAT-number FI01494751 | teknoware.com | emexit@teknoware.com

Product Code	TWTD152WA
Feature	Aalto Control, Lumi Test
Mounting (standard)	recess
Customs Code	94056080
GTIN Code	6438045026756
ETIM Product Class	EC001957
Length	90 mm
Width	90 mm
Height	46 mm
Weight	0.6 kg
Backup	1 h
Max Input Power VA	3 VA
Nominal Supply Voltage	220-240 V, 50/60 Hz AC
Protection Class	I
IP Class	IP20
Temperature Range Min - Max	0...+35 °C
Glow Wire Test of Plastic Materials	850 °C
Light Source	LED
Body Material	metal
Aperture for Recess Mounting	ø75 mm
Colour	RAL9003
Electrical Installation	3 x 2,5 mm ²
Luminous Flux	150 lm

Light distribution chart of angled light

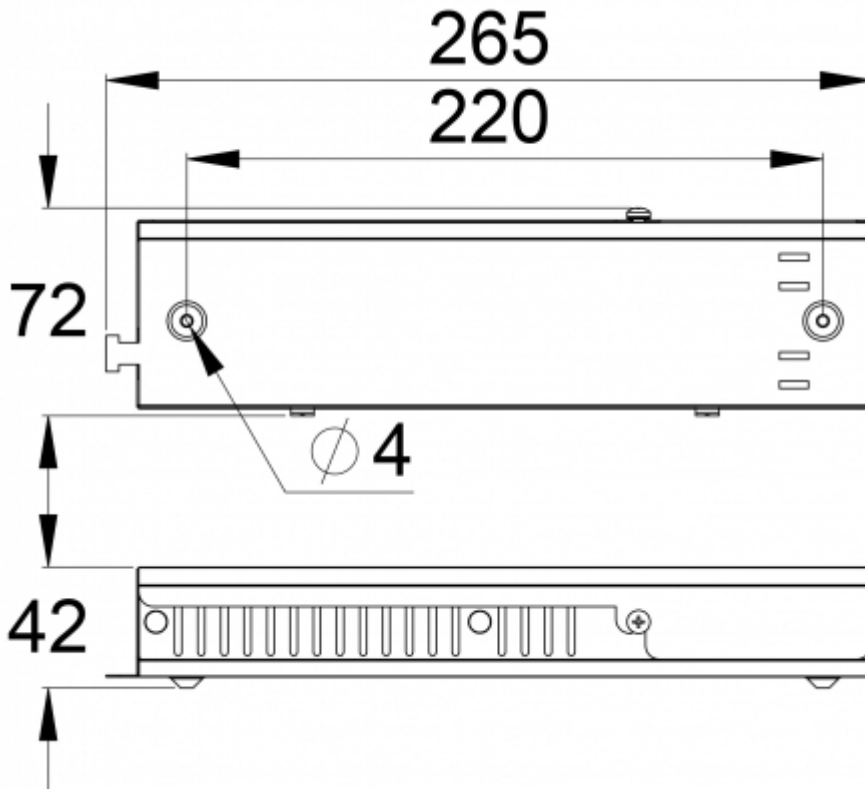
| Area in which a minimum vertical illuminance of 5 lx is achieved



A1 distance from the wall (X axis)
 A2 distance from the floor (Z axis)
 D1 pattern width (Y axis)
 D2 pattern height (Z axis)

TWTD152WA

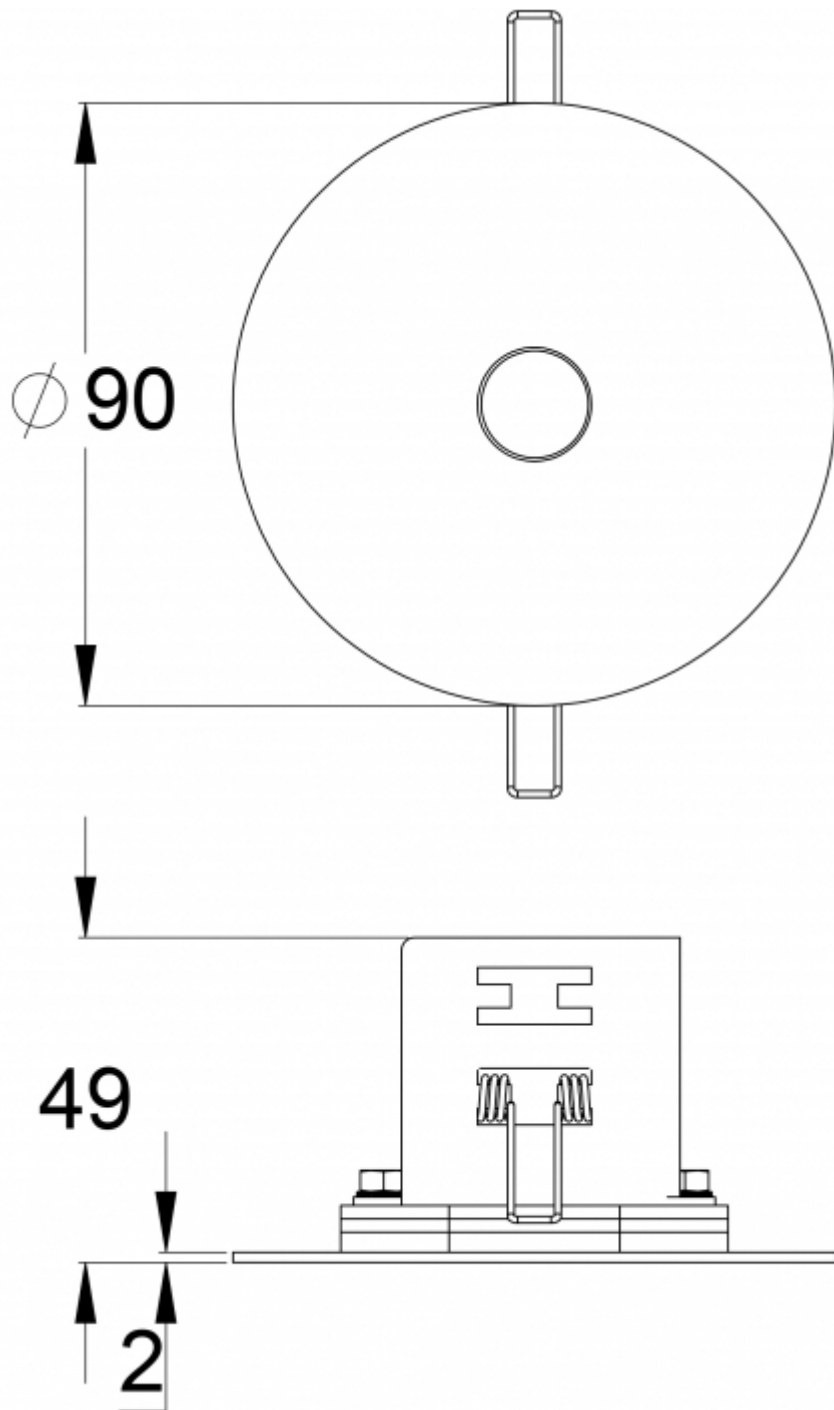
Mounting height (m)	A1 (m)	A2 (m)	D1 (m)	D2 (m)
			5 lux	5 lux
2,5	1	1.2	2.1	2.4
2,5	1,5	1	2.4	2.3
2,5	2,0	1	2.6	2.1
3	1	1.8	2.1	2.3
3	1,5	1.5	2.4	2.7
3	2,0	1.3	2.7	2.6
4	2,5	1.8	2.8	3.3
4	3,0	1.6	2.8	3.1
4	3,5	1.4	2.6	2.8



We reserve the rights to make modifications without notice.
Copyright © 2021 Teknoware. All rights reserved.
Date: January 07, 2021 | Source:
www.teknoware.com/en/emergency-lighting/slimspot-ii-angle-emergency-light-twtd152wa

Teknoware Oy | P.O. Box 19, 15101 Lahti | Ilmarisentie 8, 15200 Lahti Finland
Tel +358 3 883 020 | VAT-number FI01494751 | teknoware.com | emexit@teknoware.com



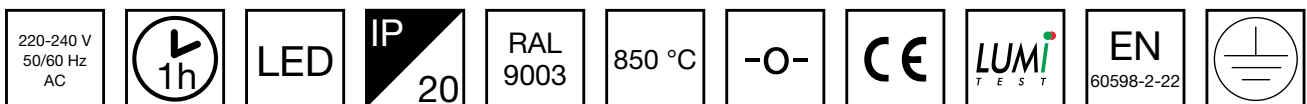


We reserve the rights to make modifications without notice.
Copyright © 2021 Teknoware. All rights reserved.
Date: January 07, 2021 | Source:
www.teknoware.com/en/emergency-lighting/slimspot-ii-angle-emergency-light-twtd152wa

Teknoware Oy | P.O. Box 19, 15101 Lahti | Ilmarisentie 8, 15200 Lahti Finland
Tel +358 3 883 020 | VAT-number FI01494751 | teknoware.com | emexit@teknoware.com

 **TEKNOWARE[®]**

SLIMSPOT II ANGLE EMERGENCY LIGHT TWTD152WM



Self-contained emergency light with 1 h battery and Lumi Test self-testing

Slimspot II is a recessed emergency light that is effective and seamless. It has an elegant and minimalist appearance, so it blends in with the surroundings and architecture. The broad Slimspot II product family and range of optics offers many options to suit a variety of applications and systems. Slimspot II is designed for indoor lighting, and it has durable metal framing. The standard colour of the luminaire is white. On request, it is also possible to order Slimspot II in black and grey to match the surrounding environment.

The Slimspot II Angle provides an angled light pattern that illuminates fire and safety equipment (such as fire alarm call points, first aid stations, firefighting equipment and panels) vertically with 5 lux according to EN 1838.

We reserve the rights to make modifications without notice.
Copyright © 2021 Teknoware. All rights reserved.
Date: January 07, 2021 | Source:
www.teknoware.com/en/emergency-lighting/slimspot-ii-angle-emergency-light-twtd152wm

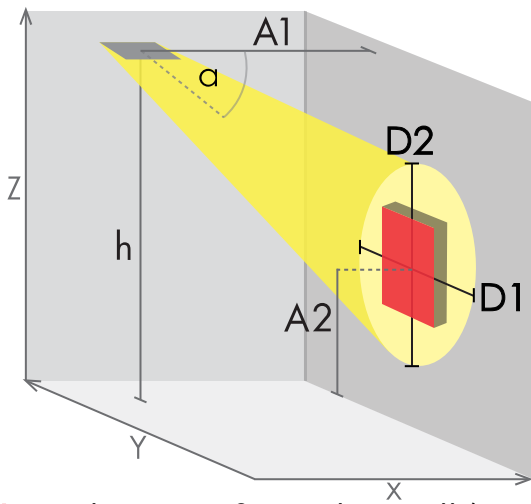
Teknoware Oy | P.O. Box 19, 15101 Lahti | Ilmarisentie 8, 15200 Lahti Finland
Tel +358 3 883 020 | VAT-number FI01494751 | teknoware.com | emexit@teknoware.com



Product Code	TWTD152WM
Feature	Lumi Test
Mounting (standard)	recess
Customs Code	94056080
GTIN Code	6438045026749
ETIM Product Class	EC001957
Length	90 mm
Width	90 mm
Height	46 mm
Weight	0.6 kg
Backup	1 h
Max Input Power VA	3 VA
Nominal Supply Voltage	220-240 V, 50/60 Hz AC
Protection Class	I
IP Class	IP20
Temperature Range Min - Max	0...+35 °C
Glow Wire Test of Plastic Materials	850 °C
Light Source	LED
Body Material	metal
Aperture for Recess Mounting	ø75 mm
Colour	RAL9003
Electrical Installation	3 x 2,5 mm ²
Luminous Flux	150 lm

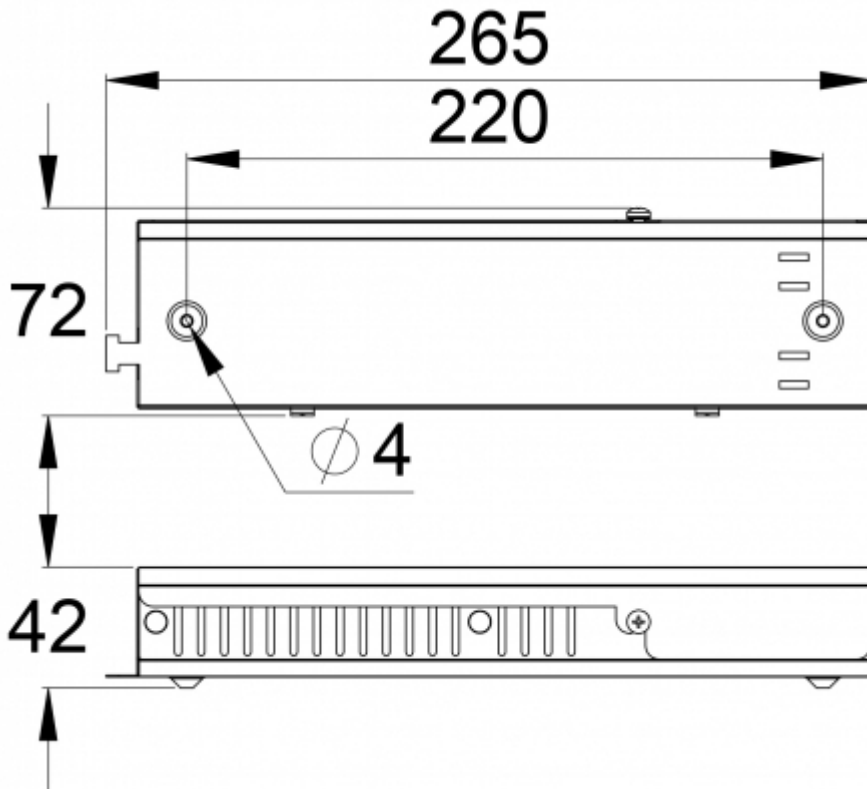
Light distribution chart of angled light

| Area in which a minimum vertical illuminance of 5 lx is achieved



A1 distance from the wall (X axis)
 A2 distance from the floor (Z axis)
 D1 pattern width (Y axis)
 D2 pattern height (Z axis)
TWTD152WM

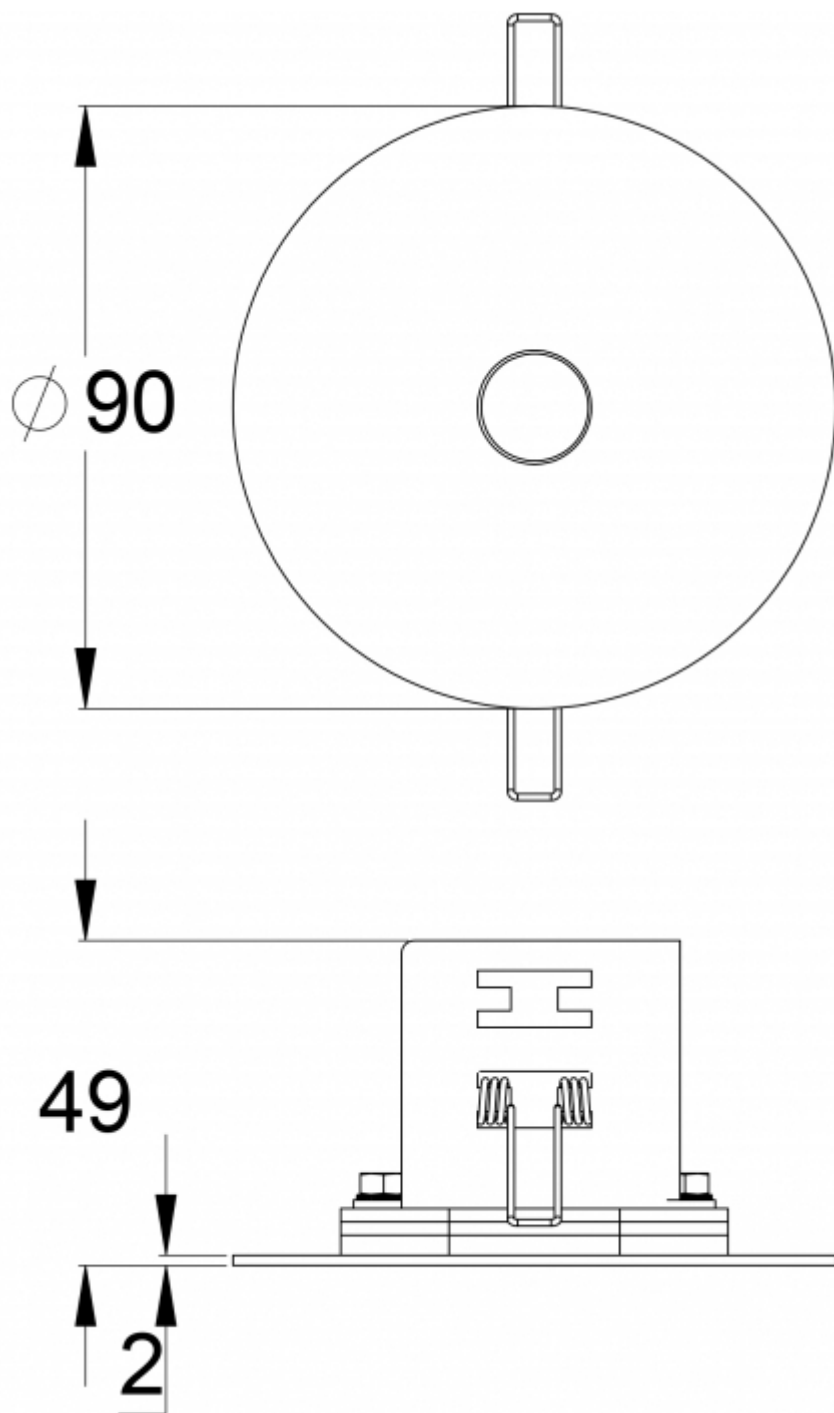
Mounting height (m)	A1 (m)	A2 (m)	D1 (m)	D2 (m)
			5 lux	5 lux
2,5	1	1.2	2.1	2.4
2,5	1,5	1	2.4	2.3
2,5	2,0	1	2.6	2.1
3	1	1.8	2.1	2.3
3	1,5	1.5	2.4	2.7
3	2,0	1.3	2.7	2.6
4	2,5	1.8	2.8	3.3
4	3,0	1.6	2.8	3.1
4	3,5	1.4	2.6	2.8



We reserve the rights to make modifications without notice.
Copyright © 2021 Teknoware. All rights reserved.
Date: January 07, 2021 | Source:
www.teknoware.com/en/emergency-lighting/slimspot-ii-angle-emergency-light-twtd152wm

Teknoware Oy | P.O. Box 19, 15101 Lahti | Ilmarisentie 8, 15200 Lahti Finland
Tel +358 3 883 020 | VAT-number FI01494751 | teknoware.com | emexit@teknoware.com



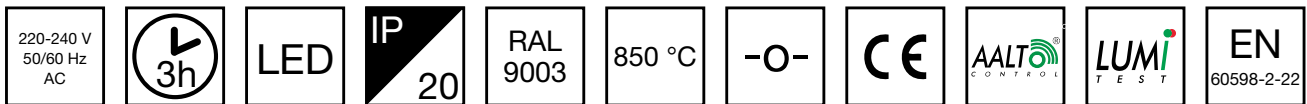


We reserve the rights to make modifications without notice.
Copyright © 2021 Teknoware. All rights reserved.
Date: January 07, 2021 | Source:
www.teknoware.com/en/emergency-lighting/slimspot-ii-angle-emergency-light-twtd152wm

Teknoware Oy | P.O. Box 19, 15101 Lahti | Ilmarisentie 8, 15200 Lahti Finland
Tel +358 3 883 020 | VAT-number FI01494751 | teknoware.com | emexit@teknoware.com



SLIMSPOT II ANGLE EMERGENCY LIGHT TWTD153WA



Self-contained 3 h battery, Aalto Control compatible emergency light

Slimspot II is a recessed emergency light that is effective and seamless. It has an elegant and minimalist appearance, so it blends in with the surroundings and architecture. The broad Slimspot II product family and range of optics offers many options to suit a variety of applications and systems. Slimspot II is designed for indoor lighting, and it has durable metal framing. The standard colour of the luminaire is white. On request, it is also possible to order Slimspot II in black and grey to match the surrounding environment.

The Slimspot II Angle provides an angled light pattern that illuminates fire and safety equipment (such as fire alarm call points, first aid stations, firefighting equipment and panels) vertically with 5 lux according to EN 1838.

We reserve the rights to make modifications without notice.
Copyright © 2021 Teknoware. All rights reserved.
Date: January 07, 2021 | Source:
www.teknoware.com/en/emergency-lighting/slimspot-ii-angle-emergency-light-twtd153wa

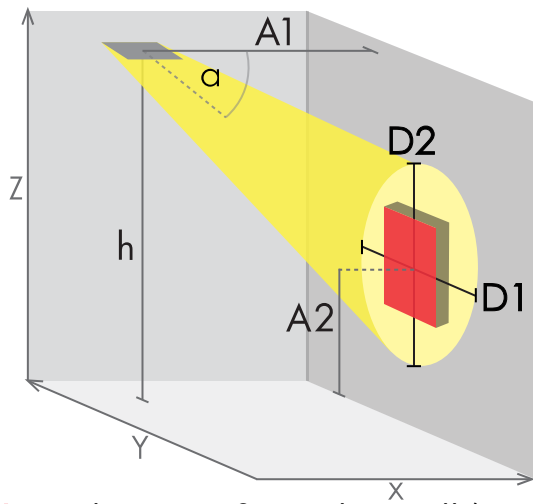


Teknoware Oy | P.O. Box 19, 15101 Lahti | Ilmarisentie 8, 15200 Lahti Finland
Tel +358 3 883 020 | VAT-number FI01494751 | teknoware.com | emexit@teknoware.com

Product Code	TWTD153WA
Feature	Aalto Control, Lumi Test
Mounting (standard)	recess
Customs Code	94056080
GTIN Code	6438045026770
ETIM Product Class	EC001957
Length	90 mm
Width	90 mm
Height	46 mm
Weight	0.8 kg
Backup	3 h
Max Input Power VA	6 VA
Nominal Supply Voltage	220-240 V, 50/60 Hz AC
Protection Class	I
IP Class	IP20
Temperature Range Min - Max	0...+35 °C
Glow Wire Test of Plastic Materials	850 °C
Light Source	LED
Body Material	metal
Aperture for Recess Mounting	ø75 mm
Colour	RAL9003
Electrical Installation	3 x 2,5 mm ²
Luminous Flux	150 lm

Light distribution chart of angled light

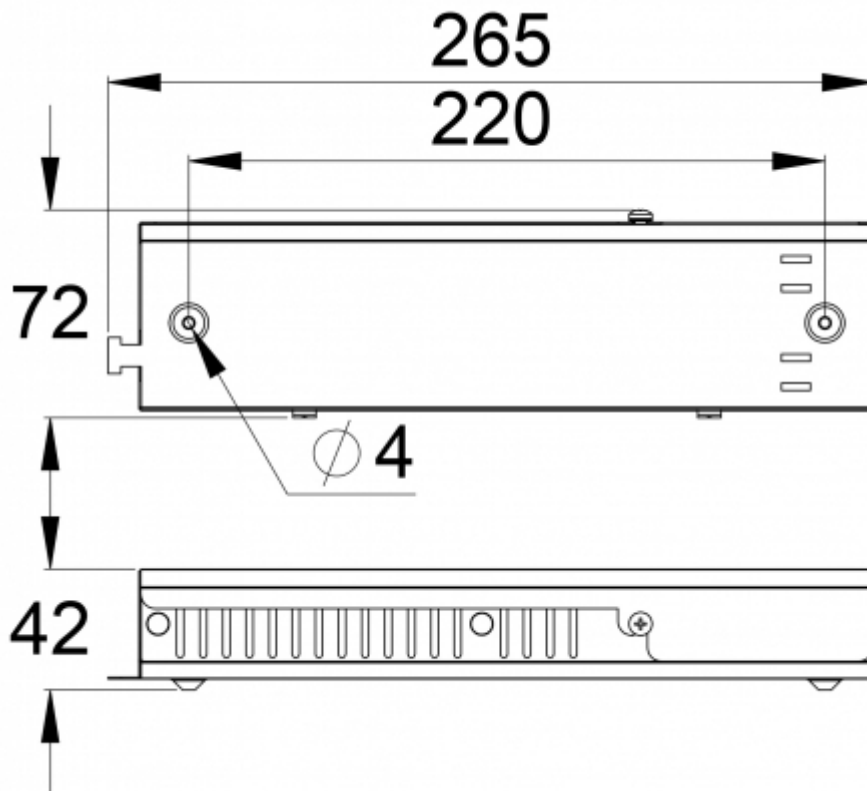
| Area in which a minimum vertical illuminance of 5 lx is achieved



A1 distance from the wall (X axis)
 A2 distance from the floor (Z axis)
 D1 pattern width (Y axis)
 D2 pattern height (Z axis)

TWTD153WA

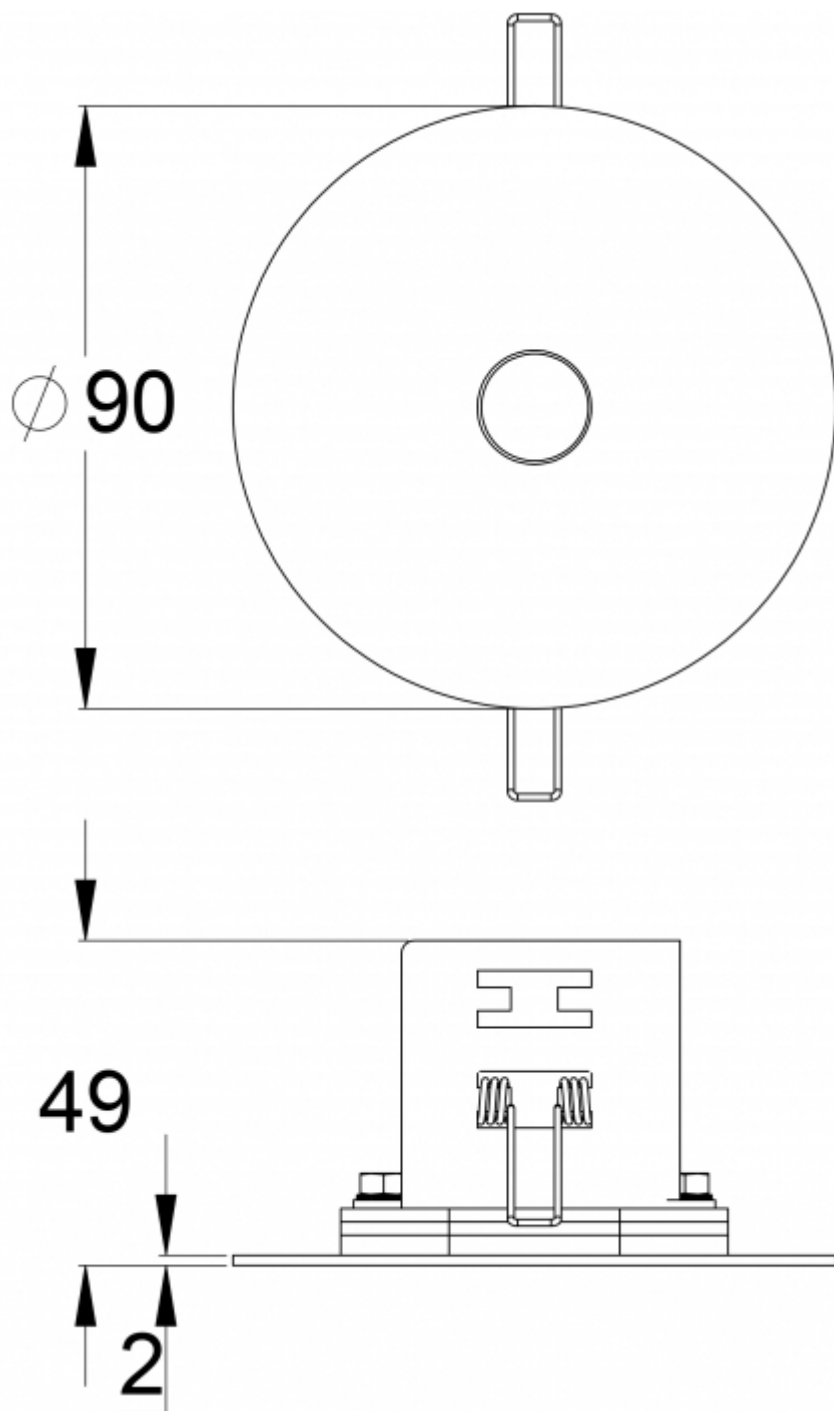
Mounting height (m)	A1 (m)	A2 (m)	D1 (m)	D2 (m)
			5 lux	5 lux
2,5	1	1.2	2.1	2.4
2,5	1,5	1	2.4	2.3
2,5	2,0	1	2.6	2.1
3	1	1.8	2.1	2.3
3	1,5	1.5	2.4	2.7
3	2,0	1.3	2.7	2.6
4	2,5	1.8	2.8	3.3
4	3,0	1.6	2.8	3.1
4	3,5	1.4	2.6	2.8



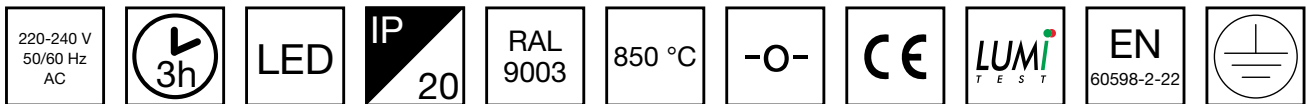
We reserve the rights to make modifications without notice.
Copyright © 2021 Teknoware. All rights reserved.
Date: January 07, 2021 | Source:
www.teknoware.com/en/emergency-lighting/slimspot-ii-angle-emergency-light-twtd153wa

Teknoware Oy | P.O. Box 19, 15101 Lahti | Ilmarisentie 8, 15200 Lahti Finland
Tel +358 3 883 020 | VAT-number FI01494751 | teknoware.com | emexit@teknoware.com





SLIMSPOT II ANGLE EMERGENCY LIGHT TWTD153WM



Self-contained 3 h battery with Lumi Test self-testing emergency light

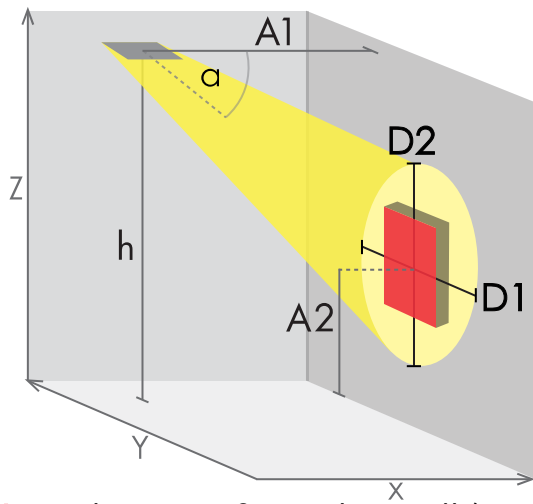
Slimspot II is a recessed emergency light that is effective and seamless. It has an elegant and minimalist appearance, so it blends in with the surroundings and architecture. The broad Slimspot II product family and range of optics offers many options to suit a variety of applications and systems. Slimspot II is designed for indoor lighting, and it has durable metal framing. The standard colour of the luminaire is white. On request, it is also possible to order Slimspot II in black and grey to match the surrounding environment.

The Slimspot II Angle provides an angled light pattern that illuminates fire and safety equipment (such as fire alarm call points, first aid stations, firefighting equipment and panels) vertically with 5 lux according to EN 1838.

Product Code	TWTD153WM
Feature	Lumi Test
Mounting (standard)	recess
Customs Code	94056080
GTIN Code	6438045026763
ETIM Product Class	EC001957
Length	90 mm
Width	90 mm
Height	46 mm
Weight	0.8 kg
Backup	3 h
Max Input Power VA	6 VA
Nominal Supply Voltage	220-240 V, 50/60 Hz AC
Protection Class	I
IP Class	IP20
Temperature Range Min - Max	0...+35 °C
Glow Wire Test of Plastic Materials	850 °C
Light Source	LED
Body Material	metal
Aperture for Recess Mounting	ø75 mm
Colour	RAL9003
Electrical Installation	3 x 2,5 mm ²
Luminous Flux	150 lm

Light distribution chart of angled light

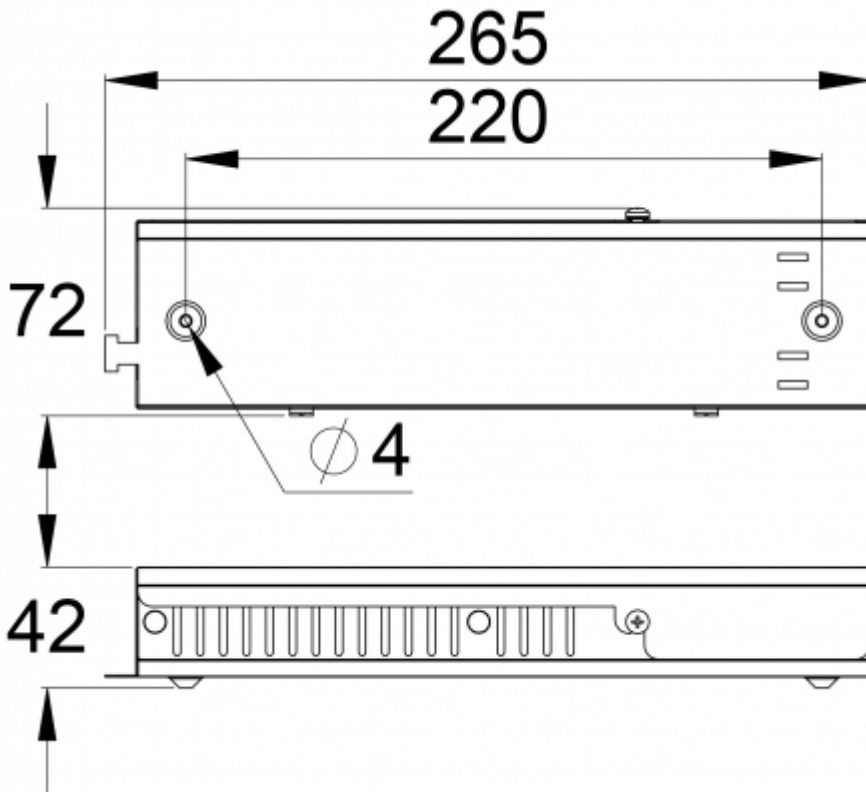
| Area in which a minimum vertical illuminance of 5 lx is achieved

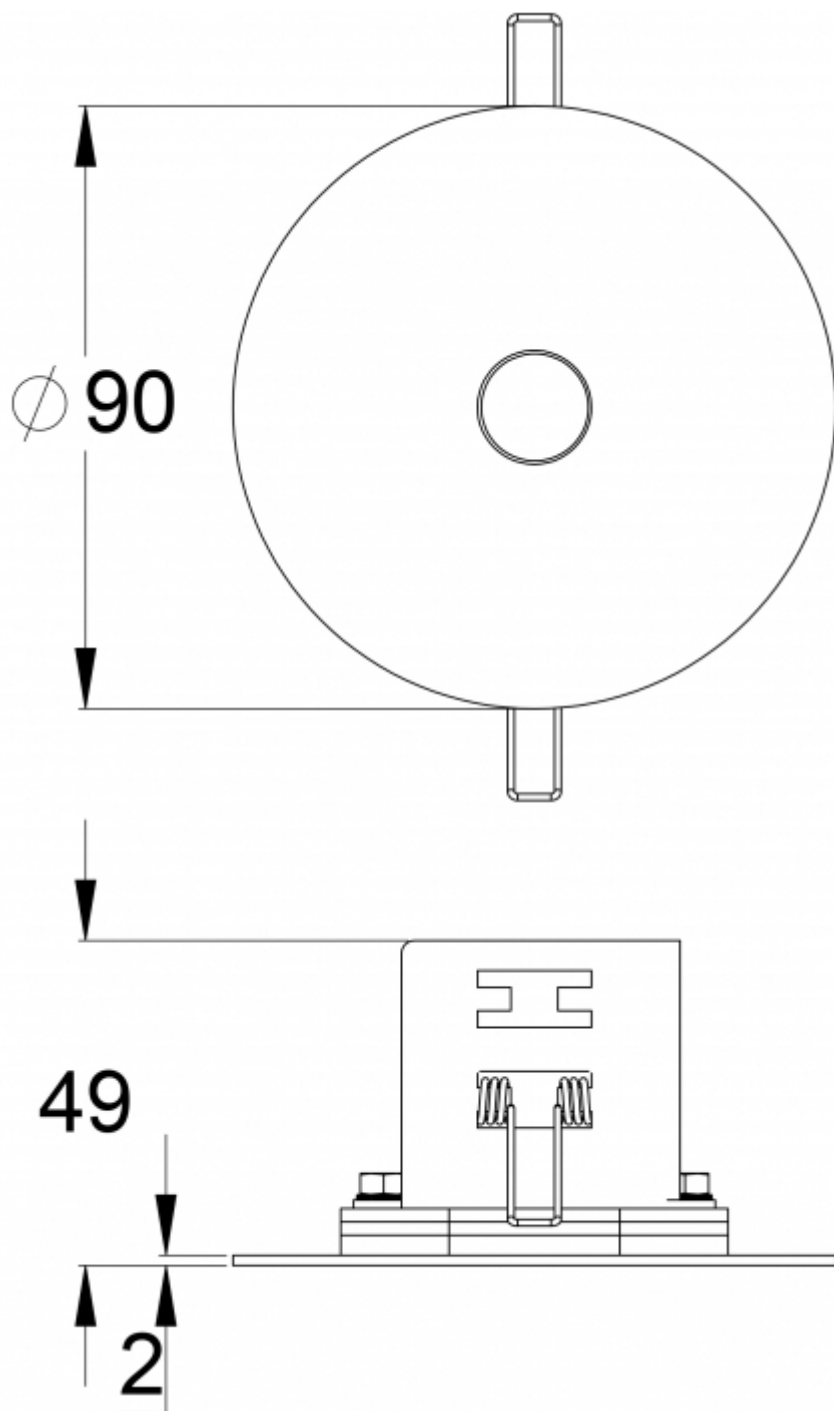


A1 distance from the wall (X axis)
 A2 distance from the floor (Z axis)
 D1 pattern width (Y axis)
 D2 pattern height (Z axis)

TWTD153WM

Mounting height (m)	A1 (m)	A2 (m)	D1 (m)	D2 (m)
			5 lux	5 lux
2,5	1	1.2	2.1	2.4
2,5	1,5	1	2.4	2.3
2,5	2,0	1	2.6	2.1
3	1	1.8	2.1	2.3
3	1,5	1.5	2.4	2.7
3	2,0	1.3	2.7	2.6
4	2,5	1.8	2.8	3.3
4	3,0	1.6	2.8	3.1
4	3,5	1.4	2.6	2.8



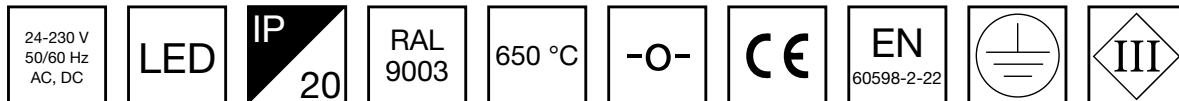


We reserve the rights to make modifications without notice.
Copyright © 2021 Teknoware. All rights reserved.
Date: January 07, 2021 | Source:
www.teknoware.com/en/emergency-lighting/slimspot-ii-angle-emergency-light-twtd153wm

Teknoware Oy | P.O. Box 19, 15101 Lahti | Ilmarisentie 8, 15200 Lahti Finland
Tel +358 3 883 020 | VAT-number FI01494751 | teknoware.com | emexit@teknoware.com



SLIMSPOT II ANGLE EMERGENCY LIGHT TWTD171W



24-230 V centrally supplied emergency light

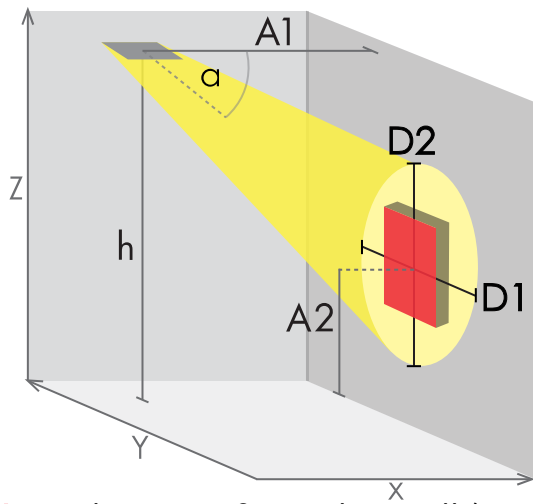
Slimspot II is a recessed emergency light that is effective and seamless. It has an elegant and minimalist appearance, so it blends in with the surroundings and architecture. The broad Slimspot II product family and range of optics offers many options to suit a variety of applications and systems. Slimspot II is designed for indoor lighting, and it has durable metal framing. The standard colour of the luminaire is white. On request, it is also possible to order Slimspot II in black and grey to match the surrounding environment.

The Slimspot II Angle provides an angled light pattern that illuminates fire and safety equipment (such as fire alarm call points, first aid stations, firefighting equipment and panels) vertically with 5 lux according to EN 1838.

Product Code	TWTD171W
Mounting (standard)	recess
Customs Code	94056080
GTIN Code	6438045026787
ETIM Product Class	EC001957
Length	90 mm
Width	90 mm
Height	46 mm
Weight	0.4 kg
Max Input Power VA	7,5 VA (24 V), 11 VA (230 V)
Max Input Power W	4 W (24 V), 4 W (230 V)
Nominal Supply Voltage	24-230 V, 50/60 Hz AC, DC
Protection Class	III (24 V), I (230 V)
IP Class	IP20
Temperature Range Min - Max	-30...+50 °C
Glow Wire Test of Plastic Materials	650 °C
Light Source	LED
Body Material	metal
Aperture for Recess Mounting	ø75 mm
Colour	RAL9003
Electrical Installation	2 x 2,5 mm ² (24 V), 3 x 2,5 mm ² (230 V)
Luminous Flux	150 lm

Light distribution chart of angled light

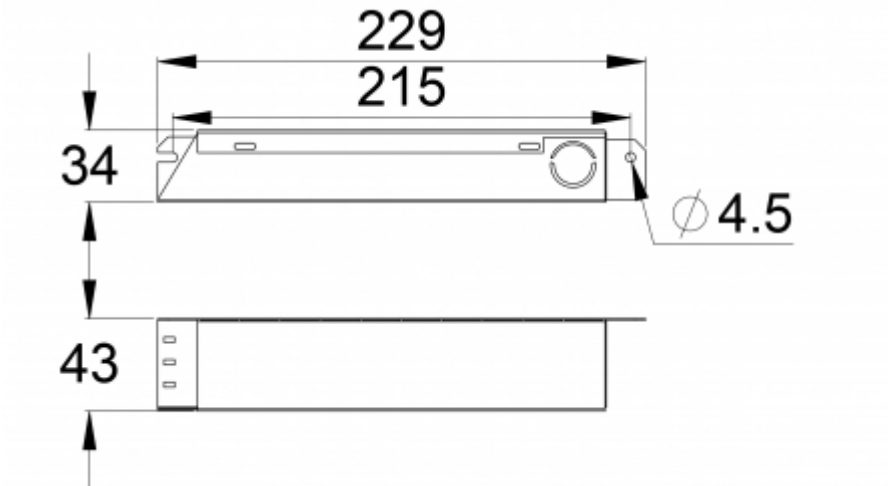
| Area in which a minimum vertical illuminance of 5 lx is achieved



A1 distance from the wall (X axis)
 A2 distance from the floor (Z axis)
 D1 pattern width (Y axis)
 D2 pattern height (Z axis)

TWTD171W

Mounting height (m)	A1 (m)	A2 (m)	D1 (m)	D2 (m)
			5 lux	5 lux
2,5	1	1.2	2.1	2.4
2,5	1,5	1	2.4	2.3
2,5	2,0	1	2.6	2.1
3	1	1.8	2.1	2.3
3	1,5	1.5	2.4	2.7
3	2,0	1.3	2.7	2.6
4	2,5	1.8	2.8	3.3
4	3,0	1.6	2.8	3.1
4	3,5	1.4	2.6	2.8



We reserve the rights to make modifications without notice.

Copyright © 2021 Teknoware. All rights reserved.

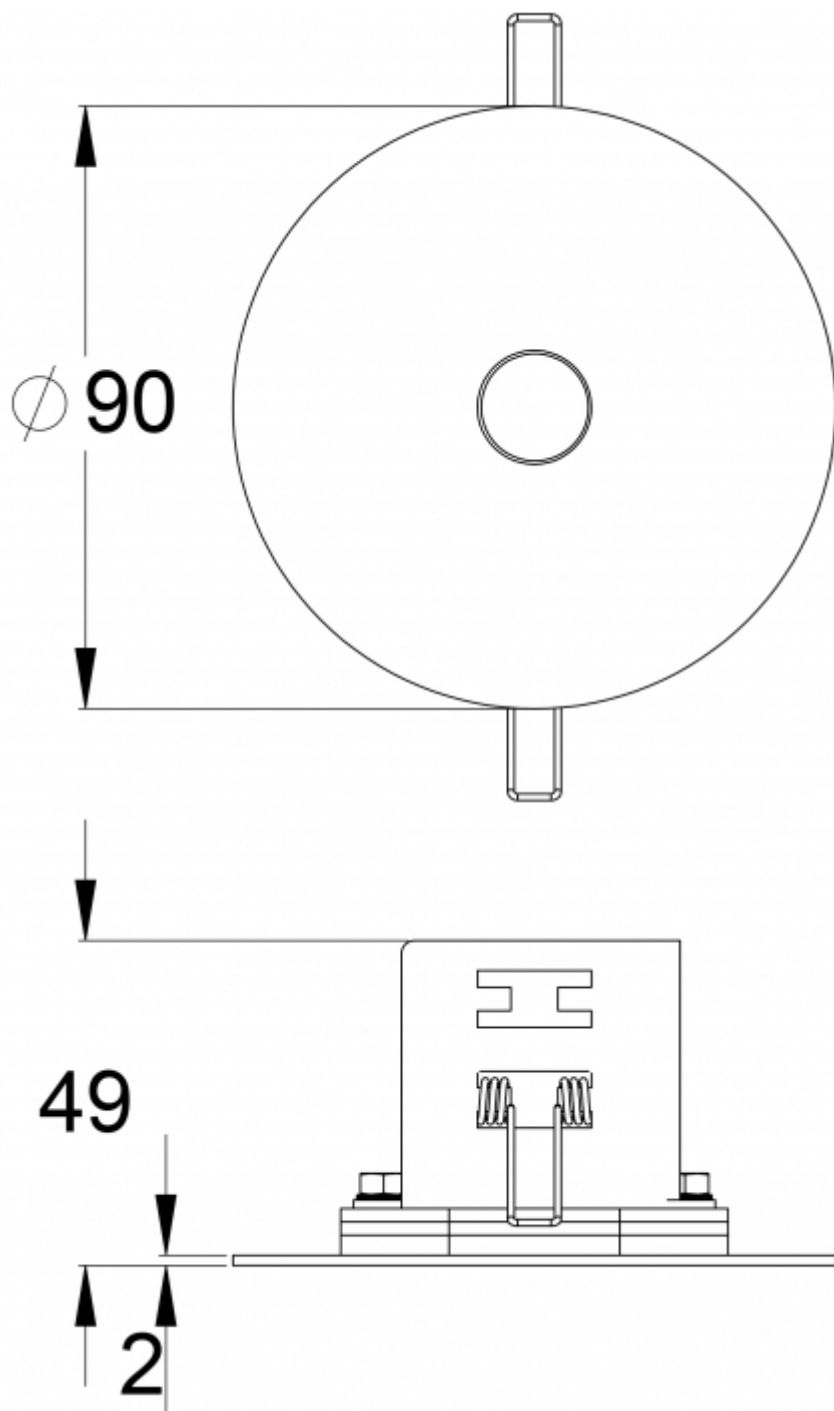
Date: January 07, 2021 | Source:

www.teknoware.com/en/emergency-lighting/slimspot-ii-angle-emergency-light-twtd171w

Teknoware Oy | P.O. Box 19, 15101 Lahti | Ilmarisentie 8, 15200 Lahti Finland

Tel +358 3 883 020 | VAT-number FI01494751 | teknoware.com | emexit@teknoware.com





We reserve the rights to make modifications without notice.
Copyright © 2021 Teknoware. All rights reserved.
Date: January 07, 2021 | Source:
www.teknoware.com/en/emergency-lighting/slimspot-ii-angle-emergency-light-twtd171w

Teknoware Oy | P.O. Box 19, 15101 Lahti | Ilmarisentie 8, 15200 Lahti Finland
Tel +358 3 883 020 | VAT-number FI01494751 | teknoware.com | emexit@teknoware.com

