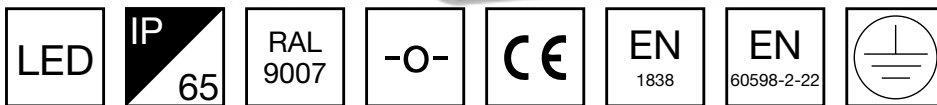


STAMINA: ZONE



Stamina Zone is a versatile and durable emergency light that is designed to be used outdoors in demanding industrial environments, such as tunnels, carports, garages, and loading platforms. Wherever there's a need for a stylish but sturdy luminaire to withstand cold and rough conditions, Stamina is the best choice for you.

Stamina has an impact resistant cast aluminium body (IK10) and it is dust- and waterproof (IP65). Stamina's standard colour is graphite grey (RAL 9007). On request, it is also possible to have Stamina in any RAL-colour you like to match the surrounding environment. Stamina can also be used for general lighting.

The product codes starting with letter Y include an individually packed luminaire. The product codes starting with TW include the luminaire only.

SELF-CONTAINED ESCAP EMERGENCY LIGHTS WITH SUPER CAPACITOR AND SELF-TESTING

| Product Code | Nominal Supply Voltage | Feature | Backup (h) | Form |
|--------------|------------------------|------------------|------------|------|
| TWS5792WMG | 220-240 V, 50/60 Hz AC | Escap, Lumi Test | 1 | |
| TWS5292WM | 220-240 V, 50/60 Hz AC | Escap, Lumi Test | 1 | |

SELF-CONTAINED ESCAP EMERGENCY LIGHTS WITH SUPER CAPACITOR AND WIRELESS CENTRAL MONITORING

| Product Code | Nominal Supply Voltage | Feature | Backup (h) |
|--------------|------------------------|---------------------------------|------------|
| TWS5792WAG | 220-240 V, 50/60 Hz AC | Aalto Control, Escap, Lumi Test | 1 |

We reserve the rights to make modifications without notice.

Copyright © 2021 Teknoware. All rights reserved.

Date: January 05, 2021 | Source:

www.teknoware.com/en/emergency-lighting/emergency-lights/emergency-light-product-families/stamina-zone



| Product Code | Nominal Supply Voltage | Feature | Backup (h) |
|--------------|------------------------|---------------------------------|------------|
| TWS5292WA | 220-240 V, 50/60 Hz AC | Aalto Control, Escap, Lumi Test | 1 |

ADDRESSABLE 230 V CENTRALLY SUPPLIED EMERGENCY LIGHTS

| Product Code | Nominal Supply Voltage | Feature |
|--------------|---------------------------|---------------------------------------|
| TWT5251WK | 220-240 V, 50/60 Hz AC,DC | Intelligent Controller, Tapsa Control |

We reserve the rights to make modifications without notice.

Copyright © 2021 Teknoware. All rights reserved.

Date: January 05, 2021 | Source:

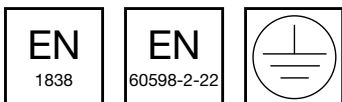
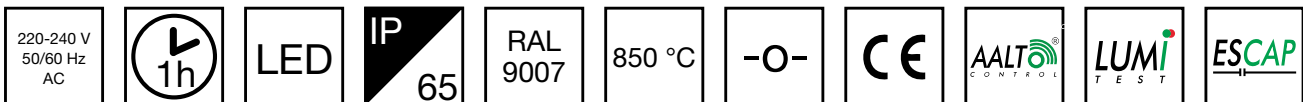
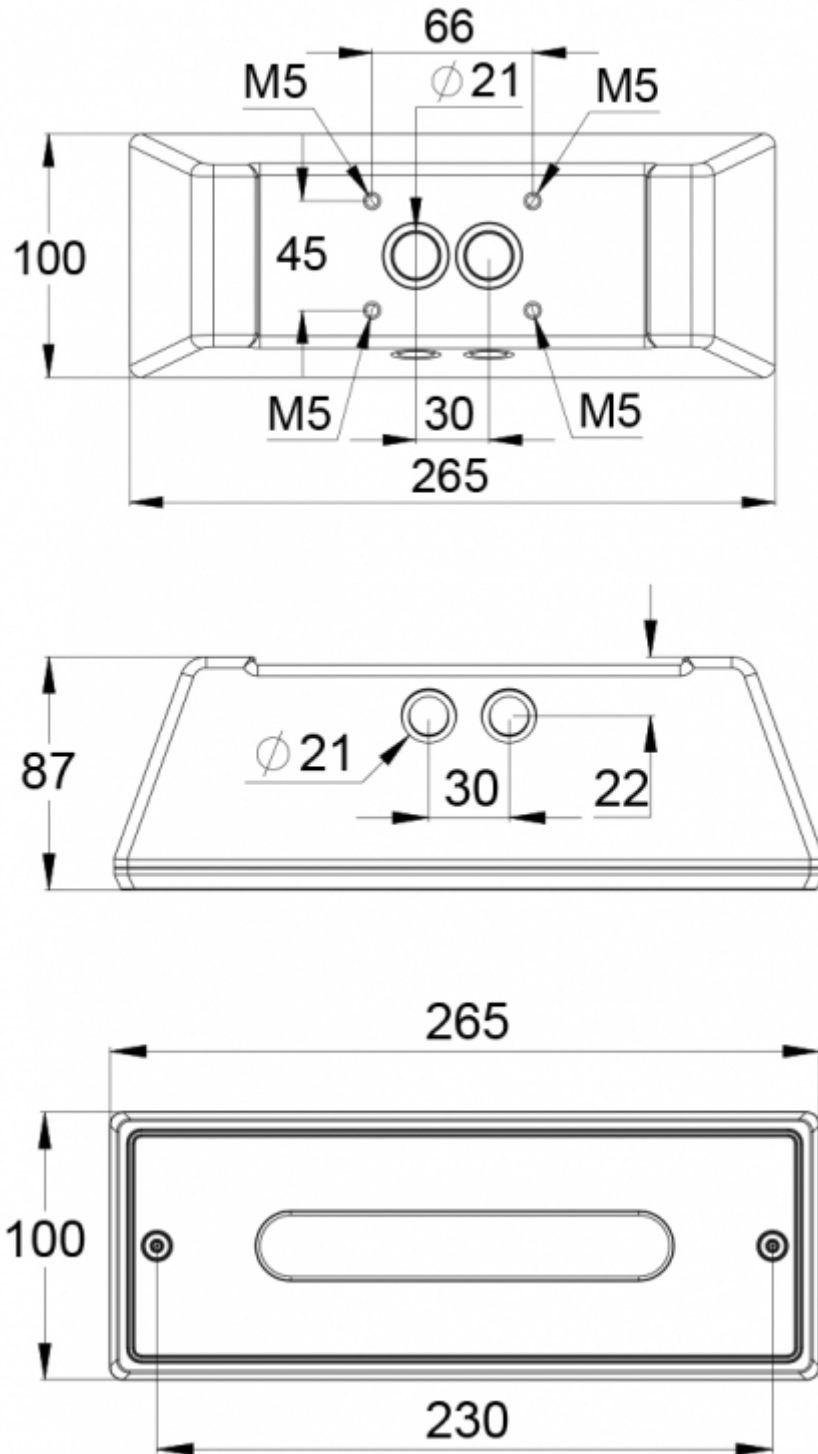
www.teknoware.com/en/emergency-lighting/emergency-lights/emergency-light-product-families/stamina-zone



Teknoware Oy | P.O. Box 19, 15101 Lahti | Ilmarisentie 8, 15200 Lahti Finland

Tel +358 3 883 020 | VAT-number FI01494751 | teknoware.com | emexit@teknoware.com

STAMINA ZONE EMERGENCY LIGHT TWS5792WAG



We reserve the rights to make modifications without notice.
 Copyright © 2021 Teknoware. All rights reserved.
 Date: January 05, 2021 | Source:
www.teknoware.com/en/emergency-lighting/stamina-zone-emergency-light-tws5792wag



Teknoware Oy | P.O. Box 19, 15101 Lahti | Ilmarisentie 8, 15200 Lahti Finland
 Tel +358 3 883 020 | VAT-number FI01494751 | teknoware.com | emexit@teknoware.com

Self-contained Escap emergency light with 1h super capacitor and wireless central monitoring

Stamina is designed to meet demanding needs in challenging environments.

Stamina Zone TWS5792WAG has a dustproof and waterproof (IP65) impact-resistant aluminium casing (IK10). The luminaire has a glass dome, which provides excellent protection against chemicals. The Escap supercapacitor enables the luminaire to function even in freezing temperatures down to -25°C (13°F). The Stamina can be used for general lighting when connected to the mains. The luminaire has several mounting options. This model is equipped with wireless Aalto monitoring and Lumi Test self-testing.

| | |
|-------------------------------------|---------------------------------|
| Product Code | TWS5792WAG |
| Feature | Aalto Control, Escap, Lumi Test |
| Mounting (standard) | wall, ceiling |
| Customs Code | 94056080 |
| GTIN Code | 6438045026367 |
| ETIM Product Class | EC001957 |
| Length | 265 mm |
| Width | 100 mm |
| Height | 87 mm |
| Weight | 1.4 kg |
| Backup | 1 h |
| Max Input Power VA | 11 VA / 3 VA |
| Max Input Power W | 7 W |
| Nominal Supply Voltage | 220-240 V, 50/60 Hz AC |
| Protection Class | I |
| IP Class | IP65 |
| Temperature Range Min - Max | -25...+35 °C |
| Glow Wire Test of Plastic Materials | 850 °C |
| Light Source | LED |
| Body Material | cast aluminium |
| Colour | RAL9007 |
| Electrical Installation | 3/4 x 2,5 mm ² |
| Luminous Flux | 96 lm |

Emergency lighting for open areas (ceiling mounting)

Table of 0,5 lux for open areas according to the norm EN 1838, 0,5 m edge district is considered in the table.

Level of measurement 0,02 m, measurement result with battery operation.

We reserve the rights to make modifications without notice.

Copyright © 2021 Teknoware. All rights reserved.

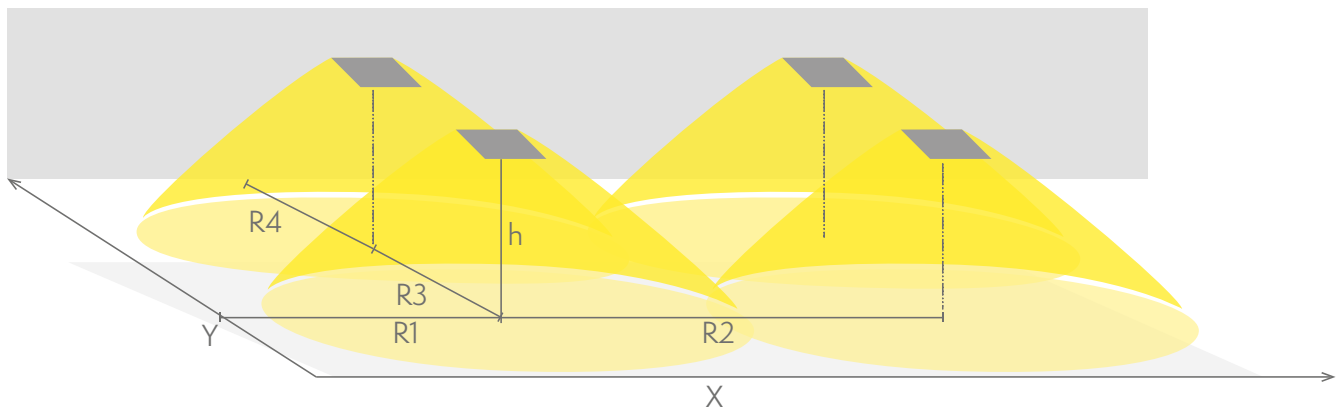
Date: January 05, 2021 | Source:

www.teknoware.com/en/emergency-lighting/stamina-zone-emergency-light-tws5792wag

Teknoware Oy | P.O. Box 19, 15101 Lahti | Ilmarisentie 8, 15200 Lahti Finland

Tel +358 3 883 020 | VAT-number FI01494751 | teknoware.com | emexit@teknoware.com





- R1 distance from wall (X axis)
- R2 installation distance between lights (X axis)
- R3 installation distance between lights (Y axis)
- R4 distance from wall (Y axis)

TWS5792WAG

| Mounting height (m) | Below the light lux | R1 (m) | R2 (m) | R3 (m) | R4 (m) |
|---------------------|---------------------|---------|---------|---------|---------|
| | | 0,5 lux | 0,5 lux | 0,5 lux | 0,5 lux |
| 2,5 | 6.5 | 3.5 | 7.5 | 3.5 | 2 |
| 3 | 4.5 | 4 | 8 | 5 | 2.5 |
| 4 | 2.5 | 4.5 | 9 | 6 | 3 |
| 6 | 1 | 4.5 | 9 | 6 | 3 |

ONE OR MORE OF THESE IS ALSO REQUIRED:

OPTIONAL MOUNTING ACCESSORIES FOR EMERGENCY LIGHTS



| Product Code | Product Name | Compatible Product Groups |
|--------------|---------------------------------|---|
| XWT5210 | Stamina wall bracket XWT5210 | Stamina: Zone, Stamina: Zone Highoutput, Stamina: Line Lowbay, Stamina: Line Midbay |
| XWT5211 | Stamina ceiling bracket XWT5211 | Stamina: Zone, Stamina: Zone Highoutput, Stamina: Line Lowbay, Easy: Combo Emergency / Exit Light |

OPTIONAL ACCESSORIES:

OPTIONAL MOUNTING ACCESSORIES FOR



We reserve the rights to make modifications without notice.
 Copyright © 2021 Teknoware. All rights reserved.
 Date: January 05, 2021 | Source:
www.teknoware.com/en/emergency-lighting/stamina-zone-emergency-light-tws5792wag



Teknoware Oy | P.O. Box 19, 15101 Lahti | Ilmarisentie 8, 15200 Lahti Finland
 Tel +358 3 883 020 | VAT-number FI01494751 | teknoware.com | emexit@teknoware.com

EMERGENCY LIGHTS

| Product Code | Product Name | Compatible Product Groups |
|--------------|--|--|
| XWT5213 | Stamina recess mounting frame XWT5213 | Stamina: Zone, Stamina: Zone Highoutput, Stamina: Line Lowbay, Stamina: Line Midbay |

We reserve the rights to make modifications without notice.

Copyright © 2021 Teknoware. All rights reserved.

Date: January 05, 2021 | Source:

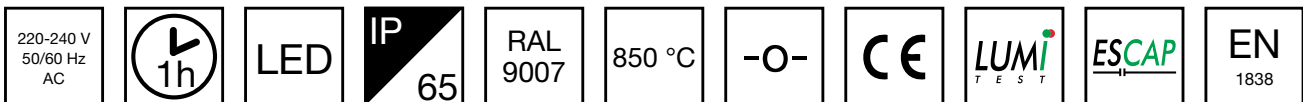
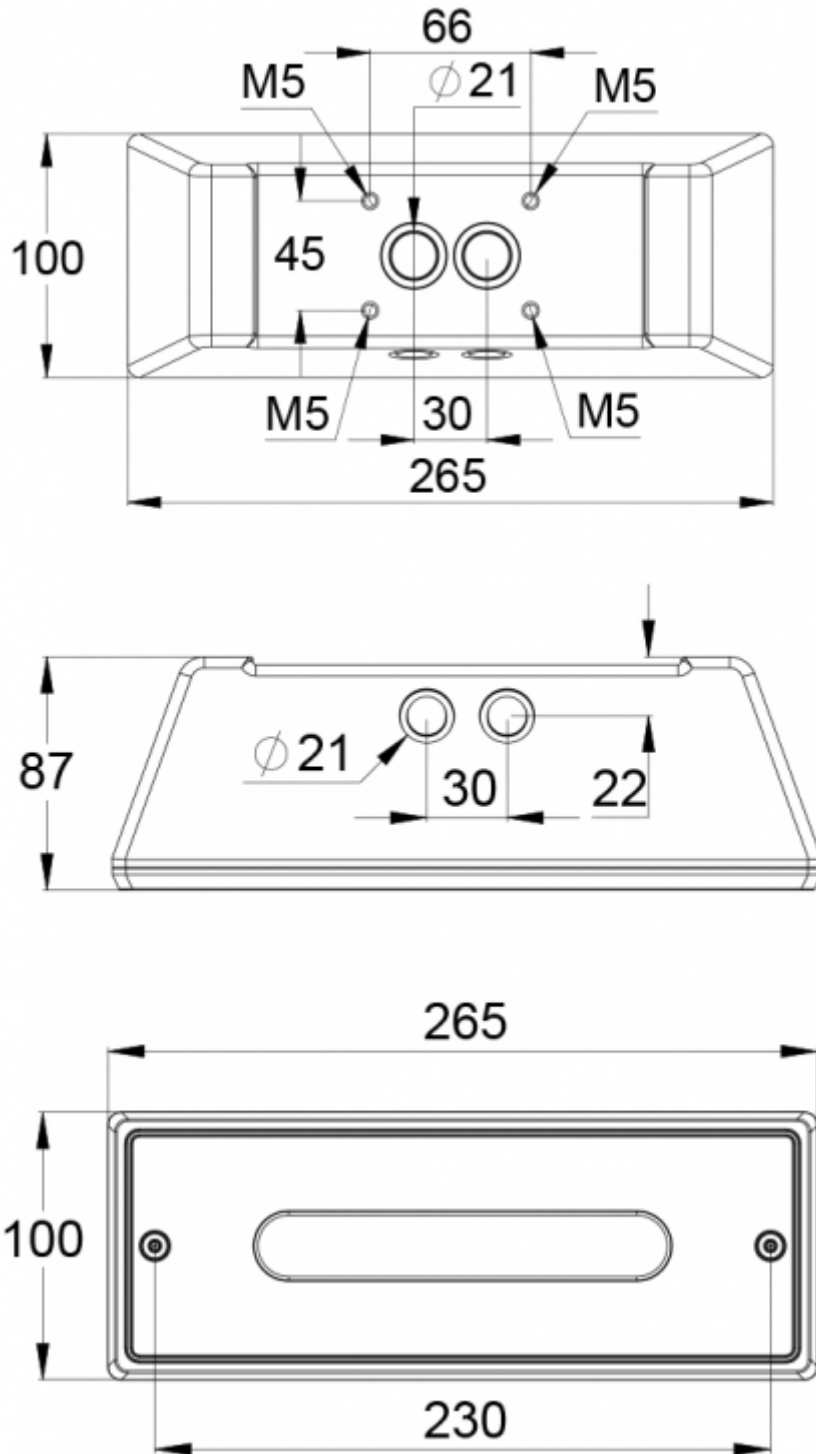
www.teknoware.com/en/emergency-lighting/stamina-zone-emergency-light-tws5792wag

Teknoware Oy | P.O. Box 19, 15101 Lahti | Ilmarisentie 8, 15200 Lahti Finland

Tel +358 3 883 020 | VAT-number FI01494751 | teknoware.com | emexit@teknoware.com



STAMINA ZONE EMERGENCY LIGHT TWS5792WMG



We reserve the rights to make modifications without notice.
 Copyright © 2021 Teknoware. All rights reserved.
 Date: January 05, 2021 | Source:
www.teknoware.com/en/emergency-lighting/stamina-zone-emergency-light-tws5792wmg



Teknoware Oy | P.O. Box 19, 15101 Lahti | Ilmarisentie 8, 15200 Lahti Finland
 Tel +358 3 883 020 | VAT-number FI01494751 | teknoware.com | emexit@teknoware.com

Self-contained Escap emergency light with 1h super capacitor and Lumi Test self-testing

Stamina is designed to meet demanding needs in challenging environments.

Stamina Zone TWS7592WMG has a dustproof and waterproof (IP65) impact-resistant aluminium casing (IK10). The luminaire has a glass dome, which provides excellent protection against chemicals. The Escap supercapacitor enables the luminaire to function even in freezing temperatures down to -25°C (13°F). The Stamina can be used for general lighting when connected to the mains. The luminaire has several mounting options. This model is equipped with Lumi Test self-testing.

| | |
|-------------------------------------|---------------------------|
| Product Code | TWS5792WMG |
| Feature | Escap, Lumi Test |
| Mounting (standard) | wall, ceiling |
| Customs Code | 94056080 |
| GTIN Code | 6438045026374 |
| ETIM Product Class | EC001957 |
| Length | 265 mm |
| Width | 100 mm |
| Height | 87 mm |
| Weight | 1.4 kg |
| Backup | 1 h |
| Max Input Power VA | 11 VA / 3 VA |
| Max Input Power W | 7 W |
| Nominal Supply Voltage | 220-240 V, 50/60 Hz AC |
| Protection Class | I |
| IP Class | IP65 |
| Temperature Range Min - Max | -25...+35 °C |
| Glow Wire Test of Plastic Materials | 850 °C |
| Light Source | LED |
| Body Material | cast aluminium |
| Colour | RAL9007 |
| Electrical Installation | 3/4 x 2,5 mm ² |
| Luminous Flux | 96 lm |

Emergency lighting for open areas (ceiling mounting)

Table of 0,5 lux for open areas according to the norm EN 1838, 0,5 m edge district is considered in the table.

Level of measurement 0,02 m, measurement result with battery operation.

We reserve the rights to make modifications without notice.

Copyright © 2021 Teknoware. All rights reserved.

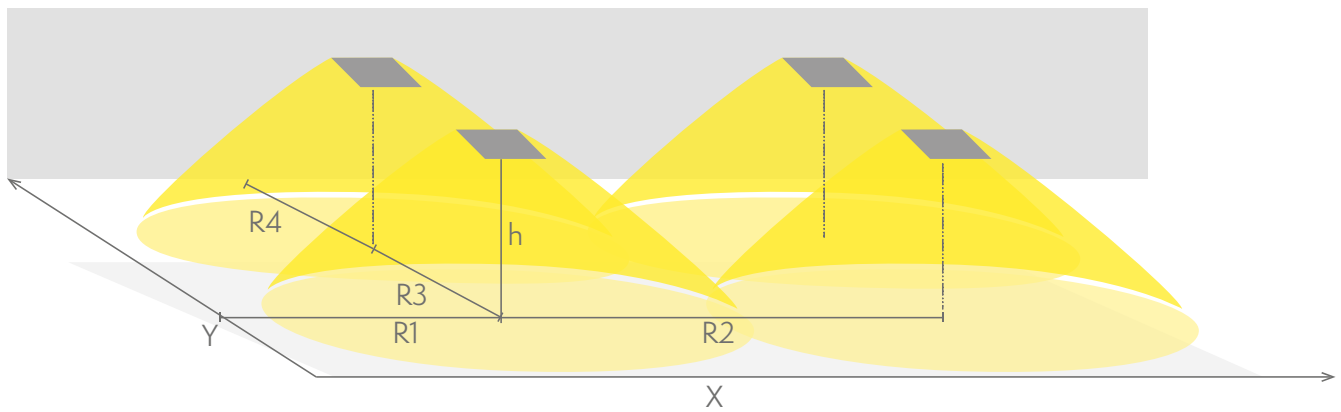
Date: January 05, 2021 | Source:

www.teknoware.com/en/emergency-lighting/stamina-zone-emergency-light-tws5792wmg



Teknoware Oy | P.O. Box 19, 15101 Lahti | Ilmarisentie 8, 15200 Lahti Finland

Tel +358 3 883 020 | VAT-number FI01494751 | teknoware.com | emexit@teknoware.com



- R1 distance from wall (X axis)
- R2 installation distance between lights (X axis)
- R3 installation distance between lights (Y axis)
- R4 distance from wall (Y axis)

TWS5792WMG

| Mounting height (m) | Below the light lux | R1 (m) | R2 (m) | R3 (m) | R4 (m) |
|---------------------|---------------------|---------|---------|---------|---------|
| | | 0,5 lux | 0,5 lux | 0,5 lux | 0,5 lux |
| 2,5 | 6.5 | 3.5 | 7.5 | 3.5 | 2 |
| 3 | 4.5 | 4 | 8 | 5 | 2.5 |
| 4 | 2.5 | 4.5 | 9 | 6 | 3 |
| 6 | 1 | 4.5 | 9 | 6 | 3 |

ONE OR MORE OF THESE IS ALSO REQUIRED:

OPTIONAL MOUNTING ACCESSORIES FOR EMERGENCY LIGHTS



| Product Code | Product Name | Compatible Product Groups |
|--------------|---------------------------------|---|
| XWT5210 | Stamina wall bracket XWT5210 | Stamina: Zone, Stamina: Zone Highoutput, Stamina: Line Lowbay, Stamina: Line Midbay |
| XWT5211 | Stamina ceiling bracket XWT5211 | Stamina: Zone, Stamina: Zone Highoutput, Stamina: Line Lowbay, Easy: Combo Emergency / Exit Light |

OPTIONAL ACCESSORIES:

OPTIONAL MOUNTING ACCESSORIES FOR



We reserve the rights to make modifications without notice.
 Copyright © 2021 Teknoware. All rights reserved.
 Date: January 05, 2021 | Source:
www.teknoware.com/en/emergency-lighting/stamina-zone-emergency-light-tws5792wmg



Teknoware Oy | P.O. Box 19, 15101 Lahti | Ilmarisentie 8, 15200 Lahti Finland
 Tel +358 3 883 020 | VAT-number FI01494751 | teknoware.com | emexit@teknoware.com

EMERGENCY LIGHTS

| Product Code | Product Name | Compatible Product Groups |
|--------------|--|--|
| XWT5213 | Stamina recess mounting frame XWT5213 | Stamina: Zone, Stamina: Zone Highoutput, Stamina: Line Lowbay, Stamina: Line Midbay |

We reserve the rights to make modifications without notice.

Copyright © 2021 Teknoware. All rights reserved.

Date: January 05, 2021 | Source:

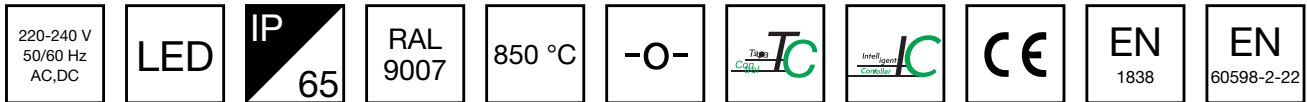
www.teknoware.com/en/emergency-lighting/stamina-zone-emergency-light-tws5792wmg

Teknoware Oy | P.O. Box 19, 15101 Lahti | Ilmarisentie 8, 15200 Lahti Finland

Tel +358 3 883 020 | VAT-number FI01494751 | teknoware.com | emexit@teknoware.com



STAMINA ZONE EMERGENCY LIGHT TWT5251WK



Addressable 230 V centrally supplied LED emergency light

The Stamina Zone TWT5251WK is designed to meet the highest demands in challenging environments.

The luminaire has an impact resistant IK10 metal body and it is dust- and waterproof (IP65). This model can be used in freezing temperatures up to -30°C. The Stamina has several mounting options. This model is a 230 V central battery system luminaire and it's designed to illuminate open areas.

| | |
|-------------------------------------|---------------------------------------|
| Product Code | TWT5251WK |
| Feature | Intelligent Controller, Tapsa Control |
| Mounting (standard) | wall, ceiling |
| Customs Code | 94056080 |
| GTIN Code | 6438045024530 |
| ETIM Product Class | EC001957 |
| Length | 265 mm |
| Width | 100 mm |
| Height | 87 mm |
| Weight | 1.2 kg |
| Max Input Power VA | 14 VA |
| Max Input Power W | 8,5 W |
| Nominal Supply Voltage | 220-240 V, 50/60 Hz AC,DC |
| Protection Class | I |
| IP Class | IP65 |
| IK Class | IK10 |
| Temperature Range Min - Max | -30...+50 °C |
| Glow Wire Test of Plastic Materials | 850 °C |
| Light Source | LED |
| Body Material | cast aluminium |
| Colour | RAL9007 |
| Electrical Installation | 3 x 2,5 mm ² |
| Luminous Flux | 380 lm |

Emergency lighting for open areas (ceiling mounting)

Table of 0,5 lux for open areas according to the norm EN 1838, 0,5 m edge district is considered in the table.

Level of measurement 0,02 m, measurement result with battery operation.

We reserve the rights to make modifications without notice.

Copyright © 2021 Teknoware. All rights reserved.

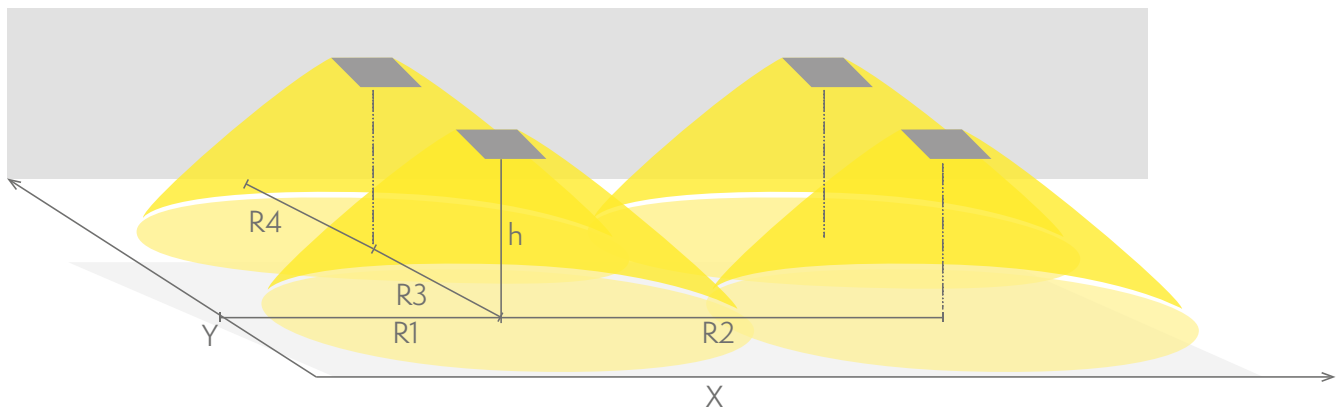
Date: January 05, 2021 | Source:

www.teknoware.com/en/emergency-lighting/stamina-zone-emergency-light-twt5251wk



Teknoware Oy | P.O. Box 19, 15101 Lahti | Ilmarisentie 8, 15200 Lahti Finland

Tel +358 3 883 020 | VAT-number FI01494751 | teknoware.com | emexit@teknoware.com



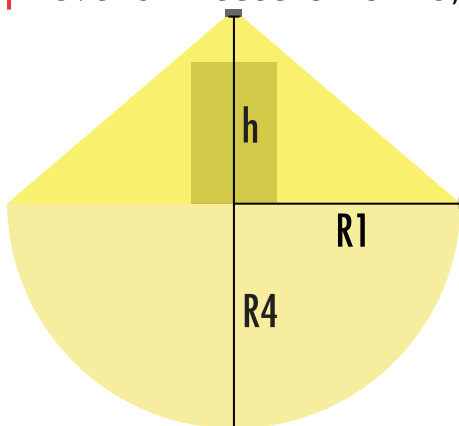
- R1 distance from wall (X axis)
- R2 installation distance between lights (X axis)
- R3 installation distance between lights (Y axis)
- R4 distance from wall (Y axis)

TWT5251WK

| Mounting height (m) | Below the light lux | R1 (m) | R2 (m) | R3 (m) | R4 (m) |
|---------------------|---------------------|---------|---------|---------|---------|
| | | 0,5 lux | 0,5 lux | 0,5 lux | 0,5 lux |
| 4 | 31 | 3.5 | 7.5 | 7.5 | 3.5 |
| 6 | 14 | 4.5 | 9.5 | 9.5 | 4.5 |
| 8 | 7 | 5 | 10.5 | 10.5 | 5 |
| 10 | 5 | 5.5 | 12 | 12 | 5.5 |
| 12 | 3.5 | 6 | 13 | 13 | 6 |
| 14 | 2.5 | 6 | 13 | 13 | 6 |
| 16 | 2 | 6 | 13 | 13 | 6 |

Wall mounting

- Tables of 1 lux and 0,5 lux, under the Emergency Light.
- Level of measurement 0,02 m, measurement result with battery operation.



- R1 distance from wall (X axis)
- R4 distance from wall (Y axis)

TWT5251WK

| Mounting height (m) | Below the light lux | R1 (m) | R4 (m) | R1 (m) | R4 (m) |
|---------------------|---------------------|--------|--------|---------|---------|
| | | 1 lux | 1 lux | 0,5 lux | 0,5 lux |
| 2,5 | 80 | 2.5 | 4 | 3 | 5 |
| 3 | 56 | 2.8 | 4.3 | 3.3 | 5.3 |
| 4 | 31 | 3.4 | 4.8 | 3.9 | 6 |
| 6 | 12 | 4.3 | 5.5 | 5 | 7 |

ONE OR MORE OF THESE IS ALSO REQUIRED:

OPTIONAL MOUNTING ACCESSORIES FOR EMERGENCY LIGHTS



| Product Code | Product Name | Compatible Product Groups |
|--------------|---------------------------------|---|
| XWT5210 | Stamina wall bracket XWT5210 | Stamina: Zone, Stamina: Zone Highoutput, Stamina: Line Lowbay, Stamina: Line Midbay |
| XWT5211 | Stamina ceiling bracket XWT5211 | Stamina: Zone, Stamina: Zone Highoutput, Stamina: Line Lowbay, Easy: Combo Emergency / Exit Light |

OPTIONAL ACCESSORIES:

OPTIONAL MOUNTING ACCESSORIES FOR EMERGENCY LIGHTS



| Product Code | Product Name | Compatible Product Groups |
|--------------|---------------------------------------|---|
| XWT5213 | Stamina recess mounting frame XWT5213 | Stamina: Zone, Stamina: Zone Highoutput, Stamina: Line Lowbay, Stamina: Line Midbay |



We reserve the rights to make modifications without notice.
Copyright © 2021 Teknoware. All rights reserved.
Date: January 05, 2021 | Source:
www.teknoware.com/en/emergency-lighting/stamina-zone-emergency-light-twt5251wk

Teknoware Oy | P.O. Box 19, 15101 Lahti | Ilmarisentie 8, 15200 Lahti Finland
Tel +358 3 883 020 | VAT-number FI01494751 | teknoware.com | emexit@teknoware.com



