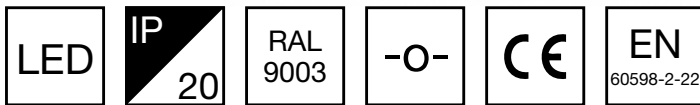


LINESPOT EMERGENCY LIGHTS



Linespot is especially designed for high corridor lighting. It utilizes the latest LED technology.

The luminaire optics are designed to give long and a narrow pattern area that illuminates the escape route efficiently, and enables longer distances between the luminaires, from about 2.5 -10 m installation height.

Linespot's small size and stylish design enables the implementation of a energy efficient emergency lighting without visually disrupting the interiors atmosphere.

We reserve the rights to make modifications without notice.
Copyright © 2021 Teknoware. All rights reserved.
Date: February 14, 2021 | Source:
www.teknoware.com/en/emergency-lighting/emergency-lights/emergency-light-product-families/linespot-emergency-lights



Teknoware Oy | P.O. Box 19, 15101 Lahti | Ilmarisentie 8, 15200 Lahti Finland
Tel +358 3 883 020 | VAT-number FI01494751 | teknoware.com | emexit@teknoware.com

The product codes starting with letter Y include an individually packed luminaire. The product codes starting with TW include the luminaire only.

SELF-CONTAINED ESCAP EMERGENCY LIGHTS WITH SUPER CAPACITOR AND SELF-TESTING

Product Code	Nominal Supply Voltage	Feature	Backup (h)	Form
TWS5092WM4	220-240 V, 50/60 Hz AC	Escap, Lumi Test	1	
TWS5092WM	220-240 V, 50/60 Hz AC	Escap, Lumi Test	1	
Y5092WM	220-240 V, 50/60 Hz AC	Escap, Lumi Test	1	

SELF-CONTAINED ESCAP EMERGENCY LIGHTS WITH SUPER CAPACITOR AND WIRELESS CENTRAL MONITORING

Product Code	Nominal Supply Voltage	Feature	Backup (h)
TWS5092WA4	220-240 V, 50/60 Hz AC	Aalto Control, Escap, Lumi Test	1
TWS5092WA	220-240 V, 50/60 Hz AC	Aalto Control, Escap, Lumi Test	1
Y5092WA	220-240 V, 50/60 Hz AC	Aalto Control, Escap, Lumi Test	1

SELF-CONTAINED EMERGENCY LIGHTS WITH BATTERY AND SELF-TESTING

Product Code	Nominal Supply Voltage	Feature	Backup (h)
TWT5052WM	220-240 V, 50/60 Hz AC	Lumi Test	1
Y5052WM	220-240 V, 50/60 Hz AC	Lumi Test	1
TWT5053WM	220-240 V, 50/60 Hz AC	Lumi Test	3
Y5053WM	220-240 V, 50/60 Hz AC	Lumi Test	3

SELF-CONTAINED EMERGENCY LIGHTS WITH BATTERY AND WIRELESS CENTRAL MONITORING

Product Code	Nominal Supply Voltage	Feature	Backup (h)
TWT5052WA	220-240 V, 50/60 Hz AC	Aalto Control, Lumi Test	1
Y5052WA	220-240 V, 50/60 Hz AC	Aalto Control, Lumi Test	1
TWT5053WA	220-240 V, 50/60 Hz AC	Aalto Control, Lumi Test	3
Y5053WA	220-240 V, 50/60 Hz AC	Aalto Control, Lumi Test	3

We reserve the rights to make modifications without notice.
 Copyright © 2021 Teknoware. All rights reserved.
 Date: February 14, 2021 | Source:
www.teknoware.com/en/emergency-lighting/emergency-lights/emergency-light-product-families/linespot-emergency-lights



ADDRESSABLE 230 V CENTRALLY SUPPLIED EMERGENCY LIGHTS

Product Code	Nominal Supply Voltage	Feature
TWT5051WK	220-240 V, 50/60 Hz AC, DC	Tapsa Control
Y5051WK	220-240 V, 50/60 Hz AC, DC	Tapsa Control

NON-ADDRESSABLE 230 V CENTRALLY SUPPLIED EMERGENCY LIGHTS

Product Code	Nominal Supply Voltage	Feature
TWT5071W	24-230 V, 50/60 Hz AC, DC	
Y5071W	24-230 V, 50/60 Hz AC, DC	

We reserve the rights to make modifications without notice.

Copyright © 2021 Teknoware. All rights reserved.

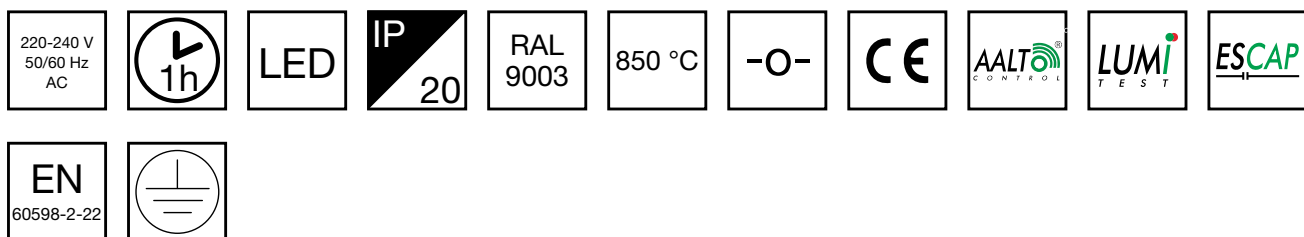
Date: February 14, 2021 | Source:

www.teknoware.com/en/emergency-lighting/emergency-lights/emergency-light-product-families/linespot-emergency-lights



Teknoware Oy | P.O. Box 19, 15101 Lahti | Ilmarisentie 8, 15200 Lahti Finland
Tel +358 3 883 020 | VAT-number FI01494751 | teknoware.com | emexit@teknoware.com

LINESPOT LED EMERGENCY LIGHT TWS5092WA4



Self-contained ESCAP Emergency Light with 1 h Super Capacitor and Wireless Central Monitoring

Linespot is especially designed for high corridor lighting. It utilizes the latest LED technology. The luminaire optics are designed to give long and a narrow pattern area that illuminates the escape route efficiently, and enables longer distances between the luminaires, from about 2.5 -10 m installation height.

Linespot's small size and stylish design enables the implementation of a energy efficient emergency lighting without visually disrupting the interiors atmosphere. In this model the electronics and capacitors are in the same casing.

We reserve the rights to make modifications without notice.
Copyright © 2021 Teknoware. All rights reserved.
Date: February 14, 2021 | Source:
www.teknoware.com/en/emergency-lighting/linespot-led-emergency-light-tws5092wa4

Teknoware Oy | P.O. Box 19, 15101 Lahti | Ilmarisentie 8, 15200 Lahti Finland
Tel +358 3 883 020 | VAT-number FI01494751 | teknoware.com | emexit@teknoware.com



Product Code	TWS5092WA4
Feature	Aalto Control, Escap, Lumi Test
Mounting (standard)	recess
GTIN Code	6438045024431
ETIM Product Class	EC001957
Length	101 mm
Width	101 mm
Height	55 mm
Weight	0,8 kg
Backup	1 h
Max Input Power VA	3 VA
Nominal Supply Voltage	220-240 V, 50/60 Hz AC
Protection Class	I
IP Class	IP20
Temperature Range Min - Max	-25...+35 °C
Glow Wire Test of Plastic Materials	850 °C
Light Source	LED
Body Material	plastic
Aperture for Recess Mounting	ø75 mm
Colour	RAL9003
Electrical Installation	3 x 2,5 mm ²
Luminous Flux	60 lm

Emergency lighting for escape routes (ceiling mounting)

Table of 1 lux for escape routes in the middle line according to the norm EN 1838.

Level of measurement 0,02 m, measurement result with battery operation.

We reserve the rights to make modifications without notice.

Copyright © 2021 Teknoware. All rights reserved.

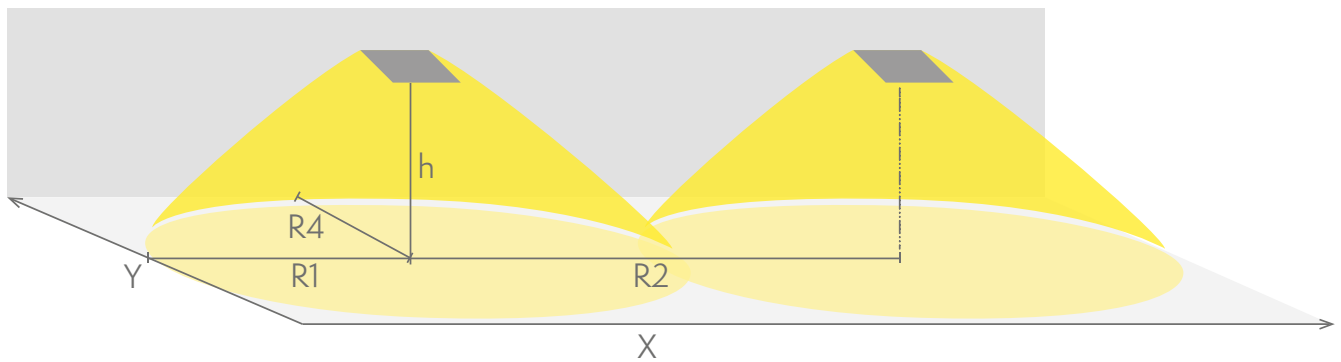
Date: February 14, 2021 | Source:

www.teknoware.com/en/emergency-lighting/linespot-led-emergency-light-tws5092wa4

Teknoware Oy | P.O. Box 19, 15101 Lahti | Ilmarisentie 8, 15200 Lahti Finland

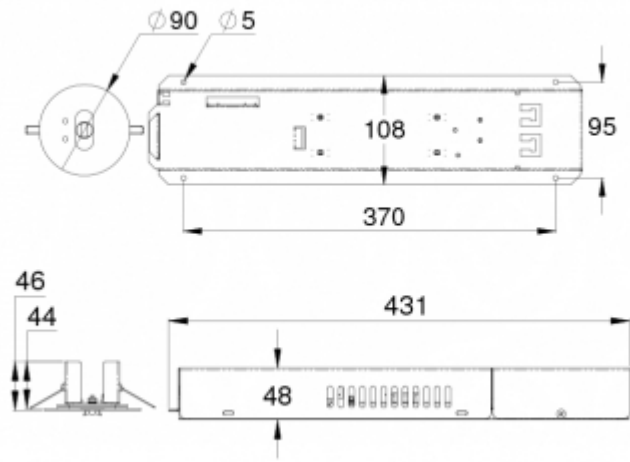
Tel +358 3 883 020 | VAT-number FI01494751 | teknoware.com | emexit@teknoware.com





R1 distance from wall (X axis)
 R2 installation distance between lights (X axis)
 R4 distance from wall (Y axis)
TWS5092WA4

Mounting height (m)	Below the light lux	R1 (m)	R2 (m)	R4 (m)
		1 lux	1 lux	1 lux
2,5	11	3,5	8	1
3	8	3,5	9	1
4	4,5	4	10	1
6	2	4	11	1
8	1,1	3	11	1

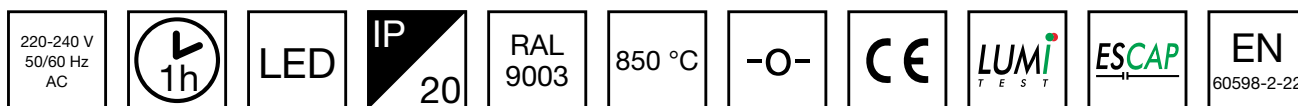
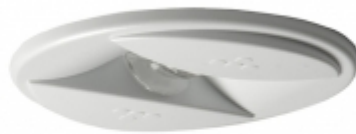


We reserve the rights to make modifications without notice.
Copyright © 2021 Teknoware. All rights reserved.
Date: February 14, 2021 | Source:
www.teknoware.com/en/emergency-lighting/linespot-led-emergency-light-tws5092wa4

Teknoware Oy | P.O. Box 19, 15101 Lahti | Ilmarisentie 8, 15200 Lahti Finland
Tel +358 3 883 020 | VAT-number FI01494751 | teknoware.com | emexit@teknoware.com



LINESPOT LED EMERGENCY LIGHT TWS5092WM



Self-contained ESCAP Emergency Light with 1 h Super Capacitor and Lumi Test Self-testing

Linespot is especially designed for high corridor lighting. It utilizes the latest LED technology. The luminaire optics are designed to give long and a narrow pattern area that illuminates the escape route efficiently, and enables longer distances between the luminaires, from about 2.5 -10 m installation height.

Linespot's small size and stylish design enables the implementation of a energy efficient emergency lighting without visually disrupting the interiors atmosphere.

INDIVIDUALLY PACKED LIGHTS

The product codes starting with letter Y include an individually packed luminaire. The product codes starting with TW include the luminaire only.

Product Code	IP Class	Luminous Flux (lm)
Y5092WM	IP20	60

Product Code	TWS5092WM
Feature	Escap, Lumi Test
Mounting (standard)	recess
Customs Code	94056080
GTIN Code	6438045008172
ETIM Product Class	EC001957
Length	101 mm
Width	101 mm
Height	55 mm
Weight	0,8 kg
Backup	1 h
Max Input Power VA	3 VA
Nominal Supply Voltage	220-240 V, 50/60 Hz AC
Protection Class	I
IP Class	IP20
Temperature Range Min - Max	-25...+35 °C
Glow Wire Test of Plastic Materials	850 °C
Light Source	LED
Body Material	plastic
Aperture for Recess Mounting	ø75 mm

We reserve the rights to make modifications without notice.

Copyright © 2021 Teknoware. All rights reserved.

Date: February 14, 2021 | Source:

www.teknoware.com/en/emergency-lighting/linespot-led-emergency-light-tws5092wm

Teknoware Oy | P.O. Box 19, 15101 Lahti | Ilmarisentie 8, 15200 Lahti Finland

Tel +358 3 883 020 | VAT-number FI01494751 | teknoware.com | emexit@teknoware.com

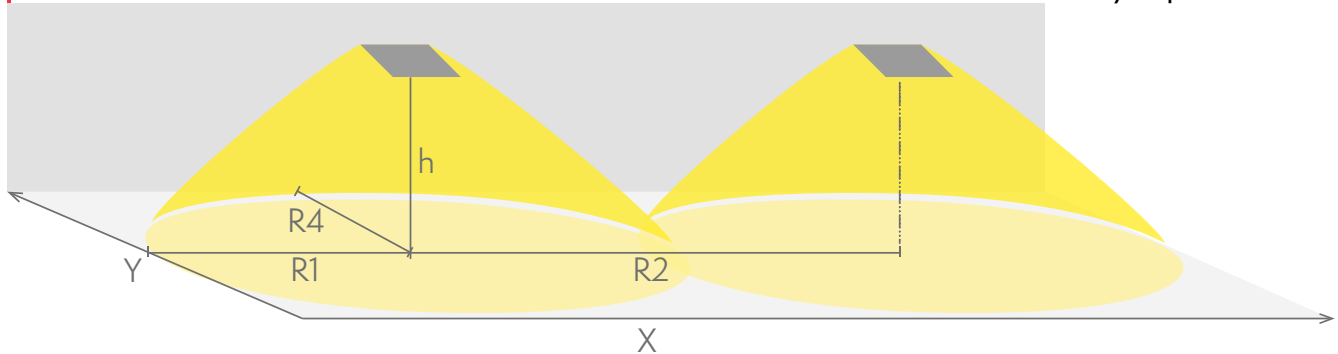


Colour	RAL9003
Electrical Installation	3 x 2,5 mm ²
Luminous Flux	60 lm

Emergency lighting for escape routes (ceiling mounting)

Table of 1 lux for escape routes in the middle line according to the norm EN 1838.

Level of measurement 0,02 m, measurement result with battery operation.



R1 distance from wall (X axis)

R2 installation distance between lights (X axis)

R4 distance from wall (Y axis)

TWS5092WM

Mounting height (m)	Below the light lux	R1 (m)	R2 (m)	R4 (m)
		1 lux	1 lux	1 lux
2,5	11	3,5	8	1
3	8	3,5	9	1
4	4,5	4	10	1
6	2	4	11	1
8	1,1	3	11	1

We reserve the rights to make modifications without notice.

Copyright © 2021 Teknoware. All rights reserved.

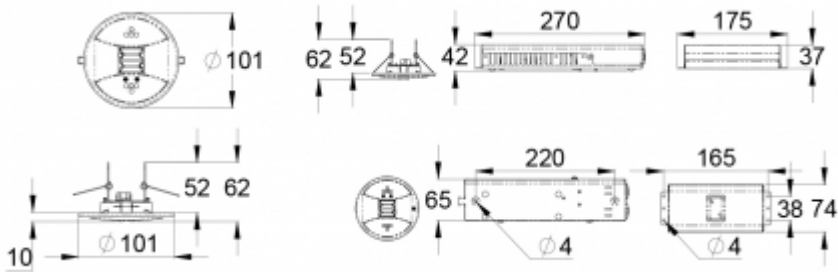
Date: February 14, 2021 | Source:

www.teknoware.com/en/emergency-lighting/linespot-led-emergency-light-tws5092wm



Teknoware Oy | P.O. Box 19, 15101 Lahti | Ilmarisentie 8, 15200 Lahti Finland

Tel +358 3 883 020 | VAT-number FI01494751 | teknoware.com | emexit@teknoware.com

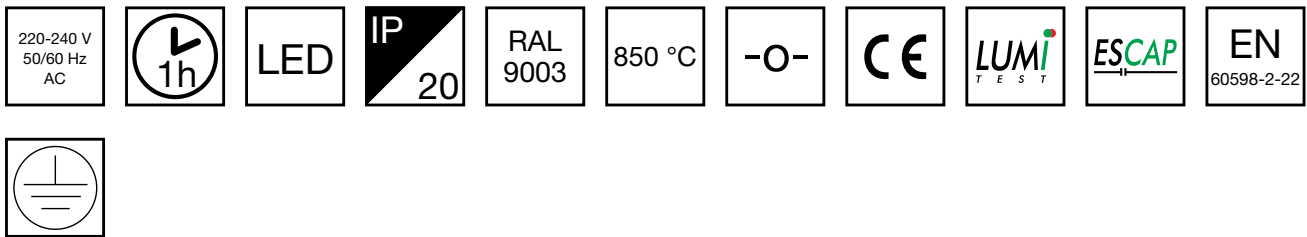


We reserve the rights to make modifications without notice.
Copyright © 2021 Teknoware. All rights reserved.
Date: February 14, 2021 | Source:
www.teknoware.com/en/emergency-lighting/linespot-led-emergency-light-tws5092wm

Teknoware Oy | P.O. Box 19, 15101 Lahti | Ilmarisentie 8, 15200 Lahti Finland
Tel +358 3 883 020 | VAT-number FI01494751 | teknoware.com | emexit@teknoware.com



LINESPOT LED EMERGENCY LIGHT TWS5092WM4



Self-contained ESCAP Emergency Light with 1 h Super Capacitor and Wireless Central Monitoring (Individually packed TWS5092WA)

Linespot is especially designed for high corridor lighting. It utilizes the latest LED technology. The luminaire optics are designed to give long and a narrow pattern area that illuminates the escape route efficiently, and enables longer distances between the luminaires, from about 2.5 -10 m installation height.

Linespot's small size and stylish design enables the implementation of a energy efficient emergency lighting without visually disrupting the interiors atmosphere. In this model the electronics and capacitors are in the same casing.

We reserve the rights to make modifications without notice.
Copyright © 2021 Teknoware. All rights reserved.
Date: February 14, 2021 | Source:
www.teknoware.com/en/emergency-lighting/linespot-led-emergency-light-tws5092wm4

Teknoware Oy | P.O. Box 19, 15101 Lahti | Ilmarisentie 8, 15200 Lahti Finland
Tel +358 3 883 020 | VAT-number FI01494751 | teknoware.com | emexit@teknoware.com

 **TEKNOWARE®**

Product Code	TWS5092WM4
Feature	Escap, Lumi Test
Mounting (standard)	recess
GTIN Code	6438045024455
ETIM Product Class	EC001957
Length	101 mm
Width	101 mm
Height	55 mm
Weight	0,8 kg
Backup	1 h
Max Input Power VA	3 VA
Nominal Supply Voltage	220-240 V, 50/60 Hz AC
Protection Class	I
IP Class	IP20
Temperature Range Min - Max	-25...+35 °C
Glow Wire Test of Plastic Materials	850 °C
Light Source	LED
Body Material	plastic
Aperture for Recess Mounting	ø75 mm
Colour	RAL9003
Electrical Installation	3 x 2,5 mm ²
Luminous Flux	60 lm

Emergency lighting for escape routes (ceiling mounting)

Table of 1 lux for escape routes in the middle line according to the norm EN 1838.

Level of measurement 0,02 m, measurement result with battery operation.

We reserve the rights to make modifications without notice.

Copyright © 2021 Teknoware. All rights reserved.

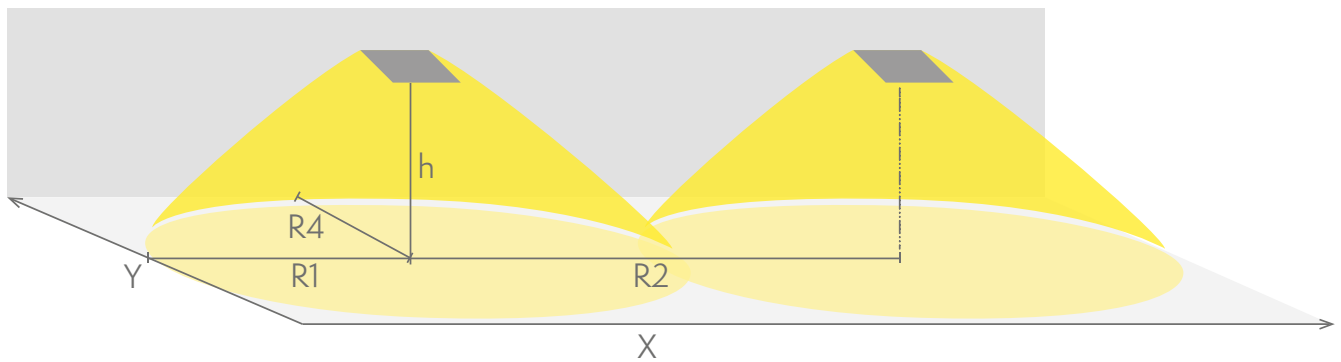
Date: February 14, 2021 | Source:

www.teknoware.com/en/emergency-lighting/linespot-led-emergency-light-tws5092wm4

Teknoware Oy | P.O. Box 19, 15101 Lahti | Ilmarisentie 8, 15200 Lahti Finland

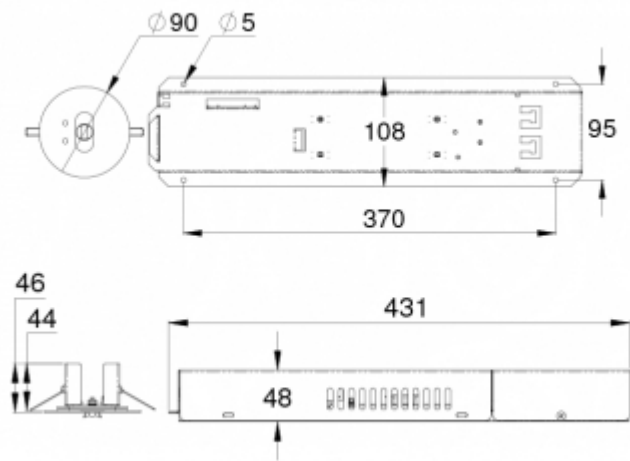
Tel +358 3 883 020 | VAT-number FI01494751 | teknoware.com | emexit@teknoware.com





R1 distance from wall (X axis)
 R2 installation distance between lights (X axis)
 R4 distance from wall (Y axis)
TWS5092WM4

Mounting height (m)	Below the light lux	R1 (m)	R2 (m)	R4 (m)
		1 lux	1 lux	1 lux
2,5	11	3,5	8	1
3	8	3,5	9	1
4	4,5	4	10	1
6	2	4	11	1
8	1,1	3	11	1

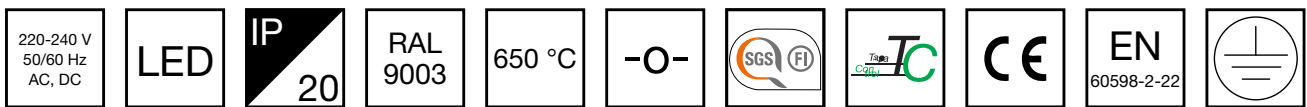
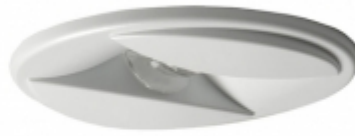


We reserve the rights to make modifications without notice.
Copyright © 2021 Teknoware. All rights reserved.
Date: February 14, 2021 | Source:
www.teknoware.com/en/emergency-lighting/linespot-led-emergency-light-tws5092wm4

Teknoware Oy | P.O. Box 19, 15101 Lahti | Ilmarisentie 8, 15200 Lahti Finland
Tel +358 3 883 020 | VAT-number FI01494751 | teknoware.com | emexit@teknoware.com



LINESPOT LED EMERGENCY LIGHT TWT5051WK



Addressable 230 V centrally supplied LED Emergency Light

Linespot is especially designed for high corridor lighting. It utilizes the latest LED technology. The luminaire optics are designed to give long and a narrow pattern area that illuminates the escape route efficiently, and enables longer distances between the luminaires, from about 2.5 -10 m installation height.

Linespot's small size and stylish design enables the implementation of a energy efficient emergency lighting without visually disrupting the interiors atmosphere.

INDIVIDUALLY PACKED LIGHTS

The product codes starting with letter Y include an individually packed luminaire. The product codes starting with TW include the luminaire only.

Product Code	IP Class	Luminous Flux (lm)
Y5051WK	IP20	168

Product Code	TWT5051WK
Feature	Tapsa Control
Mounting (standard)	recess
Customs Code	94056080
GTIN Code	6438045007229
ETIM Product Class	EC001957
Length	101 mm
Width	101 mm
Height	55 mm
Weight	0,4 kg
Max Input Power VA	10 VA
Max Input Power W	5,5 W
Nominal Supply Voltage	220-240 V, 50/60 Hz AC, DC
Protection Class	I
IP Class	IP20
Temperature Range Min - Max	-30...+50 °C
Glow Wire Test of Plastic Materials	650 °C
Certifications	SGS Fimko
Light Source	LED
Body Material	plastic

We reserve the rights to make modifications without notice.

Copyright © 2021 Teknoware. All rights reserved.

Date: February 14, 2021 | Source:

www.teknoware.com/en/emergency-lighting/linespot-led-emergency-light-twt5051wk

Teknoware Oy | P.O. Box 19, 15101 Lahti | Ilmarisentie 8, 15200 Lahti Finland

Tel +358 3 883 020 | VAT-number FI01494751 | teknoware.com | emexit@teknoware.com

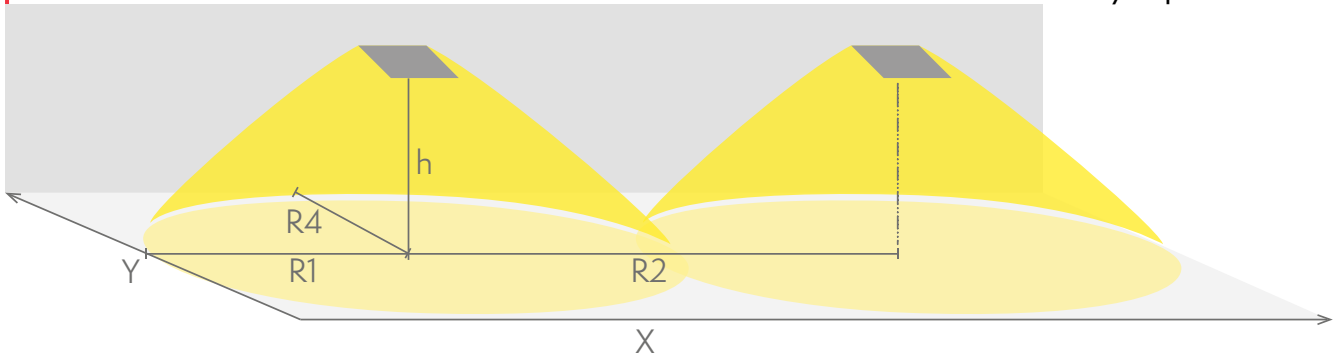


Aperture for Recess Mounting	ø75 mm
Colour	RAL9003
Electrical Installation	3 x 2,5 mm ²
Luminous Flux	168 lm

Emergency lighting for escape routes (ceiling mounting)

Table of 1 lux for escape routes in the middle line according to the norm EN 1838.

Level of measurement 0,02 m, measurement result with battery operation.



R1 distance from wall (X axis)

R2 installation distance between lights (X axis)

R4 distance from wall (Y axis)

TWT5051WK

Mounting height (m)	Below the light lux	R1 (m)	R2 (m)	R4 (m)
		1 lux	1 lux	1 lux
2,5	32	5	11	2
4	12,5	6	15	2
6	5,6	6	18	1,5
8	3,1	5	18	1,5
10	2	4	16	1,5

SPARE PARTS:

SPARE PARTS FOR EMERGENCY LIGHTS



We reserve the rights to make modifications without notice.

Copyright © 2021 Teknoware. All rights reserved.

Date: February 14, 2021 | Source:

www.teknoware.com/en/emergency-lighting/linespot-led-emergency-light-twt5051wk



Teknoware Oy | P.O. Box 19, 15101 Lahti | Ilmarisentie 8, 15200 Lahti Finland

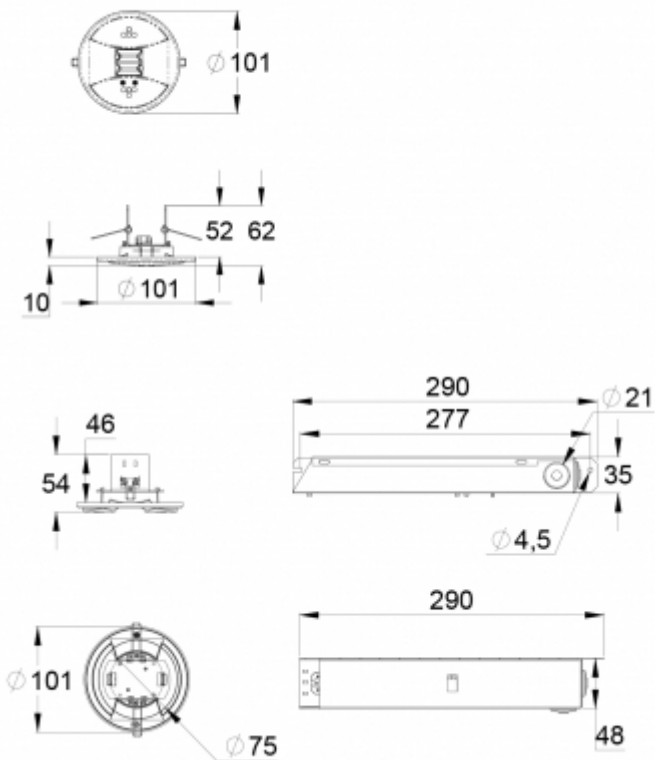
Tel +358 3 883 020 | VAT-number FI01494751 | teknoware.com | emexit@teknoware.com

Product Code	Product Name	Compatible Product Groups
W100002	Ballast W100002	Addressable 230 V Centrally Supplied Emergency Lights, Addressable 230 V Centrally Supplied Emergency Exit Lights

We reserve the rights to make modifications without notice.
Copyright © 2021 Teknoware. All rights reserved.
Date: February 14, 2021 | Source:
www.teknoware.com/en/emergency-lighting/linespot-led-emergency-light-twt5051wk

Teknoware Oy | P.O. Box 19, 15101 Lahti | Ilmarisentie 8, 15200 Lahti Finland
Tel +358 3 883 020 | VAT-number FI01494751 | teknoware.com | emexit@teknoware.com





We reserve the rights to make modifications without notice.

Copyright © 2021 Teknoware. All rights reserved.

Date: February 14, 2021 | Source:

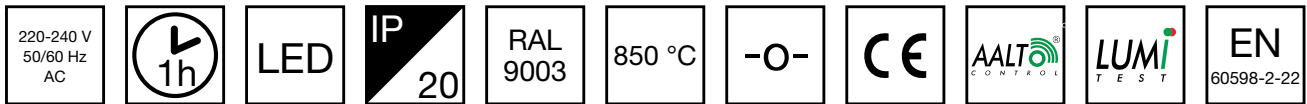
www.teknoware.com/en/emergency-lighting/linespot-led-emergency-light-twt5051wk

Teknoware Oy | P.O. Box 19, 15101 Lahti | Ilmarisentie 8, 15200 Lahti Finland

Tel +358 3 883 020 | VAT-number FI01494751 | teknoware.com | emexit@teknoware.com



LINESPOT LED EMERGENCY LIGHT TWT5052WA



Self-contained LED Emergency Light with 1 h Battery and Wireless Central Monitoring

Linespot is especially designed for high corridor lighting. It utilizes the latest LED technology. The luminaire optics are designed to give long and a narrow pattern area that illuminates the escape route efficiently, and enables longer distances between the luminaires, from about 2.5 -10 m installation height.

Linespot's small size and stylish design enables the implementation of a energy efficient emergency lighting without visually disrupting the interiors atmosphere.

INDIVIDUALLY PACKED LIGHTS

The product codes starting with letter Y include an individually packed luminaire. The product codes starting with TW include the luminaire only.

Product Code	IP Class	Luminous Flux (lm)
Y5052WA	IP20	168

Product Code	TWT5052WA
Feature	Aalto Control, Lumi Test
Mounting (standard)	recess
Customs Code	94056080
GTIN Code	6438045008189
ETIM Product Class	EC001957
Length	101 mm
Width	101 mm
Height	55 mm
Weight	0,6 kg
Backup	1 h
Max Input Power VA	3 VA
Nominal Supply Voltage	220-240 V, 50/60 Hz AC
Protection Class	I
IP Class	IP20
Temperature Range Min - Max	0...+35 °C
Glow Wire Test of Plastic Materials	850 °C
Light Source	LED
Body Material	plastic
Aperture for Recess Mounting	ø75 mm

We reserve the rights to make modifications without notice.
Copyright © 2021 Teknoware. All rights reserved.
Date: February 14, 2021 | Source:
www.teknoware.com/en/emergency-lighting/linespot-led-emergency-light-twt5052wa

Teknoware Oy | P.O. Box 19, 15101 Lahti | Ilmarisentie 8, 15200 Lahti Finland
Tel +358 3 883 020 | VAT-number FI01494751 | teknoware.com | emexit@teknoware.com

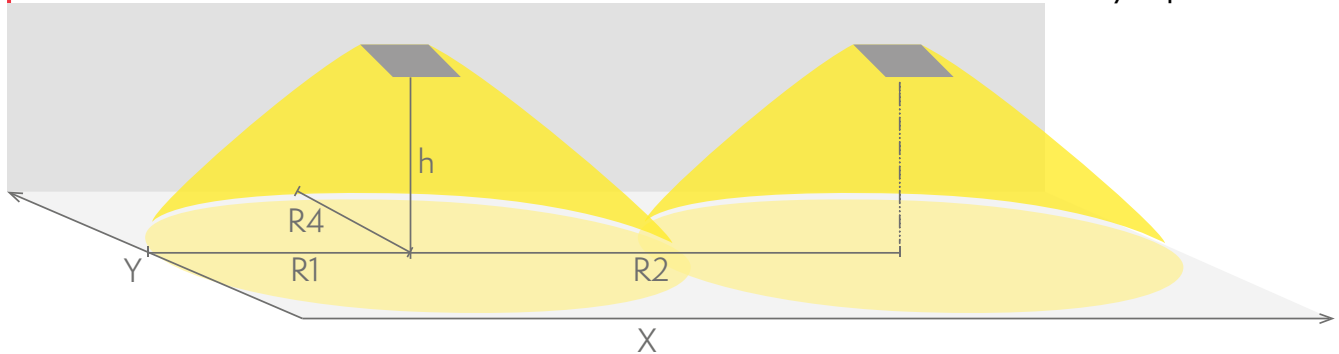


Colour	RAL9003
Electrical Installation	3 x 2,5 mm ²
Luminous Flux	168 lm

Emergency lighting for escape routes (ceiling mounting)

Table of 1 lux for escape routes in the middle line according to the norm EN 1838.

Level of measurement 0,02 m, measurement result with battery operation.



R1 distance from wall (X axis)

R2 installation distance between lights (X axis)

R4 distance from wall (Y axis)

TWT5052WA

Mounting height (m)	Below the light lux	R1 (m)	R2 (m)	R4 (m)
		1 lux	1 lux	1 lux
2,5	32	5	11	2
4	12,5	6	15	2
6	5,6	6	18	1,5
8	3,1	5	18	1,5
10	2	4	16	1,5

SPARE PARTS:

SPARE PARTS FOR EMERGENCY LIGHTS



Product Code	Product Name	Compatible Product Groups
W120006	Battery package W120006	

We reserve the rights to make modifications without notice.

Copyright © 2021 Teknoware. All rights reserved.

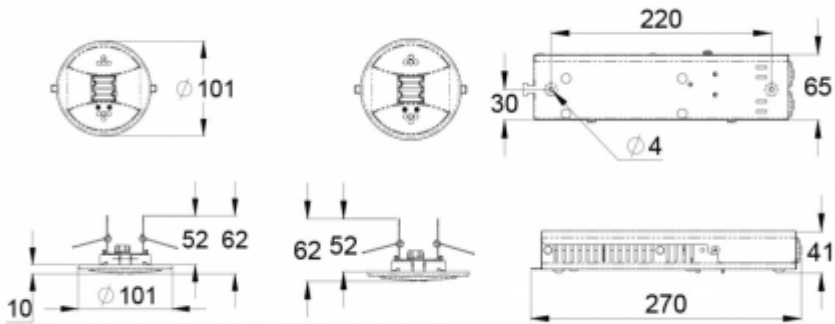
Date: February 14, 2021 | Source:

www.teknoware.com/en/emergency-lighting/linespot-led-emergency-light-twt5052wa



Teknoware Oy | P.O. Box 19, 15101 Lahti | Ilmarisentie 8, 15200 Lahti Finland

Tel +358 3 883 020 | VAT-number FI01494751 | teknoware.com | emexit@teknoware.com

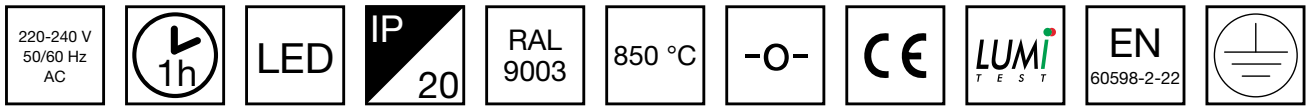


We reserve the rights to make modifications without notice.
 Copyright © 2021 Teknoware. All rights reserved.
 Date: February 14, 2021 | Source:
www.teknoware.com/en/emergency-lighting/linespot-led-emergency-light-twt5052wa

Teknoware Oy | P.O. Box 19, 15101 Lahti | Ilmarisentie 8, 15200 Lahti Finland
 Tel +358 3 883 020 | VAT-number FI01494751 | teknoware.com | emexit@teknoware.com



LINESPOT LED EMERGENCY LIGHT TWT5052WM



Self-contained LED Emergency Exit Light with 1 h Battery and Lumi Test Self-testing

Linespot is especially designed for high corridor lighting. It utilizes the latest LED technology. The luminaire optics are designed to give long and a narrow pattern area that illuminates the escape route efficiently, and enables longer distances between the luminaires, from about 2.5 -10 m installation height.

Linespot's small size and stylish design enables the implementation of a energy efficient emergency lighting without visually disrupting the interiors atmosphere.

INDIVIDUALLY PACKED LIGHTS

The product codes starting with letter Y include an individually packed luminaire. The product codes starting with TW include the luminaire only.

Product Code	IP Class	Luminous Flux (lm)
Y5052WM	IP20	168

Product Code	TWT5052WM
Feature	Lumi Test
Mounting (standard)	recess
Customs Code	94056080
GTIN Code	6438045008196
ETIM Product Class	EC001957
Length	101 mm
Width	101 mm
Height	55 mm
Weight	0,6 kg
Backup	1 h
Max Input Power VA	3 VA
Nominal Supply Voltage	220-240 V, 50/60 Hz AC
Protection Class	I
IP Class	IP20
Temperature Range Min - Max	0...+35 °C
Glow Wire Test of Plastic Materials	850 °C
Light Source	LED
Body Material	plastic
Aperture for Recess Mounting	ø75 mm

We reserve the rights to make modifications without notice.
Copyright © 2021 Teknoware. All rights reserved.
Date: February 14, 2021 | Source:
www.teknoware.com/en/emergency-lighting/linespot-led-emergency-light-twt5052wm

Teknoware Oy | P.O. Box 19, 15101 Lahti | Ilmarisentie 8, 15200 Lahti Finland
Tel +358 3 883 020 | VAT-number FI01494751 | teknoware.com | emexit@teknoware.com

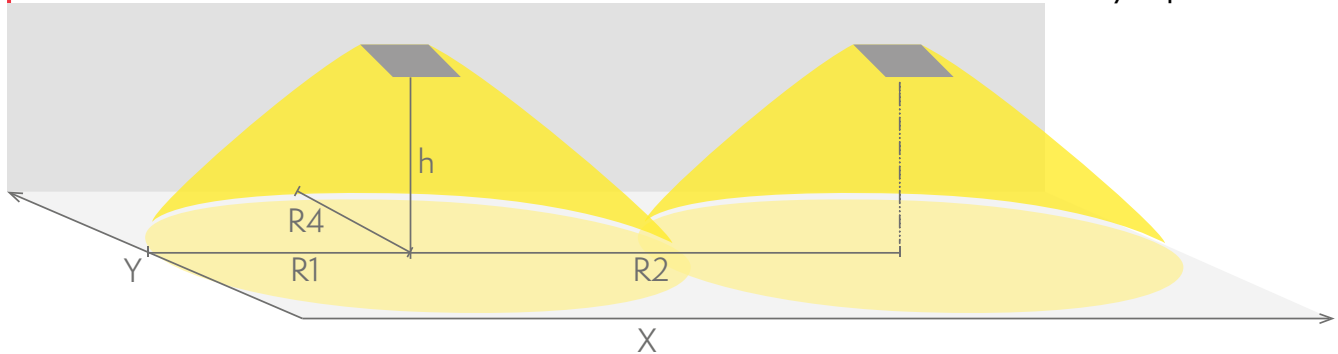


Colour	RAL9003
Electrical Installation	3 x 2,5 mm ²
Luminous Flux	168 lm

Emergency lighting for escape routes (ceiling mounting)

Table of 1 lux for escape routes in the middle line according to the norm EN 1838.

Level of measurement 0,02 m, measurement result with battery operation.



R1 distance from wall (X axis)

R2 installation distance between lights (X axis)

R4 distance from wall (Y axis)

TWT5052WM

Mounting height (m)	Below the light lux	R1 (m)	R2 (m)	R4 (m)
		1 lux	1 lux	1 lux
2,5	32	5	11	2
4	12,5	6	15	2
6	5,6	6	18	1,5
8	3,1	5	18	1,5
10	2	4	16	1,5

SPARE PARTS:

SPARE PARTS FOR EMERGENCY LIGHTS



Product Code	Product Name	Compatible Product Groups
W120006	Battery package W120006	

We reserve the rights to make modifications without notice.

Copyright © 2021 Teknoware. All rights reserved.

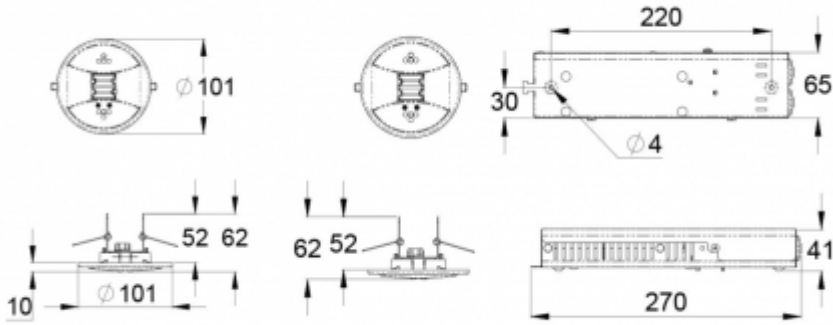
Date: February 14, 2021 | Source:

www.teknoware.com/en/emergency-lighting/linespot-led-emergency-light-twt5052wm

Teknoware Oy | P.O. Box 19, 15101 Lahti | Ilmarisentie 8, 15200 Lahti Finland

Tel +358 3 883 020 | VAT-number FI01494751 | teknoware.com | emexit@teknoware.com



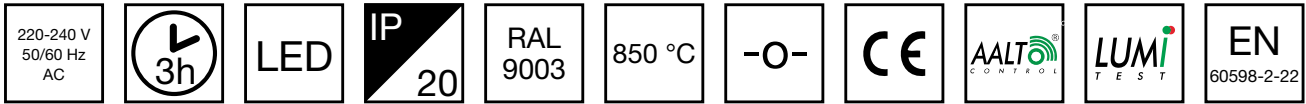


We reserve the rights to make modifications without notice.
 Copyright © 2021 Teknoware. All rights reserved.
 Date: February 14, 2021 | Source:
www.teknoware.com/en/emergency-lighting/linespot-led-emergency-light-twt5052wm

Teknoware Oy | P.O. Box 19, 15101 Lahti | Ilmarisentie 8, 15200 Lahti Finland
 Tel +358 3 883 020 | VAT-number FI01494751 | teknoware.com | emexit@teknoware.com



LINESPOT LED EMERGENCY LIGHT TWT5053WA



Self-contained LED Emergency Light with 3 h Battery and Wireless Central Monitoring

Linespot is especially designed for high corridor lighting. It utilizes the latest LED technology. The luminaire optics are designed to give long and a narrow pattern area that illuminates the escape route efficiently, and enables longer distances between the luminaires, from about 2.5 -10 m installation height.

Linespot's small size and stylish design enables the implementation of a energy efficient emergency lighting without visually disrupting the interiors atmosphere.

INDIVIDUALLY PACKED LIGHTS

The product codes starting with letter Y include an individually packed luminaire. The product codes starting with TW include the luminaire only.

Product Code	IP Class	Luminous Flux (lm)
Y5053WA	IP20	168

Product Code	TWT5053WA
Feature	Aalto Control, Lumi Test
Mounting (standard)	recess
Customs Code	94056080
GTIN Code	6438045008202
ETIM Product Class	EC001957
Length	101 mm
Width	101 mm
Height	55 mm
Weight	0,8 kg
Backup	3 h
Max Input Power VA	6 VA
Nominal Supply Voltage	220-240 V, 50/60 Hz AC
Protection Class	I
IP Class	IP20
Temperature Range Min - Max	0...+35 °C
Glow Wire Test of Plastic Materials	850 °C
Light Source	LED
Body Material	plastic
Aperture for Recess Mounting	ø75 mm

We reserve the rights to make modifications without notice.
Copyright © 2021 Teknoware. All rights reserved.
Date: February 14, 2021 | Source:
www.teknoware.com/en/emergency-lighting/linespot-led-emergency-light-twt5053wa

Teknoware Oy | P.O. Box 19, 15101 Lahti | Ilmarisentie 8, 15200 Lahti Finland
Tel +358 3 883 020 | VAT-number FI01494751 | teknoware.com | emexit@teknoware.com

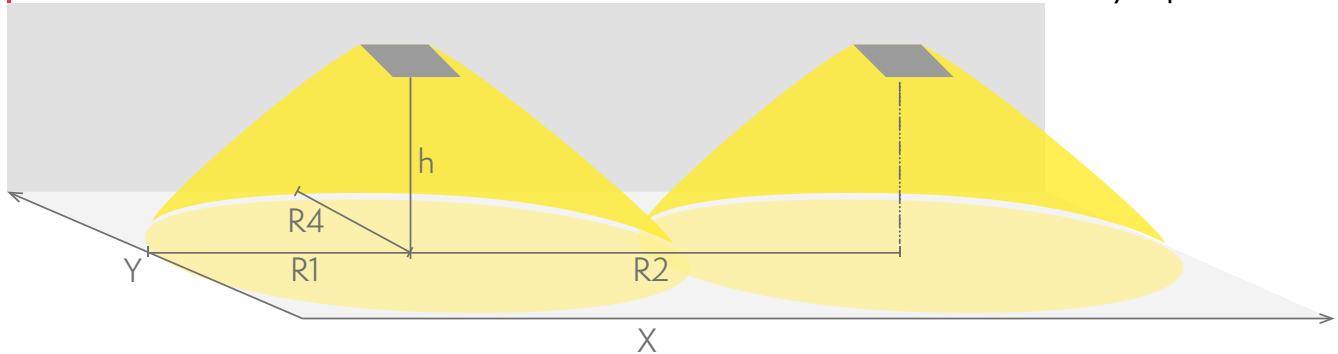


Colour	RAL9003
Electrical Installation	3 x 2,5 mm ²
Luminous Flux	168 lm

Emergency lighting for escape routes (ceiling mounting)

Table of 1 lux for escape routes in the middle line according to the norm EN 1838.

Level of measurement 0,02 m, measurement result with battery operation.



R1 distance from wall (X axis)

R2 installation distance between lights (X axis)

R4 distance from wall (Y axis)

TWT5053WA

Mounting height (m)	Below the light lux	R1 (m)	R2 (m)	R4 (m)
		1 lux	1 lux	1 lux
2,5	32	5	11	2
4	12,5	6	15	2
6	5,6	6	18	1,5
8	3,1	5	18	1,5
10	2	4	16	1,5

SPARE PARTS:

SPARE PARTS FOR EMERGENCY LIGHTS



Product Code	Product Name	Compatible Product Groups
W120007	Battery package W120007	

We reserve the rights to make modifications without notice.

Copyright © 2021 Teknoware. All rights reserved.

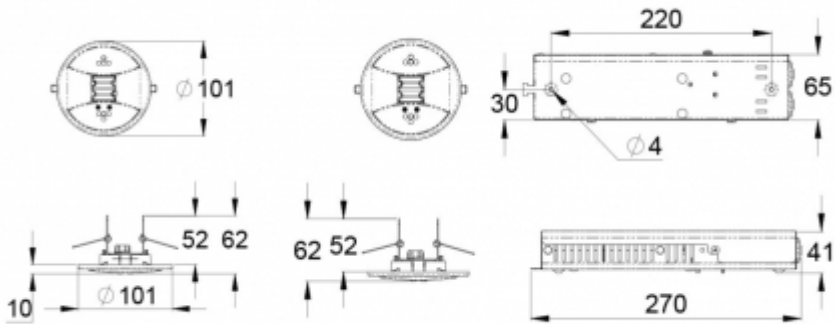
Date: February 14, 2021 | Source:

www.teknoware.com/en/emergency-lighting/linespot-led-emergency-light-twt5053wa



Teknoware Oy | P.O. Box 19, 15101 Lahti | Ilmarisentie 8, 15200 Lahti Finland

Tel +358 3 883 020 | VAT-number FI01494751 | teknoware.com | emexit@teknoware.com

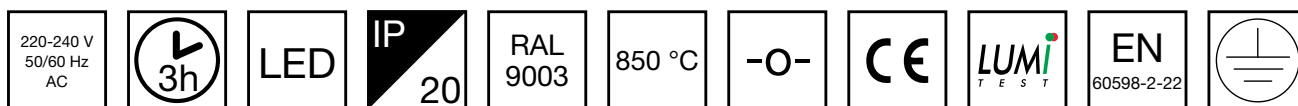
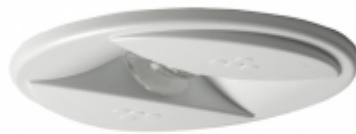


We reserve the rights to make modifications without notice.
Copyright © 2021 Teknoware. All rights reserved.
Date: February 14, 2021 | Source:
www.teknoware.com/en/emergency-lighting/linespot-led-emergency-light-twt5053wa

Teknoware Oy | P.O. Box 19, 15101 Lahti | Ilmarisentie 8, 15200 Lahti Finland
Tel +358 3 883 020 | VAT-number FI01494751 | teknoware.com | emexit@teknoware.com



LINESPOT LED EMERGENCY LIGHT TWT5053WM



Self-contained LED Emergency Exit Light with 3 h Battery and Lumi Test Self-testing

Linespot is especially designed for high corridor lighting. It utilizes the latest LED technology. The luminaire optics are designed to give long and a narrow pattern area that illuminates the escape route efficiently, and enables longer distances between the luminaires, from about 2.5 -10 m installation height.

Linespot's small size and stylish design enables the implementation of a energy efficient emergency lighting without visually disrupting the interiors atmosphere.

INDIVIDUALLY PACKED LIGHTS

The product codes starting with letter Y include an individually packed luminaire. The product codes starting with TW include the luminaire only.

Product Code	IP Class	Luminous Flux (lm)
Y5053WM	IP20	168

Product Code	TWT5053WM
Feature	Lumi Test
Mounting (standard)	recess
Customs Code	94056080
GTIN Code	6438045008219
ETIM Product Class	EC001957
Length	101 mm
Width	101 mm
Height	55 mm
Weight	0,8 kg
Backup	3 h
Max Input Power VA	6 VA
Nominal Supply Voltage	220-240 V, 50/60 Hz AC
Protection Class	I
IP Class	IP20
Temperature Range Min - Max	0...+35 °C
Glow Wire Test of Plastic Materials	850 °C
Light Source	LED
Body Material	plastic
Aperture for Recess Mounting	ø75 mm

We reserve the rights to make modifications without notice.

Copyright © 2021 Teknoware. All rights reserved.

Date: February 14, 2021 | Source:

www.teknoware.com/en/emergency-lighting/linespot-led-emergency-light-twt5053wm

Teknoware Oy | P.O. Box 19, 15101 Lahti | Ilmarisentie 8, 15200 Lahti Finland

Tel +358 3 883 020 | VAT-number FI01494751 | teknoware.com | emexit@teknoware.com

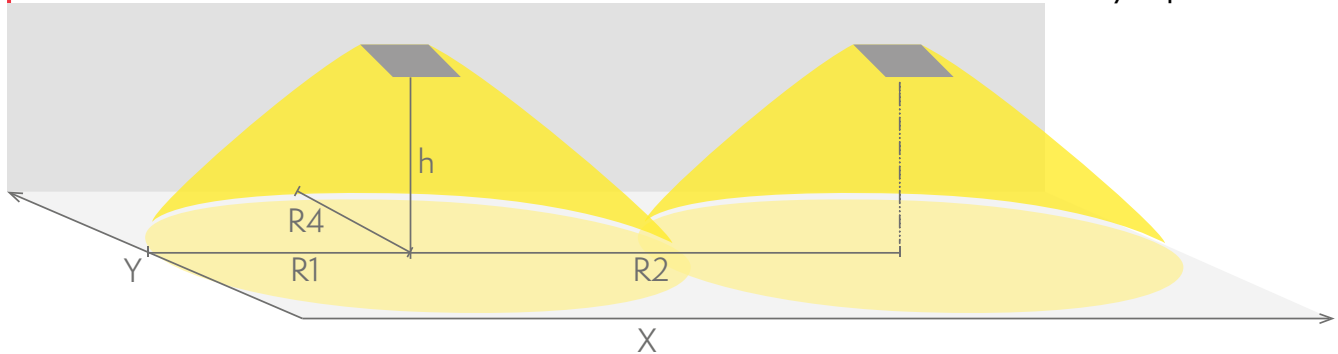


Colour	RAL9003
Electrical Installation	3 x 2,5 mm ²
Luminous Flux	168 lm

Emergency lighting for escape routes (ceiling mounting)

Table of 1 lux for escape routes in the middle line according to the norm EN 1838.

Level of measurement 0,02 m, measurement result with battery operation.



R1 distance from wall (X axis)

R2 installation distance between lights (X axis)

R4 distance from wall (Y axis)

TWT5053WM

Mounting height (m)	Below the light lux	R1 (m)	R2 (m)	R4 (m)
		1 lux	1 lux	1 lux
2,5	32	5	11	2
4	12,5	6	15	2
6	5,6	6	18	1,5
8	3,1	5	18	1,5
10	2	4	16	1,5

SPARE PARTS:

SPARE PARTS FOR EMERGENCY LIGHTS



Product Code	Product Name	Compatible Product Groups
W120007	Battery package W120007	

We reserve the rights to make modifications without notice.

Copyright © 2021 Teknoware. All rights reserved.

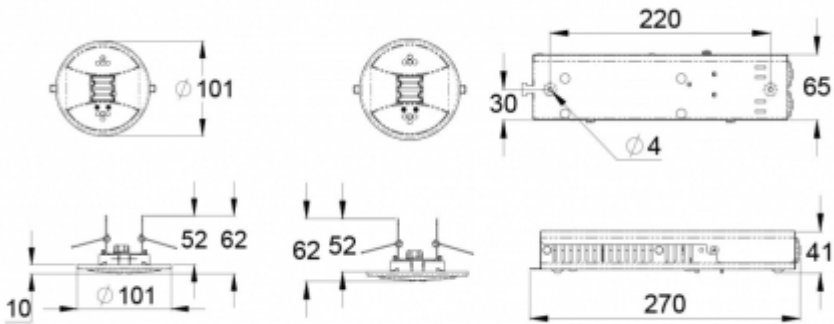
Date: February 14, 2021 | Source:

www.teknoware.com/en/emergency-lighting/linespot-led-emergency-light-twt5053wm

Teknoware Oy | P.O. Box 19, 15101 Lahti | Ilmarisentie 8, 15200 Lahti Finland

Tel +358 3 883 020 | VAT-number FI01494751 | teknoware.com | emexit@teknoware.com



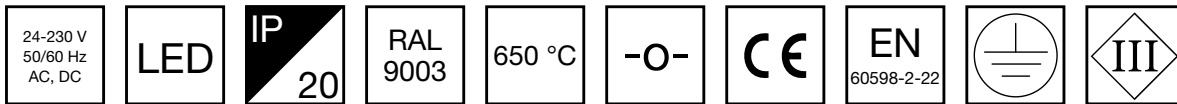


We reserve the rights to make modifications without notice.
Copyright © 2021 Teknoware. All rights reserved.
Date: February 14, 2021 | Source:
www.teknoware.com/en/emergency-lighting/linespot-led-emergency-light-twt5053wm

Teknoware Oy | P.O. Box 19, 15101 Lahti | Ilmarisentie 8, 15200 Lahti Finland
Tel +358 3 883 020 | VAT-number FI01494751 | teknoware.com | emexit@teknoware.com



LINESPOT LED EMERGENCY LIGHT TWT5071W



24-230 V centrally supplied LED emergency light

Linespot is especially designed for high corridor lighting. It utilizes the latest LED technology. The luminaire optics are designed to give long and a narrow pattern area that illuminates the escape route efficiently, and enables longer distances between the luminaires, from about 2.5 -10 m installation height.

Linespot's small size and stylish design enables the implementation of a energy efficient emergency lighting without visually disrupting the interiors atmosphere.

INDIVIDUALLY PACKED LIGHTS

The product codes starting with letter Y include an individually packed luminaire. The product codes starting with TW include the luminaire only.

Product Code	IP Class	Luminous Flux (lm)
Y5071W	IP20	168

Product Code	TWT5071W
Mounting (standard)	recess
Customs Code	94056080
GTIN Code	6438045007212
ETIM Product Class	EC001957
Length	101 mm
Width	101 mm
Height	55 mm
Weight	0,4 kg
Max Input Power VA	7,5 VA (24 V), 11 VA (230 V)
Max Input Power W	4 W (24 V), 4 W (230 V)
Nominal Supply Voltage	24-230 V, 50/60 Hz AC, DC
Protection Class	III (24 V), I (230 V)
IP Class	IP20
Temperature Range Min - Max	-30...+50 °C
Glow Wire Test of Plastic Materials	650 °C
Light Source	LED
Body Material	plastic
Aperture for Recess Mounting	ø75 mm
Colour	RAL9003

We reserve the rights to make modifications without notice.

Copyright © 2021 Teknoware. All rights reserved.

Date: February 14, 2021 | Source:

www.teknoware.com/en/emergency-lighting/linespot-led-emergency-light-twt5071w

Teknoware Oy | P.O. Box 19, 15101 Lahti | Ilmarisentie 8, 15200 Lahti Finland

Tel +358 3 883 020 | VAT-number FI01494751 | teknoware.com | emexit@teknoware.com

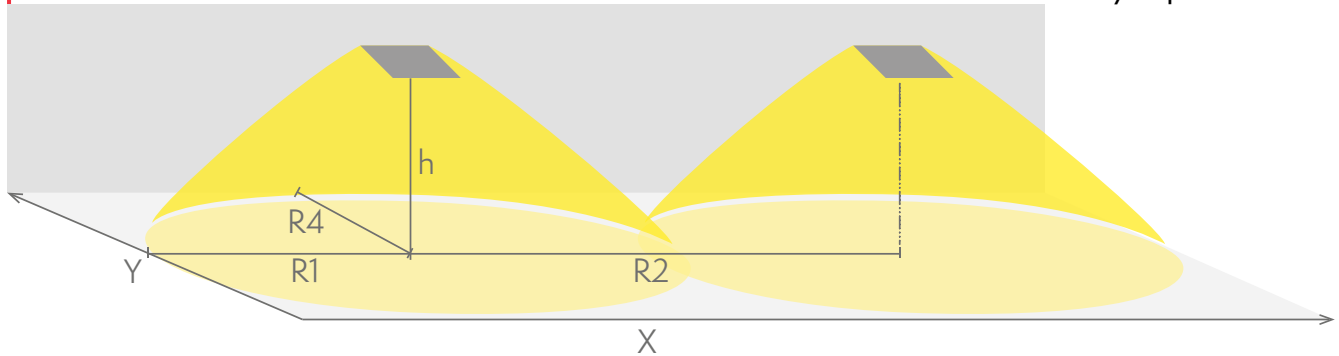


Electrical Installation	2 x 2,5 mm ² (24 V), 3 x 2,5 mm ² (230 V)
Luminous Flux	168 lm

Emergency lighting for escape routes (ceiling mounting)

Table of 1 lux for escape routes in the middle line according to the norm EN 1838.

Level of measurement 0,02 m, measurement result with battery operation.



R1 distance from wall (X axis)

R2 installation distance between lights (X axis)

R4 distance from wall (Y axis)

TWT5071W

Mounting height (m)	Below the light lux	R1 (m)	R2 (m)	R4 (m)
		1 lux	1 lux	1 lux
2,5	32	5	11	2
4	12,5	6	15	2
6	5,6	6	18	1,5
8	3,1	5	18	1,5
10	2	4	16	1,5

SPARE PARTS:

SPARE PARTS FOR EMERGENCY LIGHTS



Product Code	Product Name	Compatible Product Groups
W100006	Ballast W100006	Addressable 230 V Centrally Supplied Emergency Exit Lights, Addressable 230 V Centrally Supplied Emergency Lights

We reserve the rights to make modifications without notice.

Copyright © 2021 Teknoware. All rights reserved.

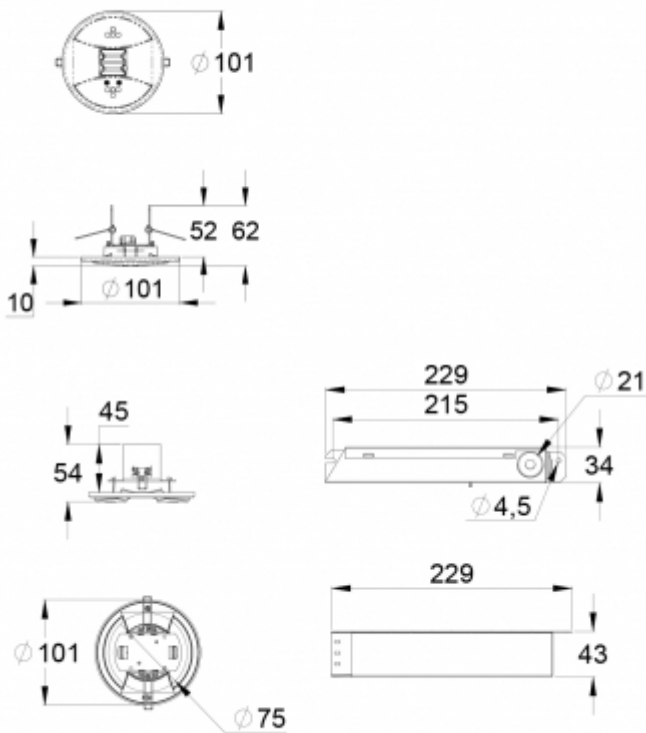
Date: February 14, 2021 | Source:

www.teknoware.com/en/emergency-lighting/linespot-led-emergency-light-twt5071w



Teknoware Oy | P.O. Box 19, 15101 Lahti | Ilmarisentie 8, 15200 Lahti Finland

Tel +358 3 883 020 | VAT-number FI01494751 | teknoware.com | emexit@teknoware.com



We reserve the rights to make modifications without notice.
Copyright © 2021 Teknoware. All rights reserved.
Date: February 14, 2021 | Source:
www.teknoware.com/en/emergency-lighting/linespot-led-emergency-light-twt5071w

Teknoware Oy | P.O. Box 19, 15101 Lahti | Ilmarisentie 8, 15200 Lahti Finland
Tel +358 3 883 020 | VAT-number FI01494751 | teknoware.com | emexit@teknoware.com

