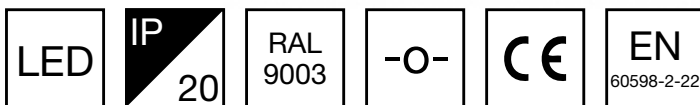


SLIMSPOT EMERGENCY LIGHTS



Slimspot is a recessed LED emergency light, which, thanks to its compact size and straight-line design blends seamlessly into the roof structure. The luminaires do not therefore stand out from the area's architecture.

Slimspot uses the latest LED technology and is an energy efficient emergency light. The optics have been designed in such a way, that the LED luminaire does not have a disturbing bright central point of light.

We reserve the rights to make modifications without notice.

Copyright © 2021 Teknoware. All rights reserved.

Date: February 14, 2021 | Source:

www.teknoware.com/en/emergency-lighting/emergency-lights/emergency-light-product-families/slimspot-emergency-lights



Teknoware Oy | P.O. Box 19, 15101 Lahti | Ilmarisentie 8, 15200 Lahti Finland
Tel +358 3 883 020 | VAT-number FI01494751 | teknoware.com | emexit@teknoware.com

The product codes starting with letter Y include an individually packed luminaire. The product codes starting with TW include the luminaire only.

SELF-CONTAINED ESCAP EMERGENCY LIGHTS WITH SUPER CAPACITOR AND SELF-TESTING

| Product Code | Nominal Supply Voltage | Feature | Backup (h) | Form |
|--------------|------------------------|------------------|------------|------|
| TWS9792WM4 | 220-240 V, 50/60 Hz AC | Escap, Lumi Test | 1 | |
| TWS9792WM | 220-240 V, 50/60 Hz AC | Escap, Lumi Test | 1 | ● |
| Y9792WM | 220-240 V, 50/60 Hz AC | Escap, Lumi Test | 1 | |

SELF-CONTAINED ESCAP EMERGENCY LIGHTS WITH SUPER CAPACITOR AND WIRELESS CENTRAL MONITORING

| Product Code | Nominal Supply Voltage | Feature | Backup (h) |
|--------------|------------------------|---------------------------------|------------|
| TWS9792WA4 | 220-240 V, 50/60 Hz AC | Aalto Control, Escap, Lumi Test | 1 |
| TWS9792WA | 220-240 V, 50/60 Hz AC | Aalto Control, Escap, Lumi Test | 1 |
| Y9792WA | 220-240 V, 50/60 Hz AC | Aalto Control, Escap, Lumi Test | 1 |

SELF-CONTAINED EMERGENCY LIGHTS WITH BATTERY AND SELF-TESTING

| Product Code | Nominal Supply Voltage | Feature | Backup (h) |
|--------------|------------------------|-----------|------------|
| TWT9752WM | 220-240 V, 50/60 Hz AC | Lumi Test | 1 |
| Y9752WM | 220-240 V, 50/60 Hz AC | Lumi Test | 1 |
| TWT9753WM | 220-240 V, 50/60 Hz AC | Lumi Test | 3 |

SELF-CONTAINED EMERGENCY LIGHTS WITH BATTERY AND WIRELESS CENTRAL MONITORING

| Product Code | Nominal Supply Voltage | Feature | Backup (h) |
|--------------|------------------------|--------------------------|------------|
| TWT9752WA | 220-240 V, 50/60 Hz AC | Aalto Control, Lumi Test | 1 |
| TWT9753WA | 220-240 V, 50/60 Hz AC | Aalto Control, Lumi Test | 3 |

ADDRESSABLE 230 V CENTRALLY SUPPLIED EMERGENCY LIGHTS

| Product Code | Nominal Supply Voltage | Feature |
|--------------|----------------------------|---------------------------------------|
| TWT9751WK | 220-240 V, 50/60 Hz AC, DC | Intelligent Controller, Tapsa Control |
| Y9751WK | 220-240 V, 50/60 Hz AC, DC | Intelligent Controller, Tapsa Control |

We reserve the rights to make modifications without notice.

Copyright © 2021 Teknoware. All rights reserved.

Date: February 14, 2021 | Source:

www.teknoware.com/en/emergency-lighting/emergency-lights/emergency-light-product-families/slimspot-emergency-lights



Teknoware Oy | P.O. Box 19, 15101 Lahti | Ilmarisentie 8, 15200 Lahti Finland

Tel +358 3 883 020 | VAT-number FI01494751 | teknoware.com | emexit@teknoware.com

NON-ADDRESSABLE 230 V CENTRALLY SUPPLIED EMERGENCY LIGHTS

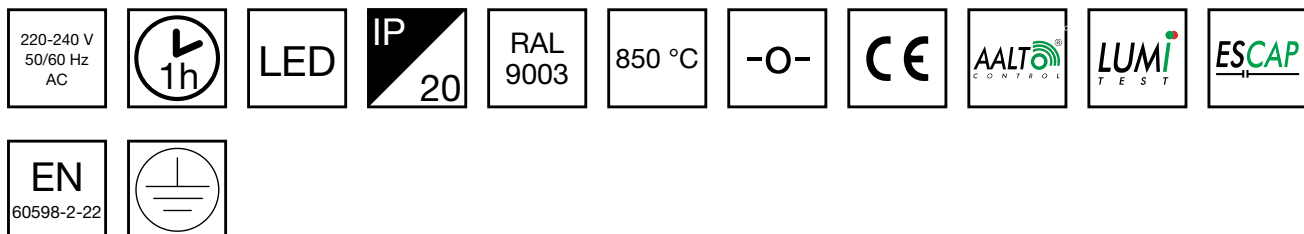
| Product Code | Nominal Supply Voltage | Feature |
|--------------|---------------------------|---------|
| TWT9771W | 24-230 V, 50/60 Hz AC, DC | |
| Y9771W | 24-230 V, 50/60 Hz AC, DC | |

We reserve the rights to make modifications without notice.
Copyright © 2021 Teknoware. All rights reserved.
Date: February 14, 2021 | Source:
www.teknoware.com/en/emergency-lighting/emergency-lights/emergency-light-product-families/slimspot-emergency-lights

Teknoware Oy | P.O. Box 19, 15101 Lahti | Ilmarisentie 8, 15200 Lahti Finland
Tel +358 3 883 020 | VAT-number FI01494751 | teknoware.com | emexit@teknoware.com



SLIMSPOT LED EMERGENCY LIGHT TWS9792WA



Self-contained 1 h ESCAP super capacitor, Aalto Control compatible, LED emergency light

Slimspot is a recessed LED emergency light, which, thanks to its compact size and straight-line design blends seamlessly into the roof structure. The luminaires do not therefore stand out from the area's architecture.

Slimspot uses the latest LED technology and is an energy efficient emergency light. The optics have been designed in such a way, that the LED luminaire does not have a disturbing bright central point of light.

INDIVIDUALLY PACKED LIGHTS

The product codes starting with letter Y include an individually packed luminaire. The product codes starting with TW include the luminaire only.

| Product Code | IP Class | Luminous Flux (lm) |
|--------------|----------|--------------------|
| Y9792WA | IP20 | 60 |

| | |
|-------------------------------------|---------------------------------|
| Product Code | TWS9792WA |
| Feature | Aalto Control, Escap, Lumi Test |
| Mounting (standard) | recess |
| Customs Code | 94056080 |
| GTIN Code | 6438045009087 |
| ETIM Product Class | EC001957 |
| Length | 90 mm |
| Width | 90 mm |
| Height | 50 mm |
| Weight | 0,8 kg |
| Backup | 1 h |
| Max Input Power VA | 3 VA |
| Nominal Supply Voltage | 220-240 V, 50/60 Hz AC |
| Protection Class | I |
| IP Class | IP20 |
| Temperature Range Min - Max | -25...+35 °C |
| Glow Wire Test of Plastic Materials | 850 °C |
| Light Source | LED |
| Body Material | metal |
| Aperture for Recess Mounting | ø75 mm |

We reserve the rights to make modifications without notice.
Copyright © 2021 Teknoware. All rights reserved.
Date: February 14, 2021 | Source:
www.teknoware.com/en/emergency-lighting/slimspot-led-emergency-light-tws9792wa

Teknoware Oy | P.O. Box 19, 15101 Lahti | Ilmarisentie 8, 15200 Lahti Finland
Tel +358 3 883 020 | VAT-number FI01494751 | teknoware.com | emexit@teknoware.com

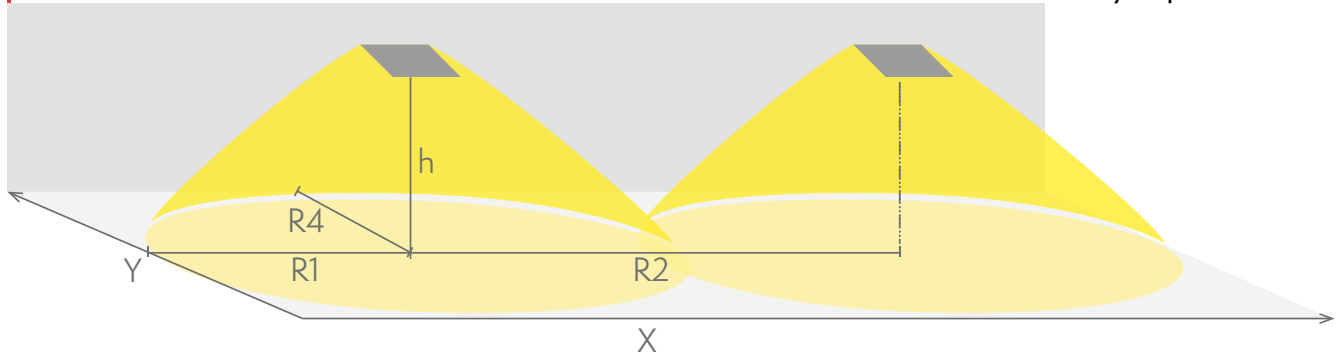


| | |
|-------------------------|-------------------------|
| Colour | RAL9003 |
| Electrical Installation | 3 x 2,5 mm ² |
| Luminous Flux | 60 lm |

Emergency lighting for escape routes (ceiling mounting)

Table of 1 lux for escape routes in the middle line according to the norm EN 1838.

Level of measurement 0,02 m, measurement result with battery operation.



R1 distance from wall (X axis)

R2 installation distance between lights (X axis)

R4 distance from wall (Y axis)

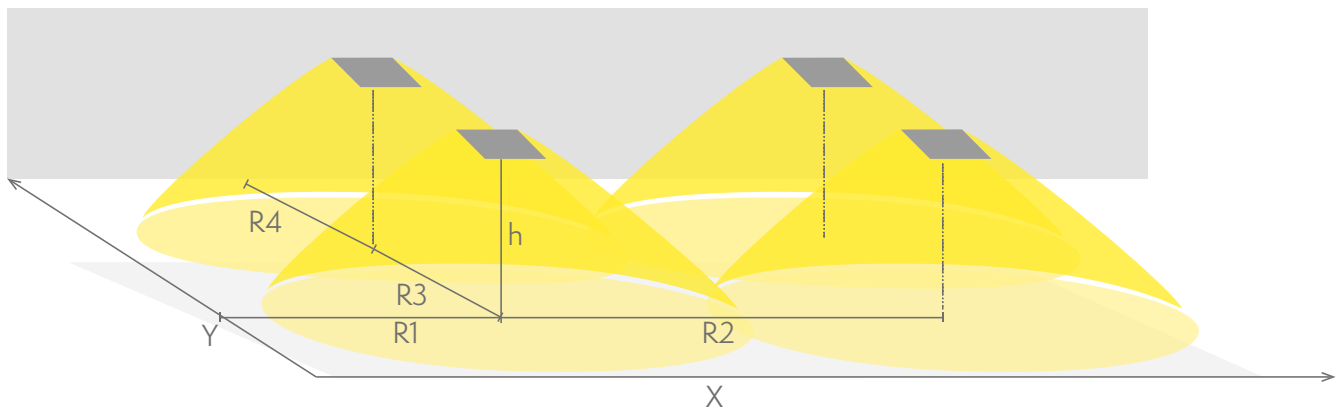
TWS9792WA

| Mounting height (m) | Below the light lux | R1 (m) | R2 (m) | R4 (m) |
|---------------------|---------------------|--------|--------|--------|
| | | 1 lux | 1 lux | 1 lux |
| 2,5 | 3,4 | 1,8 | 5,5 | 1,8 |
| 3 | 2,5 | 1,8 | 5,5 | 1,8 |
| 4 | 1,5 | 1,5 | 5,5 | 1,5 |

Emergency lighting for open areas (ceiling mounting)

Table of 0,5 lux for open areas according to the norm EN 1838, 0,5 m edge district is considered in the table.

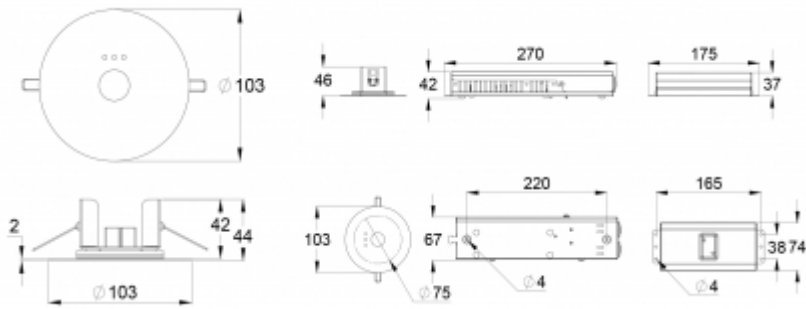
Level of measurement 0,02 m, measurement result with battery operation.



- R1 distance from wall (X axis)
- R2 installation distance between lights (X axis)
- R3 installation distance between lights (Y axis)
- R4 distance from wall (Y axis)

TWS9792WA

| Mounting height (m) | Below the light lux | R1 (m) | R2 (m) | R3 (m) | R4 (m) |
|---------------------|---------------------|---------|---------|---------|---------|
| | | 0,5 lux | 0,5 lux | 0,5 lux | 0,5 lux |
| 2,5 | 3,4 | 2,5 | 6,5 | 6,5 | 2,5 |
| 3 | 2,5 | 2,7 | 6,5 | 6,5 | 2,7 |
| 4 | 1,5 | 3 | 7 | 7 | 3 |



We reserve the rights to make modifications without notice.

Copyright © 2021 Teknoware. All rights reserved.

Date: February 14, 2021 | Source:

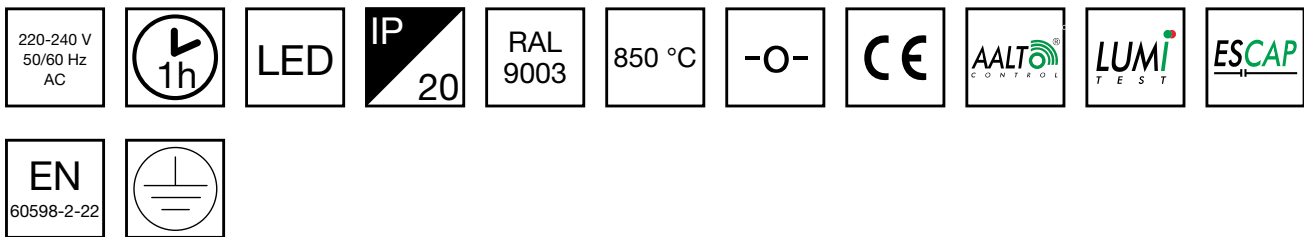
www.teknoware.com/en/emergency-lighting/slimspot-led-emergency-light-tws9792wa

Teknoware Oy | P.O. Box 19, 15101 Lahti | Ilmarisentie 8, 15200 Lahti Finland

Tel +358 3 883 020 | VAT-number FI01494751 | teknoware.com | emexit@teknoware.com



SLIMSPOT LED EMERGENCY LIGHT TWS9792WA4



Self-contained 1 h ESCAP super capacitor, Aalto Control compatible, LED emergency light

Slimspot is a recessed LED emergency light, which, thanks to its compact size and straight-line design blends seamlessly into the roof structure. The luminaires do not therefore stand out from the area's architecture.

Slimspot uses the latest LED technology and is an energy efficient emergency light. The optics have been designed in such a way, that the LED luminaire does not have a disturbing bright central point of light. In this model the electronics and capacitors are in the same casing.

| | |
|-------------------------------------|---------------------------------|
| Product Code | TWS9792WA4 |
| Feature | Aalto Control, Escap, Lumi Test |
| Mounting (standard) | recess |
| GTIN Code | 6438045024479 |
| ETIM Product Class | EC001957 |
| Length | 100 mm |
| Width | 100 mm |
| Height | 50 mm |
| Weight | 0,8 kg |
| Backup | 1 h |
| Max Input Power VA | 3 VA |
| Nominal Supply Voltage | 220-240 V, 50/60 Hz AC |
| Protection Class | I |
| IP Class | IP20 |
| Temperature Range Min - Max | -25...+35 °C |
| Glow Wire Test of Plastic Materials | 850 °C |
| Light Source | LED |
| Body Material | metal |
| Aperture for Recess Mounting | ø75 mm |
| Colour | RAL9003 |
| Electrical Installation | 3 x 2,5 mm ² |
| Luminous Flux | 60 lm |

Emergency lighting for escape routes (ceiling mounting)

Table of 1 lux for escape routes in the middle line according to the norm EN 1838.

Level of measurement 0,02 m, measurement result with battery operation.

We reserve the rights to make modifications without notice.

Copyright © 2021 Teknoware. All rights reserved.

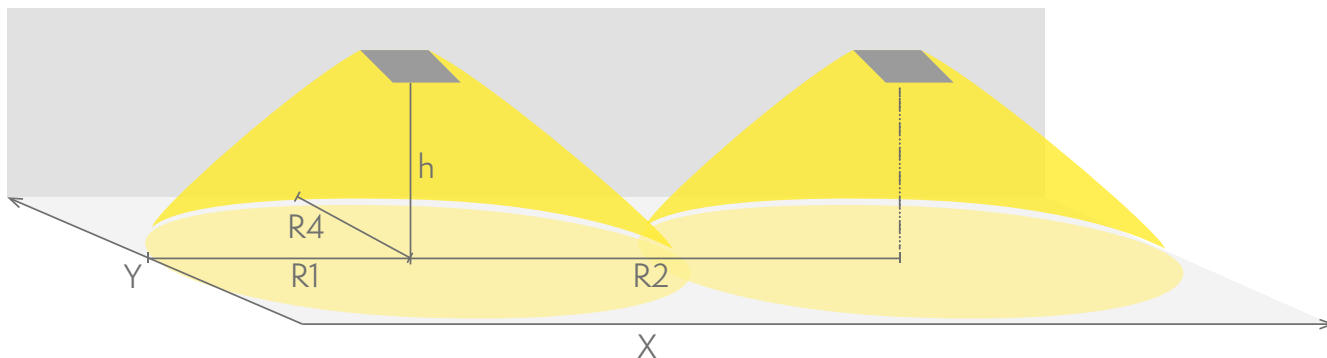
Date: February 14, 2021 | Source:

www.teknoware.com/en/emergency-lighting/slimspot-led-emergency-light-tws9792wa4

Teknoware Oy | P.O. Box 19, 15101 Lahti | Ilmarisentie 8, 15200 Lahti Finland

Tel +358 3 883 020 | VAT-number FI01494751 | teknoware.com | emexit@teknoware.com





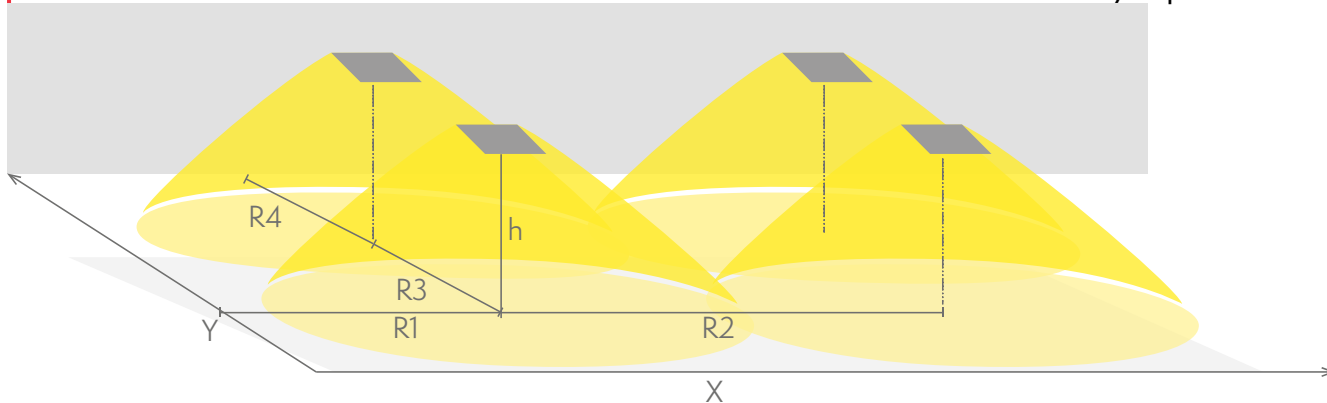
- R1 distance from wall (X axis)
- R2 installation distance between lights (X axis)
- R4 distance from wall (Y axis)

TWS9792WA4

| Mounting height (m) | Below the light lux | R1 (m) | R2 (m) | R4 (m) |
|---------------------|---------------------|--------|--------|--------|
| | | 1 lux | 1 lux | 1 lux |
| 2,5 | 3,4 | 1,8 | 5,5 | 1,8 |
| 3 | 2,5 | 1,8 | 5,5 | 1,8 |
| 4 | 1,5 | 1,5 | 5,5 | 1,5 |

Emergency lighting for open areas (ceiling mounting)

- Table of 0,5 lux for open areas according to the norm EN 1838, 0,5 m edge district is considered in the table.
- Level of measurement 0,02 m, measurement result with battery operation.



- R1 distance from wall (X axis)
- R2 installation distance between lights (X axis)
- R3 installation distance between lights (Y axis)
- R4 distance from wall (Y axis)

TWS9792WA4

| Mounting height (m) | Below the light lux | R1 (m) | R2 (m) | R3 (m) | R4 (m) |
|---------------------|---------------------|---------|---------|---------|---------|
| | | 0,5 lux | 0,5 lux | 0,5 lux | 0,5 lux |

We reserve the rights to make modifications without notice.
 Copyright © 2021 Teknoware. All rights reserved.
 Date: February 14, 2021 | Source:
www.teknoware.com/en/emergency-lighting/slimspot-led-emergency-light-tws9792wa4



| Mounting height (m) | Below the light lux | R1 (m) | R2 (m) | R3 (m) | R4 (m) |
|---------------------|---------------------|--------|--------|--------|--------|
| 2,5 | 3,4 | 2,5 | 6,5 | 6,5 | 2,5 |
| 3 | 2,5 | 2,7 | 6,5 | 6,5 | 2,7 |
| 4 | 1,5 | 3 | 7 | 7 | 3 |

We reserve the rights to make modifications without notice.

Copyright © 2021 Teknoware. All rights reserved.

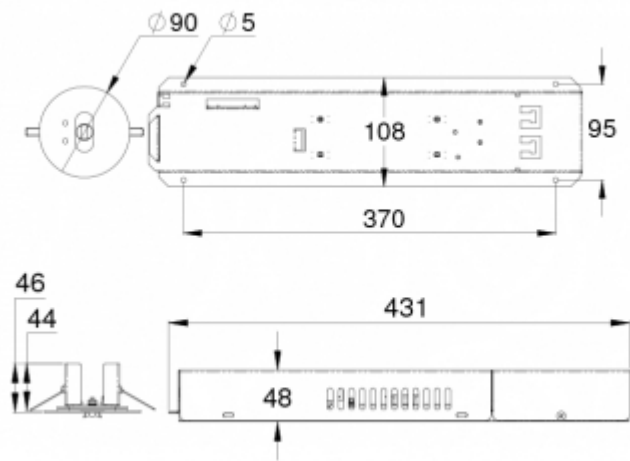
Date: February 14, 2021 | Source:

www.teknoware.com/en/emergency-lighting/slimspot-led-emergency-light-tws9792wa4

Teknoware Oy | P.O. Box 19, 15101 Lahti | Ilmarisentie 8, 15200 Lahti Finland

Tel +358 3 883 020 | VAT-number FI01494751 | teknoware.com | emexit@teknoware.com



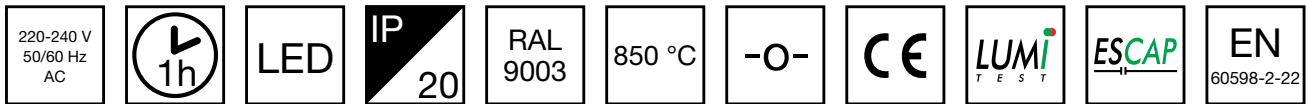


We reserve the rights to make modifications without notice.
Copyright © 2021 Teknoware. All rights reserved.
Date: February 14, 2021 | Source:
www.teknoware.com/en/emergency-lighting/slimspot-led-emergency-light-tws9792wa4

Teknoware Oy | P.O. Box 19, 15101 Lahti | Ilmarisentie 8, 15200 Lahti Finland
Tel +358 3 883 020 | VAT-number FI01494751 | teknoware.com | emexit@teknoware.com



SLIMSPOT LED EMERGENCY LIGHT TWS9792WM



Self-contained ESCAP Emergency Light with 1 h Super Capacitor and Lumi Test Self-testing

Slimspot is a recessed LED emergency light, which, thanks to its compact size and straight-line design blends seamlessly into the roof structure. The luminaires do not therefore stand out from the area's architecture.

Slimspot uses the latest LED technology and is an energy efficient emergency light. The optics have been designed in such a way, that the LED luminaire does not have a disturbing bright central point of light.

INDIVIDUALLY PACKED LIGHTS

The product codes starting with letter Y include an individually packed luminaire. The product codes starting with TW include the luminaire only.

| Product Code | IP Class | Luminous Flux (lm) |
|--------------|----------|--------------------|
| Y9792WM | IP20 | 60 |

| | |
|-------------------------------------|------------------------|
| Product Code | TWS9792WM |
| Feature | Escap, Lumi Test |
| Mounting (standard) | recess |
| Customs Code | 94056080 |
| GTIN Code | 6438045009094 |
| ETIM Product Class | EC001957 |
| Length | 90 mm |
| Width | 90 mm |
| Height | 50 mm |
| Weight | 0,8 kg |
| Backup | 1 h |
| Max Input Power VA | 3 VA |
| Nominal Supply Voltage | 220-240 V, 50/60 Hz AC |
| Protection Class | I |
| IP Class | IP20 |
| Temperature Range Min - Max | -25...+35 °C |
| Glow Wire Test of Plastic Materials | 850 °C |
| Light Source | LED |
| Body Material | metal |
| Aperture for Recess Mounting | ø75 mm |

We reserve the rights to make modifications without notice.

Copyright © 2021 Teknoware. All rights reserved.

Date: February 14, 2021 | Source:

www.teknoware.com/en/emergency-lighting/slimspot-led-emergency-light-tws9792wm

Teknoware Oy | P.O. Box 19, 15101 Lahti | Ilmarisentie 8, 15200 Lahti Finland

Tel +358 3 883 020 | VAT-number FI01494751 | teknoware.com | emexit@teknoware.com

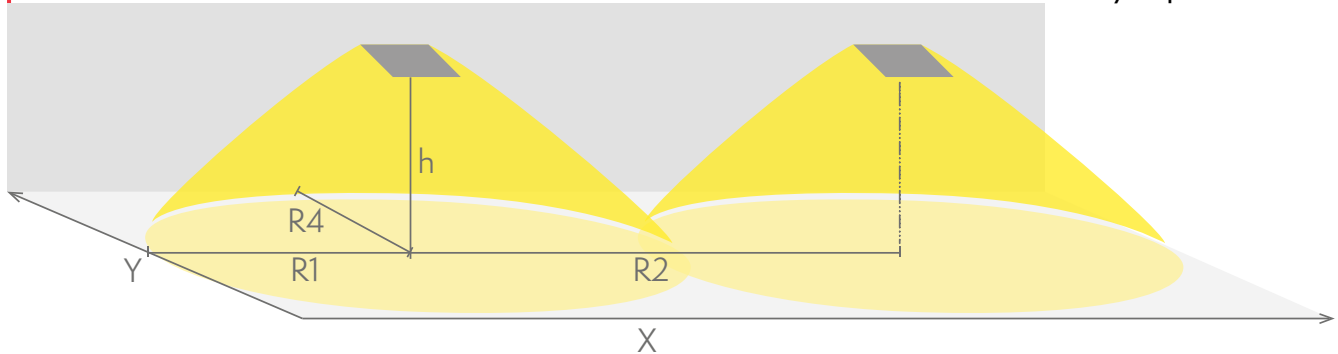


| | |
|-------------------------|-------------------------|
| Colour | RAL9003 |
| Electrical Installation | 3 x 2,5 mm ² |
| Luminous Flux | 60 lm |

Emergency lighting for escape routes (ceiling mounting)

Table of 1 lux for escape routes in the middle line according to the norm EN 1838.

Level of measurement 0,02 m, measurement result with battery operation.



R1 distance from wall (X axis)

R2 installation distance between lights (X axis)

R4 distance from wall (Y axis)

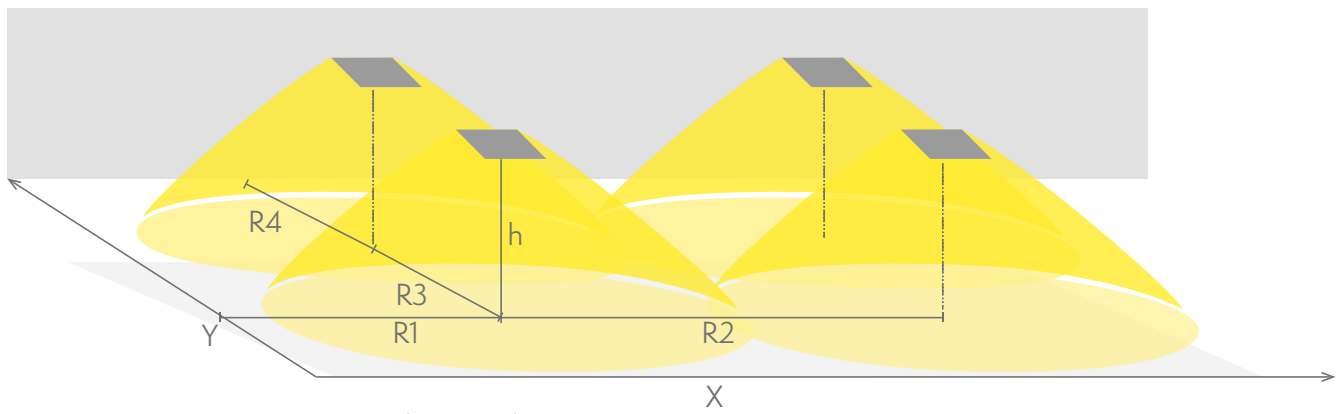
TWS9792WM

| Mounting height (m) | Below the light lux | R1 (m) | R2 (m) | R4 (m) |
|---------------------|---------------------|--------|--------|--------|
| | | 1 lux | 1 lux | 1 lux |
| 2,5 | 3,4 | 1,8 | 5,5 | 1,8 |
| 3 | 2,5 | 1,8 | 5,5 | 1,8 |
| 4 | 1,5 | 1,5 | 5,5 | 1,5 |

Emergency lighting for open areas (ceiling mounting)

Table of 0,5 lux for open areas according to the norm EN 1838, 0,5 m edge district is considered in the table.

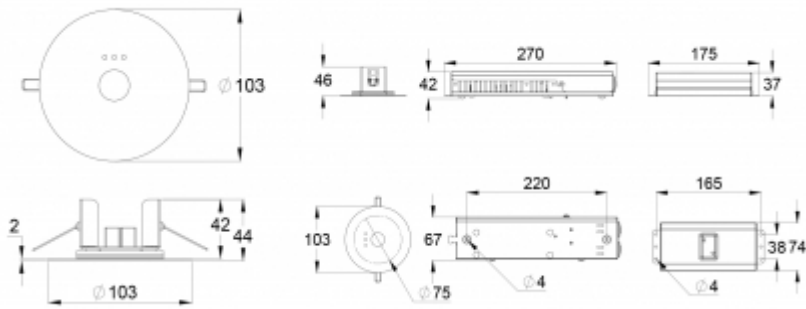
Level of measurement 0,02 m, measurement result with battery operation.



- R1 distance from wall (X axis)
- R2 installation distance between lights (X axis)
- R3 installation distance between lights (Y axis)
- R4 distance from wall (Y axis)

TWS9792WM

| Mounting height (m) | Below the light lux | R1 (m) | R2 (m) | R3 (m) | R4 (m) |
|---------------------|---------------------|---------|---------|---------|---------|
| | | 0,5 lux | 0,5 lux | 0,5 lux | 0,5 lux |
| 2,5 | 3,4 | 2,5 | 6,5 | 6,5 | 2,5 |
| 3 | 2,5 | 2,7 | 6,5 | 6,5 | 2,7 |
| 4 | 1,5 | 3 | 7 | 7 | 3 |



We reserve the rights to make modifications without notice.

Copyright © 2021 Teknoware. All rights reserved.

Date: February 14, 2021 | Source:

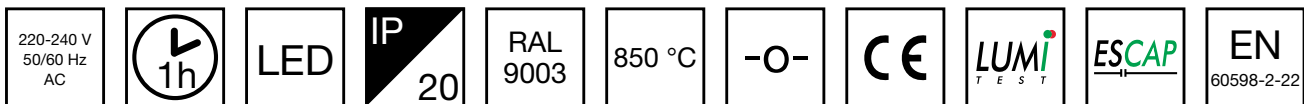
www.teknoware.com/en/emergency-lighting/slimspot-led-emergency-light-tws9792wm

Teknoware Oy | P.O. Box 19, 15101 Lahti | Ilmarisentie 8, 15200 Lahti Finland

Tel +358 3 883 020 | VAT-number FI01494751 | teknoware.com | emexit@teknoware.com



SLIMSPOT LED EMERGENCY LIGHT TWS9792WM4



Self-contained ESCAP Emergency Light with 1 h Super Capacitor and Lumi Test Self-testing

Slimspot is a recessed LED emergency light, which, thanks to its compact size and straight-line design blends seamlessly into the roof structure. The luminaires do not therefore stand out from the area's architecture.

Slimspot uses the latest LED technology and is an energy efficient emergency light. The optics have been designed in such a way, that the LED luminaire does not have a disturbing bright central point of light. In this model the electronics and capacitors are in the same casing.

We reserve the rights to make modifications without notice.

Copyright © 2021 Teknoware. All rights reserved.

Date: February 14, 2021 | Source:

www.teknoware.com/en/emergency-lighting/slimspot-led-emergency-light-tws9792wm4

Teknoware Oy | P.O. Box 19, 15101 Lahti | Ilmarisentie 8, 15200 Lahti Finland
Tel +358 3 883 020 | VAT-number FI01494751 | teknoware.com | emexit@teknoware.com



| | |
|-------------------------------------|-------------------------|
| Product Code | TWS9792WM4 |
| Feature | Escap, Lumi Test |
| Mounting (standard) | recess |
| GTIN Code | 6438045024486 |
| ETIM Product Class | EC001957 |
| Length | 100 mm |
| Width | 100 mm |
| Height | 50 mm |
| Weight | 0,8 kg |
| Backup | 1 h |
| Max Input Power VA | 3 VA |
| Nominal Supply Voltage | 220-240 V, 50/60 Hz AC |
| Protection Class | I |
| IP Class | IP20 |
| Temperature Range Min - Max | -25...+35 °C |
| Glow Wire Test of Plastic Materials | 850 °C |
| Light Source | LED |
| Body Material | metal |
| Aperture for Recess Mounting | ø75 mm |
| Colour | RAL9003 |
| Electrical Installation | 3 x 2,5 mm ² |
| Luminous Flux | 60 lm |

Emergency lighting for escape routes (ceiling mounting)

Table of 1 lux for escape routes in the middle line according to the norm EN 1838.

Level of measurement 0,02 m, measurement result with battery operation.

We reserve the rights to make modifications without notice.

Copyright © 2021 Teknoware. All rights reserved.

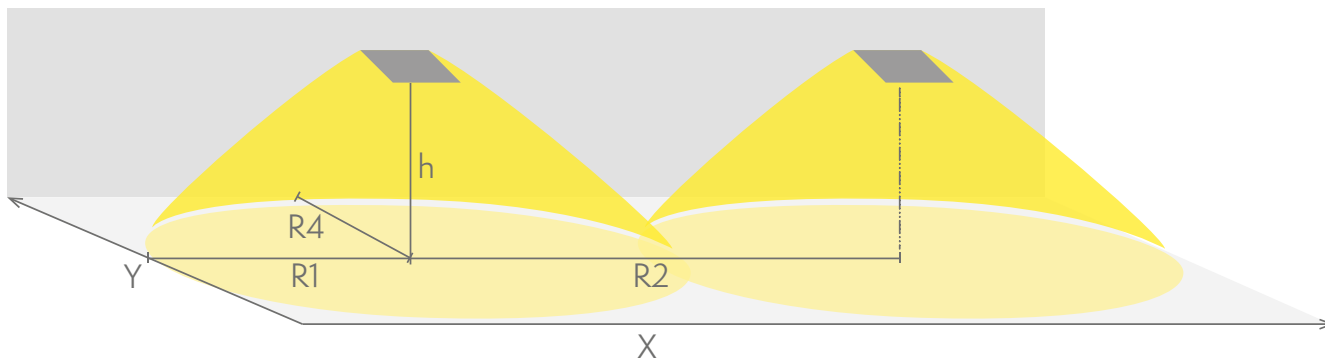
Date: February 14, 2021 | Source:

www.teknoware.com/en/emergency-lighting/slimspot-led-emergency-light-tws9792wm4

Teknoware Oy | P.O. Box 19, 15101 Lahti | Ilmarisentie 8, 15200 Lahti Finland

Tel +358 3 883 020 | VAT-number FI01494751 | teknoware.com | emexit@teknoware.com





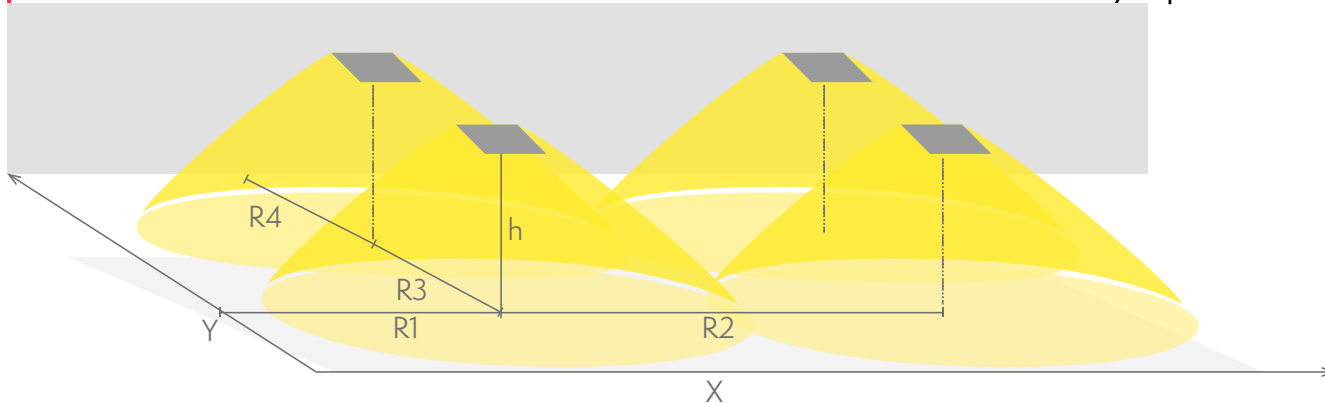
- R1 distance from wall (X axis)
- R2 installation distance between lights (X axis)
- R4 distance from wall (Y axis)

TWS9792WM4

| Mounting height (m) | Below the light lux | R1 (m) | R2 (m) | R4 (m) |
|---------------------|---------------------|--------|--------|--------|
| | | 1 lux | 1 lux | 1 lux |
| 2,5 | 3,4 | 1,8 | 5,5 | 1,8 |
| 3 | 2,5 | 1,8 | 5,5 | 1,8 |
| 4 | 1,5 | 1,5 | 5,5 | 1,5 |

Emergency lighting for open areas (ceiling mounting)

- Table of 0,5 lux for open areas according to the norm EN 1838, 0,5 m edge district is considered in the table.
- Level of measurement 0,02 m, measurement result with battery operation.



- R1 distance from wall (X axis)
- R2 installation distance between lights (X axis)
- R3 installation distance between lights (Y axis)
- R4 distance from wall (Y axis)

TWS9792WM4

| Mounting height (m) | Below the light lux | R1 (m) | R2 (m) | R3 (m) | R4 (m) |
|---------------------|---------------------|---------|---------|---------|---------|
| | | 0,5 lux | 0,5 lux | 0,5 lux | 0,5 lux |

We reserve the rights to make modifications without notice.
 Copyright © 2021 Teknoware. All rights reserved.
 Date: February 14, 2021 | Source:
www.teknoware.com/en/emergency-lighting/slimspot-led-emergency-light-tws9792wm4



| Mounting height (m) | Below the light lux | R1 (m) | R2 (m) | R3 (m) | R4 (m) |
|---------------------|---------------------|--------|--------|--------|--------|
| 2,5 | 3,4 | 2,5 | 6,5 | 6,5 | 2,5 |
| 3 | 2,5 | 2,7 | 6,5 | 6,5 | 2,7 |
| 4 | 1,5 | 3 | 7 | 7 | 3 |

We reserve the rights to make modifications without notice.

Copyright © 2021 Teknoware. All rights reserved.

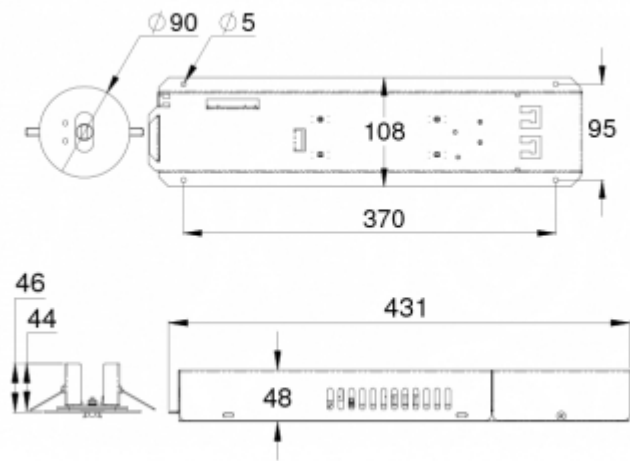
Date: February 14, 2021 | Source:

www.teknoware.com/en/emergency-lighting/slimspot-led-emergency-light-tws9792wm4

Teknoware Oy | P.O. Box 19, 15101 Lahti | Ilmarisentie 8, 15200 Lahti Finland

Tel +358 3 883 020 | VAT-number FI01494751 | teknoware.com | emexit@teknoware.com



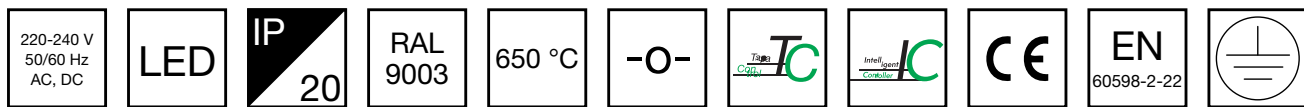


We reserve the rights to make modifications without notice.
Copyright © 2021 Teknoware. All rights reserved.
Date: February 14, 2021 | Source:
www.teknoware.com/en/emergency-lighting/slimspot-led-emergency-light-tws9792wm4

Teknoware Oy | P.O. Box 19, 15101 Lahti | Ilmarisentie 8, 15200 Lahti Finland
Tel +358 3 883 020 | VAT-number FI01494751 | teknoware.com | emexit@teknoware.com



SLIMSPOT LED EMERGENCY LIGHT TWT9751WK



Addressable 230 V centrally supplied LED emergency light

Slimspot is a recessed LED emergency light, which, thanks to its compact size and straight-line design blends seamlessly into the roof structure. The luminaires do not therefore stand out from the area's architecture.

Slimspot uses the latest LED technology and is an energy efficient emergency light. The optics have been designed in such a way, that the LED luminaire does not have a disturbing bright central point of light.

INDIVIDUALLY PACKED LIGHTS

The product codes starting with letter Y include an individually packed luminaire. The product codes starting with TW include the luminaire only.

| Product Code | IP Class | Luminous Flux (lm) |
|--------------|----------|--------------------|
| Y9751WK | IP20 | 155 |

| | |
|-------------------------------------|---------------------------------------|
| Product Code | TWT9751WK |
| Feature | Intelligent Controller, Tapsa Control |
| Mounting (standard) | recess |
| Customs Code | 94056080 |
| GTIN Code | 6438045009018 |
| ETIM Product Class | EC001957 |
| Length | 90 mm |
| Width | 90 mm |
| Height | 42 mm |
| Weight | 0,4 kg |
| Max Input Power VA | 10 VA |
| Max Input Power W | 5,5 W |
| Nominal Supply Voltage | 220-240 V, 50/60 Hz AC, DC |
| Protection Class | I |
| IP Class | IP20 |
| Temperature Range Min - Max | -30...+50 °C |
| Glow Wire Test of Plastic Materials | 650 °C |
| Light Source | LED |
| Body Material | metal |
| Aperture for Recess Mounting | ø75 mm |

We reserve the rights to make modifications without notice.

Copyright © 2021 Teknoware. All rights reserved.

Date: February 14, 2021 | Source:

www.teknoware.com/en/emergency-lighting/slimspot-led-emergency-light-twt9751wk

Teknoware Oy | P.O. Box 19, 15101 Lahti | Ilmarisentie 8, 15200 Lahti Finland

Tel +358 3 883 020 | VAT-number FI01494751 | teknoware.com | emexit@teknoware.com

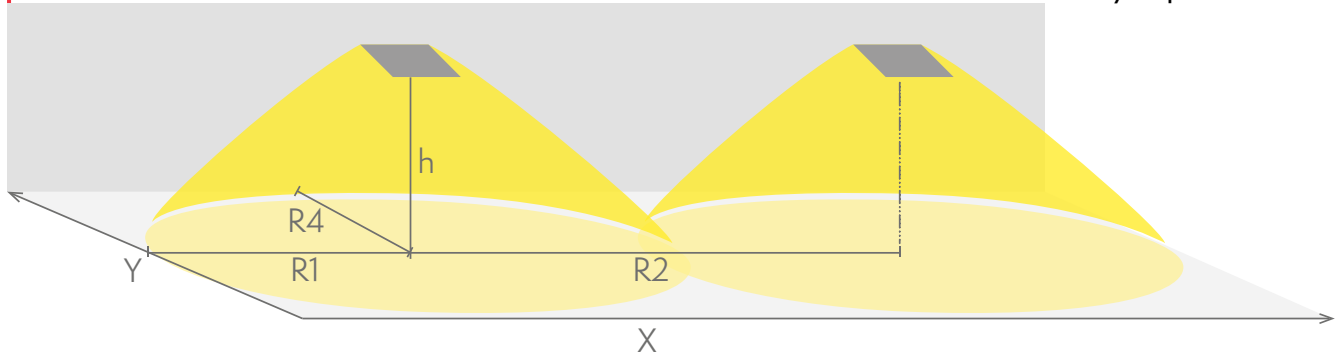


| | |
|-------------------------|-------------------------|
| Colour | RAL9003 |
| Electrical Installation | 3 x 2,5 mm ² |
| Luminous Flux | 155 lm |

Emergency lighting for escape routes (ceiling mounting)

Table of 1 lux for escape routes in the middle line according to the norm EN 1838.

Level of measurement 0,02 m, measurement result with battery operation.



R1 distance from wall (X axis)

R2 installation distance between lights (X axis)

R4 distance from wall (Y axis)

TWT9751WK

| Mounting height (m) | Below the light lux | R1 (m) | R2 (m) | R4 (m) |
|---------------------|---------------------|--------|--------|--------|
| | | 1 lux | 1 lux | 1 lux |
| 2,5 | 12 | 3,5 | 8 | 3,5 |
| 4 | 4,8 | 3,5 | 9 | 3,5 |
| 6 | 2 | 3,5 | 10 | 3,5 |

Emergency lighting for open areas (ceiling mounting)

Table of 0,5 lux for open areas according to the norm EN 1838, 0,5 m edge district is considered in the table.

Level of measurement 0,02 m, measurement result with battery operation.

We reserve the rights to make modifications without notice.

Copyright © 2021 Teknoware. All rights reserved.

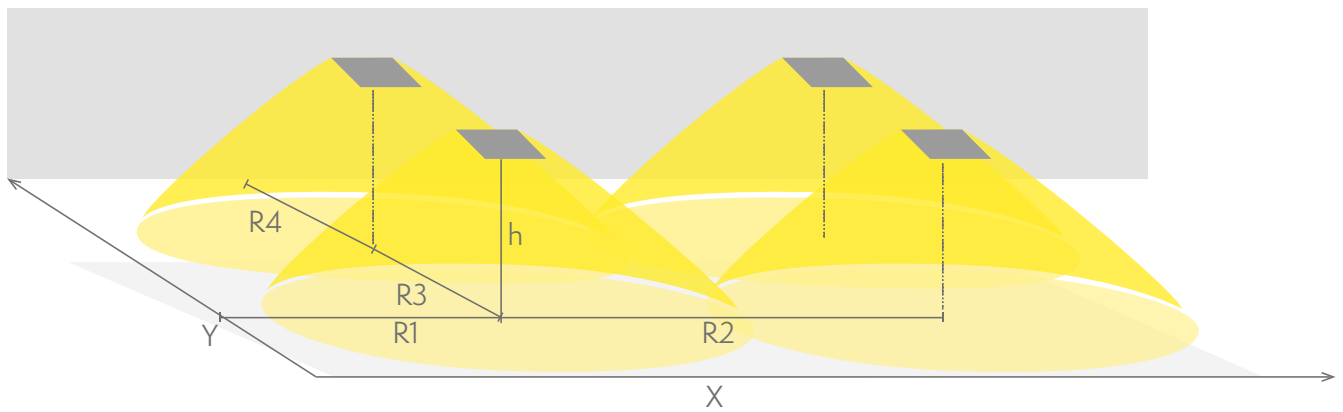
Date: February 14, 2021 | Source:

www.teknoware.com/en/emergency-lighting/slimspot-led-emergency-light-twt9751wk



Teknoware Oy | P.O. Box 19, 15101 Lahti | Ilmarisentie 8, 15200 Lahti Finland

Tel +358 3 883 020 | VAT-number FI01494751 | teknoware.com | emexit@teknoware.com



- R1 distance from wall (X axis)
- R2 installation distance between lights (X axis)
- R3 installation distance between lights (Y axis)
- R4 distance from wall (Y axis)

TWT9751WK

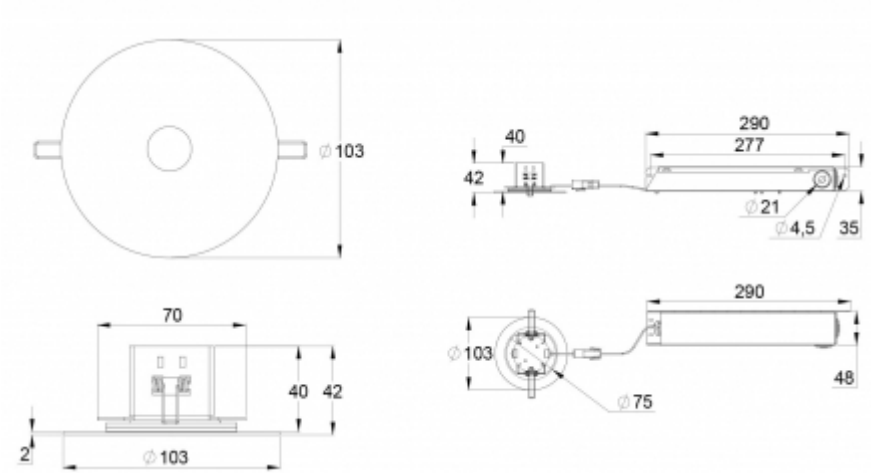
| Mounting height (m) | Below the light lux | R1 (m) | R2 (m) | R3 (m) | R4 (m) |
|---------------------|---------------------|---------|---------|---------|---------|
| | | 0,5 lux | 0,5 lux | 0,5 lux | 0,5 lux |
| 2,5 | 12 | 4 | 7 | 7 | 4 |
| 4 | 4,8 | 4 | 8 | 8 | 4 |
| 6 | 2 | 4 | 8 | 8 | 4 |

SPARE PARTS:

SPARE PARTS FOR EMERGENCY LIGHTS



| Product Code | Product Name | Compatible Product Groups |
|--------------|-----------------|---|
| W100002 | Ballast W100002 | Addressable 230 V Centrally Supplied Emergency Lights, Addressable 230 V Centrally Supplied Emergency Exit Lights |



We reserve the rights to make modifications without notice.

Copyright © 2021 Teknoware. All rights reserved.

Date: February 14, 2021 | Source:

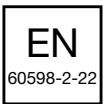
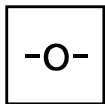
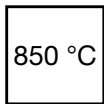
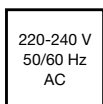
www.teknoware.com/en/emergency-lighting/slimspot-led-emergency-light-twt9751wk

Teknoware Oy | P.O. Box 19, 15101 Lahti | Ilmarisentie 8, 15200 Lahti Finland

Tel +358 3 883 020 | VAT-number FI01494751 | teknoware.com | emexit@teknoware.com



SLIMSPOT LED EMERGENCY LIGHT TWT9752WA



Self-contained 1 h Battery, Aalto Control compatible, LED emergency light

Slimspot is a recessed LED emergency light, which, thanks to its compact size and straight-line design blends seamlessly into the roof structure. The luminaires do not therefore stand out from the area's architecture.

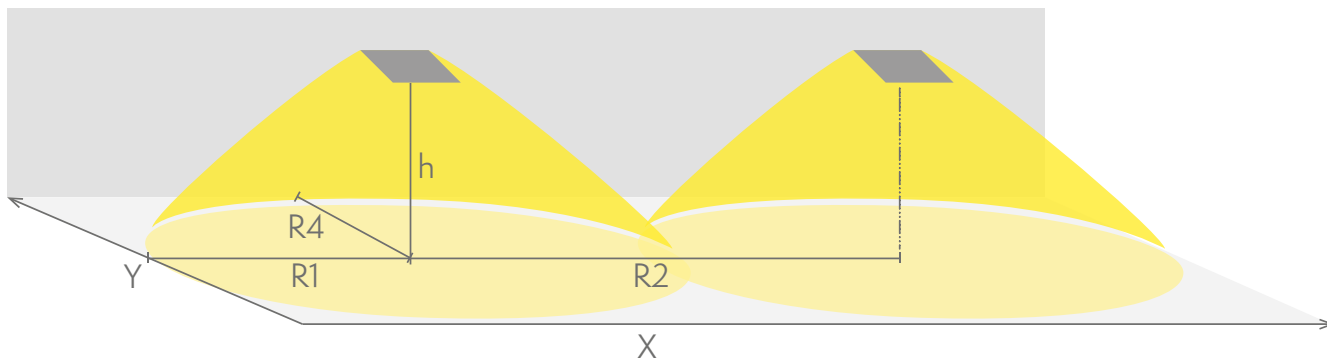
Slimspot uses the latest LED technology and is an energy efficient emergency light. The optics have been designed in such a way, that the LED luminaire does not have a disturbing bright central point of light.

| | |
|-------------------------------------|--------------------------|
| Product Code | TWT9752WA |
| Feature | Aalto Control, Lumi Test |
| Mounting (standard) | recess |
| Customs Code | 94056080 |
| GTIN Code | 6438045009032 |
| ETIM Product Class | EC001957 |
| Length | 90 mm |
| Width | 90 mm |
| Height | 42 mm |
| Weight | 0,8 kg |
| Backup | 1 h |
| Max Input Power VA | 3 VA |
| Nominal Supply Voltage | 220-240 V, 50/60 Hz AC |
| Protection Class | I |
| IP Class | IP20 |
| Temperature Range Min - Max | 0...+35 °C |
| Glow Wire Test of Plastic Materials | 850 °C |
| Light Source | LED |
| Body Material | metal |
| Aperture for Recess Mounting | ø75 mm |
| Colour | RAL9003 |
| Electrical Installation | 3 x 2,5 mm ² |
| Luminous Flux | 155 lm |

Emergency lighting for escape routes (ceiling mounting)

Table of 1 lux for escape routes in the middle line according to the norm EN 1838.

Level of measurement 0,02 m, measurement result with battery operation.



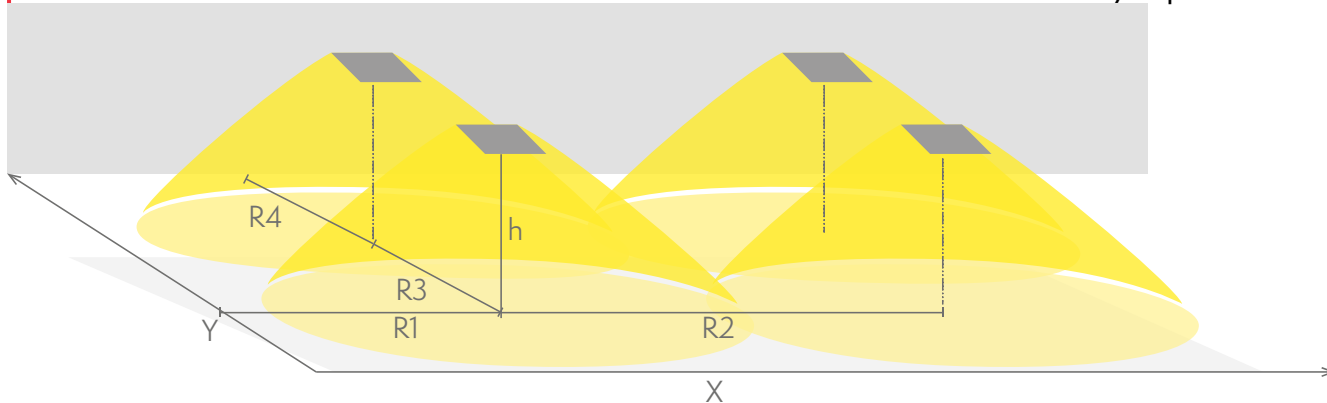
- R1 distance from wall (X axis)
- R2 installation distance between lights (X axis)
- R4 distance from wall (Y axis)

TWT9752WA

| Mounting height (m) | Below the light lux | R1 (m) | R2 (m) | R4 (m) |
|---------------------|---------------------|--------|--------|--------|
| | | 1 lux | 1 lux | 1 lux |
| 2,5 | 12 | 3,5 | 8 | 3,5 |
| 4 | 4,8 | 3,5 | 9 | 3,5 |
| 6 | 2 | 3,5 | 10 | 3,5 |

Emergency lighting for open areas (ceiling mounting)

- Table of 0,5 lux for open areas according to the norm EN 1838, 0,5 m edge district is considered in the table.
- Level of measurement 0,02 m, measurement result with battery operation.



- R1 distance from wall (X axis)
- R2 installation distance between lights (X axis)
- R3 installation distance between lights (Y axis)
- R4 distance from wall (Y axis)

TWT9752WA

| Mounting height (m) | Below the light lux | R1 (m) | R2 (m) | R3 (m) | R4 (m) |
|---------------------|---------------------|---------|---------|---------|---------|
| | | 0,5 lux | 0,5 lux | 0,5 lux | 0,5 lux |

We reserve the rights to make modifications without notice.
 Copyright © 2021 Teknoware. All rights reserved.
 Date: February 14, 2021 | Source:
www.teknoware.com/en/emergency-lighting/slimspot-led-emergency-light-twt9752wa

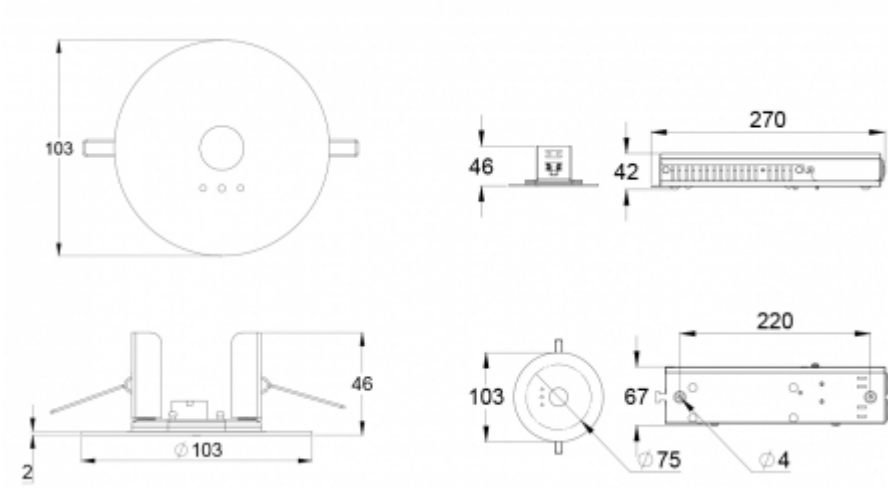


| Mounting height (m) | Below the light lux | R1 (m) | R2 (m) | R3 (m) | R4 (m) |
|---------------------|---------------------|--------|--------|--------|--------|
| 2,5 | 12 | 4 | 7 | 7 | 4 |
| 4 | 4,8 | 4 | 8 | 8 | 4 |
| 6 | 2 | 4 | 8 | 8 | 4 |

We reserve the rights to make modifications without notice.
Copyright © 2021 Teknoware. All rights reserved.
Date: February 14, 2021 | Source:
www.teknoware.com/en/emergency-lighting/slimspot-led-emergency-light-twt9752wa

Teknoware Oy | P.O. Box 19, 15101 Lahti | Ilmarisentie 8, 15200 Lahti Finland
Tel +358 3 883 020 | VAT-number FI01494751 | teknoware.com | emexit@teknoware.com



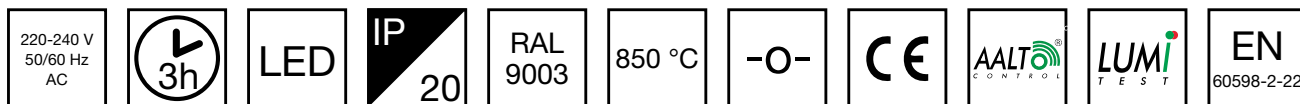


We reserve the rights to make modifications without notice.
Copyright © 2021 Teknoware. All rights reserved.
Date: February 14, 2021 | Source:
www.teknoware.com/en/emergency-lighting/slimspot-led-emergency-light-twt9752wa

Teknoware Oy | P.O. Box 19, 15101 Lahti | Ilmarisentie 8, 15200 Lahti Finland
Tel +358 3 883 020 | VAT-number FI01494751 | teknoware.com | emexit@teknoware.com



SLIMSPOT LED EMERGENCY LIGHT TWT9753WA



Self-contained 3 h Battery, Aalto Control compatible, LED emergency light

Slimspot is a recessed LED emergency light, which, thanks to its compact size and straight-line design blends seamlessly into the roof structure. The luminaires do not therefore stand out from the area's architecture.

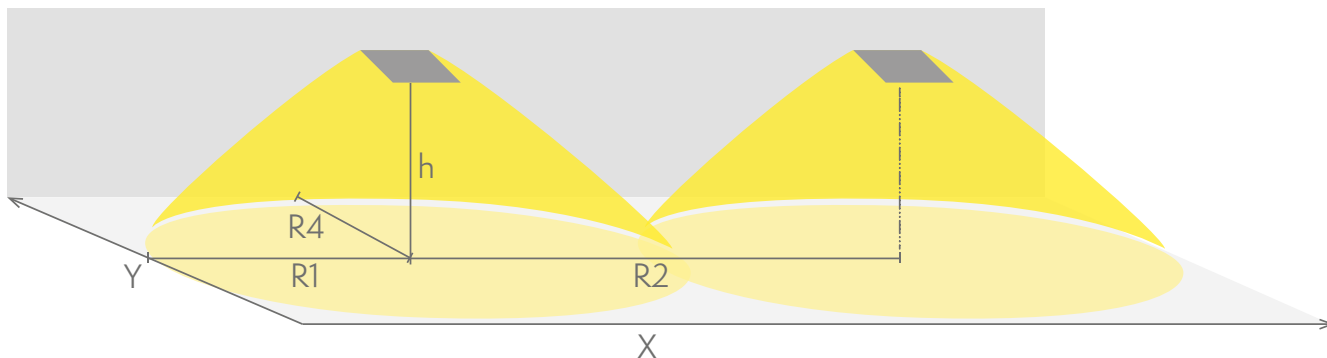
Slimspot uses the latest LED technology and is an energy efficient emergency light. The optics have been designed in such a way, that the LED luminaire does not have a disturbing bright central point of light.

| | |
|-------------------------------------|--------------------------|
| Product Code | TWT9753WA |
| Feature | Aalto Control, Lumi Test |
| Mounting (standard) | recess |
| Customs Code | 94056080 |
| GTIN Code | 6438045009056 |
| ETIM Product Class | EC001957 |
| Length | 90 mm |
| Width | 90 mm |
| Height | 42 mm |
| Weight | 0,8 kg |
| Backup | 3 h |
| Max Input Power VA | 6 VA |
| Nominal Supply Voltage | 220-240 V, 50/60 Hz AC |
| Protection Class | I |
| IP Class | IP20 |
| Temperature Range Min - Max | 0...+35 °C |
| Glow Wire Test of Plastic Materials | 850 °C |
| Light Source | LED |
| Body Material | metal |
| Aperture for Recess Mounting | ø75 mm |
| Colour | RAL9003 |
| Electrical Installation | 3 x 2,5 mm ² |
| Luminous Flux | 155 lm |

Emergency lighting for escape routes (ceiling mounting)

Table of 1 lux for escape routes in the middle line according to the norm EN 1838.

Level of measurement 0,02 m, measurement result with battery operation.



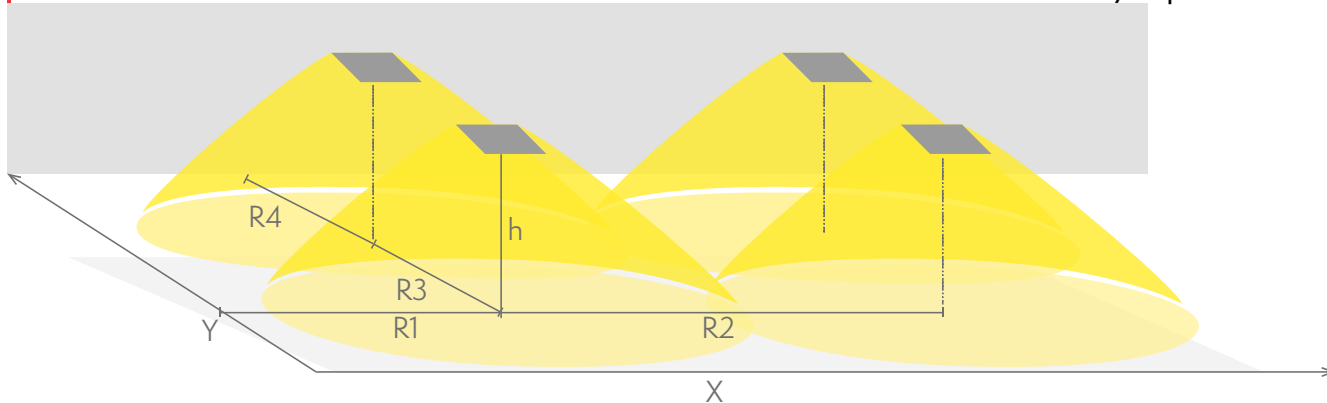
- R1 distance from wall (X axis)
- R2 installation distance between lights (X axis)
- R4 distance from wall (Y axis)

TWT9753WA

| Mounting height (m) | Below the light lux | R1 (m) | R2 (m) | R4 (m) |
|---------------------|---------------------|--------|--------|--------|
| | | 1 lux | 1 lux | 1 lux |
| 2,5 | 12 | 3,5 | 8 | 3,5 |
| 4 | 4,8 | 3,5 | 9 | 3,5 |
| 6 | 2 | 3,5 | 10 | 3,5 |

Emergency lighting for open areas (ceiling mounting)

- Table of 0,5 lux for open areas according to the norm EN 1838, 0,5 m edge district is considered in the table.
- Level of measurement 0,02 m, measurement result with battery operation.

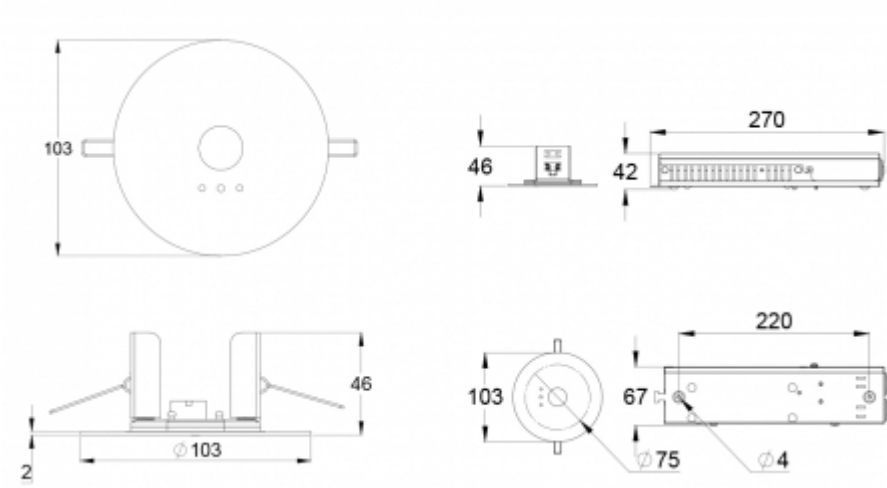


- R1 distance from wall (X axis)
- R2 installation distance between lights (X axis)
- R3 installation distance between lights (Y axis)
- R4 distance from wall (Y axis)

TWT9753WA

| Mounting height (m) | Below the light lux | R1 (m) | R2 (m) | R3 (m) | R4 (m) |
|---------------------|---------------------|---------|---------|---------|---------|
| | | 0,5 lux | 0,5 lux | 0,5 lux | 0,5 lux |

| Mounting height (m) | Below the light lux | R1 (m) | R2 (m) | R3 (m) | R4 (m) |
|---------------------|---------------------|--------|--------|--------|--------|
| 2,5 | 12 | 4 | 7 | 7 | 4 |
| 4 | 4,8 | 4 | 8 | 8 | 4 |
| 6 | 2 | 4 | 8 | 8 | 4 |

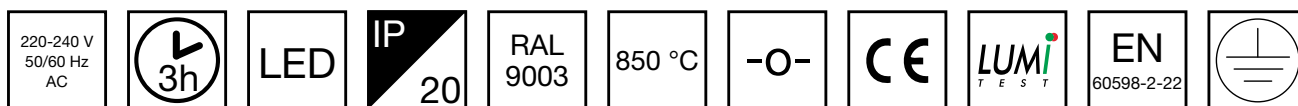
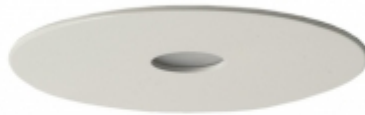


We reserve the rights to make modifications without notice.
Copyright © 2021 Teknoware. All rights reserved.
Date: February 14, 2021 | Source:
www.teknoware.com/en/emergency-lighting/slimspot-led-emergency-light-twt9753wa

Teknoware Oy | P.O. Box 19, 15101 Lahti | Ilmarisentie 8, 15200 Lahti Finland
Tel +358 3 883 020 | VAT-number FI01494751 | teknoware.com | emexit@teknoware.com



SLIMSPOT LED EMERGENCY LIGHT TWT9753WM



Self-contained 3 h Battery with Lumi Test Self-testing, LED emergency light

Slimspot is a recessed LED emergency light, which, thanks to its compact size and straight-line design blends seamlessly into the roof structure. The luminaires do not therefore stand out from the area's architecture.

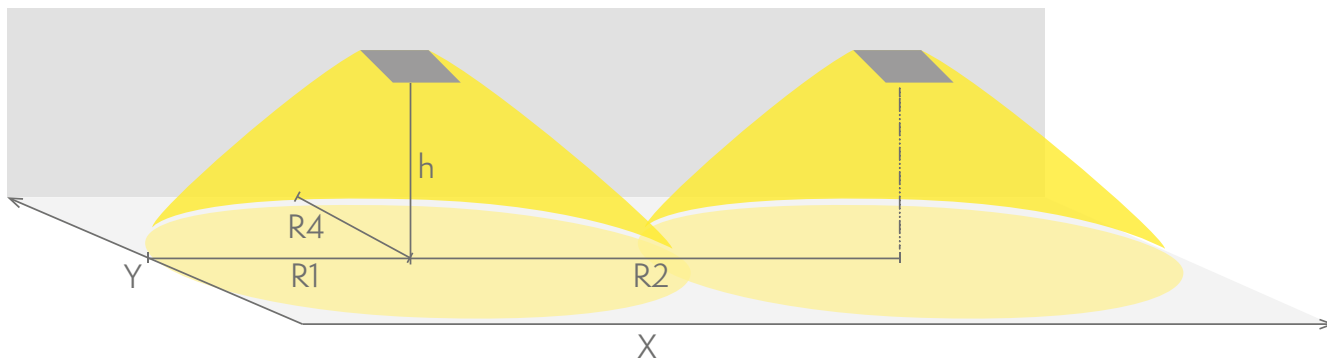
Slimspot uses the latest LED technology and is an energy efficient emergency light. The optics have been designed in such a way, that the LED luminaire does not have a disturbing bright central point of light.

| | |
|-------------------------------------|-------------------------|
| Product Code | TWT9753WM |
| Feature | Lumi Test |
| Mounting (standard) | recess |
| Customs Code | 94056080 |
| GTIN Code | 6438045009063 |
| ETIM Product Class | EC001957 |
| Length | 90 mm |
| Width | 90 mm |
| Height | 42 mm |
| Weight | 0,8 kg |
| Backup | 3 h |
| Max Input Power VA | 6 VA |
| Nominal Supply Voltage | 220-240 V, 50/60 Hz AC |
| Protection Class | I |
| IP Class | IP20 |
| Temperature Range Min - Max | 0...+35 °C |
| Glow Wire Test of Plastic Materials | 850 °C |
| Light Source | LED |
| Body Material | metal |
| Aperture for Recess Mounting | ø75 mm |
| Colour | RAL9003 |
| Electrical Installation | 3 x 2,5 mm ² |
| Luminous Flux | 155 lm |

Emergency lighting for escape routes (ceiling mounting)

Table of 1 lux for escape routes in the middle line according to the norm EN 1838.

Level of measurement 0,02 m, measurement result with battery operation.



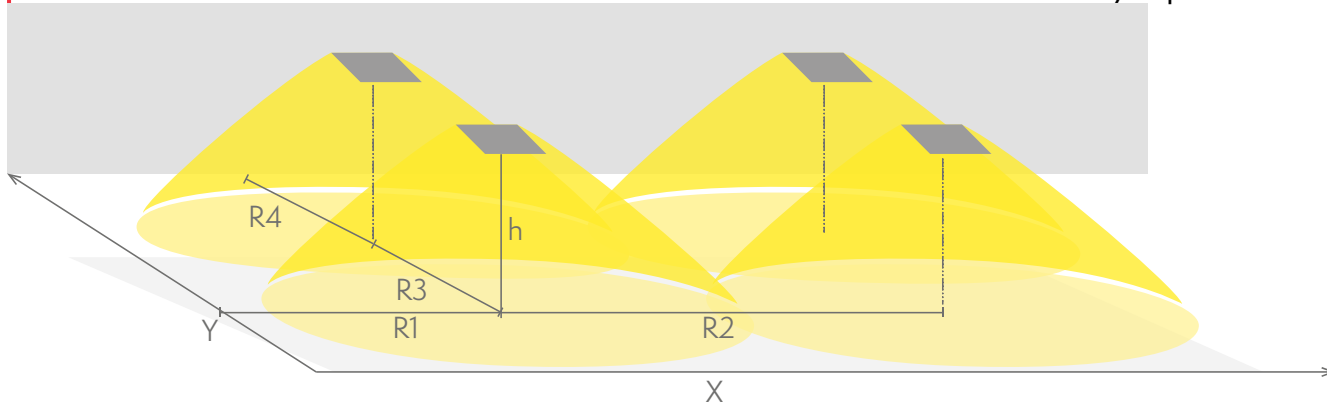
- R1 distance from wall (X axis)
- R2 installation distance between lights (X axis)
- R4 distance from wall (Y axis)

TWT9753WM

| Mounting height (m) | Below the light lux | R1 (m) | R2 (m) | R4 (m) |
|---------------------|---------------------|--------|--------|--------|
| | | 1 lux | 1 lux | 1 lux |
| 2,5 | 12 | 3,5 | 8 | 3,5 |
| 4 | 4,8 | 3,5 | 9 | 3,5 |
| 6 | 2 | 3,5 | 10 | 3,5 |

Emergency lighting for open areas (ceiling mounting)

- Table of 0,5 lux for open areas according to the norm EN 1838, 0,5 m edge district is considered in the table.
- Level of measurement 0,02 m, measurement result with battery operation.



- R1 distance from wall (X axis)
- R2 installation distance between lights (X axis)
- R3 installation distance between lights (Y axis)
- R4 distance from wall (Y axis)

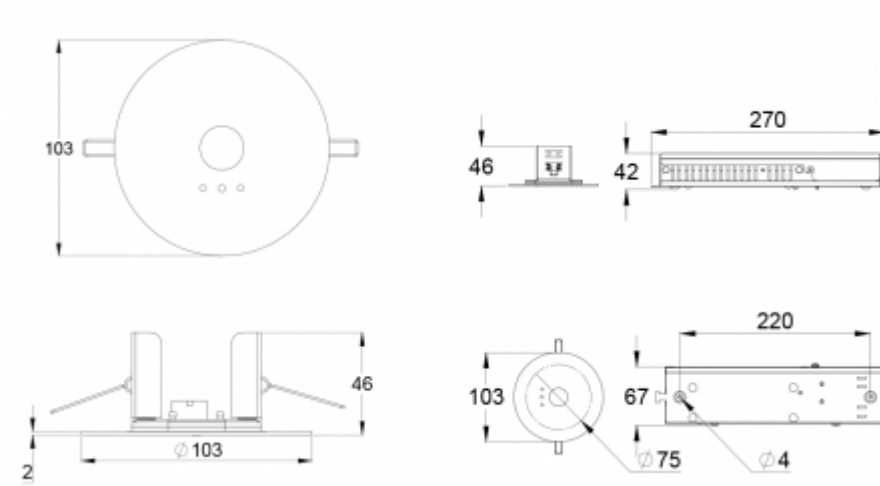
TWT9753WM

| Mounting height (m) | Below the light lux | R1 (m) | R2 (m) | R3 (m) | R4 (m) |
|---------------------|---------------------|---------|---------|---------|---------|
| | | 0,5 lux | 0,5 lux | 0,5 lux | 0,5 lux |

We reserve the rights to make modifications without notice.
 Copyright © 2021 Teknoware. All rights reserved.
 Date: February 14, 2021 | Source:
www.teknoware.com/en/emergency-lighting/slimspot-led-emergency-light-twt9753wm



| Mounting height (m) | Below the light lux | R1 (m) | R2 (m) | R3 (m) | R4 (m) |
|---------------------|---------------------|--------|--------|--------|--------|
| 2,5 | 12 | 4 | 7 | 7 | 4 |
| 4 | 4,8 | 4 | 8 | 8 | 4 |
| 6 | 2 | 4 | 8 | 8 | 4 |

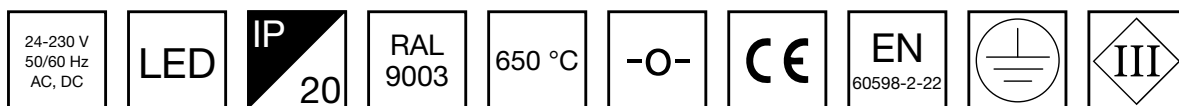


We reserve the rights to make modifications without notice.
Copyright © 2021 Teknoware. All rights reserved.
Date: February 14, 2021 | Source:
www.teknoware.com/en/emergency-lighting/slimspot-led-emergency-light-twt9753wm

Teknoware Oy | P.O. Box 19, 15101 Lahti | Ilmarisentie 8, 15200 Lahti Finland
Tel +358 3 883 020 | VAT-number FI01494751 | teknoware.com | emexit@teknoware.com



SLIMSPOT LED EMERGENCY LIGHT TWT9771W



24-230 V centrally supplied LED emergency light

Slimspot is a recessed LED emergency light, which, thanks to its compact size and straight-line design blends seamlessly into the roof structure. The luminaires do not therefore stand out from the area's architecture.

Slimspot uses the latest LED technology and is an energy efficient emergency light. The optics have been designed in such a way, that the LED luminaire does not have a disturbing bright central point of light.

INDIVIDUALLY PACKED LIGHTS

The product codes starting with letter Y include an individually packed luminaire. The product codes starting with TW include the luminaire only.

| Product Code | IP Class | Luminous Flux (lm) |
|--------------|----------|--------------------|
| Y9771W | IP20 | 155 |

| | |
|-------------------------------------|------------------------------|
| Product Code | TWT9771W |
| Mounting (standard) | recess |
| Customs Code | 94056080 |
| GTIN Code | 6438045009001 |
| ETIM Product Class | EC001957 |
| Length | 90 mm |
| Width | 90 mm |
| Height | 42 mm |
| Weight | 0,4 kg |
| Max Input Power VA | 7,5 VA (24 V), 11 VA (230 V) |
| Max Input Power W | 4 W (24 V), 4 W (230 V) |
| Nominal Supply Voltage | 24-230 V, 50/60 Hz AC, DC |
| Protection Class | III (24 V), I (230 V) |
| IP Class | IP20 |
| Temperature Range Min - Max | -30...+50 °C |
| Glow Wire Test of Plastic Materials | 650 °C |
| Light Source | LED |
| Body Material | metal |
| Aperture for Recess Mounting | ø75 mm |
| Colour | RAL9003 |

We reserve the rights to make modifications without notice.

Copyright © 2021 Teknoware. All rights reserved.

Date: February 14, 2021 | Source:

www.teknoware.com/en/emergency-lighting/slimspot-led-emergency-light-twt9771w

Teknoware Oy | P.O. Box 19, 15101 Lahti | Ilmarisentie 8, 15200 Lahti Finland

Tel +358 3 883 020 | VAT-number FI01494751 | teknoware.com | emexit@teknoware.com

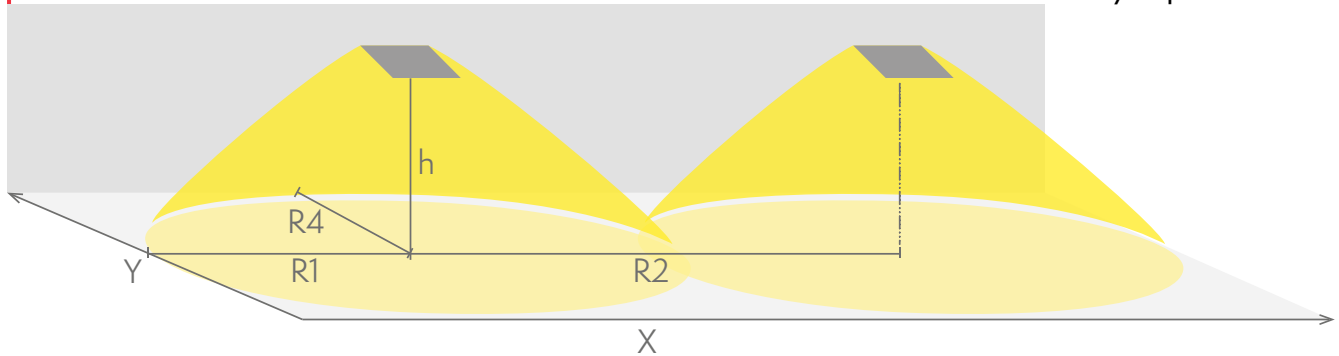


| | |
|-------------------------|---|
| Electrical Installation | 2 x 2,5 mm ² (24 V), 3 x 2,5 mm ² (230 V) |
| Luminous Flux | 155 lm |

Emergency lighting for escape routes (ceiling mounting)

Table of 1 lux for escape routes in the middle line according to the norm EN 1838.

Level of measurement 0,02 m, measurement result with battery operation.



R1 distance from wall (X axis)

R2 installation distance between lights (X axis)

R4 distance from wall (Y axis)

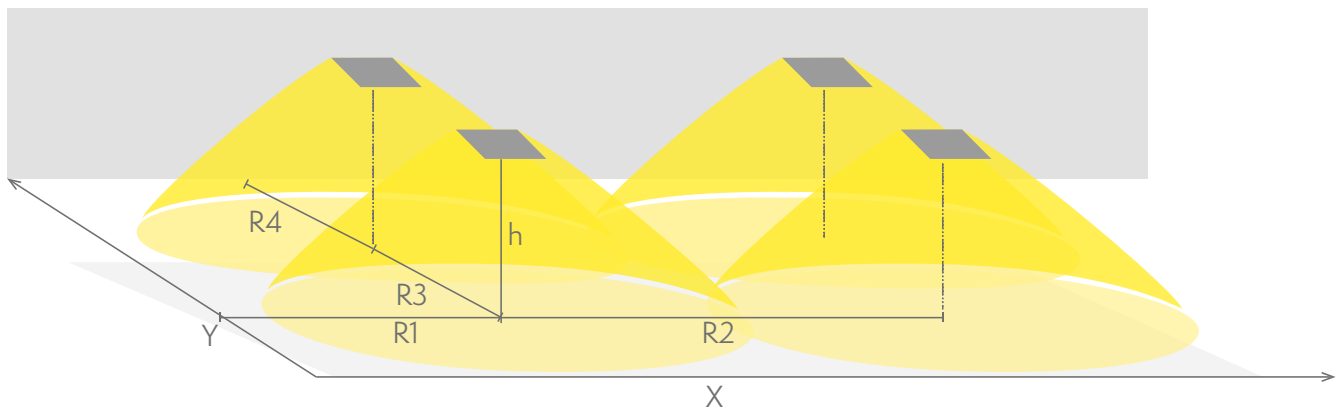
TWT9771W

| Mounting height (m) | Below the light lux | R1 (m) | R2 (m) | R4 (m) |
|---------------------|---------------------|--------|--------|--------|
| | | 1 lux | 1 lux | 1 lux |
| 2,5 | 12 | 3,5 | 8 | 3,5 |
| 4 | 4,8 | 3,5 | 9 | 3,5 |
| 6 | 2 | 3,5 | 10 | 3,5 |

Emergency lighting for open areas (ceiling mounting)

Table of 0,5 lux for open areas according to the norm EN 1838, 0,5 m edge district is considered in the table.

Level of measurement 0,02 m, measurement result with battery operation.



- R1 distance from wall (X axis)
- R2 installation distance between lights (X axis)
- R3 installation distance between lights (Y axis)
- R4 distance from wall (Y axis)

TWT9771W

| Mounting height (m) | Below the light lux | R1 (m) | R2 (m) | R3 (m) | R4 (m) |
|---------------------|---------------------|---------|---------|---------|---------|
| | | 0,5 lux | 0,5 lux | 0,5 lux | 0,5 lux |
| 2,5 | 12 | 4 | 7 | 7 | 4 |
| 4 | 4,8 | 4 | 8 | 8 | 4 |
| 6 | 2 | 4 | 8 | 8 | 4 |

SPARE PARTS:

SPARE PARTS FOR EMERGENCY LIGHTS

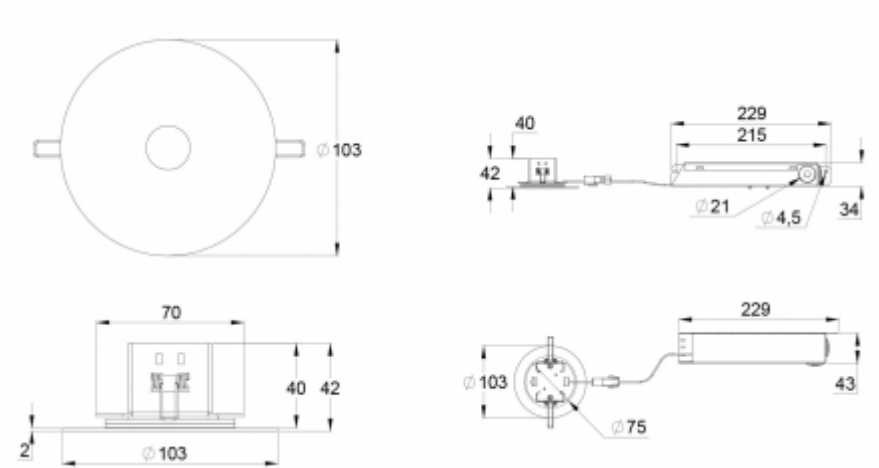


| Product Code | Product Name | Compatible Product Groups |
|--------------|-----------------|---|
| W100006 | Ballast W100006 | Addressable 230 V Centrally Supplied Emergency Exit Lights, Addressable 230 V Centrally Supplied Emergency Lights |

We reserve the rights to make modifications without notice.
 Copyright © 2021 Teknoware. All rights reserved.
 Date: February 14, 2021 | Source:
www.teknoware.com/en/emergency-lighting/slimspot-led-emergency-light-twt9771w



Teknoware Oy | P.O. Box 19, 15101 Lahti | Ilmarisentie 8, 15200 Lahti Finland
 Tel +358 3 883 020 | VAT-number FI01494751 | teknoware.com | emexit@teknoware.com



We reserve the rights to make modifications without notice.
Copyright © 2021 Teknoware. All rights reserved.
Date: February 14, 2021 | Source:
www.teknoware.com/en/emergency-lighting/slimspot-led-emergency-light-twt9771w

Teknoware Oy | P.O. Box 19, 15101 Lahti | Ilmarisentie 8, 15200 Lahti Finland
Tel +358 3 883 020 | VAT-number FI01494751 | teknoware.com | emexit@teknoware.com

