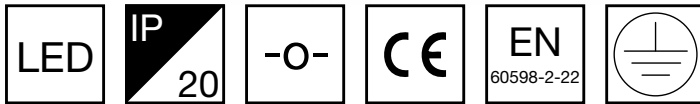


TRISPOT EMERGENCY LIGHTS



Trispot LED emergency light is compact and stylish. It has a machined and anodized aluminium body, which gives a special exemplary appearance.

TWT75 is designed to illuminate particularly high areas. It uses the latest LED technology. The luminaires lighting pattern illuminates open areas effectively and allows for a high installation height.

Low areas and open spaces suit TWT76, whose optics are designed to provide a broad and uniform light pattern.

We reserve the rights to make modifications without notice.
Copyright © 2021 Teknoware. All rights reserved.
Date: February 24, 2021 | Source:
www.teknoware.com/en/emergency-lighting/emergency-lights/emergency-light-product-families/trispot-emergency-lights



Teknoware Oy | P.O. Box 19, 15101 Lahti | Ilmarisentie 8, 15200 Lahti Finland
Tel +358 3 883 020 | VAT-number FI01494751 | teknoware.com | emexit@teknoware.com

The product codes starting with letter Y include an individually packed luminaire. The product codes starting with TW include the luminaire only.

ADDRESSABLE 230 V CENTRALLY SUPPLIED EMERGENCY LIGHTS

| Product Code | Nominal Supply Voltage | Feature |
|--------------|----------------------------|---------------|
| TWT7551WK | 220-240 V, 50/60 Hz AC, DC | Tapsa Control |
| Y7551WK | 220-240 V, 50/60 Hz AC, DC | Tapsa Control |
| TWT7651WK | 220-240 V, 50/60 Hz AC, DC | Tapsa Control |
| Y7651WK | 220-240 V, 50/60 Hz AC, DC | Tapsa Control |
| TWT0951WK | 220-240 V, 50/60 Hz AC, DC | Tapsa Control |

We reserve the rights to make modifications without notice.

Copyright © 2021 Teknoware. All rights reserved.

Date: February 24, 2021 | Source:

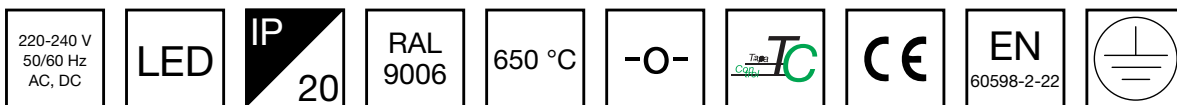
www.teknoware.com/en/emergency-lighting/emergency-lights/emergency-light-product-families/trispot-emergency-lights



Teknoware Oy | P.O. Box 19, 15101 Lahti | Ilmarisentie 8, 15200 Lahti Finland

Tel +358 3 883 020 | VAT-number FI01494751 | teknoware.com | emexit@teknoware.com

TRISPOT LED EMERGENCY LIGHT TWT0951WK



Addressable 230 V centrally supplied LED emergency light

TWT09 is a wall mount LED emergency light, designed especially for high mounting. The optics of TWT09 has been designed to illuminate open areas efficiently (angle of entry 40°). By using the latest LED technology, it is an optimal emergency light for high ceilings and beams. TWT09 has painted steel body. Diffuser is polycarbonate.

We reserve the rights to make modifications without notice.
Copyright © 2021 Teknoware. All rights reserved.
Date: February 24, 2021 | Source:
www.teknoware.com/en/emergency-lighting/trispot-led-emergency-light-twt0951wk

Teknoware Oy | P.O. Box 19, 15101 Lahti | Ilmarisentie 8, 15200 Lahti Finland
Tel +358 3 883 020 | VAT-number FI01494751 | teknoware.com | emexit@teknoware.com

 **TEKNOWARE®**

| | |
|-------------------------------------|----------------------------|
| Product Code | TWT0951WK |
| Feature | Tapsa Control |
| Mounting (standard) | wall |
| Customs Code | 94056080 |
| GTIN Code | 6438045019192 |
| ETIM Product Class | EC001957 |
| Length | 182 mm |
| Width | 52 mm |
| Height | 202 mm |
| Weight | 1,5 kg |
| Max Input Power VA | 16,5 VA |
| Max Input Power W | 10,5 W |
| Nominal Supply Voltage | 220-240 V, 50/60 Hz AC, DC |
| Protection Class | I |
| IP Class | IP20 |
| Temperature Range Min - Max | -30...+50 °C |
| Glow Wire Test of Plastic Materials | 650 °C |
| Light Source | LED |
| Colour | RAL9006 |
| Electrical Installation | 3 x 2,5 mm ² |
| Luminous Flux | 350 lm |

We reserve the rights to make modifications without notice.

Copyright © 2021 Teknoware. All rights reserved.

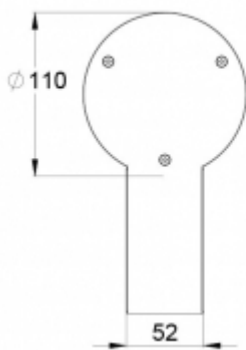
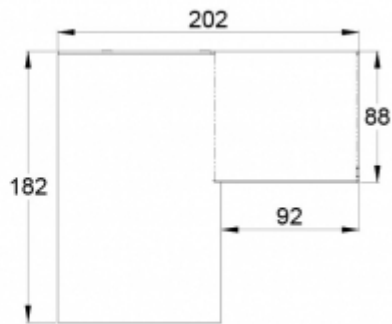
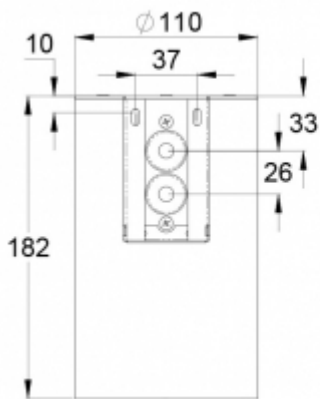
Date: February 24, 2021 | Source:

www.teknoware.com/en/emergency-lighting/trispot-led-emergency-light-twt0951wk

Teknoware Oy | P.O. Box 19, 15101 Lahti | Ilmarisentie 8, 15200 Lahti Finland

Tel +358 3 883 020 | VAT-number FI01494751 | teknoware.com | emexit@teknoware.com





We reserve the rights to make modifications without notice.

Copyright © 2021 Teknoware. All rights reserved.

Date: February 24, 2021 | Source:

www.teknoware.com/en/emergency-lighting/trispot-led-emergency-light-twt0951wk

Teknoware Oy | P.O. Box 19, 15101 Lahti | Ilmarisentie 8, 15200 Lahti Finland

Tel +358 3 883 020 | VAT-number FI01494751 | teknoware.com | emexit@teknoware.com



TRISPOT LED EMERGENCY LIGHT TWT7551WK



Addressable 230 V centrally supplied LED Emergency Exit Light

Trispot LED emergency light is compact and stylish. It has a machined and anodized aluminium body, which gives a special exemplary appearance.

TWT75 is designed to illuminate particularly high areas. It uses the latest LED technology. The luminaire's lighting pattern illuminates open areas effectively and allows for a high installation height.

INDIVIDUALLY PACKED LIGHTS

The product codes starting with letter Y include an individually packed luminaire. The product codes starting with TW include the luminaire only.

| Product Code | IP Class | Luminous Flux (lm) |
|--------------|----------|--------------------|
| Y7551WK | IP20 | 350 |

| | |
|-------------------------------------|-----------------------------|
| Product Code | TWT7551WK |
| Feature | Tapsa Control |
| Mounting (standard) | recess |
| Customs Code | 94056080 |
| GTIN Code | 6438045009810 |
| ETIM Product Class | EC001957 |
| Length | 70 mm |
| Width | 70 mm |
| Height | 57 mm |
| Weight | 0,4 kg |
| Max Input Power VA | 15,3 VA |
| Max Input Power W | 9,5 W |
| Nominal Supply Voltage | 220-240 V, 50/60 Hz AC, DC |
| Protection Class | I |
| IP Class | IP20 |
| Temperature Range Min - Max | -30...+50 °C |
| Glow Wire Test of Plastic Materials | 650 °C |
| Certifications | SGS Fimko |
| Light Source | LED |
| Body Material | machined anodized aluminium |

We reserve the rights to make modifications without notice.

Copyright © 2021 Teknoware. All rights reserved.

Date: February 24, 2021 | Source:

www.teknoware.com/en/emergency-lighting/trispot-led-emergency-light-twt7551wk

Teknoware Oy | P.O. Box 19, 15101 Lahti | Ilmarisentie 8, 15200 Lahti Finland

Tel +358 3 883 020 | VAT-number FI01494751 | teknoware.com | emexit@teknoware.com

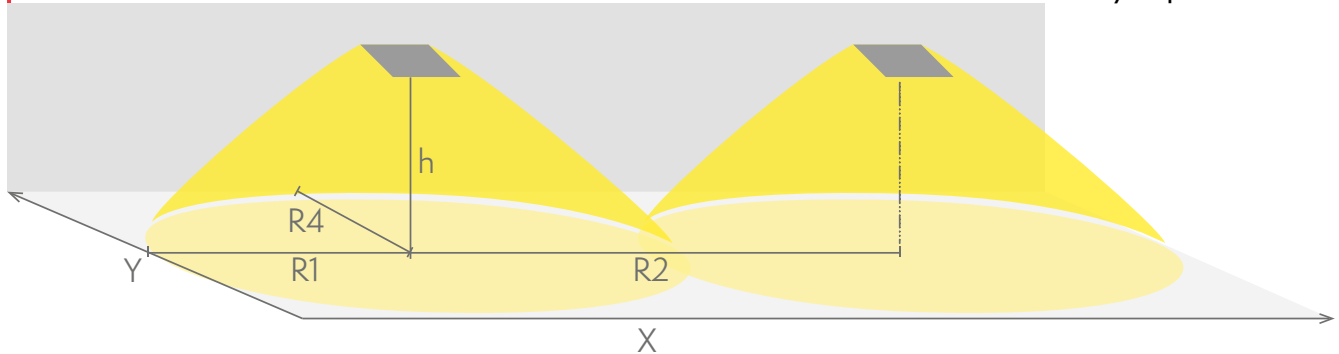


| | |
|------------------------------|-------------------------|
| Aperture for Recess Mounting | ø60 mm |
| Electrical Installation | 3 x 2,5 mm ² |
| Luminous Flux | 350 lm |

Emergency lighting for escape routes (ceiling mounting)

Table of 1 lux for escape routes in the middle line according to the norm EN 1838.

Level of measurement 0,02 m, measurement result with battery operation.



R1 distance from wall (X axis)

R2 installation distance between lights (X axis)

R4 distance from wall (Y axis)

TWT7551WK

| Mounting height (m) | Below the light lux | R1 (m) | R2 (m) | R4 (m) |
|---------------------|---------------------|--------|--------|--------|
| | | 1 lux | 1 lux | 1 lux |
| 2,5 | 240 | 2,5 | 6 | 2,5 |
| 4 | 95 | 3,5 | 9 | 3,5 |
| 6 | 42 | 4,5 | 11 | 4,5 |
| 8 | 23 | 6 | 13 | 6 |
| 10 | 15 | 5 | 14 | 5 |

Emergency lighting for open areas (ceiling mounting)

Table of 0,5 lux for open areas according to the norm EN 1838, 0,5 m edge district is considered in the table.

Level of measurement 0,02 m, measurement result with battery operation.

We reserve the rights to make modifications without notice.

Copyright © 2021 Teknoware. All rights reserved.

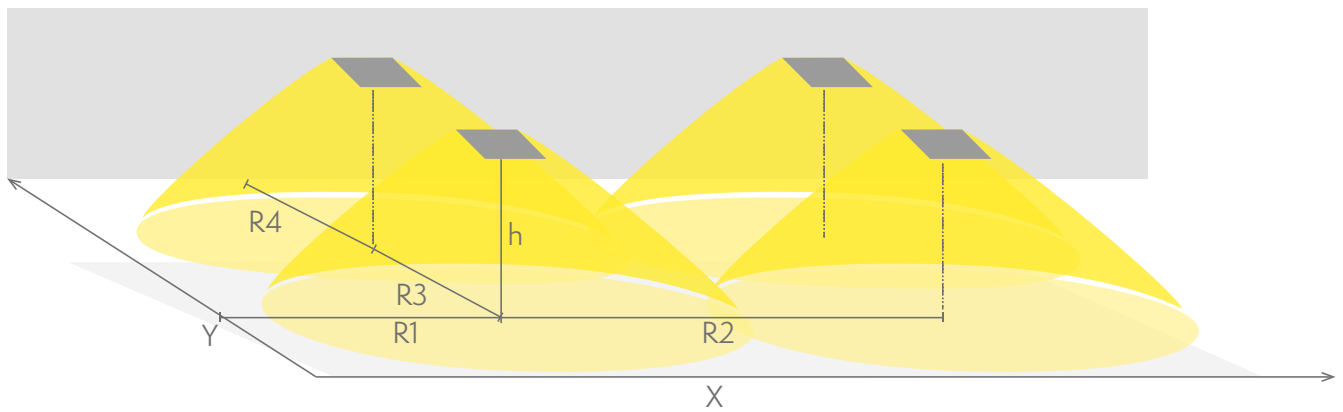
Date: February 24, 2021 | Source:

www.teknoware.com/en/emergency-lighting/trispot-led-emergency-light-twt7551wk



Teknoware Oy | P.O. Box 19, 15101 Lahti | Ilmarisentie 8, 15200 Lahti Finland

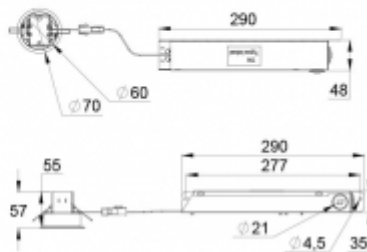
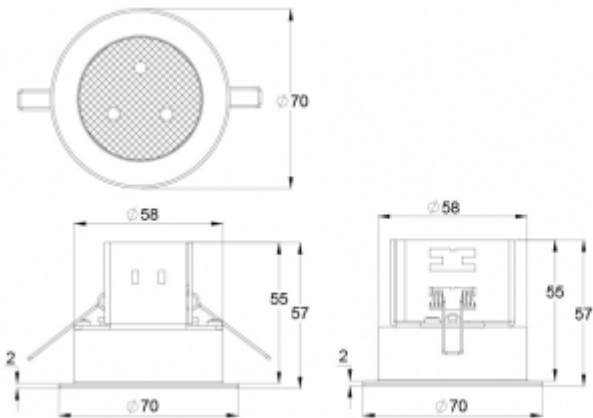
Tel +358 3 883 020 | VAT-number FI01494751 | teknoware.com | emexit@teknoware.com



- R1 distance from wall (X axis)
- R2 installation distance between lights (X axis)
- R3 installation distance between lights (Y axis)
- R4 distance from wall (Y axis)

TWT7551WK

| Mounting height (m) | Below the light lux | R1 (m) | R2 (m) | R3 (m) | R4 (m) |
|---------------------|---------------------|---------|---------|---------|---------|
| | | 0,5 lux | 0,5 lux | 0,5 lux | 0,5 lux |
| 2,5 | 240 | 2,5 | 4 | 4 | 2,5 |
| 4 | 95 | 3,5 | 7 | 7 | 3,5 |
| 6 | 42 | 4,5 | 8 | 8 | 4,5 |
| 8 | 23 | 5,5 | 10 | 10 | 5,5 |
| 10 | 15 | 5,5 | 11 | 11 | 5,5 |



We reserve the rights to make modifications without notice.
Copyright © 2021 Teknoware. All rights reserved.
Date: February 24, 2021 | Source:
www.teknoware.com/en/emergency-lighting/trispot-led-emergency-light-tw7551wk

Teknoware Oy | P.O. Box 19, 15101 Lahti | Ilmarisentie 8, 15200 Lahti Finland
Tel +358 3 883 020 | VAT-number FI01494751 | teknoware.com | emexit@teknoware.com



TRISPOT LED EMERGENCY LIGHT TWT7651WK



Addressable 230 V centrally supplied LED Emergency Exit Light

Trispot LED emergency light is compact and stylish. It has a machined and anodized aluminium body, which gives a special exemplary appearance.

Low areas and open spaces suit TWT76, whose optics are designed to provide a broad and uniform light pattern.

INDIVIDUALLY PACKED LIGHTS

The product codes starting with letter Y include an individually packed luminaire. The product codes starting with TW include the luminaire only.

| Product Code | IP Class | Luminous Flux (lm) |
|--------------|----------|--------------------|
| Y7651WK | IP20 | 360 |

| | |
|-------------------------------------|-----------------------------|
| Product Code | TWT7651WK |
| Feature | Tapsa Control |
| Mounting (standard) | recess |
| Customs Code | 94056080 |
| GTIN Code | 6438045009827 |
| ETIM Product Class | EC001957 |
| Length | 70 mm |
| Width | 70 mm |
| Height | 57 mm |
| Weight | 0,4 kg |
| Max Input Power VA | 15,3 VA |
| Max Input Power W | 9,5 W |
| Nominal Supply Voltage | 220-240 V, 50/60 Hz AC, DC |
| Protection Class | I |
| IP Class | IP20 |
| Temperature Range Min - Max | -30...+50 °C |
| Glow Wire Test of Plastic Materials | 650 °C |
| Certifications | SGS Fimko |
| Light Source | LED |
| Body Material | machined anodized aluminium |

We reserve the rights to make modifications without notice.
Copyright © 2021 Teknoware. All rights reserved.
Date: February 24, 2021 | Source:
www.teknoware.com/en/emergency-lighting/trispot-led-emergency-light-twt7651wk

Teknoware Oy | P.O. Box 19, 15101 Lahti | Ilmarisentie 8, 15200 Lahti Finland
Tel +358 3 883 020 | VAT-number FI01494751 | teknoware.com | emexit@teknoware.com

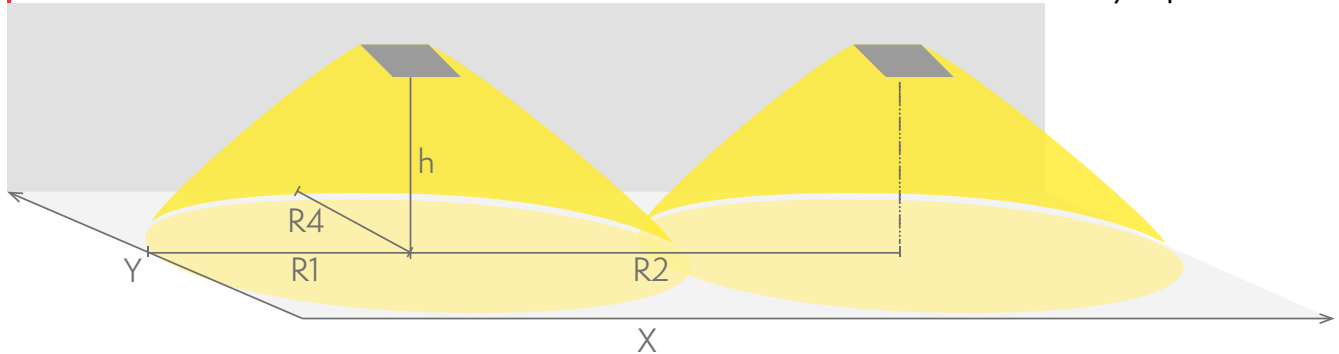


| | |
|------------------------------|-------------------------|
| Aperture for Recess Mounting | ø60 mm |
| Electrical Installation | 3 x 2,5 mm ² |
| Luminous Flux | 360 lm |

Emergency lighting for escape routes (ceiling mounting)

Table of 1 lux for escape routes in the middle line according to the norm EN 1838.

Level of measurement 0,02 m, measurement result with battery operation.



R1 distance from wall (X axis)

R2 installation distance between lights (X axis)

R4 distance from wall (Y axis)

TWT7651WK

| Mounting height (m) | Below the light lux | R1 (m) | R2 (m) | R4 (m) |
|---------------------|---------------------|--------|--------|--------|
| | | 1 lux | 1 lux | 1 lux |
| 2,5 | 25 | 4,5 | 10 | 4,5 |
| 4 | 10 | 4,5 | 12 | 4,5 |
| 6 | 4,5 | 5 | 14 | 5 |
| 8 | 2,5 | 5 | 14 | 5 |

Emergency lighting for open areas (ceiling mounting)

Table of 0,5 lux for open areas according to the norm EN 1838, 0,5 m edge district is considered in the table.

Level of measurement 0,02 m, measurement result with battery operation.

We reserve the rights to make modifications without notice.

Copyright © 2021 Teknoware. All rights reserved.

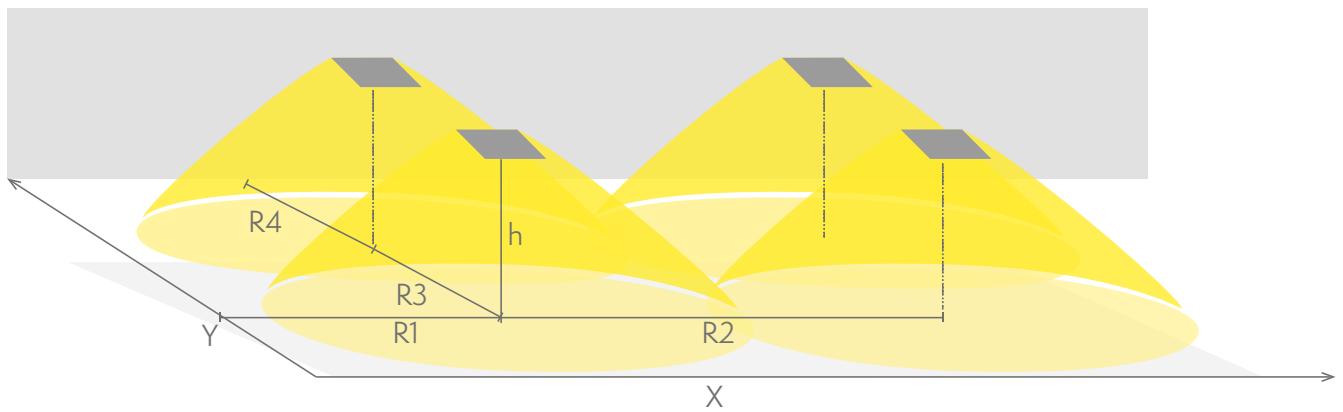
Date: February 24, 2021 | Source:

www.teknoware.com/en/emergency-lighting/trispot-led-emergency-light-twt7651wk



Teknoware Oy | P.O. Box 19, 15101 Lahti | Ilmarisentie 8, 15200 Lahti Finland

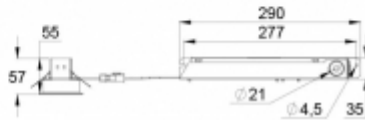
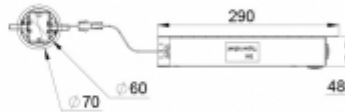
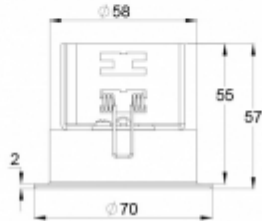
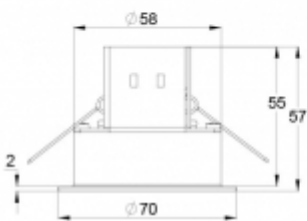
Tel +358 3 883 020 | VAT-number FI01494751 | teknoware.com | emexit@teknoware.com



- R1 distance from wall (X axis)
- R2 installation distance between lights (X axis)
- R3 installation distance between lights (Y axis)
- R4 distance from wall (Y axis)

TWT7651WK

| Mounting height (m) | Below the light lux | R1 (m) | R2 (m) | R3 (m) | R4 (m) |
|---------------------|---------------------|---------|---------|---------|---------|
| | | 0,5 lux | 0,5 lux | 0,5 lux | 0,5 lux |
| 2,5 | 25 | 4 | 7 | 7 | 4 |
| 4 | 10 | 5 | 9 | 9 | 5 |
| 6 | 4,5 | 6 | 11 | 11 | 6 |
| 8 | 2,5 | 6 | 10 | 10 | 6 |

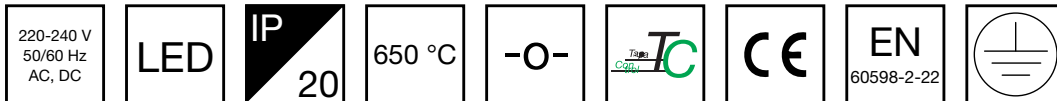


We reserve the rights to make modifications without notice.
Copyright © 2021 Teknoware. All rights reserved.
Date: February 24, 2021 | Source:
www.teknoware.com/en/emergency-lighting/trispot-led-emergency-light-tw7651wk

Teknoware Oy | P.O. Box 19, 15101 Lahti | Ilmarisentie 8, 15200 Lahti Finland
Tel +358 3 883 020 | VAT-number FI01494751 | teknoware.com | emexit@teknoware.com



TRISPOT LED EMERGENCY LIGHT Y7551WK



Addressable 230 V centrally supplied LED emergency light (Individually packed TWT7551WK)

Trispot LED emergency light is compact and stylish. It has a machined and anodized aluminium body, which gives a special exemplary appearance.

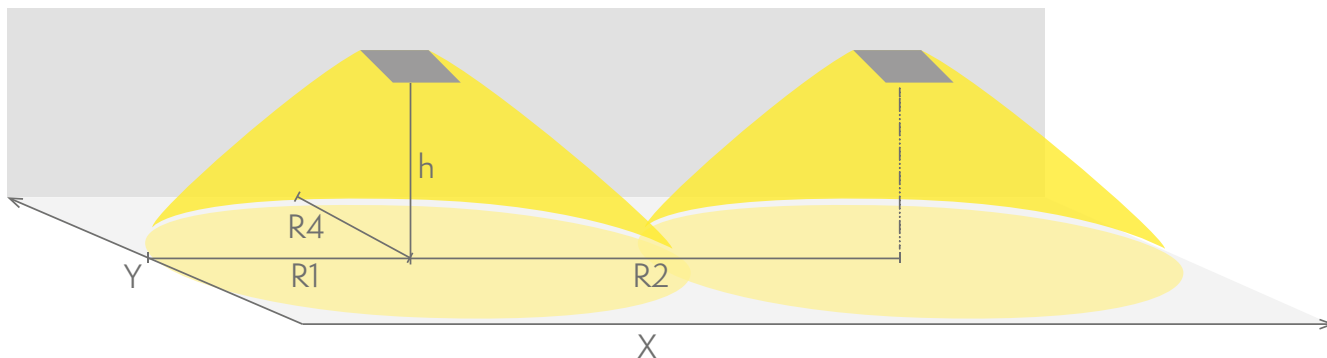
TWT75 is designed to illuminate particularly high areas. It uses the latest LED technology. The luminaires lighting pattern illuminates open areas effectively and allows for a high installation height.

| | |
|-------------------------------------|-----------------------------|
| Product Code | Y7551WK |
| Feature | Tapsa Control |
| Mounting (standard) | recess |
| Customs Code | 94056080 |
| GTIN Code | 6438045017914 |
| ETIM Product Class | EC001957 |
| Length | 385 mm |
| Width | 115 mm |
| Height | 95 mm |
| Weight | 0,5 kg |
| Max Input Power VA | 15,3 VA |
| Max Input Power W | 9,5 W |
| Nominal Supply Voltage | 220-240 V, 50/60 Hz AC, DC |
| Protection Class | I |
| IP Class | IP20 |
| Temperature Range Min - Max | -30...+50 °C |
| Glow Wire Test of Plastic Materials | 650 °C |
| Light Source | LED |
| Body Material | machined anodized aluminium |
| Aperture for Recess Mounting | ø60 mm |
| Electrical Installation | 3 x 2,5 mm ² |
| Luminous Flux | 350 lm |

Emergency lighting for escape routes (ceiling mounting)

Table of 1 lux for escape routes in the middle line according to the norm EN 1838.

Level of measurement 0,02 m, measurement result with battery operation.



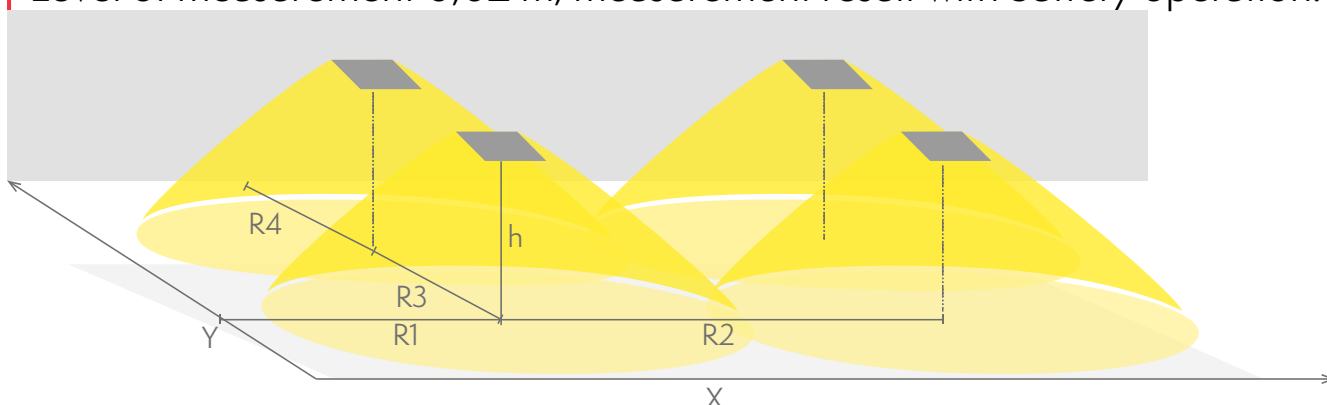
- R1 distance from wall (X axis)
- R2 installation distance between lights (X axis)
- R4 distance from wall (Y axis)

Y7551WK

| Mounting height (m) | Below the light lux | R1 (m) | R2 (m) | R4 (m) |
|---------------------|---------------------|--------|--------|--------|
| | | 1 lux | 1 lux | 1 lux |
| 2,5 | 240 | 2,5 | 6 | 2,5 |
| 4 | 95 | 3,5 | 9 | 3,5 |
| 6 | 42 | 4,5 | 11 | 4,5 |
| 8 | 23 | 6 | 13 | 6 |
| 10 | 15 | 5 | 14 | 5 |

Emergency lighting for open areas (ceiling mounting)

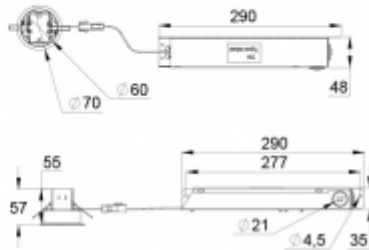
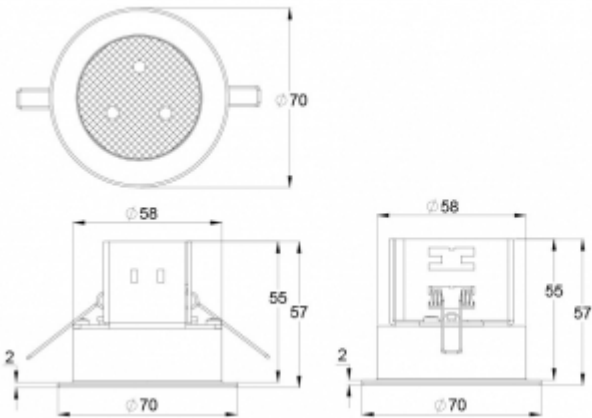
- Table of 0,5 lux for open areas according to the norm EN 1838, 0,5 m edge district is considered in the table.
- Level of measurement 0,02 m, measurement result with battery operation.



- R1 distance from wall (X axis)
- R2 installation distance between lights (X axis)
- R3 installation distance between lights (Y axis)
- R4 distance from wall (Y axis)

Y7551WK

| Mounting height (m) | Below the light lux | R1 (m) | R2 (m) | R3 (m) | R4 (m) |
|---------------------|---------------------|---------|---------|---------|---------|
| | | 0,5 lux | 0,5 lux | 0,5 lux | 0,5 lux |
| 2,5 | 240 | 2,5 | 4 | 4 | 2,5 |
| 4 | 95 | 3,5 | 7 | 7 | 3,5 |
| 6 | 42 | 4,5 | 8 | 8 | 4,5 |
| 8 | 23 | 5,5 | 10 | 10 | 5,5 |
| 10 | 15 | 5,5 | 11 | 11 | 5,5 |

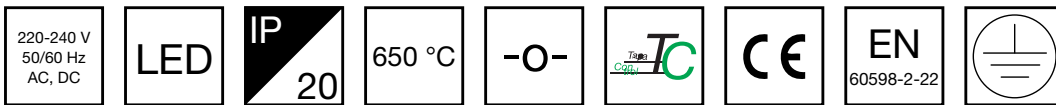


We reserve the rights to make modifications without notice.
Copyright © 2021 Teknoware. All rights reserved.
Date: February 24, 2021 | Source:
www.teknoware.com/en/emergency-lighting/trispot-led-emergency-light-y7551wk

Teknoware Oy | P.O. Box 19, 15101 Lahti | Ilmarisentie 8, 15200 Lahti Finland
Tel +358 3 883 020 | VAT-number FI01494751 | teknoware.com | emexit@teknoware.com



TRISPOT LED EMERGENCY LIGHT Y7651WK



Addressable 230 V centrally supplied LED emergency light (Individually packed TWT7651WK)

Trispot LED emergency light is compact and stylish. It has a machined and anodized aluminium body, which gives a special exemplary appearance.

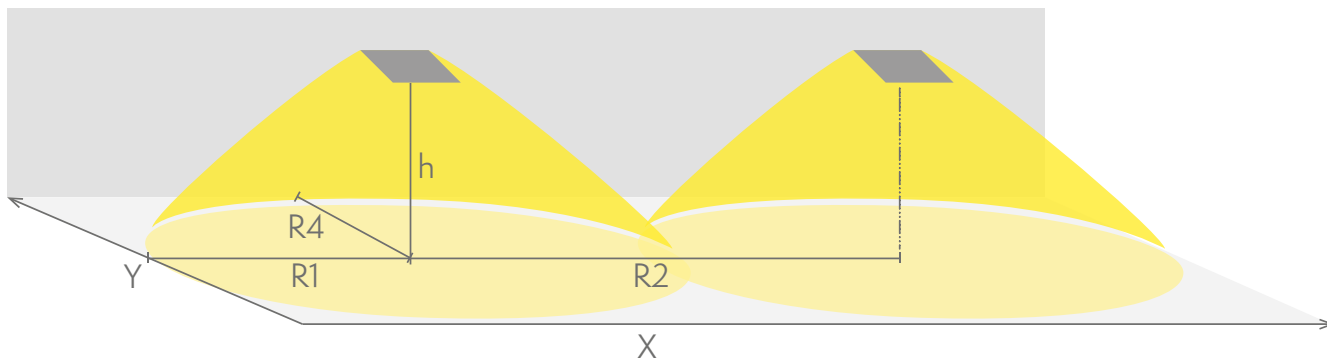
Low areas and open spaces suit TWT76, whose optics are designed to provide a broad and uniform light pattern.

| | |
|-------------------------------------|-----------------------------|
| Product Code | Y7651WK |
| Feature | Tapsa Control |
| Mounting (standard) | recess |
| Customs Code | 94056080 |
| GTIN Code | 6438045017891 |
| ETIM Product Class | EC001957 |
| Length | 385 mm |
| Width | 115 mm |
| Height | 95 mm |
| Weight | 0,5 kg |
| Max Input Power VA | 15,3 VA |
| Max Input Power W | 9,5 W |
| Nominal Supply Voltage | 220-240 V, 50/60 Hz AC, DC |
| Protection Class | I |
| IP Class | IP20 |
| Temperature Range Min - Max | -30...+50 °C |
| Glow Wire Test of Plastic Materials | 650 °C |
| Light Source | LED |
| Body Material | machined anodized aluminium |
| Aperture for Recess Mounting | ø60 mm |
| Electrical Installation | 3 x 2,5 mm ² |
| Luminous Flux | 360 lm |

Emergency lighting for escape routes (ceiling mounting)

Table of 1 lux for escape routes in the middle line according to the norm EN 1838.

Level of measurement 0,02 m, measurement result with battery operation.



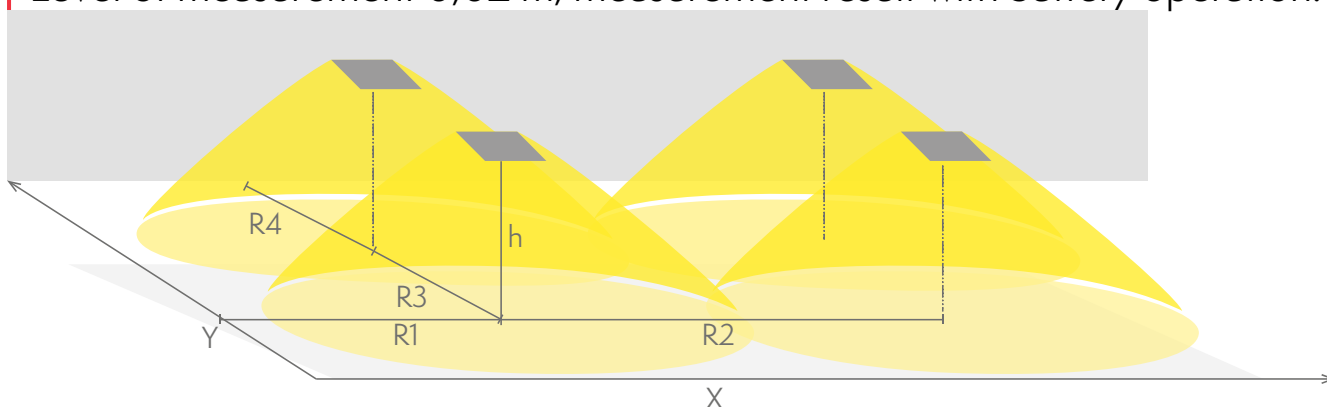
- R1 distance from wall (X axis)
- R2 installation distance between lights (X axis)
- R4 distance from wall (Y axis)

Y7651WK

| Mounting height (m) | Below the light lux | R1 (m) | R2 (m) | R4 (m) |
|---------------------|---------------------|--------|--------|--------|
| | | 1 lux | 1 lux | 1 lux |
| 2,5 | 25 | 4,5 | 10 | 4,5 |
| 4 | 10 | 4,5 | 12 | 4,5 |
| 6 | 4,5 | 5 | 14 | 5 |
| 8 | 2,5 | 5 | 14 | 5 |

Emergency lighting for open areas (ceiling mounting)

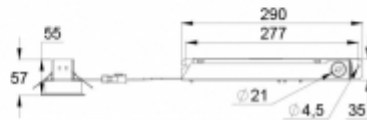
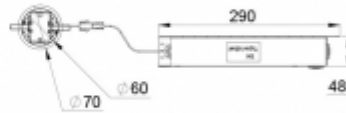
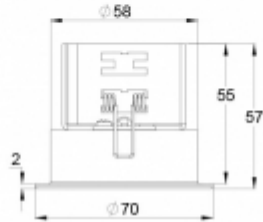
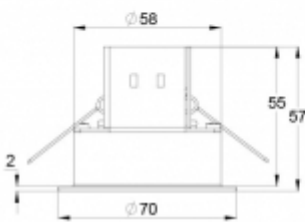
- Table of 0,5 lux for open areas according to the norm EN 1838, 0,5 m edge district is considered in the table.
- Level of measurement 0,02 m, measurement result with battery operation.



- R1 distance from wall (X axis)
- R2 installation distance between lights (X axis)
- R3 installation distance between lights (Y axis)
- R4 distance from wall (Y axis)

Y7651WK

| Mounting height (m) | Below the light lux | R1 (m) | R2 (m) | R3 (m) | R4 (m) |
|---------------------|---------------------|---------|---------|---------|---------|
| | | 0,5 lux | 0,5 lux | 0,5 lux | 0,5 lux |
| 2,5 | 25 | 4 | 7 | 7 | 4 |
| 4 | 10 | 5 | 9 | 9 | 5 |
| 6 | 4,5 | 6 | 11 | 11 | 6 |
| 8 | 2,5 | 6 | 10 | 10 | 6 |



We reserve the rights to make modifications without notice.
Copyright © 2021 Teknoware. All rights reserved.
Date: February 24, 2021 | Source:
www.teknoware.com/en/emergency-lighting/trispot-led-emergency-light-y7651wk

Teknoware Oy | P.O. Box 19, 15101 Lahti | Ilmarisentie 8, 15200 Lahti Finland
Tel +358 3 883 020 | VAT-number FI01494751 | teknoware.com | emexit@teknoware.com

