



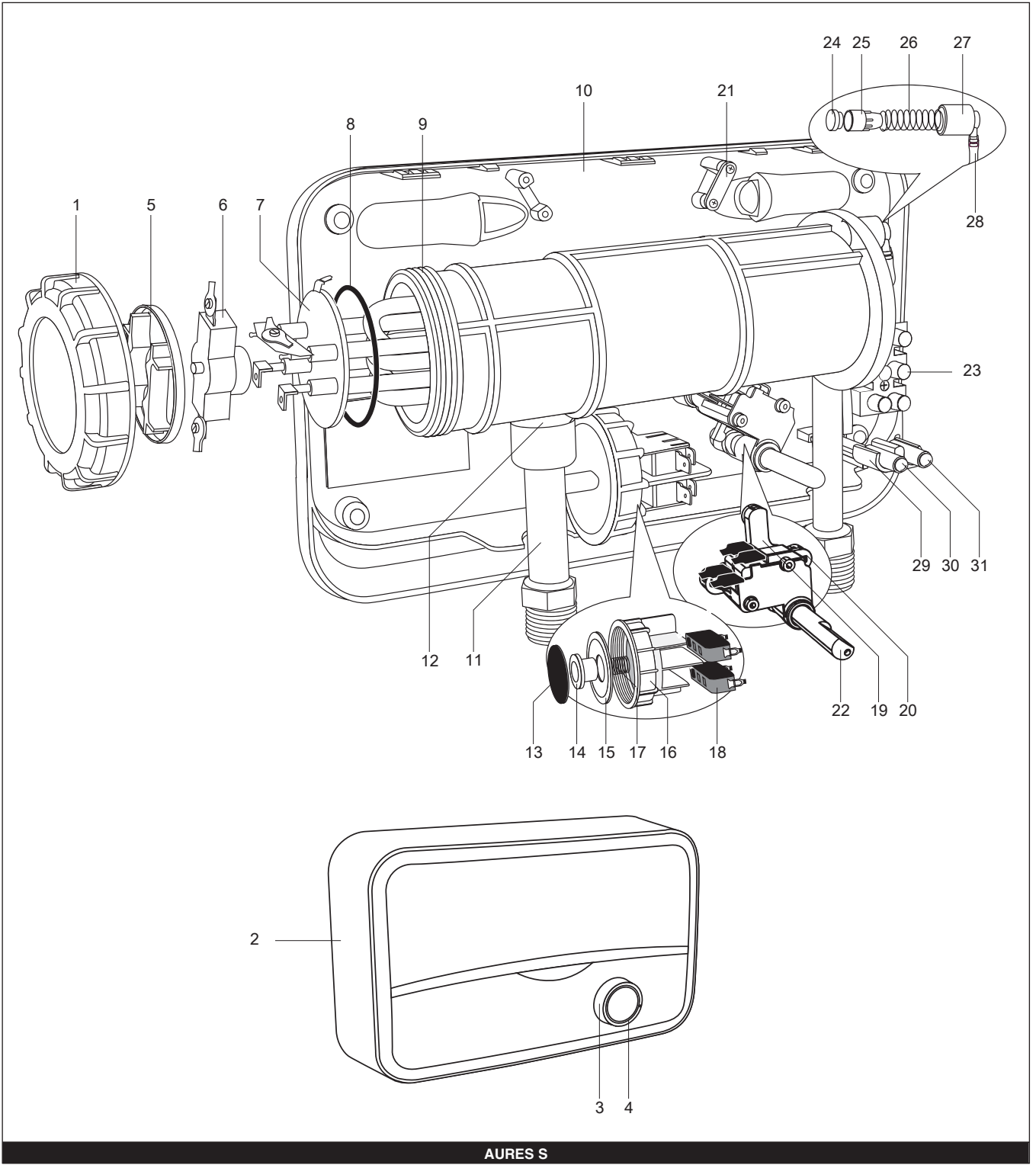
SPARE PARTS EXPLODED VIEW
INSTANTANEOUS ELECTRIC WATER HEATERS
Model
AURES SLIM

R8218265-03 - 07/10/2020

AURES SLIM

Instantaneous Electric Water Heaters

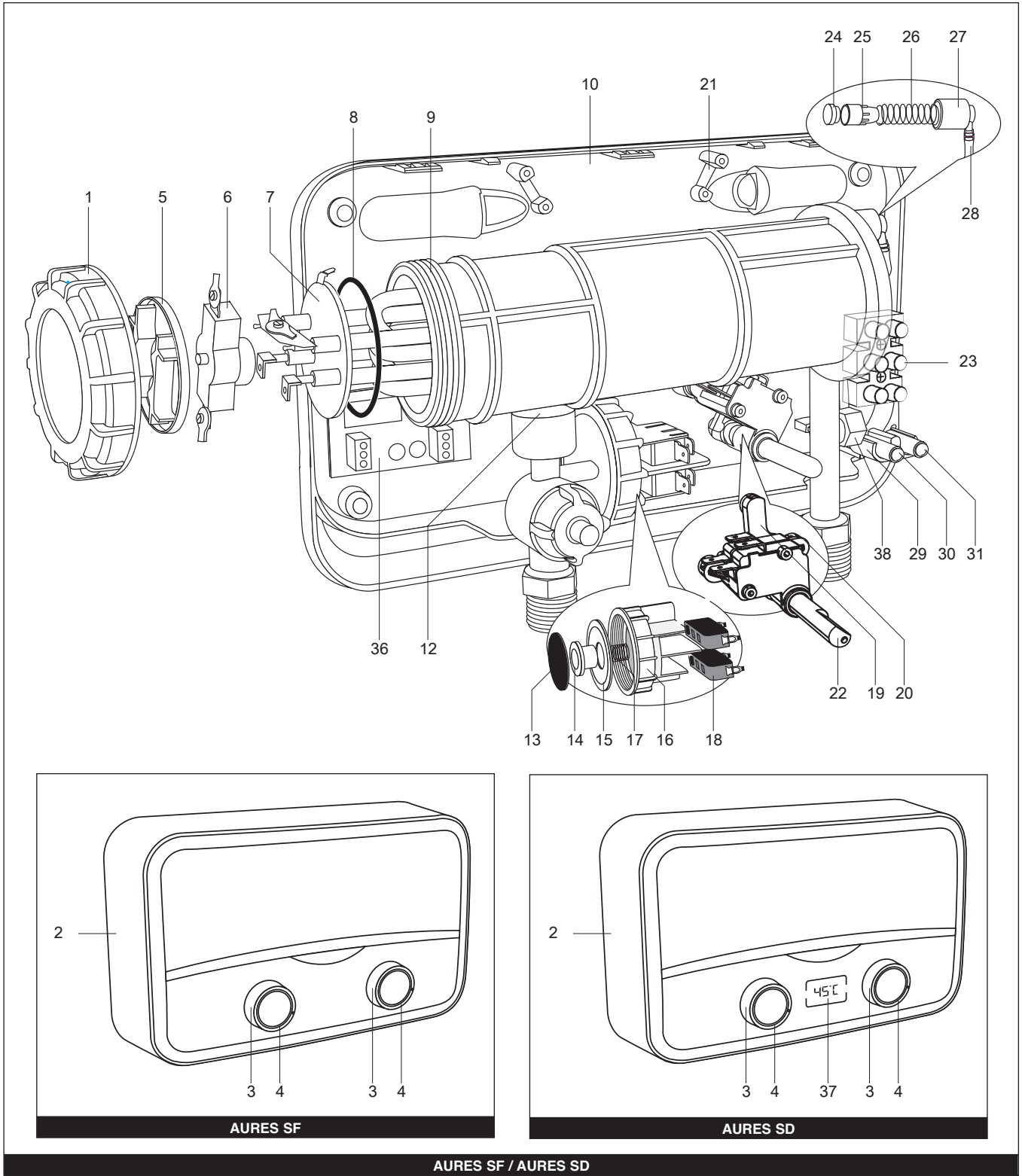
| | | | | |
|-----|-----------|--------------------|---------|-----|
| 1 | 3520010 | AURES S 3.5 COM PL | 07-2018 | - |
| 2 | 3520016 | AURES S 3.5 SH PL | 07-2018 | - |
| 3 | 3520011 | AURES S 4 SH EU | 07-2018 | - |
| 4 | 3520012 | AURES S 5 SH EU | 07-2018 | - |
| 5 | 3520013 | AURES S 5.5 SH EU | 07-2018 | - |
| 6 | 3520018 | AURES SF 5.5 COM | 07-2018 | - |
| 7 | 3520020 | AURES SD 5.5 BS EU | 07-2018 | - |
| 8 | 3520014 | AURES S 7 SH SASO | 07-2018 | - |
| 9 | 3520019 | AURES SF 7 SH EU | 07-2018 | - |
| 10 | 3520017 | AURES S 7.7 SH EU | 07-2018 | - |
| Col | Reference | Model type | Begin | End |



AURES S



| ☉⇒ | Description | Manf. Pt. N | Type | <div style="display: flex; justify-content: space-between; font-size: small; text-align: center;"> AURES S 3.5 COM PL AURES S 3.5 SH PL AURES S 4 SH EU AURES S 5 SH EU AURES SF 5.5 EU AURES SD 5.5 COM AURES S 7 SH 8X EU AURES S 7 SH EU </div> | | | | | | | | | | | | | | | | | | From | to |
|------|--|-------------|------|--|---|---|---|---|---|---|---|---|----|----|----|----|----|----|----|----|----|------|----|
| | | | | 1 | 2 | 3 | 4 | 5 | 6 | 7 | 8 | 9 | 10 | 11 | 12 | 13 | 14 | 15 | 16 | 17 | 18 | | |
| 0001 | BIG NUT FOR HEATING ELEMENT LOCK | 65180185 | | • | • | • | • | • | | | | • | • | | | | | | | | | | |
| 0002 | FRONT COVER | 65118283 | | • | • | • | • | • | | | | • | • | | | | | | | | | | |
| 0003 | KNOB (REGULATION) | 65118284 | | • | • | • | • | • | | | | • | • | | | | | | | | | | |
| 0004 | KNOB RING | 65118285 | | • | • | • | • | • | | | | • | • | | | | | | | | | | |
| 0005 | THERMOSTAT HOLDER | 65118286 | | • | • | • | • | • | | | | • | • | | | | | | | | | | |
| 0006 | THERMOSTAT ELTH WITH RESET | 65180209 | | • | • | • | • | • | | | | • | • | | | | | | | | | | |
| 0007 | HEATING ELEMENT 3.5KW 220V | 65118287 | | • | • | | | | | | | | | | | | | | | | | | |
| | HEATING ELEMENT 4KW 220V | 65118306 | | | | • | | | | | | | | | | | | | | | | | |
| | HEATING ELEMENT 5.5KW 220V | 65118307 | | | | | | • | | | | | | | | | | | | | | | |
| | HEATING ELEMENT 5KW 220V | 65180270 | | | | | | • | | | | | | | | | | | | | | | |
| | HEATING ELEMENT 7.7KW | 65118316 | | | | | | | | | | | | | | | | | • | | | | |
| | HEATING ELEMENT 7KW 220V | 65180206 | | | | | | | | | | • | | | | | | | | | | | |
| 0008 | O'RING FOR DEEP FLANGE (63.6*59.2*2.2MM) | 65118288 | | • | • | • | • | • | | | | • | • | | | | | | | | | | |
| 0009 | HEATING TANK | 65118289 | | • | • | • | • | • | | | | • | • | | | | | | | | | | |
| 0010 | BACK COVER | 65118290 | | • | • | • | • | • | | | | • | • | | | | | | | | | | |
| 0011 | INLET PIPE | 65118291 | | • | • | • | • | • | | | | • | • | | | | | | | | | | |
| 0012 | O-RING14X2,62 | 65180221 | | • | • | • | • | • | | | | • | • | | | | | | | | | | |
| 0013 | EXTERNAL MEMBRANE (PRESSURE SWITCH) | 65180174 | | • | • | • | • | • | | | | • | • | | | | | | | | | | |
| 0014 | PISTON (PRESSURE SWITCH) | 65118317 | | • | • | • | • | • | | | | • | • | | | | | | | | | | |
| 0015 | INTERNAL MEMBRANE (PRESSURE SWITCH) | 65118318 | | • | • | • | • | • | | | | • | • | | | | | | | | | | |
| 0016 | PISTON (PRESSURE SWITCH) | 65118319 | | • | • | • | • | • | | | | • | • | | | | | | | | | | |
| 0017 | SPRING | 65180175 | | • | • | • | • | • | | | | • | • | | | | | | | | | | |
| 0018 | MICROSWITCH 25A | 65180180 | | • | • | • | • | • | | | | • | • | | | | | | | | | | |
| 0019 | POWER SELECTOR HOUSING | 65118293 | | • | • | • | • | • | | | | • | • | | | | | | | | | | |
| 0020 | MICROSWITCH 2 CONTACTS | 65180294 | | • | • | • | • | • | | | | • | • | | | | | | | | | | |
| 0021 | CABLE HOLDER | 65118294 | | • | • | • | • | • | | | | • | • | | | | | | | | | | |
| 0022 | KNOB SPINDLE | 65118295 | | • | • | • | • | • | | | | • | • | | | | | | | | | | |
| 0023 | TERMINAL BLOCK | 65180201 | | • | • | • | • | • | | | | • | • | | | | | | | | | | |
| 0024 | GASKET+ HOLDER | 65180235 | | • | • | • | • | • | | | | • | • | | | | | | | | | | |
| 0025 | GASKET HOLDER | 65118296 | | • | • | • | • | • | | | | • | • | | | | | | | | | | |
| 0026 | SPRING | 65180435 | | • | • | • | • | • | | | | • | • | | | | | | | | | | |
| 0027 | PRD PIPE | 65118298 | | • | • | • | • | • | | | | • | • | | | | | | | | | | |
| 0028 | PLASTIC PIPE | 65118299 | | • | • | • | • | • | | | | • | • | | | | | | | | | | |
| 0029 | LED HOLDER | 65118300 | | • | • | • | • | • | | | | • | • | | | | | | | | | | |
| 0030 | LEFT LED | 65118301 | | • | • | • | • | • | | | | • | • | | | | | | | | | | |
| 0031 | RIGHT LED | 65118302 | | • | • | • | • | • | | | | • | • | | | | | | | | | | |
| 0032 | FLEXIBLE HOSE (WHITE) | 65118303 | | • | • | • | • | • | | | | • | • | | | | | | | | | | |
| 0033 | FIXING BAR | 65153727 | | • | • | • | • | • | | | | • | • | | | | | | | | | | |
| 0034 | TAP (WHITE) | 65118304 | | • | | | | | | | | | | | | | | | | | | | |
| 0035 | SHOWER HEAD | 65118377 | | • | • | • | • | • | | | | • | • | | | | | | | | | | |



35



AURES SD 5.5 BS EU



33



32



34



39

| ☉⇒ | Description | Manf. Pt. N | Type | <div style="display: flex; justify-content: space-between; font-size: 8px; transform: rotate(-45deg);"> AURES S 3.5 COM PL AURES S 3.5 SH PL AURES S 4 SH PL AURES S 5 SH EU AURES S 5.5 SH EU AURES SF 5.5 SH EU AURES SD 5.5 COM AURES S 7 SH 85 EU AURES SF 7 SH 85 AURES S 7.7 SH EU </div> | | | | | | | | | | | | | | | | | | From | to |
|------|--|-------------|------|---|---|---|---|---|---|---|---|---|----|----|----|----|----|----|----|----|----|------|----|
| | | | | 1 | 2 | 3 | 4 | 5 | 6 | 7 | 8 | 9 | 10 | 11 | 12 | 13 | 14 | 15 | 16 | 17 | 18 | | |
| 0001 | BIG NUT FOR HEATING ELEMENT LOCK | 65180185 | | | | | | | | ● | ● | ● | | | | | | | | | | | |
| 0002 | FRONT COVER | 65118283 | | | | | | | | ● | ● | ● | | | | | | | | | | | |
| 0003 | KNOB (REGULATION) | 65118284 | | | | | | | | ● | ● | ● | | | | | | | | | | | |
| 0004 | KNOB RING | 65118285 | | | | | | | | ● | ● | ● | | | | | | | | | | | |
| 0005 | THERMOSTAT HOLDER | 65118286 | | | | | | | | ● | ● | ● | | | | | | | | | | | |
| 0006 | THERMOSTAT ELTH WITH RESET | 65180209 | | | | | | | | ● | ● | ● | | | | | | | | | | | |
| 0007 | HEATING ELEMENT 5.5KW | 65118308 | | | | | | | | ● | ● | ● | | | | | | | | | | | |
| | HEATING ELEMENT 7KW 220V | 65180206 | | | | | | | | | | ● | | | | | | | | | | | |
| 0008 | O'RING FOR DEEP FLANGE (63.6*59.2*2.2MM) | 65118288 | | | | | | | | ● | ● | ● | | | | | | | | | | | |
| 0009 | HEATING TANK | 65118289 | | | | | | | | ● | ● | ● | | | | | | | | | | | |
| 0010 | BACK COVER | 65118290 | | | | | | | | ● | ● | ● | | | | | | | | | | | |
| 0012 | O-RING14X2,62 | 65180221 | | | | | | | | ● | ● | ● | | | | | | | | | | | |
| 0013 | EXTERNAL MEMBRANE (PRESSURE SWITCH) | 65180174 | | | | | | | | ● | ● | ● | | | | | | | | | | | |
| 0014 | PISTON (PRESSURE SWITCH) | 65118317 | | | | | | | | ● | ● | ● | | | | | | | | | | | |
| 0015 | INTERNAL MEMBRANE (PRESSURE SWITCH) | 65118318 | | | | | | | | ● | ● | ● | | | | | | | | | | | |
| 0016 | PISTON (PRESSURE SWITCH) | 65118319 | | | | | | | | ● | ● | ● | | | | | | | | | | | |
| 0017 | SPRING | 65180175 | | | | | | | | ● | ● | ● | | | | | | | | | | | |
| 0018 | MICROSWITCH 25A | 65180180 | | | | | | | | ● | ● | ● | | | | | | | | | | | |
| 0019 | POWER SELECTOR HOUSING | 65118293 | | | | | | | | ● | ● | ● | | | | | | | | | | | |
| 0020 | MICROSWITCH 2 CONTACTS | 65180294 | | | | | | | | ● | ● | ● | | | | | | | | | | | |
| 0021 | CABLE HOLDER | 65118294 | | | | | | | | ● | ● | ● | | | | | | | | | | | |
| 0022 | KNOB SPINDLE | 65118295 | | | | | | | | ● | ● | ● | | | | | | | | | | | |
| 0023 | TERMINAL BLOCK | 65180201 | | | | | | | | ● | ● | ● | | | | | | | | | | | |
| 0024 | GASKET+ HOLDER | 65180235 | | | | | | | | ● | ● | ● | | | | | | | | | | | |
| 0025 | GASKET HOLDER | 65118296 | | | | | | | | ● | ● | ● | | | | | | | | | | | |
| 0026 | SPRING | 65180435 | | | | | | | | ● | ● | ● | | | | | | | | | | | |
| 0027 | PRD PIPE | 65118298 | | | | | | | | ● | ● | ● | | | | | | | | | | | |
| 0028 | PLASTIC PIPE | 65118299 | | | | | | | | ● | ● | ● | | | | | | | | | | | |
| 0029 | LED HOLDER | 65118300 | | | | | | | | ● | ● | ● | | | | | | | | | | | |
| 0030 | LEFT LED | 65118301 | | | | | | | | ● | ● | ● | | | | | | | | | | | |
| 0031 | RIGHT LED | 65118302 | | | | | | | | ● | ● | ● | | | | | | | | | | | |
| 0032 | FLEXIBLE HOSE (STAINLESS STEEL) | 65118314 | | | | | | | | ● | ● | ● | | | | | | | | | | | |
| | FLEXIBLE HOSE (WHITE) | 65118303 | | | | | | | | ● | ● | ● | | | | | | | | | | | |
| 0033 | FIXING BAR | 65153727 | | | | | | | | ● | ● | ● | | | | | | | | | | | |
| 0034 | TAP (WHITE) | 65118304 | | | | | | | | ● | ● | ● | | | | | | | | | | | |
| 0035 | SHOWER HEAD | 65118377 | | | | | | | | ● | ● | ● | | | | | | | | | | | |
| | SHOWER HEAD | 65118378 | | | | | | | | | ● | ● | | | | | | | | | | | |
| 0036 | POWER P.C.B. | 65118310 | | | | | | | | ● | ● | ● | | | | | | | | | | | |
| 0037 | DISPLAY | 65118311 | | | | | | | | ● | ● | ● | | | | | | | | | | | |
| 0038 | PLASTIC THERMISTOR NUT | 65118312 | | | | | | | | ● | ● | ● | | | | | | | | | | | |
| 0039 | SLIDING BAR | 65118315 | | | | | | | | ● | ● | ● | | | | | | | | | | | |

LIST OF THE ABBREVIATIONS

| | |
|-------------|--|
| HW | : Hot water. |
| CW | : Cold water. |
| C | : Ceramic resistance (normal heating). |
| Ca | : Ceramic resistance (accelerated heating) |
| TP | : Immersion heater. |
| 1F | : With fittings. |
| 2F | : Without fittings. |
| 3F | : With fittings and another outlet connection. |
| AMI | : With mixing valve. |
| SMI | : Without mixing valve. |
| PUISS | : Power of th appliance. |
| PN | : Appliance with normal pression. |
| LP | : Appliance with low pression. |
| PV | : Appliance with variable power. |
| PF | : Appliance with fixed power. |

IDENTIFICATION PLATE

SERIAL NUMBER

6 Characters :
 Year of manufacture 03 09 08 Manufacturing day
 Month of manufacture

9 Characters :
 Year of manufacture 5 9 12 0606 Sequential number
 Month of manufacture

14 Characters :
 SI-V-0B0 45 07 0001
 Sequential number
 Year of manufacture : 6 → 2004
 Month of manufacture : → 25 → January 43 → July 7 → 2005
 13 → February 29 → August 8 → 2006
 32 → March 40 → September etc ...
 35 → April 38 → October
 39 → May 51 → November
 45 → June 12 → December

14 Characters :
 111518 XX 000010
 Month of manufacture 11 Sequential number
 Day of manufacture 18 Year of manufacture

15 Characters :
 02 11 00001 007843
 Year of manufacture 02 Product reference
 Month of manufacture 11 Sequential number

21 Characters :
 3200050 XX 08115 0000001
 Product reference 3200050 Sequential number
 Year (08) / Manufacturing day (115)

22 Characters :
 3200050 XX 070115 0000001
 Product reference 3200050 Sequential number
 Year (07) / Month (01) / Manufacturing day (15)