

# SOLID LINE LOWBAY

## IP65 LED EMERGENCY LIGHT FOR ESCAPE ROUTES

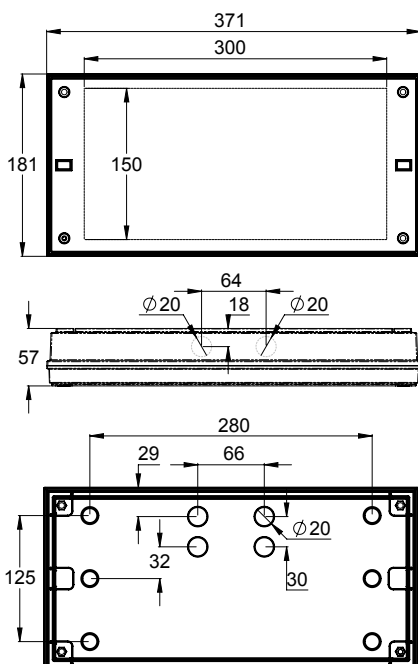


SOLID Line Lowbay are designed for escape route emergency lighting. The luminaire is completely dust proof and water proof, so for example it is suitable for industrial premises and parking halls. ESCAP and centrally supplied luminaires are also suitable for outdoor use.

The SOLID luminaire uses long lasting leds as its light source.

Special attention has been paid to the design, for easy installation

### DIMENSIONS



- ⊕ = Protection class of luminaire is 1
- ⊕ = Protection class of luminaire is 2
- ⊕ = Protection class of luminaire is 3
- ⊕ = Luminaire is suitable for through-wiring
- IP20 = Protection rating
- RAL = Colour of the body
- 2000 = Viewing distance
- LED = LED as a light source
- Aalto = Aalto Control compatible (incl. Lumi Test)
- M = Self-contained luminaire with Lumi test self-testing
- Escap = Self-contained luminaire with 1 h super capacitor backup
- C = Compatible with Tapsa Control Central Battery Unit and Local Controller
- 850 = compliant with the 850 glow wire test
- IC = Compatible with Intelligent Controller
- CBS = Centrally supplied

## CENTRALLY SUPPLIED LUMINAIRES

### 24-230 V CENTRALLY SUPPLIED EMERGENCY LIGHTS

Product code	Nominal supply voltage	Max input power	Luminous flux (lm)	Operation mode	Temperature range	Electrical installation	Weight (kg)
TWT4271W	24-230 V, 50/60 Hz AC,DC	24 V= 7,8 VA / 5,5 W 230 V= 14,5 VA / 6,5 W	220	CBS	-30... +50°C	24 V= 2 x 2,5 mm <sup>2</sup> 230 V= 3 x 2,5 mm <sup>2</sup> -o-	1,1
Y4271W	(individually packed incl. TWT4271W)						1,3

### ADDRESSABLE 230 V CENTRALLY SUPPLIED EMERGENCY LIGHTS

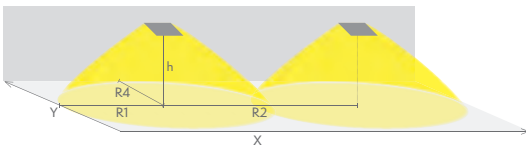


Product code	Nominal supply voltage	Max input power	Luminous flux (lm)	Operation mode	Temperature range	Electrical installation	Weight (kg)
TWT4251WK	220-240 V, 50/60 Hz AC	10 VA / 6 W	220	CBS / C + IC	-30... +50°C	2/3 x 2,5 mm <sup>2</sup> -o-	1,1
Y4251WK	(individually packed incl. TWT4251WK)						1,3

## LIGHT DISTRIBUTION TABLES

### Emergency lighting for escape routes (ceiling mounting)

Table of 1 lux for escape routes in the middle line according to the norm EN 1838.  
Level of measurement 0,02 m, measurement result with battery operation.



R1 distance from wall (X axis)  
R2 installation distance between lights (X axis)  
R4 distance from wall (Y axis)

TWT4271W, TWT4251WK

Mounting height (m)	Below the light (lux)	R1 (m)	R2 (m)	R4 (m)
		1 lux	1 lux	1 lux
2,5	8	8	19	1
3	5,5	9	21	1
4	3	10	25	1

# SOLID LINE LOWBAY



## SELF-CONTAINED LUMINAIRES WITH SUPER CAPACITOR

### SELF-CONTAINED EMERGENCY LIGHTS WITH SUPER CAPACITOR AND WIRELESS CENTRAL MONITORING



Product code	Nominal supply voltage	Max input power	Luminous flux (lm)	Operation mode	Temperature range	Electrical installation	Weight (kg)
TWS4292WA	220-240 V, 50/60 Hz AC	3 VA	90	1 h Escap + Aalto	-25... +35°C	2/3 x 2,5 mm <sup>2</sup> -0-	1,5
Y4292WA	(individually packed incl. TWS4292WA)						

### SELF-CONTAINED EMERGENCY LIGHTS WITH SUPER CAPACITOR AND SELF-TESTING

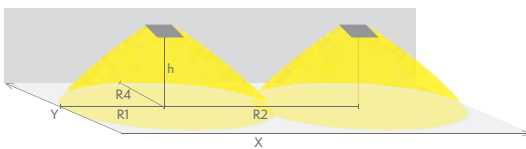


Product code	Nominal supply voltage	Max input power	Luminous flux (lm)	Operation mode	Temperature range	Electrical installation	Weight (kg)
TWS4292WM	220-240 V, 50/60 Hz AC	3 VA	90	1 h Escap + M	-25... +35°C	2/3 x 2,5 mm <sup>2</sup> -0-	1,5
Y4292WM	(individually packed incl. TWS4292WM)						

## LIGHT DISTRIBUTION TABLES

### Emergency lighting for escape routes (ceiling mounting)

Table of 1 lux for escape routes in the middle line according to the norm EN 1838.  
Level of measurement 0,02 m, measurement result with battery operation.



R1 distance from wall (X axis) | R2 installation distance between lights (X axis) | R4 distance from wall (Y axis)

#### TWS4292WA, TWS4292WM

Mounting height (m)	Below the light (lux)	R1 (m)	R2 (m)	R4 (m)
		1 lux	1 lux	1 lux
2,5	2,5	7	16	1
3	1,5	8	18	1

- ⊕ = Protection class of luminaire is 1
- ⊕ = Protection class of luminaire is 2
- ⊕ = Protection class of luminaire is 3
- ⊕ = Luminaire is suitable for through-wiring
- IP20 = Protection rating
- White = Colour of the body
- 3000 = Viewing distance
- LED = LED as a light source
- Aalto = Aalto Control compatible (incl. Lumi Test)
- M = Self-contained luminaire with Lumi test self-testing
- Escap = Self-contained luminaire with 1 h super capacitor backup
- C = Compatible with Tapsa Control Central Battery Unit and Local Controller
- 850 = compliant with the 850 glow wire test
- IC = Compatible with Intelligent Controller
- CBS = Centrally supplied

## SELF-CONTAINED LUMINAIRES WITH BATTERY

### SELF-CONTAINED EMERGENCY LIGHTS WITH 1 H BATTERY AND WIRELESS CENTRAL MONITORING



Product code	Nominal supply voltage	Max input power	Luminous flux (lm)	Operation mode	Temperature range	Electrical installation	Weight (kg)
TWT4252WA	220-240 V, 50/60 Hz AC	2,6 VA	220	1 h battery + Aalto	0... +35°C	2/3 x 2,5 mm <sup>2</sup> -o-	1,5
Y4252WA	(individually packed incl. TWT4252WA)						

### SELF-CONTAINED EMERGENCY LIGHTS WITH 3 H BATTERY AND WIRELESS CENTRAL MONITORING

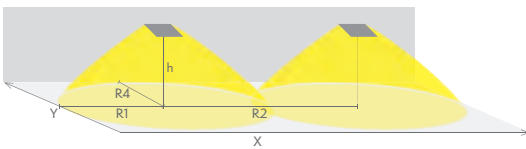


Product code	Nominal supply voltage	Max input power	Luminous flux (lm)	Operation mode	Temperature range	Electrical installation	Weight (kg)
TWT4253WA	220-240 V, 50/60 Hz AC	3,5 VA	220	3 h battery + Aalto	0... +35°C	2/3 x 2,5 mm <sup>2</sup> -o-	1,5
Y4253WA	(individually packed incl. TWT4253WA)						

## LIGHT DISTRIBUTION TABLES

### Emergency lighting for escape routes (ceiling mounting)

- | Table of 1 lux for escape routes in the middle line according to the norm EN 1838.
- | Level of measurement 0,02 m, measurement result with battery operation.



- | R1 distance from wall (X axis)
- | R2 installation distance between lights (X axis)
- | R4 distance from wall (Y axis)

#### TWT4252WA, TWT4253WA

Mounting height (m)	Below the light (lux)	R1 (m)	R2 (m)	R4 (m)
		1 lux	1 lux	1 lux
2,5	8	8	19	1
3	5,5	9	21	1
4	3	10	25	1

# SOLID LINE LOWBAY



## SELF-CONTAINED LUMINAIRES WITH BATTERY

### SELF-CONTAINED EMERGENCY LIGHTS WITH 1 H BATTERY AND SELF-TESTING



Product code	Nominal supply voltage	Max input power	Luminous flux (lm)	Operation mode	Temperature range	Electrical installation	Weight (kg)
TWT4252WM	220-240 V, 50/60 Hz AC	2,1 VA	220	1 h battery + M	0... +35°C	2/3 x 2,5 mm <sup>2</sup> -o-	1,5
Y4252WM	(individually packed incl. TWT4252WM)						

### SELF-CONTAINED EMERGENCY LIGHTS WITH 3 H BATTERY AND SELF-TESTING

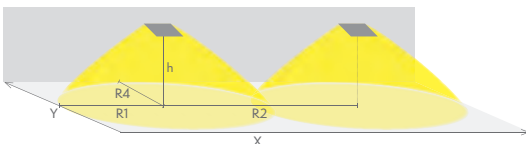


Product code	Nominal supply voltage	Max input power	Luminous flux (lm)	Operation mode	Temperature range	Electrical installation	Weight (kg)
TWT4253WM	220-240 V, 50/60 Hz AC	3,3 VA	220	3 h battery + M	0... +35°C	2/3 x 2,5 mm <sup>2</sup> -o-	1,5
Y4253WM	(individually packed incl. TWT4253WA)						

## LIGHT DISTRIBUTION TABLES

### Emergency lighting for escape routes (ceiling mounting)

Table of 1 lux for escape routes in the middle line according to the norm EN 1838.  
Level of measurement 0,02 m, measurement result with battery operation.



R1 distance from wall (X axis)

R2 installation distance between lights (X axis)

R4 distance from wall (Y axis)

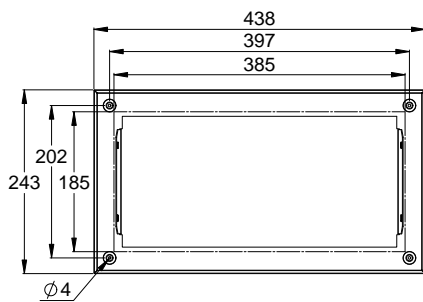
#### TWT4253WA, TWT4252WM

Mounting height (m)	Below the light (lux)	R1 (m)	R2 (m)	R4 (m)
		1 lux	1 lux	1 lux
2,5	8	8	19	1
3	5,5	9	21	1
4	3	10	25	1

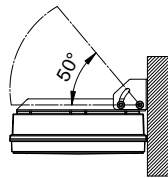
## ACCESSORIES

Product code	Product description
TWT3001	Recess mounting frame
TWT3002	Wall bracket
TWT3003	Flag bracket
TWT3004	Ceiling bracket

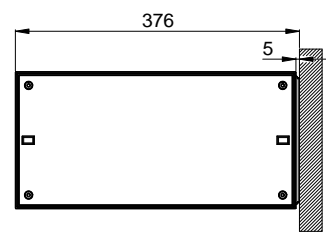
RECESS MOUNTING FRAME  
TWT3001



WALL MOUNTING  
WITH WALL BRACKET TWT3002



FLAG MOUNTING WITH  
FLAG BRACKET TWT3003



WALL MOUNTING  
WITH WALL BRACKET TWT3004

