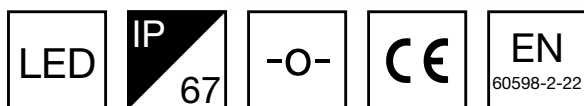


ROBUST 86 EMERGENCY LIGHTS



Robust 86 is a LED emergency light for surface mounting to the ceiling. It has an especially robust design and a metal body.

With their high IP class and a very rugged construction, the luminaires are suitable for demanding environments, such as damp locations, industry and tunnels

The product codes starting with letter Y include an individually packed luminaire. The product codes starting with TW include the luminaire only.

ADDRESSABLE 230 V CENTRALLY SUPPLIED EMERGENCY LIGHTS

Product Code	Nominal Supply Voltage	Feature
TWT8651WK	220-240 V, 50/60 Hz AC, DC	Tapsa Control

We reserve the rights to make modifications without notice.

Copyright © 2021 Teknoware. All rights reserved.

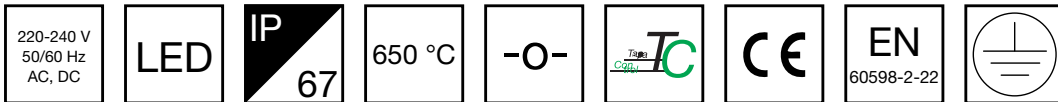
Date: February 24, 2021 | Source:

www.teknoware.com/en/emergency-lighting/emergency-lights/emergency-light-product-families/robust-86-emergency-lights



Teknoware Oy | P.O. Box 19, 15101 Lahti | Ilmarisentie 8, 15200 Lahti Finland
Tel +358 3 883 020 | VAT-number FI01494751 | teknoware.com | emexit@teknoware.com

ROBUST 86 EMERGENCY LIGHT TWT8651WK



Addressable 230 V centrally supplied Emergency Light

Robust 86 is a emergency light for surface mounting to the ceiling. It has an especially robust design and a metal body.

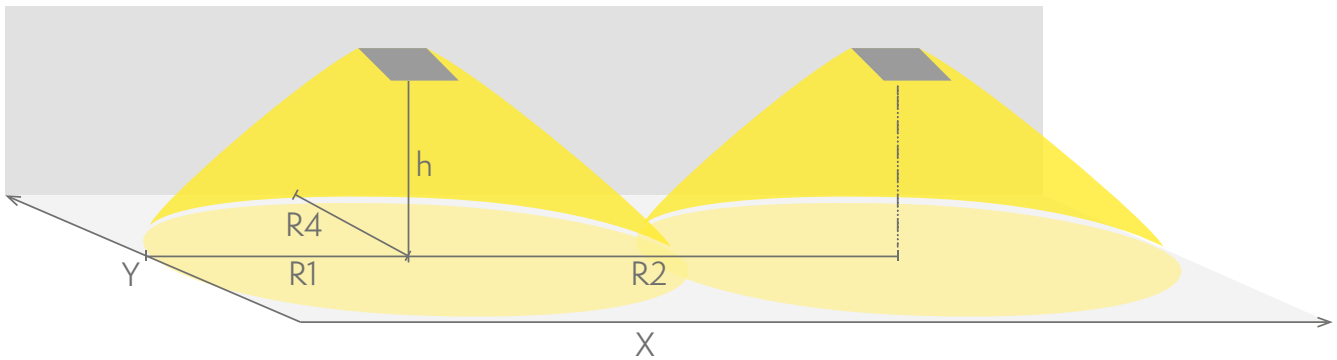
With their high IP class and a very rugged construction, the luminaires are suitable for demanding environments, such as damp locations, industry and tunnels.

Product Code	TWT8651WK
Feature	Tapsa Control
Customs Code	94056080
GTIN Code	6438045023045
ETIM Product Class	EC001957
Length	304 mm
Width	126 mm
Height	126 mm
Weight	1.3 kg
Max Input Power VA	40 VA
Max Input Power W	18 W
Nominal Supply Voltage	220-240 V, 50/60 Hz AC, DC
Protection Class	I
IP Class	IP67
Temperature Range Min - Max	-30...+50 °C
Glow Wire Test of Plastic Materials	650 °C
Light Source	LED
Body Material	metal
Electrical Installation	3 x 2,5 mm ²
Luminous Flux	900 lm

Emergency lighting for escape routes (ceiling mounting)

Table of 1 lux for escape routes in the middle line according to the norm EN 1838.

Level of measurement 0,02 m, measurement result with battery operation.



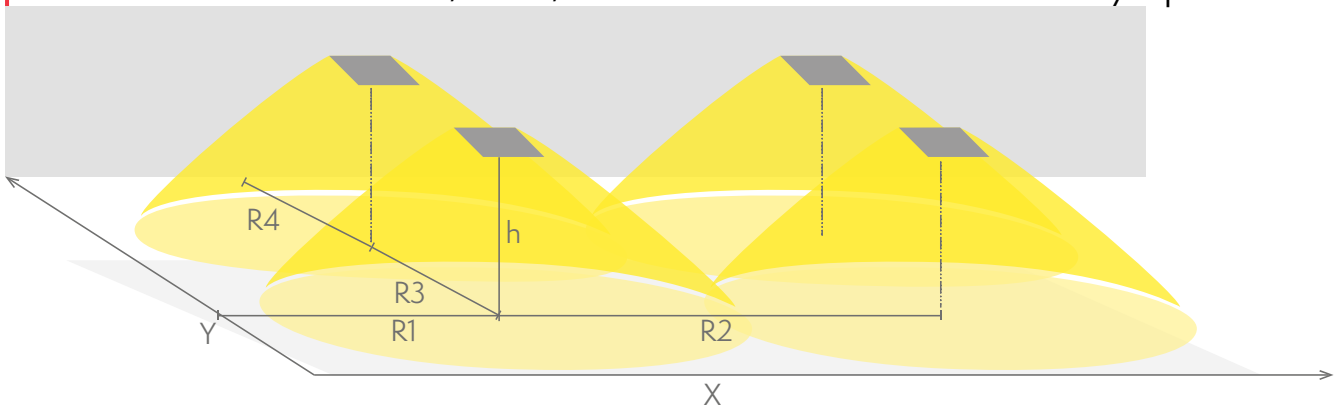
- R1 distance from wall (X axis)
- R2 installation distance between lights (X axis)
- R4 distance from wall (Y axis)

TWT8651WK

Mounting height (m)	Below the light lux	R1 (m)	R2 (m)	R4 (m)
		1 lux	1 lux	1 lux
4	32	8	18	6.5
6	14	9	22	8.5
8	8	9	24	8.5
10	5	9	24	8

Emergency lighting for open areas (ceiling mounting)

Table of 0,5 lux for open areas according to the norm EN 1838, 0,5 m edge district is considered in the table.
 Level of measurement 0,02 m, measurement result with battery operation.



- R1 distance from wall (X axis)
- R2 installation distance between lights (X axis)
- R3 installation distance between lights (Y axis)
- R4 distance from wall (Y axis)

TWT8651WK

Mounting height (m)	Below the light lux	R1 (m)	R2 (m)	R3 (m)	R4 (m)
		0,5 lux	0,5 lux	0,5 lux	0,5 lux
4	32	10.2	14	14	7.5
6	14	11.7	16	16	8.5
8	8	13.2	16	16	8.5
10	5	13.2	16	16	8.5
12	3	13.2	16	16	8.5
14	2.5	13.2	16	16	8.5
16	2	10	14	14	7
18	1.5	8	12	12	6
20	1	7	8	8	5

We reserve the rights to make modifications without notice.

Copyright © 2021 Teknoware. All rights reserved.

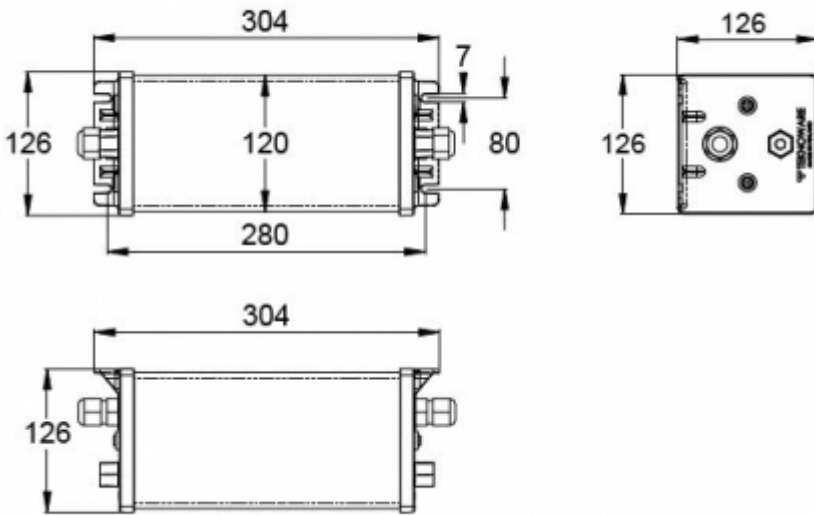
Date: February 24, 2021 | Source:

www.teknoware.com/en/emergency-lighting/robust-86-emergency-light-twt8651wk



Teknoware Oy | P.O. Box 19, 15101 Lahti | Ilmarisentie 8, 15200 Lahti Finland

Tel +358 3 883 020 | VAT-number FI01494751 | teknoware.com | emexit@teknoware.com



We reserve the rights to make modifications without notice.
Copyright © 2021 Teknoware. All rights reserved.
Date: February 24, 2021 | Source:
www.teknoware.com/en/emergency-lighting/robust-86-emergency-light-twt8651wk

Teknoware Oy | P.O. Box 19, 15101 Lahti | Ilmarisentie 8, 15200 Lahti Finland
Tel +358 3 883 020 | VAT-number FI01494751 | teknoware.com | emexit@teknoware.com

