

**GEM2297D SERIES  
COMPUTER-CONTROLLED  
DIRECT-DRIVE, HIGH-SPEED  
ZIGZAG STITCH MACHINE**

**直驱高速电子曲折缝纫机**

**零件样本**

**Parts Book**

为了安全地使用，请您在使用之前一定阅读本使用说明书。另外，请您注意保管本使用说明书，以便随时查阅；零件更改设计时，恕不另行通知。

Read safety instructions carefully and understand them before using. Retain this Operation Instruction for future reference. Excuse for not noticement in advance while the design of the sparepart has to be changed.

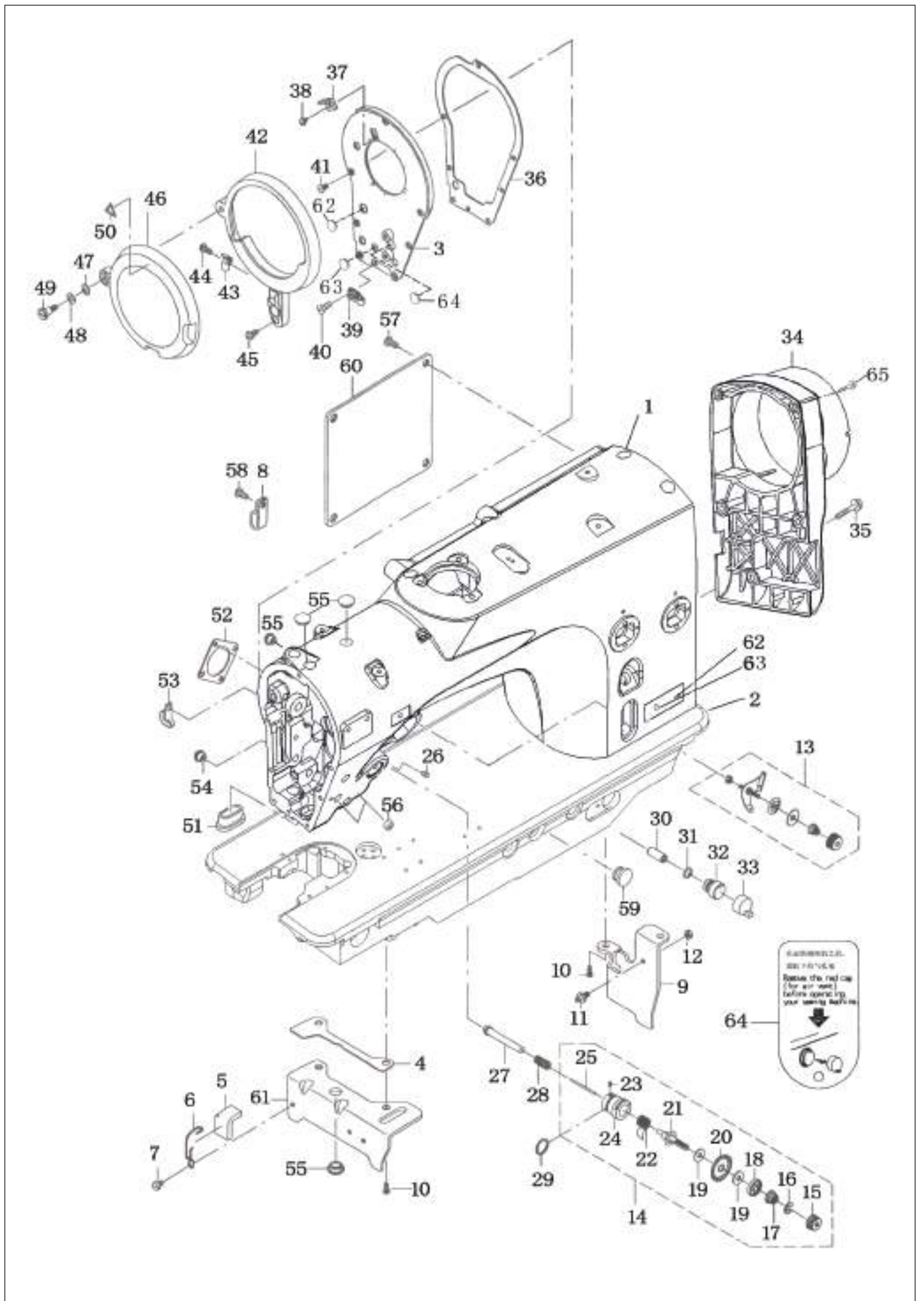
# 零件目录 PARTS CONTENTS

---

1. 机壳、外露部件 .....	1
Frame & Miscellaneous Cover Components	
2. 机头、外装盖板部件 .....	5
Frame & Miscellaneous Cover Components	
3. 上轴、针杆部件 .....	9
Main Shaft & Thread Take-up & Needle Bar Components	
4. 摆针部件 .....	11
Needle Vibrator Components	
5. 压脚提升部件 .....	13
Hand Lifter Components	
6. 送料抬牙部件 .....	15
Feed Mechanism Components	
7. 倒送料部件 .....	17
Feed Mechanism Components	
8. 旋梭驱动轴部件 .....	19
Hook Driving Shaft Components	
9. 下轴部件 .....	21
Lower Shaft Components	
10. 剪线部件 .....	23
Thread Trimmer Mechanism Components	
11. 倒缝、挑线电磁铁部件 .....	25
Automatic Reverse Feed & Thread Feeder Mechanism Components	
12. 松线电磁铁部件 .....	27
Thread Release Solenoid Components	
13. 拨线电磁铁部件 .....	29
Wiper Mechanism Solenoid Components	
14. 润滑系统部件 .....	31
Lubrication Components	
15. 油盘部件 .....	33
Under Cover Components	
16. 线架部件 .....	35
Thread Stand Components	
17. 自动抬压脚装置(可供选择) .....	37
Auto Lifter (on The Side Plate)	
18. 操作盘部件 .....	39
Panel Components	
19. 电气控制箱和开关部件 .....	41
Control Box And Power Switch Components	
20. 附件部件 .....	43
Accessorie Part Components	
21. 2279D-SR专用部件 .....	45
Special Components	
22. 索引 .....	47
Index	

---

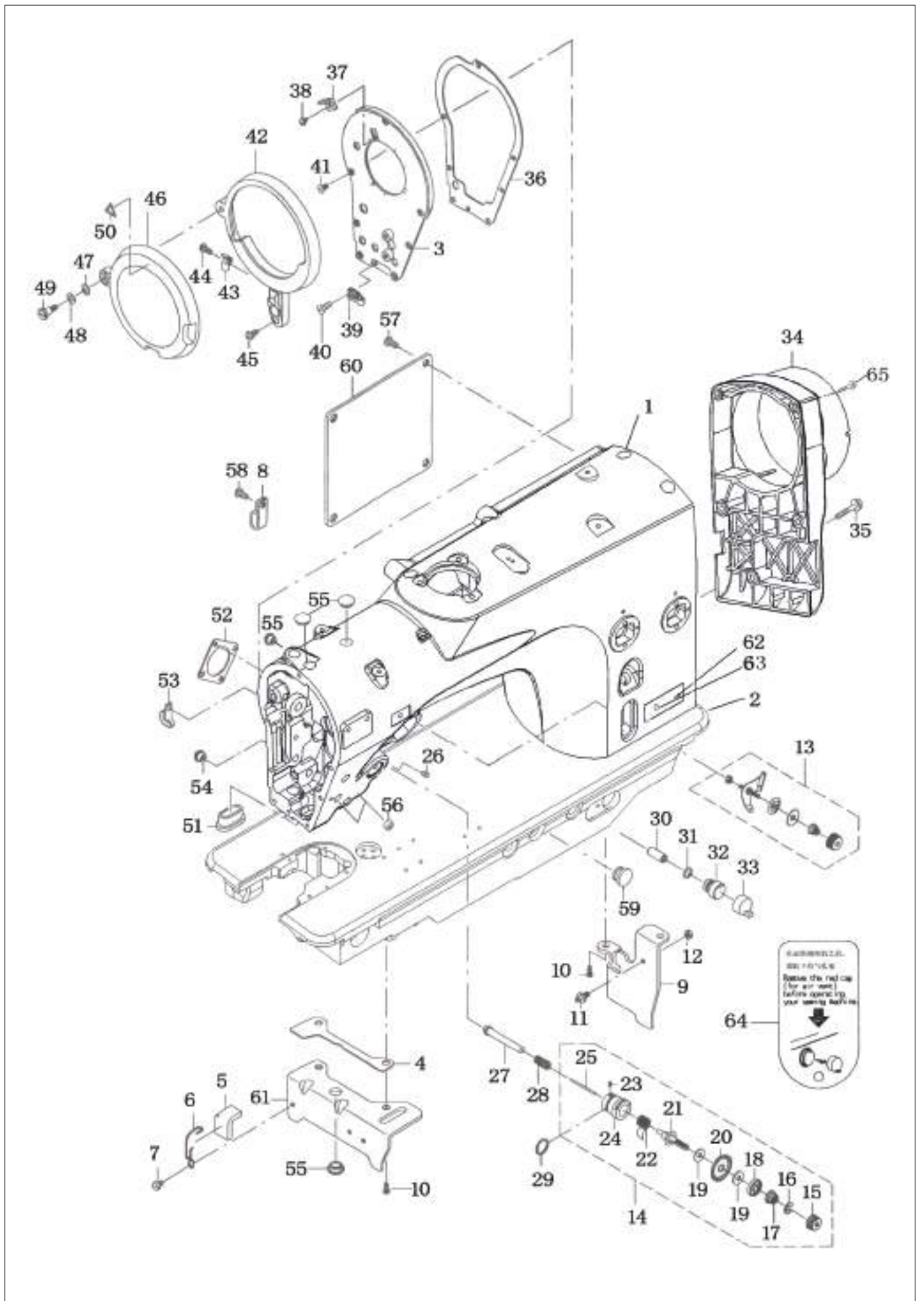
# 1. 机壳、外露部件 Frame & Miscellaneous Cover Components



# 1. 机壳、外露部件 Frame & Miscellaneous Cover Components

序号 REF NO.	图号 PART NO.	名称	DESCRIPTION	数量 NUM
1	427.01-01	机头	Arm ASM.	1
2	427.01-02	底板	Bed ASM.	1
3	423.01-03	面板	Face plate COMPL.	1
4	427.01-03	支撑板垫	Head support a paking	1
5	427.01-04	油毡	Felt	1
6	427.01-05	油毡压簧	Felt presser	1
7	11-70110620-01	螺钉11/64-40 L=6	Screw 11/64-40 L=6	1
8	501.10-09	大固定夹	Cord holder, large	2
9	427.01-07	底板支撑板B	Bed support plate B	1
10	11-40150925-01	螺钉15/64-28 L=9	Screw 15/64-28 L=9	4
11	427.01-08	限位螺钉	Suspension screw	1
12	11-60113020-01	螺母SM11/64-40	Nut 11/64-40	1
13	423.01-24	预张力夹线器组件	Pre-tension controller ASM.	1
14	427.01-09	夹线器组件	Thread tension ASM. A	1
15	427.01-09-01	夹线螺母	Thread tension nut	(1)
16	427.01-09-02	止动片	Rotation stopper	(1)
17	427.01-09-03	夹线弹簧	Tension spring	(1)
18	423.01-44-11	夹线板	Tension disc holder	(1)
19	423.01-44-10	毛毡	Felt	(4)
20	427.01-09-04	夹线盘组件	Thread tension t COMPL.	(1)
21	427.01-09-05	夹线螺钉	Thread tension rod COMPL.	(1)
22	427.01-09-06	挑线簧	Thread take-up spring	(1)
23	423.01-44-02	螺钉9/64-40 L=5.5	Screw 9/64-40 L=5.5	(1)
24	427.01-09-07	夹线座	Thread tension rod base ASM.	(1)
25	427.01-09-08	松线钉	Thread release pin	(1)
26	11-80110710-01	螺钉11/64-40 L=6.5	Screw 11/64-40 L=6.5	1
27	427.01-10	松线辅钉	Thread release auxiliary pin	1
28	427.01-11	松线辅钉弹簧	Thread release pin spring	1
29	31-14018000-09	O型橡皮圈	Rubber ring	1
30	427.01-12	弹簧销8X20	Spring pin 8x20	1
31	31-09018000-09	O型橡皮圈	Rubber ring	1
32	427.01-13	排气栓	Air-discharging	1
33	1277.01-03	放气盖	Air-discharging cap	1
34	427.01-14	带轮罩	Pulley cover	1
35	16-60502522-02	螺栓	Bolt	3
36	423.01-04	面板垫	Face plate packing	1
37	423.01-17	挑线割线刀	Take-up thread cutter	1
38	11-60080420-01	螺钉1/8-44 L=3.8	Screw 1/8-44 L=3.8	1
39	423.01-14	面板线勾	Balance thread guide b	1
40	11-10090720-01	螺钉 9/64-40 L=7.2	Screw 9/64-40 L=7.2	1
41	11-20110850-01	螺钉11/64-40 L=8	Screw 11/64-40 L=8	7
42	423.01-07	平盖底座	Balance cover base	1
43	423.01-09	弹簧片	Balance cover stopper spring	1
44	11-40120625-01	螺钉3/16-28 L=6	Screw 3/16-28 L=6	1
45	11-40110925-01	螺钉11/64-40 L=9	Screw 11/64-40 L=9	2
46	423.01-08	平盖	Balance cover	1
47	21-06510110-01	垫圈6.5X11X1	Washer 6.5x11x1	1
48	23-06405110-09	波形垫圈6.4X11X0.3	Waved washer 6.4x11x0.3	1
49	423.01-29	铰链螺钉	Hinge screw D=6.35 H=7.5	1
50	423.01-10	警告标牌	Attention seal	1

# 1. 机壳、外露部件 Frame & Miscellaneous Cover Components

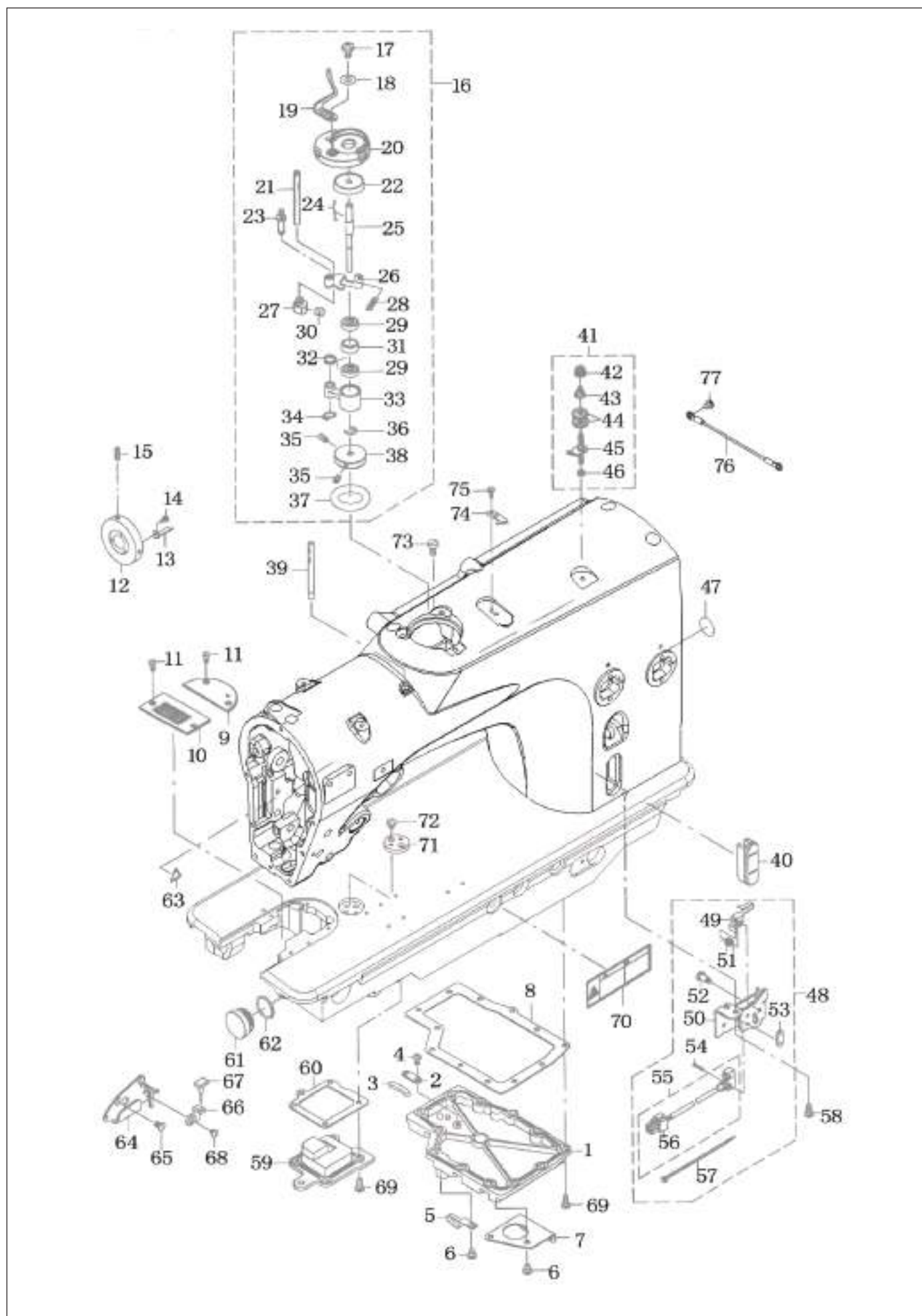


# 1. 机壳、外露部件 Frame & Miscellaneous Cover Components

序号 REF NO.	图号 PART NO.	名称	DESCRIPTION	数量 NUM
51	423.01-47-01	针杆摆动槽挡油板	Arm oil shield	1
52	423.01-06	松线窗盖板垫	Gasket	1
53	427.01-15	固定夹	Cord holder	1
54	423.01-22	橡皮塞	Plug D=8 L=4.5	1
55	501.01-45	橡皮塞	Rubber plug D=12.5 L=4	4
56	423.01-36	橡皮塞	Driving stopper rubber	2
57	11-40121025-01	螺钉3/16-28 L=10	Screw 3/16-28 L=10	3
58	11-40121225-01	螺钉3/16-28 L=12	Screw 3/16-28 L=12	1
59	101.01-11	橡皮塞	Rubber plug	1
60	427.01-16	后盖板	Side plate	1
61	427.01-17	底板支撑板	Bed support plate	1
62	423.01-50	橡皮塞	Rubber plug	1
63	423.01-51	橡皮塞	Rubber plug	1
64	423.01-52	橡皮塞	Rubber plug	1



## 2. 机头、外装盖板部件 Frame & Miscellaneous Cover Components

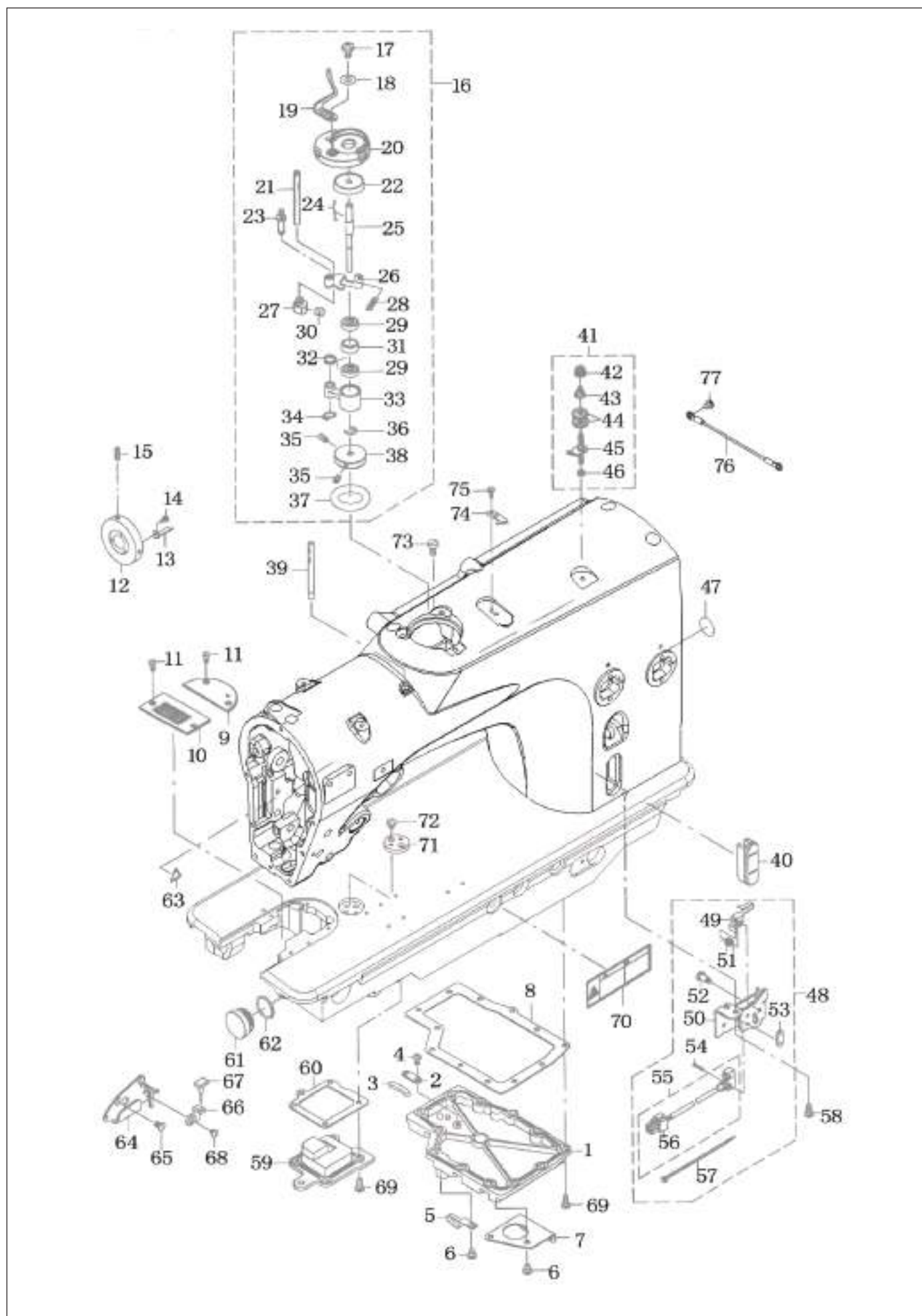


## 2. 机头、外装盖板部件 Frame & Miscellaneous Cover Components

序号 REF NO.	图号 PART NO.	名称	DESCRIPTION	数量 NUM
1	427.02-01	油盘	Gear box (large) cover	1
2	427.02-02	磁铁压板	Magnet washer	1
3	427.02-03	磁铁	Magnet	1
4	427.02-04	自攻螺钉	Tapping screw	1
5	427.02-05	油线夹	Lubricating oil wick stopper	1
6	11-40120625-01	螺钉3/16-28 L=6	Screw 3/16-28 L=6	2
7	427.02-06	油管导板	Pipe guide plate	1
8	427.02-07	油盘垫	Gear box (large) packing	1
9	423.02-03	半月板	Semilunar plate	1
10	423.07-13	针板	Needle plate	1
11	11-10090820-01	螺钉9/64-40 L=7.5	Screw 9/64-40 L=7.5	4
12	427.02-08	绕线驱动轮	Btw driving wheel ASM.	(1)
13	427.02-09	绕线驱动轮阻片	Bobbin driving wheel blade	(3)
14	12-40300625-01	螺钉M3 L=6	Screw M3 L=6	3
15	11-80621620-01	螺钉 3/16-32 L=16	Screw 3/16-32 L=16	2
16	134.02-01	绕线器组件	Bobbin winder unit	1
17	12-40400625-01	螺钉	Screw	(3)
18	21-04308090-01	垫圈 4.3X8X0.9	Washer 4.5x10x0.8	(1)
19	427.02-10-01	绕线控制板手	Btw_lever	(1)
20	427.02-10-02	绕线器底座	Btw_base	(1)
21	427.02-10-03	扳手轴	Btw_lever_shaft	(1)
22	427.02-10-04	隔垫	Btw_spacer	(1)
23	427.02-10-05	凸轮轴	Btw_base_shaft	(1)
24	423.03-01-06	梭心压簧	Boobin_spring	(1)
25	427.02-10-07	绕线轴	Btw_shaft	(1)
26	427.02-10-08	杠杆	Rbtw_cam_plate	(1)
27	427.02-10-09	绕线凸轮控制杆	Btw_cam_leve	(1)
28	427.02-10-10	拉簧	Btw_spring	(1)
29	427.02-10-11	轴承	Btw_bearing	(2)
30	12-80500512-01	螺钉M5 L=5	Screw M5 L=5	(1)
31	427.02-10-12	绕线轴承隔垫	Btw_bearing_spacer	(1)
32	427.02-10-13	扭杆弹簧	Btw_torsion_spring	(1)
33	427.02-10-14	绕线轴曲柄	Btw_shaft_base	(1)
34	423.03-01-12	轴用弹性挡圈	Retaining ring	(1)
35	12-80401012-01	螺钉 M4 L=10	Screw M4 L=10	(2)
36	24-08000000-08	卡簧	E-ring 4	(1)
37	427.02-10-15	橡皮轮	Btw_wheel_rubber	(1)
38	427.02-10-16	绕线轮	Btw_wheel	(1)
39	423.01-13	导线柱	Thread guide bar	1
40	1228.08-11	视油窗	Oil sight window	1
41	423.03-07	绕线器夹线器组件	Bobbin thread tension ASM.	(1)
42	423.03-07-01	夹线螺母	Thread tension nut	(1)
43	423.03-07-02	夹线弹簧	Thread tension spring	(1)
44	423.03-07-03	夹线板	Bobbin thread tension disc	(2)
45	423.03-07-04	夹线柱	Bobbin thread tension rod ASM.	(1)
46	423.03-07-05	螺母NUT 11/64-40	Nut 11/64-40	(1)
47	423.02-09	接地标志	Ground mark	1
48	427.02-11	安全开关组件	Safety switch ASM.	1
49	427.02-11-01	安全开关	Safety switch ASM.	(1)
50	427.02-11-02	安全开关座	Safety switch base	(1)



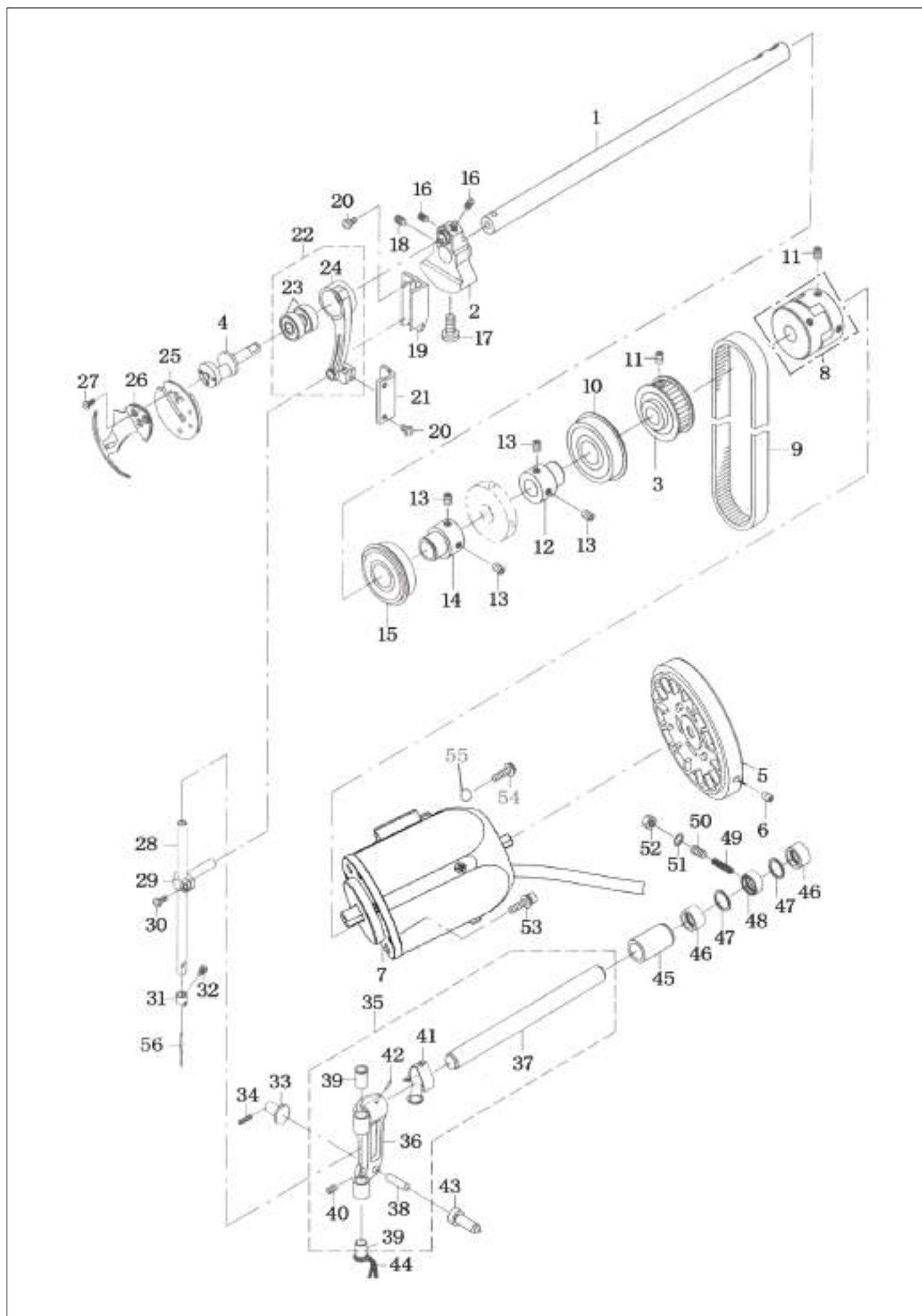
## 2. 机头、外装盖板部件 Frame & Miscellaneous Cover Components



## 2. 机头、外装盖板部件 Frame & Miscellaneous Cover Components

序号 REF NO.	图号 PART NO.	名称	DESCRIPTION	数量 NUM
51	427.02-11-03	开关弹簧	Safety switch spring	(1)
52	427.02-11-04	安全开关轴	Safety switch ASM shaft	(1)
53	427.02-11-05	安全开关座垫板	Safety switch stopper plate	(1)
54	12-40201221-02	螺钉 M2 L=12	Screw M2 L=12	(2)
55	427.02-11-07	安全开关线组件	Safety switch cord ASM.	(1)
56	427.02-11-08	6P电线接头	Housing 6p	(1)
57	427.02-11-09	电线扎带	Cable band	(1)
58	11-40120925-01	螺钉 3/16-28 L=9	Screw 3/16-28 L=9	2
59	427.02-12	小齿轮箱盖	Gear box (small) cover	1
60	427.02-13	小齿轮箱垫	Gear box (small) packing	1
61	427.02-14	小齿轮箱孔塞	Gear box (small) cap	1
62	31-20024000-09	O型圈	Rubber ring	1
63	423.01-10	警告标牌	Attention seal	1
64	424.21-01	导线板A	Balance thread buide a	1
65	11-20110850-01	螺钉11/64-40 L=8	Screw 11/64-40 L=8	2
66	423.01-11	挑线簧防护架	Spring guard	1
67	423.01-21	限位橡皮	Rubber stopper	1
68	11-70090420-01	螺钉9/64-40 L=3.5	Screw 9/64-40 L=3.5	1
69	11-40121025-01	螺钉3/16-28 L=10	Screw 3/16-28 L=10	16
70	427.02-15	安全标签	Safety label 12	1
71	101.01-17	安装板	Ruler stop seat	1
72	11-00110620-01	螺钉11/64-40 L=6	Screw 11/64-40 L=6	1
73	11-70121020-01	螺钉 3/16-28 L=10	Screw 3/16-28 L=10	3
74	134.02-03	割线刀	Thread cutter	1
75	11-00090620-01	螺钉	Screw 9/64-40 L=6	2
76	427.02-16	地线组件	Ground wire a ASM.	1
77	11-40120625-01	螺钉3/16-28 L=6	Screw 3/16-28 L=6	1

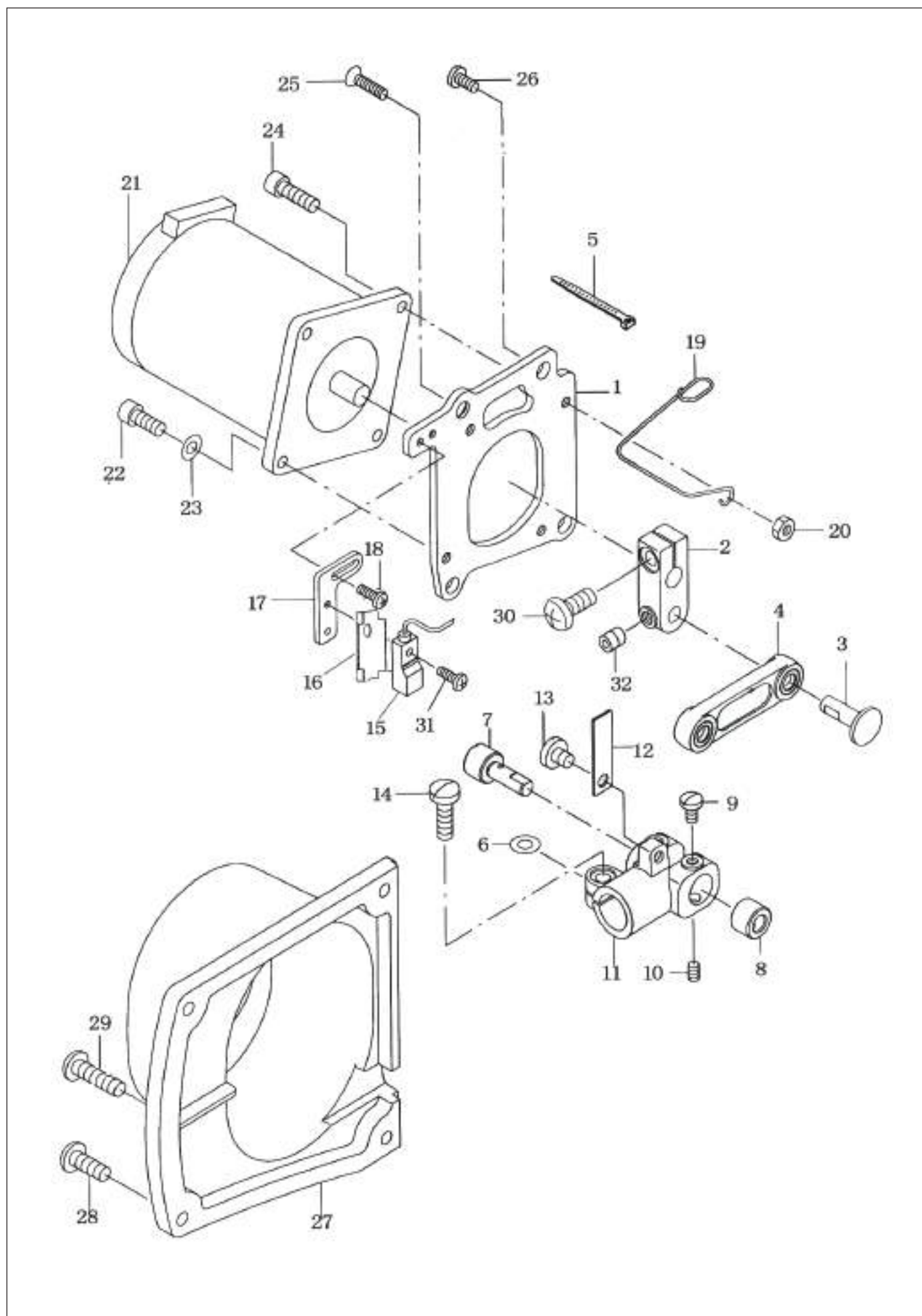
### 3. 上轴、针杆部件 Main Shaft & Thread Take-up & Needle Abr Components



### 3. 上轴、针杆部件 Main Shaft & Thread Take-up & Needle Abr Components

序号 REF NO.	图号 PART NO.	名称	DESCRIPTION	数量 NUM
1	427.03-01	主轴	Upper shaft	1
2	427.03-02	针杆曲柄	Counter weight	1
3	427.03-03	主轴同步轮组件	Upper shaft sprocket	1
4	427.03-04	挑线曲柄	Needle rod crank	1
5	427.03-05	手轮	Hand wheel ASM.	1
6	12-80501012-01	螺钉 M=5 L=10	Screw M=5 L=10	2
7	427.03-06	主电机	Ac servo motor	1
8	134.03-04	联轴器组件	Coupling	1
9	423.04-14	同步带	Timing belt	1
10	134.03-19	中轴承NTN 6304Z	Bearing ntn 6304z	1
11	12-80600612-01	螺钉M=6 L=6	Screw M=6 L=8	6
12	134.03-03	主轴轴承套(中)	Main shaft bearing support	1
13	12-80600612-01	螺钉M=6 L=6	Screw M=6 L=8	4
14	134.03-03	轴承挡圈	Bearing holder	1
15	134.03-18	前轴承 NTN 6204LB	Bearing ntn 6204lb	1
16	11-80160610-01	螺钉1/4-40 L=6	Screw 1/4-40 L=6	2
17	11-60181630-01	螺钉9/32-28 L=16	Screw 9/32-28 L=16	1
18	11-80180710-01	螺钉9/32-28 L=7	Screw 9/32-28 L=7	1
19	427.03-13	针杆连接柱导轨	Needle rod holder guide	1
20	11-600110820-01	螺钉 11/64-40 L=8.5	Screw 11/64-40 L=8.5	4
21	427.03-14	曲柄连杆导轨	Needle rod crank rod guide	1
22	427.03-15	曲柄连杆组件	Needle rod crank rod ASM.	1
23	427.03-15-01	轴承TNT 608LB	Bearing	(2)
24	427.03-15-02	曲柄连杆	Needle rod crank rod	(1)
25	423.04-13	挑线平衡盘组件	Take-up counterweight ASM.	1
26	423.04-20	旋转挑线杆	Balance v	1
27	11-10090920-01	螺钉9/64-40 L=8.6	Screw 9/64-40 L=8.6	3
28	427.03-16	针杆	Needle bar	1
29	423.04-35	针杆连接柱	Needle bar connection	1
30	11-60090920-01	螺钉 9/64-40 L=8.5	Screw 9/64-40 L=8.5	1
31	423.04-06	针杆过线勾	Thread rack, right	1
32	11-60080620-01	螺钉1/8-44 L=6	Screw 1/8-44 L=6	1
33	427.03-17	导向销B	Support base guide pin B	1
34	11-80151210-01	螺钉15/64-28 L=12	Screw 15/64-28 L=12	1
35	427.03-18	针杆摆动组件	Needle rod support base ASM.	1
36	427.03-18-01	针杆摆动架	Needle rod support base	(1)
37	427.03-18-02	针杆摆动架轴	Needle rod support base shaft	(1)
38	427.03-18-03	针杆摆动架导向销	Support base guide shaft	(1)
39	427.03-18-04	针杆套	Needle rod metal	(2)
40	11-80120712-01	螺钉3/16-28 L=7	Screw 3/16-28 L=7	(1)
41	427.03-18-05	针杆摆动架毡	Needle rod support base felt	(1)
42	427.03-18-06	弹簧销	Spring pin	(1)
43	427.03-19	导向销A	Support base guide pin A	1
44	43-10250000-00	油线	Oil wick	0.15
45	427.03-21	针杆摆动架轴前套	Support base shaft front metal	1
46	427.03-22	针杆摆动架轴后套	Support base shaft rear metal	2
47	427.03-23	轴用挡圈	Thrust bush	2
48	427.03-24	调整套	Metal b	1
49	427.03-25	阻力弹簧	Spring	1
50	12-80601222-01	螺钉M=6 L=12	Screw M=6 L=12	1
51	21-07205100-01	垫圈	Plain washer	1
52	14-60603210-02	螺母M6	Nut M6	1
53	16-60502522-02	螺栓	Bolt	3
54	12-90501723-02	螺栓	Bolt	1
55	22-05000000-08	弹簧垫圈	Washer	1
56	427.03-26	机针DPX5 # 10	Needle DPX5 #10	1

#### 4. 摆针部件 Needle Vibrator Components

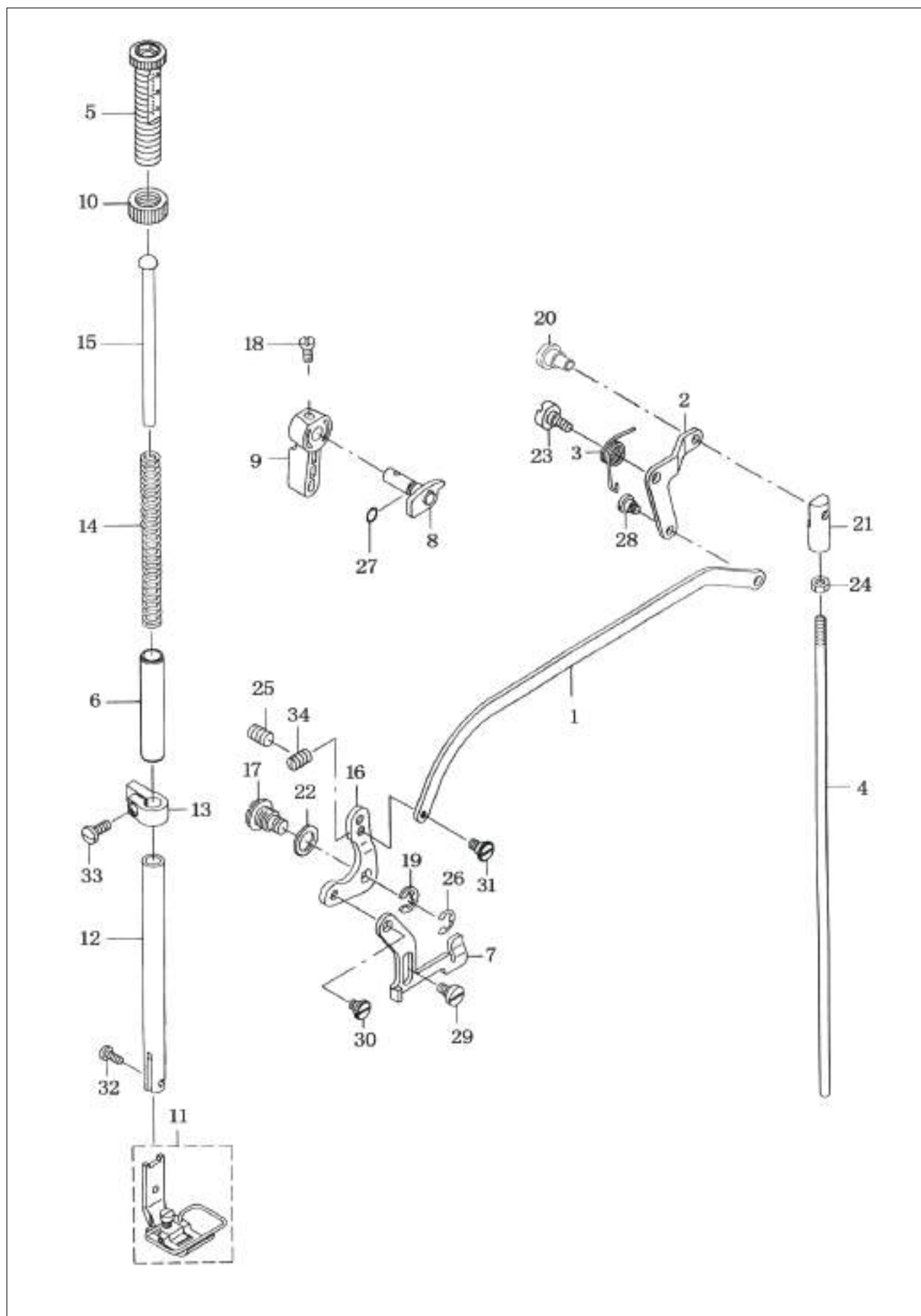


#### 4. 摆针部件 Needle Vibrator Components

序号 REF NO.	图号 PART NO.	名称	DESCRIPTION	数量 NUM
1	427.04-01	摆针马达安装底板	Needle vibrator unit basis	1
2	427.04-02	马达连接器	Motor link	1
3	427.04-03	联接轴A	Junction shaft A	1
4	427.04-04	联接杠杆组件	Shaft connection link	1
5	427.04-05	电线扎带	Cable band	2
6	21-05205080-01	垫圈5.2X9.5X0.6	Washer 5.2x9.5x0.6	1
7	427.04-06	联接轴A	Junction shaft A	1
8	427.04-07	联接轴套	Junction shaft collar	1
9	11-00110620-01	螺钉11/64-40 L=6.5	Screw 11/64-40 L=6.5	2
10	11-80090610-01	螺钉9/64-40 L=5.5	Screw 9/64-40 L=5.5	1
11	427.04-08	摆动架联接座	Support base shaft connection	1
12	427.04-09	传感器接板	Sensor slit	1
13	11-70110520-01	螺钉11/64-40 L=5	Screw 11/64-40 L=5	1
14	11-40121225-01	螺钉3/16-28 L=12	Screw 3/16-28 L=14	1
15	427.04-10	传感器	Zero sensor a ASM.	1
16	427.04-11	传感器垫片		1
17	427.04-12	传感器安装板	Sensor fitting plate	1
18	12-40300625-01	螺钉	Screw	2
19	427.04-13	线夹	Cord clamp	1
20	14-60403020-02	螺母M4X0.7	Nut M4x0.7	1
21	427.04-14	摆针马达	Pulse motor	1
22	12-60401022-01	螺钉M4 L=10	Screw M4 L=10	3
23	21-04212090-02	垫圈	Washer	2
24	12-60401422-01	螺钉M4 L=14	Screw M4 L=14	1
25	11-10151320-01	螺钉	Screw	1
26	11-60150720-01	螺钉15/64-28 L=7	Screw 15/64-28 L=7	3
27	427.04-15	摆针盖板	Needle vibrator unit cover	1
28	11-40121225-01	螺钉3/16-28 L=12	Screw 3/16-28 L=12	3
29	11-40121625-01	电线夹长螺钉	Screw 3/16 L=16	1
30	12-40501125-01	螺钉M5 L=11.5	Screw M5 L=11.5	1
31	12-40250821-02	螺钉M2.5 L=8	Screw M2.6 L=8	1
32	12-80500612-01	螺钉M5 L=6	Screw M5 L=6	1



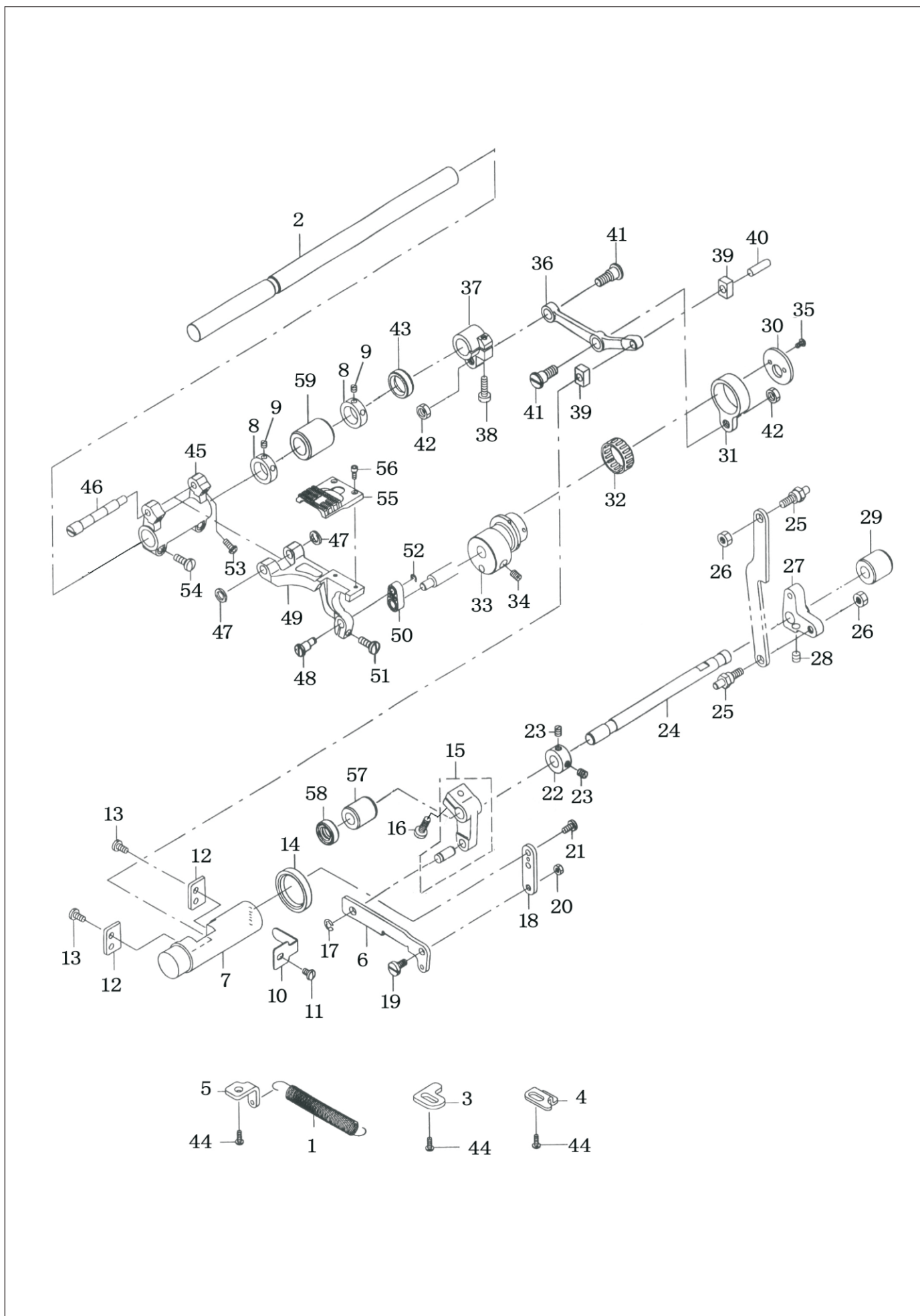
5. 压脚提升部件 Hand Lifter Components



## 5. 压脚提升部件 Hand Lifter Components

序号 REF NO.	图号 PART NO.	名称	DESCRIPTION	数量 NUM
1	427.05-01	抬压脚拉杆	Knee lifting side rod link	1
2	427.05-02	抬压脚后杠杆	Knee lifting link	1
3	427.05-03	抬压脚后杠杆弹簧	Knee lifting link spring	1
4	427.05-04	抬压脚顶杆	Knee lifting junction rod	1
5	134.04-03	调压螺钉	Presser spring regulator	1
6	427.05-05	压杆下套	Bushing	1
7	423.08-33	压脚升降板	Lifting plate	1
8	423.08-32	抬压脚凸轮组件	Presser lifter cam COMPL.	1
9	423.08-14	压脚扳手	Hand lifter	1
10	101.04-02	调压螺母	Presser spring regulator nut	1
11	424.21-03	压脚组件	Presser foot ASM.	1
12	423.08-08	压杆	Presser bar	1
13	423.08-09	压杆导架	Presser bar holder	1
14	423.08-12	调压弹簧	Presser spring T	1
15	423.08-11	压脚导柱	Presser guide bar	1
16	423.08-02	抬压脚前杠杆	Lifting lever link	1
17	423.08-17	铰链销	Hinge pin	1
18	11-30091020-01	压脚扳手固定螺钉	Screw	1
19	423.08-29	卡簧	Snap ring	1
20	1211.04-07	抬压脚后杠杆螺钉	Connecting rod hinge screw	1
21	423.08-06	调节螺柱	Swivel	1
22	423.08-16	铰链螺钉密封圈	Lifting lever gasket	1
23	423.08-20	抬压脚后杠杆铰链螺钉	Knee lifting link step-screw	1
24	13-60623020-01	螺母3/16-32	Nut 3/16-32	1
25	11-80150510-01	锁紧螺钉15/64-28 L=4.7	Screw 15/64-28 L=4.7	1
26	24-06000000-08	卡簧	E-ring 6	1
27	31-03618000-09	O型橡皮圈	Rubber ring	1
28	427.05-06	铰链螺钉D=6.0 H=3.4	Hinge screw D=6.0 H=3.4	1
29	423.08-27	铰链螺钉D=6.35 H=2.7	Hinge screw D=6.35 H=2.7	1
30	423.08-23	铰链螺钉D=6.35 H=3	Hinge screw D=6.35 H=3	1
31	427.05-07	铰链螺钉	Hinge screw	1
32	11-60090920-01	螺钉 9/64-40 L=8.5	Screw 9/64-40 L=8.5	1
33	11-60111120-01	螺钉 11/64-40 L=10.5	Screw 11/64-40 L=10.5	1
34	11-80151750-01	压脚浮动螺钉15/64-28 L=17	Screw 15/64-28 L=17	1

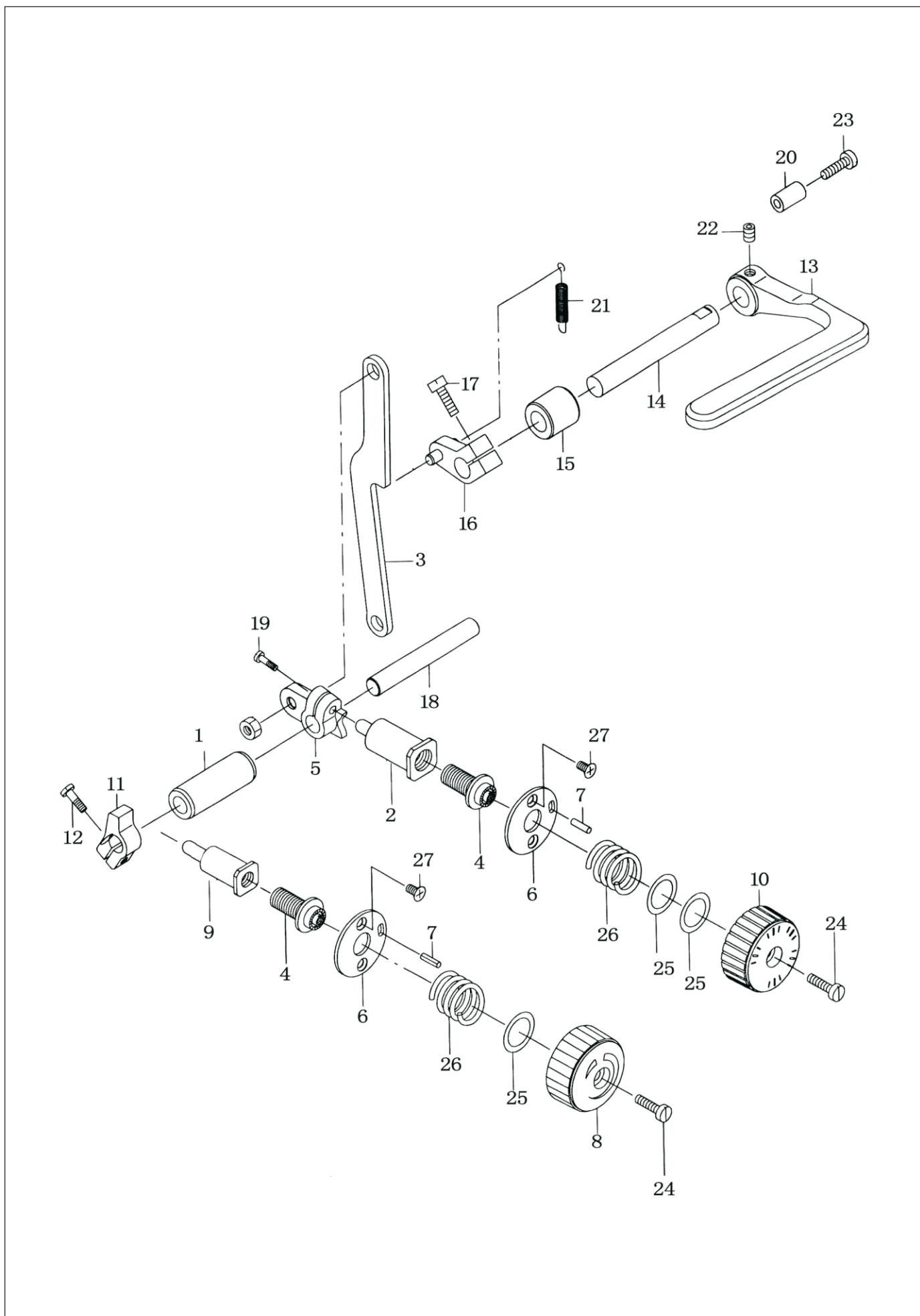
## 6. 送料抬牙部件 Feed Mechanism Components



## 6. 送料抬牙部件 Feed Mechanism Components

序号 REF NO.	图号 PART NO.	名称	DESCRIPTION	数量 NUM
1	427.06-01	拉簧	Feed adjusting spring	1
2	427.06-02	送料轴	Horizontal feed shaft	1
3	427.06-03	送料限位板	Regulate plate	1
4	427.06-04	送料限位板	Regulate plate	1
5	427.06-05	拉力弹簧架	Feed spring rack	1
6	427.06-06	倒送料调节杆	Feed reversal link	1
7	427.06-07	送料调节器	Feed adjusting A	1
8	1197.05-11	送布轴挡圈	Thrust collar D=14.72 W=7	2
9	11-80110412-01	挡圈螺钉	Screw 11/64-40 L=4	4
10	427.06-09	送料调节器限位板	Feed adjusting presser	1
11	423.10-30	螺钉11/64-40 L=7	Screw 11/64-40 L=7	1
12	427.06-10	垫板	Plate A	2
13	11-600110820-01	螺钉11/64-40 L=8.5	Screw 11/64-40 L=8.5	4
14	32-24060350-09	送料调节器油封	Feed adjusting oil seal	1
15	427.06-11	送料可变曲柄组件(左)	Feed change arm a ASM.	1
16	11-60121420-01	螺钉3/16-28 L=14	Screw 3/16-28 L=14	1
17	24-05000000-08	卡簧5	E-ring	1
18	427.06-12	送料调节板	Feed adjusting arm	1
19	423.09-37	铰链螺钉D=6 H=3.2	Hinge screw D=6 H=3.2	1
20	13-60123020-01	螺母3/16-28	Nut 3/16-28	1
21	11-60110820-01	螺钉11/64-40 L=8.5	Screw 11/64-40 L=8.5	2
22	427.06-13	挡圈	Thrust collar	1
23	11-80110412-01	螺钉 11/64-40 L=4.5	Screw 11/64-40 L=4.5	2
24	427.06-14	送料可变轴	Feed change shaft	1
25	134.05-16	送料可变轴杠杆销	Feed changing shaft arm B pin	2
26	13-60153020-01	螺母15/64-28	Nut 15/64-28	2
27	427.06-16	送料可变曲柄(右)	Feed change arm B	1
28	11-80160612-01	螺钉1/4-40 L=6	Screw 1/4-40 L=6	1
29	427.06-17	送料可变轴后套	Metal, B	1
30	427.06-18	送料偏心凸轮盖板	Horizontal feed cam cover	1
31	423.10-36	送布凸轮连杆	Horizontal feed rod	1
32	304.08-08	滚针轴承	Needle bearing	1
33	427.06-19	送料偏心凸轮	Horizontal feed cam	1
34	11-80160810-01	螺钉1/4-40 L=8	Screw 1/4-40 L=8	2
35	11-60080620-01	螺钉1/8-44 L=6	Screw 1/8-44 L=6	2
36	427.06-20	送料偏心凸轮连杆	Horizontal feed junction rod	1
37	427.06-21	抬牙轴曲柄	Feed rocker shaft crank	1
38	11-60121620-01	抬牙轴曲柄螺钉	Screw. 3/16-28	
39	423.10-52	送料滑块	Feed driving rocker block	2
40	423.10-21	送料滑块销	Pin	1
41	423.10-26	铰链螺钉D=9 H=7	Hinge screw D=9 H=7	2
42	13-60184020-01	螺母9/32-28	Nut 9/32-28	2
43	32-14170220-09	油封	Oil seal	1
44	11-40150925-01	螺钉15/64-28 L=9	Screw 15/64-28 L=9	3
45	423.10-11	牙架曲柄	Feed rocker	1
46	423.10-09	牙架销	Feed base shaft	1
47	21-07310122-03	垫片	Spacer	2
48	423.10-12	抬牙连杆铰链轴	Vertical feed link shaft D	1
49	423.10-03	牙架	Feed base	1
50	427.06-22	抬牙连杆组件	Vertical feed link	1
51	11-60121420-01	螺钉3/16-28 L=14	Screw 3/16-28 L=14	1
52	24-03000000-08	卡簧3	E-ring 3	1
53	11-40120925-01	螺钉3/16-28 L=9	Screw 3/16-28 L=9	2
54	11-60121420-01	螺钉3/16-28 L=14	Screw 3/16-28 L=14	2
55	423.07-17	送料牙	Feed dog	1
56	11-60580722-01	螺钉1/8-40 L=7	Screw 1/8-40 L=7	2
57	427.06-23	送料可变轴前套	Metal, A	1
58	32-09470190-09	送料可变轴油封	Feed changing shaft oil seal	1
59	427.06-24	送料轴套	Feed rocker shaft metal	1

## 7. 倒送料部件 Feed Mechanism Components

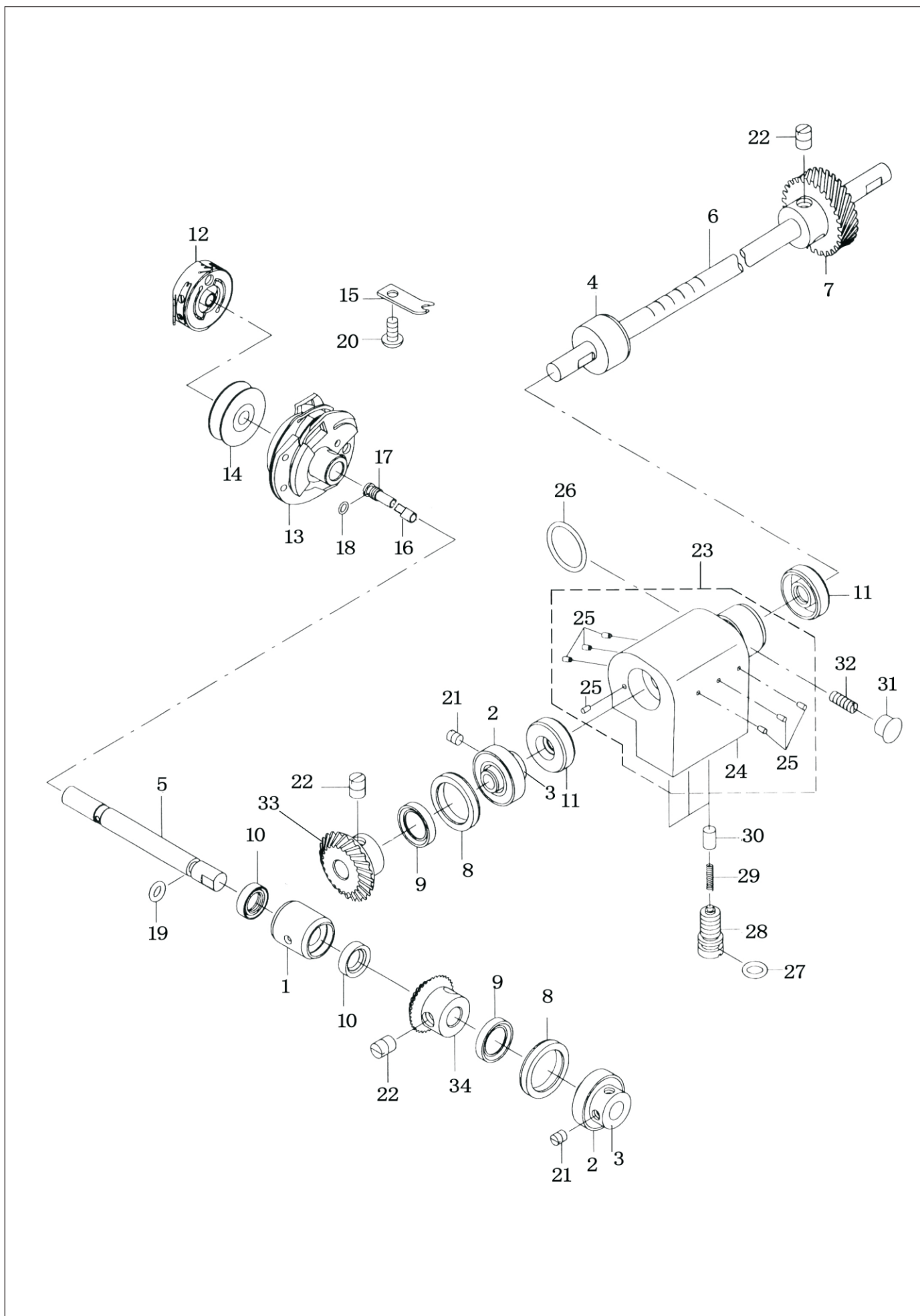


## 7. 倒送料部件 Feed Mechanism Components

序号 REF NO.	图号 PART NO.	名称	DESCRIPTION	数量 NUM
1	427.07-01	送料调节轴轴套	Feed adjusting shaft metal	1
2	427.07-02	调节螺杆套	Feed adjusting shaft	1
3	427.07-03	送料调节连杆	Feed adjusting rod	1
4	427.07-04	调节螺杆	Feed adjusting screw	2
5	427.07-05	送料调节座	Feed blind controller	1
6	427.07-06	调节螺杆底板	Feed adjusting base	2
7	427.07-07	弹簧销3X12	Spring pin 3x12	2
8	427.07-08	微调控制标盘	Condens dial	1
9	427.07-09	微调螺杆套	Condens adjusting shaft	1
10	427.07-14	针距标盘	Feed dial	1
11	427.07-10	微调止动器	Condens stopper	1
12	11-60121420-01	螺钉3/16-28 L=14	Screw 3/16-28 L=14	1
13	134.05-21	倒送料扳手	Feed lever	1
14	134.05-22	倒送料轴	Feed lever shaft	1
15	134.05-23	倒送料轴轴套	Feed lever shaft metal	1
16	134.05-24	倒送料轴曲柄	Feed lever arm ASM.	1
17	11-60121420-01	螺钉3/16-28 L=14	Screw 3/16-28 L=14	1
18	427.07-11	送料调节轴	Feed adjusting shaft	1
19	11-60121420-01	螺钉3/16-28 L=14	Screw 3/16-28 L=14	1
20	109.01-18	倒送料扳手限位器	Reverse feed lever stopper	1
21	427.07-12	弹簧	Spring	1
22	11-80150810-01	螺钉15/64 L=8	Screw 15/64 L=8	2
23	11-60121820-01	螺钉3/16-28 L=18	Screw 3/16-28 L=18	1
24	11-70121820-01	螺钉3/16-28 L=18	Screw 3/16-28 L=18	2
25	21-16515230-01	垫圈	Washer	3
26	427.07-13	复位弹簧	Feed dial spring	2
27	11-10110821-01	螺钉11/64-40 L=8.3	Screw 11/64-40 L=8.3	4



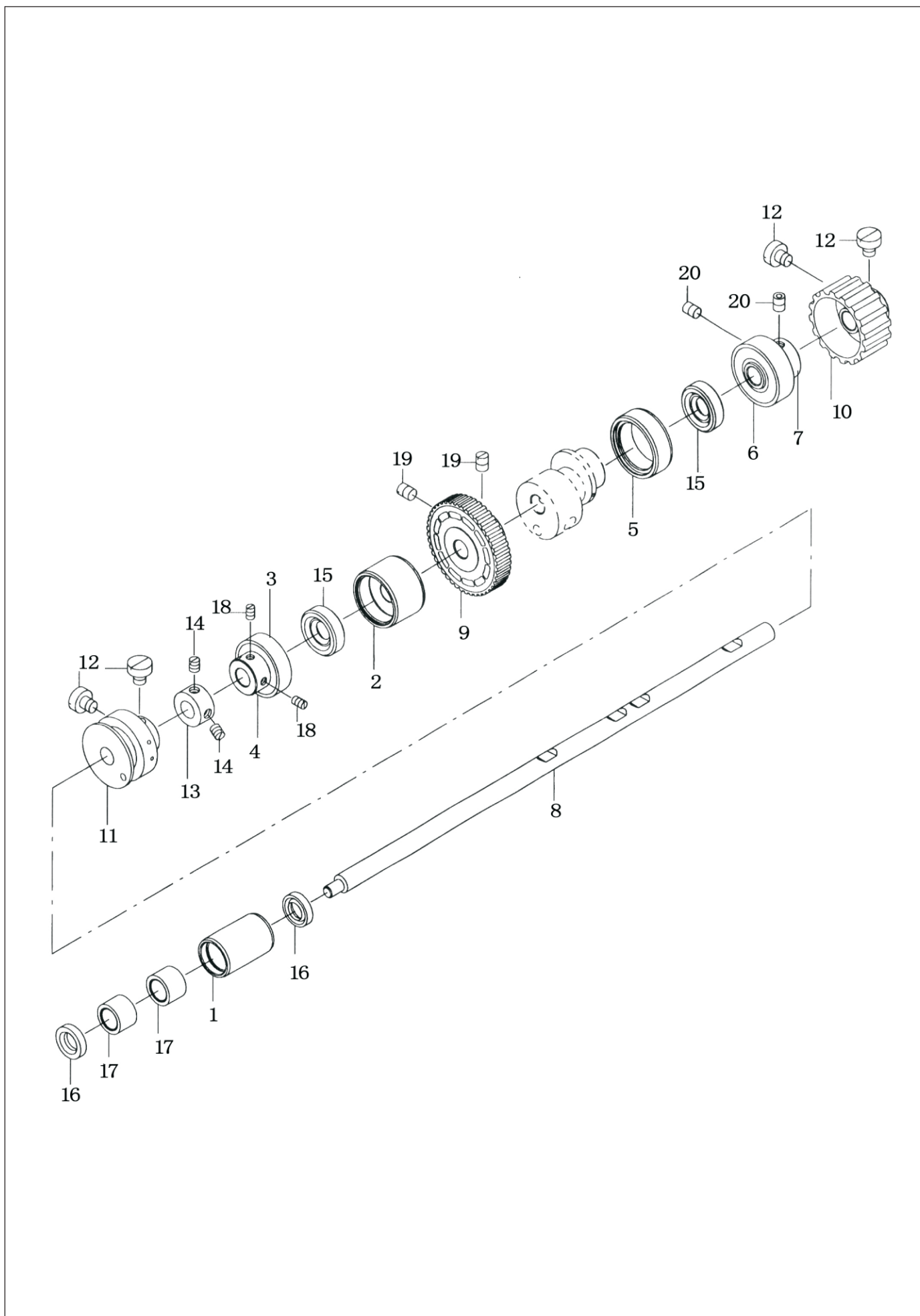
## 8. 旋梭驱动轴部件 Hook Driving Shaft Components



## 8. 旋梭驱动轴部件 Hook Driving Shaft Components

序号 REF NO.	图号 PART NO.	名称	DESCRIPTION	数量 NUM
1	427.08-01	旋梭轴前套	Hook shaft front metal	1
2	427.08-02	轴承6901Z	Hook shaft bearing ASM.	2
3	427.08-03	轴承套	Hook shaft bearing bushing	2
4	427.08-04	旋梭驱动轴后套	Hook driving shaft rear metal	1
5	427.08-05	旋梭轴	Hook shaft	1
6	427.08-06	旋梭驱动轴	Hook driving shaft	1
7	427.08-07	驱动齿轮	Hook driving gear (small)	1
8	427.08-08	油封挡圈	Oil seal collar	2
9	32-12035180-09	油封	Hook gear box oil seal	2
10	32-08040140-09	旋梭轴油封	Hook shaft oil seal	2
11	32-08070180-09	旋梭驱动轴油封	Hook driving shaft oil seal	2
12	427.08-09	梭芯套组件	Bobbin case ASM.	1
13	427.08-10	旋梭组件	Hook COMPL. V	1
14	423.11-09	梭心	Bobbin S	1
15	423.11-20	旋梭定位勾	Inner hook stopper	1
16	101.05-09	下轴限油芯	Oil wick	1
17	423.11-31	油量调节销	Set screw	1
18	31-03508000-09	O型橡皮圈	Rubber ring	1
19	31-04818000-09	O型橡皮圈	Rubber ring	1
20	11-40110925-01	螺钉11/64-40 L=9	Screw 11/64-40 L=9	1
21	11-80110510-01	螺钉11/64-40 L=4.5	Screw 11/64-40 L=4.5	4
22	11-80160810-01	螺钉1/4-40 L=8	Screw 1/4-40 L=8	6
23	427.08-11	柱塞泵组件	Rump metal ASM.	1
24	427.08-11-01	柱塞泵	Pump metal	(1)
25	427.08-11-02	铜塞	Needle cooler plug cap	(7)
26	31-17518000-09	O型橡皮圈	Rubber ring	1
27	31-06718000-09	O型橡皮圈	Rubber ring	3
28	427.08-12	柱塞螺钉	Plunger screw	3
29	427.08-13	柱塞弹簧	Plunger spring	3
30	427.08-14	柱塞	Plunger	3
31	101.01-12	橡皮塞	Rubber plug	1
32	11-80111250-01	螺钉11/64-40 L=12.0	Screw 11/64-40 L=12.0	1
33	423.11-33	旋梭驱动伞齿轮	Gear ASM. Large	1
34	423.11-08	旋梭伞齿轮	Mitre gear small	1

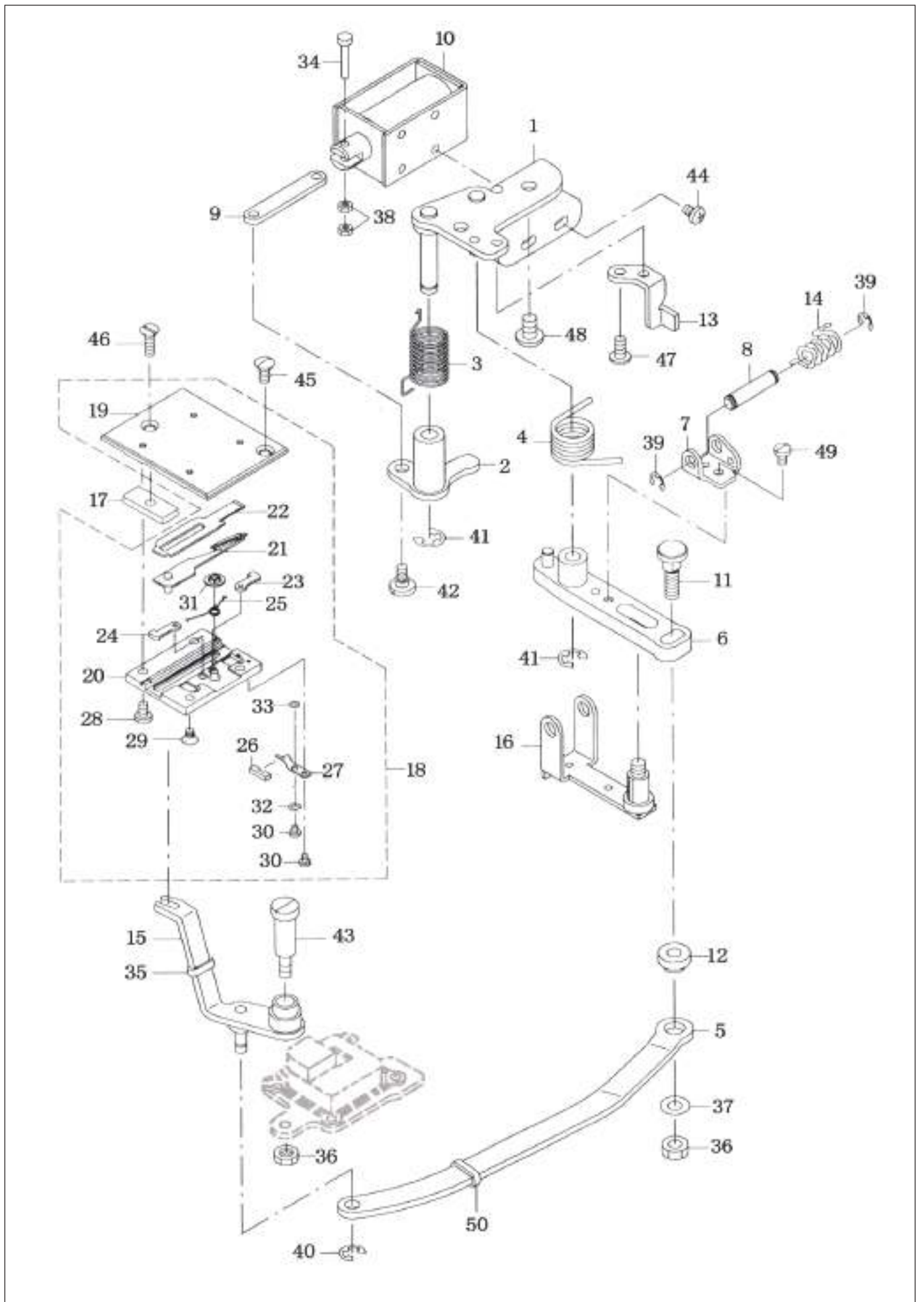
## 9. 下轴部件 Lower Shaft Components



## 9. 下轴部件 Lower Shaft Components

序号 REF NO.	图号 PART NO.	名称	DESCRIPTION	数量 NUM
1	427.09-01	下轴前套	Lower shaft front bearing bus	1
2	427.09-02	下轴中套	Lower shaft inner metal	1
3	427.09-03	下轴中轴承NSK 6002Z	Lower shaft inner bearing	1
4	427.09-04	中轴承套	Inner bearing bushing	1
5	427.09-05	下轴后套	Lower shaft rear bush	1
6	427.09-06	下轴后轴承NSK 6202Z	Lower shaft rear bearing	1
7	427.09-07	后轴承套	Rear bearing bushing	1
8	427.09-08	下轴	Lower shaft	1
9	427.09-09	旋梭驱动大齿轮	Hook driving gear (large)	1
10	427.09-10	下轴同步轮	Lower shaft sprocket	1
11	427.09-11	剪线凸轮	Thread trimmer cam	1
12	11-00160720-01	螺钉1/4-40 L=7	Screw 1/4-40 L=7	4
13	427.06-13	挡圈	Thrust collar ASM.	1
14	11-80110510-01	挡圈螺钉		2
15	32-10080260-09	油封	Oil seal	2
16	32-09740180-09	油封	Oil seal	2
17	427.09-13	滚针轴承	Needle bearing	2
18	11-80110710-01	螺钉11/64-40 L=6.5	Screw 11/64-40 L=6.5	2
19	11-80160810-01	螺钉1/4-40 L=8	Screw 1/4-40 L=8	2
20	12-80600812-01	螺钉M6 L=8	Screw M6 L=8	2

# 10. 剪线部件 Thread Trimmer Mechanism Components

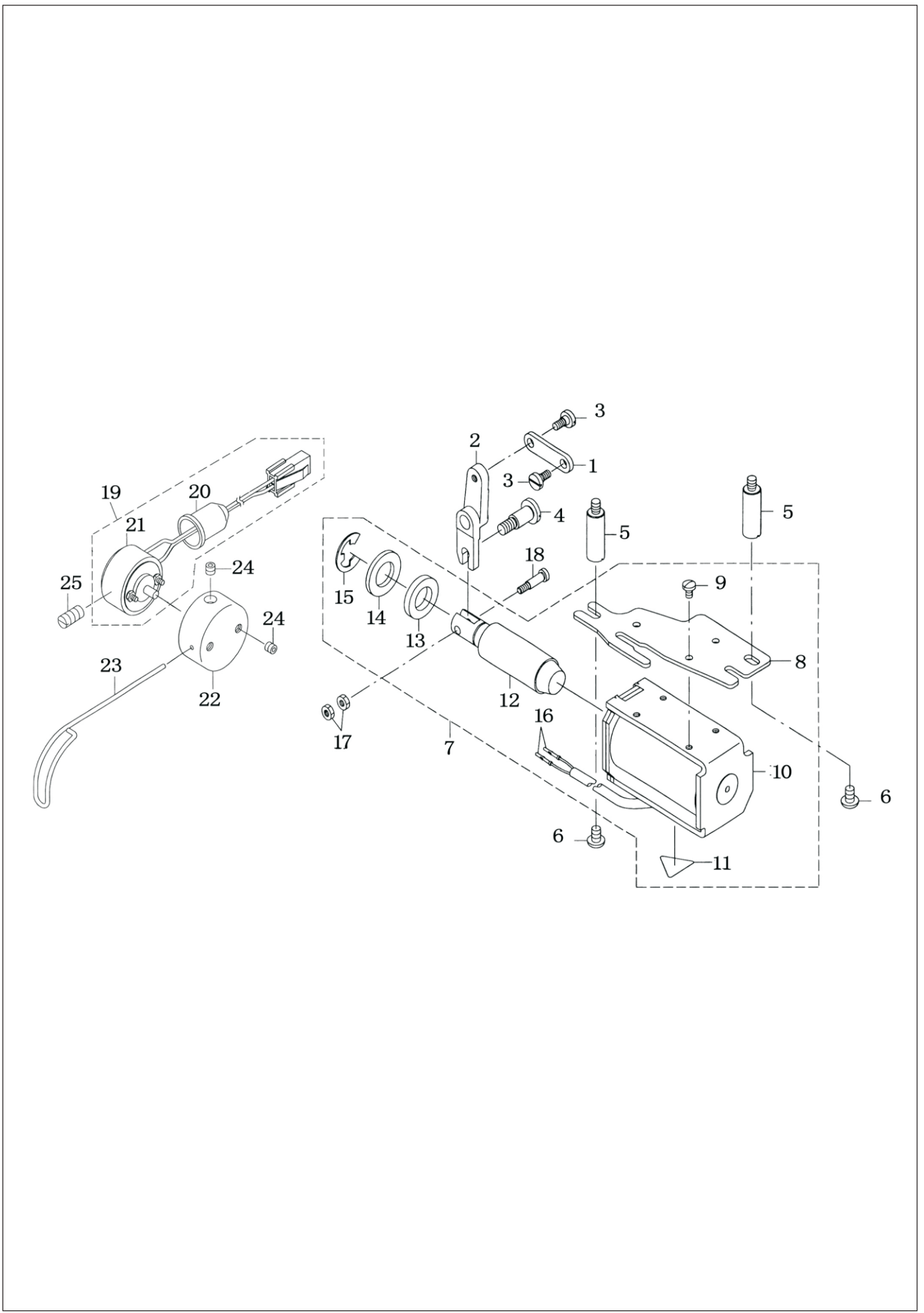


## 10. 剪线部件 Thread Trimmer Mechanism Components

序号 REF NO.	图号 PART NO.	名称	DESCRIPTION	数量 NUM
1	427. 10-01	支撑板组件	Base plate ASM.	1
2	424. 17-01-02	离合器组件	Clutch plate ASM.	1
3	424. 17-01-07	离合器复位弹簧	Clutch return spring	1
4	427. 10-02	动刀复位弹簧	Knife return spring	1
5	427. 10-03	动刀连杆	Moving knife link	1
6	424. 17-01-20	传动刀臂组件	Knife driving arm ASM.	1
7	424. 17-01-21	滚轮柱摇臂支架	Roller arm seat	1
8	424. 17-01-22	滚轮柱摇臂轴	Roller fulcrum shaft	1
9	424. 17-01-03	离合器连杆	Clutch link	1
10	427. 10-05	剪线电磁铁	Thread trimmer solenoid	1
11	424. 17-04	动刀铰链螺钉	Moving knife link pin	1
12	424. 17-07	铰链螺套	Moving knife link base	1
13	424. 17-01-05	传动臂限位器	Driving arm stopper	1
14	424. 17-01-08	滚轮柱复位弹	Roller return spring	1
15	424. 17-11	叉形连杆	Fork knife ASM.	1
16	424. 17-01-09	滚轮柱摇臂	Roller arm ASM.	1
17	424. 17-05	固定板	Fixed plate	1
18	424. 17-02	切线刀组件	Knife unit	1
19	424. 17-02-01	推板	Sliding plate	(1)
20	424. 17-02-02	刀座	Knife base	(1)
21	424. 17-02-03	传动刀	Driving knife ASM.	(1)
22	424. 17-02-04	定刀	Fixed knife	(1)
23	424. 17-02-05	右刀塞	Knife stopper, right	(1)
24	424. 17-02-06	左刀塞	Knife stopper, left	(1)
25	424. 17-02-07	弹簧	Spring	(1)
26	424. 17-02-08	油毡	Felt	(1)
27	424. 17-02-09	油毛夹	Clamp plate	(1)
28	11-70090620-01	螺钉9/64-40 L=6	Screw 9/64-40 L=6	(2)
29	424. 17-02-14	螺钉9/64-40 L=5	Screw 9/64-40 L=5	(2)
30	424. 17-02-10	螺钉3/32-56 L=3	Screw 3/32-56 L=3	(2)
31	424. 17-02-12	弹簧垫圈	Locating spring washer	(1)
32	424. 17-02-15	垫圈	Spring washer M2.6	(1)
33	424. 17-02-16	垫圈	Washer B T=0.4	(1)
34	427. 10-06	连杆轴	Clutch link pin	1
35	427. 10-07	橡皮保护套	Oil protecting rubber	2
36	13-60153020-01	螺母15/64-28	Nut 15/64-28	2
37	21-06210132-03	垫圈	Washer	1
38	14-60302420-02	螺母M3	Nut M3	2
39	24-040000000-08	卡簧	E-ring 4	2
40	24-05000000-08	卡簧	E-ring 5	1
41	24-06000000-08	卡簧	E-ring 6	2
42	424. 17-01-11	铰链螺钉D=6 H=2.9	Hinge screw D=6 H=2.9	1
43	424. 17-12	铰链螺钉D=7.94 H=15	Hinge screw D=7.94 H=15	1
44	424. 17-01-13	螺钉M4X0.7 L=6	Screw M4x0.7 L=6	3
45	11-20110850-01	螺钉11/64-40 L=8.5	Screw 11/64-40 L=8.5	1
46	11-10111220-01	螺钉11/64-40 L=12	Screw 11/64-40 L=9.5	1
47	11-40110925-01	螺钉11/64-40 L=9	Screw 11/64-40 L=9	2
48	11-40150925-01	螺钉15/64-28 L=9	Screw 15/64-28 L=9	2
49	11-70090620-01	螺钉9/64-40 L=6	Screw 9/64-40 L=6	1
50	427. 10-08	保护套	Oil protecting rubber	1



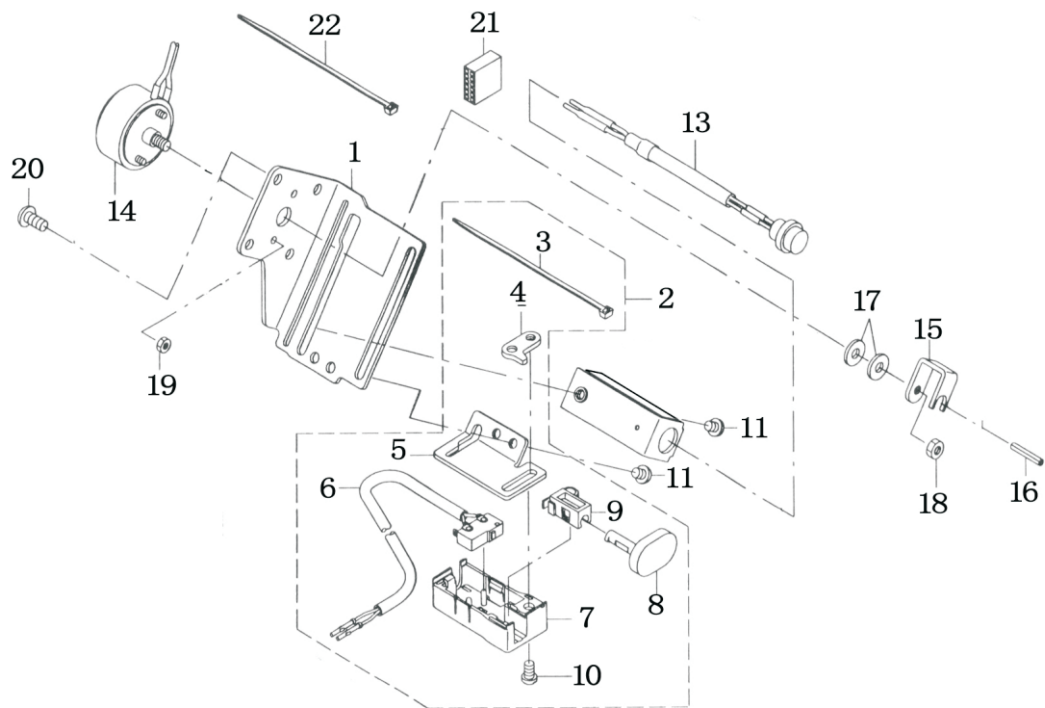
11. 倒缝、挑线电磁铁部件 Automatic Reverse Feed & Thread Feeder Mechanism Components



## 11. 倒缝、挑线电磁铁部件 Automatic Reverse Feed & Thread Feeder Mechanism Components

序号 REF NO.	图号 PART NO.	名称	DESCRIPTION	数量 NUM
1	427.11-01	自动倒送料连杆	Automatic reverse feed link	1
2	427.11-02	自动倒送料臂	Automatic reverse feed arm	1
3	427.11-03	铰链螺钉D=6 H=4.5	Hinge screw D=6 H=4.5	2
4	427.11-04	铰链螺钉D=9.53 H=15	Hinge screw D=9.53 H=15	1
5	427.11-05	电磁铁安装板螺栓	Solenoid base stud	2
6	11-40150925-01	螺钉15/64-28 L=9	Screw 15/65-28 L=9	2
7	427.11-06	倒缝电磁铁组件	Solenoid base ASM.	1
8	427.11-06-01	电磁铁安装板	Reverse feed solenoid base	(1)
9	11-60110720-01	螺钉11/64-40 L=7	Screw 11/64-40 L=7	(3)
10	427.11-06-02	倒缝电磁铁	Reverse feed solenoid	(1)
11	427.11-06-03	注意标签	Attention seal 2(3.15)	(1)
12	427.11-06-04	倒缝电磁铁活塞	Reverse feed solenoid plunger	(1)
13	427.11-06-05	橡皮垫圈	Rubber plunger	(1)
14	21-17030300-02	垫圈17X30X3	Washer 17x30x3	(1)
15	24-12000000-08	卡簧	E-ring 12	(1)
16	427.11-06-06	链接销插针	Pin contact	(2)
17	13-60113020-01	螺母11/64-40	Nut 11/64-40	2
18	427.11-07	电磁铁铰链销	Plunger arm pin	(1)
19	427.11-08	挑线电磁铁组件	Feeder solenoid ASM.	1
20	501.05-04	挡油盖		(1)
21	427.11-08-02	挑线电磁铁小组件		(1)
22	427.11-09	拨线器座	Feeder wire fitting base	1
23	427.11-10	拨线器	Feeder wire	1
24	11-80110412-01	螺钉11/64-40 L=4	Screw 11/64-40 L=4	3
25	11-80151210-01	螺钉15/64-28 L=12	Screw 15/64-28 L=12	1

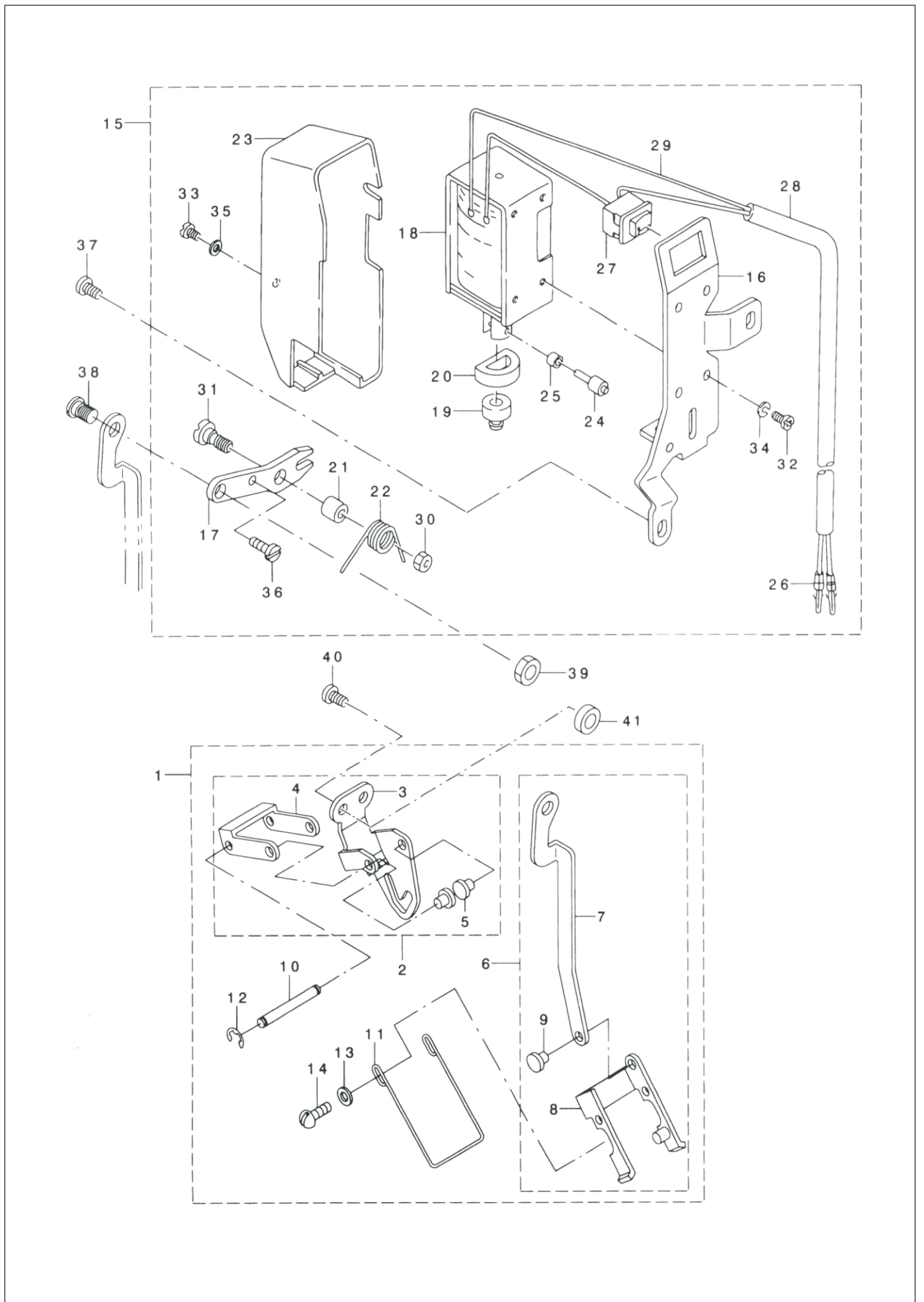
## 12. 松线电磁铁部件 Thread Release Solenoid Components



## 12. 松线电磁铁部件 Thread Release Solenoid Components

序号 REF NO.	图号 PART NO.	名称	DESCRIPTION	数量 NUM
1	427.12-01	开关按装板	Manual switch base	1
2	427.12-02	倒缝开关组件	Touch back switch base ASM.	1
3	427.02-11-09	电线扎带	Cable band	(1)
4	427.12-02-01	倒缝开关安装垫板	Reverse feed switch base guide	(1)
5	427.12-02-02	倒缝开关底板	Touch back switch base	(1)
6	427.12-02-03	倒缝电线组件	Reverse feed cord ASM.	(1)
7	427.12-02-04	倒缝开关盒	Manual switch base ASM. A	(1)
8	427.12-02-05	倒缝开关	Reverse feed switch shaft	(1)
9	427.12-02-06	倒缝开关座	Reverse feed switch support	(1)
10	11-60110720-01	螺钉11/64-40 L=7	Screw 11/64-40 L=7	(1)
11	11-40110525-01	螺钉11/64-40 L=5	Screw 11/64-40 L=5	(3)
13	427.12-04	按钮电线组件	Swled cable a ASM.	1
14	427.12-05	松线电磁铁组件	Thread release solenoid ASM.	1
15	424.17-20-02	松线架	Thread release push plate	1
16	427.12-06	弹簧销3X18	Spring pin 3x18	1
17	427.12-07	缓冲垫圈	Frame side cover gasket	2
18	14-60403020-02	螺母M4X0.7	Nut M4x0.7	1
19	14-60302420-02	螺母M3	Nut M3	2
20	11-40121025-01	螺钉3/16-28 L=10	Screw 3/16-28 L=10	4
21	427.12-08	12P电线接头	Housing 12P	1
22	427.02-11-09	电线扎带	Cable band	1

# 13. 拨线电磁铁部件 Wiper Mechanism Solenoid Components

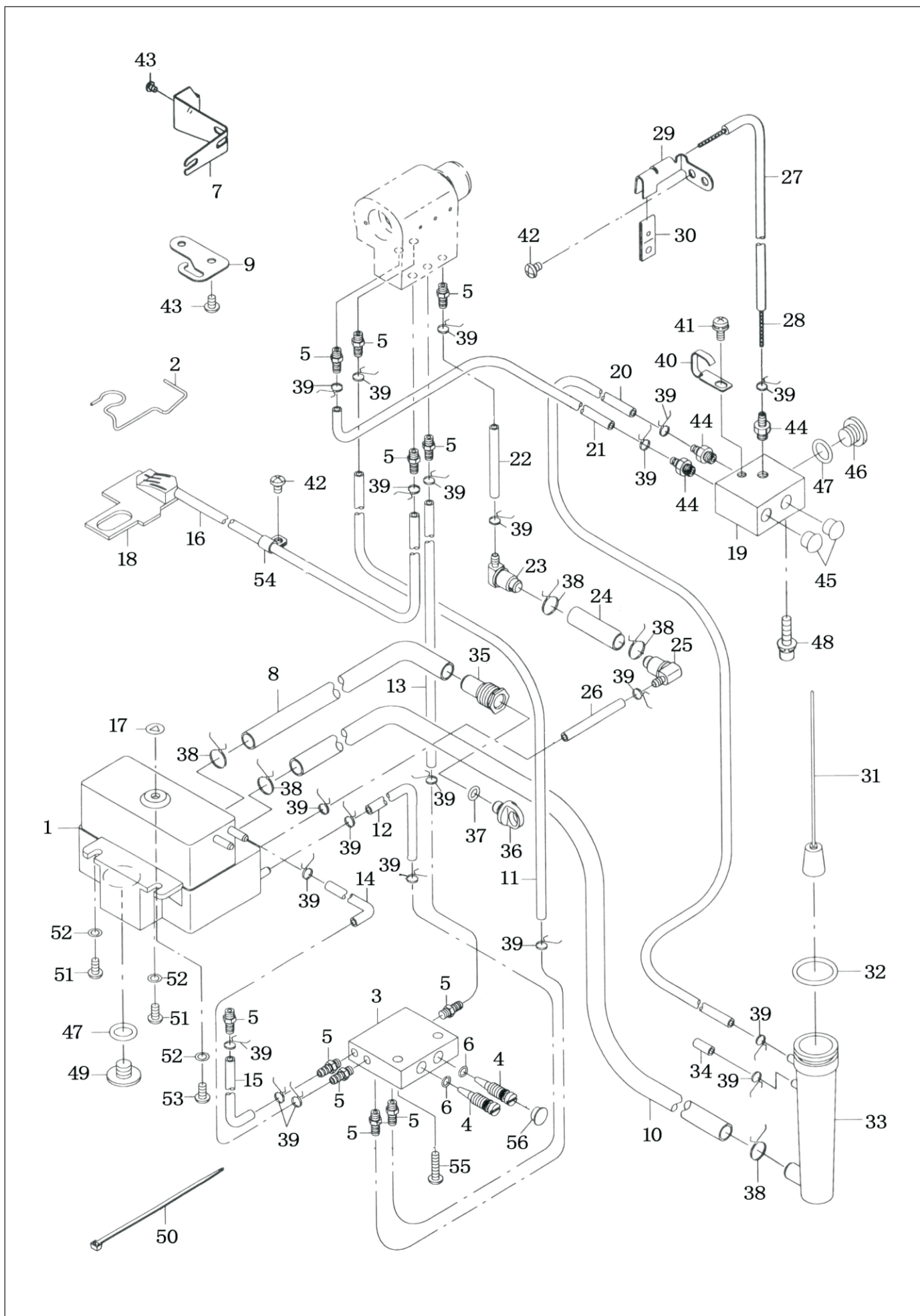


### 13. 拨线电磁铁部件 Wiper Mechanism Solenoid Components

序号 REF NO.	图号 PART NO.	名称	DESCRIPTION	数量 NUM
1	424. 20-01	拨线器组件	Wiper ASM.	1
2	424. 20-01-01	拨线器底部组件	Wiper base ASM.	(1)
3	424. 20-01-01-01	拨线器底座	Wiper base	(1)
4	424. 20-01-01-02	拨线器接头	Wiper link 1	(2)
5	424. 20-01-01-03	滑动销	Pin	(2)
6	424. 20-01-02	拨线连杆组件	Wiper link COMPL.	(1)
7	424. 20-01-02-01	拨线连杆	Wiper link	(1)
8	424. 20-01-02-02	拨线架	Wiper link ASM. 2	(1)
9	424. 20-01-02-03	滑动销	Pin	(1)
10	424. 20-03	拨线接头销轴	Wiper link shaft	(1)
11	424. 20-04	拨线器	Wiper	(1)
12	424. 20-05	卡簧	E-ring 3.2	(1)
13	424. 20-06	垫圈 3.7X8X1	Washer 3.7x8x1	(2)
14	424. 20-07	螺钉9/64-40 L=4.5	Screw 9/64-40 L=4.5	(2)
15	424. 20-08	拨线电磁铁组件	Wirer solenoid ASM.	1
16	424. 20-08-01	拨线器开关底座	Wiper base	(1)
17	424. 20-08-02	拨线器叉口连杆	Wiper link	(1)
18	424. 20-08-03	电磁铁	Wiper solenoid	(1)
19	424. 20-08-04	橡胶块A	Wiper rubber A	(1)
20	424. 20-08-05	橡胶块B	Wiper rubber B	(1)
21	424. 20-08-06	拨线器叉口连杆螺套	Wiper hinge screw collar	(1)
22	424. 20-08-07	扭簧	Wiper spring	(1)
23	424. 20-08-08	拨线电磁铁罩壳	Wiper cover	(1)
24	424. 20-08-09	电磁铁导向销	Wiper solenoik pin	(1)
25	424. 20-08-10	导向销螺套	Wiper link collar	(1)
26	424. 20-08-11	电线接头	Pin contact	(2)
27	424. 20-08-12	开关	Power switch	(1)
28	424. 20-08-13	电线套	Two-core cord	(1)
29	424. 20-08-14	电线	Electric wire	(1)
30	424. 20-08-15	螺母11/64-40	Nut 11/64-40	(1)
31	424. 20-08-16	铰链螺钉D=6.5 H=3.2	Hinge screw D=6.5 H=3.2	(1)
32	424. 20-08-17	螺钉M3 L=6	Screw M3 L=6	(4)
33	424. 20-08-18	螺钉M3 L=6	Screw M3 L=6	(1)
34	424. 20-08-19	弹簧垫圈3.1X5.9X0.7	Spring washer 3.1x5.9x0.7	(4)
35	424. 20-08-20	垫圈M3	Washer M3	(1)
36	424. 20-08-21	螺钉11/64-40 L=9.5	Screw 11/64-40 L=9.5	(1)
37	11-40120625-01	螺钉3/16-28 L=6	Screw 3/16-28 L=6	2
38	424. 20-10	铰链螺钉D=6.5 H=2.7	Hinge screw D=6.5 H=2.7	1
39	13-60113020-01	螺母11/64-40	Nut 11/64-40	1
40	11-40110925-01	螺钉11/64-40 L=9	Screw 11/64-40 L=9	2
41	424. 20-13	弹簧垫圈	Bsw presser plate washer	2



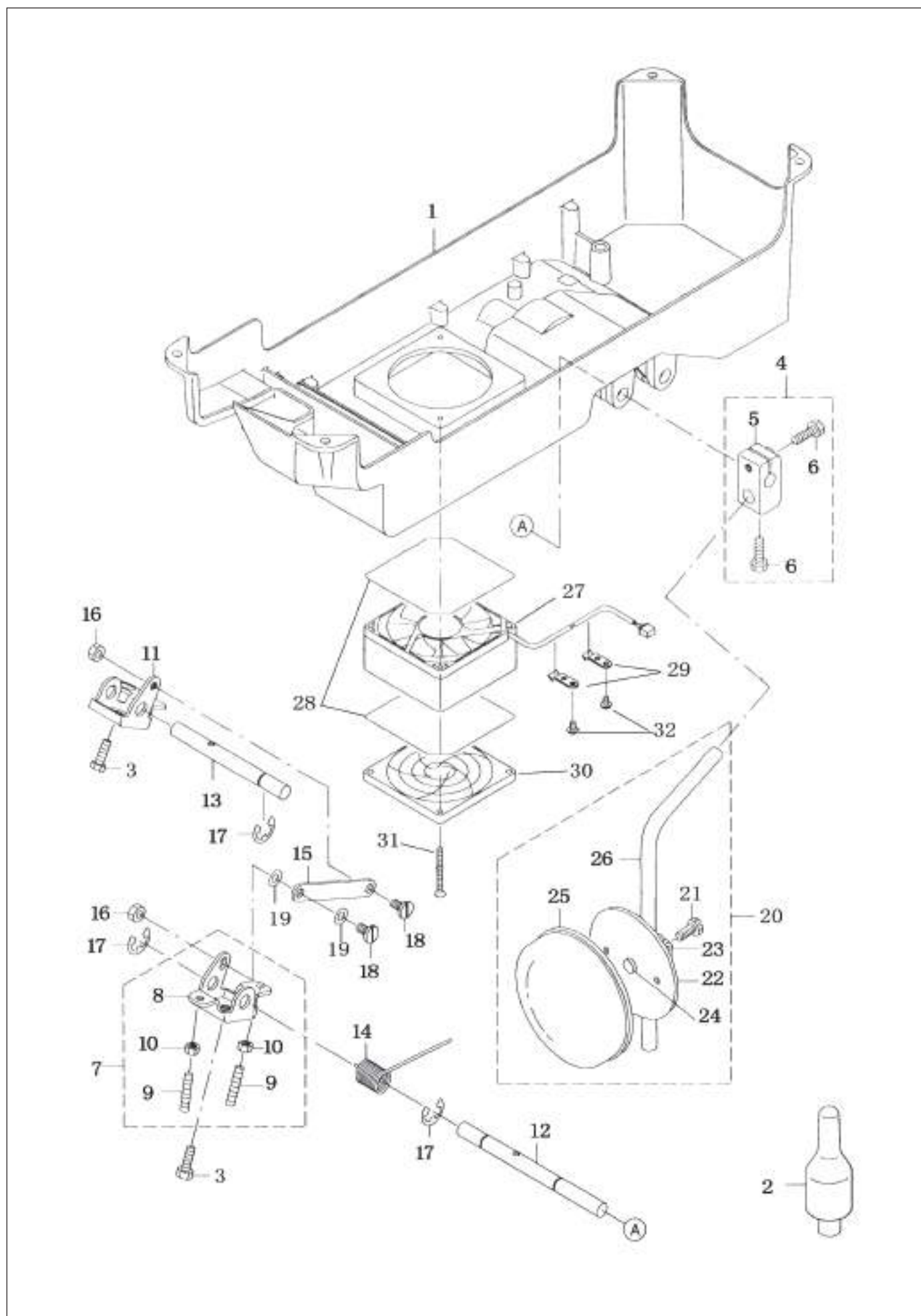
# 14. 润滑系统部件 Lubrication Components



## 14. 润滑系统部件 Lubrication Components

序号 REF NO.	图号 PART NO.	名称	DESCRIPTION	数量 NUM
1	427. 14-01	油盒组件	Oil tank ASM.	1
2	427. 14-02	油毡压簧	Once through oil felt presser	1
3	427. 14-03	旋梭油量调节器	Hook oil regulating	1
4	427. 14-04	调节螺钉	Hook oil regulating screw	2
5	427. 14-05	油管接头	Lubrication connector	11
6	31-03618000-09	O型橡皮圈	Rubber ring	2
7	427. 14-06	油管压板	Head lubrication pipe stopper	1
8	42-09007000-00	注油管L=410mm	Tube L=410mm	0.41
9	427. 14-08	油管导向板	Lubrication tank pipe guide	1
10	42-09007000-00	示油管L=310mm	Tube L=310mm	0.31
11	42-05003000-00	柱塞供旋梭油量调节器油管L=160mm	Tube L=160mm	0.16
12	42-05003000-00	油箱接旋梭油量调节器油管L=175mm	Tube L=175mm	0.175
13	42-05003000-00	旋梭油箱调节器接柱塞孔油管L=110mm	Tube L=110mm	0.11
14	42-05003000-00	旋梭回油管L=195mm	Tube L=195mm	0.195
15	42-05003000-00	旋梭油量调节器供旋梭轴油管L=70mm	Tube L=70mm	0.07
16	42-05003000-00	针杆回油管L=1060mm	Tube L=1060mm	1.06
17	501. 01-04	止动板	Stopper	1
18	427. 14-17	油毡	Once through oil felt	1
19	427. 14-18	上轴油量调节器	Face lubrication tank	1
20	42-05003000-00	上轴油量调节器回油管L=190mm	Tube L=190mm	0.19
21	42-05003000-00	柱塞接上轴油量调节器油管L=475mm	Tube L=475mm	0.475
22	42-05003000-00	柱塞接转换接头油管L=45mm	Tube L=45mm	0.045
23	427. 14-22	油管转换接头组件	Oil filter joint	1
24	42-09007000-00	转换接头油管L=35mm	Pipe stopper tube L=35mm	2
25	427. 14-24	油管接头	Tube	1
26	42-05003000-00	油管接头接油箱油管L=45mm	Tube L=45mm	0.045
27	42-05003000-00	供针杆曲柄油管 L=420mm	Tube L=420mm	0.42
28	43-30150000-00	油线L=460mm	Oul wick L=460mm	1
29	427. 14-28	油管固定夹	Face lubrication presser	1
30	427. 14-29	油毡	Balance lubricating	1
31	1228. 08-08	油标组件	Floater ASM.	1
32	31-20024000-09	O型橡皮圈	Rubber ring	1
33	427. 14-31	浮标座	Floater case	1
34	427. 14-32	堵油帽	Floater case cap	1
35	427. 14-33	注油嘴	Lubricating inlet	1
36	427. 14-34	注油孔塞	Lubricating inlet cap	1
37	31-04818000-09	O型橡皮圈	Rubber ring	1
38	1228. 08-34	油管夹	Pipe stopper	5
39	1228. 08-12	油管夹	Pipe stopper	21
40	134. 01-79	固定夹	Cord holder	1
41	16-40501025-02	螺钉M5X0.8 L=10	Screw M5x0.8 L=10	1
42	11-40110625-01	螺钉11/64-40 L=6	Screw 11/64-40 L=6	3
43	11-40120625-01	螺钉3/16-28 L=6	Screw 3/16-28 L=6	3
44	427. 14-38	油管连接螺钉	Connecting screw	3
45	101. 01-12	橡皮塞	Rubber plug	2
46	11-70241020-01	螺钉3/8-28 L=7	Screw 3/8-28 L=7	1
47	31-09624000-09	O型橡皮圈	Rubber ring	2
48	16-60502022-02	螺钉 M5 L=20	Screw M5 L=20	2
49	11-70200720-01	螺钉5/16-24 L=7	Screw	1
50	427. 02-11-09	电线扎带	Cable band	1
51	11-40110825-01	螺钉11/64-40 L=8	Screw 11/64-40 L=8	2
52	21-04608080-01	垫圈4.6X8X0.8	Washer 4.6x8x0.8	3
53	11-40111425-01	螺钉11/64-40 L=14	Screw 11/64-40 L=14	1
54	101. 08-28-01	油管夹	Holder	1
55	11-40121625-01	螺钉3/16-28 L=16	Screw 3/16-28 L=16	2
56	501. 01-431	橡皮塞 D=7.5 L=3.5	Plug D=7.5 L=3.5	1

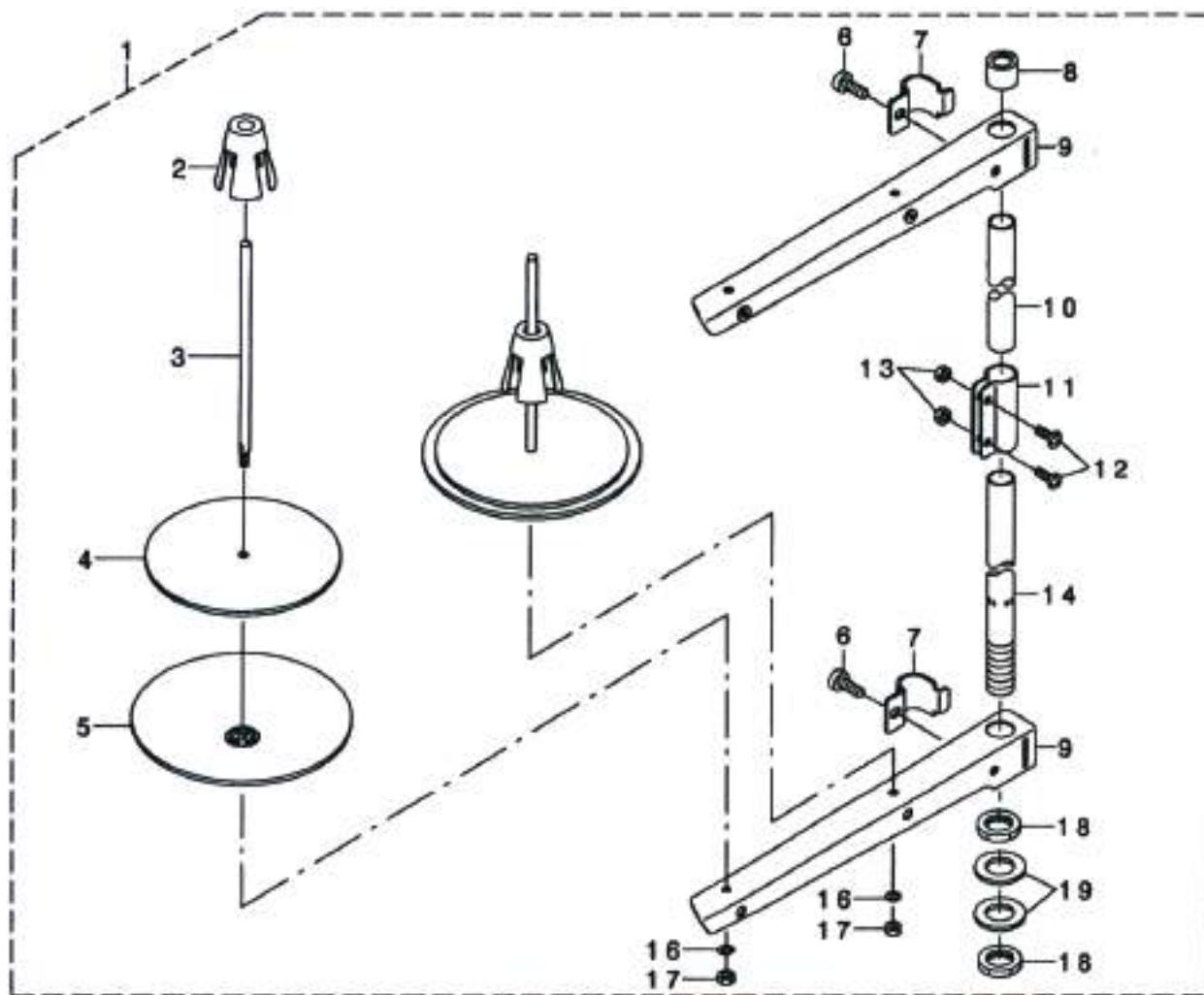
# 15. 油盘部件 Under Cover Components



## 15. 油盘部件 Under Cover Components

序号 REF NO.	图号 PART NO.	名称	DESCRIPTION	数量 NUM
1	427.15-01	油盘	Under cover	(1)
2	501.01-22	机头支柱	Machine frame support rod	1
3	12-90601833-02	螺钉M6 L=17.5	Screw M6 L=17.5	(2)
4	101.09-10-00	抬压脚操纵接头组件	Bracket ASM.	1
5	101.09-10	抬压脚操纵接头	Bracket	(1)
6	12-90602423-02	螺钉M6 L=24	Screw M6 L=24	(2)
7	134.12-03	抬压脚双向曲柄组件	Knee lifter rotating arm ASM.	1
8	134.12-03-01	抬压脚双向曲柄	Bracket	(1)
9	12-80603012-02	螺钉M6 L=30	Screw M6 L=30	(2)
10	14-60605020-02	螺母	Nut ma6	(2)
11	134.12-07	连接座	Connecting rot	(1)
12	134.12-08	膝提压脚轴	Knee press rod	(1)
13	134.12-09	轴	Shaft	(1)
14	134.12-10	弹簧	Spring	(1)
15	134.12-11	连杆	Connecting rod	(1)
16	13-60153020-01	螺母15/64-28	Nut 15/64-28	(2)
17	24-10000000-09	卡簧	E-ring 10	(3)
18	134.04-30	铰链螺钉D=7.24 H=3.3	Hinge screw D=7.24 H=3.3	(2)
19	21-06410131-01	垫圈6.5X13X0.8	Washer 6.5x13x0.8	(2)
20	101.09-15-00	膝提操纵板组件	Knee pad plate ASM.	1
21	12-90601223-02	螺钉M6 L=12	Screw M6 L=12	(1)
22	101.09-19	操纵板	Knee pad plate	(1)
23	101.09-17	操纵杆夹头	Knee pad plate support	(1)
24	101.09-18	操纵杆垫块	Knee pad plate rubber	(1)
25	101.09-20	操纵板软垫	Knee pad plate cover	(1)
26	101.09-15	操纵杆	Knee pad upright shaft	(1)
27	427.15-02	风扇	Cooling fan	(1)
28	427.15-03	滤尘网	Filter	(2)
29	427.15-04	电线压板	Wire presser A	(2)
30	427.15-05	风扇罩	Fan filter	(1)
31	12-40404025-01	螺钉M4X0.7 L=40	Screw M4x0.7 L=40	(2)
32	12-40400625-01	螺钉M4X0.7 L=6	Screw M4x0.7 L=6	(2)

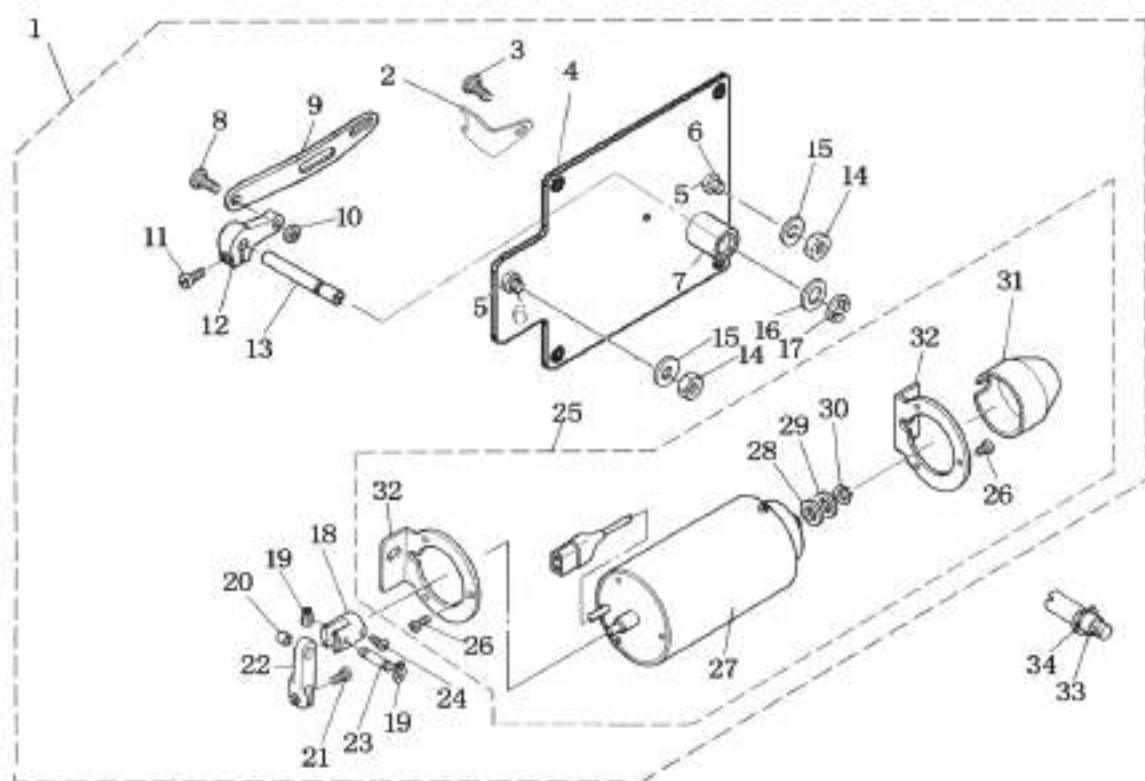
# 16. 线架部件 Thread Stand Components



## 16. 线架部件 Thread Stand Components

序号 REF NO.	图号 PART NO.	名称	DESCRIPTION	数量 NUM
1	101.11-01	线架组件	Thread stand ASM.	1
2	279.12-00-22	线盘芯	Spool retainer	(2)
3	279.12-00-23	线盘钉	Spool pin	(2)
4	279.12-00-24	线盘垫	Spool rest cushion	(2)
5	279.12-00-25	线圈托盘	Spool rest	(2)
6	279.12-00-04	螺钉	Screw M6 L=16	(2)
7	279.12-00-03	线臂抱攀	Thread guide arm joint	(2)
8	279.12-00-01	上直管盖帽	Spool rest rod rubber cap	(1)
9	279.12-00-08	短固线臂	Spool rest arm	(1)
10	279.12-00-02	线架上直管	Spool rest rod, upper	(1)
11	279.12-00-15	直管接头	Spool rest rod joint	(1)
12	279.12-00-16	紧固螺钉	Screw M5 L=14	(2)
13	279.12-00-14	紧固螺母	Nut M5	(2)
14	279.12-00-19	下直管	Spool rest rod, lower	(1)
15	279.12-00-21	防震垫	Washer 16x30x2.6	(2)
16	279.12-00-26	弹性垫圈	Spring washer	(2)
17	279.12-00-27	螺帽	Nut M5	(2)
18	279.12-00-20	螺帽	Nut M16x1.5	(2)

# 17. 自动抬压脚装置(可供选择) Auto Lifter (on The Side Plate)

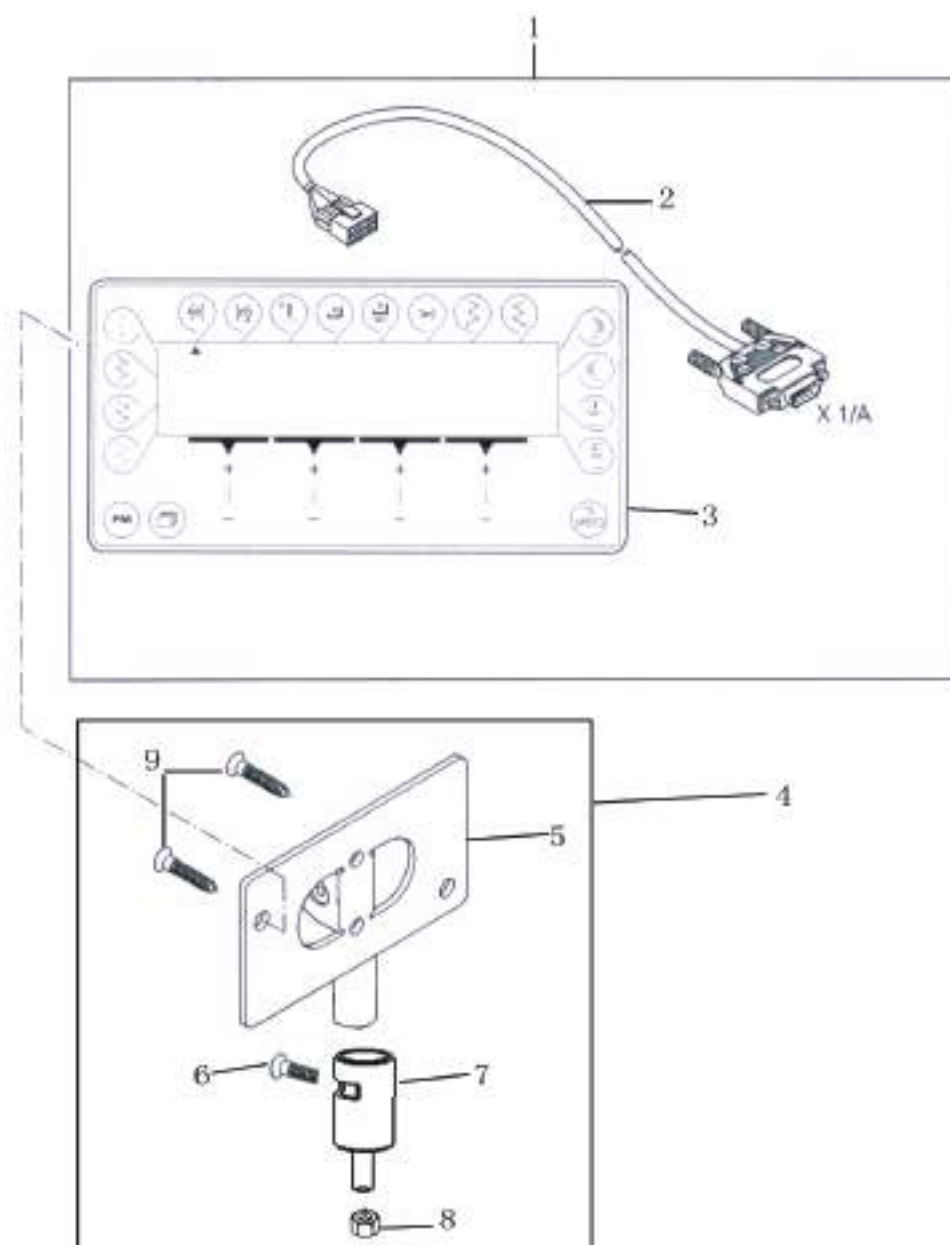




## 17. 自动抬压脚装置(可供选择) Auto Lifter (on The Side Plate)

序号 REF NO.	图号 PART NO.	名称	DESCRIPTION	数量 NUM
1	427. 17-01	抬压脚装置组件	Device ASM.	1
2	424. 22-01-22	限位板	Plate of position	(1)
3	11-40110525-01	限位板螺钉	Screw	(1)
4	427. 17-01-01	后盖板	Side plate	(1)
5	13-60153020-01	磁铁固定螺母	Nut	(2)
6	11-40151225-01	磁铁固定螺钉	Screw	(2)
7	424. 22-01-01-05-01	杠杆螺套组件	Lever screw set ASM.	(1)
8	424. 22-01-02	铰链螺丝	Hinge screw D=8 H=3.5	(1)
9	427. 17-01-02	杠杆	Solenoid link	(1)
10	13-60153020-01	螺母	Nut 15/64-28	(1)
11	11-40121425-01	螺丝	Screw 3/16-28 L=14	(1)
12	424. 22-01-06	杠杆曲柄	Solenoid arm	(1)
13	424. 22-01-07	杠杆轴	Solenoid shaft	(1)
14	424. 22-01-08	螺母	Nut 15/64-28	(2)
15	424. 22-01-09	垫片	Washer	(2)
16	21-10010181-01	垫片	Washer	(1)
17	424. 22-01-11	E型卡簧 6	E-ring 6	(1)
18	424. 22-01-12	轧头	Solenoid collar	(1)
19	424. 17-01-17	E型卡簧 4	Ring	(2)
20	424. 22-01-14	衬套	Solenoid pin collar	(1)
21	12-60501422-01	螺丝	Screw M5×0.8 L=14	(1)
22	424. 22-01-16	杠杆曲柄A	Solenoid arm A	(1)
23	424. 22-01-17	轧头销	Solenoid pin	(1)
24	12-60501422-01	螺丝	Screw M5×0.8 L=9	(1)
25	424. 22-01-19	磁铁组件	Solenoid ASM. A	(1)
26	11-40120925-01	螺丝	Screw 3/16-28 L=9	(6)
27	424. 22-01-19-02	电磁铁组件	Wiper solenoid	(1)
28	424. 22-01-19-03	磁铁橡胶垫	Solenoid rubber A	(1)
29	424. 22-01-19-04	垫片	Washer 10.5×18×2	(1)
30	424. 22-01-19-05	止动环	Retaining ring	(1)
31	424. 22-01-19-06	磁铁罩	Solenoid cover	(1)
32	424. 22-01-19-07	电磁铁支承板	Solenoid base	(2)
33	424. 22-01-20	轴销组件	Shaft pin ASM.	(1)
34	423. 07-22	E型卡簧 5	E-ring	(1)

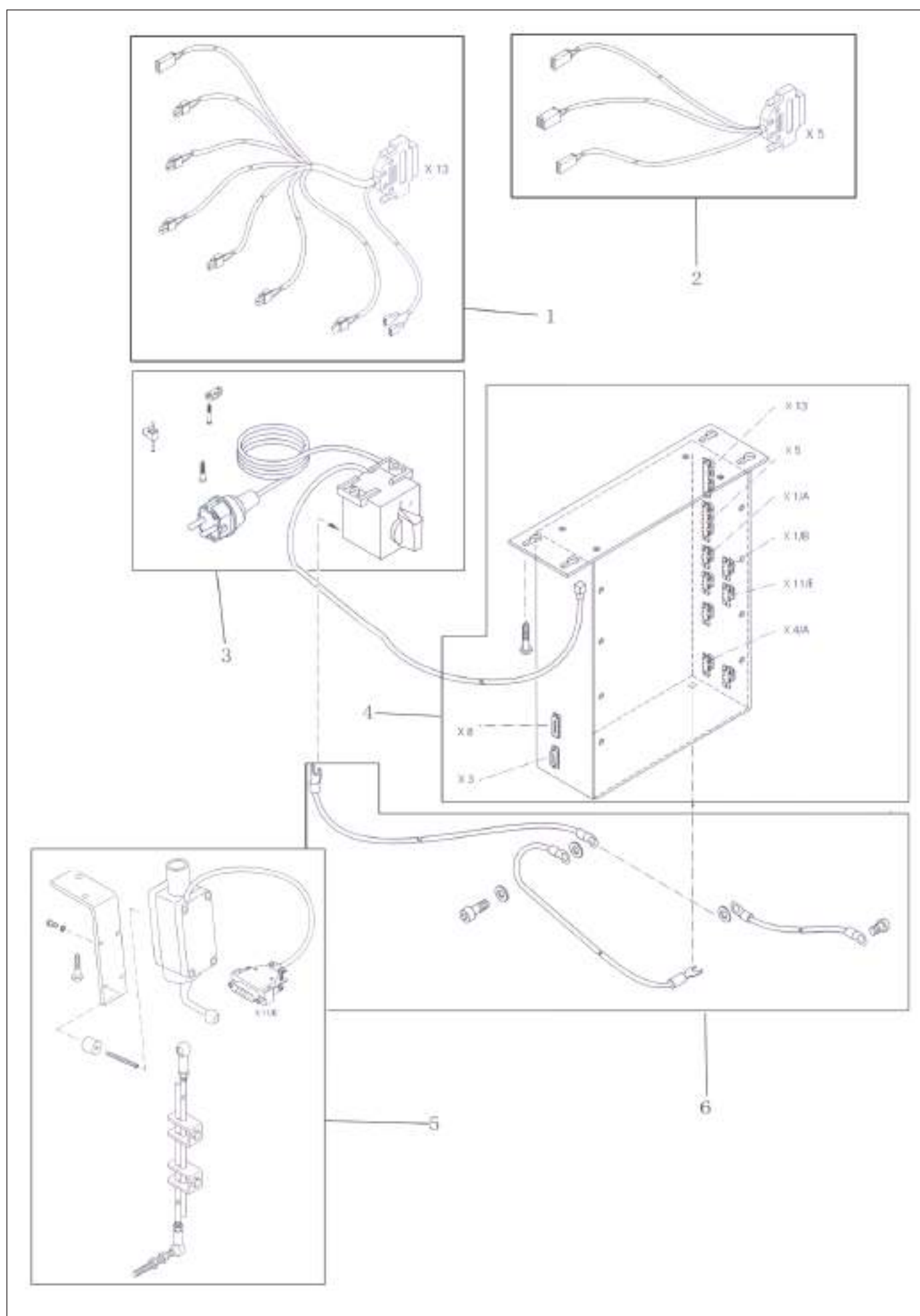
# 18. 操作盘部件 Control Panel Components



## 18. 操作盘部件 Control Panel Components

序号 REF NO.	图号 PART NO.	名称	DESCRIPTION	数量 NUM
1	427.18-01	操作盘组件	Control panel ASM.	1
2	427.18-01-01	操作盘电缆	Panel cable B ASM.	(1)
3	427.18-01-02	操作盘面板组件	Panel sheet ASM.	(1)
4	427.18-02	操作盘支架组件	Panel bracket ASM.	1
5	427.18-02-01	操作盘支架	Panel bracket A	(1)
6	427.18-02-02	自攻螺钉	Tapping screw	(1)
7	427.18-02-03	支柱	Stanchion	(1)
8	14-60603010-02	操作板支柱螺母	Nut M6	(1)
9	427.18-02-04	螺钉	Screw	(2)

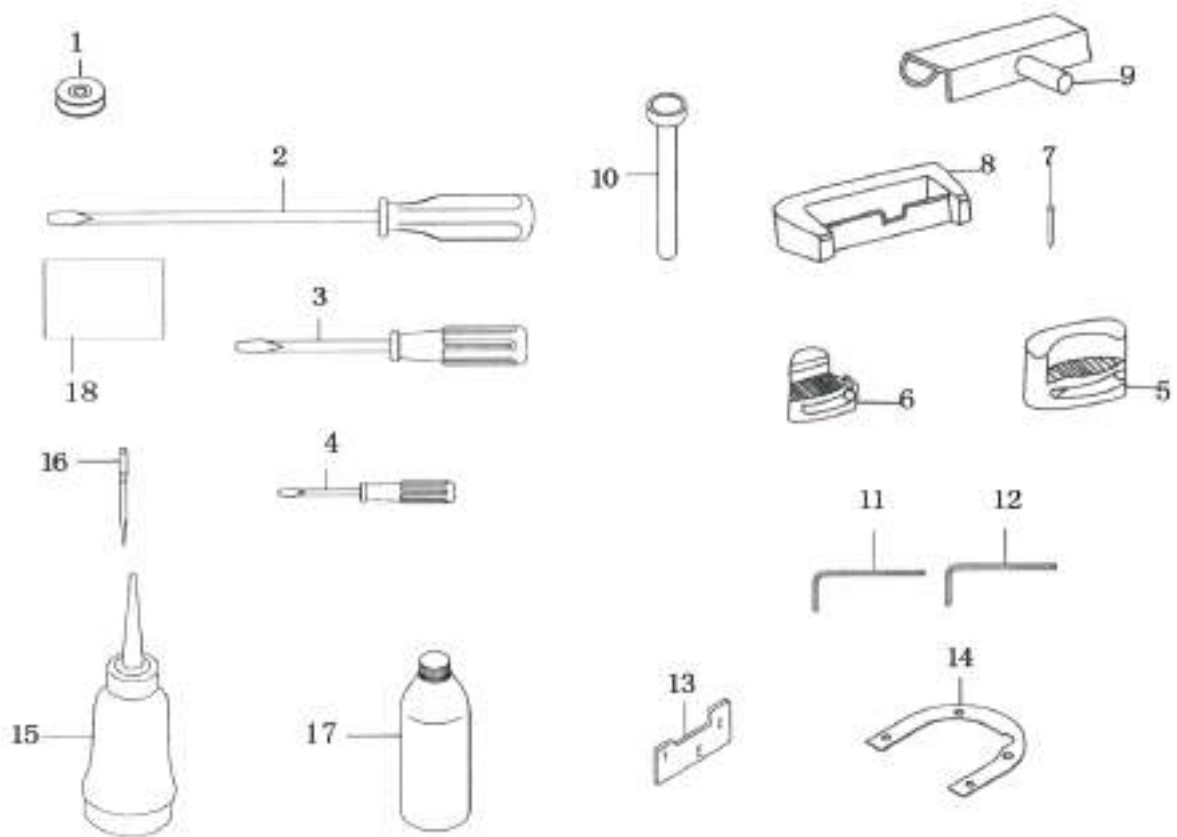
# 19. 电气控制箱和开关部件 Control Box And Power Switch Components



## 19. 电气控制箱和开关部件 Control Box And Power Switch Components

序号 REF NO.	图号 PART NO.	名称	DESCRIPTION	数量 NUM
1	427.19-01	电缆束X13	Cable tree x13	1
2	427.19-02	电缆束X5	Cable tree x5	1
3	427.19-03	电源开关组件	Power switch assy.	1
4	427.19-04	电气控制箱组件	Control box assy.	1
5	427.19-05	踏板控制器	Set-p0int generator	1
6	427.19-06	地线组件	Ground wire a ASM.	1

## 20. 附件部件 Accessorie Part Components

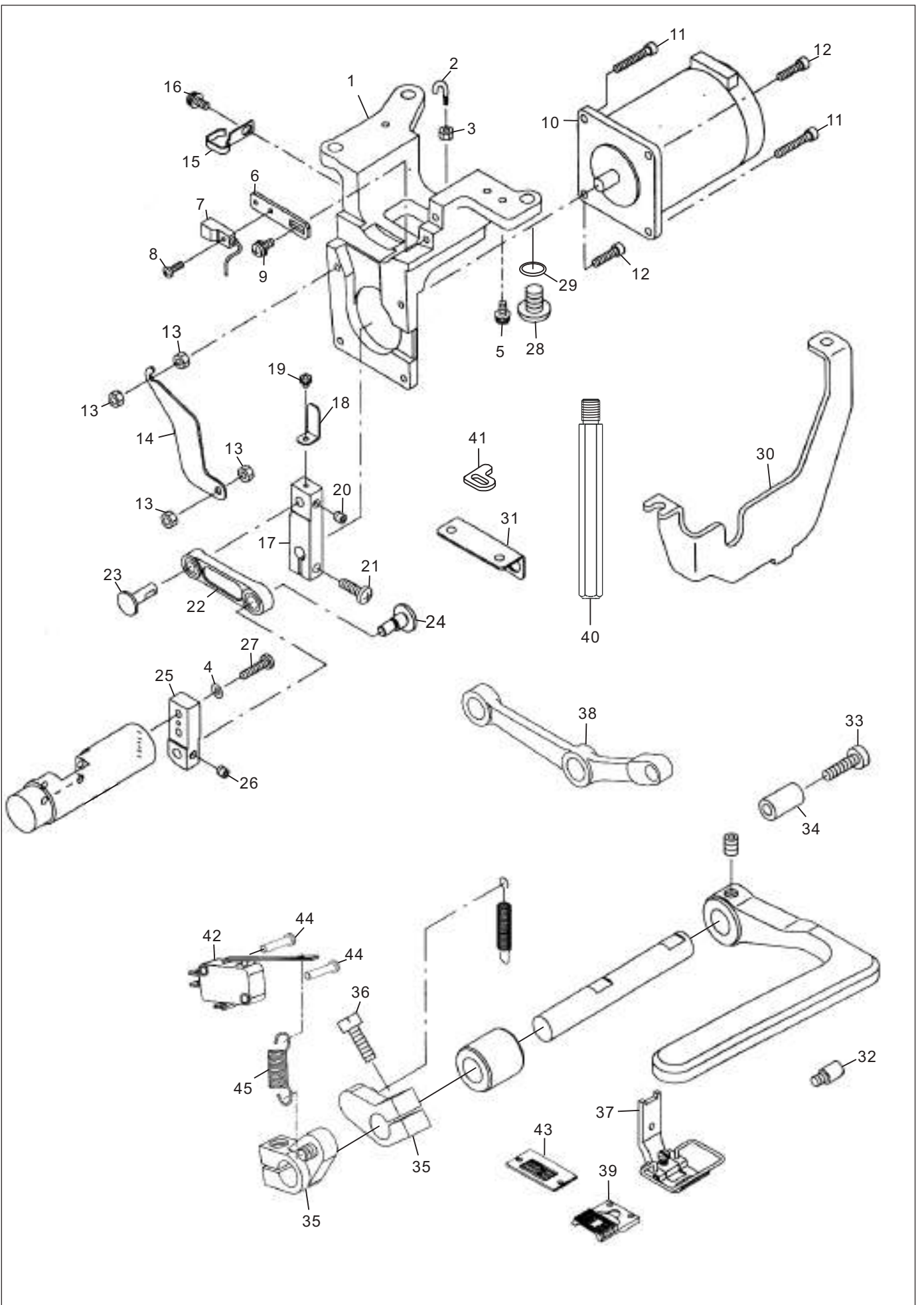


## 20. 附件部件 Accessorie Part Components

序号 REF NO.	图号 PART NO.	名称	DESCRIPTION	数量 NUM
1	423. 11-09	梭心	Bobbin S	1
2	101. 12-15	螺丝刀(大)	Screw driver, large	1
3	101. 12-16	螺丝刀(中)	Screw driver, middle	1
4	101. 12-17	螺丝刀(小)	Screw driver, small	1
5	120. 09-04	机头橡胶垫块(大)	Frame bubber cushion	(2)
6	120. 09-05	机头橡胶垫块(小)	Washer	(2)
7	101. 12-03	钉	Nail	(8)
8	101. 12-02	机头连接座	Rubber cushion	(2)
9	101. 12-01	机头连接勾	Hinge COMPL.	(2)
10	427. 20-11	膝提压脚顶杆	Knee lifter presser rod	1
11	301. 20-13	内六角扳手2	Hexagonal wrench key(2mm)	1
12	423. 16-10	内六角扳手3/32	Wrench (3/32)	1
13	423. 07-19	同步板	Timing gauge E	1
14	424. 23-09	隔离板	Spacer	1
15	279. 11-18	滴油壶	Oiler ASM.	1
16	427. 03-26	机针	Needle dpx5 #10-2	3
17	101. 12-21	油壶(600CC)	Defrix oil no.1(600cc)	1
18	427. 20-05	附件袋	Accessorie bag	1



21. 2279D-SR专用部件 Special Components



## 21. 2279D-SR专用部件 Special Components

序号 REF NO.	图号 PART NO.	名称	DESCRIPTION	数量 NUM
1	427. 21-01	步进电机安装架	Feed Pulse Motor Unit	1
2	427. 21-02	弹簧挂钩	Suspension Screw	1
3	14-60093020-01	螺母	Nut SM9/64"x40	1
4	21-04508080-01	垫圈	Washer	2
5	16-40400825-02	螺钉	Screw M4,L=8	2
6	427. 21-03	传感器安装板	Sensor Base	1
7	427. 21-04	传感器	Zero Sensor A Asm.	1
8	12-40250821-02	螺钉	Screw M2.5,L=8	1
9	12-60400822-02	螺钉	Screw M4,L=8	1
10	427. 21-05	送料步进电机	Pulse Motor	1
11	12-60402522-01	螺钉	Screw M4,L=25	2
12	12-60401422-01	螺钉	Screw M4,L=14	2
13	14-60403020-02	螺母	Nut M4	4
14	427. 21-06	送布电机挡板	Pipe Guide Plate	1
15	134. 01-79	电线夹	Cord Holder	4
16	16-40400825-02	螺钉	Screw M4,L=8	4
17	427. 21-07	连接架	Pulse Motor Link	1
18	427. 21-08	传感器压板	Sensor Slit	1
19	12-60300622-02	组合螺钉	Combination Screw M3,L=6	1
20	12-80500612-01	螺钉	Screw M5,L=6	1
21	12-60501622-01	螺钉	Screw M5,L=16	1
22	427. 21-09	步进电机连接杆组件	Assy Pulse Motor Link	1
23	427. 04-03	连接销	Junction Shaft	1
24	427. 21-10	偏心销	Feed Link Shaft	1
25	427. 21-11	步进电机连接块	Pulse Motor Link	1
26	12-80500612-01	螺钉	Screw M5,L=6	1
27	11-70111920-01	螺钉	Screw SM11/64x40,L=18	2
28	11-60151522-01	螺钉	Screw SM15/64x28,L=19	3
29	21-06510110-01	垫圈	Washer	3
30	427. 21-12	支撑板	Bed Support Plate	1
31	427. 21-13	导向板	Pipe Guide Plate	1
32	423. 09-19	限位销	Pin	1
33	11-60121820-01	螺钉	Screw SM3/16x28,L=18	1
34	109. 01-18	倒送料扳手限位器	Reverse Feed Lever Stopper	1
35	134. 05-24	倒送料曲柄组件	Feed Reverse Asm.	1
36	11-60121620-01	螺钉	Screw SM3/16x28,L=16	2
37	427. 21-14	压脚组件	Presser Asm.	1
38	427. 21-15	送料偏心凸轮连杆	Horizontal Feed Junction Rod	1
39	427. 21-16	送布牙	Feed Dog	1
40	427. 21-17	底板支柱	Bed Screw Stud SM9/32x28	1
41	427. 21-18	传感器安装板2	Rugulate Plate	1
42	427. 21-21	倒缝开关	Backstitch Switch	1
43	427. 21-22	针板	Needle Plate	1
44	12-60301622-01	倒缝开关固定螺钉	Screw M3,L=16	2
45	1197. 08-27	倒缝开关拉簧	Spring	1

## 索引 INDEX

部件/序号NO.	图号REF NO.	数量AMT.
2/ 75	11-00090620-01	2
2/ 72	11-00110620-01	1
4/ 9	11-00110620-01	2
9/ 12	11-00160720-01	4
1/ 40	11-10090720-01	1
2/ 11	11-10090820-01	4
3/ 27	11-10090920-01	3
7/ 27	11-10110821-01	4
10/ 46	11-10111220-01	1
4/ 25	11-10151320-01	1
1/ 41	11-20110850-01	7
2/ 65	11-20110850-01	2
10/ 45	11-20110850-01	1
5/ 18	11-30091020-01	1
12/ 11	11-40110525-01	(3)
17/3	11-40110525-01	-1
14/ 42	11-40110625-01	3
14/ 51	11-40110825-01	2
1/ 45	11-40110925-01	2
8/ 20	11-40110925-01	1
10/ 47	11-40110925-01	2
13/ 40	11-40110925-01	2
14/ 53	11-40111425-01	1
1/ 44	11-40120625-01	1
2/ 6	11-40120625-01	2
2/ 77	11-40120625-01	1
13/ 37	11-40120625-01	2
14/ 43	11-40120625-01	3
2/ 58	11-40120925-01	2
6/ 53	11-40120925-01	2
17/26	11-40120925-01	-6
1/ 57	11-40121025-01	3
2/ 69	11-40121025-01	16
12/ 20	11-40121025-01	4
1/ 58	11-40121225-01	1
4/ 14	11-40121225-01	1
4/ 28	11-40121225-01	3
17/11	11-40121425-01	-1
4/ 29	11-40121625-01	1
14/ 55	11-40121625-01	2
1/ 10	11-40150925-01	4
6/ 44	11-40150925-01	3
10/ 48	11-40150925-01	2
11/ 6	11-40150925-01	2
17/6	11-40151225-01	-2
3/ 20	11-600110820-01	4
6/ 13	11-600110820-01	4
1/ 38	11-60080420-01	1

部件/序号NO.	图号REF NO.	数量AMT.
14/ 20	42-05003000-00	0. 19
14/ 21	42-05003000-00	0. 475
14/ 22	42-05003000-00	0. 045
14/ 26	42-05003000-00	0. 045
14/ 27	42-05003000-00	0. 42
14/ 8	42-09007000-00	0. 41
14/ 10	42-09007000-00	0. 31
14/ 24	42-09007000-00	2
3/ 44	43-10250000-00	0. 15
1/ 59	101.01-11	1
2/ 71	101.01-17	1
5/ 10	101.04-02	1
14/ 54	101.08-28-01	1
15/ 5	101.09-10	(1)
15/ 4	101.09-10-00	1
15/ 26	101.09-15	(1)
15/ 20	101.09-15-00	1
15/ 23	101.09-17	(1)
15/ 24	101.09-18	(1)
15/ 22	101.09-19	(1)
15/ 25	101.09-20	(1)
16/ 1	101.11-01	1
20/ 9	101.12-01	(2)
20/ 8	101.12-02	(2)
20/ 7	101.12-03	(8)
20/ 2	101.12-15	1
20/ 3	101.12-16	1
20/ 4	101.12-17	1
20/ 17	101.12-21	1
7/ 20	109.01-18	1
6/ 8	1197.05-11	2
20/ 5	120. 09- 04	(2)
20/ 6	120. 09- 05	(2)
5/ 20	1211.04-07	1
2/ 40	1228.08-11	1
14/ 39	1228.08-12	21
14/ 38	1228.08-34	5
1/ 33	134.01-09	1
14/ 40	134.01-79	1
2/ 16	134.02-01	1
2/ 74	134.02-03	1
3/ 12	134.03-03	1
3/ 8	134.03-04	1
3/ 15	134.03-18	1
3/ 10	134.03-19	1
5/ 5	134.04-03	1
15/ 18	134.04-30	(2)
6/ 25	134.05-16	2
7/ 13	134.05-21	1
7/ 14	134.05-22	1

部件/序号NO.	图号REF NO.	数量AMT.
9/ 19	11-80160810-01	2
3/ 18	11-80180710-01	1
2/ 15	11-80621620-01	2
2/ 54	12-40201221-02	(2)
4/ 31	12-40250821-02	1
2/ 14	12-40300625-01	3
4/ 18	12-40300625-01	2
2/ 17	12-40400625-01	(3)
15/ 32	12- 40400625- 01	(2)
15/ 31	12- 40404025- 01	(2)
4/ 30	12-40501125-01	1
4/ 22	12-60401022-01	3
4/ 24	12-60401422-01	1
17/21	12-60501422-01	-1
17/24	12-60501422-01	-1
2/ 35	12-80401012-01	(2)
2/ 30	12-80500512-01	(1)
4/ 32	12-80500612-01	1
3/ 6	12-80501012-01	2
3/ 11	12-80600612-01	6
3/ 13	12-80600612-01	4
9/ 20	12-80600812-01	2
3/ 50	12-80601222-01	1
15/ 9	12-80603012-02	(2)
3/ 54	12-90501723-02	1
15/ 21	12-90601223-02	(1)
15/ 3	12- 90601833- 02	(2)
15/ 6	12-90602423-02	(2)
11/ 17	13-60113020-01	2
13/ 39	13-60113020-01	1
6/ 20	13-60123020-01	1
6/ 26	13-60153020-01	2
10/ 36	13-60153020-01	2
15/ 16	13-60153020-01	(2)
17/5	13-60153020-01	-2
17/10	13-60153020-01	-1
6/ 42	13-60184020-01	2
5/ 24	13-60623020-01	1
10/ 38	14-60302420-02	2
12/ 19	14-60302420-02	2
4/ 20	14-60403020-02	1
12/ 18	14-60403020-02	1
18/ 8	14-60603010-02	(1)
3/ 52	14-60603210-02	1
15/ 10	14-60605020-02	(2)
14/ 41	16-40501025-02	1
14/ 48	16-60502022-02	2
1/ 35	16-60502522-02	3

## 索引 INDEX

部件/序号NO.	图号REF NO.	数量AMT.
3/ 53	16-60502522-02	3
4/ 23	21-04212090-02	2
2/ 18	21-04308090-01	(1)
14/ 52	21-04608080-01	3
4/ 6	21-05205080-01	1
10/ 37	21-06210132-03	1
15/ 19	21-06410131-01	(2)
1/ 47	21-06510110-01	1
3/ 51	21-07205100-01	1
6/ 47	21-07310122-03	2
17/16	21-10010181-01	-1
7/ 25	21-16515230-01	3
11/ 14	21-17030300-02	(1)
3/ 55	22-05000000-08	1
1/ 48	23-06405110-09	1
6/ 52	24-03000000-08	1
10/ 39	24-04000000-08	2
6/ 17	24-05000000-08	1
10/ 40	24-05000000-08	1
5/ 26	24-06000000-08	1
10/ 41	24-06000000-08	2
2/ 36	24-08000000-08	(1)
15/ 17	24-10000000-09	(3)
11/ 15	24-12000000-08	(1)
8/ 18	31-03508000-09	1
5/ 27	31-03618000-09	1
14/ 6	31-03618000-09	2
8/ 19	31-04818000-09	1
14/ 37	31-04818000-09	1
8/ 27	31-06718000-09	3
1/ 31	31-09018000-09	1
14/ 47	31-09624000-09	2
1/ 29	31-14018000-09	1
8/ 26	31-17518000-09	1
2/ 62	31-20024000-09	1
14/ 32	31-20024000-09	1
8/ 10	32-08040140-09	2
8/ 11	32-08070180-09	2
6/ 58	32-09470190-09	1
9/ 16	32-09740180-09	2
9/ 15	32-10080260-09	2
8/ 9	32-12035180-09	2
6/ 43	32-14170220-09	1
6/ 14	32-24060350-09	1
14/ 11	42-05003000-00	0.16
14/ 12	42-05003000-00	0.175
14/ 13	42-05003000-00	0.11
14/ 14	42-05003000-00	0.195
14/ 15	42-05003000-00	0.07
14/ 16	42-05003000-00	1.06

部件/序号NO.	图号REF NO.	数量AMT.
14/ 20	42-05003000-00	0.19
14/ 21	42-05003000-00	0.475
14/ 22	42-05003000-00	0.045
14/ 26	42-05003000-00	0.045
14/ 27	42-05003000-00	0.42
14/ 8	42-09007000-00	0.41
14/ 10	42-09007000-00	0.31
14/ 24	42-09007000-00	2
3/ 44	43-10250000-00	0.15
2/ 71	101.01-17	1
5/ 10	101.04-02	1
14/ 54	101.08-28-01	1
15/ 5	101.09-10	(1)
15/ 4	101.09-10-00	1
15/ 26	101.09-15	(1)
15/ 20	101.09-15-00	1
15/ 23	101.09-17	(1)
15/ 24	101.09-18	(1)
15/ 22	101.09-19	(1)
15/ 25	101.09-20	(1)
16/ 1	101.11-01	1
20/ 9	101.12-01	(2)
20/ 8	101.12-02	(2)
20/ 7	101.12-03	(8)
20/ 2	101.12-15	1
20/ 3	101.12-16	1
20/ 4	101.12-17	1
20/ 17	101.12-21	1
7/ 20	109.01-18	1
6/ 8	1197.05-11	2
20/ 5	120.09-04	(2)
20/ 6	120.09-05	(2)
5/ 20	1211.04-07	1
2/ 40	1228.08-11	1
14/ 39	1228.08-12	21
14/ 38	1228.08-34	5
1/ 33	134.01-09	1
1/ 59	134.01-36	1
14/ 40	134.01-79	1
2/ 16	134.02-01	1
2/ 74	134.02-03	1
3/ 12	134.03-03	1
3/ 8	134.03-04	1
3/ 15	134.03-18	1
3/ 10	134.03-19	1
5/ 5	134.04-03	1
15/ 18	134.04-30	(2)
6/ 25	134.05-16	2
7/ 13	134.05-21	1
7/ 14	134.05-22	1

部件/序号NO.	图号REF NO.	数量AMT.
7/ 15	134.05-23	1
7/ 16	134.05-24	1
15/ 7	134.12-03	1
15/ 8	134.12-03-01	(1)
15/ 11	134.12-07	(1)
15/ 12	134.12-08	(1)
15/ 13	134.12-09	(1)
15/ 14	134.12-10	(1)
15/ 15	134.12-11	(1)
20/ 10	427.20-11	1
20/ 15	279.11-18	1
16/ 8	279.12-00-01	-1
16/ 10	279.12-00-02	-1
16/ 7	279.12-00-03	-2
16/ 6	279.12-00-04	-2
16/ 9	279.12-00-08	-1
16/ 13	279.12-00-14	-2
16/ 11	279.12-00-15	-1
16/ 12	279.12-00-16	-2
16/ 14	279.12-00-19	-1
16/ 18	279.12-00-20	-2
16/ 15	279.12-00-21	-2
16/ 2	279.12-00-22	-2
16/ 3	279.12-00-23	-2
16/ 4	279.12-00-24	-2
16/ 5	279.12-00-25	-2
16/ 16	279.12-00-26	-2
16/ 17	279.12-00-27	-2
20/ 11	301.20-13	1
6/ 32	304.08-08	1
1/ 3	423.01-03	1
1/ 36	423.01-04	1
1/ 52	423.01-06	1
1/ 42	423.01-07	1
1/ 46	423.01-08	1
1/ 43	423.01-09	1
1/ 50	423.01-10	1
2/ 63	423.01-10	1
2/ 66	423.01-11	1
2/ 39	423.01-13	1
1/ 39	423.01-14	1
1/ 37	423.01-17	1
2/ 67	423.01-21	1
1/ 54	423.01-22	1
1/ 13	423.01-24	1
1/ 49	423.01-29	1
1/ 56	423.01-36	2
1/ 23	423.01-44-02	(1)
1/ 19	423.01-44-10	(4)
1/ 18	423.01-44-11	(1)

## 索引 INDEX

部件/序号NO.	图号REF NO.	数量AMT.
1/ 51	423.01-47-01	1
2/ 9	423.02-03	1
2/ 47	423.02-09	1
2/ 24	423.03-01-06	(1)
2/ 34	423.03-01-12	(1)
2/ 41	423.03-07	(1)
2/ 42	423.03-07-01	(1)
2/ 43	423.03-07-02	(1)
2/ 44	423.03-07-03	(2)
2/ 45	423.03-07-04	(1)
2/ 46	423.03-07-05	(1)
3/ 31	423.04-06	1
3/ 25	423.04-13	1
3/ 9	423.04-14	1
3/ 26	423.04-20	1
3/ 29	423.04-35	1
2/ 10	423.07-13	1
6/ 55	423.07-17	1
20/ 13	423.07-19	1
17/34	423.07-22	-1
5/ 16	423.08-02	1
5/ 21	423.08-06	1
5/ 12	423.08-08	1
5/ 13	423.08-09	1
5/ 15	423.08-11	1
5/ 14	423.08-12	1
5/ 9	423.08-14	1
5/ 22	423.08-16	1
5/ 17	423.08-17	1
5/ 23	423.08-20	1
5/ 30	423.08-23	1
5/ 29	423.08-27	1
5/ 19	423.08-29	1
5/ 8	423.08-32	1
5/ 7	423.08-33	1
6/ 19	423.09-37	1
6/ 49	423.10-03	1
6/ 46	423.10-09	1
6/ 45	423.10-11	1
6/ 48	423.10-12	1
6/ 40	423.10-21	1
6/ 41	423.10-26	2
6/ 11	423.10-30	1
6/ 31	423.10-36	1
6/ 39	423.10-52	2
8/ 34	423.11-08	1
8/ 14	423.11-09	1
20/ 1	423.11-09	1
8/ 15	423.11-20	1
8/ 17	423.11-31	1

部件/序号NO.	图号REF NO.	数量AMT.
8/ 16	423.11-32	1
8/ 33	423.11-33	1
20/ 12	423.16-10	1
10/ 2	424.17-01-02	1
10/ 9	424.17-01-03	1
10/ 13	424.17-01-05	1
10/ 3	424.17-01-07	1
10/ 14	424.17-01-08	1
10/ 16	424.17-01-09	1
10/ 42	424.17-01-11	1
10/ 44	424.17-01-13	3
17/19	424.17-01-17	-2
10/ 6	424.17-01-20	1
10/ 7	424.17-01-21	1
10/ 8	424.17-01-22	1
10/ 18	424.17-02	1
10/ 19	424.17-02-01	(1)
10/ 20	424.17-02-02	(1)
10/ 21	424.17-02-03	(1)
10/ 22	424.17-02-04	(1)
10/ 23	424.17-02-05	(1)
10/ 24	424.17-02-06	(1)
10/ 25	424.17-02-07	(1)
10/ 26	424.17-02-08	(1)
10/ 27	424.17-02-09	(1)
10/ 30	424.17-02-10	(2)
10/ 31	424.17-02-12	(1)
10/ 29	424.17-02-14	(2)
10/ 32	424.17-02-15	(1)
10/ 33	424.17-02-16	(1)
10/ 11	424.17-04	1
10/ 17	424.17-05	1
10/ 12	424.17-07	1
10/ 15	424.17-11	1
10/ 43	424.17-12	1
12/ 15	424.17-20-02	1
13/ 1	424.20-01	1
13/ 2	424.20-01-01	(1)
13/ 3	424.20-01-01-01	(1)
13/ 4	424.20-01-01-02	(2)
13/ 5	424.20-01-01-03	(2)
13/ 6	424.20-01-02	(1)
13/ 7	424.20-01-02-01	(1)
13/ 8	424.20-01-02-02	(1)
13/ 9	424.20-01-02-03	(1)
13/ 10	424.20-03	(1)
13/ 11	424.20-04	(1)
13/ 12	424.20-05	(1)
13/ 13	424.20-06	(2)
13/ 14	424.20-07	(2)

部件/序号NO.	图号REF NO.	数量AMT.
13/ 15	424.20-08	1
13/ 16	424.20-08-01	(1)
13/ 17	424.20-08-02	(1)
13/ 18	424.20-08-03	(1)
13/ 19	424.20-08-04	(1)
13/ 20	424.20-08-05	(1)
13/ 21	424.20-08-06	(1)
13/ 22	424.20-08-07	(1)
13/ 23	424.20-08-08	(1)
13/ 24	424.20-08-09	(1)
13/ 25	424.20-08-10	(1)
13/ 26	424.20-08-11	(2)
13/ 27	424.20-08-12	(1)
13/ 28	424.20-08-13	(1)
13/ 29	424.20-08-14	(1)
13/ 30	424.20-08-15	(1)
13/ 31	424.20-08-16	(1)
13/ 32	424.20-08-17	(4)
13/ 33	424.20-08-18	(1)
13/ 34	424.20-08-19	(4)
13/ 35	424.20-08-20	(1)
13/ 36	424.20-08-21	(1)
13/ 38	424.20-10	1
13/ 41	424.20-13	2
2/ 64	424.21-01	1
5/ 11	424.21-03	1
1/ 8	424.21-06	2
17/7	424.22-01-01-05-01	-1
17/8	424.22-01-02	-1
17/12	424.22-01-06	-1
17/13	424.22-01-07	-1
17/14	424.22-01-08	-2
17/15	424.22-01-09	-2
17/17	424.22-01-11	-1
17/18	424.22-01-12	-1
17/20	424.22-01-14	-1
17/22	424.22-01-16	-1
17/23	424.22-01-17	-1
17/25	424.22-01-19	-1
17/27	424.22-01-19-02	-1
17/28	424.22-01-19-03	-1
17/29	424.22-01-19-04	-1
17/30	424.22-01-19-05	-1
17/31	424.22-01-19-06	-1
17/32	424.22-01-19-07	-2
17/33	424.22-01-20	-1
17/2	424.22-01-22	-1
20/ 14	424.23-09	1
14/ 17	501.01-04	1
15/ 2	501.01-22	1

## 索引 INDEX

部件/序号NO.	图号REF NO.	数量AMT.
1/ 55	501.01-45	4
14/ 56	530.01-21	1
1/ 1	427.01-01	1
1/ 2	427.01-02	1
1/ 4	427.01-03	1
1/ 5	427.01-04	1
1/ 6	427.01-05	1
1/ 9	427.01-07	1
1/ 11	427.01-08	1
1/ 14	427.01-09	1
1/ 15	427.01-09-01	(1)
1/ 16	427.01-09-02	(1)
1/ 17	427.01-09-03	(1)
1/ 20	427.01-09-04	(1)
1/ 21	427.01-09-05	(1)
1/ 22	427.01-09-06	(1)
1/ 24	427.01-09-07	(1)
1/ 25	427.01-09-08	(1)
1/ 27	427.01-10	1
1/ 28	427.01-11	1
1/ 30	427.01-12	1
1/ 32	427.01-13	1
1/ 34	427.01-14	1
1/ 53	427.01-15	1
1/ 60	427.01-16	1
1/ 61	427.01-17	1
2/ 1	427.02-01	1
2/ 2	427.02-02	1
2/ 3	427.02-03	1
2/ 4	427.02-04	1
2/ 5	427.02-05	1
2/ 7	427.02-06	1
2/ 8	427.02-07	1
2/ 12	427.02-08	(1)
2/ 13	427.02-09	(3)
2/ 19	427.02-10-01	(1)
2/ 20	427.02-10-02	(1)
2/ 21	427.02-10-03	(1)
2/ 22	427.02-10-04	(1)
2/ 23	427.02-10-05	(1)
2/ 25	427.02-10-07	(1)
2/ 26	427.02-10-08	(1)
2/ 27	427.02-10-09	(1)
2/ 28	427.02-10-10	(1)
2/ 29	427.02-10-11	(2)
2/ 31	427.02-10-12	(1)
2/ 32	427.02-10-13	(1)
2/ 33	427.02-10-14	(1)
2/ 37	427.02-10-15	(1)
2/ 38	427.02-10-16	(1)

部件/序号NO.	图号REF NO.	数量AMT.
2/ 48	427.02-11	1
2/ 49	427.02-11-01	(1)
2/ 50	427.02-11-02	(1)
2/ 51	427.02-11-03	(1)
2/ 52	427.02-11-04	(1)
2/ 53	427.02-11-05	(1)
2/ 55	427.02-11-07	(1)
2/ 56	427.02-11-08	(1)
2/ 57	427.02-11-09	(1)
12/ 3	427.02-11-09	(1)
12/ 22	427.02-11-09	1
14/ 50	427.02-11-09	1
2/ 59	427.02-12	1
2/ 60	427.02-13	1
2/ 61	427.02-14	1
2/ 70	427.02-15	1
2/ 76	427.02-16	1
3/ 1	427.03-01	1
3/ 2	427.03-02	1
3/ 3	427.03-03	1
3/ 4	427.03-04	1
3/ 5	427.03-05	1
3/ 7	427.03-06	1
3/ 14	427.03-11	1
3/ 19	427.03-13	1
3/ 21	427.03-14	1
3/ 22	427.03-15	1
3/ 23	427.03-15-01	(2)
3/ 24	427.03-15-02	(1)
3/ 28	427.03-16	1
3/ 33	427.03-17	1
3/ 35	427.03-18	1
3/ 36	427.03-18-01	(1)
3/ 37	427.03-18-02	(1)
3/ 38	427.03-18-03	(1)
3/ 39	427.03-18-04	(2)
3/ 41	427.03-18-05	(1)
3/ 42	427.03-18-06	(1)
3/ 43	427.03-19	1
3/ 45	427.03-21	1
3/ 46	427.03-22	2
3/ 47	427.03-23	2
3/ 48	427.03-24	1
3/ 49	427.03-25	1
3/ 56	427.03-26	1
20/ 16	427.03-26	3
4/ 1	427.04-01	1
4/ 2	427.04-02	1
4/ 3	427.04-03	1
4/ 4	427.04-04	1

部件/序号NO.	图号REF NO.	数量AMT.
4/ 5	427.04-05	2
4/ 7	427.04-06	1
4/ 8	427.04-07	1
4/ 11	427.04-08	1
4/ 12	427.04-09	1
4/ 15	427.04-10	1
4/ 16	427.04-11	1
4/ 17	427.04-12	1
4/ 19	427.04-13	1
4/ 21	427.04-14	1
4/ 27	427.04-15	1
5/ 1	427.05-01	1
5/ 2	427.05-02	1
5/ 3	427.05-03	1
5/ 4	427.05-04	1
5/ 6	427.05-05	1
5/ 28	427.05-06	1
5/ 31	427.05-07	1
6/ 1	427.06-01	1
6/ 2	427.06-02	1
6/ 3	427.06-03	1
6/ 4	427.06-04	1
6/ 5	427.06-05	1
6/ 6	427.06-06	1
6/ 7	427.06-07	1
6/ 10	427.06-09	1
6/ 12	427.06-10	2
6/ 15	427.06-11	1
6/ 18	427.06-12	1
6/ 22	427.06-13	1
9/ 13	427.06-13	1
6/ 24	427.06-14	1
6/ 27	427.06-16	1
6/ 29	427.06-17	1
6/ 30	427.06-18	1
6/ 33	427.06-19	1
6/ 36	427.06-20	1
6/ 37	427.06-21	1
6/ 50	427.06-22	1
6/ 57	427.06-23	1
6/ 59	427.06-24	1
7/ 1	427.07-01	1
7/ 2	427.07-02	1
7/ 3	427.07-03	1
7/ 4	427.07-04	2
7/ 5	427.07-05	1
7/ 6	427.07-06	2
7/ 7	427.07-07	2
7/ 8	427.07-08	1
7/ 9	427.07-09	1



## 索引 INDEX

部件/序号NO.	图号REF NO.	数量AMT.
7/ 11	427.07-10	1
7/ 18	427.07-11	1
7/ 21	427.07-12	1
7/ 26	427.07-13	2
7/ 10	427.07-14	1
8/ 1	427.08-01	1
8/ 2	427.08-02	2
8/ 3	427.08-03	2
8/ 4	427.08-04	1
8/ 5	427.08-05	1
8/ 6	427.08-06	1
8/ 7	427.08-07	1
8/ 8	427.08-08	2
8/ 12	427.08-09	1
8/ 13	427.08-10	1
8/ 23	427.08-11	1
8/ 24	427.08-11-01	(1)
8/ 25	427.08-11-02	(7)
8/ 28	427.08-12	3
8/ 29	427.08-13	3
8/ 30	427.08-14	3
8/ 31	427.08-15	1
14/ 45	427.08-15	2
9/ 1	427.09-01	1
9/ 2	427.09-02	1
9/ 3	427.09-03	1
9/ 4	427.09-04	1
9/ 5	427.09-05	1
9/ 6	427.09-06	1
9/ 7	427.09-07	1
9/ 8	427.09-08	1
9/ 9	427.09-09	1
9/ 10	427.09-10	1
9/ 11	427.09-11	1
9/ 17	427.09-13	2
10/ 1	427.10-01	1
10/ 4	427.10-02	1
10/ 5	427.10-03	1
10/ 10	427.10-05	1
10/ 34	427.10-06	1
10/ 35	427.10-07	2
10/ 50	427.10-08	1
11/ 1	427.11-01	1
11/ 2	427.11-02	1
11/ 3	427.11-03	2
11/ 4	427.11-04	1
11/ 5	427.11-05	2
11/ 7	427.11-06	1
11/ 8	427.11-06-01	(1)
11/ 10	427.11-06-02	(1)

部件/序号NO.	图号REF NO.	数量AMT.
11/ 11	427.11-06-03	(1)
11/ 12	427.11-06-04	(1)
11/ 13	427.11-06-05	(1)
11/ 16	427.11-06-06	(2)
11/ 18	427.11-07	(1)
11/ 19	427.11-08	1
11/ 20	427.11-08-01	(1)
11/ 21	427.11-08-02	(1)
11/ 22	427.11-09	1
11/ 23	427.11-10	1
12/ 1	427.12-01	1
12/ 2	427.12-02	1
12/ 4	427.12-02-01	(1)
12/ 5	427.12-02-02	(1)
12/ 6	427.12-02-03	(1)
12/ 7	427.12-02-04	(1)
12/ 8	427.12-02-05	(1)
12/ 9	427.12-02-06	(1)
12/ 12	427.12-03	(1)
12/ 13	427.12-04	1
12/ 14	427.12-05	1
12/ 16	427.12-06	1
12/ 17	427.12-07	2
12/ 21	427.12-08	1
14/ 1	427.14-01	1
14/ 2	427.14-02	1
14/ 3	427.14-03	1
14/ 4	427.14-04	2
14/ 5	427.14-05	11
14/ 7	427.14-06	1
14/ 9	427.14-08	1
14/ 18	427.14-17	1
14/ 19	427.14-18	1
14/ 23	427.14-22	1
14/ 25	427.14-24	1
14/ 28	427.14-27	1
14/ 29	427.14-28	1
14/ 30	427.14-29	1
14/ 31	427.14-30	1
14/ 33	427.14-31	1
14/ 34	427.14-32	1
14/ 35	427.14-33	1
14/ 36	427.14-34	1
14/ 44	427.14-38	3
15/ 1	427.15-01	(1)
15/ 27	427.15-02	(1)
15/ 28	427.15-03	(2)
15/ 29	427.15-04	(2)
15/ 30	427.15-05	(1)
17/1	427.17-01	1

部件/序号NO.	图号REF NO.	数量AMT.
17/4	427.17-01-01	-1
17/9	427.17-01-02	-1
18/ 1	427.18-01	1
18/ 2	427.18-01-01	(1)
18/ 3	427.18-01-02	(1)
18/ 4	427.18-02	1
18/ 5	427.18-02-01	(1)
18/ 6	427.18-02-02	(1)
18/ 7	427.18-02-03	(1)
18/ 9	427.18-02-04	(2)
19/ 1	427.19-01	1
19/ 2	427.19-02	1
19/ 3	427.19-03	1
19/ 4	427.19-04	1
19/ 5	427.19-05	1
19/ 6	427.19-06	1
20/ 18	427.20-05	1
21/1	427. 21-01	1
21/2	427. 21-02	1
21/3	14-60093020-01	1
21/4	21-04508080-01	2
21/5	16-40400825-02	2
21/6	427. 21-03	1
21/7	427. 21-04	1
21/8	12-40250821-02	1
21/9	12-60400822-02	1
21/10	427. 21-05	1
21/11	12-60402522-01	2
21/12	12-60401422-01	2
21/13	14-60403020-02	4
21/14	427. 21-06	1
21/15	134. 01-79	4
21/16	16-40400825-02	4
21/17	427. 21-07	1
21/18	427. 21-08	1
21/19	12-60300622-02	1
21/20	12-80500612-01	1
21/21	12-60501622-01	1
21/22	427. 21-09	1
21/23	427. 04-03	1
21/24	427. 21-10	1
21/25	427. 21-11	1
21/26	12-80500612-01	1
21/27	11-70111920-01	2
21/28	11-60151522-01	3
21/29	21-06510110-01	3
21/30	427. 21-12	1
21/31	427. 21-13	1
21/32	423. 09-19	1
21/33	11-60121820-01	1



## 索引 INDEX

部件/序号NO.	图号REF NO.	数量 AMT.
21/34	109.01-18	1
21/35	134.05-24	1
21/36	11-60121620-01	2
21/37	427.21-14	1
21/38	427.21-15	1
21/39	427.21-16	1
21/40	427.21-17	1
21/41	427.21-18	1
21/42	427.21-21	1
21/43	427.21-22	1
21/44	12-60301622-01	2
21/45	1197.08-27	1
21/46	427.21-19	(1)
21/47	427.21-20	(1)

产品标准号: Q/ZBF 44-2009

获行业首家  全国质量奖

GEMSY GAINED CHINA QUALITY AWARD -- THE FIRST ONE TO WIN THIS AWARD IN SEWING MACHINE FIELD

全国服务热线: 800-8576-822

SERVICE HOTLINE: 800-8576-822

**GEMSY 宝石**  **中国驰名商标**  **中国名牌产品**  **中国出口名牌**  **全国用户满意产品**         

地址: 中国浙江省台州市东环大道638号 P.C : 318000

ADD : NO.638 DONGHUAN ROAD,TAIZHOU,ZHEJIANG,CHINA

国内营销部: DOMESTIC SALES DEPARTMENT

国际贸易部: INTERNATIONAL TRADE DEPARTMENT

TEL: 0576-88201401 88202041

TEL : 0086-576-88201479 88201471 88207338

FAX: 0576-88202667 88203211

FAX : 0086-576-88202667 88203211

Http://www.gemtsy.com

E-mail : gemtsy@gemtsy.com