

**GEM5590 SERIES
GEM8900 SERIES
HIGH SPEED SINGLE NEEDLE
LOCKSTITCH MACHINE
高速单针平缝机**

使用说明书 & 零件样本
Operation Instruction & Parts Book

为了安全地使用，请您在使用之前一定阅读本使用说明书。另外，请您注意保管本使用说明书，以便随时查阅；零件更改设计时，恕不另行通知。

Read safety instructions carefully and understand them before using. Retain this Operation Instruction for future reference. Excuse for not noticement in advance while the design of the sparepart has to be changed.

非常感谢您购买本公司的工业缝纫机。在使用缝纫机之前，请仔细阅读<为了您的安全使用>和使用说明书。

工业缝纫机的特性之一，是要在机针和旋梭等运动零部件附近进行操作，而这些零部件很容易引起受伤的危险，所以请在接受过培训的人员或有熟练操作技术的人员的指导下，正确地使用本缝纫机。

为了您的安全使用

1. 安全使用的标记及其意义

本使用说明书及产品所使用的标记和图案记号是为了您的安全而正确地使用本产品，防止您及他人受到危害和损害。

表示方法及含义如下：

说明



危险

如果忽视此标记而进行了错误的操作，必将导致人员死亡或重伤。



注意

如果忽视此标记而进行了错误的操作，有可能会引起人员受伤及造成设备损坏。

图案和符号



符号△表示“应注意事项”。
三角中的图案表示必须要注意的内容。
(如左图的符号表示“注意受伤”。)



符号○表示“禁止”。



符号●表示“必须”。
圆圈中的图案表示必须要做的内容。
(如左图的符号表示“必须接地”。)

Thank you very much for buying our sewing machine. Before using your new machine, please read the safety instructions below and the explanations given in the Operation Instruction.



With industrial sewing machines, it is normal to carry out work while positioned directly in front of moving parts such as the needle and thread take-up lever, and consequently there is always a danger of injury that can be caused by these parts. Follow the instructions from training personnel and instructors regarding safe and correct operation before operating the machine so that you will know how to use it correctly.

SAFETY INSTRUCTIONS

1. Safety indications and their meanings

This instruction manual and the indications and symbols that are used on the machine itself are provided in order to ensure safe operation of this machine and to prevent accidents and injury to yourself or other people. The meaning of these indications and symbols are given below.

Indications

 DANGER	The instructions which follow this term indicate situations where failure to follow the instructions will almost certainly result in death or severe injury.
 CAUTION	The instructions which follow this term indicate situations where failure to follow the instructions could cause injury when using the machine or physical damage to equipment and surroundings.

Symbols



..... This symbol (\triangle) indicates something that you should be careful of. The picture inside the triangle indicates the nature of the caution that must be taken. (For example, the symbol at left means "beware of injury".)



..... This symbol (\otimes) indicates something that you must not do.



..... This symbol (\bullet) indicates something that you must do. The picture inside the circle indicates the nature of the thing that must be done. (For example, the symbol at left means "you must make the ground connection".)

安全注意事项

危险



打开控制箱盖时，必须先关闭电源开关并将电源插头从插座上拔下，至少等待5分钟后，再打开控制箱盖。触摸带有高电压的区域将会造成人员伤亡。

注意

使用环境



应避免在强电气干扰源(如高频焊机)的附近使用缝纫机。
强电气干扰源可能会影响缝纫机的正确操作。



缝纫机的最佳工作环境是相对湿度在45%-85%的范围内，干燥或潮湿的环境均会影响缝纫机的正确操作。



电源电压的波动应该在额定电压的±10%以内的环境下使用。
电压大幅度的波动会影响缝纫机的正确操作。



使用时应避免暴露于直射的阳光下。
直射的阳光会影响缝纫机的正确操作。



电源容量应大于缝纫机的消耗能量。电源容量不足会影响缝纫机的正确操作。



万一发生雷电暴风雨时，关闭电源开关，并将电源插头从插座上拔下。雷电可能会影响缝纫机的正确操作。



环境温度应在5°C-35°C的范围内使用。
低温或高温会影响缝纫机的正确操作。

安装



请让受过培训的技术人员来安装缝纫机。



固定电缆时，不要过度弯曲电缆或用卡钉固定得过紧，会引起火灾或触电的危险。



请委托购买商店或电气专业人员进行电气配线。



如果使用带小脚轮的工作台，则应该固定小脚轮，使其不能移动。



缝纫机重约35公斤，安装工作必须由两人以上来完成。



缝纫机头倒下或竖起时，请用双手进行操作。单手操作时因缝纫机的重量万一滑落易导致受伤。



在安装完成前，请不要连接电源，如果误按启动开关，缝纫机动作会导致受伤。



使用润滑油或黄油时，务必戴好保护眼镜和保护手套等，以防润滑油落入眼中或沾在皮肤上，这是引起发炎的原因。
另外，润滑油或黄油不能饮用，否则会引起呕吐和腹泻。
将油放在小孩拿不到的地方。



请在切断电源后，再拔掉电源插头。不然易成为控制箱发生故障的原因。



必须接地。接驳地线不牢固，是造成触电或误动作的原因。

Notes On Safety








DANGER













Wait at least 5 minutes after turning off the power switch and disconnecting the power cord from the wall outlet before opening the face plate of the control box. Touching areas where high voltages are present can result in severe injury.

CAUTION

Environmental requirements

-  Use the sewing machine in an area which is free from sources of strong electrical noise such as high-frequency welders. Sources of strong electrical noise may cause problems with correct operation.
-  Any fluctuations in the power supply voltages should be within $\pm 10\%$ of the rated voltage for the machine. Voltage fluctuations which are greater than this may cause problems with correct operation.
-  The power supply capacity should be greater than the requirements for the sewing machine's electrical consumption. Insufficient power supply capacity may cause problems with correct operation.
-  The ambient temperature should be within the range of 5°C to 35°C during use. Temperatures which are lower or higher than this may cause problems with correct operation.
-  The relative humidity should be within the range of 45% to 85% during use, and no dew formation should occur in any devices. Excessively dry or humid environments and dew formation may cause problems with correct operation.
-  Avoid exposure to direct sunlight during use. Exposure to direct sunlight may cause problems with correct operation.
-  In the event of an electrical storm, turn off the power and disconnect the power cord from the wall outlet. Lightning may cause problems with correct operation.

Installation

-  Machine installation should only be carried out by a qualified technician.
-  Contact your dealer or a qualified electrician for any electrical work that may need to be done.
-  The sewing machine weighs approximately 35kg. The installation should be carried out by two or more people.
-  Don't connect the power cord until installation is complete, otherwise the machine may operate if the foot switch is depressed by mistake, which could result in injury.
-  Be sure to connect the ground. If the ground connection is not secure, you run a high risk of receiving a serious electric shock, and problems with correct operation may also occur.
-  Install the safety covers to the machine head and motor.
-  Hold the machine head with both hands when tilting it back or returning it to its original position. Furthermore, after tilting back the machine head, do not push the face plate side or the pulley side from above, as this could cause the machine head to topple over, which may result in personal injury or damage to the machine.
-  All cords should be secured at least 25mm away from any moving parts. Furthermore, do not excessively bend the cords or secure them too firmly with staples, otherwise there is the danger that fire or electric shocks could occur.
-  If using a work table which has casters, the casters should be secured in such a way so that they cannot move.
-  Be sure to wear protective goggles and gloves when handling the lubricating oil and grease, so that they don't get into your eyes or onto your skin, otherwise inflammation can result. Furthermore, do not drink the oil or eat the grease under any circumstances, as they can cause vomiting and diarrhoea. Keep the oil out of the reach children.

安全注意事项

注意

缝纫



本缝纫机仅限于接受过安全操作培训的人员使用。



为了安全起见，在使用本缝纫机之前，请安装保护装置。如果未安装这些安全装置就使用缝纫机，会造成人身伤害及缝纫机损坏。



本缝纫机不能用于除缝纫以外的任何其他用途。



缝纫过程中不要触摸任何活动部件或将物件靠在运动部件上，因为这会导致受伤或缝纫机损坏。



发生下列情况时，请切断电源。否则误按动启动开关，缝纫机动作会导致受伤。

- 机针穿线时
- 更换机针或梭芯时
- 缝纫机不使用，或人离开缝纫机时



如果缝纫机操作中发生误动作，或者听到异常的噪声或闻到异常的气味，应立即切断电源。然后与购买商店或受过培训的技术人员联系。



如果使用带小脚轮的工作台，则应该固定小脚轮，使其不能移动。



如果缝纫机出现故障时，请与购买商店或受过培训的技术人员联系。

清洁



在开始清洁作业前，请切断电源。如果误踩了脚开关，缝纫机动作会导致人员受伤。



使用润滑油或黄油时，务必戴好保护眼镜和保护手套等，以防润滑油落入眼中或沾在皮肤上，这是引起发炎的原因，另外，润滑油或黄油不能饮用，否则会引起呕吐和腹泻。将油放在小孩拿不到的地方。

Notes On Safety

CAUTION

Sewing



This sewing machine should only be used by operators who have received the necessary training in safe use beforehand.



If using a work table which has casters, the casters should be secured in such a way so that they cannot move.



The sewing machine should not be used for any applications other than sewing.



Attach all safety devices before using the sewing machine. If the machine is used without these devices attached, injury may result.



Be sure to wear protective goggles when using the machine.
If goggles are not worn, there is the danger that if a needle breaks, parts of the broken needle may enter your eyes and injury may result.



Do not touch any of the moving parts or press any objects against the machine while sewing as this may result in personal injury or damage to the machine.



Turn off the power switch at the following times, otherwise the machine may operate if the foot switch is depressed by mistake, which could result in injury.

- When threading the needle
- When replacing the needle and bobbin
- When not using the machine and when leaving the machine unattended



If an error occurs in machine operation, or if abnormal noises or smells are noticed, immediately turn off the power switch. Then contact your nearest dealer or a qualified technician.



If the machine develops a problem, contact your nearest dealer or a qualified technician.

Cleaning



Turn off the power switch before carrying out cleaning, otherwise the machine may operate if the foot switch is depressed by mistake, which could result in injury.

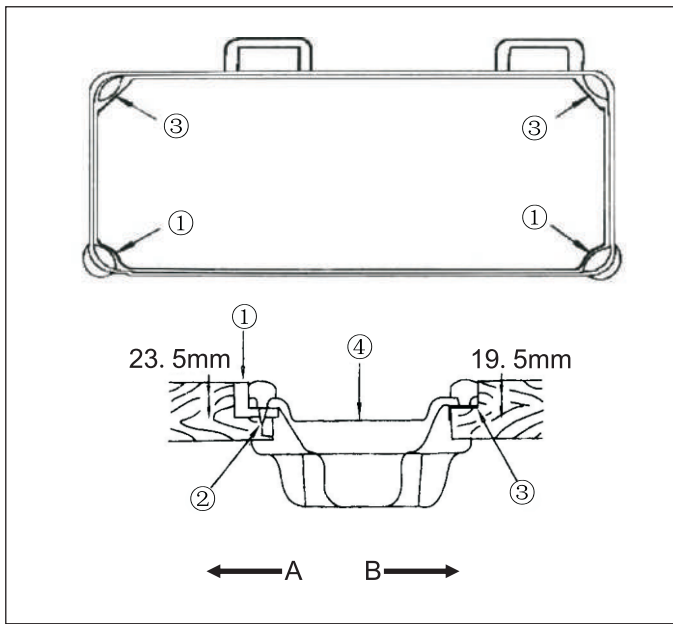


Be sure to wear protective goggles and gloves when handling the lubricating oil and grease, so that they do not get into your eyes or onto your skin, otherwise inflammation can result. Furthermore, do not drink the oil or eat the grease under any circumstances, as they can cause vomiting and diarrhoea. Keep the oil out of the reach of children.

目录 CONTENTS

1. 油盘的安装 Installation	1
2. 机器的润滑 Lubrication	2
3. 旋梭油量的调整 Adjusting the amount of oil supplied to the hook	3
4. 机针的装法 Attaching the needle	4
5. 梭心的安装方法 Setting the bobbin into the bobbin case	4
6. 面线的穿法 Threading the machine head	5
7. 针距的调节 Adjusting the stitch length	5
8. 缝线张力 Thread tension	6
9. 挑线簧 Thread take-up spring	6
10. 压脚扳手 Hand lifter	7
11. 压脚压力的调节 Presser foot pressure	7
12. 送料相位的调节 Adjusting the feed timing	7
13. 送料牙的高度 Height of the feed dog	8
14. 机针与旋梭的关系 Needle-to-hook relationship	8
15. 压脚高度的调节 Adjusting the height of the presser foot	9
16. 挑线杆挑线量的调节 Adjusting the thread take-up stroke	9
17. 皮带罩和绕线器的装法 Installing the belt cover and bobbin winder	10
18. 膝提高度的调节 Adjusting the height of the knee lifter	10
19. 保养 Cleaning	11
20. 规格 Specifications	13

1. 油盘的安装 Installation



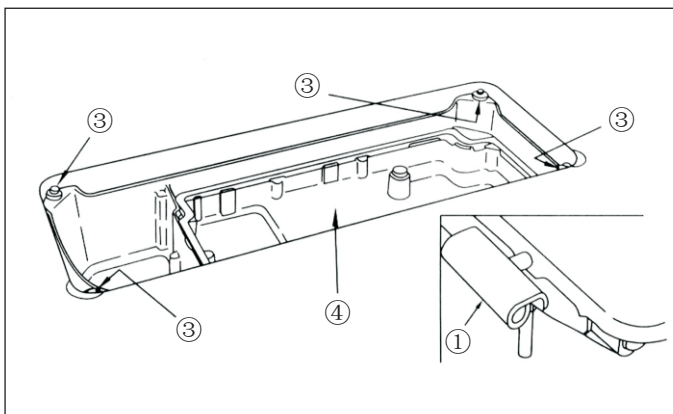
油盘的安装

- 1) 油盘应搁在工作台凹槽四角。
- 2) 如图所示, 将两只油盘支座①用油盘座钉②固定在A的一边(朝操作者一边), 将两只油盘支座③用油盘座钉②固定在B一边(用机头连接钩接合一边), 最后把油盘④放在其上。

EN

Installing the oil pan

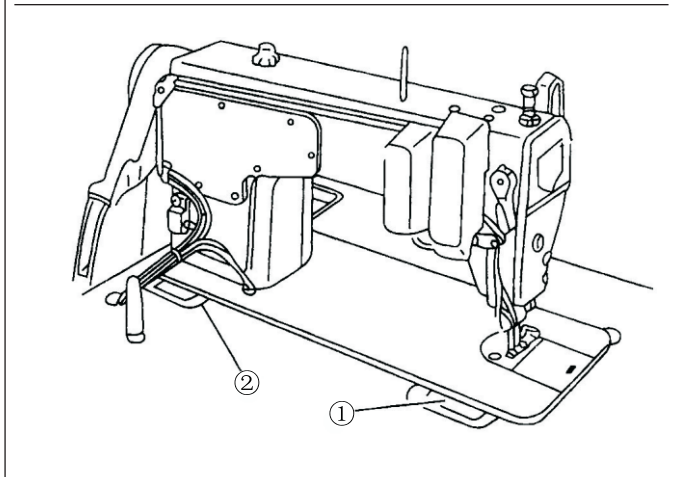
- 1) The oil pan should rest on the four corners of the machine table groove.
- 2) Fix two rubber seats ① on side A (operator's side) using nails ② as illustrated above. Fix two cushion seats ③ on side B (hinged side) using a rubber-based adhesive. Then place oil pan ④ on the fixed seats.



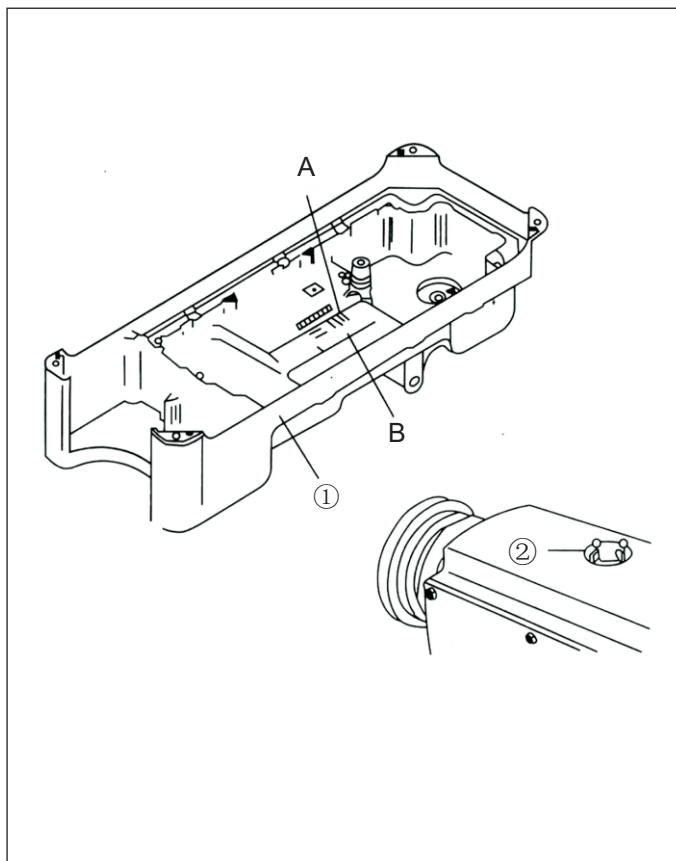
- 3) 将机头连接钩①放入底板孔内, 与台板的机头连接钩座②相嵌合, 再将机头放到四只角的机头支座③上。

EN

- 3) Fit hinge ① into the opening in the machine bed, and fit the machine head to table rubber hinge ② before placing the machine head on cushions ③ on the four corners.



2. 机器的润滑 Lubrication



1. 润滑须知：

开车前：

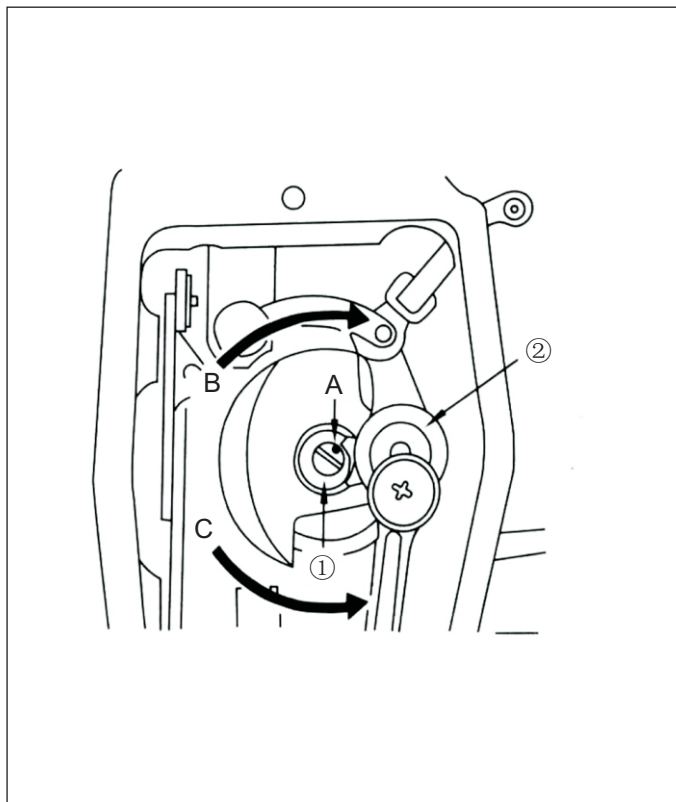
- 1) 向油盘①内加缝纫机油（10号白油）至HIGH记号部位A。
- 2) 当油面低于LOW记号B，应再加油。
- 3) 加油后，开动机器，应看到油液飞溅到油窗②上，说明润滑正常。
- 4) 至于飞溅的油量多少与总润滑油量多少无关。
(注意)使用新缝纫机或长时间未使用过的机器时，应在每分钟3000-3500针的状态下使机器进行十分钟左右的适合性运转。

EN

1. Information on lubrication

Before starting the machine:

- 1) Fill oil pan ① with sewing machine oil (10 white oil) up to HIGH mark A.
- 2) When the oil level lowers below LOW mark B, refill the oil pan with the specified oil.
- 3) When you operate the machine after lubrication, you will see splashing oil through oil sight window ② if the lubrication is adequate.
- 4) Note that the amount of the splashing oil is unrelated to the amount of the lubricating oil.
(Caution) When you first operate your machine after setup or after an extended period of disuse, run your machine at 3000 s.p.m. to 3500 s.p.m. for about 10 minutes for the purpose of break-in.



2. 调节面部油量：

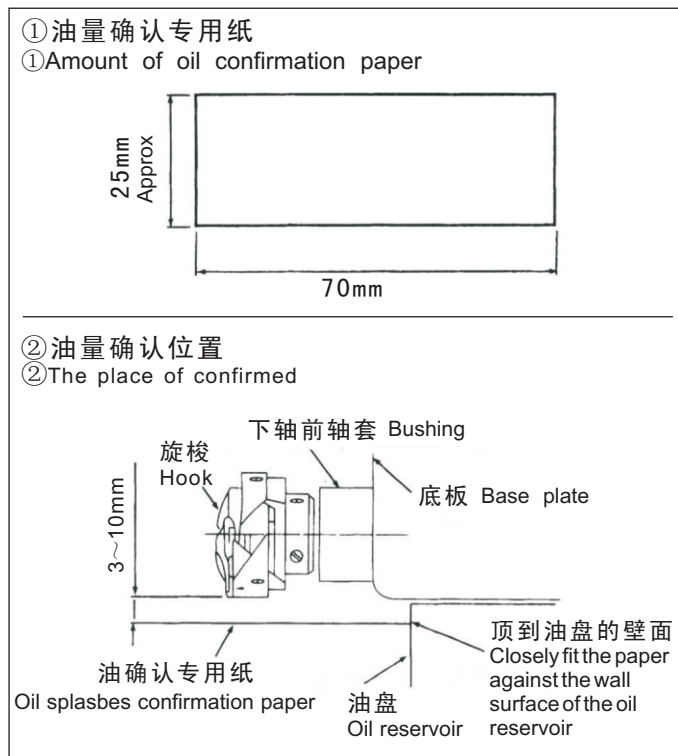
- 1) 转动油量调节销①，可以调节挑线曲柄②的供油量。
- 2) 油量调节销朝B方向转动，刻点A靠近挑线曲柄时，油量达到最小值。
- 3) 油量调节销朝C方向转动，刻点A背离挑线曲柄时，油量达到最大值。

EN

2. Adjusting the amount of oil supplied to the face plate parts:

- 1) Adjust the amount of oil supplied to the thread take-up and needle bar crank ② by turning adjust pin ①.
- 2) The minimum amount of oil is reached when marker dot A is brought close to needle bar crank ② by turning the adjust pin in direction B.
- 3) The maximum amount of oil is reached when marker dot A is brought, to the position just opposite pin in direction C.

3. 旋梭油量的调整 Adjusting the amount of oil supplied to the hook

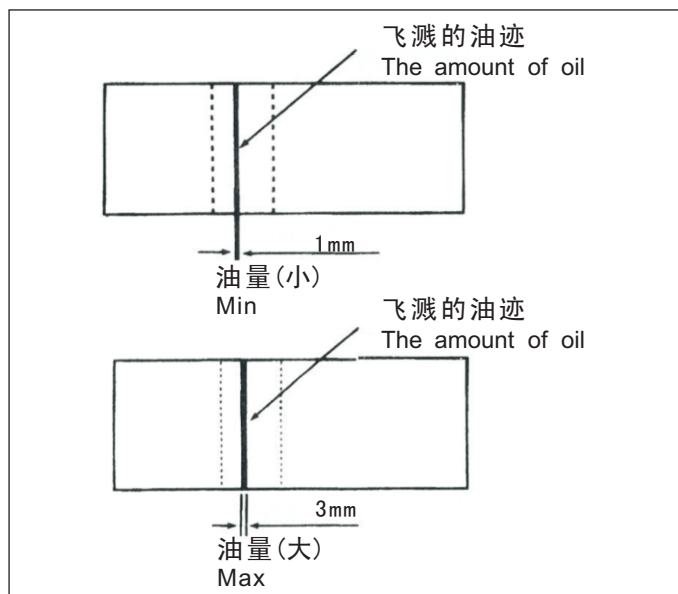


- 1) 未使用的机器应进行约3分钟的空载(适当的断续运转)。
- 2) 油量纸必须在机器运转状态下插入。
- 3) 确认油盘内的油面高度是否在HIGH和LOW范围内。
- 4) 油量确认时间为5秒钟(用表来测定)。

EN

- 1.If the machine has not been sufficiently warmed up for operation, make the machine run idle for approximately three minutes.(Moderate intermittent operation.)
- 2.Place the amount of oil (oil splashes) confirmation paper under the hook while the sewing machine is in operation.
- 3.Confirm that the height of the oil surface in the oil reservoir is within the range between "HIGH" and "LOW".
- 4.Confirmation of the amount of oil should be completed in five seconds.(Check the period of time with a watch.)

• 适量的油量标样 The proper amount of oil manual

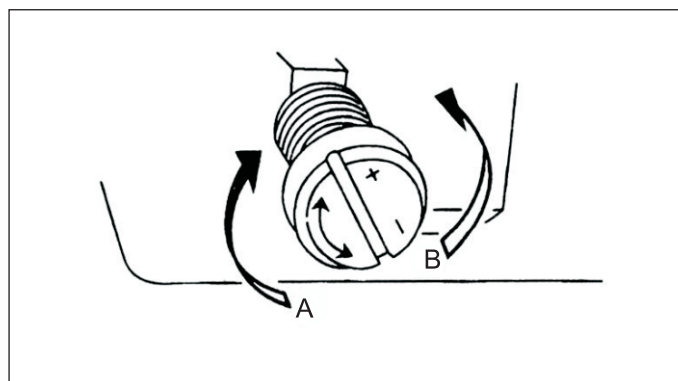


- 1) 左图样品根据不同的缝制工序需要微调增减, 但注意不要过大增加或减少。(油量过少时, 会烧坏旋梭(发热)。油量过多时, 会玷污缝制品)
- 2) 用油量纸试用三次, 当纸上油迹不发生变化时, 就不需要调节了。

EN

- 1) The amount of oil shown in the samples on the left should be finely adjusted in accordance with sewing processes. Be careful not to excessively increase/decrease the amount of oil in the hook.
(If the amount of oil is too small, the hook will be seized (be hook will be hot. If the amount of oil is too much, the sewing product may be stained with oil.)
- 2) Adjust the amount of oil in the hook so that the oil amount should not change while checking the oil amount three times.

• 调整旋梭油量 Adjusting the amount of oil supplied to the hook



- 1) 把下轴前段部的油量调节螺丝向+方向A转动时, 油量将增大, 向-方向B转动时, 油量变少。
- 2) 调节后应进行约30秒钟的空转, 以确认油量的状态。

EN

- 1) More oil is supplied as oil amount adjust screw mounted on the hook driving shaft is turned toward + in direction A. As the oil amount adjust screw is turned toward - in direction B, the amount of oil supplied will be decreased.
- 2) After adjusted, the machine must be idling for thirty seconds. It can be confirmed the state of oil supplied.

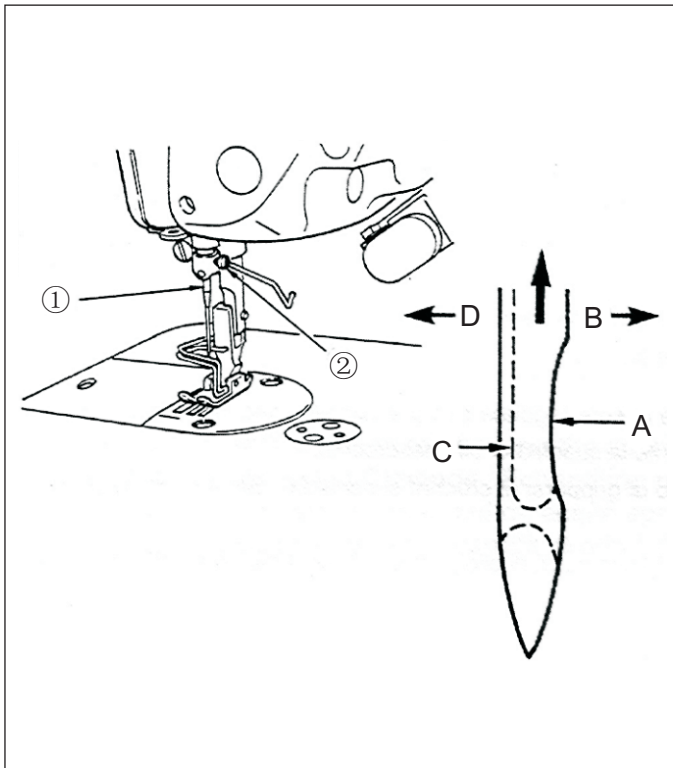
4. 机针的装法 Attaching the needle



注意
CAUTION

为了防止缝纫机的意外起动，请关掉电源之后进行操作

Turn OFF the power before starting the work so as to prevent accidents caused by abrupt start of the sewing machine.



请根据线的粗细、布料的种类选择适当的机针。

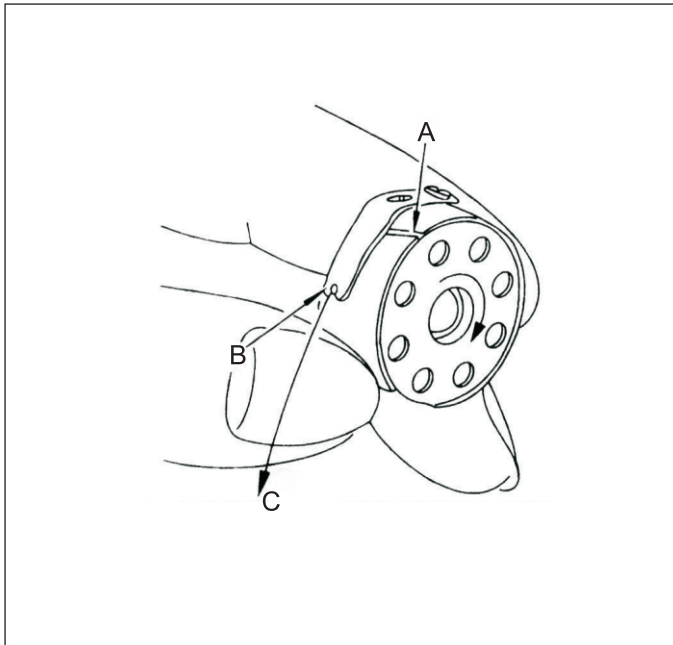
- 1) 转动带轮，把针杆升到最高处。
- 2) 拧松机针固定螺丝②，使机针①的凹弧部分A正对右方向B。
- 3) 将机针插到针杆孔的深处，直至插不进为止。
- 4) 拧紧机针螺钉②。
- 5) 务必使机针的长槽C正对左方向D。

EN

Select a proper needle size according to the count of thread and the type of material used.

- 1) Turn the handwheel until the needle bar reaches the highest point of its stroke.
- 2) Loosen screw ②, and hold needle ① with its indented part A facing exactly to the right in direction B.
- 3) Insert the needle in the direction of the arrow until it will go on further.
- 4) Securely tighten screw ②.
- 5) Check that long groove C of the needle is facing exactly to the left in direction D.

5. 梭心的安装方法 Setting the bobbin into the bobbin case




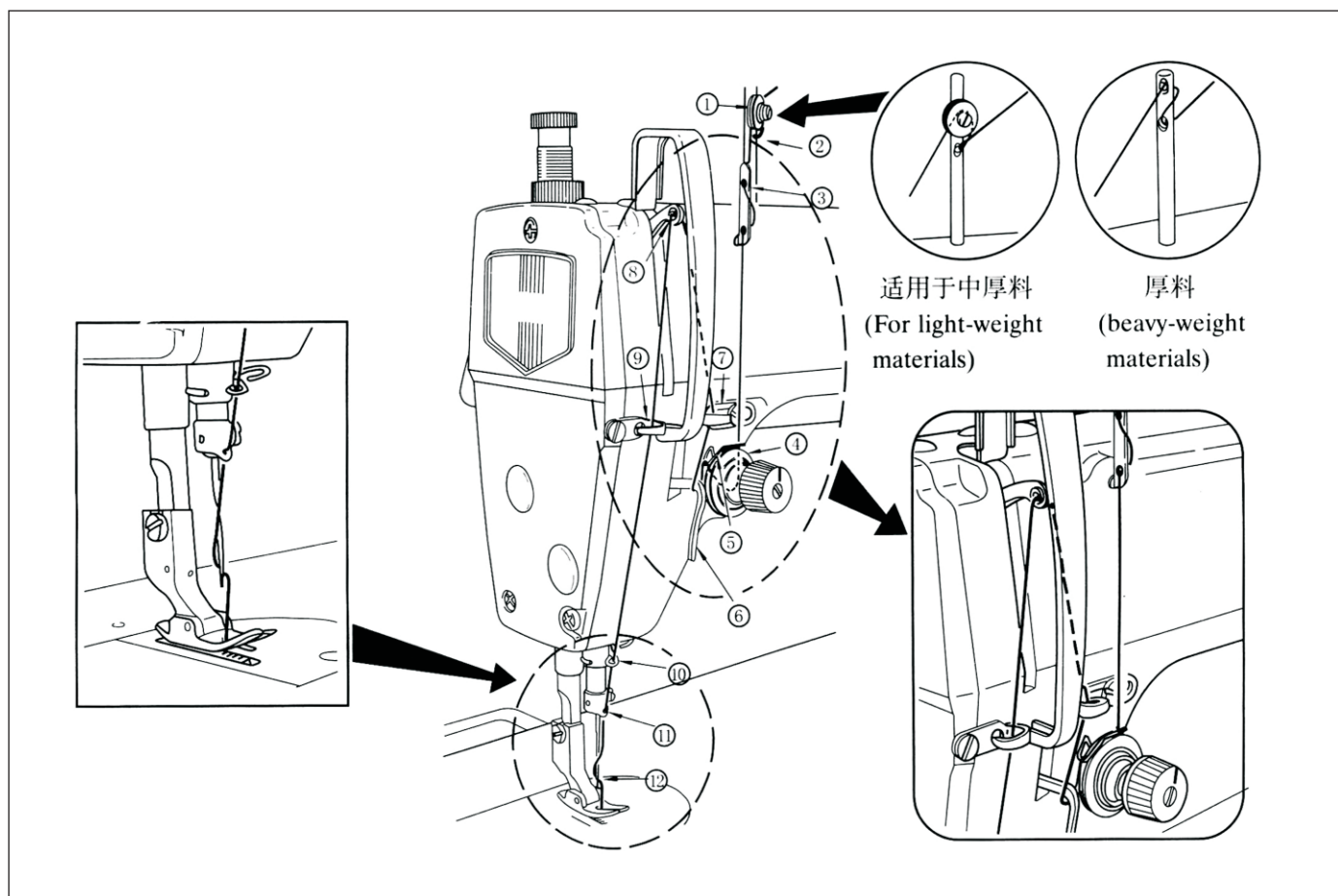
- 1) 手拿梭心，把它放入梭壳内。
- 2) 把线从梭子上的线槽A中穿过，朝B方向拉出。这样，线通过夹线簧下从线孔B处引出。
- 3) 拉底线C，确认梭心是否按箭头方向转动。

EN


- 1) Install the bobbin in the bobbin case so that the thread wound direction is clock wise.
- 2) Pass the thread through thread slit, and pull the thread in direction . By so doing, the thread will pass under the tension spring and come out from notch .
- 3) Check that the bobbin rotates in the direction of the arrow when thread is pulled.

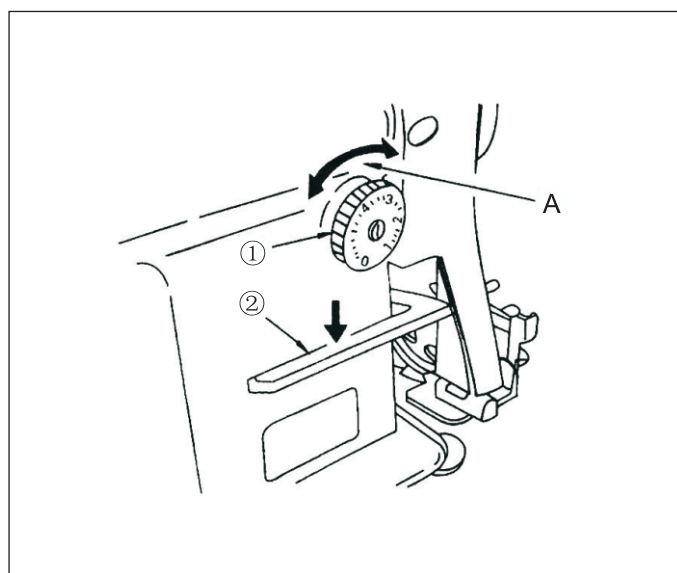
6. 面线的穿法 Threading the machine head

 注意 CAUTION	为了防止缝纫机的意外起动，请关掉电源之后进行操作 Turn OFF the power before starting the work so as to prevent accidents caused by abrupt start of the sewing machine.
---	--



7. 针距的调节 Adjusting the stitch length

 注意 CAUTION	为了防止缝纫机的意外起动，请关掉电源之后进行操作 Turn OFF the power before starting the work so as to prevent accidents caused by abrupt start of the sewing machine.
---	--

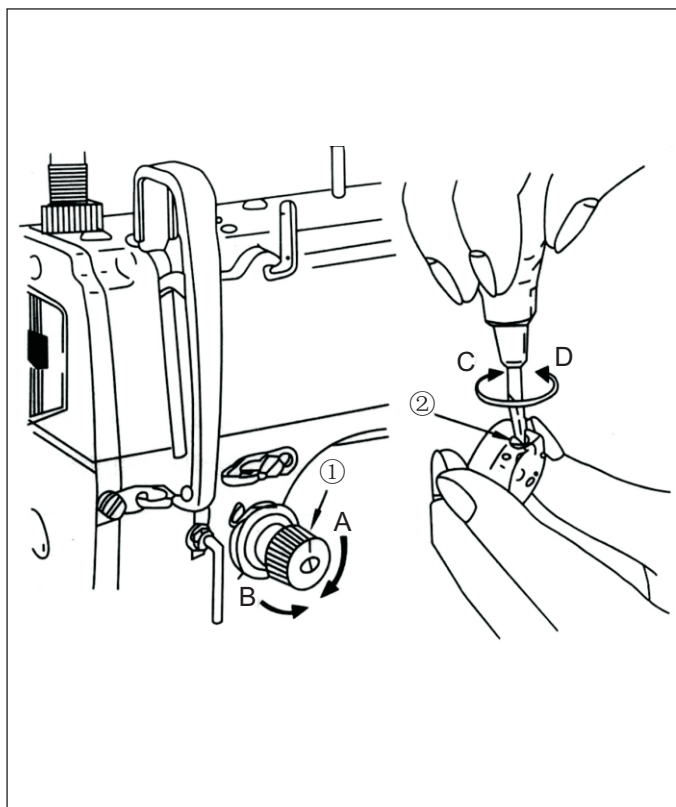


- 1) 将送料距旋钮①朝箭头方向转动，旋至所需数字对准机壳上的刻点A。
- 2) 旋钮上的刻度数字用毫米表示。
- 3) 当你想缩短线迹长度时，把倒送料扳手②朝箭头方向压的同时，转动送料距旋钮。

EN

- 1) Turn stitch length dial ① in the direction of the arrow, and align the desired number to marker dot A on the machine arm.
- 2) The dial calibration is in millimeters.
- 3) When you want to decrease the stitch length, turn stitch length dial ① while pressing feed lever ② in the direction of the arrow.

8. 缝线张力 Thread tension



1. 面线张力的调节:

- 1) 根据不同的缝制条件，用夹线螺母来调整面线张力。
- 2) 若把螺母①按顺时针方向(即A方向)转动时，面线张力将增大。
- 3) 若把螺母①按逆时针方向(即B方向)转动时，面线张力将减少。

2. 底线张力的调节:

- 1) 将夹线螺钉②朝顺时针方向(即C方向)转动时，底线张力将增大。
- 2) 将夹线螺钉②朝逆时针方向(即D方向)转动时，底线张力将减少。

EN

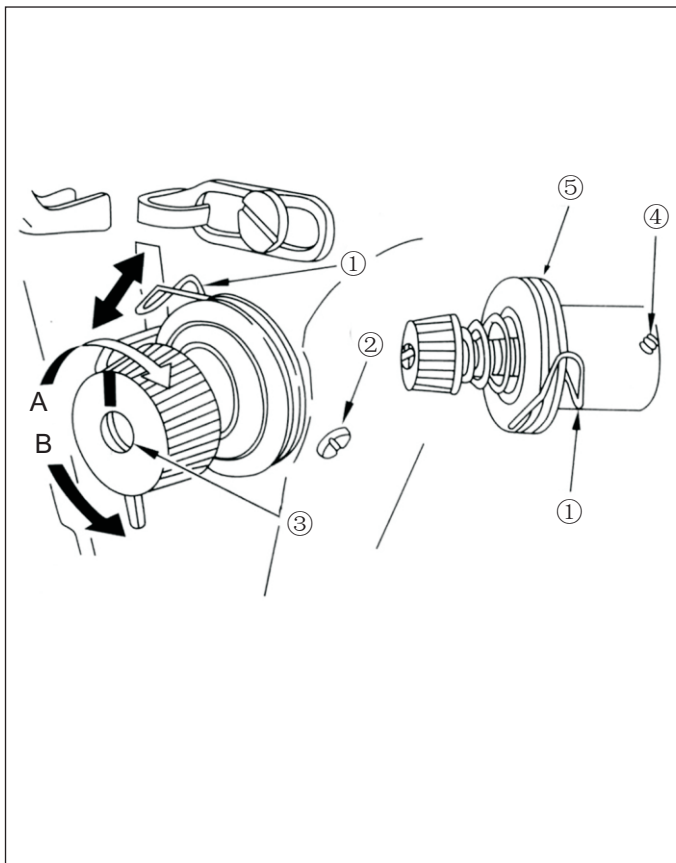
1. Adjusting the needle thread tension

- 1) Adjusting the needle thread tension using tension adjust nut ① according to the sewing specifications.
- 2) As you turn nut ① clockwise (in direction A), the needle thread tension will increase.
- 3) As you turn nut ① counter clock wise (in direction B), the tension will decrease.

2. Adjusting the bobbin thread tension

- 1) As you turn tension adjust screw ② clockwise (in direction C), the bobbin thread tension will increase.
- 2) As you turn screw ② counter clockwise (in direction D), the bobbin thread tension will decrease.

9. 挑线簧 Thread take-up spring



1. 改变挑线簧①的摆动量:

- 1) 拧松定位螺丝②。
- 2) 把夹线螺钉③顺时针方向(即A方向)转动时，挑线簧的摆动量将增大。
- 3) 把夹线螺钉③逆时针方向(即B方向)转动时，挑线簧的摆动量将减少。

2. 改变挑线簧①的张力:

- 1) 拧松定位螺丝②，取出夹线器(组件)⑤。
- 2) 拧松定位螺丝④，并转动夹线螺钉③。
- 3) 把夹线螺钉③顺时针方向(即A方向)转动时，挑线簧的张力将增大。
- 4) 把夹线螺钉③逆时针方向(即B方向)转动时，挑线簧的张力将减小。

EN

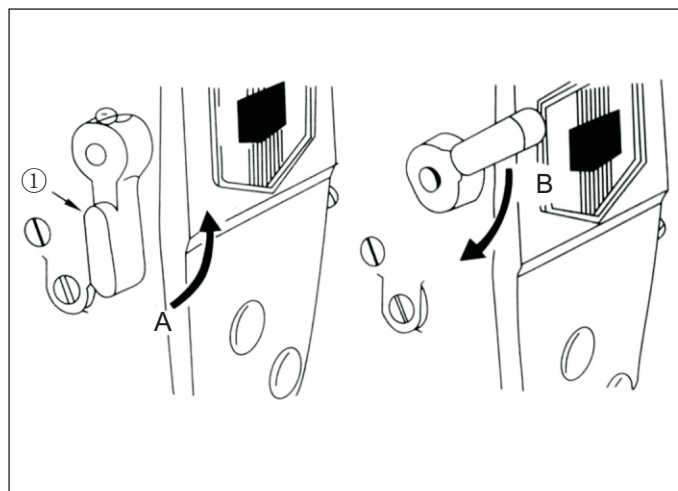
1. Changing the stroke of thread take-up spring ①

- 1) Loosen setscrew ②.
- 2) As you turn tension post ③ clock wise (indirection A), the stroke of the thread take-up spring will be increased.
- 3) As you turn the knob counter clock wise (indirection B), the stroke will be increased.

2. Changing the pressure of thread take-up spring ①

- 1) Loosen setscrew ②, and take out tension asm ⑤.
- 2) Loosen setscrew ④, and remove tension post ③.
- 3) As you turn tension post ③ clock wise (in direction A), the pressure will be increased.
- 4) As you turn the post counter clock wise (in direction B), the pressure will be decreased.

10. 压脚扳手 Hand lifter

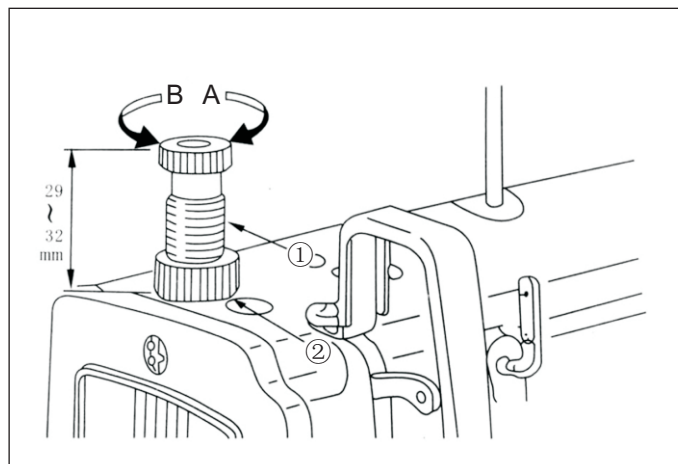


- 1) 停车后，将压脚扳手①朝A方向转动，使压脚抬起。
- 2) 压脚的抬起量约5.5毫米。
- 3) 当压脚扳手①朝B方向转动时，压脚将放回原来位置。
- 4) 对膝提压脚而言，压脚的抬起量约为10毫米，最大抬起量约为13毫米。

EN

- 1) To stop the machine with its presser foot up, turn hand lifter ① in direction A.
- 2) The presser foot will go up about 5.5mm and stop.
- 3) The presser foot will go back to its original position when hand lifter ① is turned down in direction B.
- 4) Using the knee lifter, you can get the standard presser foot lift of about 10 mm and a maximum lift of about 13 mm.

11. 压脚压力的调节 Presser foot pressure



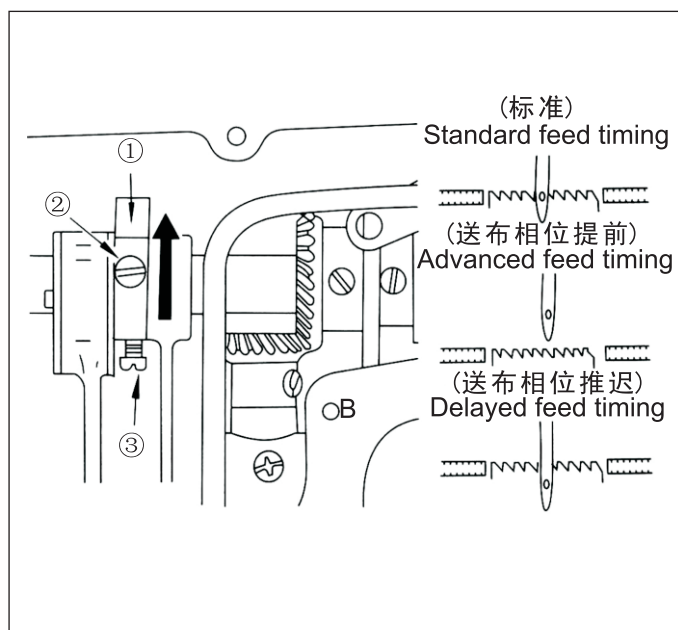
- 1) 旋松调压螺母②，顺向(即A方向)转动压脚调节螺钉，压力将变强。
- 2) 逆向(即B方向)转动压脚调节螺钉，压力将变弱。
- 3) 调节后，旋紧调节螺母②。
- 4) 对一般布料而言，压脚调节螺钉的标准高度为29~32mm(5公斤)左右。(特殊的7公斤)

EN

- 1) Loosen nut ②. As you turn presser spring regulator ① clockwise (in direction A), the presser foot pressure will be increased.
- 2) As you turn the presser spring regulator counterclockwise (in direction B), the pressure will be decreased.
- 3) After adjustment, tighten nut ②.
- 4) For general fabrics, the standard height of the presser spring regulator is 29 to 32 mm(5kg). (For the model it is 7kg).

12. 送料相位的调节 Adjusting the feed timing

	<p>注意 CAUTION</p>	<p>为了防止缝纫机的意外起动，请关掉电源之后进行操作 Turn OFF the power before starting the work so as to prevent accidents caused by abrupt start of the sewing machine.</p>
--	------------------------------	--

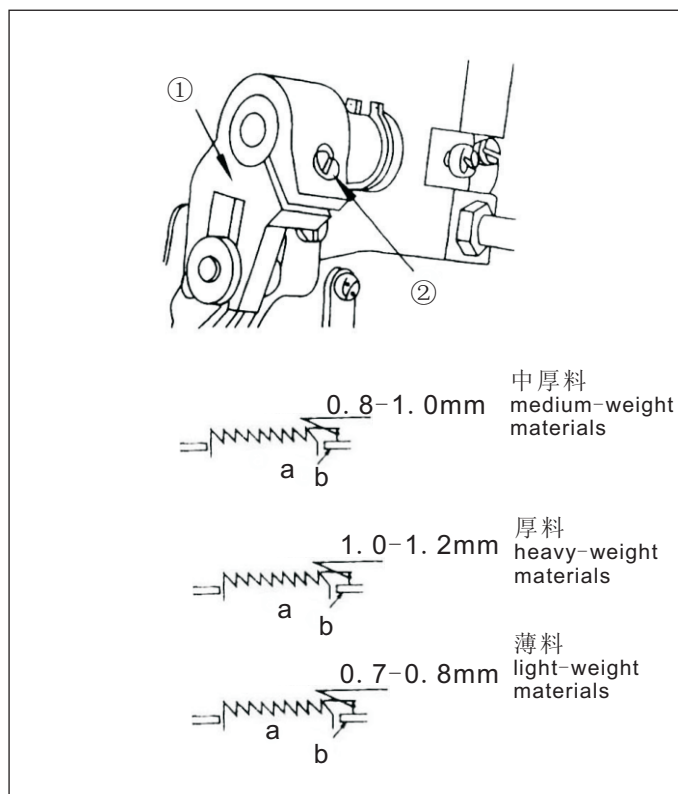


- 1) 拧松送料偏心凸轮①的固定螺丝②、③，将送料偏心凸轮①调到适合的位置，然后拧紧固定螺钉。
- 2) 在标准相位情况下，当送料牙从针板面下降时，送料牙上端，针孔上端和针板上端面对齐。
- 3) 为了防止缝料的潜移，要加快送料相位，可将送料偏心轮朝箭头方向调整。
- 4) 为了增大线迹的紧密度，在减慢送料相位，可将送料偏心轮朝箭头相反方向移动。

EN

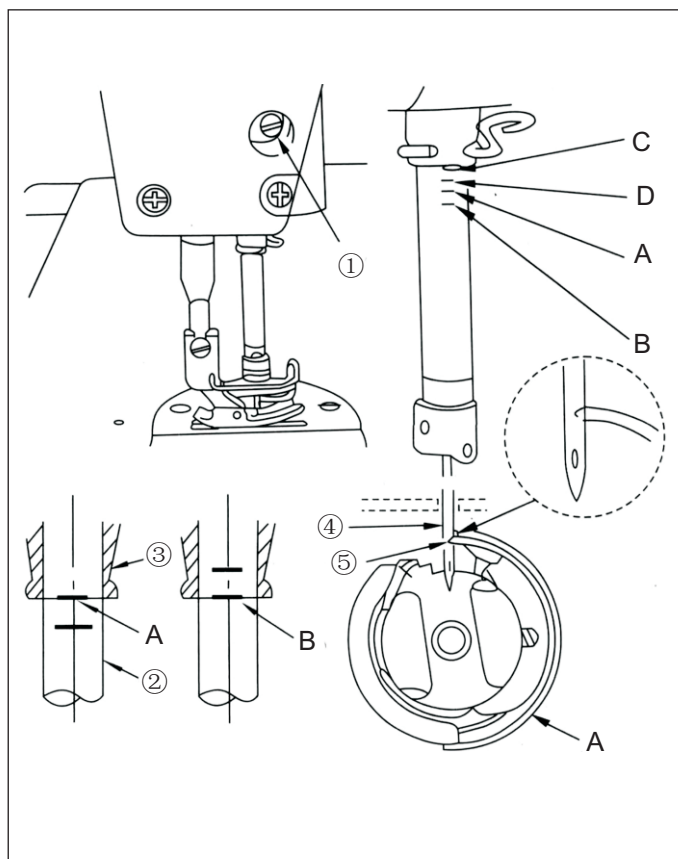
- 1) Loosen two screws ① and ③ on feed eccentric cam ①, properly position the eccentric cam, then retighten the setscrews.
- 2) To obtain the top of the feed dog with the top of the hole on the needle and the top of the throat plate.
- 3) To advance the feed timing in order to prevent uneven material feed, move the feed eccentric cam in the direction of the arrow.
- 4) To delay the feed timing in order to increase stitch tightness, move the feed eccentric cam in the opposite direction from the arrow.

13. 送料牙的高度 Height of the feed dog

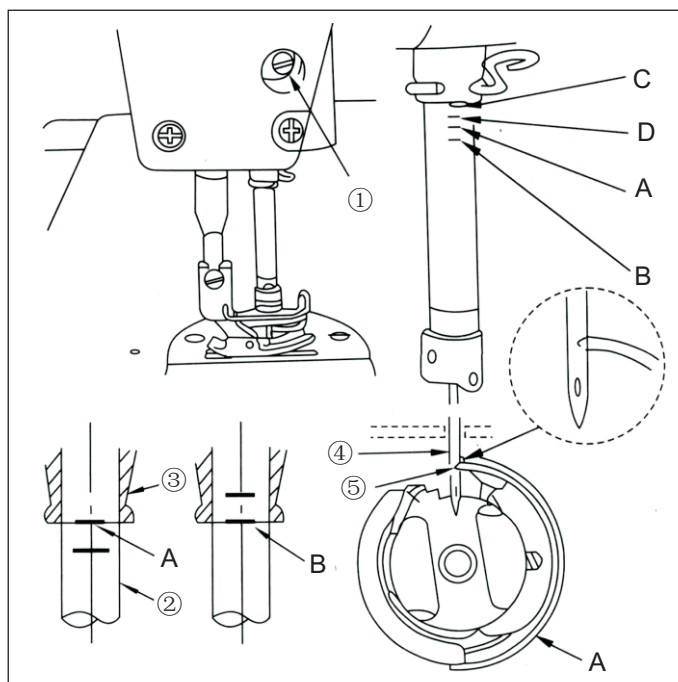


14. 机针与旋梭的关系 Needle-to-hook relationship

 注意 CAUTION	为了防止缝纫机的意外启动，请关掉电源之后进行操作 Turn OFF the power before starting the work so as to prevent accidents caused by abrupt start of the sewing machine.
--------------------------	--




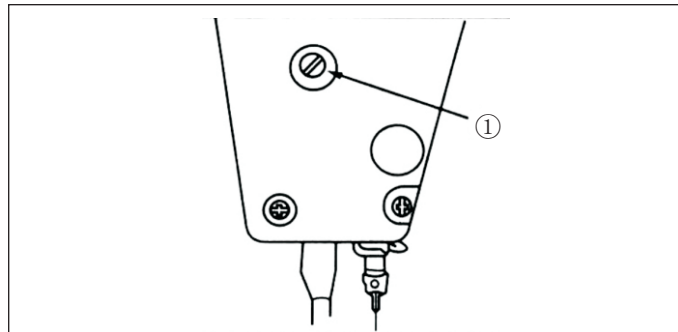
14. 机针与旋梭的关系 Needle-to-hook relationship



- 2) (For a DB needle) Align marker line A on needle bar ② with the bottom end of needle bar lower bushing ③, then tighten set screw ①.
(For a DA needle) Align marker line C on needle bar ② with the bottom end of needle bar lower bushing ③, then tighten set screw ①.
(Adjusting position of the hook A)
- 3) (For a DB needle) Loosen the hook setscrews, turn the handwheel, and align marker line B on ascending needle bar ② with the bottom end of needle bar lower bushing ③.
(For a DA needle) Loosen the hook setscrews, turn the handwheel, and align marker line D on ascending needle bar ② with the bottom end of needle bar lower bushing ③.
- 4) After making the adjustments mentioned the above steps align hook blade point ⑤ with the center of needle ④. Provide a clearance of 0.04 mm to 0.1 mm between the needle and the hook, then securely, tighten setscrews in the hook.
(Caution) If the clearance is too small, the tip of hook will be abraded. If it is too big, it will lead to skip over.
Note that the type of hook to be substituted for, when replacing the hook, shall be in conformity with the very type of the hook installed in the sewing machine of original assemblge.


15. 压脚高度的调节 Adjusting the height of the presser foot

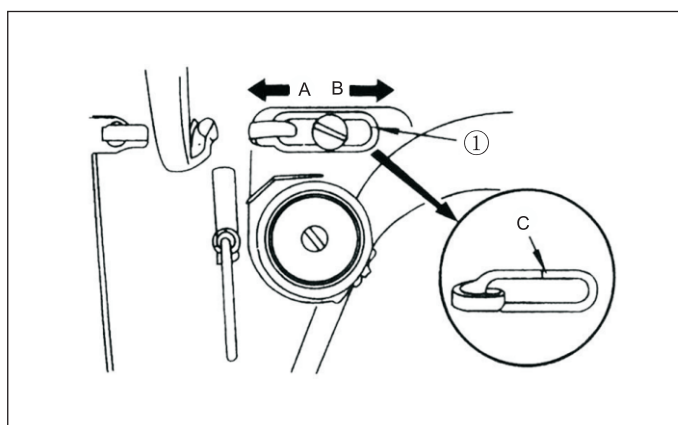
 注意 CAUTION	为了防止缝纫机的意外起动，请关掉电源之后进行操作 Turn OFF the power before starting the work so as to prevent accidents caused by abrupt start of the sewing machine.
---	--



- 1) 拧松压杆导架的固定螺丝①，调节压杆高度与压脚角度。
 - 2) 调节后，再拧紧固定螺丝①。
- EN**
- 1) Loosen setscrew ①, and adjust the presser foot height and the angle of the presser foot.
 - 2) After adjustment, securely tighten the setscrew ①.

16. 挑线杆挑线量的调节 Adjusting the thread take-up stroke

 注意 CAUTION	为了防止缝纫机的意外起动，请关掉电源之后进行操作 Turn OFF the power before starting the work so as to prevent accidents caused by abrupt start of the sewing machine.
---	--



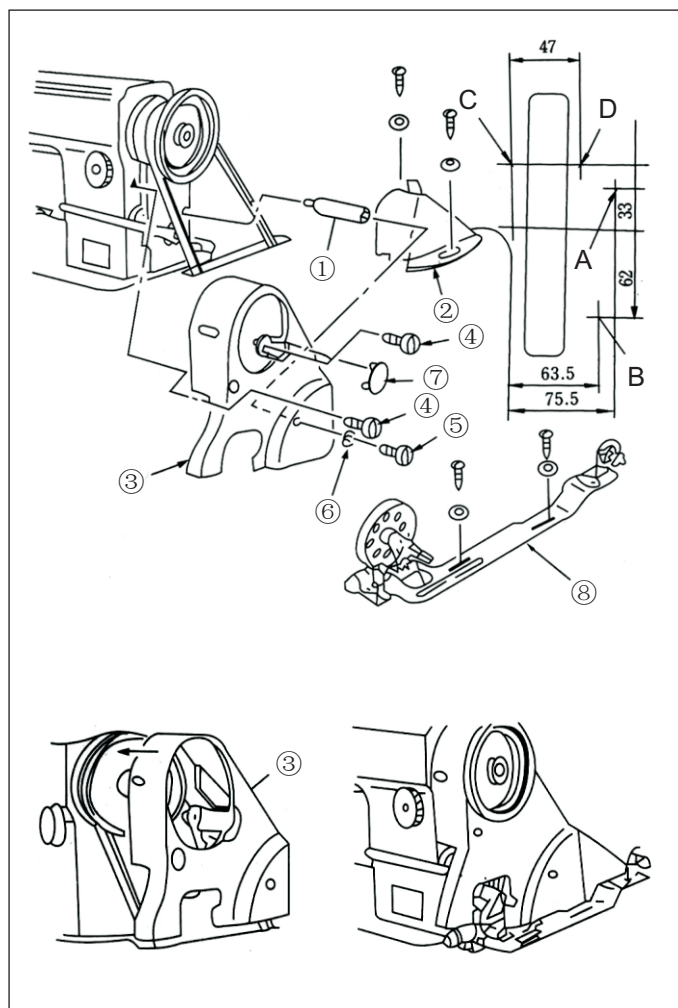
- 1) 缝制厚料时，应将右线钩①朝左A的方向移动，以增大挑线量。
 - 2) 缝制薄料时，应将右线钩①朝左B的方向移动，以减小挑线量。
 - 3) 右线钩①上的刻线C与螺钉中心一致时为标准位置。
- EN**
- 1) When sewing heavy-weight materials, move thread guide ① to the left in direction A to increase the length of thread pulled out by the thread take-up.
 - 2) When sewing light-weight materials, move thread guide ① to the right in direction B to decrease the length of thread pulled out by the thread take-up.
 - 3) When the marker line C on the thread guide ① is aligned with the center of the screw, it is standard.

17. 皮带罩和绕线器的装法 Installing the belt cover and bobbin winder



为了防止缝纫机的意外启动，请关掉电源之后进行操作

Turn OFF the power before starting the work so as to prevent accidents caused by abrupt start of the sewing machine.



安装程序:

- 1) 在台板上钻四只木螺钉导孔A、B、C、D。
- 2) 将罩壳支柱①装入机壳的螺孔内。
- 3) 将上轮前罩③从后斜方装入，使上轮套进上轮前罩壳③的孔内。
- 4) 将上轮后罩壳②放置在导孔CD上。
- 5) 用螺钉和垫圈④⑤⑥，将上轮前罩③固定在车壳上。此时的螺钉紧固扭矩请控制在螺钉④为30kgfcm、螺钉⑤为25kgfcm，即使紧固扭矩超过以上程度，也无效果。
- 6) 盖上上轮前罩壳盖板⑦。
- 7) 将上轮后罩壳②向后方移动，在上轮后罩壳②的橡胶部分碰到上轮前罩壳③时，再移动0.5-1mm，将其用木螺钉和垫圈固定。
- 8) 用木螺钉将绕线器⑧固定在导孔A和B上。

EN

Installing procedure

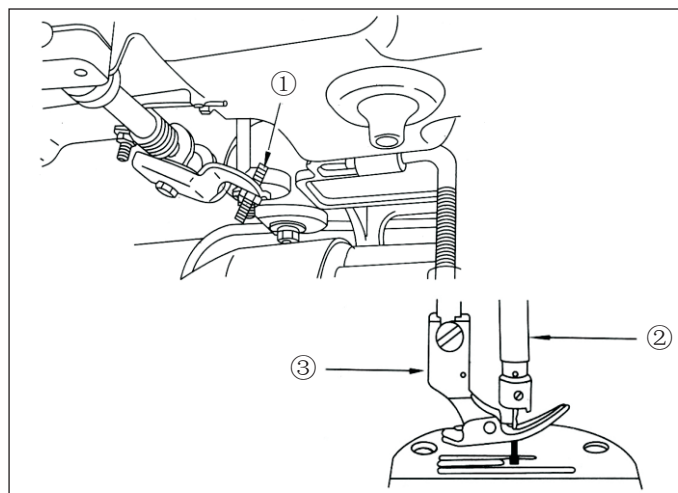
- 1) Drill four wooden screw guide holes A. B. C. and D in the machine table.
- 2) Insert support ① in the tapped hole in the arm.
- 3) Install the front belt cover ③, get the hand wheel in the middle of the hole.
- 4) Install the back belt cover ② at C and D.
- 5) Using the screws ④, ⑤ and washer ⑥, fix the front cover ③ on the support the tightening torque for the screw ④ is about 30 kgfcm. for the screw ⑤ is about 25 kgfcm.
- 6) Fix the cover ⑦.
- 7) Move the back belt cover ② backward until its rubber touches the front belt cover ③, then move further more 0.5-1mm, fix it using the wooden screws and washers.
- 8) Fix bobbin winder ⑧ at A and B using the wooden screws.

18. 膝提高度的调节 Adjusting the height of the knee lifter



为了防止缝纫机的意外启动，请关掉电源之后进行操作

Turn OFF the power before starting the work so as to prevent accidents caused by abrupt start of the sewing machine.



- 1) 用膝提时的标准压脚高度是10毫米。
- 2) 用膝提调整螺钉①可以调节压脚提升量至13毫米。
- 3) 当压脚提升量超过10毫米时，不能使处于最低位置的针杆②的低端与压脚③相碰。

EN

- 1) The standard height of the presser foot lifted using the knee lifter is 10mm.
- 2) You can adjust the presser foot lift up to 13 mm using knee lifter adjust screw ①.
- 3) When you have adjusted the presser foot lift to over 10mm, be sure that the bottom end of needle bar ② in its position does not hit presser foot ③.

19. 保养 Cleaning

为了爱护缝纫机，保持良好的性能，每天都要保养机器，如长时间放置，请按照下面的保养顺序进行。
The following cleaning operations should be carried out each day in order to maintain the performance of this machine and to ensure a long service life.

⚠ 注意CAUTION



作业前请切断电源开关。避免误踩踏板启动缝纫机而受伤。由于电机惯性作用，切断电源后，电机还会继续运动，直到它完全停止后才能进行操作。

使用润滑油时，要佩带保护眼镜和手套遮盖皮肤以免引起炎症。

润滑油不能饮用，以免发生痢疾和呕吐。

请不要放置在孩子可能触及的地方。

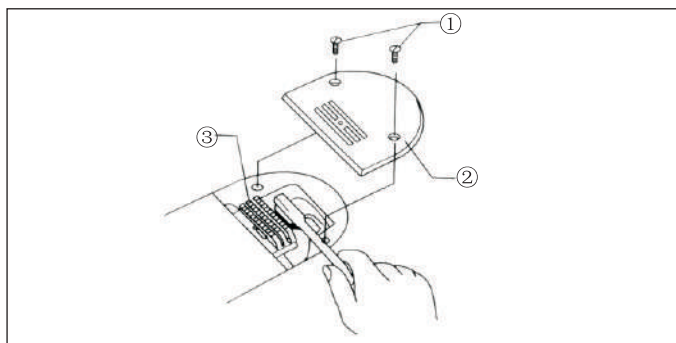
Turn off the power switch before carrying out cleaning. The motor will keep turning even after the power is switched off as a result of the motor's inertia. Wait until the motor stops fully before starting work.

The machine may operate if the treadle is pressed by mistake, which could result in injury.

Be sure to wear protective goggles and gloves when handing the lubricating oil, so that no oil gets into your eyes or onto your skin, otherwise inflammation can result.

Furthermore, do not drink the oil under any circumstances, as it can cause vomiting and diarrhoea.

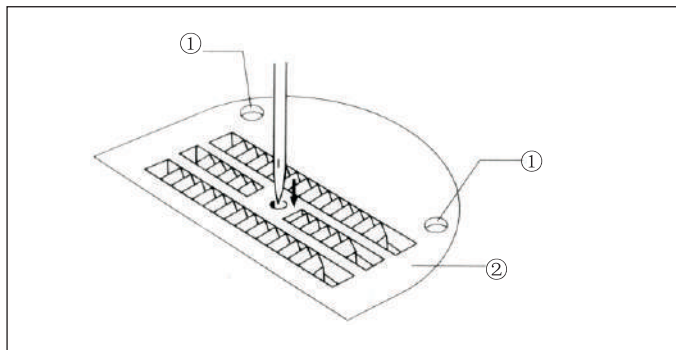
Keep the oil out of the reach of children.



1. 抬起压脚。
2. 取出两个紧固螺钉①，取下针板②。
3. 用牙刷等物清扫送布牙③上的灰尘。
4. 将两个紧固螺钉①装进针板②。

EN

1. Raise the presser foot.
2. Remove the two screw ①, and then remove the needle plate ②.
3. Use a soft wire brush to clean any dust from the feed dog ③.
4. Install the needle plate ② with the two screws ①.



5. 慢慢转动缝纫机主动轮，机针应准确无误进入针板②针孔的中心。

如果机针不能进入针板孔中心时，确认机针是否弯曲。松开2个紧固螺钉①后，针板②，是否回原位。

6. 转动缝纫机上轮，使机针上升到针板②上面，确认针尖是否损坏，针尖损坏时，要换机针。

EN

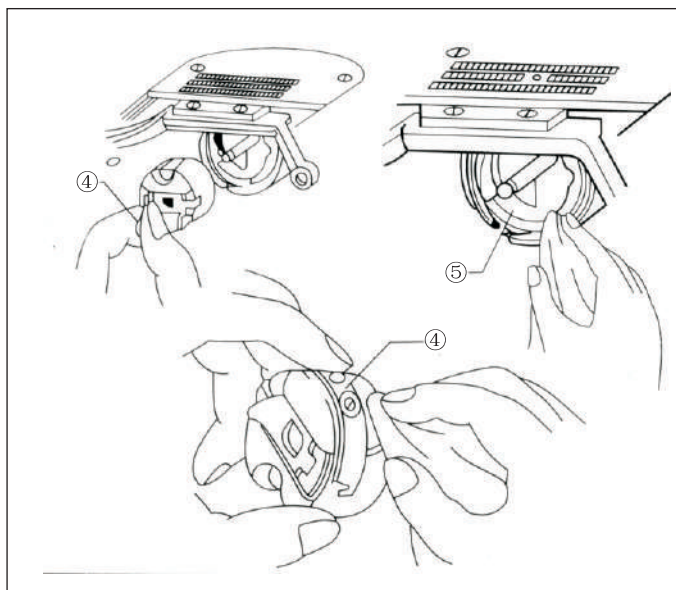
5. Turn the machine pulley slowly and check that the needle is lowered through the center of the hole in the needle plate ②.

*If the needle does not go through the center.

·Check that the needle is not bent.

·Loosen the two screws ① and then re-seat the needle plate ②.

6. Turn the machine pulley to raise the needle above the needle plate ② and then check that the tip of the needle is not blunt.

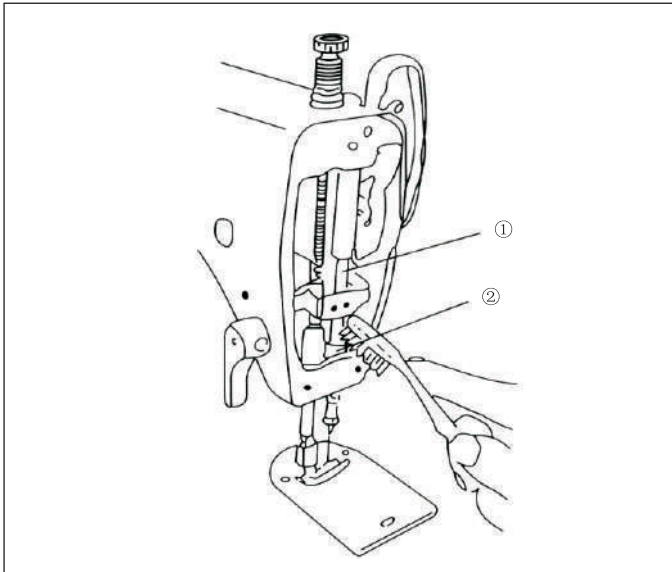


7. 放倒缝纫机。
8. 取下梭心套④。
9. 用软布清扫旋梭⑤的灰尘，查看一下是否有损坏
10. 从梭心套④中取出梭心，用布擦拭梭心套。
11. 把梭心装入梭心套④，把梭心套装入旋梭。

EN

7. Tilt back the machine head.
8. Remove the bobbin case ④.
9. Wipe off any dust from the rotary hook ⑤ with a soft cloth and check that there is no damage to the rotary hook ⑤.
10. Remove the bobbin from the bobbin case ④ and clean the bobbin case ④ with a cloth.
11. Insert the bobbin into the bobbin case ④ and then place the bobbin case ④ back into the machine.

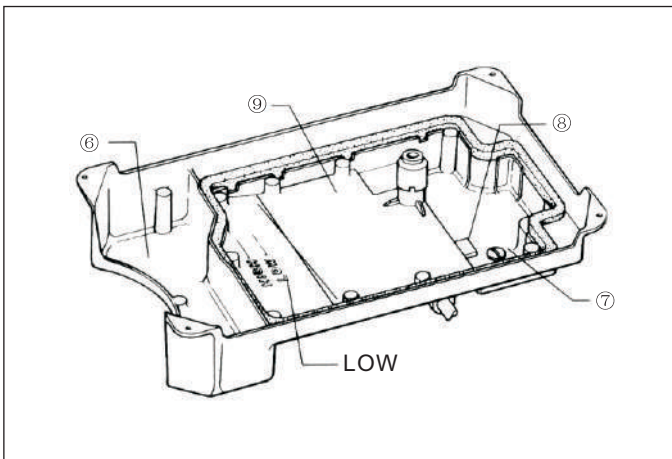
19. 保养 Cleaning



12. 定期打开面板。
 13. 用刷子或布清扫针杆①和针杆下轴套②上的堆积纤维，打扫干净。
 14. 装上面板，用螺钉紧固。
- ※如不定期清扫，有引起渗、漏油、污染织物的可能。

EN

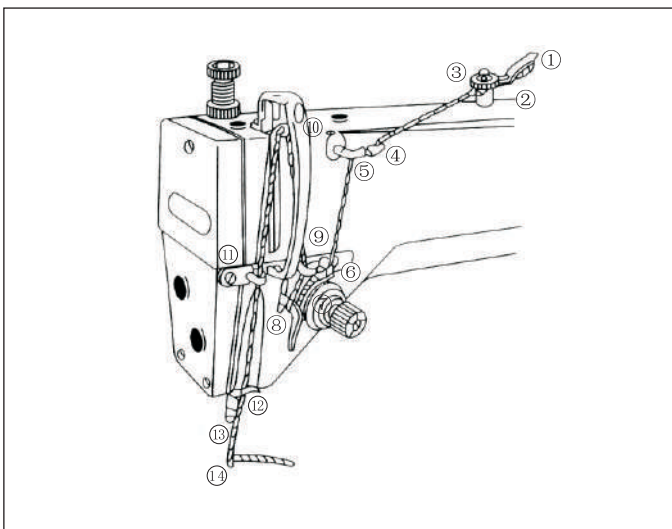
- 12.To open face plate rehulauy.
 - 13.Wipe off any fibre from needle bar and needle bar bush ② with a soft wike bush or a soft cloth.
 - 14.Put fale plate back securely tighten the screw.
- * If not clean it regulary it may cause oil teak, result in making the tettile dirty.



15. 用布擦试油污⑥
 16. 当油面低于 <LOW> 刻线时，补充润滑油。
- ※请使用本公司指定的10#润滑油。
 ※润滑油脏时，取下放油螺钉⑦，调换新的润滑油。
 磁块⑧和油盘⑨中的污物要清除干净。

EN

- 15.Clean the oil sump ⑥ with cloth.
 - 16.If the oil level drops below the LOW mark add more lubricating oil.
- Use only the lubricating oil(Nisseki Sewing Lube 10) specified by our dealer.
 ·If the lubricating oil is contaminated, remove the oil cap screw ⑦ and drain the oil.
 Clean off any dirt on the collection magnet ⑧ and in the oil pan.



17. 把机器放回原位。
18. 确认上线穿线是否正确。
19. 试缝

EN

- 17.Return the machine tead to its original position.
- 18.Check that the uppert thread is threaded correctly.
- 19.Carry out a trst sewing.

20. 规格 Specifications

用途 Application	中厚料(M) For medium-weight materials	厚料(H) For heavy-weight materials	厚料(B) For heavy-weight materials (big rotary hook)
缝速 sewing speed (max)	5000RPM	3500RPM	3500RPM
最大针距 stitch length (max)	5	8	8
针距行程 Needle bar store	30.6	35	35
压脚升程 Presser foot lifter	手提 Hand lifter	5.5	6
	膝提 Knee lifter	13	13
机针 Needle	DBx1 14#	DBx1 21#	DBx1 21#
润滑油 Lubricating	10# 白油(oil)		
电机功率 Motor power	370W		

- (1) 马达使用标准输出370w(1/2马力)的离合马达。
 (2) 皮带使用M型V型皮带。
 (3) 马达皮带轮和皮带、缝纫机的转速关系如下表所示。

EN

- (1) A clutch motor with 370W output (1/2HP) is used as the standard motor.
 (2) An M-type V belt should be used.
 (3) The relationship between the motor pullets, belt lengths and sewing speeds is shown in the following table:

马达皮带轮的外径 Motor pulley O. D. (Mm)	转速 Sewing speed (s. p. m)		皮带长度(英吋) Belt length(in)
	50HZ	60HZ	
125	5,060		44"
120	4,850		43"
115	4,630		
110	4,440		
105	4,250	5,040	42"
100	4,000	4,780	
95	3,820	4,540	
90	3,610	4,320	
85	3,390	4,000	41"
80	3,160	3,790	
75	2,950	3,520	
70	2,740	3,260	

- ※马达皮带轮的有效直径为外径减5mm。
 ※马达的转动方向从皮带轮侧看为逆时针。请注意不要让缝纫机反转。

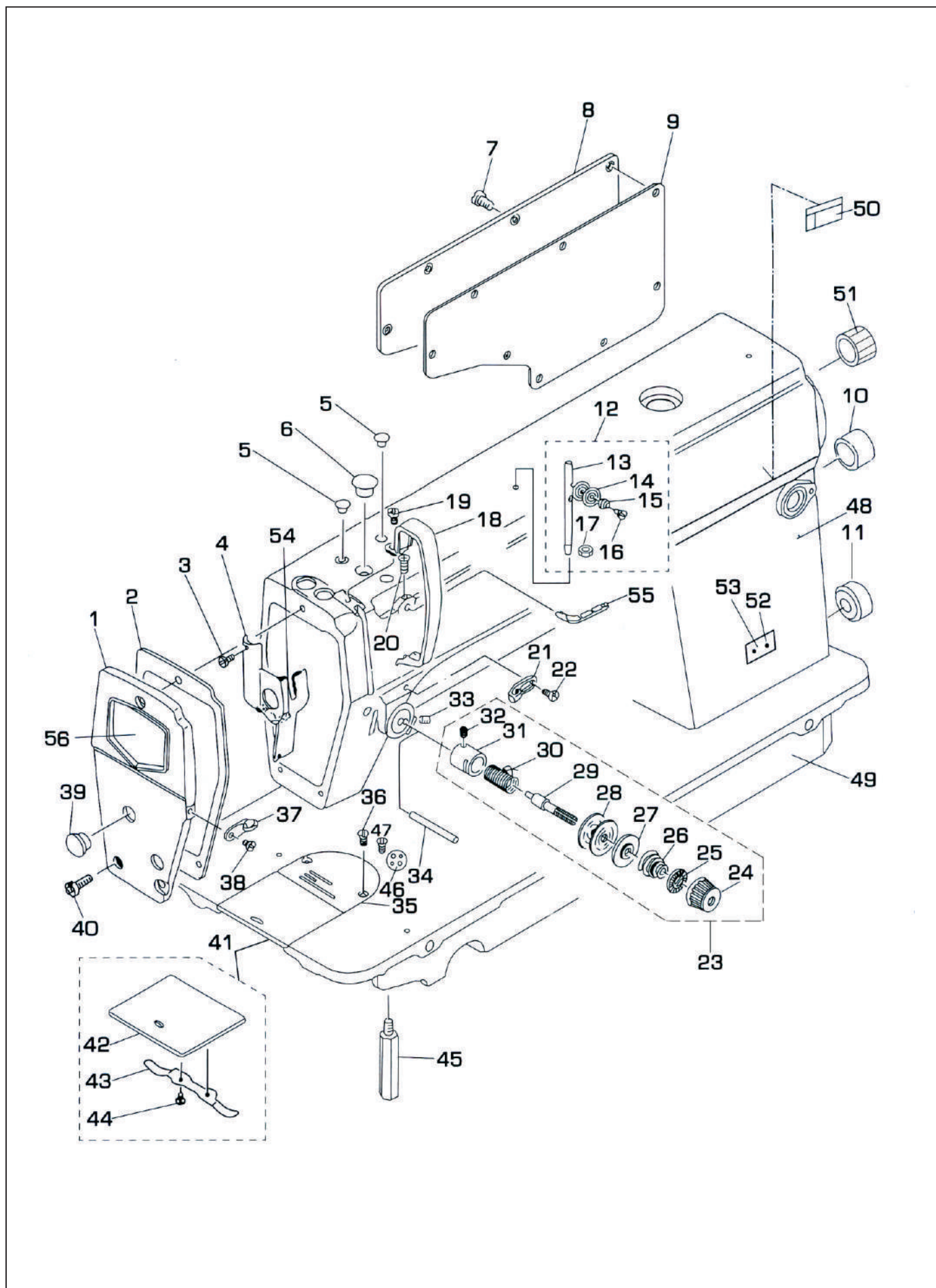
EN

- ※The effective diameter of a motor pulley is equivalent to the outside diameter minus 5mm.
 ※The motor should rotate counterclockwise as observed from the handwheel side. Be careful not to allow the motor to rotate in the reverse direction.

零件目录 PARTS CONTENTS

1. 机壳分组件	1
Arm Bed Components	
2. 上轴及挑线杆分组件	5
Main Shaft & Thread Take-up Lever	
3. 针杆、旋梭轴分组件	7
Needle Bar & Hook Driving Shaft Components	
4. 提压脚分组件	9
Hand Lifter Components	
5. 送料分组件	11
Feed Mechanism Components	
6. 润滑分组件	15
Oil Lubrication Components	
7. 油盘分组件	17
Oil Reservoir Components	
8. 皮带罩、绕线器分组件	19
Belt Cover Bobbin Winger Components	
9. 线架分组件	20
Thread Stand Components	
10. 附件	21
Accessories	
11. 索引	I ~ II
Index	

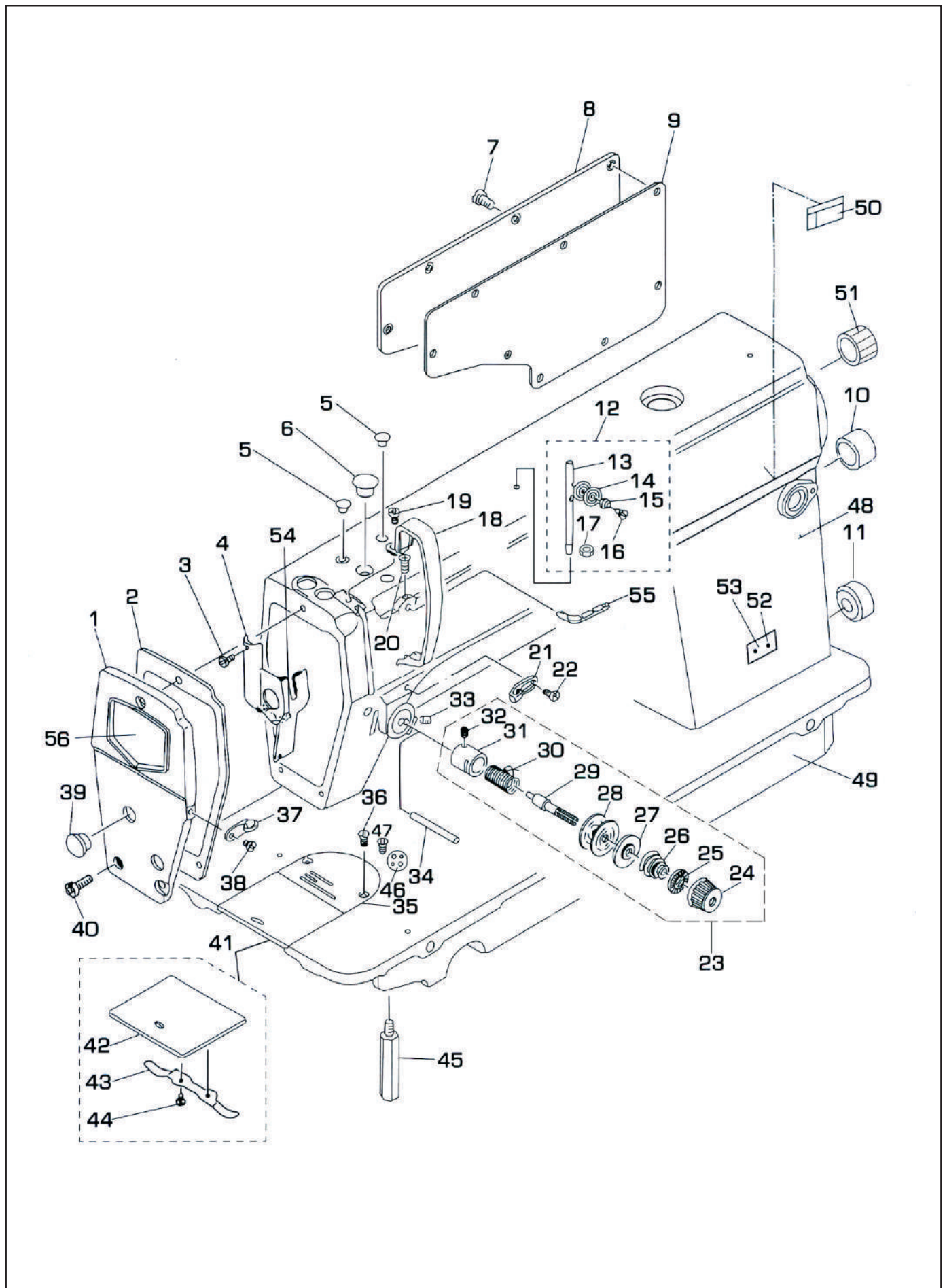
1. 机壳分组件 Arm Bed Components



1. 机壳分组件 Arm Bed Components

序号 NO.	图号 REF NO.	名称	DESCRIPTION	数量 AMT	备注 NOTE
1	101.01-07	面板	Face plate arm	1	
2	101.01-09	面板垫	Brand plate gasket	1	
3	11-60080320-01	面部防油板螺钉	Screw SM1/8×44 L=2.5	1	
4	101.08-34	面部防油板	Arm oil shield	1	M型用
	101.08-34XH	面部防油板	Arm oil shield	1	H、B型用
5	101.01-12	挑线连杆销螺孔塞	Rubber plug	2	
6	101.01-11	针杆曲柄螺孔塞	Rubber plug	1	
7	11-40120925-01	后窗板螺钉	Screw SM3/16×28 L=9	8	
8	101.01-04	后窗板	Side plate	1	
9	101.01-05	后窗板垫	Side plate gasket	1	
10	101.01-02	送料调节器孔塞	Rubber plug	1	
11	101.01-03	下轴孔工艺孔塞	Rubber plug	1	
12	101.03-34	小夹线器组件	Needle thread guide pin ASM.	1	
13	101.03-35	过线柱	Needle thread guide pin	(1)	
14	101.03-36	过线夹线板	Tension disc	(2)	
15	101.03-37	过线夹线簧	Tension spring	(1)	
16	101.03-38	过线夹线螺钉	Hinge screw SM3/32×56 L=4	(1)	
17	13-60124020-02	过线柱螺母	Nut SM3/16×28	(1)	
18	101.02-29	挑线杆护罩	Thread take-up lever cover	1	
19	11-40120625-01	挑线杆护罩螺钉	Screw SM3/16×28 L=6	1	
20	11-40120925-01	二眼线勾螺钉	Screw SM3/16×28 L=9	1	
21	101.03-16	右线勾	Arm thread guide a	1	
22	11-70110620-02	右线勾螺钉	Screw SM11/64×40 L=6	1	
23	101.03-19-00	夹线器组件	Pre-tension ASM.	1	M型用
	101.03-19-00XH	夹线器组件	Pre-tension ASM.	1	H、B型用
24	101.03-28	夹线器螺母	Tension nut	(1)	
25	101.03-27	夹线制动板	Tension disc stoppet	(1)	
26	101.03-26	夹线簧	Tension spring	(1)	M型用
	101.03-26XH	夹线弹簧	Tension spring	(1)	H、B型用
27	101.03-25	松线板	Tension disc holder	(1)	
28	101.03-24	夹线板	Tension disc	(2)	
29	101.03-21	夹线螺钉(柱)	Tension post	(1)	
30	101.03-20	挑线簧	Take-up spring	(1)	
31	101.03-19-01	挑线簧调节座	Tension post socket	(1)	
32	11-80090610-01	夹线座紧固螺钉	Screw SM9/64×40 L=5.5	(1)	
33	11-80150710-01	夹线器螺钉	Screw SM15/64x28 L=7	1	
34	101.03-23	松线钉	Thread release pin	1	
35	101.06-36	针板	Throat plate	1	M型用
	101.06-36XH	针板	Throat plate	1	H型用
	120.01-22	针板	Throat plate	1	B型用
36	11-20110920-02	针板螺钉	Screw SM11/64×40 L=8.5	2	
37	101.03-18	左线勾	Arm thread guide b	1	
38	11-70110620-02	左线勾螺钉	Screw SM11/64×40 L=6	1	
39	101.01-10	面板调节螺孔塞	Rubber plug	2	
40	11-40120925-01	面板螺钉	Screw SM3/16×28 L=9	3	
41	101.06-39	推板组件	Bed slide ASM.	1	
42	101.06-39-1	推板	Slide plate	(1)	
43	101.06-40	推板簧	Slide plate spring	(1)	
44	11-60060220-01	推板簧螺钉	Screw SM3/32x56 L=1.9	(2)	
45	101.01-15	底板支座	Bed screw stud SM15/64×28	4	
46	101.01-17	安装板	Connecting rod	1	
47	11-00110520-01	安装板定位螺钉	Screw SM11/64x40 L=5.5	2	

1. 机壳分组件 Arm Bed Components

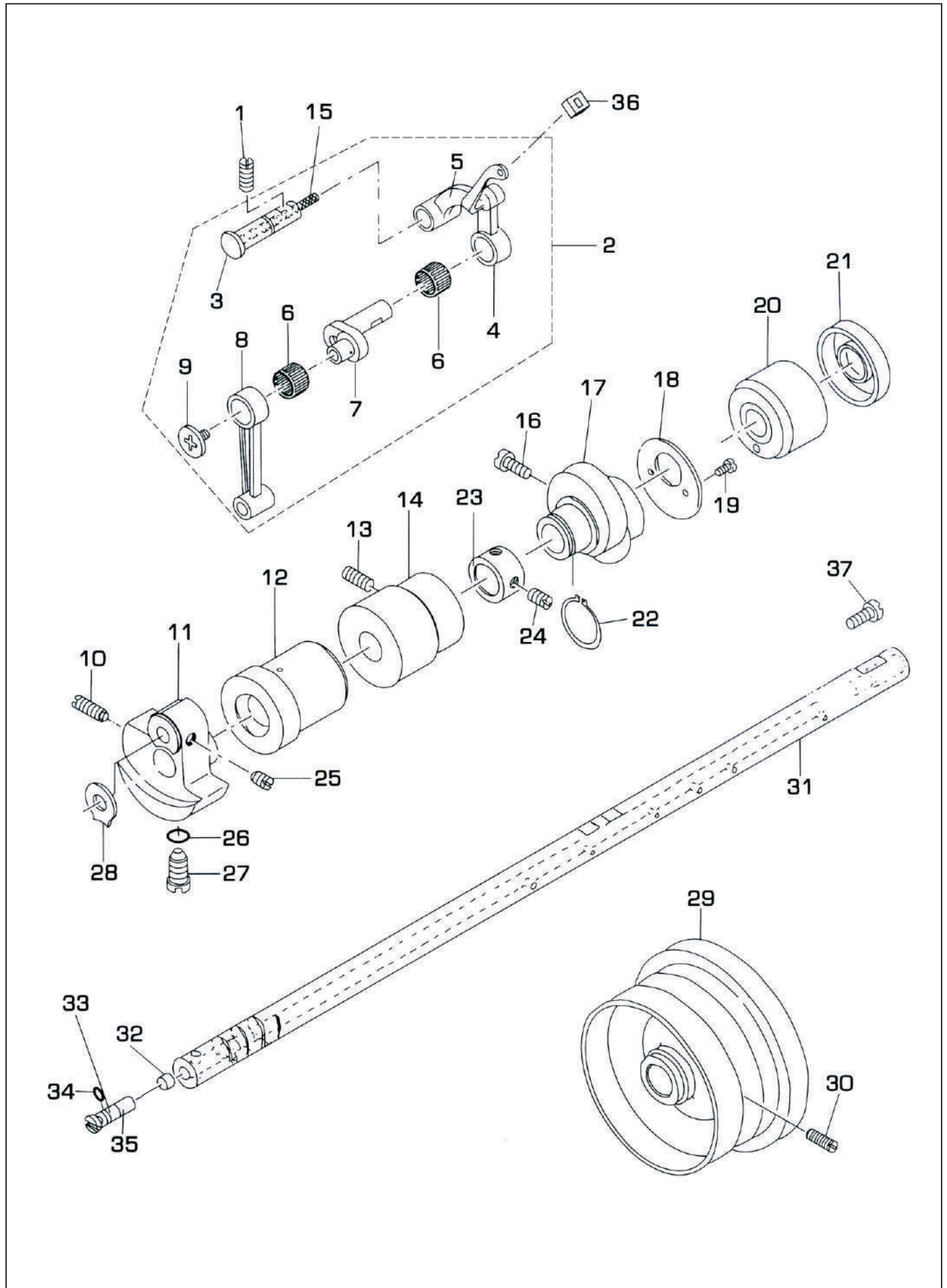


1. 机壳分组件 Arm Bed Components

序号 NO.	图号 REF NO.	名称	DESCRIPTION	数量 AMT	备注 NOTE
48	101.01-01-02	机壳	Arm	1	
49	101.01-01-01	底板	Bed	1	M、H型用
	101.01-01-01XH	底板	Bed	1	B型用
50	44-00000001-00	安全指示牌	Safety-indicating plate	1	
51	101.12-23	上轴保护套	Main shaft bushing	1	
52	101.01-14	型号牌铆钉	Model plate rivet	2	
53	101.01-13	型号牌	Model plate	1	
54	43-10250000-00	面部防油板油线 $\Phi 2.5 \times 75\text{mm}$	Oil wick	0.075	
55	101.03-14	二眼线勾	Two-hole thread eyelet	1	
56	101.01-08	商标牌	Brand plate	1	

2. 上轴及挑线杆分组件

Main Shaft & Thread Take-up Lever Components

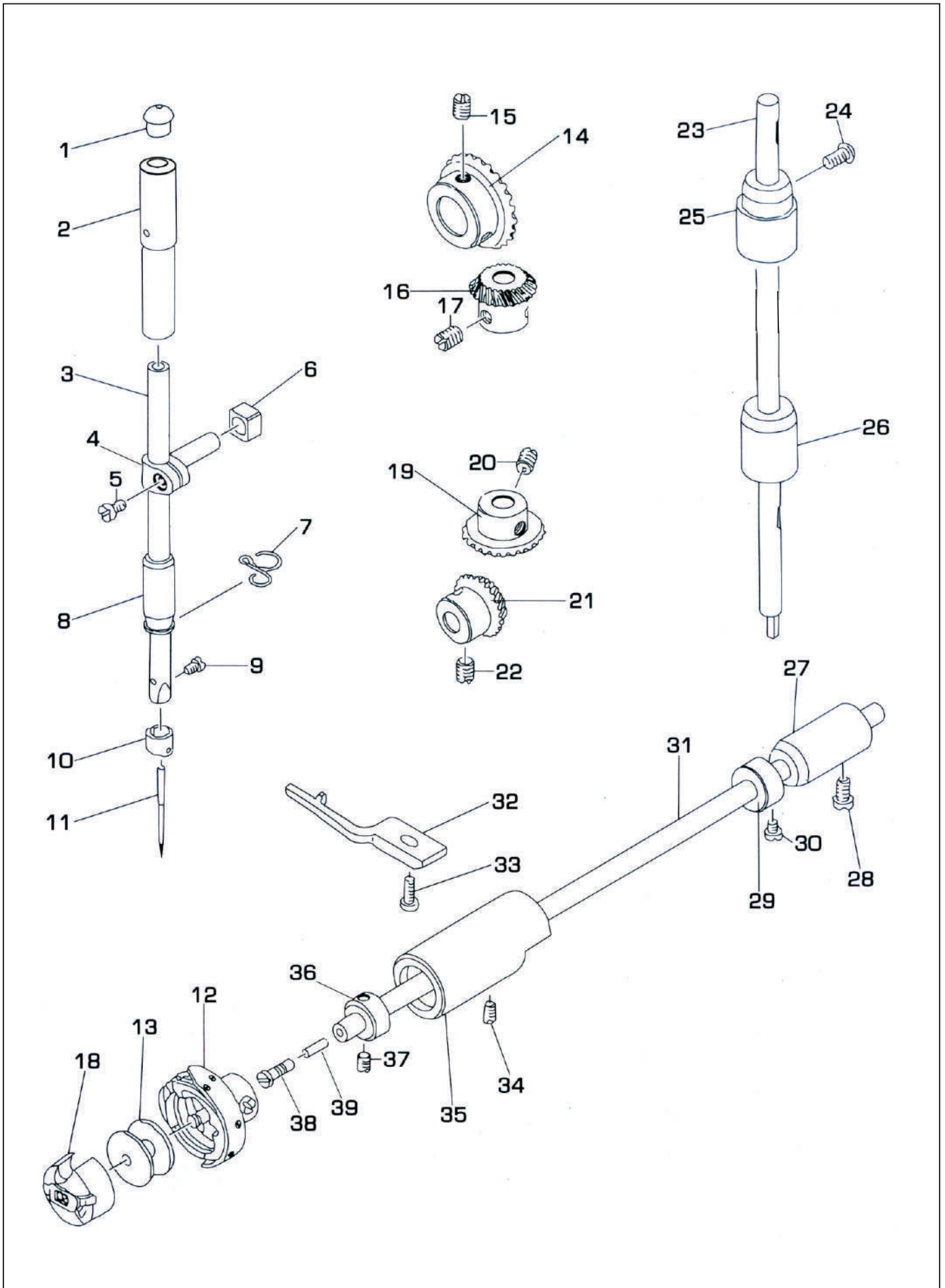


2. 上轴及挑线杆分组件

Main Shaft & Thread Take-up Lever

序号 NO.	图号 REF NO.	名称	DESCRIPTION	数量 AMT	备注 NOTE
1	11-80151150-01	挑线连杆销螺钉	Screw SM15/64x28 L=10.5	1	
2	101.02-22	挑线杆组件(大)	Thread take-up lever ASM.	1	M型用
	101.02-22XH	挑线杆组件(大)	Thread take-up lever ASM.	1	H、B型用
3	101.02-25	挑线连杆销	Thread take-up lever pin	(1)	
4	101.02-22-00	挑线杆组件	Thread take-up lever ASM.	(1)	M型用
	101.02-22-00XH	挑线杆组件	Thread take-up lever ASM.	(1)	H、B型用
5	101.02-22-05	挑线连杆	Thread take-up crank rod	(1)	M型用
	101.02-32XH	挑线连杆	Thread take-up crank rod	(1)	H、B型用
6	101.02-24	滚针轴承	Needle bearing b	(2)	
7	101.02-20-00	挑线曲柄组件	Needle bar crank ASM.	(1)	M型用
	101.02-20-00XH	挑线曲柄组件	Needle bar crank ASM.	(1)	H、B型用
8	101.03-01	针杆连杆	Needle bar crank rod	(1)	
9	101.02-28	挑线曲柄左旋螺钉	End screw left SM9/64x40 左	(1)	
10	11-80181650-01	针杆曲柄紧固螺钉	Screw SM9/32x28 L=16	1	
11	101.02-15	针杆曲柄	Counterweight	1	
12	101.02-10	上轴前轴套组件	Main shaft bushing front ASM.	1	
13	11-80150710-01	上轴中轴套螺钉	Screw SM15/64x28 L=7	1	
14	101.02-08	上轴中轴套	Main shaft bushing intermediate	1	
15	43-20300000-00	挑线连杆销油线 $\phi 3 \times 50\text{mm}$	Oil wick	0.05	
16	11-00161120-01	送料偏心轮螺钉	Screw SM1/4x40 L=11	2	
17	101.06-02	送料偏心轮	Feed drive eccentric cam	1	M型用
	101.06-02XH	送料偏心轮	Feed drive eccentric cam	1	H、B型用
18	101.06-04	送料偏心轮盖板	Feed drive eccentric cover	1	M型用
	101.06-04XH	送料偏心轮盖板	Feed drive eccentric cover	1	H、B型用
19	11-60090620-01	送料偏心轮盖板螺钉	Screw SM9/64x40 L=16	2	
20	101.02-05	上轴后轴套组件	Main shaft bushing rear ASM.	1	
21	32-14170360-09	上轴油封	Oil seal	1	
22	25-20000000-08	拾牙连杆轴用挡圈	Snap ring 18.5	1	
23	101.02-33	上轴挡圈	Thrust collar D=14.72 W=12	1	
24	11-80160710-01	上轴挡圈螺钉	Screw SM1/4x40 L=7	2	
25	11-80160610-01	针杆曲柄螺钉	Screw SM1/4x40 L=6	2	
26	31-04424000-09	定位螺钉O形圈	Rubber ring	1	
27	11-60181630-01	针杆曲柄定位螺钉	Screw SM9/32x28 L=16	1	
28	101.02-19	针杆曲柄护板	Counterweight protecting plate	1	
29	101.02-01	上轮	Hand wheel	1	
30	11-80151550-01	上轮螺钉	Screw SM15/64x28 L=15	2	
31	101.02-03	上轴	Main shaft	1	
32	101.02-11	曲柄油量限制垫	Roller felt	1	
33	101.02-12	曲柄油量调节销	Oil amount adjusting pin	1	
34	31-02818000-09	曲柄油量调节销O形圈	Rubber ring	1	
35	101.02-13	曲柄油量调节销套	Sleeve of oil amount adjusting pin	1	
36	101.02-23	挑线杆防油套	Rubber	1	
37	11-70201520-01	上轴后螺钉	Screw SM5/16x24 L=15	1	

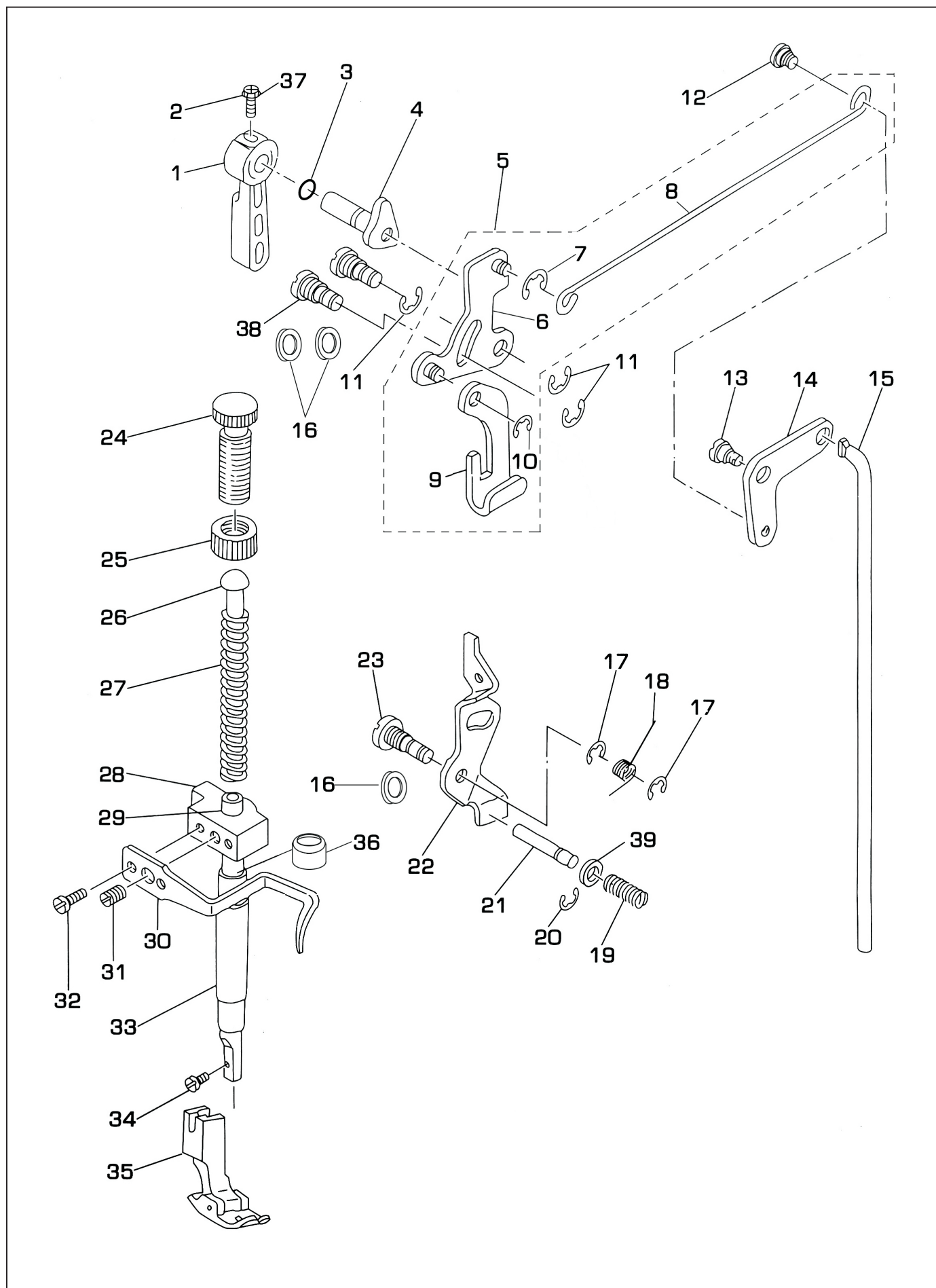
3. 针杆、旋梭轴分组件 Needle Bar & Hook Driving Shaft Components



3. 针杆、旋梭轴分组件 Needle Bar & Hook Driving Shaft Components

序号 NO.	图号 REF NO.	名称	DESCRIPTION	数量 AMT	备注 NOTE
1	101.03-07	针杆上衬套孔塞	Rubber plug	1	
2	101.03-06	针杆上衬套	Needle bar bushing rpper	1	
3	101.03-10	针杆	Needle bar	1	M型用
	101.03-10XH	针杆	Needle bar	1	H、B型用
4	101.03-03	针杆连接柱	Needle bar connection	1	
5	11-60090620-01	针杆连接柱螺钉	Screw SM9/64×40 L=6	1	
6	101.03-05	针杆连接柱滑块	Slide block	1	
7	101.03-09	针杆下轴套线勾	Needle bar thread guide	1	M型用
	101.03-09XH	针杆下轴套线勾	Needle bar thread guide	1	H、B型用
8	101.03-08	针杆下轴套	Needle bar bushing lower	1	M型用
	101.03-08XH	针杆下轴套	Needle bar bushing lower	1	H、B型用
9	11-60080520-01	支针螺钉	Screw SM1/8×44 L=5	1	
10	101.03-11	针杆过线环	Needle bar thread guide	1	M型用
	101.03-11XH	针杆过线环	Needle bar thread guide	1	H、B型用
11	101.03-13	机针 DB×1 #14	Needle DB×1 #14	1	M型用
	101.03-13XH	机针 DB×1 #21	Needle DB×1 #21	1	H、B型用
12	101.05-01	旋梭组件	Hook ASM.	1	M型用
	115.05-17	旋梭组件	Hook ASM.	1	H型用
	120.02-68	旋梭组件	Hook ASM.	1	B型用
13	101.05-03	梭心	Bobbin	1	M、H型用
	120.02-72	梭心	Bobbin	1	B型用
14	101.05-26	上轴伞齿轮	Gear ASM.	1	
15	11-80160810-01	伞齿轮螺钉	Screw SM1/4×40 L=8	2	
16	101.05-25	竖轴上伞齿轮	Ponion ASM.	1	
17	11-80160810-01	伞齿轮螺钉	Screw SM1/4×40 L=8	2	
18	101.05-02	梭心套	Bobbin case ASM.	1	M、H型用
	120.02-71	梭心套	Bobbin case ASM.	1	B型用
19	101.05-20	竖轴下伞齿轮	Gear ASM large	1	
20	11-80160810-01	伞齿轮螺钉	Screw SM1/4×40 L=8	2	
21	101.05-18	下轴伞齿轮	Pinion ASM.	1	
22	11-80160810-01	伞齿轮螺钉	Screw SM1/4×40 L=8	2	
23	101.05-24	竖轴	Upright shaft	1	
24	11-40120925-01	竖轴上轴套螺钉	Screw SM3/16x28 L=9	1	
25	101.05-22	竖轴上轴套	Upright shaft bushing upper	1	
26	101.05-21	竖轴下轴套	Upright shaft bushing lower	1	
27	101.05-14	下轴后轴套	Hok driving shaft bushing rear	1	
28	11-40121225-01	下轴后轴套螺钉	Screw SM3/16×28 L=12	1	
29	101.05-16	下轴挡油圈	Thrust collar ASM. D=7.94 W=10	1	
30	11-00110520-01	下轴挡油圈螺钉	Screw SM11/64×40 L=4.8	2	
31	101.05-07	下轴	Hook driving shaft	1	
32	101.05-05	旋梭定位钩	Positioning finger	1	M、H型用
	120.02-69	旋梭定位钩	Positioning finger	1	B型用
33	11-60111020-01	旋梭定位钩螺钉	Screw SM11/64×40 L=10	1	
34	11-80150810-01	下轴前轴套螺钉	Screw SM15/64×28 L=8	1	
35	101.05-12	下轴前轴套组件	Hook driving shaft bushing ASM ,front	1	
36	101.05-10	下轴挡油圈	Thrust collar ASM D=7.94 W=7	1	
37	11-80110410-01	下轴挡油圈螺钉	Screw SM11/64×40 L=3.5	2	
38	101.05-08	下轴限油螺钉	Oil seal screw ASM SM3/16×32	1	
39	101.05-09	下轴限油芯	Oil wick	1	

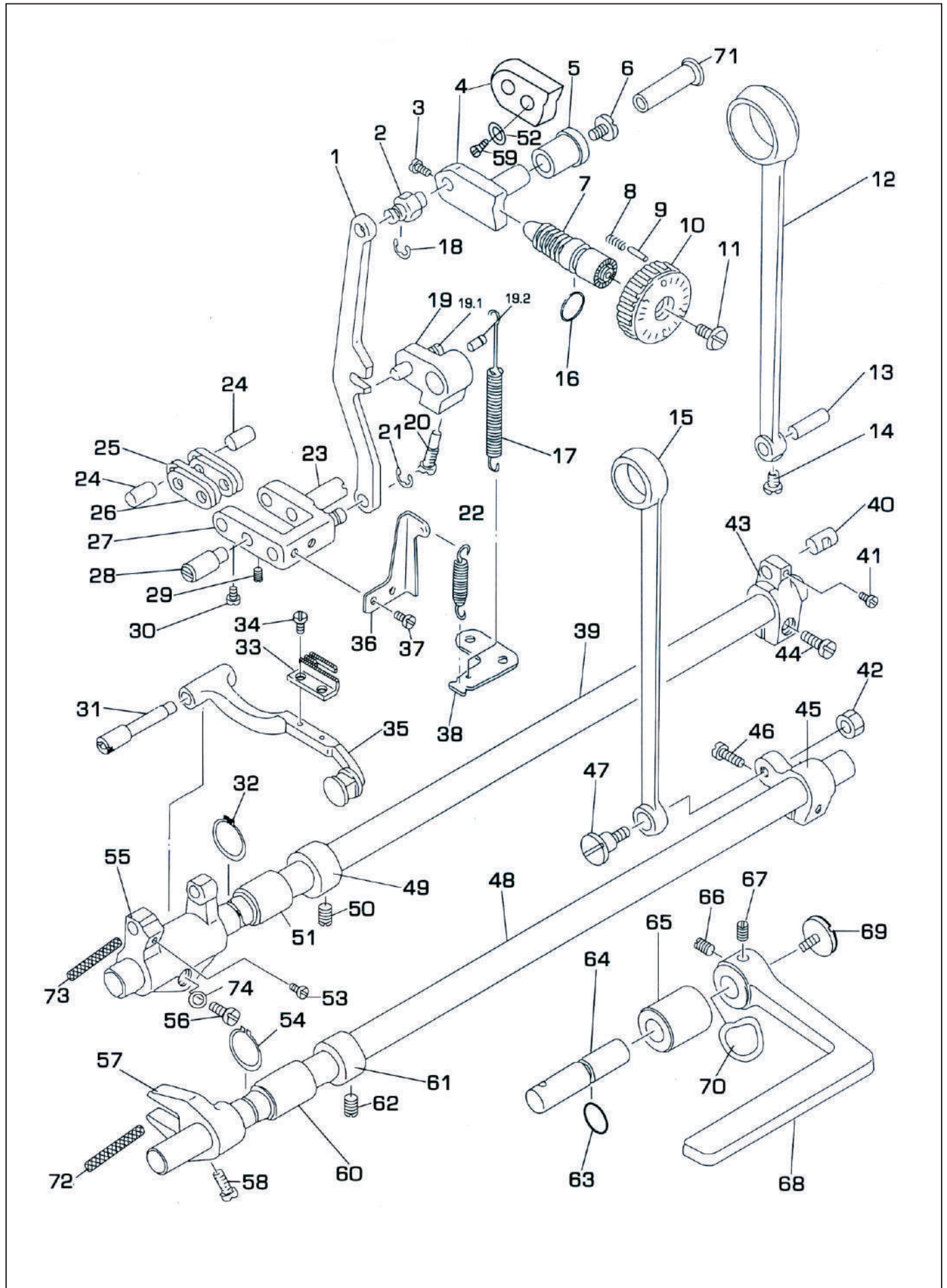
4. 提压脚分组件 Hand Lifter Components



4. 提压脚分组件 Hand Lifter Components

序号 NO.	图号 REF NO.	名称	DESCRIPTION	数量 AMT	备注 NOTE
1	101.04-13	压脚扳手	Hand lifter	1	
2	11-30091020-01	压脚扳手螺钉	Screw SM9/64×40 L=10	1	
3	31-04018000-09	压脚扳手轴O形圈	Rubber ring	1	
4	101.04-16-00	压脚扳手凸轮组件	Hand lifter cam ASM.	1	M型用
	101.04-16-00XH	压脚扳手凸轮组件	Hand lifter cam ASM.	1	H、B型用
5	101.04-19-00	抬压脚杠杆组件	Hand lifter link ASM.	1	
6	101.04-19	抬压脚前杠杆	Hand lifter link	(1)	
7	24-05000000-08	开口挡圈	Snap ring 5	(1)	
8	101.04-28	抬压脚拉杆	Lifting lever connecting rod	(1)	
9	101.04-18	压脚升降板	Lifting lever	(1)	
10	24-05000000-08	开口挡圈	Lifting lever ring	(1)	
11	24-05000000-08	开口挡圈	Snap ring 5	3	
12	101.04-32	抬压脚拉杆螺钉	Hinge screw SM3/16×32	1	
13	101.04-31	后杠杆轴位螺钉	Hinge screw SM15/64×28	1	
14	101.04-30	抬压脚后杠杆	Lifting lever ring	1	
15	101.04-33	抬压脚顶杆	Connecting rod vertical	1	
16	101.04-21	螺纹销密封垫圈	Washer plate	3	
17	24-05000000-08	开口挡圈	Snap ring 5	2	
18	101.04-27	松线顶板复位簧	Tension release return spring	1	
19	101.03-33	松线辅钉弹簧	Tension release pin spring	1	
20	24-04000000-08	松线辅钉开口挡圈	Snap ring 4	1	
21	101.03-30	松线辅钉	Tension release supporting pin	1	
22	101.04-24	松线顶板	Tension release plate	1	
23	101.04-25	松线顶板螺纹销	Tension release shaft SM5/16×24	1	
24	101.04-01	调压螺钉	Presser regulator screw SM1/2×28	1	M型用
	101.04-01XH	调压螺钉	Presser regulator screw SM1/2×28	1	H、B型用
25	101.04-02	调压螺母	Presser regulator nut SM1/2×28	1	M型用
	101.04-02XH	调压螺母	Presser regulator nut SM1/2×28	1	H、B型用
26	101.04-03	调压导杆	Presser guide bar	1	
27	101.04-04	调压簧	Presser spring	1	
28	101.04-06	压杆导架	Presser bar guide bracket	1	
29	101.04-05	压杆	Presser bar	1	
30	101.04-08	缓线调节钩	Presser bar thread guide	1	
31	11-80160810-01	压杆导架螺钉	Screw SM1/4×40 L=8	1	
32	11-40090825-01	缓线调节钩螺钉	Screw SM9/64×40 L=8.5	2	
33	101.04-10	压杆衬套	Presser bar bushing lower	1	M型用
	101.04-10XH	压杆衬套	Presser bar bushing lower	1	H、B型用
34	11-60091120-01	活压脚螺钉	Screw SM9/64×40 L=10.5	1	
35	109.04-41	活压脚组件	Presser foot ASM.	1	M型用
	101.04-11-00XH	活压脚组件	Presser foot ASM.	1	H、B型用
36	101.04-34	压杆轴套锥形防油套	Rubber bushing	1	
37	21-03810080-01	压脚扳手螺钉垫圈	Washer plate	1	
38	101.04-20	前杠杆螺纹销	Link shaft SM5/16×24	2	
39	101.03-32	松线辅钉垫片	Washer plate	1	

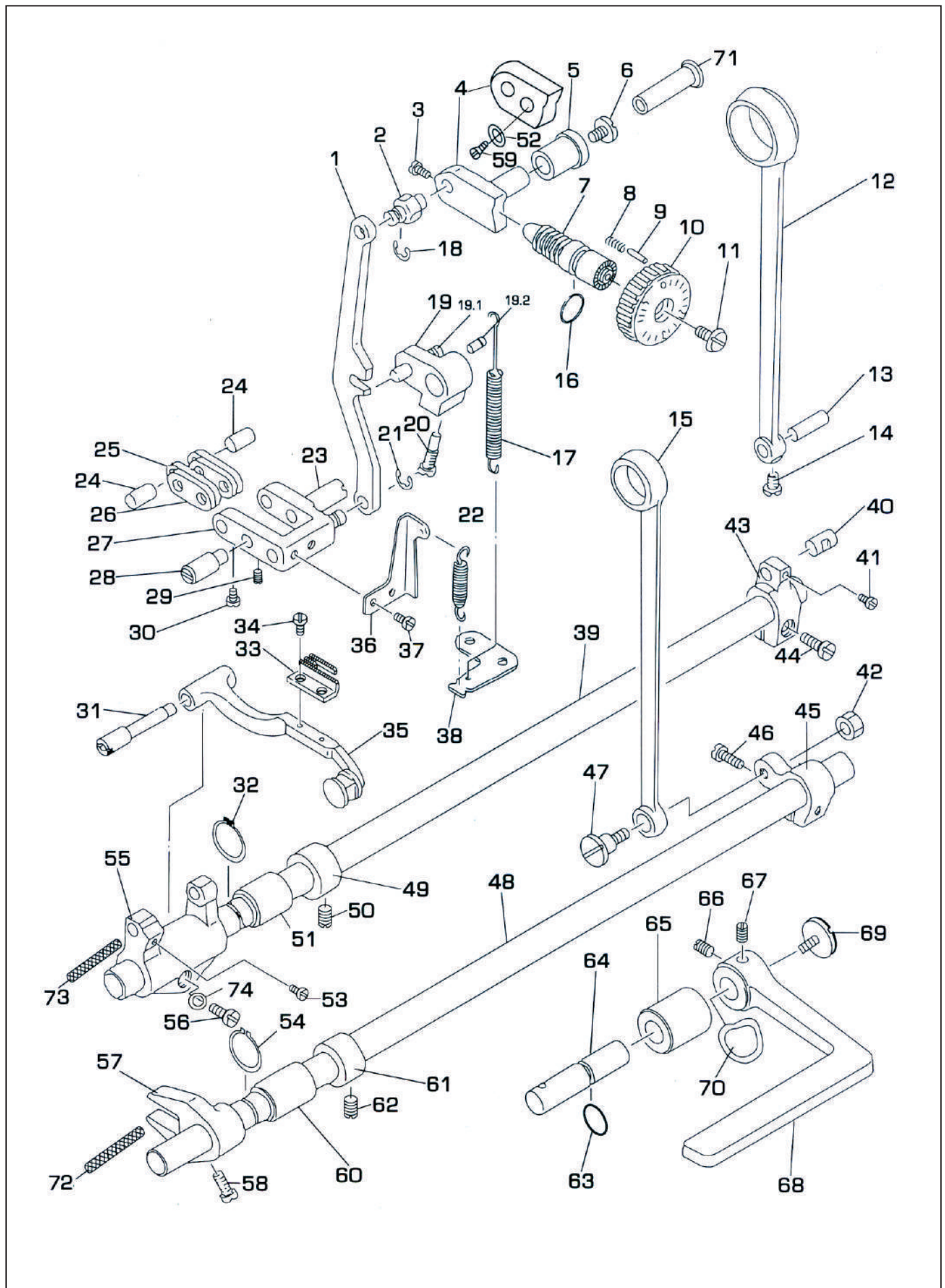
5. 送料分组件 Feed Mechanism Components



5. 送料分组件 Feed Mechanism Components

序号 NO.	图号 REF NO.	名称	DESCRIPTION	数量 AMT	备注 NOTE
1	101.07-12	倒送料连杆	Feed regulator connecting rod	1	M型用
	101.07-12XH	倒送料连杆	Feed regulator connecting rod	1	H、B型用
2	101.07-10	倒送料连杆销	Feed regulator pin	1	M型用
	101.07-10XH	倒送料连杆销	Feed regulator pin	1	H、B型用
3	11-60090620-01	送料连杆销螺钉	Screw SM9/64×40 L=6	2	
4	101.07-07	送料调节器	Feed regulator	1	M型用
	101.07-07XH	送料调节器	Feed regulator	1	H、B型用
5	101.07-08	送料调节器轴套	Feed regulatr bushing	1	
6	101.07-09	送料调节座轴端螺钉	Screw SM3/16×28	1	
7	101.07-03	送料调节螺柱	Feed regulator screw	1	
8	101.07-06	送料距锁合簧	Spring	1	
9	101.07-05	送料距锁合销	Pin	1	
10	101.07-01	送料距旋钮	Feed dial	1	M型用
	101.07-01XH	送料距旋钮	Feed dial	1	H、B型用
11	11-70121820-01	送料距旋钮螺钉	Screw SM3/16×28 L=18	1	
12	101.06-06	送料连杆	Rocker shaft connecting rod	1	M型用
	101.06-06XH	送料连杆	Rocker shaft connecting rod	1	H、B型用
13	101.06-07	送料连杆销	Walking foot pin c	1	
14	11-00090620-01	送料连杆销螺钉	Screw SM9/64×40 L=6	1	
15	101.06-49	拾牙连杆	Connecting rod	1	
16	31-09428000-09	送料调节螺柱O形圈	Rubber ring	1	
17	101.07-22	倒送料拉簧	Feed reverse spring	1	M型用
	101.07-22XH	倒送料拉簧	Feed reverse spring	1	H、B型用
18	24-05000000-08	开口挡圈	Snap ring 5	1	
19	101.07-20-01	倒送料曲柄	Feed reverse crank	1	M型用
	101.07-20-01XH	倒送料曲柄	Feed reverse crank	1	H、B型用
19.1	101.07-20-02	倒送料曲柄销	Pin	(1)	
19.2	101.07-20-03XH	销子	Pin	(1)	H、B型用
20	11-60121420-01	倒送料曲柄螺钉	Feed reverse arm screw SM1/4×40 L=20	1	M型用
	11-40121425-01	倒送料曲柄螺钉	Feed reverse arm screw SM3/16×28 L=14	1	H、B型用
21	24-05000000-08	开口挡圈	Snap ring 5	1	
22	101.07-26	摆动板座复位簧	Adjusting link spring	1	M型用
	101.07-26XH	摆动板座复位簧	Adjusting link spring	1	H、B型用
23	101.06-16	送料摆动板座右销	Adjusting link fulcrum shaft b	1	
24	101.06-11	短摆动座连接销	Walking foot pin a	2	
25	101.06-09	送料长摆动板	Walking foot long link	2	
26	101.06-10	送料短摆动板	Connecting short link a	2	
27	101.06-13-00	倒送料摆动板座组件	Walking foot adjusting link	1	M型用
	101.06-13-00XH	倒送料摆动板座组件	Walking foot adjusting link	1	H、B型用
28	101.06-14	送料摆动板座右销	Adjusting link fulcrum shaft a	1	
29	11-80151150-01	螺钉	Screw SM15/64×28 L=11	2	
30	11-00090620-01	连接销螺钉	Screw SM9/64×40 L=6	2	
31	101.06-32	牙架销	Feed bar shaft	1	
32	25-15000000-08	送料轴轴用挡圈	Retaining ring	1	
33	101.06-34	送料牙	Feed dog a	1	M型用
	101.06-34XH	送料牙	Feed dog a	1	H型用
	120.04-04	送料牙	Feed dog a	1	B型用
34	11-60080620-01	送料牙螺钉	Screw SM1/8×44 L=6	2	

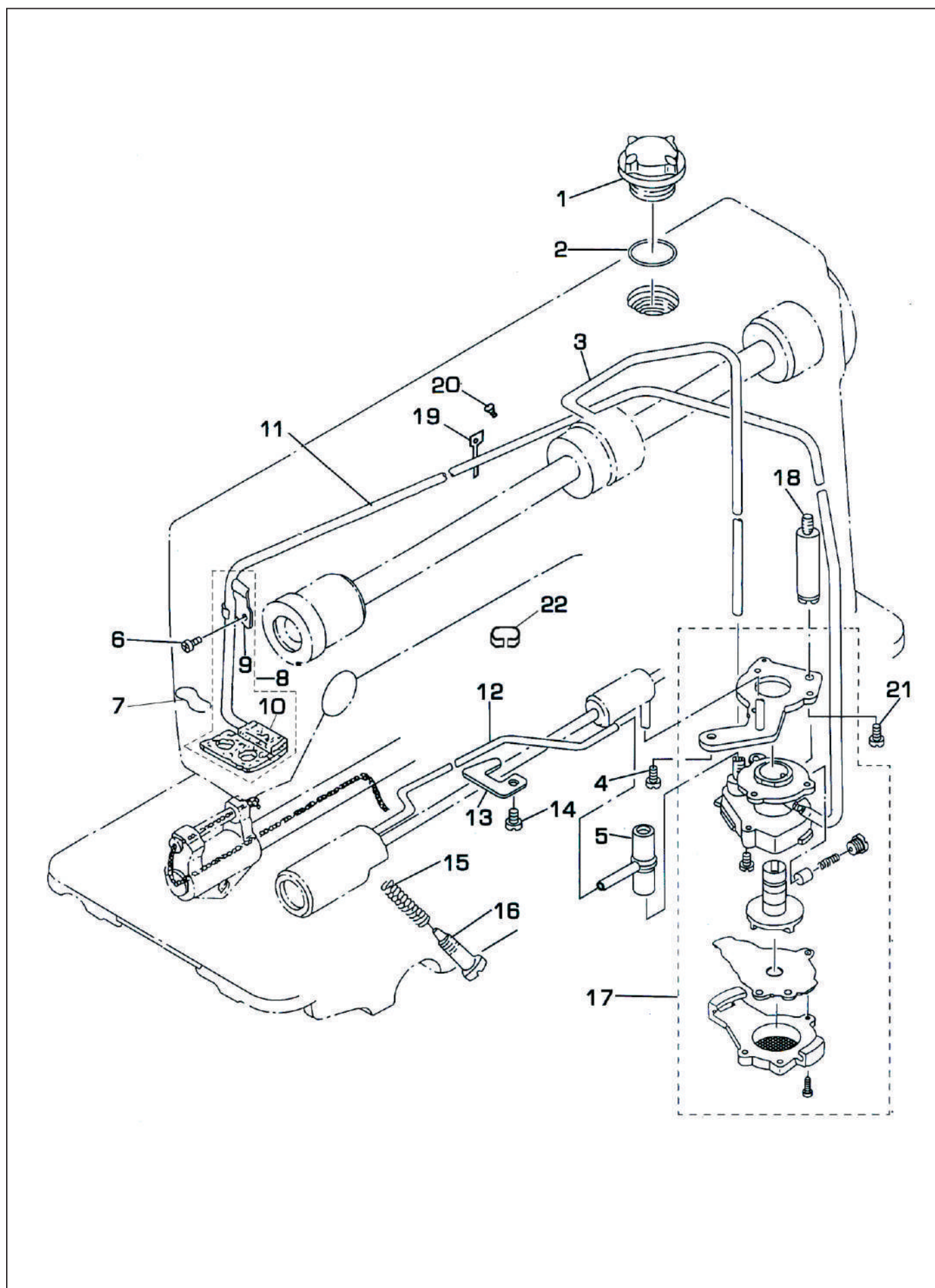
5. 送料分组件 Feed Mechanism Components



5. 送料分组件 Feed Mechanism Components

序号 NO.	图号 REF NO.	名称	DESCRIPTION	数量 AMT	备注 NOTE
35	101.06-31-00	牙架组件	Feed bar ASM.	1	
36	101.07-24	摆动板座复位板	Adjusting link spring guide	1	M型用
37	11-60110520-01	摆动板座复位板螺钉	Screw SM11/64×40 L=5	2	M型用
38	101.07-23	拉簧固定板	Feed spring hook	1	M型用
	101.07-23XH	拉簧固定板	Feed spring hook	1	H、B型用
39	101.06-22	送料轴	Feed rocker shaft	1	
40	101.06-19	送料曲柄销	Walking foot pin b	1	
41	11-00090620-01	送料曲柄销螺钉	Screw SM9/64×40 L=6	1	
42	13-60184020-01	拾牙连杆轴位螺母	Nut SM9/32×28	1	
43	101.06-18	送料曲柄	Feed rocker shaft crank	1	M型用
	101.06-18XH	送料曲柄	Feed rocker shaft crank	1	H、B型用
44	11-40121425-01	送料曲柄螺钉	Screw SM3/16×28 L=14	1	
45	101.06-47	拾牙曲柄	Rear crank	1	
46	11-40121225-01	拾牙曲柄螺钉	Screw SM3/16×28 L=12	1	
47	101.06-50	拾牙连杆轴位螺钉	Hinge screw	1	
48	101.06-44	拾牙轴	Feed driving shaft	1	
49	101.02-06	送料轴挡圈	Thrust collar D=14.72 W=12	1	
50	11-80160610-01	送料轴挡圈螺钉	Screw SM1/4×40 L=6	2	
51	101.06-26	送料轴轴套	Feed rocker shaft bushing	1	
52	21-06520150-01	送料调节器轴垫圈	Washer	1	H、B型用
53	11-40110725-01-01	牙架轴紧固螺钉	Screw SM11/64×40 L=7	1	
54	25-15000000-08	拾牙轴轴用挡圈	Retaining ring	1	
55	101.06-28	牙架座	Feed rocker ASM.	1	
56	11-40121425-01	牙架座螺钉	Screw SM3/16×28 L=14	1	
57	101.06-42	拾牙叉形曲柄	Driving shaft crank ASM ,front	1	
58	11-40111025-01	拾牙叉形曲柄螺钉	Screw SM11/64×40 L=10.5	1	
59	11-90161020-01	送料调节器轴螺栓	Screw SM1/4×40 L=10	1	H、B型用
60	101.06-26	拾牙轴轴套	Feed rocker shaft bushing	1	
61	101.02-06	拾牙轴挡圈	Thrust collar ASM D=14.72 W=12	1	
62	11-80160610-01	拾牙轴挡圈螺钉	Screw SM1/4×40 L=6	2	
63	31-08018000-09	倒送料轴O形圈	Rubber ring	1	
64	101.07-14	倒送料轴	Feed reverse shaft	1	M型用
	101.07-14XH	倒送料轴	Feed reverse shaft	1	H、B型用
65	101.07-16	倒送料轴套	Feed reverse bushing	1	
66	11-80150810-01	倒送料扳手紧固螺钉	Screw SM15/64×28 L=8	1	
67	11-80150810-01	倒送料扳手定位螺钉	Screw SM15/64×28 L=8	1	
68	101.07-17	倒送料扳手	Reverse feed control lever	1	
69	423.06-45	倒送料轴端螺钉	Screw SM3/16×32	1	H、B型用
70	23-13003170-09	三波浪形弹性垫圈	Washer GB955-87	1	H、B型用
71	101.07-28XH	送料调节器轴	Feed adjusting shaft	1	H、B型用
72	43-10250000-00	油线 Φ2.5×250mm	Oil wick	0.25	
73	43-10250000-00	油线 Φ2.5×720mm	Oil wick	0.72	
74	21-04808080-01	垫圈	Washer	1	

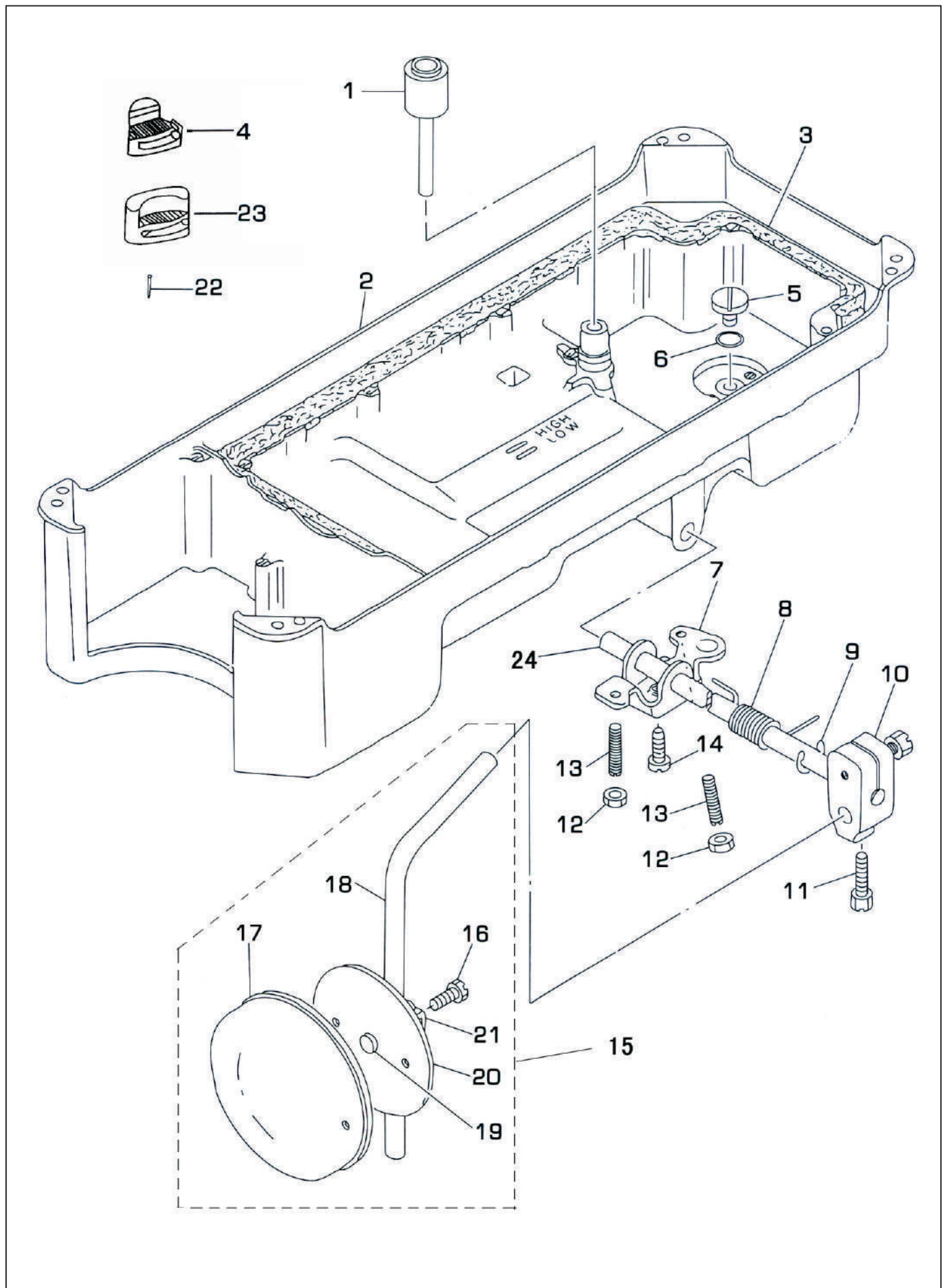
6. 润滑分组件 Oil Lubrication Components



6. 润滑分组件 Oil Lubrication Components

序号 NO.	图号 REF NO.	名称	DESCRIPTION	数量 AMT	备注 NOTE
1	101.08-25	油窗	Oil sight window	1	
2	31-20024000-09	油窗O形圈	Rubber ring	1	
3	101.08-19	上轴供油管	Main shaft oil tube	1	
4	11-40150925-01	油泵安装螺钉	Screw SM15/64×28 L=9	1	
5	101.08-18	供油管接头	Rubber joint	1	
6	11-40120625-01	回油管夹螺钉	Screw SM3/16×28 L=6	1	
7	101.08-33	回油毡夹	Oil felt presser	1	
8	101.08-28-00	回油管组件	Oil return tube holder ASM.	1	
9	101.08-28	回油管夹	Oil return tube holder	(1)	
10	101.08-30	回油毡组件	Oil return tube plate ASM.	(1)	
11	42-05003000-00	回油管	Oil return tube	(0.66)	
12	101.08-20	旋梭轴供油管	Oil tube	1	
13	101.08-23	旋梭轴供油管压板	Tube holder (lower)	1	
14	11-40150925-01	压板螺钉	Screw SM15/64×28 L=9	1	
15	101.08-22	旋梭油量调节簧	Spring	1	
16	101.08-21	旋梭油量调节螺钉	Oil adjusting screw	1	
17	101.08-01-00	油泵组件	Lubricating oil pump ASM.	1	
18	101.08-16	油泵连接螺柱	Oil pump support SM15/64×28	1	
19	101.08-37	回油管压板	Oil return clamp	1	
20	11-40120625-01	回油管压板螺钉	Screw SM3/16×28 L=6	1	
21	11-40111025-01D	螺柱连接螺钉	Screw SM11/64×40 L=9.5	1	
22	124.09-44	毛线夹	Holder	1	

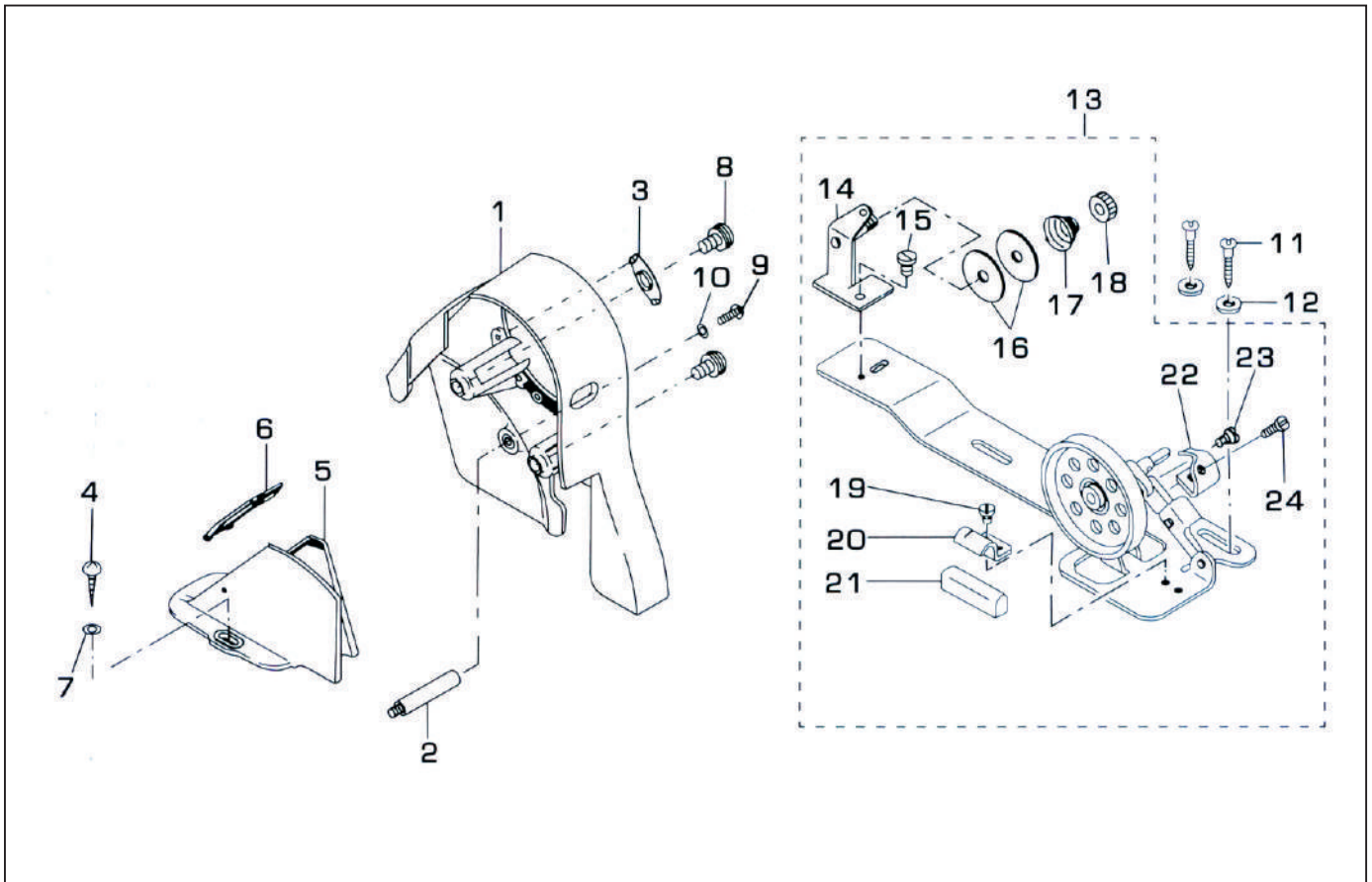
7. 油盘分组件 Oil Reservoir Components



7. 油盘分组件 Oil Reservoir Components

序号 NO.	图号 REF NO.	名称	DESCRIPTION	数量 AMT	备注 NOTE
1	101.09-02	抬压脚顶销	Knee press lifter rod	1	
2	101.09-01	油盘	Oil reservoir	1	
3	101.09-03	油盘衬垫	Gasket	1	
4	101.09-27	油盘支座（小）	Oil reservoir felt cushion (small)	2	
5	11-70200720-01	排油孔螺钉	Screw SM5/16×24 L=7	1	
6	31-06224000-09	油塞螺钉O型密封圈	Rubber ring	1	
7	101.09-07	抬压脚双向曲柄	Connecting rod vertical	1	
8	101.09-08	抬压脚曲柄簧	Spring	1	
9	24-10000000-09	抬压脚轴开口挡圈	Snap ring 10	1	
10	101.09-10	抬压脚操纵杆接头	Knee press rod bearing bracket	1	
11	12-90801423-02	抬压脚操纵接头螺钉	Screw M8 L=14	2	
12	14-60603320-02	限位调节螺母	Nut M6	2	
13	12-80603050-02	限位调节螺钉	Screw M6 L=30	2	
14	12-90601633-02	抬压脚双向曲柄螺钉	Screw M6 L=16	1	
15	101.09-15-00	操纵杆组件	Knee lifter plate rod ASM.	1	
16	11-90151520-01	操纵杆夹头螺钉	Screw SM15/64×28 L=15	(1)	
17	101.09-20	操纵板软垫	Knee press plate ASM.	(1)	
18	101.09-15	操纵杆	Knee lifter plate rod	(1)	
19	101.09-18	操纵杆垫块	Rubber	(1)	
20	101.09-19	操纵板	Knee press plate	(1)	
21	101.09-17	操纵杆夹头	Lnee press plate holder	(1)	
22	101.12-03	油盘座钉	Nail	4	
23	101-09-26	油盘支座（大）	Oil reservoir rubber cushion (big)	2	
24	101.09-06	膝抬压脚轴	Knee press rod	1	

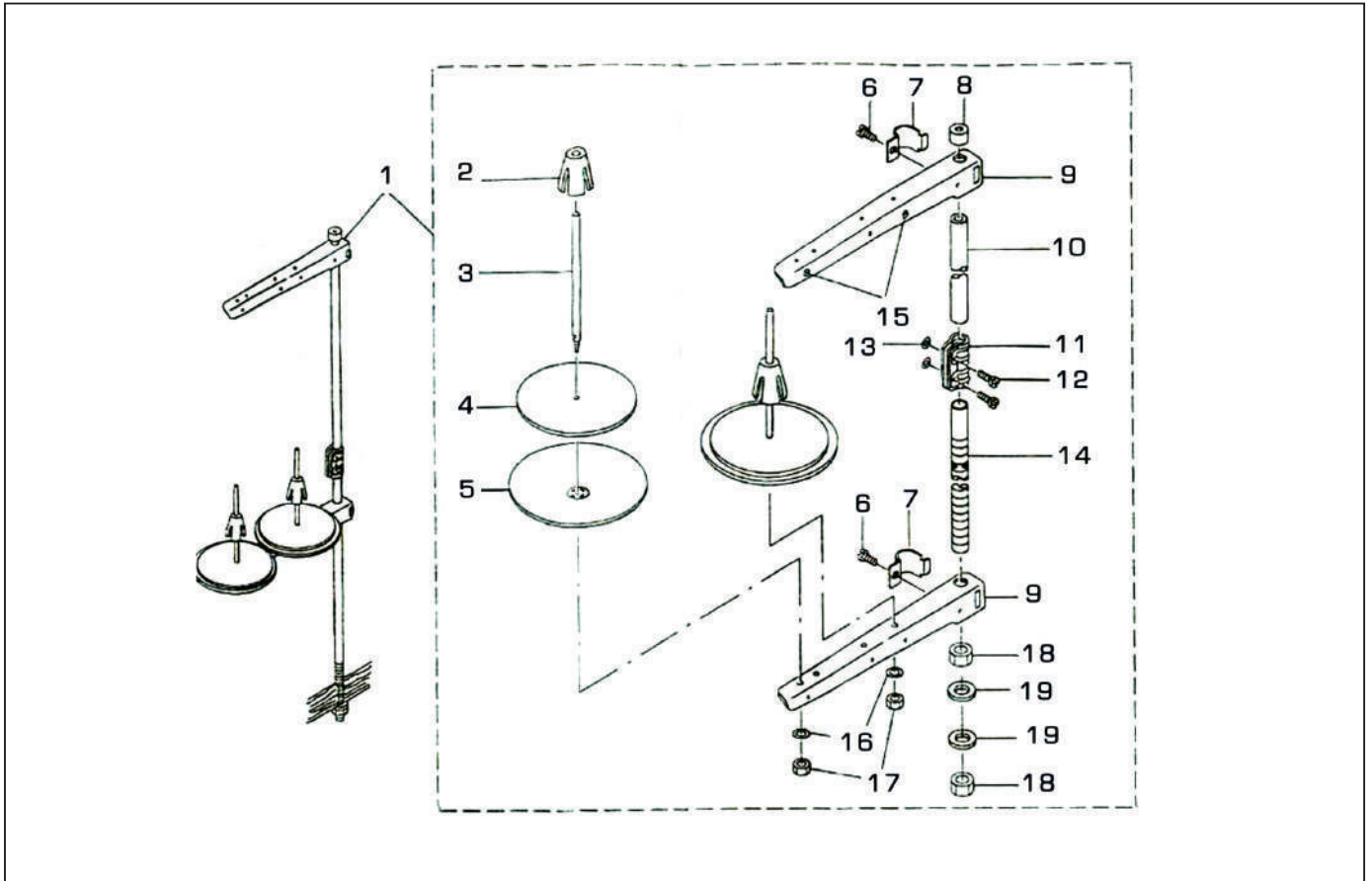
8. 皮带罩、绕线器分组件 Belt Cover Bobbin Winger Components



8. 皮带罩、绕线器分组件 Belt Cover Bobbin Winger Components

序号 NO.	图号 REF NO.	名称	DESCRIPTION	数量 AMT	备注 NOTE
1	101.12-04-00	带轮前罩壳	Belt cover ,a	1	
2	101.12-11	后罩壳支柱	Belt cover support	1	
3	101.12-05	前罩壳安装架	Belt cover, a cap	1	
4	101.12-08	木螺钉	Wood screw D=4.1 L=20	2	
5	101.12-06	上轮后罩壳	Belt cover ,b	1	
6	101.12-07	上轮后罩壳盖板	Belt cover ,b cover ASM.	1	
7	21-04608100-03	木螺钉垫圈	Washer 4.5×10×0.8	2	
8	11-40201725-01	前罩壳紧固螺钉	Belt cover,a screw SM5/16×24 L=17	2	
9	11-40121425-01	支柱螺钉	Screw SM3/16×28 L=14	1	
10	21-05010110-01	螺钉垫圈	Washer 5×10.5×1	1	
11	101.10-01-00	木螺钉	Wood screw D=4.1 L=20	2	
12	21-04608100-03	木螺钉垫圈	Washer 4.5×10×0.8	2	
13	101.10-01-00	绕线器组件	Bobbin winder ASM.	1	
14	101.10-18	过线架座	Thread tension ASM.	(1)	
15	11-40110525-01	过线架座紧固螺钉	Screw SM11/64×40 L=7.8	(1)	
16	101.10-20	过线夹线板	Thread tension disk	(2)	
17	101.10-21	过线夹线簧	Thread tension spring	(1)	
18	101.10-22	过线夹线螺母	Tension nut	(2)	
19	11-60110320-01	制动垫夹螺钉	Screw SM11/64×40 L=3	(1)	
20	101.10-14	制动垫夹	Presser plate	(1)	
21	101.10-13	绕丝轮制动垫	Rubber brake	(1)	
22	101.10-16	满线跳板簧	Positioning finger	(1)	
23	101.10-10	绕线连杆轴位螺钉	Hinge screw D=4.9 H=2.6	(1)	
24	11-70081320-01	满线跳板簧螺钉	Screw SM1/8×44 L=12.5	(1)	

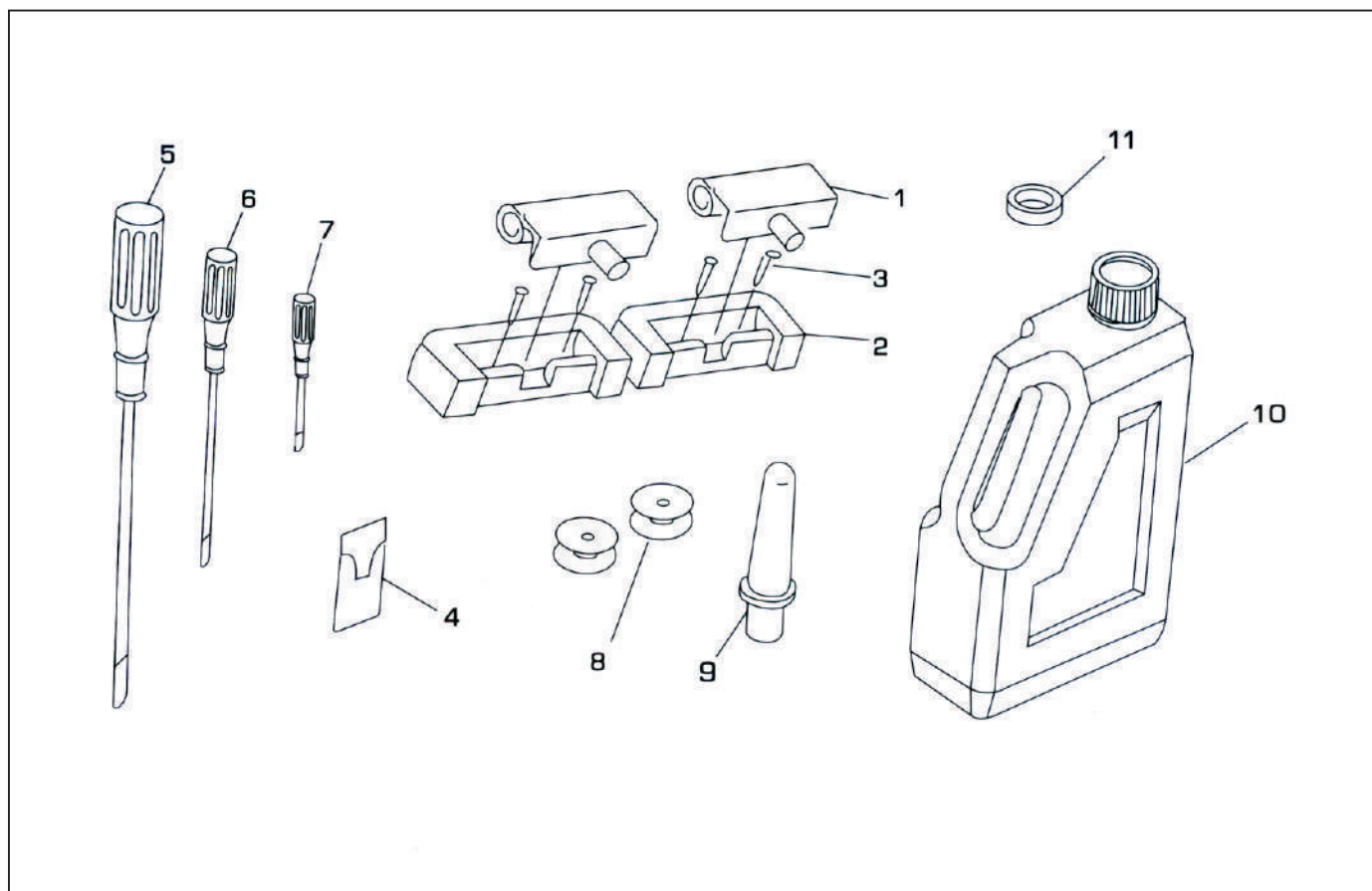
9. 线架分组件 Thread Stand Components



9. 线架分组件 Thread Stand Components

序号 NO.	图号 REF NO.	名称	DESCRIPTION	数量 AMT	备注 NOTE
1	101.11-01	线架组件	Thread stand ASM.	1	
2	279.12-00-22	线盘芯	Spool retainer	(2)	
3	279.12-00-23	线盘钉	Spool pin	(2)	
4	279.12-00-24	线盘垫	Spool rest cushion	(2)	
5	279.12-00-25	线圈托盘	Spool rest	(2)	
6	279.12-00-04	螺钉	Screw M6 L=18	(2)	
7	279.12-00-03	线臂抱攀	Thresd guide arm joint	(2)	
8	279.12-00-01	上直管盖帽	Spool rest rod rjbbber cap	(1)	
9	279.12-00-08	短固线臂	Spool rest arm	(2)	
10	279.12-00-02	线架上直管	Spool rest rod upper	(1)	
11	279.12-00-15	直管接头	Spool rest rod joint	(1)	
12	279.12-00-16	紧固螺钉	Screw M5 L=16	(2)	
13	279.12-00-14	紧固螺母	Nut M5	(2)	
14	279.12-00-19	下直管	Spool rest rod, lower	(1)	
15	279.12-00-07	引线圈	Thread guide	(2)	
16	279.12-00-26	弹性垫圈	Spring washer	(2)	
17	279.12-00-27	螺帽	Nut M5	(2)	
18	279.12-00-20	螺帽	Nut M16x1.5	(2)	
19	279.12-00-21	防震垫	Washer 16.1x30x2.6	(2)	

10. 附件 Accessories



10. 附件 Accessories

序号 NO.	图号 REF NO.	名称	DESCRIPTION	数量 AMT	备注 NOTE
1	101.12-01	机头连接钩	Machine hinge	2	
2	120.09-02	机头连接钩座	Machine hinge plate	2	
3	101.12-03	机头连接钩座钉	Machine hinge nail	4	
4	101.03-13	机针DB×1 14#	Needles 1 bag	1包	M型用
	101.03-13XH	机针DB×1 21#	Needles 1 bag	1包	H、B型用
5	101.12-15	螺丝刀（大）	Screw driver (L)	1	
6	101.12-16	螺丝刀（中）	Screw driver (M)	1	
7	101.12-17	螺丝刀（小）	Screw driver (S)	1	
8	101.05-03	梭心	Bobbin	2	M、H型用
	120.02-72	梭心	Bobbin	2	B型用
9	101.12-19	机头支柱	Head pole	1	
10	101.12-21	油箱	Oil bottle with oil	1	
11	101.09-22	油盘磁铁	Oil reservoir magnet	1	

11. 索引 Index

序号 NO.	图号 REF NO.	数量 AMT.
1/49	101.01-01-01	1
1/49	101.01-01-01XH	1
1/48	101.01-01-02	1
1/10	101.01-02	1
1/11	101.01-03	1
1/8	101.01-04	1
1/9	101.01-05	1
1/1	101.01-07	1
1/55	101.01-08	1
1/2	101.01-09	1
1/39	101.01-10	2
1/6	101.01-11	1
1/5	101.01-12	2
1/53	101.01-13	1
1/53	101.01-13H	1
1/53	101.01-13XH	1
1/52	101.01-14	2
1/45	101.01-15	4
1/46	101.01-17	1
2/29	101.02-01	1
2/31	101.02-03	1
2/20	101.02-05	1
5/49	101.02-06	1
5/61	101.02-06	1
2/14	101.02-08	1
2/12	101.02-10	1
2/32	101.02-11	1
2/33	101.02-12	1
2/35	101.02-13	1
2/11	101.02-15	1
2/28	101.02-19	1
2/7	101.02-20-00	(1)
2/7	101.02-20-00XH	(1)
2/2	101.02-22	1
2/4	101.02-22-00	(1)
2/4	101.02-22-00XH	(1)
2/5	101.02-22-05	(1)
2/2	101.02-22XH	1
2/36	101.02-23	1
2/6	101.02-24	(2)
2/3	101.02-25	(1)
2/9	101.02-28	(1)
1/18	101.02-29	1
2/5	101.02-32XH	(1)
2/23	101.02-33	1
2/8	101.03-01	(1)
3/4	101.03-03	1
3/6	101.03-05	1
3/2	101.03-06	1
3/1	101.03-07	1
3/8	101.03-08	1
3/8	101.03-08XH	1
3/7	101.03-09	1
3/7	101.03-09XH	1
3/3	101.03-10	1
3/3	101.03-10XH	1
3/10	101.03-11	1
3/10	101.03-11XH	1
3/11	101.03-13	1
10/4	101.03-13	1包
3/11	101.03-13XH	1
10/4	101.03-13XH	1包
1/55	101.03-14	1
1/21	101.03-16	1
1/37	101.03-18	1
1/23	101.03-19-00	1

序号 NO.	图号 REF NO.	数量 AMT.
1/23	101.03-19-00XH	1
1/31	101.03-19-01	(1)
1/30	101.03-20	(1)
1/29	101.03-21	(1)
1/34	101.03-23	1
1/28	101.03-24	(2)
1/27	101.03-25	(1)
1/26	101.03-26	(1)
1/26	101.03-26XH	(1)
1/25	101.03-27	(1)
1/24	101.03-28	(1)
4/21	101.03-30	1
4/39	101.03-32	1
4/19	101.03-33	1
1/12	101.03-34	1
1/13	101.03-35	(1)
1/14	101.03-36	(2)
1/15	101.03-37	(1)
1/16	101.03-38	(1)
4/24	101.04-01	1
4/24	101.04-01XH	1
4/25	101.04-02	1
4/25	101.04-02XH	1
4/26	101.04-03	1
4/27	101.04-04	1
4/29	101.04-05	1
4/28	101.04-06	1
4/30	101.04-08	1
4/33	101.04-10	1
4/33	101.04-10XH	1
4/35	101.04-11-00	1
4/35	101.04-11-00XH	1
4/1	101.04-13	1
4/4	101.04-16-00	1
4/4	101.04-16-00XH	1
4/9	101.04-18	(1)
4/5	101.04-19	1
4/6	101.04-19-00	(1)
4/38	101.04-20	2
4/16	101.04-21	3
4/22	101.04-24	1
4/23	101.04-25	1
4/18	101.04-27	1
4/8	101.04-28	(1)
4/14	101.04-30	1
4/13	101.04-31	1
4/12	101.04-32	1
4/15	101.04-33	1
4/36	101.04-34	1
3/12	101.05-01	1
3/18	101.05-02	1
3/13	101.05-03	1
10/8	101.05-03	2
3/32	101.05-05	1
3/31	101.05-07	1
3/38	101.05-08	1
3/39	101.05-09	1
3/36	101.05-10	1
3/35	101.05-12	1
3/27	101.05-14	1
3/29	101.05-16	1
3/21	101.05-18	1
3/19	101.05-20	1
3/26	101.05-21	1
3/25	101.05-22	1
3/23	101.05-24	1

序号 NO.	图号 REF NO.	数量 AMT.
3/16	101.05-25	1
3/14	101.05-26	1
2/17	101.06-02	1
2/17	101.06-02XH	1
2/18	101.06-04	1
2/18	101.06-04XH	1
5/12	101.06-06	1
5/12	101.06-06XH	1
5/13	101.06-07	1
5/25	101.06-09	2
5/26	101.06-10	2
5/24	101.06-11	2
5/27	101.06-13-00	1
5/27	101.06-13-00XH	1
5/28	101.06-14	1
5/23	101.06-16	1
5/43	101.06-18	1
5/43	101.06-18XH	1
5/40	101.06-19	1
5/39	101.06-22	1
5/51	101.06-26	1
5/60	101.06-26	1
5/55	101.06-28	1
5/35	101.06-31-00	1
5/31	101.06-32	1
5/33	101.06-34	1
5/33	101.06-34XH	1
1/35	101.06-36	1
1/35	101.06-36XH	1
1/41	101.06-39	1
1/42	101.06-39-1	(1)
1/43	101.06-40	(1)
5/57	101.06-42	1
5/48	101.06-44	1
5/45	101.06-47	1
5/15	101.06-49	1
5/47	101.06-50	1
5/10	101.07-01	1
5/10	101.07-01XH	1
5/7	101.07-03	1
5/9	101.07-05	1
5/8	101.07-06	1
5/4	101.07-07	1
5/4	101.07-07XH	1
5/5	101.07-08	1
5/6	101.07-09	1
5/2	101.07-10	1
5/2	101.07-10XH	1
5/1	101.07-12	1
5/1	101.07-12XH	1
5/64	101.07-14	1
5/64	101.07-14XH	1
5/65	101.07-16	1
5/68	101.07-17	1
5/19	101.07-20-01	1
5/19	101.07-20-01XH	1
5/19.1	101.07-20-02	(1)
5/19.2	101.07-20-03XH	(1)
5/17	101.07-22	1
5/17	101.07-22XH	1
5/38	101.07-23	1
5/38	101.07-23XH	1
5/36	101.07-24	1
5/22	101.07-26	1
5/22	101.07-26XH	1
5/71	101.07-28XH	1

11. 索引 Index

序号 NO.	图号 REF NO.	数量 AMT.
6/17	101.08-01-00	1
6/18	101.08-16	1
6/5	101.08-18	1
6/3	101.08-19	1
6/12	101.08-20	1
6/16	101.08-21	1
6/15	101.08-22	1
6/13	101.08-23	1
6/1	101.08-25	1
6/9	101.08-28	(1)
6/8	101.08-28-00	1
6/10	101.08-30	(1)
6/7	101.08-33	1
1/4	101.08-34	1
1/4	101.08-34XH	1
6/19	101.08-37	1
7/2	101.09-01	1
7/1	101.09-02	1
7/3	101.09-03	1
7/24	101.09-06	1
7/7	101.09-07	1
7/8	101.09-08	1
7/10	101.09-10	1
7/18	101.09-15	(1)
7/15	101.09-15-00	1
7/21	101.09-17	(1)
7/19	101.09-18	(1)
7/20	101.09-19	(1)
7/17	101.09-20	(1)
10/11	101.09-22	1
8/11	101.10-01-00	2
8/13	101.10-01-00	1
8/23	101.10-10	(1)
8/21	101.10-13	(1)
8/20	101.10-14	(1)
8/22	101.10-16	(1)
8/14	101.10-18	(1)
8/16	101.10-20	(2)
8/17	101.10-21	(1)
8/18	101.10-22	(2)
9/1	101.11-01	1
10/1	101.12-01	2
7/22	101.12-03	8
10/3	101.12-03	4
8/1	101.12-04-00	1
8/3	101.12-05	1
8/5	101.12-06	1
8/6	101.12-07	1
8/4	101.12-08	2
8/2	101.12-11	1
10/5	101.12-15	1
10/6	101.12-16	1
10/7	101.12-17	1
10/9	101.12-19	1
10/10	101.12-21	1
1/51	101.12-23	1
3/12	115.05-17	1
1/35	120.01-22	1
3/12	120.02-68	1
3/32	120.02-69	1
3/18	120.02-71	1
3/13	120.02-72	1
10/8	120.02-72	2
5/33	120.04-04	1
10/2	120.09-02	2
7/23	120.09-04	2

序号 NO.	图号 REF NO.	数量 AMT.
7/4	120.09-05	2
6/22	124.09-44	1
9/8	279.12-00-01	(1)
9/10	279.12-00-02	(1)
9/7	279.12-00-03	(2)
9/6	279.12-00-04	(2)
9/15	279.12-00-07	(2)
9/9	279.12-00-08	(2)
9/13	279.12-00-14	(2)
9/11	279.12-00-15	(1)
9/12	279.12-00-16	(2)
9/14	279.12-00-19	(1)
9/18	279.12-00-20	(2)
9/19	279.12-00-21	(2)
9/2	279.12-00-22	(2)
9/3	279.12-00-23	(2)
9/4	279.12-00-24	(2)
9/5	279.12-00-25	(2)
9/16	279.12-00-26	(2)
9/17	279.12-00-27	(2)
5/69	423.06-45	1
5/14	11-00090620-01	1
5/30	11-00090620-01	2
5/41	11-00090620-01	1
1/47	11-00110520-01	2
3/30	11-00110520-01	2
2/16	11-00161120-01	2
5/20	11-00162030-01	1
1/36	11-20110920-02	2
4/2	11-30091020-01	1
4/32	11-40090825-01	2
8/15	11-40110525-01	(1)
5/53	11-40110725-01-01	1
5/58	11-40111025-01	1
6/21	11-40111025-01D	1
1/19	11-40120625-01	1
6/6	11-40120625-01	1
6/20	11-40120625-01	1
1/7	11-40120925-01	8
1/20	11-40120925-01	1
1/40	11-40120925-01	3
3/24	11-40120925-01	1
3/28	11-40121225-01	1
5/46	11-40121225-01	1
5/20	11-40121425-01	1
5/44	11-40121425-01	1
5/56	11-40121425-01	1
8/9	11-40121425-01	1
6/4	11-40150925-01	1
6/14	11-40150925-01	1
8/8	11-40201725-01	2
1/44	11-60060220-01	(2)
1/3	11-60080320-01	1
3/9	11-60080520-01	1
5/34	11-60080620-01	2
2/19	11-60090620-01	2
3/5	11-60090620-01	1
5/3	11-60090620-01	2
4/34	11-60091120-01	1
8/19	11-60110320-01	(1)
5/37	11-60110520-01	2
3/33	11-60111020-01	1
2/27	11-60181630-01	1
8/24	11-70081320-01	(1)
1/22	11-70110620-02	1
1/38	11-70110620-02	1

序号 NO.	图号 REF NO.	数量 AMT.
5/11	11-70121820-01	1
7/5	11-70200720-01	1
2/37	11-70201520-01	1
1/32	11-80090610-01	(1)
3/37	11-80110410-01	2
3/40	11-80120510-01	1
1/33	11-80150710-01	1
2/13	11-80150710-01	1
3/34	11-80150810-01	1
5/66	11-80150810-01	1
5/67	11-80150810-01	1
2/1	11-80151150-01	1
5/29	11-80151150-01	2
2/30	11-80151550-01	2
2/25	11-80160610-01	2
5/50	11-80160610-01	2
5/62	11-80160610-01	2
2/24	11-80160710-01	2
3/15	11-80160810-01	2
3/17	11-80160810-01	2
3/20	11-80160810-01	2
3/22	11-80160810-01	2
4/31	11-80160810-01	1
2/10	11-80181650-01	1
7/16	11-90151520-01	(1)
5/59	11-90161020-01	1
7/13	12-80603050-02	2
7/14	12-90601633-02	1
7/11	12-90801423-02	2
1/17	13-60124020-02	(1)
5/42	13-60184020-01	1
7/12	14-60603320-02	2
4/37	21-03810080-01	1
8/7	21-04608100-03	2
8/12	21-04608100-03	2
5/74	21-04808080-01	1
8/10	21-05010110-01	1
5/52	21-06520150-01	1
5/70	23-13003170-09	1
4/20	24-04000000-08	1
4/7	24-05000000-08	(1)
4/10	24-05000000-08	(1)
4/11	24-05000000-08	3
4/17	24-05000000-08	2
5/18	24-05000000-08	1
5/21	24-05000000-08	1
7/9	24-05000000-08	1
5/32	24-10000000-09	1
5/54	25-15000000-08	1
2/22	25-15000000-08	1
2/34	25-20000000-08	1
4/3	31-02818000-09	1
2/26	31-04018000-09	1
7/6	31-04424000-09	1
5/63	31-08018000-09	1
5/16	31-09428000-09	1
6/2	31-20024000-09	1
2/21	32-14170360-09	1
6/11	42-05003000-00	(0.66)
1/54	43-10250000-00	0.075
5/72	43-10250000-00	0.25
5/73	43-10250000-00	0.72
2/15	43-20300000-00	0.05
1/50	44-00000001-00	1

产品标准号:QB/T 2256-2006

获行业首家  全国质量奖

GEMSY GAINED CHINA QUALITY AWARD -- THE FIRST
ONE TO WIN THIS AWARD IN SEWING MACHINE FIELD

全国服务热线: 800-8576-822

SERVICE HOTLINE: 800-8576-822

GEMSY 宝石  **中国驰名商标**  **中国名牌产品**  **中国出口名牌**  **全国用户满意产品**       

地址: 中国浙江省台州市东环大道638号 P.C : 318000

ADD : NO.638 DONGHUAN ROAD,TAIZHOU,ZHEJIANG,CHINA

国内营销部: DOMESTIC SALES DEPARTMENT

国际贸易部: INTERNATIONAL TRADE DEPARTMENT

TEL: 0576-88201401 88202041

TEL : 0086-576-88201479 88201471 88207338

FAX: 0576-88202667 88203211

FAX : 0086-576-88202667 88203211

Http://www.gemtsy.com

E-mail : gemtsy@gemtsy.com