

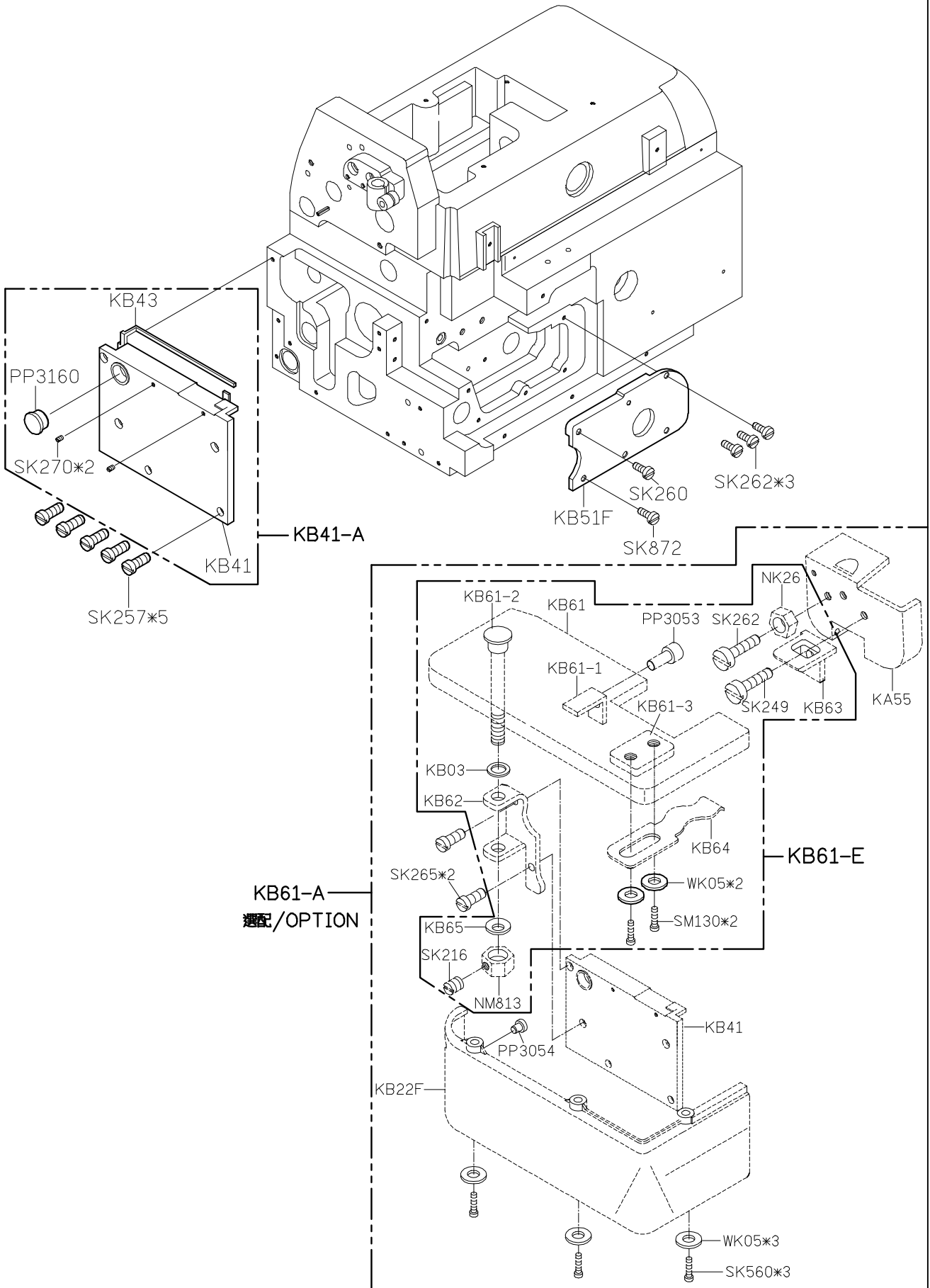
A

B

C

D

E



KB61-A
選配/OPTION

1

2

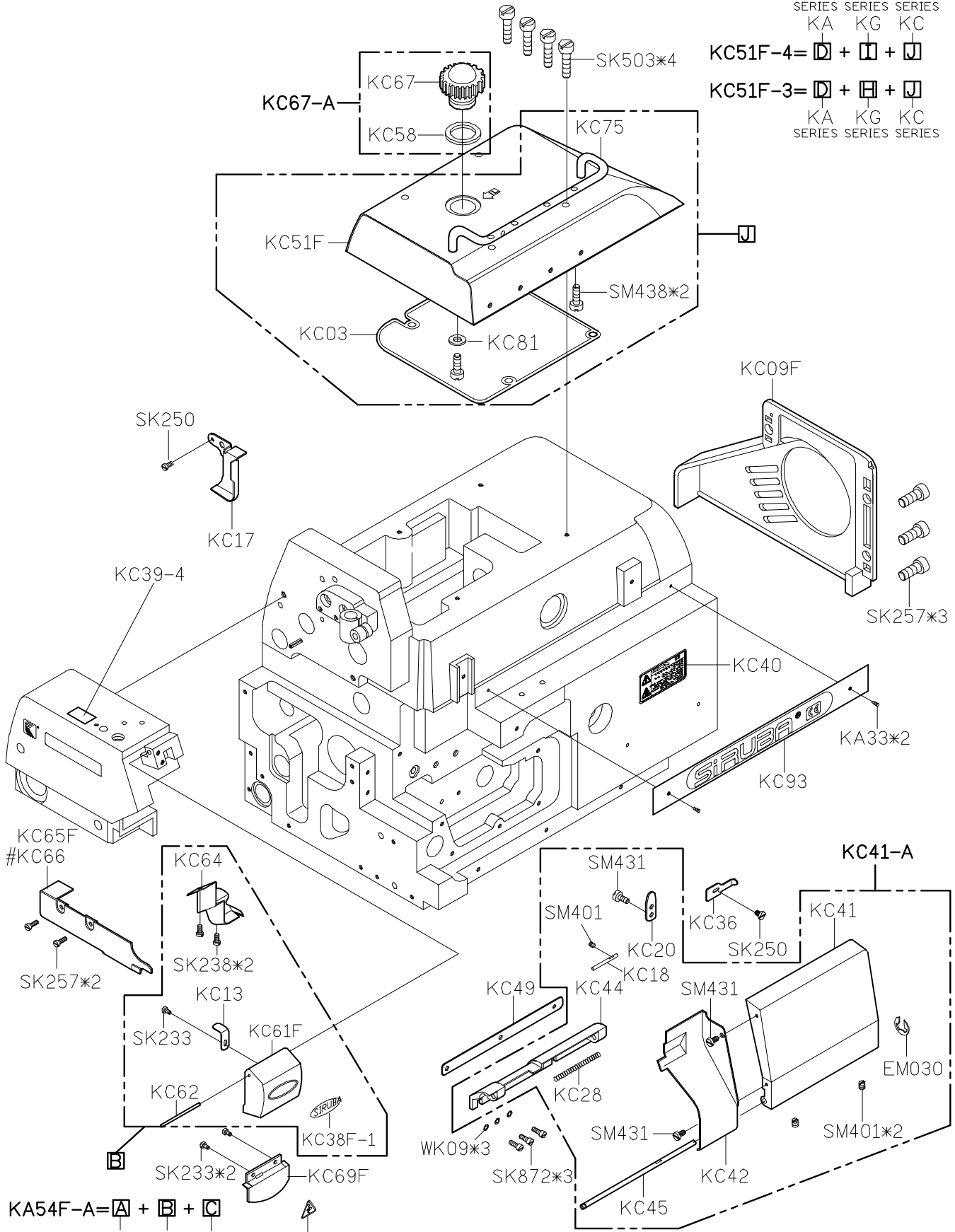
3

4

5

A
B
C
D
E

SERIES SERIES SERIES
KA KG KC
KC51F-4= [D] + [I] + [J]
KC51F-3= [D] + [H] + [J]
KA KG KC
SERIES SERIES SERIES



KA54F-A= [A] + [B] + [C]
KA KC KS
SERIES SERIES SERIES
MB33

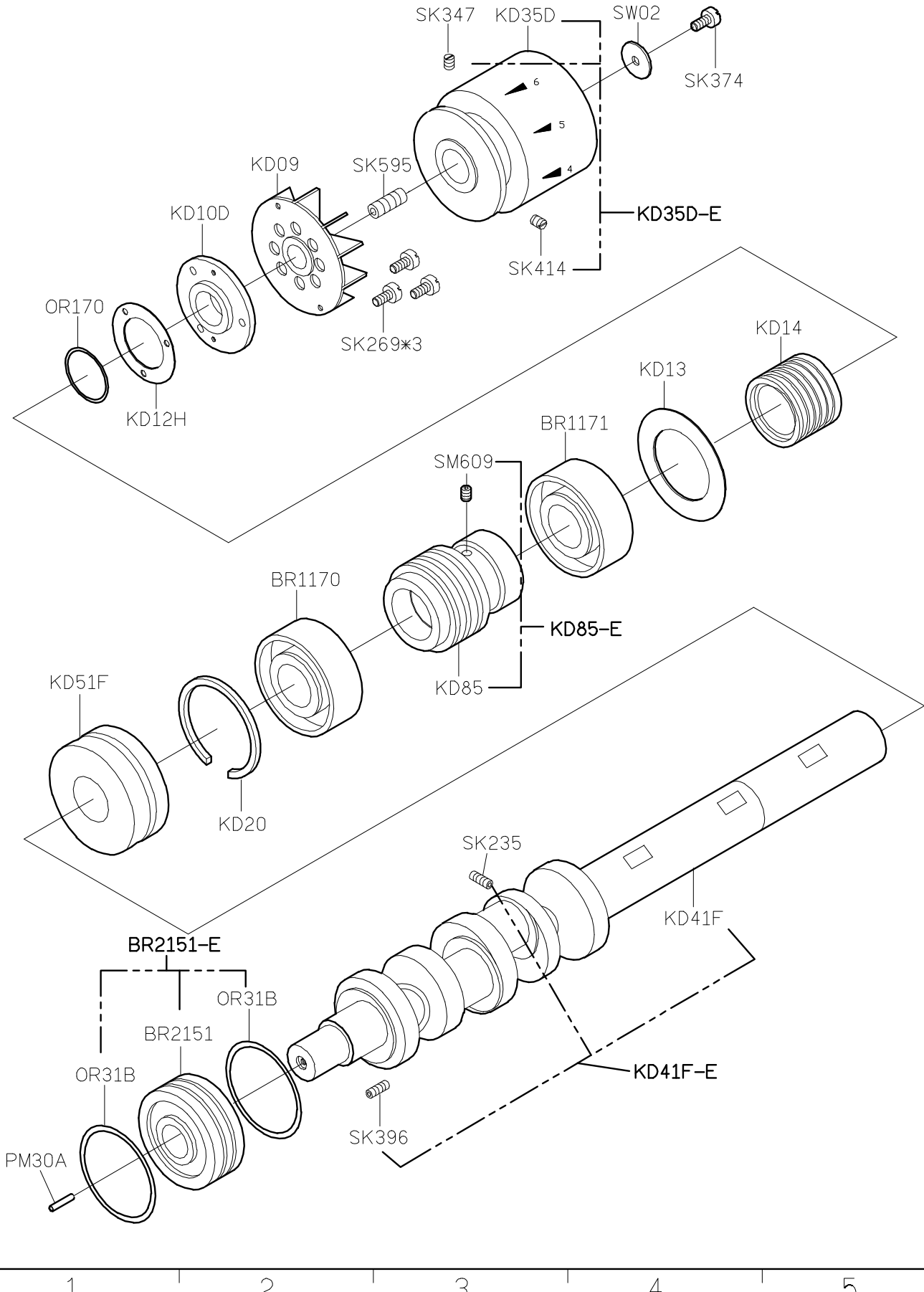
A

B

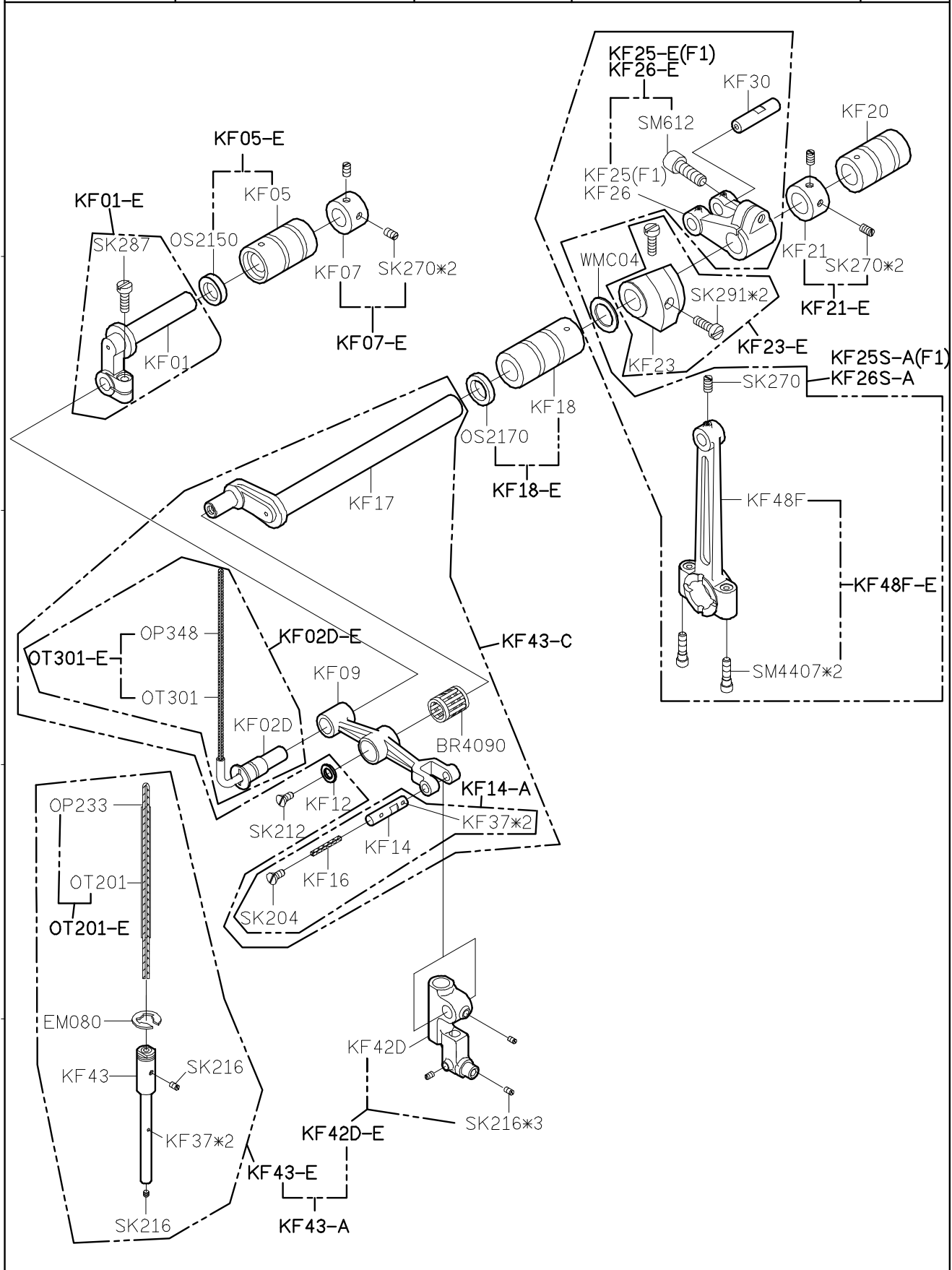
C

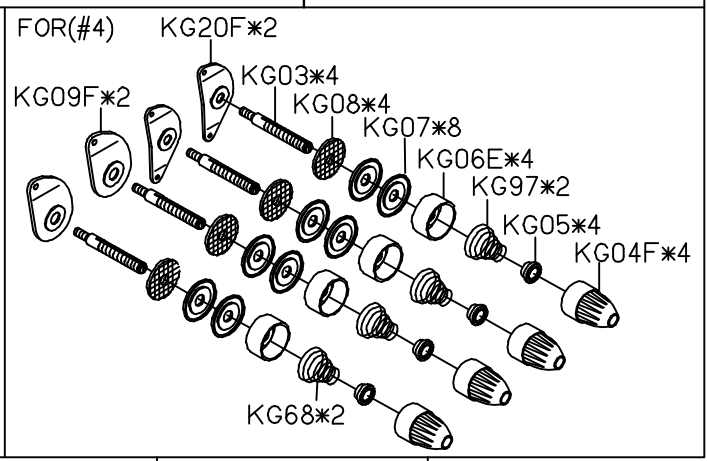
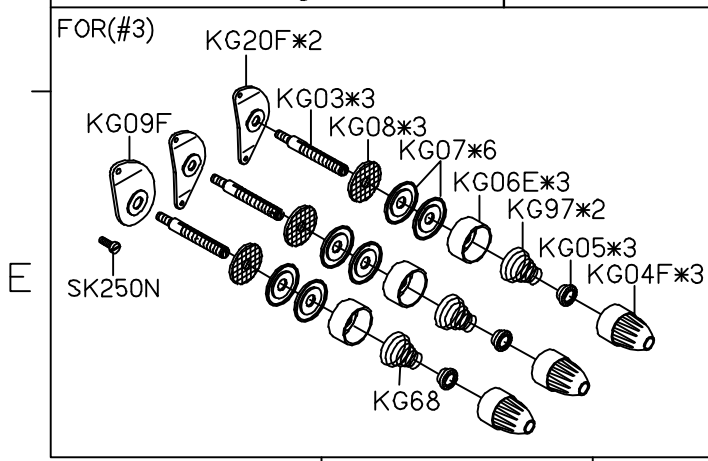
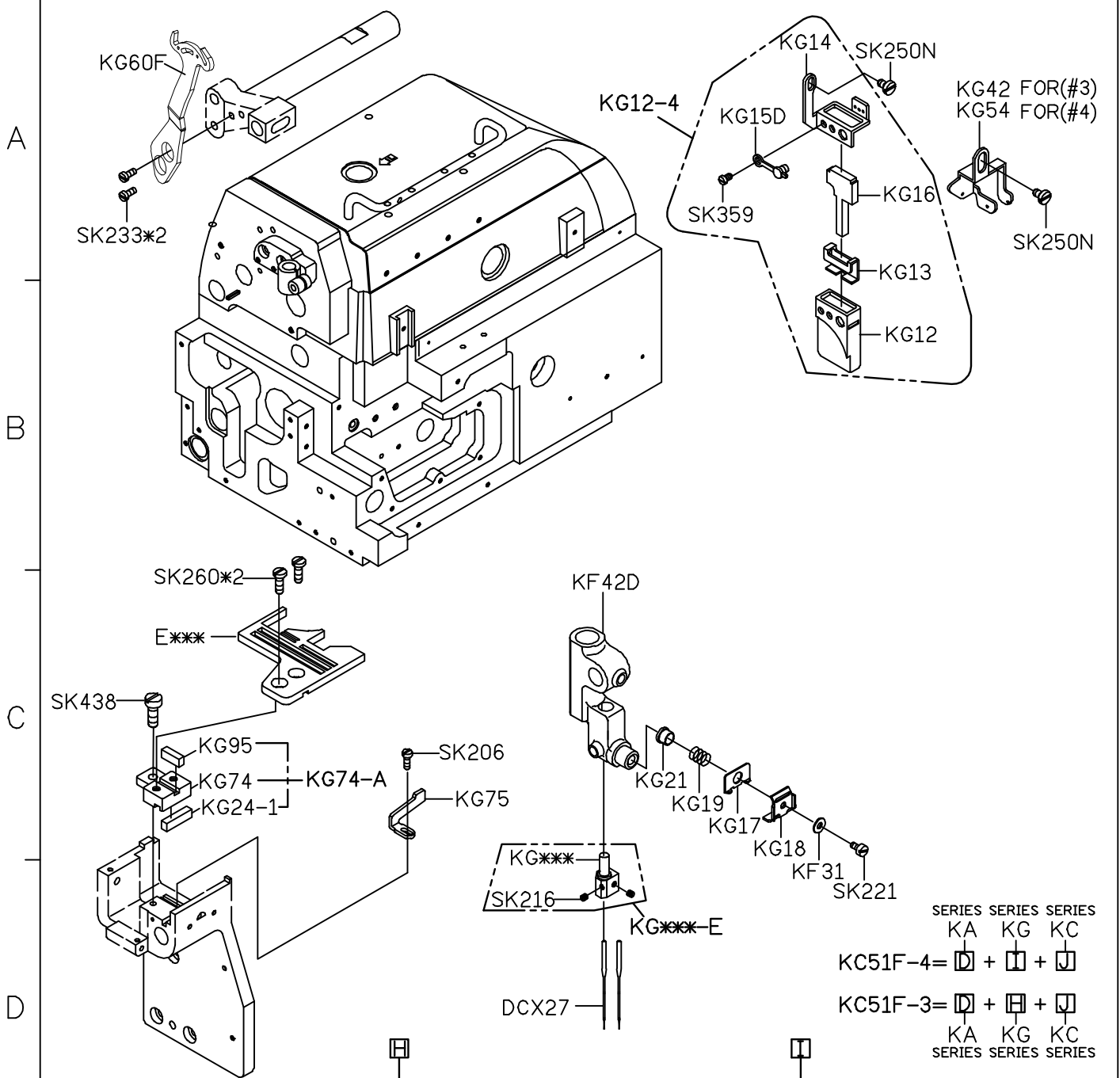
D

E

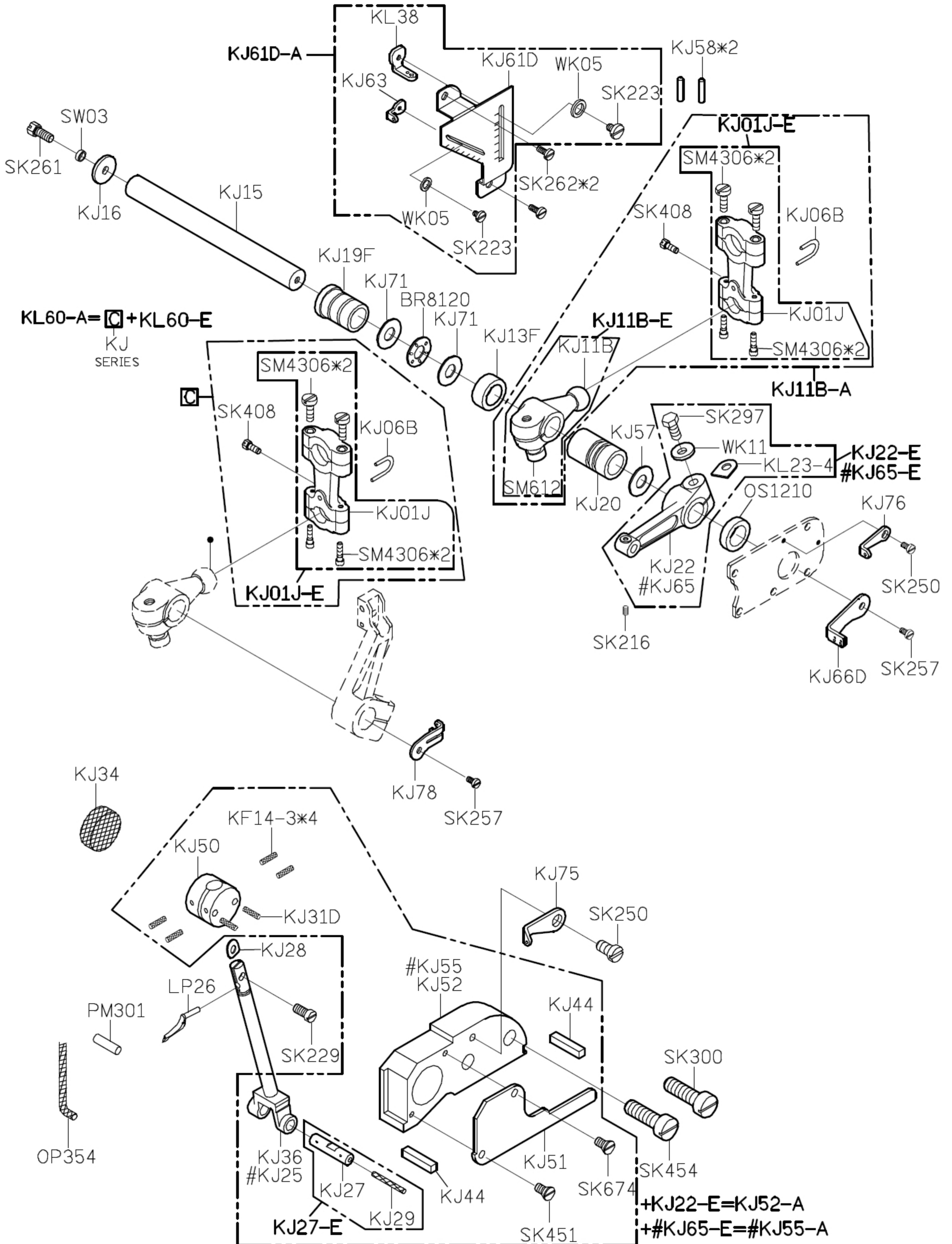


SIRUBA PARTS LIST	Series	Parts Group	Subclass / Remark	Page
	700FS	KF		1/1
				Date
				2013/08/10





SIRUBA PARTS LIST	Series	Parts Group	Subclass / Remark	Page
	700FS	KJ	#:Use For M2-28	1/1
				Date
	2016/05/06			



1

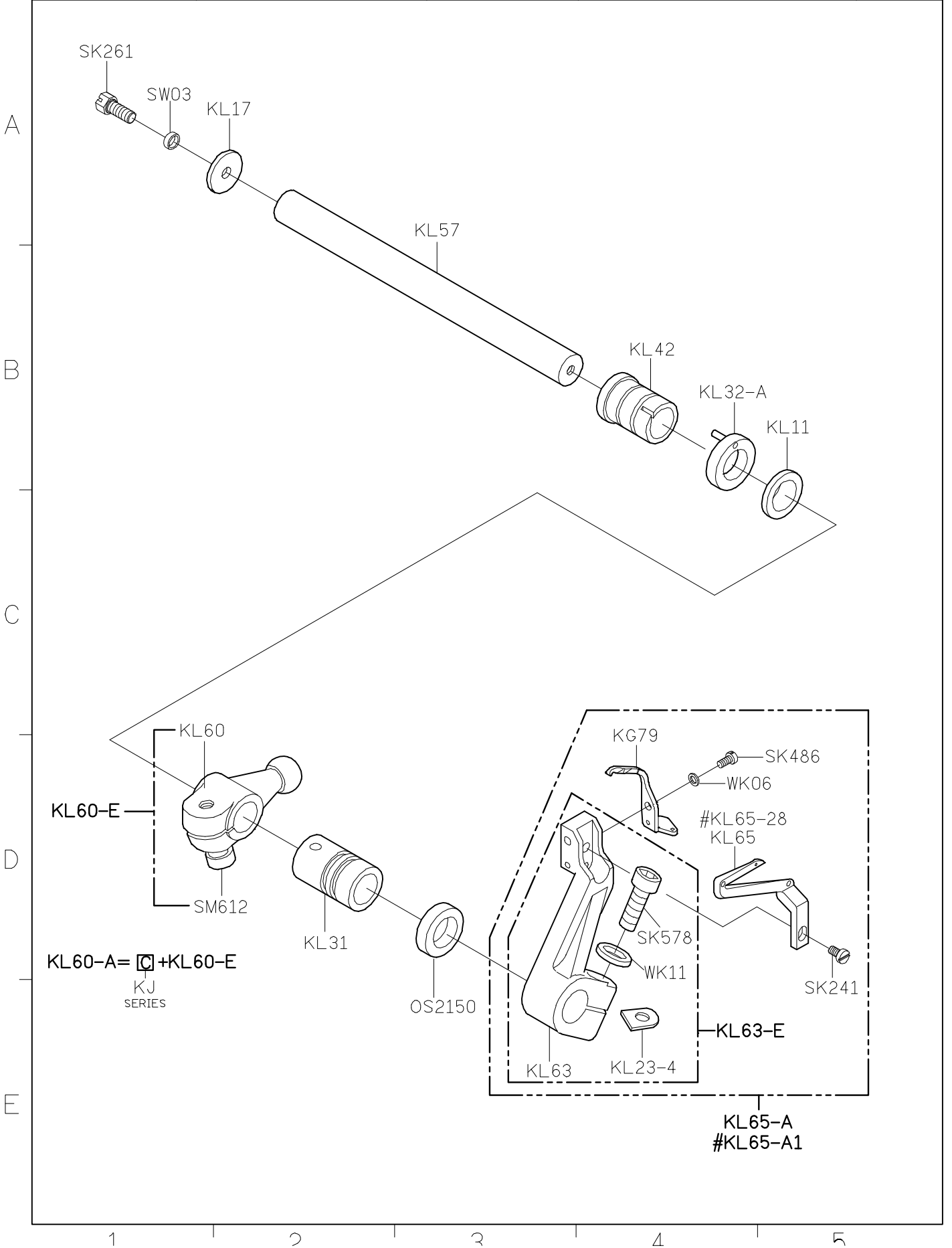
2

3

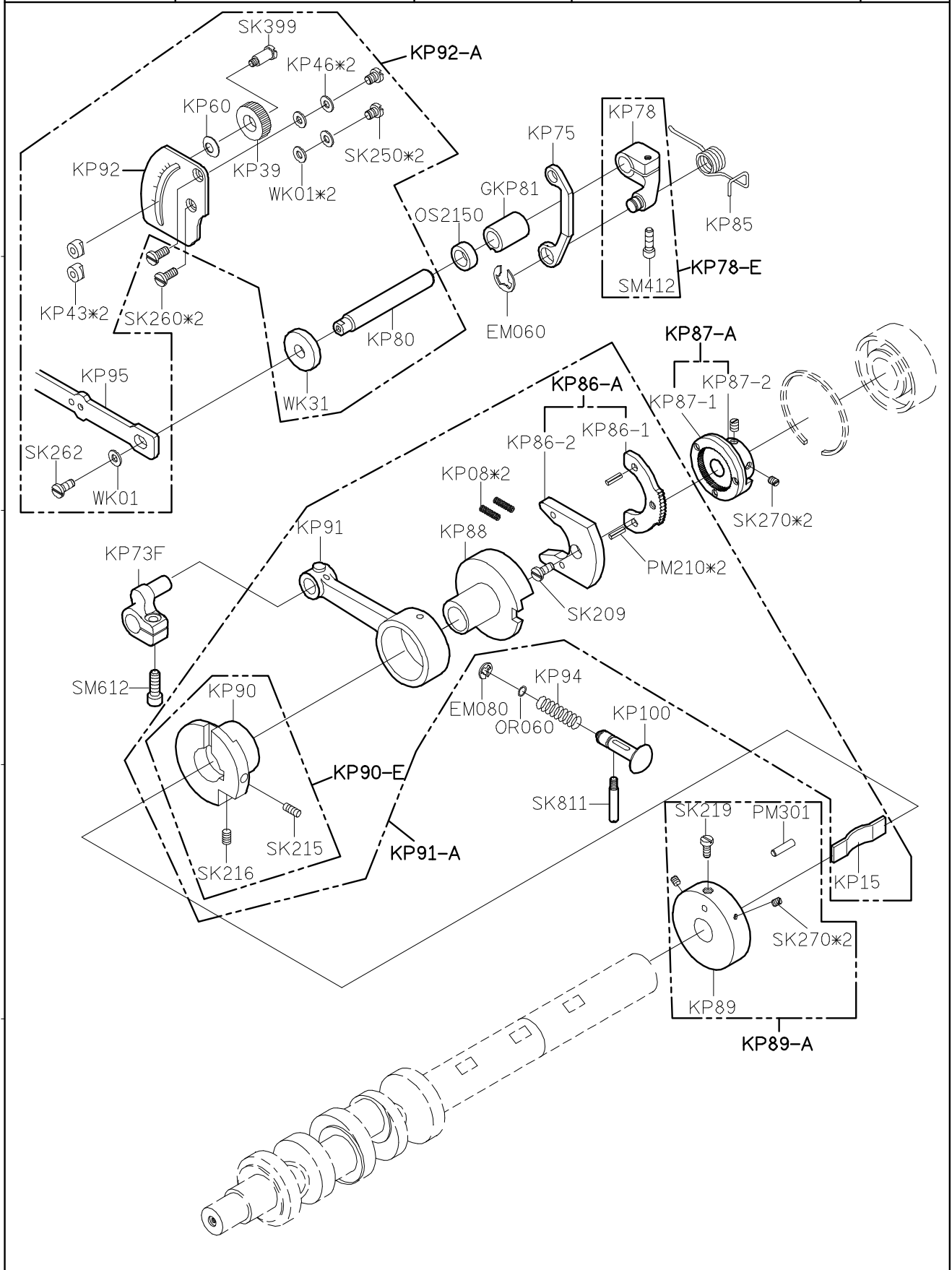
4

5

SIRUBA PARTS LIST	Series	Parts Group	Subclass / Remark	Page
	700FS	KL	#:Use For M2-28	1/1
				Date
				2014/02/26



SIRUBA PARTS LIST	Series	Parts Group	Subclass / Remark	Page
	700FS	KP		1/1
				Date
				2013/08/10



1

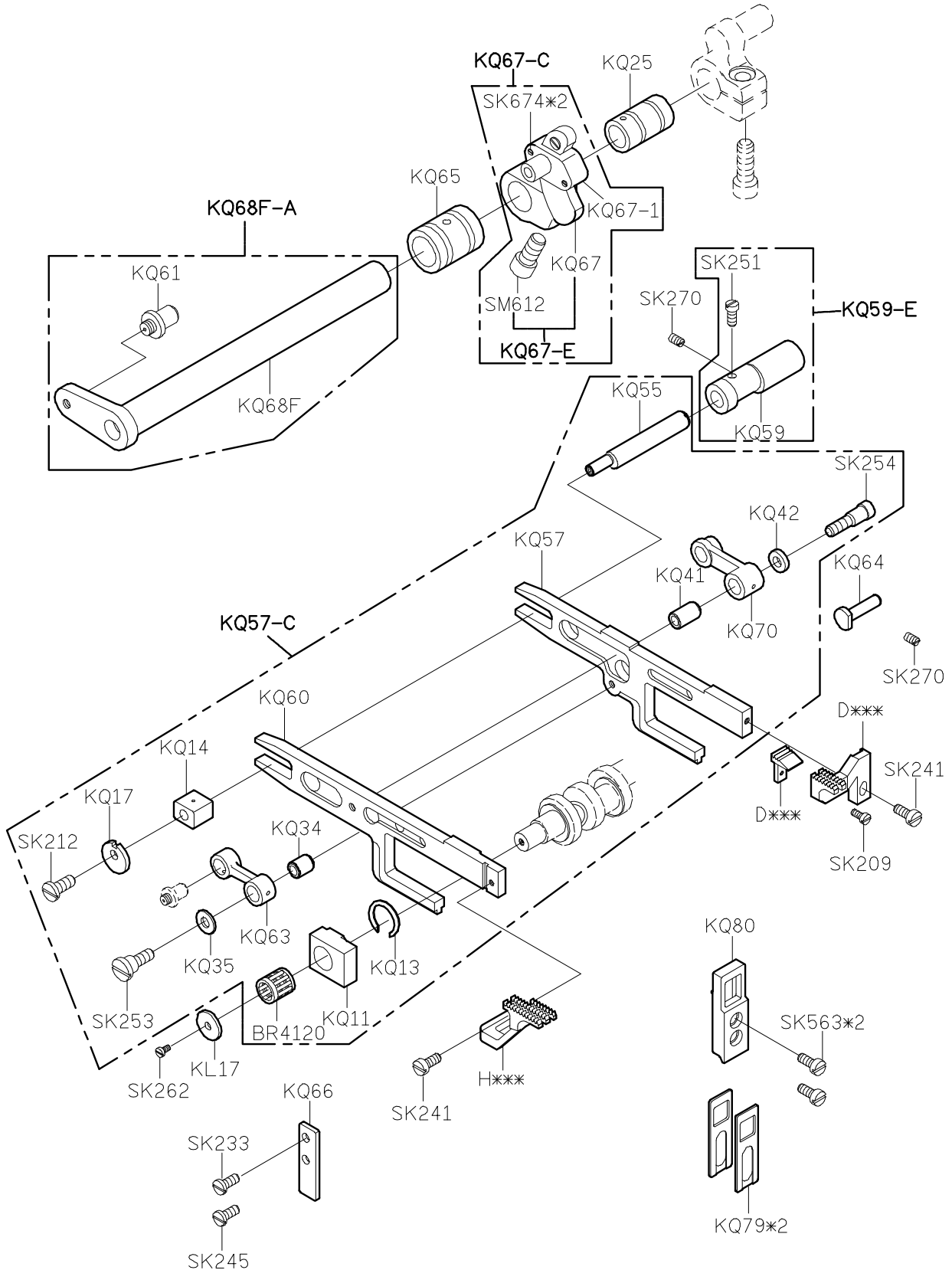
2

3

4

5

SIRUBA PARTS LIST	Series	Parts Group	Subclass / Remark	Page
	700FS	KQ		1/1
				Date
				2013/08/10



1

2

3

4

5

SIRUBA

PARTS LIST

Series

700FS

Parts Group

KR

Subclass / Remark

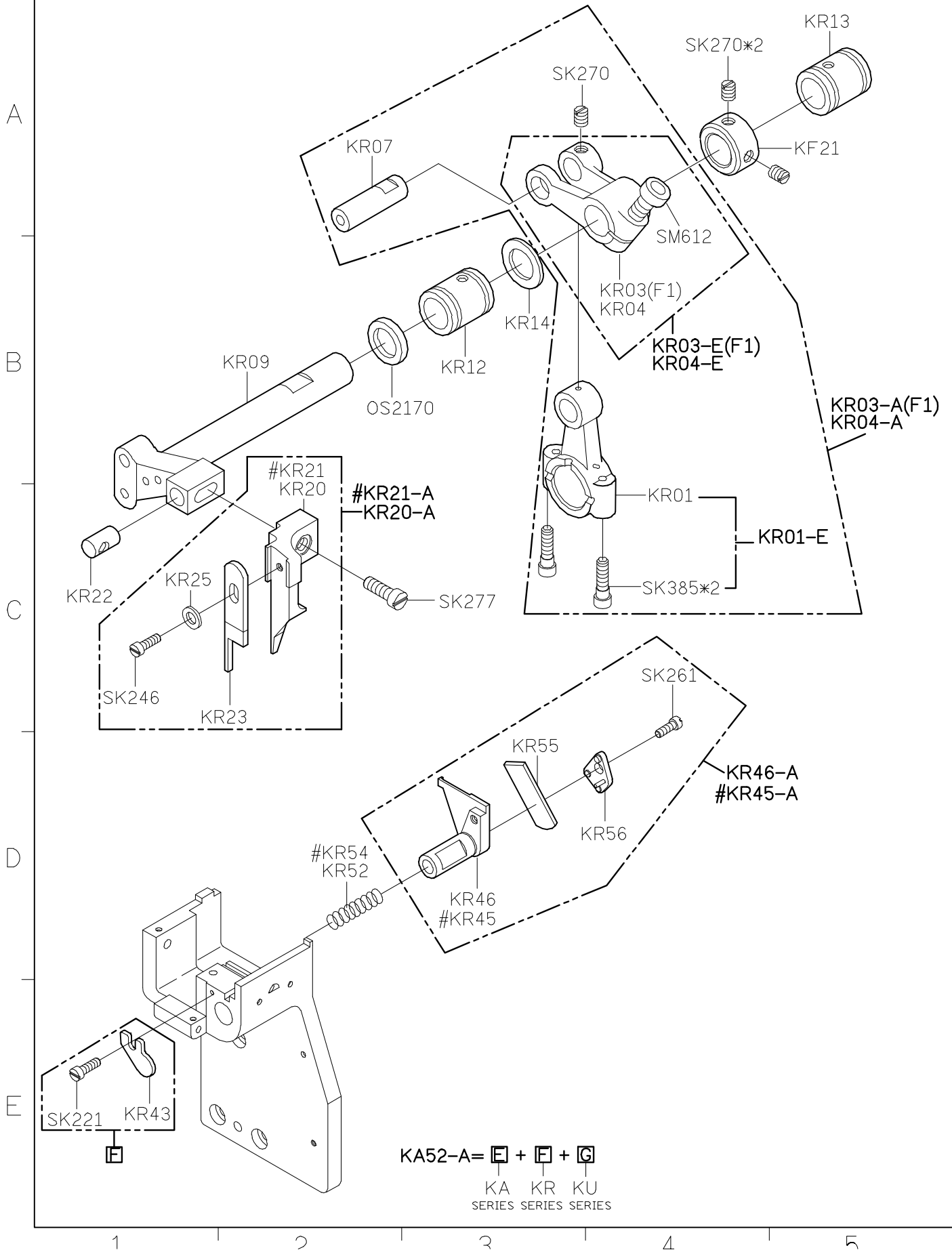
#:Use For M2-28

Page

1/1

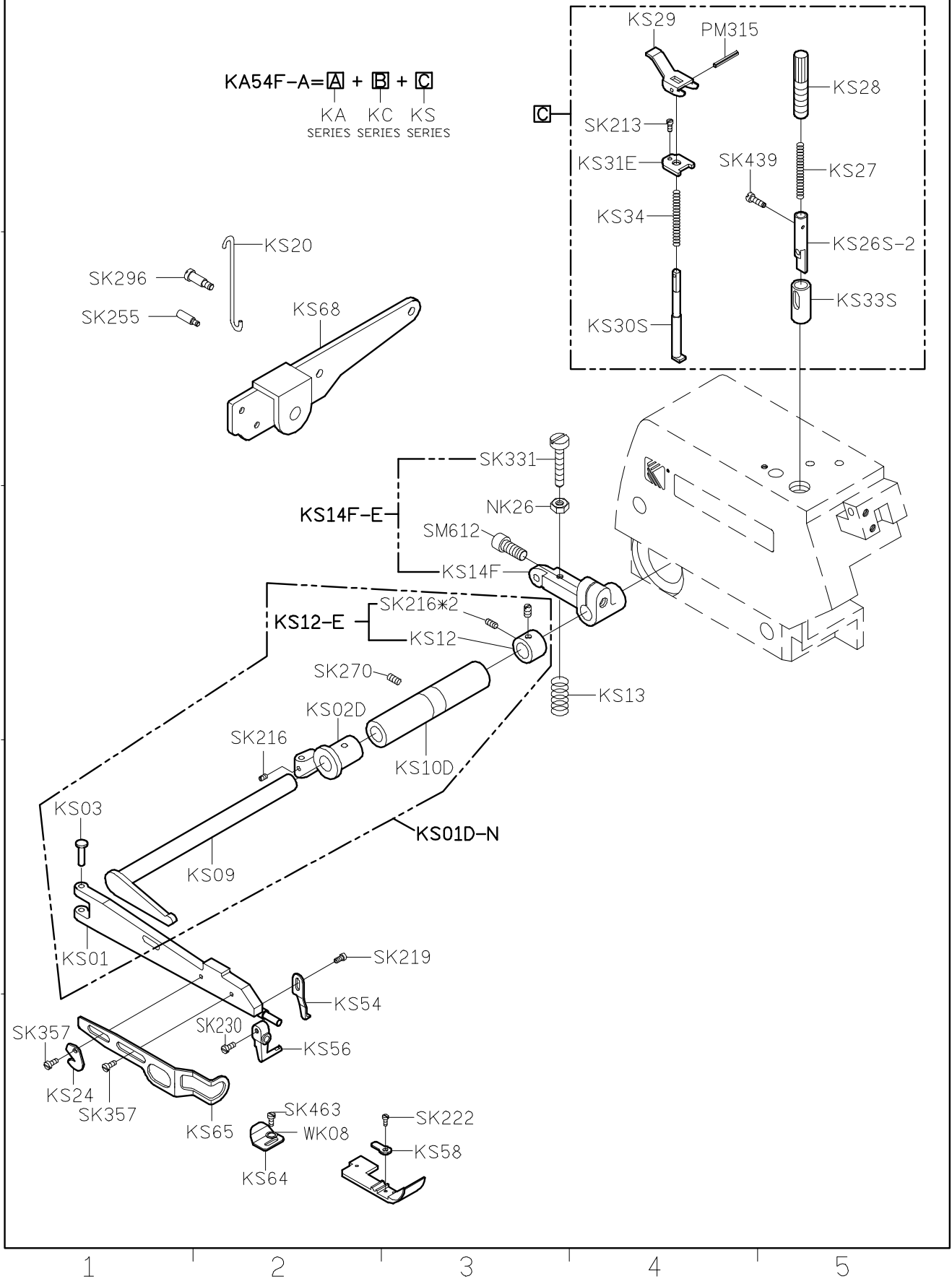
Date

2014/02/26

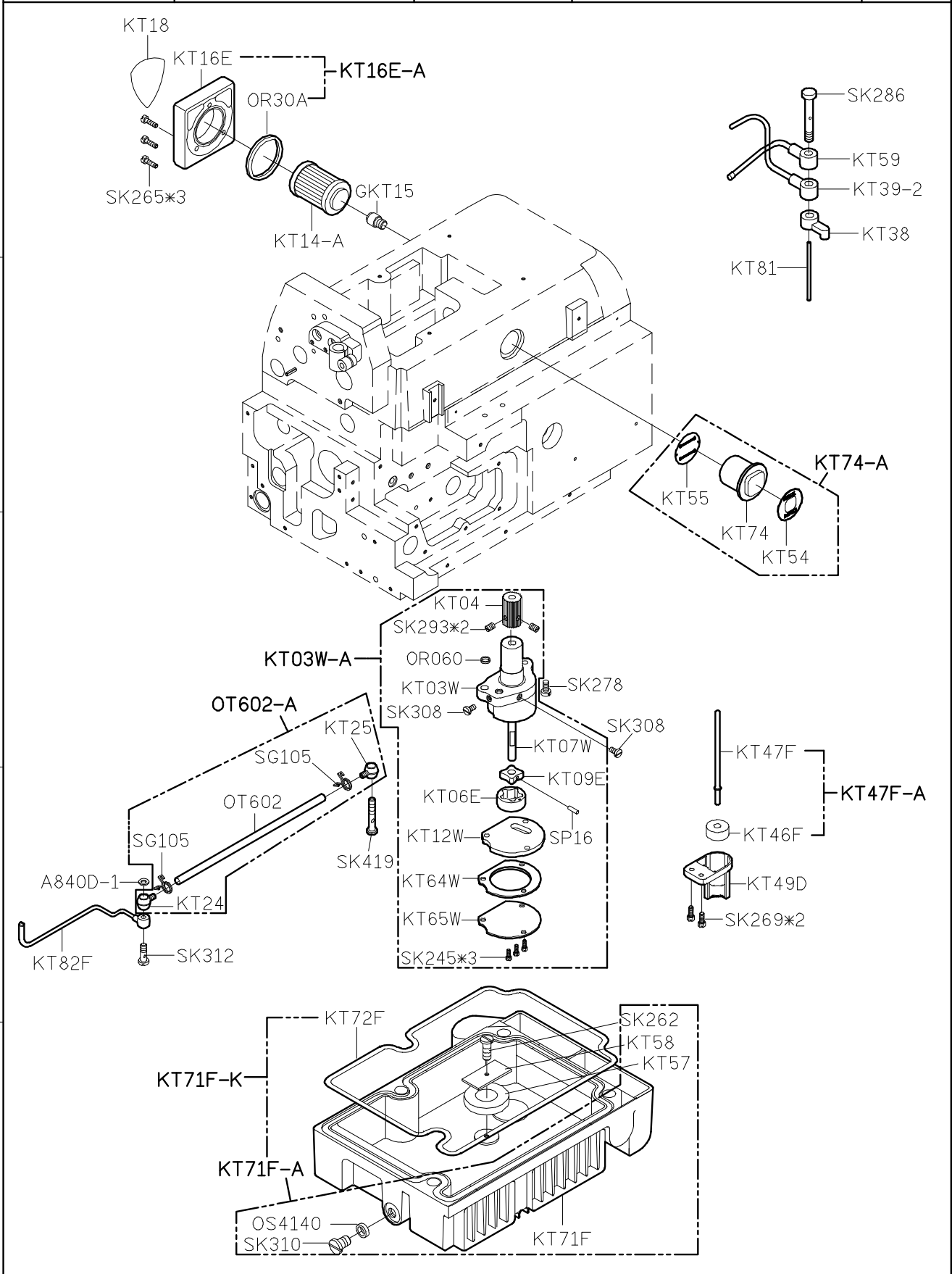


SIRUBA PARTS LIST	Series	Parts Group	Subclass / Remark	Page
	700FS	KS		1/1
				Date 2013/08/10

KA54F-A= **A** + **B** + **C**
KA KC KS
SERIES SERIES SERIES



SIRUBA PARTS LIST	Series	Parts Group	Subclass / Remark	Page
	700FS	KT		1/1
				Date
				2013/08/10



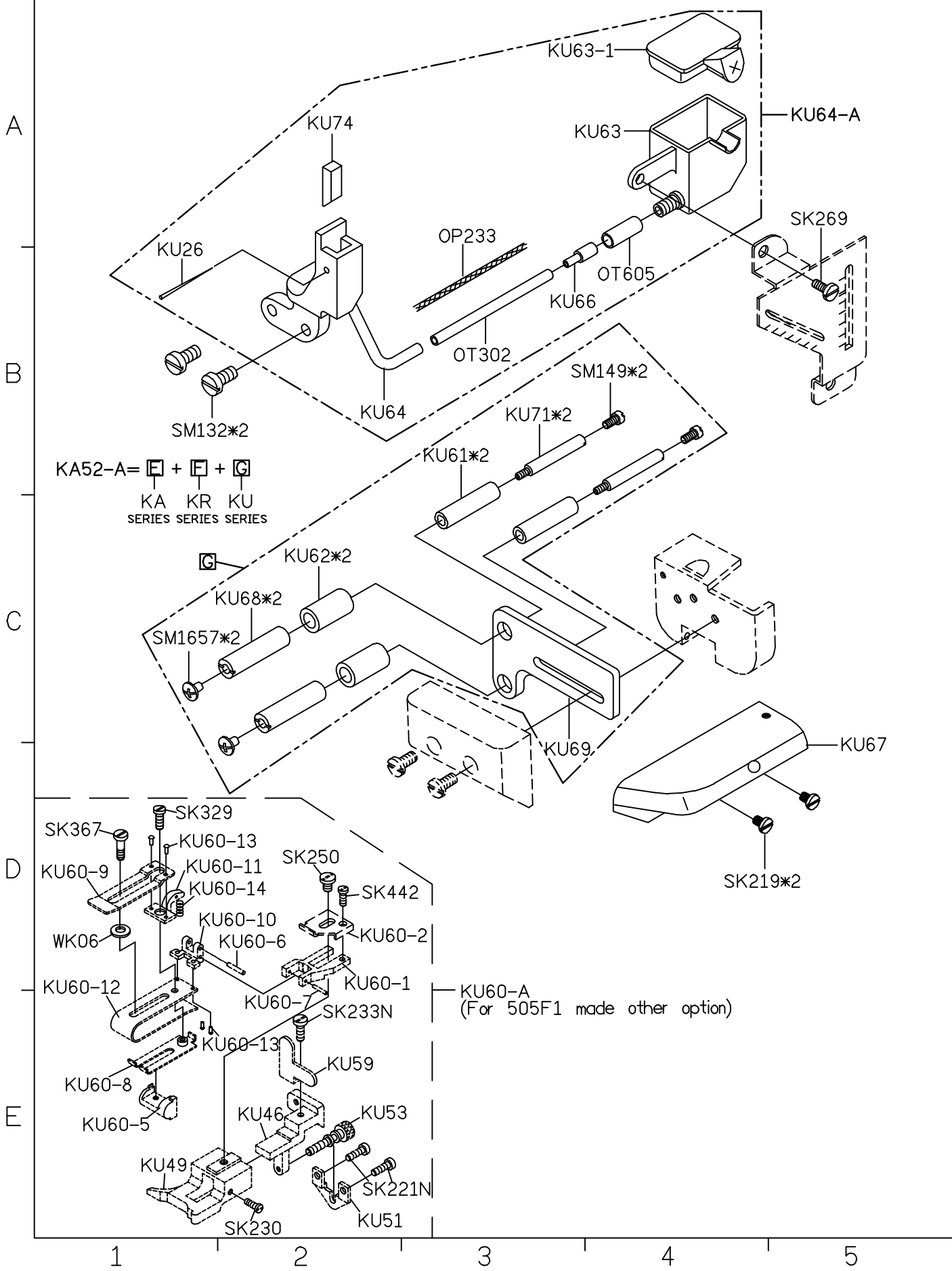
1

2

3

4

5



SIRUBA PARTS LIST	Series	Parts Group	Subclass / Remark	Page
	拷克	KW		1/4
	Overlock			Date
	含MO6800系列			2017/2/20

KW40E-3

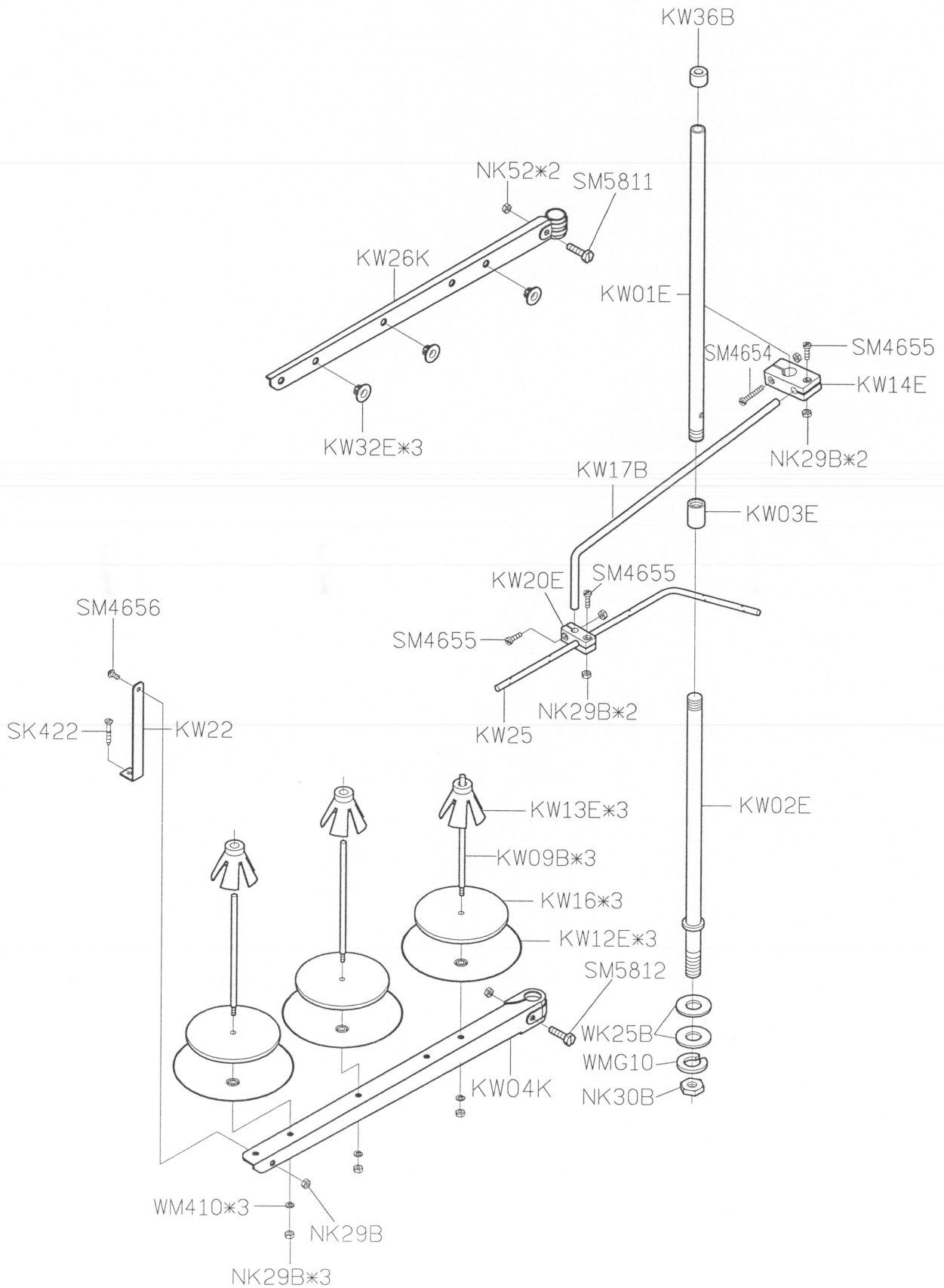
A

B

C

D

E



1

2

3

4

5

SIRUBA PARTS LIST	Series	Parts Group	Subclass / Remark	Page
	拷克	KW		2/4
	Overlock			Date
	含MO6800系列			2017/2/20

KW40E-4

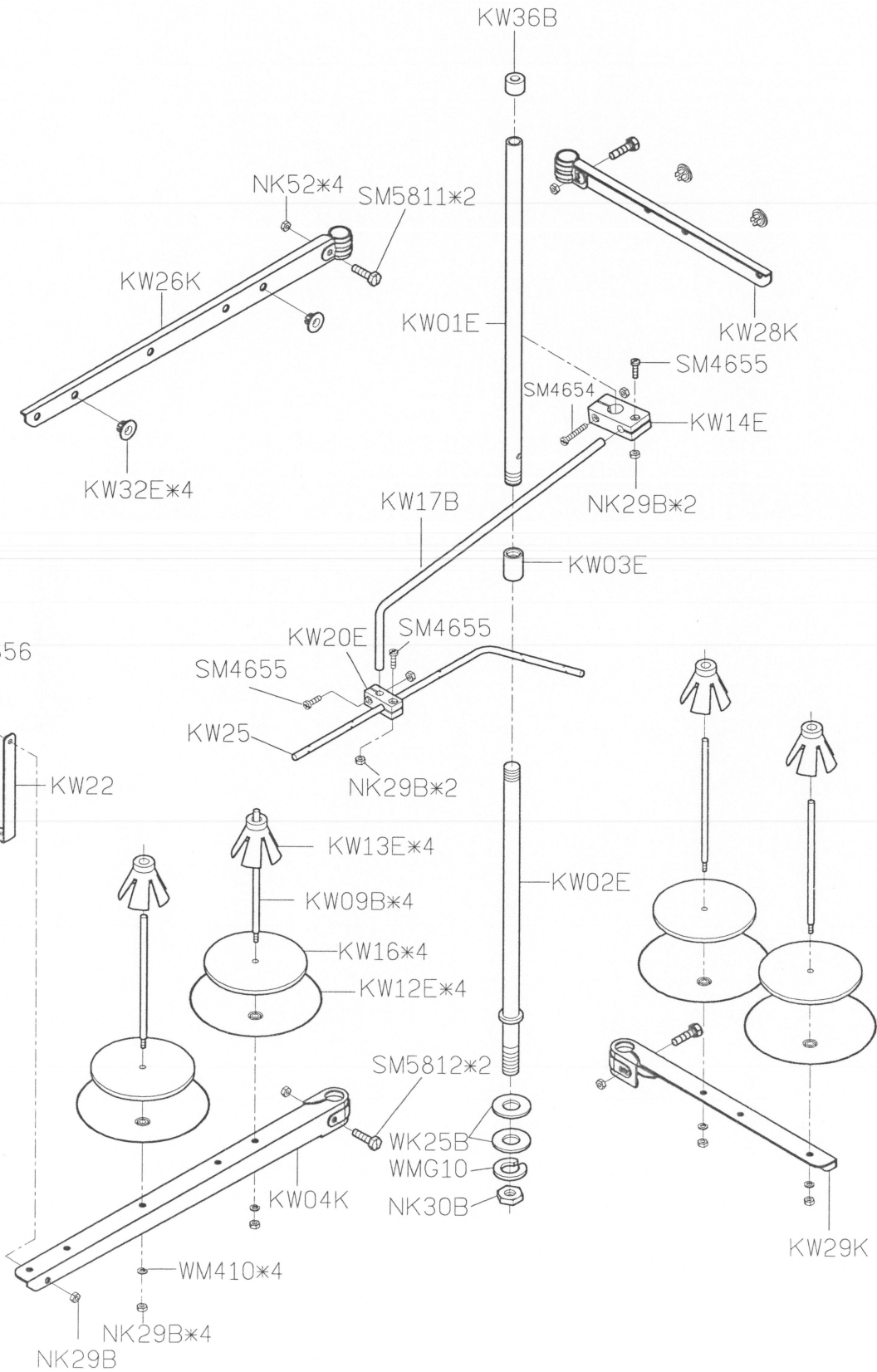
A

B

C

D

E



1

2

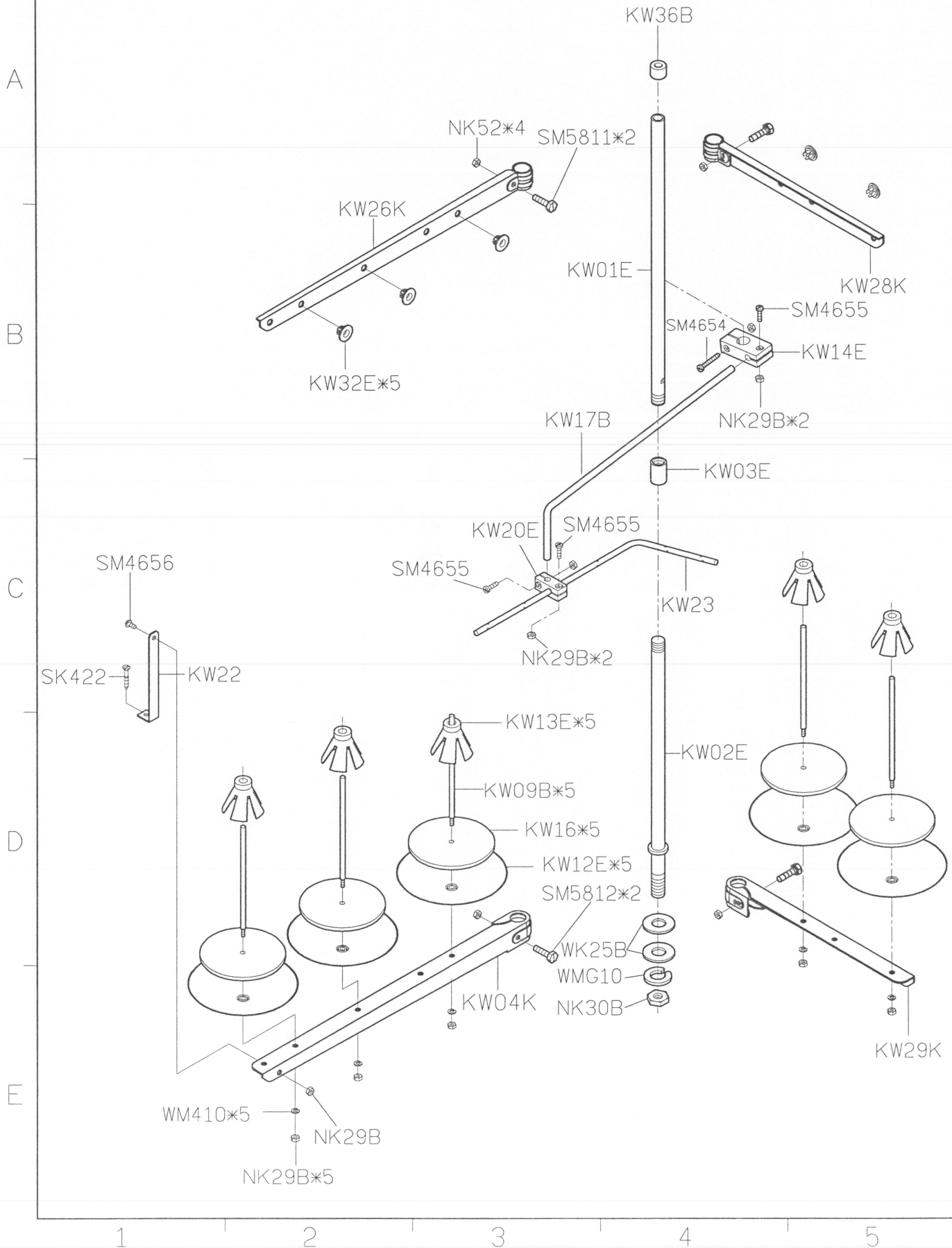
3

4

5

SIRUBA PARTS LIST	Series	Parts Group	Subclass / Remark	Page
	拷克	KW		3/4
	Overlock			Date
	含MO6800系列			2017/2/20

KW40E-5



SIRUBA PARTS LIST	Series	Parts Group	Subclass / Remark	Page
	拷克	KW		4/4
	Overlock			Date
	含MO6800系列			2017/2/20

KW40E-6

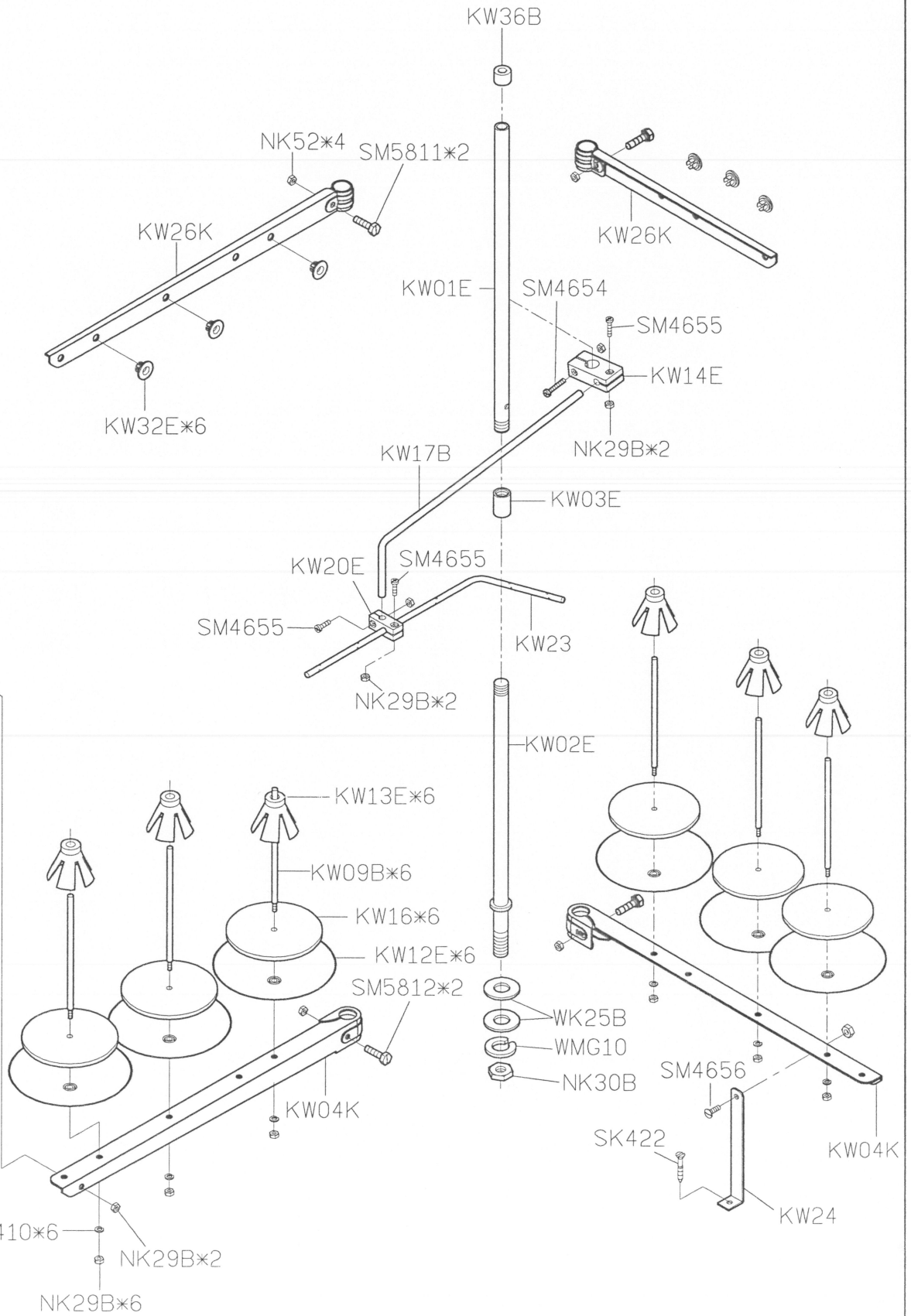
A

B

C

D

E



1

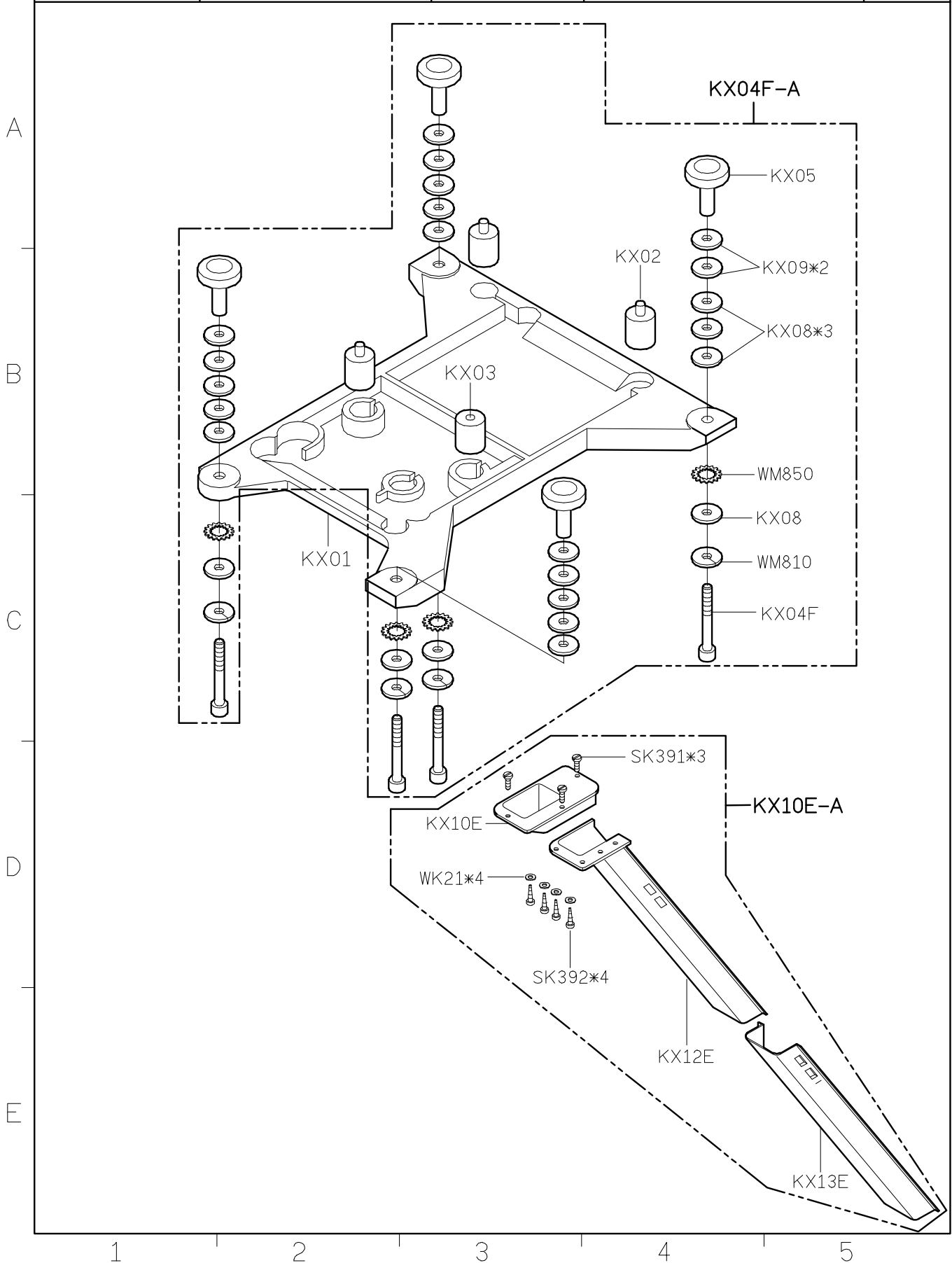
2

3

4

5

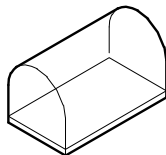
SIRUBA PARTS LIST	Series	Parts Group	Subclass / Remark	Page
	700FS	KX		1/1
				Date
				2013/08/10



SIRUBA PARTS LIST	Series	Parts Group	Subclass / Remark	Page
	700FS	KY		1/1
				Date
				2013/09/10

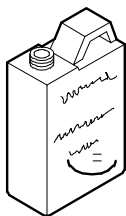
KY01-1

防塵罩



KY02-A

油罐



KY03

油壺



KY04S

漏斗



KY05

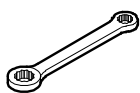
油壺



KY23-A

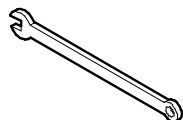
KY23

內六角扳手



KY09

開口扳手



KY10

六角扳手



KY10-A

KY11

六角扳手



KY12

六角扳手



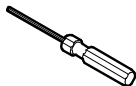
MY11

六角扳手



KY14

內六角螺絲起子



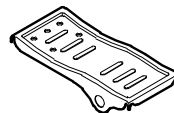
KY18

鑷子



KY20D-A

腳踏板



KY21-A/MY21

鉤子/鍊條



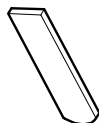
KY201

工具袋



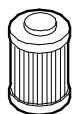
KR55

下刀片



KT14-A

濾油器



KZ03

乾燥劑

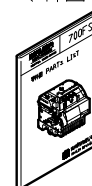


針*4



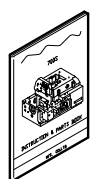
KZ08FS

零件圖



KZ13

使用說明書



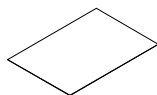
SK216

螺絲



KY30

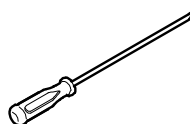
針板紙



LY33-A

LY33

一字起子

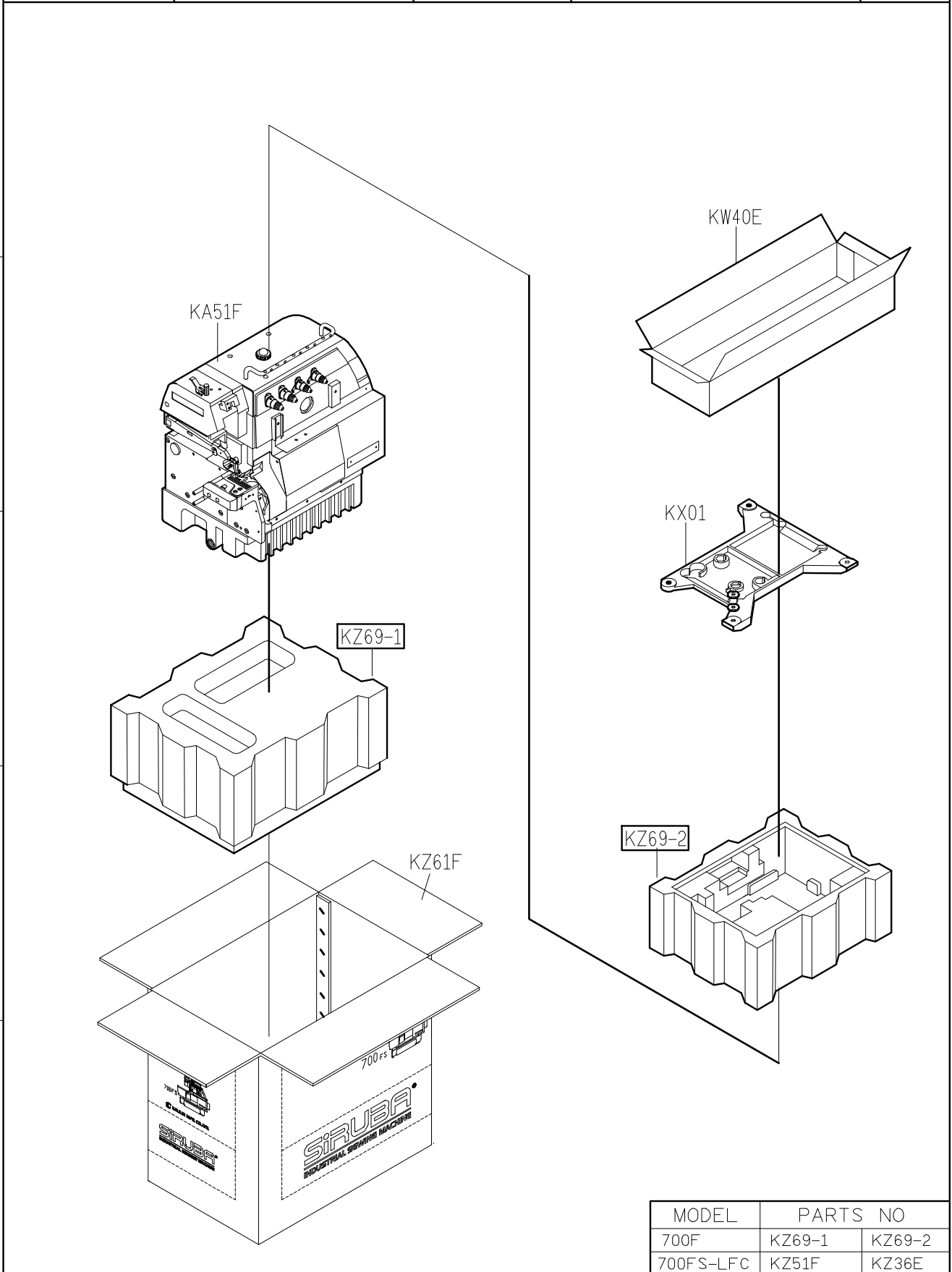


LY34

一字起子



SIRUBA PARTS LIST	Series	Parts Group	Subclass / Remark	Page
	700FS	KZ		1/1
				Date
				2013/08/10



1

2

3

4

5

MODEL	PARTS NO	
700F	KZ69-1	KZ69-2
700FS-LFC	KZ51F	KZ36E

SIRUBA

TABLE
CUT - OUT

Series

700FS

Item Code

747FS-T1

Subclass Remark

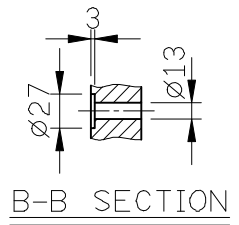
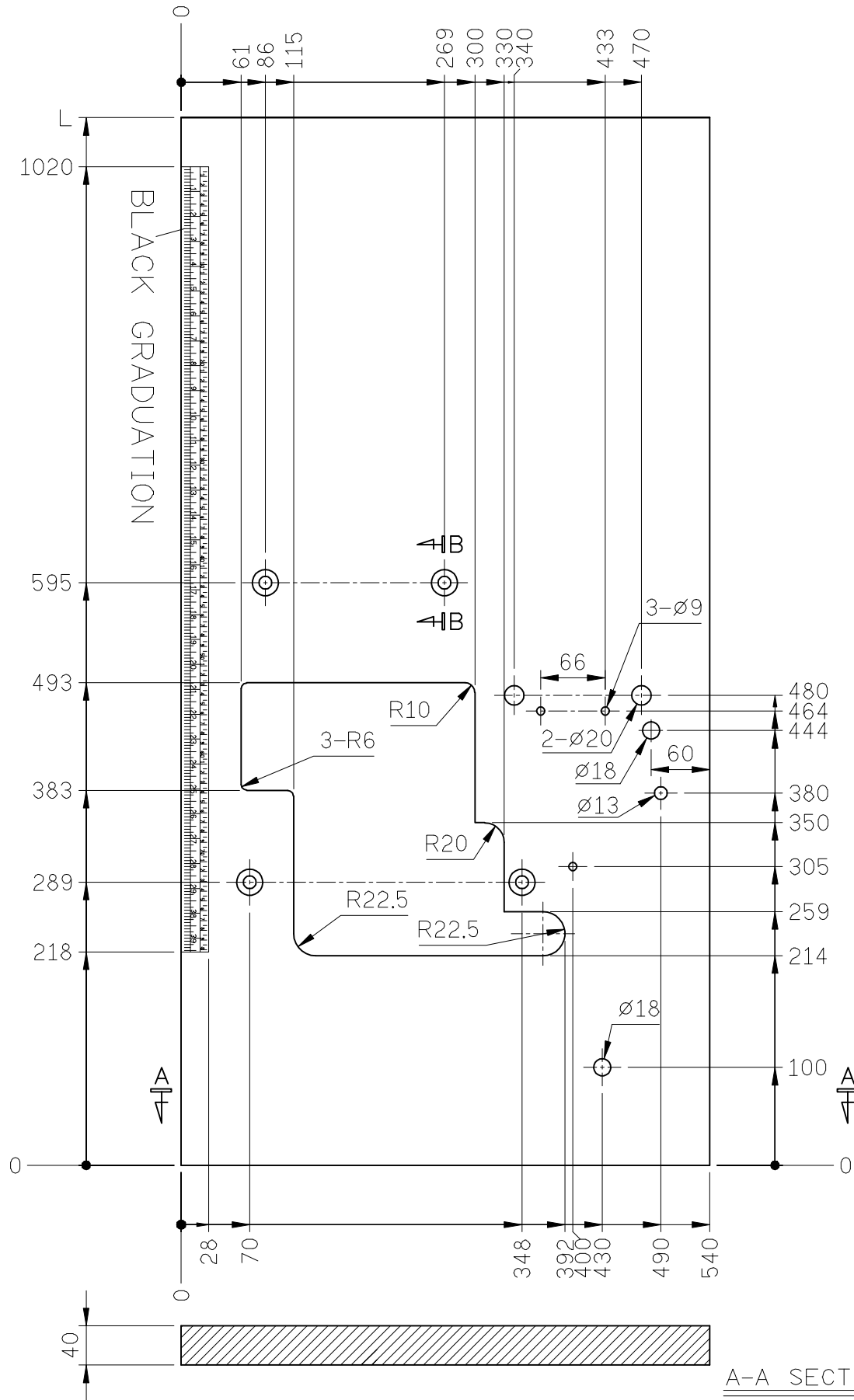
Mounting

Semi-submerged

Date

2012/11/18

TABLE CUT-OUT SEMI-SUBMERGED
 單位/UNIT:mm
 所有尺寸公差/TOLERANCE:±2
 長度(L):1070/重量(W):10.5kg±5%
 長度(L):1200/重量(W):11.6kg±5%



A-A SECTION

SIRUBA

**TABLE
CUT - OUT**

Series

700FS

Item Code

747FS-T2

Subclass Remark

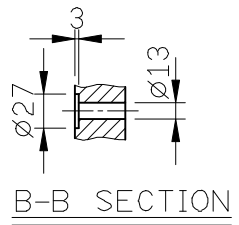
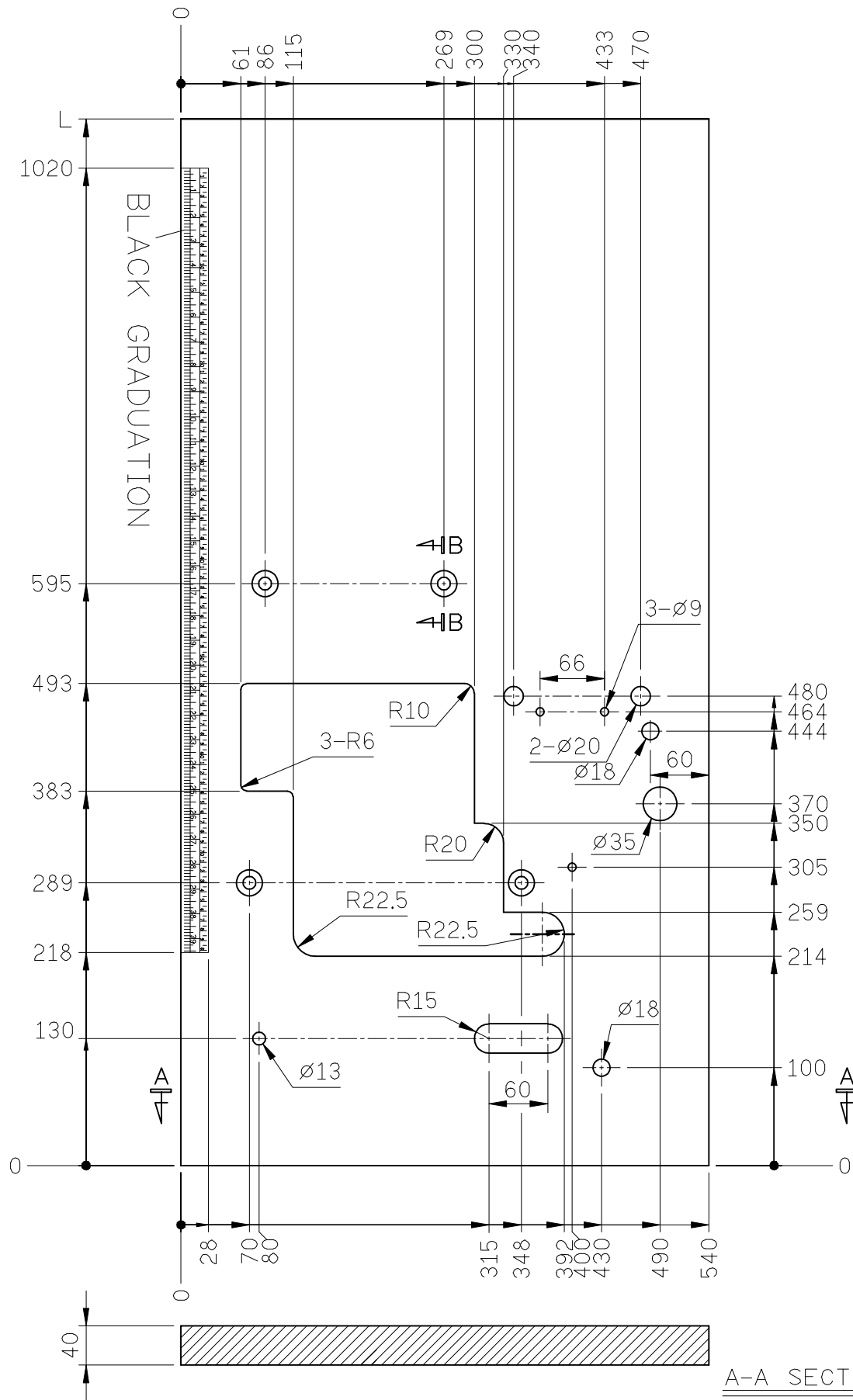
Mounting

Semi-submerged

Date

2012/11/18

TABLE CUT-OUT SEMI-SUBMERGED
單位/UNIT:mm
所有尺寸公差/TOLERANCE:±2
長度(L):1070/重量(W):10.5kg±5%
長度(L):1200/重量(W):11.6kg±5%



A-A SECTION

SIRUBATABLE
CUT - OUT

Series

700FS

Item Code

747FS-T3

Subclass Remark

需配SM895-A

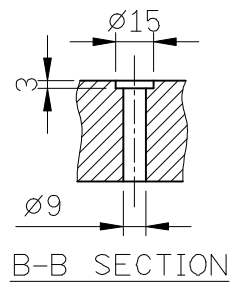
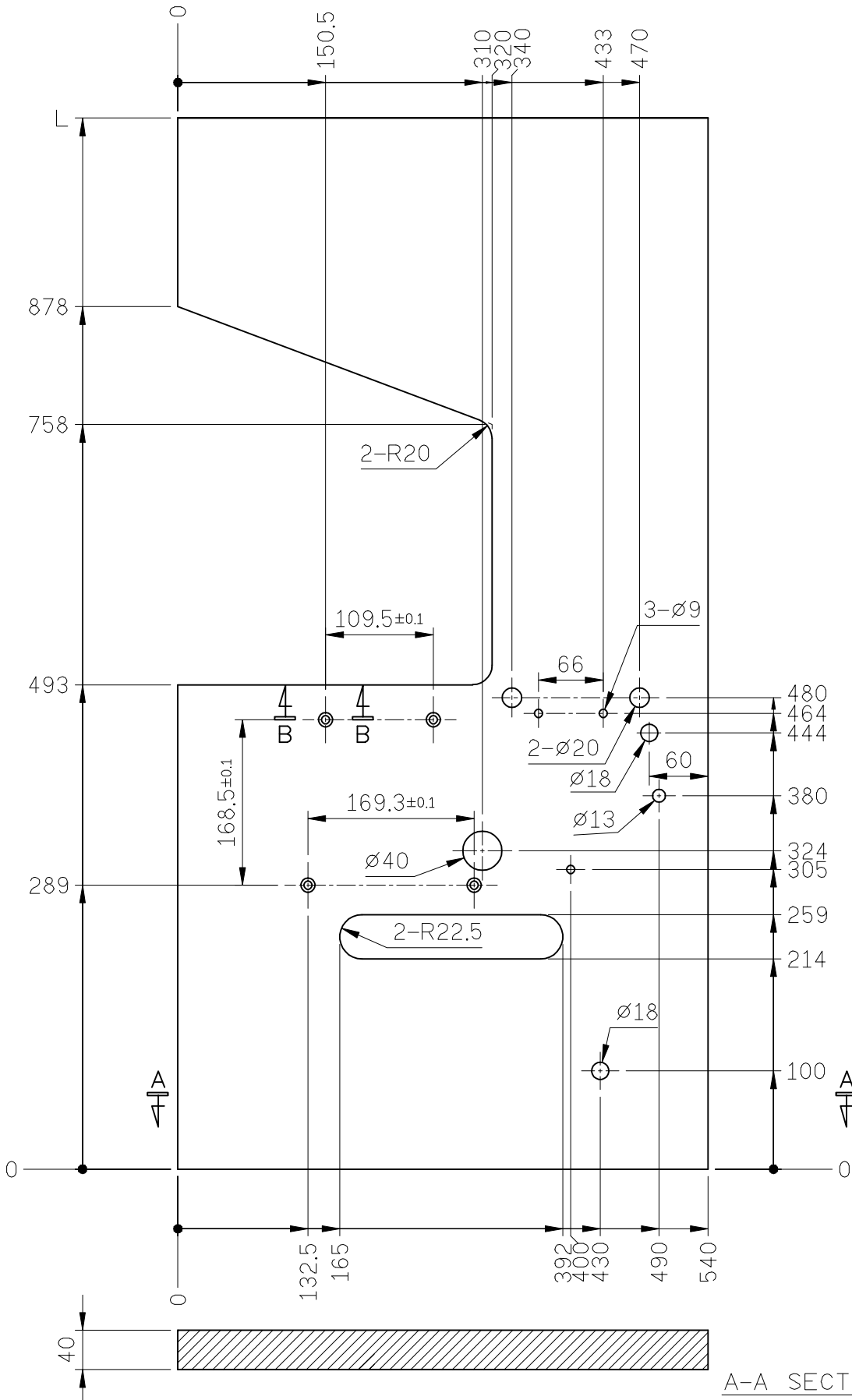
Mounting

Non-submerged

Date

2012/11/18

TABLE CUT-OUT SEMI-SUBMERGED
 單位/UNIT:mm
 所有尺寸公差/TOLERANCE:±2
 長度(L):1070/重量(W):11.2kg±5%
 長度(L):1200/重量(W):11.2kg±5%



A-A SECTION

SIRUBA
TABLE
CUT - OUT

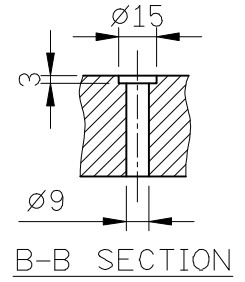
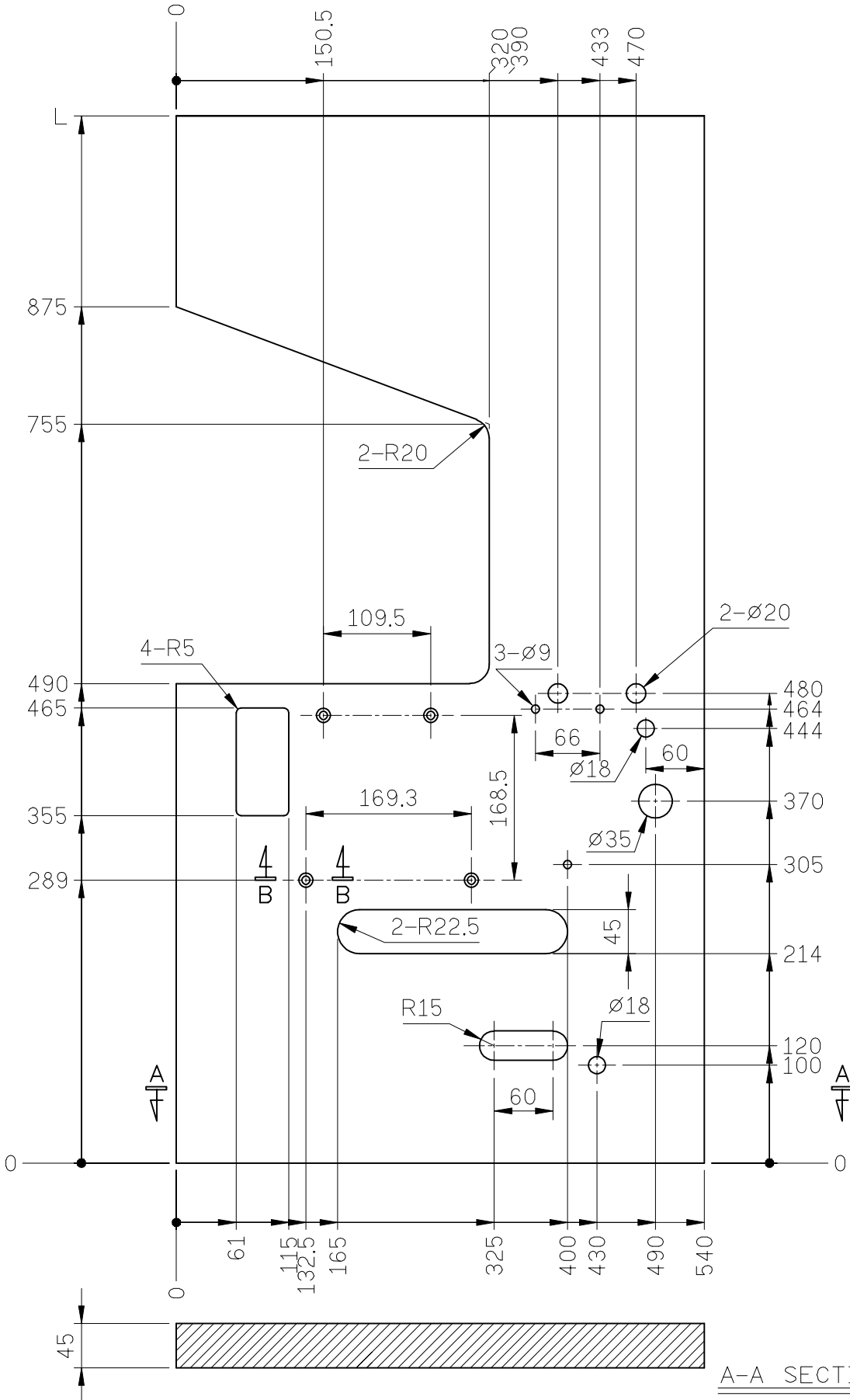
Series
700FS

Item Code
747FS-T5

Subclass Remark
For:LFD M/C
需配SM889-A

Mounting
Non-submerged
Date
2012/11/18

TABLE CUT-OUT SEMI-SUBMERGED
單位/UNIT:mm
所有尺寸公差/TOLERANCE:±2
長度(L):1070/重量(W):10.5kg±5%
長度(L):1200/重量(W):11.6kg±5%



A-A SECTION

SIRUBA

TABLE
CUT - OUT

Series

700FS

Item Code

Subclass Remark

SM895-A組裝圖

Mounting

Non-submerged

Date

2016/06/03

