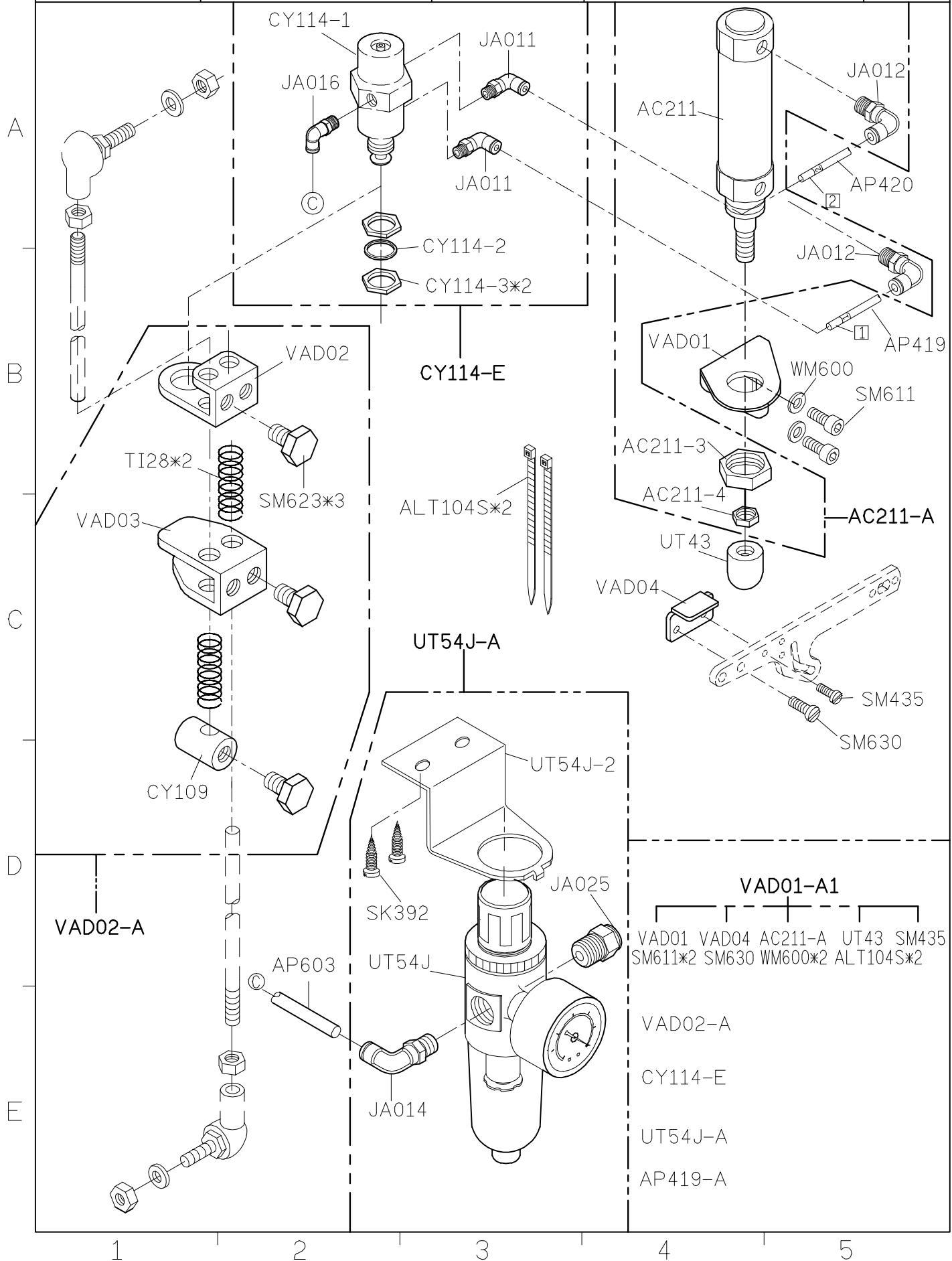
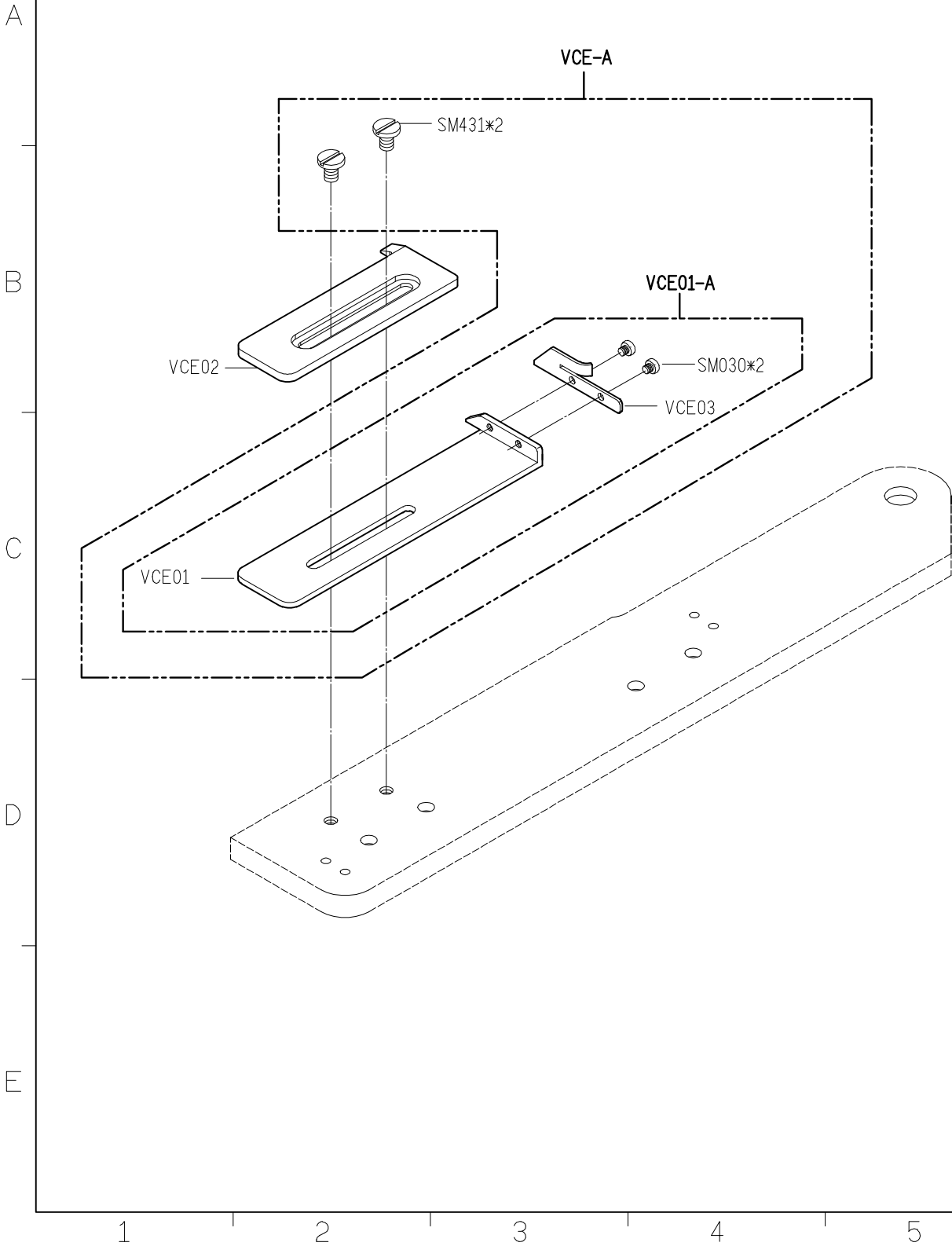


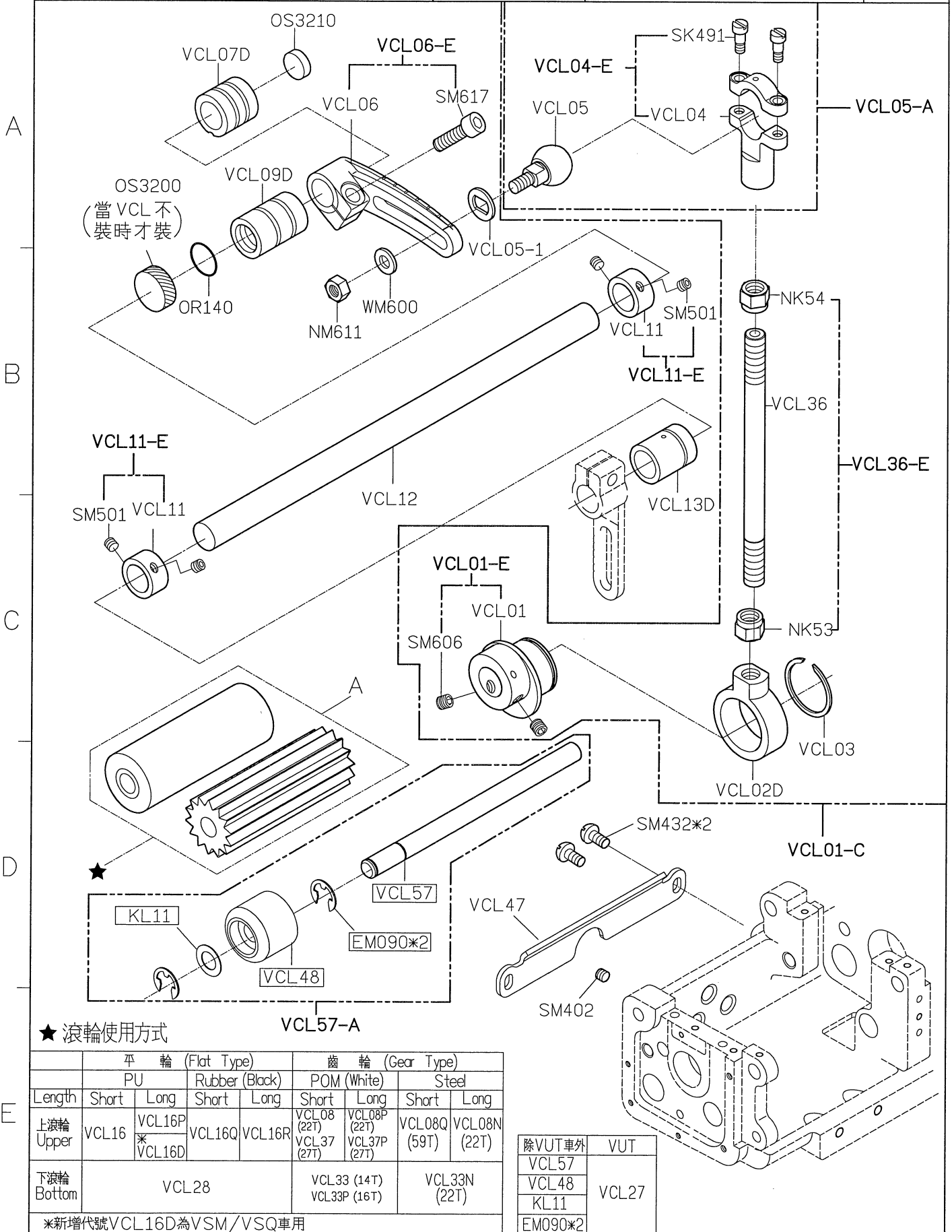
SIRUBA PARTS LIST	Series	Parts Group	Subclass / Remark	Page
	VC008	VAD		1/1
				Date
				2012/08/24



SIRUBA PARTS LIST	Series	Parts Group	Subclass / Remark	Page
	VC008	VCE		1/1
				Date
				2012/08/24



SIRUBA PARTS LIST	Series	Parts Group	Subclass / Remark	Page
	VC008	VCL		1/3
				Date
				2015/11/06



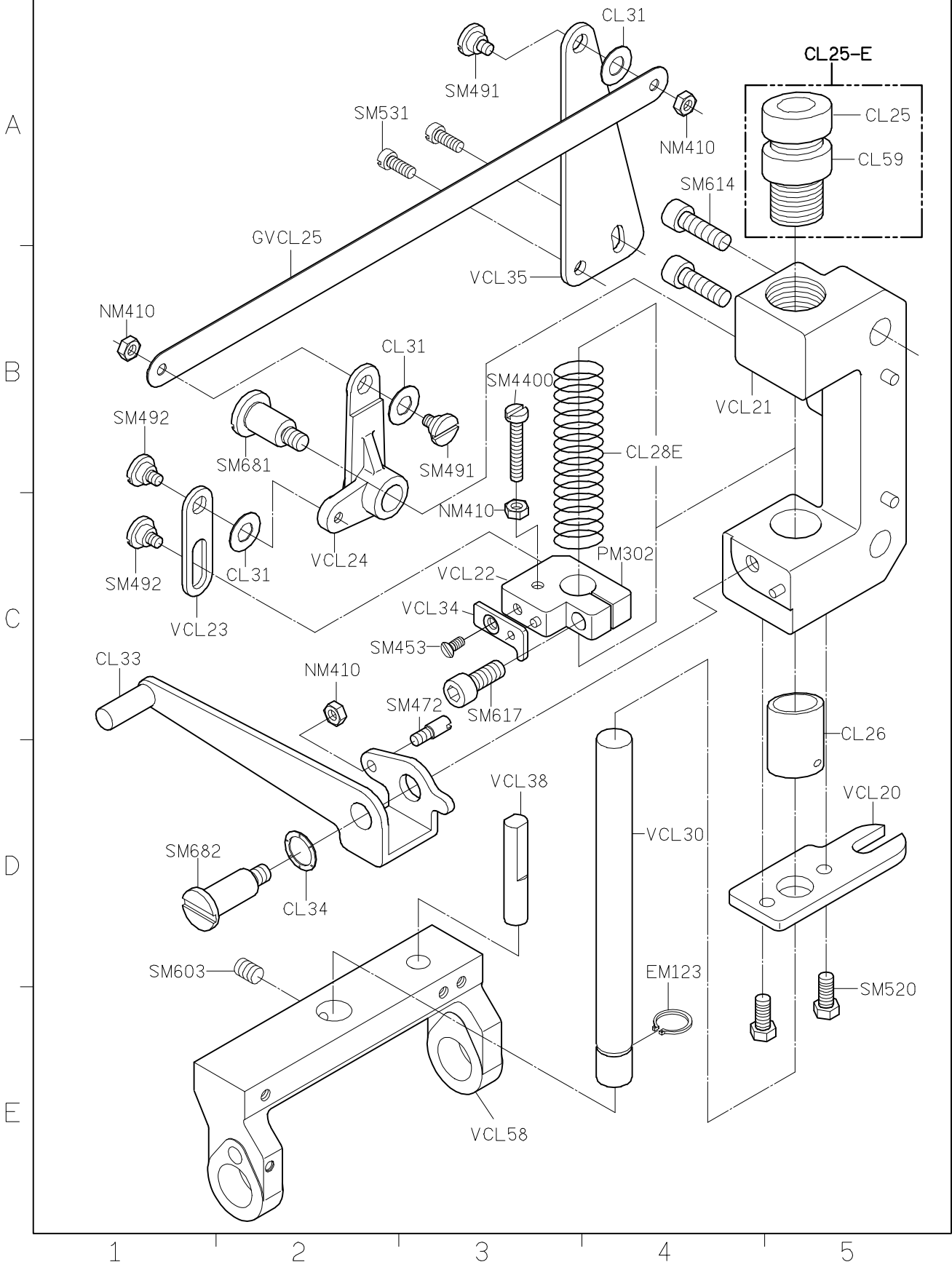
★ 滾輪使用方式

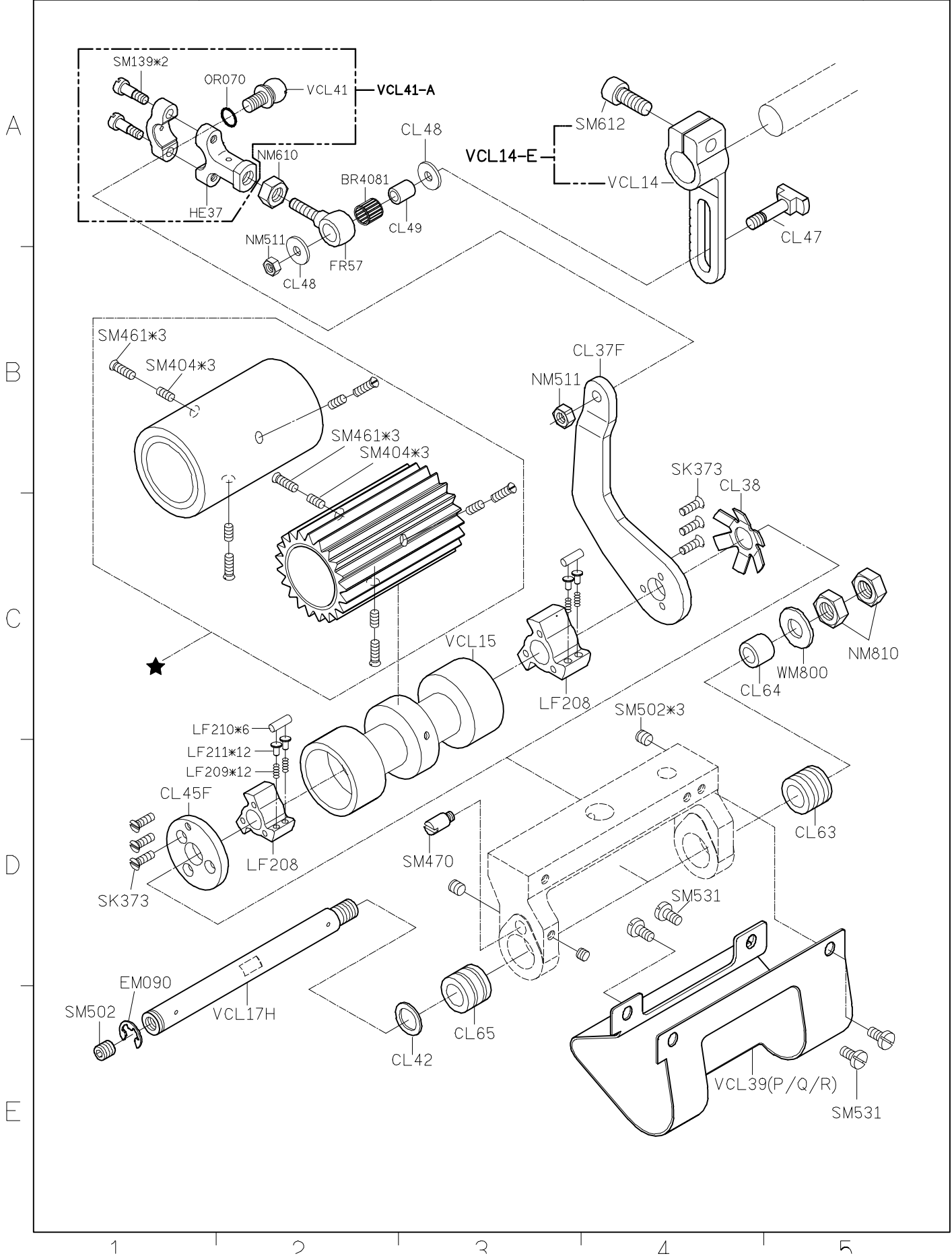
	平輪 (Flat Type)				齒輪 (Gear Type)			
	PU		Rubber (Black)		POM (White)		Steel	
	Short	Long	Short	Long	Short	Long	Short	Long
上滾輪 Upper	VCL16	VCL16P * VCL16D	VCL16Q	VCL16R	VCL08 (22T) VCL37 (27T)	VCL08P (22T) VCL37P (27T)	VCL08Q (59T)	VCL08N (22T)
下滾輪 Bottom	VCL28				VCL33 (14T) VCL33P (16T)		VCL33N (22T)	

除VUT車外	VUT
VCL57	VCL27
VCL48	
KL11	
EM090*2	

*新增代號VCL16D為VSM/VSQ車用

SIRUBA PARTS LIST	Series	Parts Group	Subclass / Remark	Page
	VC008	VCL		2/3
				Date
				2012/08/21





SIRUBA

PARTS LIST

Series

VC008

Parts Group

VMR

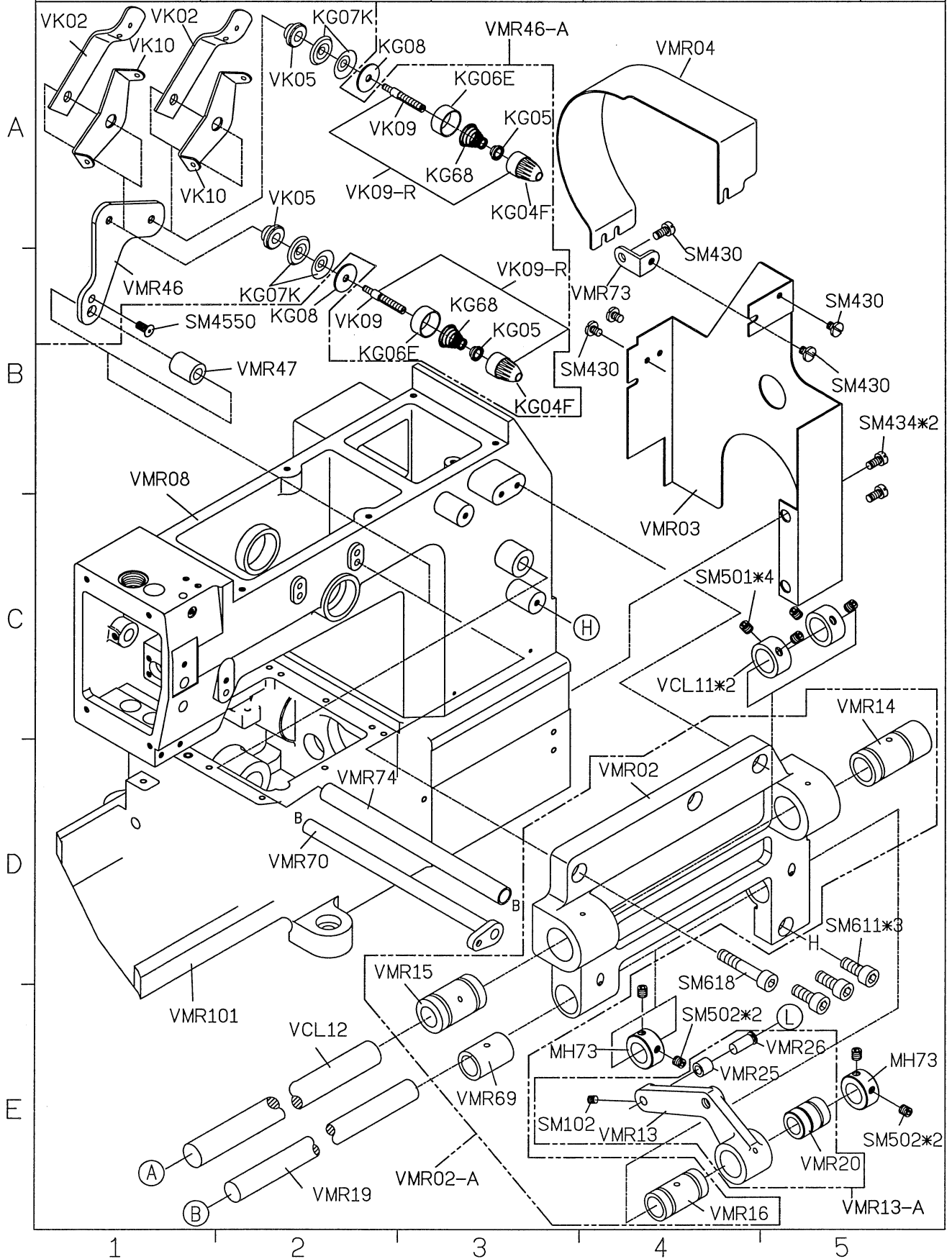
Subclass / Remark

Page

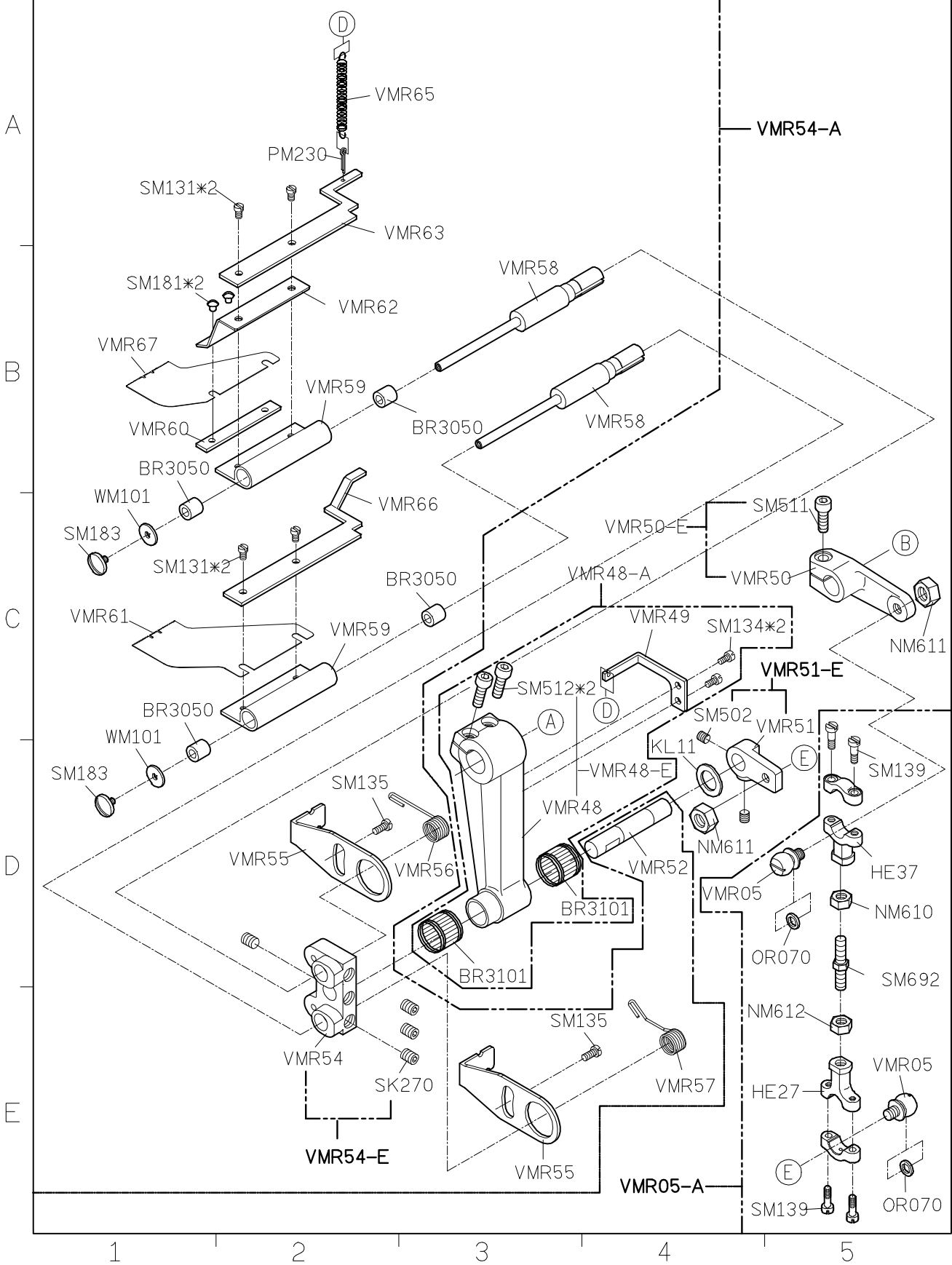
1/5

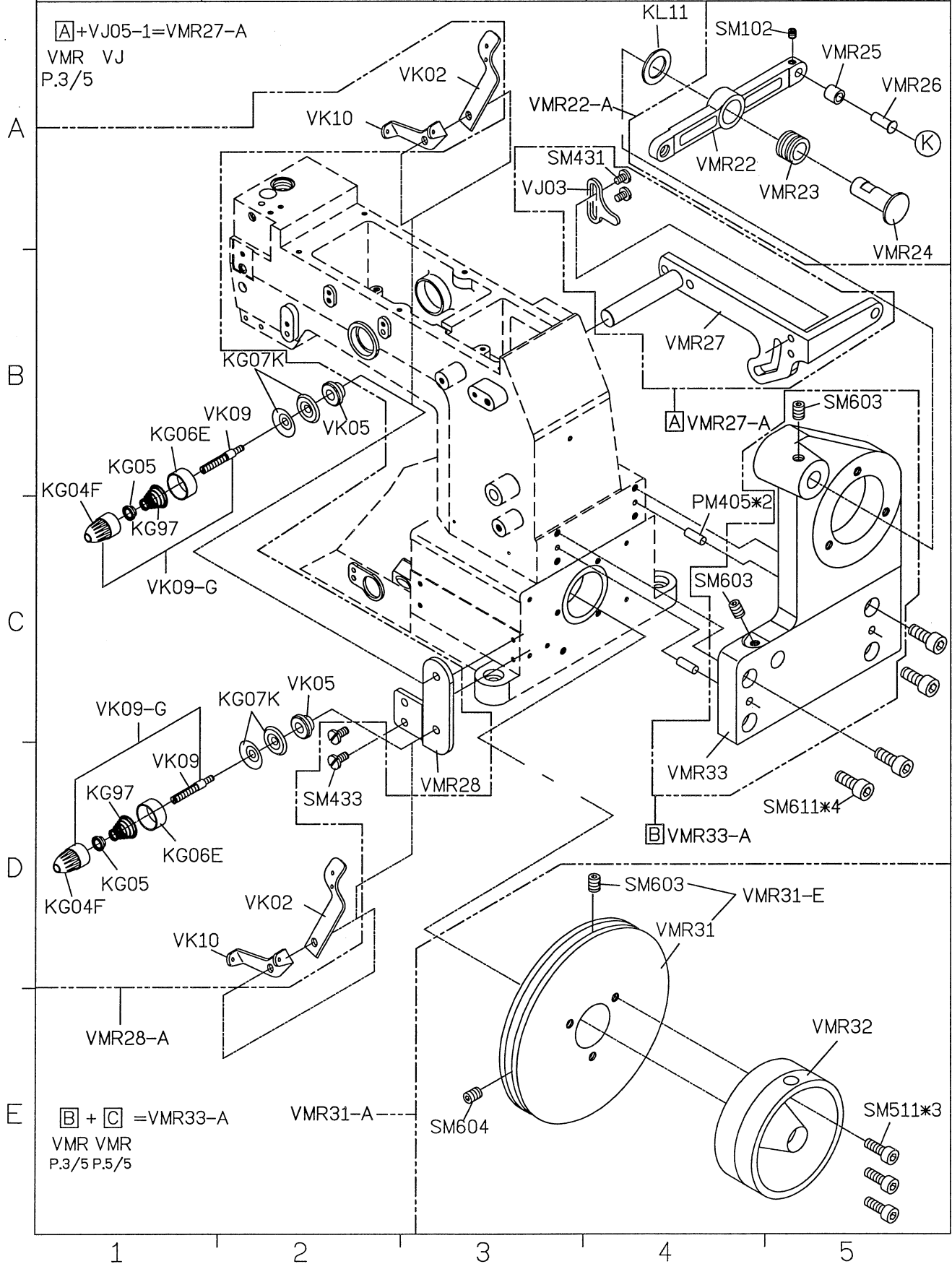
Date

2015/08/05

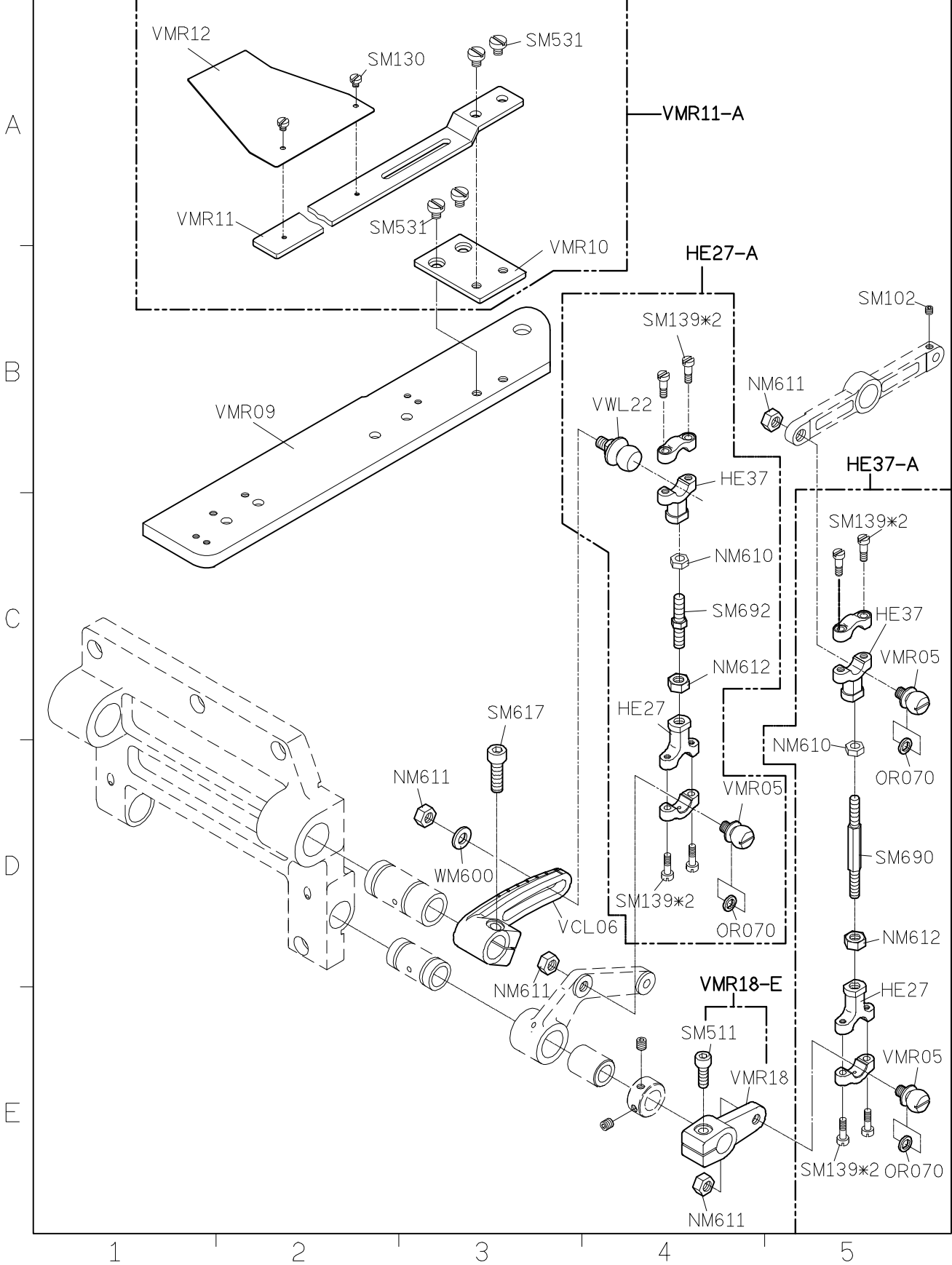


SIRUBA PARTS LIST	Series	Parts Group	Subclass / Remark	Page
	VC008	VMR		2/5
				Date
				2012/03/25

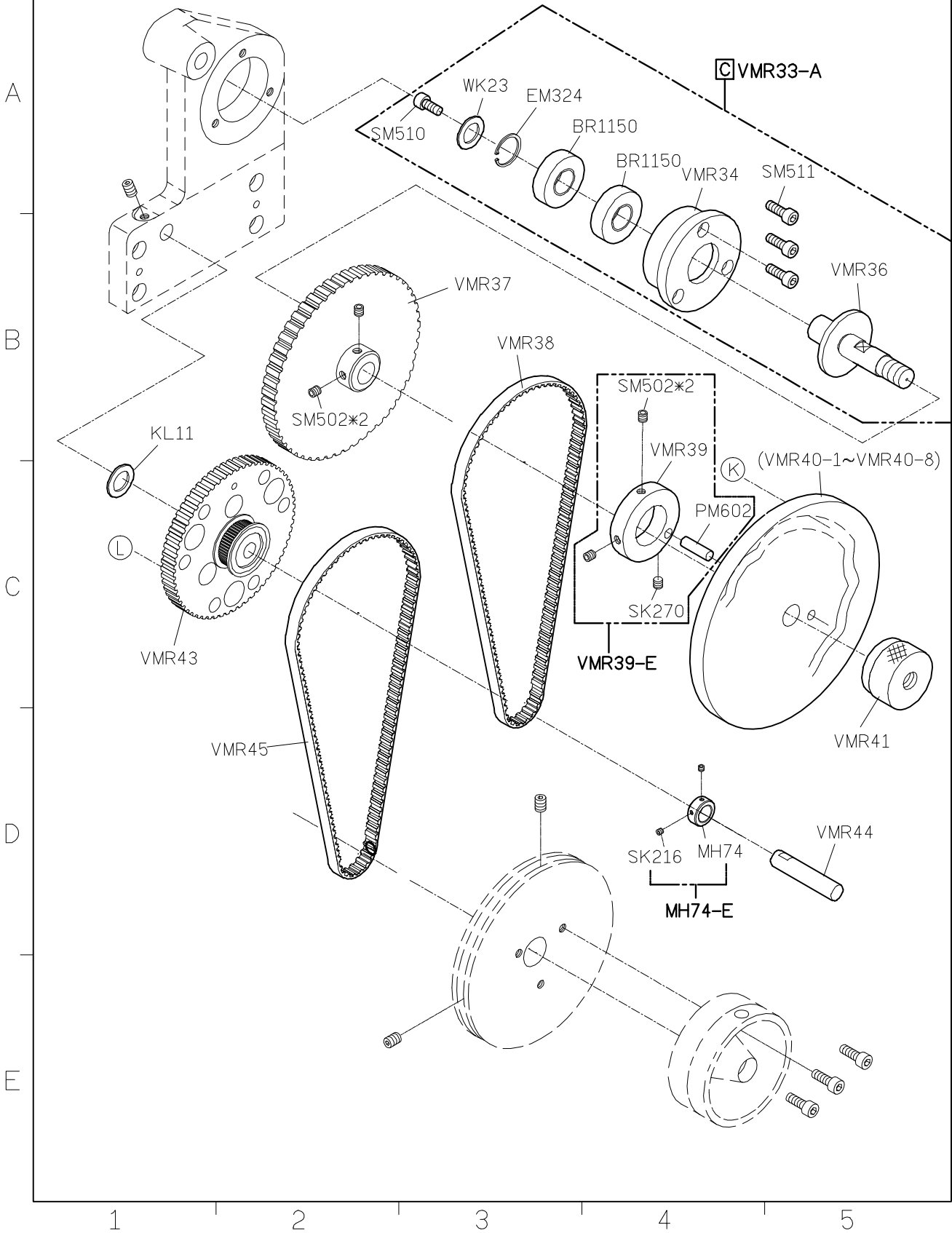




SIRUBA PARTS LIST	Series	Parts Group	Subclass / Remark	Page
	VC008	VMR		4/5
				Date
				2012/03/25



SIRUBA PARTS LIST	Series	Parts Group	Subclass / Remark	Page
	VC008	VMR		5/5
				Date
				2012/09/25



SIRUBA

PARTS LIST

Series
VC008

Parts Group
VPL

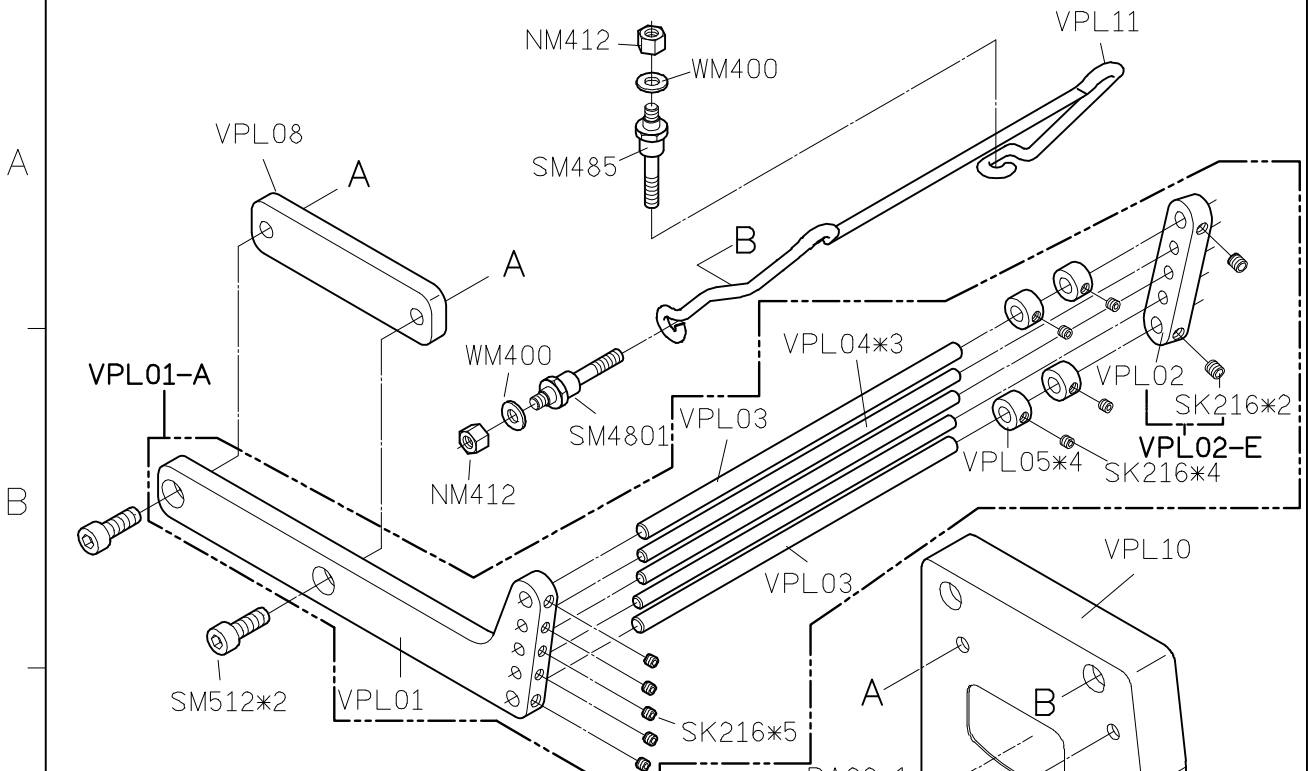
Subclass / Remark

Page

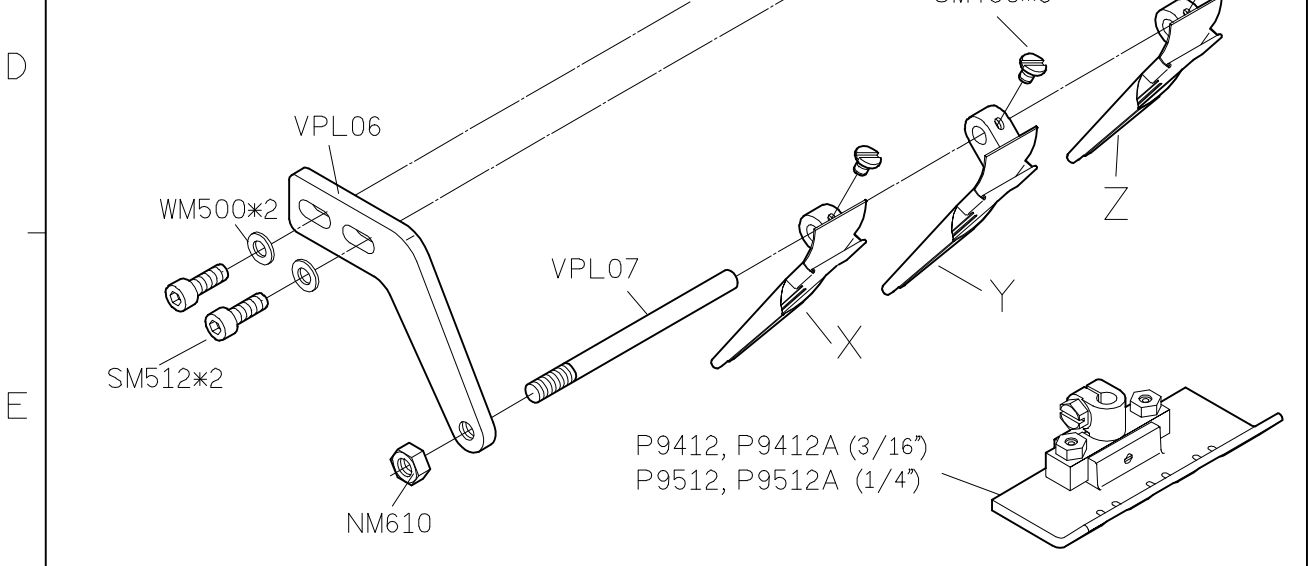
1/1

Date

2012/03/24



機型 Model	完成尺寸 Finished Size	X	Y	Z	針寬 Needle Holder	壓具 Presser Foot
VC008-06048	8	B417P	B417AP	B417P	3/16"	P9412DA
	9	B417Q	B417AQ	B417Q		P9412D
VC008-06064	10	B417R	B417AR	B417R	1/4"	P9512DA
	12	B417S	B417AS	B417S		P9512D
	16	B417U	B417AU	B417U		P9512B
VC008-12064	16	B417U	B417AU	B417U	1/4"	P9712D

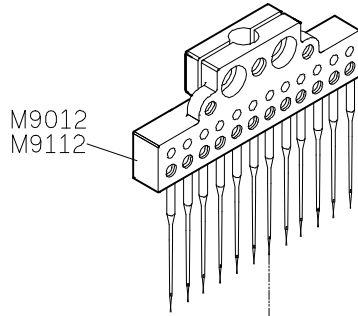


1 2 3 4 5

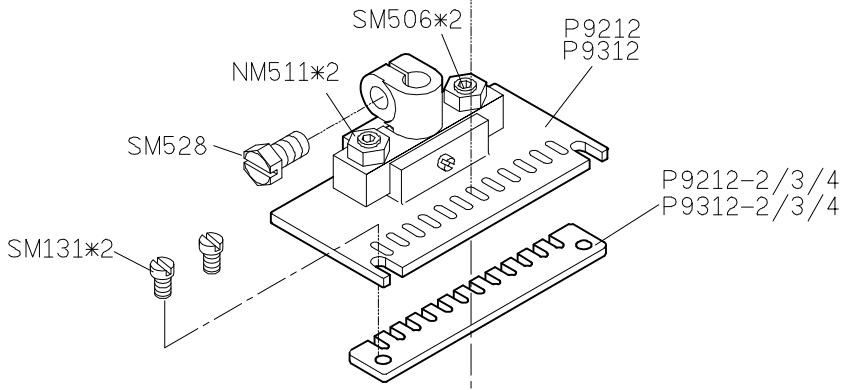
P9412, P9412A (3/16")
P9512, P9512A (1/4")

SIRUBA PARTS LIST	Series	Parts Group	Subclass / Remark	Page
	VC008	VPQ		1/2
				Date
				2012/08/24

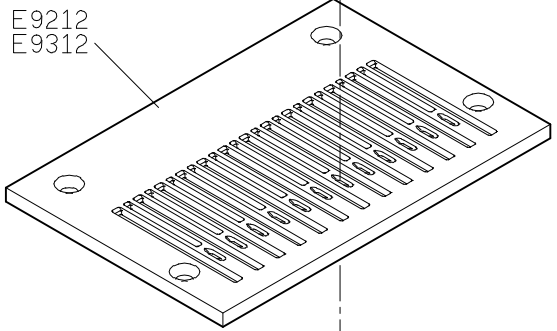
A



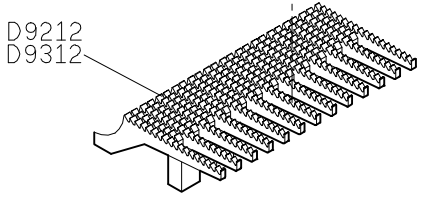
B



C



D



E

1

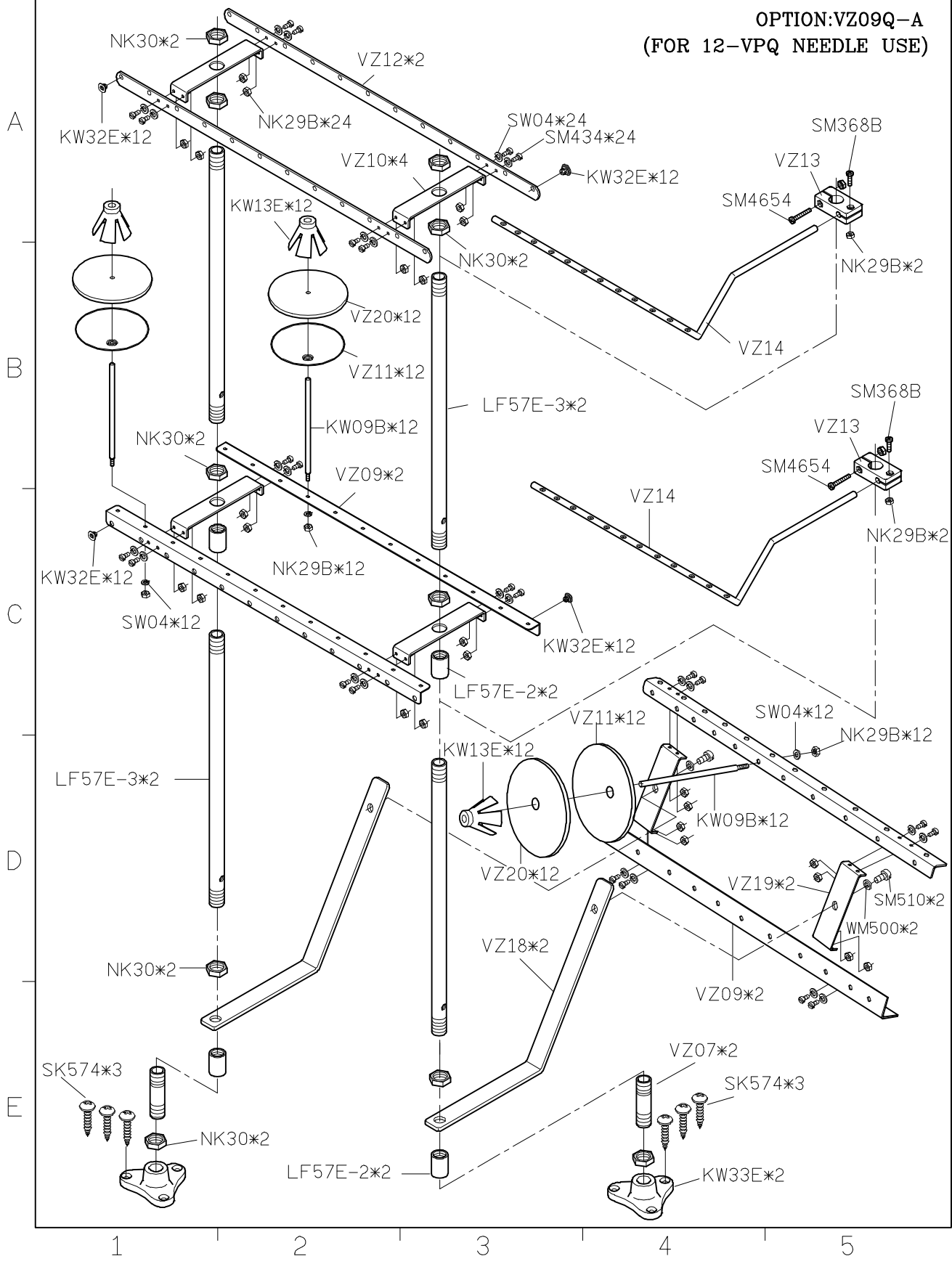
2

3

4

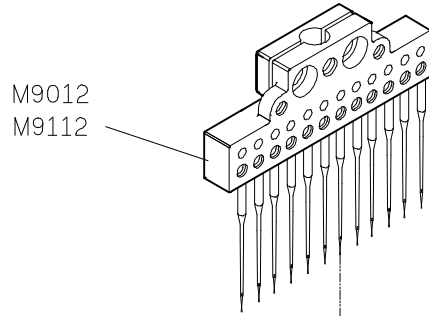
5

SIRUBA PARTS LIST	Series	Parts Group	Subclass / Remark	Page
	VC008	VPQ		2/2
				Date
				2012/08/24

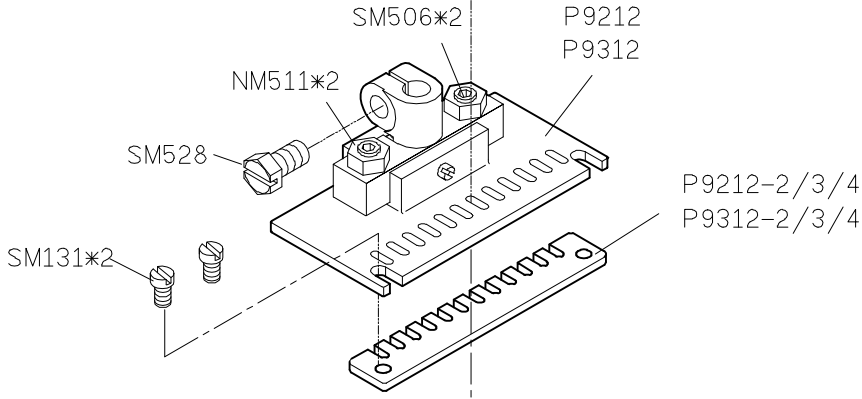


SIRUBA PARTS LIST	Series	Parts Group	Subclass / Remark	Page
	VC008	VPQK		1/5
				Date
				2012/08/24

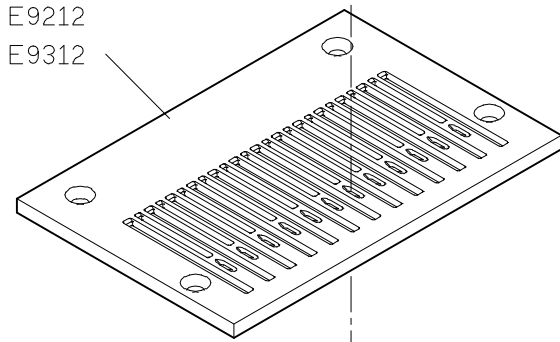
A



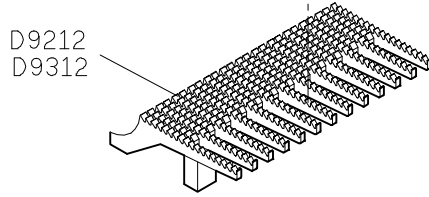
B



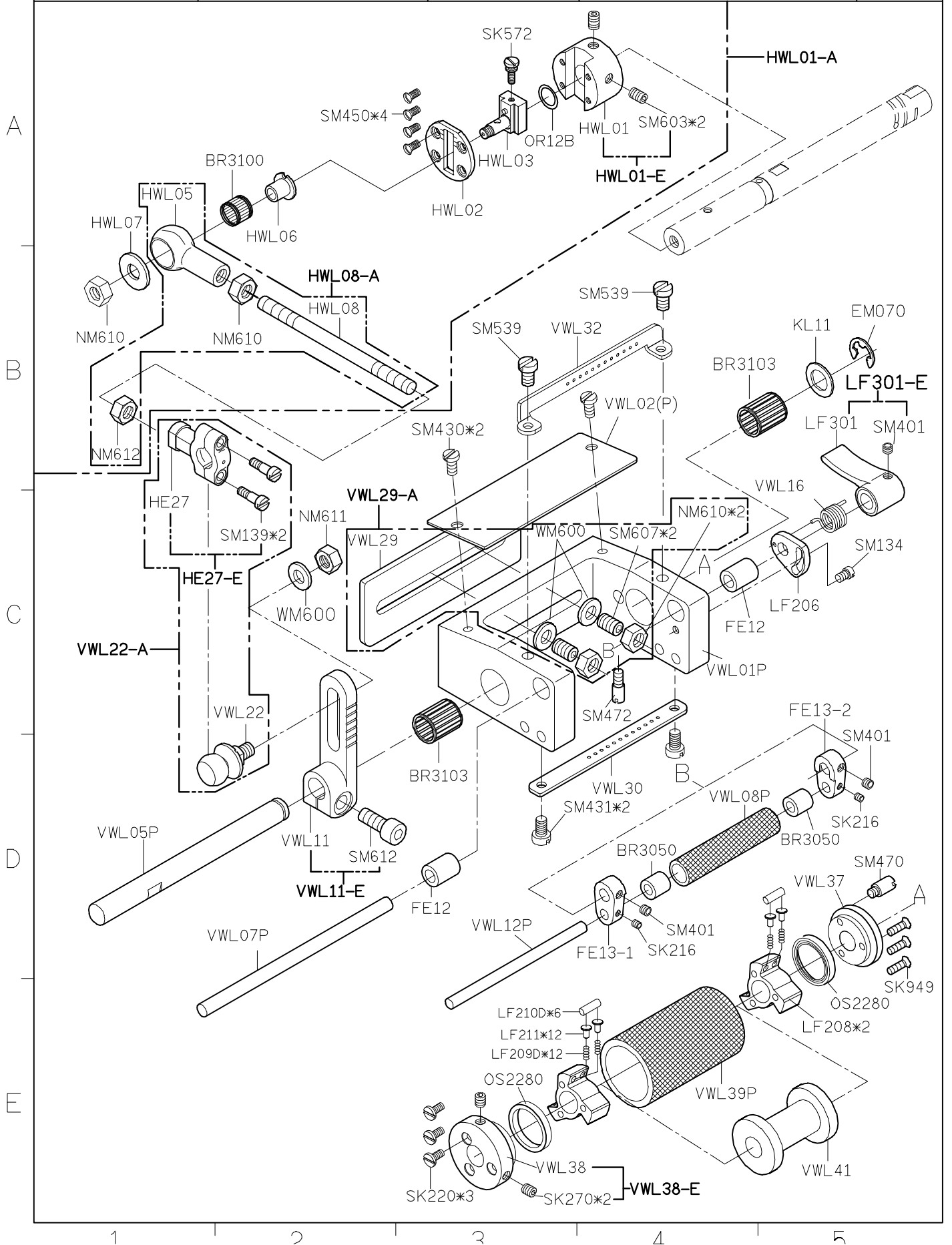
C



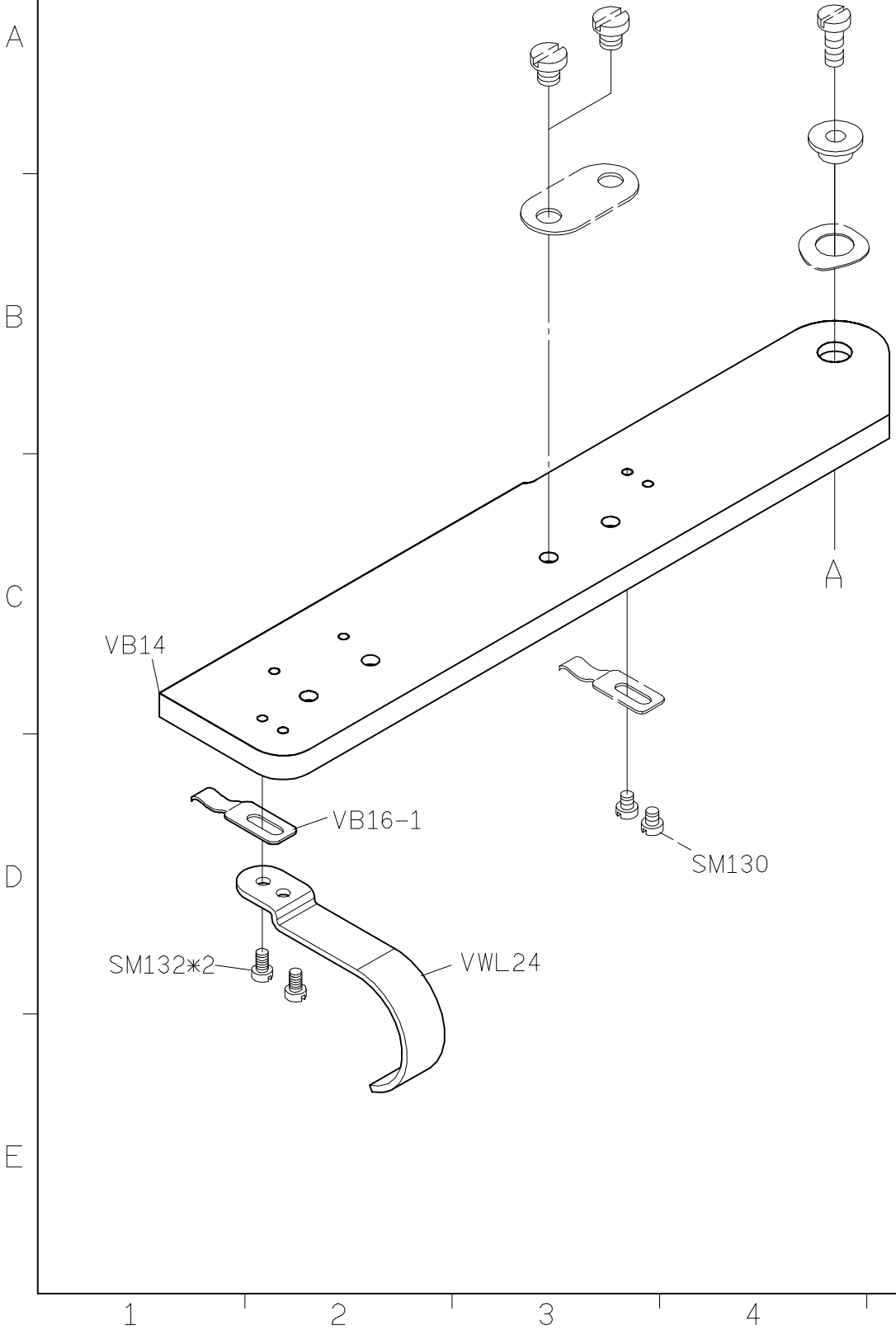
D



E

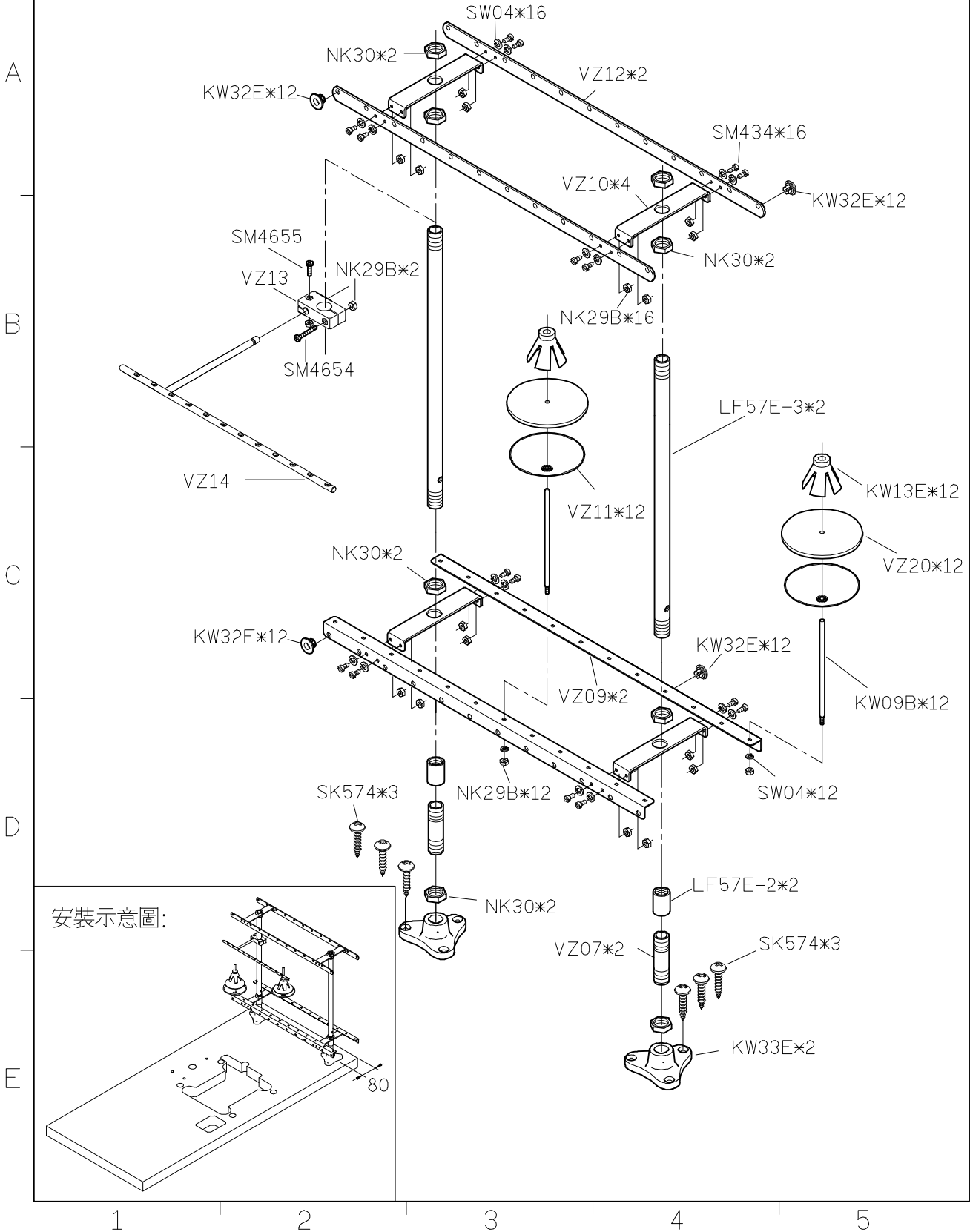


SIRUBA PARTS LIST	Series	Parts Group	Subclass / Remark	Page
	VC008	VPQK		3/5
				Date
				2012/08/24



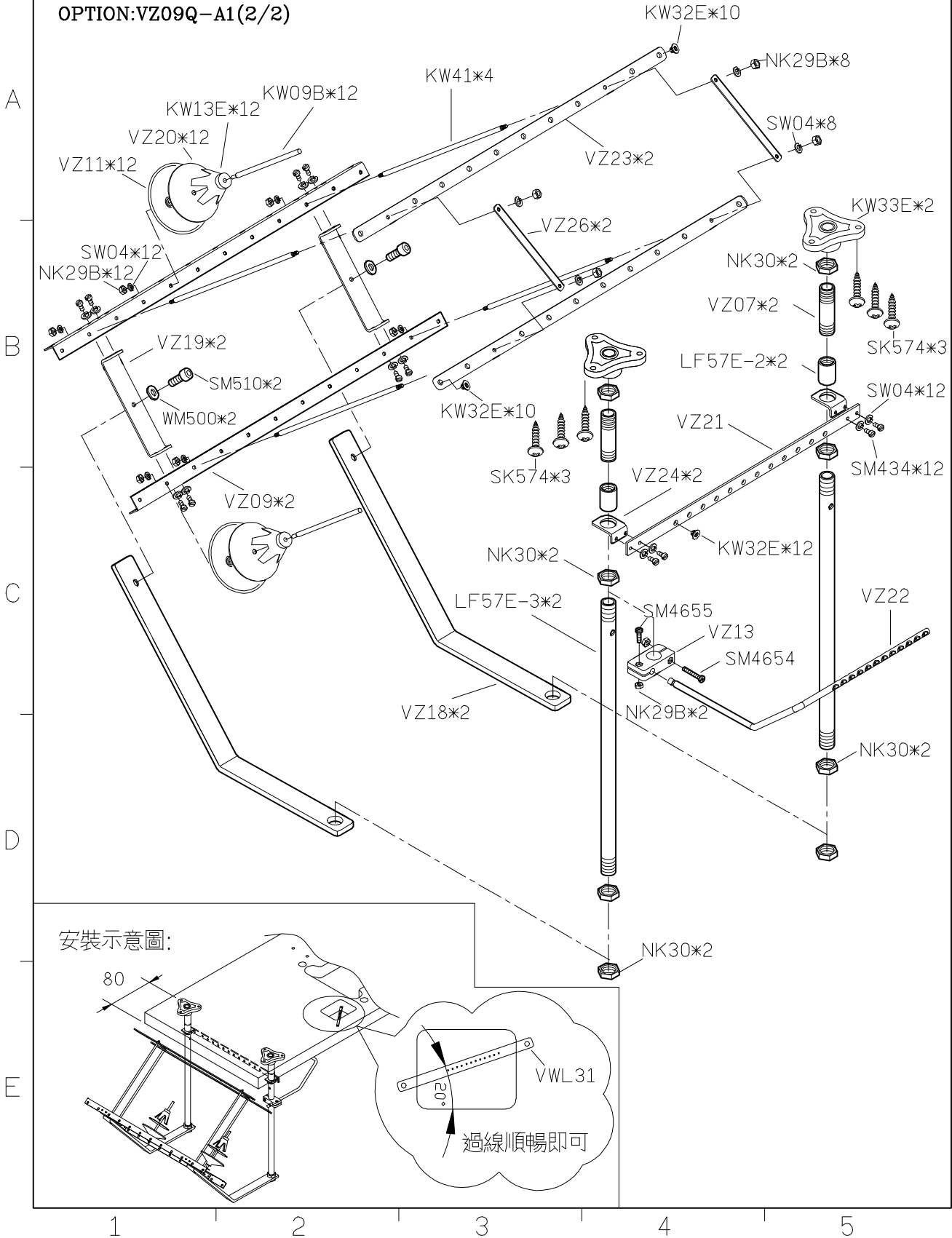
SIRUBA PARTS LIST	Series	Parts Group	Subclass / Remark	Page
	VC008	VPQK		4/5
				Date
				2012/08/24

OPTION:VZ09Q-A1(1/2)



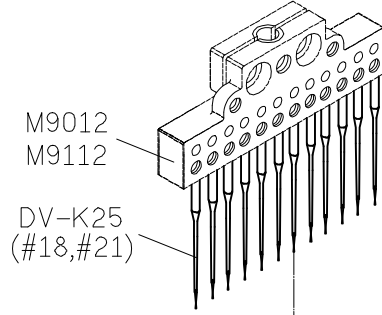
SIRUBA PARTS LIST	Series	Parts Group	Subclass / Remark	Page
	VC008	VPQK		5/5
				Date
				2012/08/24

OPTION:VZ09Q-A1(2/2)

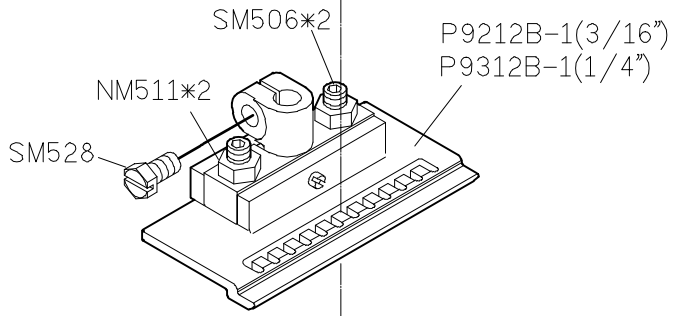


SIRUBA PARTS LIST	Series	Parts Group	Subclass / Remark	Page
	VC008	VPS		1/3
				Date
				2012/08/24

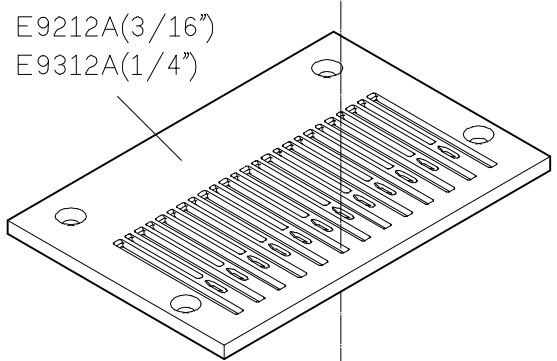
A



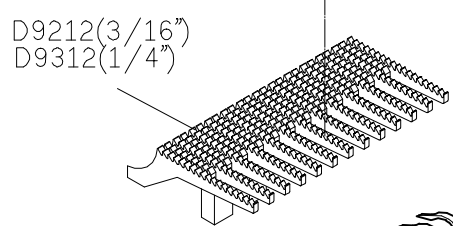
B



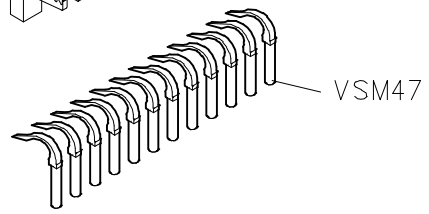
C



D

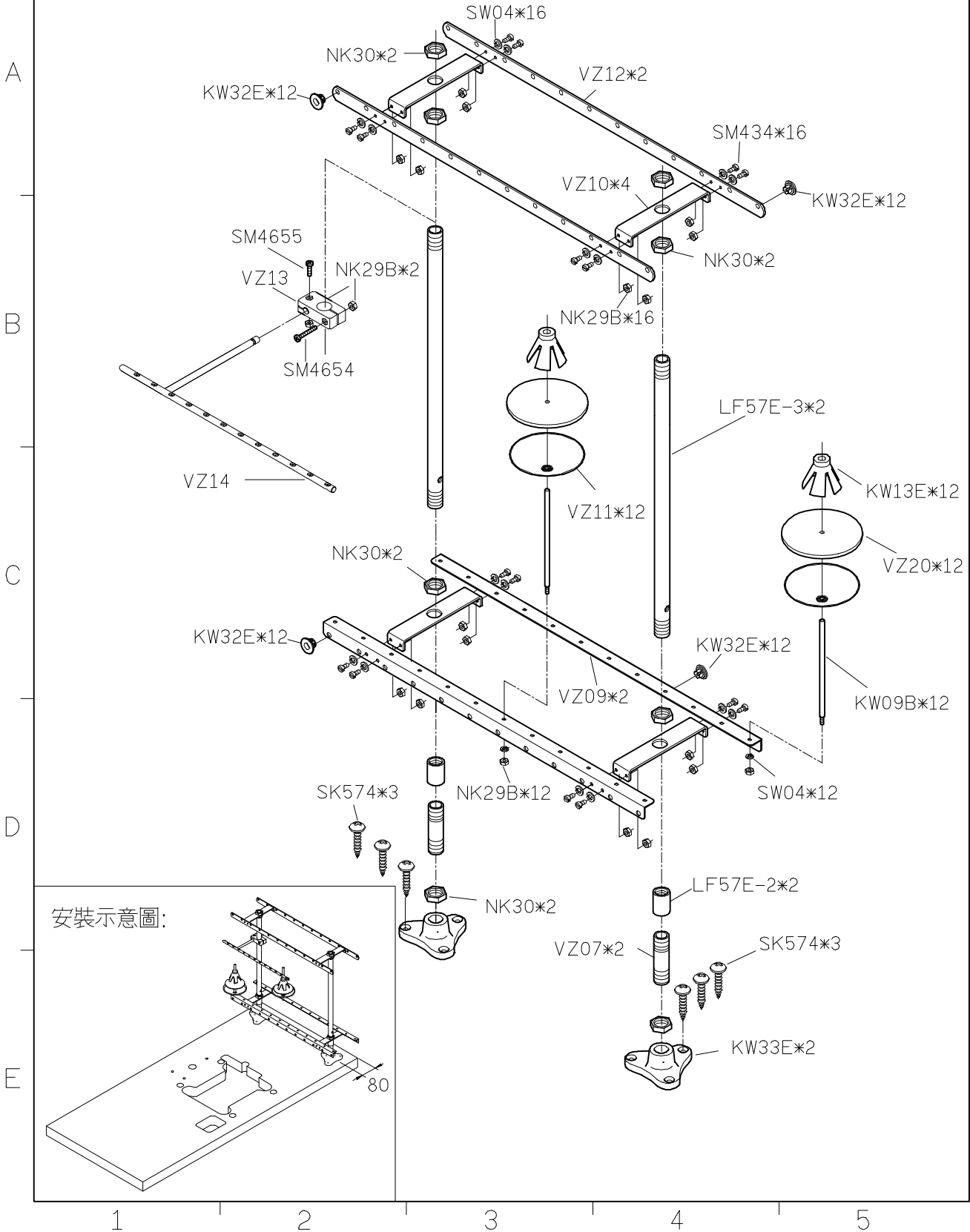


E



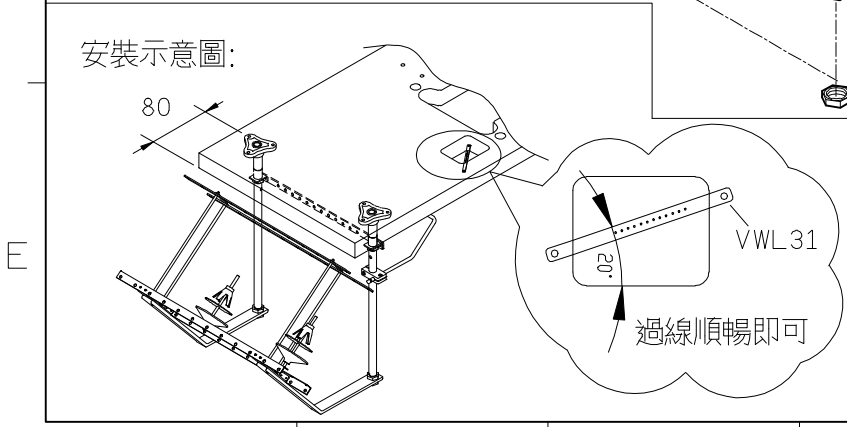
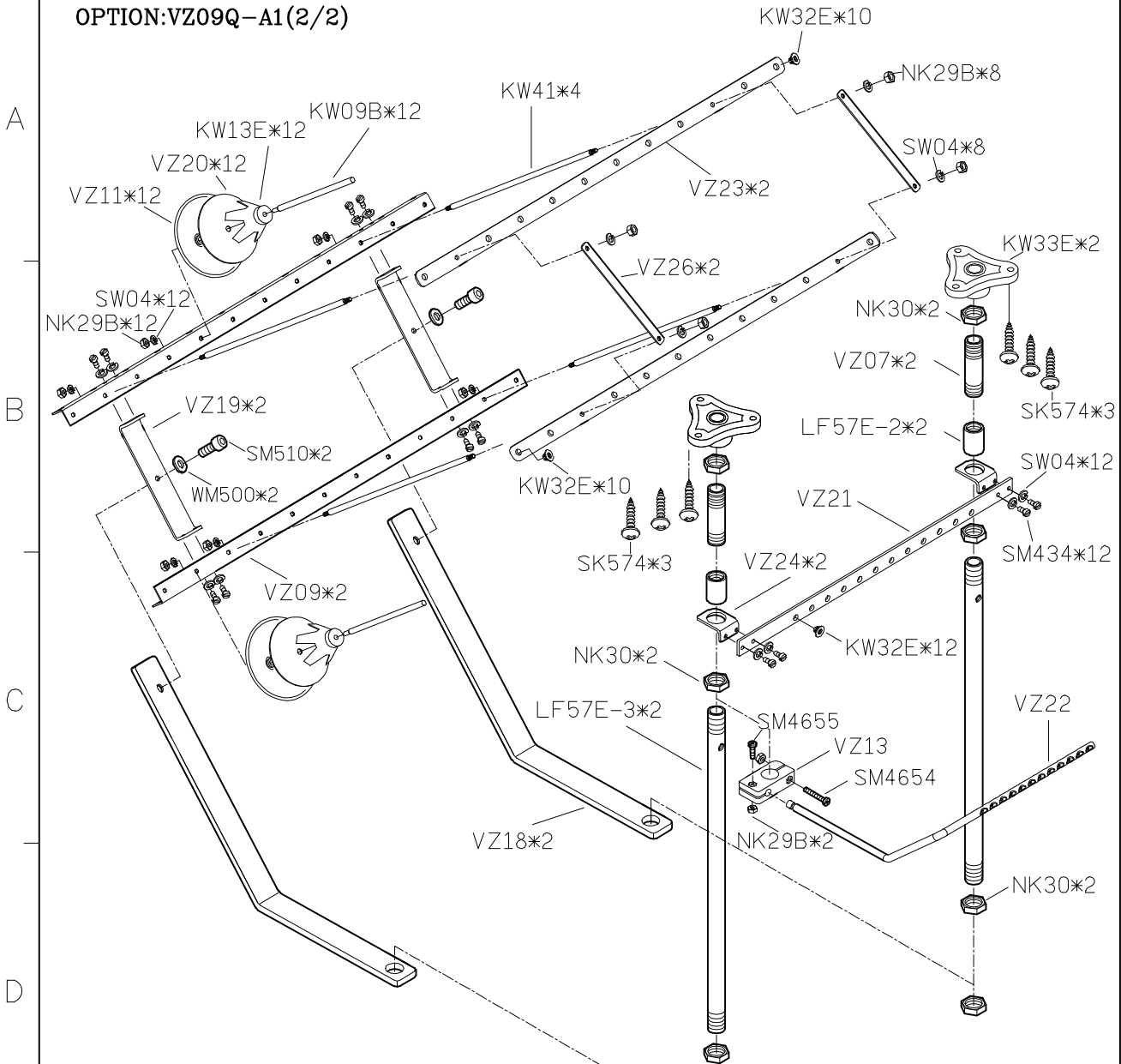
SIRUBA PARTS LIST	Series	Parts Group	Subclass / Remark	Page
	VC008	VPS		2/3
				Date
				2012/08/24

OPTION:VZ09Q-A1(1/2)



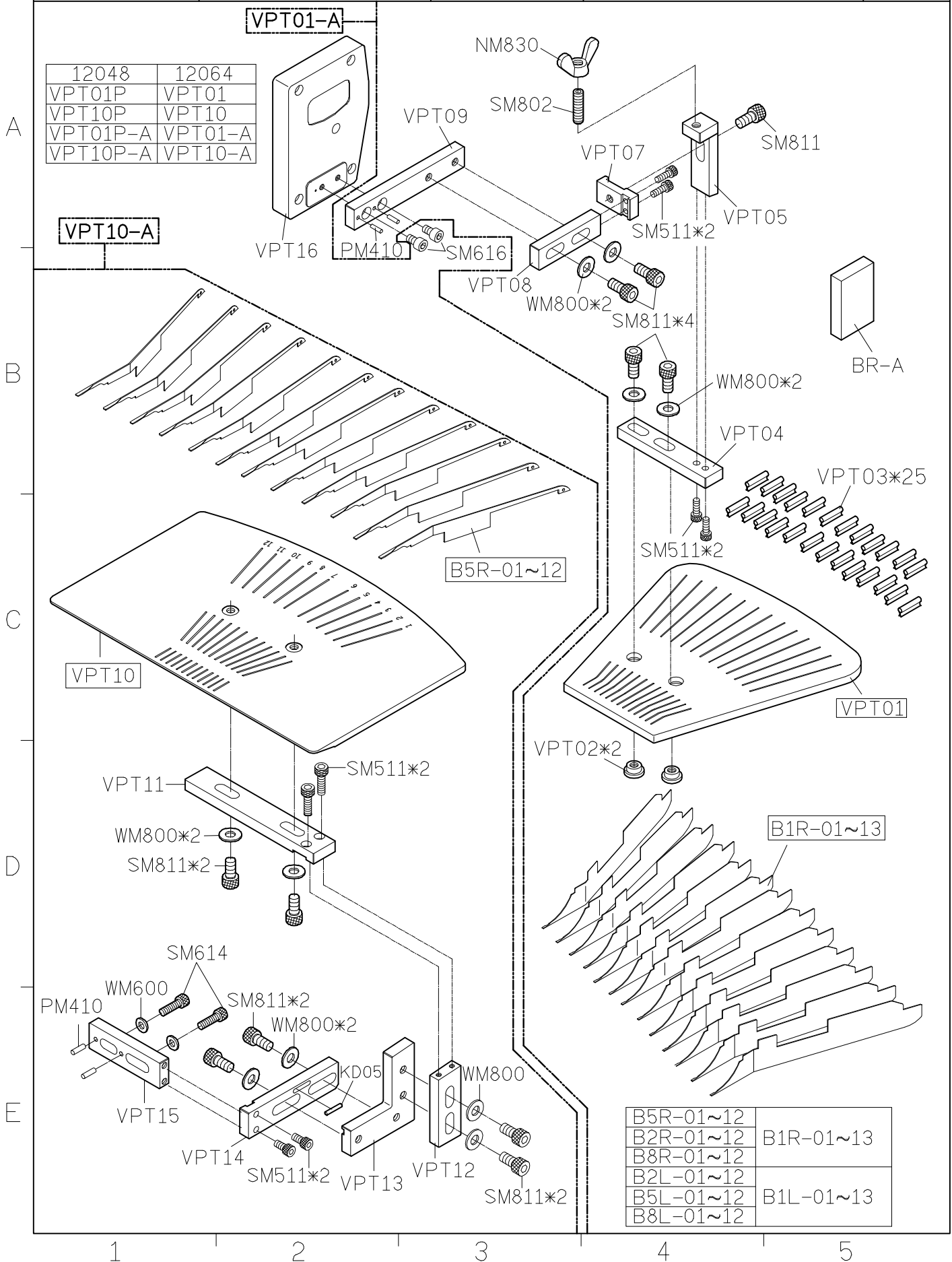
SIRUBA PARTS LIST	Series	Parts Group	Subclass / Remark	Page
	VC008	VPS		3/3
				Date
				2012/08/24

OPTION:VZ09Q-A1(2/2)



1 2 3 4 5

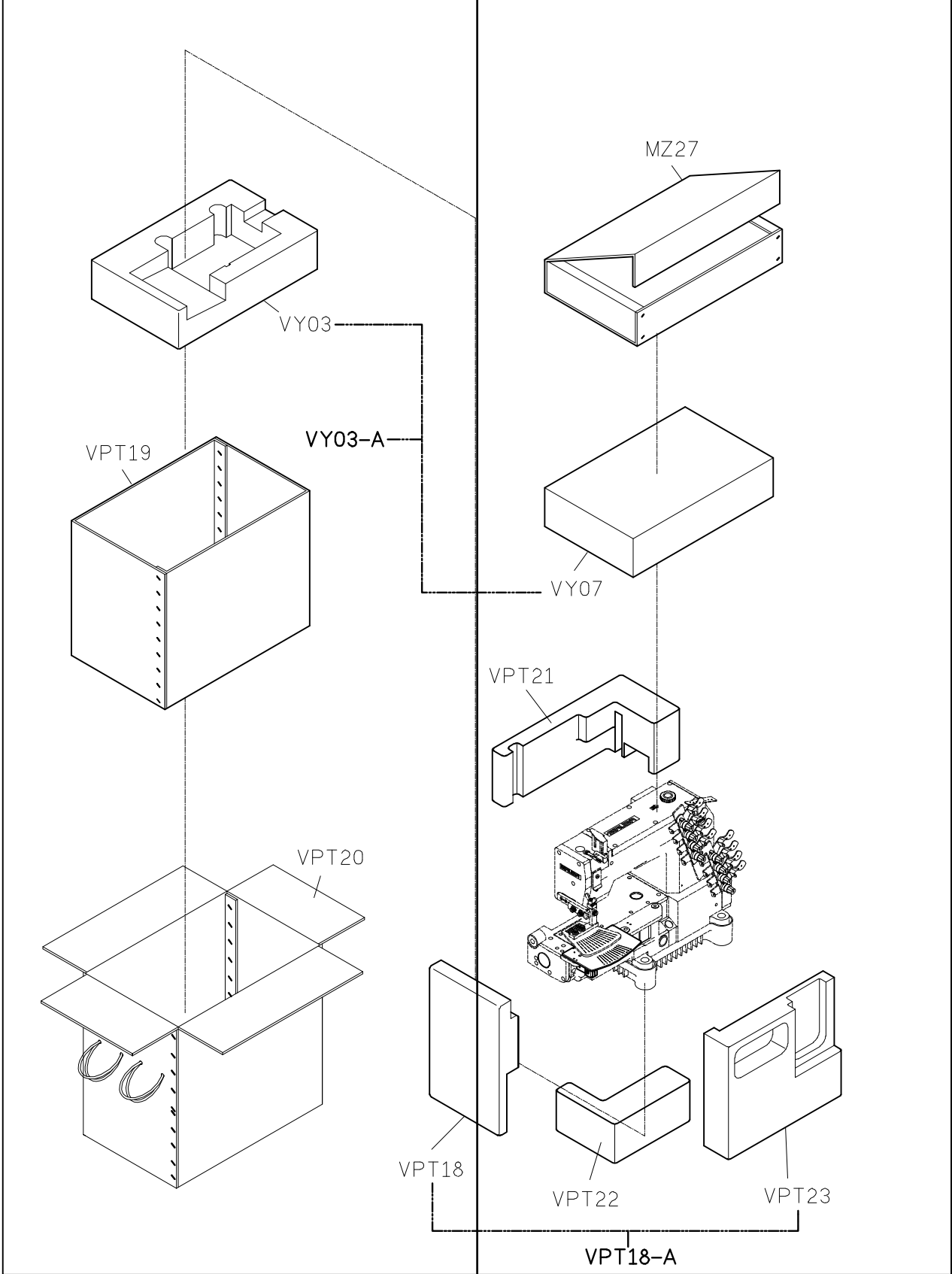
SIRUBA PARTS LIST	Series	Parts Group	Subclass / Remark	Page
	VC008	VPT		1/2
				Date
				2012/08/24



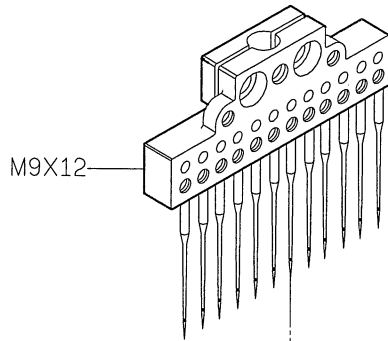
12048	12064
VPT01P	VPT01
VPT10P	VPT10
VPT01P-A	VPT01-A
VPT10P-A	VPT10-A

B5R-01~12	
B2R-01~12	B1R-01~13
B8R-01~12	
B2L-01~12	
B5L-01~12	B1L-01~13
B8L-01~12	

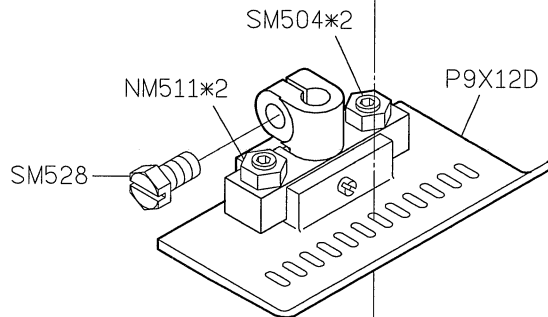
SIRUBA SEQUENCE LIST	Series	Parts Group	Subclass / Remark	Page
	VC008	VPT		2/2
				Date
				2012/03/24



A

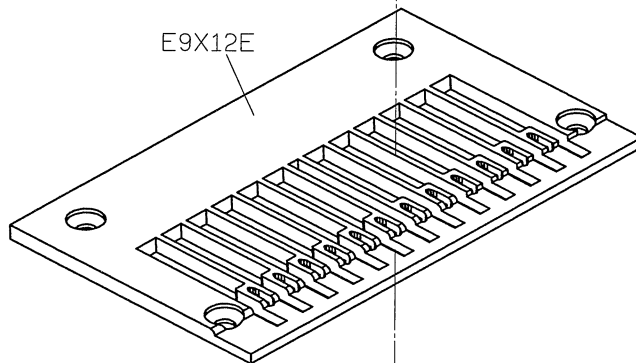


B



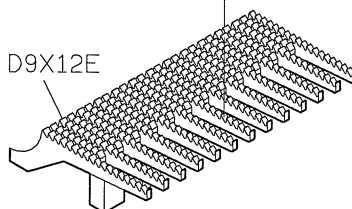
C

E9X12E

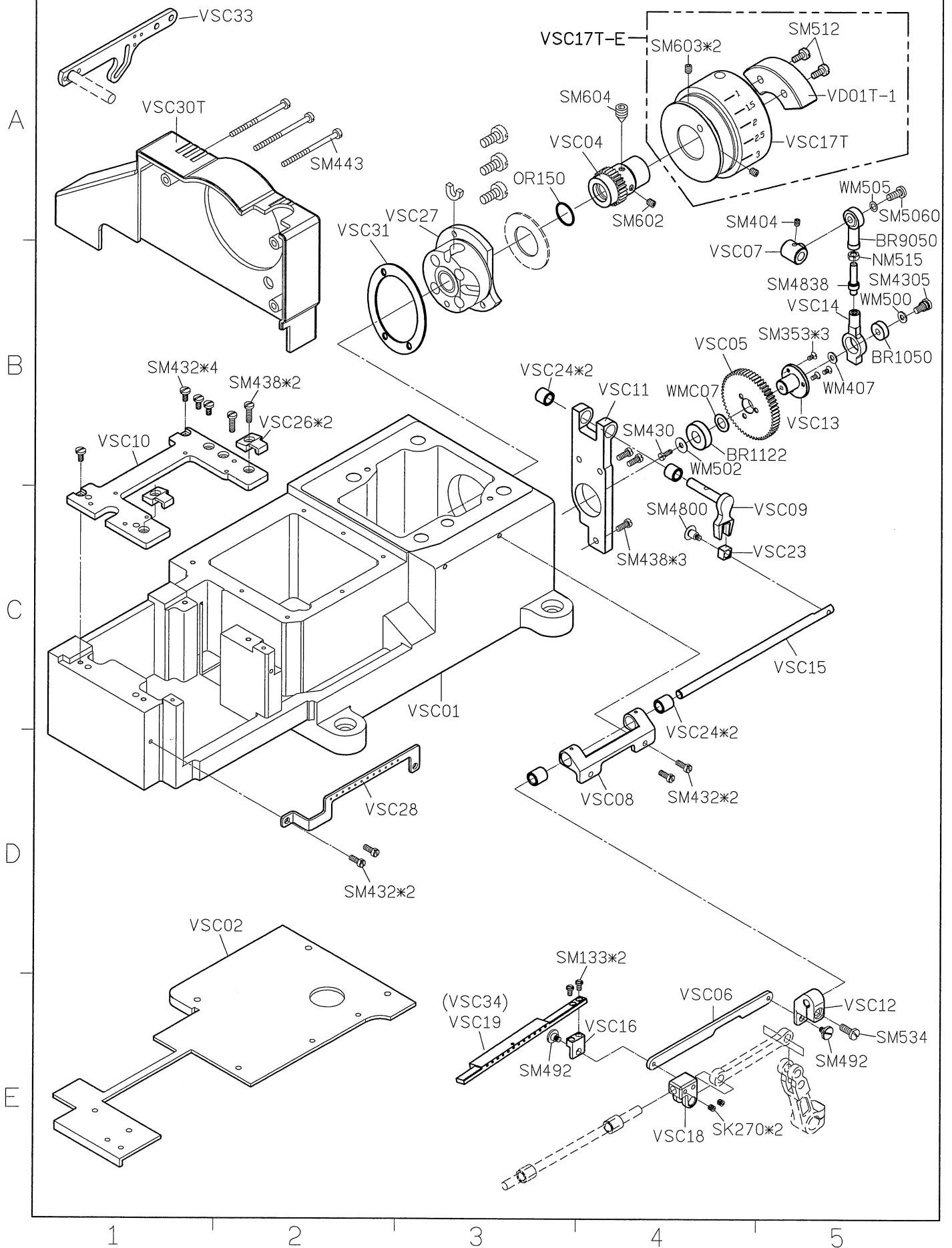


D

D9X12E



E



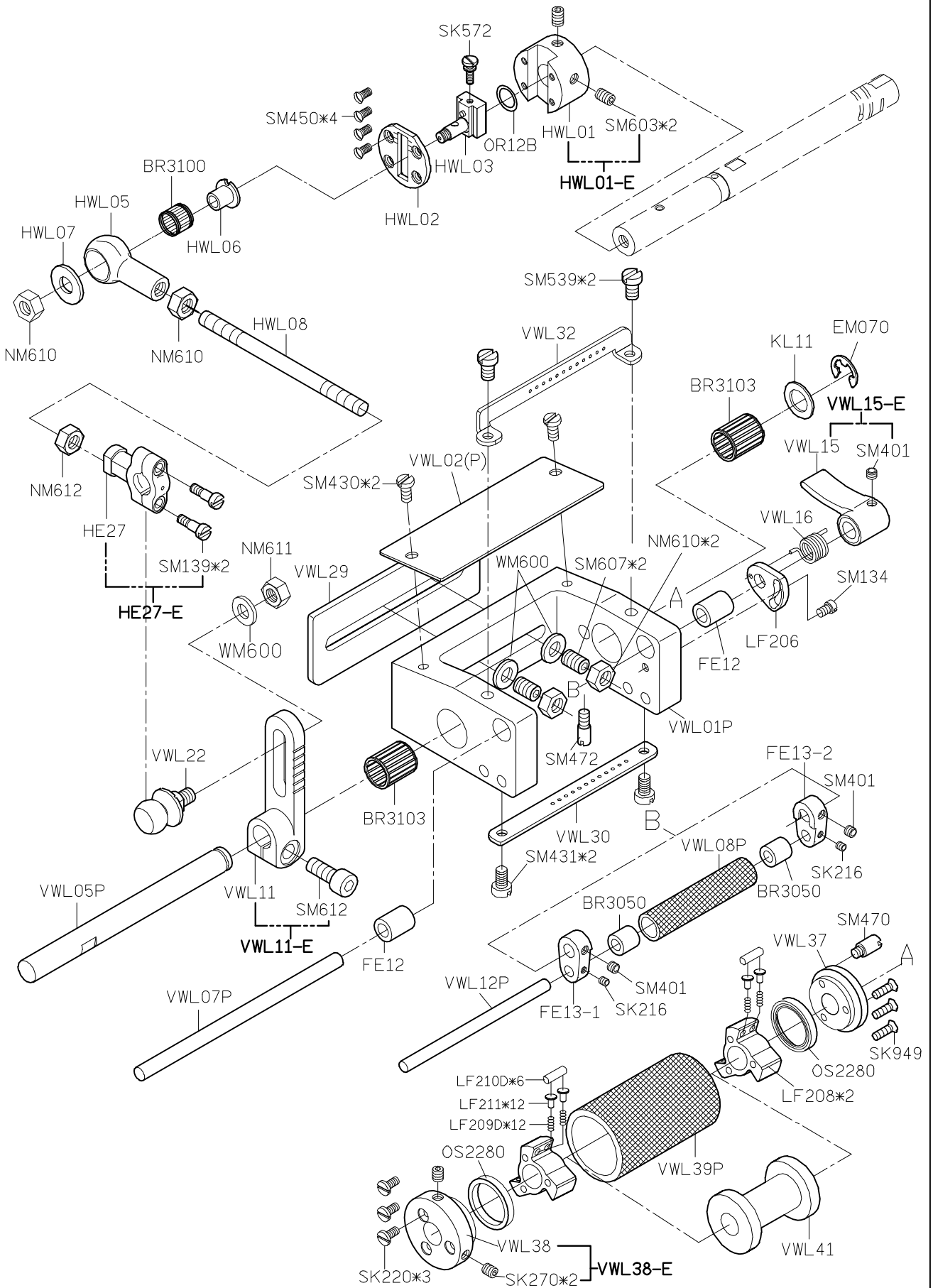
A

B

C

D

E



1

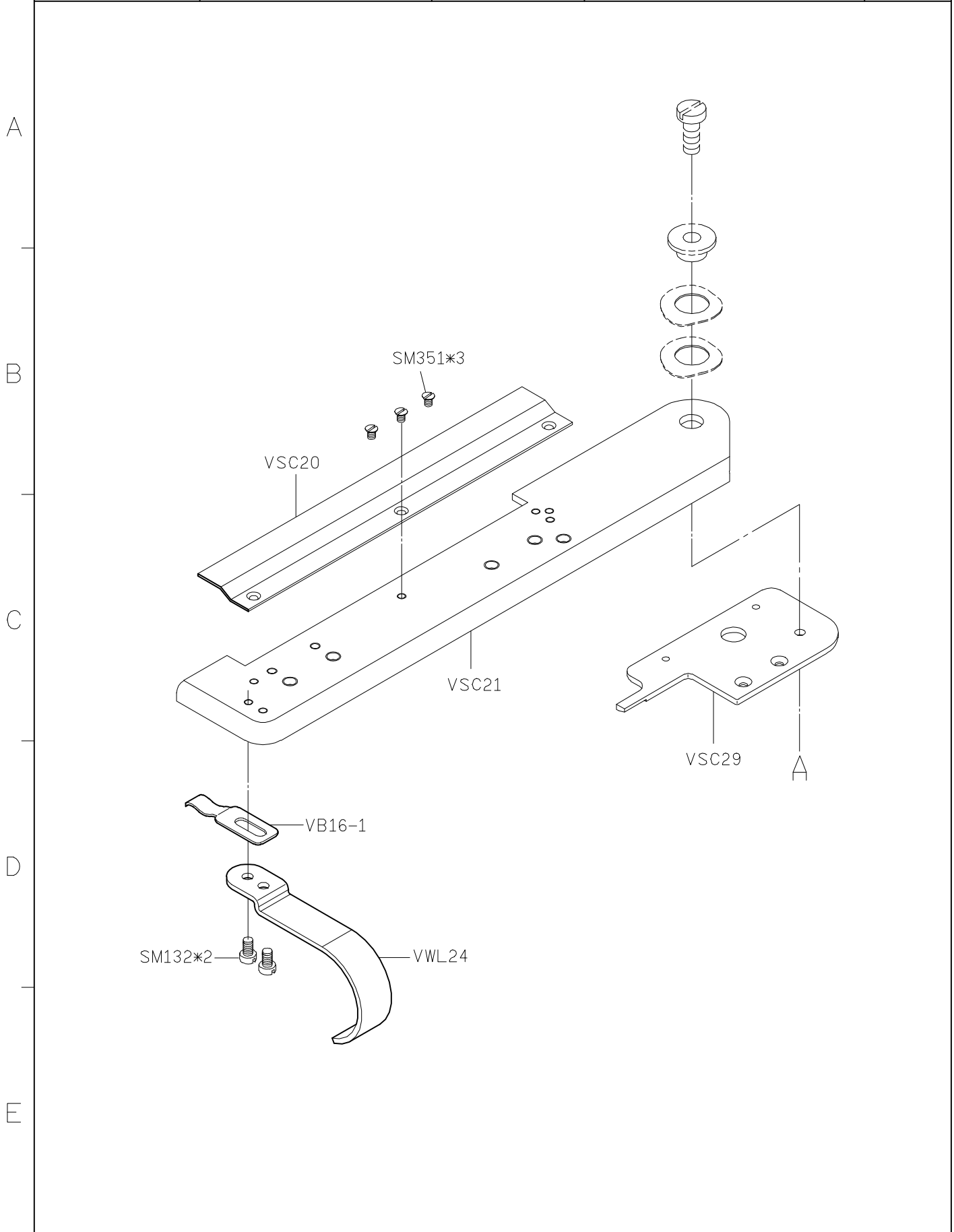
2

3

4

5

SIRUBA PARTS LIST	Series	Parts Group	Subclass / Remark	Page
	VC008	VSC		4/7
				Date
				2014/05/23



SIRUBA PARTS LIST	Series	Parts Group	Subclass / Remark	Page
	VC008	VSC		5/7
				Date
				2012/08/21

OPTION:VZ09C-A(1/2)

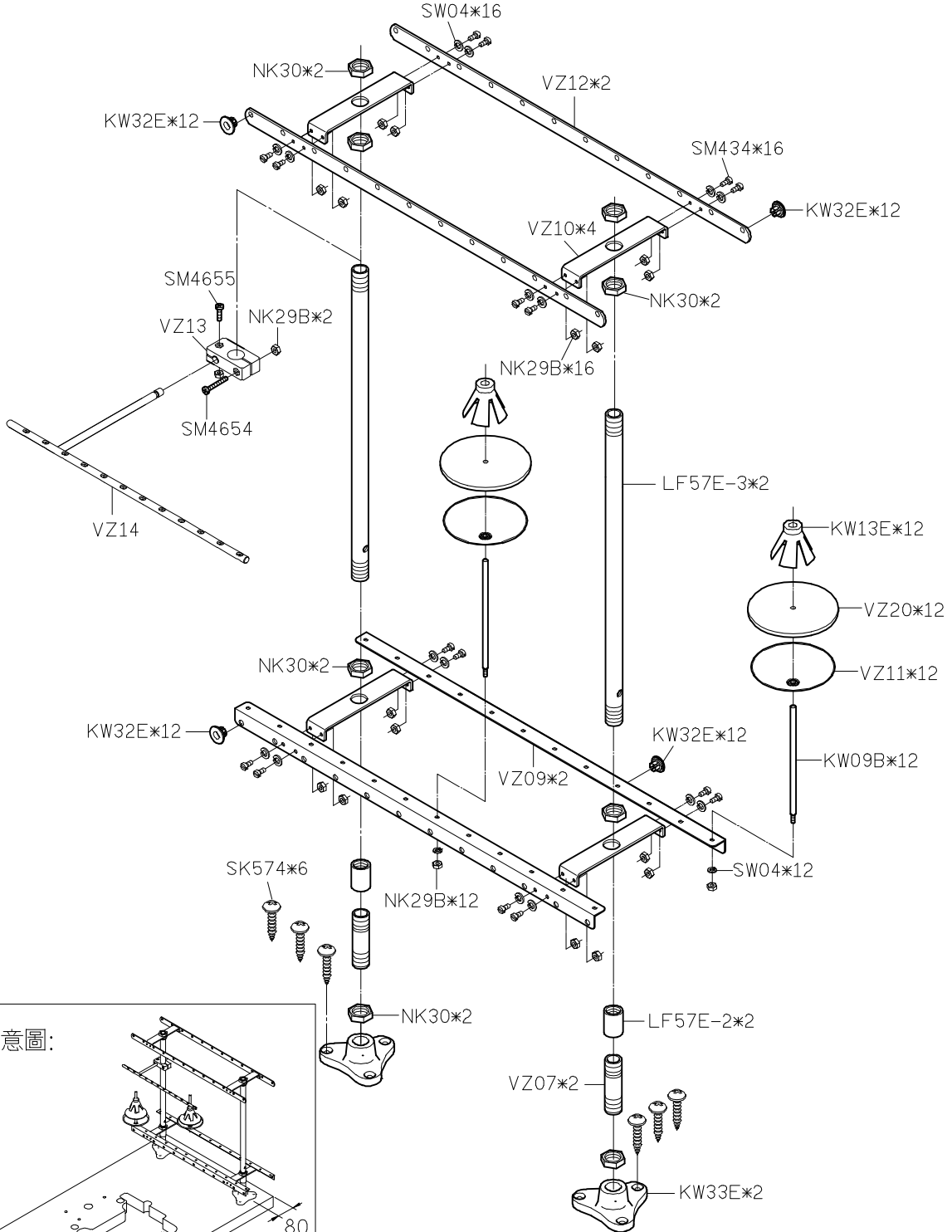
A

B

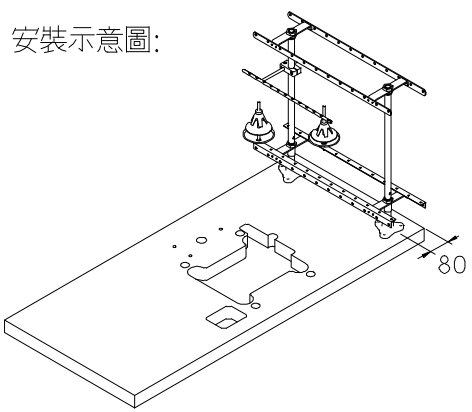
C

D

E



安裝示意圖:



1

2

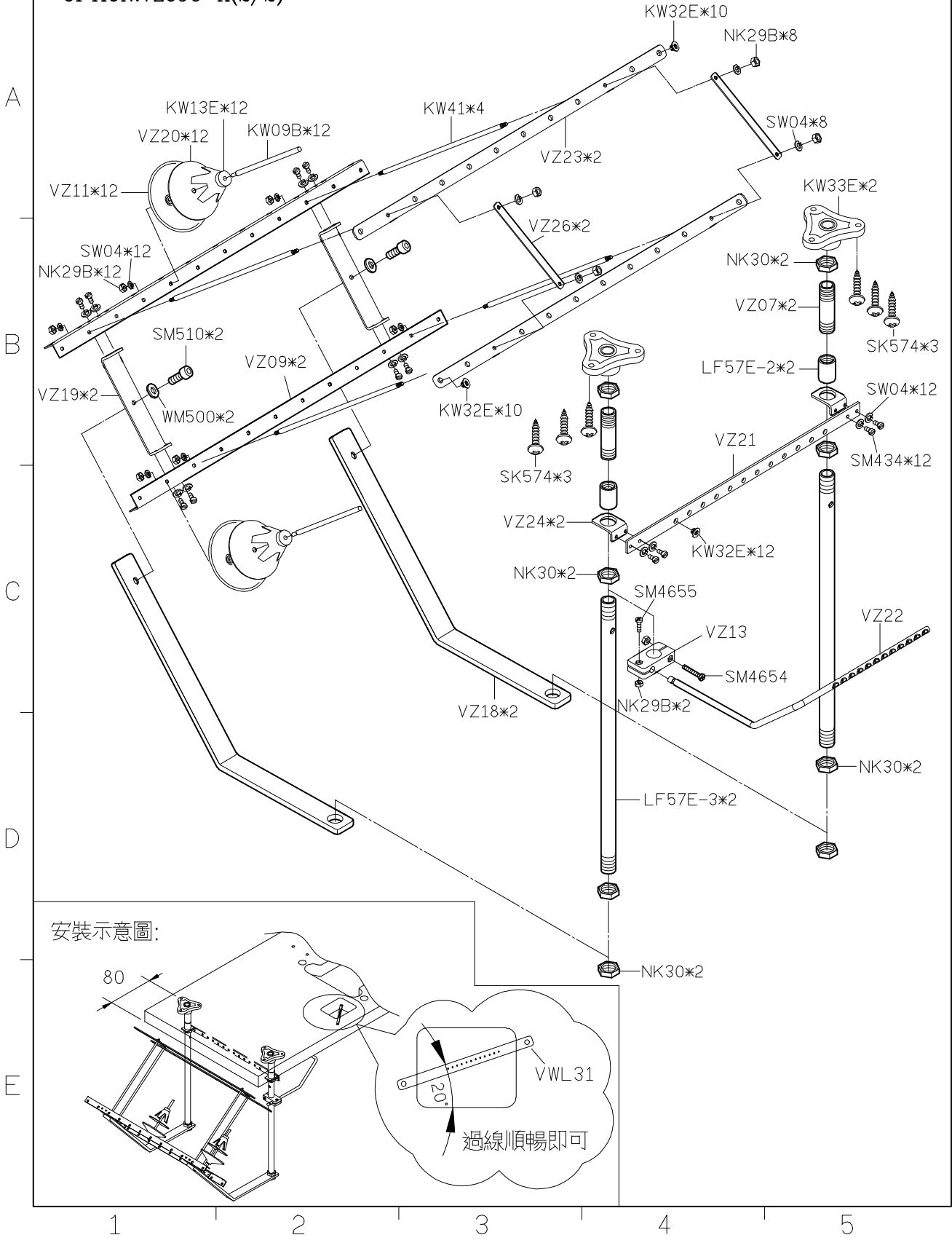
3

4

5

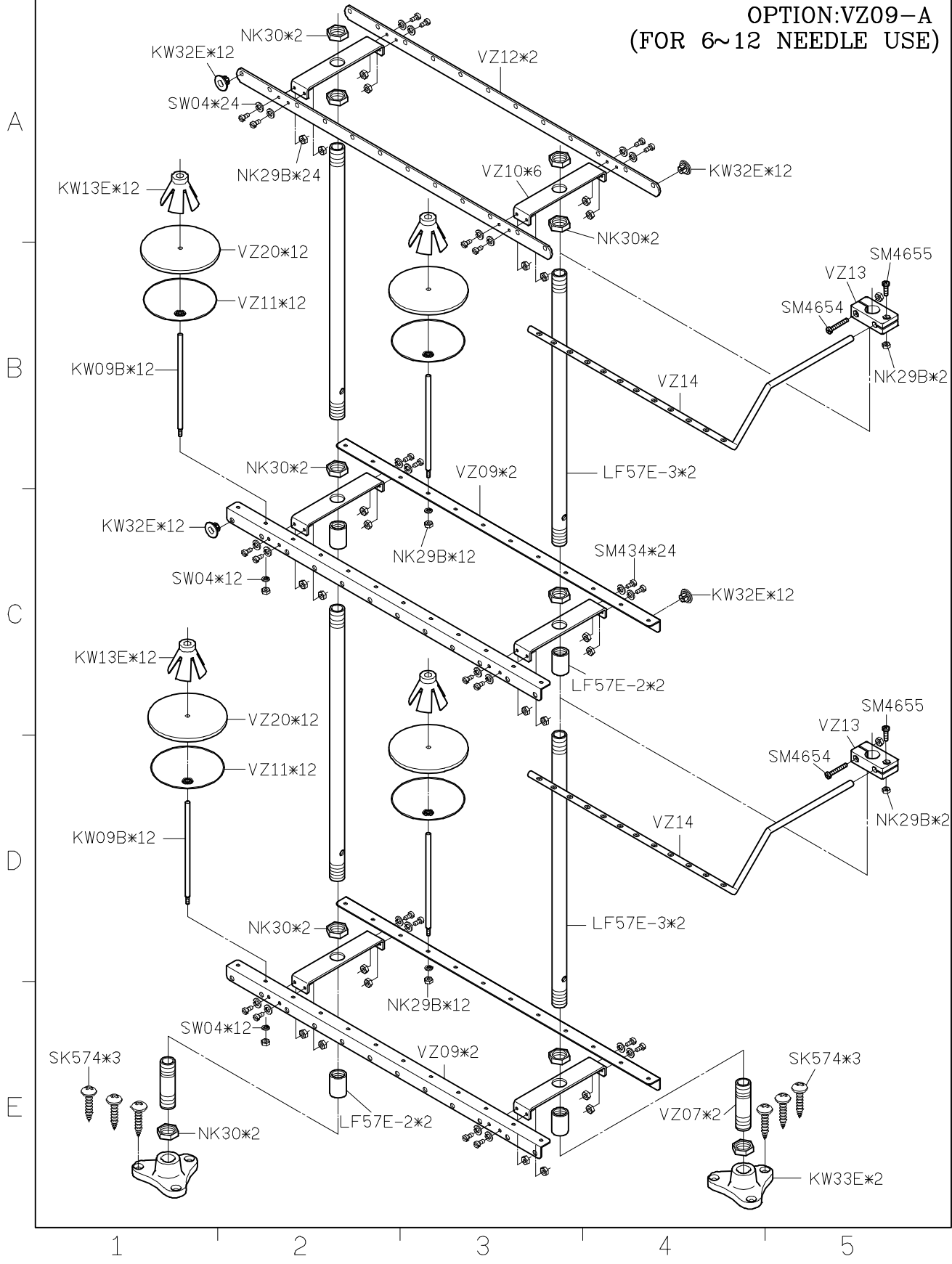
SIRUBA PARTS LIST	Series	Parts Group	Subclass / Remark	Page
	VC008	VSC		6/7
				Date
				2012/08/21

OPTION:VZ09C-A(2/2)



SIRUBA PARTS LIST	Series	Parts Group	Subclass / Remark	Page
	VC008	VSC		7/7
				Date
				2012/08/21

OPTION:VZ09-A
(FOR 6~12 NEEDLE USE)



SIRUBA PARTS LIST	Series		Parts Group	Subclass / Remark	Page
	VC008		VSF		1/1
					Date
					2012/03/21

規格 SVB CLASS 代 號 CODE	產品寬 FINISHED SIZE	入布寬 TAPE SIZE	針 距 NEEDLE HOLDER	機 種 MODEL
B529	13/8"	23/8"	1/4- 3/4- 1/4	0464-191
B529P	11/2"	21/2"	3/16- 1- 3/16	0448-254
B529Q	15/8"	25/8"	1/4- 1- 1/4	0464-254

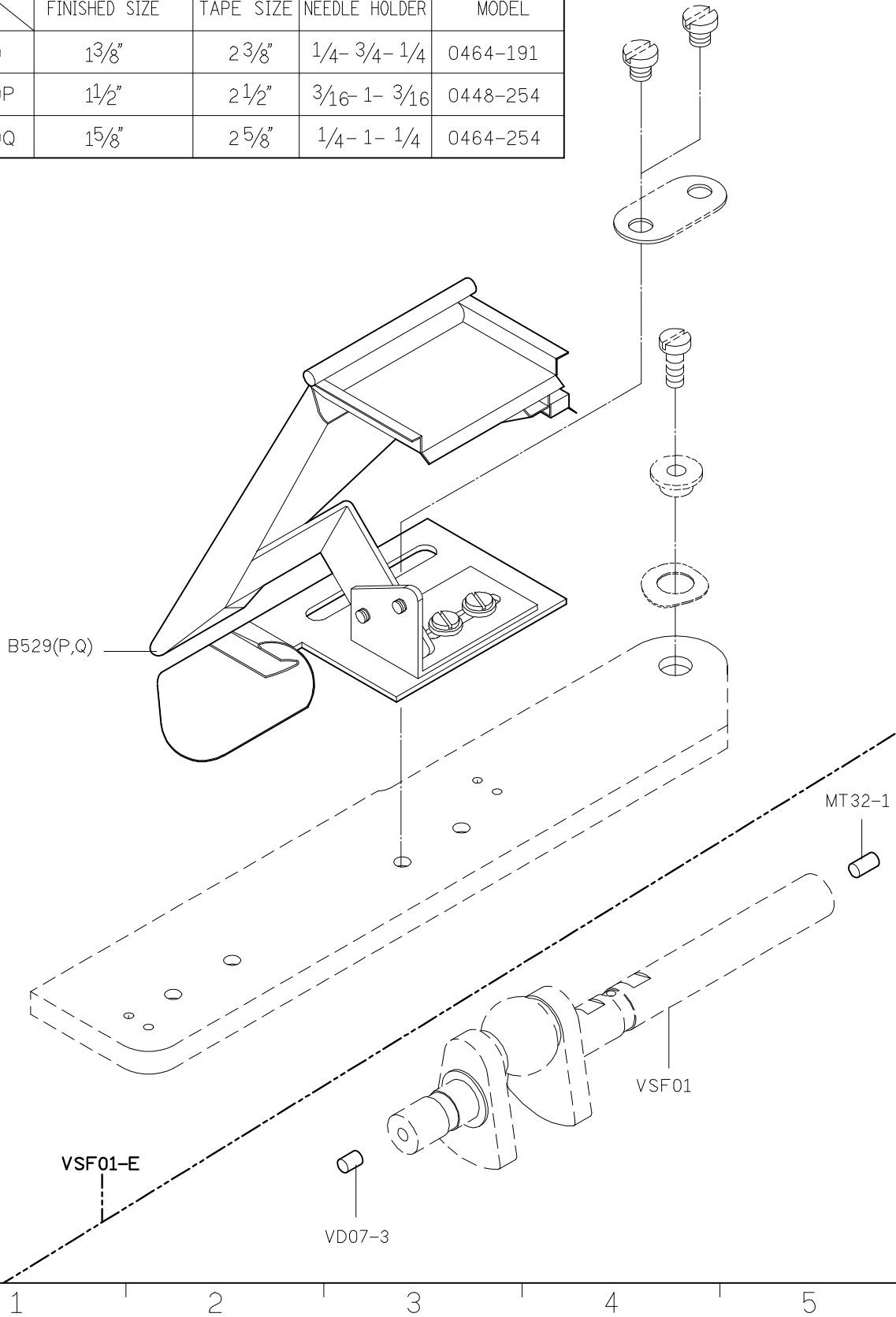
A

B

C

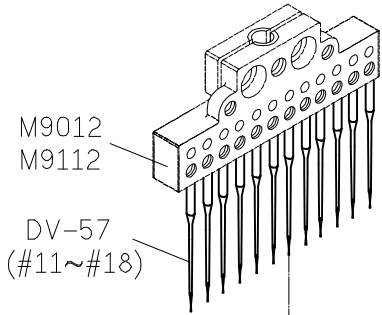
D

E

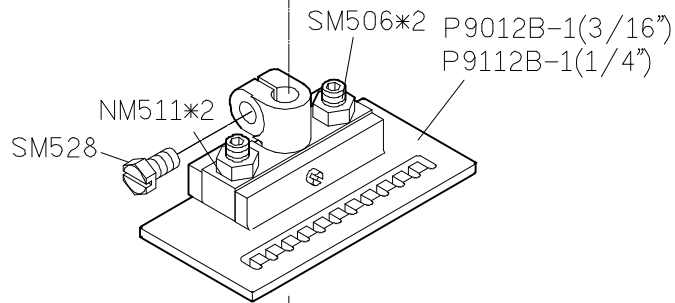


SIRUBA PARTS LIST	Series	Parts Group	Subclass / Remark	Page
	VC008	VSM		1/15
				Date
				2012/08/23

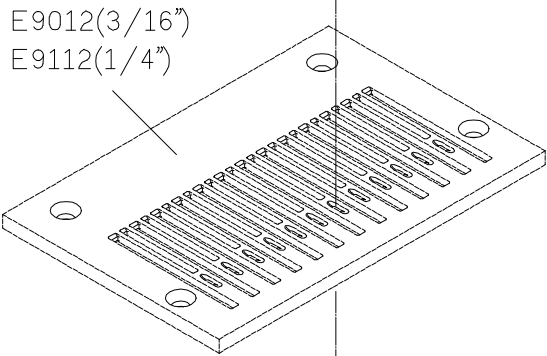
A



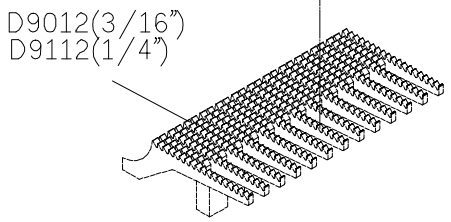
B



C



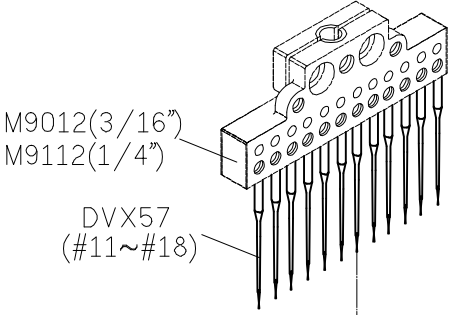
D



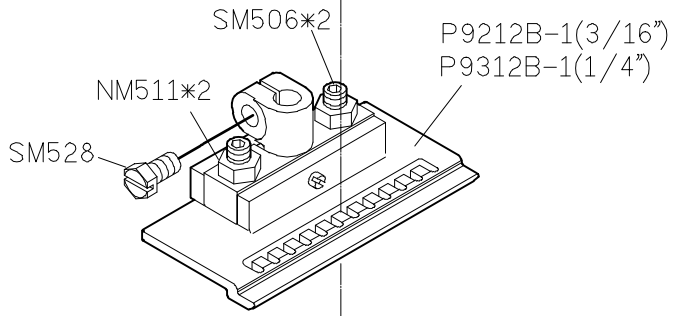
E

SIRUBA PARTS LIST	Series	Parts Group	Subclass / Remark	Page
	VC008	VSSM		2/15
				Date
				2012/08/23

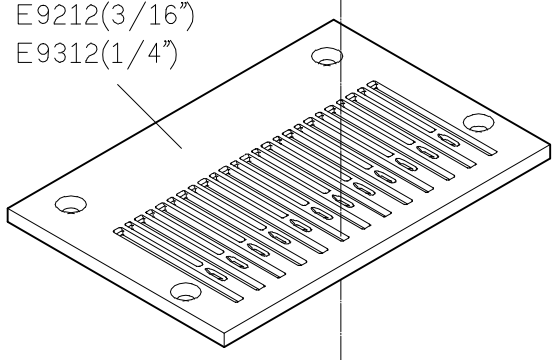
A



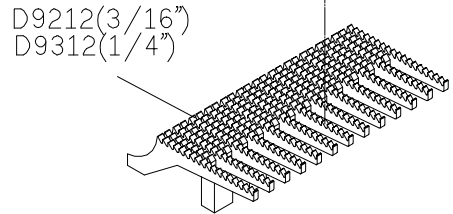
B



C



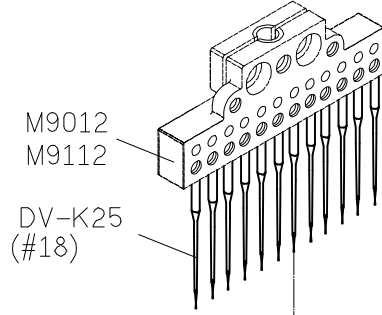
D



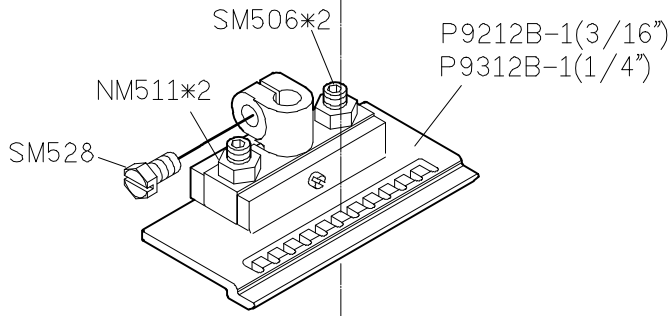
E

SIRUBA PARTS LIST	Series	Parts Group	Subclass / Remark	Page
	VC008	VSQ		3/15
				Date
				2012/08/23

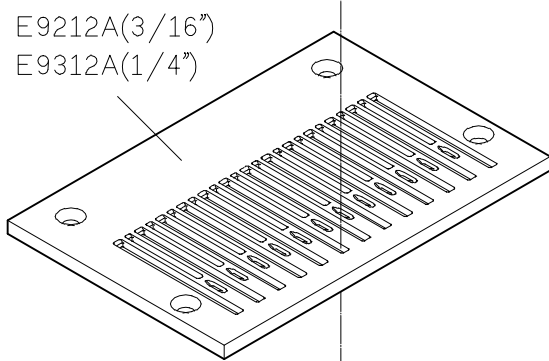
A



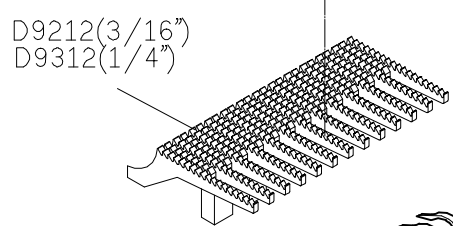
B



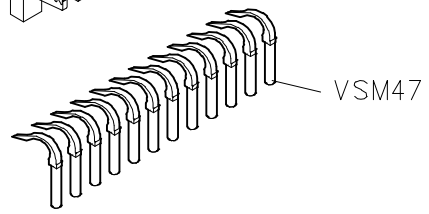
C



D

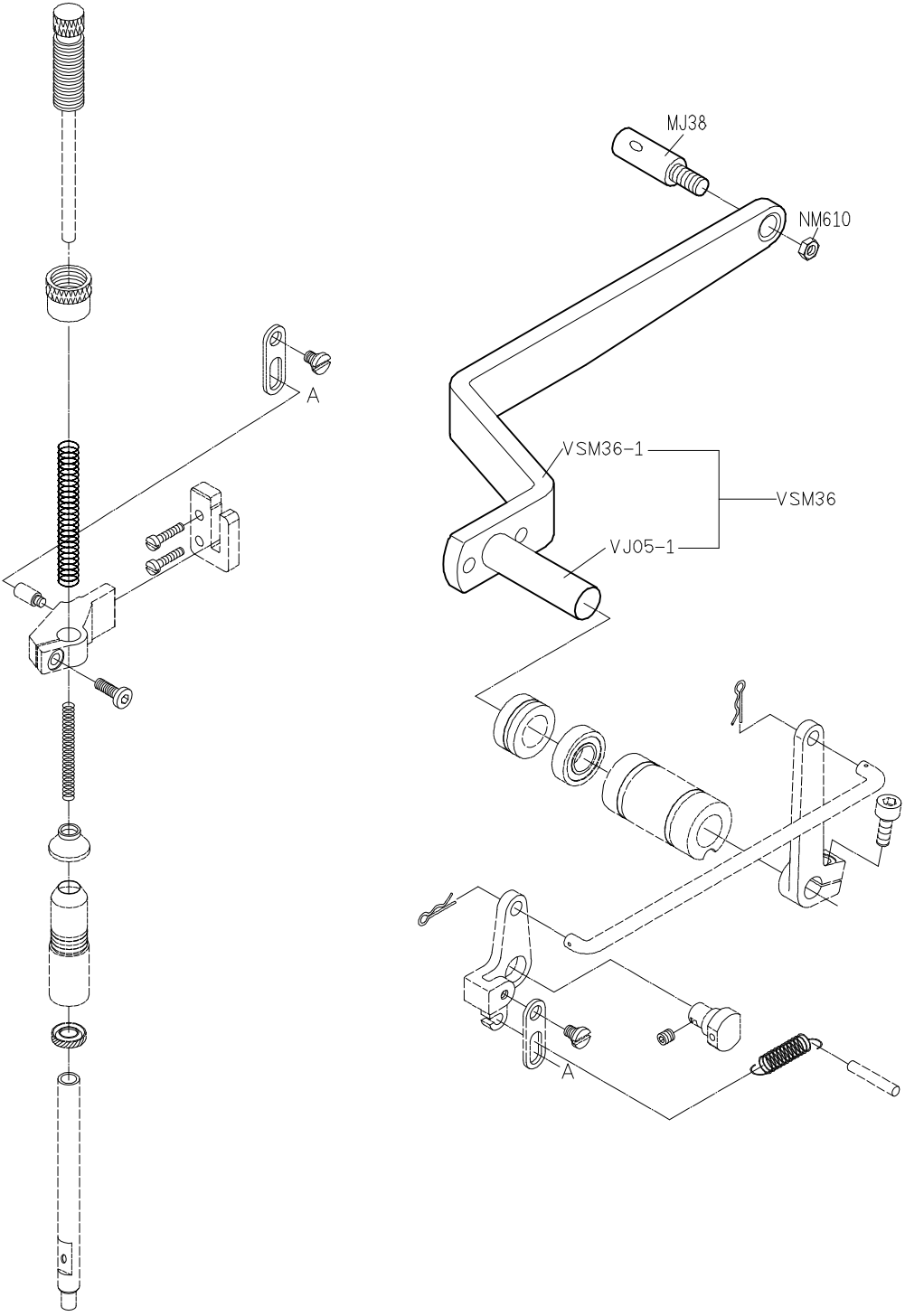


E



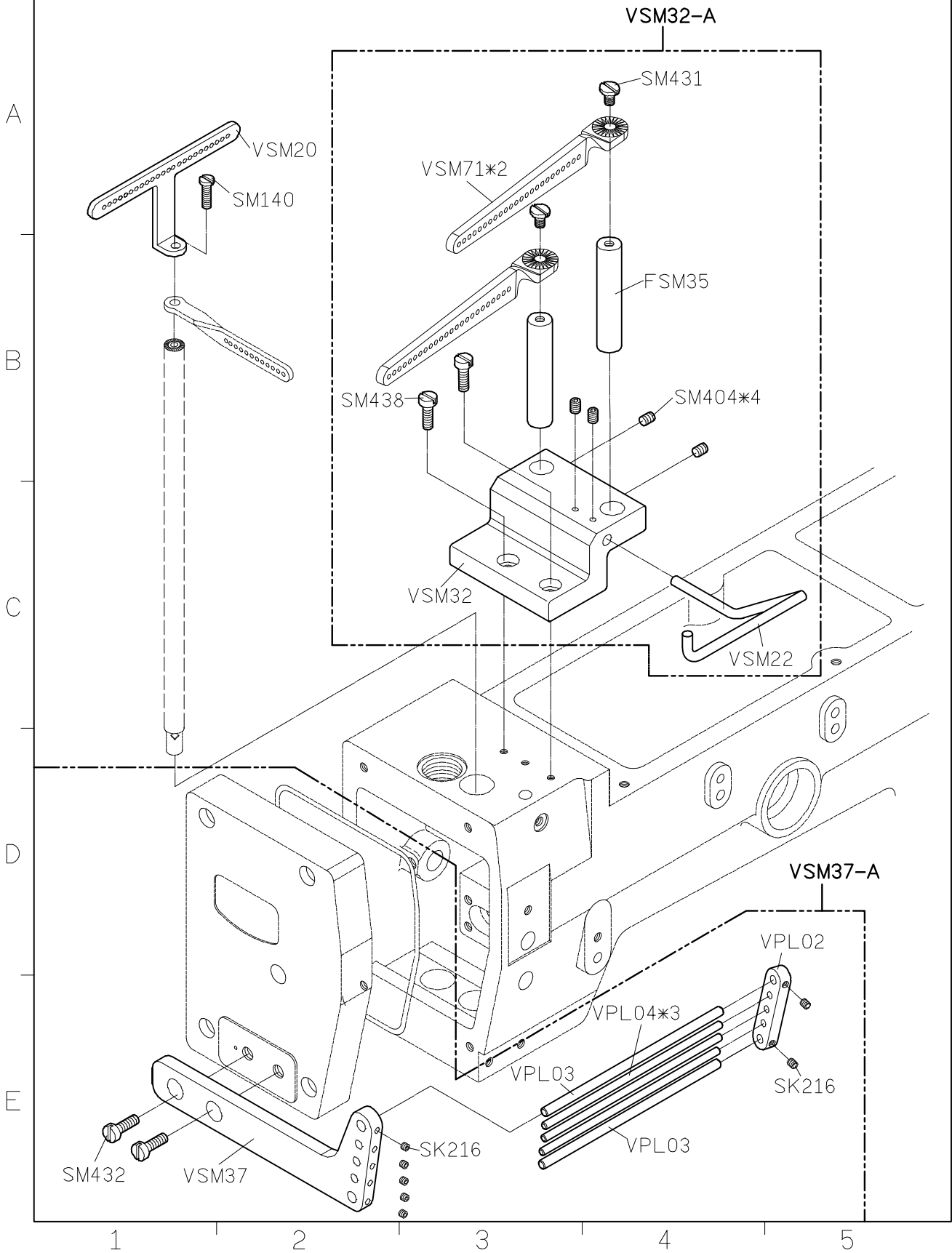
SIRUBA PARTS LIST	Series	Parts Group	Subclass / Remark	Page
	VC008	VSM/VSSM VSQ		4/15
				Date
				2012/08/23

A
B
C
D
E

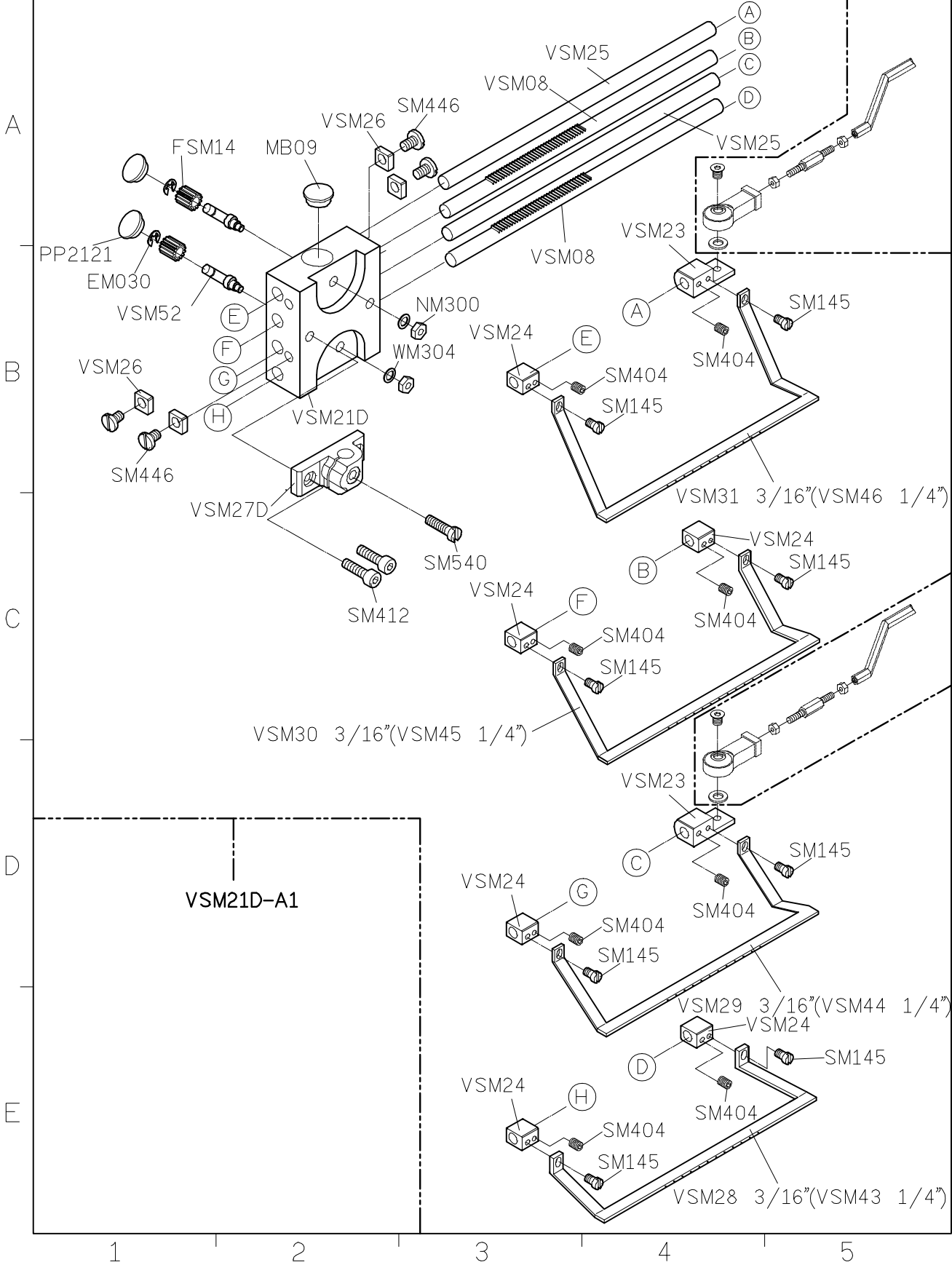


1 2 3 4 5

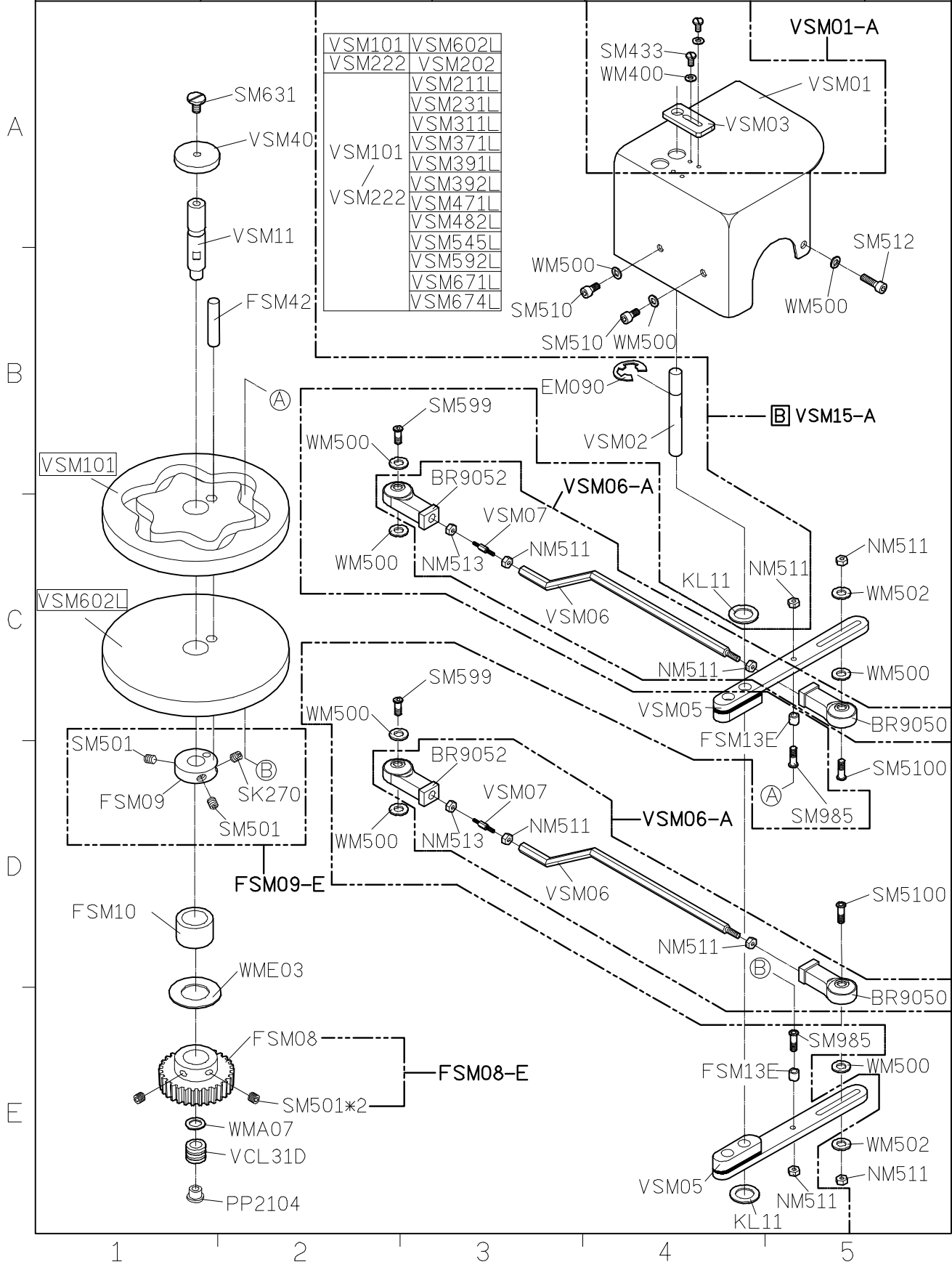
SIRUBA PARTS LIST	Series	Parts Group	Subclass / Remark	Page
	VC008	VSM/VSSM VSQ		5/15
				Date
				2012/08/23



SIRUBA PARTS LIST	Series	Parts Group	Subclass / Remark	Page
	VC008	VSM/VSSM VSQ		6/15
				Date
				2012/09/23

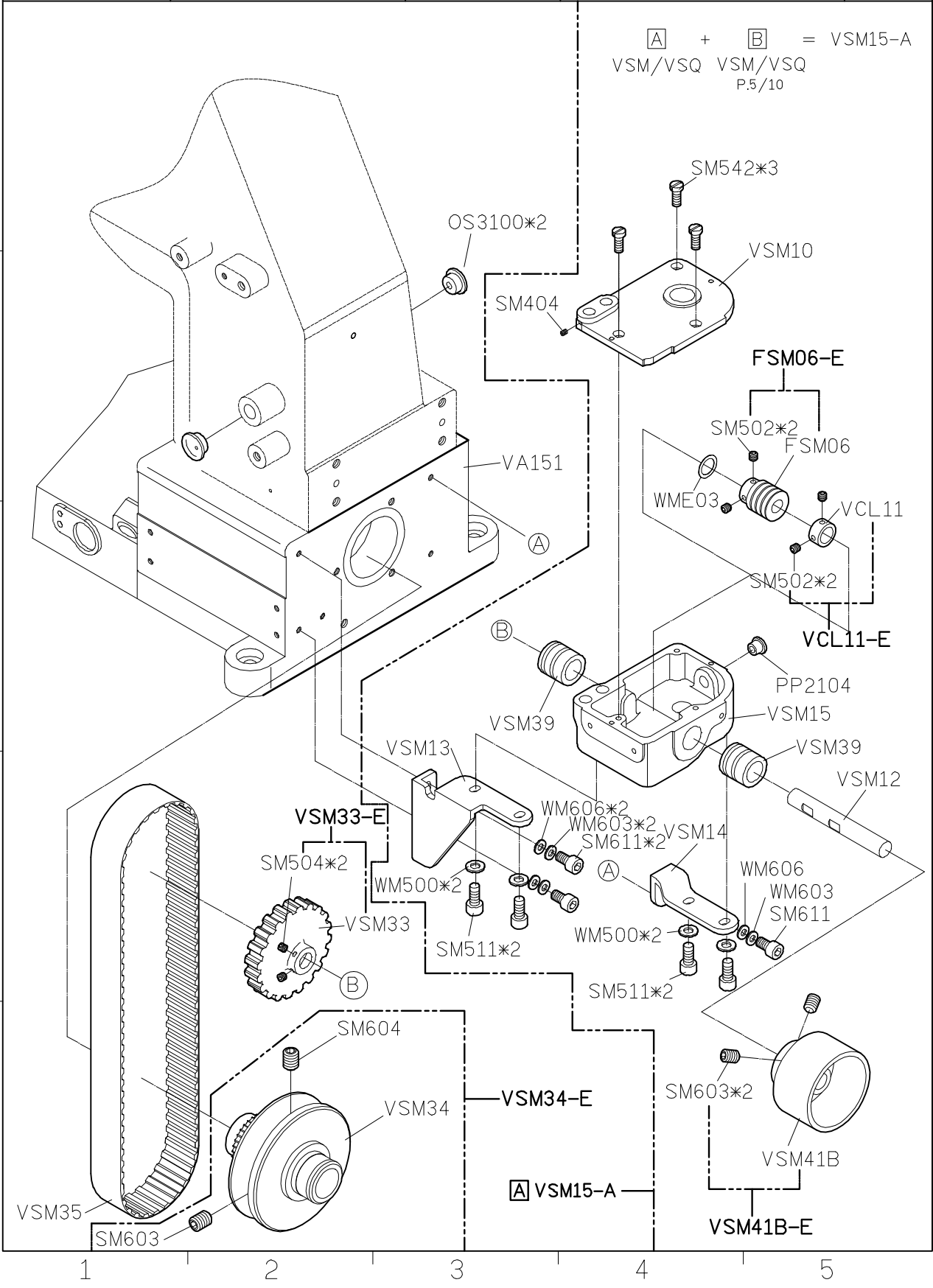


VSM101	VSM602L
VSM222	VSM202
VSM101 / VSM222	VSM211L
	VSM231L
	VSM311L
	VSM371L
	VSM391L
	VSM392L
	VSM471L
	VSM482L
	VSM545L
	VSM592L
VSM671L	
VSM674L	

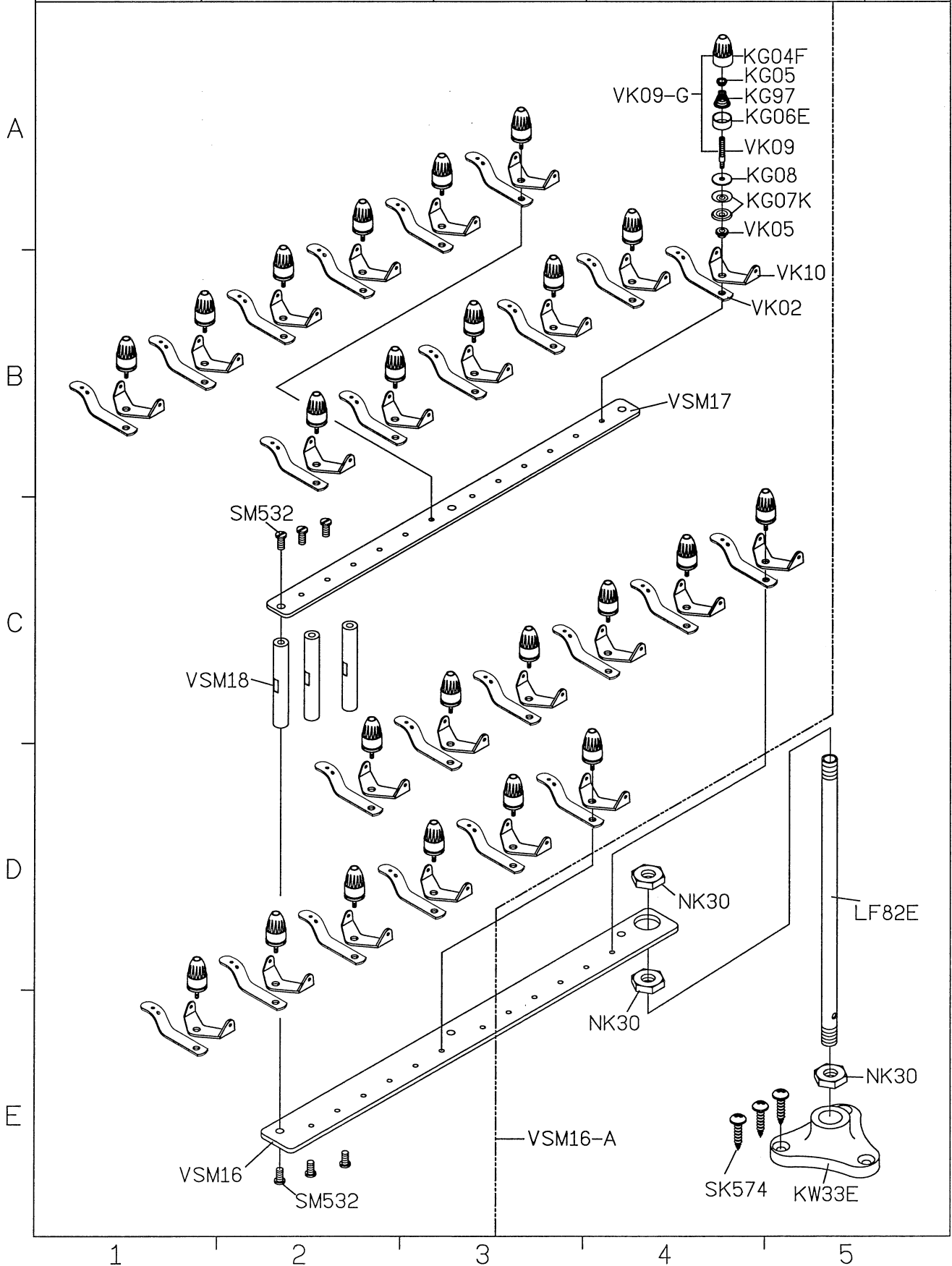


SIRUBA PARTS LIST	Series	Parts Group	Subclass / Remark	Page
	VC008	VSM/VSSM VSQ		8/15
				Date
				2012/08/23

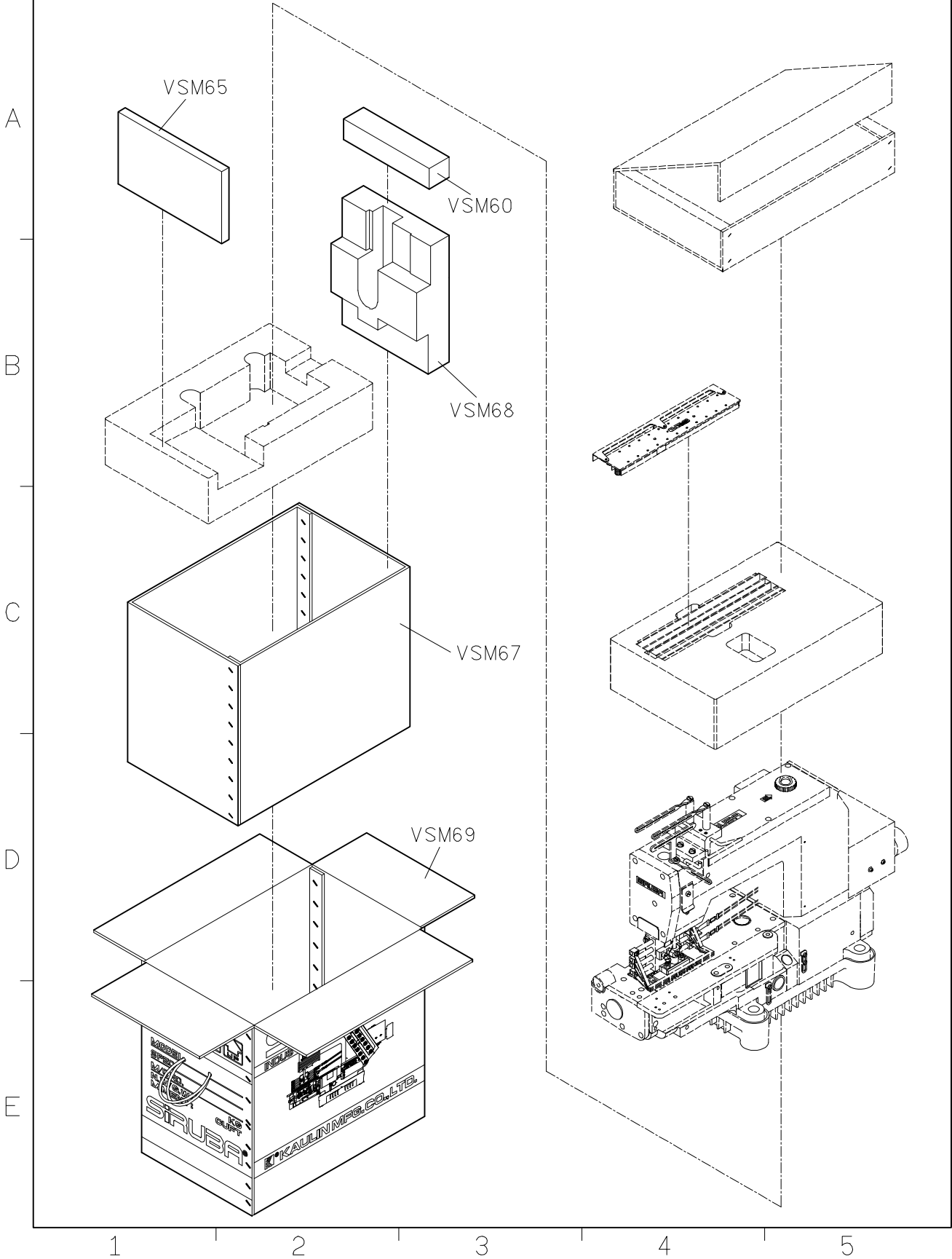
A
B
C
D
E
1
2
3
4
5



SIRUBA PARTS LIST	Series	Parts Group	Subclass / Remark	Page
	VC008	VSM/VSSM VSQ		9/15
				Date
				2015/08/05

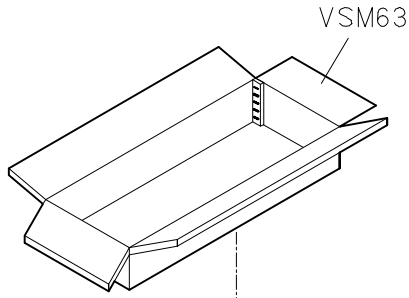


SIRUBA PARTS LIST	Series	Parts Group	Subclass / Remark	Page
	VC008	VSM/VSSM		10/15
		VSQ		Date
				2012/08/23

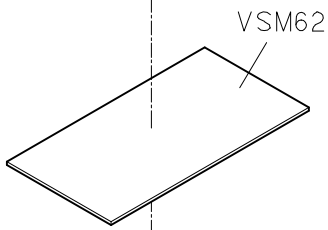


SIRUBA PARTS LIST	Series	Parts Group	Subclass / Remark	Page
	VC008	VSM/VSSM VSQ		11/15
				Date
				2012/08/23

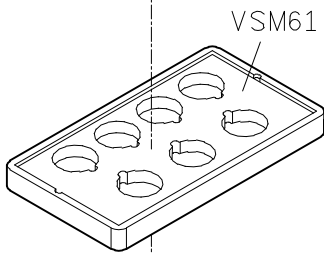
A



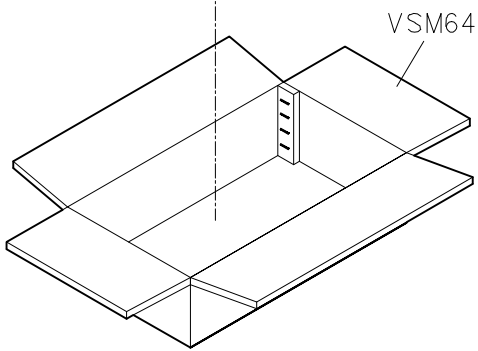
B



C



D



E

1

2

3

4

5

SIRUBA PARTS LIST	Series	Parts Group	Subclass / Remark	Page
	VC008	VSM/VSSM VSQ		12/15
				Date
				2012/08/23

OPTION:VSM38-A

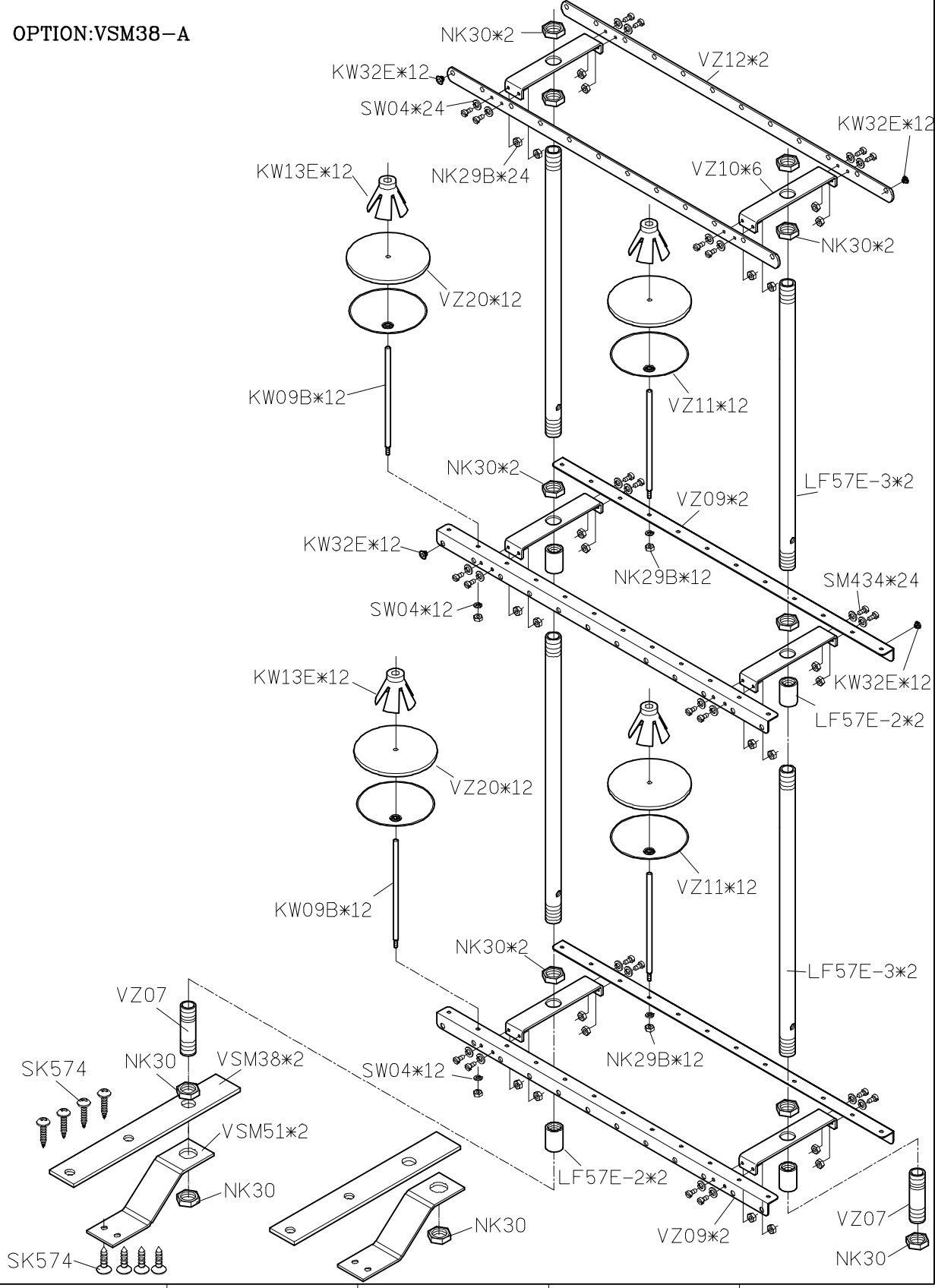
A

B

C

D

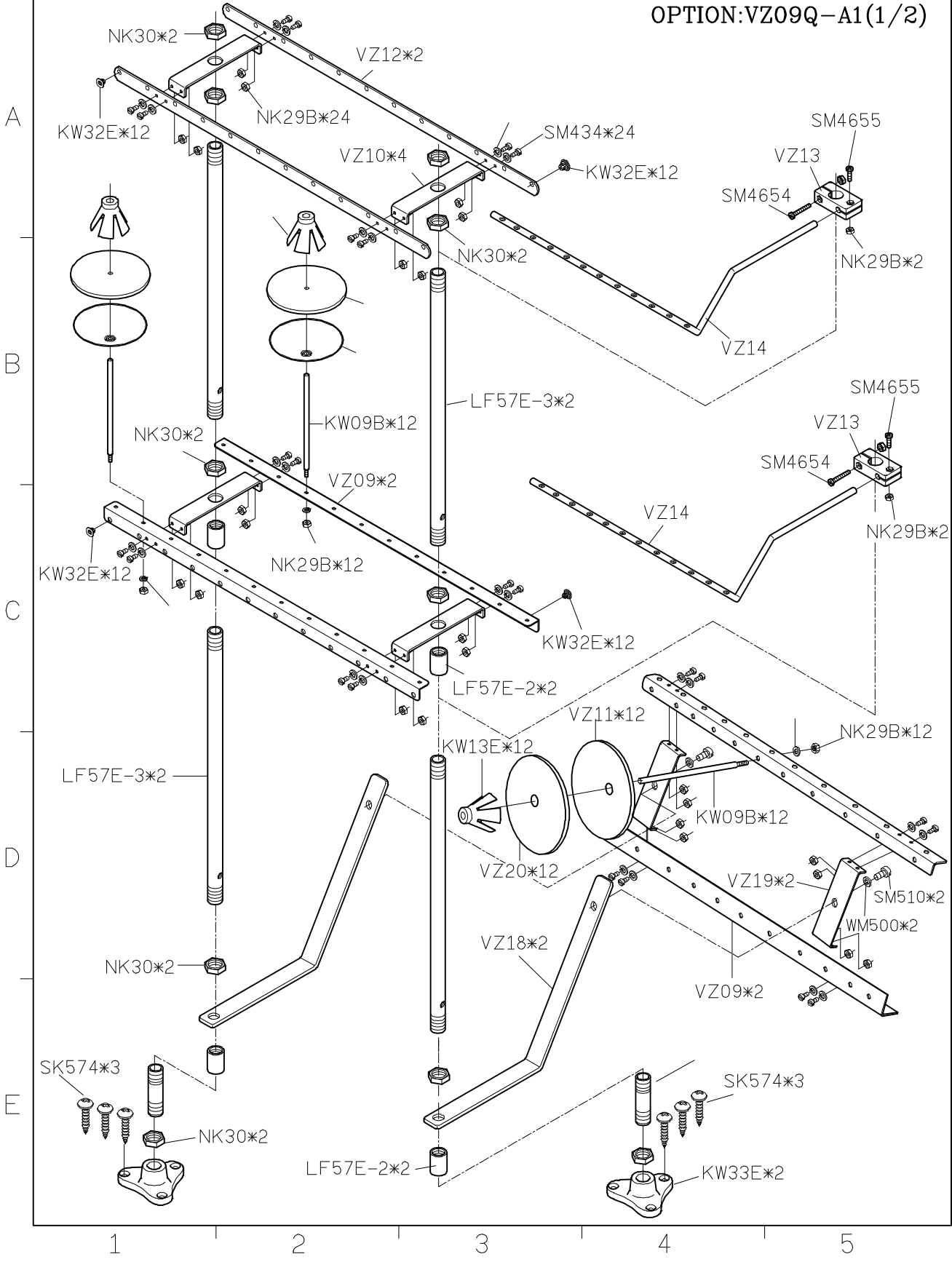
E



- 1
- 2
- 3
- 4
- 5

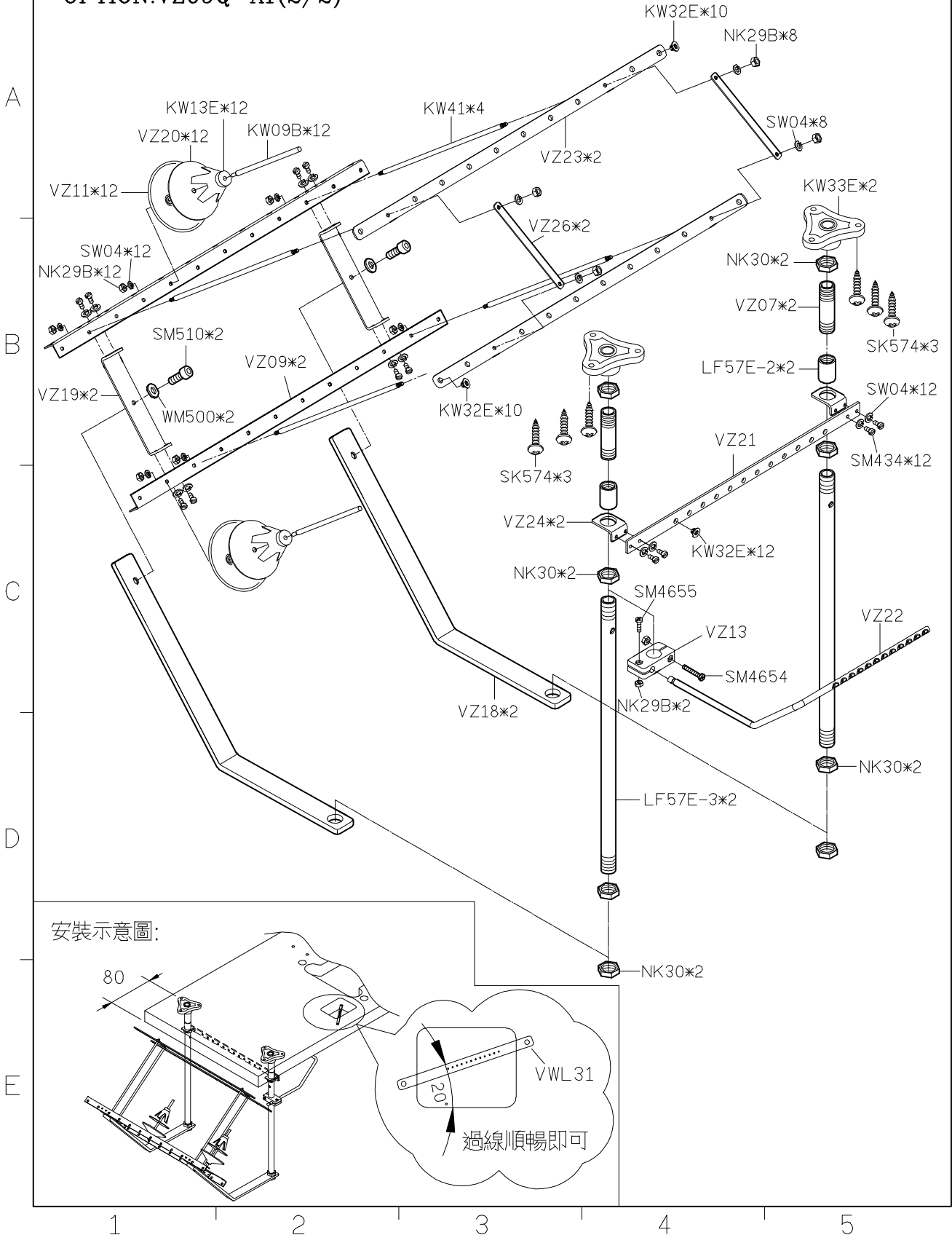
SIRUBA PARTS LIST	Series	Parts Group	Subclass / Remark	Page
	VC008	VSSM		13/15
				Date
				2012/11/15

OPTION:VZ09Q-A1(1/2)



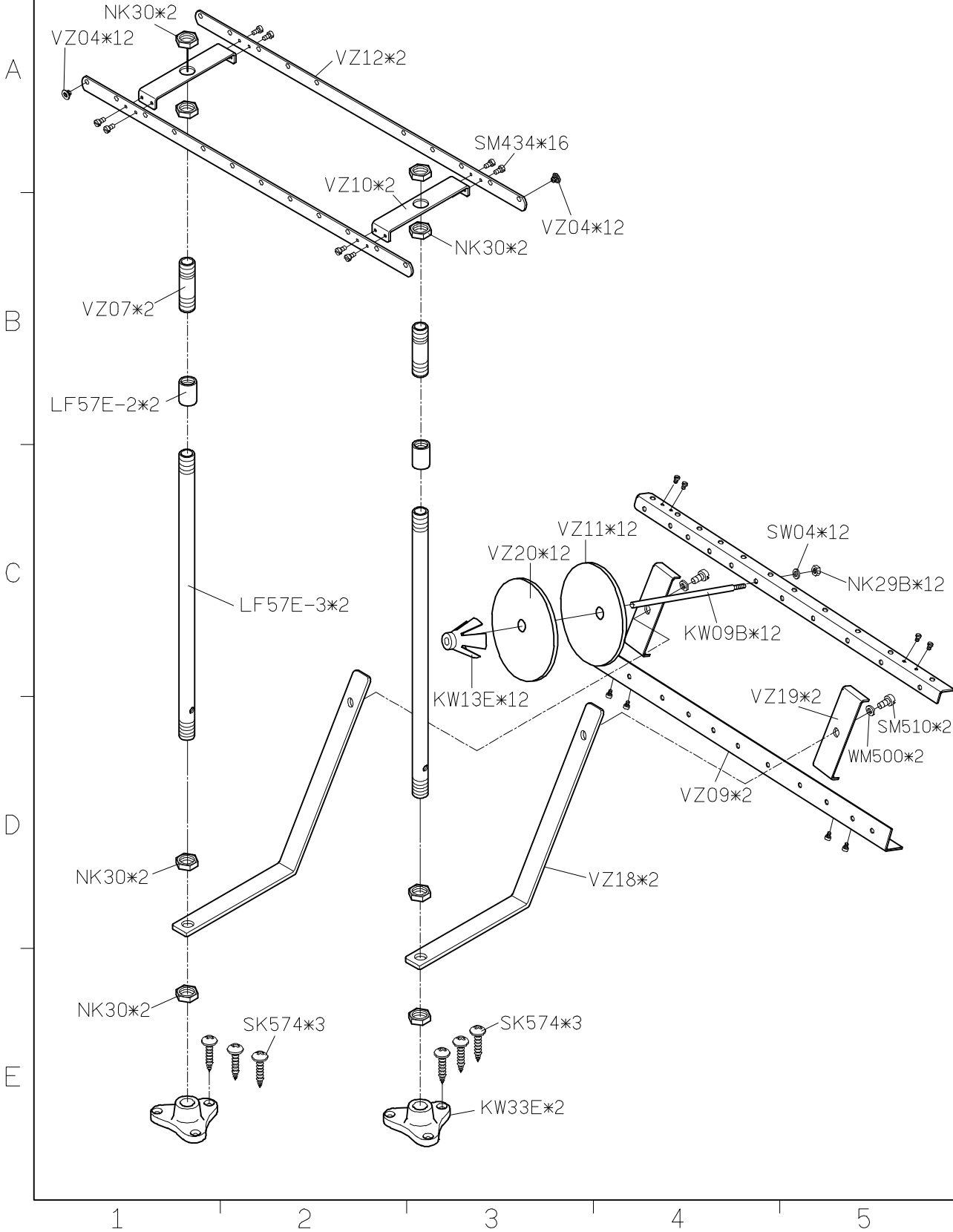
SIRUBA PARTS LIST	Series	Parts Group	Subclass / Remark	Page
	VC008	VSSM		14/15
				Date
				2012/11/15

OPTION:VZ09Q-A1(2/2)



SIRUBA PARTS LIST	Series	Parts Group	Subclass / Remark	Page
	VC008	VSQ		15/15
				Date
				2012/08/23

OPTION:VZ09-A2



SIRUBA PARTS LIST	Series	Parts Group	Subclass / Remark	Page
	VC008	VUT		1/7
				Date
				2012/11/13

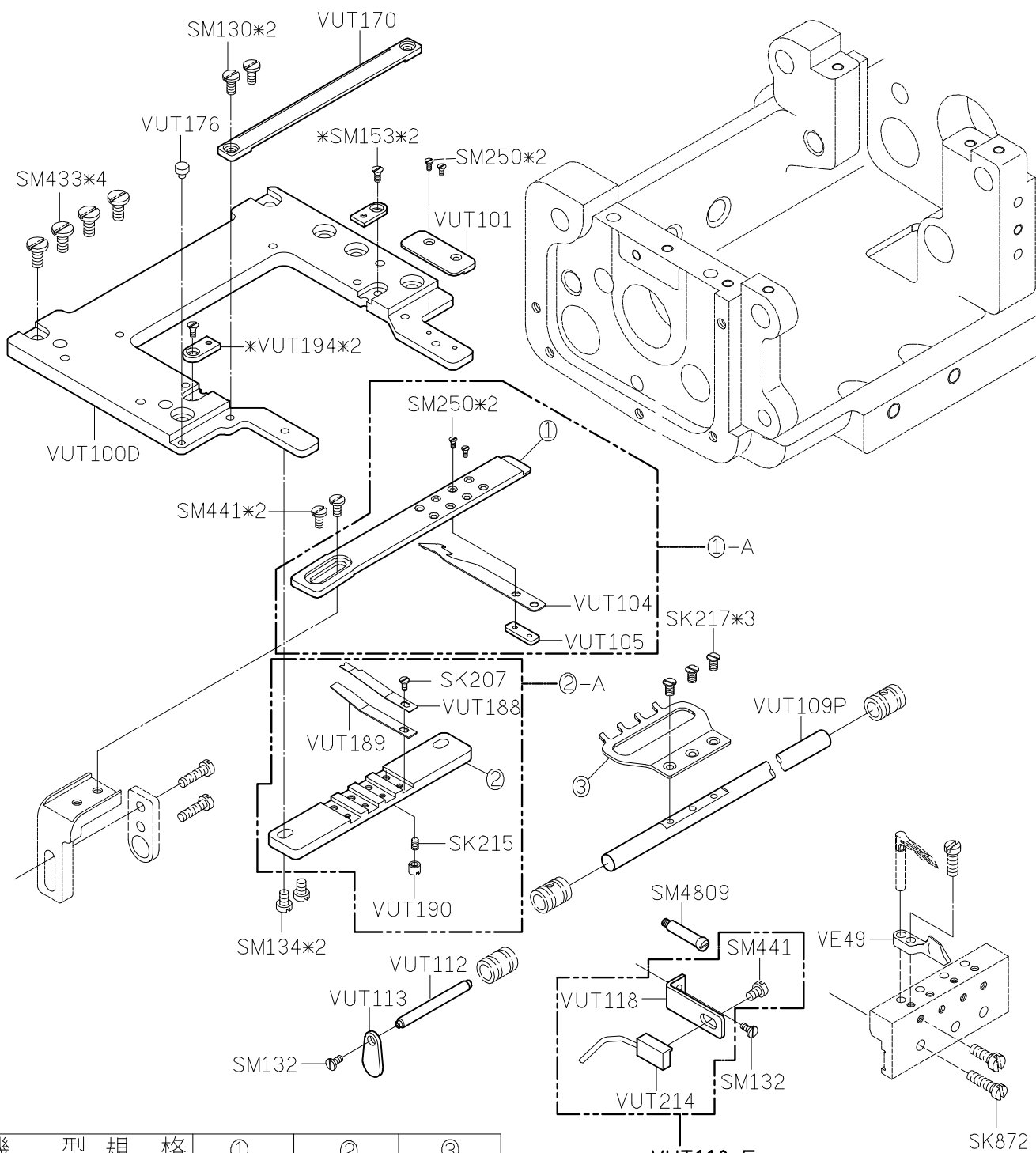
A

B

C

D

E



機 型 規 格		①	②	③
VC008-04	064	VUT184P	VUT187P	VUT108P
	085	VUT184Q	VUT187Q	VUT108Q
	095	VUT184R	VUT187R	VUT108R
	106	VUT184S	VUT187S	VUT108S
	127	VUT184T	VUT187T	VUT108T
VC008-06	064	VUT184V	VUT187V	VUT108V
VC008-08	064	VUT211	VUT212	VUT210
VC008-12	050	VUT184U	VUT187U	VUT108U

1

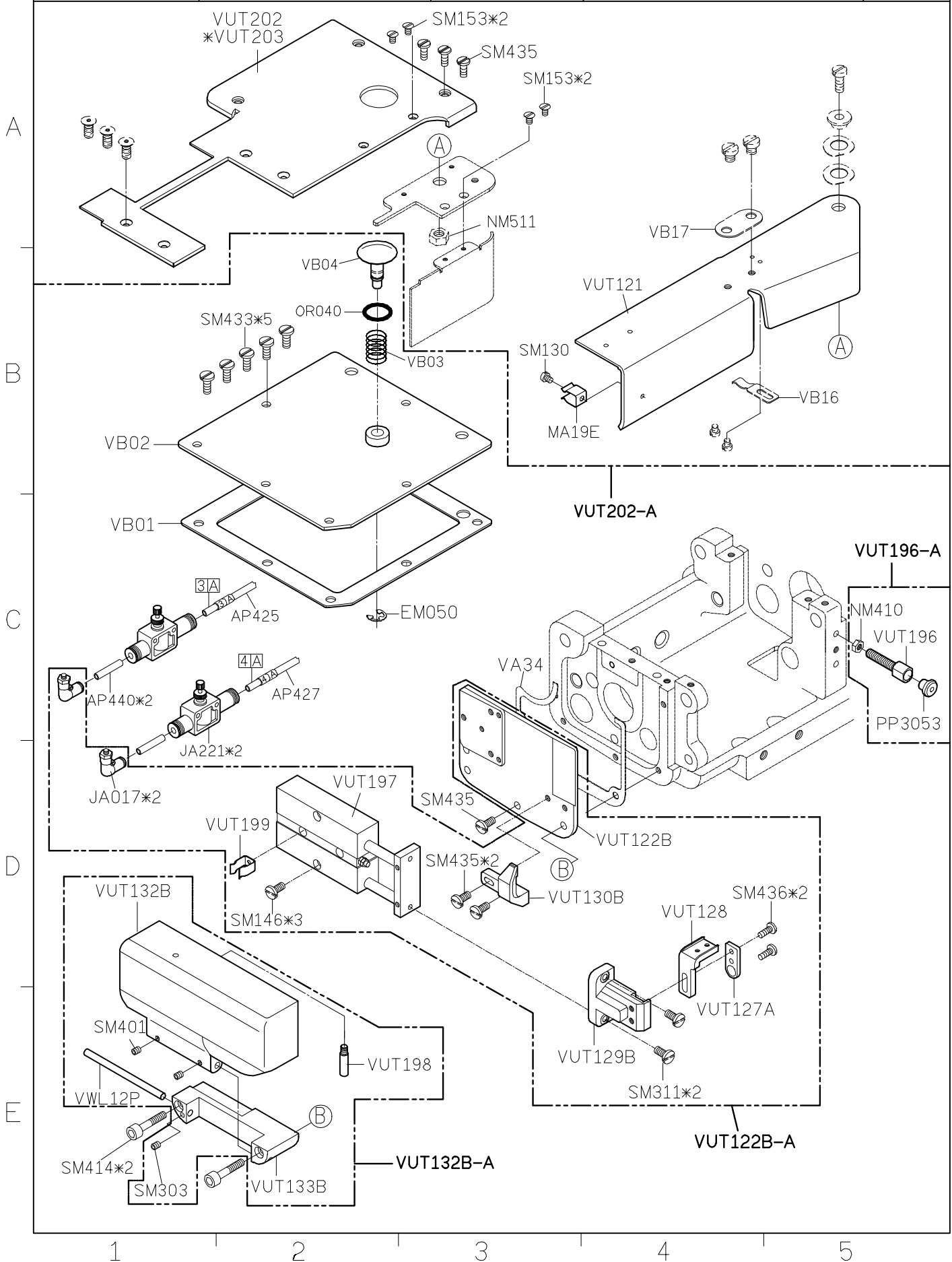
2

3

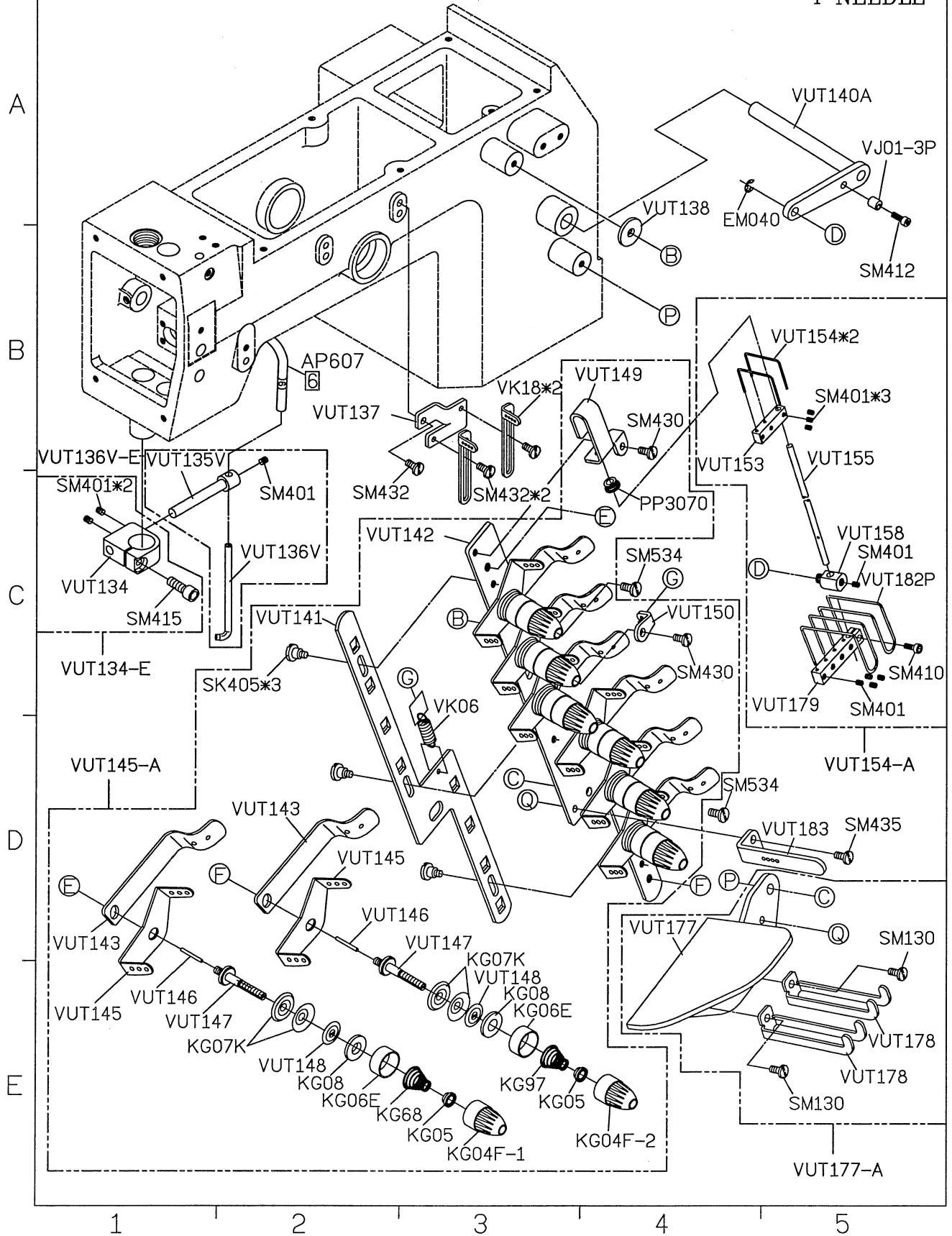
4

5

SIRUBA PARTS LIST	Series	Parts Group	Subclass / Remark	Page
	VC008	VUT		2/7
				Date
				2012/08/21



4 NEEDLE



SIRUBA

PARTS LIST

Series

VC008

Parts Group

VUT

Subclass / Remark

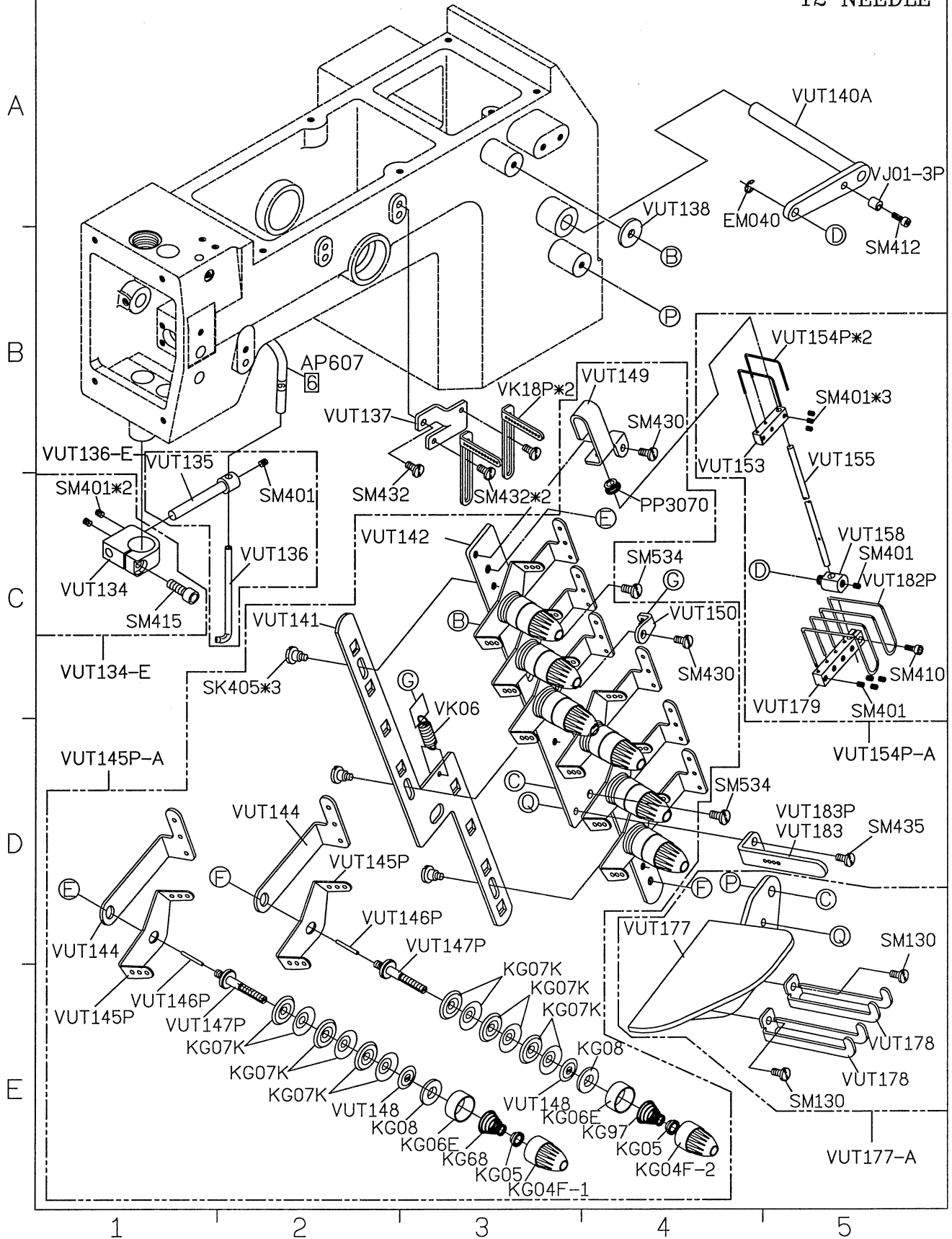
Page

4/7

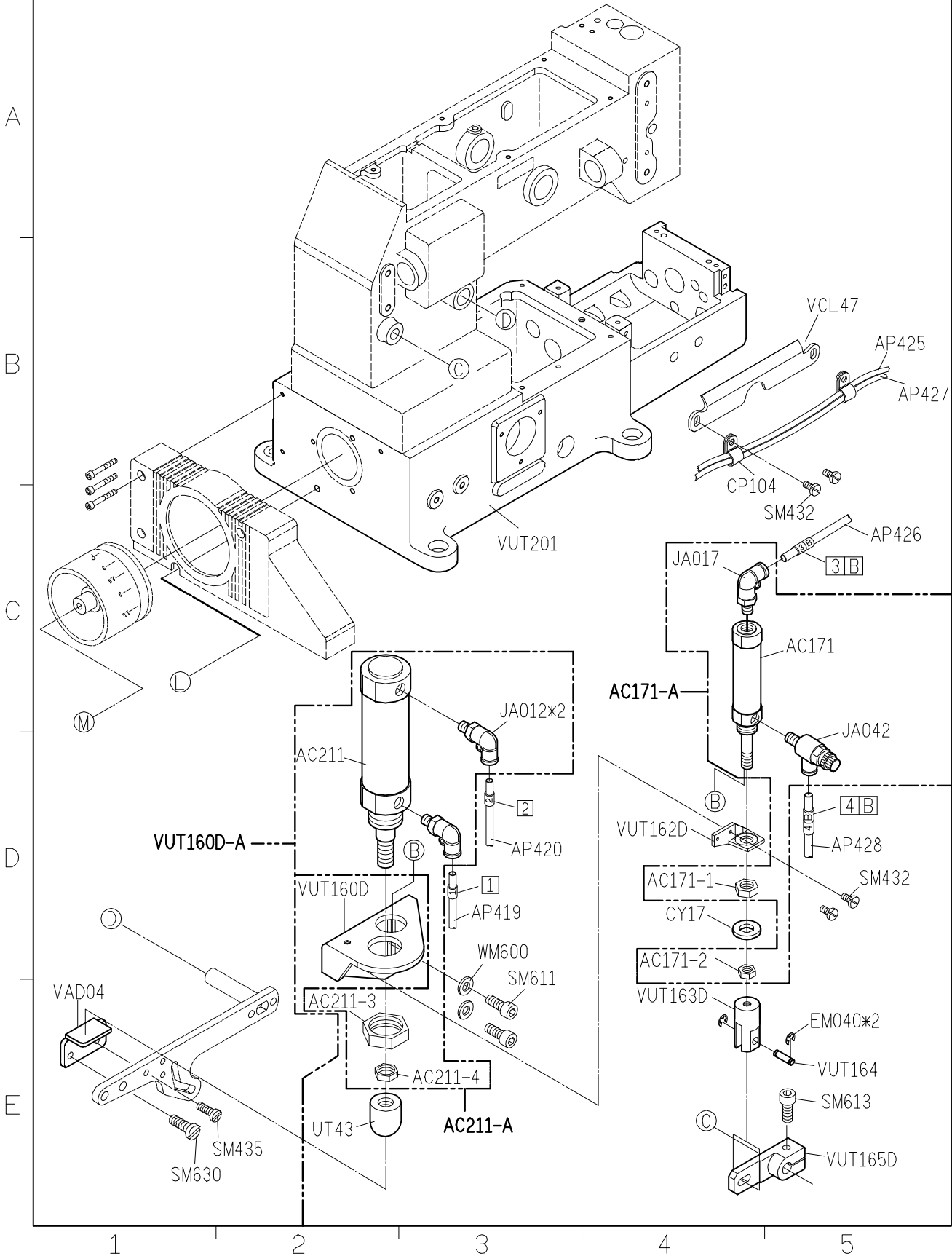
Date

2015/08/05

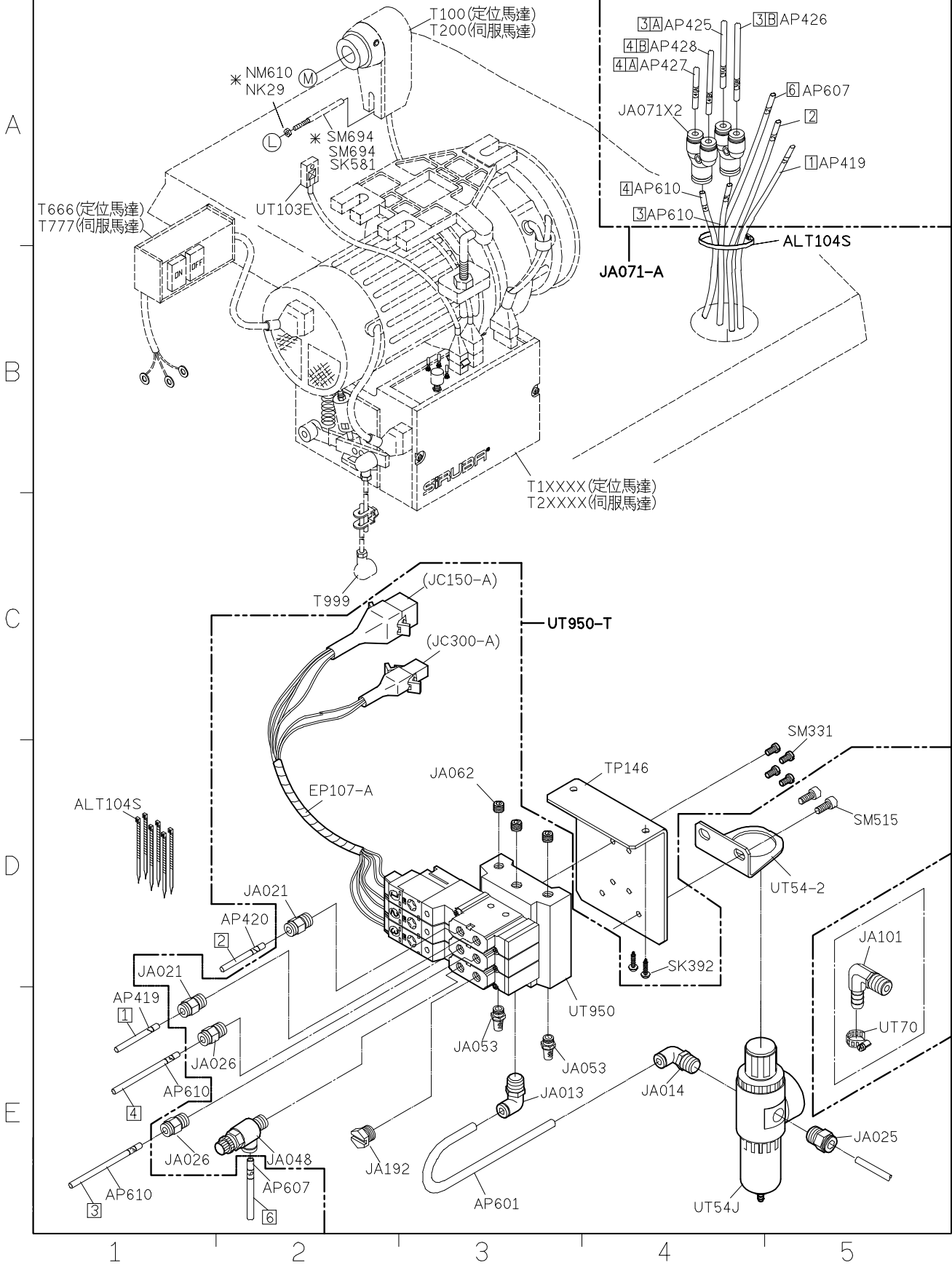
12 NEEDLE



SIRUBA PARTS LIST	Series	Parts Group	Subclass / Remark	Page
	VC008	VUT		5/7
				Date
				2012/08/21



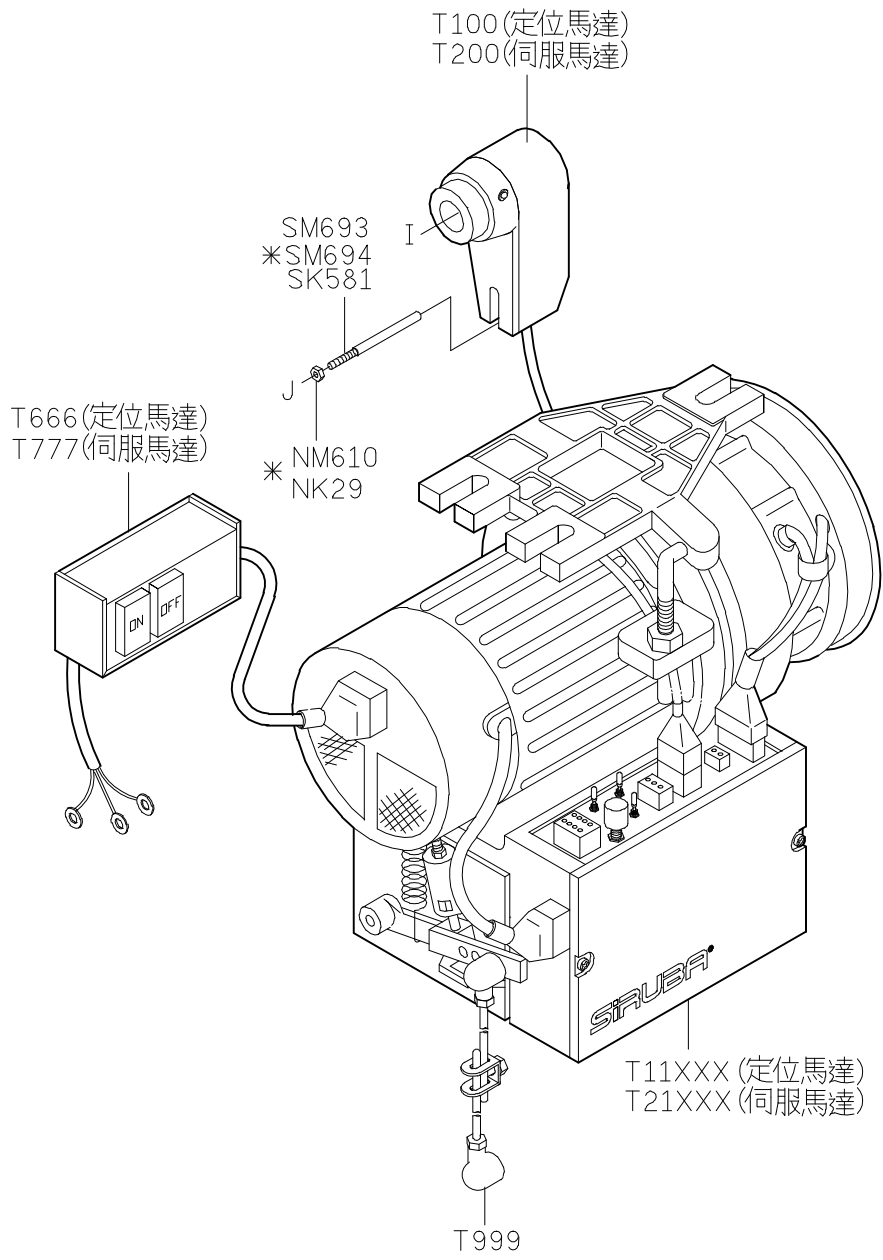
SIRUBA PARTS LIST	Series	Parts Group	Subclass / Remark	Page
	VC008	VUT		6/7
				Date
				2012/03/21



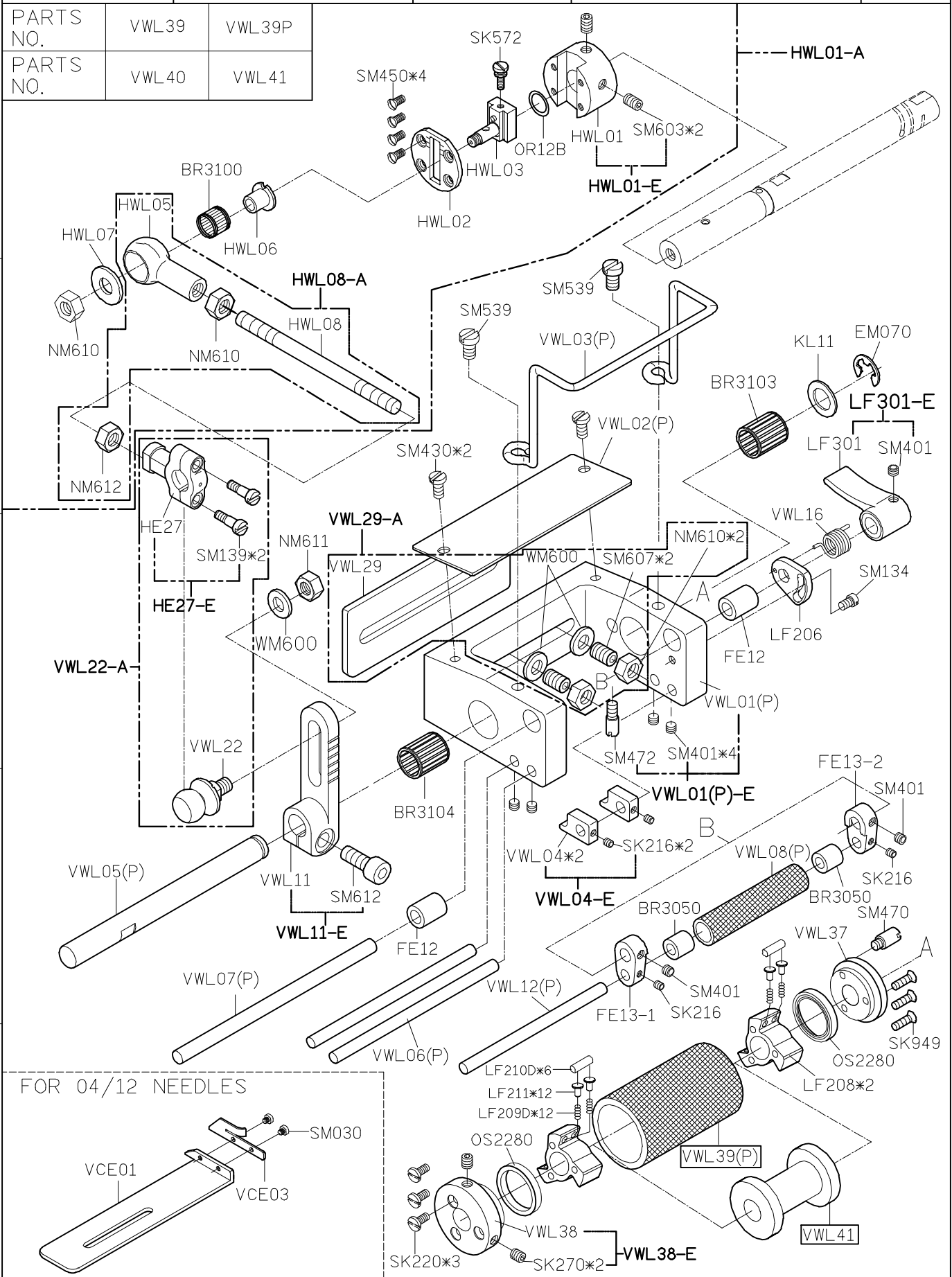
SIRUBA PARTS LIST	Series	Parts Group	Subclass / Remark	Page
	VC008	VUT		7/7
				Date
				2012/08/21

A
B
C
D
E

1 2 3 4 5

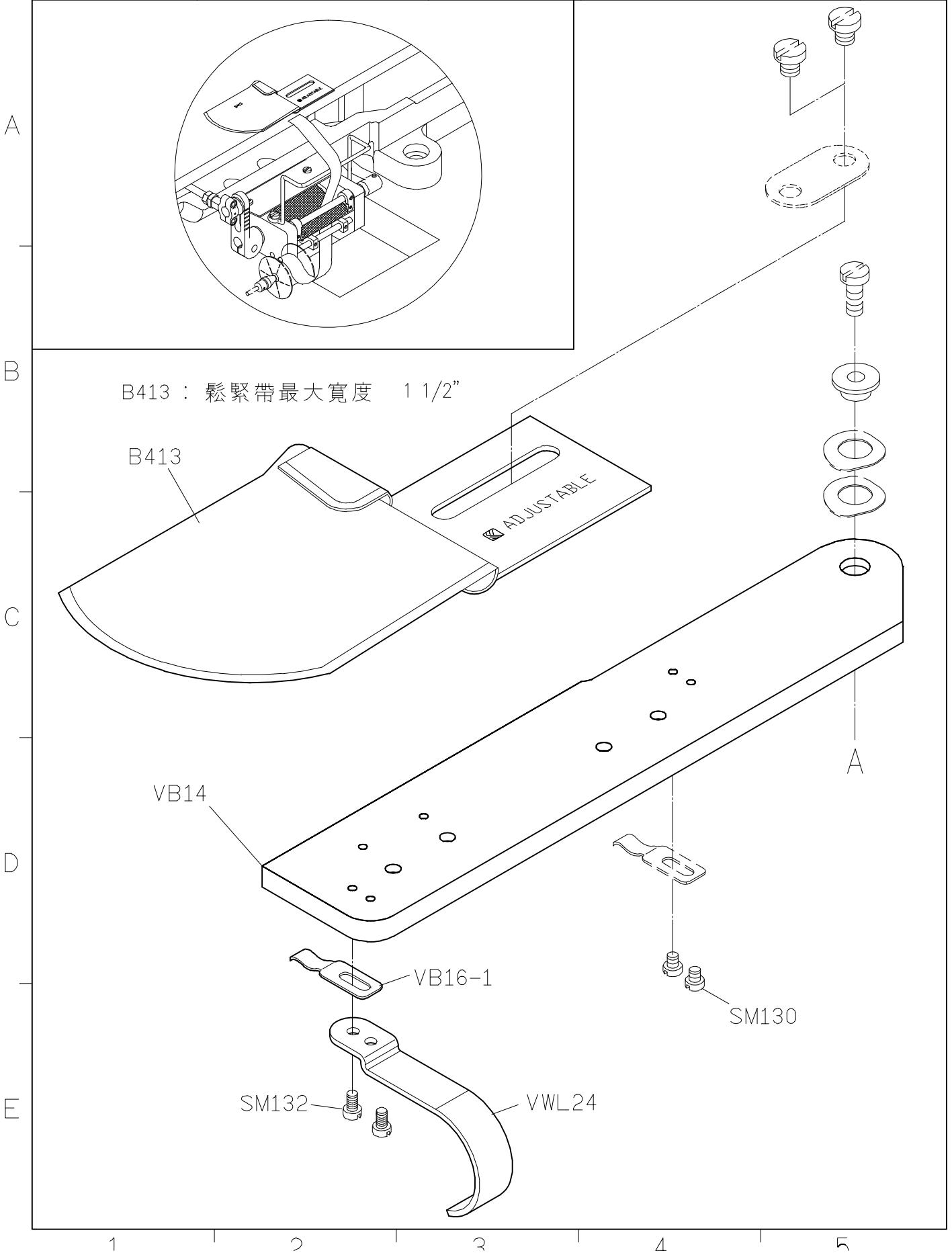


SIRUBA PARTS LIST	Series		Parts Group	Subclass Remark	Page
	VC008		VWL/VWLB		1/4
			VWLC		Date
					2013/09/23

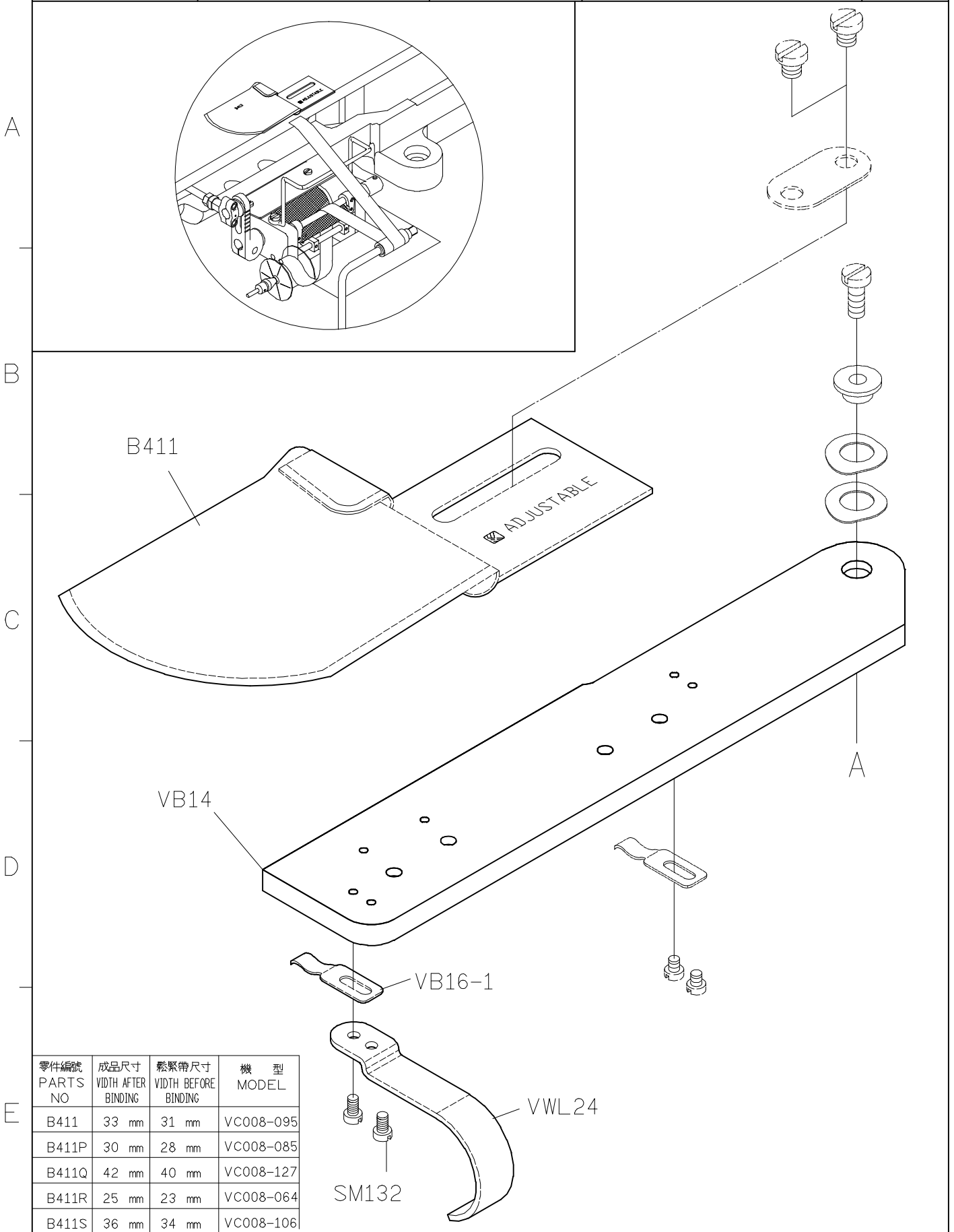


1 2 3 4 5

SIRUBA PARTS LIST	Series	Parts Group	Subclass / Remark	Page
	VC008	VWL		2/4
				Date
				2014/05/23



SIRUBA PARTS LIST	Series	Parts Group	Subclass / Remark	Page
	VC008	VWLB		3/4
				Date
				2014/05/23



A

B

C

D

E

零件編號 PARTS NO	成品尺寸 WIDTH AFTER BINDING	鬆緊帶尺寸 WIDTH BEFORE BINDING	機 型 MODEL
B411	33 mm	31 mm	VC008-095
B411P	30 mm	28 mm	VC008-085
B411Q	42 mm	40 mm	VC008-127
B411R	25 mm	23 mm	VC008-064
B411S	36 mm	34 mm	VC008-106

1

2

3

4

5

SIRUBA PARTS LIST	Series	Parts Group	Subclass / Remark	Page
	VC008	VWLB		4/4
				Date
				2012/08/23

OPTION:RLP02-A

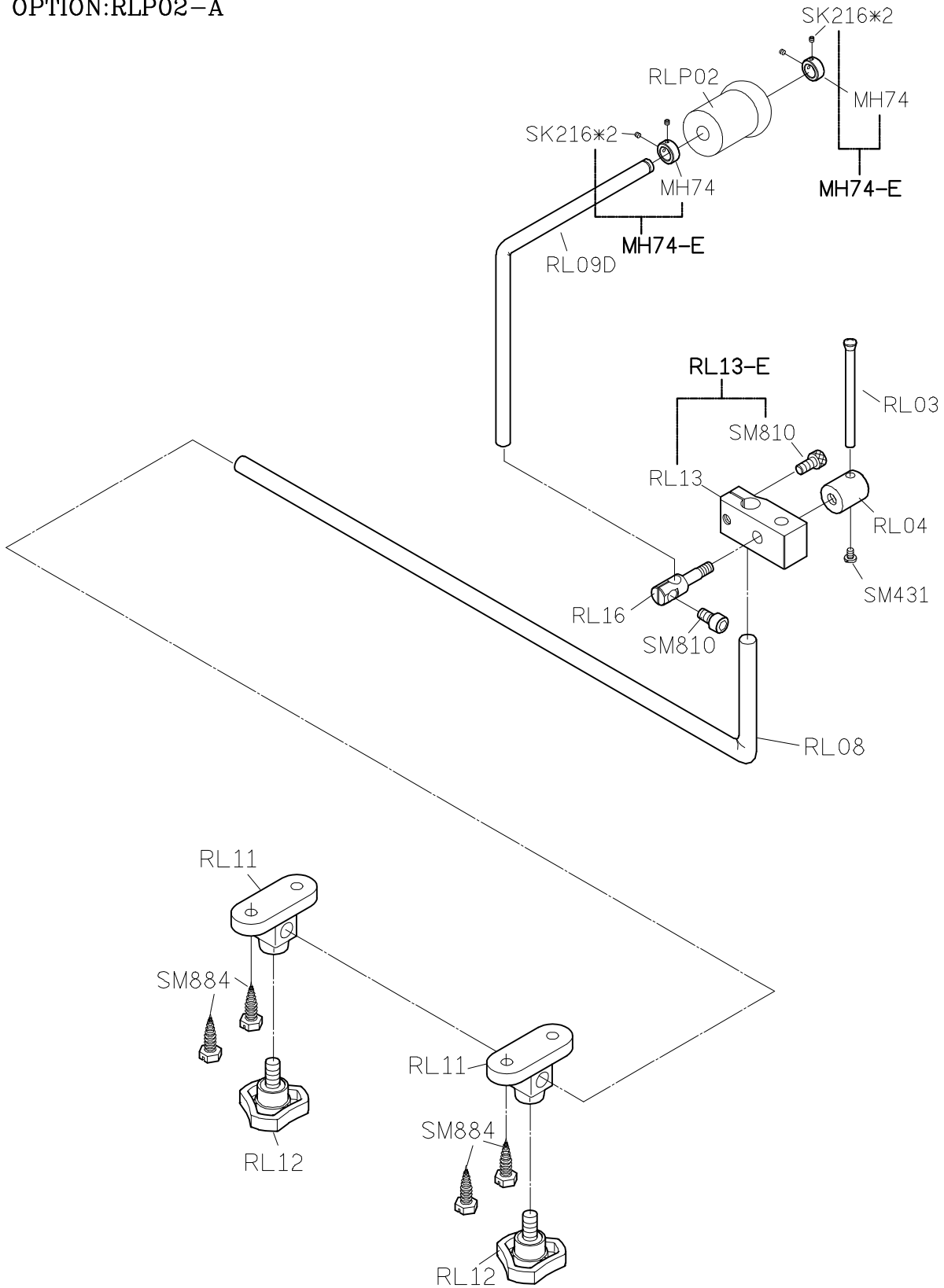
A

B

C

D

E



1

2

3

4

5