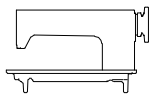

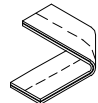
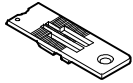
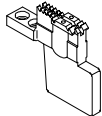
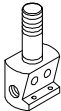

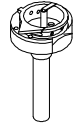
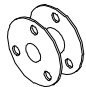

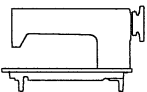


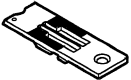
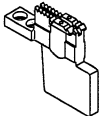
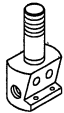
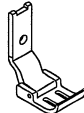



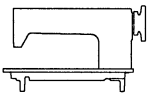


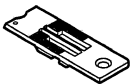
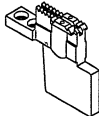
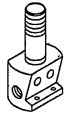
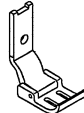



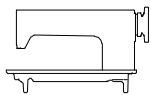

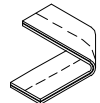
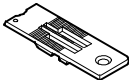
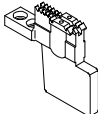
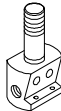
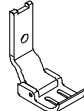

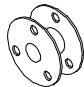

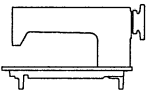

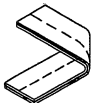

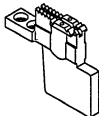
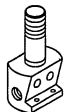
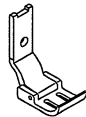
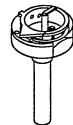




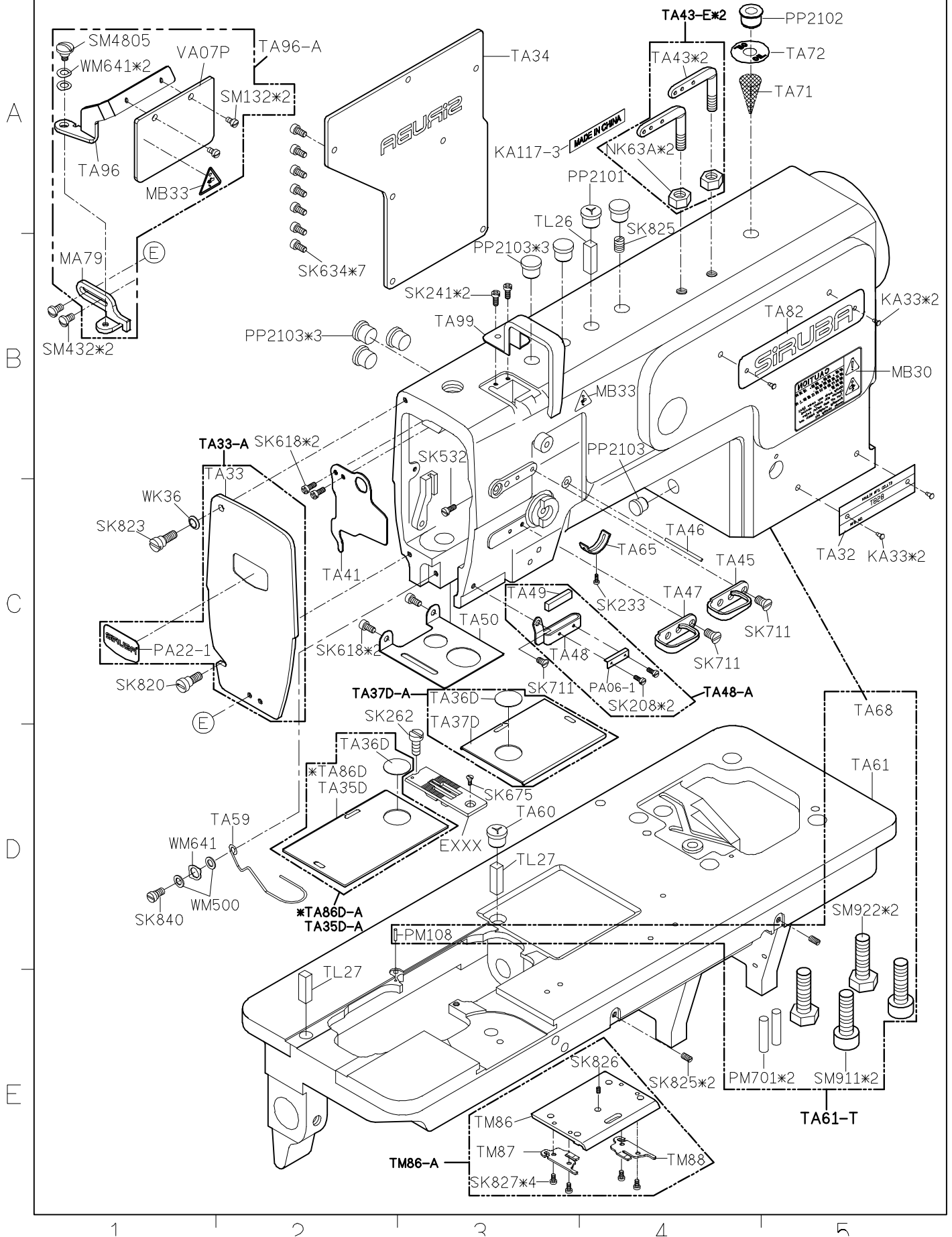
SIRUBA GAGE PARTS LIST		Series			Remark					Page	Date
		T828								1 / 6	2012/09/06
											
MODEL	OPERATING PANEL	SUB-CLASS	NEEDLE PLATE	FEED DOG	NEEDLE CLAMP	PRESSER FOOT	HOOK	BOBBIN	NEEDLE		
機 型	操作盒	規 格	針 板	下送具	針 鑷	押 具	旋 梭	梭 子	針 號		
T828-42-032ML		1/8"(3.2)	E734	D734/P	M734	P734/S	G161	G307	DPX5#14		
T828-42-048ML		3/16"(4.8)	E736	D736/P	M736	P736/S	G161	G307	DPX5#14		
T828-42-064ML		1/4"(6.4)	E730	D730/P	M730	P730/S	G161	G307	DPX5#14		
T828-42-032M		1/8"(3.2)	E734	D734/P	M734	P734/S	G162-A (G162+G406)	G307	DPX5#14		
T828-42-048M		3/16"(4.8)	E736	D736/P	M736	P736/S	G162-A (G162+G406)	G307	DPX5#14		
T828-42-064M		1/4"(6.4)	E730	D730/P	M730	P730/S	G162-A (G162+G406)	G307	DPX5#14		
T828-42-032HL		1/8"(3.2)	E762	D734/P	M734	P734/S	G167	G307	DPX5#22		
T828-42-048HL		3/16"(4.8)	E761	D736Q	M736	P736/S	G167	G307	DPX5#22		
T828-42-064HL		1/4"(6.4)	E760	D730Q	M730	P730/S	G167	G307	DPX5#22		
T828-42-032H		1/8"(3.2)	E762	D734/P	M734	P734/S	G162-A (G162+G406)	G307	DPX5#22		
T828-42-048H		3/16"(4.8)	E761	D736Q	M736	P736/S	G162-A (G162+G406)	G307	DPX5#22		
T828-42-064H		1/4"(6.4)	E760	D730Q	M730	P730/S	G162-A (G162+G406)	G307	DPX5#22		
T828-42-032ML/C	C300M-A2	1/8"(3.2)	E754-A	D754	M734	P754/S	G163	G307	DPX5#14		
T828-42-048ML/C	C300M-A2	3/16"(4.8)	E766-A	D766	M736	P766/S	G163	G307	DPX5#14		
T828-42-064ML/C	C300M-A2	1/4"(6.4)	E745-A	D745	M730	P745/S	G163	G307	DPX5#14		
T828-42-032M/C	C300M-A2	1/8"(3.2)	E754-A	D754	M734	P754/S	G164-A (G164+G406)	G307	DPX5#14		

SIRUBA GAGE PARTS LIST		Series			Remark					Page	Date
		T828								2 / 6	2016/07/14
											
MODEL	OPERATING PANEL	SUB-CLASS	NEEDLE PLATE	FEED DOG	NEEDLE CLAMP	PRESSER FOOT	HOOK	BOBBIN	NEEDLE		
機 型	操作盒	規 格	針 板	下送具	針 鉗	押 具	旋 梭	梭 子	針 號		
T828-42-048M/C	C300M-A2	3/16"(4.8)	E766-A	D766	M736	P766/S	G164-A (G164+G406)	G307	DPX5#14		
T828-42-064M/C	C300M-A2	1/4"(6.4)	E745-A	D745	M730	P745/S	G164-A (G164+G406)	G307	DPX5#14		
T828-42-032HL/C	C300M-A2	1/8"(3.2)	E788-A	D788D	M734	P754/S	G163	G307	DPX5#22		
T828-42-048HL/C	C300M-A2	3/16"(4.8)	E787-A	D787D	M736	P766/S	G163	G307	DPX5#22		
T828-42-064HL/C	C300M-A2	1/4"(6.4)	E786D-A1	D786D	M730	P745/S	G163	G307	DPX5#22		
T828-42-032H/C	C300M-A2	1/8"(3.2)	E788-A	D788D	M734	P754/S	G164-A (G164+G406)	G307	DPX5#22		
T828-42-048H/C	C300M-A2	3/16"(4.8)	E787-A	D787D	M736	P766/S	G164-A (G164+G406)	G307	DPX5#22		
T828-42-064H/C	C300M-A2	1/4"(6.4)	E786D-A1	D786D	M730	P745/S	G164-A (G164+G406)	G307	DPX5#22		
T828-42-040VL/C	C300M-A2	5/32"(4.0)	E755P-A	D755P	M735P-E	P775P	G163	G307	DPX5#14		
T828-42-048VL/C	C300M-A2	3/16"(4.8)	E766P-A	D766P	M766P-E	P766P	G163	G307	DPX5#14		
T828-42-127KL/C	C300M-A1	1/2"(12.7)	E763-A	D763	M763	P763	G163	G307	DPX5#14		
T828-45-032M		1/8"(3.2)	E762	D734/P	M0032R M0032L	P734/S	G169-A (G169+G409)	G307	DPX5#14		
T828-45-048M		3/16"(4.8)	E761	D736/P	M0048R M0048L	P736/S	G169-A (G169+G409)	G307	DPX5#14		
T828-45-064M		1/4"(6.4)	E760	D730/P	M0064R M0064L	P730/S	G169-A (G169+G409)	G307	DPX5#14		
T828-45-032H		1/8"(3.2)	E762	D734/P	M0032R M0032L	P734/S	G169-A (G169+G409)	G307	DPX5#22		
T828-45-048H		3/16"(4.8)	E761	D736Q	M0048R M0048L	P736/S	G169-A (G169+G409)	G307	DPX5#22		

SIRUBA GAGE PARTS LIST		Series			Remark					Page	Date
		T828								3 / 6	2016/07/14
											
MODEL	OPERATING PANEL	SUB-CLASS	NEEDLE PLATE	FEED DOG	NEEDLE CLAMP	PRESSER FOOT	HOOK	BOBBIN	NEEDLE		
機 型	操作盒	規 格	針 板	下送具	針 鉗	押 具	旋 梭	梭 子	針 號		
T828-45-064H		1/4"(6.4)	E760	D730Q	M0064R M0064L	P730/S	G169-A (G169+G409)	G307	DPX5#22		
T828-45-032M/C	C300M-A2	1/8"(3.2)	E788-A	D754	M0032R M0032L	P754/S	G170-A (G170+G410)	G307	DPX5#14		
T828-45-048M/C	C300M-A2	3/16"(4.8)	E787-A	D766	M0048R M0048L	P766/S	G170-A (G170+G410)	G307	DPX5#14		
T828-45-064M/C	C300M-A2	1/4"(6.4)	E786D-A1	D745	M0064R M0064L	P745/S	G170-A (G170+G410)	G307	DPX5#14		
T828-45-032H/C	C300M-A2	1/8"(3.2)	E788-A	D788D	M0032R M0032L	P754/S	G170-A (G170+G410)	G307	DPX5#22		
T828-45-048H/C	C300M-A2	3/16"(4.8)	E787-A	D787D	M0048R M0048L	P766/S	G170-A (G170+G410)	G307	DPX5#22		
T828-45-064H/C	C300M-A2	1/4"(6.4)	E786D-A1	D786D	M0064R M0064L	P745/S	G170-A (G170+G410)	G307	DPX5#22		
T828-47-032LL		1/8"(3.2)	E791	D791	M734	P791/S	G161	G307	DPX5#11		
T828-47-048LL		3/16"(4.8)	E790	D790	M736	P790/S	G161	G307	DPX5#11		
T828-47-064LL		1/4"(6.4)	E789	D789	M730	P789/S	G161	G307	DPX5#11		
T828-47-032L		1/8"(3.2)	E791	D791	M734	P791/S	G162-A (G162+G406)	G307	DPX5#11		
T828-47-048L		3/16"(4.8)	E790	D790	M736	P790/S	G162-A (G162+G406)	G307	DPX5#11		
T828-47-064L		1/4"(6.4)	E789	D789	M730	P789/S	G162-A (G162+G406)	G307	DPX5#11		
T828-47-032LL/C	C300M-A2	1/8"(3.2)	E794-A	D794	M734	P791A	G163	G307	DPX5#11		
T828-47-048LL/C	C300M-A2	3/16"(4.8)	E793-A	D793	M736	P790A	G163	G307	DPX5#11		
T828-47-064LL/C	C300M-A2	1/4"(6.4)	E792-A	D792	M730	P789A	G163	G307	DPX5#11		

SIRUBA GAGE PARTS LIST		Series			Remark					Page	Date
		T828								4 / 6	2012/09/06
											
MODEL	OPERATING PANEL	SUB-CLASS	NEEDLE PLATE	FEED DOG	NEEDLE CLAMP	PRESSER FOOT	HOOK	BOBBIN	NEEDLE		
機 型	操作盒	規 格	針 板	下送具	針 鑷	押 具	旋 梭	梭 子	針 號		
T828-47-032L/C	C300M-A2	1/8"(3.2)	E794-A	D794	M734	P791A	G164-A (G164+G406)	G307	DPX5#11		
T828-47-048L/C	C300M-A2	3/16"(4.8)	E793-A	D793	M736	P790A	G164-A (G164+G406)	G307	DPX5#11		
T828-47-064L/C	C300M-A2	1/4"(6.4)	E792-A	D792	M730	P789A	G164-A (G164+G406)	G307	DPX5#11		
T828-48-032L		1/8"(3.2)	E791	D791	M0032R M0032L	P791/S	G169-A (G169+G409)	G307	DPX5#11		
T828-48-048L		3/16"(4.8)	E790	D790	M0048R M0048L	P790/S	G169-A (G169+G409)	G307	DPX5#11		
T828-48-064L		1/4"(6.4)	E789	D789	M0064R M0064L	P789/S	G169-A (G169+G409)	G307	DPX5#11		
T828-48-032L/C	C300M-A2	1/8"(3.2)	E794-A	D794	M0032R M0032L	P791A	G170-A (G170+G410)	G307	DPX5#11		
T828-48-048L/C	C300M-A2	3/16"(4.8)	E793-A	D793	M0048R M0048L	P790A	G170-A (G170+G410)	G307	DPX5#11		
T828-48-064L/C	C300M-A2	1/4"(6.4)	E792-A	D792	M0064R M0064L	P789A	G170-A (G170+G410)	G307	DPX5#11		
T828-72-032ML		1/8"(3.2)	E762	D734/P	M734	P762/S	G165	G310	DPX5#14		
T828-72-048ML		3/16"(4.8)	E761	D736/P	M736	P761/S	G165	G310	DPX5#14		
T828-72-064ML		1/4"(6.4)	E760	D730/P	M730	P760/S	G165	G310	DPX5#14		
T828-72-032HL		1/8"(3.2)	E762	D734/P	M734	P762/S	G165	G310	DPX5#22		
T828-72-048HL		3/16"(4.8)	E761	D736Q	M736	P761/S	G165	G310	DPX5#22		
T828-72-064HL		1/4"(6.4)	E760	D730Q	M730	P760/S	G165	G310	DPX5#22		
T828-72-032M/C	C300M-A2	1/8"(3.2)	E788-A	D754	M734	P762/S	G168-A (G168+G411)	G310	DPX5#14		

SIRUBA GAGE PARTS LIST		Series			Remark					Page	Date
		T828								5 / 6	2016/07/14
											
MODEL	OPERATING PANEL	SUB-CLASS	NEEDLE PLATE	FEED DOG	NEEDLE CLAMP	PRESSER FOOT	HOOK	BOBBIN	NEEDLE		
機 型	操作盒	規 格	針 板	下送具	針 釗	押 具	旋 梭	梭 子	針 號		
T828-72-048M/C	C300M-A2	3/16"(4.8)	E787-A	D766	M736	P761/S	G168-A (G168+G411)	G310	DPX5#14		
T828-72-064M/C	C300M-A2	1/4"(6.4)	E786D-A1	D745	M730	P760/S	G168-A (G168+G411)	G310	DPX5#14		
T828-72-032H/C	C300M-A2	1/8"(3.2)	E788-A	D788D	M734	P762/S	G168-A (G168+G411)	G310	DPX5#22		
T828-72-048H/C	C300M-A2	3/16"(4.8)	E787-A	D787D	M736	P761/S	G168-A (G168+G411)	G310	DPX5#22		
T828-72-064H/C	C300M-A2	1/4"(6.4)	E786D-A1	D786D	M730	P760/S	G168-A (G168+G411)	G310	DPX5#22		
T828-72-064HL/C	C300M-A2	1/4"(6.4)	E786D-A1	D786D	M730	P760/S	G168-A (G168+G411)	G310	DPX5#22		
T828-75-032M		1/8"(3.2)	E762	D734/P	M0032R M0032L	P762/S	G166-A (G166+G407)	G310	DPX5#14		
T828-75-048M		3/16"(4.8)	E761	D736/P	M0048R M0048L	P761/S	G166-A (G166+G407)	G310	DPX5#14		
T828-75-064M		1/4"(6.4)	E760	D730/P	M0064R M0064L	P760/S	G166-A (G166+G407)	G310	DPX5#14		
T828-75-032H		1/8"(3.2)	E762	D734/P	M0032R M0032L	P762/S	G166-A (G166+G407)	G310	DPX5#22		
T828-75-048H		3/16"(4.8)	E761	D736Q	M0048R M0048L	P761/S	G166-A (G166+G407)	G310	DPX5#22		
T828-75-064H		1/4"(6.4)	E760	D730Q	M0064R M0064L	P760/S	G166-A (G166+G407)	G310	DPX5#22		
T828-75-032M/C	C300M-A2	1/8"(3.2)	E788-A	D754	M0032R M0032L	P762/S	G168-A1 (G168+G408)	G310	DPX5#14		
T828-75-048M/C	C300M-A2	3/16 (4.8)	E787-A	D766	M0048R M0048L	P761/S	G168-A1 (G168+G408)	G310	DPX5#14		
T828-75-064M/C	C300M-A2	1/4"(6.4)	E786D-A1	D745	M0064R M0064L	P760/S	G168-A1 (G168+G408)	G310	DPX5#14		
T828-75-032H/C	C300M-A2	1/8"(3.2)	E788-A	D788D	M0032R M0032L	P762/S	G168-A1 (G168+G408)	G310	DPX5#22		



SIRUBA
PARTS LIST

Series
T828
-45
-48
-75

Parts Group
TA

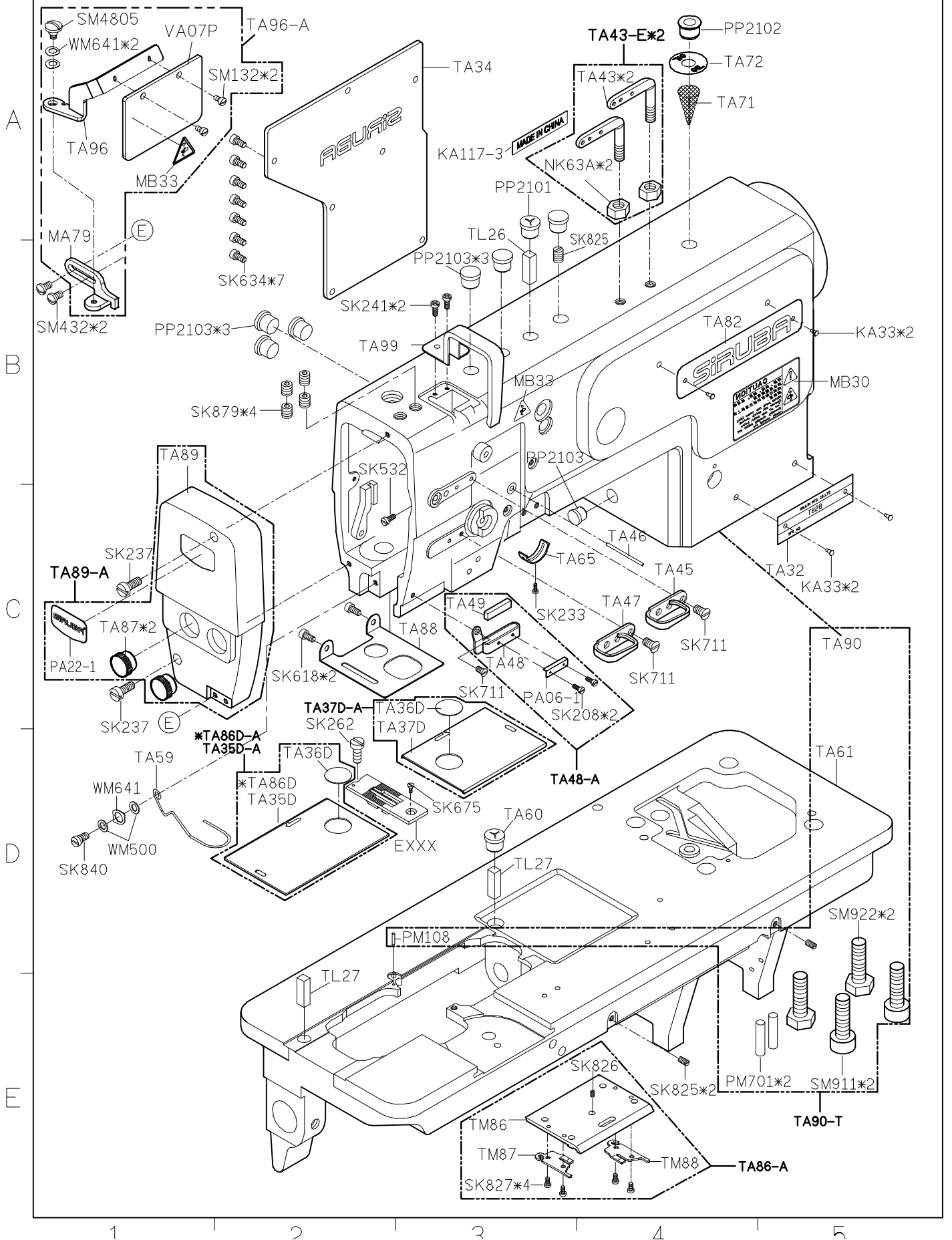
Subclass / Remark

Page

2/3

Date

2013/04/24



A

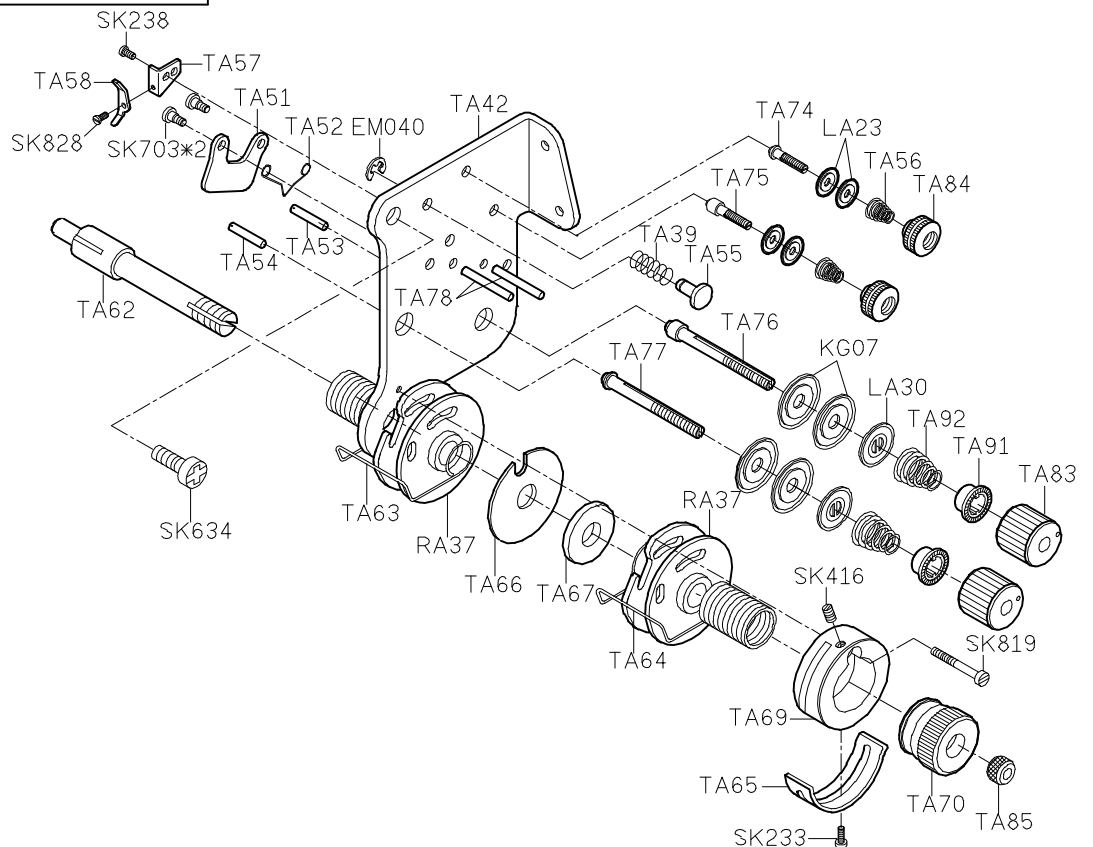
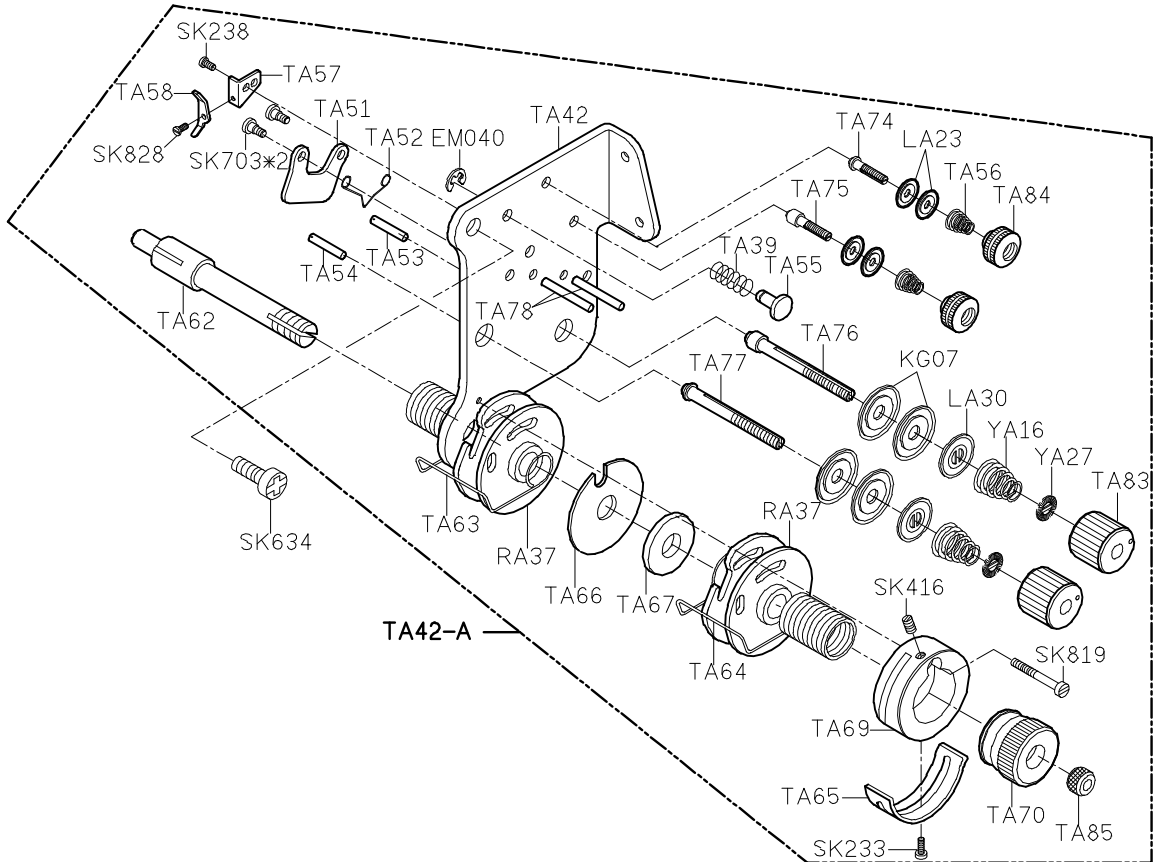
B

C

TA91-A (FOR T828-47/48)

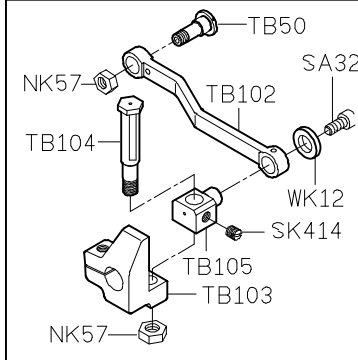
D

E



MODEL	T828-42		T828-47	T828-72	
	M	H	L	M	H
PARTS NO.	TB26	TB26	TB106-A	TB26	TB26
	TB27-A	TB27-A		TB27-A	TB27-A
	TB40	TB90	TB98	TB96	TB96

下送及針送更換用



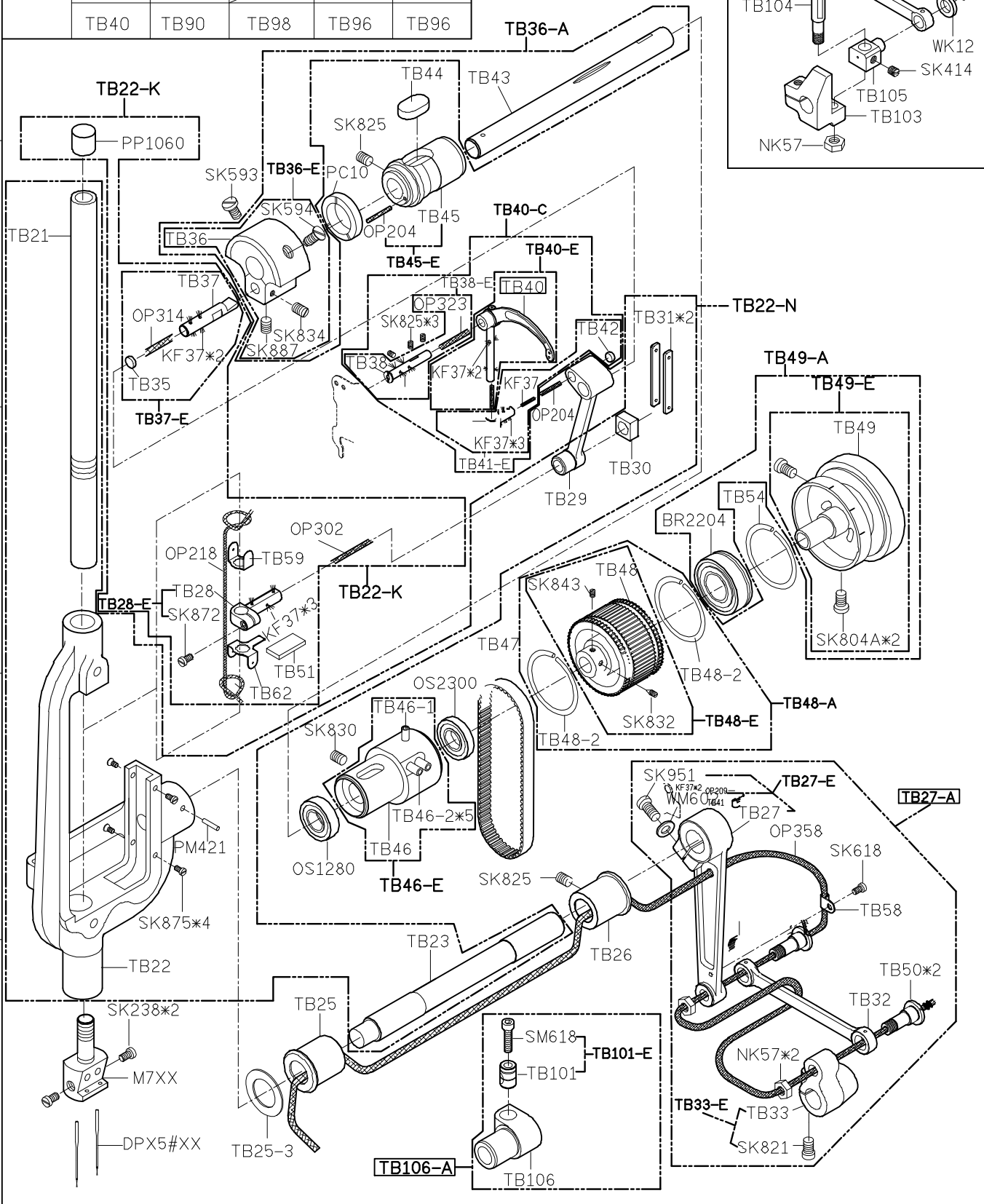
A

B

C

D

E



1

2

3

4

5

SIRUBA
PARTS LIST

Series
T828

Parts Group
TB

Subclass / Remark

Page

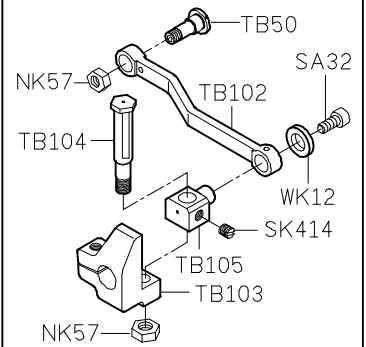
2/2

Date

2015/06/26

MODEL	T828-45		T828-48		T828-75	
	M	H	L	M	H	
PARTS NO.	TB26	TB26	TB106-A	TB26	TB26	
	TB27-A	TB27-A		TB27-A	TB27-A	
	TB90	TB90	TB98	TB97	TB97	

下送及針送更換用



★在訂單前，請先確認另件上的記號

TB72		TB77	
編號	MARK	編號	MARK
TB72-25	25	TB77-B1	B1
TB72-30	30	TB77-B2	B2
TB72-35	35	TB77-B3	B3
TB72-40	40		
TB72-45	45		
TB72-50	50		
TB72-55	55		
TB72-60	60		
TB72-65	65		
TB72-70	70		
TB72-75	75		
TB72-80	80		

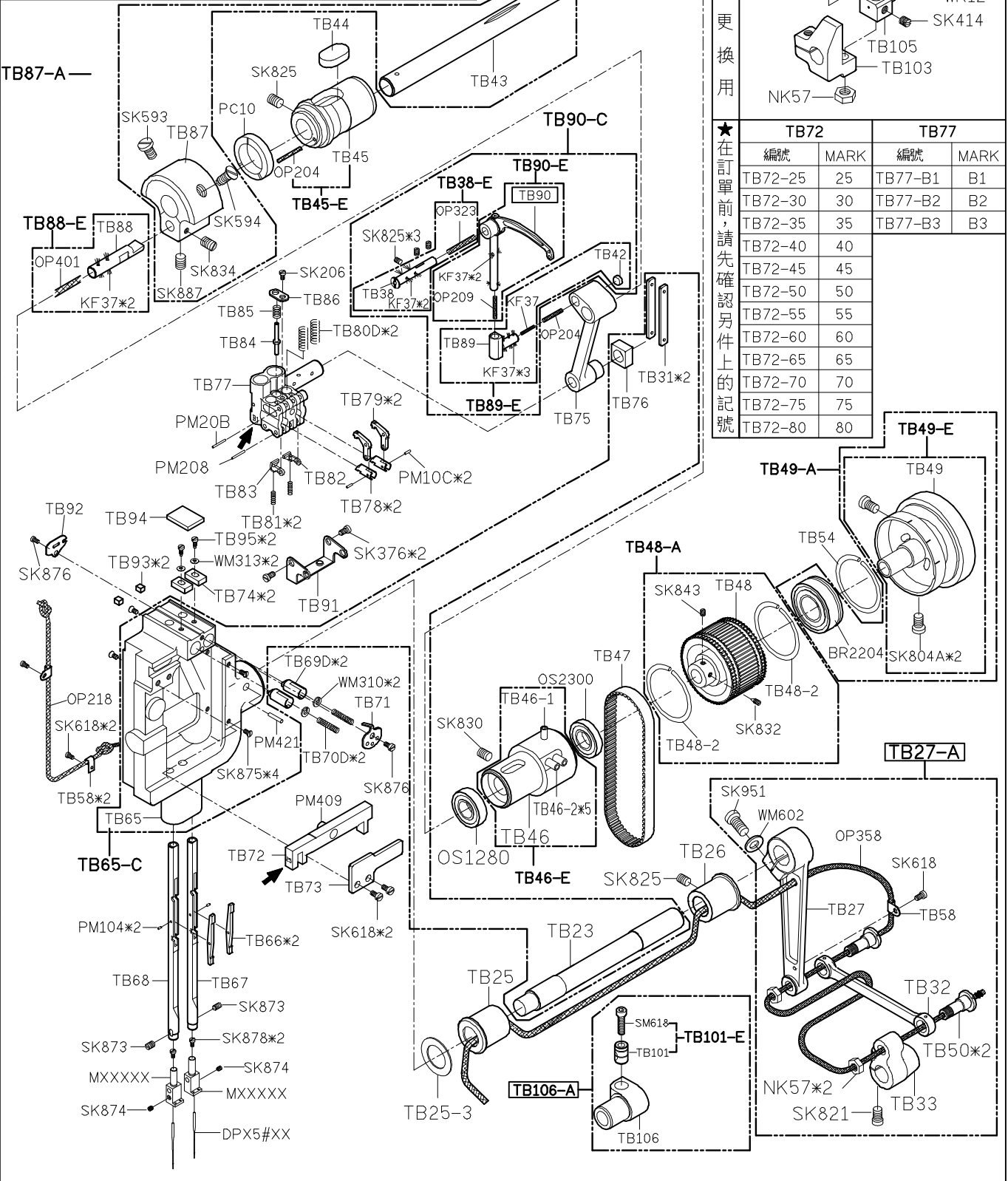
A

B

C

D

E



1

2

3

4

5

SIRUBA
PARTS LIST

Series
T828

Parts Group
TC

Subclass / Remark

Page

1/1

Date

2012/09/08

MODEL	T828-42		T828-45		T828-72		T828-75	
	M	H	M	H	M	H	M	H
PARTS NO	TC50	TC50	TC50	TC50	TC79	TC79	TC79	TC79
	TC66	TC81	TC66	TC81	TC82	TC82	TC82	TC82
	TC69	TC69	TC69	TC69	TC78	TC78	TC78	TC78
	TC70	TC85	TC70	TC85	TC70	TC70	TC70	TC70

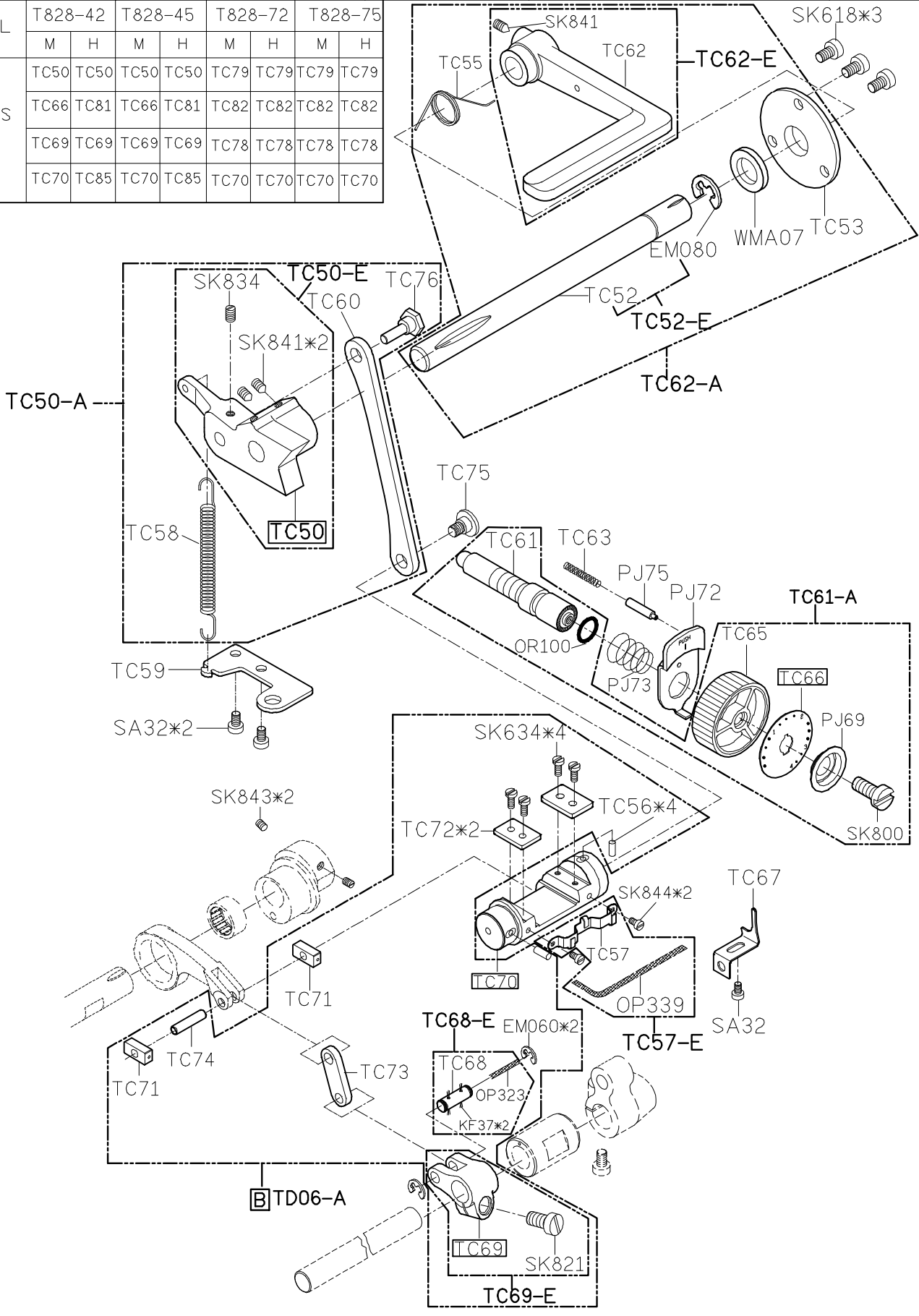
A

B

C

D

E



1

2

3

4

5

MODEL	T828-42/45		T828-47/48		T828-72/75	
	M	H	L	M	H	
PARTS NO	TD01	TD01	TD01	TD30	TD30	
	TD02	TD02	TD02	TD31	TD31	
	TD03	TD03	TD32	TD03	TD03	
	TD04	TD04	TD04	TD28	TD28	
	TD19	TD19	TD19	TD29	TD29	

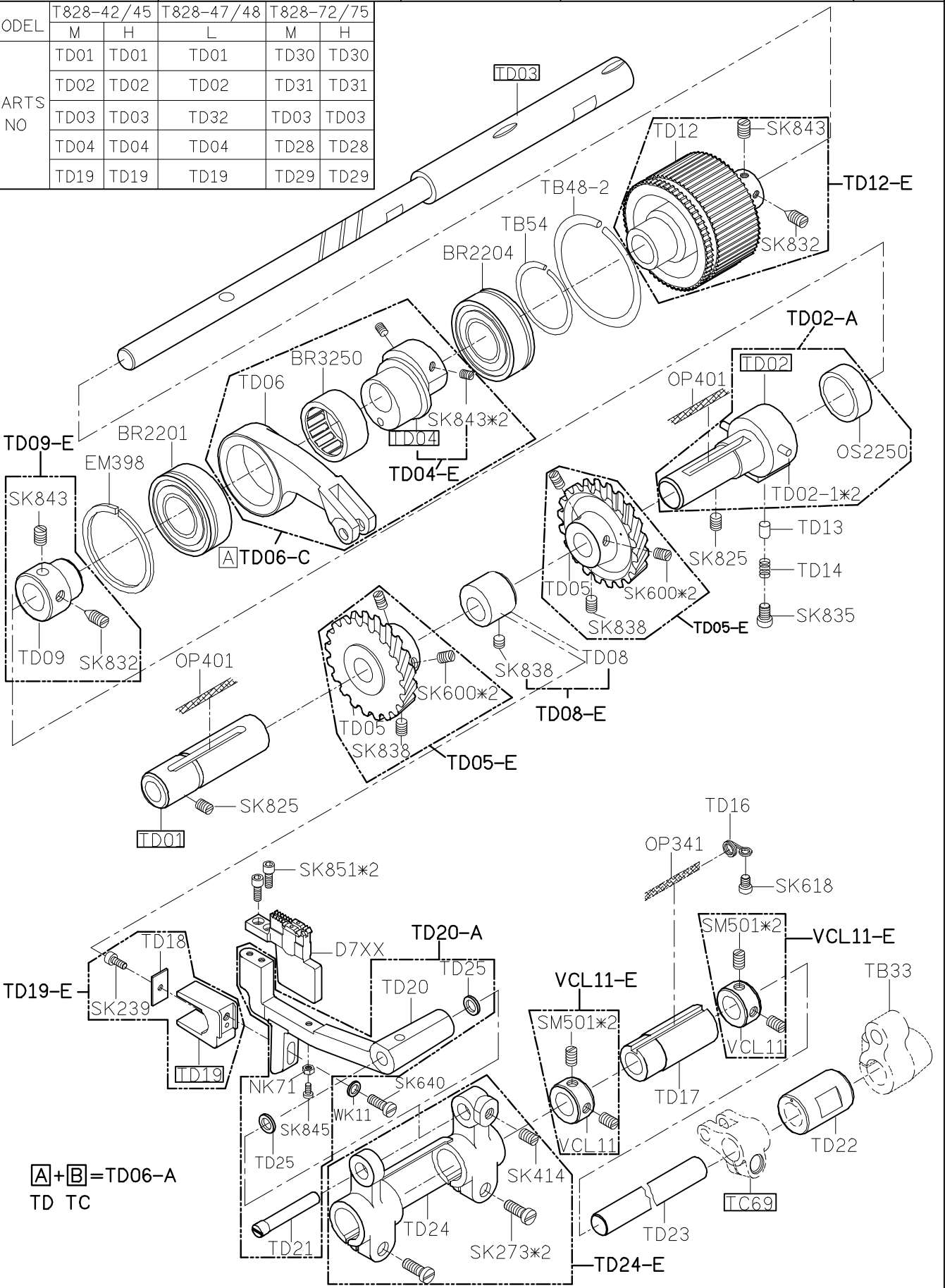
A

B

C

D

E



A+B=TD06-A
 TD TC

1

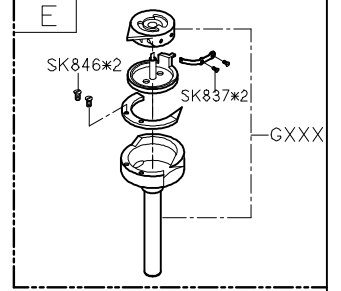
2

3

4

5

MODEL	T828-42/45		T828-72/75	
	M	H	M	H
PARTS NO	TE06	TE06	TE56	TE56
	TE07	TE07	TE57	TE57
	TE15	TE15	TE58	TE58
	TE18	TE18	TE59	TE59
	TE52	TE52	TE62	TE62
	TE53	TE53	TE63	TE63



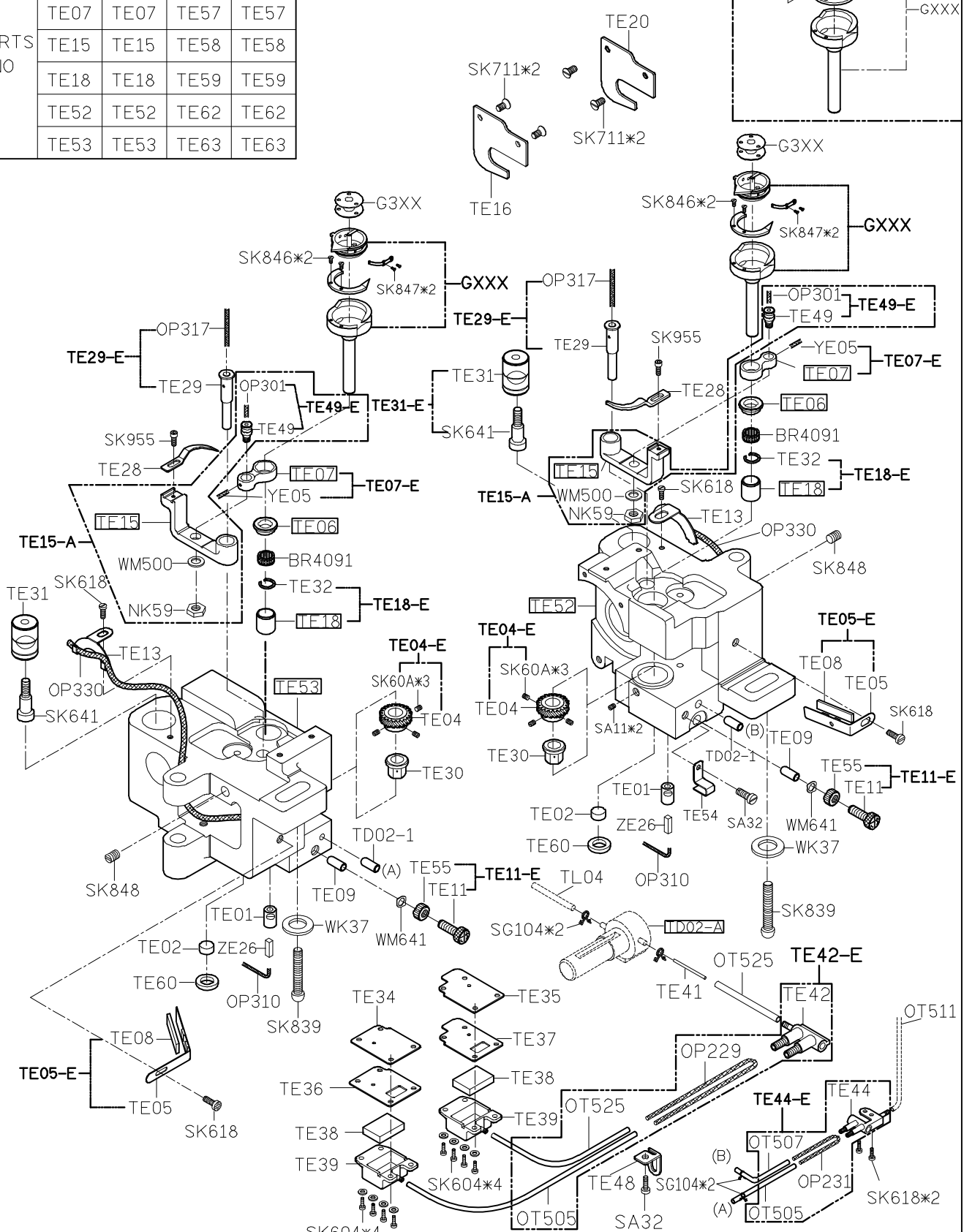
A

B

C

D

E



1

2

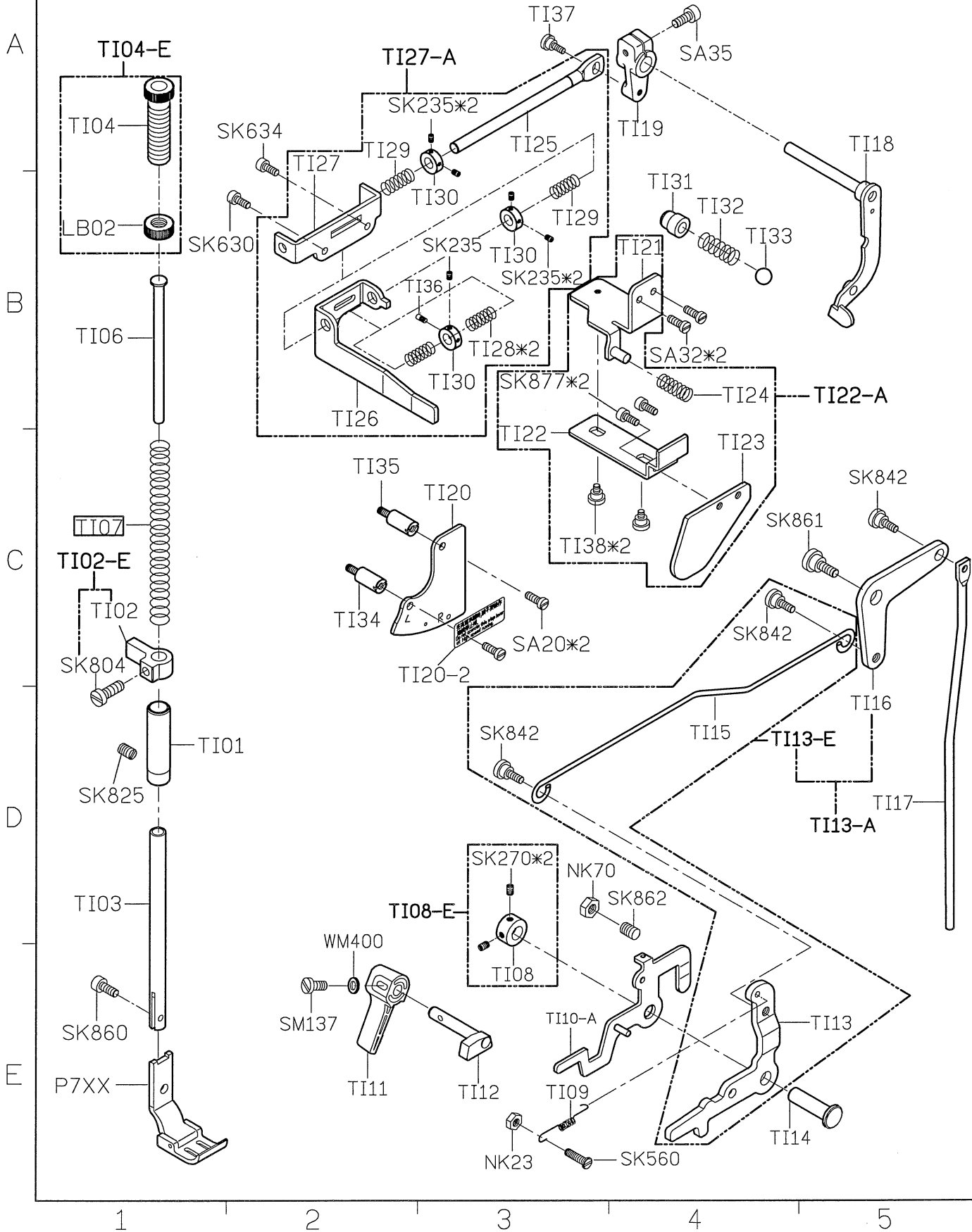
3

4

5

SIRUBA PARTS LIST	Series		Parts Group		Subclass / Remark		Page
	T828		TI				1/1
							Date
						2015/11/11	

MODEL	T828-42/45		T828-47/48	T828-72/75	
	M	H	L	M	H
PARTS NO	TI07	TI07	TI45	TI07	TI07



SIRUBA**PARTS LIST****Series****T828****Parts Group****TL****Subclass / Remark****Page**

1/1

Date

2013/08/08

MODEL	T828-42/72		T828-45/75	
	M	H	M	H
PARTS NO	SA10	SA10	SA12	SA12
			TL30	TL30
	TL05	TL05	TL31	TL31

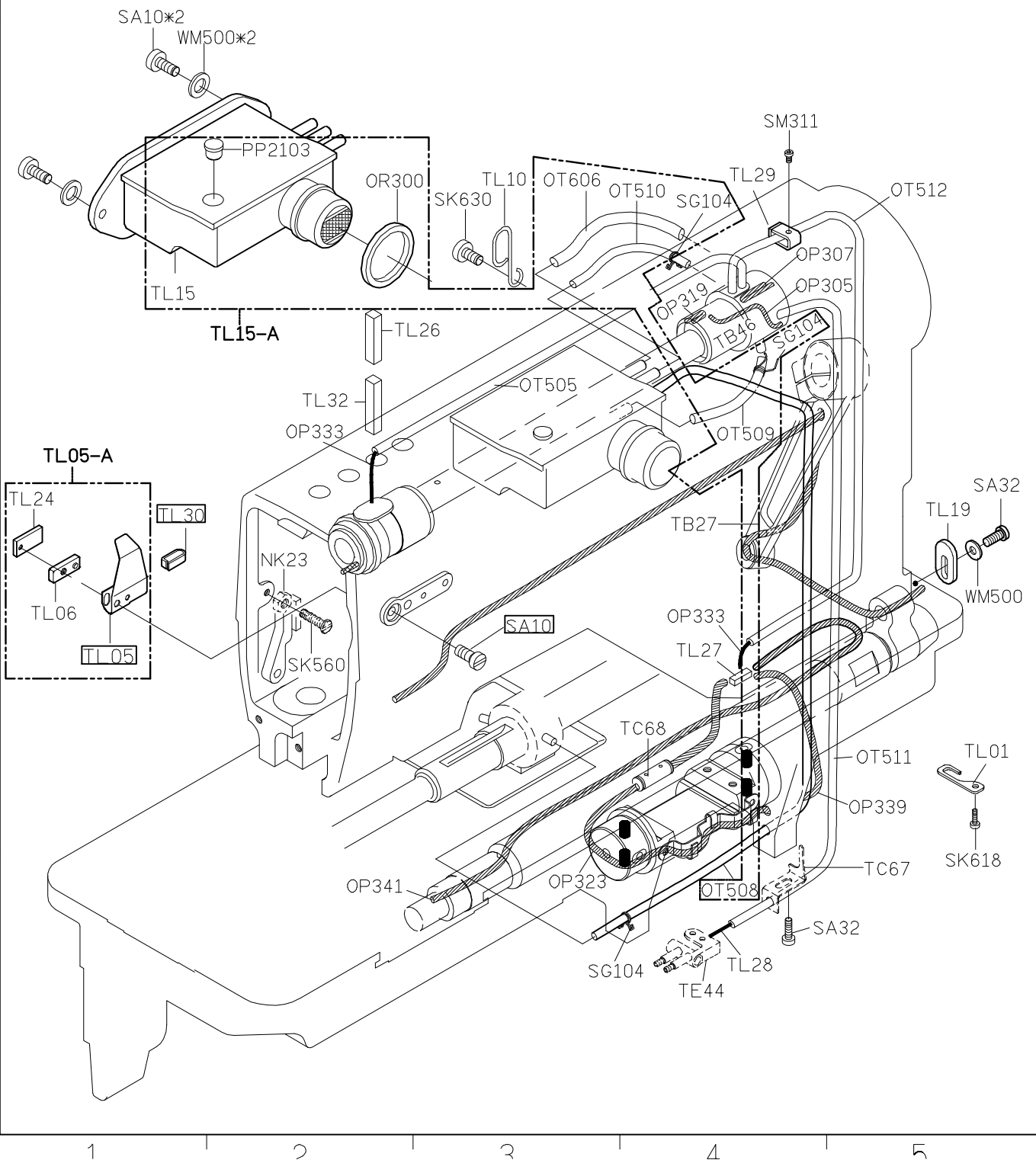
A

B

C

D

E



SIRUBA

PARTS LIST

Series

T828

Parts Group

TM

Subclass / Remark

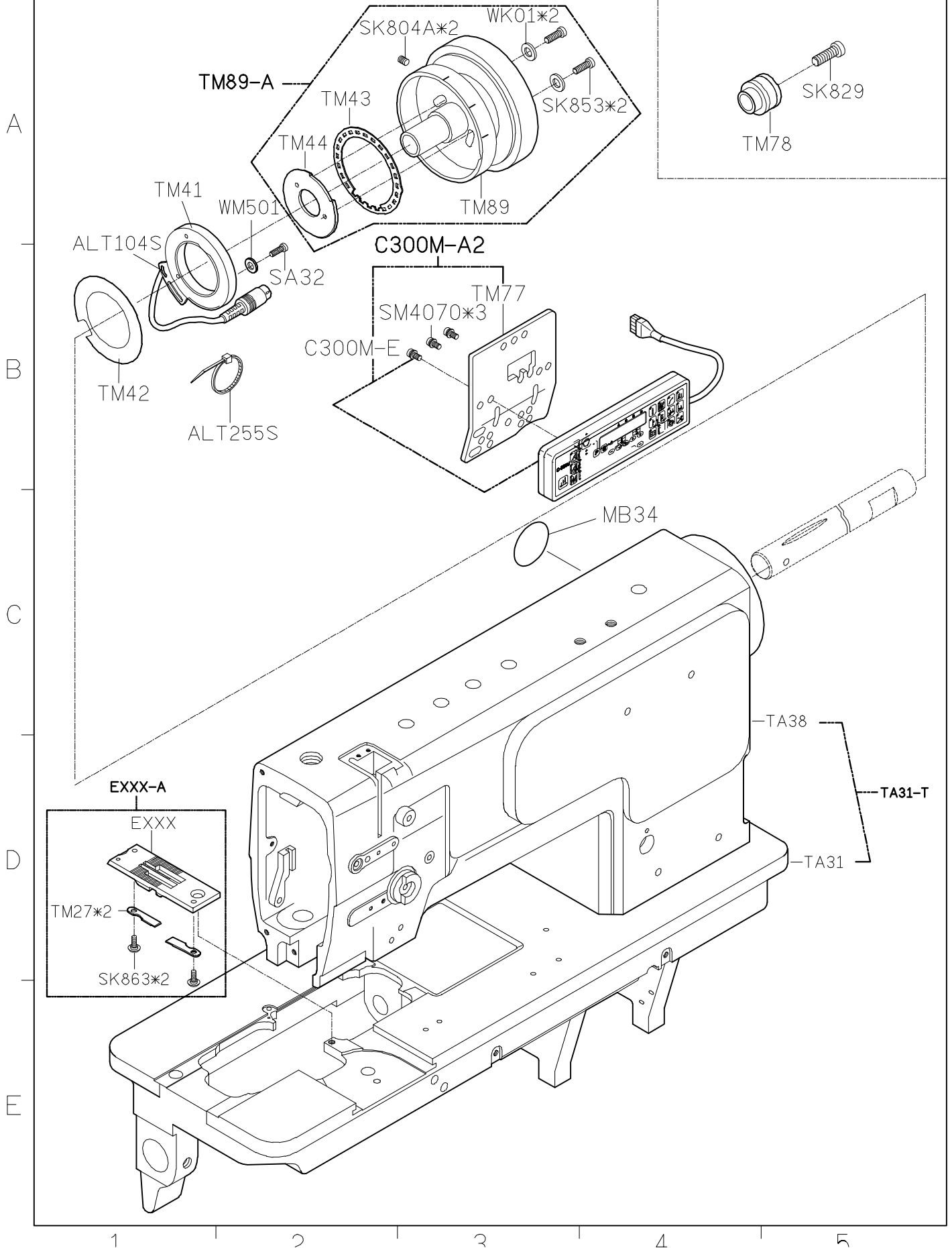
For THREAD TRIMMER

Page

1/7

Date

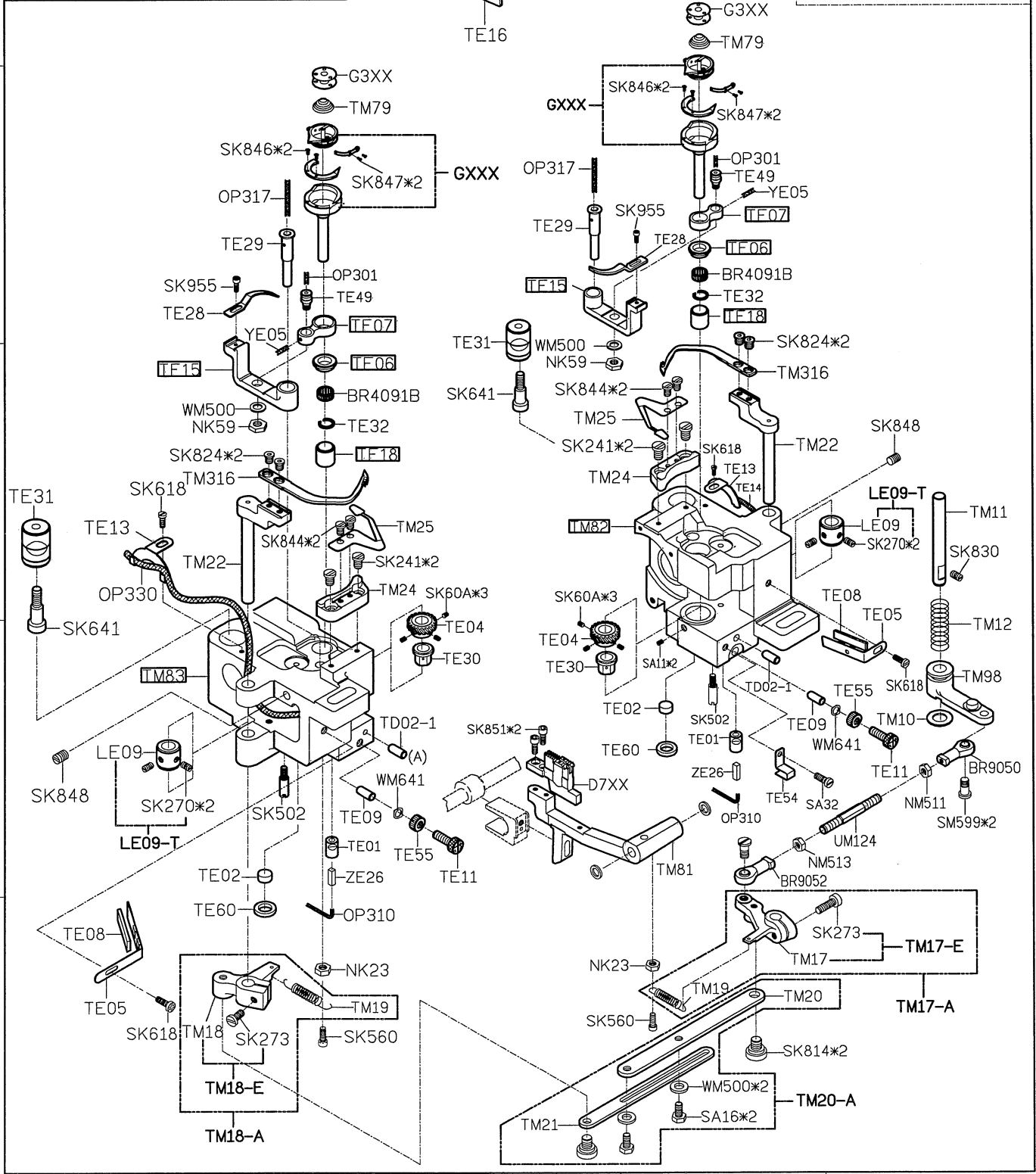
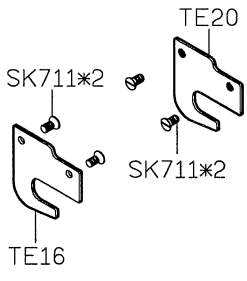
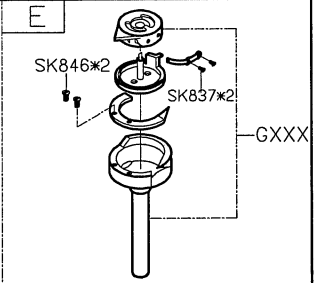
2012/09/08



SIRUBA PARTS LIST	Series		Parts Group		Subclass / Remark		Page
	T828		TM		For THREAD TRIMMER		2/7
							Date
							2016/07/15

MODEL	T828-42/45		T828-72/75	
	M	H	M	H
PARTS NO	TE06	TE06	TE56	TE56
	TE07	TE07	TE57	TE57
	TE15	TE15	TE58	TE58
	TE18	TE18	TE59	TE59
	TM82	TM82	TM95	TM95
	TM83	TM83	TM96	TM96

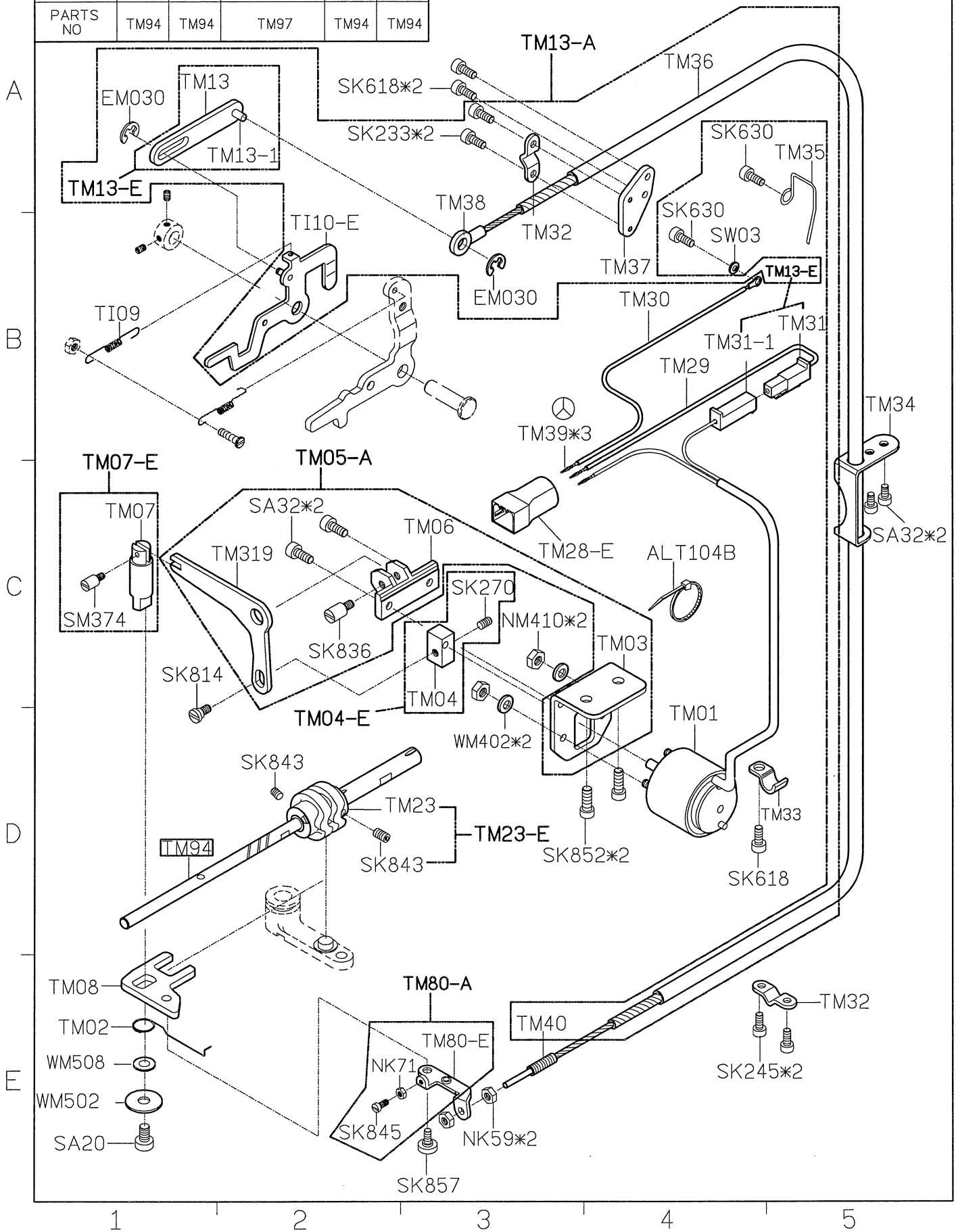
A
B
C
D
E



1 2 3 4 5

SIRUBA PARTS LIST	Series		Parts Group		Subclass / Remark		Page
	T828		TM		For THREAD TRIMMER		3/7
							Date
							2015/11/11

MODEL	T828-42/45		T828-47/48		T828-72/75	
	M	H	L	M	H	
PARTS NO	TM94	TM94	TM97	TM94	TM94	



SIRUBA

PARTS LIST

Series

T828

Parts Group

TM

Subclass / Remark

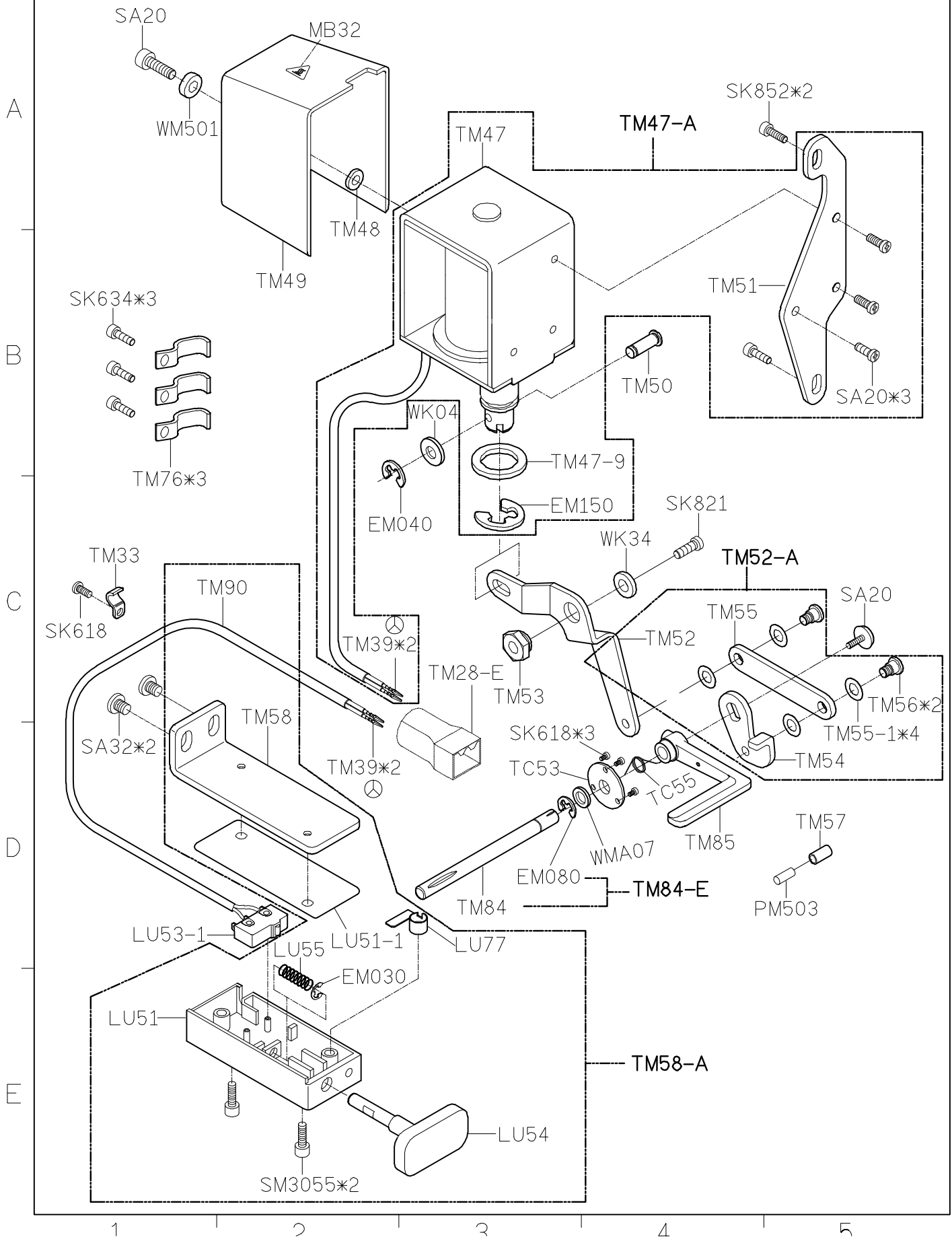
For THREAD TRIMMER

Page

4/7

Date

2012/09/06



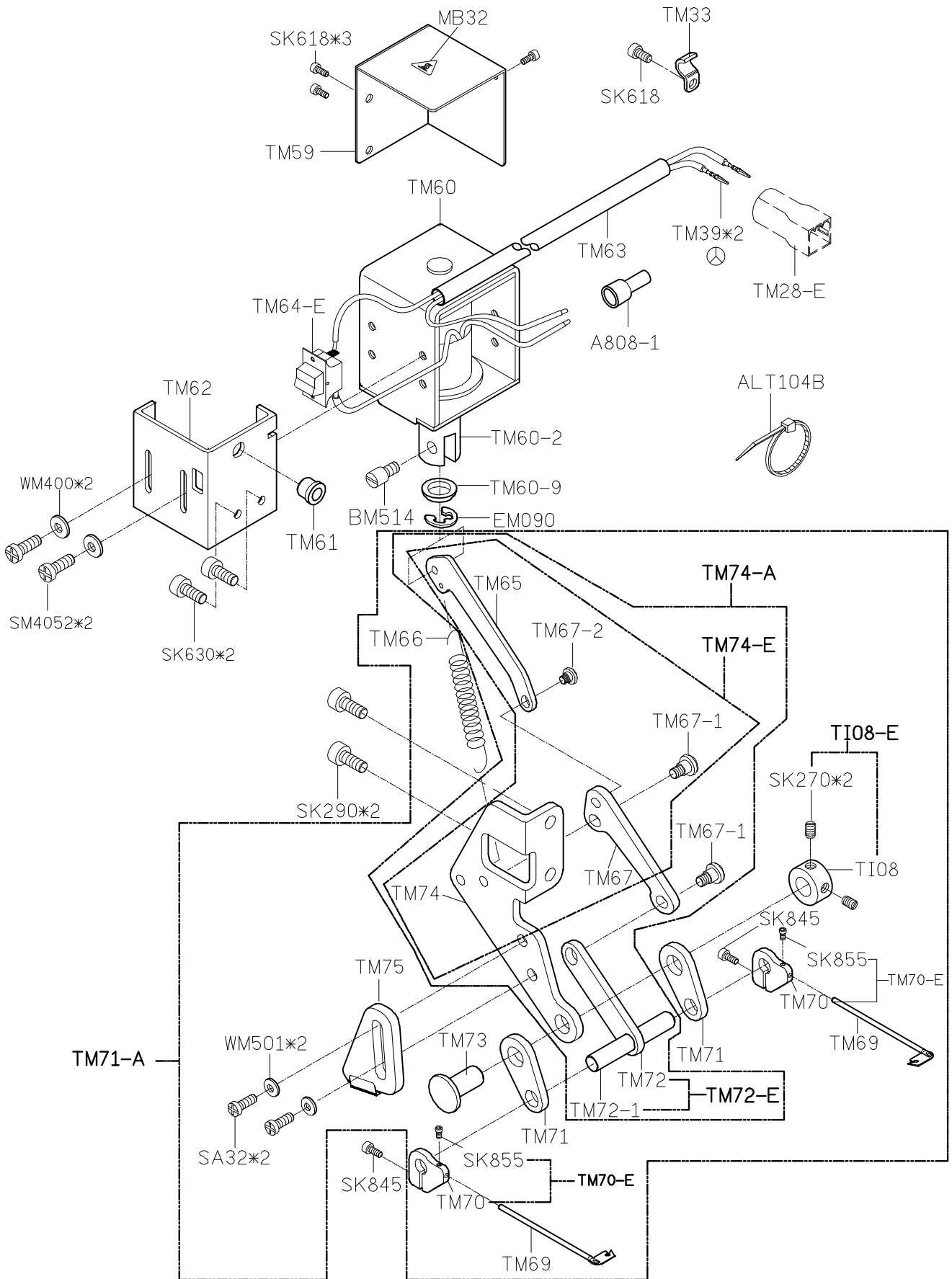
A

B

C

D

E



1

2

3

4

5

SIRUBA PARTS LIST	Series	Parts Group	Subclass / Remark	Page
	T828	TM	Air Type Auto-Lifter	6/7
				Date
				2012/09/06

YU66-A1

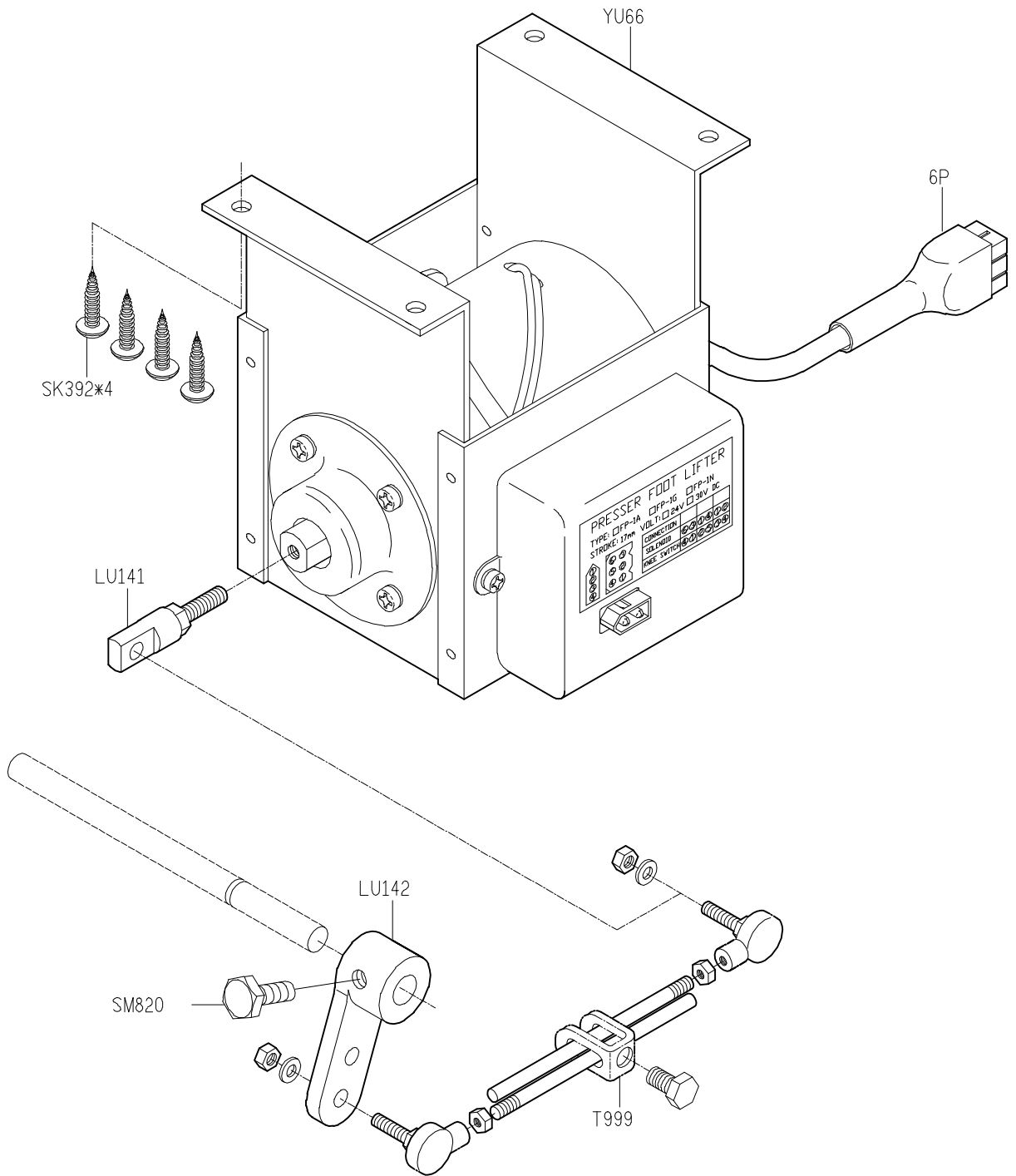
A

B

C

D

E



1

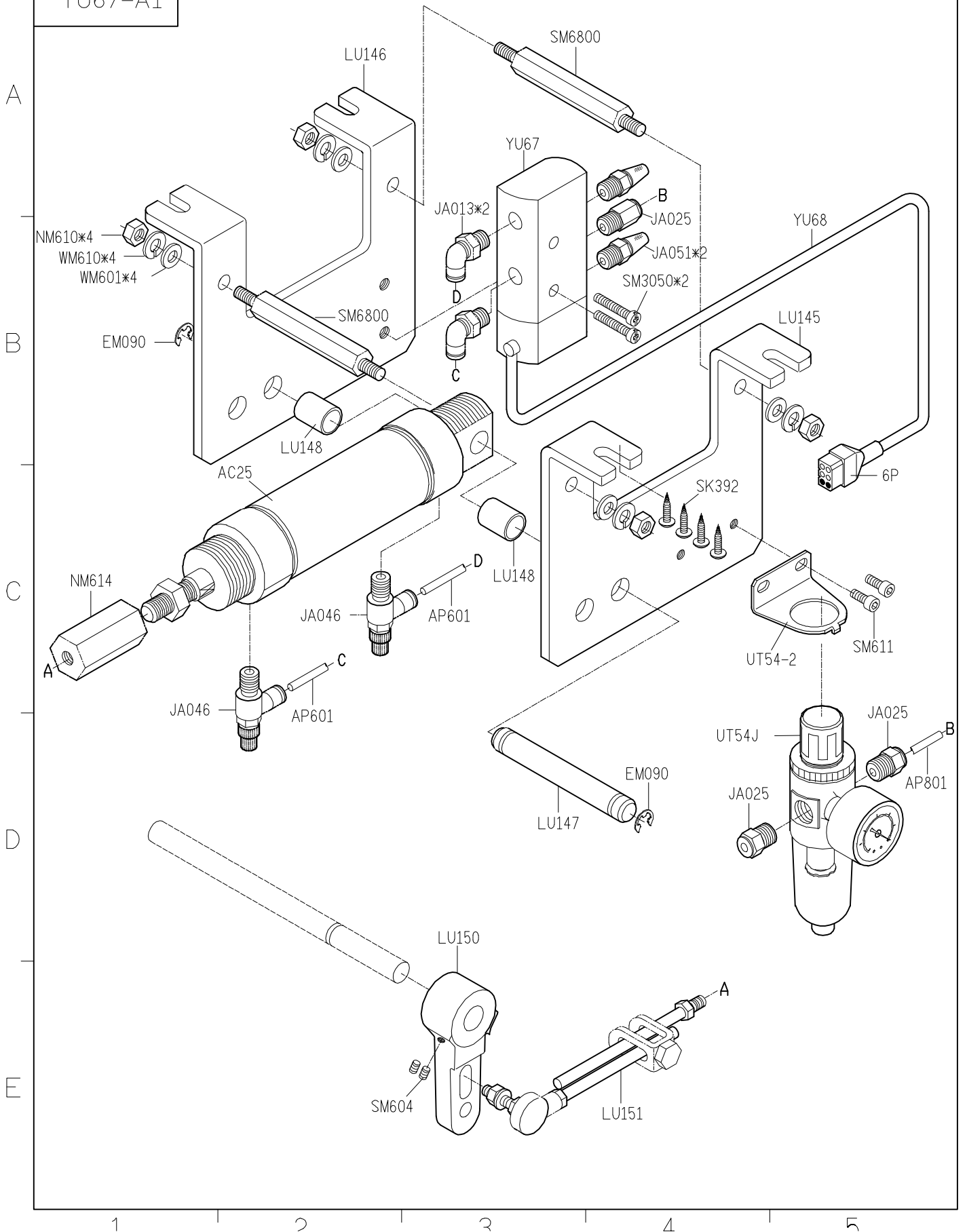
2

3

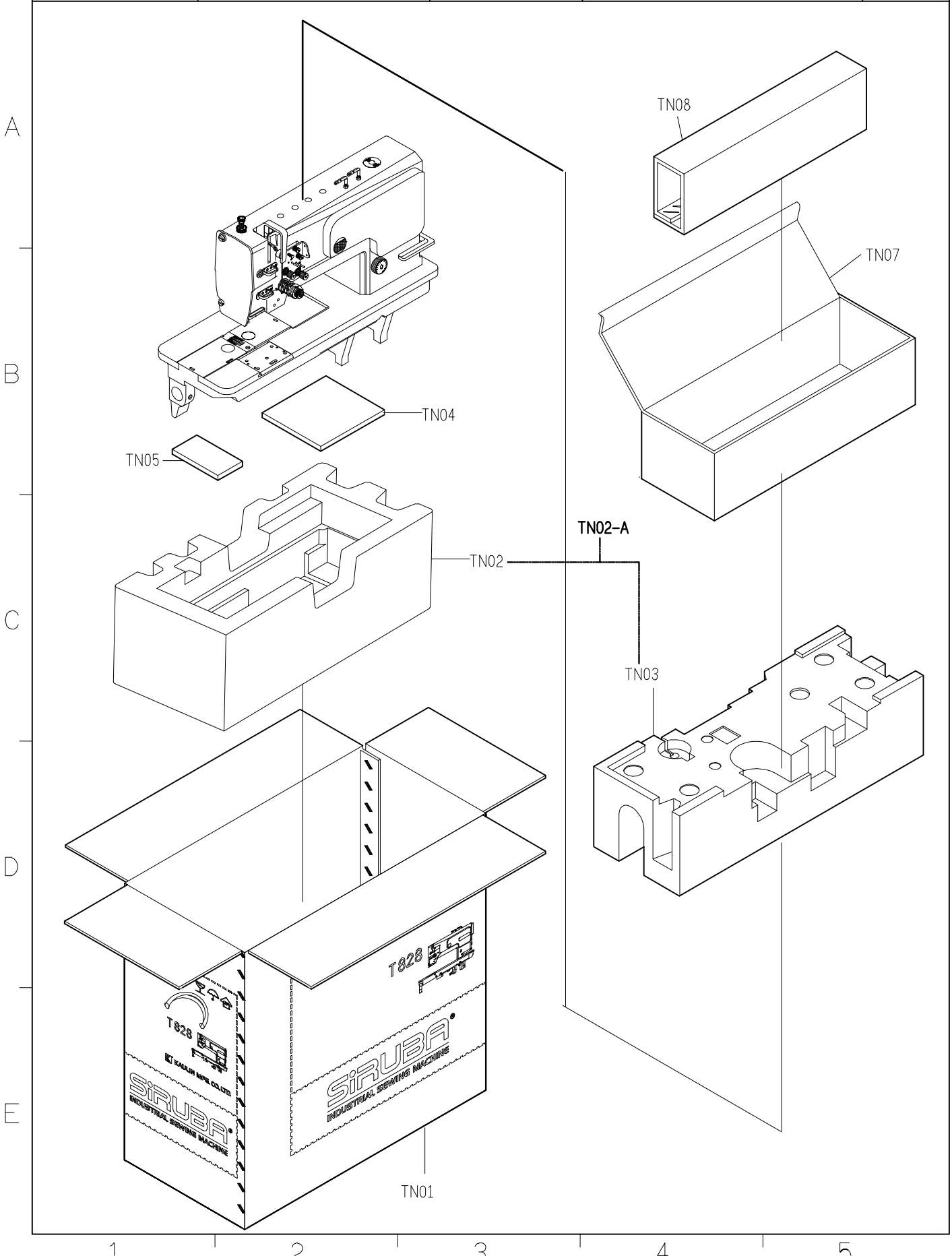
4

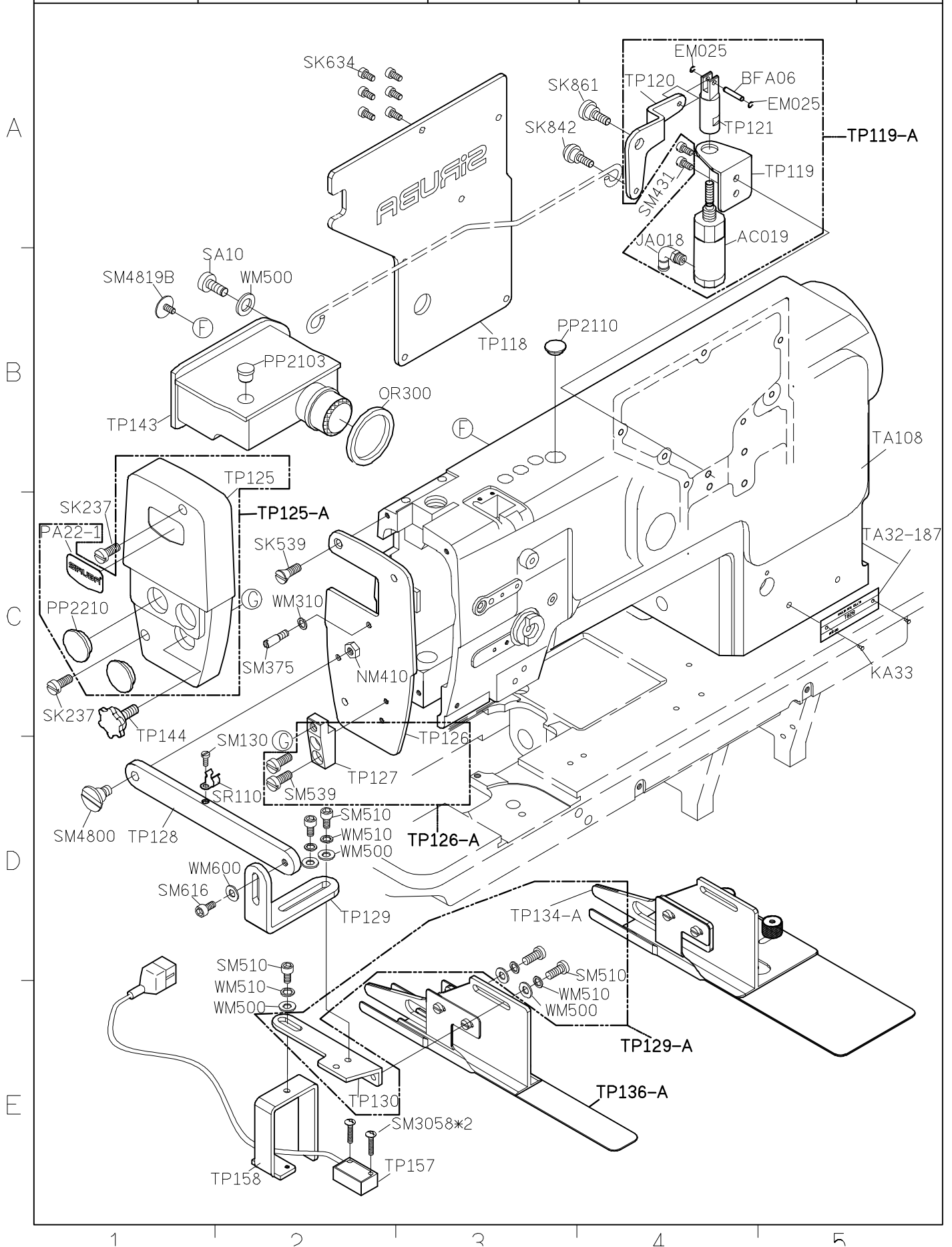
5

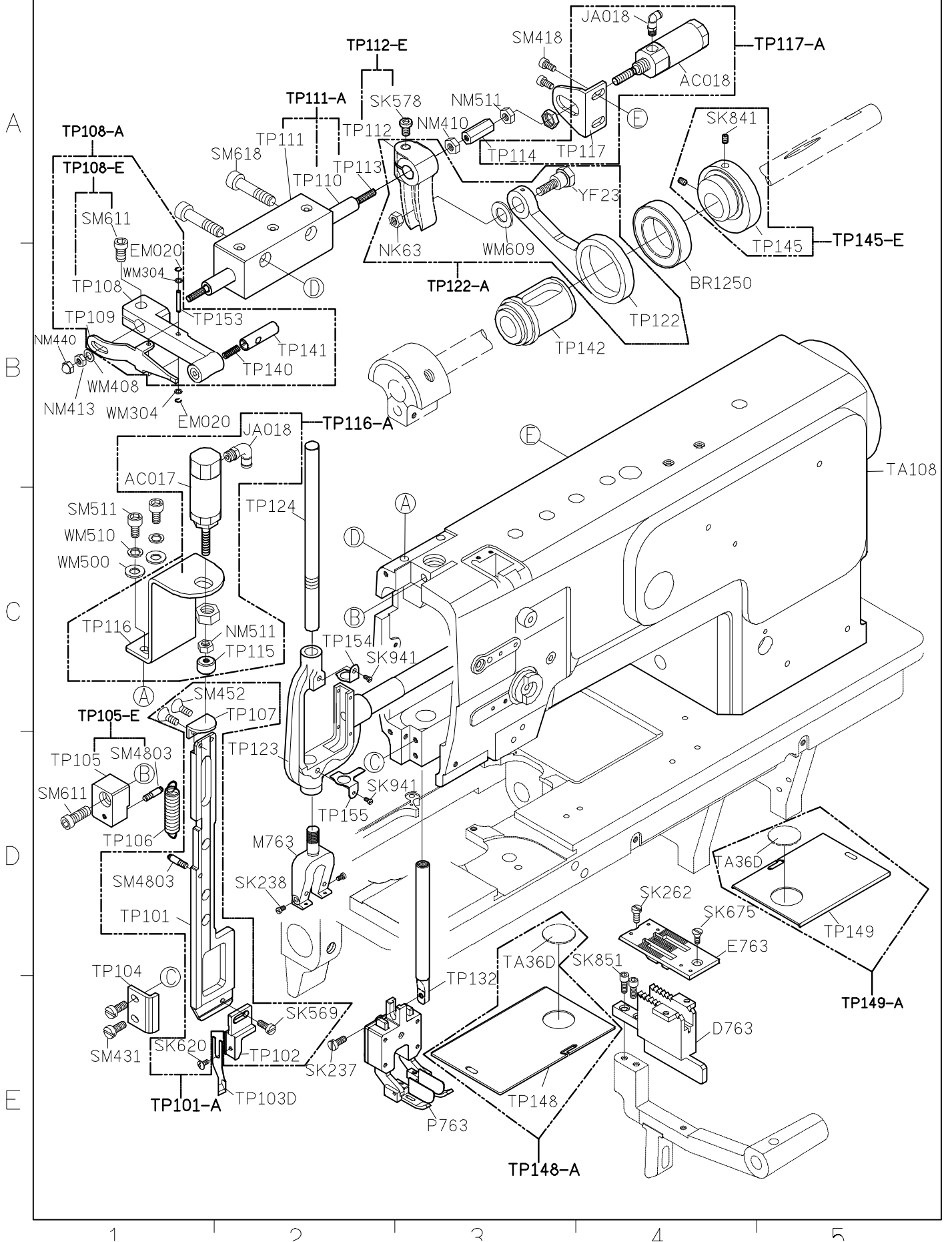
YU67-A1



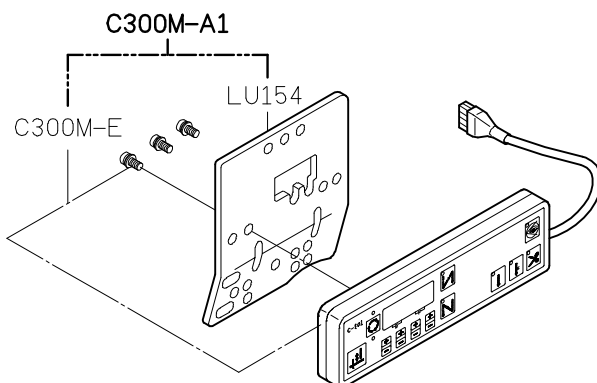
SIRUBA PARTS LIST	Series	Parts Group	Subclass / Remark	Page
	T828	TN		1/1
				Date
				2012/09/08







A

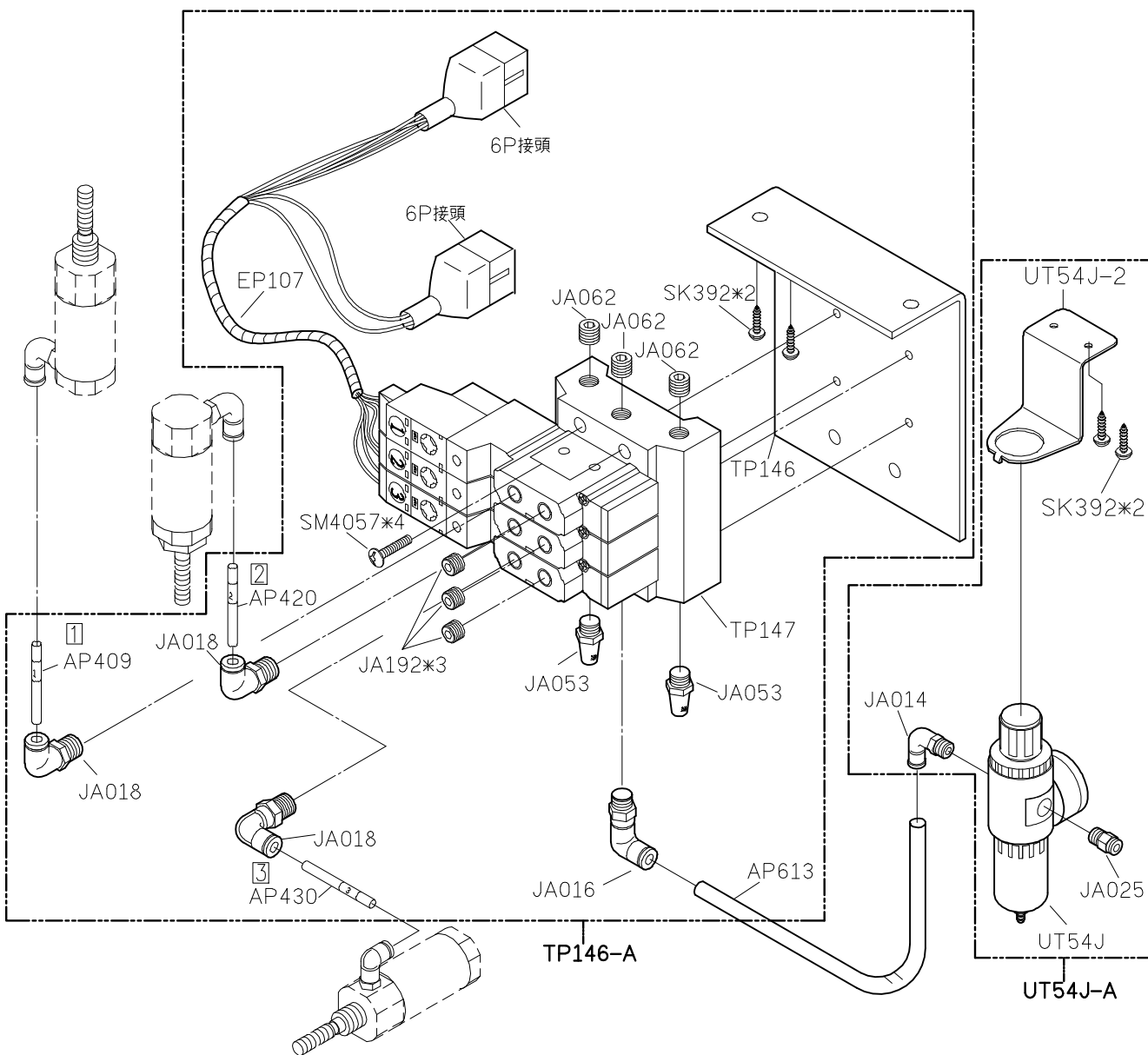


B

C

D

E



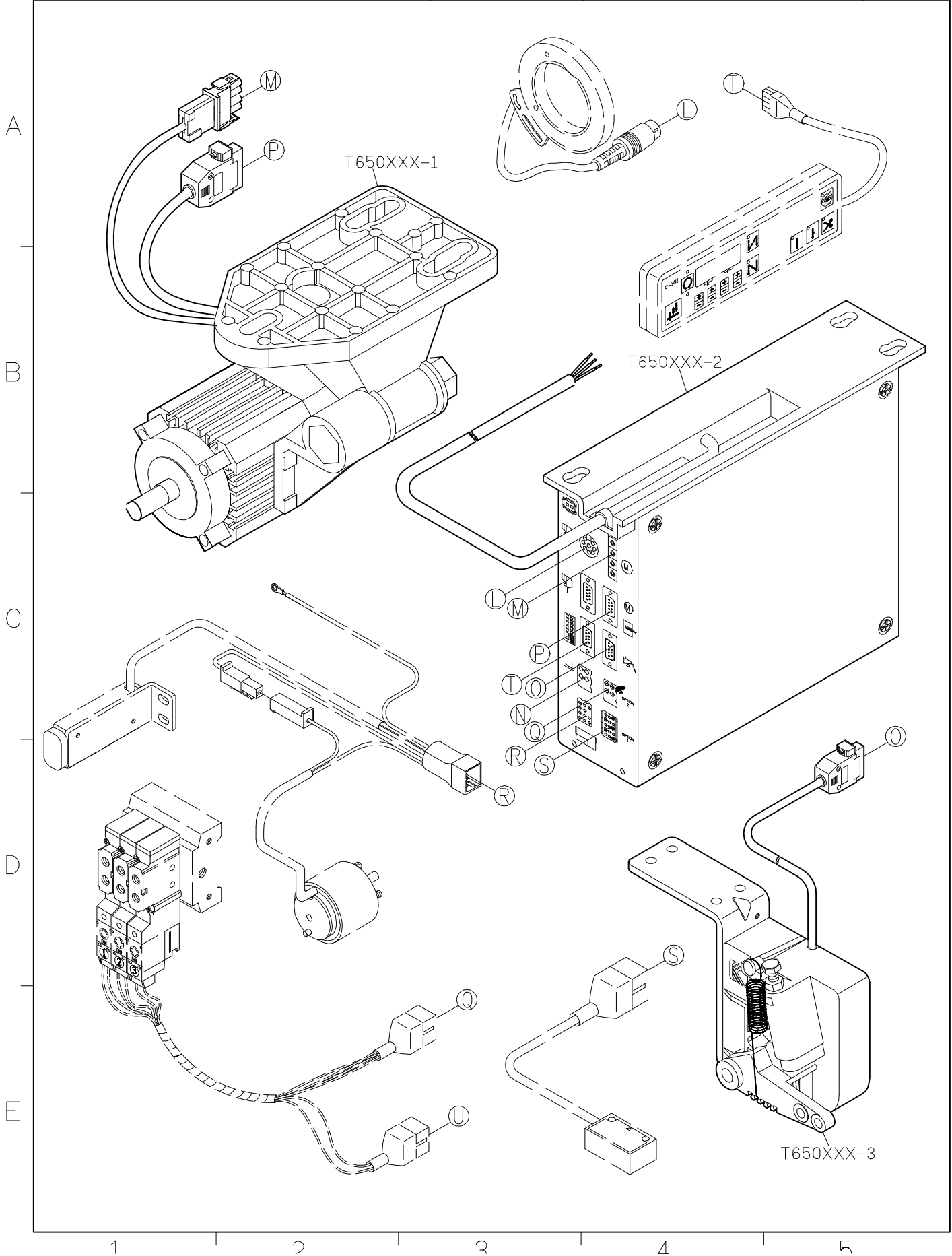
1

2

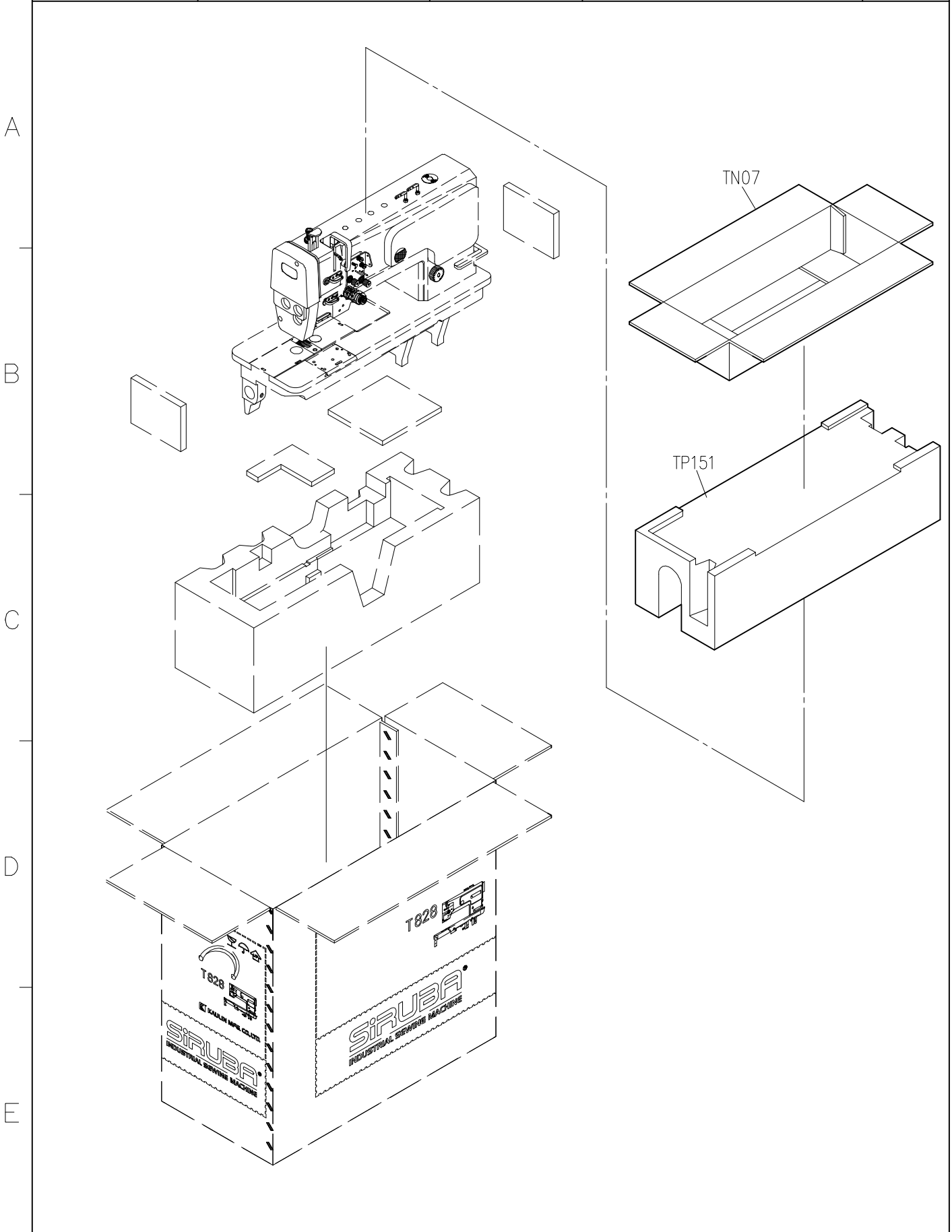
3

4

5



SIRUBA PARTS LIST	Series	Parts Group	Subclass / Remark	Page
	T828	TP		5/5
				Date
				2012/09/06



A

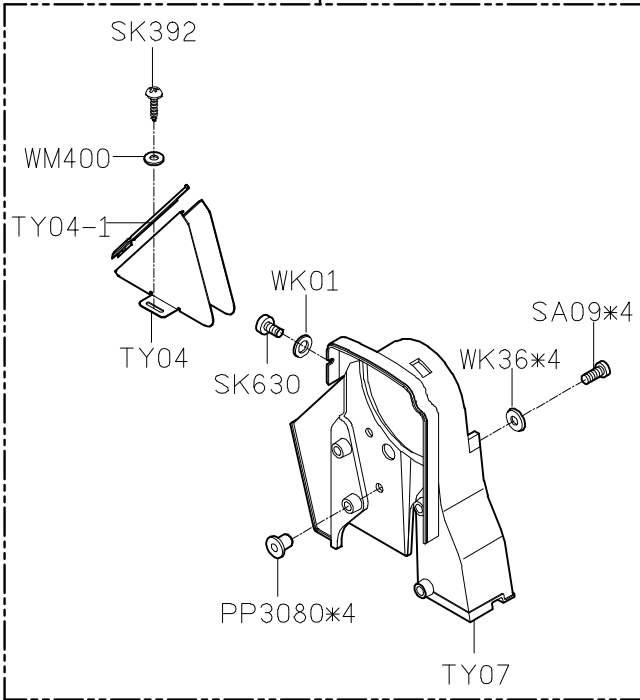
B

C

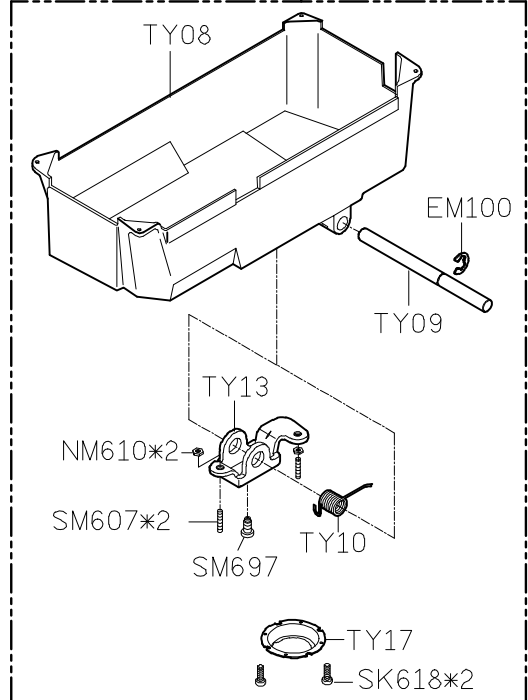
D

E

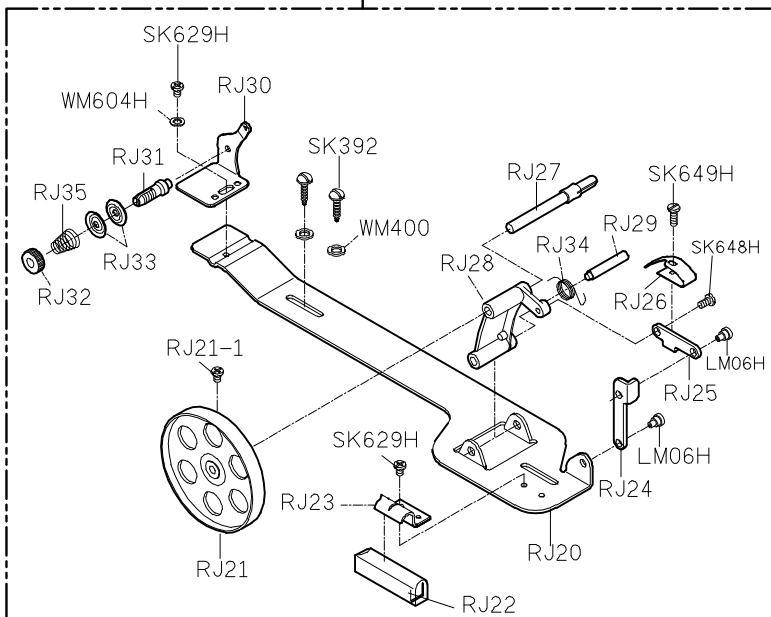
TY07-A 手輪調整



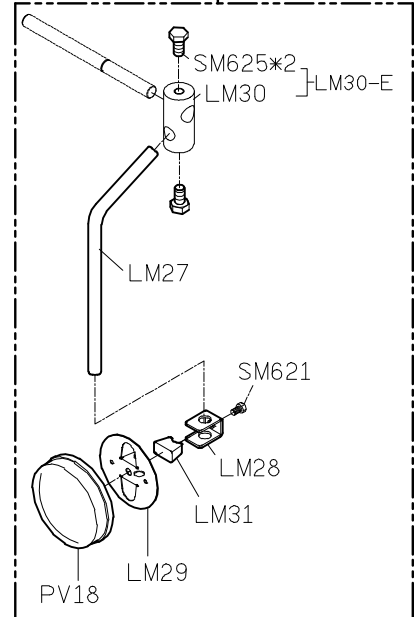
TY08-A 油盤



RJ20-A 繞線器



LM27-A 腳手



SIRUBA PARTS LIST	Series	Parts Group	Subclass / Remark	Page
	T828	TY	☆TP開袋機用	2/2
				Date
				2012/09/06

A B C D E	01 說明書	14 押具提昇軸	15*4 防震橡膠墊	16 油壺	GMY01 防塵罩
					
	MY11 六角板手	MY13 六角板手	GXXX*4 梭子	KY02F-T 油罐	KY03 油壺
					
	KY09 開口板手	KY10 六角板手	LY33 一字起子	LY34 一字起子	KY201 工具袋
					
	KZ03 乾燥劑	PY05*4 鐵釘	LY01 開口板手	LY02 木頭桿	針*4
					
	LY04*2 後鈕墊	LY05*2 後鈕	☆TP103D 切刀	TY02 零件圖	☆TP156 使用說明書
					

MODEL	T828-42		T828-45		T828-47	T828-48	T828-72		T828-75	
	M	H	M	H	L	L	M	H	M	H
PARTS NO	G307	G307	G307	G307	G307	G307	G310	G310	G310	G310
	LY34	LY34	KY14	KY14	LY34	KY14	LY34	LY34	KY14	KY14
	DPX5#14	DPX5#22	DPX5#14	DPX5#22	DPX5#11	DPX5#11	DPX5#14	DPX5#22	DPX5#14	DPX5#22

1 2 3 4 5

SIRUBA PARTS LIST	Series	Parts Group	Subclass / Remark	Page
	T828	KW		1/1
				Date
				2015/11/03

PY11-3

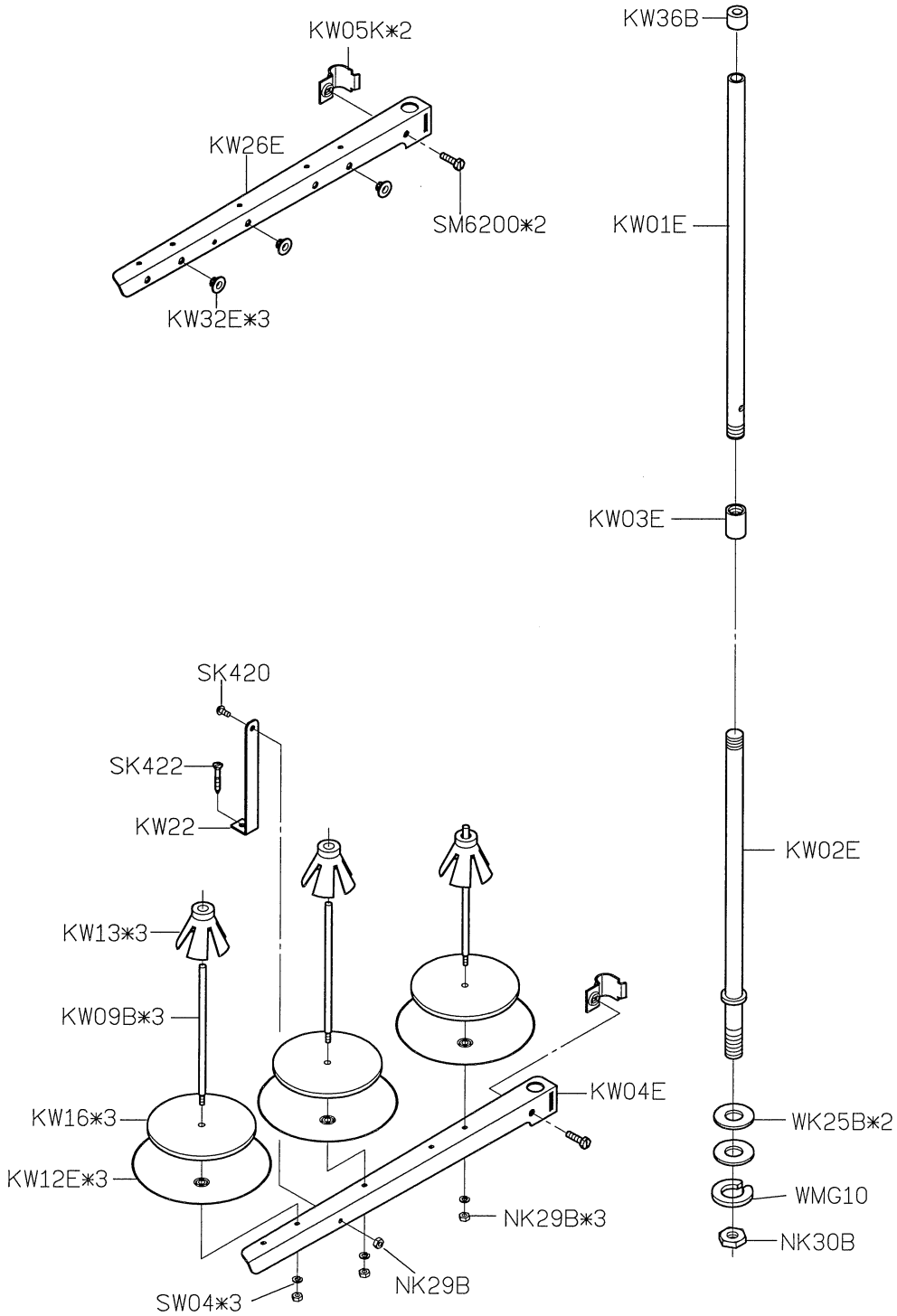
A

B

C

D

E



1

2

3

4

5

SIRUBATABLE
CUT - OUT

Series

T828

Item Code

T828-T1

Subclass Remark

Mounting

Semi-submerged

Date

2012/11/08

單位 / UNIT : mm
 所有尺寸公差 / TOLERANCE : ±2
 長度 (L) : 1070 / 重量 (W) : 10.3kg ±5%
 長度 (L) : 1200 / 重量 (W) : 11.3kg ±5%

