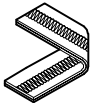
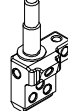
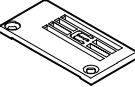
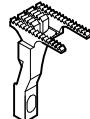

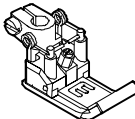
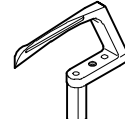


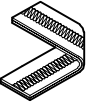
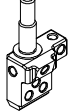
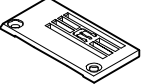
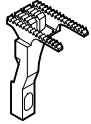
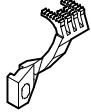
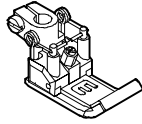



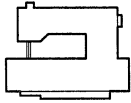
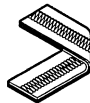
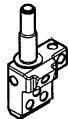
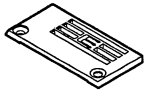

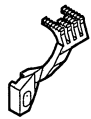
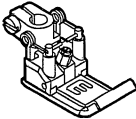
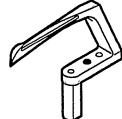



SIRUBA GAGE PARTS LIST		Series			Remark					Page	Date
		F007K / F858K F007KD / F858KD								1 / 3	2013/07/06
											
MODEL		SUB-CLASS	NEEDLE CLAMP	NEEDLE PLATE	MAIN FEED DOG	DIFF. FEED DOG	PRESSER FOOT	LOOPER	SPREADER	NEEDLE	
機 型		規 格	針 座	針 板	主送具	差送具	壓 具	勾 針	上 叉	使用針	
F007K(KD) F858K(KD)	W121/FHA	240	M5240	E1534	D1206P	H1258	P2544A-A P2545A-A P2445-A P2445-A1	ME28	MH41	UYX128GAS#10	
		248	M5248	E1535							
	W122/FHA	356	M5356	E1836	D1207P	H1259	P2544A-A P2545A-A P2445-A P2445-A1	ME28	MH41	UYX128GAS#10	
		364	M5364	E1837							
	W122/FHA/UTK	240	M5240	E1524	D1206P	H1258	P2544A-A P2545A-A P2445-A P2445-A1	ME28	MH41	UYX128GAS#10	
		248	M5248	E1525							
	U122/FP	356	M5356	E1826	D1207P	H1259	P2544A-A P2545A-A P2445-A P2445-A1	ME28	MH41	UYX128GAS#10	
364		M5364	E1827								
W123/FHA	240	M5240	E1514	D1206P	H1258	P2544A-A P2545A-A P2445-A P2445-A1	ME28	MH41	UYX128GAS#10		
	248	M5248	E1515								
	356	M5356	E1816	D1207P	H1259	P2544A-A P2545A-A P2445-A P2445-A1	ME28	MH41	UYX128GAS#10		
	364	M5364	E1817								
W162/FHA	356	M5356	E1846	D1207P	H1259	P2445-A P2445-A1	ME28A	MH41	TV*5#14~16		
	364	M5364	E1847								
W222/FQ	232	M5232	E3023	D1215	H1261	P1813K-A	ME28	MH41	UYX128GAS#10		
	240	M5240	E3024	D1215	H1261	P1814K-A					
	248	M5248	E3025	D1215	H1261	P1815K-A					
	356	M5356	E3326	D1216	H1262	P2116K-A					
	364	M5364	E3327	D1216	H1262	P2117K-A					

SIRUBA MODEL COMPARE LIST		Series			Remark					Page	Date
		F007K / F858K F007KD / F858KD								2/3	2013/07/06
											
MODEL		SUB-CLASS	NEEDLE CLAMP	NEEDLE PLATE	MAIN FEED DOG	DIFF. FEED DOG	PRESSER FOOT	LOOPER	SPREADER	NEEDLE	
機 型		規 格	針 座	針 板	主送具	差送具	壓 具	勾 針	上 叉	使用針	
F007K(KD) F858K(KD)	U222/FQ	240	M5240	E3024	D1215	H1261	P2314K-A	ME28	—	UYX128GAS#10	
		248	M5248	E3025	D1215	H1261	P2315K-A				
		356	M5356	E3326	D1216	H1262	P2616K-A				
		364	M5364	E3327	D1216	H1262	P2617K-A				
F007K F858K	W222/FFD(FFP)	240	M5240	E3024	D1215	H1261	P1814K-A	ME28	MH41	UYX128GAS#10	
		248	M5248	E3025	D1215	H1261	P1815K-A				
	U222/FFD(FFP)	356	M5356	E3326	D1216	H1262	P2116K-A	ME28	—	UYX128GAS#10	
		364	M5364	E3327	D1216	H1262	P2117K-A				
W222/FSM	240-4	M5240P	E3724	D1516	H1262	P2714-A	ME28	—	UYX128GAS#10		
	248-4	M5248P	E3725			P2715-A					
364-4	M5364P	E3727	P2717-A								
F007K(KD) F858K(KD)	W322/FDC	356	M5356	E4826K	D1207P	H1359K	P2445-A	ME28	MH41	UYX128GAS#10	
	364	M5364	E4827K			P2445-A1					
	W322/FDE	356	M5356	E4836K	D1207P	H1459-E	P2445-A	ME28	MH41	UYX128GAS#10	
		364	M5364	E4837K			P2445-A1				
F007K F858K	W512/FFC(FE)	240	M5240	E1524	D1206P	H1258	P2914-A	ME28	MH41	UYX128GAS#10	
		248	M5248	E1525	D1206P	H1258	P2915-A				
	U512/FFC(FE)	356	M5356	E1826	D1207P	H1259	P3216-A	ME28	—	UYX128GAS#10	
		364	M5364	E1827	D1207P	H1259	P3217-A				
240	M5240	E1524	D1206P	H1258	P3414-A	ME28	—	UYX128GAS#10			
248	M5248	E1525	D1206P	H1258	P3415-A						
356	M5356	E1826	D1207P	H1259	P3716-A						
364	M5364	E1827	D1207P	H1259	P3717-A						

SIRUBA GAGE PARTS LIST		Series			Remark					Page	Date
		F007K / F858K F007KD / F858KD								3 / 3	2015/12/21
											
MODEL		SUB-CLASS	NEEDLE CLAMP	NEEDLE PLATE	MAIN FEED DOG	DIFF. FEED DOG	PRESSER FOOT	LOOPER	SPREADER	NEEDLE	
機 型		規 格	針 座	針 板	主送具	差送具	壓 具	勾 針	上 叉	使用針	
F007K(KD) F858K(KD)	W522/FR	232 240 248 356 364	M5232 M5240 M5248 M5356 M5364	E6023 E6024 E6025 E6326 E6327	D2221 D2221 D2221 D2222 D2222	H2267K H2267K H2267K H2268K H2268K	P2813K-A1 P2814K-A1 P2815K-A1 P3116K-A1 P3117K-A1	ME28	MH41	UYX128GAS#10	
	W522/FR/FQS	232 240 248	M5232 M5240 M5248	E6023R E6024R E6025R	D2221	H2267R	P1813R-A P1814R-A P1815R-A	ME28	MH41	UYX128GAS#10	
	U613/FBP	256 264	M5356 M5364	E1836L E1837L	D1207P	H1259	P4000-A P4001-A	ME28	—	TVX5#14~18	
	U712	264	M5264	E5827	D5207	H5259	P4117-A	FS03/04	—	DVX43#11~16	
	U712/FSP	264	M5264	E5827	D5207	H5259	P5117-A (成品寬10mm用)	FS03/04	—	DVX43#11~16	
	U712/FSR	264	M5264	E5927	D5307	H5359	P4217-A	FS03/04	—	DVX43#12~14	
	U712/FSS	496 4111	M5496 M5411	E5496 E5411	D5411	H5411	P5120-A1 (成品寬12mm用) P5121-A1 (成品寬14mm用)	FS03/04	—	UYX128GAS#10	
	U712A/FSP	264	M5264	E5827	D5207	H5259	P5118-A (成品寬12mm用)	FS03/04	—	DVX43#11~16	
	W722/FY	388	M4388	E6828	D6207	H6259	P6117-A	FS03/04 /FY02	FY09	TV*7#12	
	W922/FW(FWP)-5	456 460 464	M5456K M5460K M5464K	E1828Q E1838Q E1848Q	D1207Q	H1259Q	P2428K-A P2438K-A P2448K-A	FW28D	MH41	SM1014B#10 (MY1014B#70, SY7256)	
W922/FW(FWP)-4	452 456 460 464	M5452 M5456 M5460 M5464	E1818 E1828 E1838 E1848	D1207P	H1259	P2418P-A P2428P-A P2438P-A P2448P-A	FW28D	MH41	SM1014B#10 (MY1014B#70, SY7256)		

SIRUBA

PARTS LIST

Series

**F007K/F007KD
F858K/F858KD**

Parts Group

MA-K

Subclass / Remark

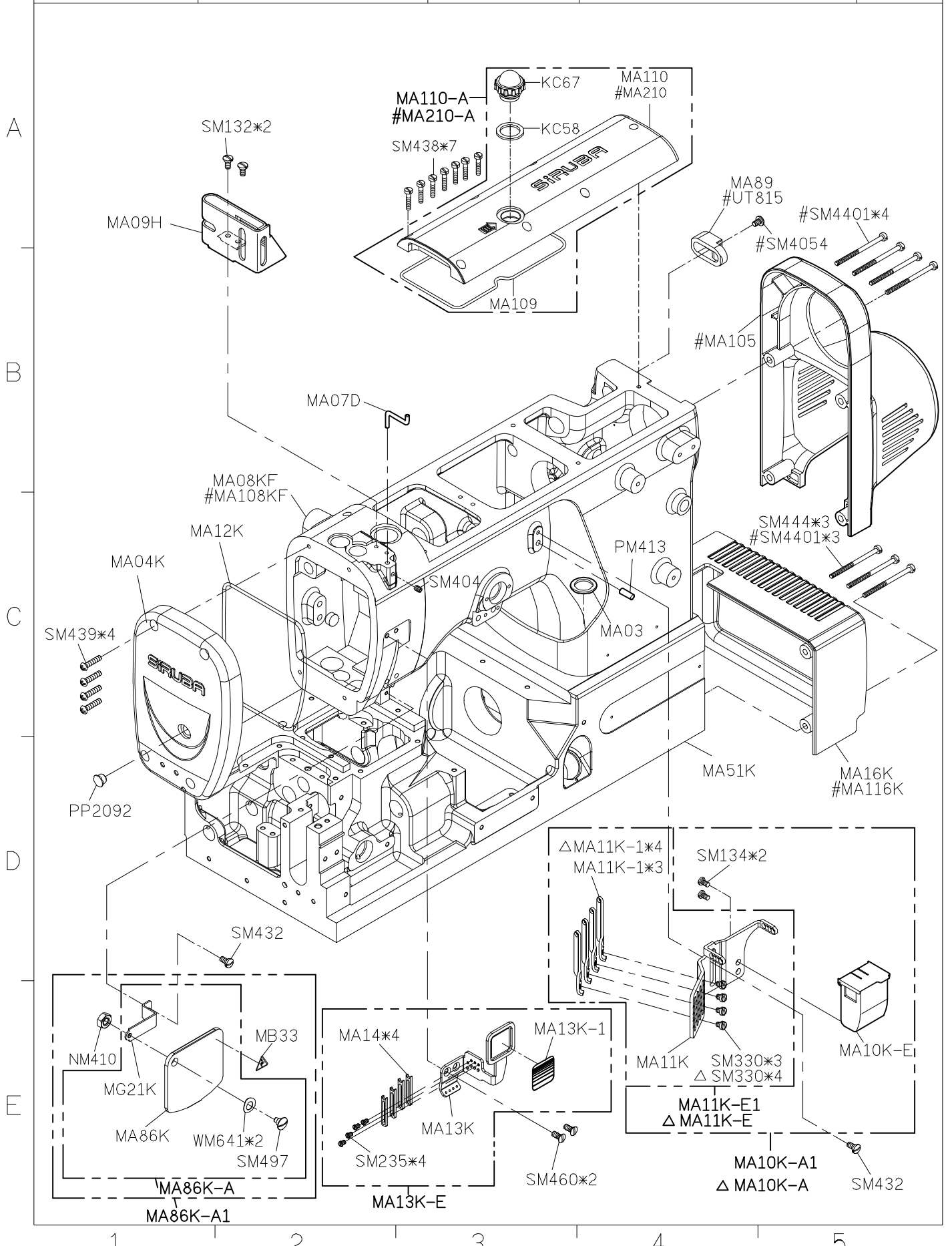
:Use for F007KD/F858KD
△ :Use for FW/FWP/FSM

Page

1/2

Date

2015/01/13



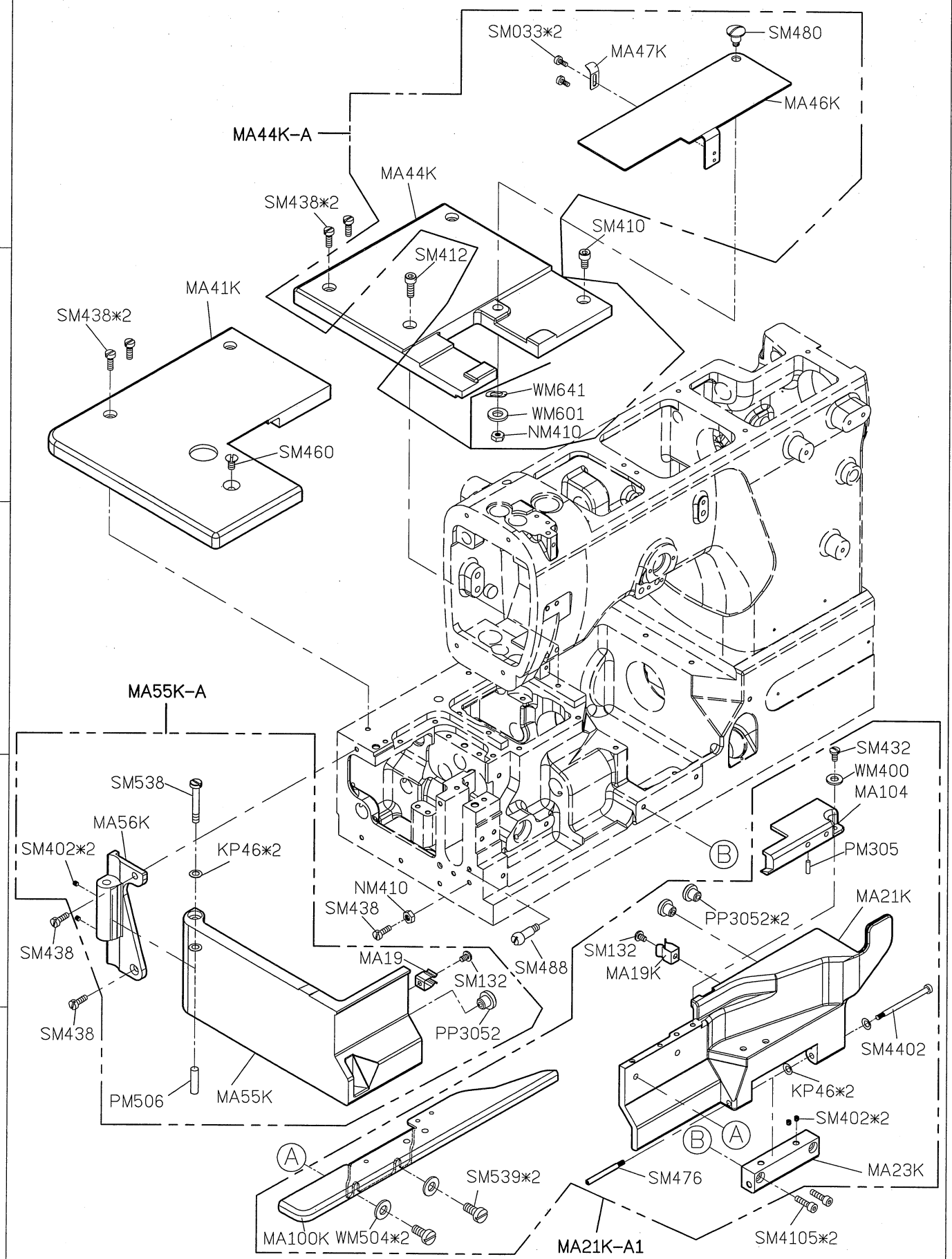
A

B

C

D

E



1

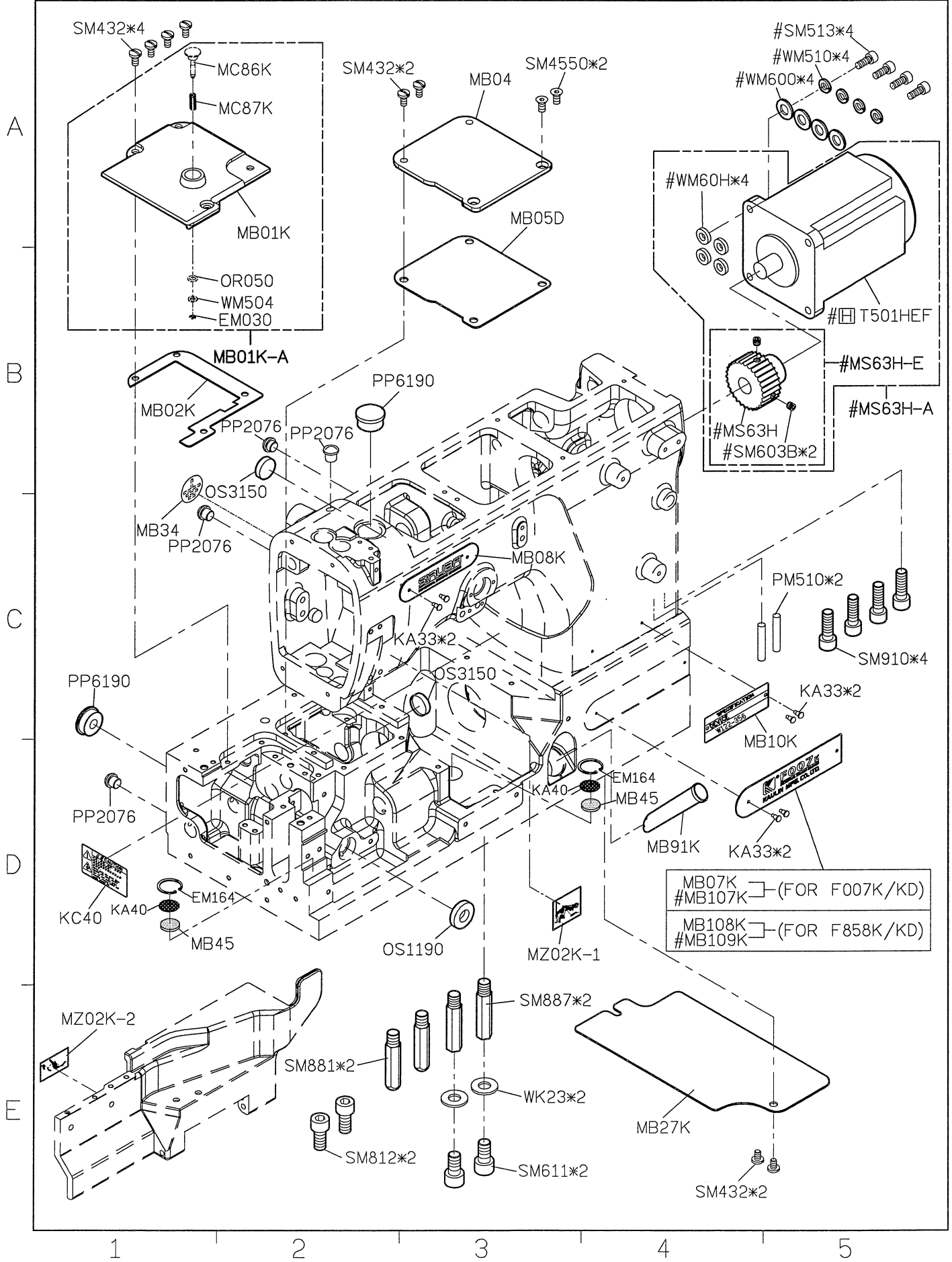
2

3

4

5

SIRUBA PARTS LIST	Series	Parts Group	Subclass / Remark	Page
	F007K/F007KD F858K/F858KD	MB-K	# : Use for F007KD/F858KD	1/1
				Date
				2015/12/08



SIRUBA

PARTS LIST

Series
F007K/F007KD
F858K/F858KD

Parts Group
MC-K

Subclass / Remark

Page

1/2

Date

2013/01/21

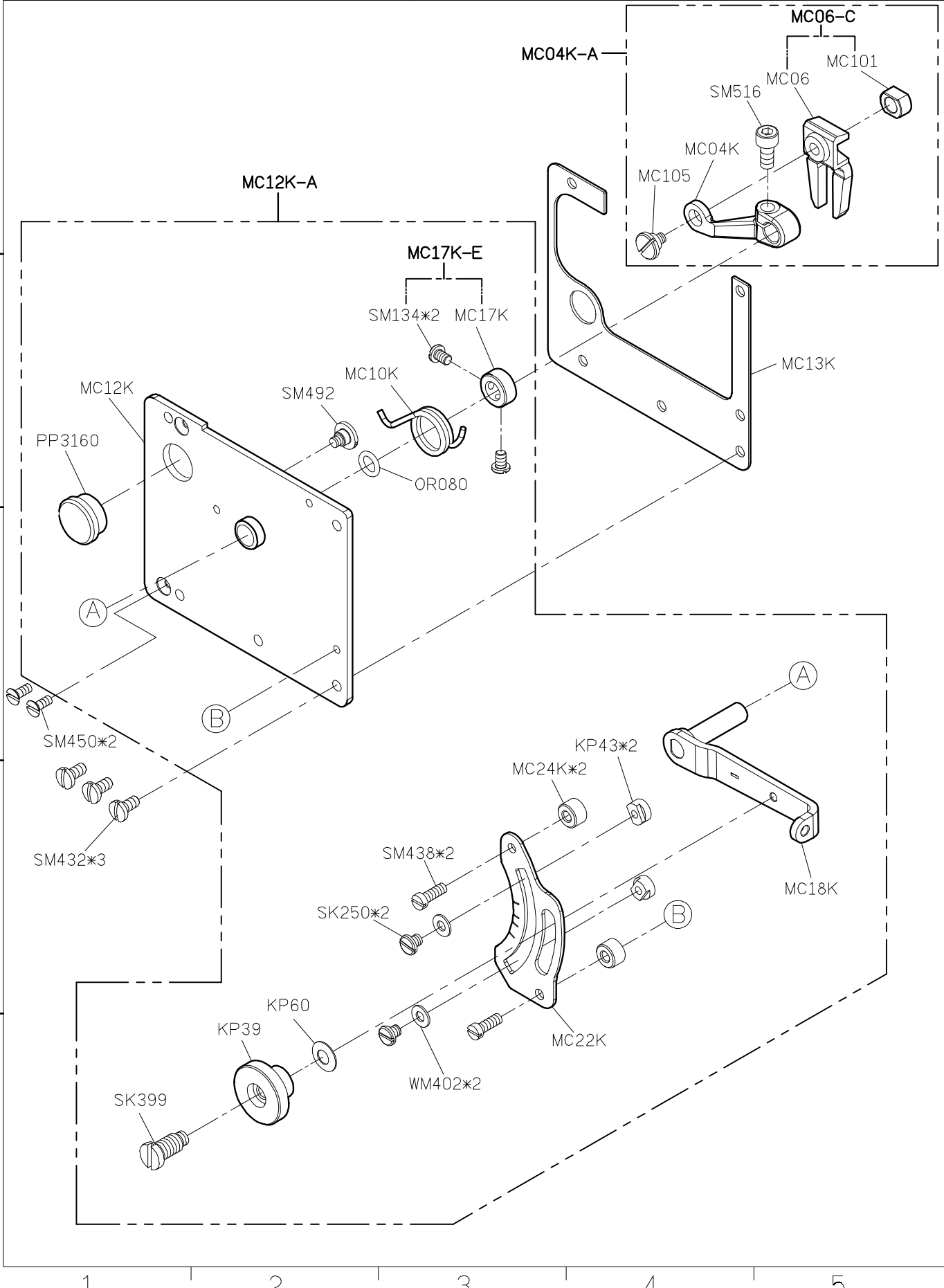
A

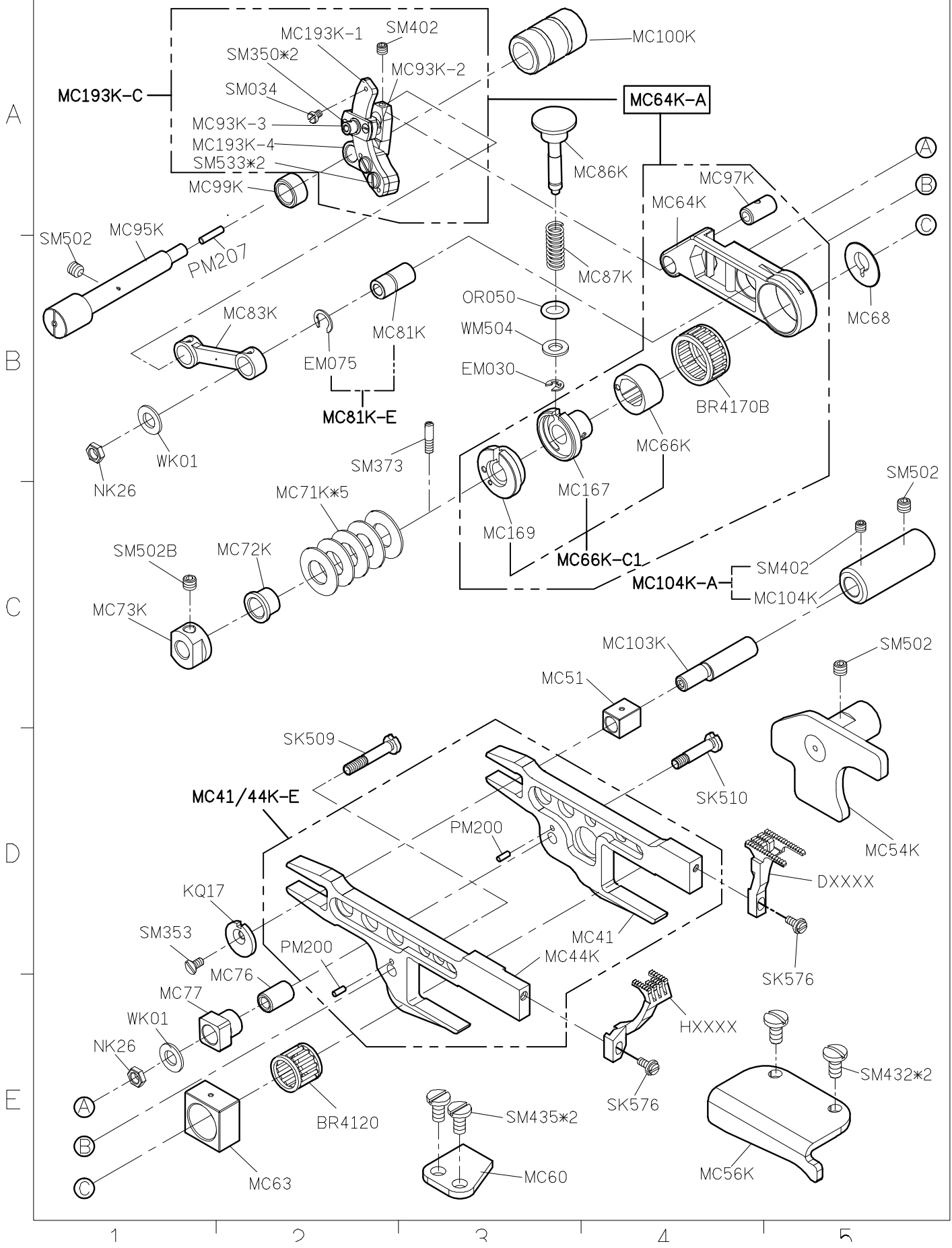
B

C

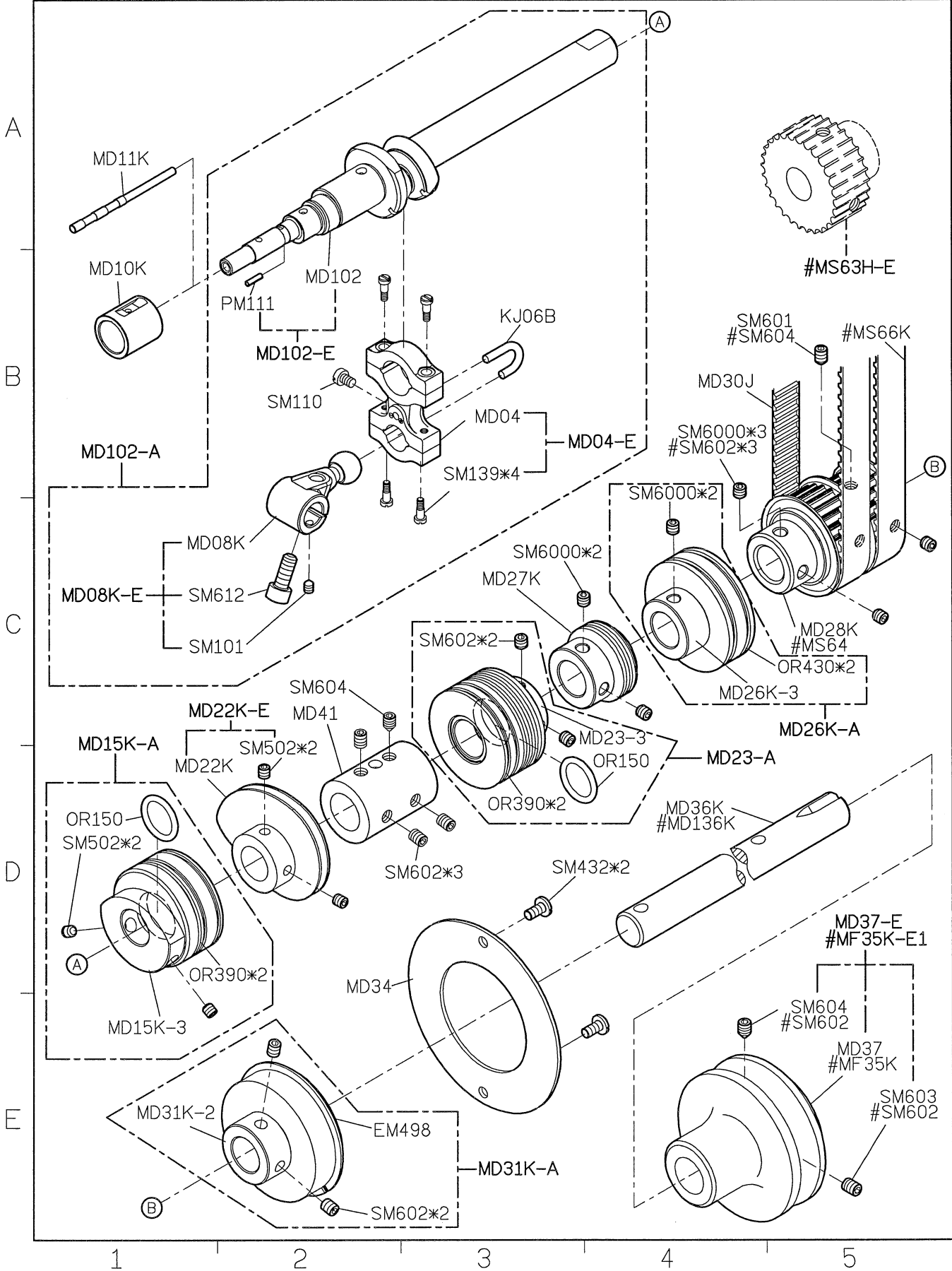
D

E





SIRUBA PARTS LIST	Series	Parts Group	Subclass / Remark	Page
	F007K/F007KD	MD-K	#: Use for F007KD/F858KD	1/1
	F858K/F858KD			Date
				2015/11/27



SIRUBA

PARTS LIST

Series
F007K/F007KD
F858K/F858KD

Parts Group
ME-K

Subclass / Remark

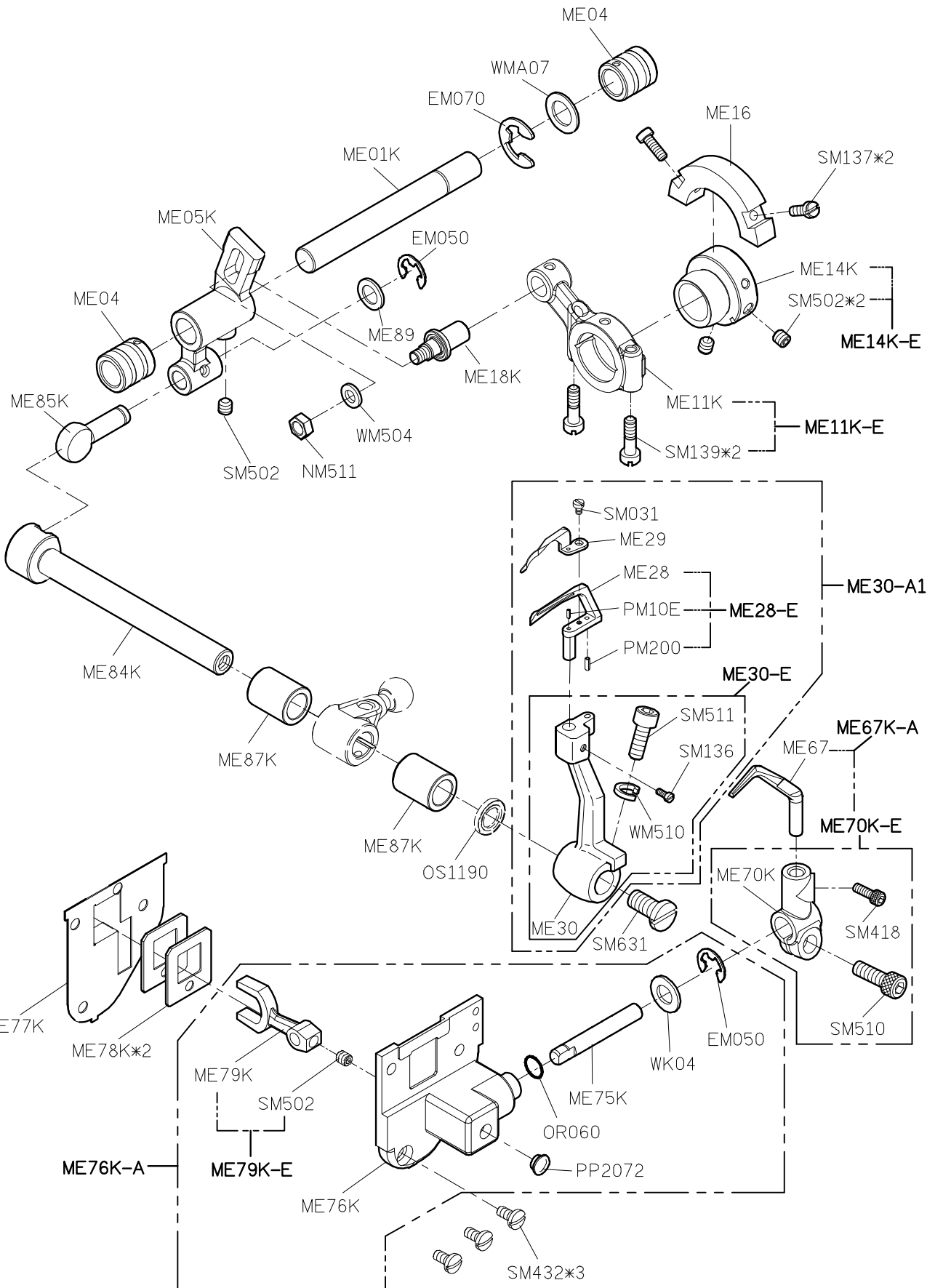
Page

1/1

Date

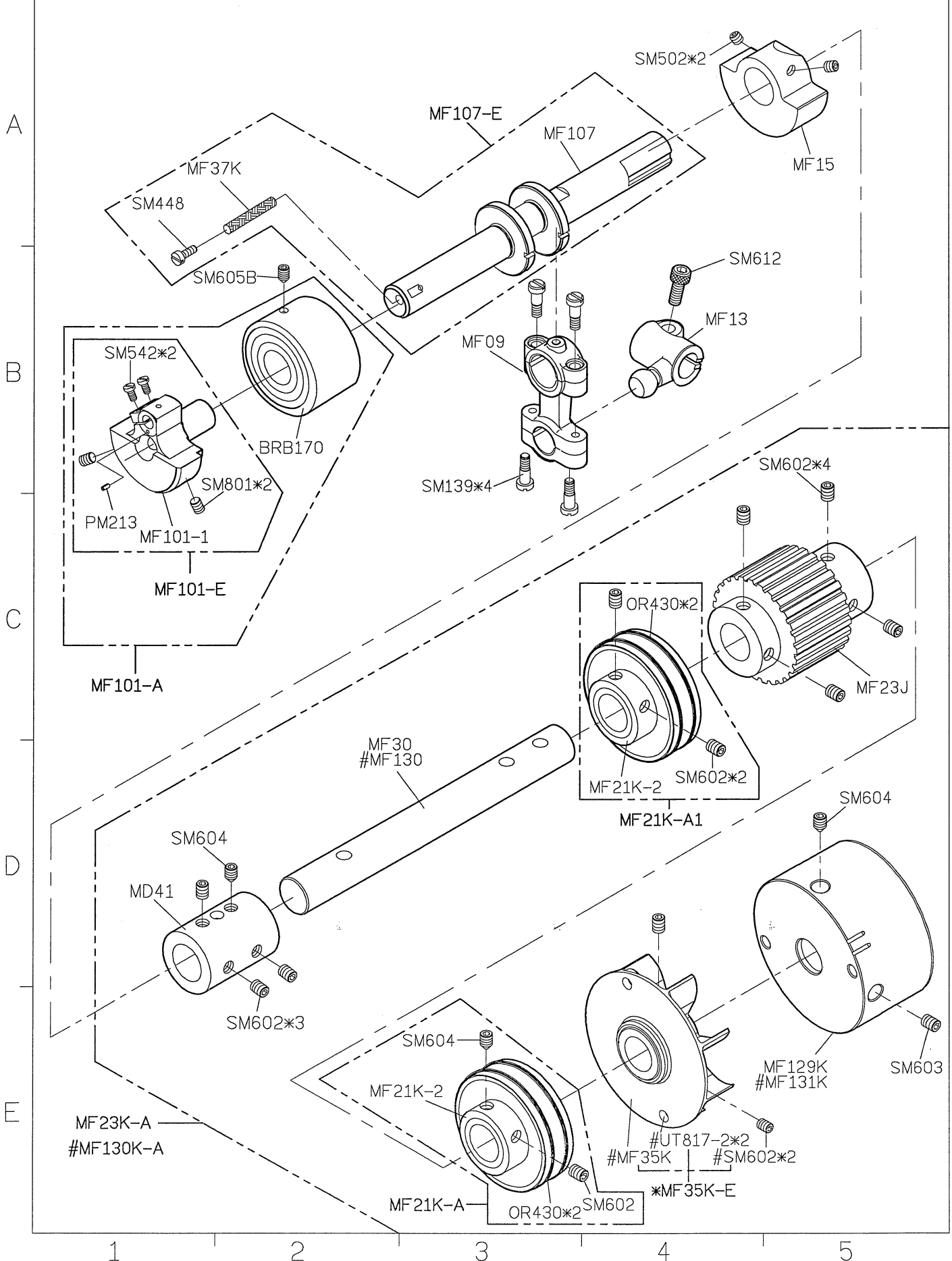
2012/10/31

A
B
C
D
E

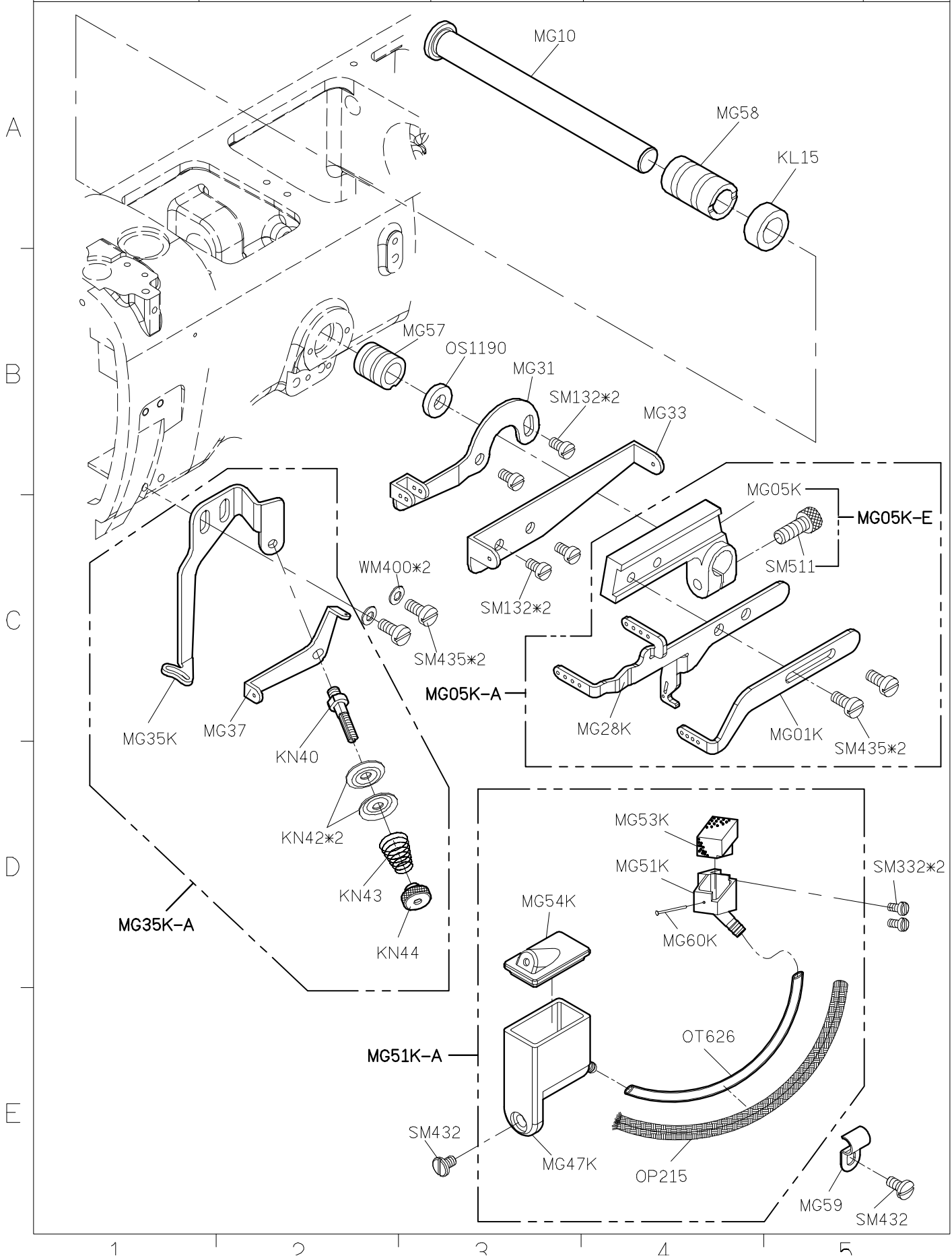


1 2 2 4 5

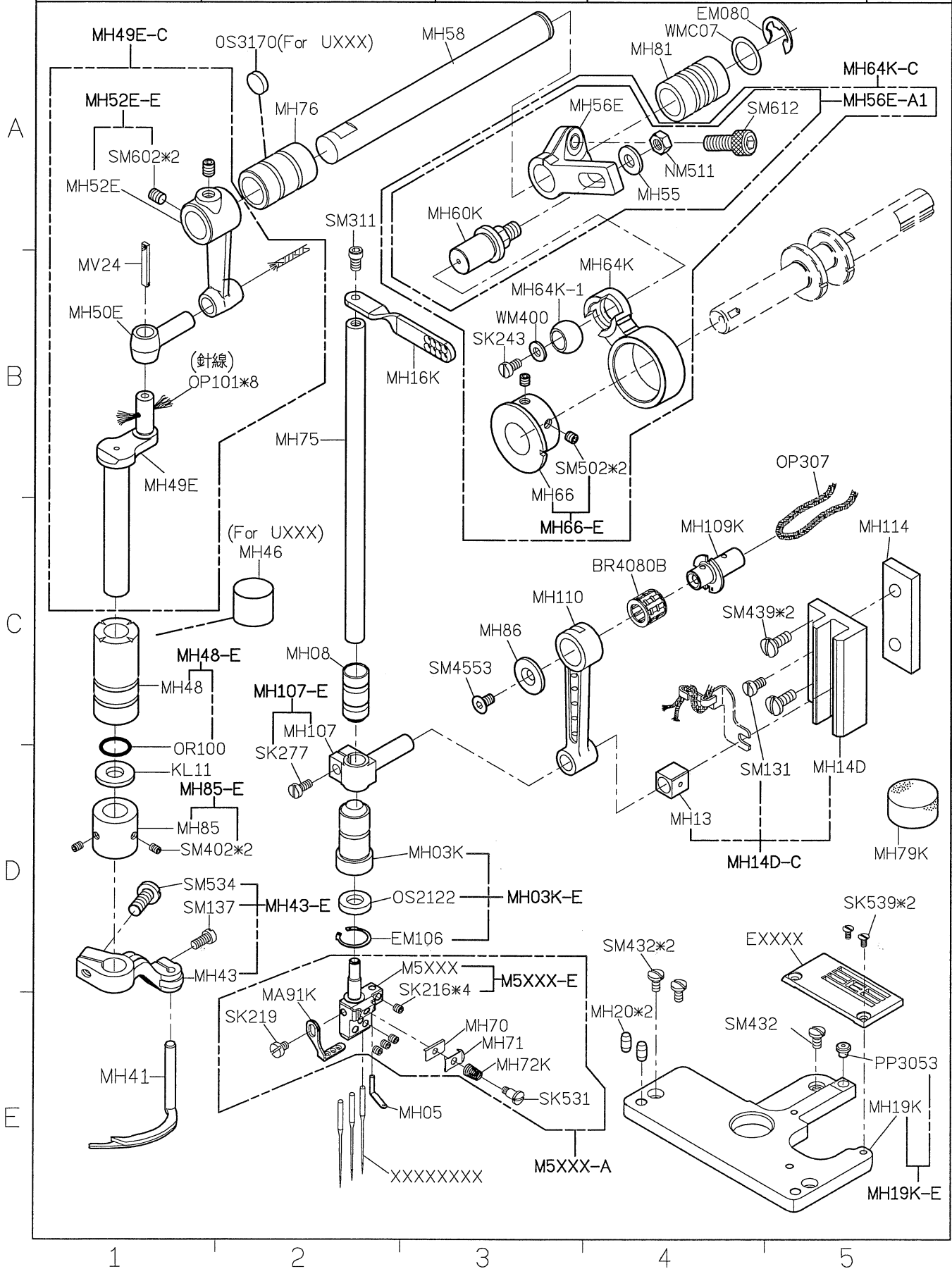
SIRUBA PARTS LIST	Series	Parts Group	Subclass / Remark	Page
	F007K/F007KD	MF-K	# :Use for F007KD/F858KD	1/1
	F858K/F858KD			Date
				2016/01/22

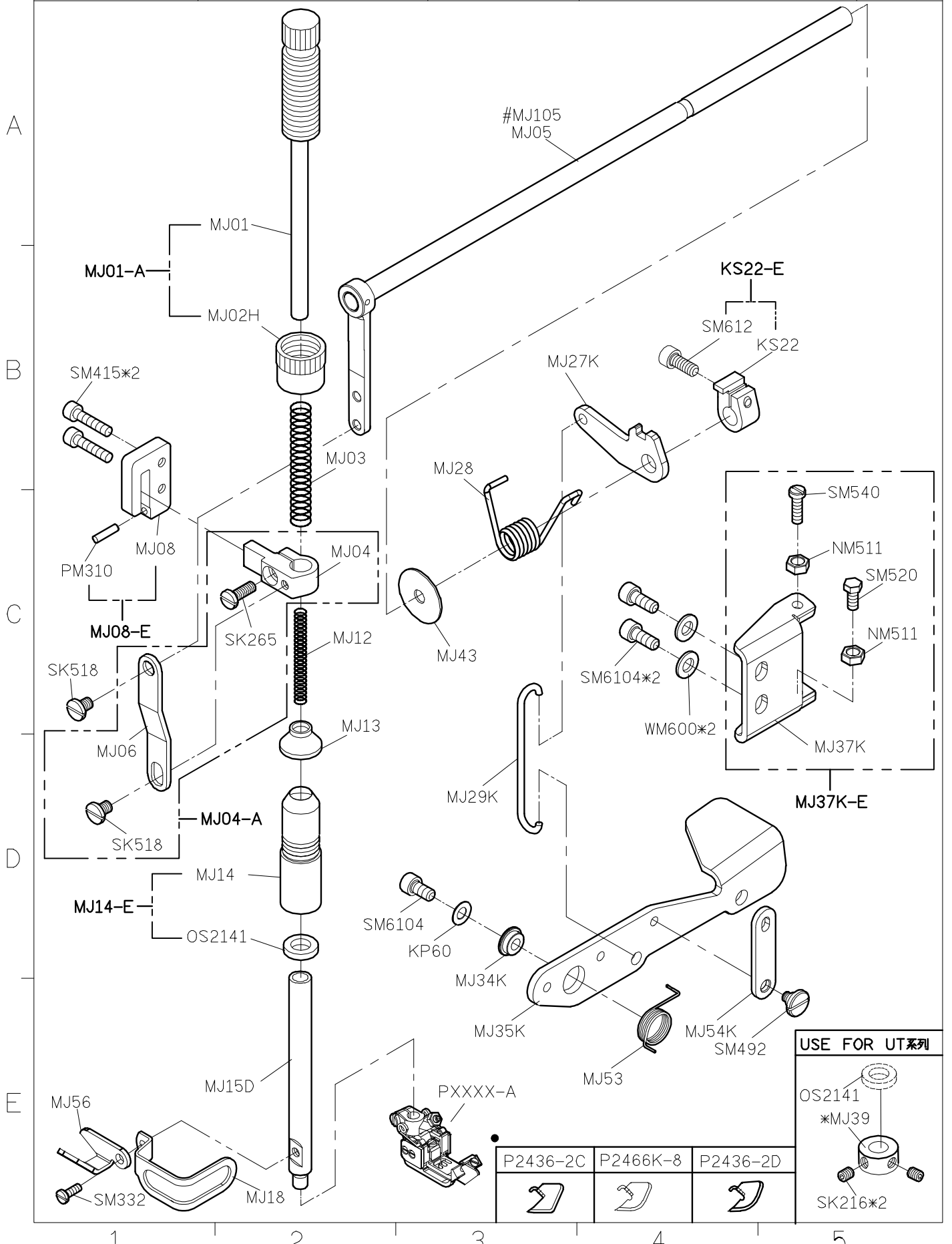


SIRUBA PARTS LIST	Series	Parts Group	Subclass / Remark	Page
	F007K/F007KD	MG-K		1/1
	F858K/F858KD			Date
				2012/10/31



SIRUBA PARTS LIST	Series	Parts Group	Subclass / Remark	Page
	F007K/F007KD F858K/F858KD	MH-K		1/1
				Date
				2016/01/22





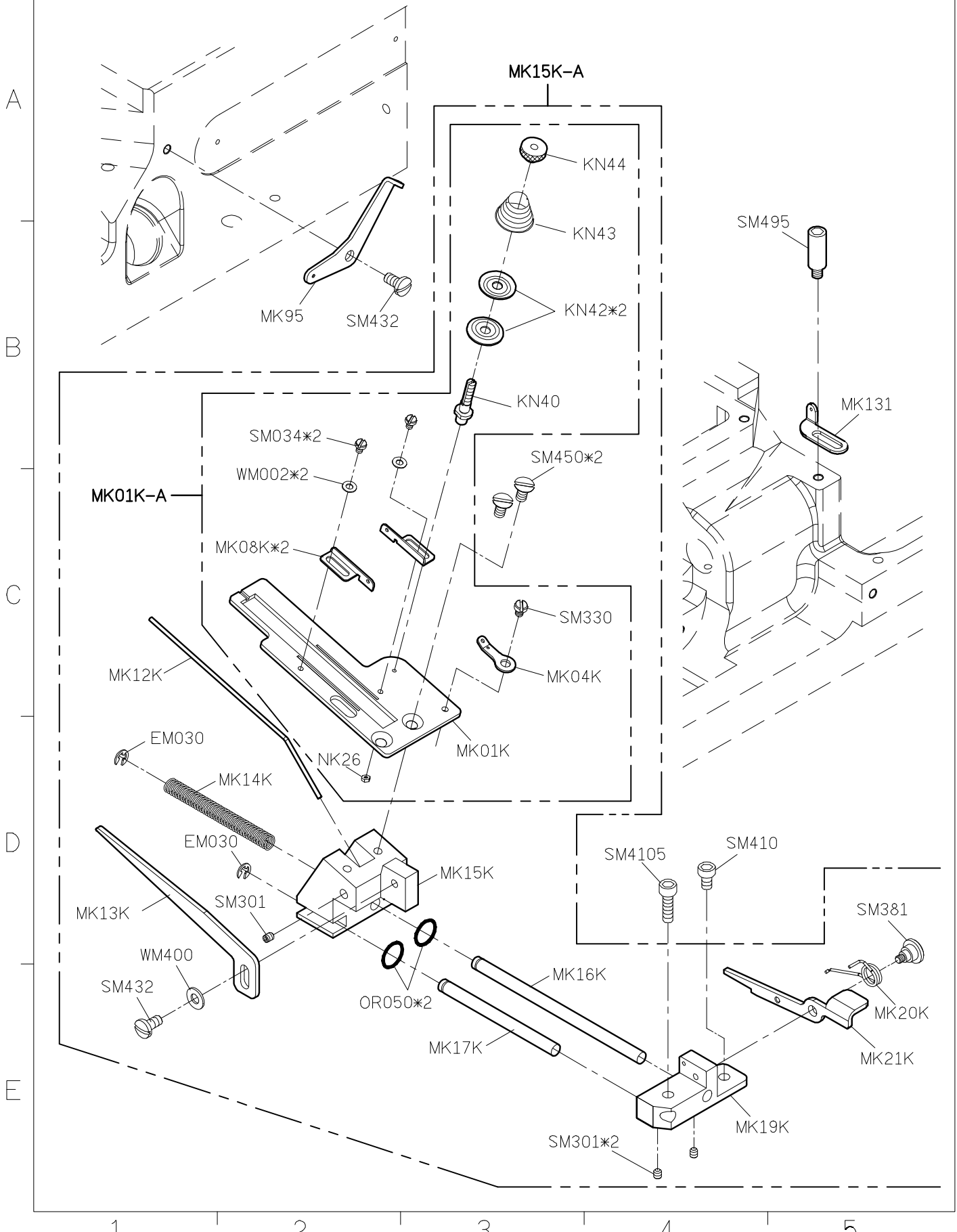
1

2

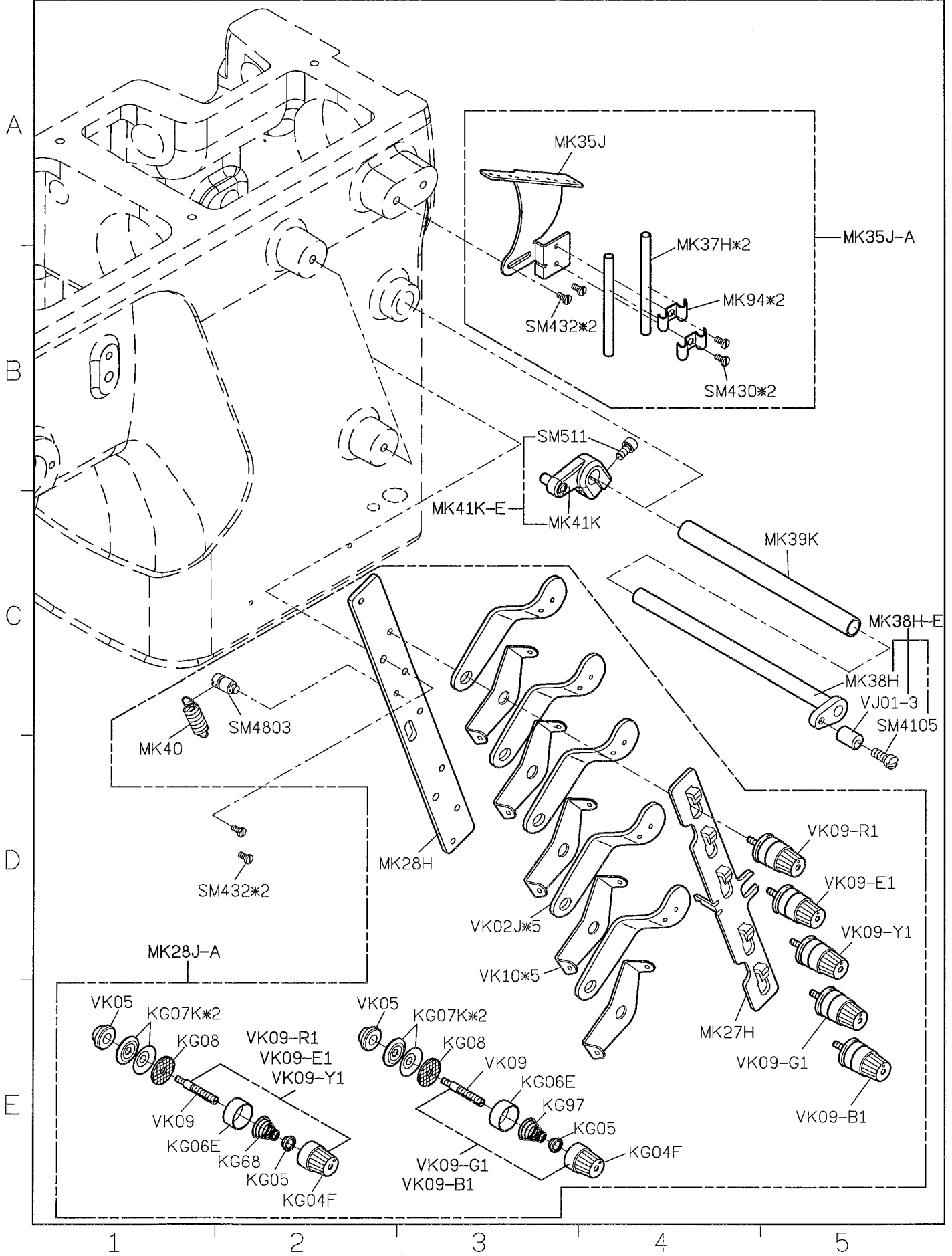
3

4

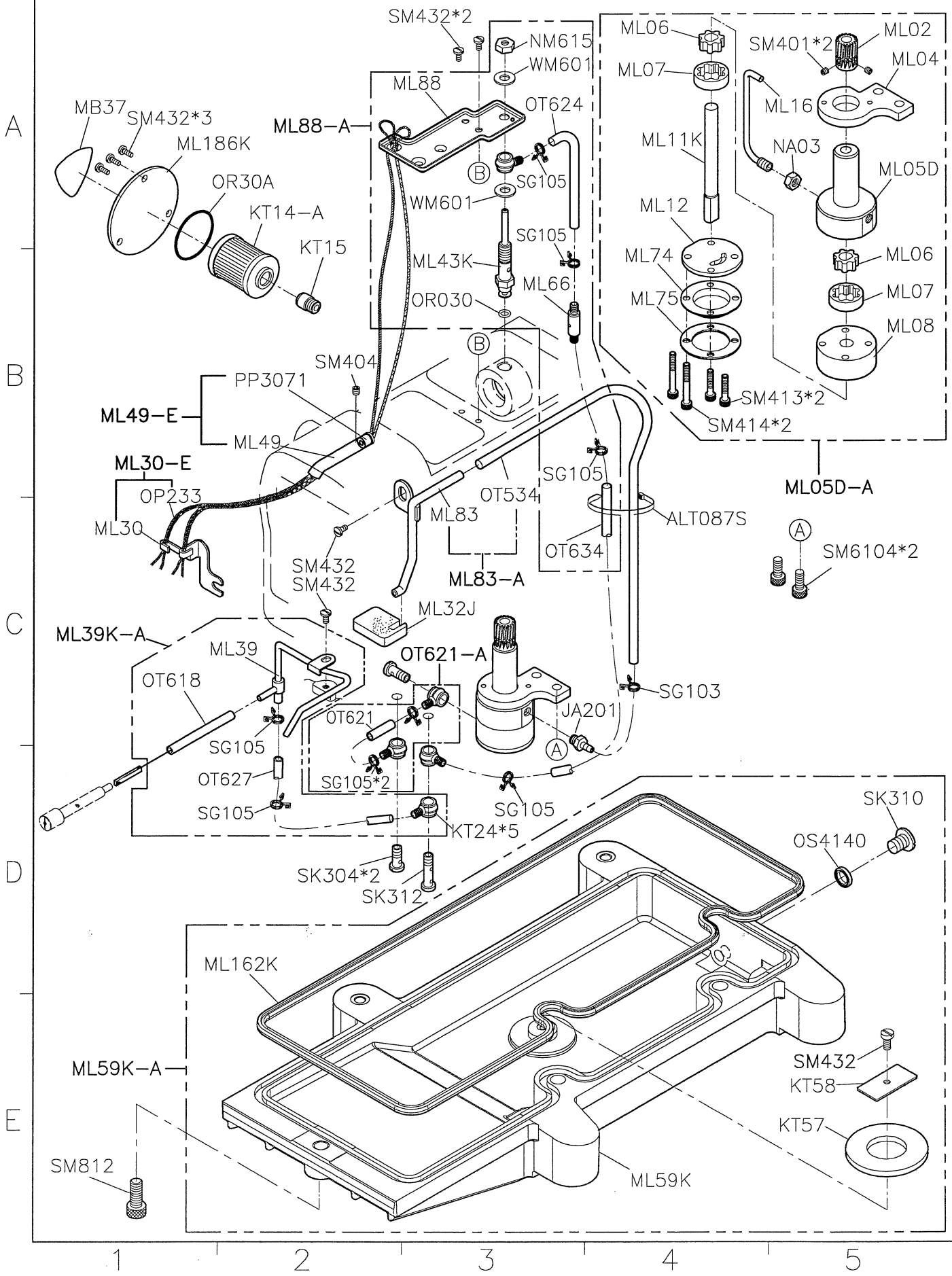
5



SIRUBA PARTS LIST	Series	Parts Group	Subclass / Remark	Page
	F007K/F007KD	MK-K		2/2
	F858K/F858KD			Date
				2015/12/03



SIRUBA PARTS LIST	Series	Parts Group	Subclass / Remark	Page
	F007K/F007KD	ML-K		1/1
	F858K/F858KD			Date
				2016/01/22



SIRUBA

PARTS LIST

Series

**F007K/F007KD
F858K/F858KD**

Parts Group

MN-K

Subclass / Remark

Page

1/2

Date

2012/10/31

Semi-submerged

A

B

C

D

E

F007K-T
F007K-T1(FR)

KX05*4

MN02K-E

SM531*2

MN17*4

MN14-A

MN09

MN12

MN12-E*4

MN02K*2

MN15

KX08*4

MN13*4

MN16*4

KX08*4

MN14*4

KX206*3

TXXXXX-A
POWER CONTROL
BOX COMB

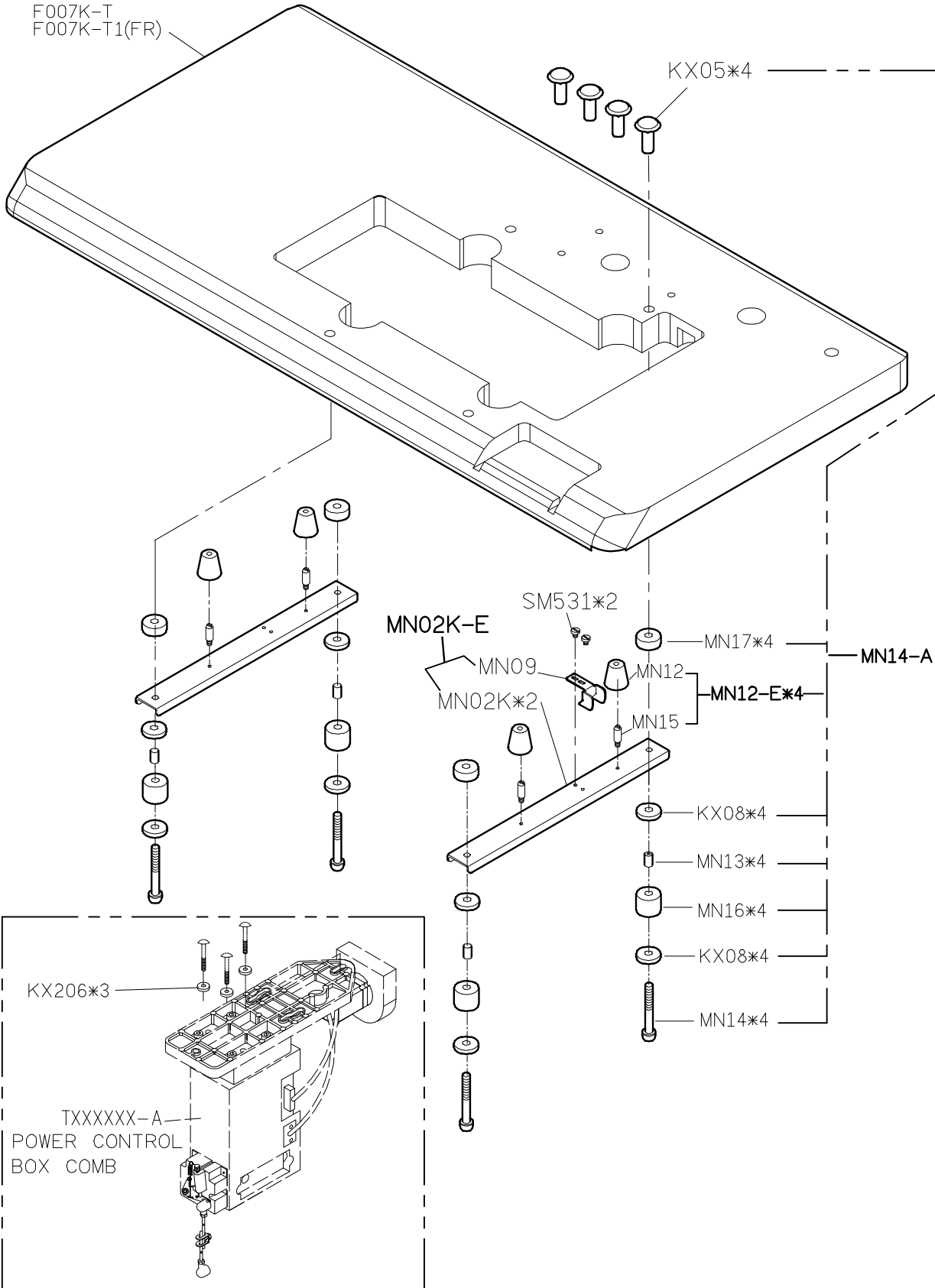
1

2

3

4

5



SIRUBA

PARTS LIST

Series
F007K/F007KD
F858K/F858KD

Parts Group
MN-K

Subclass / Remark

Page

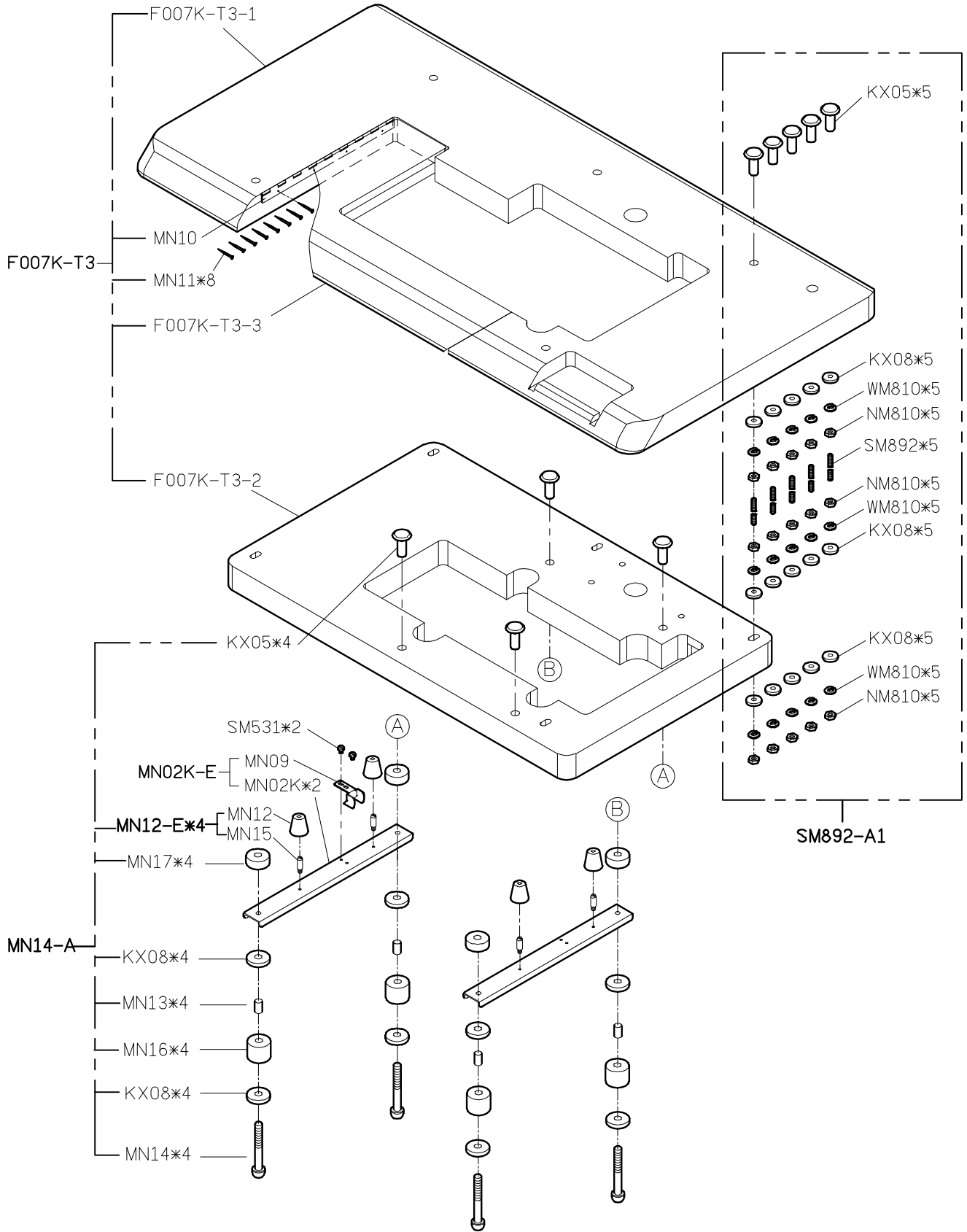
2/2

Date

2012/10/31





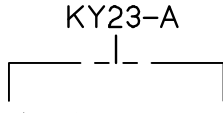
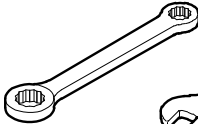
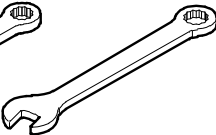
Fully-submerged

A
B
C
D
E

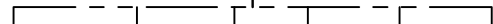






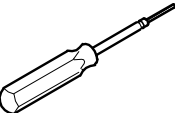
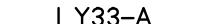
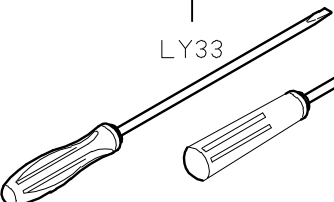
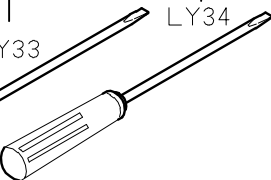


SIRUBA PARTS LIST	Series	Parts Group	Subclass / Remark	Page
	F007K/F007KD	MY-K		1/1
	F858K/F858KD		Date	
			2012/10/31	


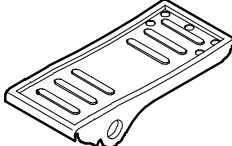
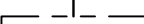
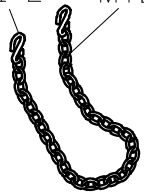


A

MY01  KY03  KY04  KY05-A  KY23-A  KY23(6/7mm)  KY09 

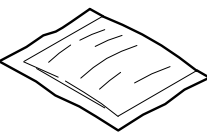
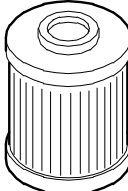

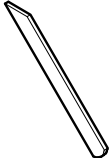
B

MY10-A  MY09  1.5 KY10  2 MY10  2.5 MY11  3 MY12  4 KY11  5 KY14  LY33-A  LY33  LY34 

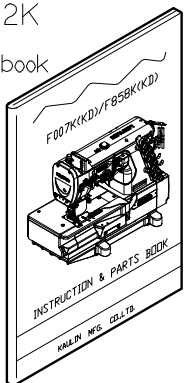
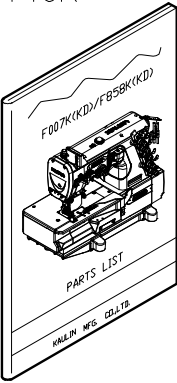
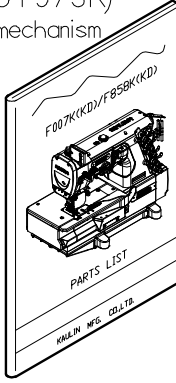
C

KY18  KY20D-A  MY21-E  KY21-1*2  MY21  KY201 

D

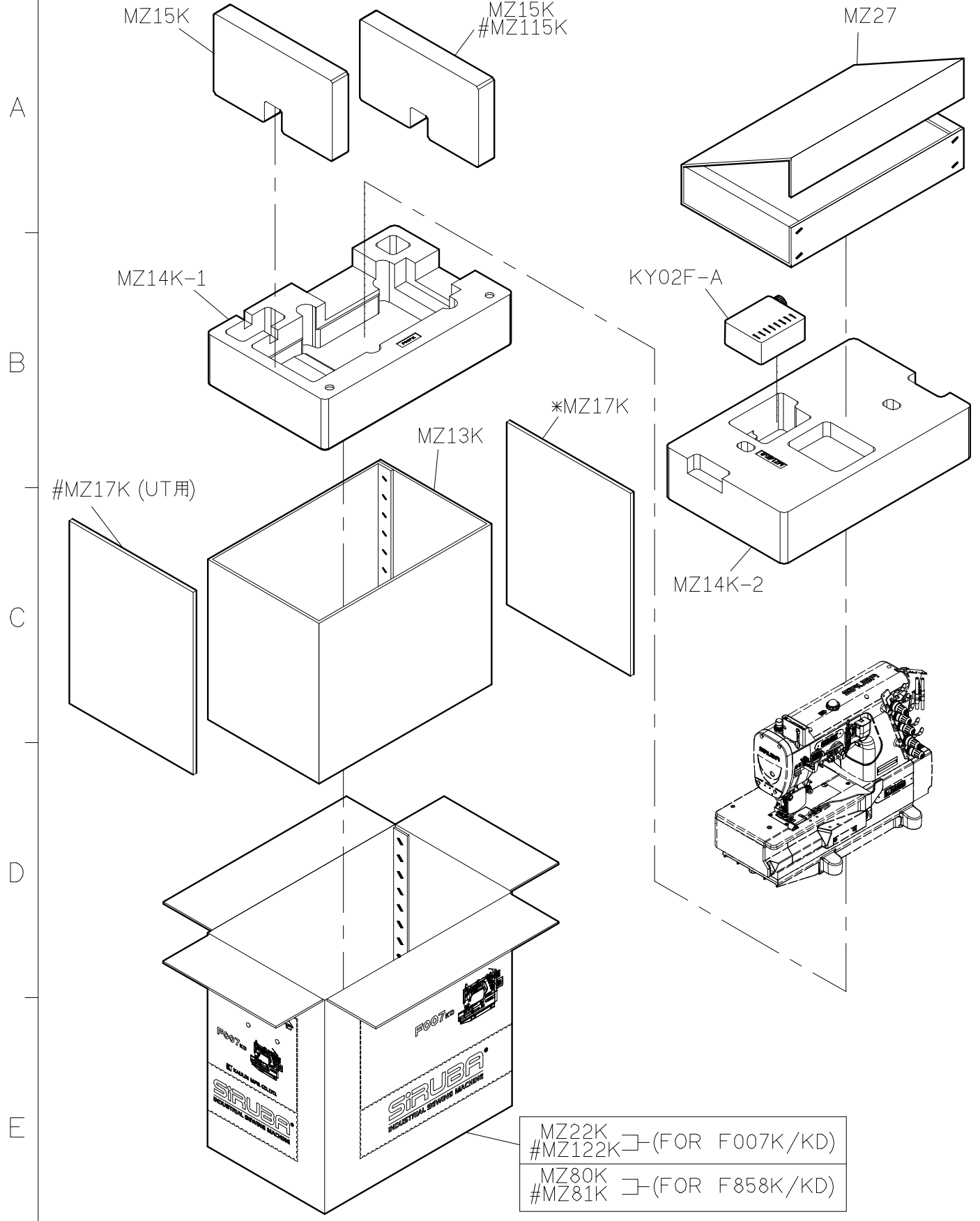
KZ03  KT14-A  UYX128GAS#10*5  FR40K  加裝FR時用

E

Instruction book (使用説明書)  Parts list (零件圖)  Special mechanism (特殊件零件圖)  MY42K MY43K MY44K (UT973K)

Parts list	
Basic mechanism	MY43K
Special mechanism	MY43K MY44K
UTK/UTH UTG/UTJ	MY43K UT973K
Special mechanism + UTK/UTH UTG/UTJ	MY43K MY44K UT973K

SIRUBA PARTS LIST	Series	Parts Group	Subclass / Remark	Page
	F007K/F007KD	MZ-K	# :Use for F007KD/F858KD	1/1
	F858K/F858KD			Date
				2012/10/31



A

B

C

D

E

1

2

3

4

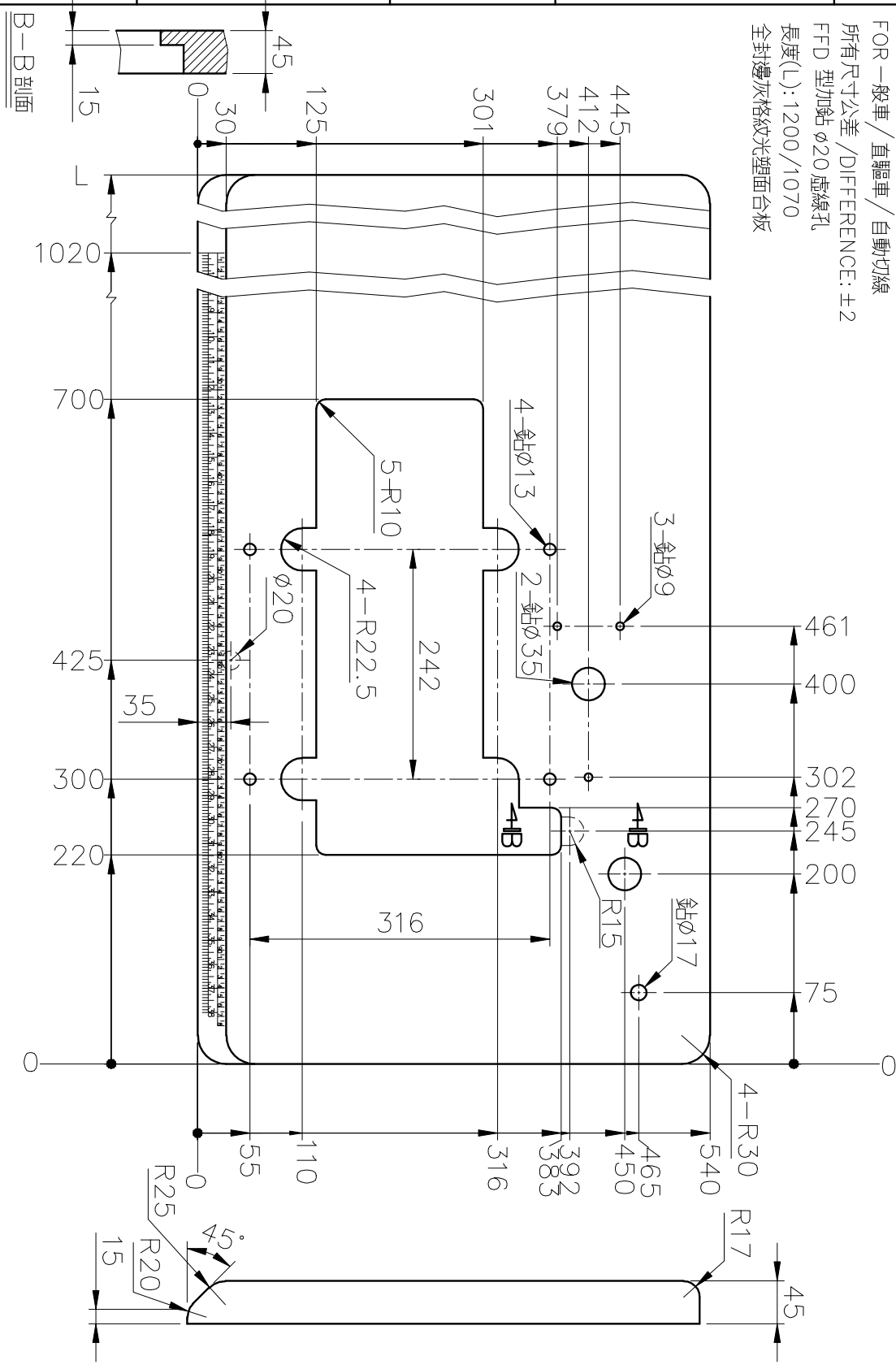
5

MZ22K
#MZ122K □ (FOR F007K/KD)

MZ80K
#MZ81K □ (FOR F858K/KD)

SIRUBA TABLE CUT - OUT	Series	Item Code	Subclass / Remark	Mounting
	F007K/F007KD F858K/F858KD	F007K-T	For All Series excluding FR, FHK models	Semi-submerged
				Date 2013/01/28

三針平車半沉式桌板圖
 F007K /KD F858K /KD SERIES TABLE CUT-OUT SEMI-SUBMERGED
 單位 / UNIT: MM
 FOR 一般車 / 直驅車 / 自動切線
 所有尺寸公差 / DIFFERENCE: ±2
 FFD 型加鉗 $\phi 20$ 虛線孔
 長度(L): 1200 / 1070
 全封邊灰格紋光理面台板



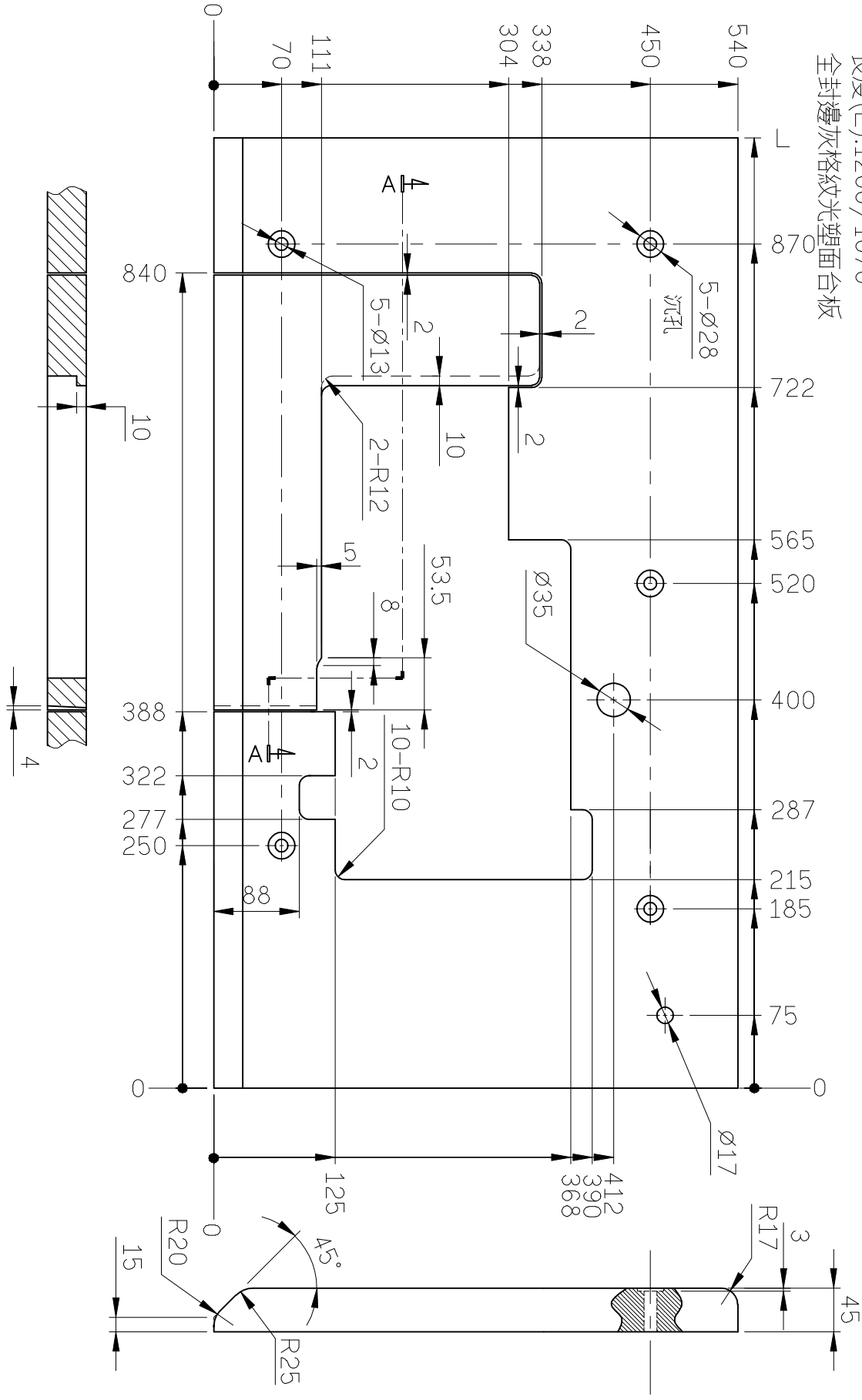
SIRUBA
TABLE
CUT - OUT

Series
F007K/F007KD
F858K/F858KD

Item Code
F007K-T3-1

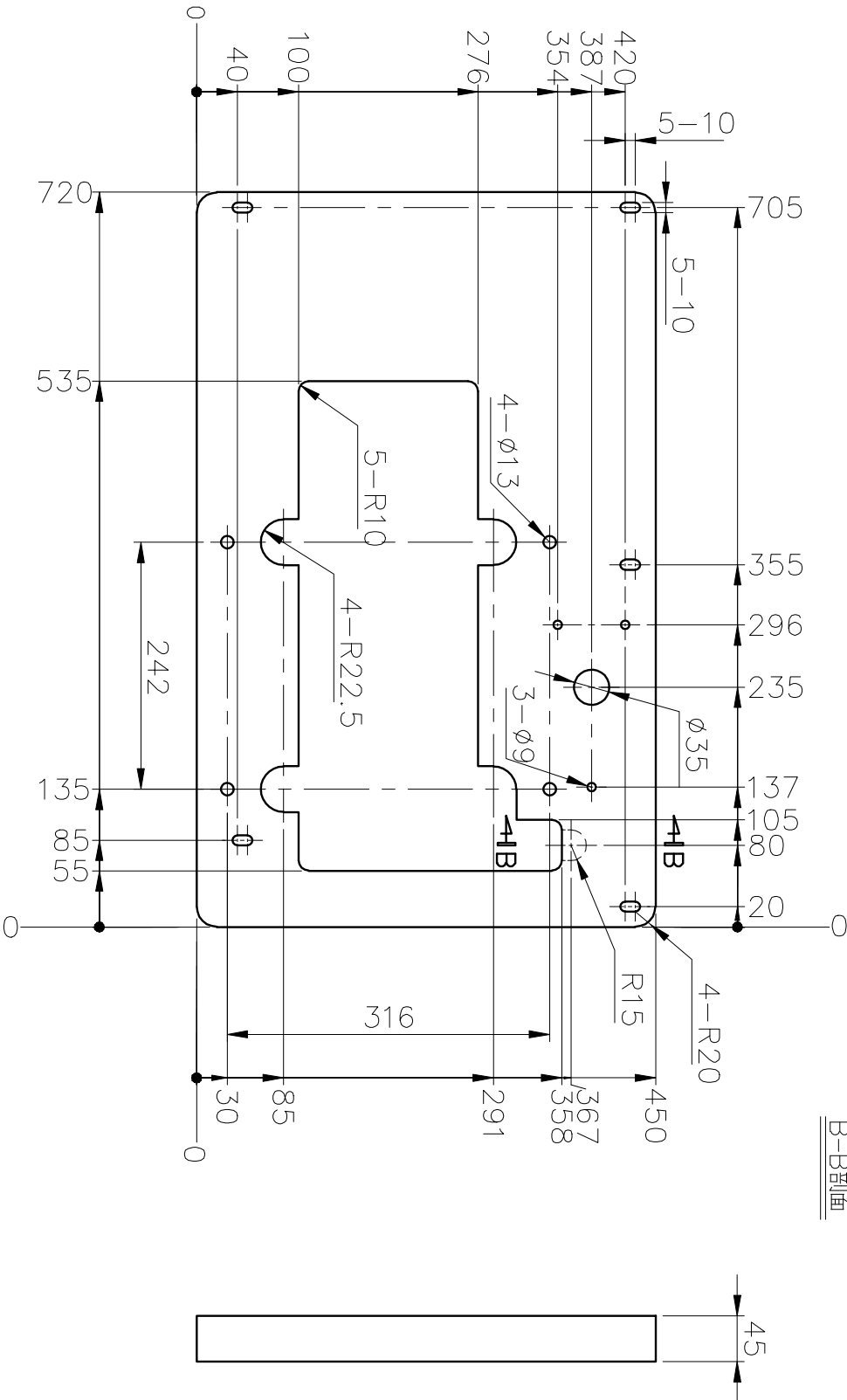
Subclass / Remark
For All Series

Mounting
Fully-submerged
Date
2015/01/16

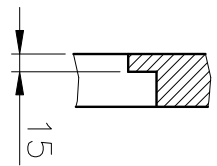


SIRUBA TABLE CUT - OUT	Series	Item Code	Subclass / Remark	Mounting
	F007K/F007KD F858K/F858KD	F007K-T3-2	For All Series	Fully-submerged
				Date
				2013/01/26

三針平車全沉式桌板圖
 F007K SERIES TABLE CUT-OUT SUBMERGED
 單位/UNIT:MM
 FOR 一般車 / 直驅車 / 自動切線
 所有尺寸公差 / DIFFERENCE:±2
 全封邊灰格紋光塑面台板



B-B剖面



SIRUBA TABLE CUT - OUT	Series	Item Code	Subclass / Remark	Mounting
	F007K/F007KD F858K/F858KD	F007K-T3-3	For All Series	Fully-submerged
				Date
				2013/01/26

三針平車全沉式桌板圖
 F007K SERIES TABLE CUT-OUT SUBMERGED
 單位/UNIT:MM
 FOR一般車 / 直驅車 / 自動切線
 所有尺寸公差 / DIFFERENCE:±2
 全封邊灰格紋光塑面台板

