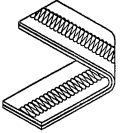
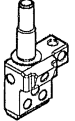
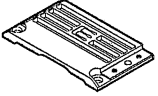
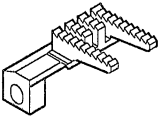

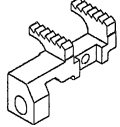
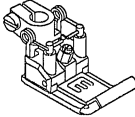

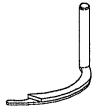

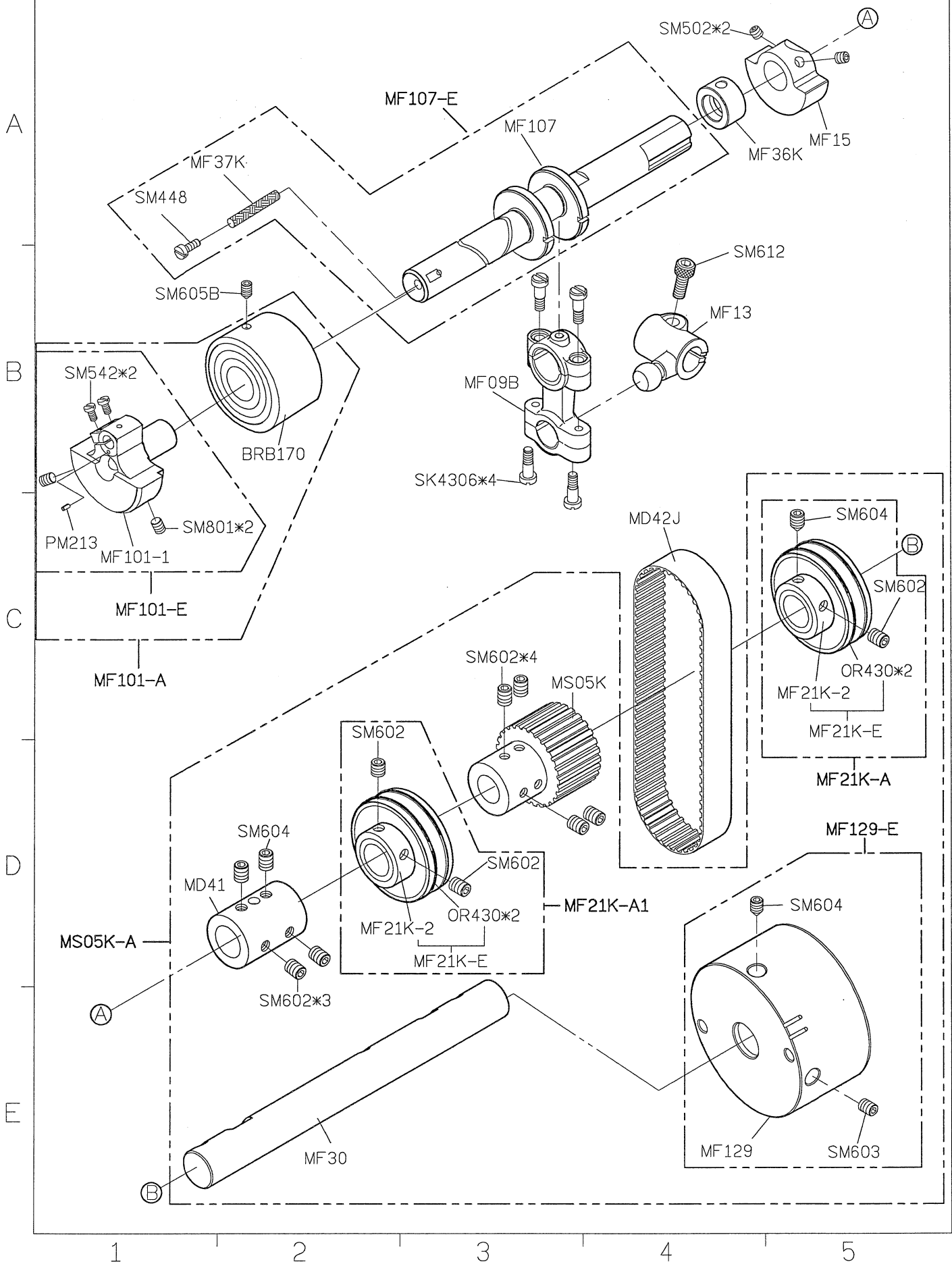


SIRUBA GAGE PARTS LIST		Series			Remark						Page	Date
		S007K / S007KD									1 / 1	2016/8/23
												
MODEL		SUB-CLASS	NEEDLE CLAMP	NEEDLE PLATE	MAIN FEED DOG	DIFF. FEED DOG		PRESSER FOOT	LOOPER	LOOPER	NEEDLE	
機 型		規 格	針 座	針 板	主 送 具	差 送 具		押 具	勾 針	上 叉	針 號	
S007K(KD)	W121/PCH-3M	240 248 356 364	M5240 M5248 M5356 M5364	E4094K E4095K E4096K E4097K	D4324K D4324K D4325K D4325K	H4387K H4387K H4379K H4379K	H4307K H4307K H4308K H4308K	P2674K-A P2674K-A P2576K-A P2576K-A	MT01	MH41	UYX128GAS#10	
	W122/PCH-3M	240 248 356 364	M5240 M5248 M5356 M5364	E3994K E3995K E3996K E3997K	D4324K D4324K D4325K D4325K	H4387K H4387K H4379K H4379K	H4307K H4307K H4308K H4308K	P2674K-A P2674K-A P2576K-A P2576K-A	MT01	MH41	UYX128GAS#10	
	W321/PCE	240 248 356 364	M5240 M5248 M5356 M5364	E4064K E4065K E4066K E4067K	D4324K D4324K D4325K D4325K	H4487K H4487K H4479K H4479K	H4307K H4307K H4308K H4308K	P2674K-A P2674K-A P2576K-A P2576K-A	MT01	MH41	UYX128GAS#10	
	W322/PCE	240 248 356 364	M5240 M5248 M5356 M5364	E3964K E3965K E3966K E3967K	D4324K D4324K D4325K D4325K	H4487K H4487K H4479K H4479K	H4307K H4307K H4308K H4308K	P2674K-A P2674K-A P2576K-A P2576K-A	MT01	MH41	UYX128GAS#10	

SIRUBA PARTS LIST	Series	Parts Group	Subclass / Remark	Page
	S007K/S007KD	MF-K	For S007K/S007KD 2 nd Generation	1/1
				Date 2016/8/25



SIRUBA PARTS LIST	Series	Parts Group	Subclass / Remark	Page
	S007K/S007KD	MG-K		1/1
				Date
				2016/9/6

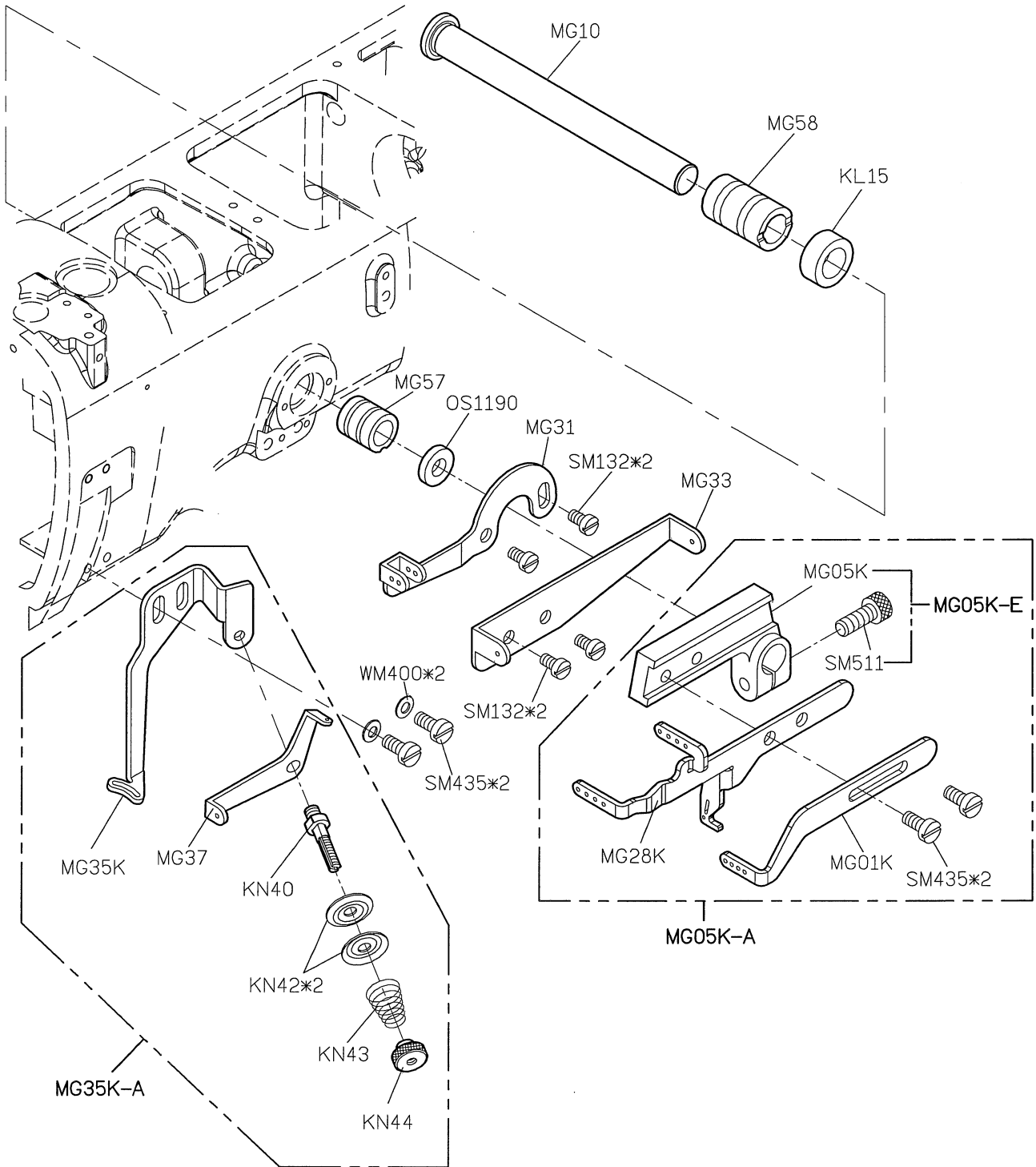
A

B

C

D

E



1

2

3

4

5

SIRUBA

PARTS LIST

Series

S007K/S007KD

Parts Group

MJ-K

Subclass / Remark

For S007K/S007KD 2nd Generation

Page

1/1

Date

2016/8/26

組件代號	零件內容
MJ35K-A1	MJ35K/MJ38/NM610 MJ54K/SM492
MJ35K-A3	MJ35K/MJ38/NM610

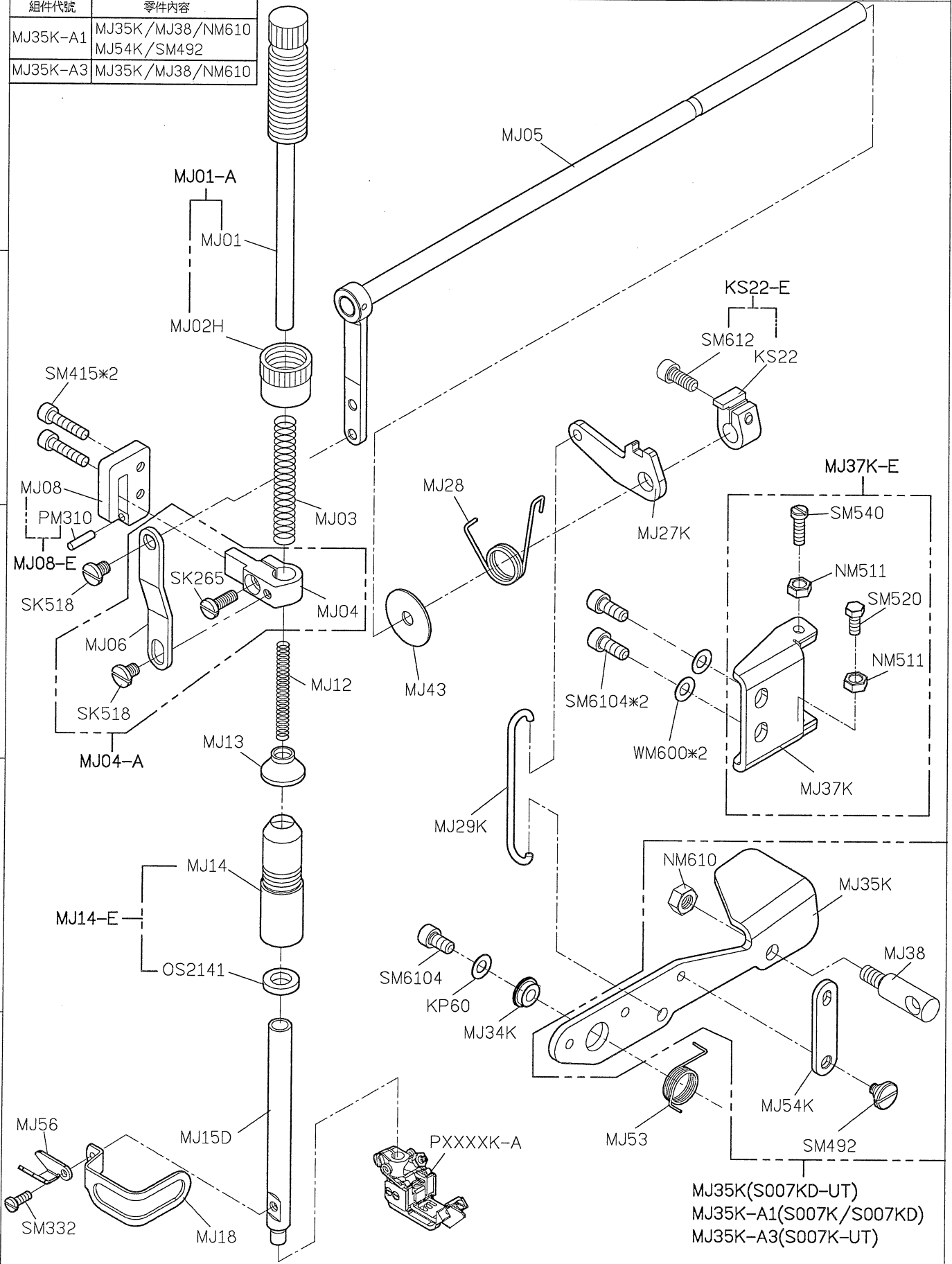
A

B

C

D

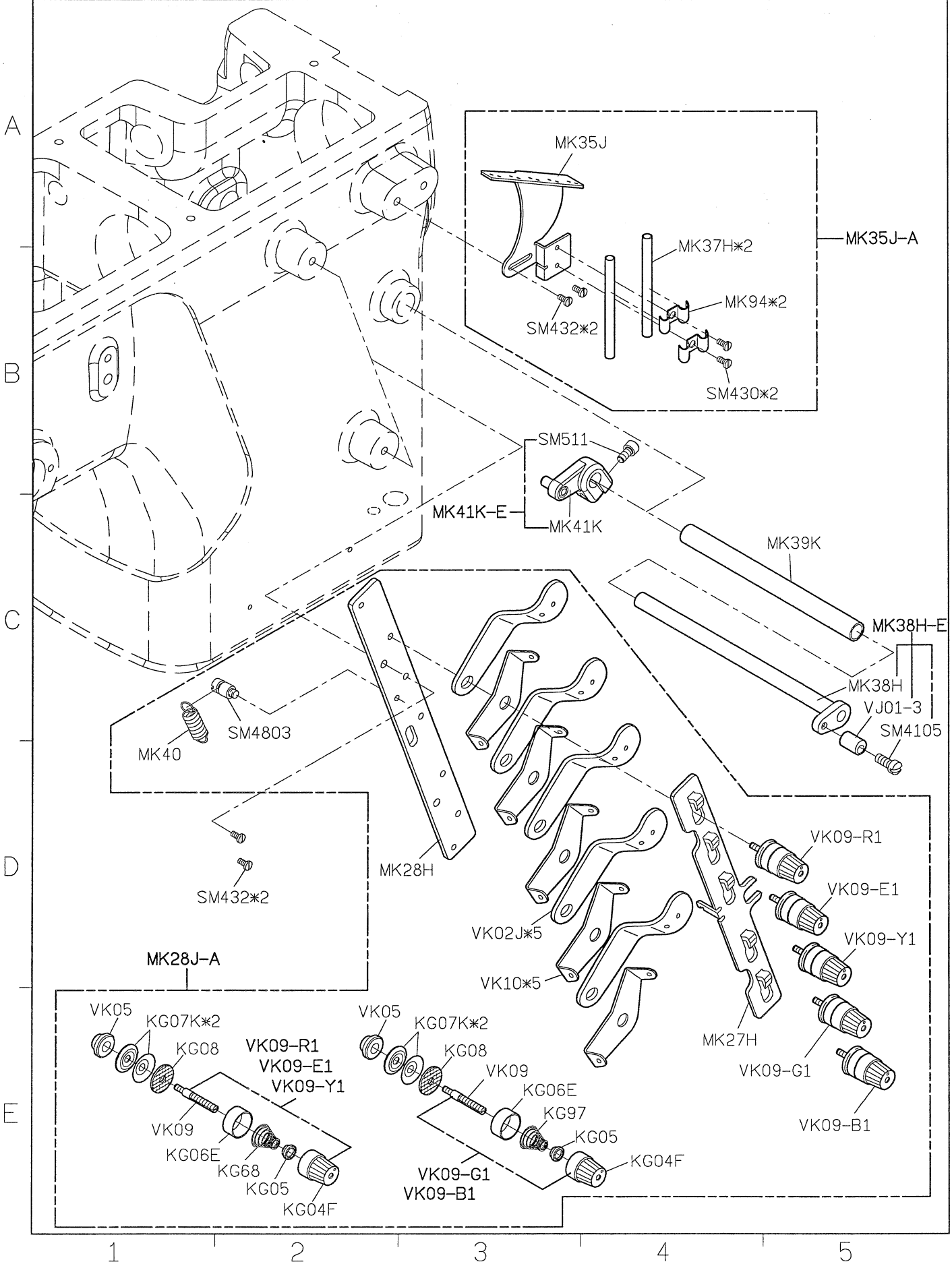
E



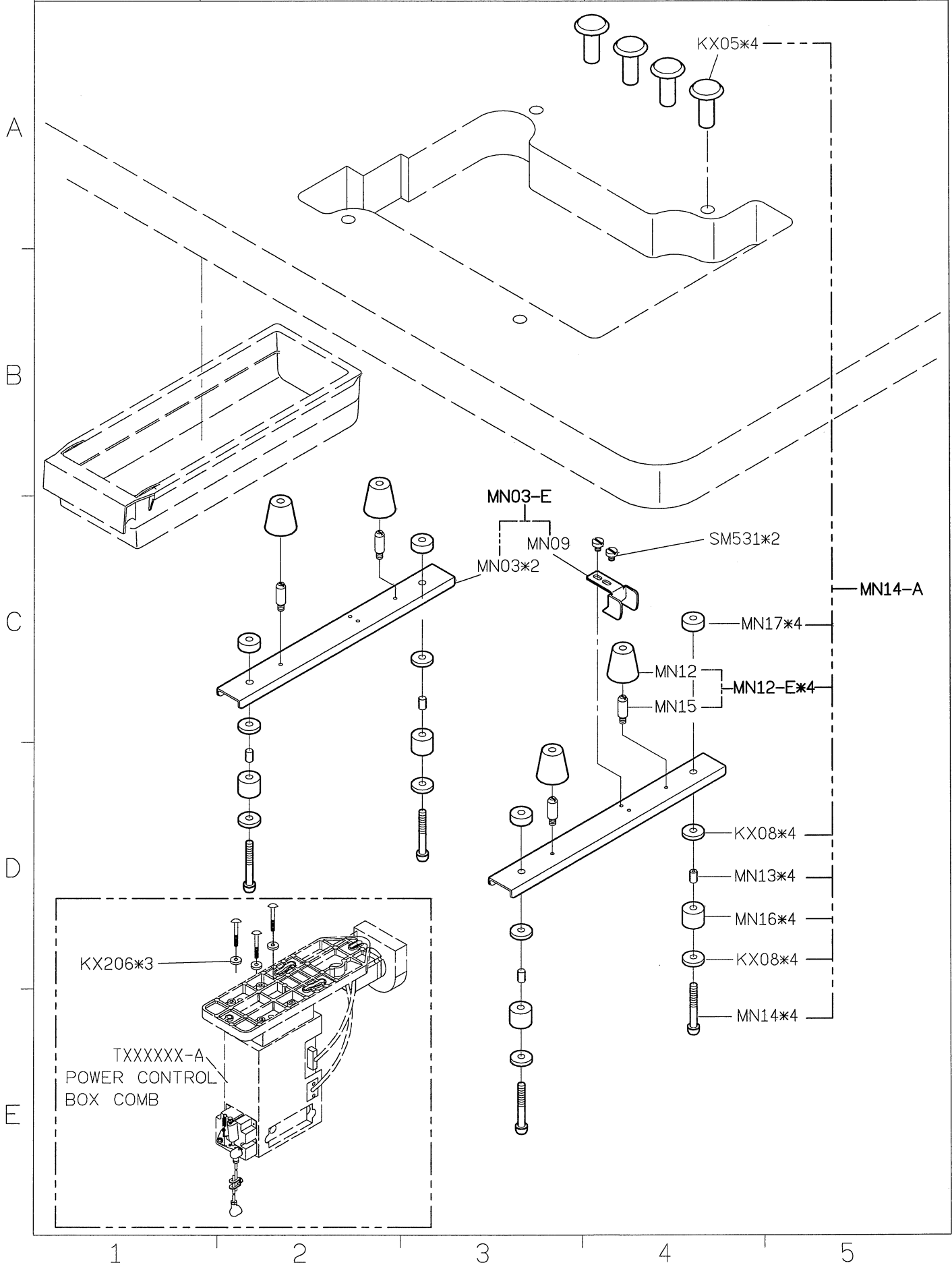
MJ35K(S007KD-UT)
MJ35K-A1(S007K/S007KD)
MJ35K-A3(S007K-UT)

1 2 3 4 5

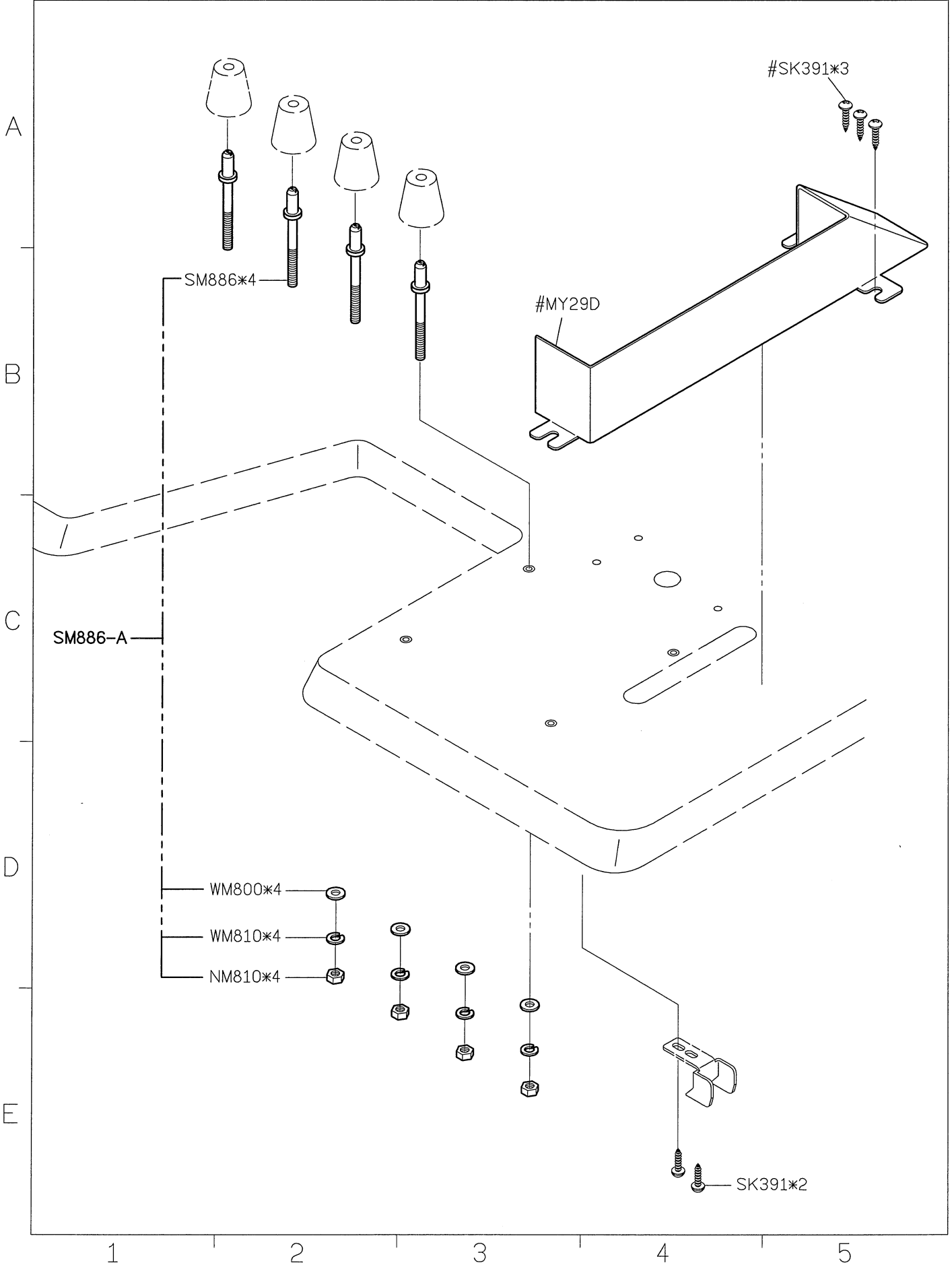
SIRUBA PARTS LIST	Series	Parts Group	Subclass / Remark	Page
	S007K/S007KD	MK-K	For S007K/S007KD 2 nd Generation	1/1
				Date
				2016/8/25



SIRUBA PARTS LIST	Series	Parts Group	Subclass / Remark	Page
	S007K/S007KD	MN-K	For S007K 2 nd Generation	1/2
				Date
				2016/9/1



SIRUBA PARTS LIST	Series	Parts Group	Subclass / Remark	Page
	S007K	MN-K	For S007K 2 nd Generation # Use for S007K	2/2
				Date
				2016/4/8



SIRUBA

PARTS LIST

Series

S007K/S007KD

Parts Group

SL-K

Subclass / Remark

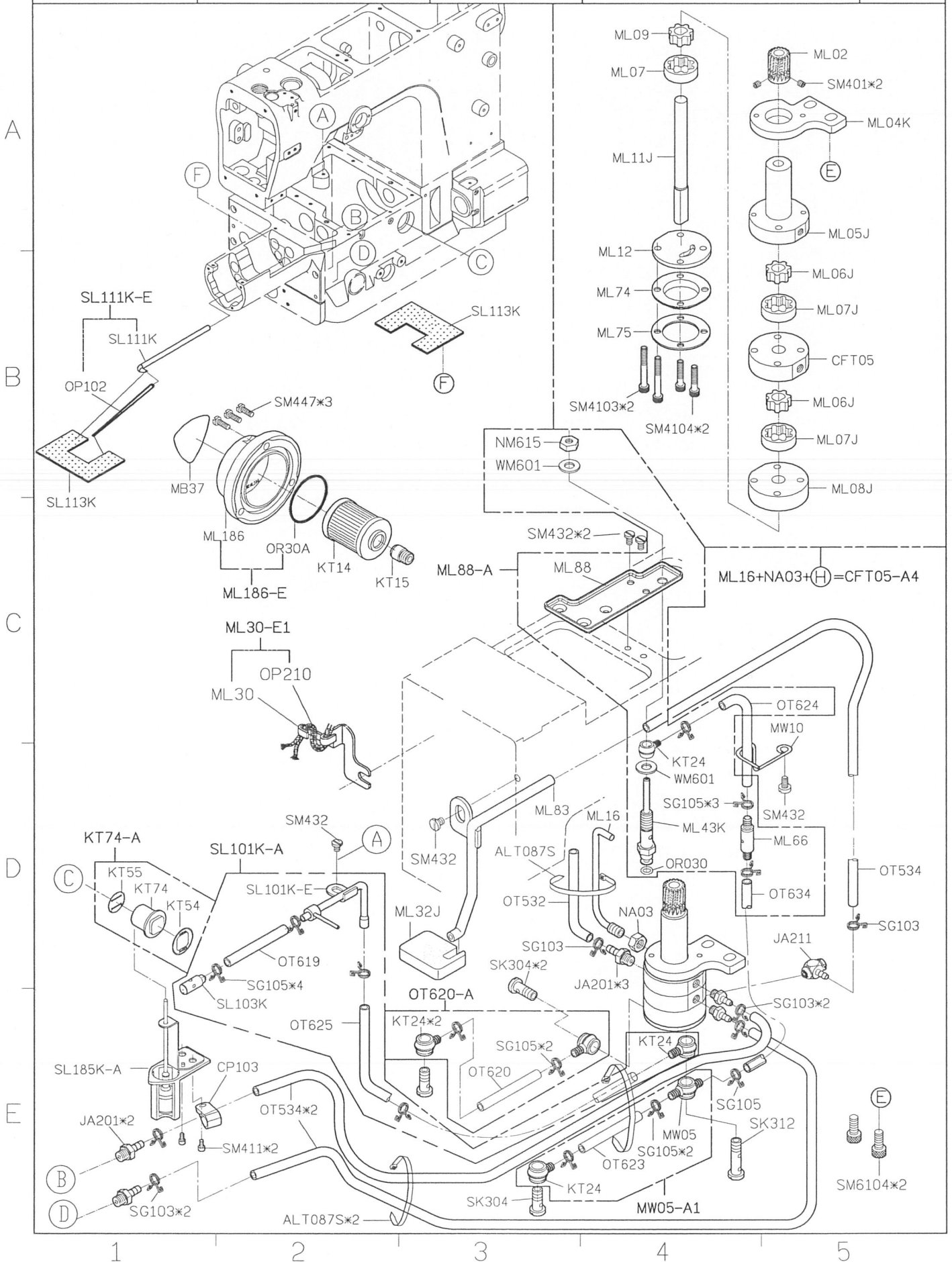
For S007K/S007KD 2nd Generation

Page

1/1

Date

2016/8/23



SIRUBA

PARTS LIST

Series

S007K/S007KD

Parts Group

SR-K

Subclass / Remark

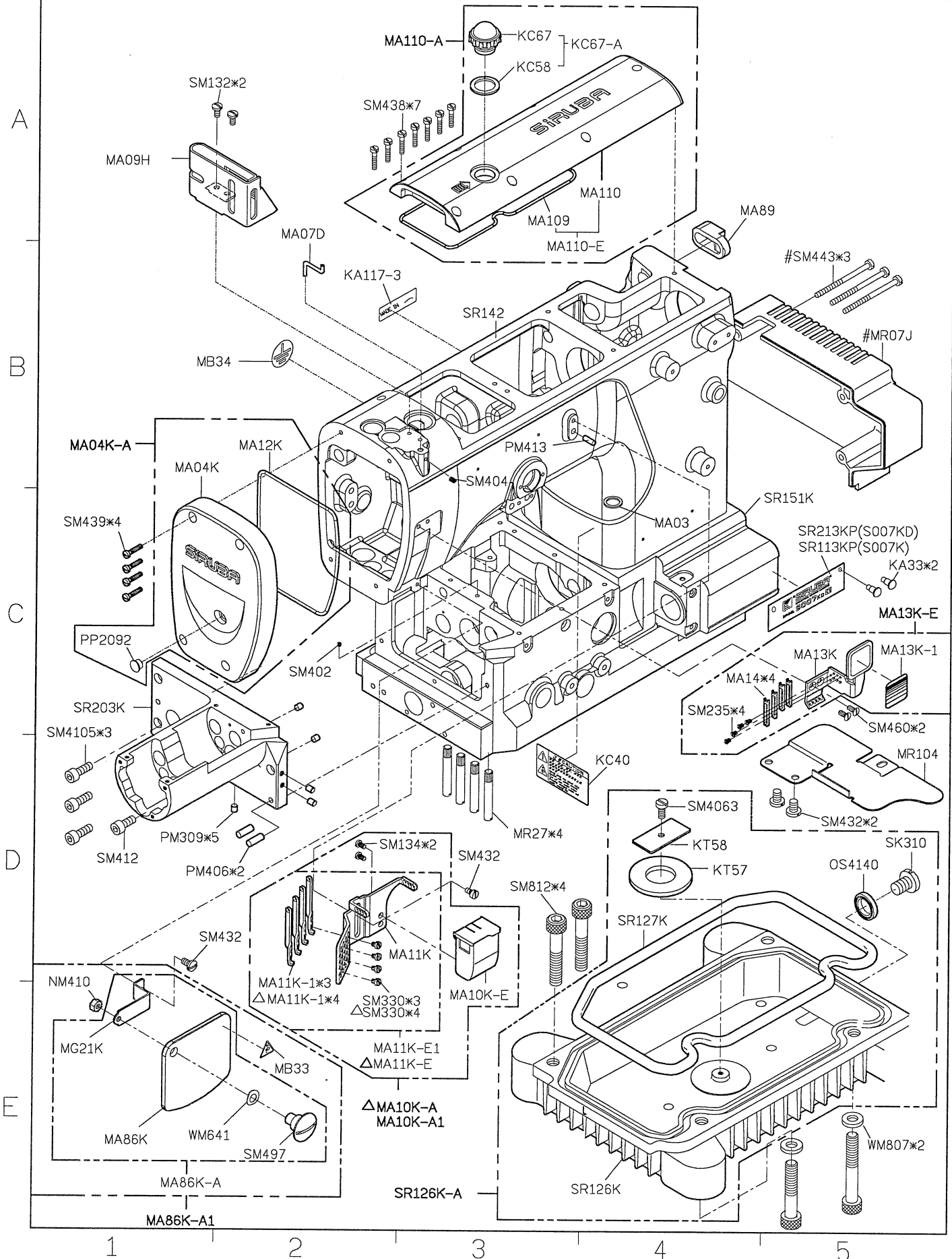
For S007K/S007KD 2nd Generation
: use for S007K
△ : use for SW

Page

1/4

Date

2016/8/24



SIRUBA

PARTS LIST

Series

S007K/S007KD

Parts Group

SR-K

Subclass / Remark

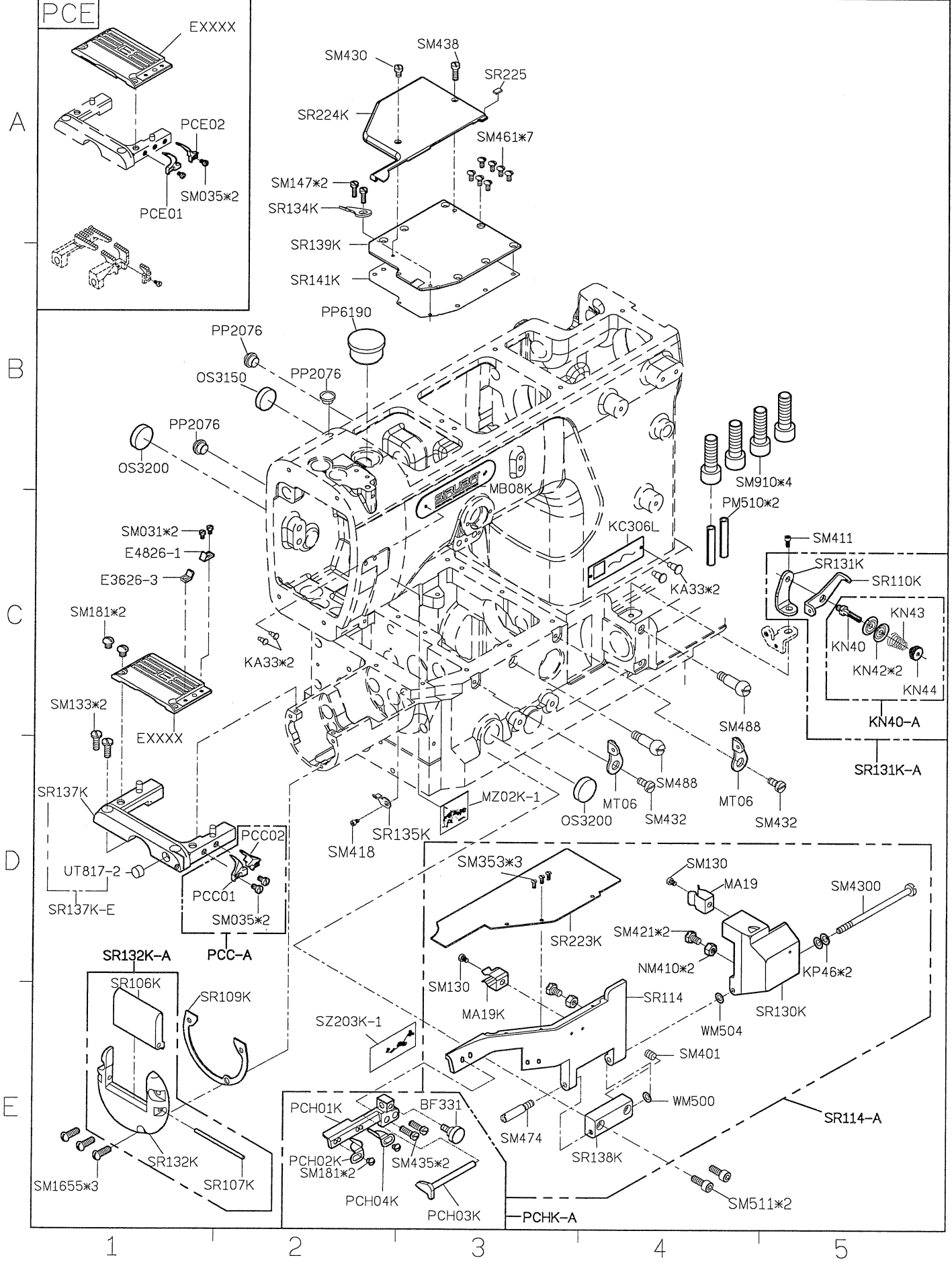
For S007K/S007KD 2nd Generation

Page

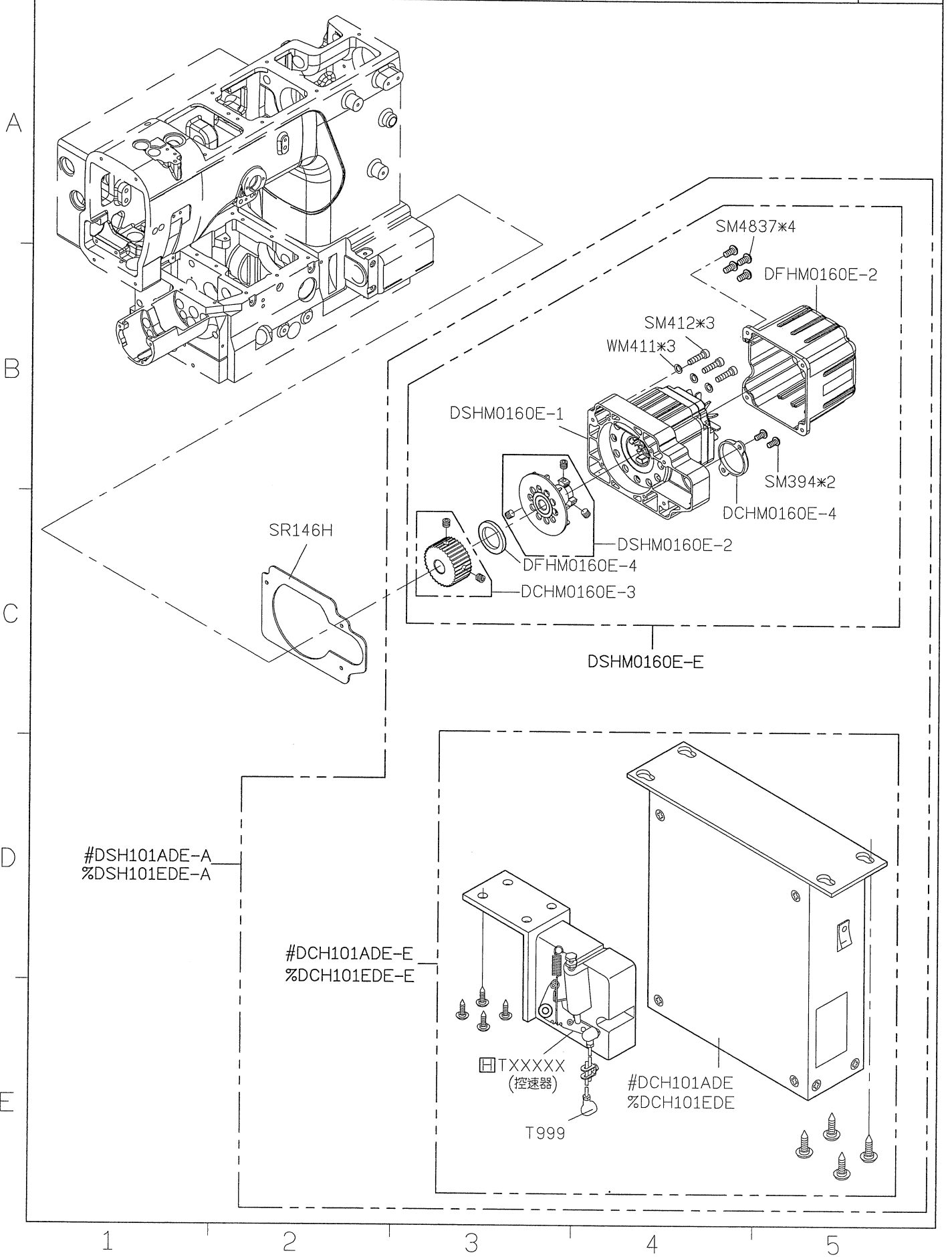
2/4

Date

2016/8/24

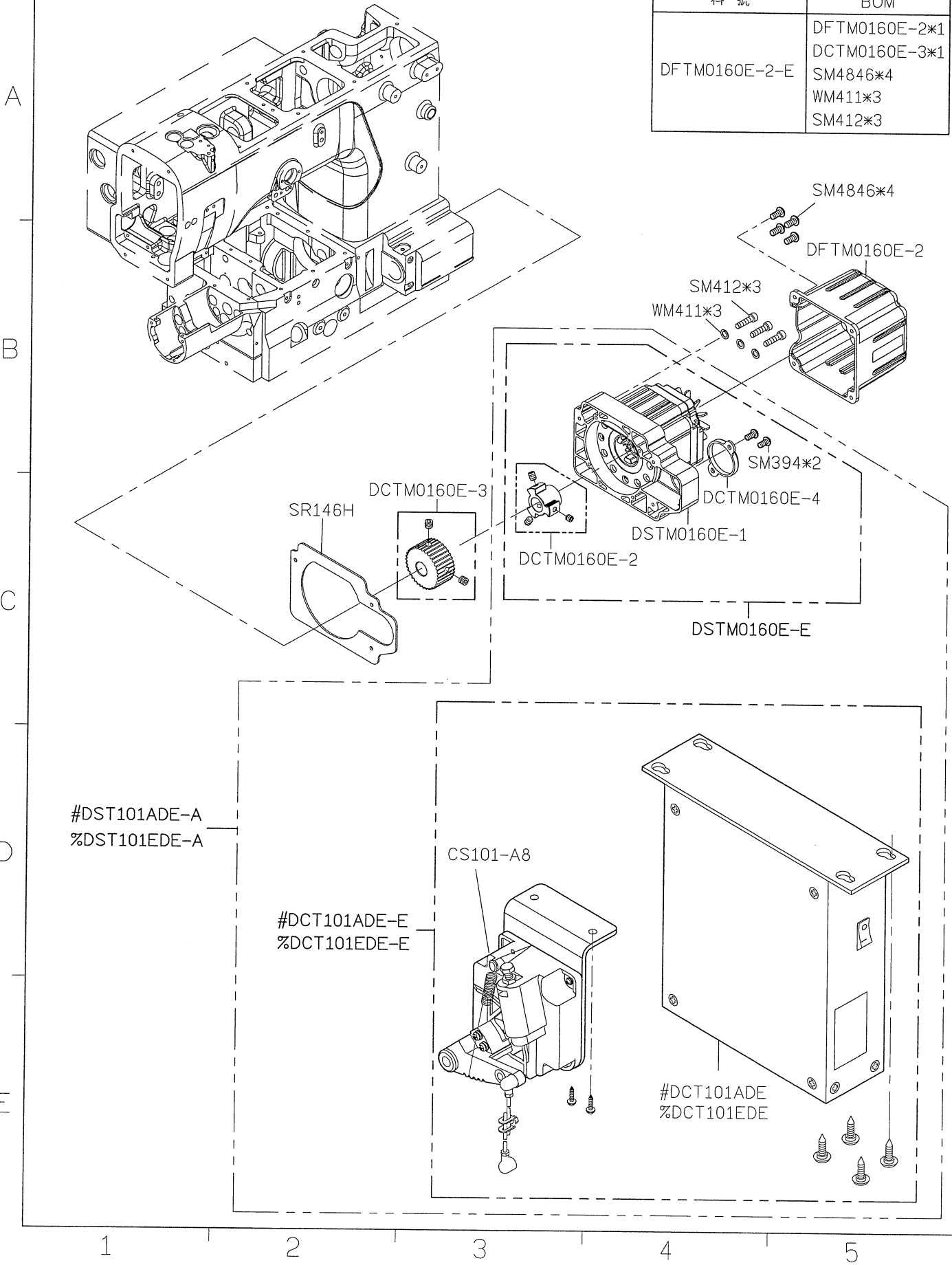


SIRUBA PARTS LIST	Series	Parts Group	Subclass / Remark	Page
	S007K/S007KD	SR-K	For S007K/S007KD 2 nd Generation For Direct-Drive Motor (H牌) #For Pneumatic Automatic %For Electric Automatic	3/4
				Date
				2016/12/30



SIRUBA PARTS LIST	Series	Parts Group	Subclass / Remark	Page
	S007K/S007KD	SR-K	For S007K/S007KD 2 nd Generation For Direct-Drive Motor (T牌) #For Pneumatic Automatic %For Electric Automatic	4/4
				Date
				2016/12/30

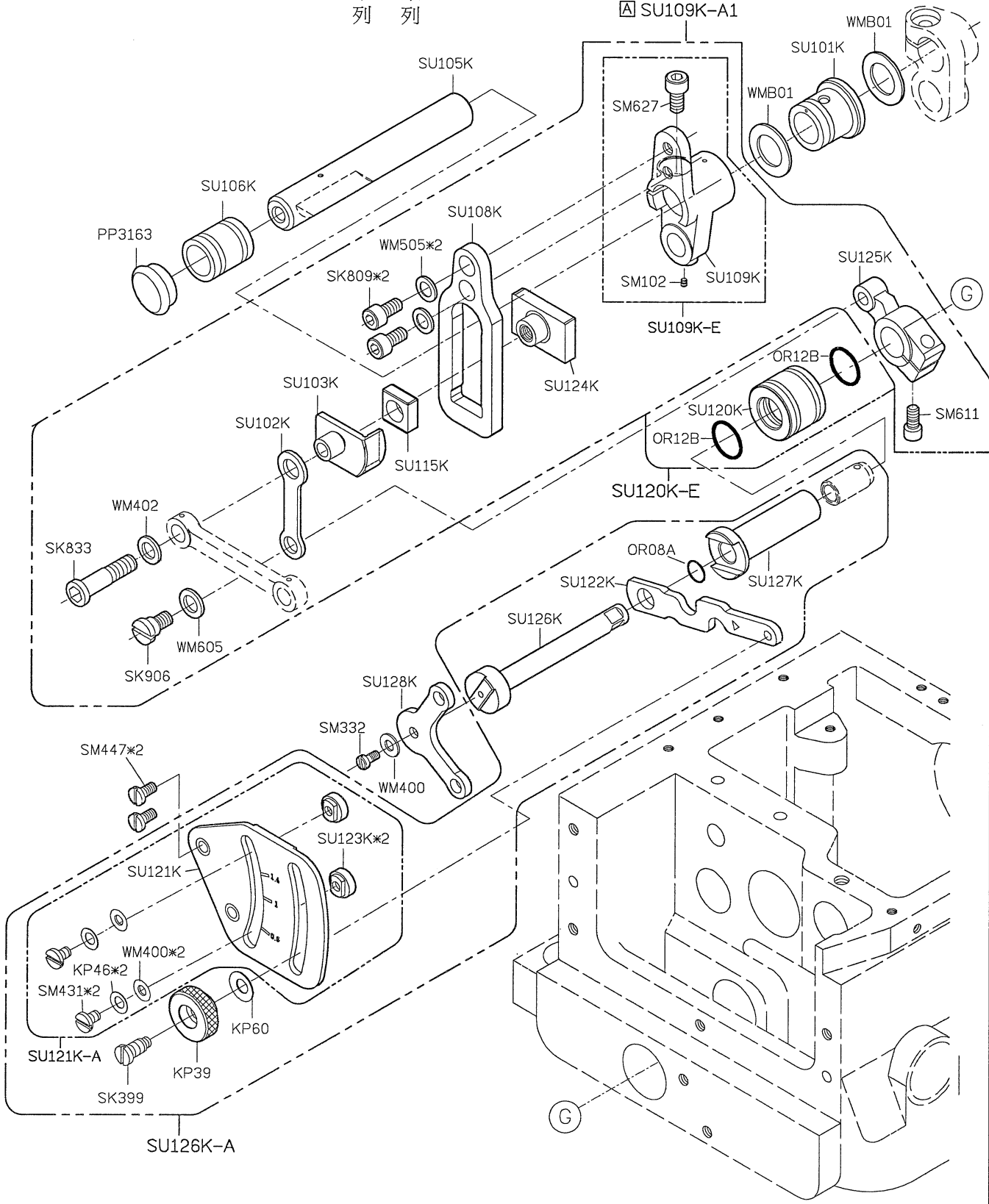
料號	BOM
DFTM0160E-2-E	DFTM0160E-2*1
	DCTM0160E-3*1
	SM4846*4
	WM411*3
	SM412*3



SIRUBA PARTS LIST	Series	Parts Group	Subclass / Remark	Page
	S007K/S007KD	SU-K	For S007K/S007KD 2 nd Generation	1/1
				Date
				2016/8/24

$\boxed{A} + \boxed{B} = \text{SU109K-A1}$
 SU SS
 系 列
 系 列

A
B
C
D
E



1 2 3 4 5

SIRUBA

PARTS LIST

Series

S007K/S007KD

Parts Group

SV-K

Subclass / Remark

For S007K/S007KD 2nd Generation

Page

1/1

Date

2016/8/24

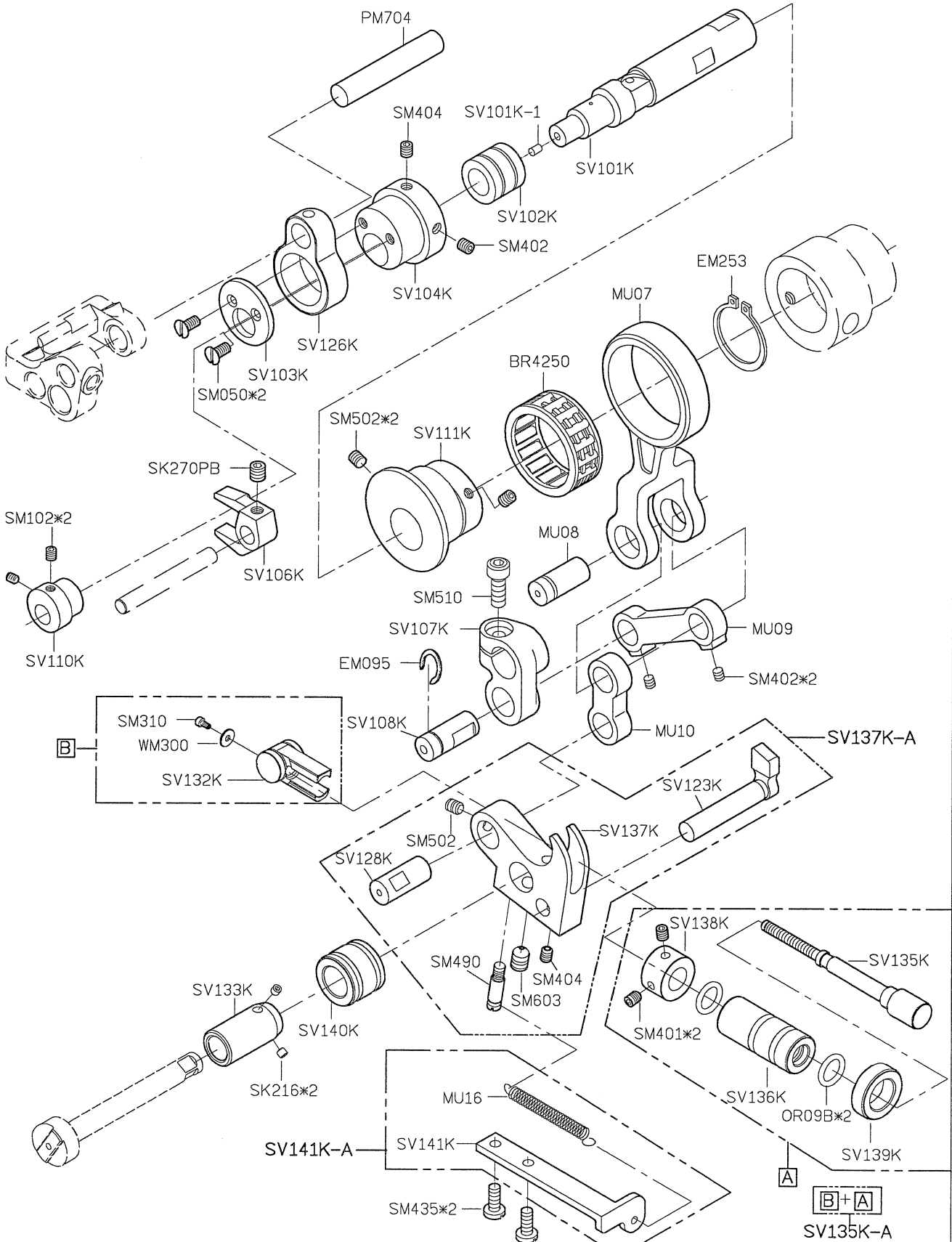
A

B

C

D

E



1

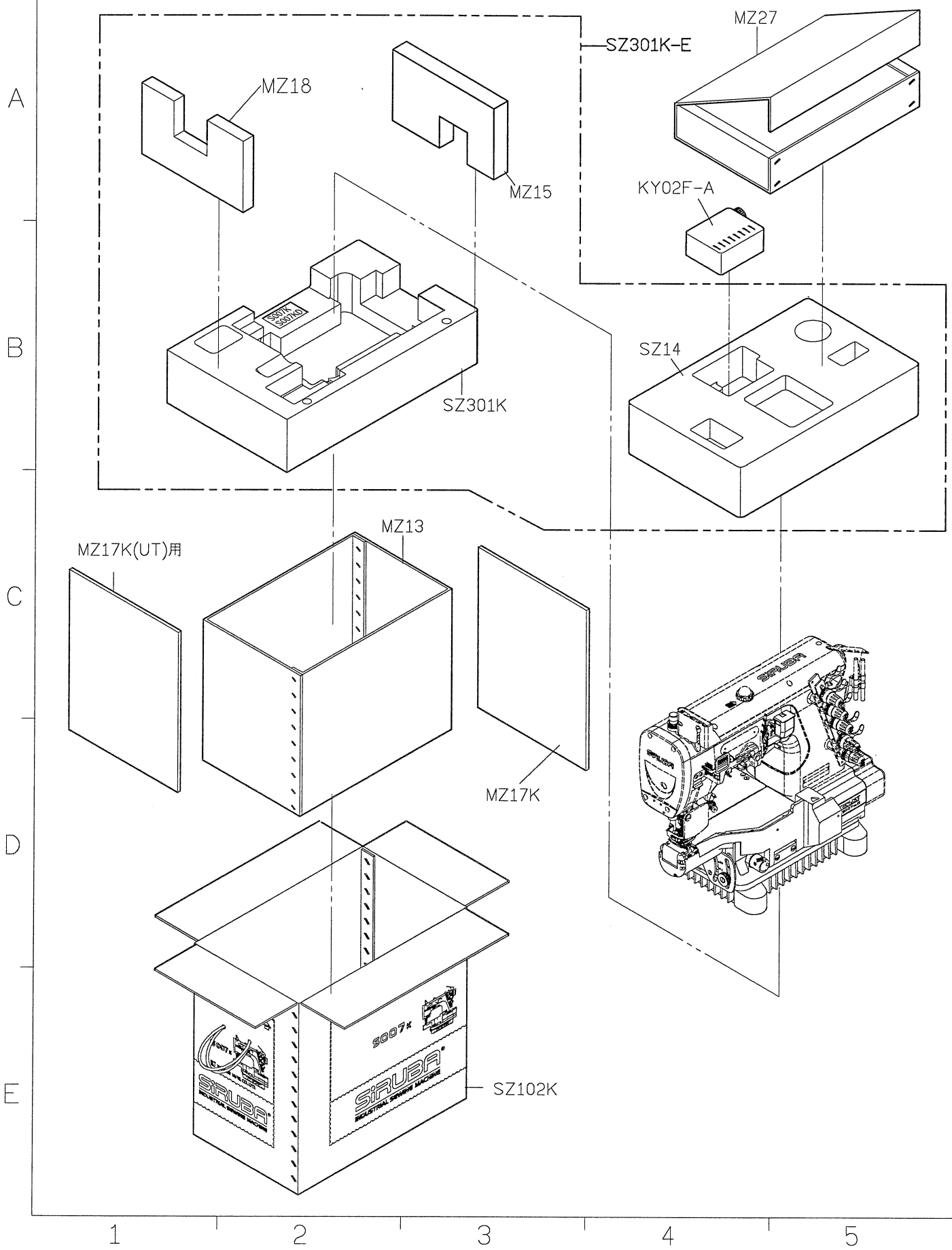
2

3

4

5

SIRUBA PARTS LIST	Series	Parts Group	Subclass / Remark	Page
	S007K/S007KD	SZ-K	For S007K/S007KD 2 nd Generation	1/2
				Date
				2016/8/25



SIRUBA PARTS LIST	Series	Parts Group	Subclass / Remark	Page
	S007K/S007KD	SZ-K	For S007K/S007KD 2 nd Generation For Direct-Drive Motor	2/2
				Date
				2016/8/25

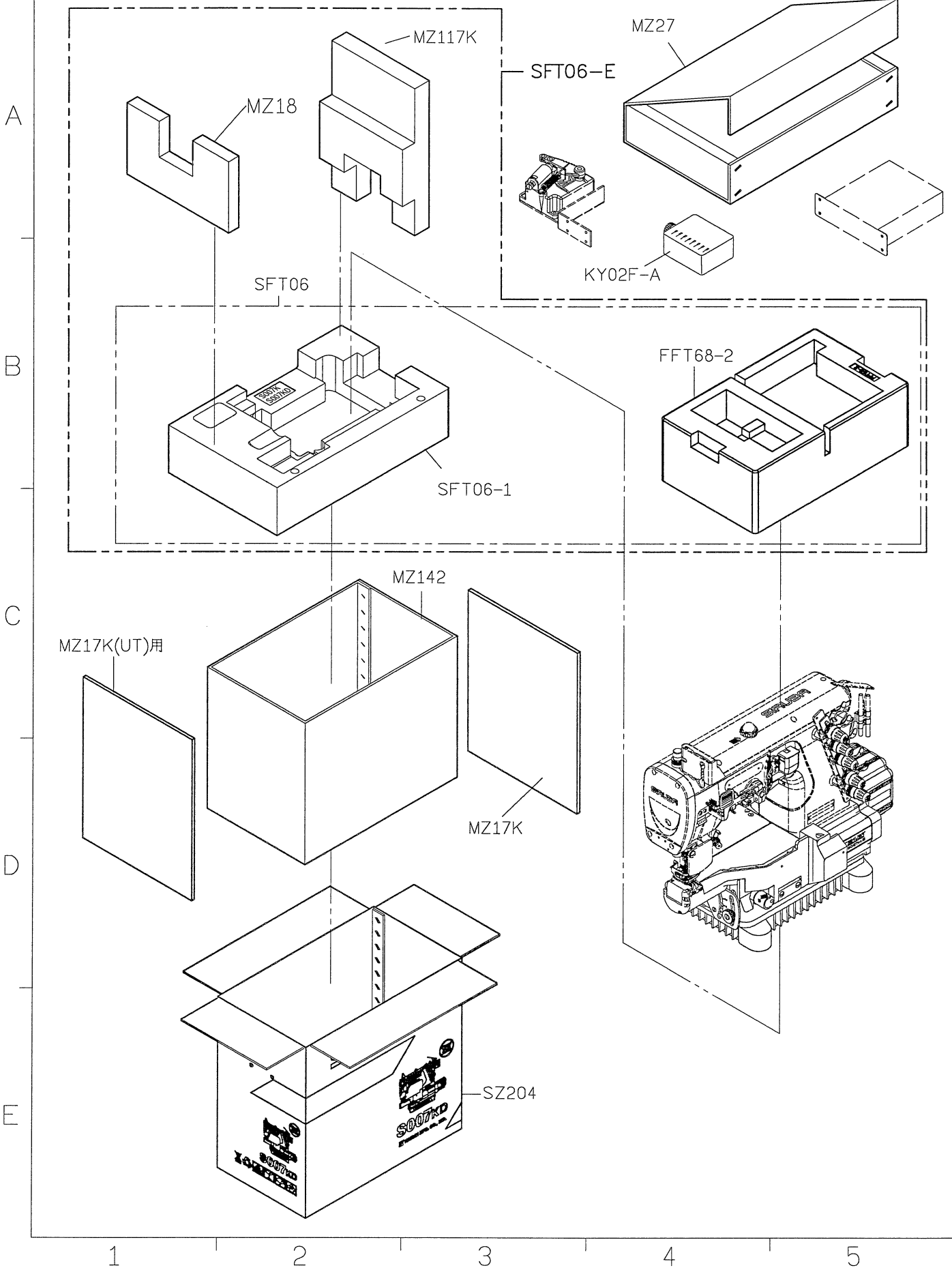


TABLE CUT-OUT OF S007K-T1

三針筒車上乘桌板圖
 S007K/KD SERIES TABLE CUT-OUT SEMI-SUBMERGED
 單位/UNIT:mm
 FOR 一般車及自動切線
 所有尺寸公差/DIFFERENCE:±2
 S007K-T1-1070長度(L):1070
 S007K-T1長度(L):1200
 全封邊灰格紋光塑面台板

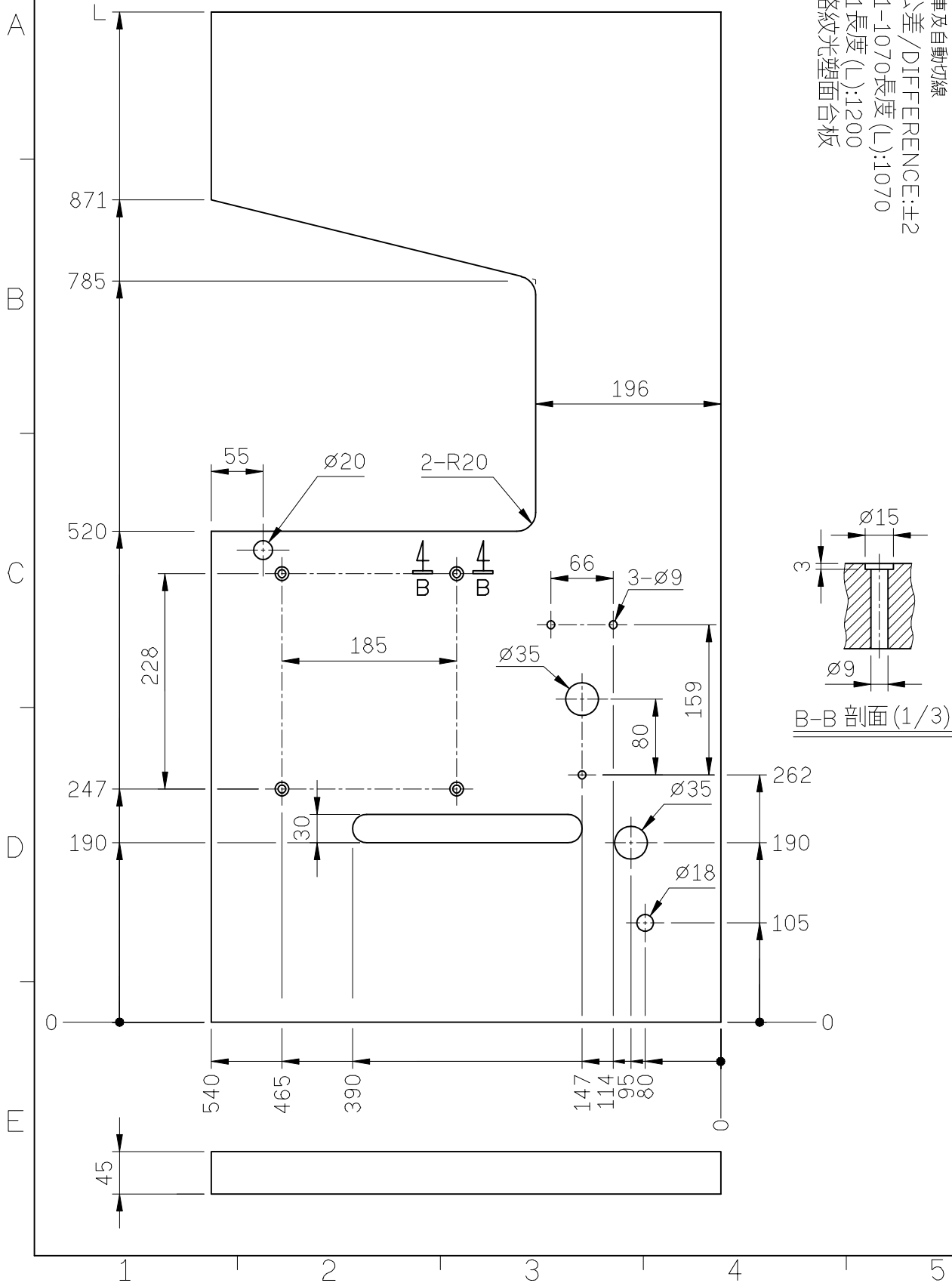


TABLE CUT-OUT OF S007K-T2

三針筒車下乘桌板圖

S007K/S007KD SERIES TABLE CUT-OUT SEMI-SUBMERGED

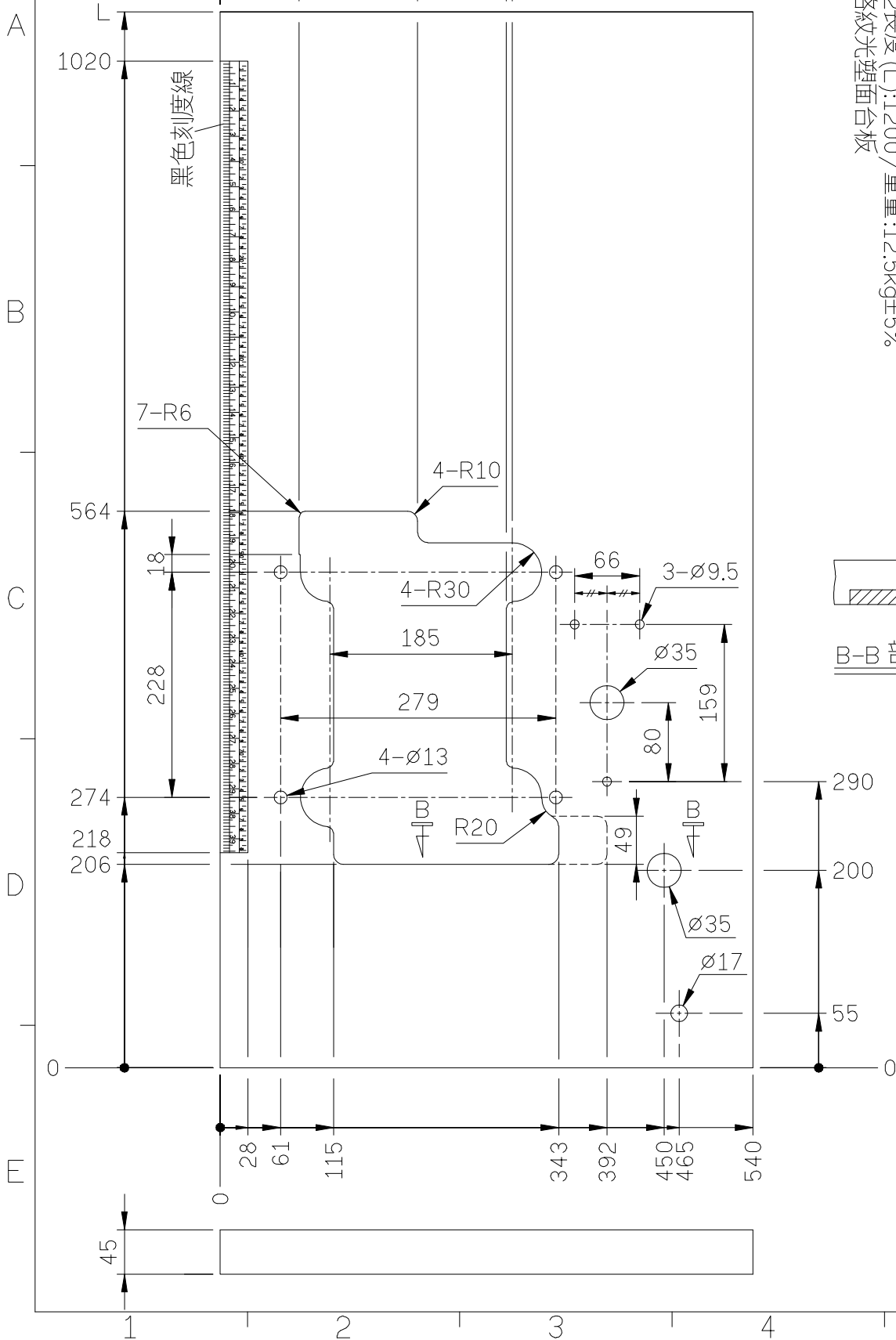
單位/UNIT:mm

FOR一般車及自動切線

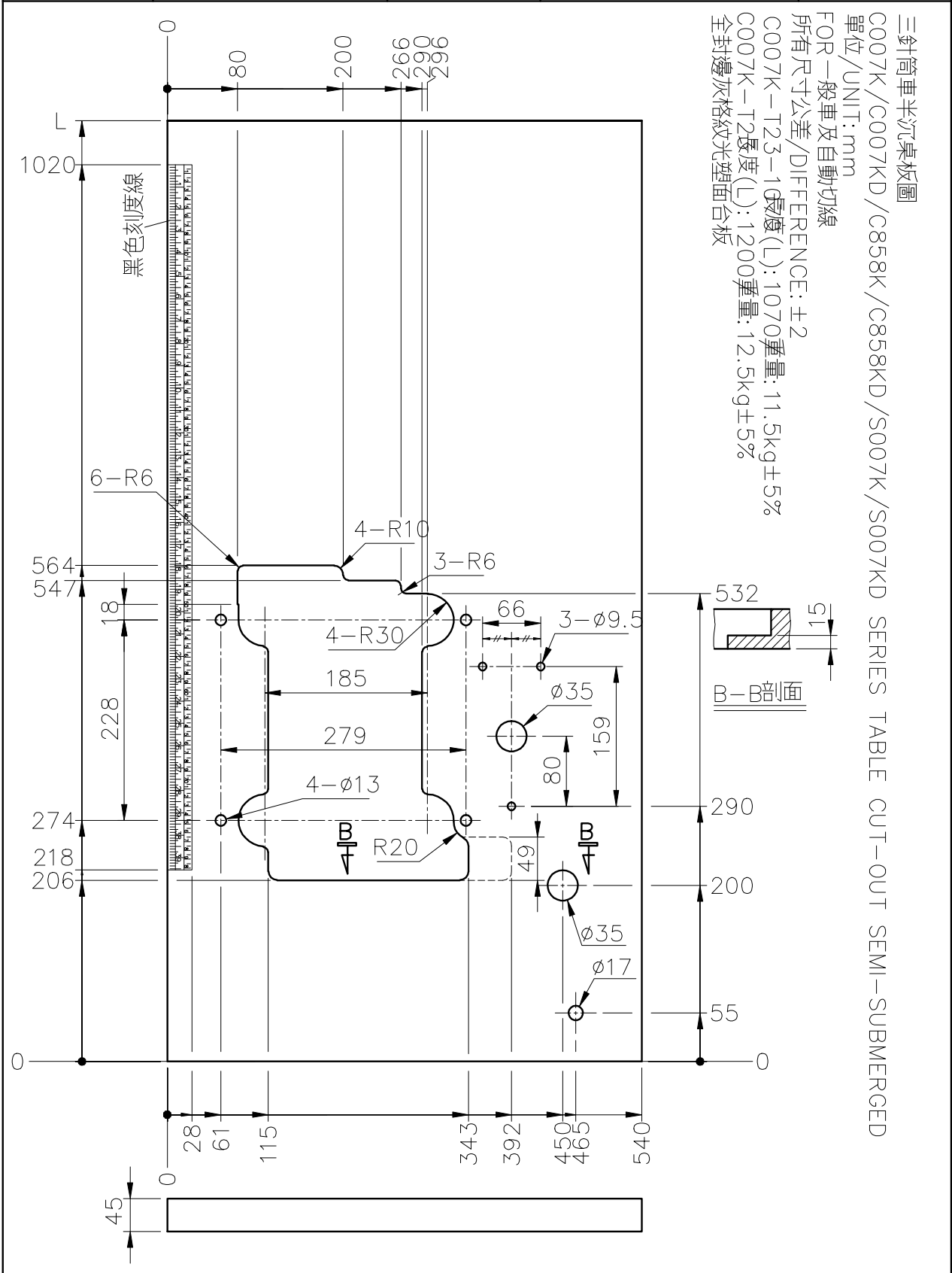
S007K-T2-1070長度(L):1070/重量:11.5kg±5%

S007K-T2長度(L):1200/重量:12.5kg±5%

全封邊灰格紋光塑面台板



SIRUBA TABLE CUT - OUT	Series	Item Code	Subclass / Remark	Mounting
	C007K/C007KD C858K/C858KD S007K/S007KD	C007K-T23	For All Series	Semi-submerged
				Date 2013/01/26



SIRUBA TABLE CUT - OUT	Series	Item Code	Subclass / Remark	Mounting
	C007K/C007KD C858K/C858KD S007K/S007KD	C007K-T25	For All Series excluding ① RLP,RLQ Celastic tape attaching ② CRL Models ③ Condensed stitch(CAR,CMR,SAR,SER--)	Non-submerged
				Date 2013/01/26

三針筒車上乘桌板圖
 C007K/C007KD/C858K/C858KD/S007K/S007KD SERIES TABLE CUT-OUT SEMI-SUBMERGED
 單位 / UNIT : mm
 FOR CRL:CRL/UTP.Q
 所有尺寸公差 / DIFFERENCE: ±2
 C007K-T25-1070長度(L):1070 / 重量:11.3kg±5%
 C007K-T25長度(L):1200 / 重量:12.3kg±5%
 全封邊灰格紋光塑面台板

