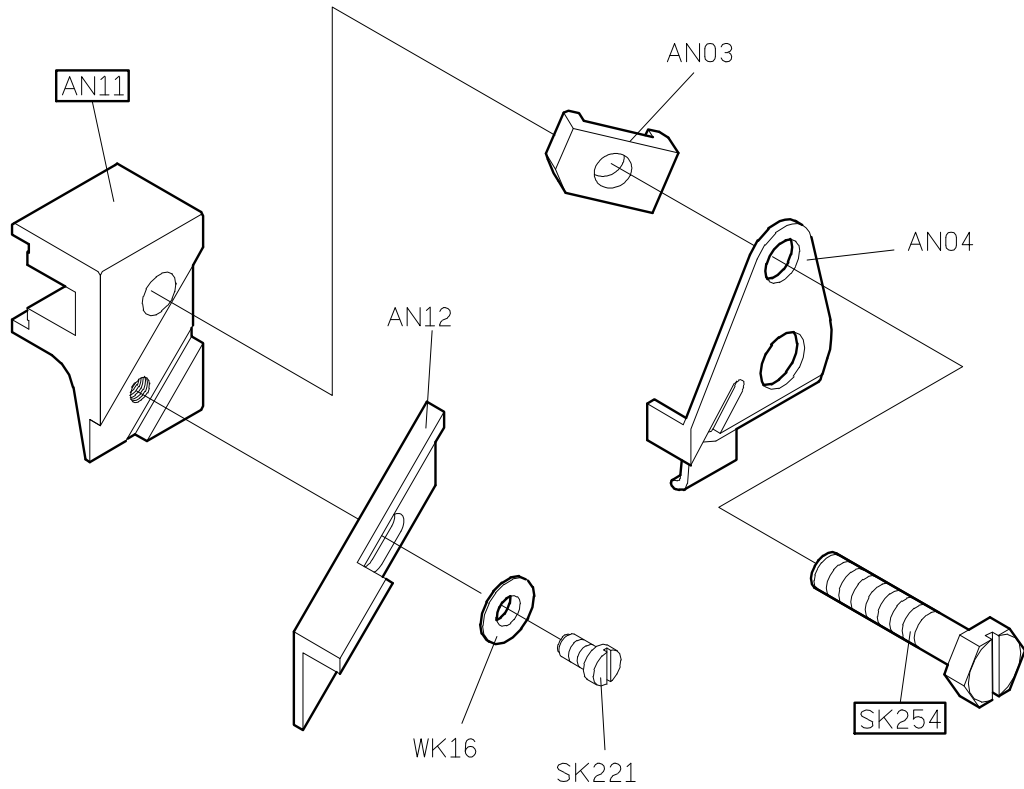


| | | | | |
|------------------------------------|---------------|--------------------|--------------------------|-------------|
| SIRUBA PARTS LIST | Series | Parts Group | Subclass / Remark | Page |
| | 700F | AN-F | | 1/1 |
| | | | | Date |
| | | | | 2013/08/10 |

| | | |
|----------|-------|-------|
| MODEL | #3/#4 | #5/#6 |
| PARTS NO | AN11 | AN01 |
| | SK254 | SK348 |



1

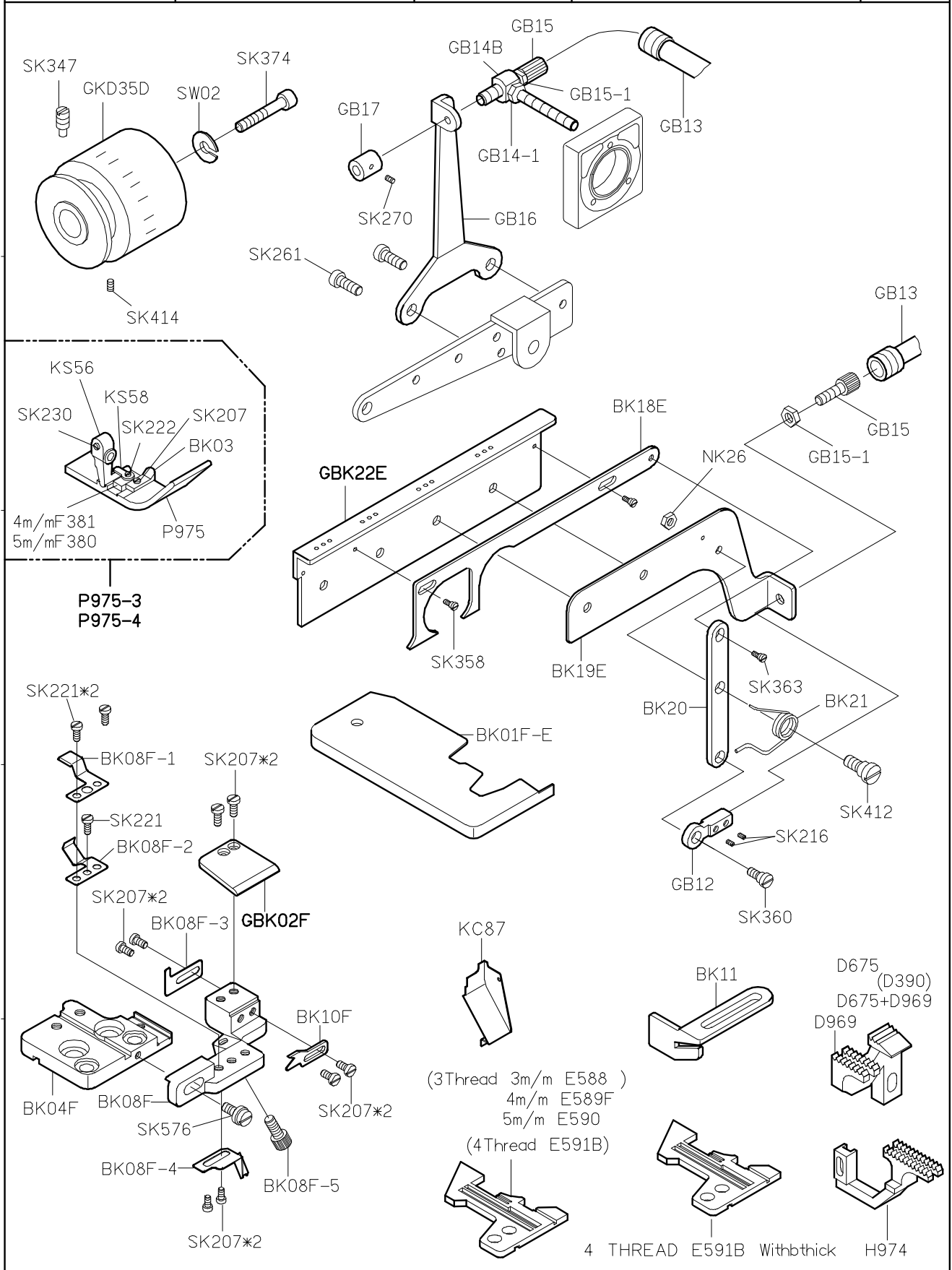
2

3

4

5

| | | | | |
|------------------------------------|---------------|--------------------|--------------------------|-------------|
| SIRUBA PARTS LIST | Series | Parts Group | Subclass / Remark | Page |
| | 700F | BK-F | | 1/1 |
| | | | | Date |
| | | | | 2013/08/10 |



1 2 3 4 5

| | | | | | |
|------------------------------------|---------------|--|--------------------|--------------------------|-------------------|
| SIRUBA PARTS LIST | Series | | Parts Group | Subclass / Remark | Page |
| | 700F | | EC-F | ●:Use for Long Knife | 1/3 |
| | | | | | Date |
| | | | | | 2013/08/10 |

| | | |
|----------|---------------|---------------|
| MODEL | 700F 700UX | 700H 700HD |
| PARTS NO | CT45 KC26 | CT46 KC96 |

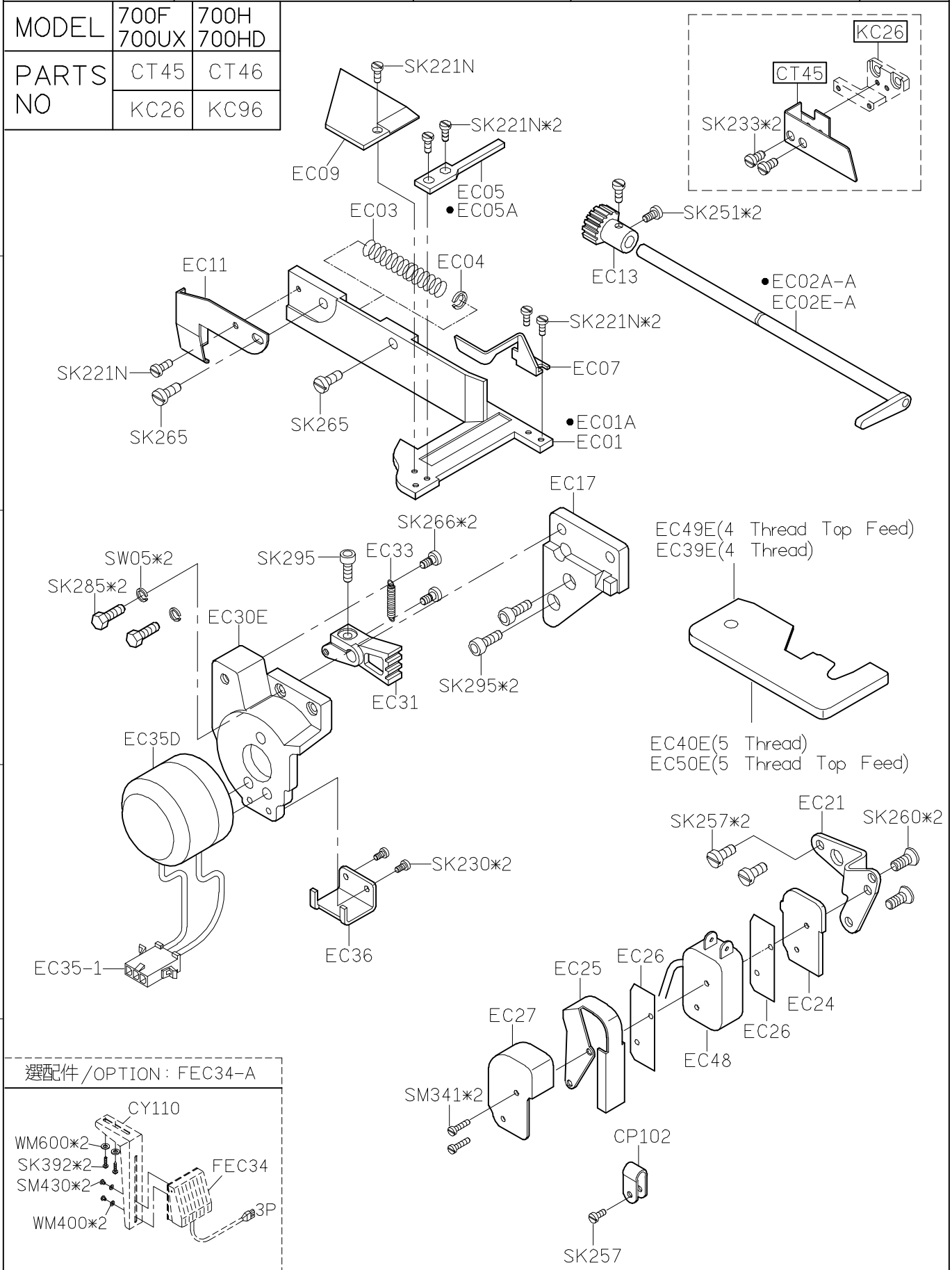
A

B

C

D

E



1

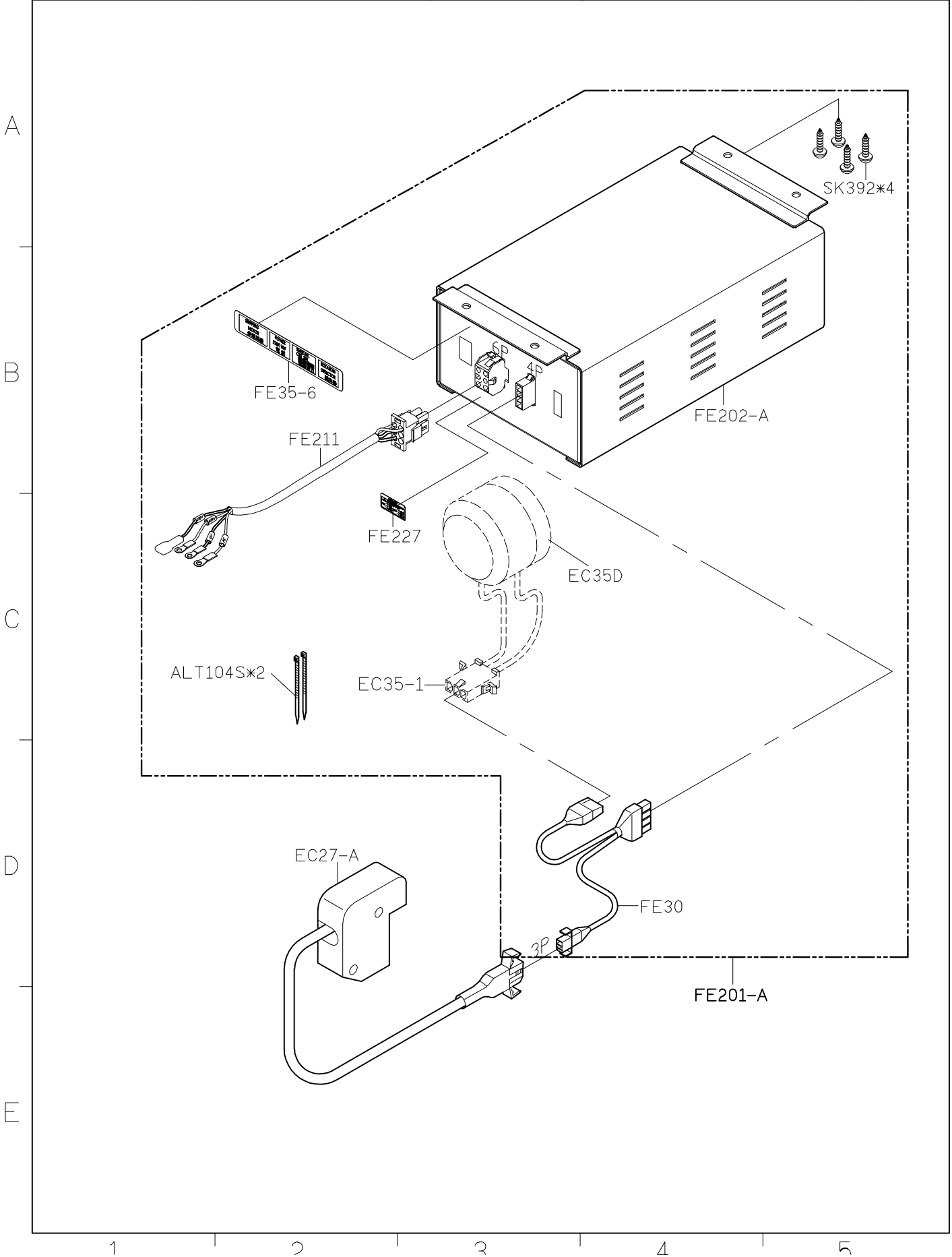
2

3

4

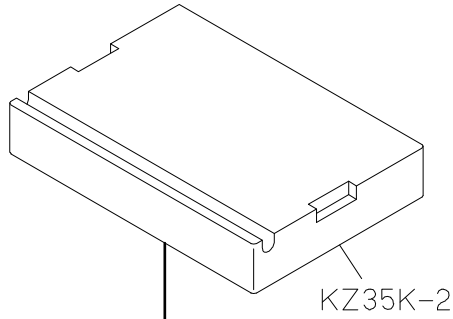
5

| SIRUBA PARTS LIST | Series | Parts Group | Subclass / Remark | Page |
|----------------------|--------|-------------|-------------------|------------|
| | 700F | EC-F | | 2/3 |
| | | | | Date |
| | | | | 2013/08/10 |



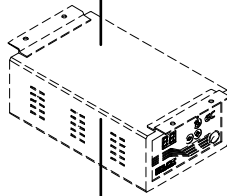
| SIRUBA PARTS LIST | Series | Parts Group | Subclass / Remark | Page |
|----------------------|--------|-------------|-------------------|------------|
| | 700F | EC-F | | 3/3 |
| | | | | Date |
| | | | | 2013/08/10 |

A

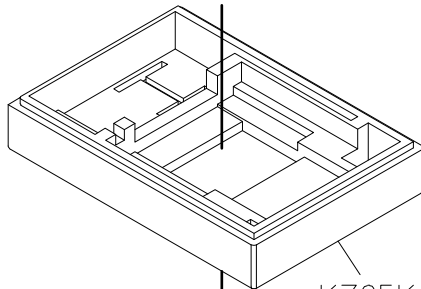


KZ35K-2

B

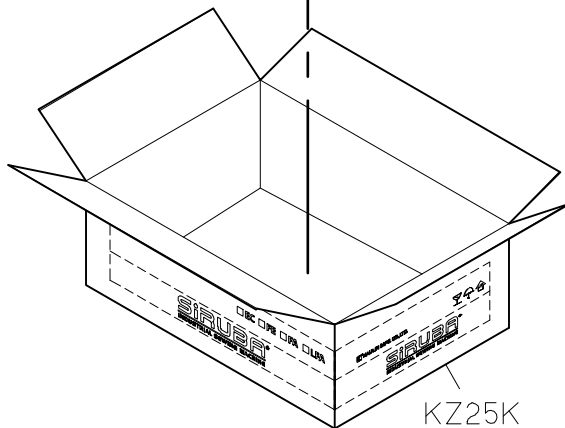


C



KZ35K-1

D



KZ25K

E

1

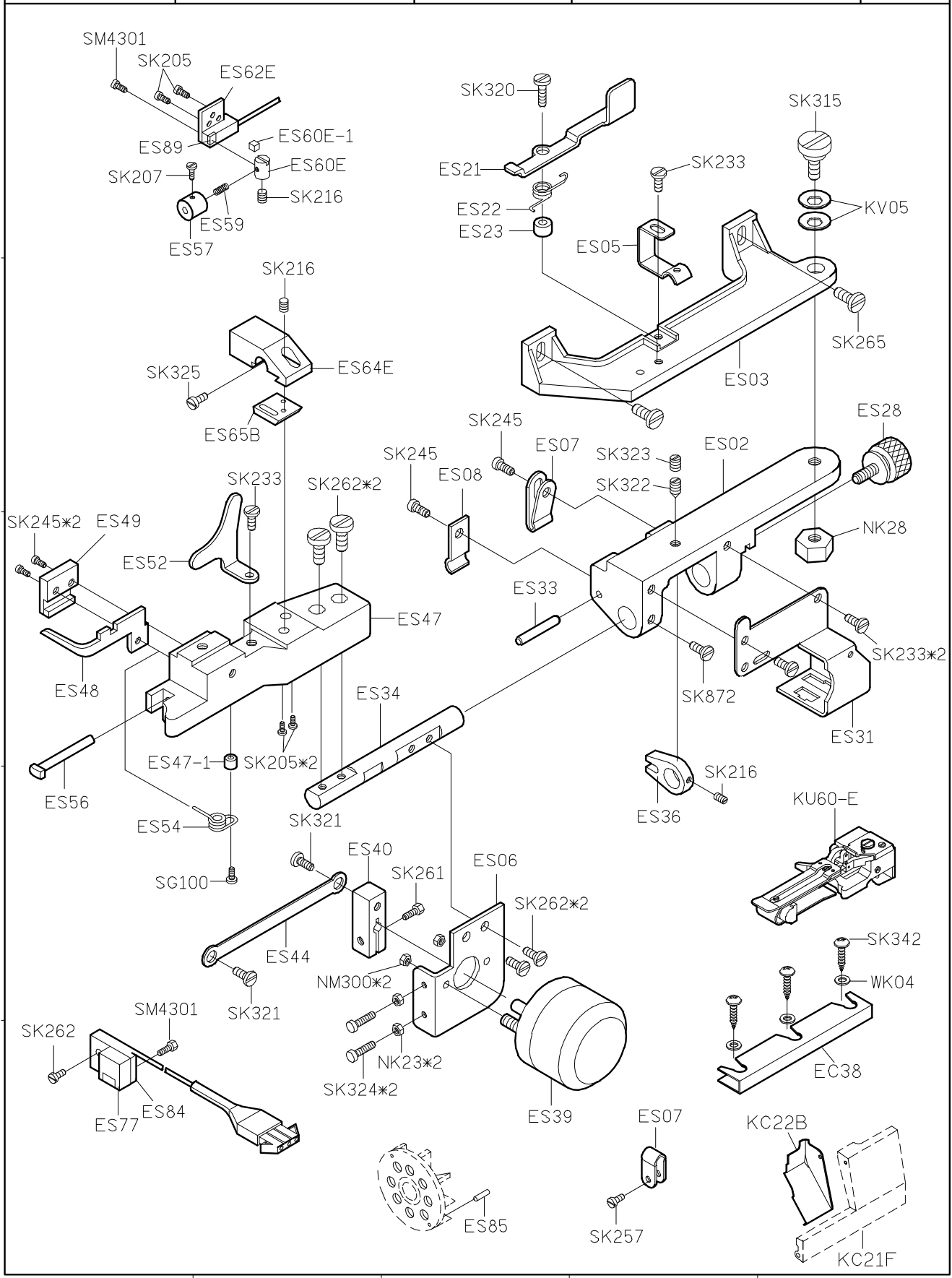
2

3

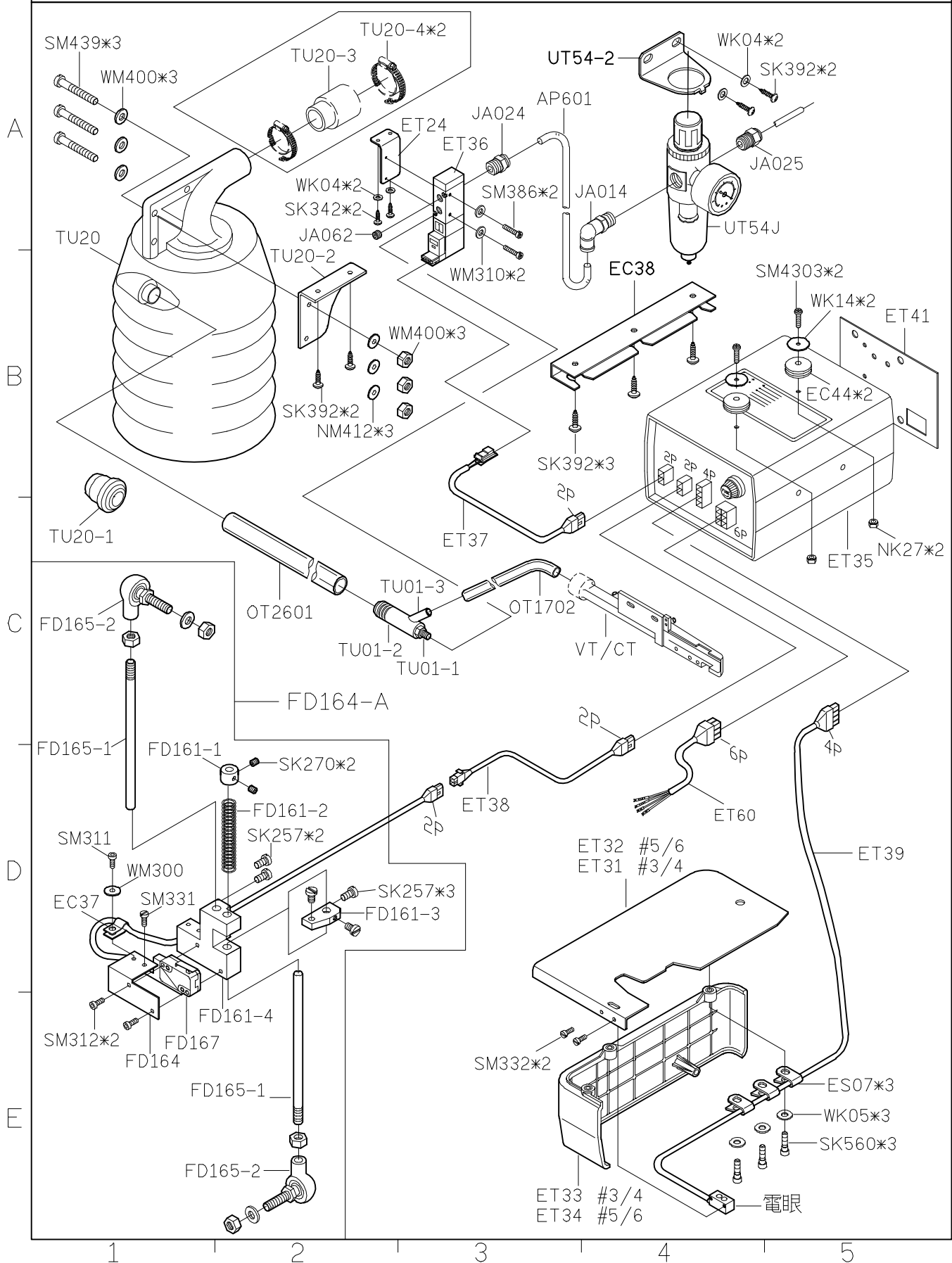
4

5

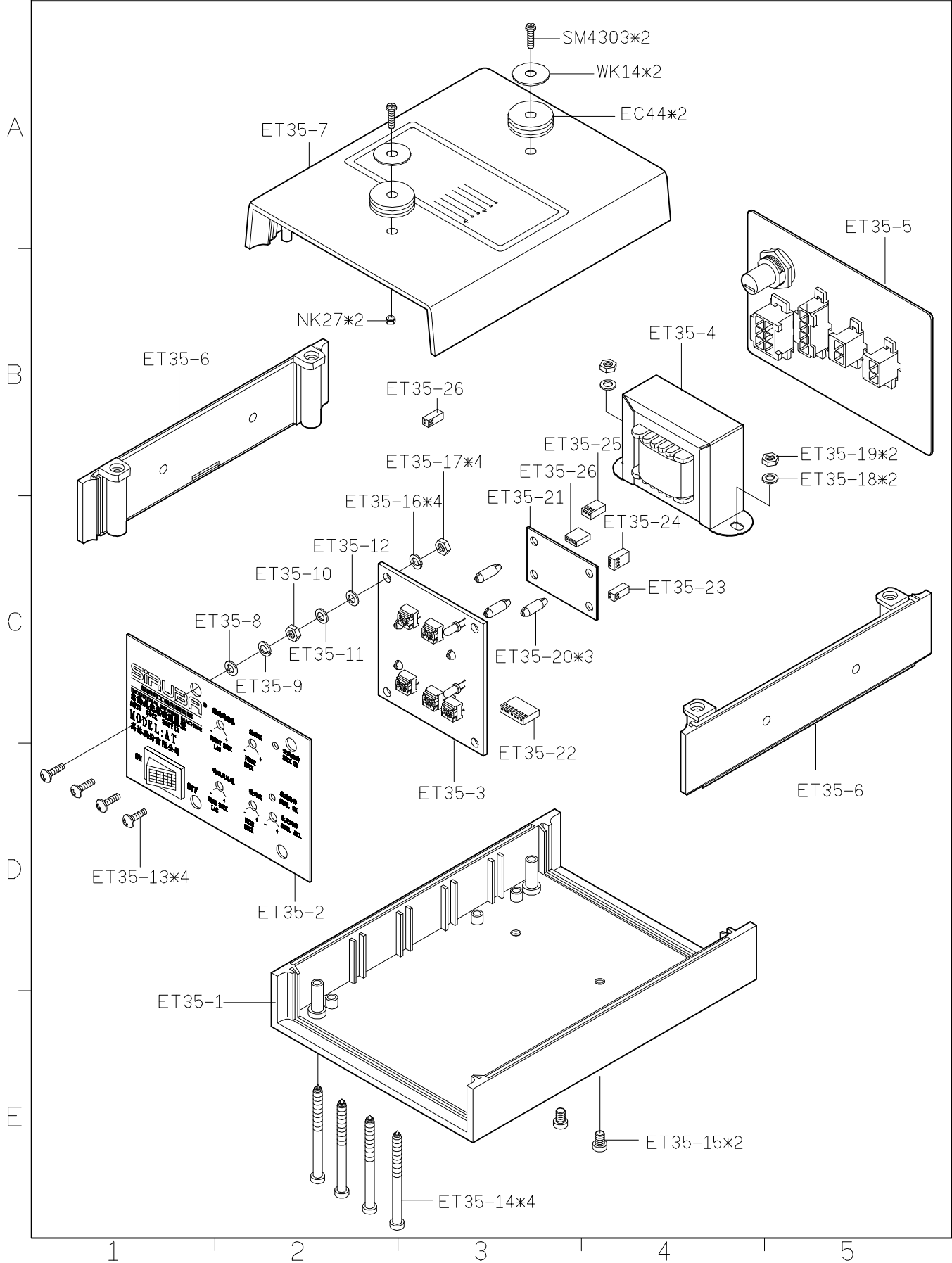
| | | | | |
|------------------------------------|------------------------------|-----------------------------------|--------------------------|--------------------|
| SIRUBA PARTS LIST | Series 700F | Parts Group ES-F | Subclass / Remark | Page 1/2 |
| | | | | Date |
| | | | | 2013/08/10 |

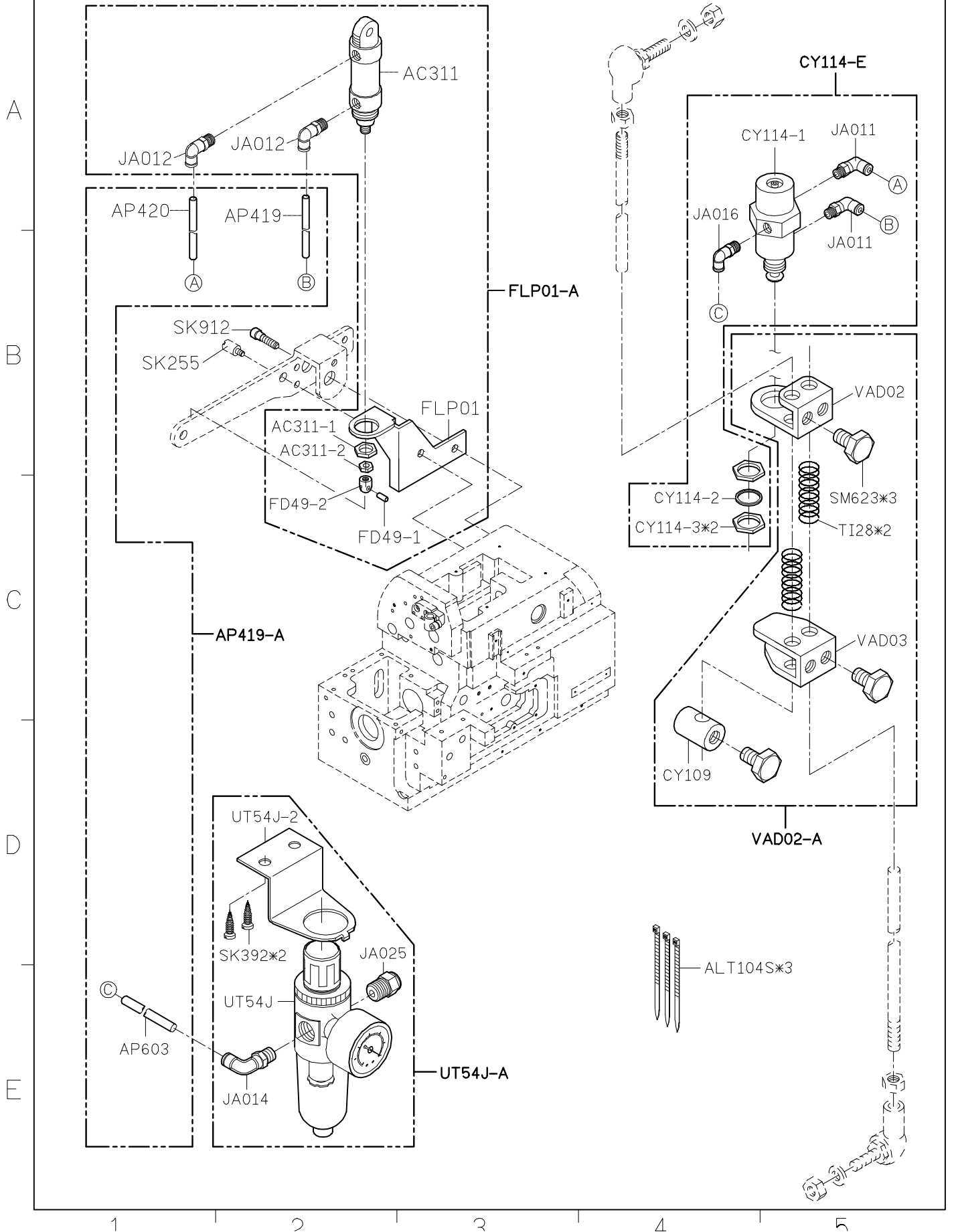


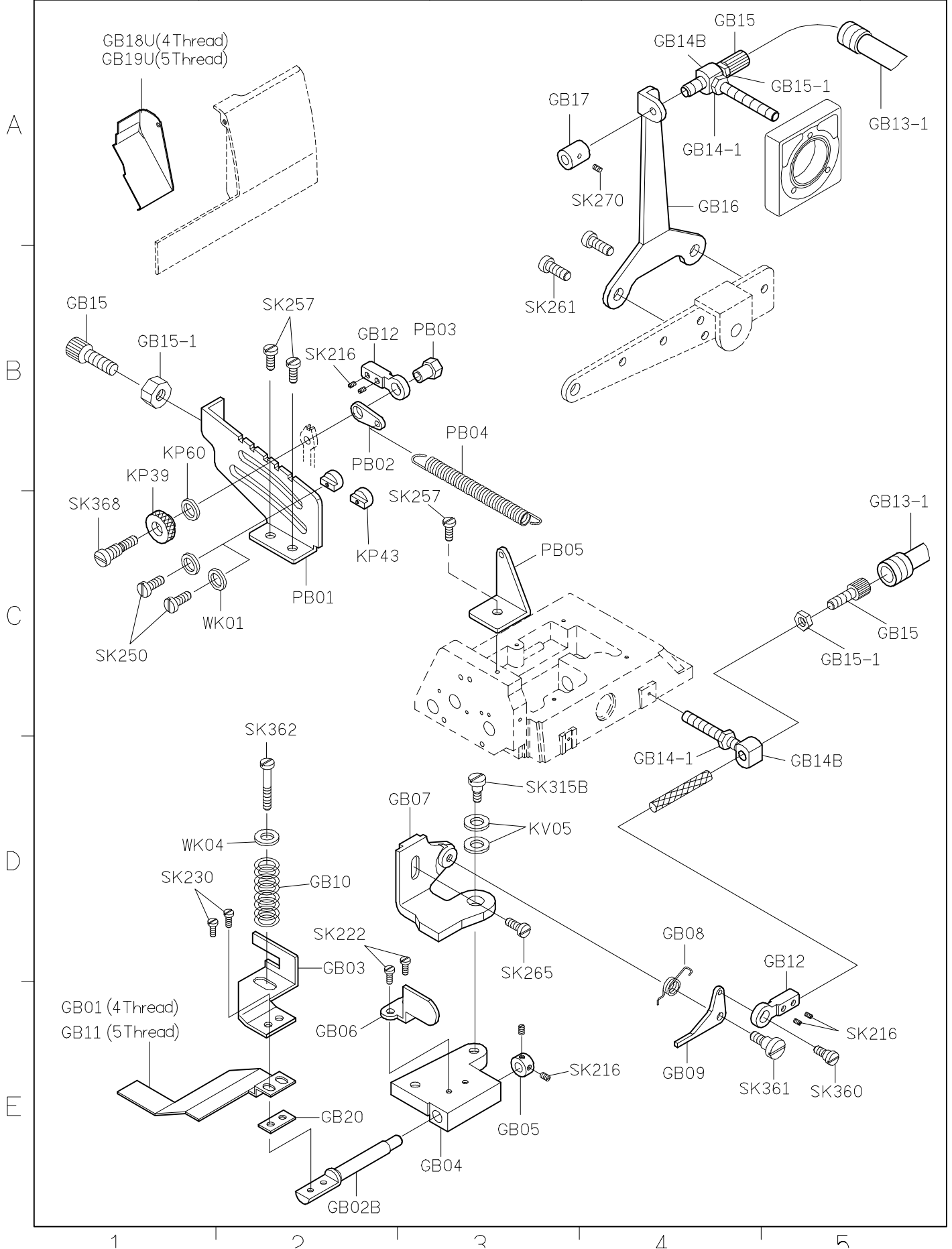
PARTS LIST FOR ET GROUP 系列圖 1



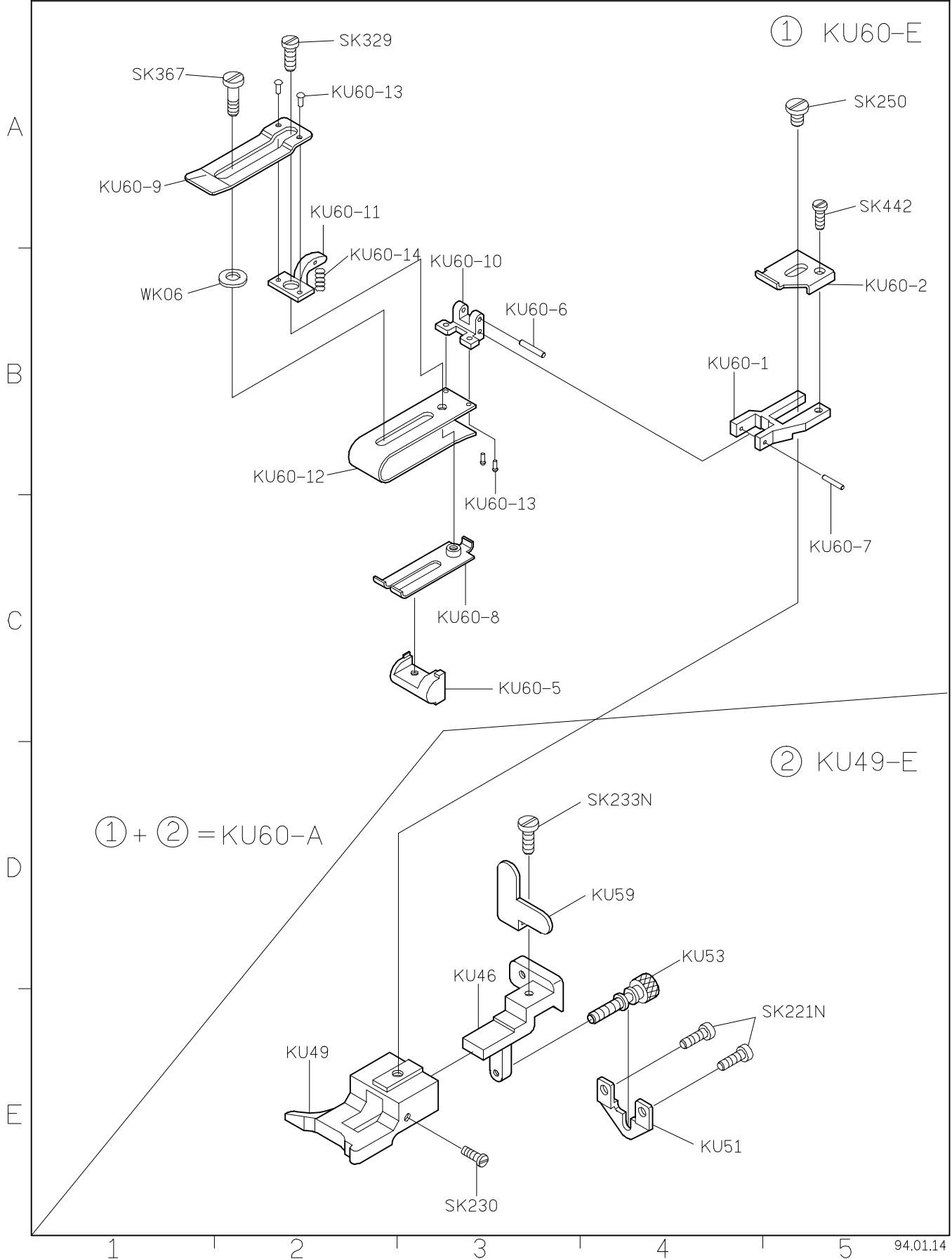
PARTS LIST FOR ET GROUP 系列圖 2



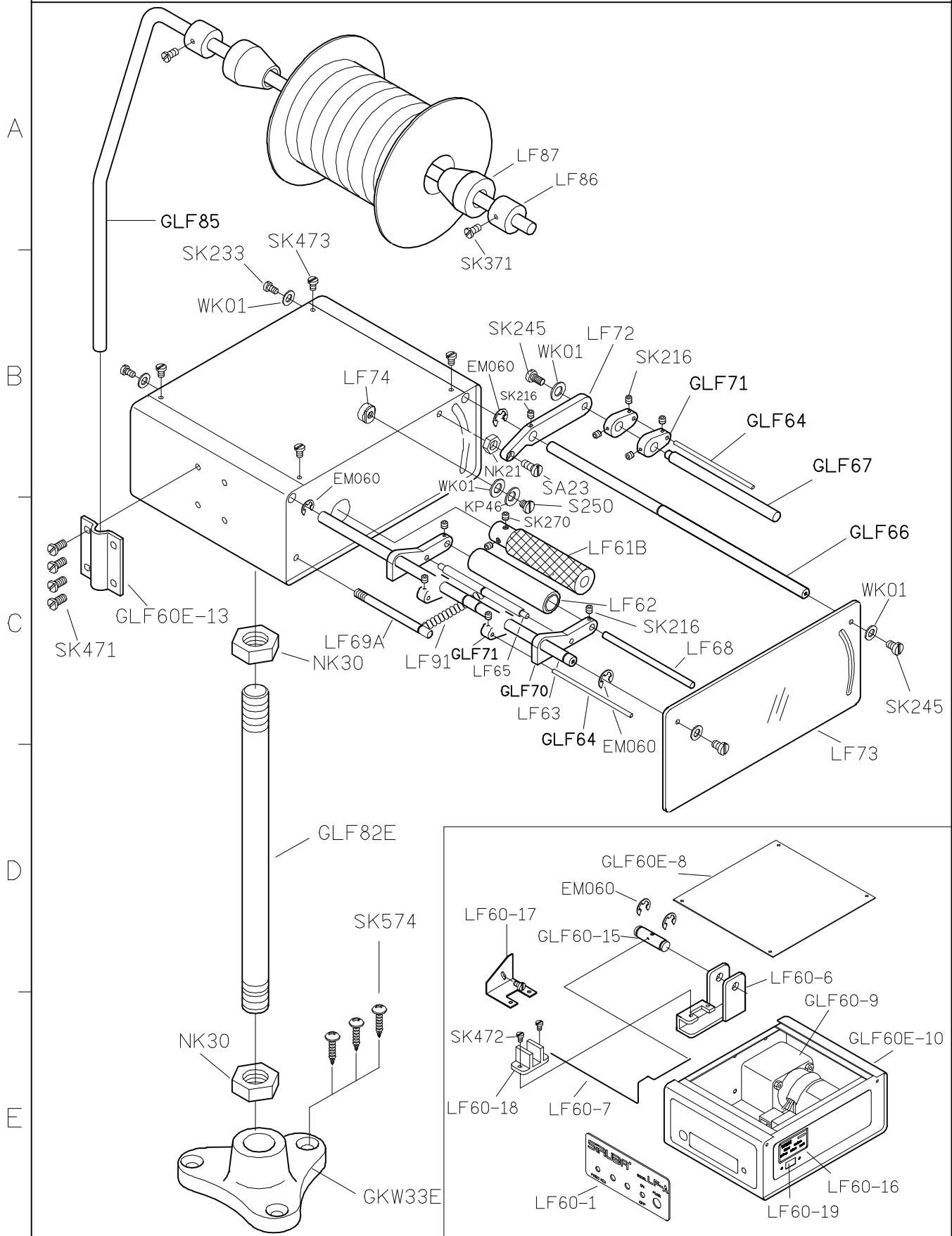




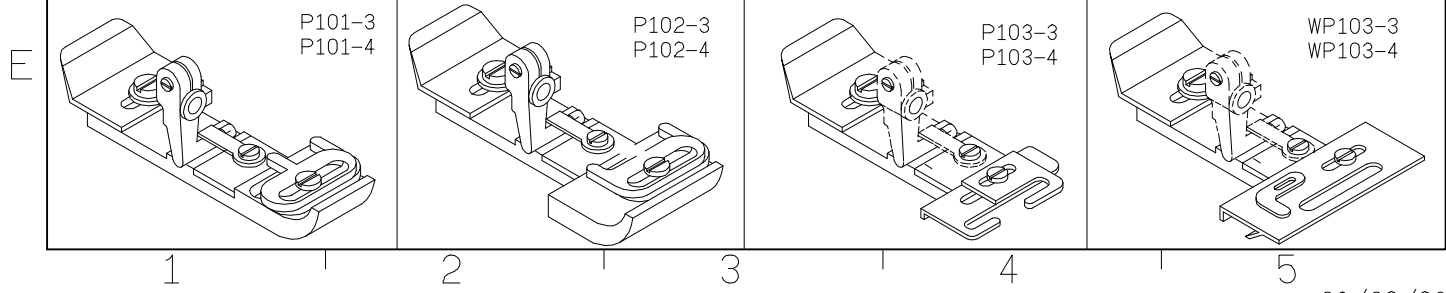
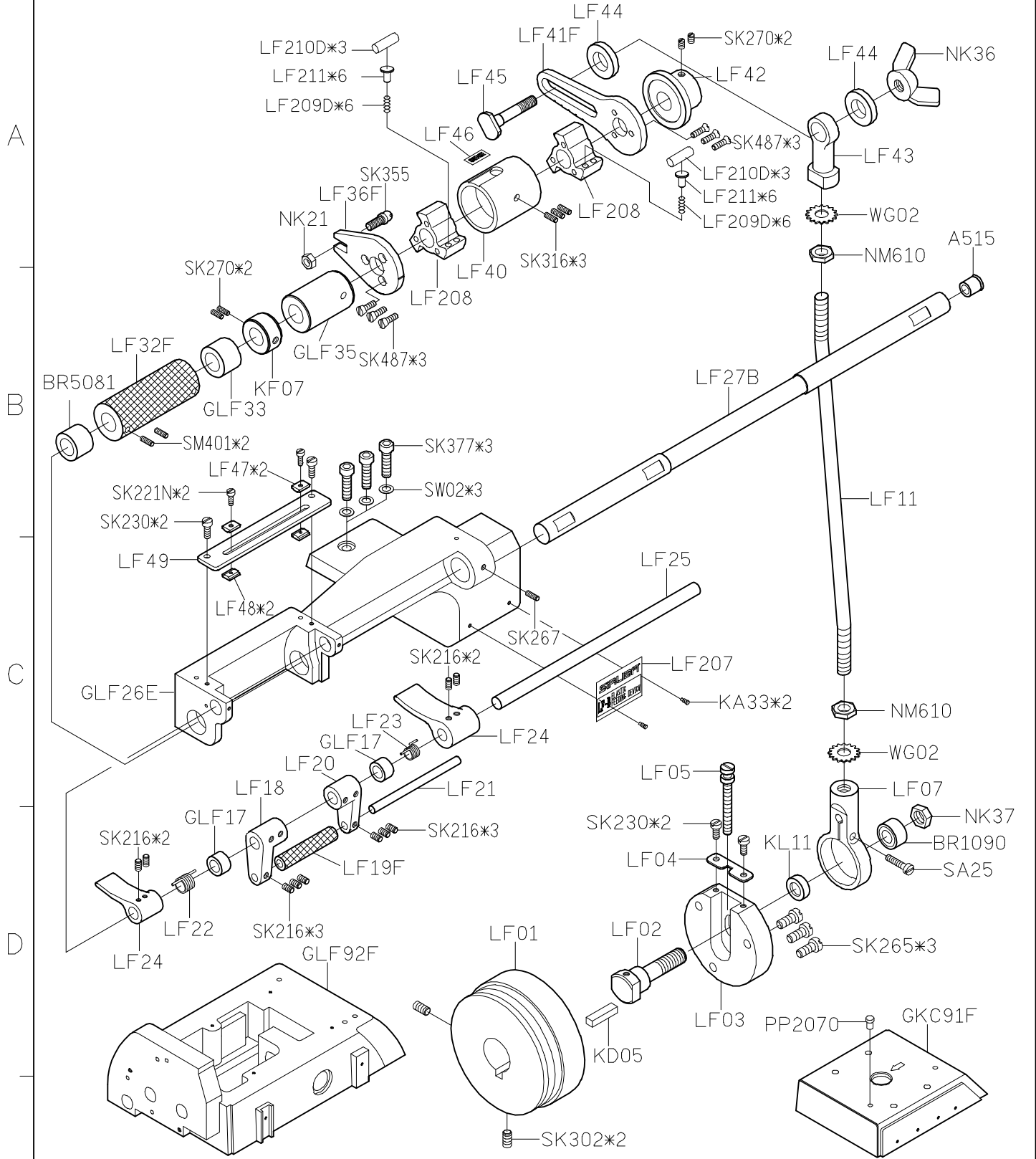
PARTS LIST FOR KU60-A GROUP 系列圖 1

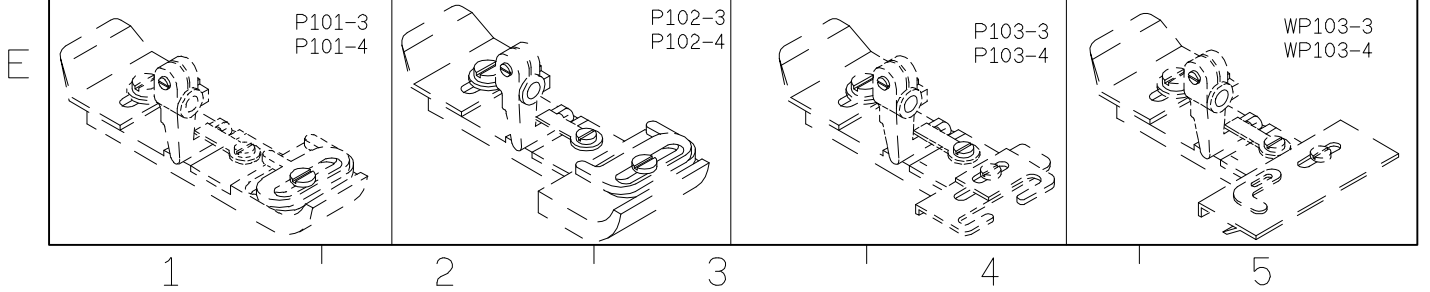
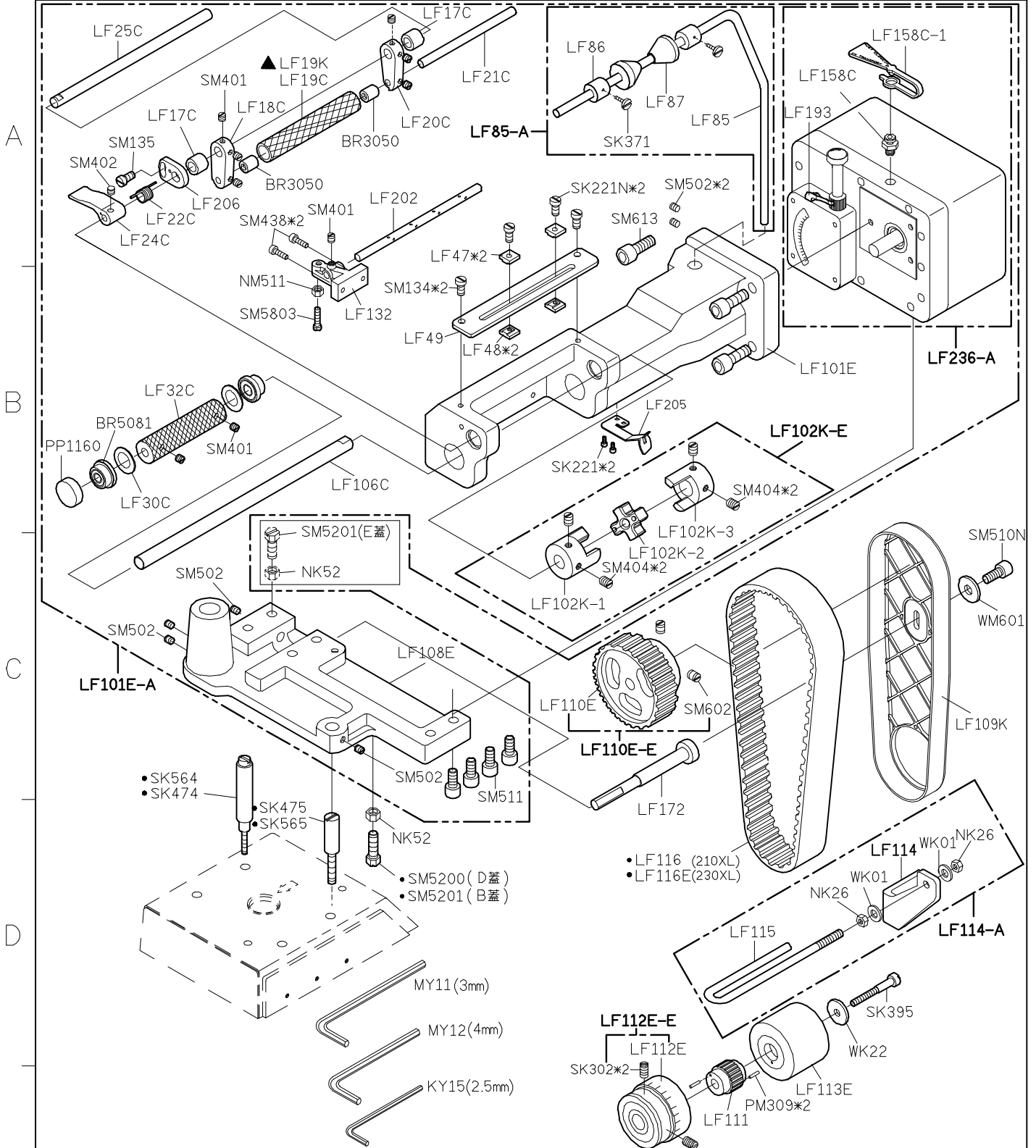


PARTS LIST FOR LF-A GROUP 系列圖 1

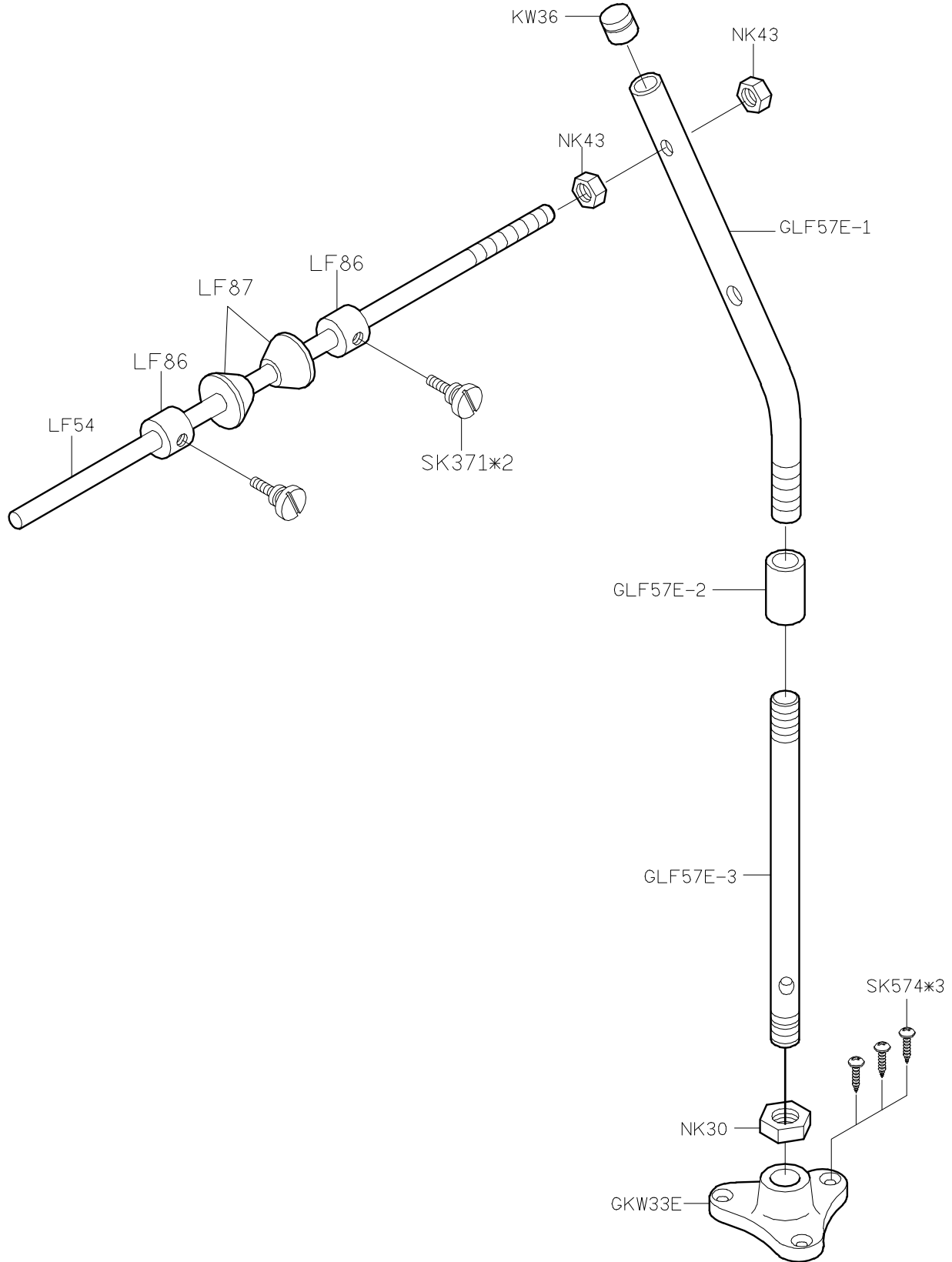


PARTS LIST FOR LF-B GROUP 系列圖 1





| SIRUBA PARTS LIST | Series | Parts Group | Subclass / Remark | Page |
|----------------------|--------|-------------|-------------------|------------|
| | 700F | LS | | 1/1 |
| | | | | Date |
| | | | | 2013/09/10 |



1

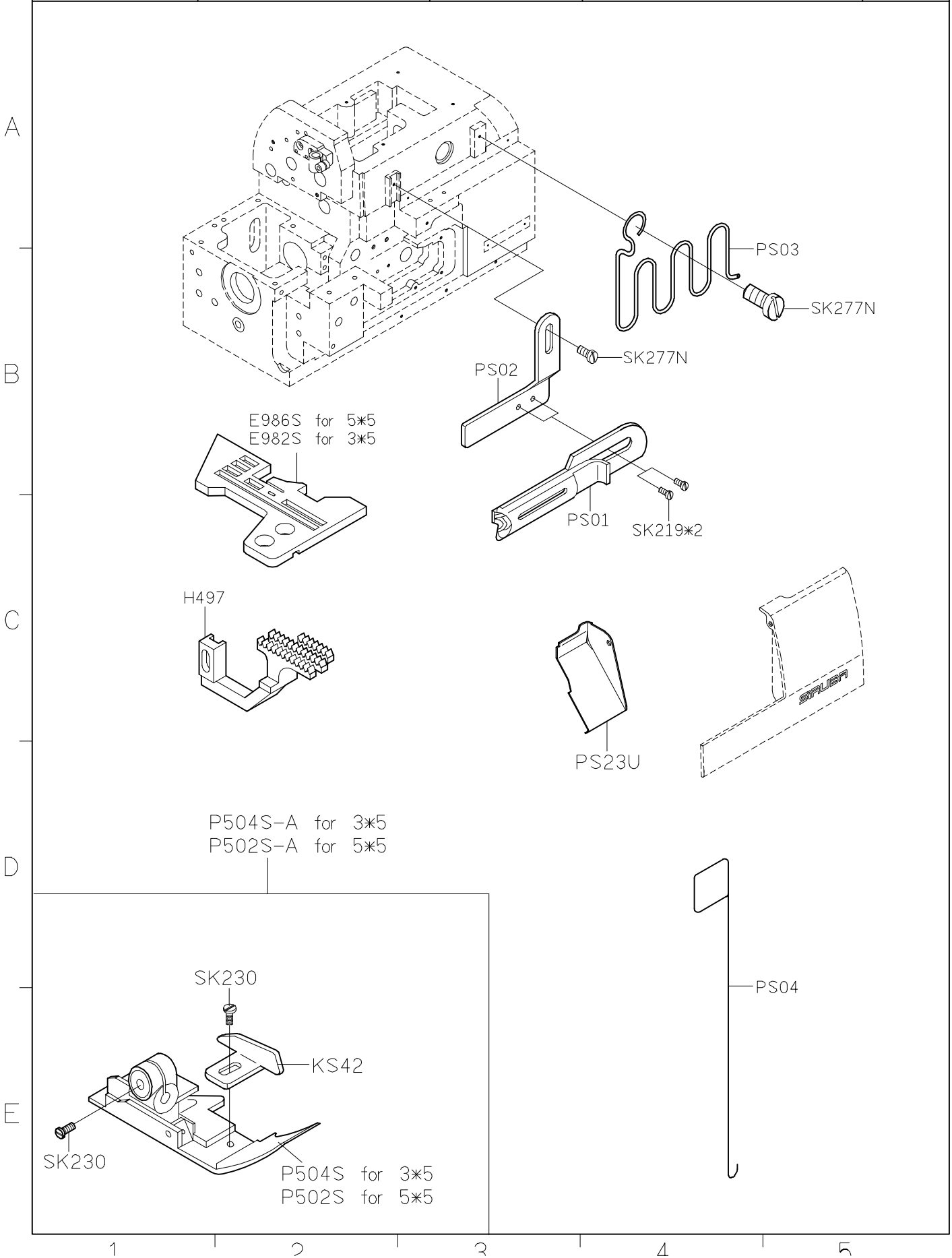
2

3

4

5

| SIRUBA PARTS LIST | Series | Parts Group | Subclass / Remark | Page |
|----------------------|--------|-------------|-------------------|------------|
| | 700F | PS-F | | 1/1 |
| | | | | Date |
| | | | | 2013/10/09 |



| SIRUBA PARTS LIST | Series | Parts Group | Subclass / Remark | Page |
|------------------------------------|-------------|-------------|-------------------|------------|
| | 700F | PZ-F | | 1/1 |
| | | | | Date |
| | | | | 2013/10/09 |

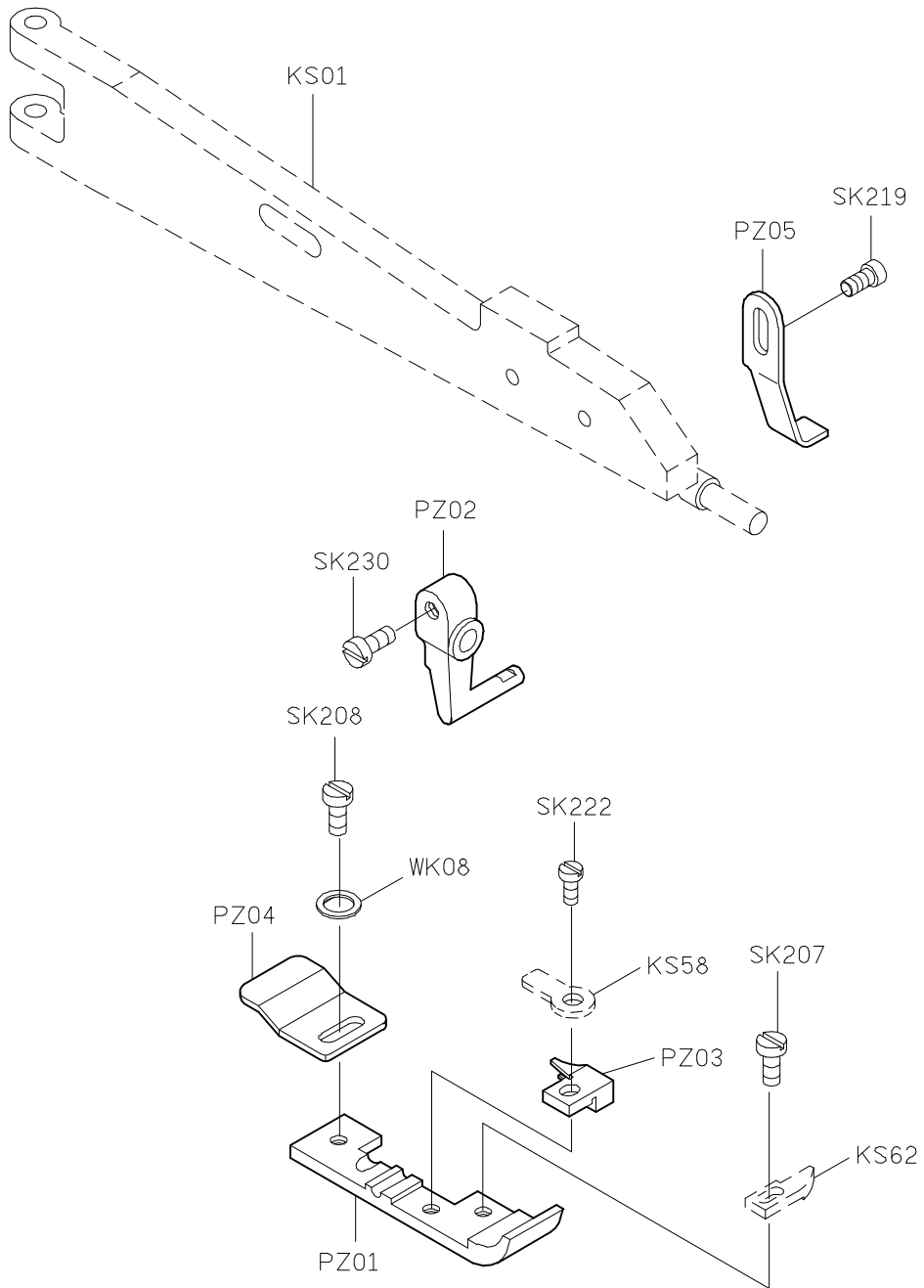
A

B

C

D

E



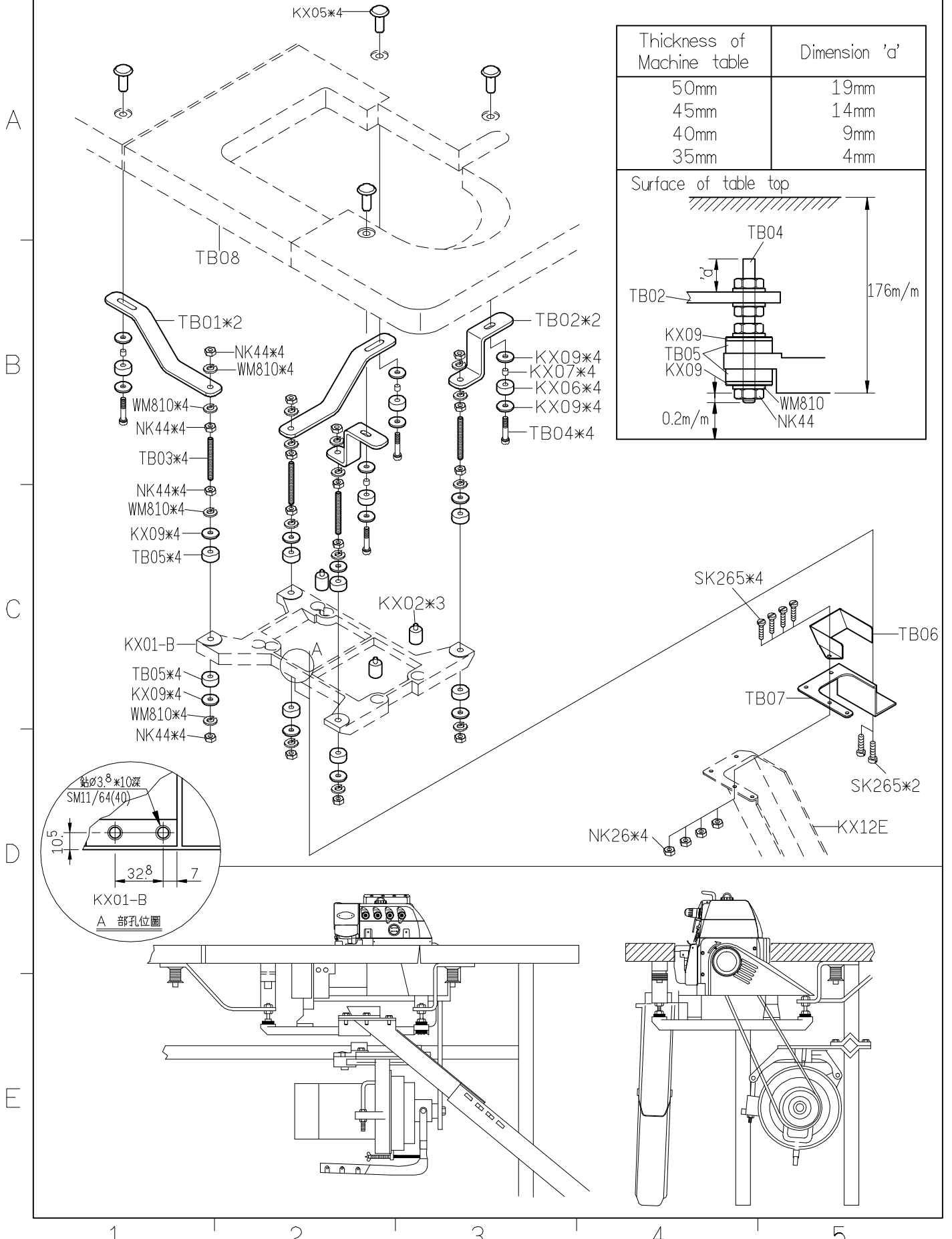
1

2

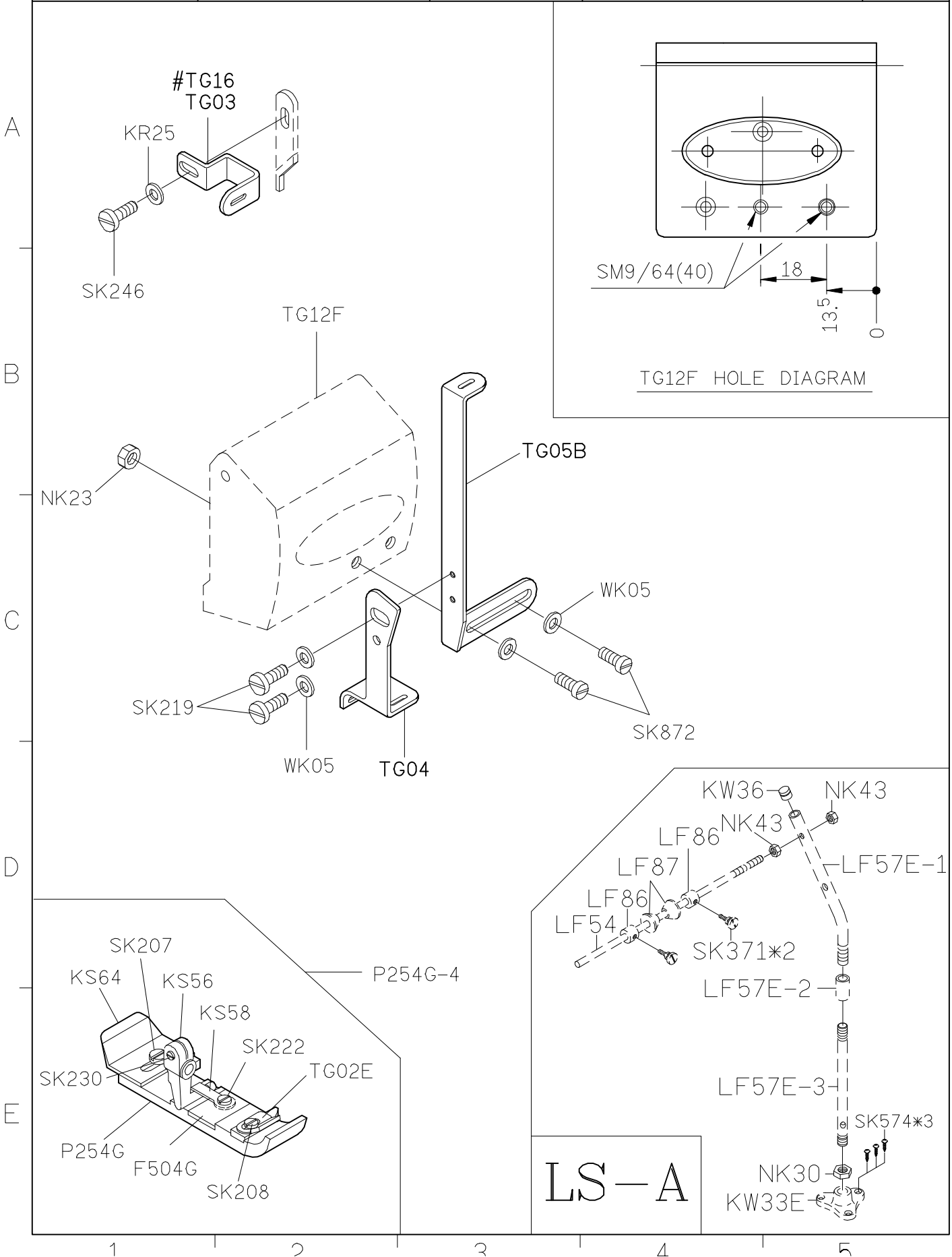
3

4

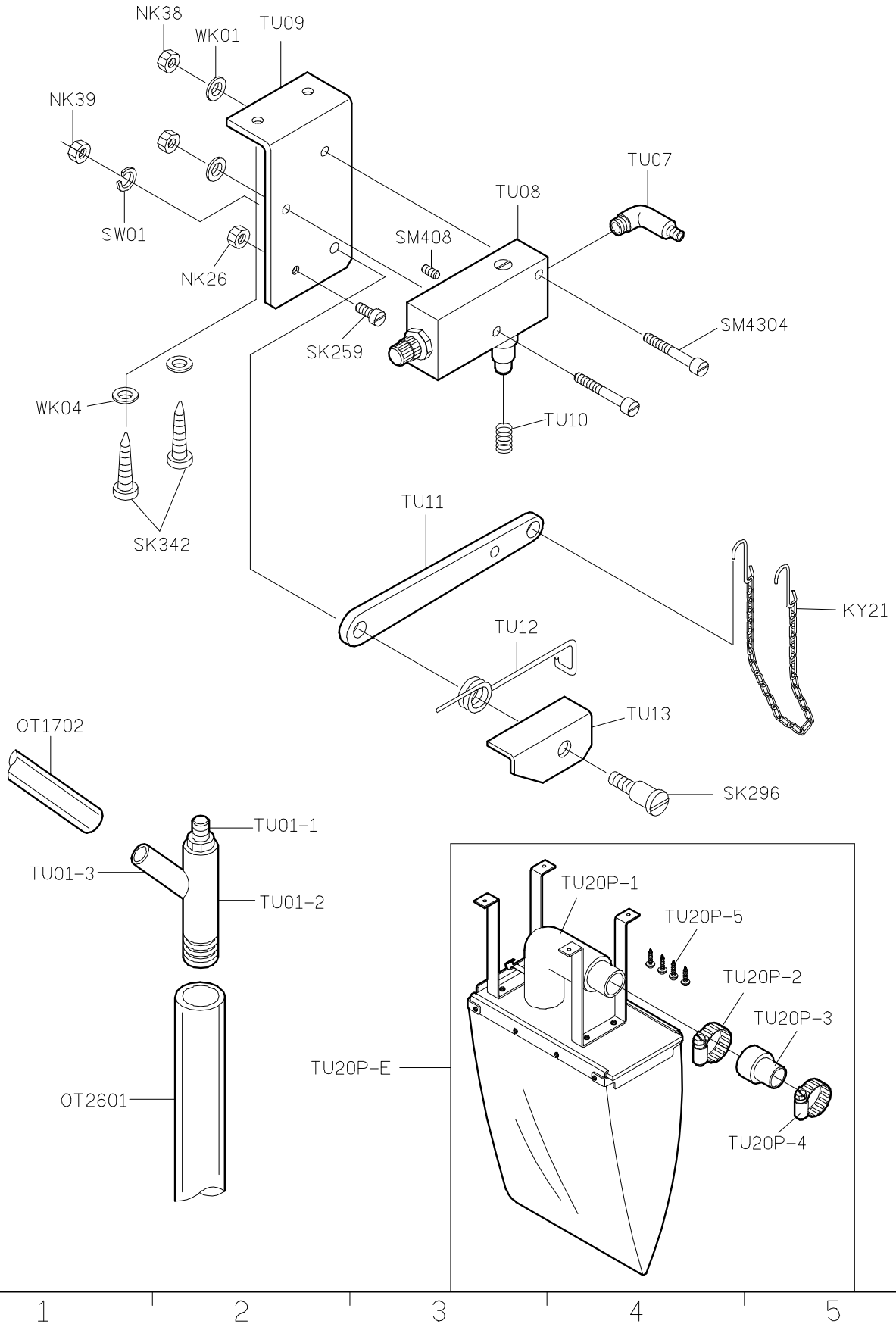
5



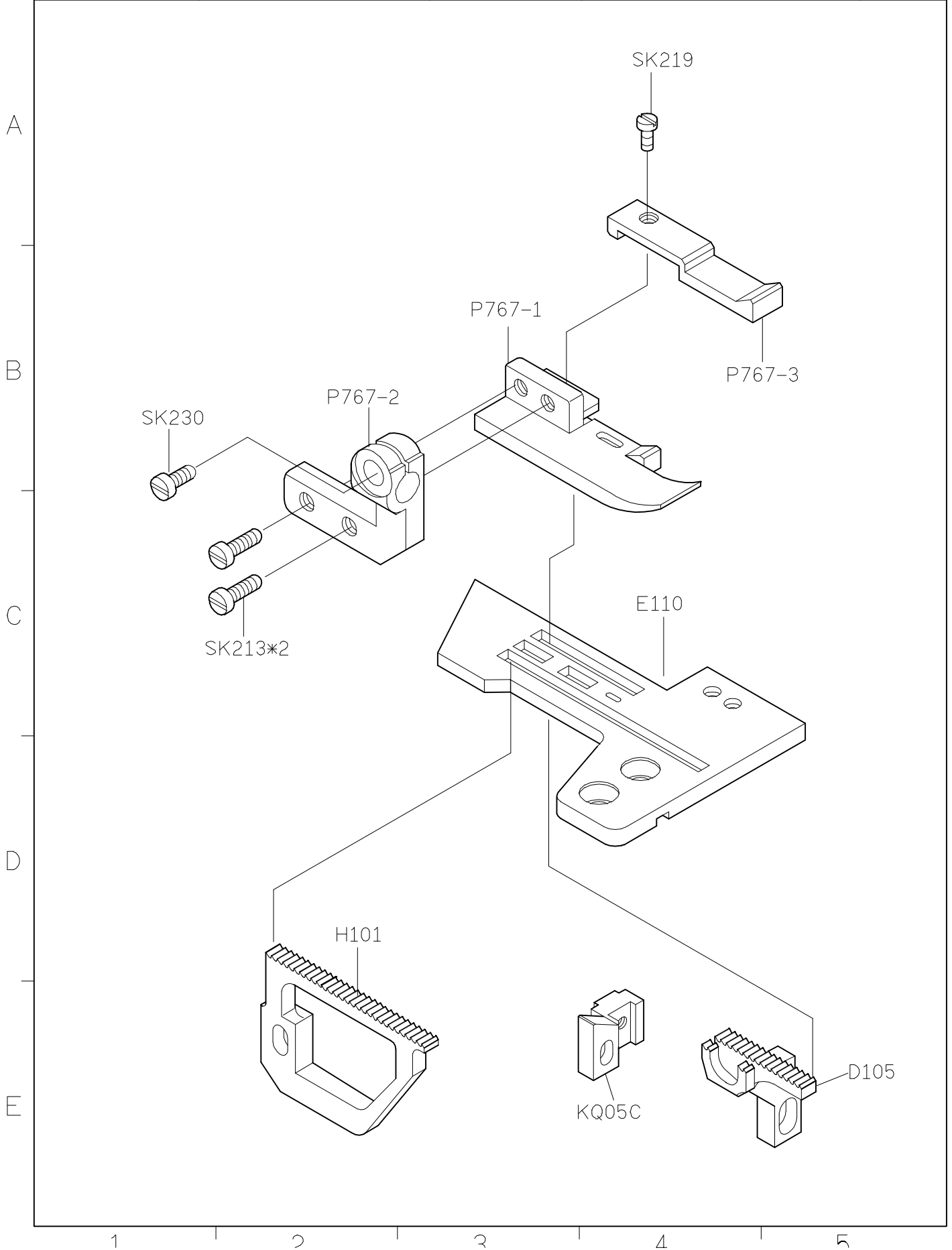
| SIRUBA PARTS LIST | Series | Parts Group | Subclass / Remark | Page |
|----------------------|--------|-------------|--|------------|
| | 700F | TG-F | The device of LS-A is shown for indication only, this device is not including it | 1/1 |
| | | | | Date |
| | | | | 2013/10/09 |



| SIRUBA PARTS LIST | Series | Parts Group | Subclass / Remark | Page |
|----------------------|--------|-------------|-------------------|------------|
| | 700F | TU | | 1/1 |
| | | | | Date |
| | | | | 2013/08/10 |



| SIRUBA PARTS LIST | Series | Parts Group | Subclass / Remark | Page |
|--|-------------|-------------|-------------------|------------|
| | 700F | TW-F | | 1/1 |
| | | | | Date |
| | | | | 2013/10/09 |



| | | |
|----------|------|---------------|
| MODEL | 700F | 700H 700HD |
| PARTS NO | | CT46 |

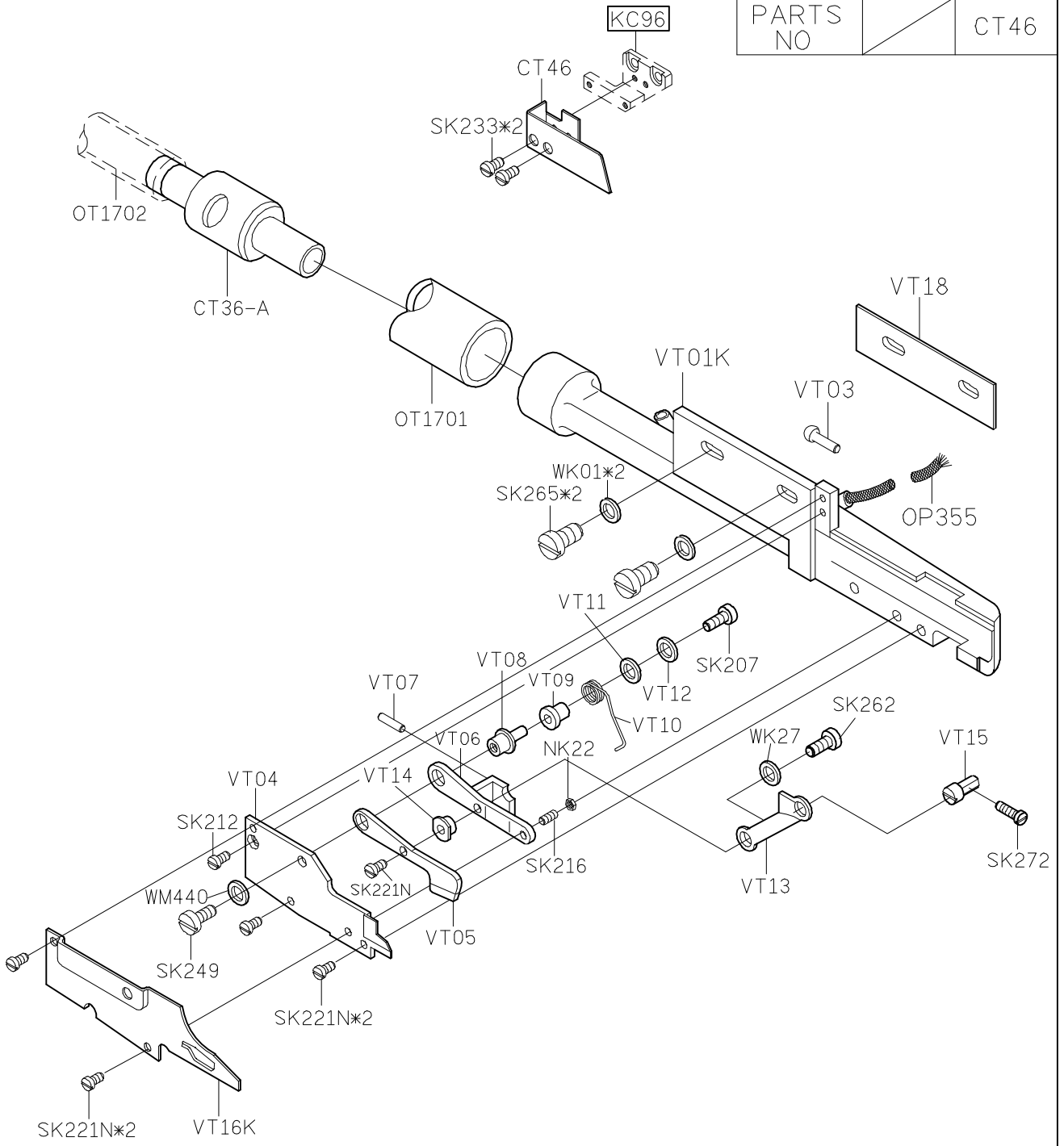
A

B

C

D

E



1

2

3

4

5

| SiRUBA PARTS LIST | Series | Parts Group | Subclass / Remark | Page |
|----------------------|--------|-------------|-------------------|------------|
| | 700F | WR-F | | 1/1 |
| | | | | Date |
| | | | | 2013/10/09 |

