

SIRUBA GAGE PARTS LIST	Series	Remark	Page	Date
	L819U	-X1 / -X2	1 / 1	2012/11/01

L819U規格件表 CONVERSION CHART

										
MODEL	SUB-CLASS	OPERATING PANEL	NEEDLE PLATE	FEED DOG	PRESSER FOOT	HOOK ASM	BOBBIN CASE ASM	BOBBIN	NEEDLE	HAND WHEEL
機 型	規 格	操作盒	針 板	送 具	押 具	梭 頭	梭 殼	梭 子	針 號	皮帶輪
L819-X1-10 ? L819-X1-13 ? L819-X1-13P	厚布料 ? 特厚布料	C-60M	E702	D702	P711/P712	G125	G202	G301	DB*1#21	LH101Q-A1
L819-X2-10 ? L819-X2-13 ? L819-X2-13P			E702	D702	P711/P712	G132K	G205	G302	DB*1#21	

(G132K為：佐文KHS20-RMPN)

SIRUBA MODEL COMPARE LIST	Series	Remark	Page	Date
	L819/L819U	-X1/-X2	1/2	2012/11/01

L819/L819U 型別件表

										
MODEL	SUB-CLASS	BAD	THRAD TAKE UP LEVER COVER	THREAD PLATE	THREAD PLATE	THREAD PLATE	THREAD PLATE	MOVABLE KINFE BRACKET	FIXED KINFE	FIXED KINFE
機 型	規 格	機體下座	天秤蓋	導線片	導線片	導線片	導線片	活動刀轉座	固定刀	固定刀
L819 /X1	厚布料	LA101	LA11F	LA34	—	LA125	—	—	—	—
L819 /X2		LA501	LA511	—	YA24	—	YA25	—	—	—
L819-TRIMMER /X1		LA101P	LA11F	LA34	—	LA125	—	LU100D	LU711	—
L819-TRIMMER /X2		LA501P	LA511	—	YA24	—	YA25	LU500	—	LU503

SIRUBA MODEL COMPARE LIST	Series	Remark	Page	Date
	L819/L819U	-X1/-X2	2/2	2012/11/01

L819/L819U 型別件表

													
MODEL	SUB-CLASS	FIXED KINFE FIXED BRACKET	FIXED KINFE FIXED BRACKET	THRAD TAKE UP LEVER	NEEDLE PLATE	BELT PLATE SPRING	MOVABLE KINFE						
機 型	規 格	固定刀固定座	固定刀固定座	天秤	針線導片	板狀彈簧	活動刀						
L819 /X1	厚布料	—	—	LG113	—	LM08	—						
L819 /X2		—	—	LG513	—	LM26	—						
L819-TRIMMER /X1		LU118D	—	LG113	LU102	—	LU100D						
L819-TRIMMER /X2		—	<table border="1" style="font-size: small;"> <tr><td>A</td><td>LU118</td></tr> <tr><td>B</td><td>SK718</td></tr> <tr><td>c</td><td>LU119</td></tr> </table>	A	LU118	B	SK718	c	LU119	LG513	LU502	—	LU500
A	LU118												
B	SK718												
c	LU119												

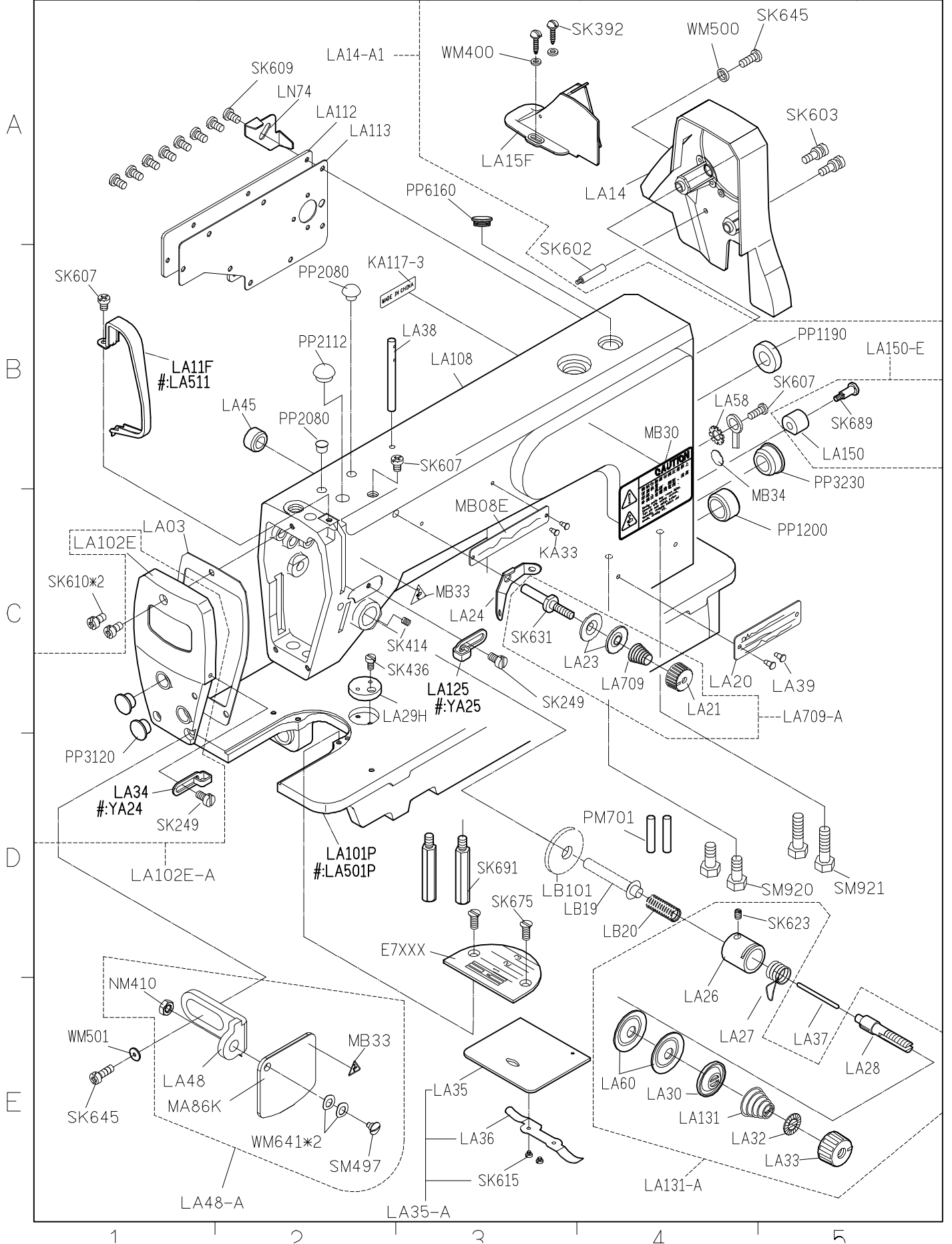
SIRUBA
PARTS LIST

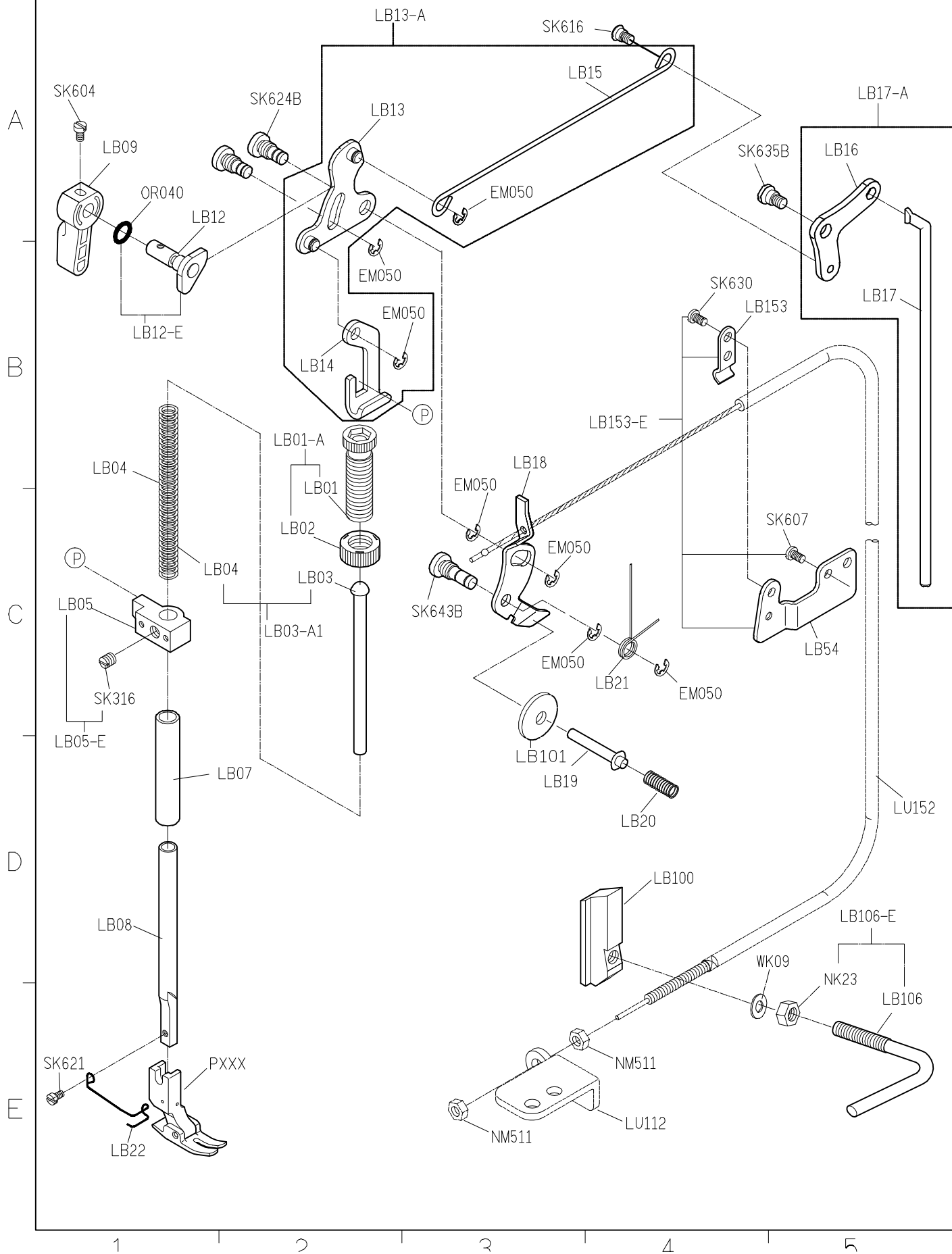
Series
L819U-X1/X2

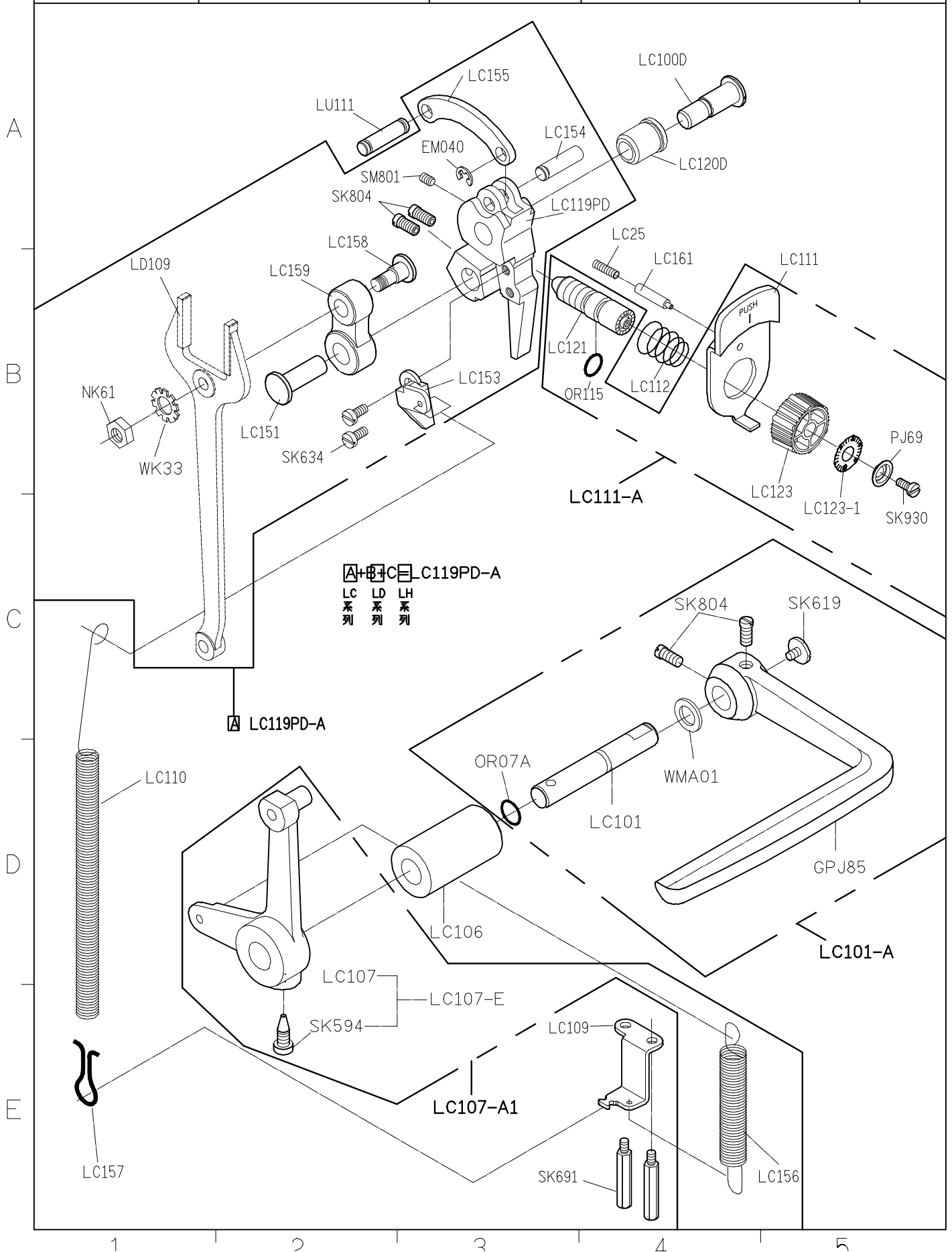
Parts Group
LA

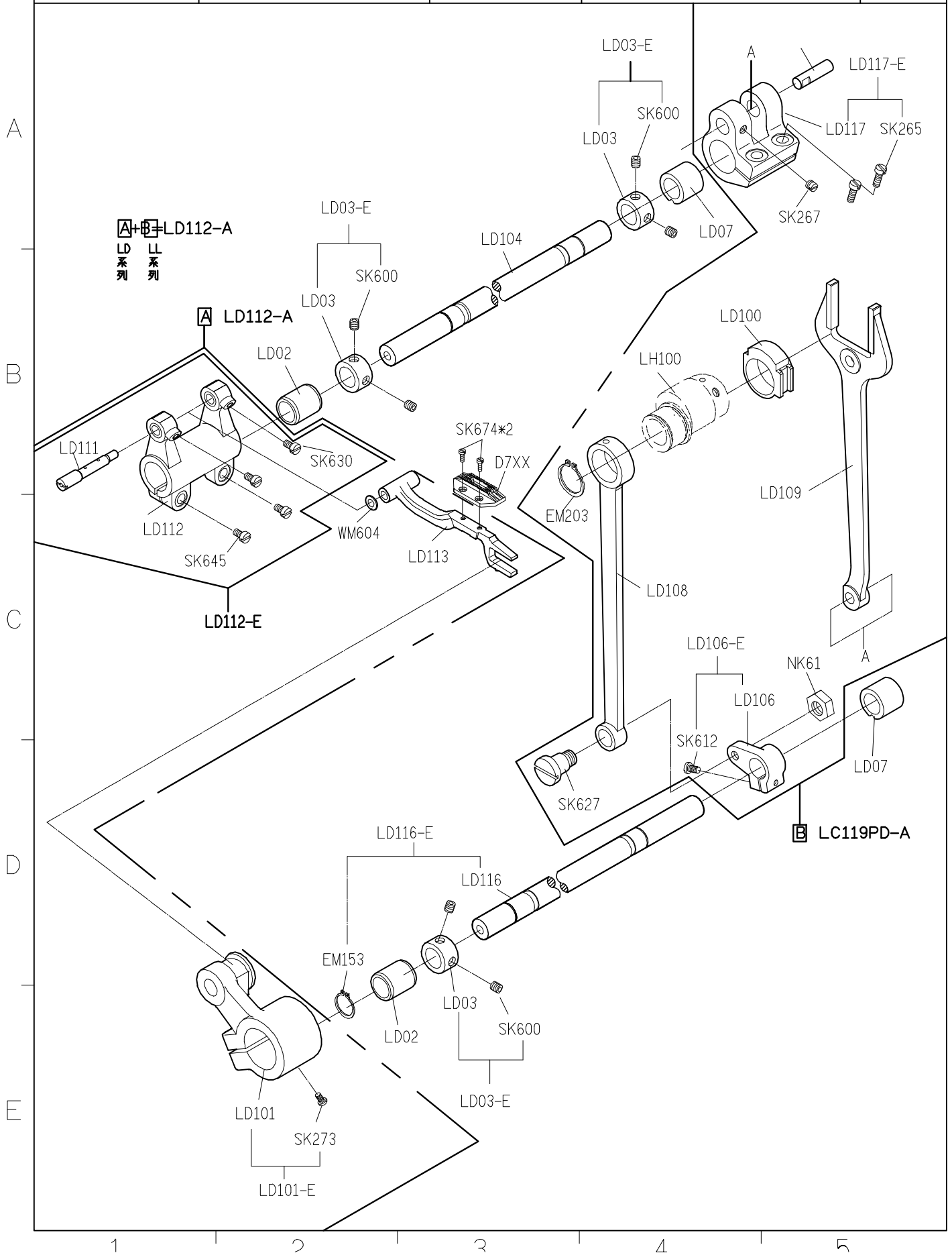
Subclass / Remark
#:Use for X2

Page
1/1
Date
2013/07/27







SIRUBA**PARTS LIST****Series****L819U-X1/X2****Parts Group****LD****Subclass / Remark****Page****1/1****Date****2012/11/01**

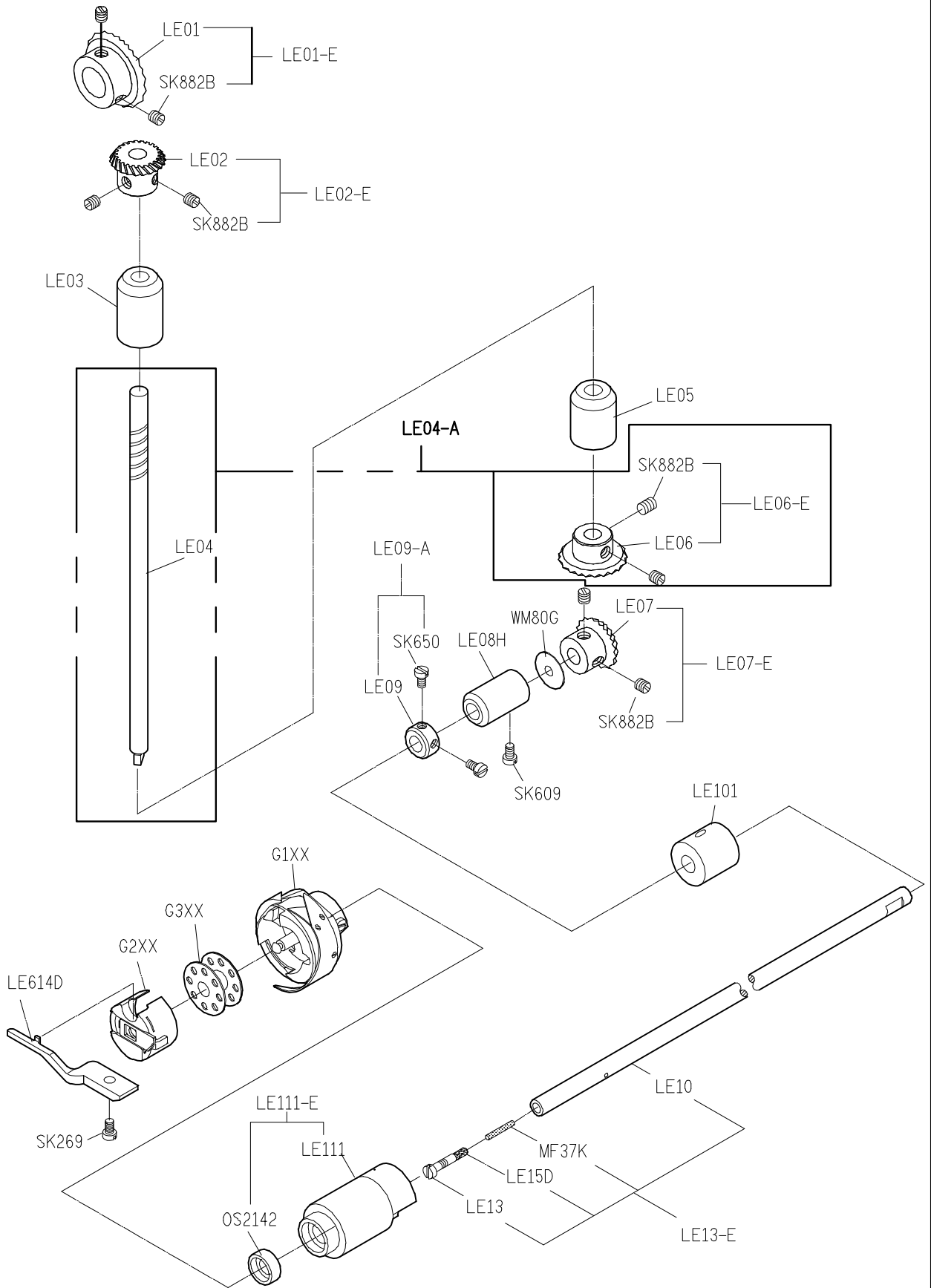
A

B

C

D

E



1

2

3

4

5

SIRUBA PARTS LIST	Series	Parts Group	Subclass / Remark	Page
	L819U-X1/X2	LG	#:Use for X2	1/1
				Date
				2012/11/01

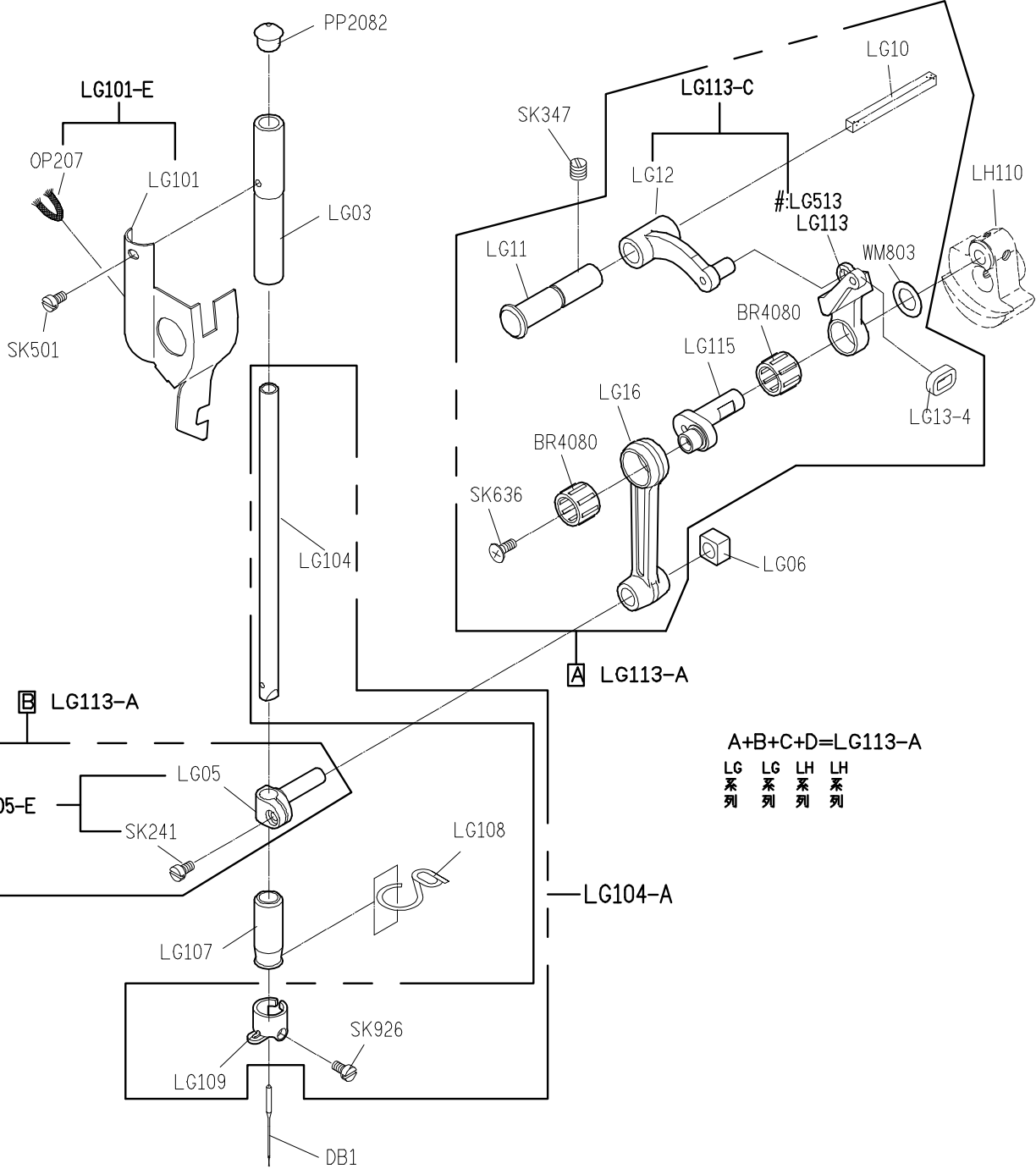
A

B

C

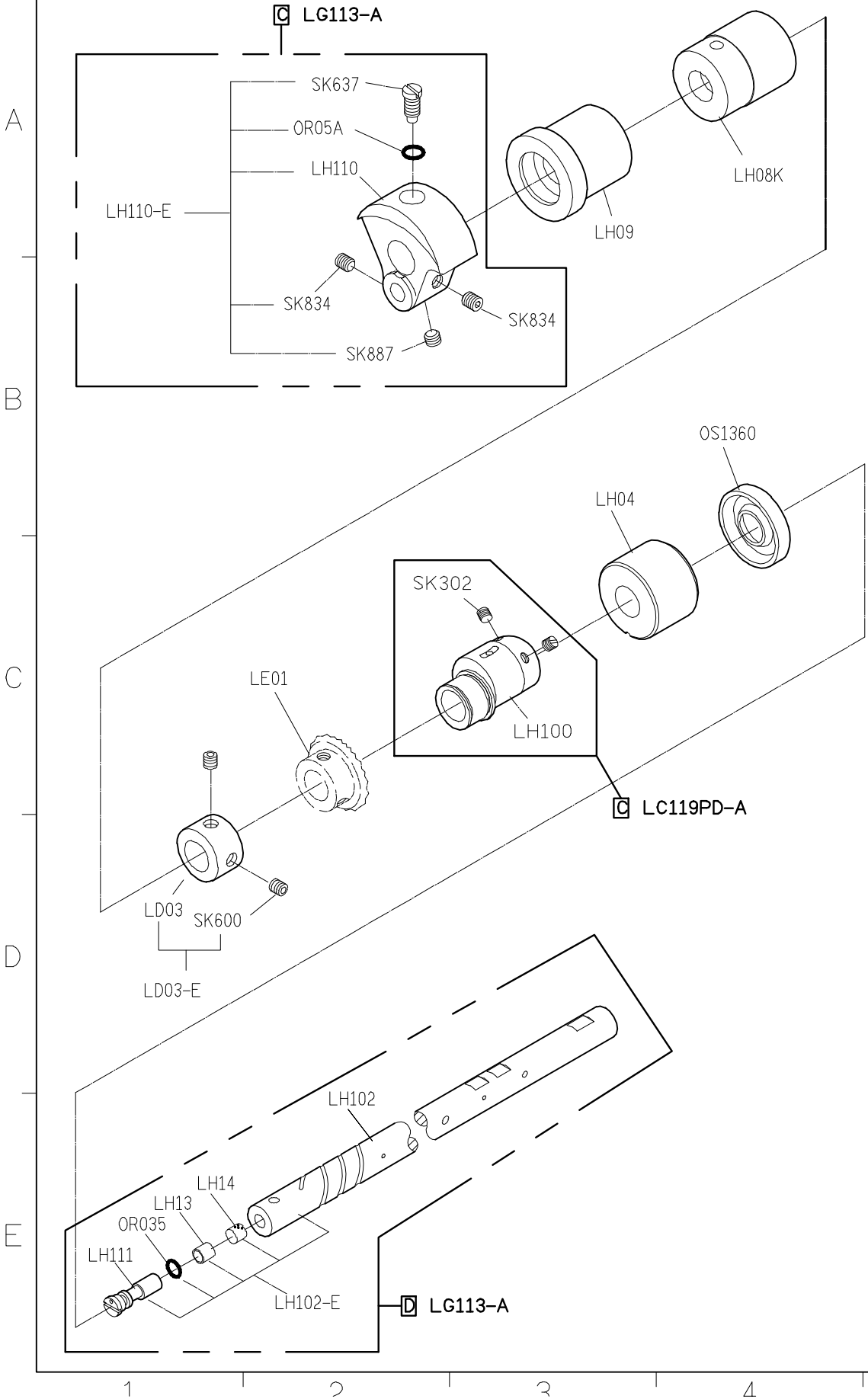
D

E



A+B+C+D=LG113-A
 LG LG LH LH
 系 系 系 系
 列 列 列 列

SIRUBA PARTS LIST	Series	Parts Group	Subclass / Remark	Page
	L819U-X1/X2	LH		1/2
				Date
				2012/11/01



SIRUBA PARTS LIST	Series	Parts Group	Subclass / Remark	Page
	L819U-X1/X2	LH		2/2
				Date
				2012/11/01

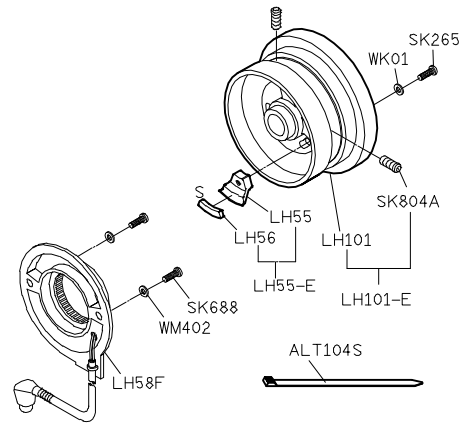
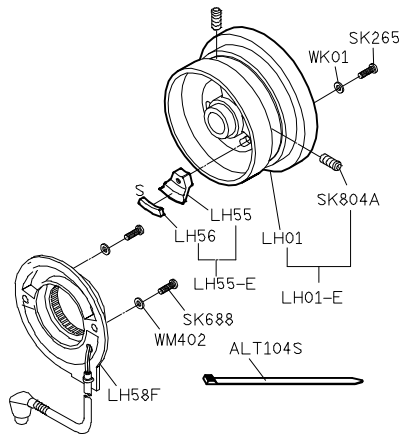
擺動式切刀

旋轉式切刀

A

H
廠牌馬達

B



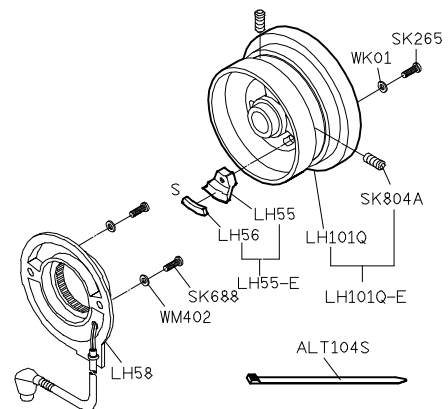
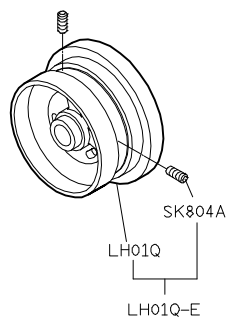
C

LH01-A1

LH101-A1

D

其他廠牌馬達(可加後拉輪)



E

LH01Q-E

LH101Q-A1

1

2

3

4

5

SIRUBA

PARTS LIST

Series

L819U-X1/X2

Parts Group

LL

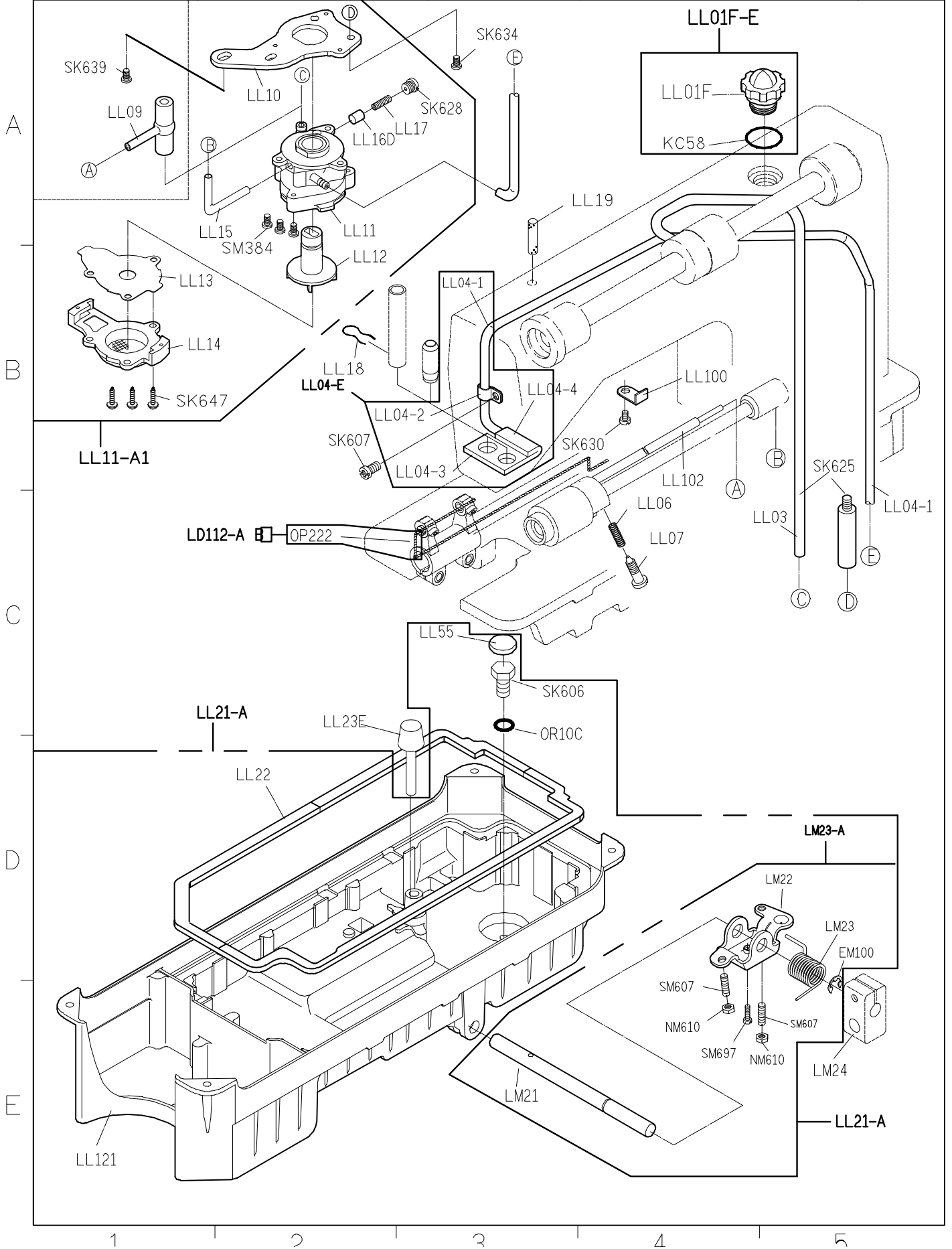
Subclass / Remark

Page

1/1

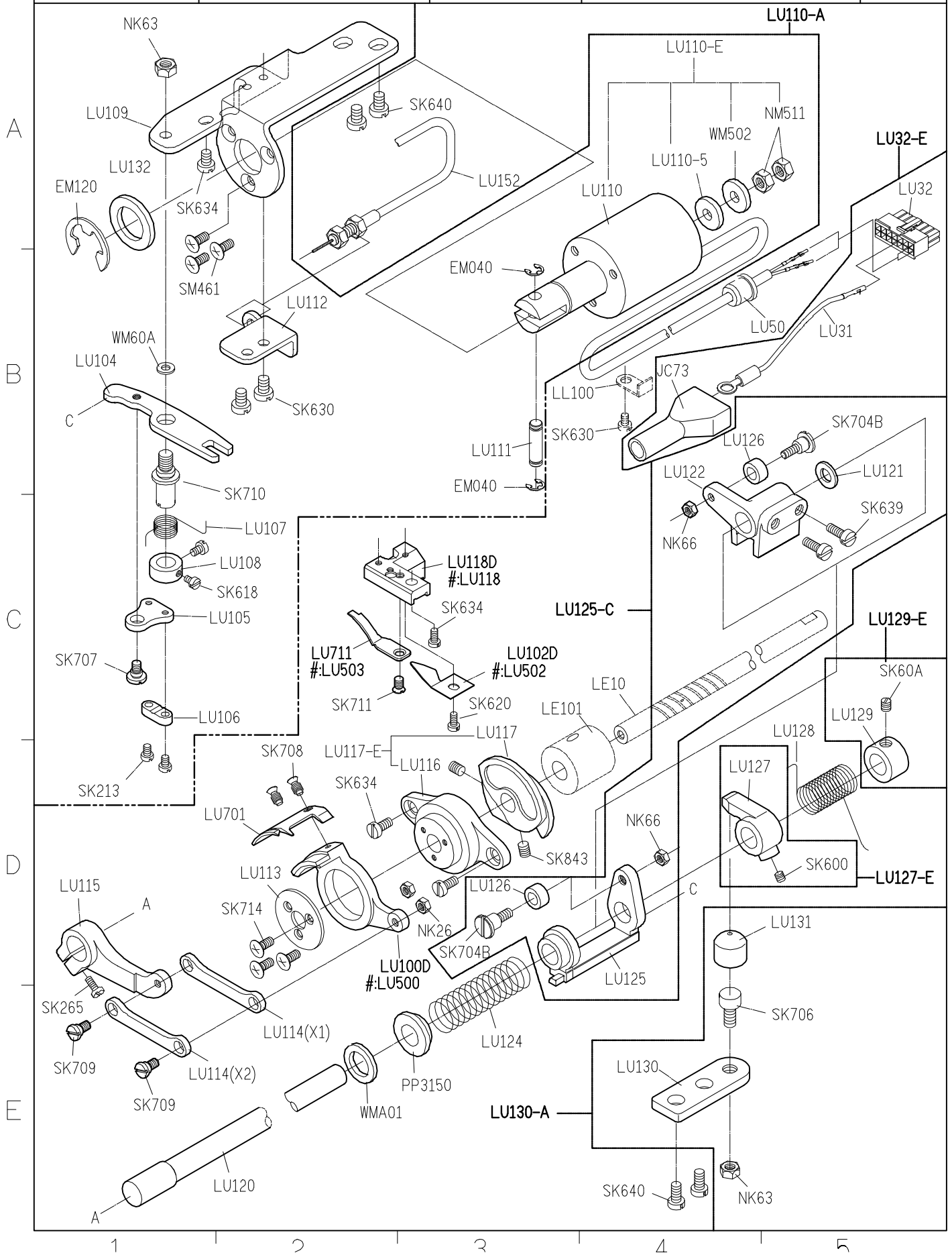
Date

2012/12/27

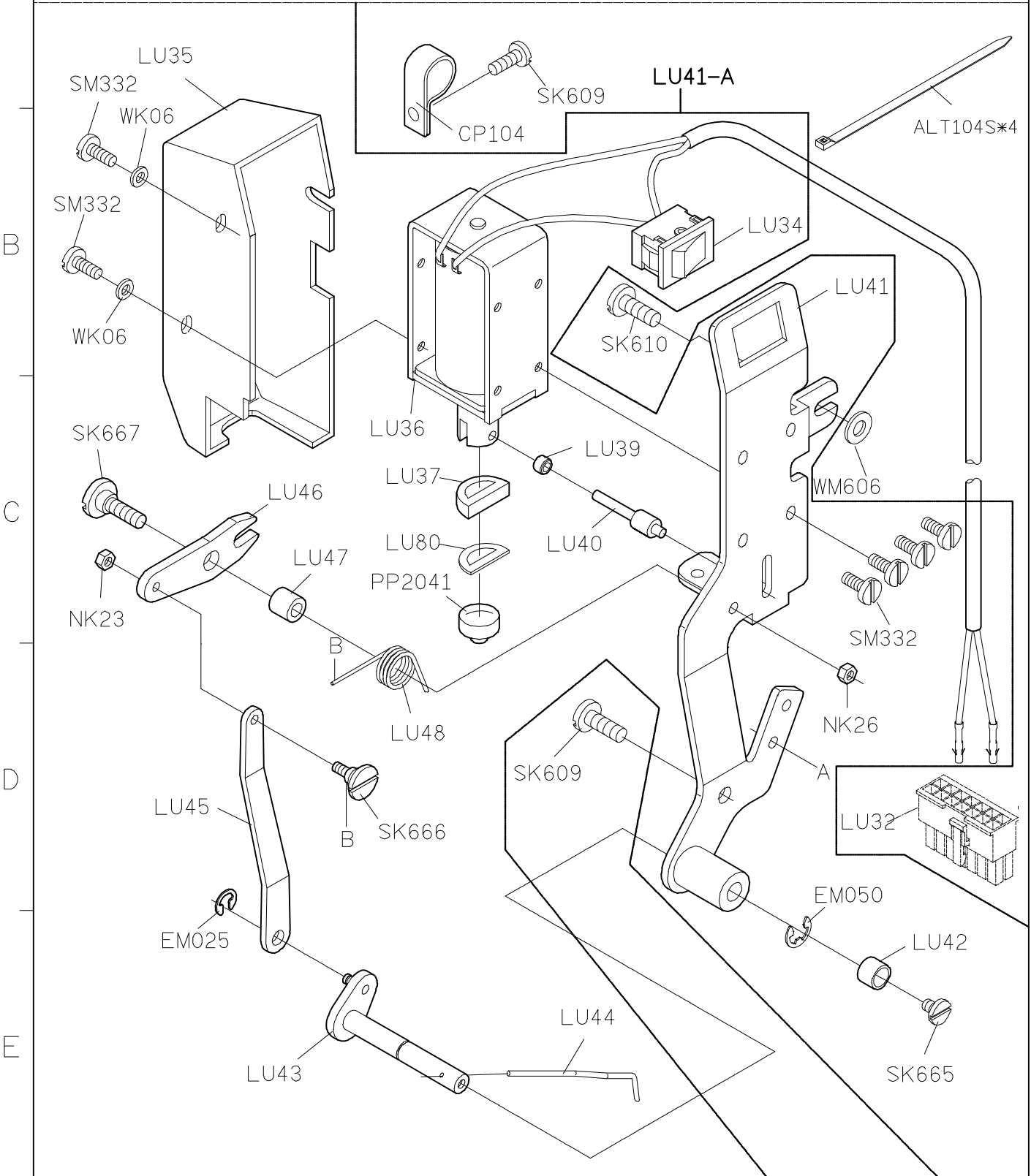
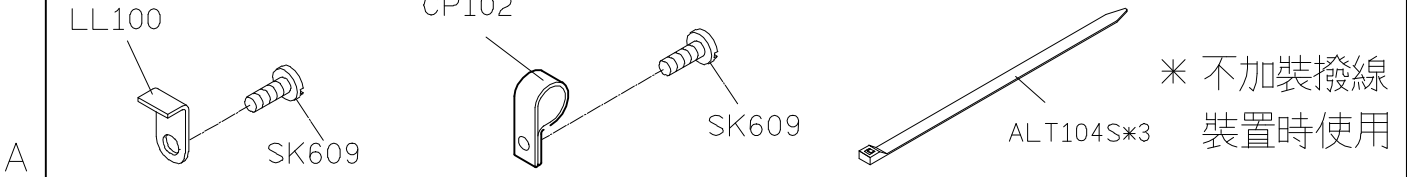


SIRUBA**PARTS LIST****Series****L819U-X1/X2****Parts Group****LU****Subclass / Remark**

#:Use for X2

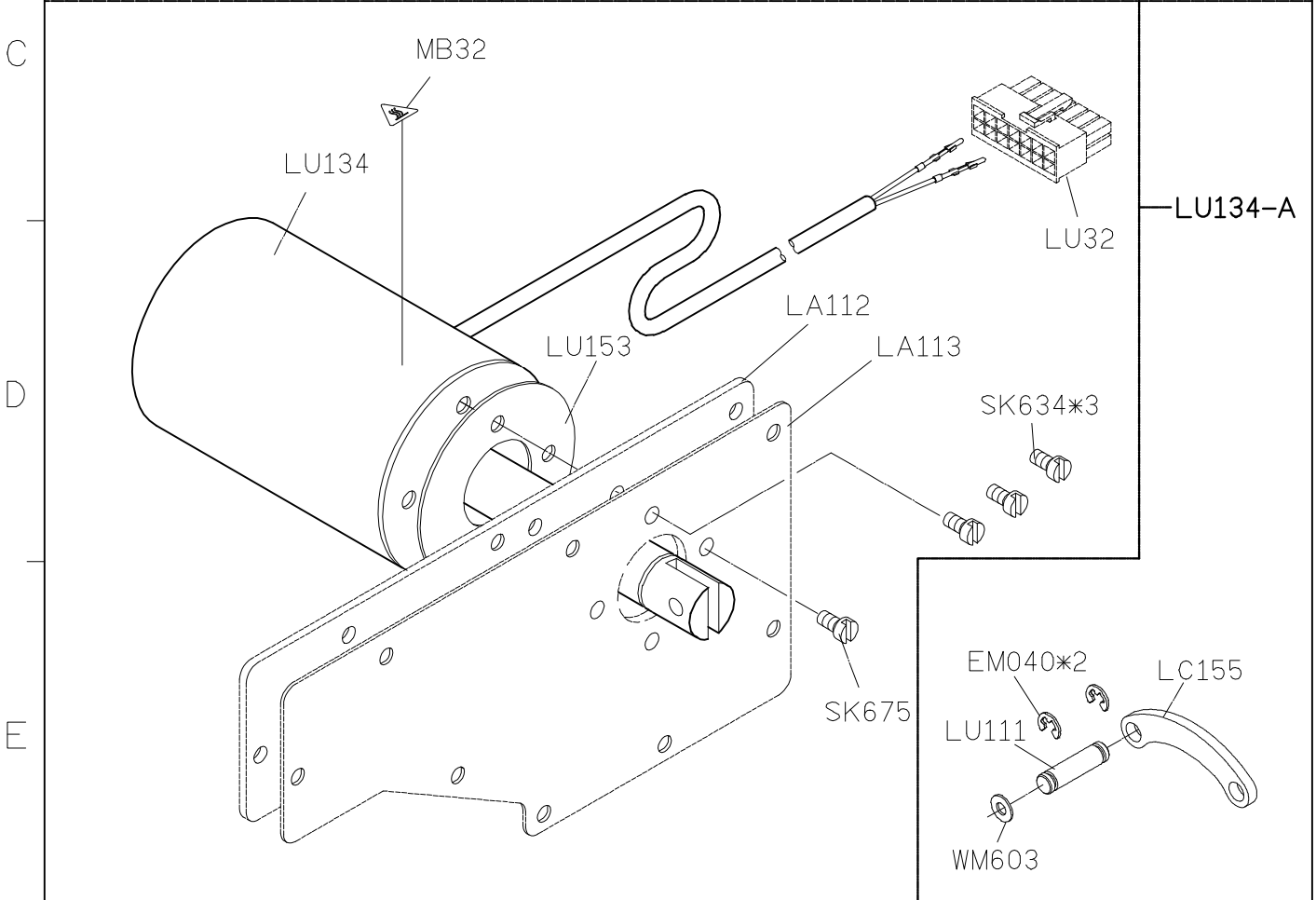
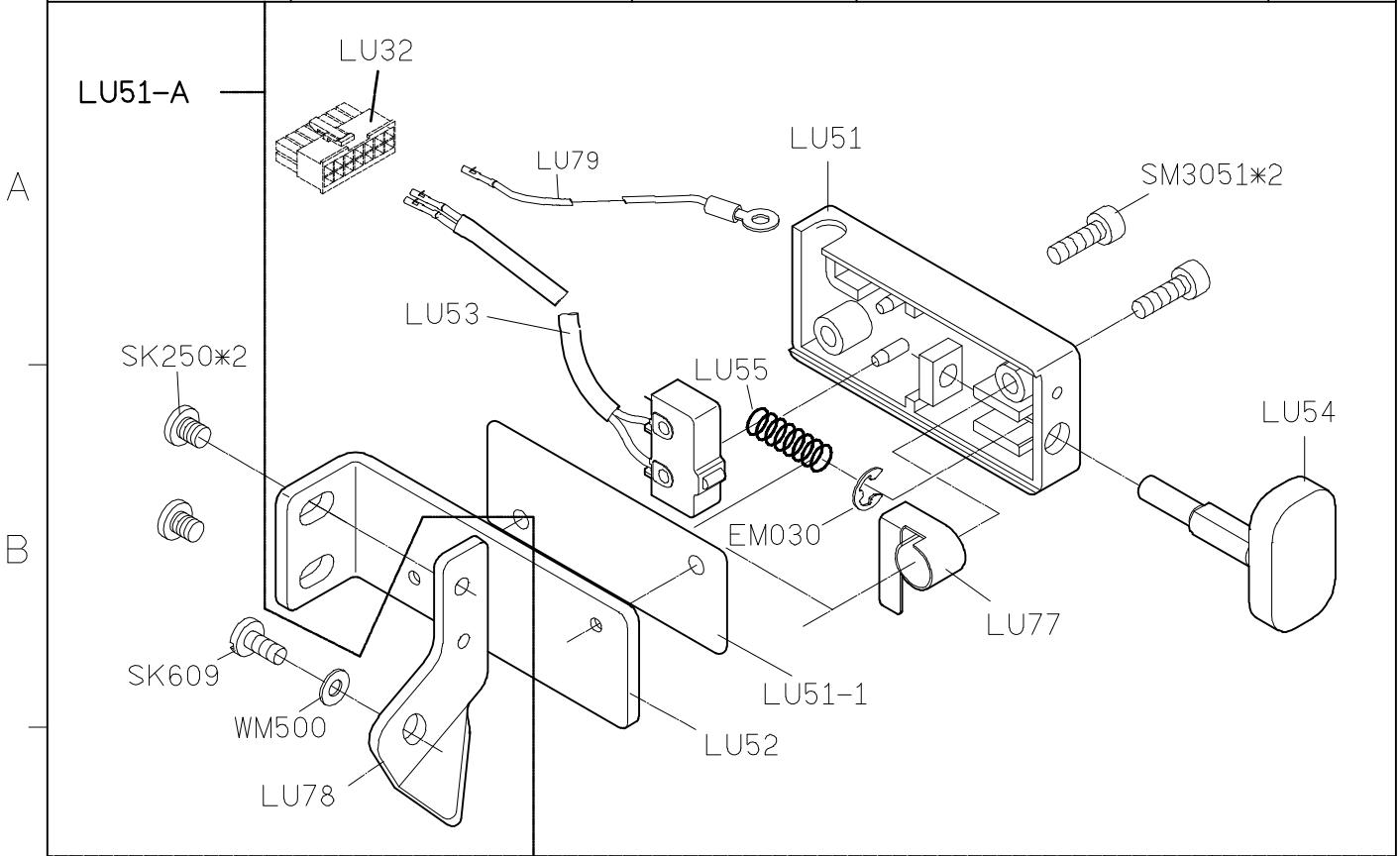
Page**1/7****Date****2012/11/01**

SIRUBA PARTS LIST	Series	Parts Group	Subclass / Remark	Page
	L819U-X1/X2	LU		2/7
				Date
				2012/11/01



1 2 3 4 5

SIRUBA PARTS LIST	Series	Parts Group	Subclass / Remark	Page
	L819U-X1/X2	LU		3/7
				Date
				2012/11/01



1 2 3 4 5

SIRUBA PARTS LIST	Series L819U-X1/X2	Parts Group LU	Subclass / Remark	Page 4/7
				Date
				2012/11/01

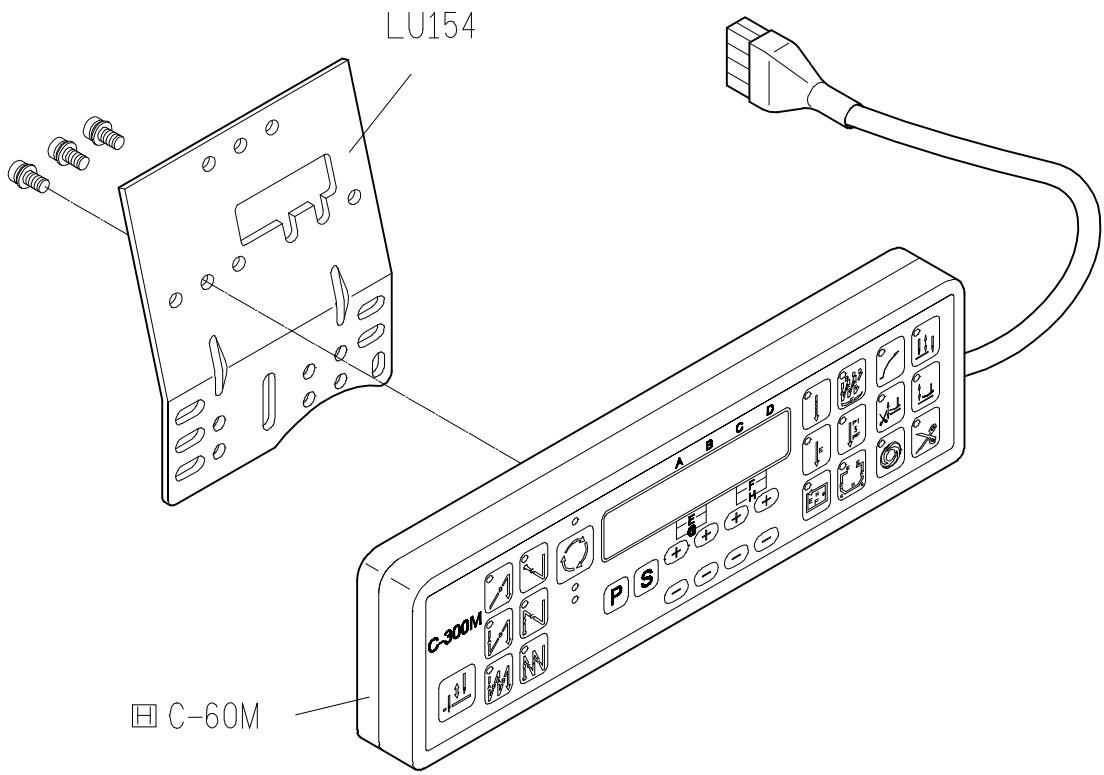
A

B

C

D

E



註：此部份置於配件箱內

SIRUBA PARTS LIST	Series	Parts Group	Subclass / Remark	Page
	L819U-X1/X2	LU		5/7
				Date
				2012/11/01

LU140-A

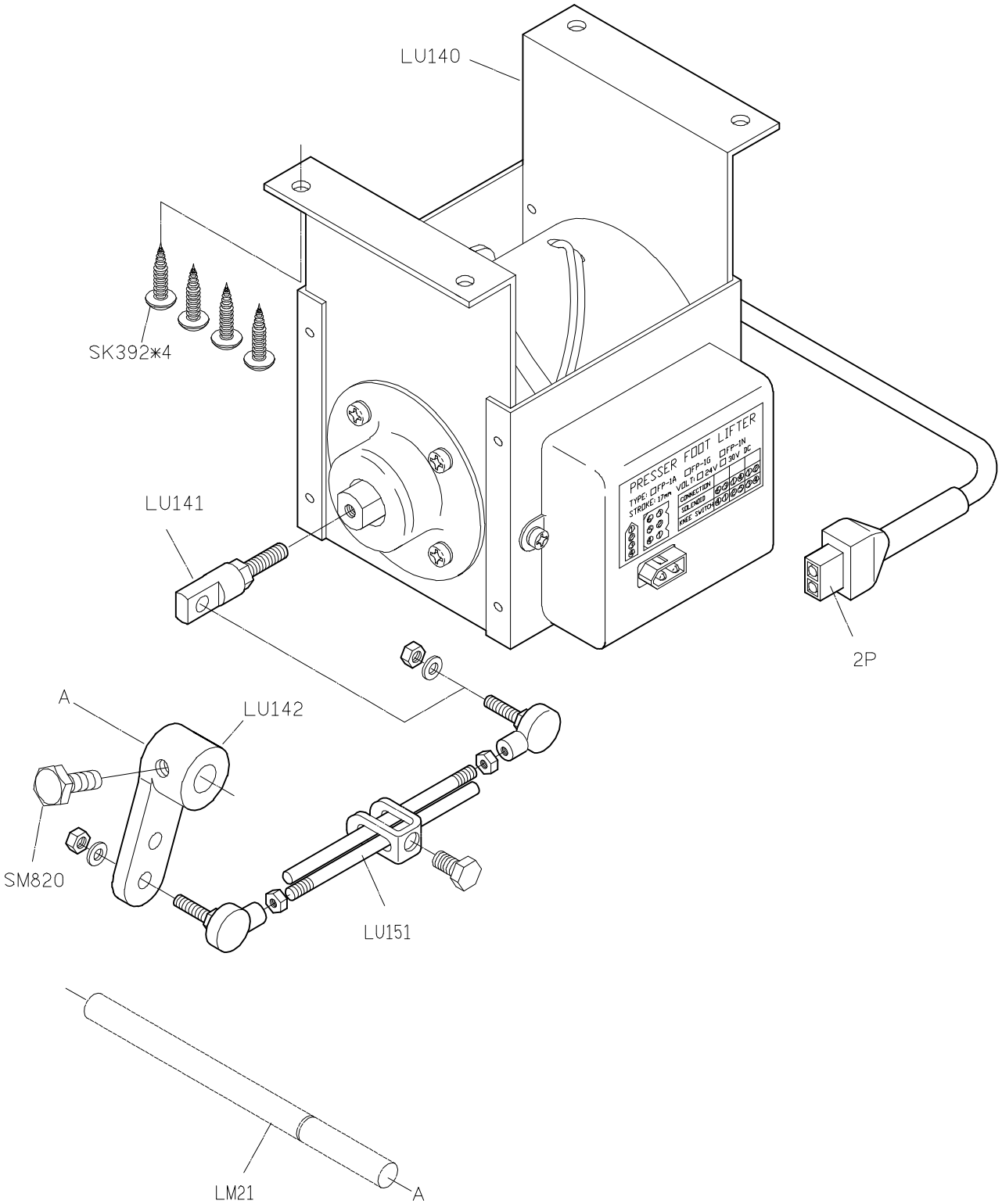
A

B

C

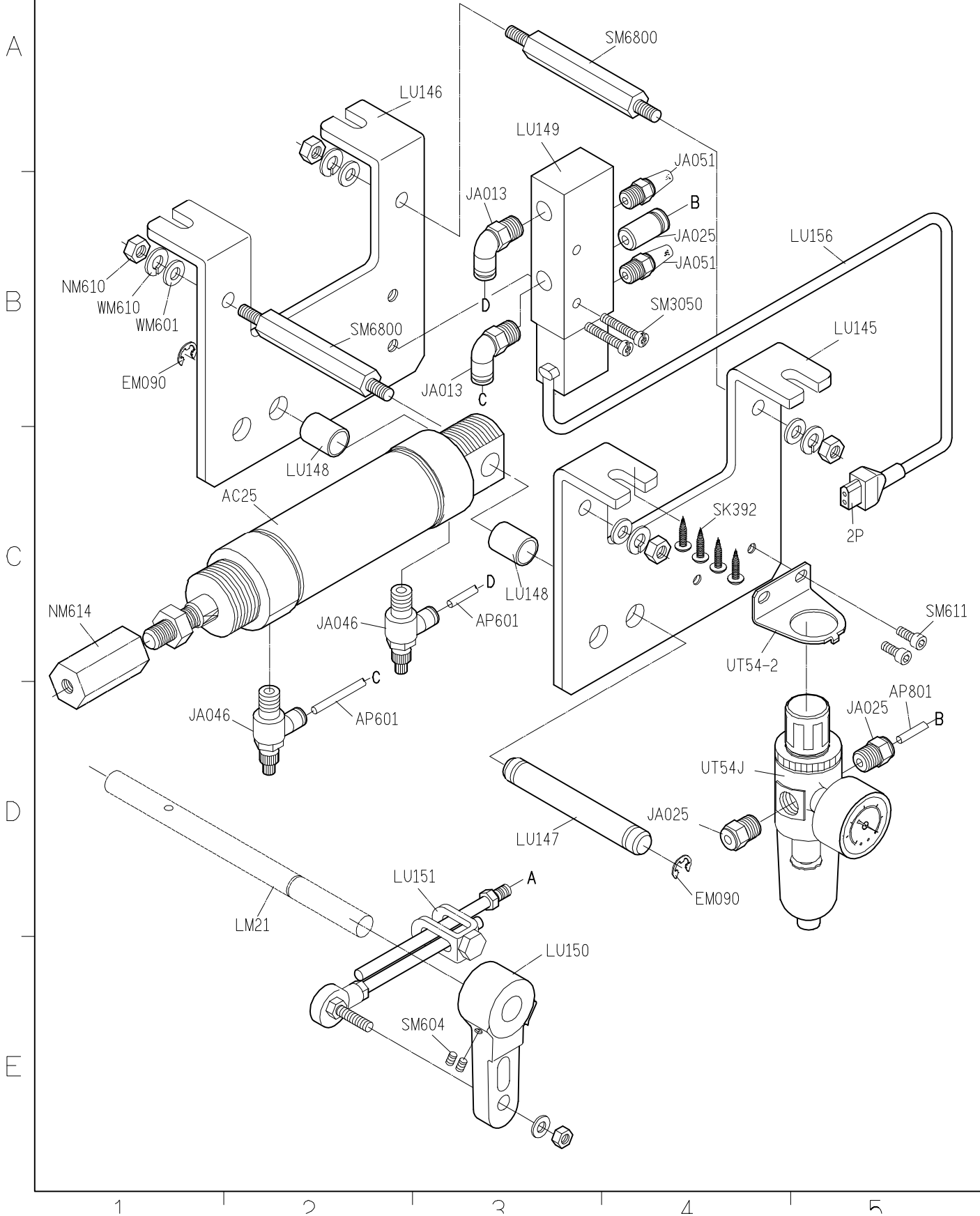
D

E

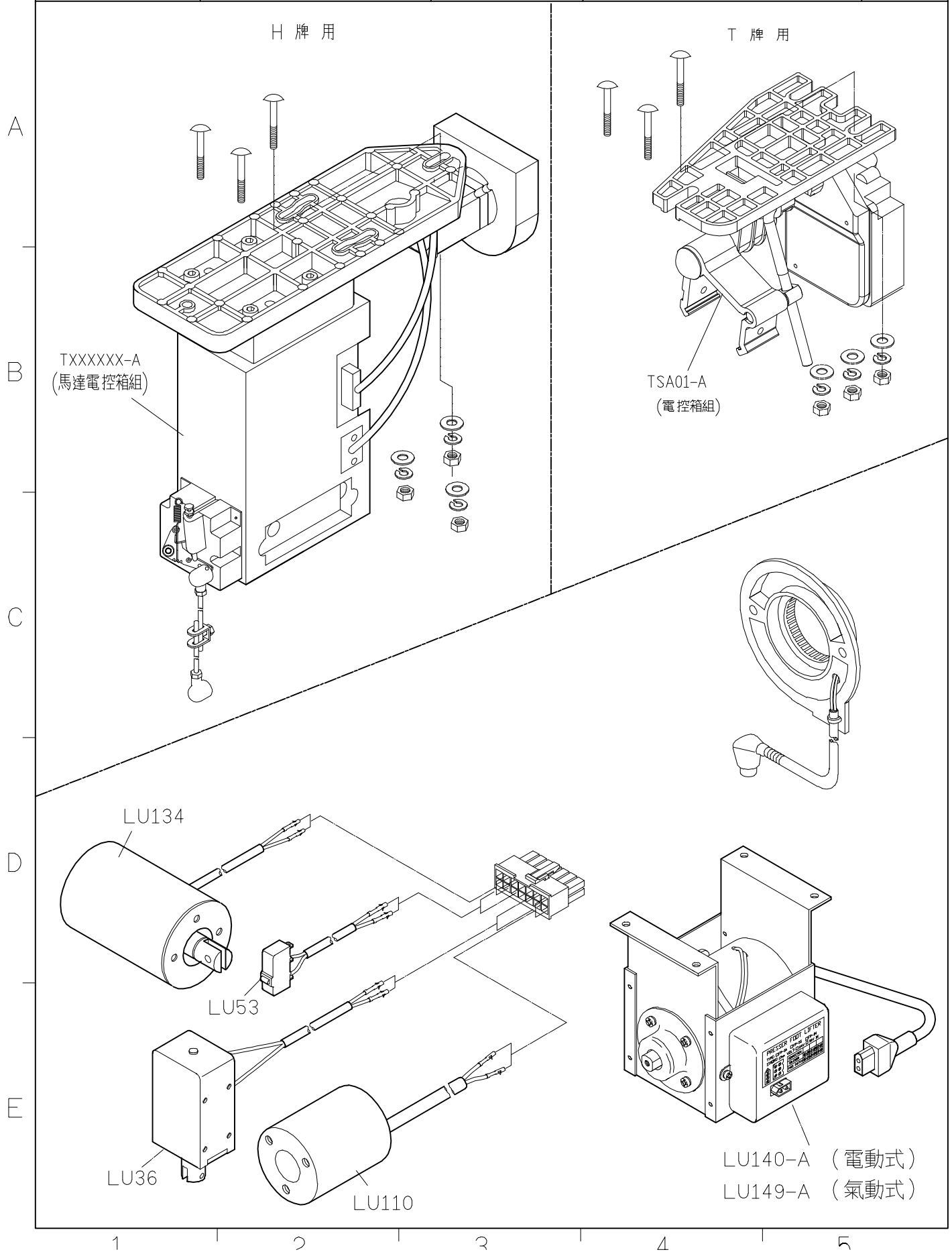


SIRUBA PARTS LIST	Series	Parts Group	Subclass / Remark	Page
	L819U-X1/X2	LU		6/7
				Date
				2012/11/01

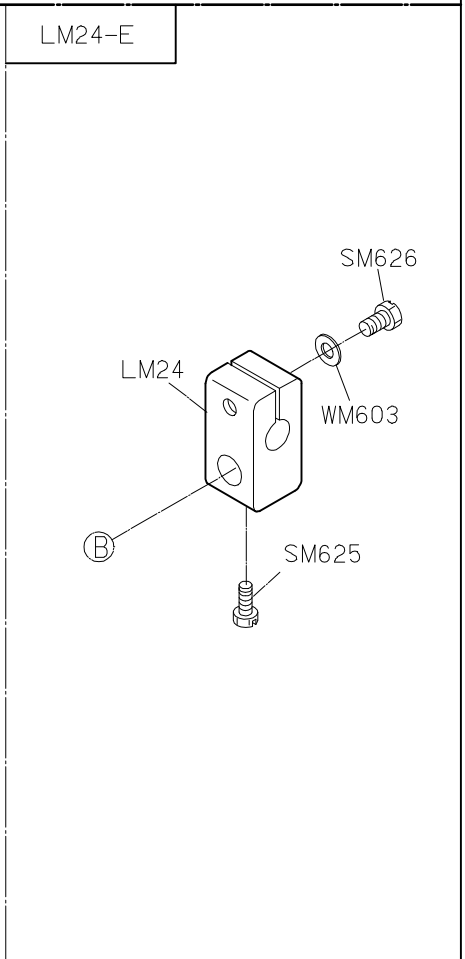
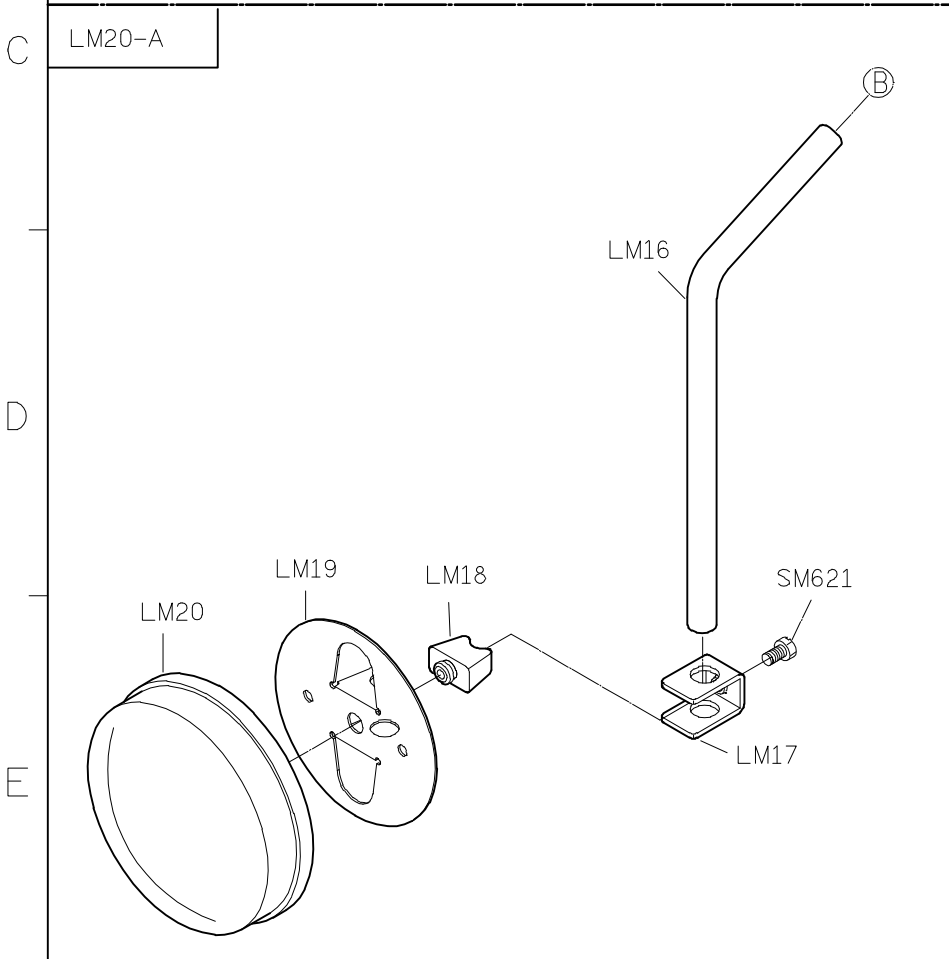
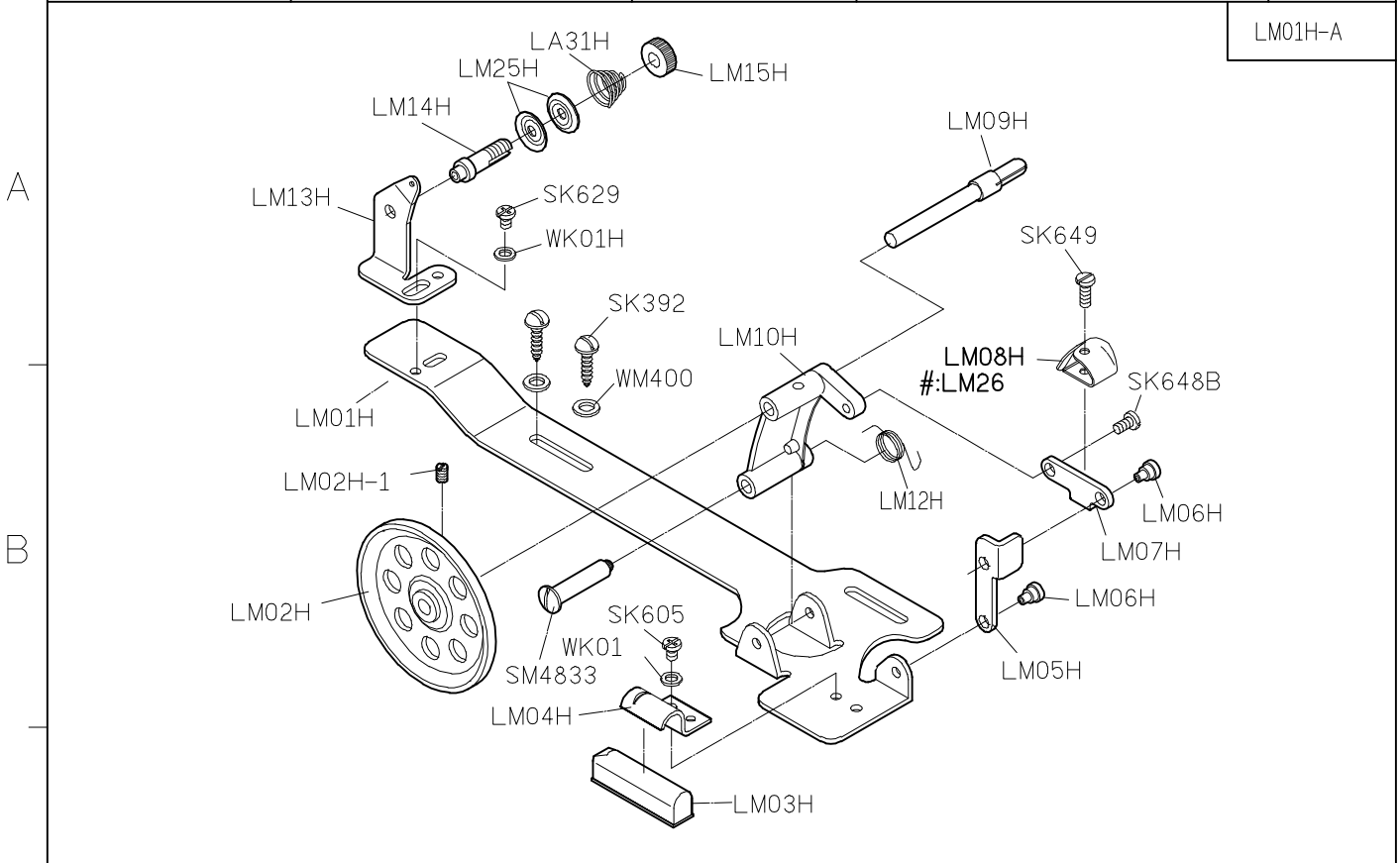
LU149-A



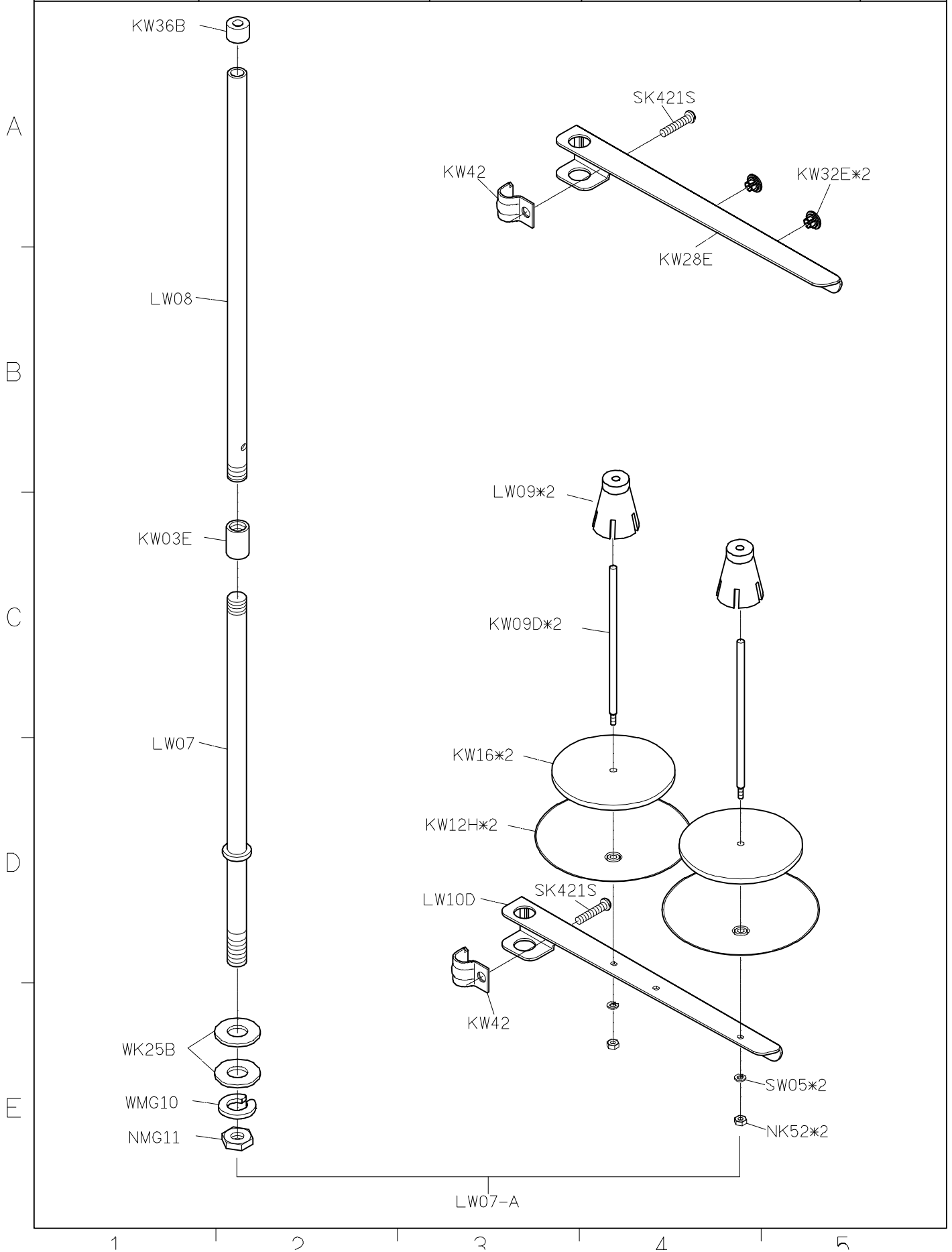
SIRUBA PARTS LIST	Series	Parts Group	Subclass / Remark	Page
	L819U-X1/X2	LU		7/7
				Date
				2012/11/01



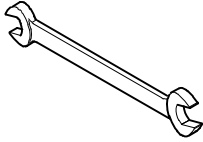

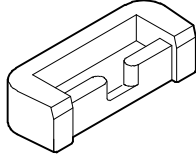
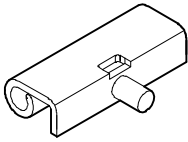
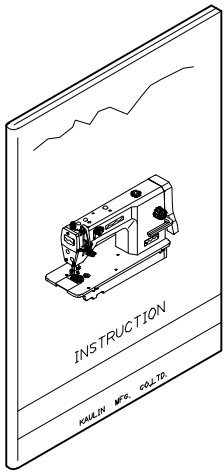
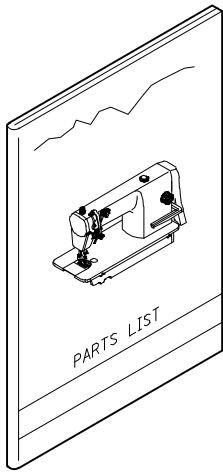
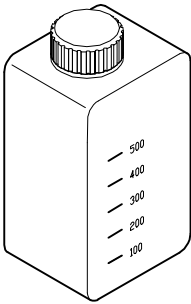


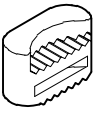

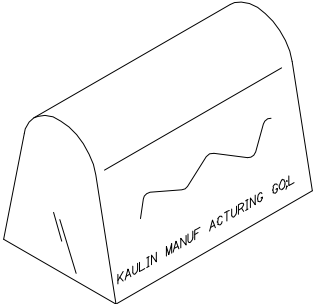
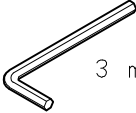
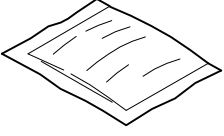
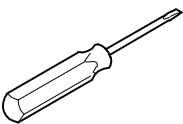
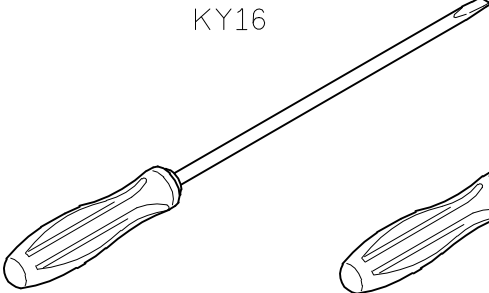
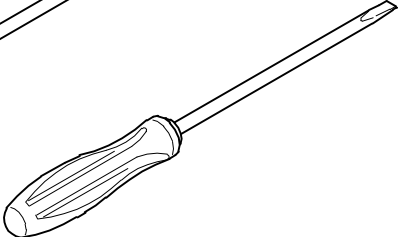
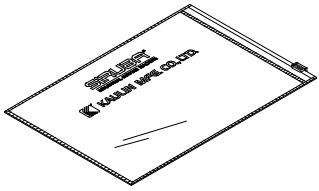
SIRUBA PARTS LIST	Series	Parts Group	Subclass / Remark	Page
	L819U-X1/X2	LM	#:Use for X2	1/1
				Date
				2012/11/01



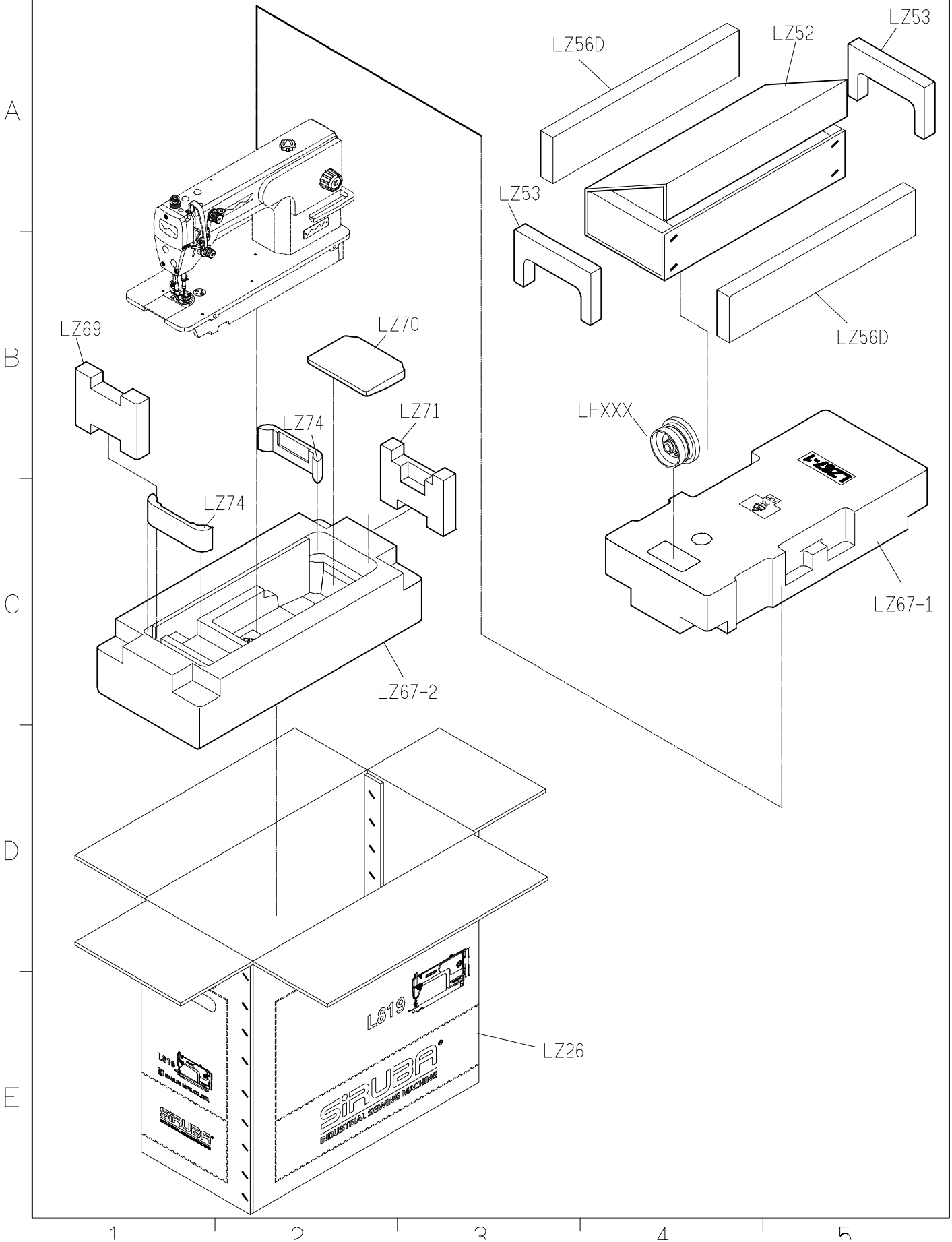
SIRUBA PARTS LIST	Series	Parts Group	Subclass / Remark	Page
	L819/L819U	LW		1/1
				Date
				2013/04/10



SIRUBA PARTS LIST	Series	Parts Group	Subclass / Remark	Page
	L819U-X1/X2	LY		1/1
				Date
				2012/11/01

A	LY01 	LY02 	YM04*2 	LY05*2 
B	LY10 	LY15 	LY37-A 	YM102*2 
C			G3XX*2 	YM103*2 
D	針*2 	MY01 	MY11  3 mm	KZ03*1 
E	MY13 	KY16 	KY17 	KY26F 
	1	2	3	4
				5

SIRUBA PARTS LIST	Series	Parts Group	Subclass / Remark	Page
	L819U-X1/X2	LZ		1/1
				Date
				2013/01/01



SIRUBA TABLE CUT - OUT	Series	Item Code	Subclass / Remark	Mounting
	L818D/L917 L918/L918U L819/L819U	L918-T1		Fully-submerged
				Date
				2013/01/01

