
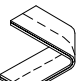
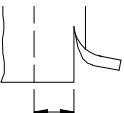
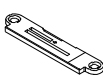
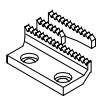
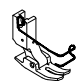



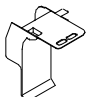


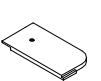


<b>SIRUBA</b> GAGE PARTS LIST	<b>Series</b>	<b>Remark</b>	<b>Page</b>	<b>Date</b>
	<b>L918</b>	<b>RM1</b>	<b>1 / 1</b>	<b>2012/11/01</b>

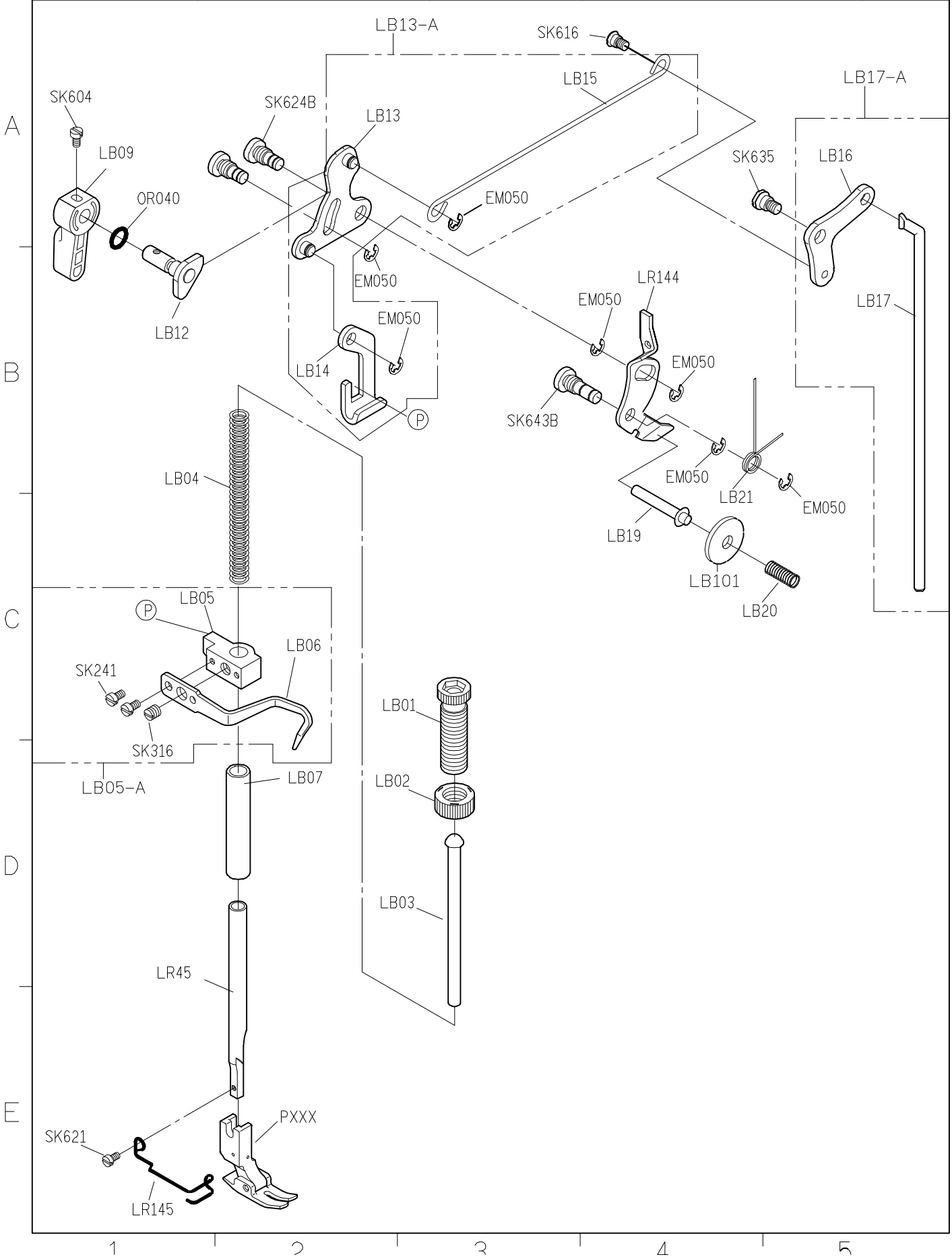
L918-RM1規格件表 / CONVERSION CHART

												
MODEL	SUB-CLASS	GAUGE WIDTH	NEEDLE PLATE	FEED DOG	PRESSER FOOT	HOOK ASM	BOBBIN CASE ASM	BOBBIN	THROAT PLATE CHIP GUARD	NEEDLE	THREAD GUIDE	THROAT PLATE COVER
機 型	規 格	切 邊 距 離	針 板	送 具	押 具	梭 頭	梭 殼	梭 子	下 導 布 架	針 號	導 線 片	布 板 蓋
L918-RM1-32	32	1/8" (3.2mm)	E705Q	D705	P705	G111	G201	G301	LR104DS	DBX1#14	LR141S	(LR106-E)
L918-RM1-40	40	5/32" (4.0mm)	E705R (E705Q)	D705	P705	G111	G201	G301	LR104DS	DBX1#14	LR141S	(LR106-E)
L918-RM1-48	48	3/16" (4.8mm)	E705 (E705Q)	D705	P705	G111	G201	G301	LR104DS	DBX1#14	LR141S	(LR106-E)
L918-RM1-64	64	1/4" (6.4mm)	E705S (E705Q)	D702 (D705)	P701 (P705)	G111	G201	G301	LR104D (LR104DS)	DBX1#14	LR141S	(LR106-E) (LR106S)
L918-RM1-95	95	3/8" (9.5mm)	E705T (E705Q)	D702 (D705)	P701 (P705)	G111	G201	G301	LR104D (LR104DS)	DBX1#14	LR141S	(LR106-E) (LR106T)

( ) 之規格件放於夾鏈袋裝于成車箱內, BOM表編與40站.



<b>SIRUBA</b>  <b>PARTS LIST</b>	<b>Series</b>	<b>Parts Group</b>	<b>Subclass / Remark</b>	<b>Page</b>
	<b>L918-RM1</b>	<b>LB</b>		1/1
				<b>Date</b>
				2012/11/01



**SIRUBA**

**PARTS LIST**

**Series**

**L918-RM1**

**Parts Group**

**LC**

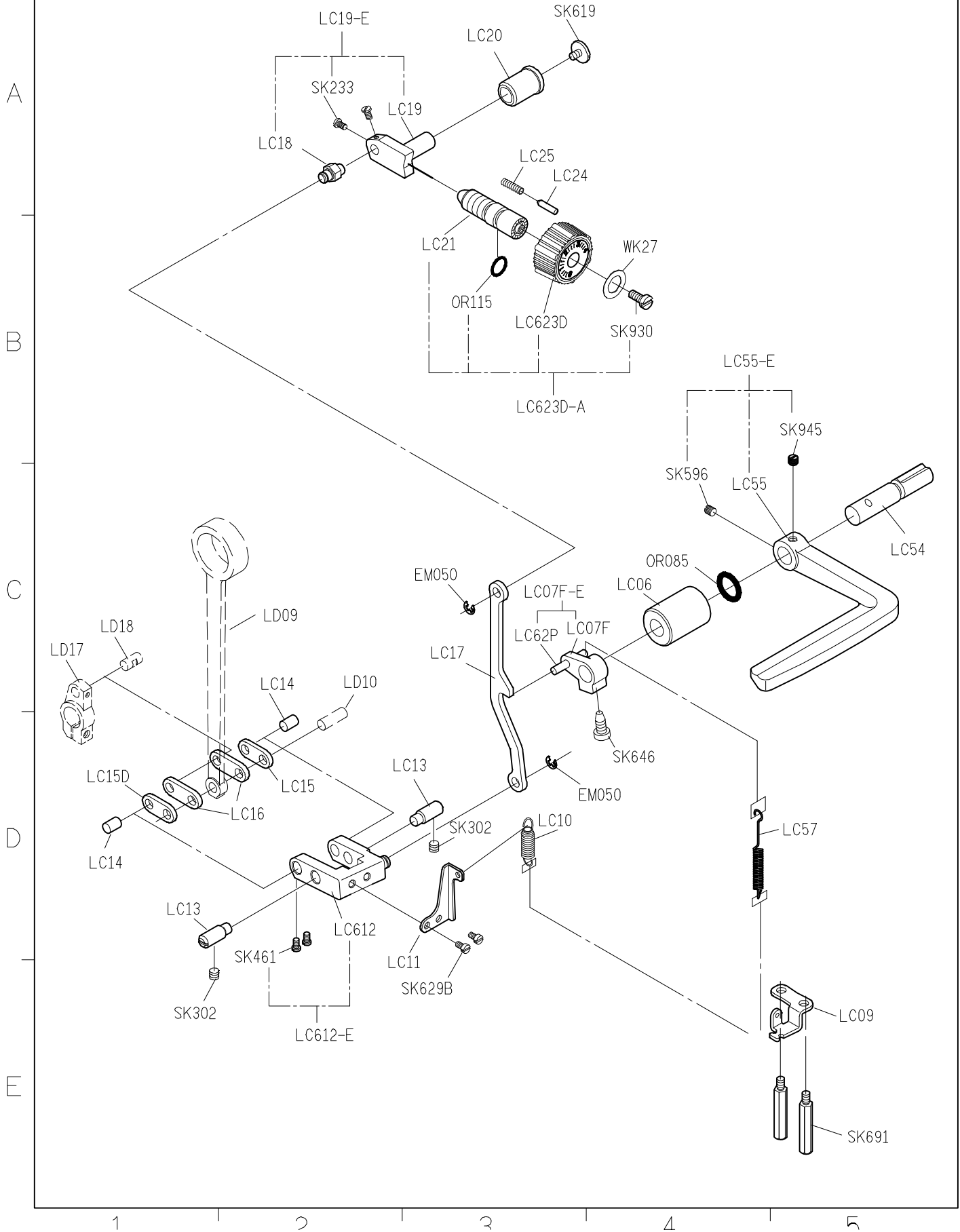
**Subclass / Remark**

**Page**

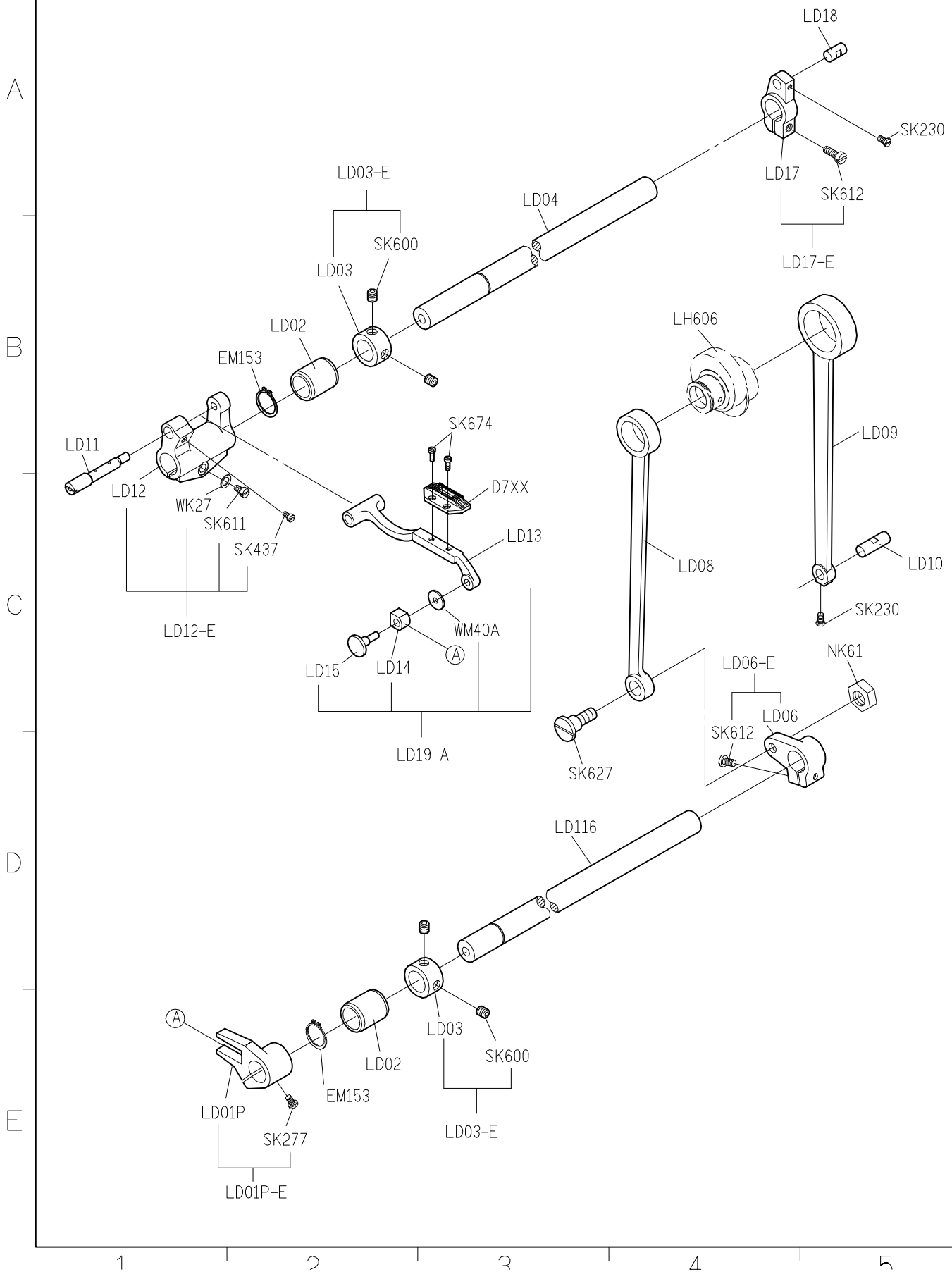
1/1

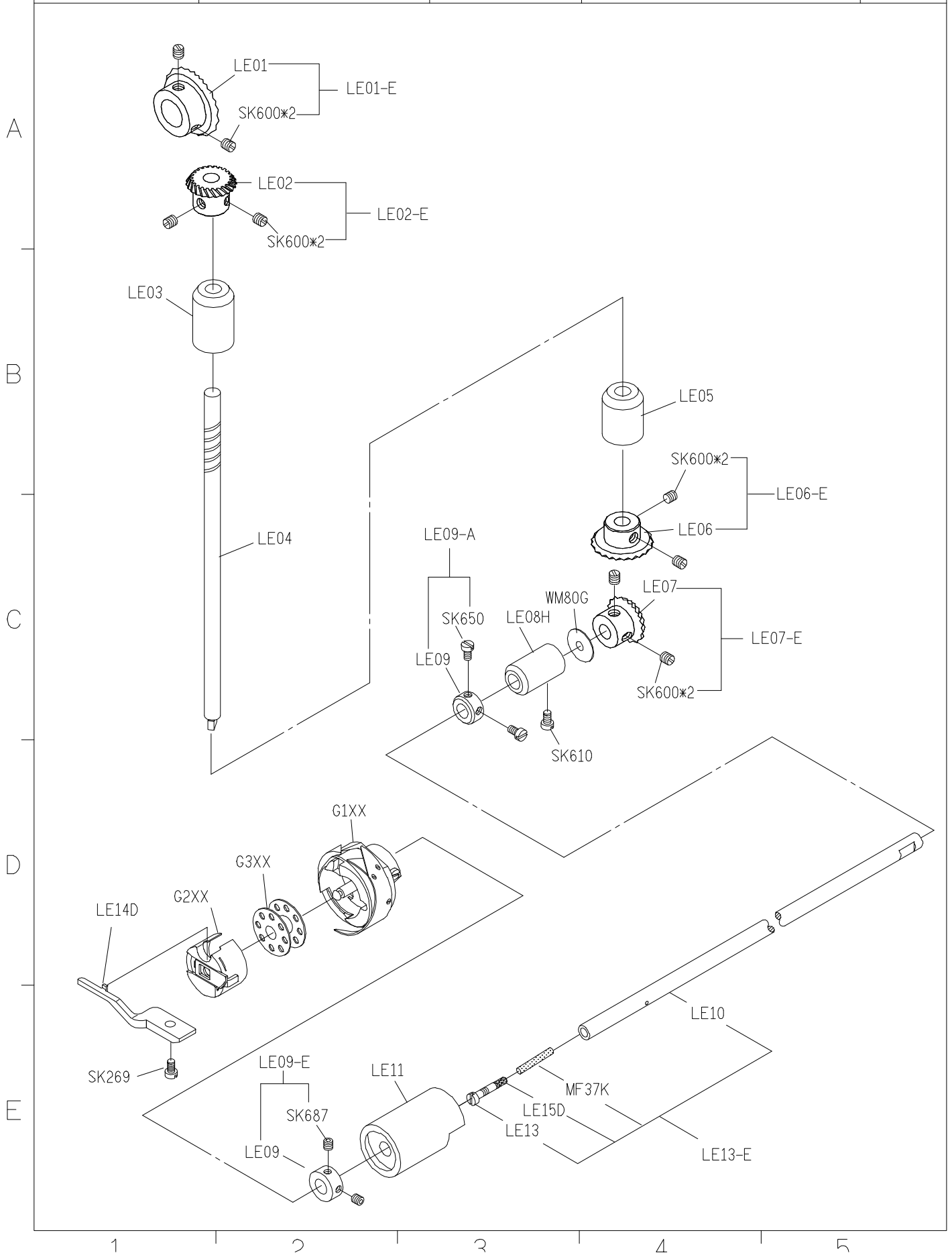
**Date**

2015/2/5



SIRUBA PARTS LIST	Series	Parts Group	Subclass / Remark	Page
	L918-RM1	LD		1/1
				Date
				2012/11/01





<b>SIRUBA</b>  <b>PARTS LIST</b>	<b>Series</b>	<b>Parts Group</b>	<b>Subclass / Remark</b>	<b>Page</b>
	<b>L918-RM1</b>	<b>LG</b>		1/1
				Date
				2012/11/01

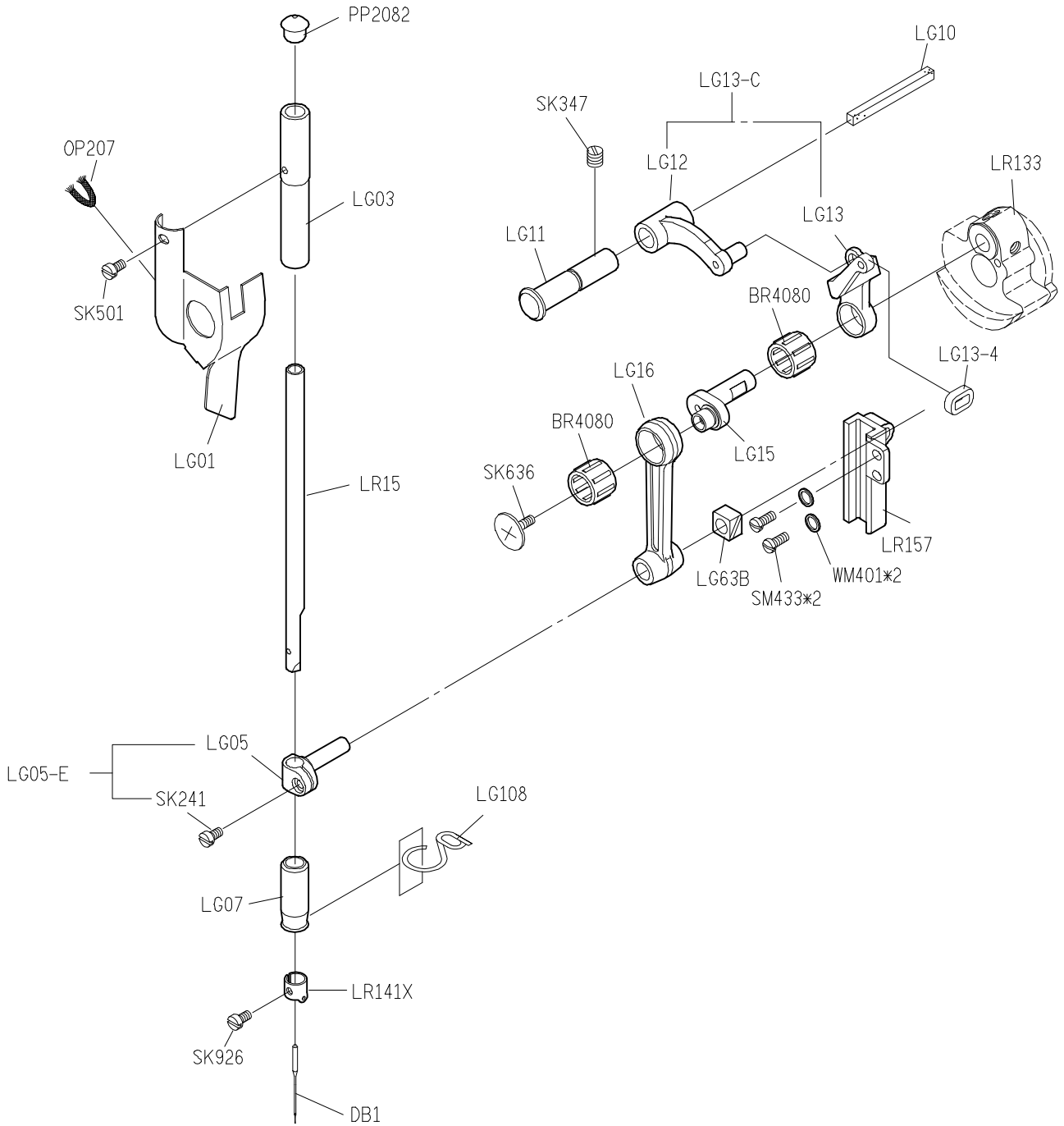
A

B

C

D

E



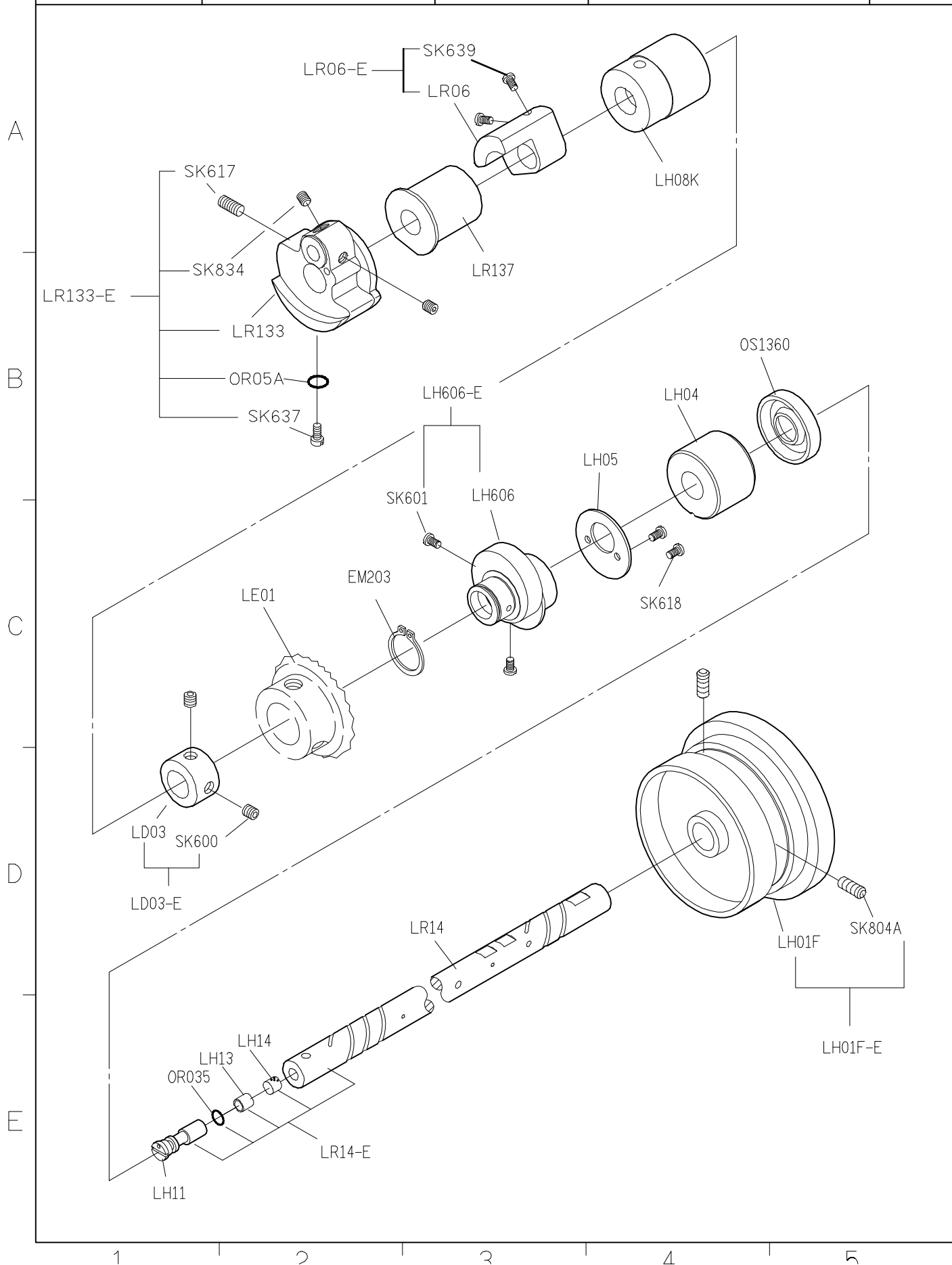
1

2

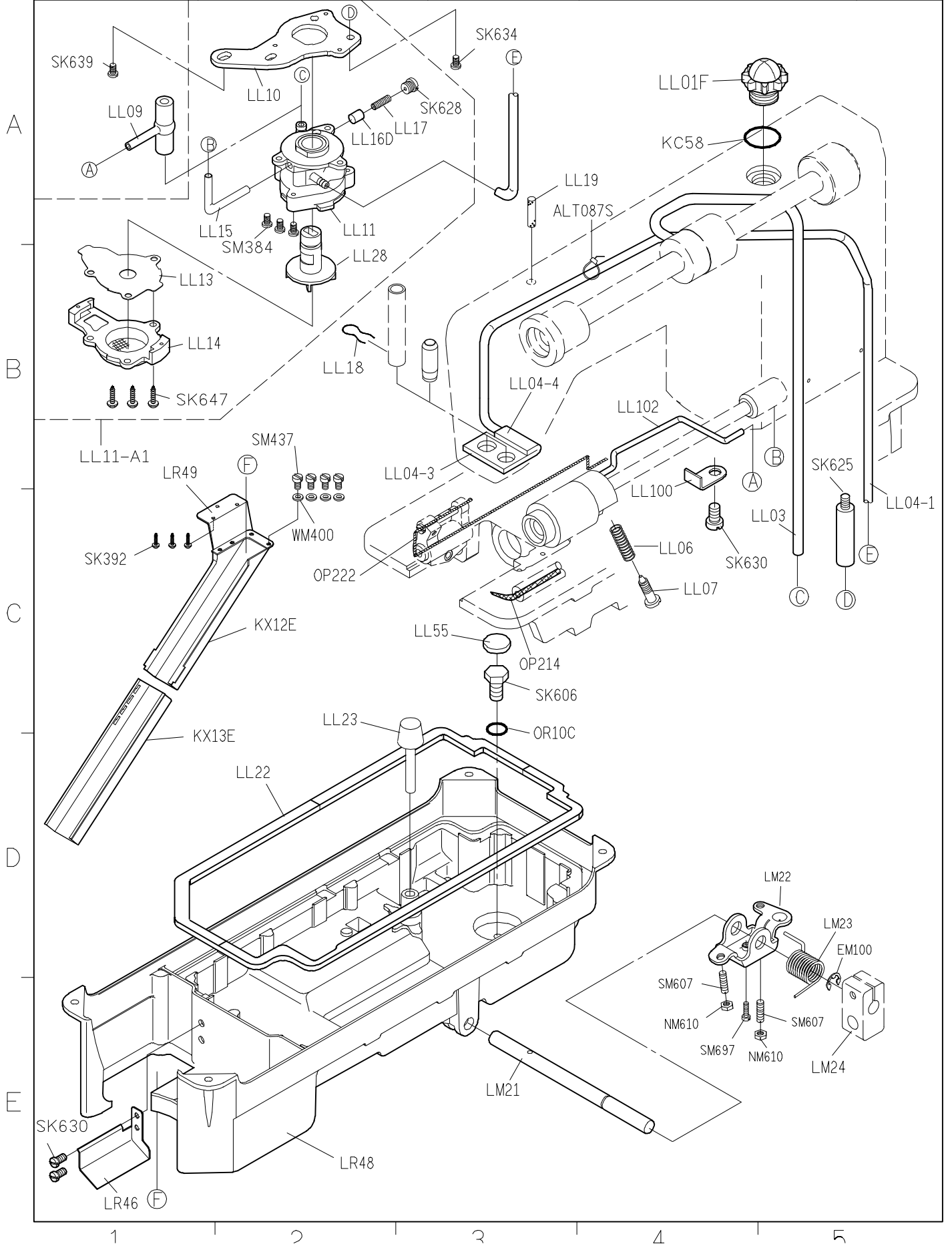
3

4

5







SIRUBA PARTS LIST	Series	Parts Group	Subclass / Remark	Page
	L918-RM1	LM		1/1
				Date
				2012/11/01

LM01H-A

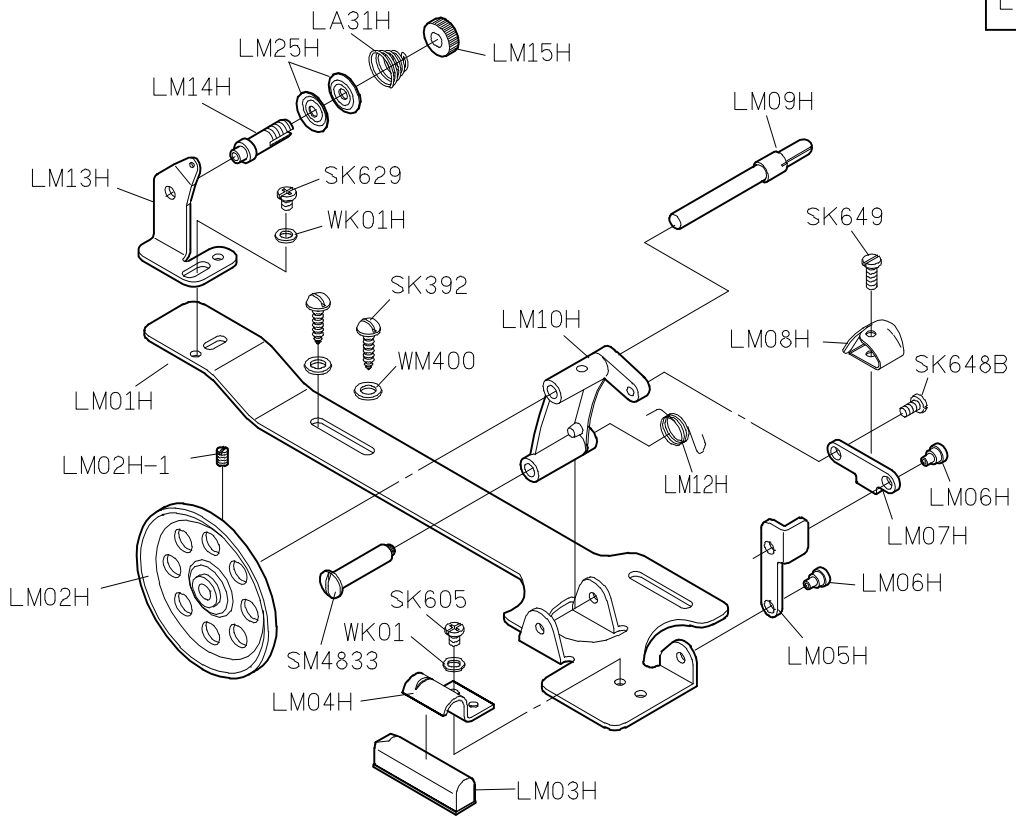
A

B

C

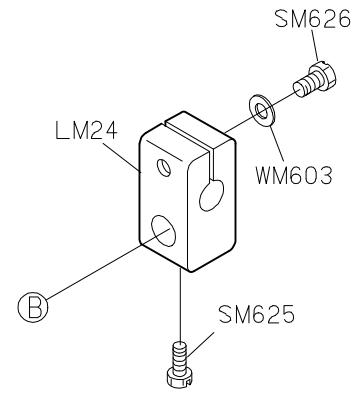
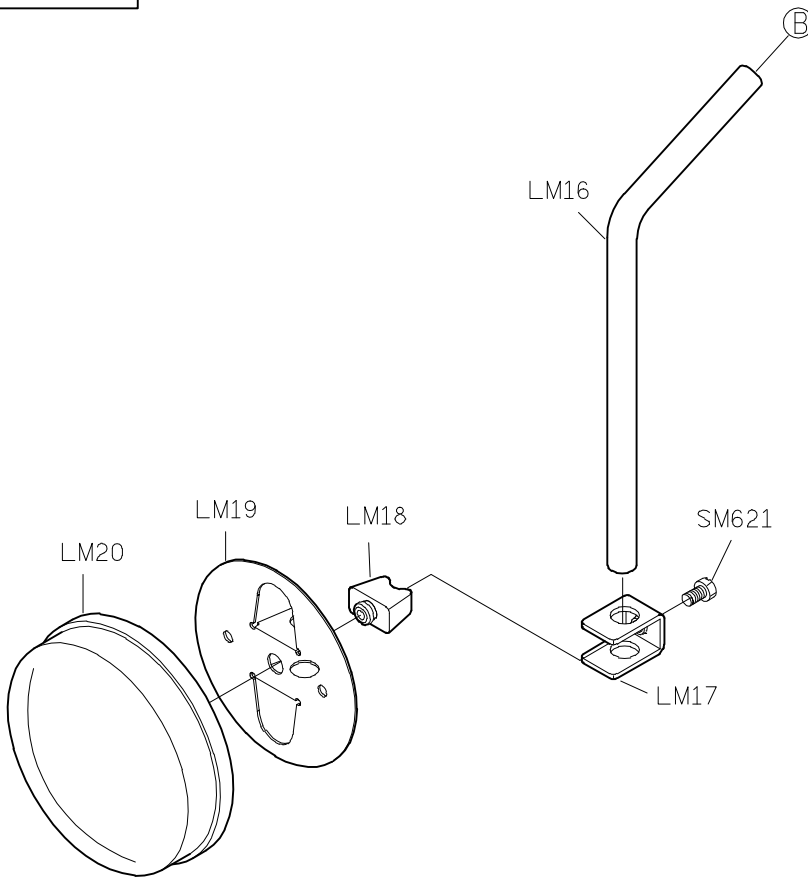
D

E



LM20-A

LM24-E



1

2

3

4

5

**SIRUBA**

**PARTS LIST**

**Series**

**L918-RM1**

**Parts Group**

**LW**

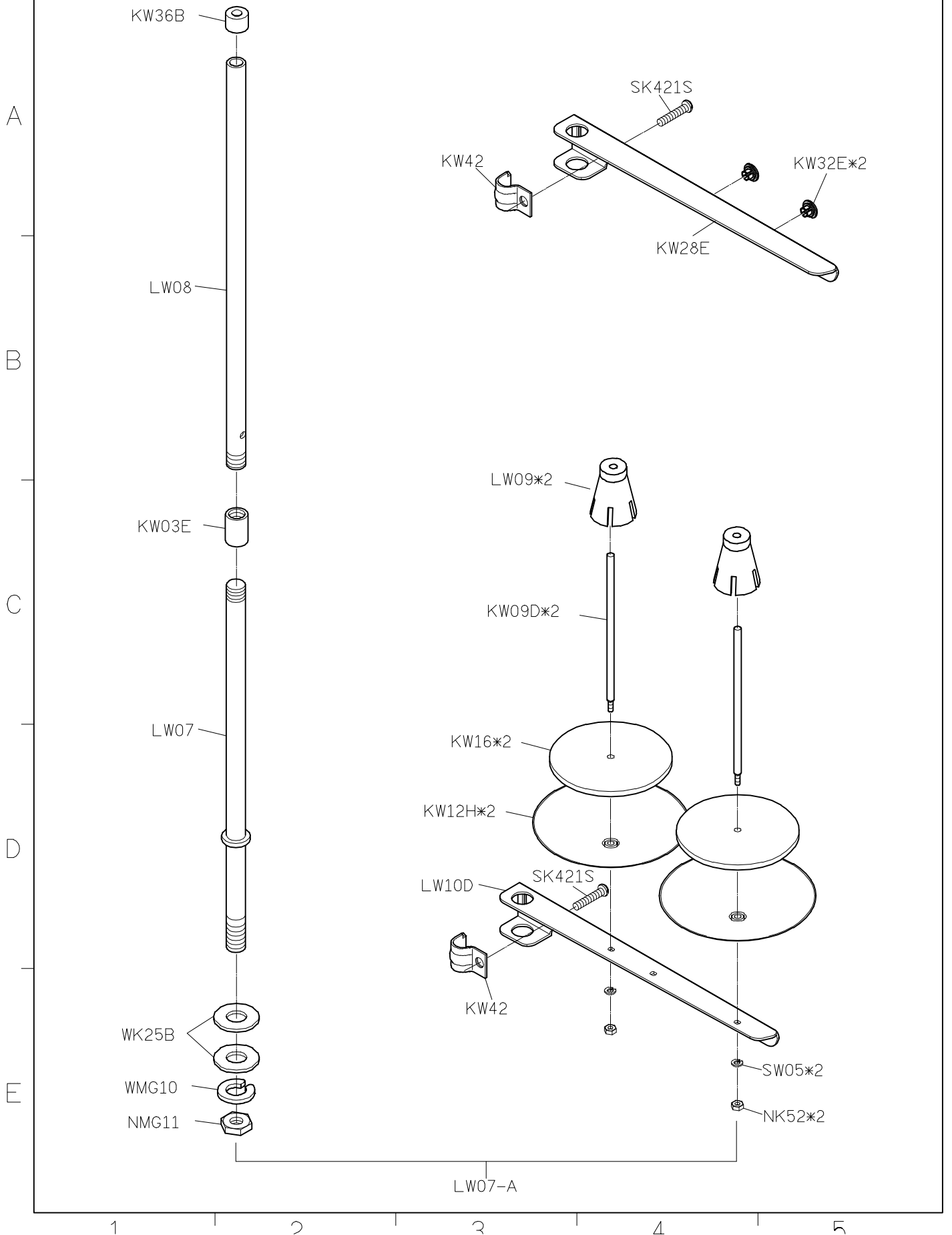
**Subclass / Remark**

**Page**

**1/1**

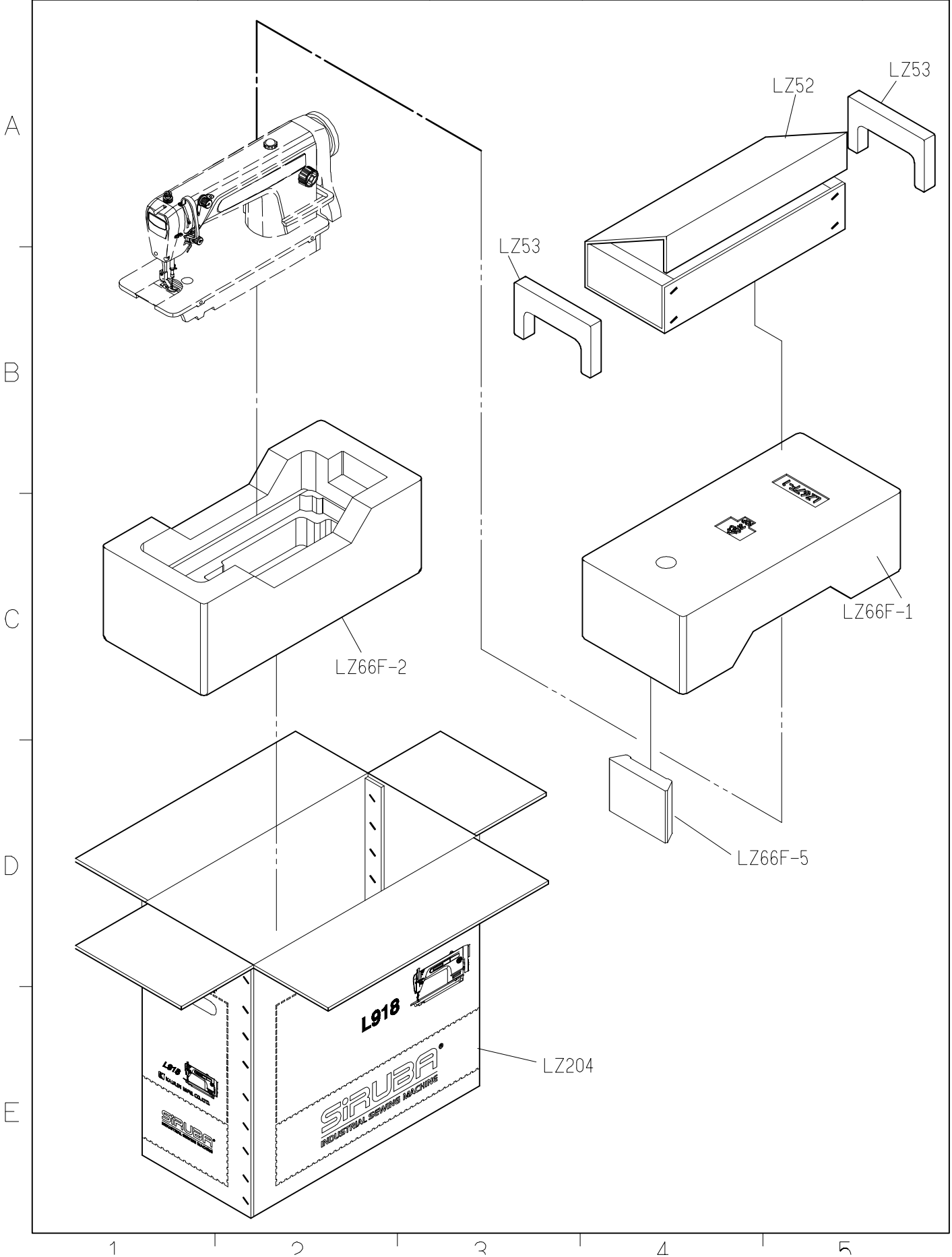
**Date**

**2013/04/10**





<b>SIRUBA</b> <b>PARTS LIST</b>	Series	Parts Group	Subclass / Remark	Page
	L918-RM1	LZ		1/1
				Date
				2012/11/01



SIRUBA TABLE CUT - OUT	Series	Item Code	Subclass / Remark	Mounting
	L818D/L917 L918/L918U L819/L819U	L918-T1		Fully-submerged
				Date
				2013/01/01

