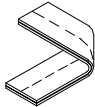

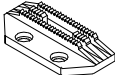
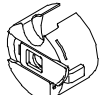




<b>SIRUBA</b> GAGE PARTS LIST	Series	Remark	Page	Date
	L918	DM1	1/1	2012/11/01

L918-DM1規格件表 /CONVERSION CHART

								
MODEL	SUB-CLASS	NEEDLE PLATE	FEED DOG	PRESSER FOOT	HOOK ASM	BOBBIN CASE ASM	BOBBIN	NEEDLE
機 型	規 格	針 板	送 具	押 具	梭 頭	梭 殼	梭 子	針 號
L918-DM1	半無油式 中厚布料	E704	D701	P701	G111	G201	G301	DBX1#14
L918-DM1A		E704D	D702					

**SIRUBA**

**PARTS LIST**

**Series**

**L918-DM1**

**Parts Group**

**LA**

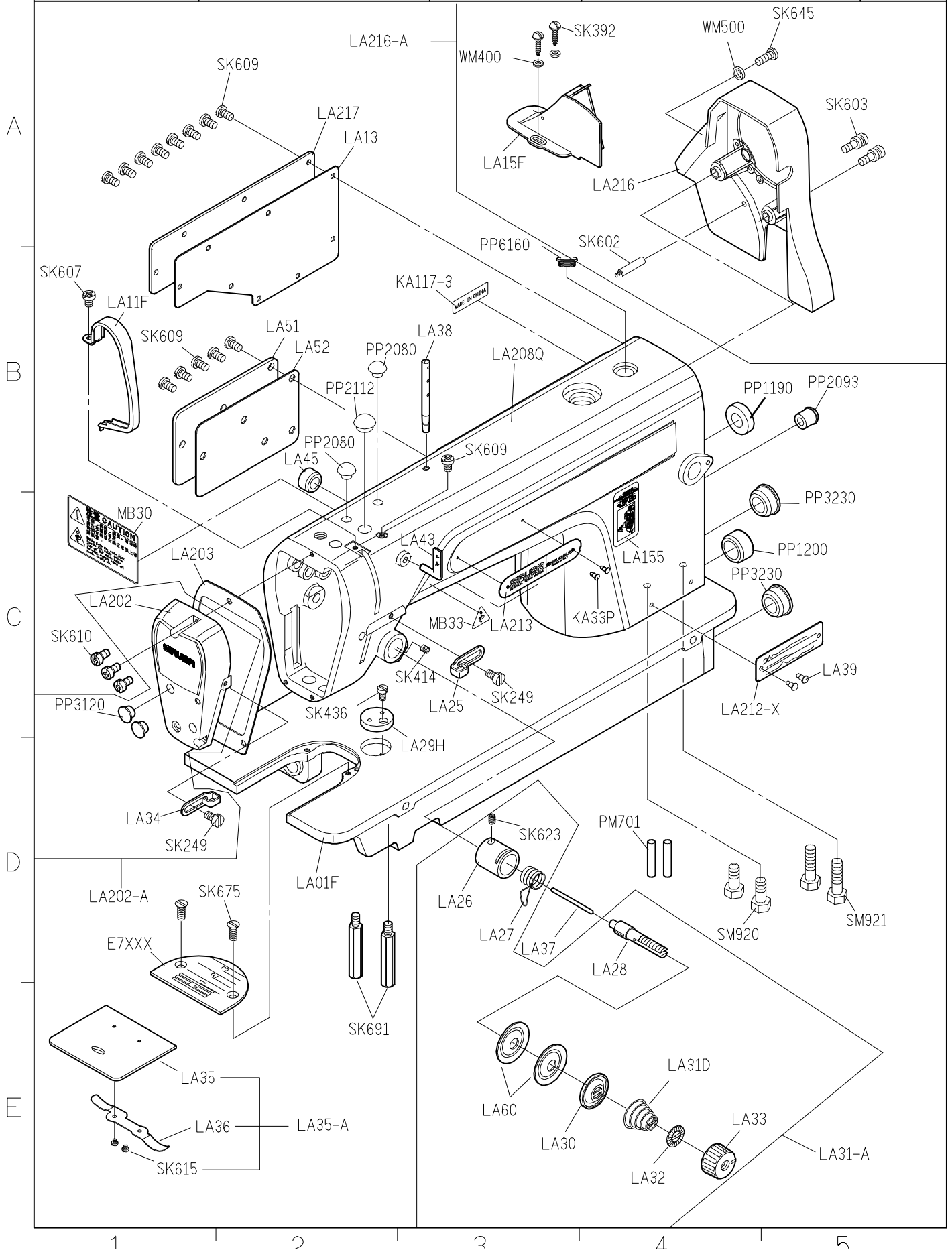
**Subclass / Remark**

**Page**

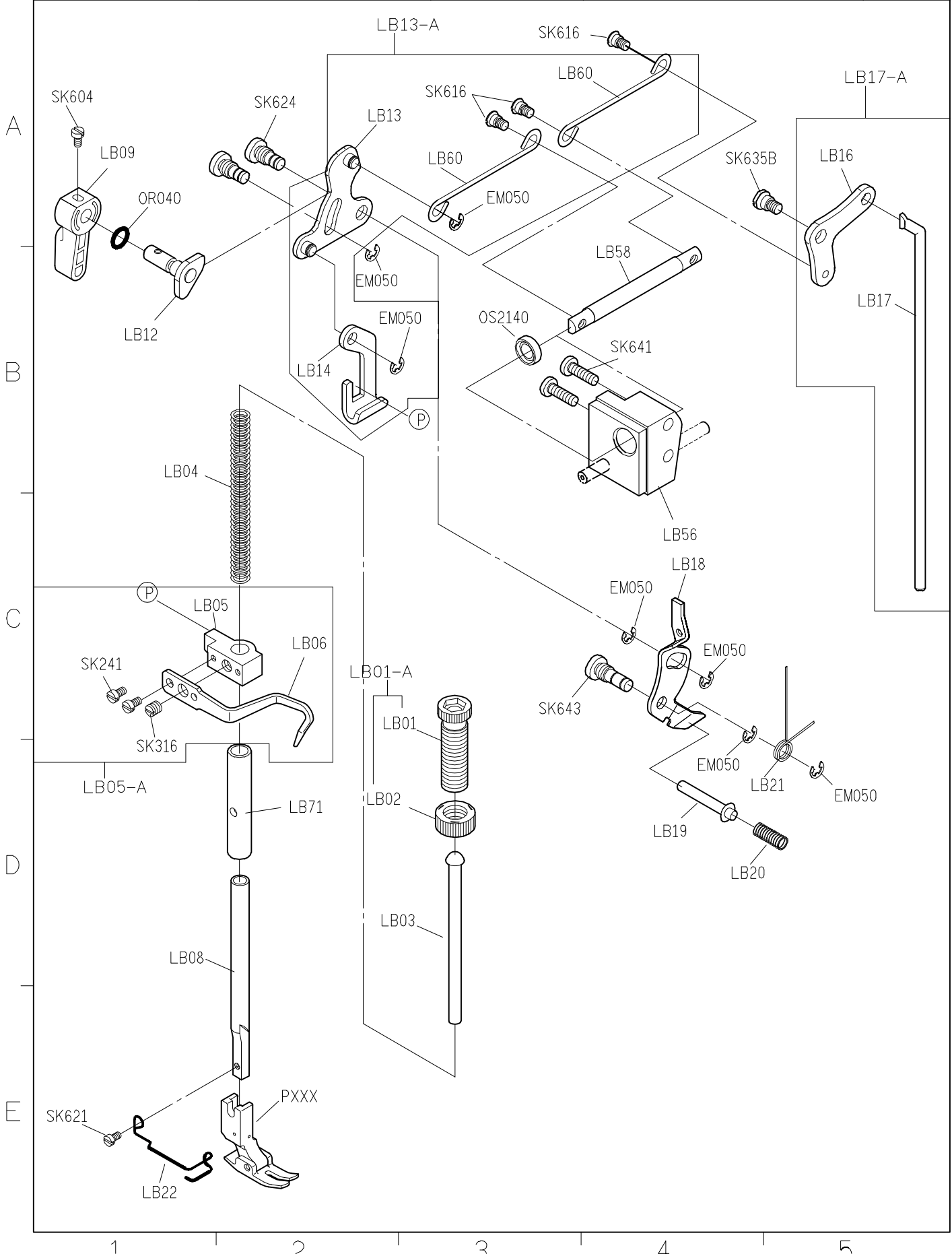
1/1

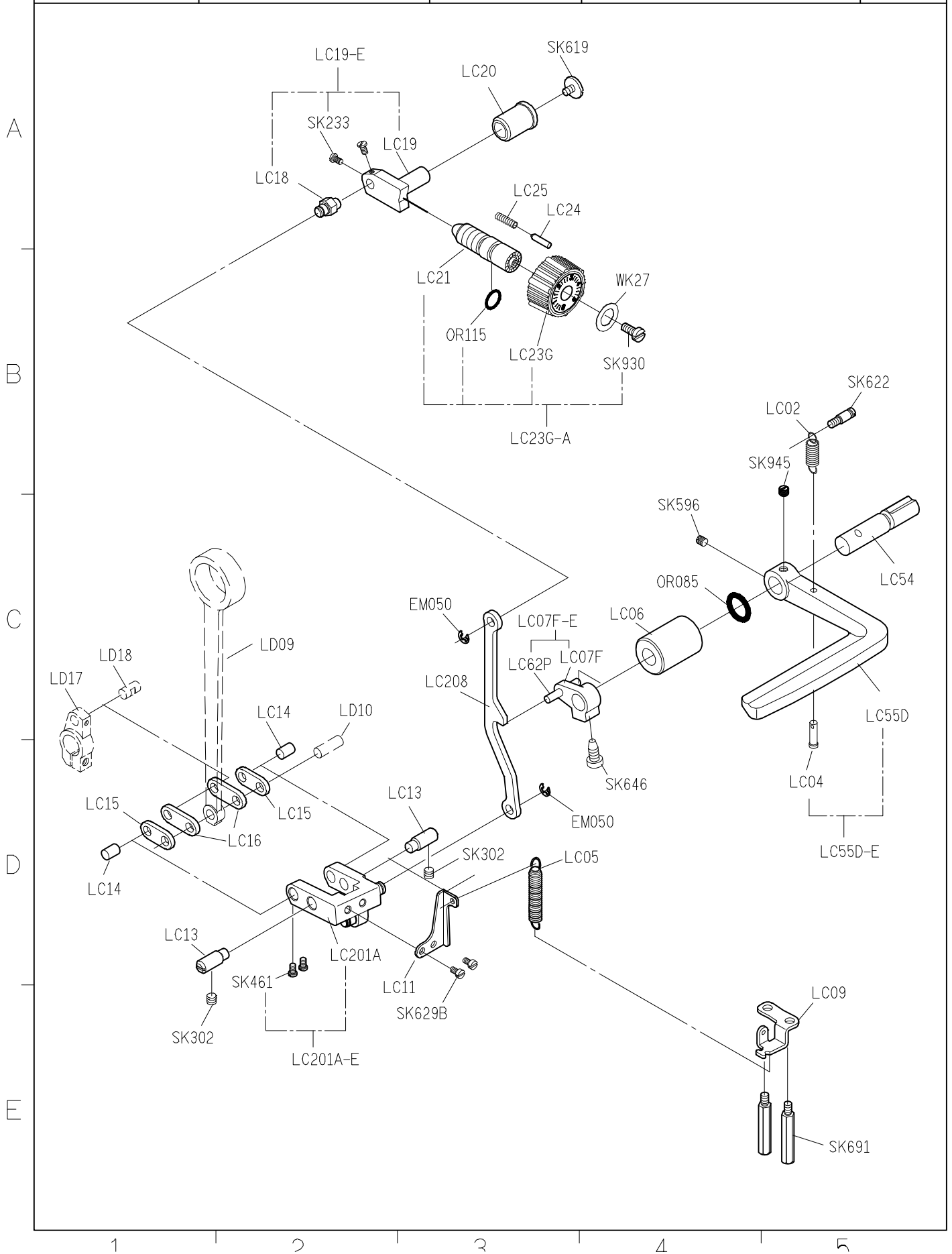
**Date**

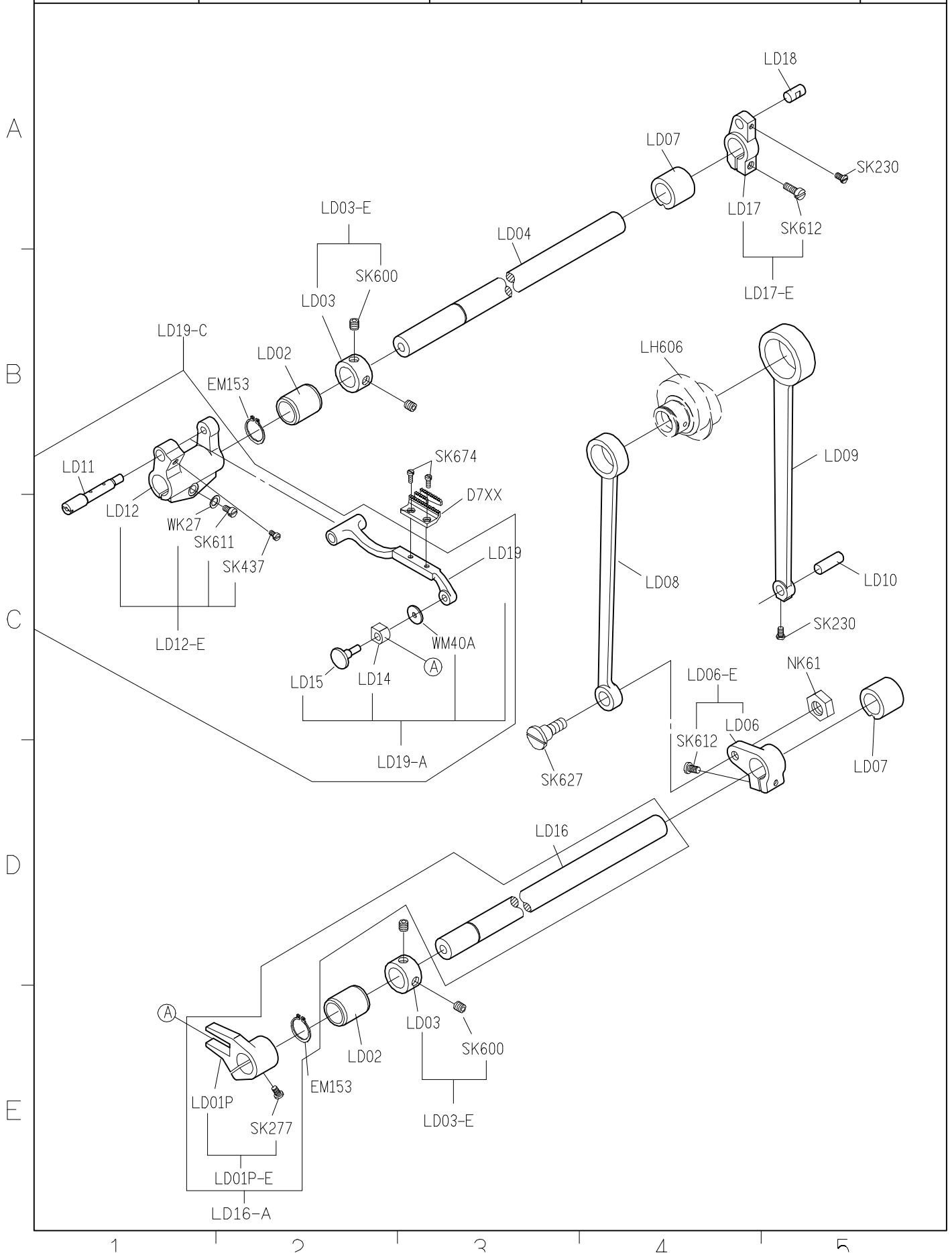
2012/11/01



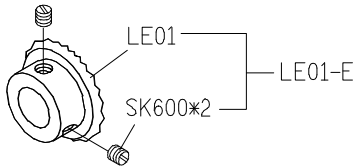
<b>SIRUBA</b> <b>PARTS LIST</b>	<b>Series</b>	<b>Parts Group</b>	<b>Subclass / Remark</b>	<b>Page</b>
	<b>L918-DM1</b>	<b>LB</b>		1/1
				<b>Date</b>
				2012/11/01



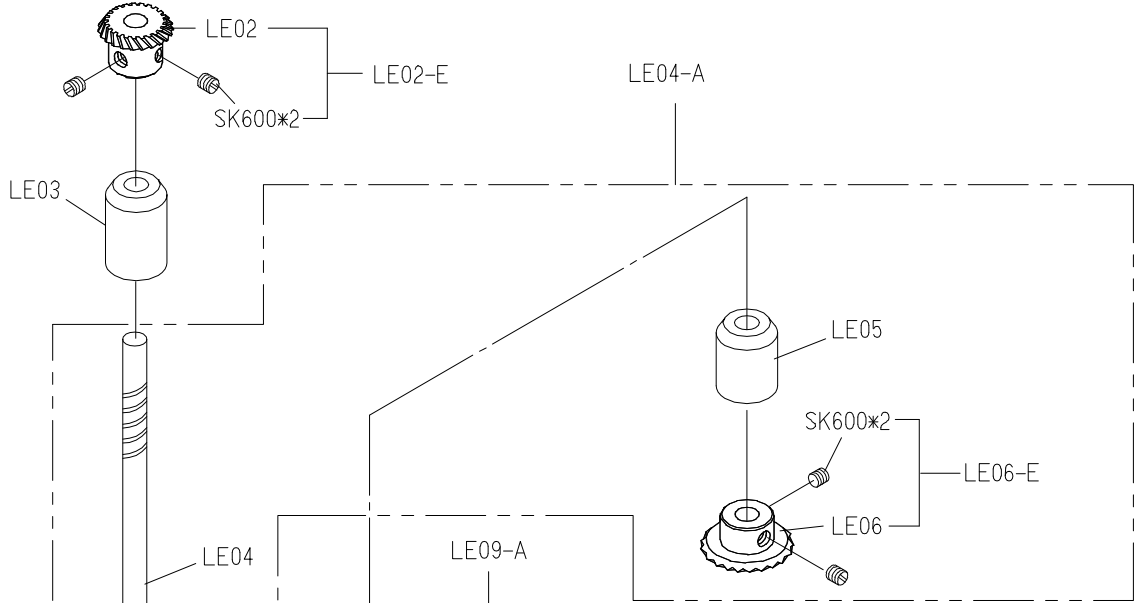




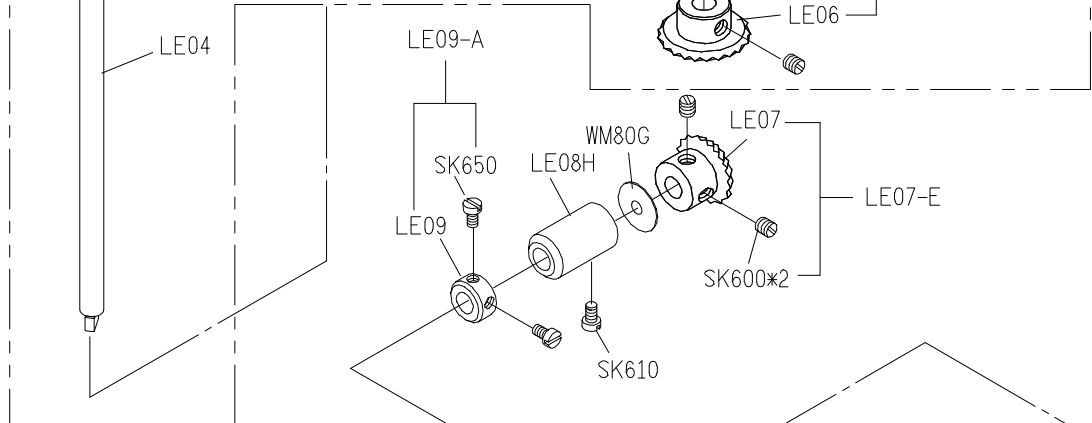
A



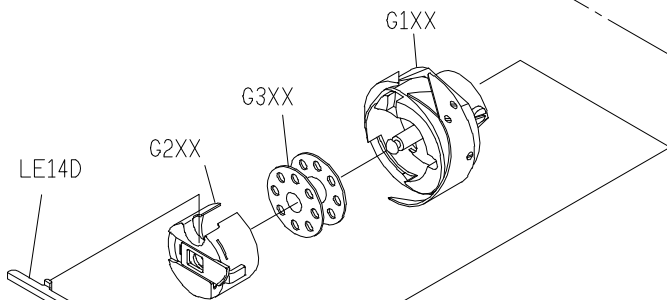
B



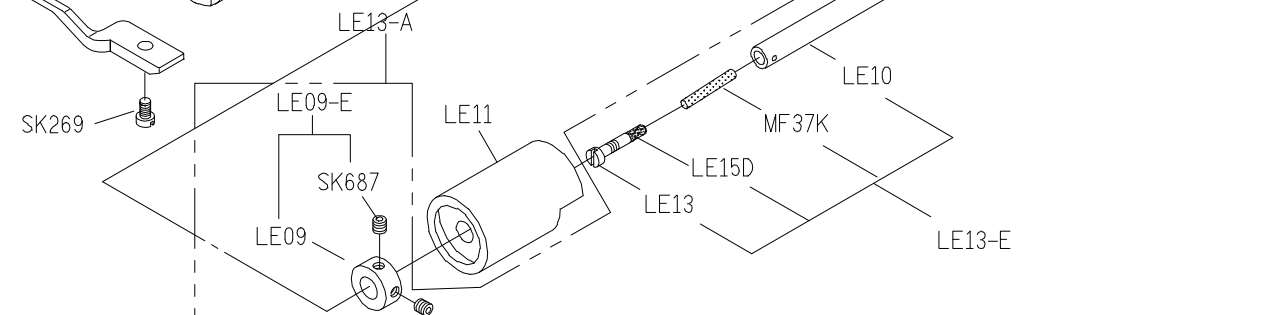
C



D



E



1

2

3

4

5

<b>SIRUBA</b>  <b>PARTS LIST</b>	Series	Parts Group	Subclass / Remark	Page
	L918-DM1	LG		1/1
				Date
				2012/11/01

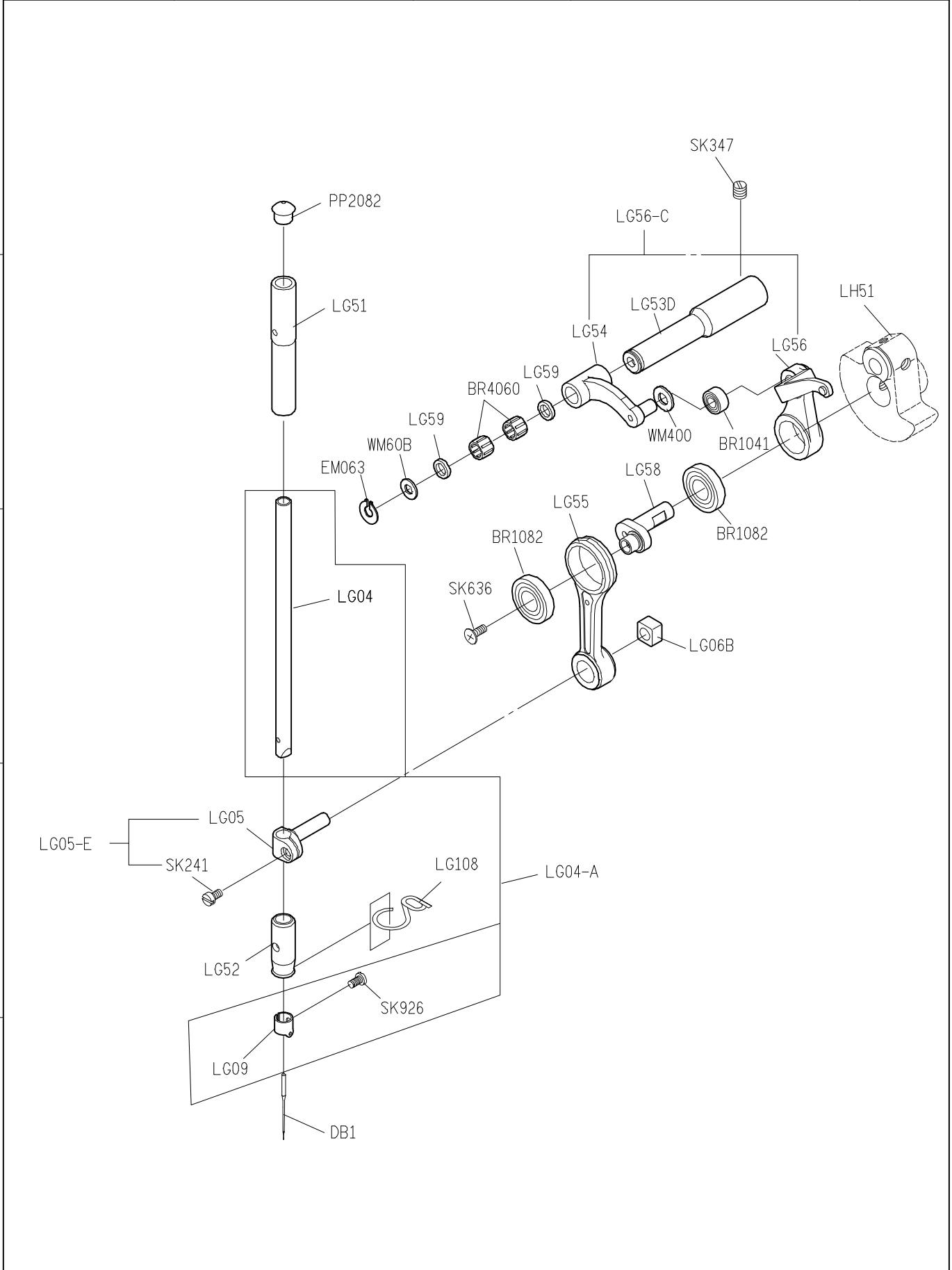
A

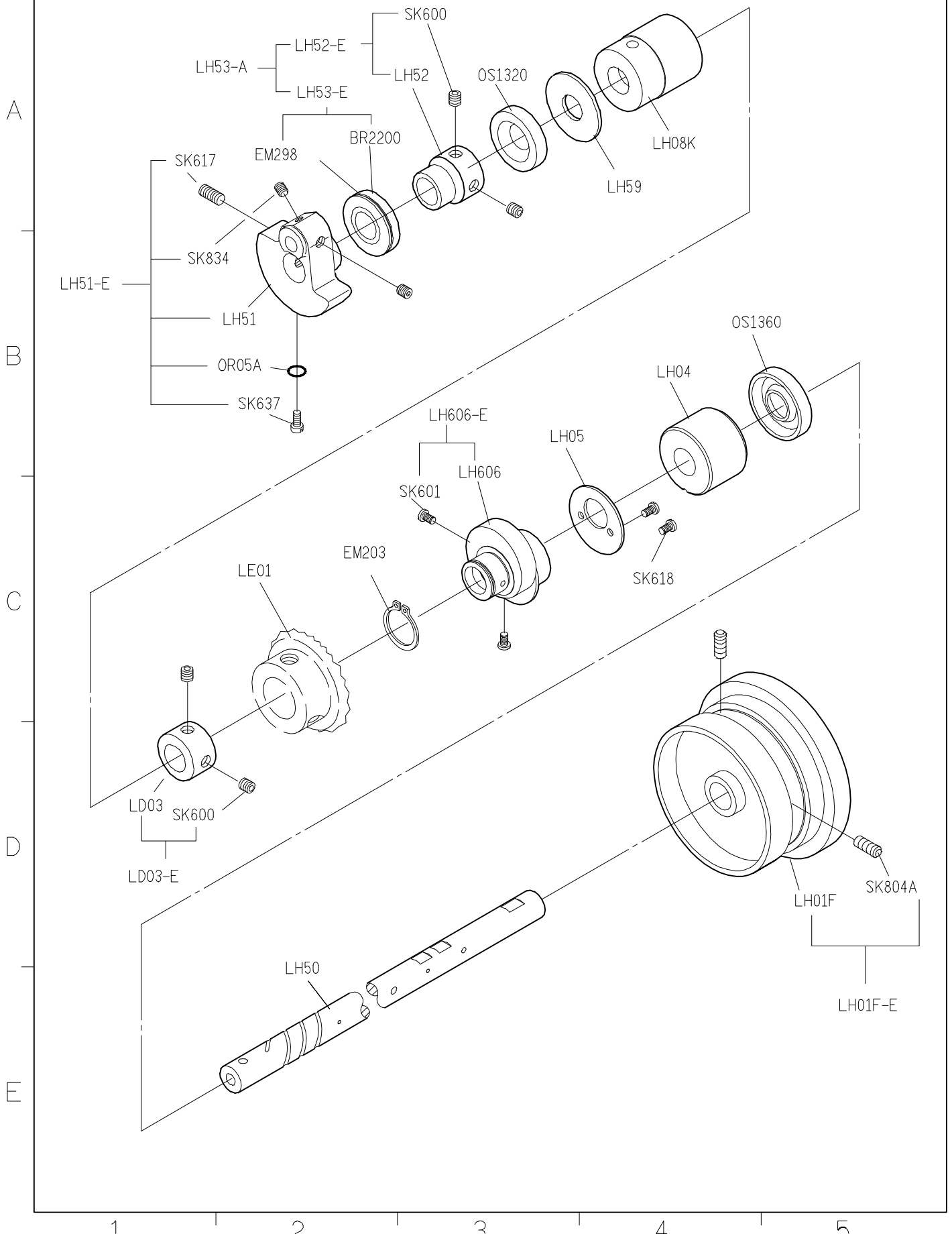
B

C

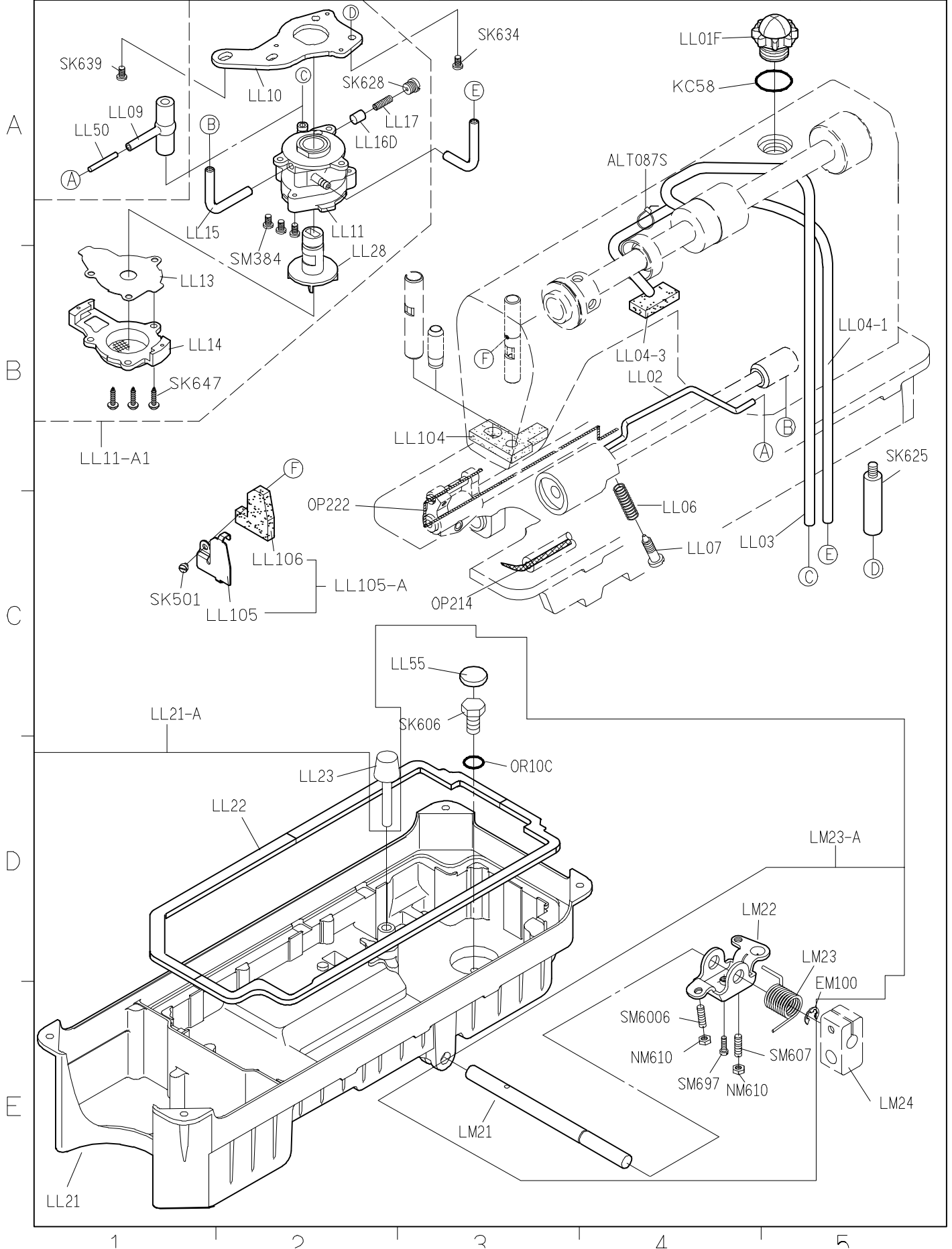
D

E









<b>SIRUBA</b>  <b>PARTS LIST</b>	<b>Series</b>	<b>Parts Group</b>	<b>Subclass / Remark</b>	<b>Page</b>
	<b>L918-DM1</b>	<b>LM</b>		<b>1/1</b>
				<b>Date</b>
				<b>2012/11/01</b>

LM01H-A

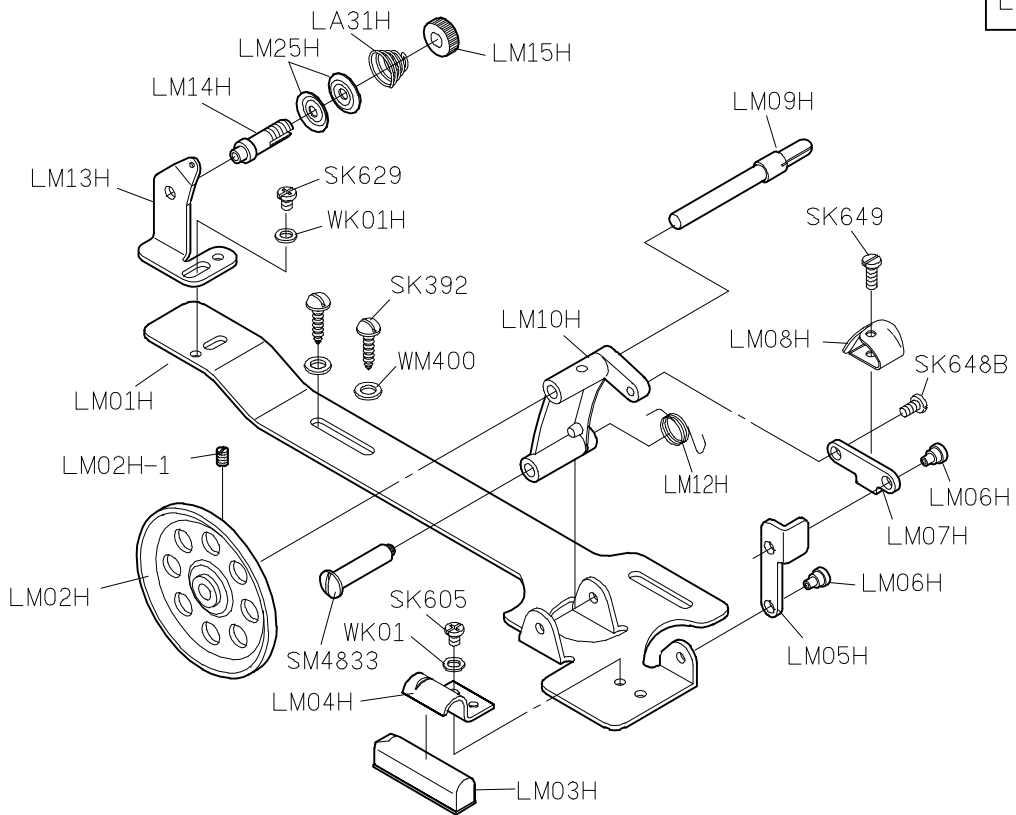
A

B

C

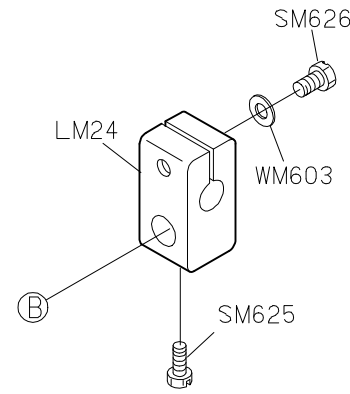
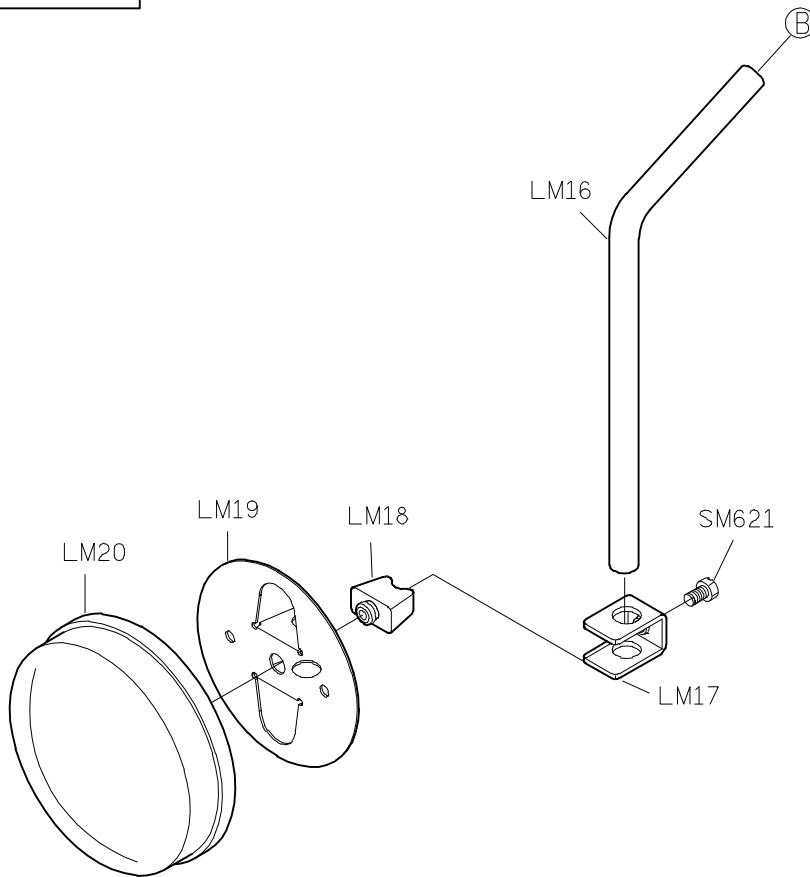
D

E



LM20-A

LM24-E



1

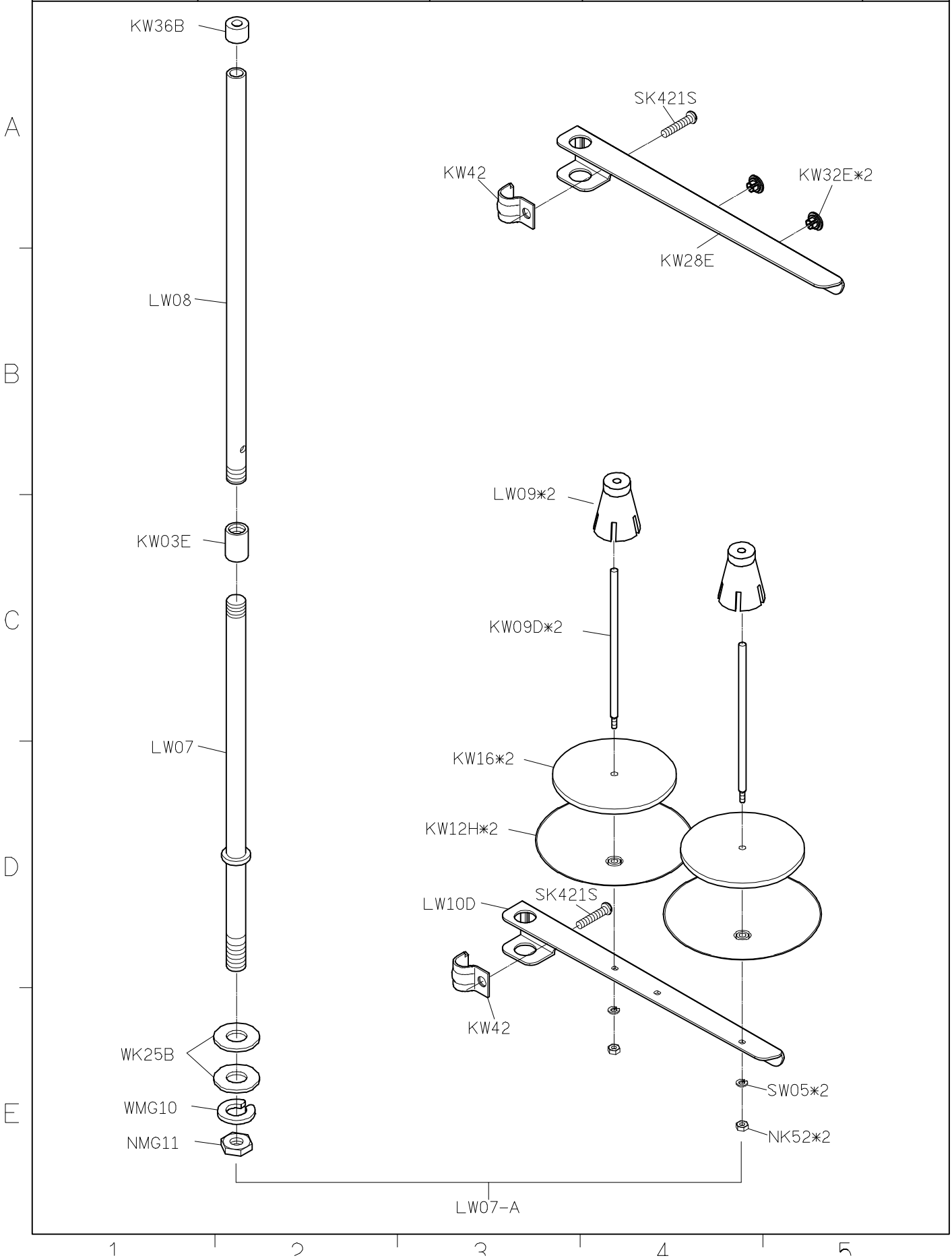
2

3


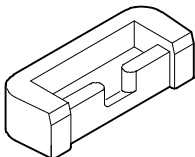
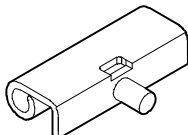

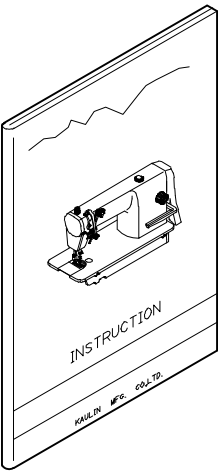
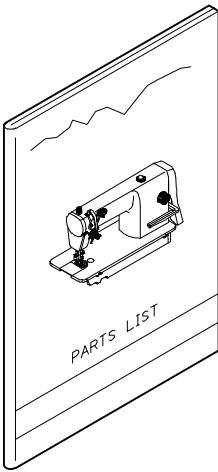

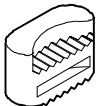


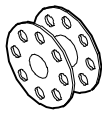
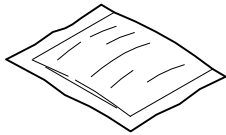
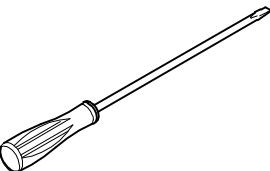
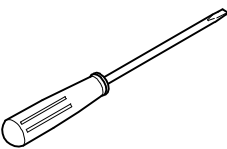
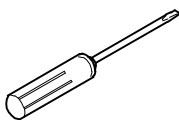

4

5

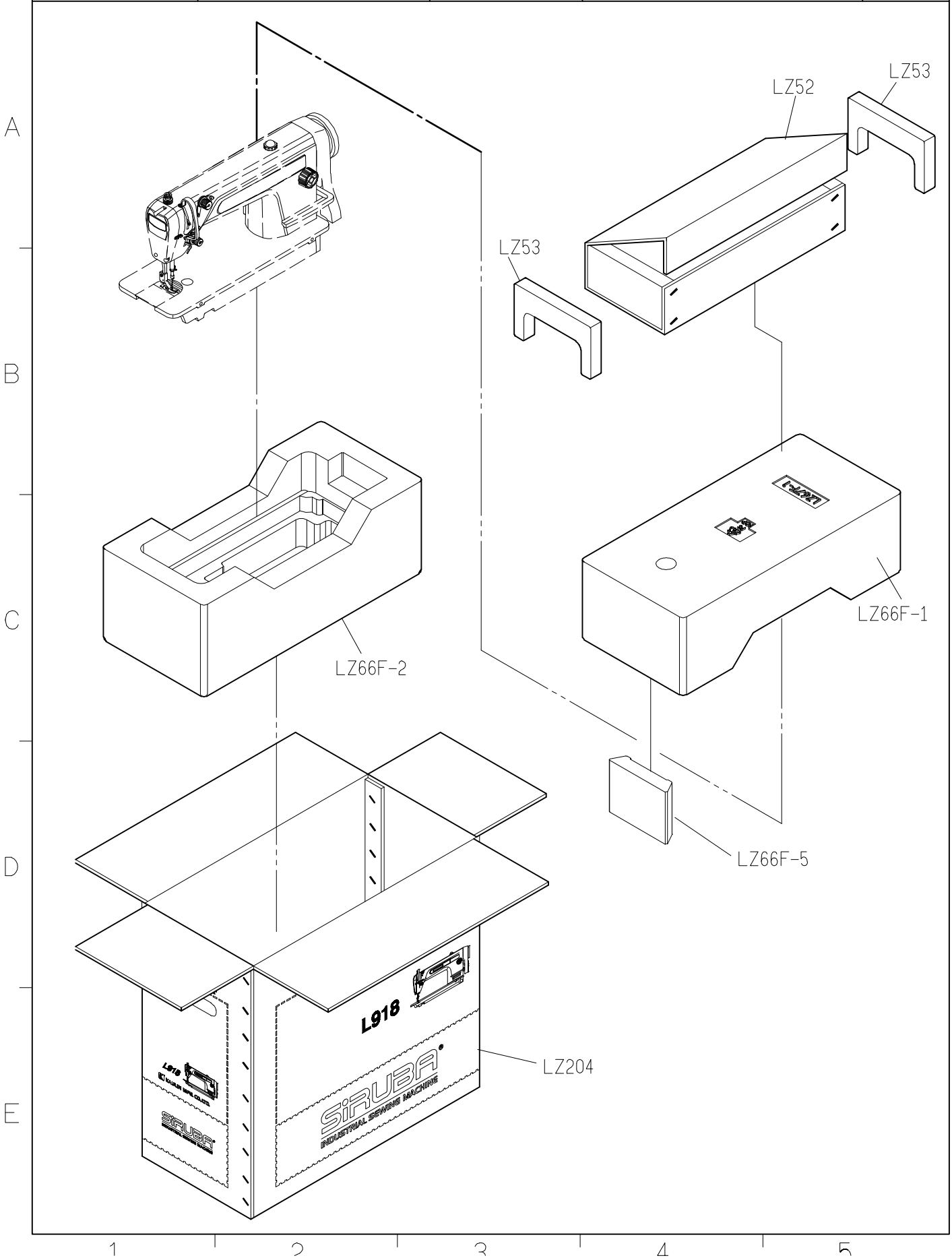
<b>SIRUBA</b> <b>PARTS LIST</b>	Series	Parts Group	Subclass / Remark	Page
	<b>L918-DM1</b>	<b>LW</b>		1/1
				Date
				2013/04/10



<b>SIRUBA</b> <b>PARTS LIST</b>	Series	Parts Group	Subclass / Remark	Page
	L918-DM1	LY		1/1
				Date
				2012/11/01

	LY02	YM04*2	LY05*2	YM102*2
A				
	LY218	LY226	LY37-A	YM103*2
B				
C				
	針*2	LY38	G3XX	KZ03*1
D				
	LY33	LY34	LY35	KY201
E				
	1	2	3	4
				5

<b>SIRUBA</b> <b>PARTS LIST</b>	Series	Parts Group	Subclass / Remark	Page
	L918-DM1	LZ		1/1
				Date
				2012/11/01



SIRUBA TABLE CUT - OUT	Series	Item Code	Subclass / Remark	Mounting
	L818D/L917 L918/L918U L819/L819U	L918-T1		Fully-submerged
				Date
				2013/01/01

