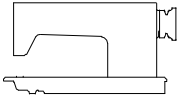
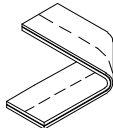
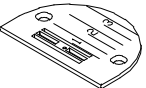
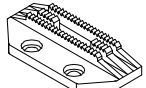
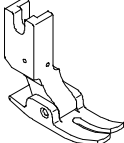
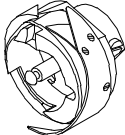
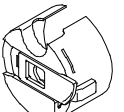






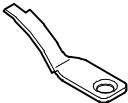
SIRUBA GAGE PARTS LIST	Series	Remark	Page	Date
	L819	-X1 / -X2	1 / 1	2012/11/01

L819規格件表 CONVERSION CHART

								
MODEL	SUB-CLASS	NEEDLE PLATE	FEED DOG	PRESSER FOOT	HOOK ASM	BOBBIN CASE ASM	BOBBIN	NEEDLE
機 型	規 格	針 板	送 具	押 具	梭 頭	梭 殼	梭 子	針 號
L819-X1	厚布料 至 特厚布料	E702	D702	P711/P712	G112	G201	G301	DBX1#21
L819-X2		E702	D702	P711/P712	G131	G204	G304	DBX1#21

SIRUBA MODEL COMPARE LIST	Series	Remark	Page	Date
	L819/L819U	-X1/-X2	1/2	2012/11/01

L819/L819U 型別件表

										
MODEL	SUB-CLASS	BAD	THRAD TAKE UP LEVER COVER	THREAD PLATE	THREAD PLATE	THREAD PLATE	THREAD PLATE	MOVABLE KINFE BRACKET	FIXED KINFE	FIXED KINFE
機 型	規 格	機體下座	天秤蓋	導線片	導線片	導線片	導線片	活動刀轉座	固定刀	固定刀
L819 /X1	厚布料	LA101	LA11F	LA34	—	LA125	—	—	—	—
L819 /X2		LA501	LA511	—	YA24	—	YA25	—	—	—
L819-TRIMMER /X1		LA101P	LA11F	LA34	—	LA125	—	LU100D	LU711	—
L819-TRIMMER /X2		LA501P	LA511	—	YA24	—	YA25	LU500	—	LU503

SIRUBA MODEL COMPARE LIST	Series	Remark	Page	Date
	L819/L819U	-X1/-X2	2/2	2012/11/01

L819/L819U 型別件表

													
MODEL	SUB-CLASS	FIXED KINFE FIXED BRACKET	FIXED KINFE FIXED BRACKET	THRAD TAKE UP LEVER	NEEDLE PLATE	BELT PLATE SPRING	MOVABLE KINFE						
機 型	規 格	固定刀固定座	固定刀固定座	天秤	針線導片	板狀彈簧	活動刀						
L819 /X1	厚布料	—	—	LG113	—	LM08	—						
L819 /X2		—	—	LG513	—	LM26	—						
L819-TRIMMER /X1		LU118D	—	LG113	LU102	—	LU100D						
L819-TRIMMER /X2		—	<table border="1" style="font-size: small;"> <tr><td>A</td><td>LU118</td></tr> <tr><td>B</td><td>SK718</td></tr> <tr><td>c</td><td>LU119</td></tr> </table>	A	LU118	B	SK718	c	LU119	LG513	LU502	—	LU500
A	LU118												
B	SK718												
c	LU119												

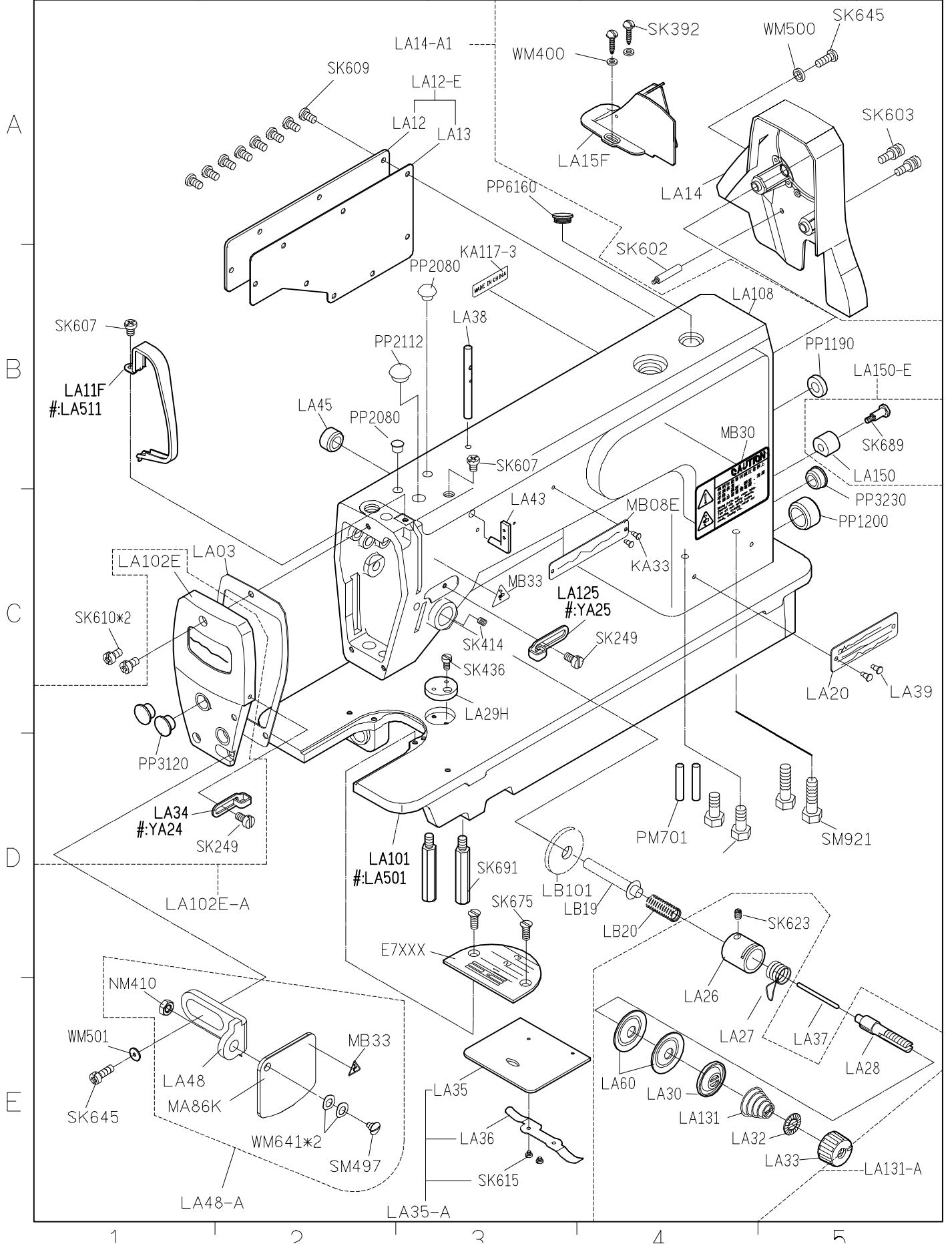
SIRUBA
PARTS LIST

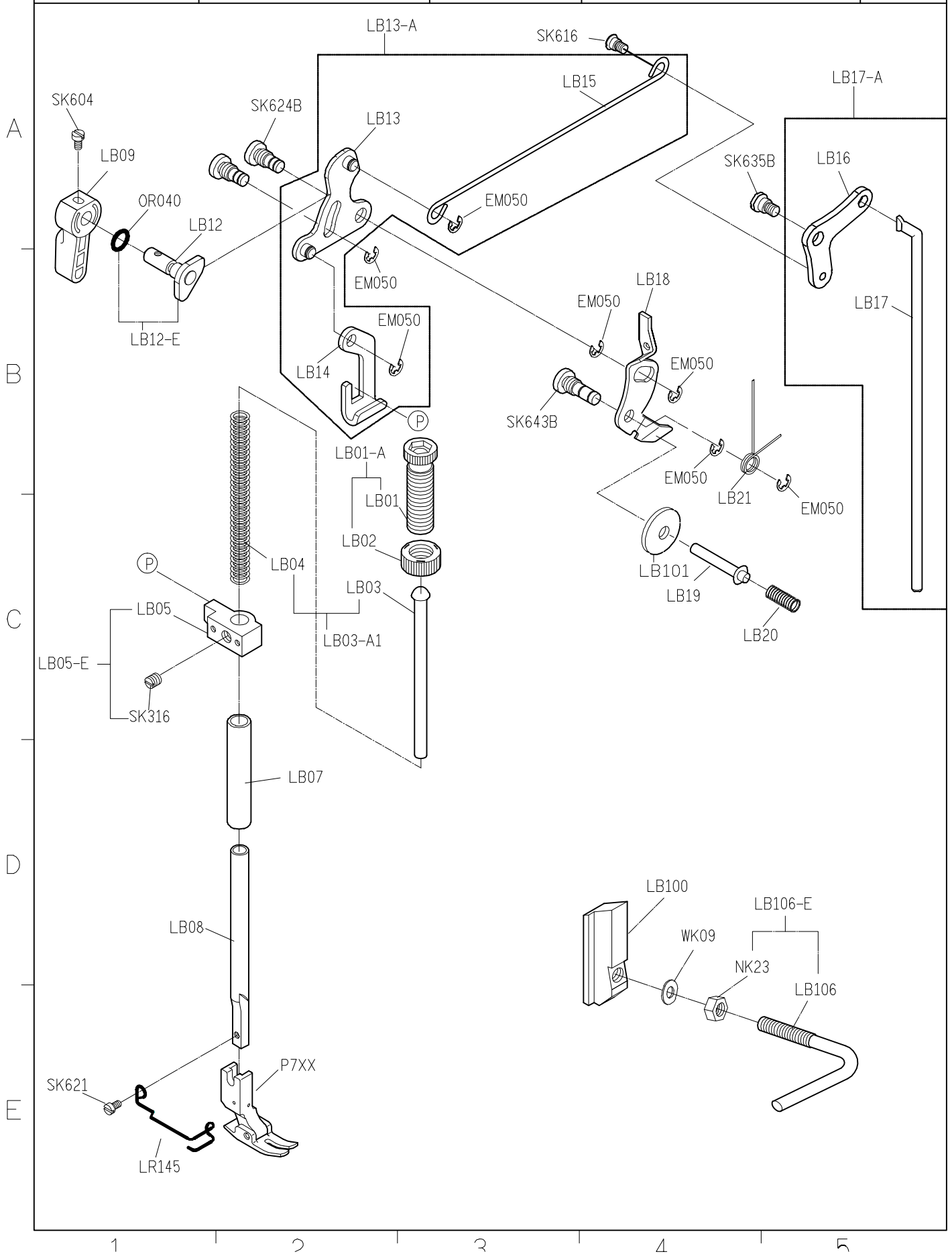
Series
L819-X1/X2

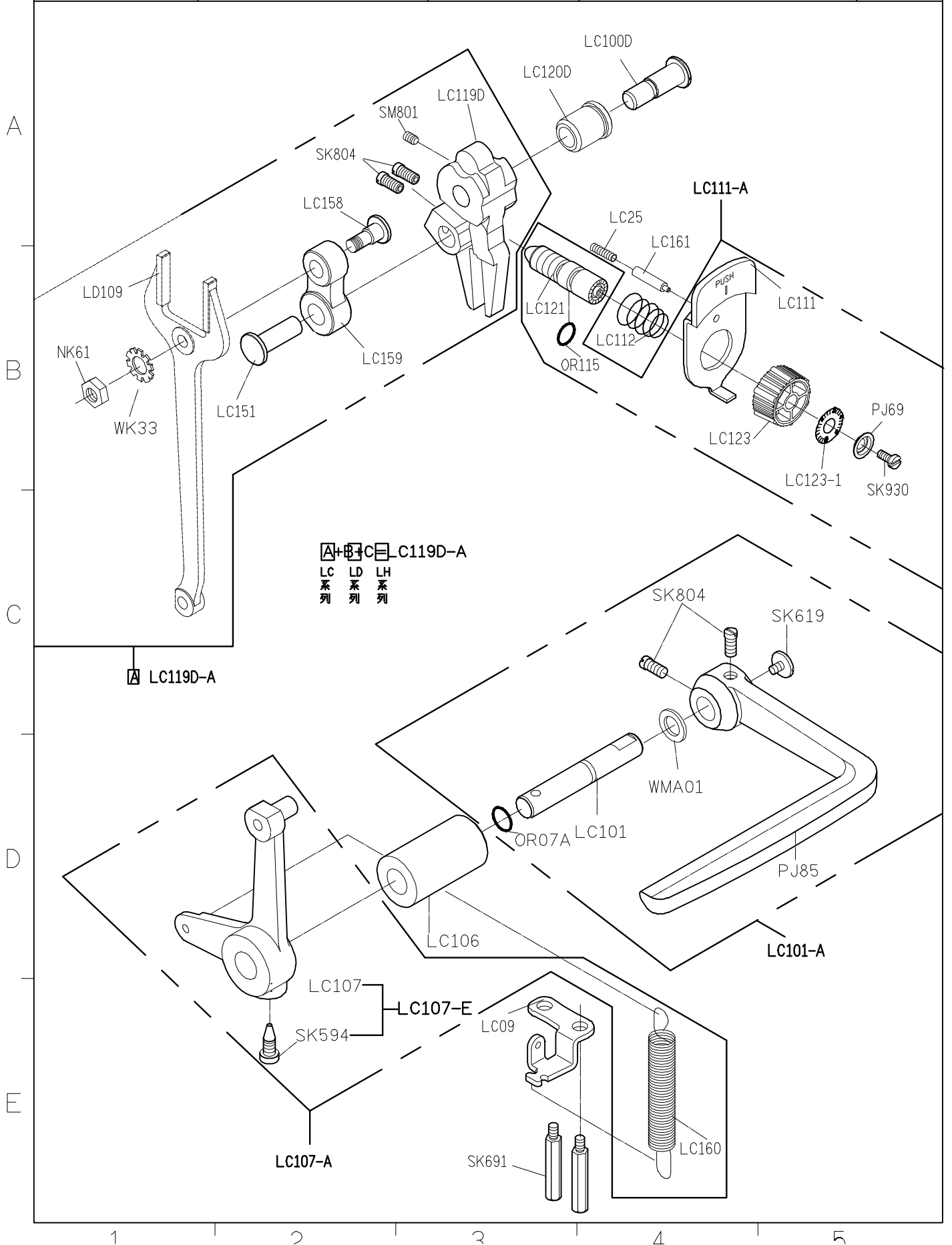
Parts Group
LA

Subclass / Remark
#:Use for X2

Page
1/1
Date
2013/07/27







SIRUBA

PARTS LIST

Series

L819-X1/X2

Parts Group

LD

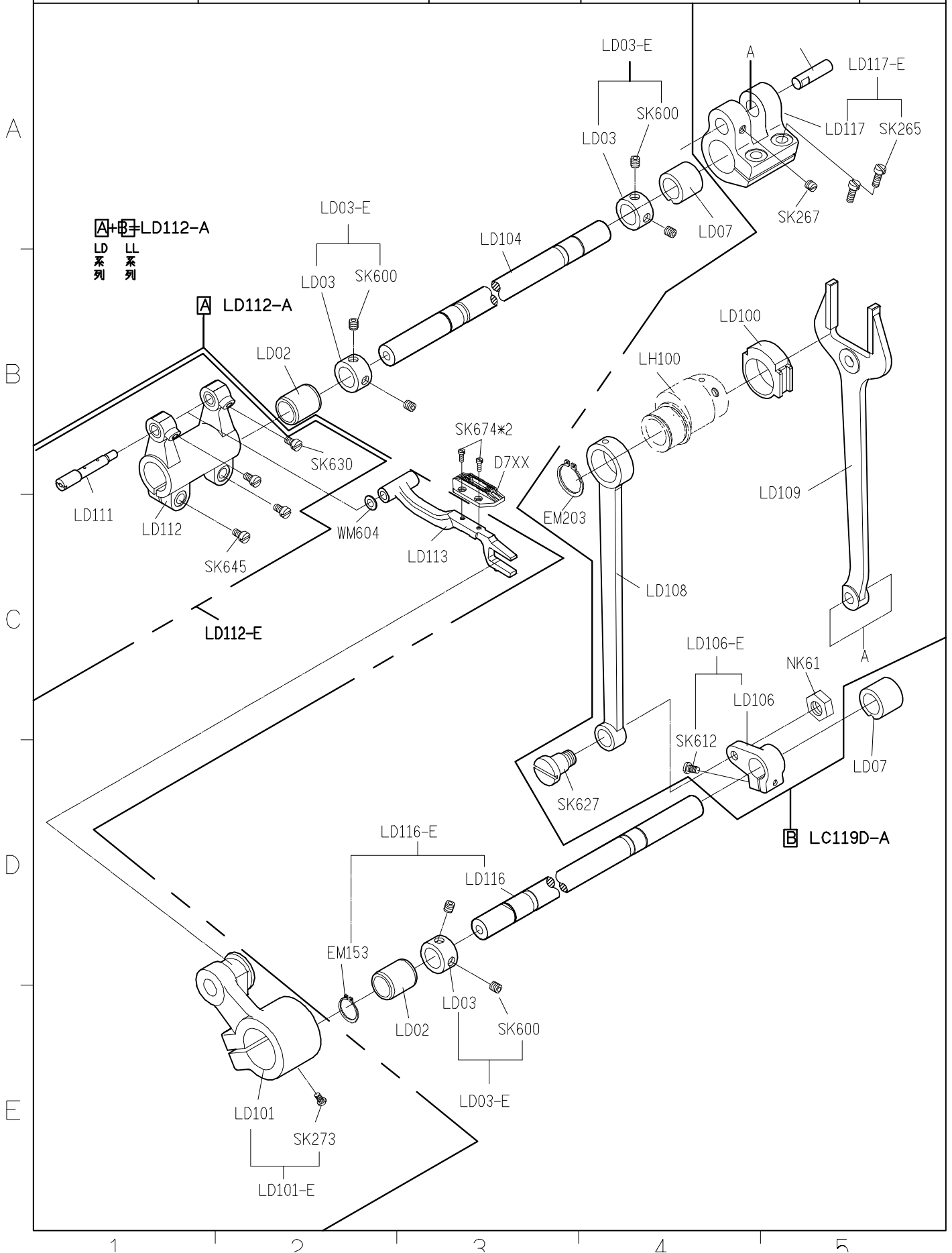
Subclass / Remark

Page

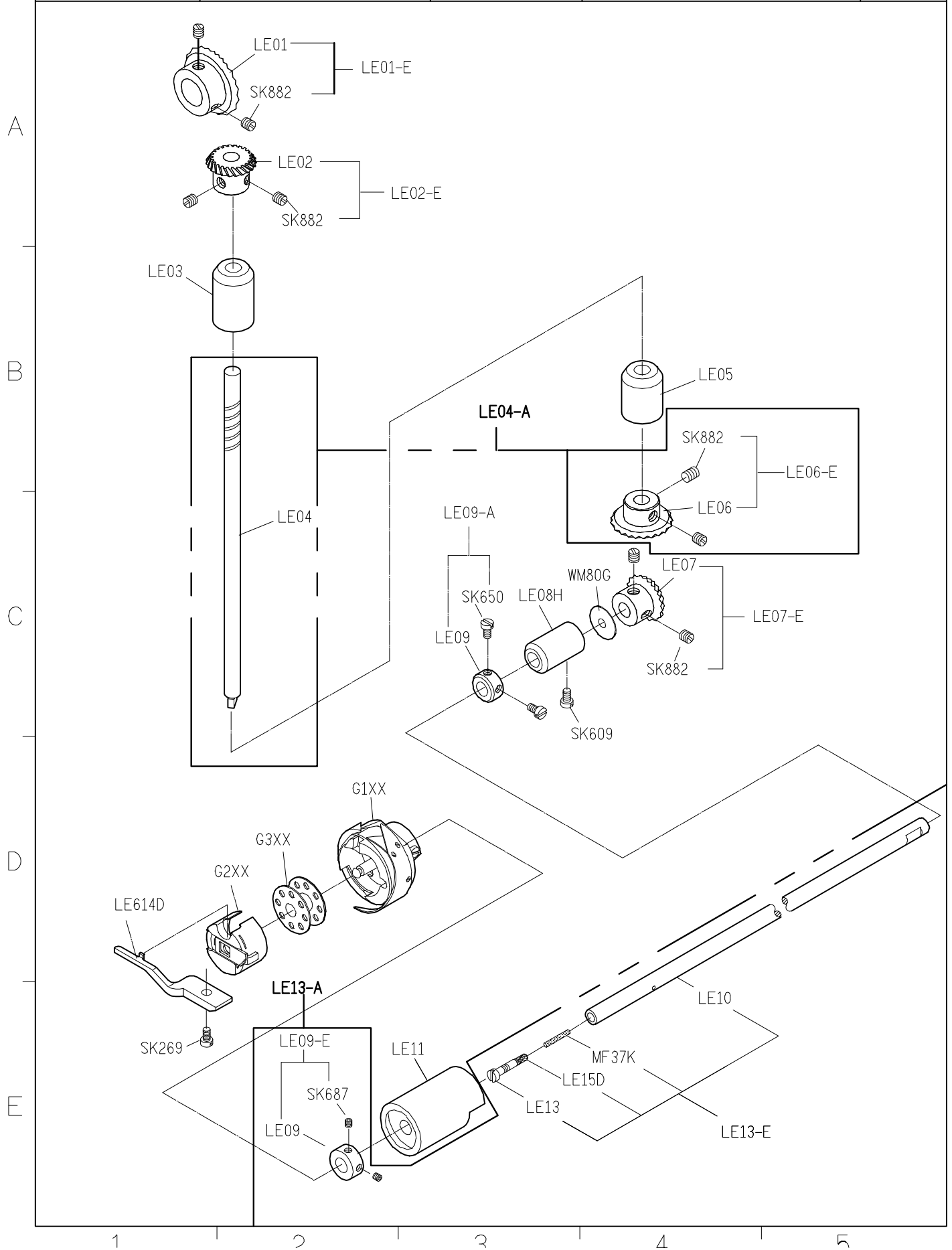
1/1

Date

2012/11/01



SIRUBA PARTS LIST	Series	Parts Group	Subclass / Remark	Page
	L819-X1/X2	LE		1/1
				Date
				2012/11/01



SIRUBA PARTS LIST	Series	Parts Group	Subclass / Remark	Page
	L819-X1/X2	LG	#:Use for X2	1/1
				Date
				2012/11/01

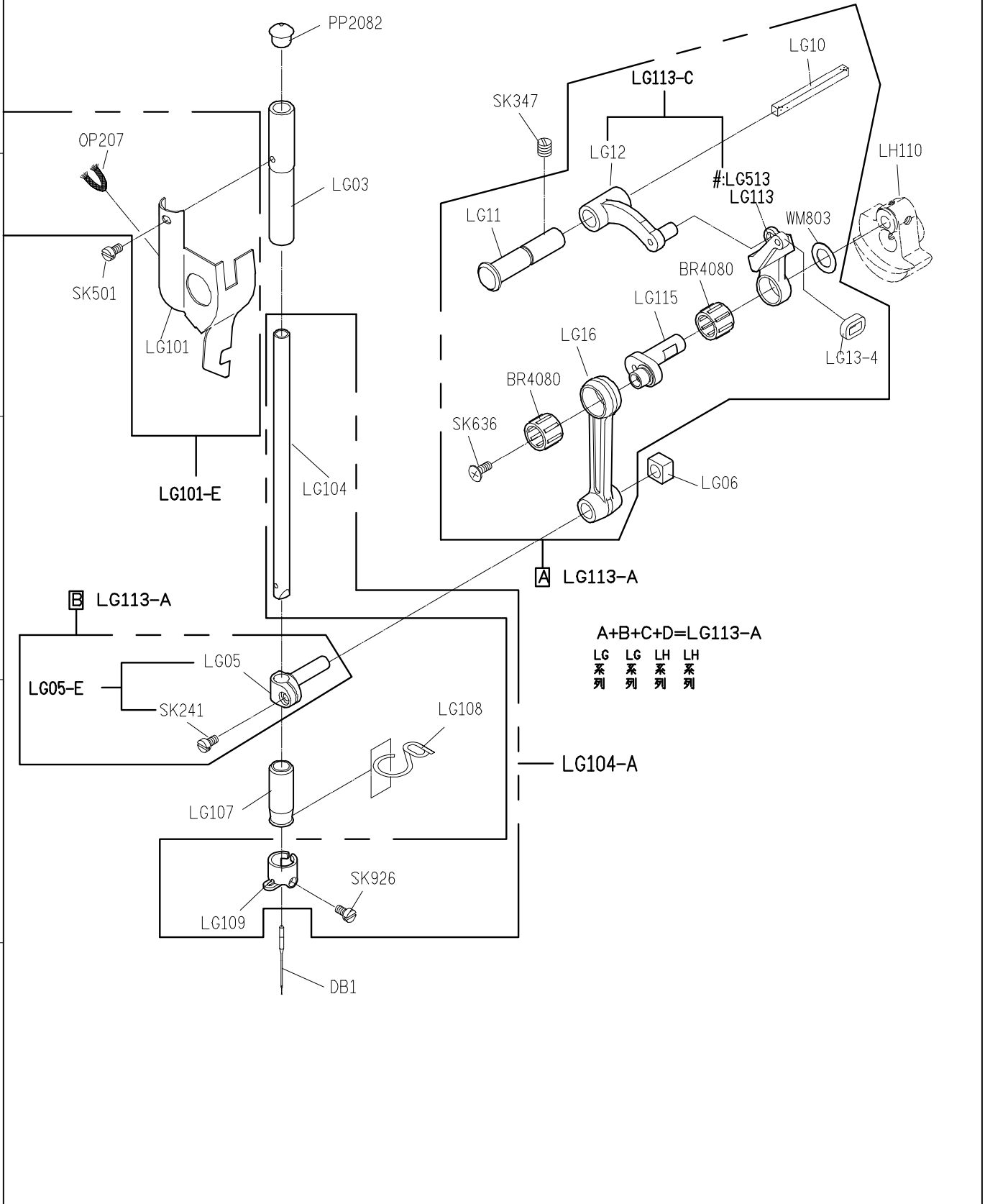
A

B

C

D

E



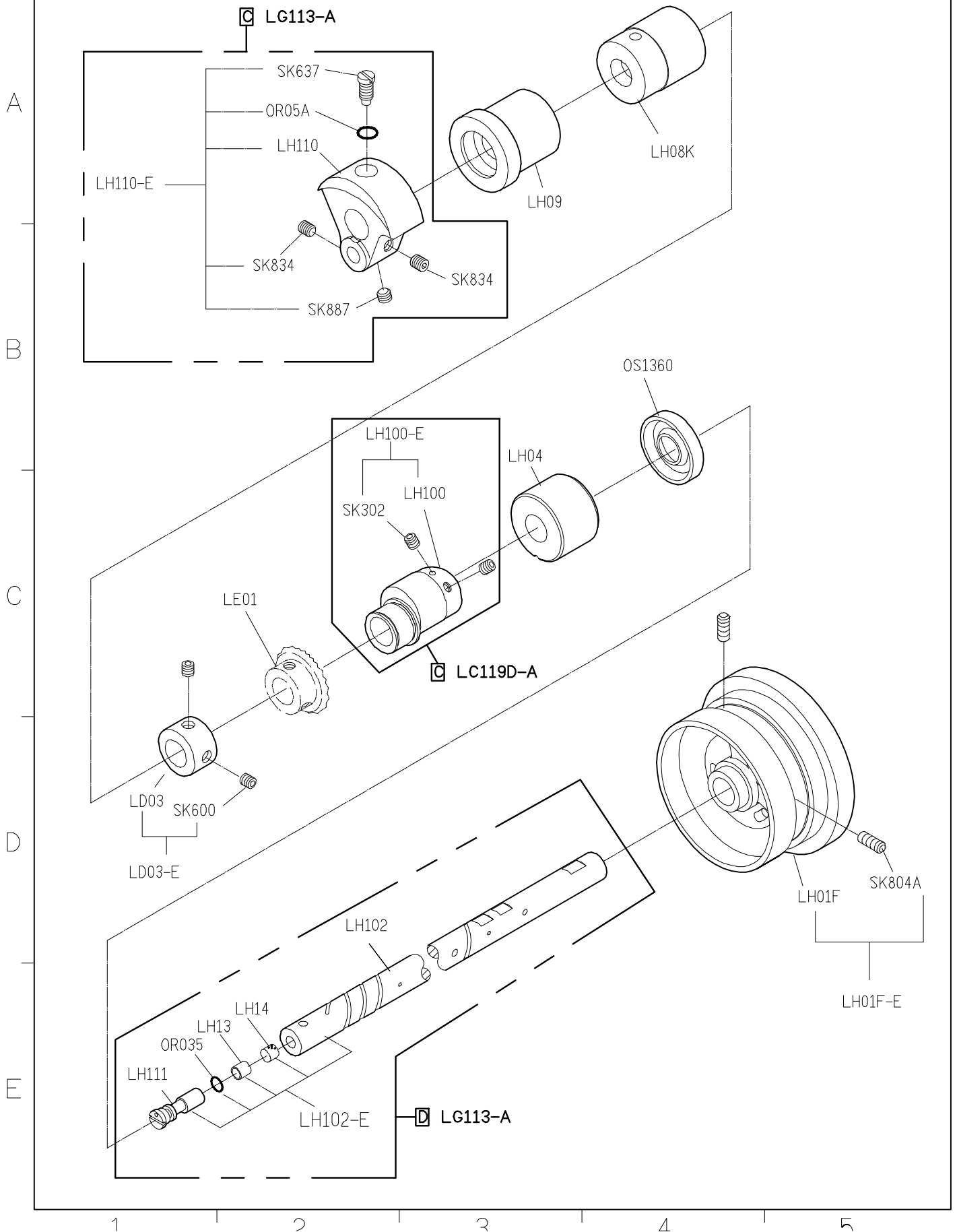
1

2

3

4

5



SIRUBA

PARTS LIST

Series

L819-X1/X2

Parts Group

LL

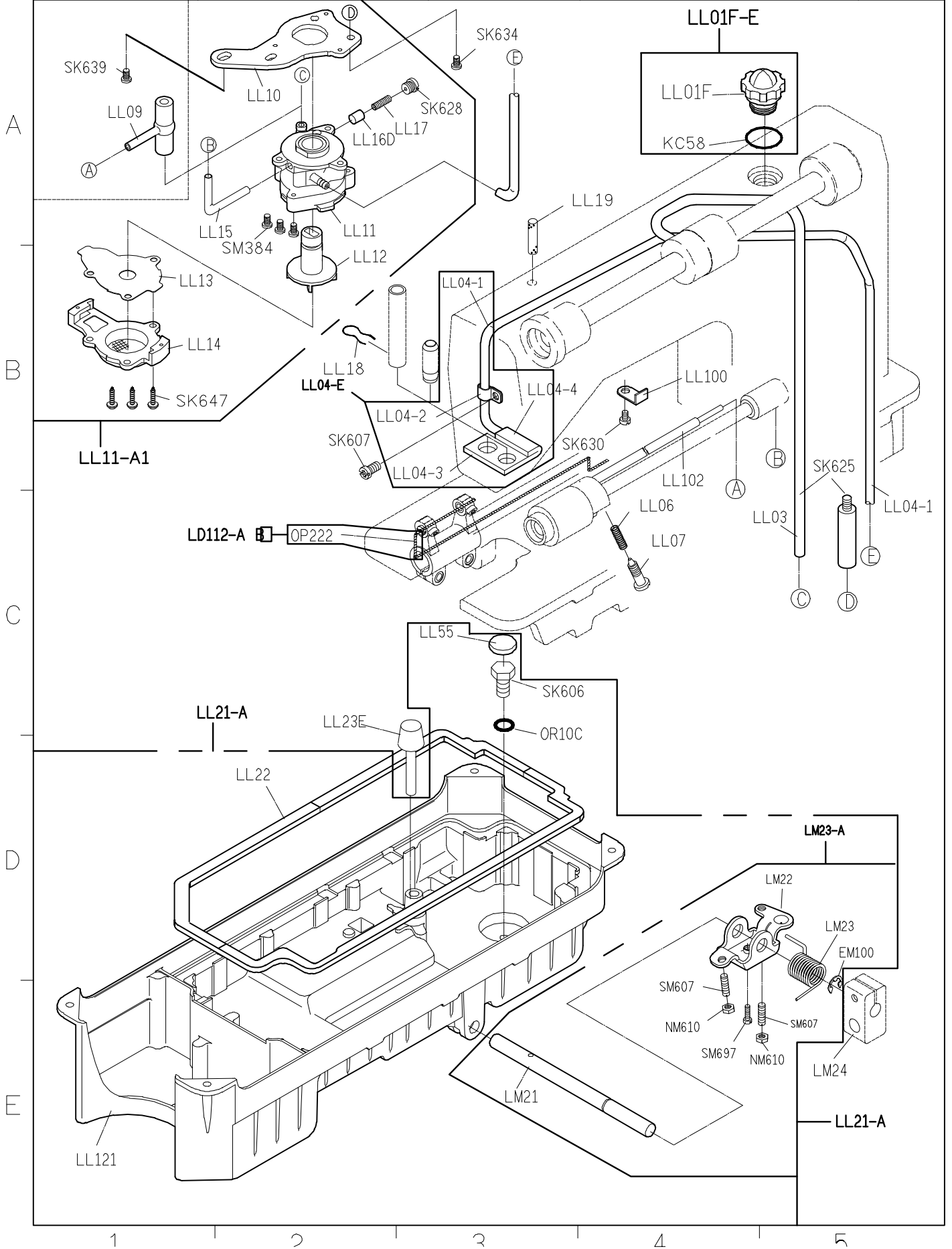
Subclass / Remark

Page

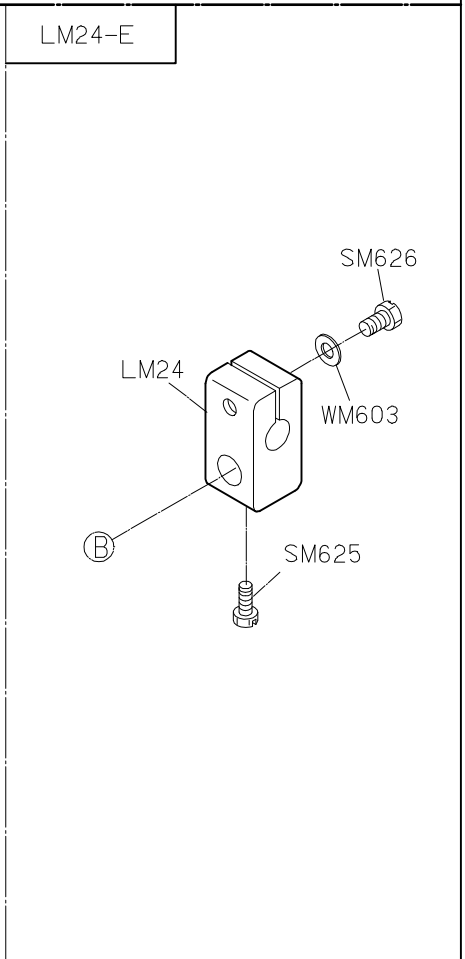
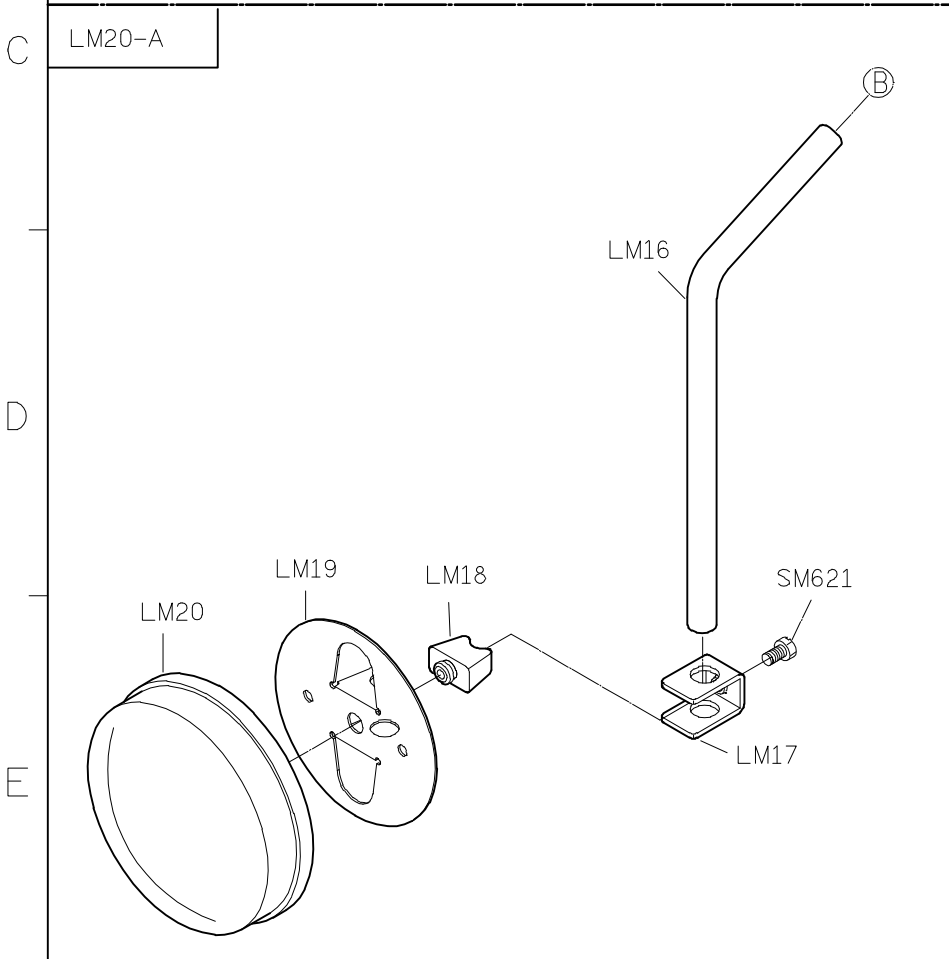
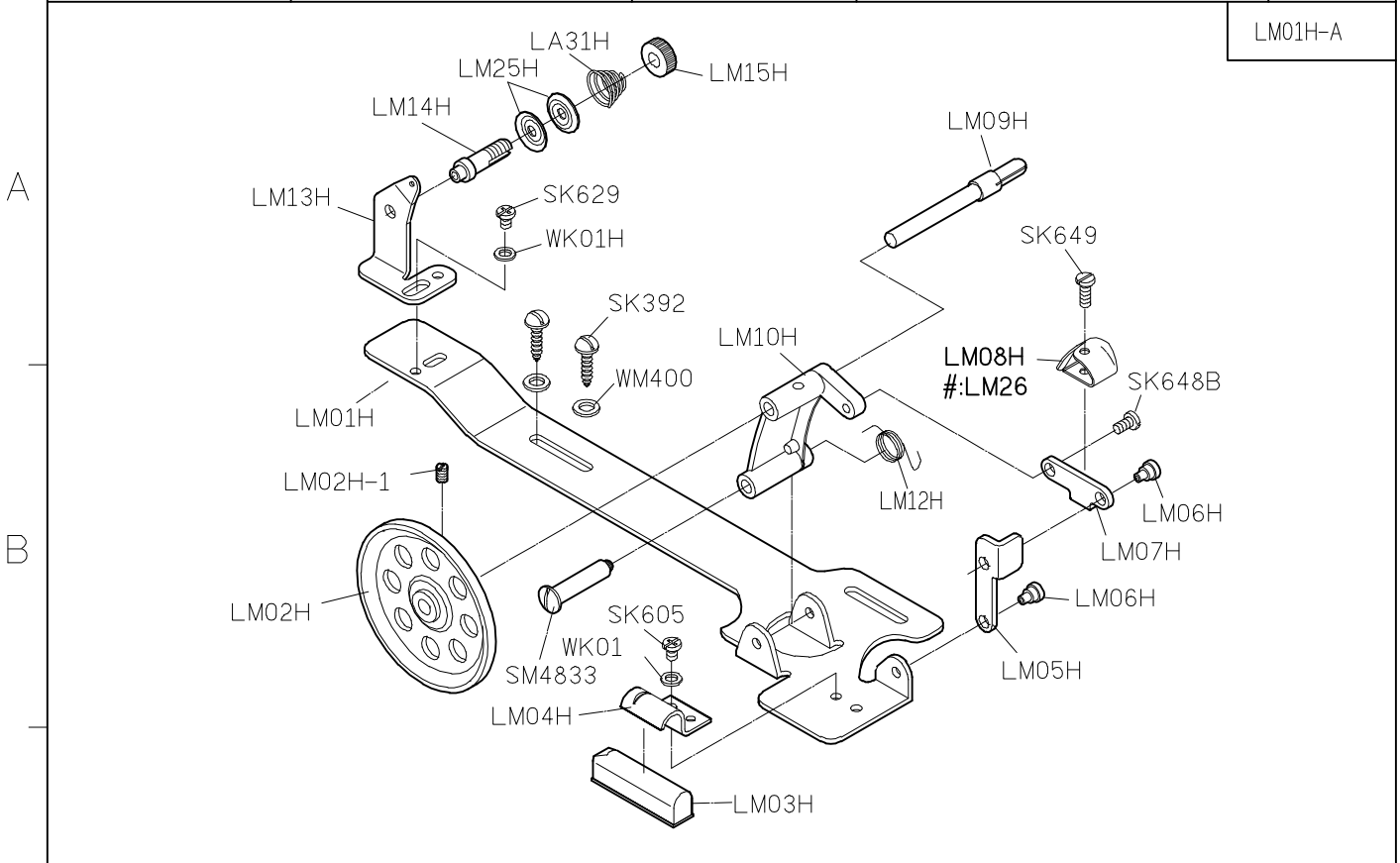
1/1

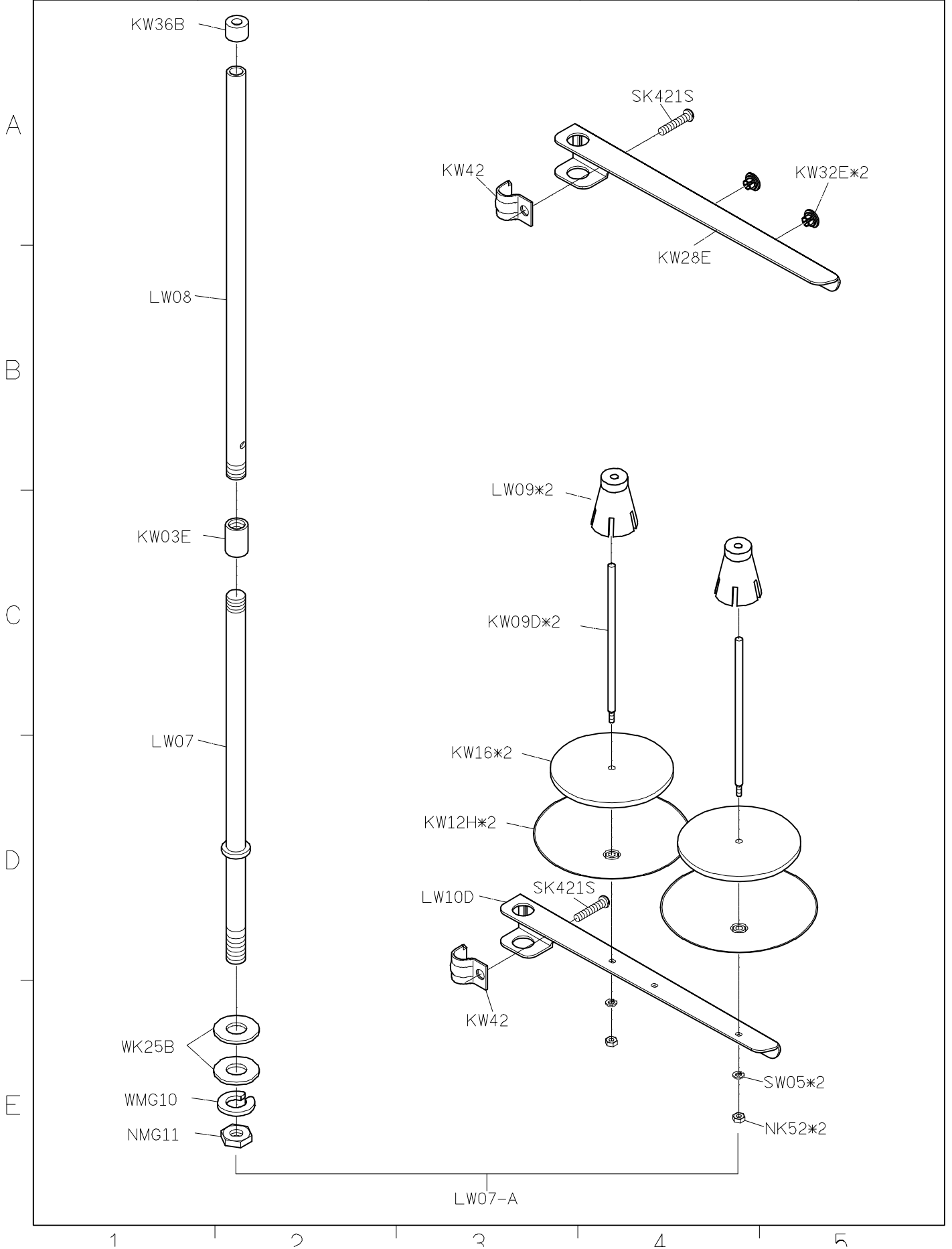
Date

2012/12/27

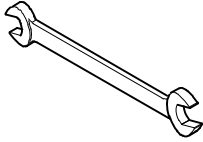

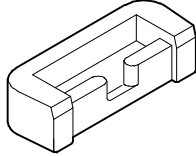
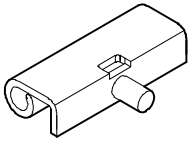
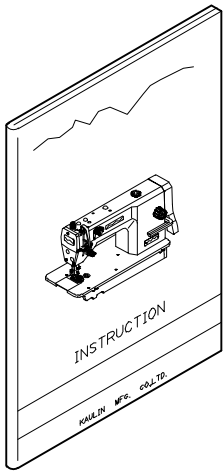
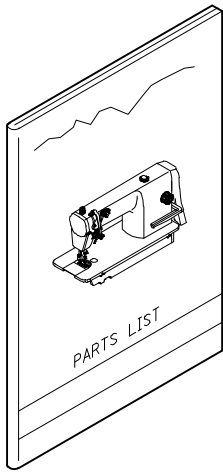
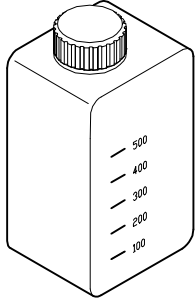

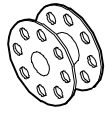
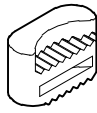

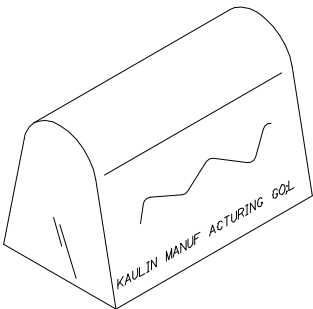
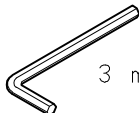
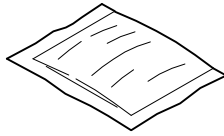
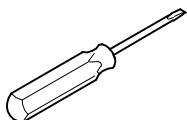
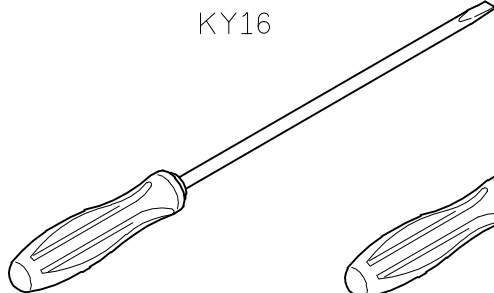
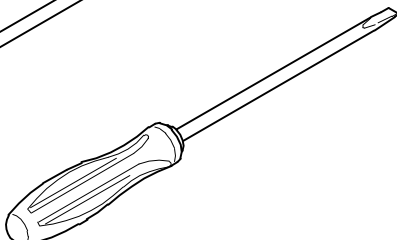
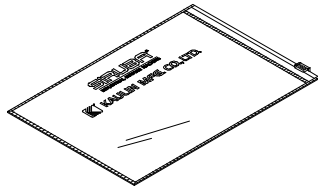


SIRUBA PARTS LIST	Series	Parts Group	Subclass / Remark	Page
	L819-X1/X2	LM	#:Use for X2	1/1
				Date
				2012/11/01

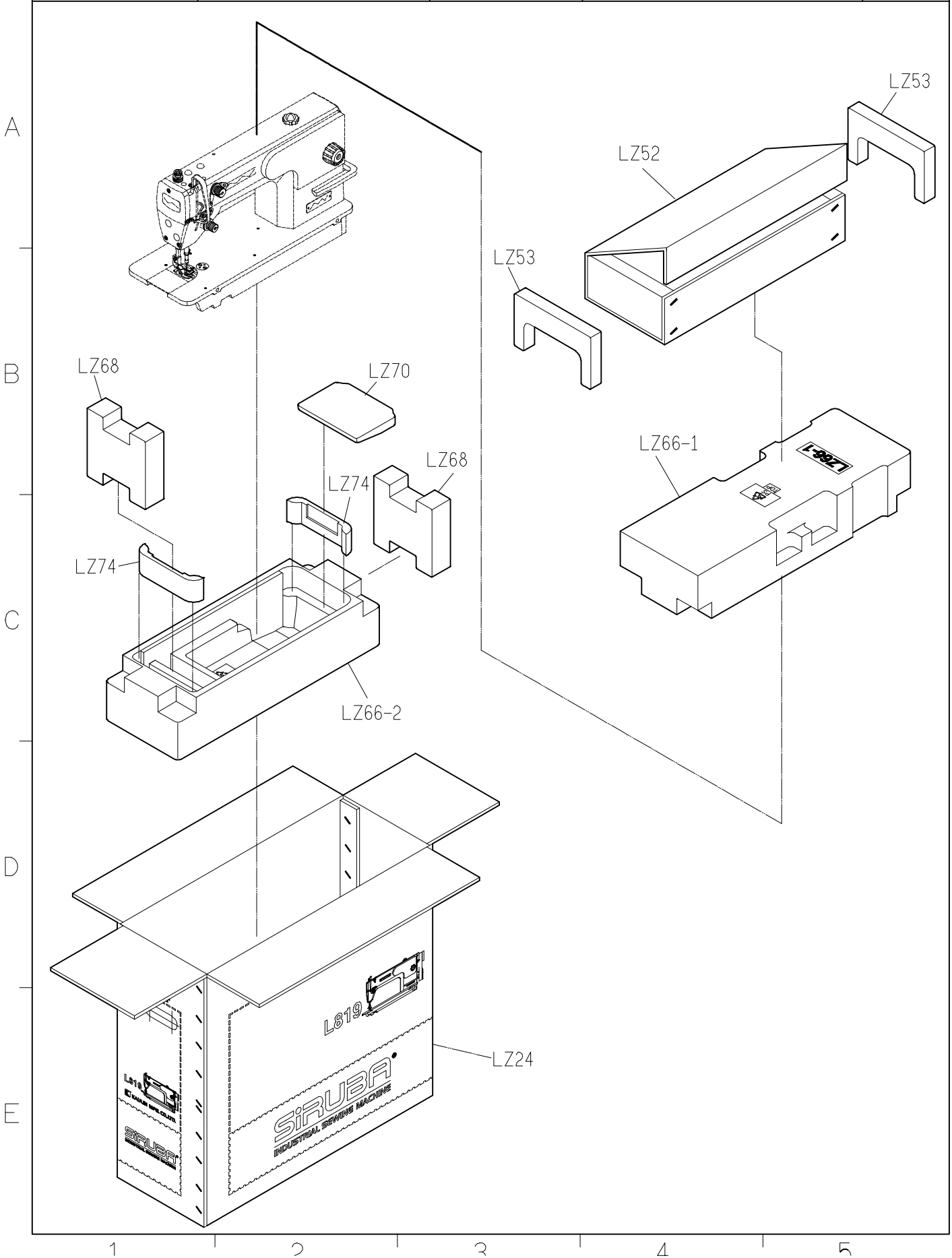




SIRUBA PARTS LIST	Series	Parts Group	Subclass / Remark	Page
	L819-X1/X2	LY		1/1
				Date
				2012/11/01

A B C D E	LY01	LY02	YM04*2	LY05*2
				
	LY10	LY13	LY37-A	YM102*2
				
			G3XX*2	YM103*2
				
	針*2	MY01	MY11	KZ03*1
				
	MY13	KY16	KY17	KY26F
				
	1	2	3	4
				5

SIRUBA PARTS LIST	Series	Parts Group	Subclass / Remark	Page
	L819-X1/X2	LZ		1/1
				Date
				2012/11/01



SIRUBA TABLE CUT - OUT	Series	Item Code	Subclass / Remark	Mounting
	L818D/L917 L918/L918U L819/L819U	L918-T1		Fully-submerged
				Date
				2013/01/01

