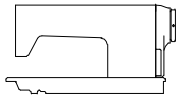
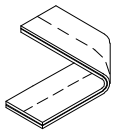
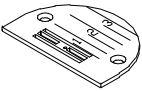
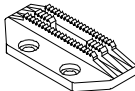
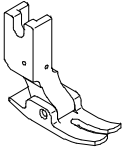
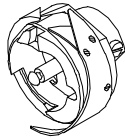
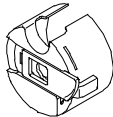


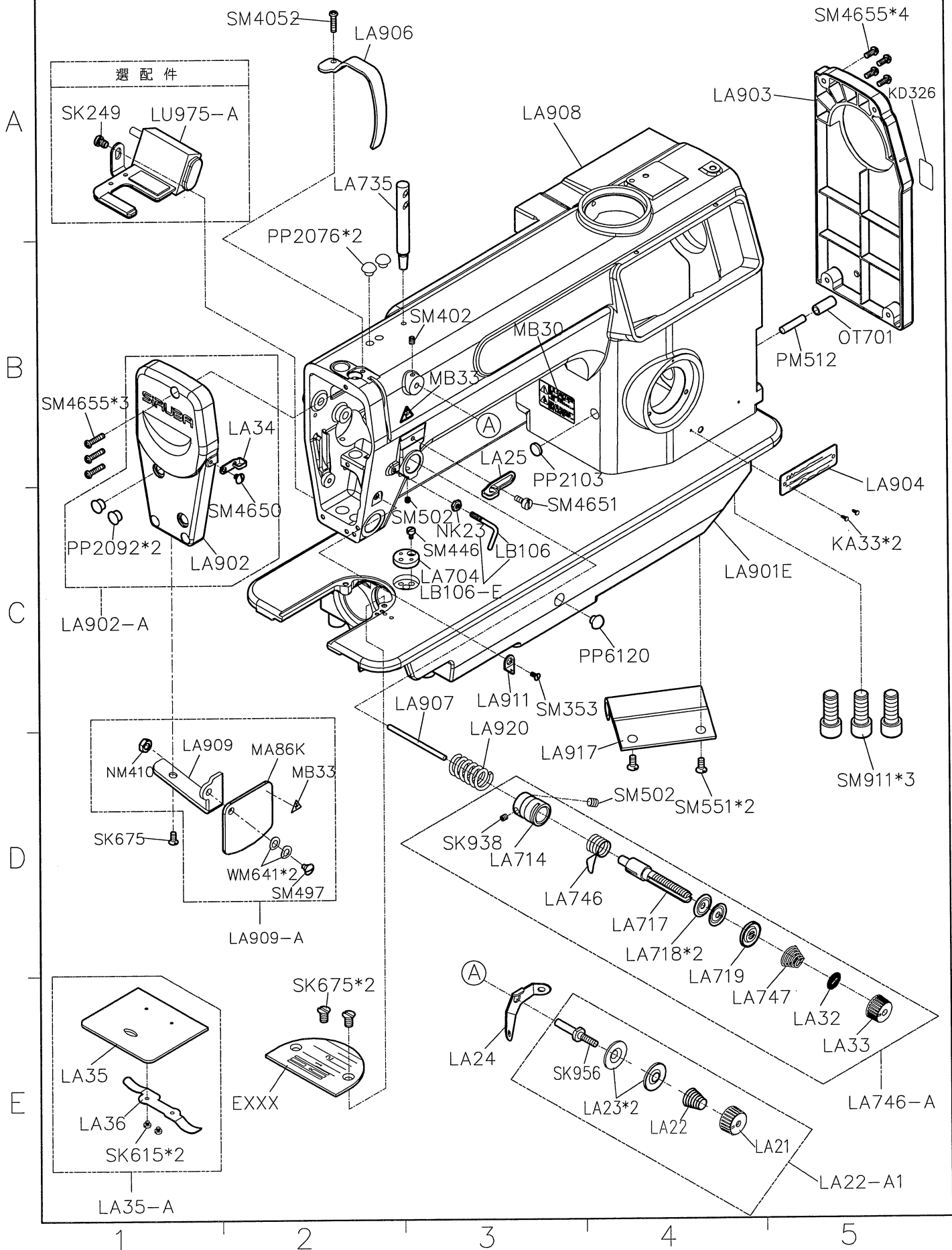


SIRUBA GAGE PARTS LIST	Series			Remark				Page	Date
	ML8000D							1 / 1	2014/04/22
									
MODEL	SUB-CLASS	NEEDLE PLATE	FEED DOG	PRESSER FOOT	HOOK ASM	BOBBIN CASE ASM	BOBBIN	NEEDLE	
機 型	規 格	針 板	送 具	押 具	梭 頭	梭 殼	梭 子	針 號	
ML8000D-AM1-11 ? ML8000D-AM1-13	中厚布料 至 厚布料	E806	D806	P701	G121	G202	G303	DB*1#14	
ML8000D-AM1A-11 ? ML8000D-AM1A-13		E806D	D806D						
ML8000D-AH1-11 ? ML8000D-AH1-13		E711	D711	P711	G124			DB*1#21	
ML8000D-AH1A-11 ? ML8000D-AH1A-13		E711D	D711D	P711D					

SIRUBA PARTS LIST	Series	Parts Group	Subclass / Remark	Page
	ML8000D	LA		1/2
				Date
				2016/04/28



LA727D-A

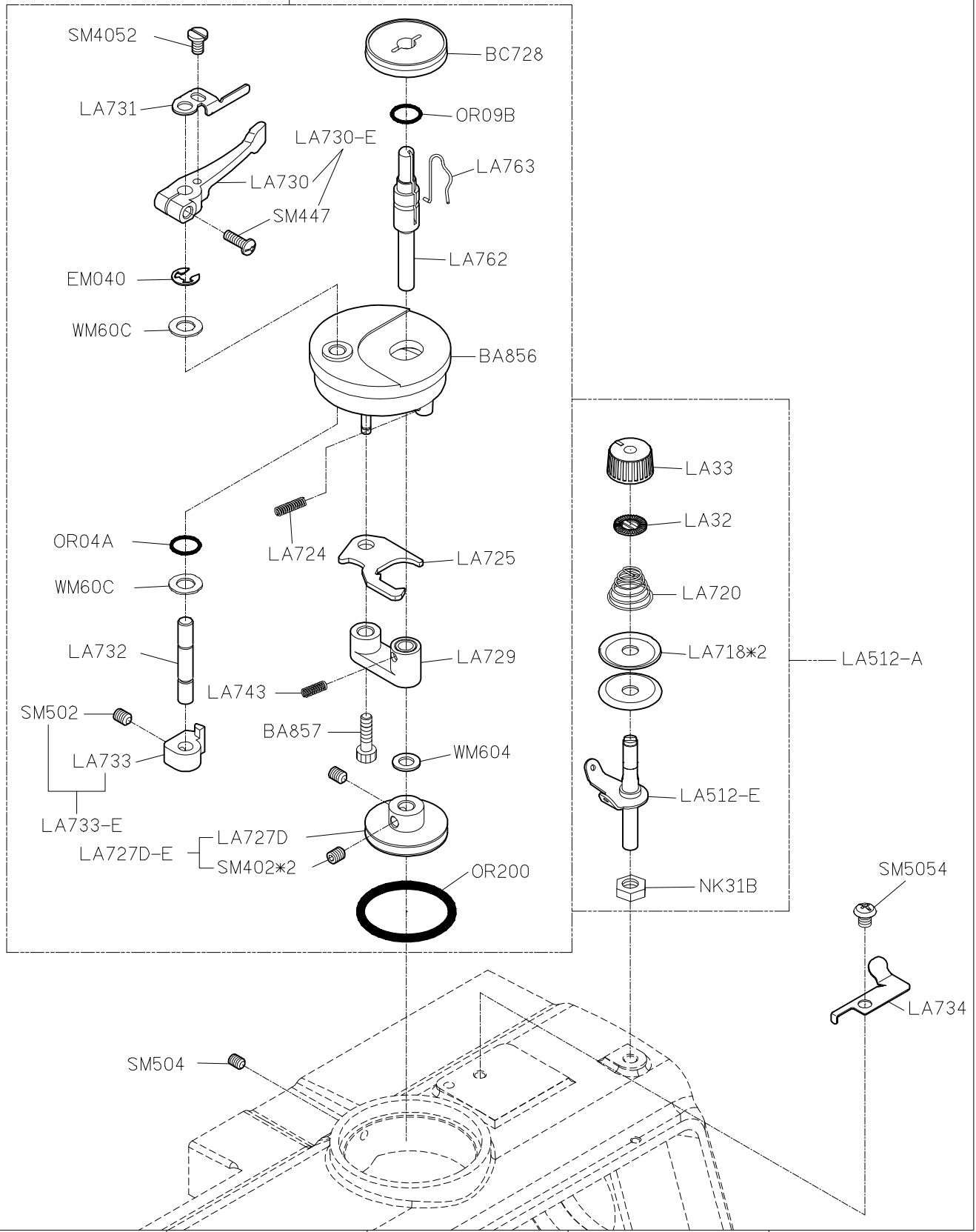
A

B

C

D

E



1

2

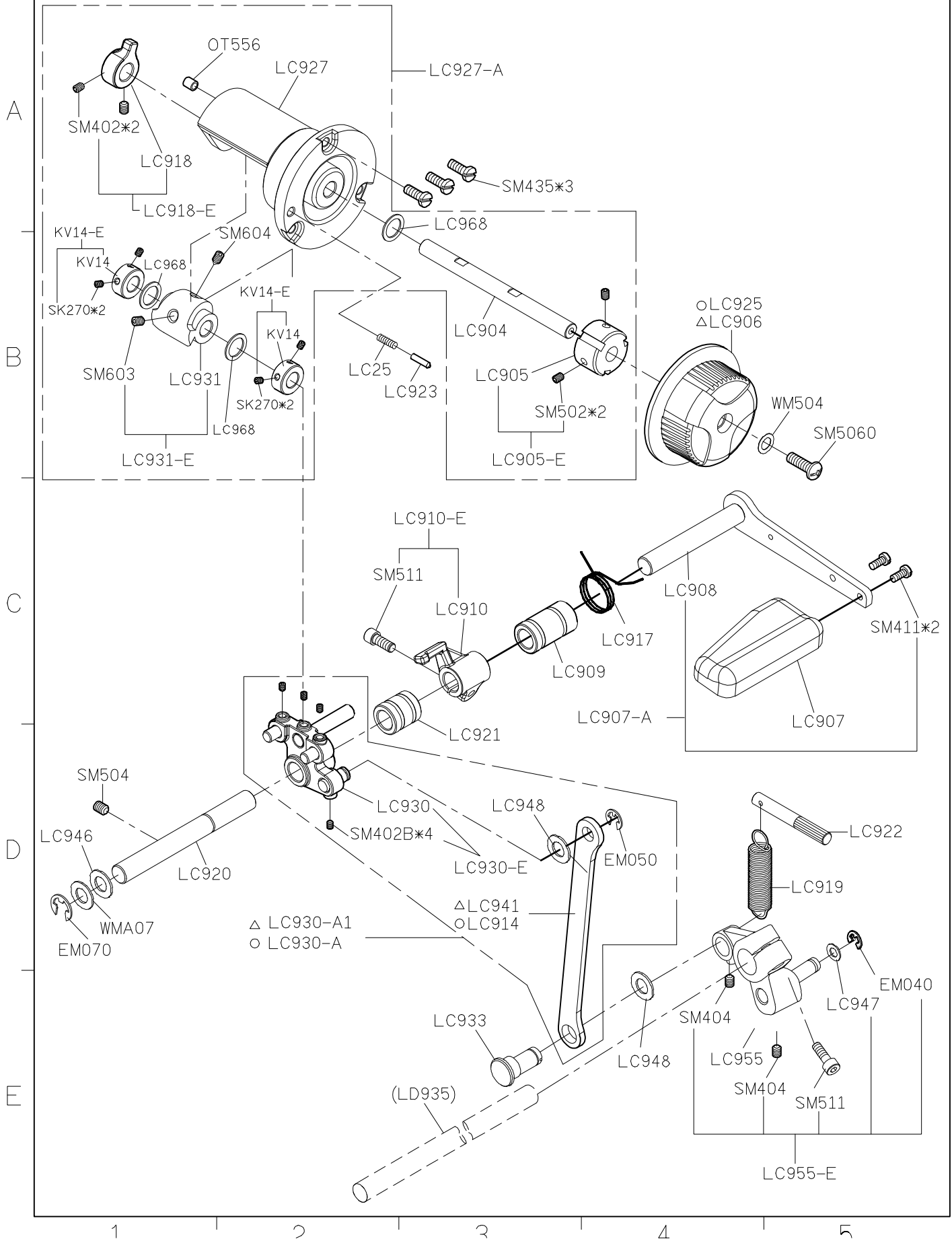
3

4

5

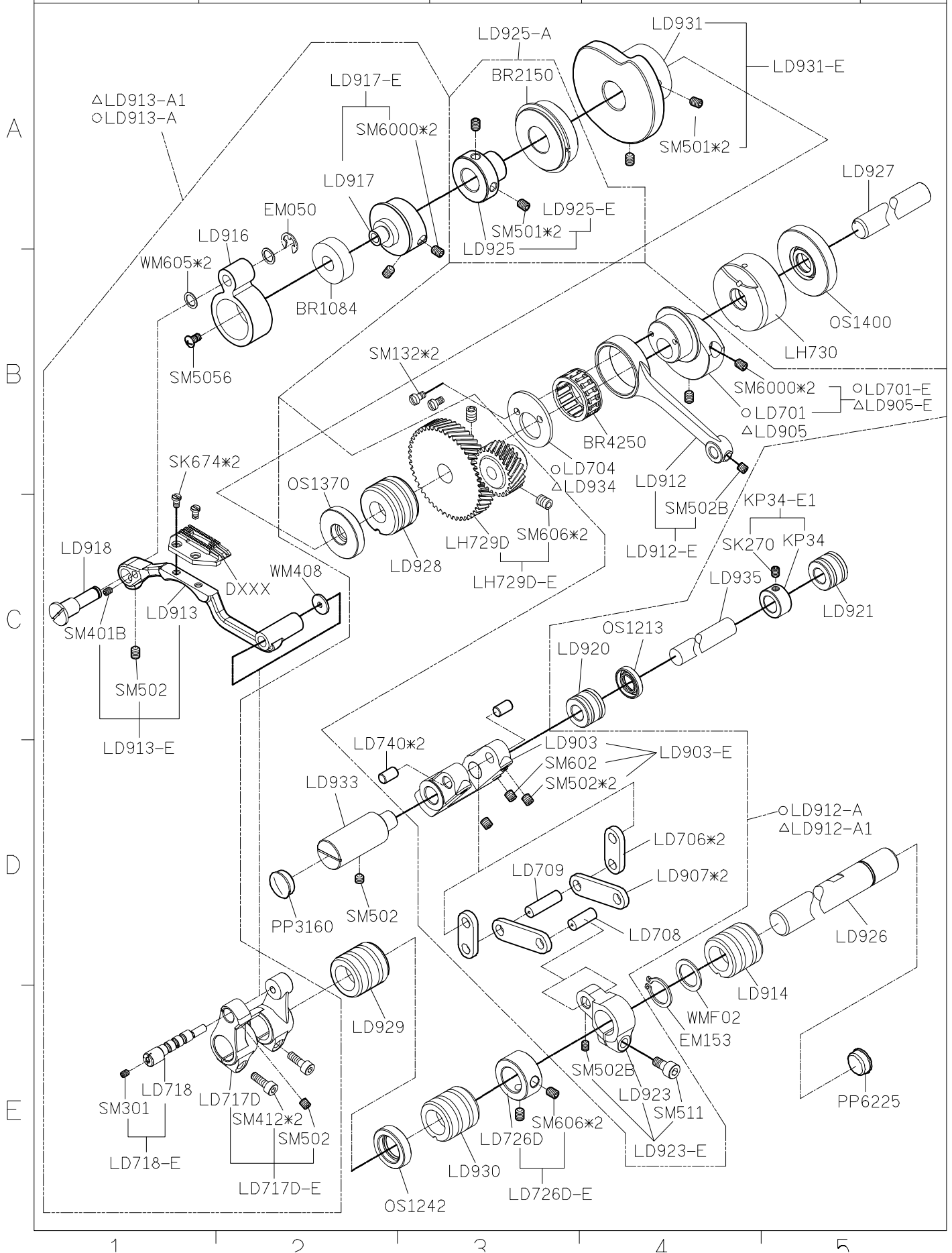
SIRUBA**PARTS LIST****Series****ML8000D****Parts Group****LC****Subclass / Remark**

△ For Heavy Model 厚料
(ML8000D-AHX-XX)
○ For Medium Model 中厚
(ML8000D-AMX-XX)

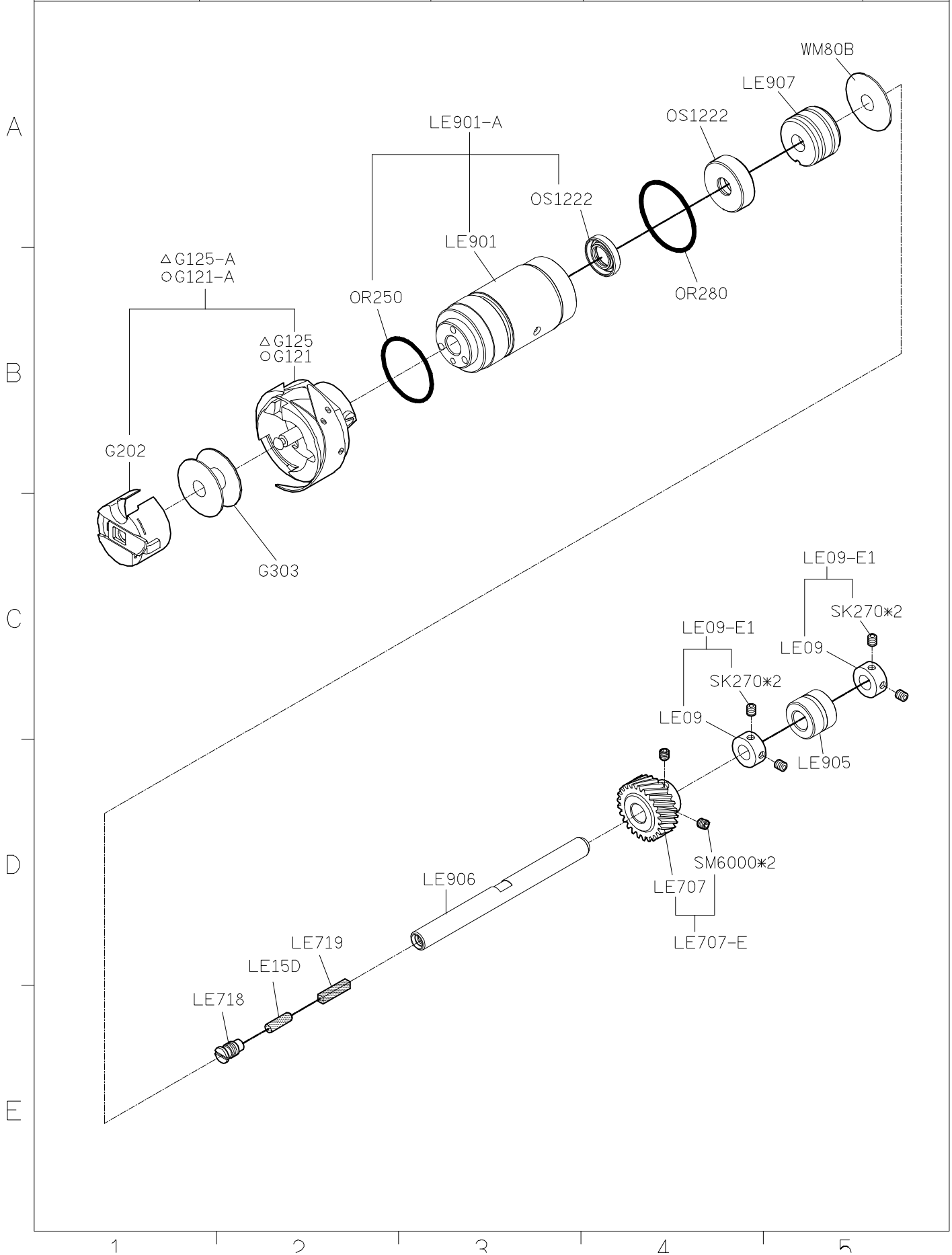
Page**1/1****Date****2014/03/12**

SIRUBA**PARTS LIST****Series****ML8000D****Parts Group****LD****Subclass / Remark**

△ For Heavy Model 厚料
(ML8000D-AHX-XX)
○ For Medium Model 中厚
(ML8000D-AMX-XX)

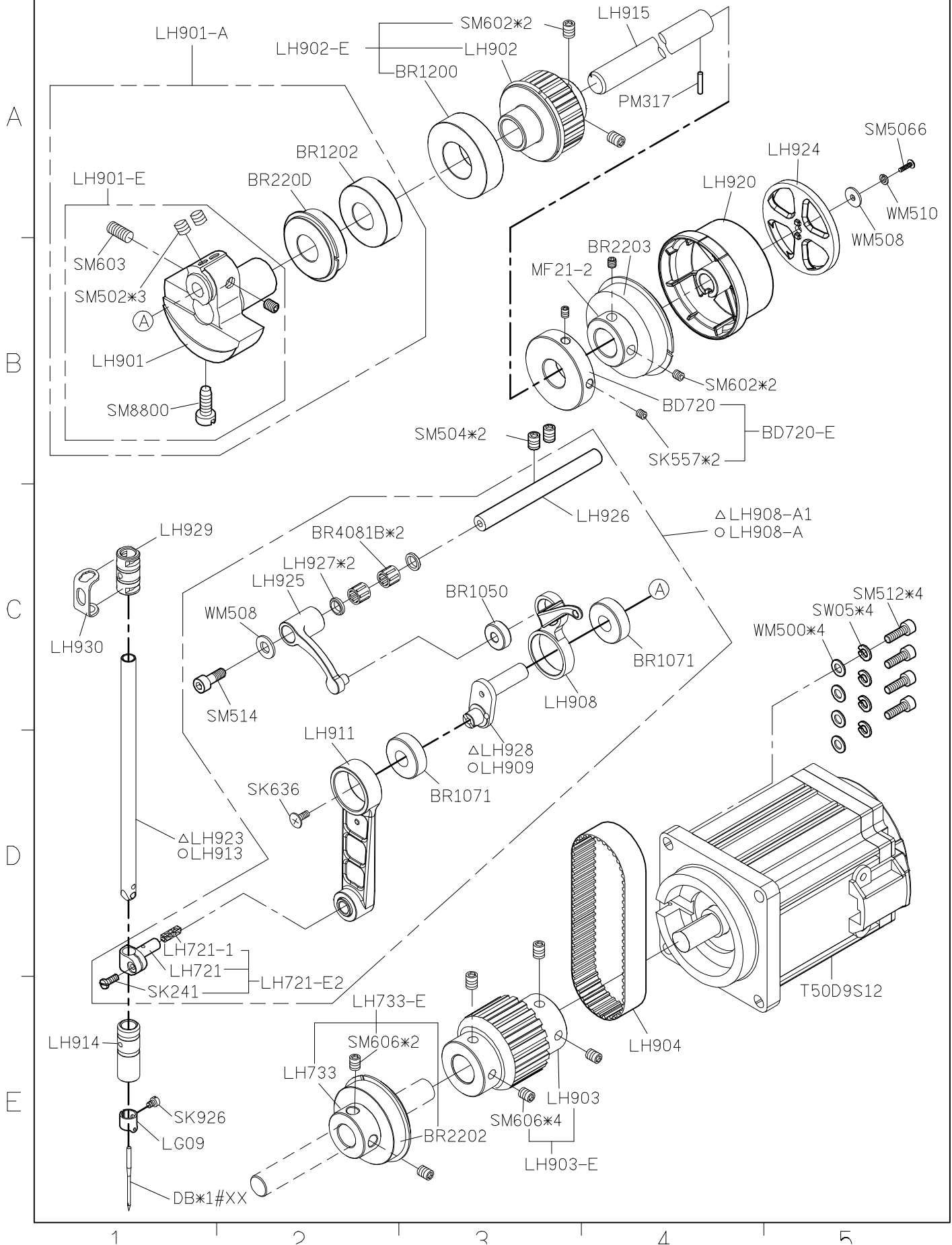
Page**1/1****Date****2013/09/16**

SIRUBA PARTS LIST	Series	Parts Group	Subclass / Remark	Page
	ML8000D	LE	△ For Heavy Model 厚料 (ML8000D-AHX-XX)	1/1
			○ For Medium Model 中厚 (ML8000D-AMX-XX)	Date
				2013/07/12



SIRUBA**PARTS LIST****Series****ML8000D****Parts Group****LH****Subclass / Remark**

△ For Heavy Model 厚料
(ML8000D-AHX-XX)
○ For Medium Model 中厚
(ML8000D-AMX-XX)

Page**1/1****Date****2013/10/30**

SIRUBA

PARTS LIST

Series

ML8000D

Parts Group

LL

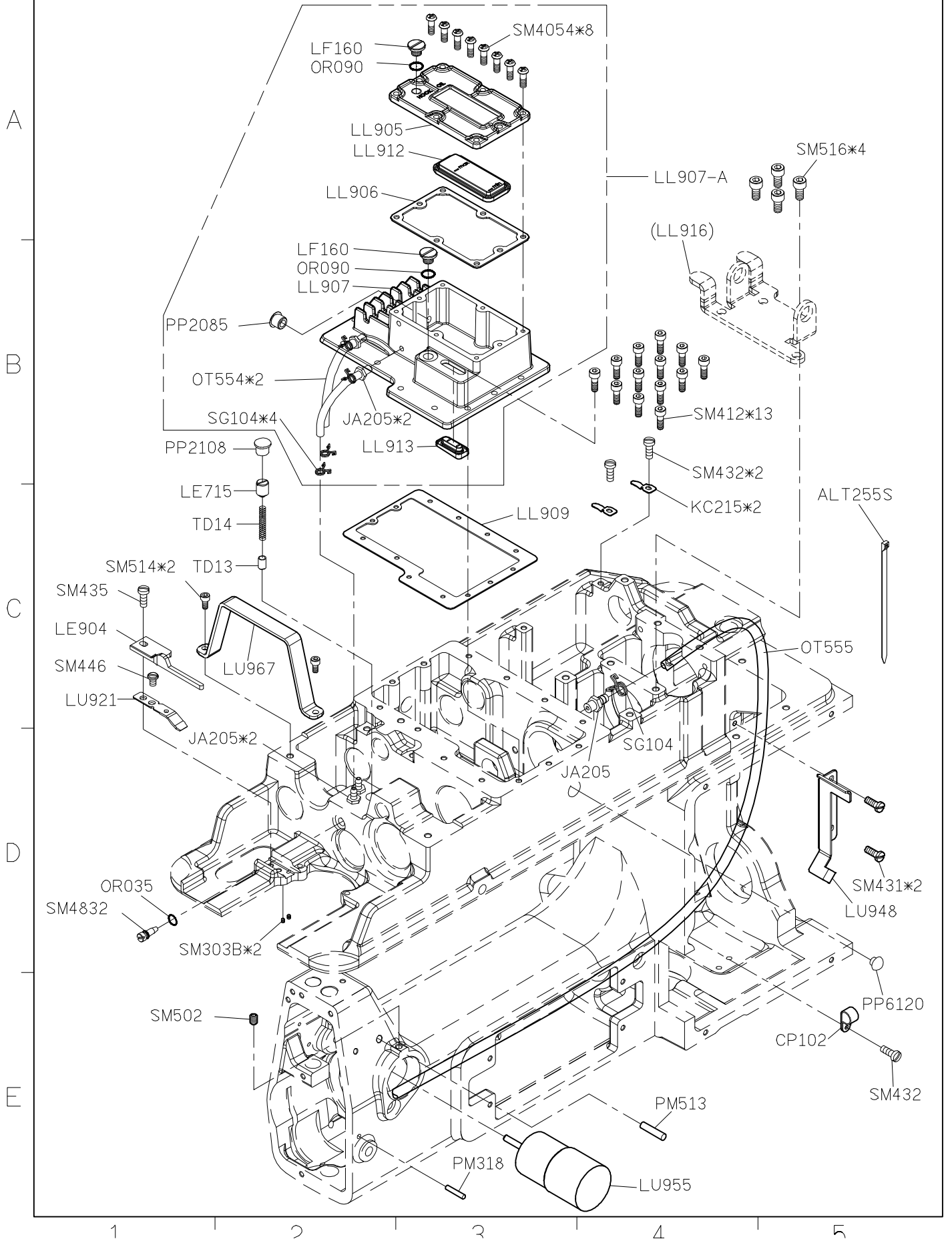
Subclass / Remark

Page

1/2

Date

2013/12/20



SIRUBA

PARTS LIST

Series

ML8000D

Parts Group

LL

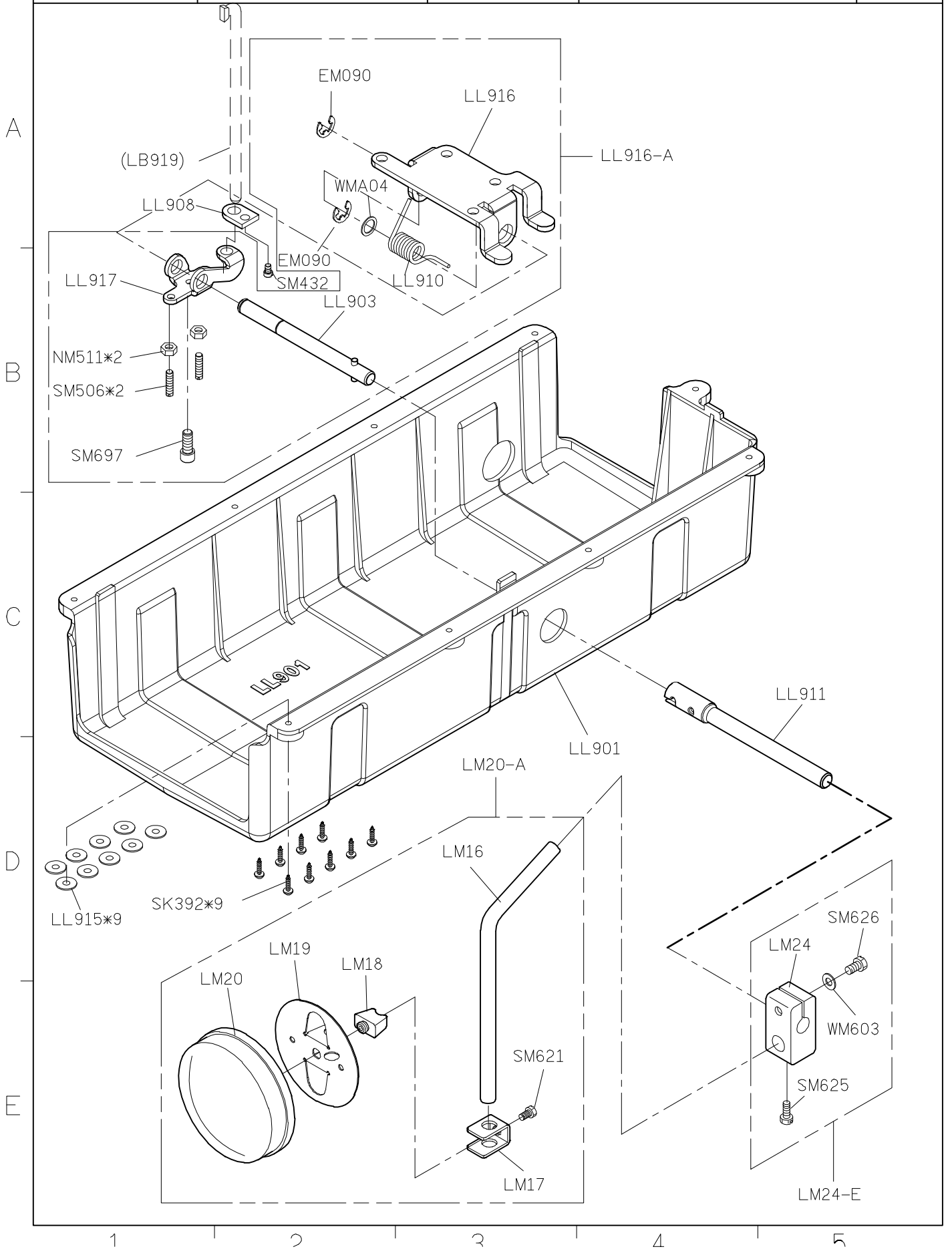
Subclass / Remark

Page

2/2

Date

2013/12/20



SIRUBA**PARTS LIST****Series****ML8000D****Parts Group****LU****Subclass / Remark**

△ For Heavy Model 厚料
(ML8000D-AHX-XX)
○ For Medium Model 中厚
(ML8000D-AMX-XX)

Page**1/2****Date****2015/06/02**

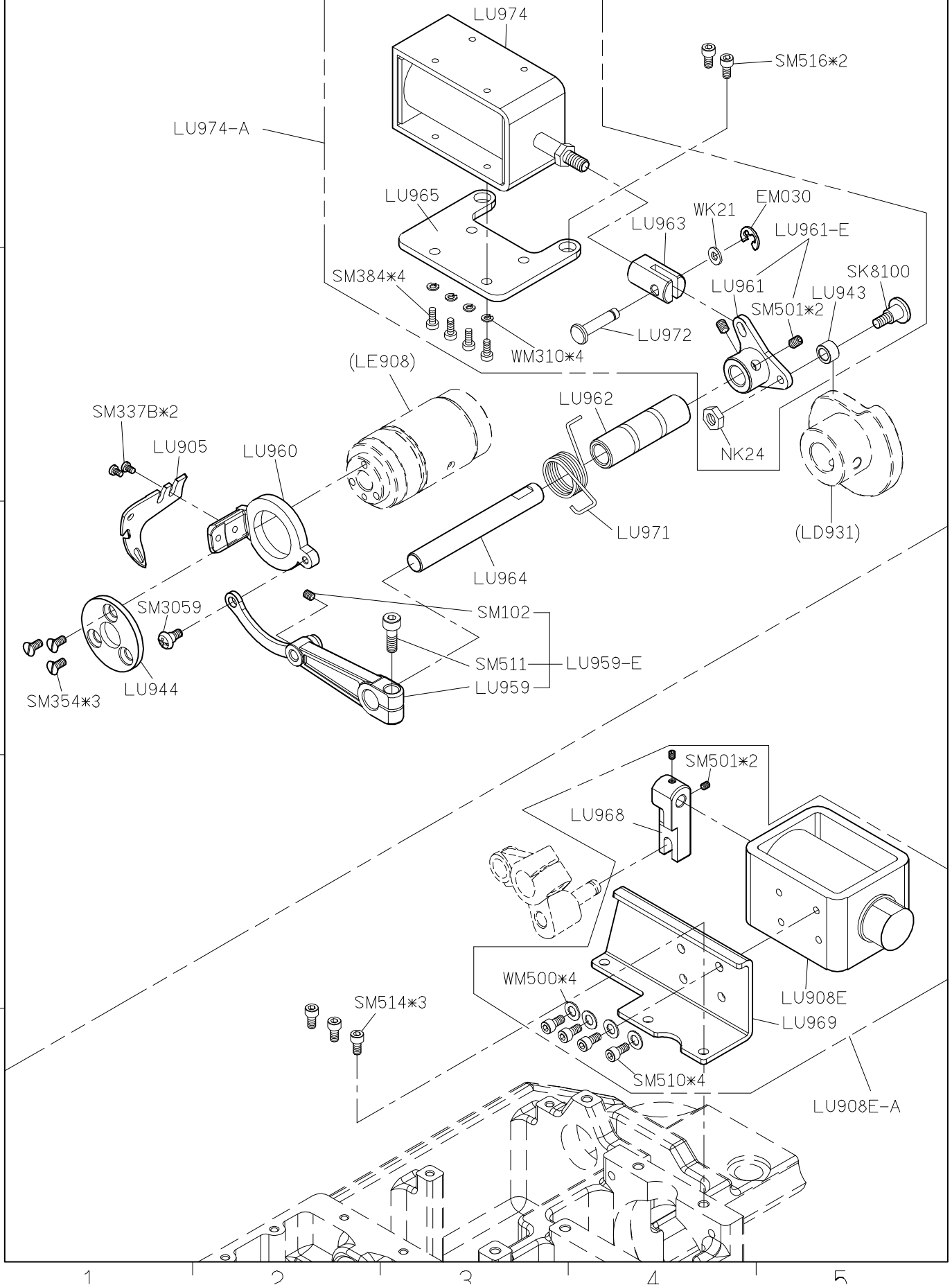
A

B

C

D

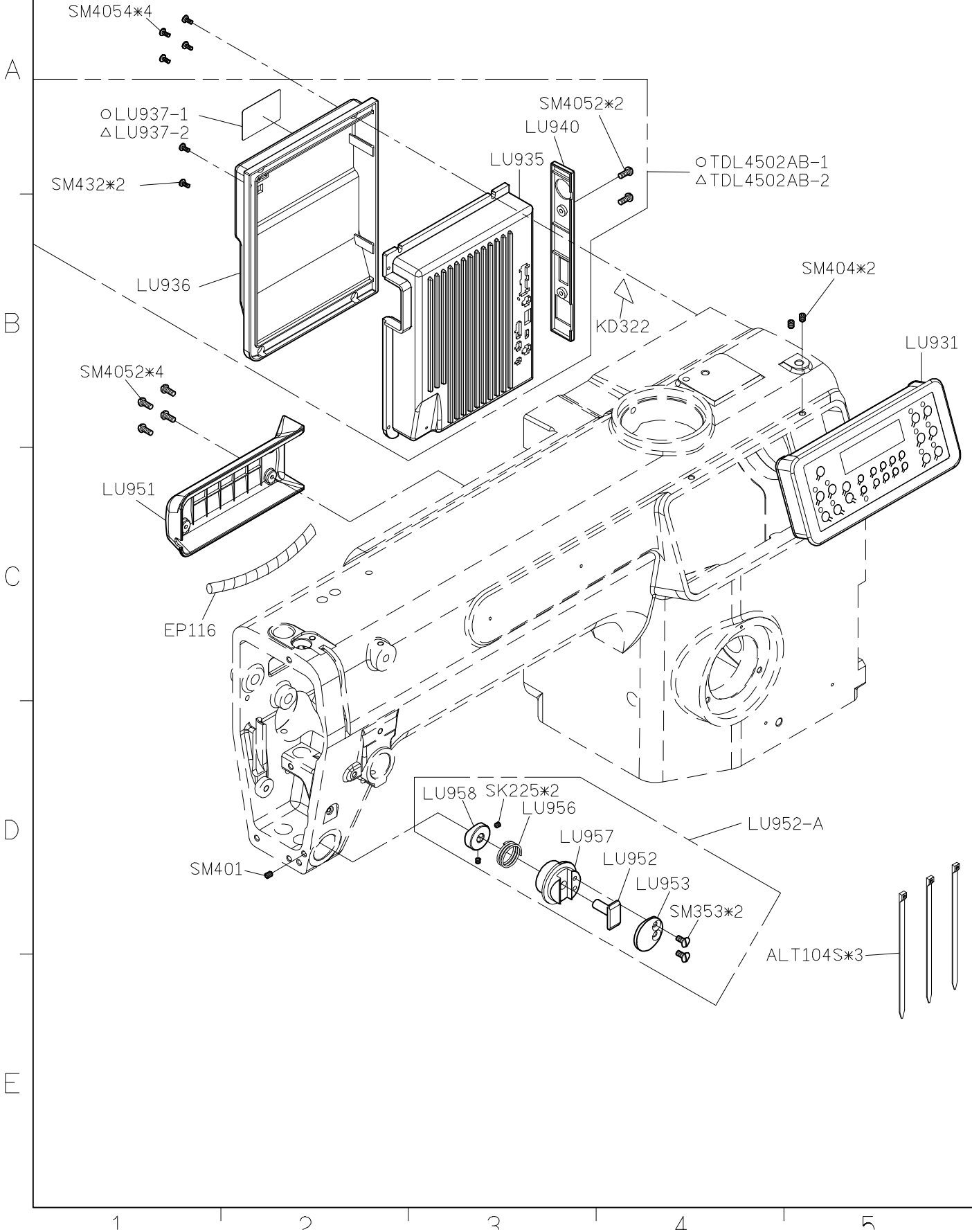
E



SIRUBA PARTS LIST	Series	Parts Group	Subclass / Remark	Page
	ML8000D	LU	△ For Heavy Model 厚料 (ML8000D-AHX-XX) ○ For Medium Model 中厚 (ML8000D-AMX-XX)	2/2
				Date 2013/07/25

○ TDL4502AB-1 +T50D9S11+CS101-A3+LU931+LU946+BQ27-A1+ANC08*2+FU202*3=
 △ TDL4502AB-2

○ TDL4502AB-A1
 △ TDL4502AB-A2



SIRUBA

PARTS LIST

Series

ML8000D

Parts Group

LW

Subclass / Remark

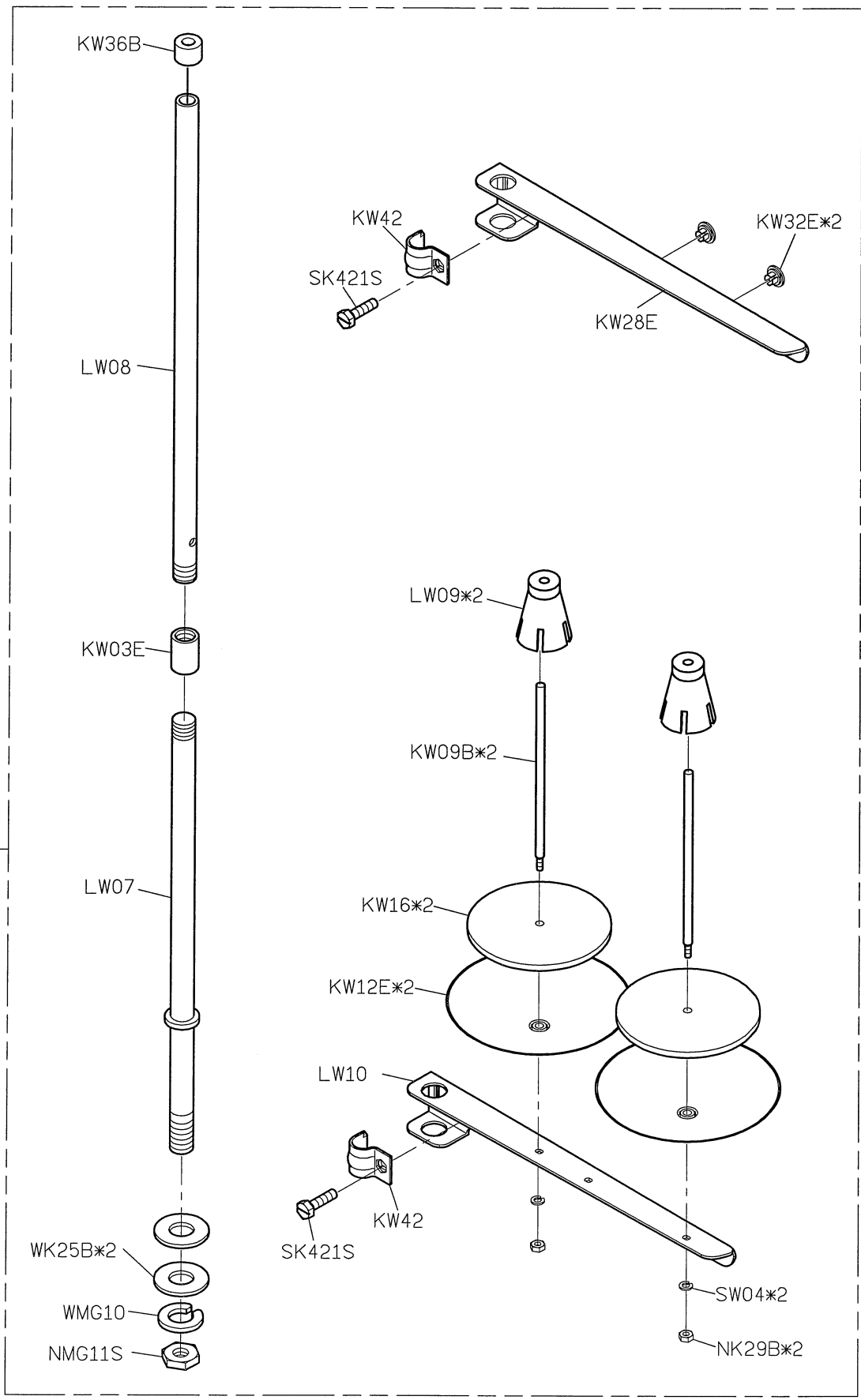
Page

1/1

Date

2016/05/20

A
B
C
D
E

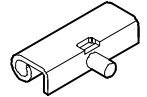
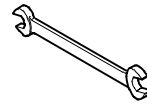
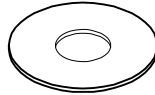
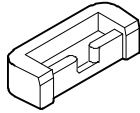
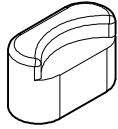


1 2 3 4 5

SIRUBA PARTS LIST	Series	Parts Group	Subclass / Remark	Page
	ML8000D	LY	△ For Heavy Model 厚料 (ML8000D-AHX-XX) ○ For Medium Model 中厚 (ML8000D-AMX-XX)	1/1
				Date
				2013/09/10

LY901 LY909*3 LY910*2 LY911 LY01 LY05

A



LY33-A

LY35

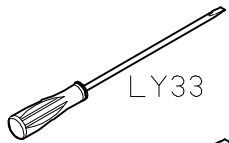
LY37-A(#10)

ANC08*2

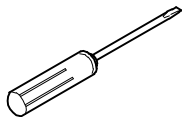
BS508-A

△ DB*1#21B-E(H)
○ DB*1#14B-E(M)

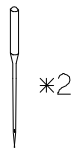
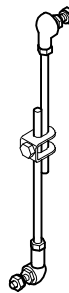
B



LY33



LY34



*2

FU202*3

G303*2

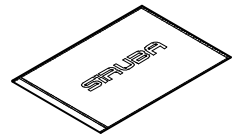
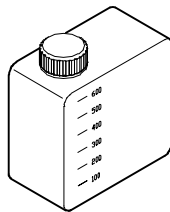
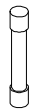
KY02F-A(#20)

KY03

KY04

KY201

C



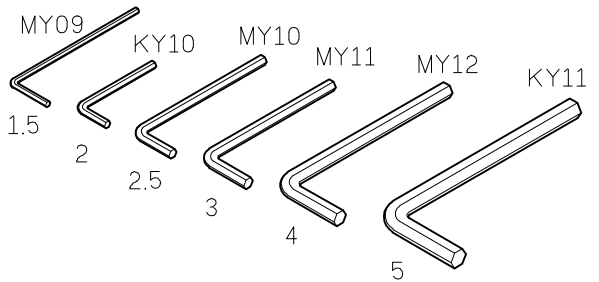
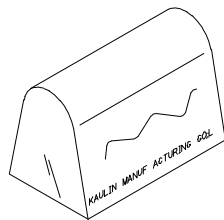
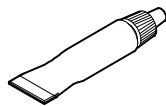
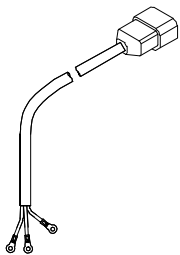
LU946

MHK80

MY01

MY10-A

D



E

1

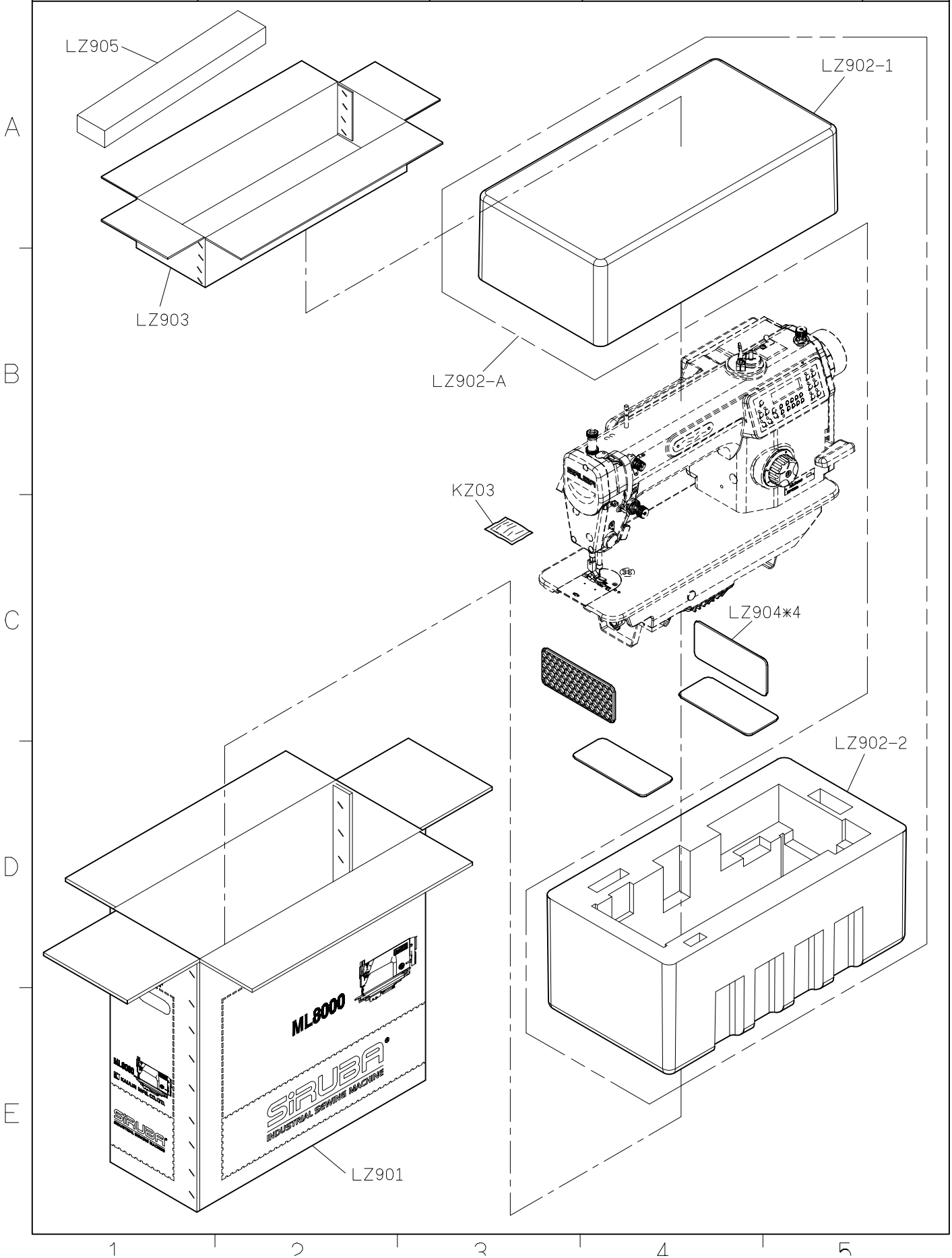
2

3

4

5

SIRUBA PARTS LIST	Series	Parts Group	Subclass / Remark	Page
	ML8000D	LZ		1/1
				Date
				2012/12/04



SIRUBA PARTS LIST	Series	Parts Group	Subclass / Remark	Page
	ML8000D	CS		1/1
				Date
				2013/08/14

