

LINESPOT II LOWBAY

LED EMERGENCY LIGHT FOR SURFACE MOUNTING IN 2-4 M HIGH AREAS, IN PARTICULAR FOR LIGHTING OF CORRIDORS



Direction of the light pattern



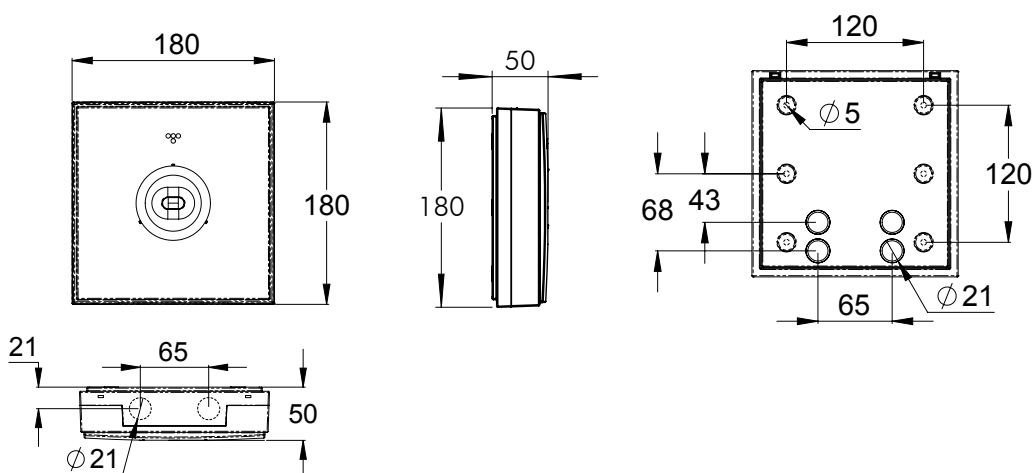
Installation video



Linespot II Lowbay is surface mounted emergency light for 2-4 meter high areas. Luminaire makes use of LED technology. Its optics is designed to give a long and narrow light pattern that illuminates corridors and escape routes efficiently.

Thanks to the IP44 enclosure class Linespot II is also suitable for damp locations. Linespot II is easy and fast to install thanks to a separate mounting base, which is also connected to the power supply.

DIMENSIONS



- ⊕ = Protection class of luminaire is 1
- ⊞ = Protection class of luminaire is 2
- ⊞ = Protection class of luminaire is 3
- ⊞ = Luminaire is suitable for through-wiring
- IP20 = Protection rating
- White = Colour of the body
- 3000 = Viewing distance
- LED = LED as a light source
- Aalto = Aalto Control compatible (incl. Lumi Test)
- M = Self-contained luminaire with Lumi test self-testing
- Escap = Self-contained luminaire with 1 h super capacitor backup
- C = Compatible with Tapsa Control Central Battery Unit and Local Controller
- III = compliant with the 850 glow wire test
- IC = Compatible with Intelligent Controller
- CBS = Centrally supplied

CENTRALLY SUPPLIED LUMINAIRES

24-230 V CENTRALLY SUPPLIED EMERGENCY LIGHTS

Product code	Nominal supply voltage	Max input power	Luminous flux (lm)	Operation mode	Temperature range	Electrical installation	Weight (kg)
TWT9971W	24-230 V, 50/60 Hz AC,DC	24 V= 8 VA / 5 W 230 V= 10 VA / 5 W	170	CBS	-30...+50°C	24 V= 2 x 2,5 mm ² 230 V= 3 x 2,5 mm ² -o-	III ⊞
Y9971W	(individually packed incl. TWT9971W)						
							0,6

ADDRESSABLE 230 V CENTRALLY SUPPLIED EMERGENCY LIGHTS

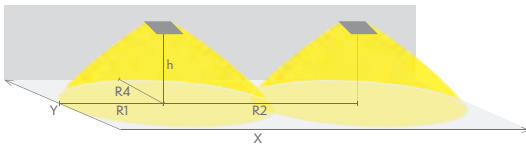


Product code	Nominal supply voltage	Max input power	Luminous flux (lm)	Operation mode	Temperature range	Electrical installation	Weight (kg)
TWT9951WK	220-240 V, 50/60 Hz AC,DC	10 VA / 5,5 W	170	CBS/ C + IC	-30...+50°C	2/3 x 2,5 mm ² -o-	⊞
Y9951WK	(individually packed incl. TWT9951WK)						
							0,6

LIGHT DISTRIBUTION TABLES

Emergency lighting for escape routes (ceiling mounting)

Table of 1 lux for escape routes in the middle line according to the norm EN 1838.
Level of measurement 0,02 m, measurement result with battery operation.



R1 distance from wall (X axis) | R2 installation distance between lights (X axis) | R4 distance from wall (Y axis)

TWT9971W, TWT9951WK

Mounting height (m)	Below the light (lux)	R1 (m)	R2 (m)	R4 (m)
		1 lux	1 lux	1 lux
2,5	6,4	8	19,5	1
4	2,5	9	24	1

LINESPOT II LOWBAY



SELF-CONTAINED LUMINAIRES WITH SUPER CAPACITOR

SELF-CONTAINED EMERGENCY LIGHTS WITH SUPER CAPACITOR AND WIRELESS CENTRAL MONITORING



Product code	Nominal supply voltage	Max input power	Luminous flux (lm)	Operation mode	Temperature range	Electrical installation	Weight (kg)
TWS9992WA	220-240 V, 50/60 Hz AC	3 VA during boost charge 2 VA during trickle charge	60	1 h Escap + Aalto	-25... +35°C	2/3 x 2,5 mm ² -0-	0,9
Y9992WA	(individually packed incl. TWS9992WA)						
							1,0

SELF-CONTAINED EMERGENCY LIGHTS WITH SUPER CAPACITOR AND SELF-TESTING

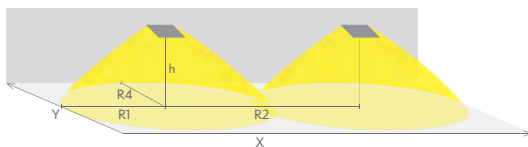


Product code	Nominal supply voltage	Max input power	Luminous flux (lm)	Operation mode	Temperature range	Electrical installation	Weight (kg)
TWS9992WM	220-240 V, 50/60 Hz AC	3 VA during boost charge 2 VA during trickle charge	60	1 h Escap + M	-25... +35°C	2/3 x 2,5 mm ² -0-	0,9
Y9992WM	(individually packed incl. TWS9992WM)						
							1,0

LIGHT DISTRIBUTION TABLES

Emergency lighting for escape routes (ceiling mounting)

| Table of 1 lux for escape routes in the middle line according to the norm EN 1838.
| Level of measurement 0,02 m, measurement result with battery operation.



| R1 distance from wall (X axis)
| R2 installation distance between lights (X axis) | R4 distance from wall (Y axis)

TWS9992WA, TWS9992WM

Mounting height (m)	Below the light (lux)	R1 (m)	R2 (m)	R4 (m)
		1 lux	1 lux	1 lux
2,5	2,5	7	15	1
3	1,5	8	17	1

- ⊕ = Protection class of luminaire is 1
- ⊕ = Protection class of luminaire is 2
- ⊕ = Protection class of luminaire is 3
- ⊕ = Luminaire is suitable for through-wiring
- IP20 = Protection rating
- White = Colour of the body
- 2000 = Viewing distance
- LED = LED as a light source
- Aalto = Aalto Control compatible (incl. Lumi Test)
- M = Self-contained luminaire with Lumi test self-testing
- Escap = Self-contained luminaire with 1 h super capacitor backup
- C = Compatible with Tapsa Control Central Battery Unit and Local Controller
- 850 = compliant with the 850 glow wire test
- IC = Compatible with Intelligent Controller
- CBS = Centrally supplied

SELF-CONTAINED LUMINAIRES WITH BATTERY

SELF-CONTAINED EMERGENCY LIGHTS WITH 1 H BATTERY AND WIRELESS CENTRAL MONITORING



Product code	Nominal supply voltage	Max input power	Luminous flux (lm)	Operation mode	Temperature range	Electrical installation	Weight (kg)
TWT9952WA	220-240 V, 50/60 Hz AC	3 VA during boost charge 2 VA during trickle charge	170	1 h battery + Aalto	0... +35°C	2/3 x 2,5 mm ² -o-	0,7
Y9952WA	(individually packed incl. TWT9952WA)						0,8

SELF-CONTAINED EMERGENCY LIGHTS WITH 3 H BATTERY AND WIRELESS CENTRAL MONITORING

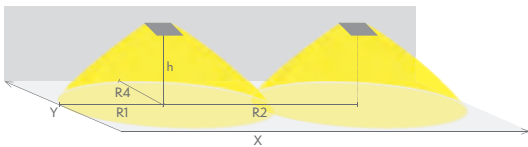


Product code	Nominal supply voltage	Max input power	Luminous flux (lm)	Operation mode	Temperature range	Electrical installation	Weight (kg)
TWT9953WA	220-240 V, 50/60 Hz AC	6 VA during boost charge 5,5 VA during trickle charge	170	3 h battery + Aalto	0... +35°C	2/3 x 2,5 mm ² -o-	0,9
Y9953WA	(individually packed incl. TWT9953WA)						1,0

LIGHT DISTRIBUTION TABLES

Emergency lighting for escape routes (ceiling mounting)

- | Table of 1 lux for escape routes in the middle line according to the norm EN 1838.
- | Level of measurement 0,02 m, measurement result with battery operation.



- | R1 distance from wall (X axis)
- | R2 installation distance between lights (X axis)
- | R4 distance from wall (Y axis)

TWT9952WA, TWT9953WA

Mounting height (m)	Below the light (lux)	R1 (m)	R2 (m)	R4 (m)
		1 lux	1 lux	1 lux
2,5	6,4	8	19,5	1
4	2,5	9	24	1

LINESPOT II LOWBAY



SELF-CONTAINED LUMINAIRES WITH BATTERY

SELF-CONTAINED EMERGENCY LIGHTS WITH 1 H BATTERY AND SELF-TESTING



Product code	Nominal supply voltage	Max input power	Luminous flux (lm)	Operation mode	Temperature range	Electrical installation	Weight (kg)
TWT9952WM	220-240 V, 50/60 Hz AC	3 VA during boost charge 2 VA during trickle charge	170	1 h battery + M	0... +35°C	2/3 x 2,5 mm ² -0-	0,7
Y9952WM	(individually packed incl. TWT9952WM)						0,8

SELF-CONTAINED EMERGENCY LIGHTS WITH 3 H BATTERY AND SELF-TESTING

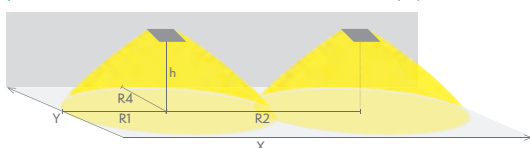


Product code	Nominal supply voltage	Max input power	Luminous flux (lm)	Operation mode	Temperature range	Electrical installation	Weight (kg)
TWT9953WM	220-240 V, 50/60 Hz AC	6 VA during boost charge 5,5 VA during trickle charge	170	3 h battery + M	0... +35°C	2/3 x 2,5 mm ² -0-	0,9
Y9953WM	(individually packed incl. TWT9953WM)						1,0

LIGHT DISTRIBUTION TABLES

Emergency lighting for escape routes (ceiling mounting)

Table of 1 lux for escape routes in the middle line according to the norm EN 1838.
Level of measurement 0,02 m, measurement result with battery operation.



R1 distance from wall (X axis) | R2 installation distance between lights (X axis) | R4 distance from wall (Y axis)

TWT9952WM, TWT9953WM

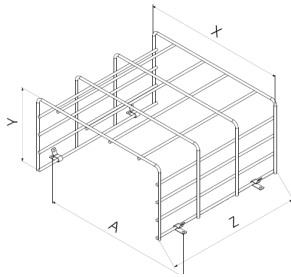
Mounting height (m)	Below the light (lux)	R1 (m)	R2 (m)	R4 (m)
		1 lux	1 lux	1 lux
2,5	6,4	8	19,5	1
4	2,5	9	24	1

- ⊕ = Protection class of luminaire is 1
- ⊞ = Protection class of luminaire is 2
- ⊞ = Protection class of luminaire is 3
- ⊞ = Luminaire is suitable for through-wiring
- IP20 = Protection rating
- White = Colour of the body
- 5000 = Viewing distance
- LED = LED as a light source
- Aalto = Aalto Control compatible (incl. Lumi Test)
- M = Self-contained luminaire with Lumi test self-testing
- Escap = Self-contained luminaire with 1 h super capacitor backup
- C = Compatible with Tapsa Control Central Battery Unit and Local Controller
- 850 = compliant with the 850 glow wire test
- IC = Compatible with Intelligent Controller
- CBS = Centrally supplied

ACCESSORIES

Product code	Product description
TW77504F	Suspension bracket
TW77507B	Shock protecting cover (dimensions: X=320, Y=165, Z=305, A=340)

SHOCK PROTECTING COVER
TW77507B



SUSPENSION BRACKET
TW77504F

