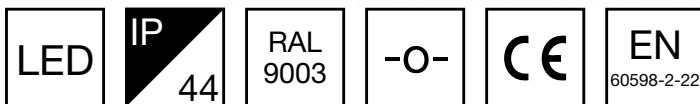


LINESPOT II: LOWBAY, SURFACE-MOUNTED EMERGENCY LIGHTS



Linespot II Lowbay is surface mounted emergency light for 2-4 meter high areas. Luminaire makes use of LED technology. Its optics is designed to give a long and

We reserve the rights to make modifications without notice.

Copyright © 2021 Teknoware. All rights reserved.

Date: February 18, 2021 | Source:

www.teknoware.com/en/emergency-lighting/emergency-lights/emergency-light-product-families/linespot-ii-lowbay-surface-mounted-emergency-lights



Teknoware Oy | P.O. Box 19, 15101 Lahti | Ilmarisentie 8, 15200 Lahti Finland

Tel +358 3 883 020 | VAT-number FI01494751 | teknoware.com | emexit@teknoware.com

narrow light pattern that illuminates corridors and escape routes efficiently.

Thanks to the IP44 enclosure class Linespot II is also suitable for damp locations. Linespot II is easy and fast to install thanks to a separate mounting base, which is also connected to the power supply.

The product codes starting with letter Y include an individually packed luminaire. The product codes starting with TW include the luminaire only.

SELF-CONTAINED ESCAP EMERGENCY LIGHTS WITH SUPER CAPACITOR AND SELF-TESTING

Product Code	Nominal Supply Voltage	Feature	Backup (h)	Form
TWS9992WM	220-240 V, 50/60 Hz AC	Escap, Lumi Test	1	
Y9992WM	220-240 V, 50/60 Hz AC	Escap, Lumi Test	1	

SELF-CONTAINED ESCAP EMERGENCY LIGHTS WITH SUPER CAPACITOR AND WIRELESS CENTRAL MONITORING

Product Code	Nominal Supply Voltage	Feature	Backup (h)
TWS9992WA	220-240 V, 50/60 Hz AC	Aalto Control, Escap, Lumi Test	1
Y9992WA	220-240 V, 50/60 Hz AC	Aalto Control, Escap, Lumi Test	1

SELF-CONTAINED EMERGENCY LIGHTS WITH BATTERY AND SELF-TESTING

Product Code	Nominal Supply Voltage	Feature	Backup (h)
TWT9953WM	220-240 V, 50/60 Hz AC	Lumi Test	3
Y9953WM	220-240 V, 50/60 Hz AC	Lumi Test	3
TWT9952WM	220-240 V, 50/60 Hz AC	Lumi Test	1
Y9952WM	220-240 V, 50/60 Hz AC	Lumi Test	1

SELF-CONTAINED EMERGENCY LIGHTS WITH BATTERY AND WIRELESS CENTRAL MONITORING

Product Code	Nominal Supply Voltage	Feature	Backup (h)
TWT9953WA	220-240 V, 50/60 Hz AC	Aalto Control, Lumi Test	3
Y9953WA	220-240 V, 50/60 Hz AC	Aalto Control, Lumi Test	3
TWT9952WA	220-240 V, 50/60 Hz AC	Aalto Control, Lumi Test	1

We reserve the rights to make modifications without notice.

Copyright © 2021 Teknoware. All rights reserved.

Date: February 18, 2021 | Source:

www.teknoware.com/en/emergency-lighting/emergency-lights/emergency-light-product-families/linespot-ii-lowbay-surface-mounted-emergency-lights



Product Code	Nominal Supply Voltage	Feature	Backup (h)
Y9952WA	220-240 V, 50/60 Hz AC	Aalto Control, Lumi Test	1

ADDRESSABLE 230 V CENTRALLY SUPPLIED EMERGENCY LIGHTS

Product Code	Nominal Supply Voltage	Feature
Y9951WK	220-240 V, 50/60 Hz AC, DC	Intelligent Controller, Tapsa Control
TWT9951WK	220-240 V, 50/60 Hz AC, DC	Intelligent Controller, Tapsa Control

NON-ADDRESSABLE 230 V CENTRALLY SUPPLIED EMERGENCY LIGHTS

Product Code	Nominal Supply Voltage	Feature
TWT9971W	24-230 V, 50/60 Hz AC, DC	
Y9971W	24-230 V, 50/60 Hz AC, DC	

ADDRESSABLE 24 V CENTRALLY SUPPLIED EMERGENCY LIGHTS

Product Code	Nominal Supply Voltage	Feature
TWT9941WK	24 V, 50/60 Hz AC, DC	Tapsa Control
Y9941WK	24 V, 50/60 Hz AC, DC	Tapsa Control

We reserve the rights to make modifications without notice.

Copyright © 2021 Teknoware. All rights reserved.

Date: February 18, 2021 | Source:

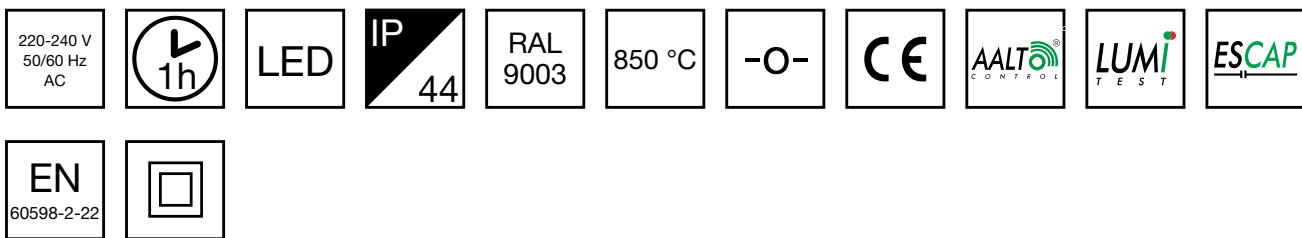
www.teknoware.com/en/emergency-lighting/emergency-lights/emergency-light-product-families/linespot-ii-lowbay-surface-mounted-emergency-lights



Teknoware Oy | P.O. Box 19, 15101 Lahti | Ilmarisentie 8, 15200 Lahti Finland

Tel +358 3 883 020 | VAT-number FI01494751 | teknoware.com | emexit@teknoware.com

LINESPOT II LOWBAY LED EMERGENCY LIGHT TWS9992WA



Self-contained ESCAP Emergency Light with 1 h Super Capacitor and Wireless Central Monitoring

Linespot II Lowbay is surface mounted emergency light for 2-4 meter high areas. Luminaire makes use of LED technology. Its optics is designed to give a long and narrow light pattern that illuminates corridors and escape routes efficiently.

Thanks to the IP44 enclosure class Linespot II is also suitable for damp locations. Linespot II is easy and fast to install thanks to a separate mounting base, which is also connected to the power supply.

We reserve the rights to make modifications without notice.
Copyright © 2021 Teknoware. All rights reserved.
Date: February 18, 2021 | Source:
www.teknoware.com/en/emergency-lighting/linespot-ii-lowbay-led-emergency-light-tws9992wa



Teknoware Oy | P.O. Box 19, 15101 Lahti | Ilmarisentie 8, 15200 Lahti Finland
Tel +358 3 883 020 | VAT-number FI01494751 | teknoware.com | emexit@teknoware.com

INDIVIDUALLY PACKED LIGHTS

The product codes starting with letter Y include an individually packed luminaire. The product codes starting with TW include the luminaire only.

Product Code	IP Class	Luminous Flux (lm)
Y9992WA	IP44	60

Product Code	TWS9992WA
Feature	Aalto Control, Escap, Lumi Test
Mounting (standard)	surface
Mounting (optional)	pendel
Customs Code	94056080
GTIN Code	6438045019000
ETIM Product Class	EC001957
Length	180 mm
Width	180 mm
Height	50 mm
Weight	0,9 kg
Backup	1 h
Max Input Power VA	3 VA
Nominal Supply Voltage	220-240 V, 50/60 Hz AC
Protection Class	II
IP Class	IP44
Temperature Range Min - Max	-25...+35 °C
Glow Wire Test of Plastic Materials	850 °C
Light Source	LED
Body Material	plastic

We reserve the rights to make modifications without notice.

Copyright © 2021 Teknoware. All rights reserved.

Date: February 18, 2021 | Source:

www.teknoware.com/en/emergency-lighting/linespot-ii-lowbay-led-emergency-light-tws9992wa

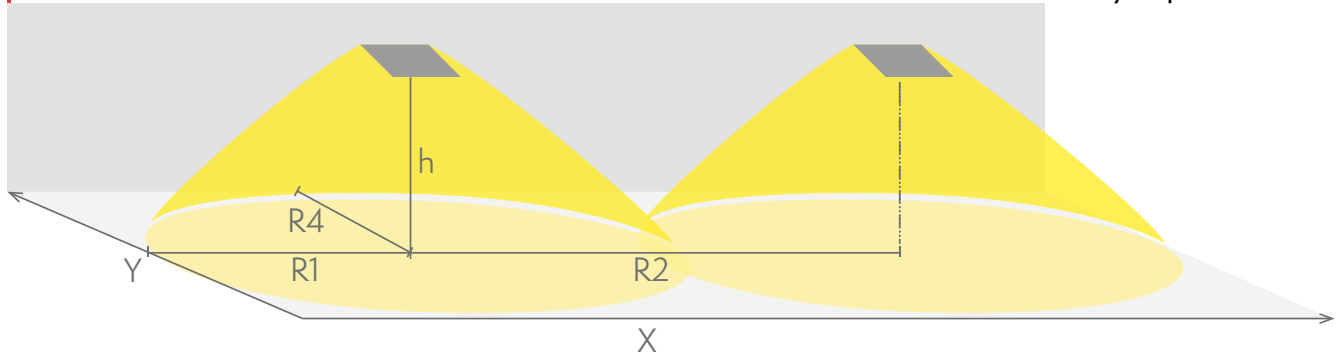


Colour	RAL9003
Electrical Installation	2/3 x 2,5 mm ²
Luminous Flux	60 lm

Emergency lighting for escape routes (ceiling mounting)

Table of 1 lux for escape routes in the middle line according to the norm EN 1838.

Level of measurement 0,02 m, measurement result with battery operation.



R1 distance from wall (X axis)

R2 installation distance between lights (X axis)

R4 distance from wall (Y axis)

TWS9992WA

Mounting height (m)	Below the light lux	R1 (m)	R2 (m)	R4 (m)
		1 lux	1 lux	1 lux
2,5	2,5	7	15	1
3	1,5	8	17	1

OPTIONAL ACCESSORIES:

SHOCK PROTECTING COVERS FOR EMERGENCY LIGHTS



Product Code	Product Name	Compatible Product Groups
TW77507B	Shock protecting cover TW77507B	ESC 10 Emergency Exit Lights, ESC 80 Emergency Exit Lights

We reserve the rights to make modifications without notice.

Copyright © 2021 Teknoware. All rights reserved.

Date: February 18, 2021 | Source:

www.teknoware.com/en/emergency-lighting/linespot-ii-lowbay-led-emergency-light-tws999

2wa



Teknoware Oy | P.O. Box 19, 15101 Lahti | Ilmarisentie 8, 15200 Lahti Finland

Tel +358 3 883 020 | VAT-number FI01494751 | teknoware.com | emexit@teknoware.com

OPTIONAL MOUNTING ACCESSORIES FOR EMERGENCY LIGHTS

Product Code	Product Name	Compatible Product Groups
TW77504F	Suspension bracket TW77504F	Linespot II: Lowbay, Surface-Mounted Emergency Lights, Zonespot II: Lowbay, Surface-Mounted Emergency Lights, Zonespot II: Midbay, Surface-Mounted Emergency Lights, Linespot II: Midbay, Surface-Mounted Emergency Lights, Zonespot II: Highbay, Surface-Mounted Emergency Lights

We reserve the rights to make modifications without notice.

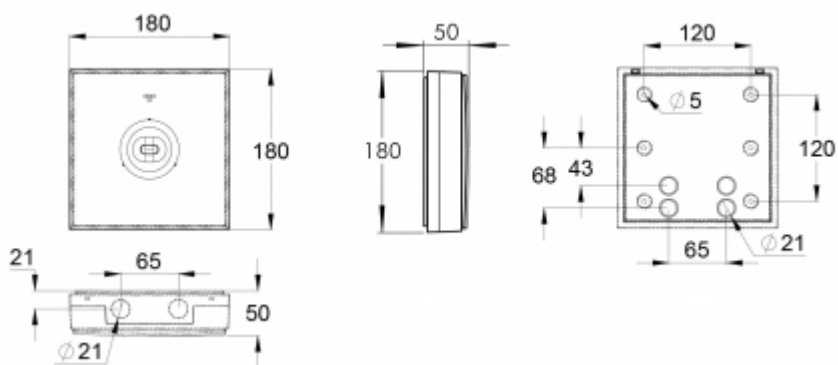
Copyright © 2021 Teknoware. All rights reserved.

Date: February 18, 2021 | Source:

www.teknoware.com/en/emergency-lighting/linespot-ii-lowbay-led-emergency-light-tws9992wa



Teknoware Oy | P.O. Box 19, 15101 Lahti | Ilmarisentie 8, 15200 Lahti Finland
Tel +358 3 883 020 | VAT-number FI01494751 | teknoware.com | emexit@teknoware.com



We reserve the rights to make modifications without notice.

Copyright © 2021 Teknoware. All rights reserved.

Date: February 18, 2021 | Source:

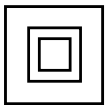
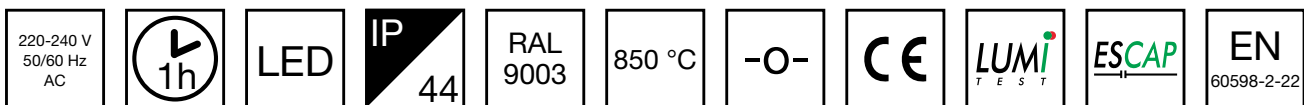
www.teknoware.com/en/emergency-lighting/linespot-ii-lowbay-led-emergency-light-tws999-2wa



Teknoware Oy | P.O. Box 19, 15101 Lahti | Ilmarisentie 8, 15200 Lahti Finland

Tel +358 3 883 020 | VAT-number FI01494751 | teknoware.com | emexit@teknoware.com

LINESPOT II LOWBAY LED EMERGENCY LIGHT TWS9992WM



Self-contained ESCAP Emergency Light with 1 h Super Capacitor and Lumi Test Self-testing

Linespot II Lowbay is surface mounted emergency light for 2-4 meter high areas. Luminaire makes use of LED technology. Its optics is designed to give a long and narrow light pattern that illuminates corridors and escape routes efficiently.

Thanks to the IP44 enclosure class Linespot II is also suitable for damp locations. Linespot II is easy and fast to install thanks to a separate mounting base, which is also connected to the power supply.

INDIVIDUALLY PACKED LIGHTS

The product codes starting with letter Y include an individually packed luminaire. The product codes starting with TW include the luminaire only.

Product Code	IP Class	Luminous Flux (lm)
Y9992WM	IP44	60

Product Code	TWS9992WM
Feature	Escap, Lumi Test
Mounting (standard)	surface
Mounting (optional)	pendel
Customs Code	94056080
GTIN Code	6438045019017
ETIM Product Class	EC001957
Length	180 mm
Width	180 mm
Height	50 mm
Weight	0,9 kg
Backup	1 h
Max Input Power VA	3 VA
Nominal Supply Voltage	220-240 V, 50/60 Hz AC
Protection Class	II
IP Class	IP44
Temperature Range Min - Max	-25...+35 °C
Glow Wire Test of Plastic Materials	850 °C
Light Source	LED
Body Material	plastic

We reserve the rights to make modifications without notice.

Copyright © 2021 Teknoware. All rights reserved.

Date: February 18, 2021 | Source:

www.teknoware.com/en/emergency-lighting/linespot-ii-lowbay-led-emergency-light-tws9992wm

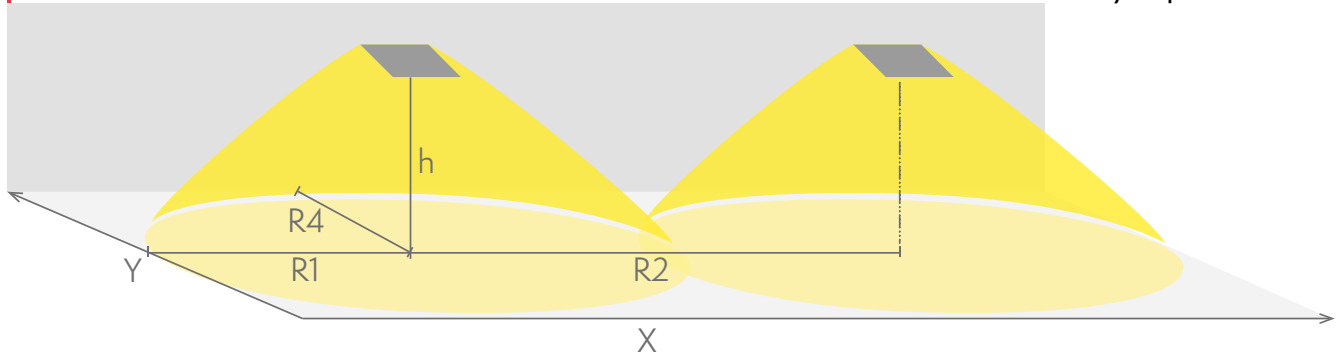


Colour	RAL9003
Electrical Installation	2/3 x 2,5 mm ²
Luminous Flux	60 lm

Emergency lighting for escape routes (ceiling mounting)

Table of 1 lux for escape routes in the middle line according to the norm EN 1838.

Level of measurement 0,02 m, measurement result with battery operation.



R1 distance from wall (X axis)

R2 installation distance between lights (X axis)

R4 distance from wall (Y axis)

TWS9992WM

Mounting height (m)	Below the light lux	R1 (m)	R2 (m)	R4 (m)
		1 lux	1 lux	1 lux
2,5	2,5	7	15	1
3	1,5	8	17	1

OPTIONAL ACCESSORIES:

SHOCK PROTECTING COVERS FOR EMERGENCY LIGHTS



Product Code	Product Name	Compatible Product Groups
TW77507B	Shock protecting cover TW77507B	ESC 10 Emergency Exit Lights, ESC 80 Emergency Exit Lights

We reserve the rights to make modifications without notice.

Copyright © 2021 Teknoware. All rights reserved.

Date: February 18, 2021 | Source:

www.teknoware.com/en/emergency-lighting/linespot-ii-lowbay-led-emergency-light-tws999

2wm



Teknoware Oy | P.O. Box 19, 15101 Lahti | Ilmarisentie 8, 15200 Lahti Finland

Tel +358 3 883 020 | VAT-number FI01494751 | teknoware.com | emexit@teknoware.com

OPTIONAL MOUNTING ACCESSORIES FOR EMERGENCY LIGHTS

Product Code	Product Name	Compatible Product Groups
TW77504F	Suspension bracket TW77504F	Linespot II: Lowbay, Surface-Mounted Emergency Lights, Zonespot II: Lowbay, Surface-Mounted Emergency Lights, Zonespot II: Midbay, Surface-Mounted Emergency Lights, Linespot II: Midbay, Surface-Mounted Emergency Lights, Zonespot II: Highbay, Surface-Mounted Emergency Lights

We reserve the rights to make modifications without notice.

Copyright © 2021 Teknoware. All rights reserved.

Date: February 18, 2021 | Source:

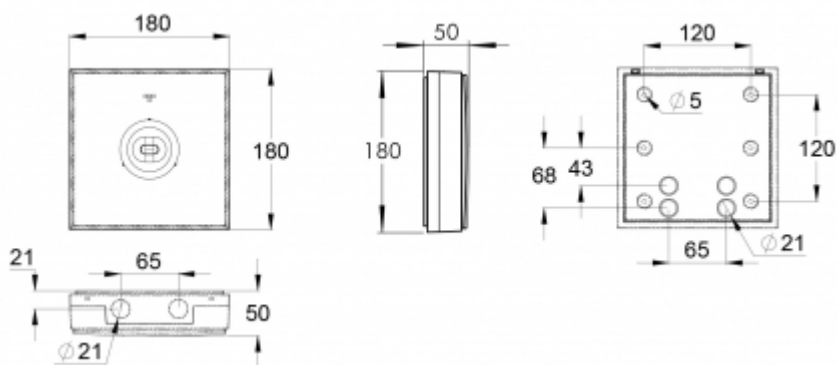
www.teknoware.com/en/emergency-lighting/linespot-ii-lowbay-led-emergency-light-tws999

2wm



Teknoware Oy | P.O. Box 19, 15101 Lahti | Ilmarisentie 8, 15200 Lahti Finland

Tel +358 3 883 020 | VAT-number FI01494751 | teknoware.com | emexit@teknoware.com



We reserve the rights to make modifications without notice.

Copyright © 2021 Teknoware. All rights reserved.

Date: February 18, 2021 | Source:

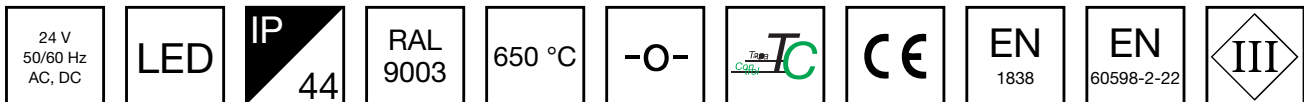
www.teknoware.com/en/emergency-lighting/linespot-ii-lowbay-led-emergency-light-tws999-2wm



Teknoware Oy | P.O. Box 19, 15101 Lahti | Ilmarisentie 8, 15200 Lahti Finland

Tel +358 3 883 020 | VAT-number FI01494751 | teknoware.com | emexit@teknoware.com

LINESPOT II LOWBAY LED EMERGENCY LIGHT TWT9941WK



Addressable 24 V centrally supplied LED Emergency Light

Linespot II Lowbay is a surface mounted emergency light for 2-4 meter high areas. Luminaire makes use of LED technology. Its optics is designed to give a long and narrow light pattern that illuminates corridors and escape routes efficiently.

Thanks to the IP44 enclosure class Linespot II is also suitable for damp locations. Linespot II is easy and fast to install thanks to a separate mounting base, which is also connected to the power supply.

INDIVIDUALLY PACKED LIGHTS

The product codes starting with letter Y include an individually packed luminaire. The product codes starting with TW include the luminaire only.

Product Code	IP Class	Luminous Flux (lm)
Y9941WK	IP44	180

Product Code	TWT9941WK
Feature	Tapsa Control
Mounting (standard)	surface
Mounting (optional)	pendel
GTIN Code	6438045023977
Length	180 mm
Width	180 mm
Height	50 mm
Weight	0,5 kg
Max Input Power VA	3,1 VA
Max Input Power W	3,1 W
Nominal Supply Voltage	24 V, 50/60 Hz AC, DC
Protection Class	III
IP Class	IP44
Temperature Range Min - Max	-30...+50 °C
Glow Wire Test of Plastic Materials	650 °C
Light Source	LED
Body Material	plastic
Colour	RAL9003
Electrical Installation	2/3 x 2,5 mm ²

We reserve the rights to make modifications without notice.
Copyright © 2021 Teknoware. All rights reserved.
Date: February 18, 2021 | Source:
www.teknoware.com/en/linespot-ii-lowbay-led-emergency-light-twt9941wk

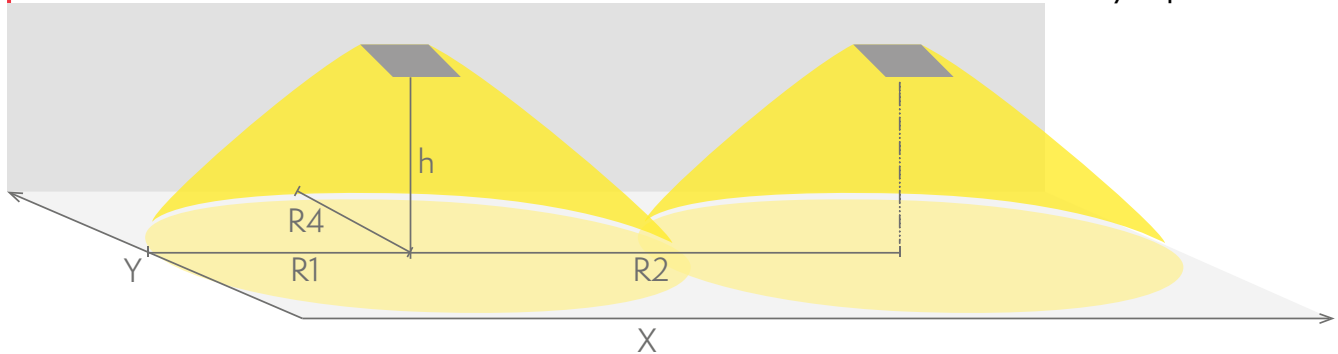
Teknoware Oy | P.O. Box 19, 15101 Lahti | Ilmarisentie 8, 15200 Lahti Finland
Tel +358 3 883 020 | VAT-number FI01494751 | teknoware.com | emexit@teknoware.com



Emergency lighting for escape routes (ceiling mounting)

Table of 1 lux for escape routes in the middle line according to the norm EN 1838.

Level of measurement 0,02 m, measurement result with battery operation.



R1 distance from wall (X axis)

R2 installation distance between lights (X axis)

R4 distance from wall (Y axis)

TWT9941WK

Mounting height (m)	Below the light lux	R1 (m)	R2 (m)	R4 (m)
		1 lux	1 lux	1 lux
2,5	6,4	8	19,5	1
4	2,5	9	24	1

OPTIONAL ACCESSORIES:

SHOCK PROTECTING COVERS FOR EMERGENCY LIGHTS



Product Code	Product Name	Compatible Product Groups
TW77507B	Shock protecting cover TW77507B	ESC 10 Emergency Exit Lights, ESC 80 Emergency Exit Lights

OPTIONAL MOUNTING ACCESSORIES FOR EMERGENCY LIGHTS

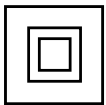
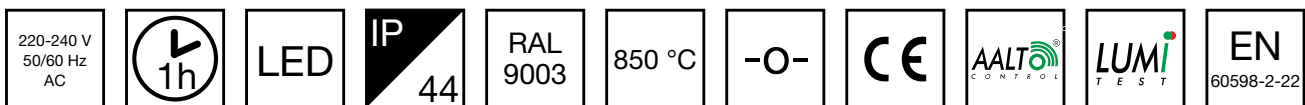
Product Code	Product Name	Compatible Product Groups
TW77504F	Suspension bracket TW77504F	Linespot II: Lowbay, Surface-Mounted Emergency Lights, Zonespot II: Lowbay, Surface-Mounted Emergency Lights, Zonespot II: Midbay, Surface-Mounted Emergency Lights, Linespot II: Midbay, Surface-Mounted Emergency Lights, Zonespot II: Highbay, Surface-Mounted Emergency Lights

We reserve the rights to make modifications without notice.
Copyright © 2021 Teknoware. All rights reserved.
Date: February 18, 2021 | Source:
www.teknoware.com/en/linespot-ii-lowbay-led-emergency-light-twt9941wk

Teknoware Oy | P.O. Box 19, 15101 Lahti | Ilmarisentie 8, 15200 Lahti Finland
Tel +358 3 883 020 | VAT-number FI01494751 | teknoware.com | emexit@teknoware.com



LINESPOT II LOWBAY LED EMERGENCY LIGHT TWT9952WA



Self-contained LED Emergency Light with 1 h Battery and Wireless Central Monitoring

Linespot II Lowbay is surface mounted emergency light for 2-4 meter high areas. Luminaire makes use of LED technology. Its optics is designed to give a long and narrow light pattern that illuminates corridors and escape routes efficiently.

Thanks to the IP44 enclosure class Linespot II is also suitable for damp locations. Linespot II is easy and fast to install thanks to a separate mounting base, which is also connected to the power supply.

We reserve the rights to make modifications without notice.
Copyright © 2021 Teknoware. All rights reserved.
Date: February 18, 2021 | Source:
www.teknoware.com/en/emergency-lighting/linespot-ii-lowbay-led-emergency-light-twt9952wa



Teknoware Oy | P.O. Box 19, 15101 Lahti | Ilmarisentie 8, 15200 Lahti Finland
Tel +358 3 883 020 | VAT-number FI01494751 | teknoware.com | emexit@teknoware.com

INDIVIDUALLY PACKED LIGHTS

The product codes starting with letter Y include an individually packed luminaire. The product codes starting with TW include the luminaire only.

Product Code	IP Class	Luminous Flux (lm)
Y9952WA	IP44	170

Product Code	TWT9952WA
Feature	Aalto Control, Lumi Test
Mounting (standard)	surface
Mounting (optional)	pendel
Customs Code	94056080
GTIN Code	6438045019628
ETIM Product Class	EC001957
Length	180 mm
Width	180 mm
Height	50 mm
Weight	0,7 kg
Backup	1 h
Max Input Power VA	3 VA
Nominal Supply Voltage	220-240 V, 50/60 Hz AC
Protection Class	II
IP Class	IP44
Temperature Range Min - Max	0...+35 °C
Glow Wire Test of Plastic Materials	850 °C
Light Source	LED
Body Material	plastic

We reserve the rights to make modifications without notice.

Copyright © 2021 Teknoware. All rights reserved.

Date: February 18, 2021 | Source:

www.teknoware.com/en/emergency-lighting/linespot-ii-lowbay-led-emergency-light-twt9952wa

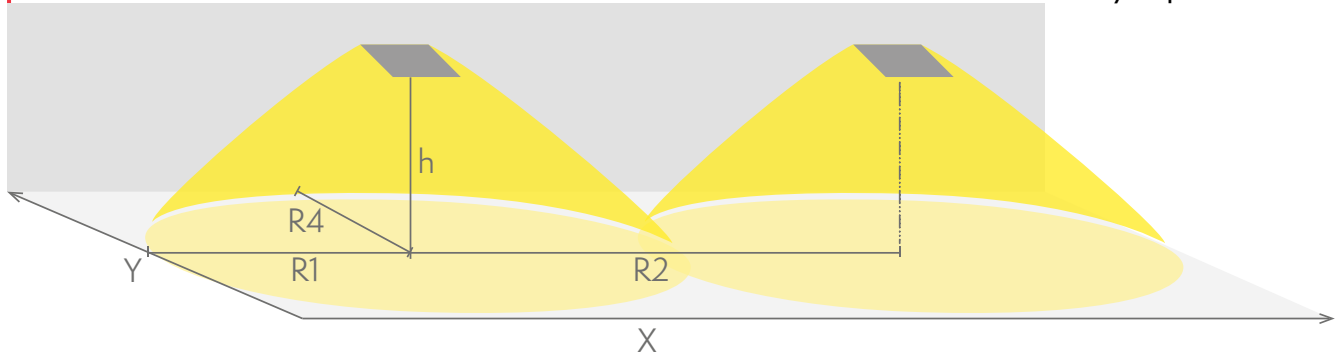


Colour	RAL9003
Electrical Installation	2/3 x 2,5 mm ²
Luminous Flux	170 lm

Emergency lighting for escape routes (ceiling mounting)

Table of 1 lux for escape routes in the middle line according to the norm EN 1838.

Level of measurement 0,02 m, measurement result with battery operation.



R1 distance from wall (X axis)

R2 installation distance between lights (X axis)

R4 distance from wall (Y axis)

TWT9952WA

Mounting height (m)	Below the light lux	R1 (m)	R2 (m)	R4 (m)
		1 lux	1 lux	1 lux
2,5	6,4	8	19,5	1
4	2,5	9	24	1

OPTIONAL ACCESSORIES:

SHOCK PROTECTING COVERS FOR EMERGENCY LIGHTS



Product Code	Product Name	Compatible Product Groups
TW77507B	Shock protecting cover TW77507B	ESC 10 Emergency Exit Lights, ESC 80 Emergency Exit Lights

We reserve the rights to make modifications without notice.

Copyright © 2021 Teknoware. All rights reserved.

Date: February 18, 2021 | Source:

www.teknoware.com/en/emergency-lighting/linespot-ii-lowbay-led-emergency-light-twt9952wa

2wa



Teknoware Oy | P.O. Box 19, 15101 Lahti | Ilmarisentie 8, 15200 Lahti Finland

Tel +358 3 883 020 | VAT-number FI01494751 | teknoware.com | emexit@teknoware.com

OPTIONAL MOUNTING ACCESSORIES FOR EMERGENCY LIGHTS

Product Code	Product Name	Compatible Product Groups
TW77504F	Suspension bracket TW77504F	Linespot II: Lowbay, Surface-Mounted Emergency Lights, Zonespot II: Lowbay, Surface-Mounted Emergency Lights, Zonespot II: Midbay, Surface-Mounted Emergency Lights, Linespot II: Midbay, Surface-Mounted Emergency Lights, Zonespot II: Highbay, Surface-Mounted Emergency Lights

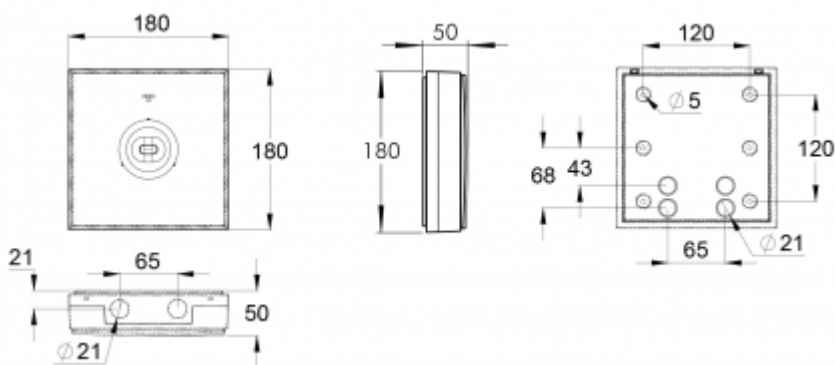
We reserve the rights to make modifications without notice.

Copyright © 2021 Teknoware. All rights reserved.

Date: February 18, 2021 | Source:

www.teknoware.com/en/emergency-lighting/linespot-ii-lowbay-led-emergency-light-twt9952wa





We reserve the rights to make modifications without notice.

Copyright © 2021 Teknoware. All rights reserved.

Date: February 18, 2021 | Source:

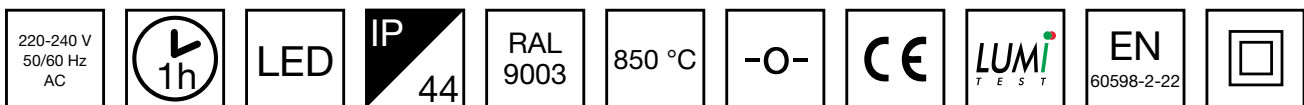
www.teknoware.com/en/emergency-lighting/linespot-ii-lowbay-led-emergency-light-twt995-2wa



Teknoware Oy | P.O. Box 19, 15101 Lahti | Ilmarisentie 8, 15200 Lahti Finland

Tel +358 3 883 020 | VAT-number FI01494751 | teknoware.com | emexit@teknoware.com

LINESPOT II LOWBAY LED EMERGENCY LIGHT TWT9952WM



Self-contained LED Emergency Exit Light with 1 h Battery and Lumi Test Self-testing

Linespot II Lowbay is surface mounted emergency light for 2-4 meter high areas. Luminaire makes use of LED technology. Its optics is designed to give a long and narrow light pattern that illuminates corridors and escape routes efficiently.

Thanks to the IP44 enclosure class Linespot II is also suitable for damp locations. Linespot II is easy and fast to install thanks to a separate mounting base, which is also connected to the power supply.

We reserve the rights to make modifications without notice.
Copyright © 2021 Teknoware. All rights reserved.
Date: February 18, 2021 | Source:
www.teknoware.com/en/emergency-lighting/linespot-ii-lowbay-led-emergency-light-twt9952wm



Teknoware Oy | P.O. Box 19, 15101 Lahti | Ilmarisentie 8, 15200 Lahti Finland
Tel +358 3 883 020 | VAT-number FI01494751 | teknoware.com | emexit@teknoware.com

INDIVIDUALLY PACKED LIGHTS

The product codes starting with letter Y include an individually packed luminaire. The product codes starting with TW include the luminaire only.

Product Code	IP Class	Luminous Flux (lm)
Y9952WM	IP44	170

Product Code	TWT9952WM
Feature	Lumi Test
Mounting (standard)	surface
Mounting (optional)	pendel
Customs Code	94056080
GTIN Code	6438045019635
ETIM Product Class	EC001957
Length	180 mm
Width	180 mm
Height	50 mm
Weight	0,7 kg
Backup	1 h
Max Input Power VA	3 VA
Nominal Supply Voltage	220-240 V, 50/60 Hz AC
Protection Class	II
IP Class	IP44
Temperature Range Min - Max	0...+35 °C
Glow Wire Test of Plastic Materials	850 °C
Light Source	LED
Body Material	plastic

We reserve the rights to make modifications without notice.

Copyright © 2021 Teknoware. All rights reserved.

Date: February 18, 2021 | Source:

www.teknoware.com/en/emergency-lighting/linespot-ii-lowbay-led-emergency-light-twt995

2wm

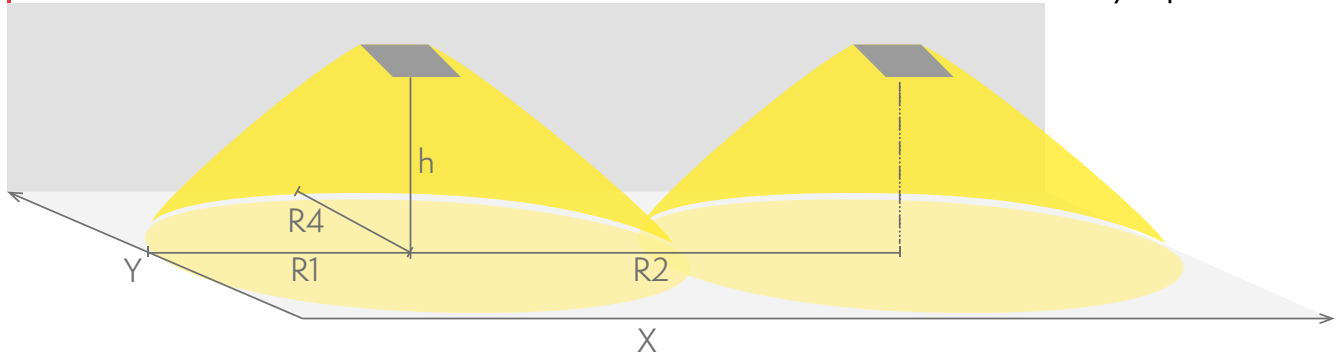


Colour	RAL9003
Electrical Installation	2/3 x 2,5 mm ²
Luminous Flux	170 lm

Emergency lighting for escape routes (ceiling mounting)

Table of 1 lux for escape routes in the middle line according to the norm EN 1838.

Level of measurement 0,02 m, measurement result with battery operation.



R1 distance from wall (X axis)

R2 installation distance between lights (X axis)

R4 distance from wall (Y axis)

TWT9952WM

Mounting height (m)	Below the light lux	R1 (m)	R2 (m)	R4 (m)
		1 lux	1 lux	1 lux
2,5	6,4	8	19,5	1
4	2,5	9	24	1

OPTIONAL ACCESSORIES:

SHOCK PROTECTING COVERS FOR EMERGENCY LIGHTS



Product Code	Product Name	Compatible Product Groups
TW77507B	Shock protecting cover TW77507B	ESC 10 Emergency Exit Lights, ESC 80 Emergency Exit Lights

We reserve the rights to make modifications without notice.

Copyright © 2021 Teknoware. All rights reserved.

Date: February 18, 2021 | Source:

www.teknoware.com/en/emergency-lighting/linespot-ii-lowbay-led-emergency-light-twt9952wm

2wm



Teknoware Oy | P.O. Box 19, 15101 Lahti | Ilmarisentie 8, 15200 Lahti Finland

Tel +358 3 883 020 | VAT-number FI01494751 | teknoware.com | emexit@teknoware.com

OPTIONAL MOUNTING ACCESSORIES FOR EMERGENCY LIGHTS

Product Code	Product Name	Compatible Product Groups
TW77504F	Suspension bracket TW77504F	Linespot II: Lowbay, Surface-Mounted Emergency Lights, Zonespot II: Lowbay, Surface-Mounted Emergency Lights, Zonespot II: Midbay, Surface-Mounted Emergency Lights, Linespot II: Midbay, Surface-Mounted Emergency Lights, Zonespot II: Highbay, Surface-Mounted Emergency Lights

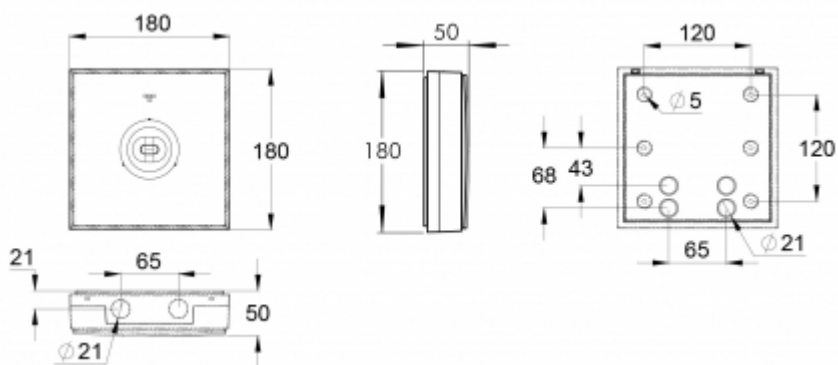
We reserve the rights to make modifications without notice.

Copyright © 2021 Teknoware. All rights reserved.

Date: February 18, 2021 | Source:

www.teknoware.com/en/emergency-lighting/linespot-ii-lowbay-led-emergency-light-twt9952wm





We reserve the rights to make modifications without notice.

Copyright © 2021 Teknoware. All rights reserved.

Date: February 18, 2021 | Source:

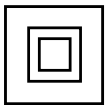
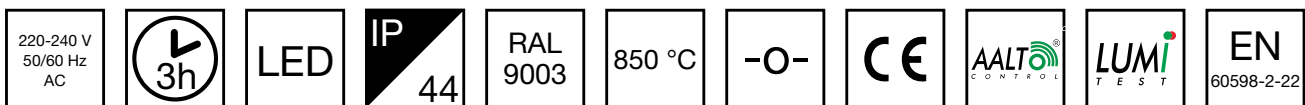
www.teknoware.com/en/emergency-lighting/linespot-ii-lowbay-led-emergency-light-twt995-2wm



Teknoware Oy | P.O. Box 19, 15101 Lahti | Ilmarisentie 8, 15200 Lahti Finland

Tel +358 3 883 020 | VAT-number FI01494751 | teknoware.com | emexit@teknoware.com

LINESPOT II LOWBAY LED EMERGENCY LIGHT TWT9953WA



Self-contained LED Emergency Light with 3 h Battery and Wireless Central Monitoring

Linespot II Lowbay is surface mounted emergency light for 2-4 meter high areas. Luminaire makes use of LED technology. Its optics is designed to give a long and narrow light pattern that illuminates corridors and escape routes efficiently.

Thanks to the IP44 enclosure class Linespot II is also suitable for damp locations. Linespot II is easy and fast to install thanks to a separate mounting base, which is also connected to the power supply.

We reserve the rights to make modifications without notice.
Copyright © 2021 Teknoware. All rights reserved.
Date: February 18, 2021 | Source:
www.teknoware.com/en/emergency-lighting/linespot-ii-lowbay-led-emergency-light-twt9953wa



Teknoware Oy | P.O. Box 19, 15101 Lahti | Ilmarisentie 8, 15200 Lahti Finland
Tel +358 3 883 020 | VAT-number FI01494751 | teknoware.com | emexit@teknoware.com

INDIVIDUALLY PACKED LIGHTS

The product codes starting with letter Y include an individually packed luminaire. The product codes starting with TW include the luminaire only.

Product Code	IP Class	Luminous Flux (lm)
Y9953WA	IP44	170
Y3171W143	IP65	
Y3171W148	IP65	
Y3171W147	IP65	
Y3171W145	IP65	
Y3171W149	IP65	
Y3171W141	IP65	
Y3171W142	IP65	

Product Code	TWT9953WA
Feature	Aalto Control, Lumi Test
Mounting (standard)	surface
Mounting (optional)	pendel
Customs Code	94056080
GTIN Code	6438045019642
ETIM Product Class	EC001957
Length	180 mm
Width	180 mm
Height	50 mm
Weight	0,9 kg
Backup	3 h
Max Input Power VA	6 VA
Nominal Supply Voltage	220-240 V, 50/60 Hz AC

We reserve the rights to make modifications without notice.

Copyright © 2021 Teknoware. All rights reserved.

Date: February 18, 2021 | Source:

www.teknoware.com/en/emergency-lighting/linespot-ii-lowbay-led-emergency-light-twt9953wa

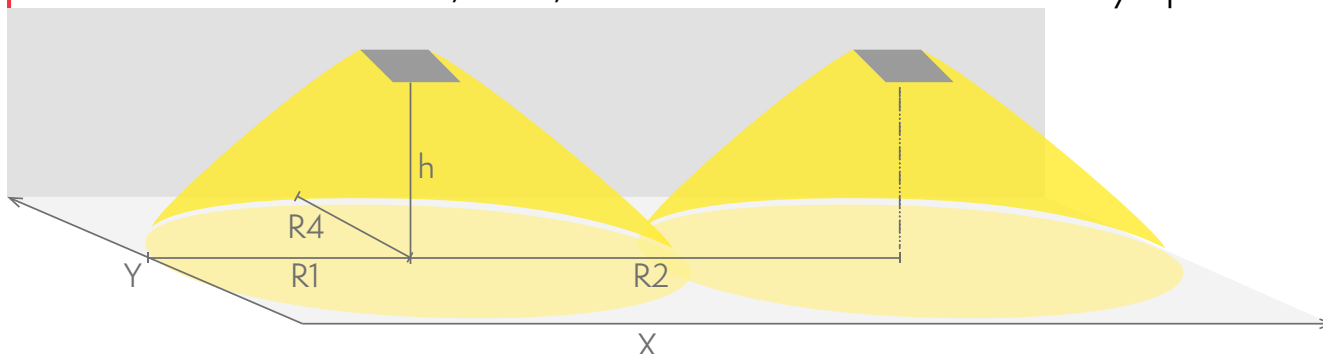


Protection Class	II
IP Class	IP44
Temperature Range Min - Max	0...+35 °C
Glow Wire Test of Plastic Materials	850 °C
Light Source	LED
Body Material	plastic
Colour	RAL9003
Electrical Installation	2/3 x 2,5 mm ²
Luminous Flux	170 lm

Emergency lighting for escape routes (ceiling mounting)

Table of 1 lux for escape routes in the middle line according to the norm EN 1838.

Level of measurement 0,02 m, measurement result with battery operation.



R1 distance from wall (X axis)

R2 installation distance between lights (X axis)

R4 distance from wall (Y axis)

TWT9953WA

Mounting height (m)	Below the light lux	R1 (m)	R2 (m)	R4 (m)
		1 lux	1 lux	1 lux
2,5	6,4	8	19,5	1
4	2,5	9	24	1

OPTIONAL ACCESSORIES:

We reserve the rights to make modifications without notice.

Copyright © 2021 Teknoware. All rights reserved.

Date: February 18, 2021 | Source:

www.teknoware.com/en/emergency-lighting/linespot-ii-lowbay-led-emergency-light-twt9953wa

3wa



Teknoware Oy | P.O. Box 19, 15101 Lahti | Ilmarisentie 8, 15200 Lahti Finland

Tel +358 3 883 020 | VAT-number FI01494751 | teknoware.com | emexit@teknoware.com

SHOCK PROTECTING COVERS FOR EMERGENCY LIGHTS



Product Code	Product Name	Compatible Product Groups
TW77507B	Shock protecting cover TW77507B	ESC 10 Emergency Exit Lights, ESC 80 Emergency Exit Lights

OPTIONAL MOUNTING ACCESSORIES FOR EMERGENCY LIGHTS

Product Code	Product Name	Compatible Product Groups
TW77504F	Suspension bracket TW77504F	Linespot II: Lowbay, Surface-Mounted Emergency Lights, Zonespot II: Lowbay, Surface-Mounted Emergency Lights, Zonespot II: Midbay, Surface-Mounted Emergency Lights, Linespot II: Midbay, Surface-Mounted Emergency Lights, Zonespot II: Highbay, Surface-Mounted Emergency Lights

We reserve the rights to make modifications without notice.

Copyright © 2021 Teknoware. All rights reserved.

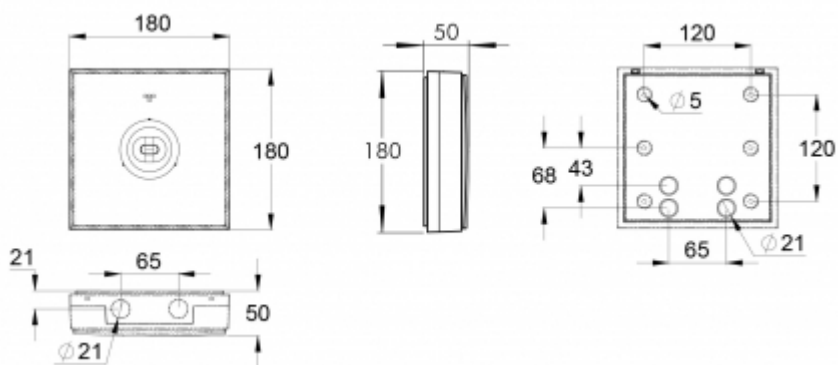
Date: February 18, 2021 | Source:

www.teknoware.com/en/emergency-lighting/linespot-ii-lowbay-led-emergency-light-twt9953wa



Teknoware Oy | P.O. Box 19, 15101 Lahti | Ilmarisentie 8, 15200 Lahti Finland

Tel +358 3 883 020 | VAT-number FI01494751 | teknoware.com | emexit@teknoware.com



We reserve the rights to make modifications without notice.

Copyright © 2021 Teknoware. All rights reserved.

Date: February 18, 2021 | Source:

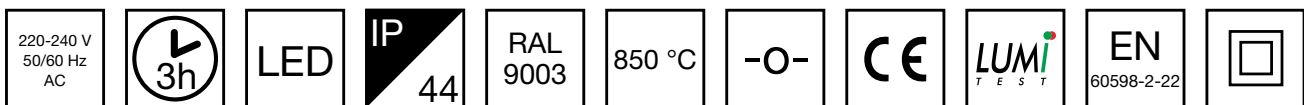
www.teknoware.com/en/emergency-lighting/linespot-ii-lowbay-led-emergency-light-twt995-3wa



Teknoware Oy | P.O. Box 19, 15101 Lahti | Ilmarisentie 8, 15200 Lahti Finland

Tel +358 3 883 020 | VAT-number FI01494751 | teknoware.com | emexit@teknoware.com

LINESPOT II LOWBAY LED EMERGENCY LIGHT TWT9953WM



Self-contained LED Emergency Exit Light with 3 h Battery and Lumi Test Self-testing

Linespot II Lowbay is surface mounted emergency light for 2-4 meter high areas. Luminaire makes use of LED technology. Its optics is designed to give a long and narrow light pattern that illuminates corridors and escape routes efficiently.

Thanks to the IP44 enclosure class Linespot II is also suitable for damp locations. Linespot II is easy and fast to install thanks to a separate mounting base, which is also connected to the power supply.

INDIVIDUALLY PACKED LIGHTS

The product codes starting with letter Y include an individually packed luminaire. The product codes starting with TW include the luminaire only.

Product Code	IP Class	Luminous Flux (lm)
Y9953WM	IP44	170

Product Code	TWT9953WM
Feature	Lumi Test
Mounting (standard)	surface
Mounting (optional)	pendel
Customs Code	94056080
GTIN Code	6438045019659
ETIM Product Class	EC001957
Length	180 mm
Width	180 mm
Height	50 mm
Weight	0,9 kg
Backup	3 h
Max Input Power VA	6 VA
Nominal Supply Voltage	220-240 V, 50/60 Hz AC
Protection Class	II
IP Class	IP44
Temperature Range Min - Max	0...+35 °C
Glow Wire Test of Plastic Materials	850 °C
Light Source	LED
Body Material	plastic

We reserve the rights to make modifications without notice.

Copyright © 2021 Teknoware. All rights reserved.

Date: February 18, 2021 | Source:

www.teknoware.com/en/emergency-lighting/linespot-ii-lowbay-led-emergency-light-twt9953wm

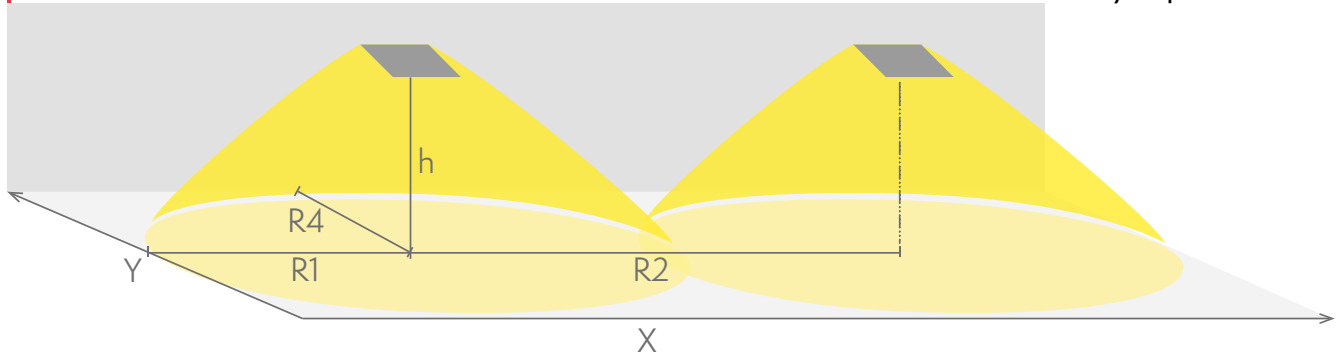


Colour	RAL9003
Electrical Installation	2/3 x 2,5 mm ²
Luminous Flux	170 lm

Emergency lighting for escape routes (ceiling mounting)

Table of 1 lux for escape routes in the middle line according to the norm EN 1838.

Level of measurement 0,02 m, measurement result with battery operation.



R1 distance from wall (X axis)

R2 installation distance between lights (X axis)

R4 distance from wall (Y axis)

TWT9953WM

Mounting height (m)	Below the light lux	R1 (m)	R2 (m)	R4 (m)
		1 lux	1 lux	1 lux
2,5	6,4	8	19,5	1
4	2,5	9	24	1

OPTIONAL ACCESSORIES:

SHOCK PROTECTING COVERS FOR EMERGENCY LIGHTS



Product Code	Product Name	Compatible Product Groups
TW77507B	Shock protecting cover TW77507B	ESC 10 Emergency Exit Lights, ESC 80 Emergency Exit Lights

We reserve the rights to make modifications without notice.

Copyright © 2021 Teknoware. All rights reserved.

Date: February 18, 2021 | Source:

www.teknoware.com/en/emergency-lighting/linespot-ii-lowbay-led-emergency-light-twt9953wm



Teknoware Oy | P.O. Box 19, 15101 Lahti | Ilmarisentie 8, 15200 Lahti Finland

Tel +358 3 883 020 | VAT-number FI01494751 | teknoware.com | emexit@teknoware.com

OPTIONAL MOUNTING ACCESSORIES FOR EMERGENCY LIGHTS

Product Code	Product Name	Compatible Product Groups
TW77504F	Suspension bracket TW77504F	Linespot II: Lowbay, Surface-Mounted Emergency Lights, Zonespot II: Lowbay, Surface-Mounted Emergency Lights, Zonespot II: Midbay, Surface-Mounted Emergency Lights, Linespot II: Midbay, Surface-Mounted Emergency Lights, Zonespot II: Highbay, Surface-Mounted Emergency Lights

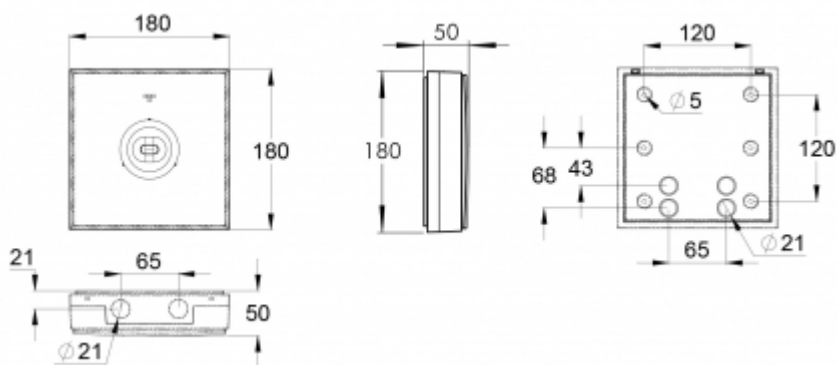
We reserve the rights to make modifications without notice.

Copyright © 2021 Teknoware. All rights reserved.

Date: February 18, 2021 | Source:

www.teknoware.com/en/emergency-lighting/linespot-ii-lowbay-led-emergency-light-twt9953wm





We reserve the rights to make modifications without notice.

Copyright © 2021 Teknoware. All rights reserved.

Date: February 18, 2021 | Source:

www.teknoware.com/en/emergency-lighting/linespot-ii-lowbay-led-emergency-light-twt995

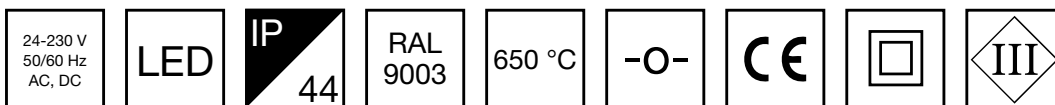
3wm



Teknoware Oy | P.O. Box 19, 15101 Lahti | Ilmarisentie 8, 15200 Lahti Finland

Tel +358 3 883 020 | VAT-number FI01494751 | teknoware.com | emexit@teknoware.com

LINESPOT II LOWBAY LED EMERGENCY LIGHT TWT9971W



24-230 V centrally supplied LED emergency light

Linespot II Lowbay is surface mounted emergency light for 2-4 meter high areas. Luminaire makes use of LED technology. Its optics is designed to give a long and narrow light pattern that illuminates corridors and escape routes efficiently.

Thanks to the IP44 enclosure class Linespot II is also suitable for damp locations. Linespot II is easy and fast to install thanks to a separate mounting base, which is also connected to the power supply.

INDIVIDUALLY PACKED LIGHTS

The product codes starting with letter Y include an individually packed luminaire. The product codes starting with TW include the luminaire only.

Product Code	IP Class	Luminous Flux (lm)
Y9971W	IP44	170

Product Code	TWT9971W
Mounting (standard)	surface
Mounting (optional)	pendel
Customs Code	94056080
GTIN Code	6438045019154
ETIM Product Class	EC001957
Length	180 mm
Width	180 mm
Height	50 mm
Weight	0,5 kg
Max Input Power VA	8 VA (24 V), 10 VA (230 V)
Max Input Power W	5 W (24 V), 5 W (230 V)
Nominal Supply Voltage	24-230 V, 50/60 Hz AC, DC
Protection Class	III (24 V), II (230 V)
IP Class	IP44
Temperature Range Min - Max	-30...+50 °C
Glow Wire Test of Plastic Materials	650 °C
Light Source	LED
Body Material	plastic
Colour	RAL9003

We reserve the rights to make modifications without notice.

Copyright © 2021 Teknoware. All rights reserved.

Date: February 18, 2021 | Source:

www.teknoware.com/en/emergency-lighting/linespot-ii-lowbay-led-emergency-light-twt9971w

w

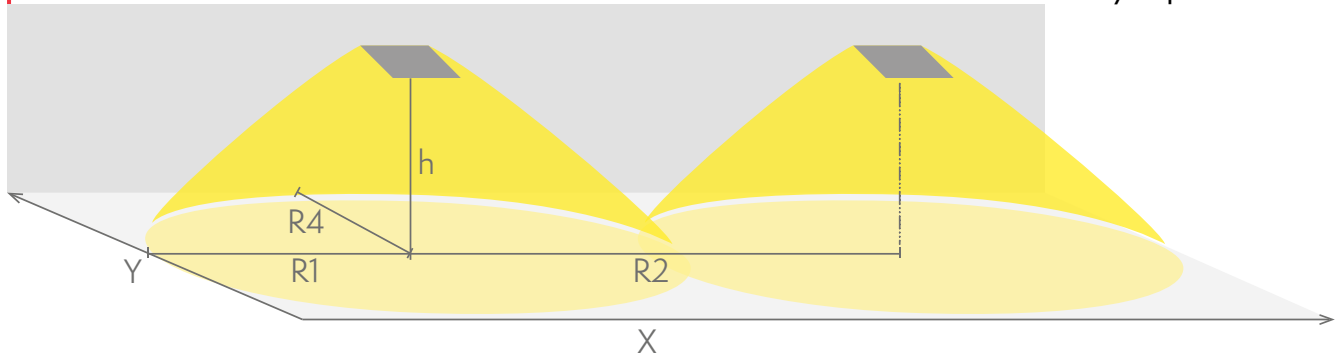


Electrical Installation	2 x 2,5 mm ² (24 V), 3 x 2,5 mm ² (230 V)
Luminous Flux	170 lm

Emergency lighting for escape routes (ceiling mounting)

Table of 1 lux for escape routes in the middle line according to the norm EN 1838.

Level of measurement 0,02 m, measurement result with battery operation.



R1 distance from wall (X axis)

R2 installation distance between lights (X axis)

R4 distance from wall (Y axis)

TWT9971W

Mounting height (m)	Below the light lux	R1 (m)	R2 (m)	R4 (m)
		1 lux	1 lux	1 lux
2,5	6,4	8	19,5	1
4	2,5	9	24	1

OPTIONAL ACCESSORIES:

SHOCK PROTECTING COVERS FOR EMERGENCY LIGHTS



Product Code	Product Name	Compatible Product Groups
TW77507B	Shock protecting cover TW77507B	ESC 10 Emergency Exit Lights, ESC 80 Emergency Exit Lights

OPTIONAL MOUNTING ACCESSORIES FOR

We reserve the rights to make modifications without notice.

Copyright © 2021 Teknoware. All rights reserved.

Date: February 18, 2021 | Source:

www.teknoware.com/en/emergency-lighting/linespot-ii-lowbay-led-emergency-light-twt9971w

w



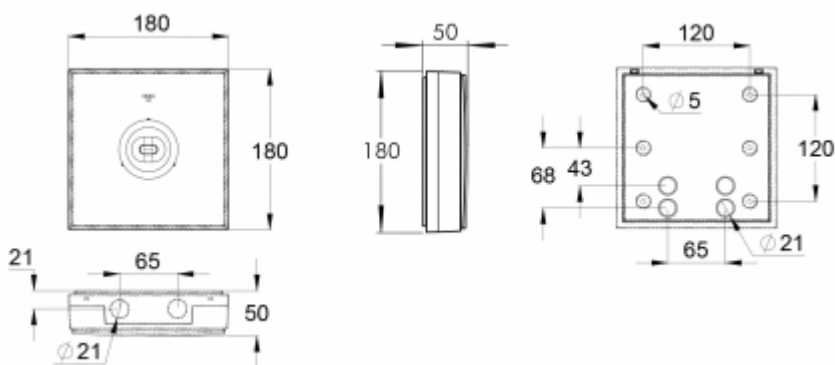
EMERGENCY LIGHTS

Product Code	Product Name	Compatible Product Groups
TW77504F	Suspension bracket TW77504F	Linespot II: Lowbay, Surface-Mounted Emergency Lights, Zonespot II: Lowbay, Surface-Mounted Emergency Lights, Zonespot II: Midbay, Surface-Mounted Emergency Lights, Linespot II: Midbay, Surface-Mounted Emergency Lights, Zonespot II: Highbay, Surface-Mounted Emergency Lights

We reserve the rights to make modifications without notice.
Copyright © 2021 Teknoware. All rights reserved.
Date: February 18, 2021 | Source:
www.teknoware.com/en/emergency-lighting/linespot-ii-lowbay-led-emergency-light-twt9971w



Teknoware Oy | P.O. Box 19, 15101 Lahti | Ilmarisentie 8, 15200 Lahti Finland
Tel +358 3 883 020 | VAT-number FI01494751 | teknoware.com | emexit@teknoware.com



We reserve the rights to make modifications without notice.

Copyright © 2021 Teknoware. All rights reserved.

Date: February 18, 2021 | Source:

www.teknoware.com/en/emergency-lighting/linespot-ii-lowbay-led-emergency-light-twt9971

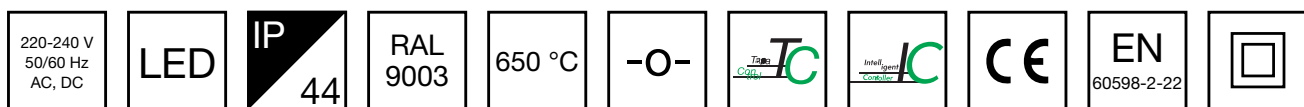
w



Teknoware Oy | P.O. Box 19, 15101 Lahti | Ilmarisentie 8, 15200 Lahti Finland

Tel +358 3 883 020 | VAT-number FI01494751 | teknoware.com | emexit@teknoware.com

LINESPOT II LOWBAY LED EMERGENCY LIGHT Y9951WK



Addressable 230 V centrally supplied LED Emergency Light (Individually packed TWT9951WK)

Linespot II Lowbay is surface mounted emergency light for 2-4 meter high areas. Luminaire makes use of LED technology. Its optics is designed to give a long and narrow light pattern that illuminates corridors and escape routes efficiently.

Thanks to the IP44 enclosure class Linespot II is also suitable for damp locations. Linespot II is easy and fast to install thanks to a separate mounting base, which is also connected to the power supply.

Product Code	Y9951WK
Feature	Intelligent Controller, Tapsa Control
Mounting (standard)	surface
Mounting (optional)	pendel
Customs Code	94056080
GTIN Code	6438045016870
ETIM Product Class	EC001957
Length	185 mm
Width	185 mm
Height	52 mm
Weight	0,6 kg
Max Input Power VA	10 VA
Max Input Power W	5,5 W
Nominal Supply Voltage	220-240 V, 50/60 Hz AC, DC
Protection Class	II
IP Class	IP44
Temperature Range Min - Max	-30...+50 °C
Glow Wire Test of Plastic Materials	650 °C
Light Source	LED
Body Material	plastic
Colour	RAL9003
Electrical Installation	2/3 x 2,5 mm ²
Luminous Flux	170 lm

Emergency lighting for escape routes (ceiling mounting)

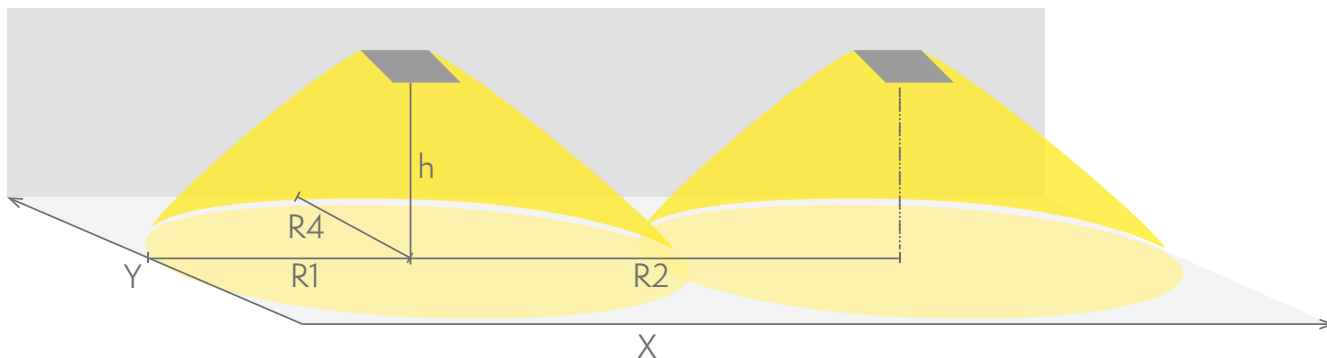
Table of 1 lux for escape routes in the middle line according to the norm EN 1838.

Level of measurement 0,02 m, measurement result with battery operation.

We reserve the rights to make modifications without notice.
 Copyright © 2021 Teknoware. All rights reserved.
 Date: February 18, 2021 | Source:
www.teknoware.com/en/emergency-lighting/linespot-ii-lowbay-led-emergency-light-y9951wk



Teknoware Oy | P.O. Box 19, 15101 Lahti | Ilmarisentie 8, 15200 Lahti Finland
 Tel +358 3 883 020 | VAT-number FI01494751 | teknoware.com | emexit@teknoware.com



- R1 distance from wall (X axis)
- R2 installation distance between lights (X axis)
- R4 distance from wall (Y axis)

Y9951WK

Mounting height (m)	Below the light lux	R1 (m)	R2 (m)	R4 (m)
		1 lux	1 lux	1 lux
2,5	6,4	8	19,5	1
4	2,5	9	24	1

OPTIONAL ACCESSORIES:

SHOCK PROTECTING COVERS FOR EMERGENCY LIGHTS



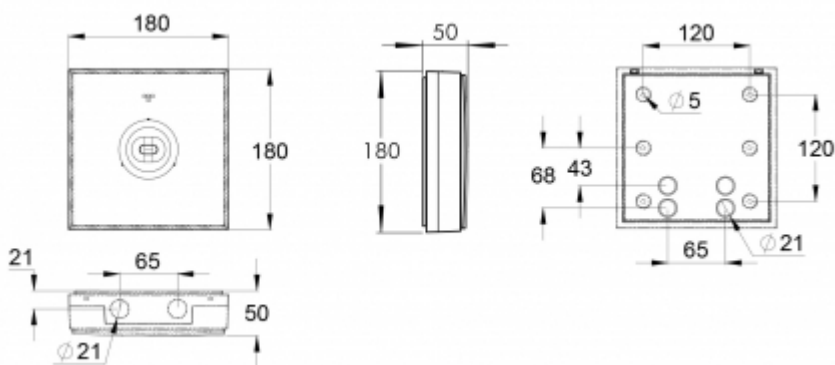
Product Code	Product Name	Compatible Product Groups
TW77507B	Shock protecting cover TW77507B	ESC 10 Emergency Exit Lights, ESC 80 Emergency Exit Lights

OPTIONAL MOUNTING ACCESSORIES FOR EMERGENCY LIGHTS

Product Code	Product Name	Compatible Product Groups
TW77504F	Suspension bracket TW77504F	Linespot II: Lowbay, Surface-Mounted Emergency Lights, Zonespot II: Lowbay, Surface-Mounted Emergency Lights, Zonespot II: Midbay, Surface-Mounted Emergency Lights, Linespot II: Midbay, Surface-Mounted Emergency Lights, Zonespot II: Highbay, Surface-Mounted Emergency Lights

We reserve the rights to make modifications without notice.
 Copyright © 2021 Teknoware. All rights reserved.
 Date: February 18, 2021 | Source:
www.teknoware.com/en/emergency-lighting/linespot-ii-lowbay-led-emergency-light-y9951wk





We reserve the rights to make modifications without notice.
Copyright © 2021 Teknoware. All rights reserved.
Date: February 18, 2021 | Source:
www.teknoware.com/en/emergency-lighting/linespot-ii-lowbay-led-emergency-light-y9951wk



Teknoware Oy | P.O. Box 19, 15101 Lahti | Ilmarisentie 8, 15200 Lahti Finland
Tel +358 3 883 020 | VAT-number FI01494751 | teknoware.com | emexit@teknoware.com