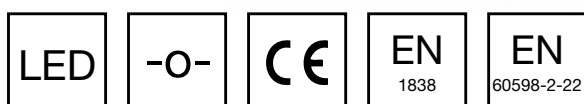


# FIND EMERGENCY SIGN LIGHT



Teknoware Find is an emergency sign light that guides you to the location of fire and safety equipment. Find indicates the equipment below the light, and it has a downlight which illuminates the equipment during power outages. There are several standard pictograms, and custom-made pictograms are available on demand.

10-year warranty for Escap type lights with supercapacitor back-up.

Built-in emergency light: In cases of power outage, the downlight illuminates with 5 lux.

Various standard pictograms, custom-made pictograms are available on demand.

Viewing angle: 180°, visible from the front and both sides.

Protection rating: IP44.

Frame: Powder-coated steel.

The product codes starting with letter Y include an individually packed luminaire, and the pictogram/s mentioned in the table. The product codes starting with TW include the luminaire only.

## ADDRESSABLE 230 V CENTRALLY SUPPLIED EMERGENCY LIGHTS

Product Code	Nominal Supply Voltage	Feature
TWTA351WK	220-240 V, 50/60 Hz AC, DC	Intelligent Controller, Tapsa Control

We reserve the rights to make modifications without notice.

Copyright © 2021 Teknoware. All rights reserved.

Date: January 02, 2021 | Source:

[www.teknoware.com/en/emergency-lighting/emergency-exit-lights/emergency-exit-light-product-families/find-emergency-sign-light](http://www.teknoware.com/en/emergency-lighting/emergency-exit-lights/emergency-exit-light-product-families/find-emergency-sign-light)



Teknoware Oy | P.O. Box 19, 15101 Lahti | Ilmarisentie 8, 15200 Lahti Finland  
Tel +358 3 883 020 | VAT-number FI01494751 | [teknoware.com](http://teknoware.com) | [emexit@teknoware.com](mailto:emexit@teknoware.com)

## SELF-CONTAINED ESCAP EMERGENCY EXIT LIGHTS WITH SUPER CAPACITOR AND SELF-TESTING

Product Code	Nominal Supply Voltage	Pictogram	Pictogram Info	Backup (h)
TWSA392WM	220-240 V, 50/60 Hz AC			1

## SELF-CONTAINED ESCAP EMERGENCY EXIT LIGHTS WITH SUPER CAPACITOR AND WIRELESS CENTRAL MONITORING

Product Code	Nominal Supply Voltage	Pictogram	Pictogram Info	Backup (h)
TWSA392WA	220-240 V, 50/60 Hz AC			1

We reserve the rights to make modifications without notice.

Copyright © 2021 Teknoware. All rights reserved.

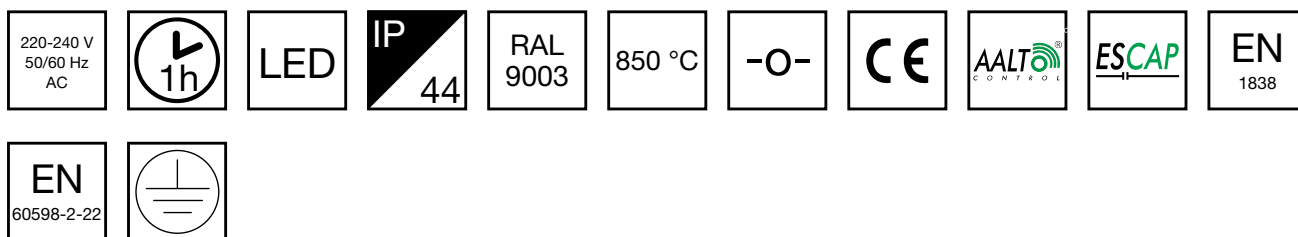
Date: January 02, 2021 | Source:

[www.teknoware.com/en/emergency-lighting/emergency-exit-lights/emergency-exit-light-product-families/find-emergency-sign-light](http://www.teknoware.com/en/emergency-lighting/emergency-exit-lights/emergency-exit-light-product-families/find-emergency-sign-light)

Teknoware Oy | P.O. Box 19, 15101 Lahti | Ilmarisentie 8, 15200 Lahti Finland  
Tel +358 3 883 020 | VAT-number FI01494751 | [teknoware.com](http://teknoware.com) | [emexit@teknoware.com](mailto:emexit@teknoware.com)



# FIND EMERGENCY SIGN LIGHT TWSA392WA



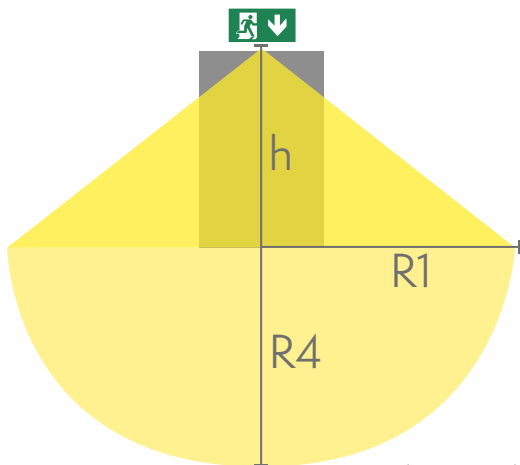
Self-contained ESCAP emergency sign with 1 h super capacitor and Aalto Ctrl wireless monitoring.

Teknoware Find is an emergency sign light that guides you to the location of fire and safety equipment. Find indicates the equipment below the light, and it has a downlight which illuminates the equipment during power outages. There are several standard pictograms, and custom-made pictograms are available on demand. The Find's frame is powder-coated steel and it has an IP44-rating.

Product Code	TWSA392WA
Feature	Aalto Control, Escap
Mounting (standard)	wall
Customs Code	94056080
GTIN Code	6438045024639
ETIM Product Class	EC001957
Length	300 mm
Width	180 mm
Height	120 mm
Weight	1,7 kg
Backup	1 h
Max Input Power VA	3 VA
Nominal Supply Voltage	220-240 V, 50/60 Hz AC
Protection Class	I
IP Class	IP44
Temperature Range Min - Max	-25...+35 °C
Glow Wire Test of Plastic Materials	850 °C
Light Source	LED
Body Material	metal
Colour	RAL9003
Electrical Installation	3 x 2,5 mm <sup>2</sup>
Luminous Flux	24 lm

## Downlight chart for Exit Lights

Tables of 1 lux and 0,5 lux, under the Exit Light.  
 Level of measurement 0,02 m, measurement result with battery operation.

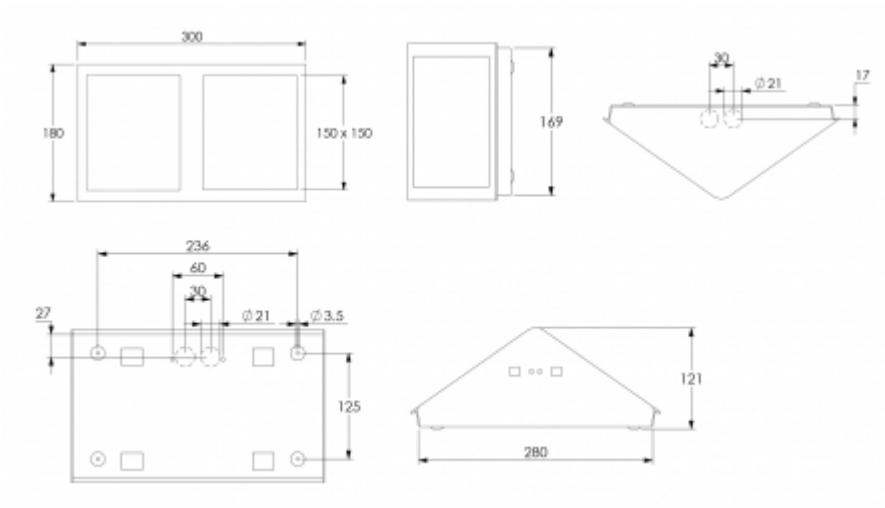


R1 distance from wall (X axis)  
 R4 distance from wall (Y axis)

TWSA392WA

Mounting height (m)	Below the light lux	R1 (m)	R4 (m)	R1 (m)	R4 (m)
		1 lux	1 lux	0,5 lux	0,5 lux
2	9	1	1	1,2	1,2
2,5	5,5	1,1	1,1	1,4	1,3
3	3,5	1,2	1,1	1,5	1,3
4	2	1,3	1,1	1,6	1,5

ONE OR MORE OF THESE IS ALSO REQUIRED:

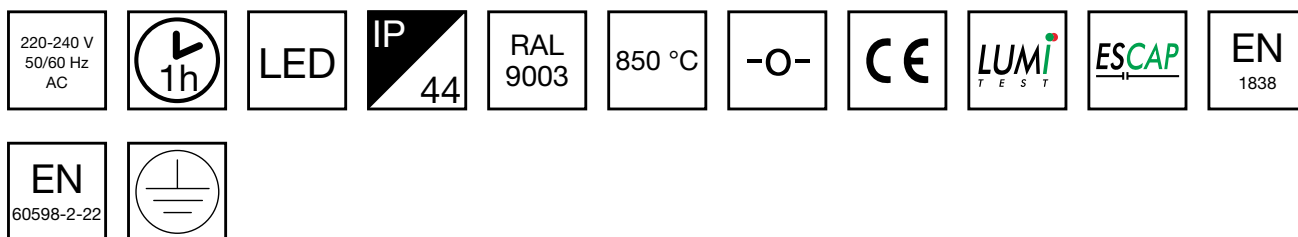


We reserve the rights to make modifications without notice.  
 Copyright © 2021 Teknoware. All rights reserved.  
 Date: January 02, 2021 | Source:  
[www.teknoware.com/en/emergency-lighting/find-emergency-sign-light-twsa392wa](http://www.teknoware.com/en/emergency-lighting/find-emergency-sign-light-twsa392wa)

Teknoware Oy | P.O. Box 19, 15101 Lahti | Ilmarisentie 8, 15200 Lahti Finland  
 Tel +358 3 883 020 | VAT-number FI01494751 | [teknoware.com](http://teknoware.com) | [emexit@teknoware.com](mailto:emexit@teknoware.com)



# FIND EMERGENCY SIGN LIGHT TWSA392WM



Self-contained ESCAP emergency sign with 1 h super capacitor and Lumi Test Self-testing.

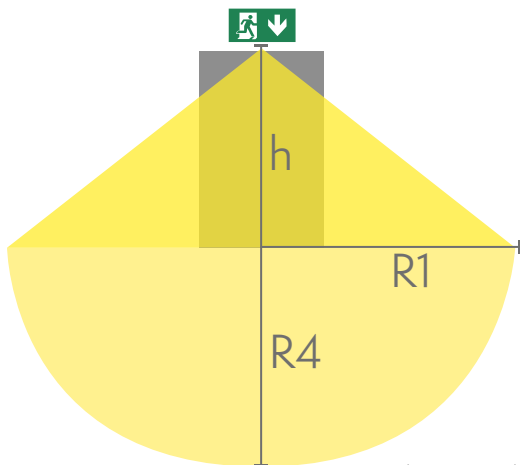
Teknoware Find is an emergency sign light that guides you to the location of fire and safety equipment. Find indicates the equipment below the light, and it has a downlight which illuminates the equipment during power outages. There are several standard pictograms, and custom-made pictograms are available on demand. The Find's frame is powder-coated steel and it has an IP44-rating.

Product Code	TWSA392WM
Feature	Escap, Lumi Test
Mounting (standard)	wall
Customs Code	94056080
GTIN Code	6438045024646
ETIM Product Class	EC001957
Length	300 mm
Width	180 mm
Height	120 mm
Weight	1,7 kg
Backup	1 h
Max Input Power VA	2 VA
Nominal Supply Voltage	220-240 V, 50/60 Hz AC
Protection Class	I
IP Class	IP44
Temperature Range Min - Max	-25...+35 °C
Glow Wire Test of Plastic Materials	850 °C
Light Source	LED
Body Material	metal
Colour	RAL9003
Electrical Installation	3 x 2,5 mm <sup>2</sup>
Luminous Flux	24 lm

## Downlight chart for Exit Lights

Tables of 1 lux and 0,5 lux, under the Exit Light.  
Level of measurement 0,02 m, measurement result with battery operation.



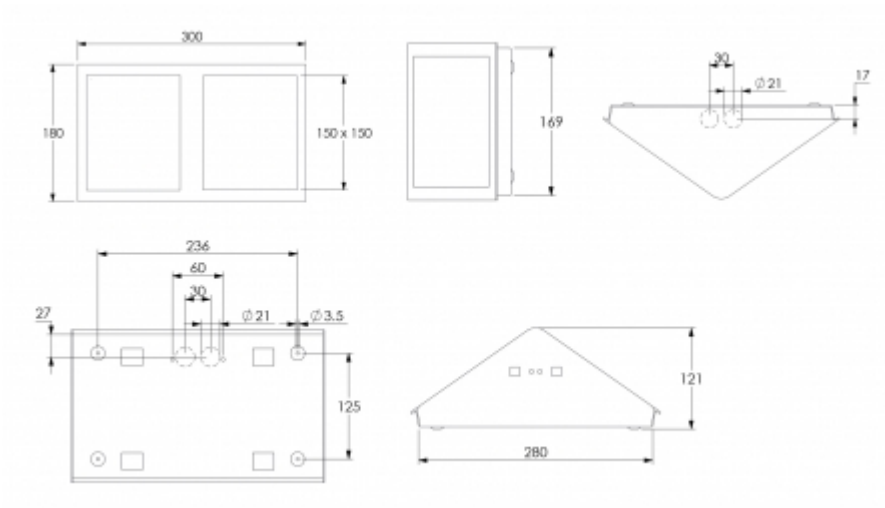


R1 distance from wall (X axis)  
 R4 distance from wall (Y axis)

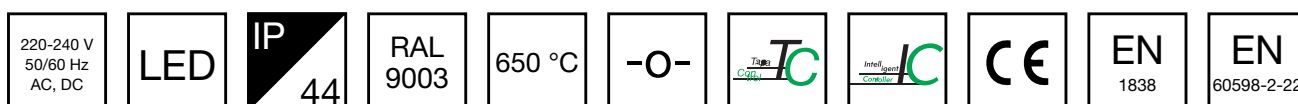
TWSA392WM

Mounting height (m)	Below the light lux	R1 (m)	R4 (m)	R1 (m)	R4 (m)
		1 lux	1 lux	0,5 lux	0,5 lux
2	9	1	1	1,2	1,2
2,5	5,5	1,1	1,1	1,4	1,3
3	3,5	1,2	1,1	1,5	1,3
4	2	1,3	1,1	1,6	1,5

ONE OR MORE OF THESE IS ALSO REQUIRED:



# FIND EMERGENCY SIGN LIGHT TWTA351WK



## Addressable 230 V centrally supplied emergency sign light

Teknoware Find is an emergency sign light that guides you to the location of fire and safety equipment. Find indicates the equipment below the light, and it has a downlight which illuminates the equipment during power outages. There are several standard pictograms, and custom-made pictograms are available on demand. The Find's frame is powder-coated steel and it has an IP44-rating.

Product Code	TWTA351WK
Feature	Intelligent Controller, Tapsa Control
Mounting (standard)	wall
GTIN Code	6438045026671
ETIM Product Class	EC001957
Length	300 mm
Width	180 mm
Height	120 mm
Weight	1.7 kg
Max Input Power VA	6,5 VA
Max Input Power W	3,5 W
Nominal Supply Voltage	220-240 V, 50/60 Hz AC, DC
Protection Class	I
IP Class	IP44
Temperature Range Min - Max	-30...+50 °C
Glow Wire Test of Plastic Materials	650 °C
Light Source	LED
Body Material	metal
Colour	RAL9003
Electrical Installation	3 x 2,5 mm <sup>2</sup>
Luminous Flux	24 lm

ONE OR MORE OF THESE IS ALSO REQUIRED:

