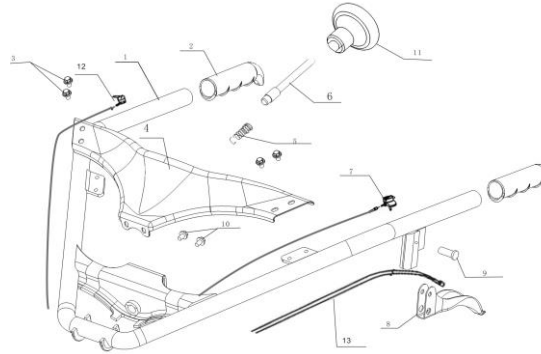
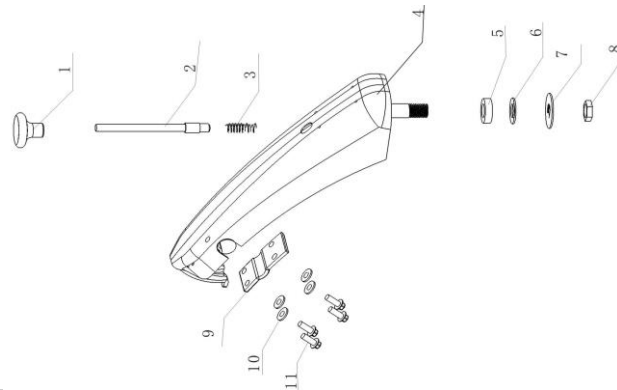


**Культиватор DDE - мотоблок V700II - DCWL4 (" Кентавр-1 ")**  
**Культиватор DDE - мотоблок V700II - H160WL4 (" Кентавр-2 ")**



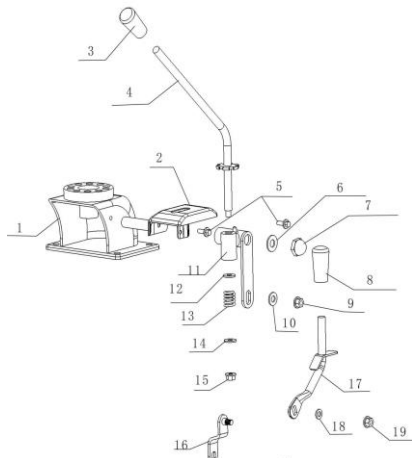
Series No.	Part Code	Chinese Name	English Name	Unit	Quantity for One Unit	Note
1	HSDS1G100.501001	扶手架	Handle Welding Assy	pcs	1	3,4,5,6,11 are included
2	HSD1G105.402001	扶手胶套	Rubber Handlebar	pcs	2	
3	GB/T5789-1986	六角法兰面螺栓M6×16	Crosshead Bolt M6x16	pcs	4	
4	HSD1G135.402001	扶手架后装饰板	Handle Rear Cover	pcs	1	
5	HSD1G100.501003	弹簧A	Spring, height Adjuster	pcs	1	
6	HSD1G100.501002	拉杆A	Height Adjustive Rod	pcs	1	
7	HSD1G100.400400	熄火开关 (含拉索)	Engine Switch with Cable	set	1	
8	HSD1G105.403002	离合手把	Clutch Handlebar	pcs	1	
9	GB/T882	B型销轴 φ 7x22	B Pin φ 7x22	pcs	1	
10	GB/T5789-1986	六角法兰面螺栓M6×16	Hexangular Nut M8x16	pcs	1	
11	HSD1G135.402024	胶手柄	Rubber Handlebar, Height Adjuster	pcs	1	
12	HSD1G100.400300	油门线	Throttle Assy with Cable	set	1	
13	HSD1G100.403020	离合线	Clutch Cable	pcs	1	

**Handle Bracket Assy**



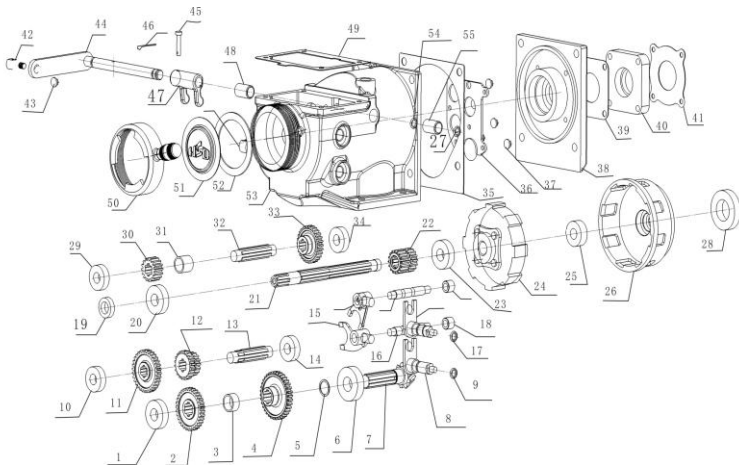
Series No.	Part Code	Chinese Name	English Name	Unit	Quantity for One Unit	Note
1	HSD1G135.402024	胶手柄	Rubber Handlebar, Direction Adjuster	pcs	1	
2	HSD1G100. 502003	拉杆B	Direction Adjustive Rod	pcs	1	
3	HSD1G100. 502004	弹簧B	Spring, Direction Adjuster	pcs	1	
4	HSD1G100. 502001	扶手臂	Handle Bracket Welding Assy	pcs	1	1,2,3,7,8,9,10,11 are included
5		推力球轴承51104	Bearing 51104	pcs	1	
6	GB/T95(取消)	大平垫圈 $\phi$ 20(取消)	Gasket $\phi$ 20(取消)	pcs	1	
7	HSD1G100. 502005	止退片	Flake, Anti back off	pcs	1	
8	GB/T6171	六角头螺母M20x1.5	Hexangular Nut M20x1.5	pcs	1	
9	HSD1G100. 502002	压板	HandleFixed Plate	pcs	1	
10	GB/T95	平垫圈 $\phi$ 8	Gasket $\phi$ 8	pcs	4	
11		六角法兰面螺栓M8x16	Hexangular Bolt M8x16	pcs	4	

### Handle Stand and Gear Shifter Assy



Series No.	Part Code	Chinese Name	English Name	Unit	Quantity for One Unit	Note
1	HSD1G100.503000	扶手座	Handle Seat Welding Assy	pcs	1	
2	HSD1G135.404003	换挡外罩	Gear Position Indication Stand	pcs	1	
3	HSD1G75.4000301	胶套	Shift Lever Rubber Cap	pcs	1	
4	HSD1G135.404010	换挡杆焊接组件	Shift Lever Welding Assy	pcs	1	5,6,7,8,9,10,11,12,13,14,15,16 are included
5	GB/T5789-1986	六角法兰面螺栓M6×16	Hexangular Bolt	pcs	2	
6	GB/T95	大平垫圈φ12	Gasket φ12	pcs	1	
7	GB/T923	盖形螺母M12	Cap Nut M12	pcs	1	
8	HSD1G75.400301	胶套	Rubber Cap	pcs	1	
9	GB923-88	盖形螺母M8	Cap Nut M8	pcs	1	
10	GB/T95	大平垫圈φ8	Gasket φ8	pcs	1	
11	HSD1G100.406002	换挡上支臂焊接组件	Upper Support Arm Welding Assy	pcs	1	
12	GB/T95-1985	大平垫圈φ12	Gasket φ12	pcs	1	
13	HSD1G100.404001	换挡杆弹簧	Spring, Shifting Lever	pcs	1	
14	GB/T95-1985	大平垫圈φ12	Gasket φ12	pcs	1	
15	GB/T6177.1	六角法兰面螺栓母M8	Hexangular Nut M8	pcs	1	
16	HSD1G100.406001	换挡下支臂焊接组件	Lower Support Arm Welding Assy	pcs	1	
17	HSD1G100.405000	正、倒档手柄	Front、Reverse Shift Lever	pcs	1	
18	GB/T95	大平垫圈φ8	Gasket φ8	pcs	1	
19	GB/T6177.1	六角法兰面螺栓母M8	Hexangular Nut M8	pcs	1	
20	GB/T95	平垫圈φ8	Gasket φ8	pcs	1	
21	GB/T6177.1	六角法兰面螺母M8	Hexangular Nut M8	pcs	1	

### Gear Box Assy

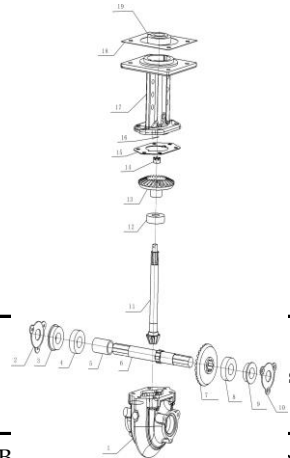


Series No.	I	English Name	Unit	Quantity for One Unit	Note

1	GB/T276	轴承6203	Bearing 6203	pcs	1	
2	HSD1G100.810206	二档齿	Second Gear	pcs	1	
3	HSD1G100.810217	从动轴套	Bush, Driven Shaft	pcs	1	
4	HSD1G100.810207	一档齿	First Gear	pcs	1	
5	GB/T894.1	轴用弹性挡圈 (d20xD18.5x1)	Circlip (d20xD18.5x1)	pcs	1	
6	GB/T276	轴承6204	Bearing 6204	pcs	1	
7	HSD1G100.810213	9:26短角齿	9:26 Short Gear	pcs	1	
8	HSD1G100.810310	U形块、连接焊接组件	Connecting Welding Assy, U shape	pcs	1	
9	GB/T3452.1	O形圈 $\Phi$ 9x2.65	O-ring Filter $\Phi$ 9x2.65	pcs	1	
10	GB/T276	深沟球轴承6202	Bearing 6202	pcs	1	
11	HSD1G100.810202	副轴过齿	Gear,Subshaft	pcs	1	
12	HSD1G100.810205	一、二档双联齿	Compound Gear, First、Second Gear	pcs	1	
13	HSD1G100.810209	副轴	Subshaft	pcs	1	
14	HSD1G100.810202	副轴过齿	Gear, Subshaft	pcs	1	
15	HSD1G100.810303	一、二档拨叉	Shifting Fork	pcs	1	
16	HSD1G100.810304	一、二档拨叉轴	Axle, Shifting Fork	pcs	1	
17	GB/T3452.1	O形圈 $\Phi$ 9x2.65	O-ring Filter $\Phi$ 9x2.65	pcs	1	
18	HSD1G100.810219	拨叉轴套	Shaft Housing, Shifting Fork	pcs	1	
19	GB/T9877.1	油封 $\Phi$ 28x $\Phi$ 17x7	Seal $\Phi$ 28x $\Phi$ 17x7	pcs	1	
20	GB/T276	轴承6203	Bearing 6203	pcs	1	
21	HSD1G100.810216	主轴	Active Shaft	pcs	1	
22	HSD1G100.810201	正、倒档双联齿	Compound Gear,Front、Reverse Gear	pcs	1	
23	GB/T276	深沟球轴承6203	Bearing 6203	pcs	1	
24	HSD1G100.820011	离合器芯	Inner Core of Clutch	pcs	1	
25	GB/T276	轴承6202	Bearing 6202	pcs	1	
26	HSD1G100.820012	离合器外罩	Outer Housing of Clutch	pcs	1	
27	GB/T894.1	轴用弹性挡圈 d14	Elasticity Cushion (d14xD12.9x1)	pcs	1	
28	GB/T276	轴承6006	Bearing 6006	pcs	1	
29	GB/T276	轴承6202	Bearing 6202	pcs	1	
30	HSD1G100.810204	倒档过齿	Gear, Reverse	pcs	1	
31	HSD1G100.810218	倒档轴套	Bush, Reverse Shaft	pcs	1	
32	HSD1G100.810210	驱动轴	Drive Shaft	pcs	1	
33	HSD1G100.810203	倒档齿	Reverse Gear	pcs	1	
34	GB/T276	轴承6202	Bearing 6202	pcs	1	
35	HSD1G100.830020	法兰盘纸垫	Paper Gasket	pcs	1	
36	HSD1G100.810105	轴承压板	Bearing Retainer	pcs	1	
37	GB/T5783	六角螺栓M10×30	Hexangular Nut Mx16	pcs	1	
38	HSD1G100.810104	法兰盘	Flange	pcs	1	

39	HSD1G100.830014	动力输出端面纸垫	Paper Gasket	pcs	1	
40	HSD1G100.810106	法兰盘垫板	Paper Gasket for Flange	pcs	1	
41	HSD1G100.830014	纸垫	Paper Gasket	pcs	1	
42	HSD1G100.810312	离合拉索外管固定座	Clutch Rope Seat	pcs	1	
43	GB/T6170	六角头螺母M8	Hexangular Nut M8	pcs	1	
44	HSD1G100.810300	离合支臂	Clutch Stand Arm Welding Assy	pcs	1	
45	GB/T882	B型销轴 $\phi$ 6x28	B Pin Shaft $\phi$ 10x30	pcs	1	
46	GB/T91	开口销 $\phi$ 2*20	Pin $\phi$ 20	pcs	1	
47	HSD1G100.810301	离合拨叉	Clutch Fork	pcs	1	
48	HSD1G100.810215	离合衬套	Clutch Bush	pcs	1	
49	HSD1G100.830015	扶手座纸垫	Paper Gasket	pcs	1	
50	HSD1G135.810110	锁紧盘组件	Lock Disk Assy	pcs	1	
51	HSD1G135.810103	水泵防尘盖	Dust Protector	pcs	1	
52	HSD1G135.810104	调节垫圈	Adjust Gasket	pcs	1	
53	HSD1G100.810101	上牙箱	Upper Gear Box	pcs	1	
54	GB/T3452.1	O形圈 $\phi$ 9x2.65	O Ring $\phi$ 10x2.65	pcs	1	
55	HSD1G100.810215	离合衬套	Clutch Bush	pcs	1	

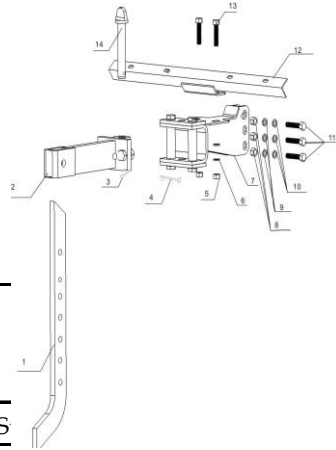
### Transmission Box Assy



Series No.	Part Code	Chinese Name	sh Name	Unit	Quantity for One Unit	Note
1	HSD1G100.810103	下牙包	BOTTOM OF TRANSMISSION BOX	pcs	1	
2	HSD1G80.370403	防尘盖	Cover Board, Dustproof	pcs	1	
3	GB/T9877.1	油封 $\phi$ 52x $\phi$ 25	Seal $\phi$ 52x $\phi$ 25	pcs	1	
4	GB/T276	深沟球轴承6205	Bearing 6205	pcs	2	

5	HSD1G100.810220	六方输出轴衬套	Bush, Hexangular Shaft	pcs	1	
6	HSD1G100.810208	六方输出轴	Hexangular Shaft	pcs	1	
7	HSD1G100.810212	9:26无柄盘齿	9:26 Cone Bevel Gear	pcs	1	
8	GB/T276	深沟球轴承6205	Bearing 6205	pcs	1	
9	GB/T9877.1	油封 $\Phi 41 \times \Phi 25$	Seal $\Phi 41 \times \Phi 25$	pcs	1	
10	HSD1G80.370403	防尘盖	Cover Board, Dustproof	pcs	1	
11	HSD1G100.810214	9:26长角齿	9:26 Bevel Gear with Shaft	pcs	1	
12	GB/T297	圆锥滚子轴承30204	Bearing 30304	pcs	1	
13	HSD1G100.810211	9:26带柄盘齿	9:26 Cone Bevel Gear	pcs	1	
14	GB/T6178	六角开槽螺母M12	Nut with Slot M12	pcs	1	
15	HSD1G100.830011	立管下端面纸垫 (厚0.5mm)	Paper Gasket	pcs	1	
16	GB/T91	开口销 $\Phi 2.5 \times 25$	Pin $\Phi 2.0$	pcs	1	
17	HSD1G100.810102	立管	Upper Transmission Box	pcs	1	
18	HSD1G100.830012	立管上端面纸垫	Paper Gasket	pcs	1	
19	GB/T297	圆锥滚子轴承30206	Bearing 30206	pcs	1	

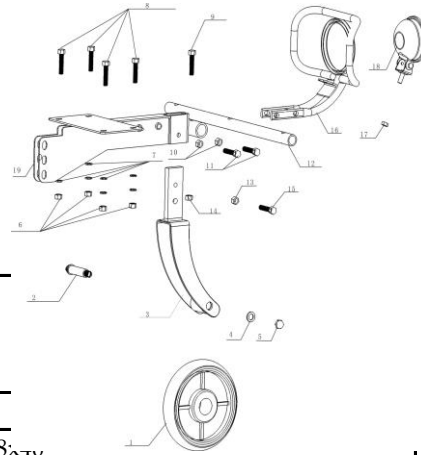
### Dragging and Hanging Section



Series No.	Part Code	Chinese Name		Unit	Quantity for One Unit	Note
1	HSD1G105.302001	L式阻力耕刀	Resistance S	pcs	1	
2	HSD1G105.302020-A	连接架	Connecting Frame	pcs	1	
3	GB/T91	B形开口销 $\Phi 2.0$	B Type Pin $\Phi 2.0$	pcs	1	
4	GB/T882	B型销轴 $\Phi 10 \times 35$	B Type Pin Shaft $\Phi 10 \times 35$	pcs	1	
5	GB/T6170	六角头螺母M10	Hexangular Nut M10	pcs	2	
6	GB/T95	平垫圈 $\Phi 10$	Gasket $\Phi 10$	pcs	2	

7	HSD1G100.404000	拖挂体	Dragging Welding Assy	pcs	1	
8	GB/T6170	六角头螺母M10	Hexangular Nut M10	pcs	3	
9	GB/T93	弹簧垫圈 φ 10	Spring Cushion φ 10	pcs	3	
10	GB/T95	平垫圈 φ 10	Flat Cushion φ 10	pcs	3	
11	GB/T5783	六角头螺栓M10x30	Hexangular Bolt M10x30	pcs	3	
12	HSD1G100.421003	挡泥板后支架	Back Frame Assy, Mud Defender	pcs	1	
13	GB/T5783	六角头螺栓M10x25	Hexangular Bolt M10x25	pcs	2	
14	HSD1G105.302011-A	拖挂体插销	Big Pin	pcs	1	

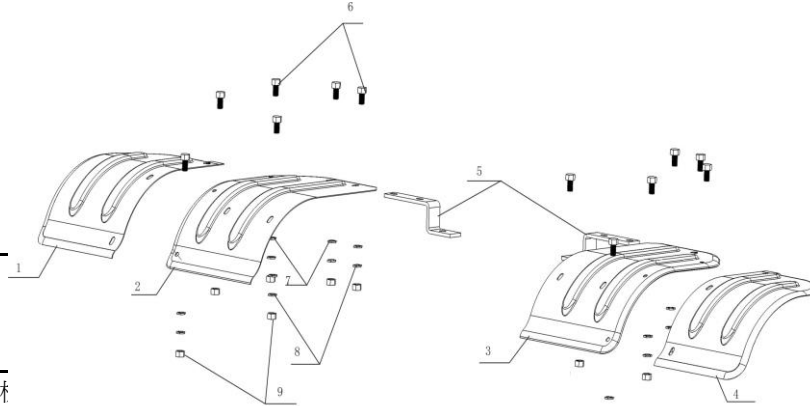
### Engine Bracket Assy



Series No.	Part Code	Chinese Name		Unit	Quantity for One Unit	Note
1	HSD1G100.220603	行走轮	Front Wheel	pcs	1	
2	GB/T5783-2000	六角法兰面螺栓M12x70	Hexangular Bolt M8x70	pcs	1	
3	HSD1G100.220600	行走轮支架组件	Frame Assy, Front Wheel	pcs	1	
4	GB/T93-1987	平垫 φ 12	Gasket φ 12	pcs	1	
5	GB/T6187	锁紧螺母M12	Cap Nut M12	pcs	1	
6	GB/T6177.1-2000	六角法兰面螺母M8	Hexangular Nut M10	pcs	4	
7	GB/T95-1985	平垫 φ 8	Gasket φ 10	pcs	4	
8	GB/T5789-1986	六角头螺栓M8x40	Hexangular Bolt M10x30	pcs	4	
9	GB/T5789-1986	六角法兰面螺栓M8x50	Flange Bolt M8x50	pcs	1	
10	GB/T6177.1-2000	六角法兰面螺母M8	Flange Nut M8	pcs	2	
11	GB/T5789-1986	六角法兰面螺栓M8x50	Flange Bolt M8x50	pcs	2	
12	HSD1G100.407001	刀杆	Bumper	pcs	1	
13	GB/T5789-1986	六角法兰面螺母M10x35	Flange Nut M10x35	pcs	1	
14	GB/T6177.1-2000	六角法兰面螺母M8	Flange Nut M8	pcs	1	
15	GB/T5783-2000	六角头螺栓M10x35	Hexangular Bolt M10x35	pcs	1	
16	HSD1G100.500100	灯架	Lamp Bracket Welding Assy	pcs	1	

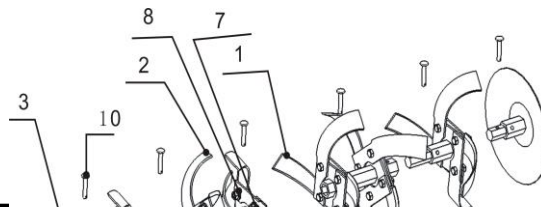
17	GB/T6175-2000	六角头螺母M8	Hexangular Nut M8	pcs	1	
18	HSD1G100.400510	电灯组件	Lamp	pcs	1	
19	HSD1G100.410000	动力支撑架	Engine Braket Assy	pcs	1	

### Fender Assy

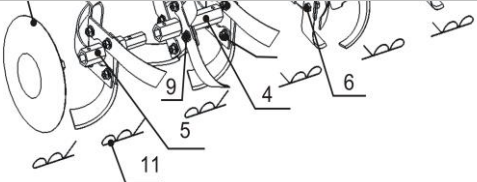


Series No.	Part Code			Unit	Quantity for One Unit	Note
1	HSD1G135.401001	左副挡泥板		pcs	1	
2	HSD1G100.421002	左主挡泥板		pcs	1	
3	HSD1G100.421001	右主挡泥板	Main Mud Defender (R)	pcs	1	
4	HSD1G135.401002	右副挡泥板	Mud Defender (R)	pcs	1	
5	HSD1G100.421004	挡泥板前支架	Front Frame, Mud Defender	pcs	2	
6	GB/T5787	六角法兰面螺栓M6x16	Flange Bolt M6x16	pcs	14	
7	GB/T95-1985	平垫圈φ6	Gasket φ6	pcs	14	
8	GB/T93-1987	弹簧垫圈φ6	Spring Gasket φ6	pcs	14	
9	GB/T6177.1	六角法兰面螺母M6	Flange Nut M6	pcs	14	

### Rotary Blade Assy





Series No.	Part Code	Chinese Name		Unit	Quantity for One Unit	Note	
1	HSD1G75.760101	(3-4) 左旱地直刀片		pcs	12		
2	HSD1G75.760201	(3-4) 右旱地直刀片		pcs	12		
3	HSD1G75.760300	修边轮		Bolt SR8×18	pcs	2	
4	HSD1G100.763010	主刀筒		Right Outside Blade Holder CoSRp	pcs	2	
5	HSD1G100.763020	副刀筒		Right Inside Blade Holder CoSRp	pcs	2	
6	GB/T5783	六角螺栓 M8×25		Pin Spindle	pcs	24	
7	GB/T93	弹垫 8		Garter SpringE	pcs	24	
8	GB/T95	平垫 8		Rotary blade B	pcs	24	
9	GB/T6170	六角螺母 M8		Rotary Blade A	pcs	24	
10	GB/T882	B型销轴 8×40		Left Side Disc	pcs	6	
11	HSD1G75.320105	β型开口销 φ2×9×38		Left Outside Blade Holder CoSRp	pcs	6	

Wheel Assy



Series No.	Part Code	Chinese Name	Note	Unit	Quantity for One Unit	Note
	HSD1G105.341001	4.00-8内轮胎				
	HSD1G105.342001	4.00-8外轮胎				
	HSD1G105.340020	4.00-8外胎				
	HSD1G105.340030	4.00-8内胎				
	GB/T5783	六角螺栓M10×20				
	GB/T5783	六角螺栓M10×25				
	GB/T95	平垫 10				
	GB/T93	弹垫 10				
	GB/T6170	六角螺母M10				