

TRISPOT TWT75 & TWT76

COMPACT, RECESS MOUNTED LED EMERGENCY LIGHT,
RECESS MOUNTING APERTURE \varnothing 60 MM



EMERGENCY LIGHT FOR HIGH MOUNTING TWT75XX EMERGENCY LIGHT FOR LOW AND OPEN AREAS TWT76XX

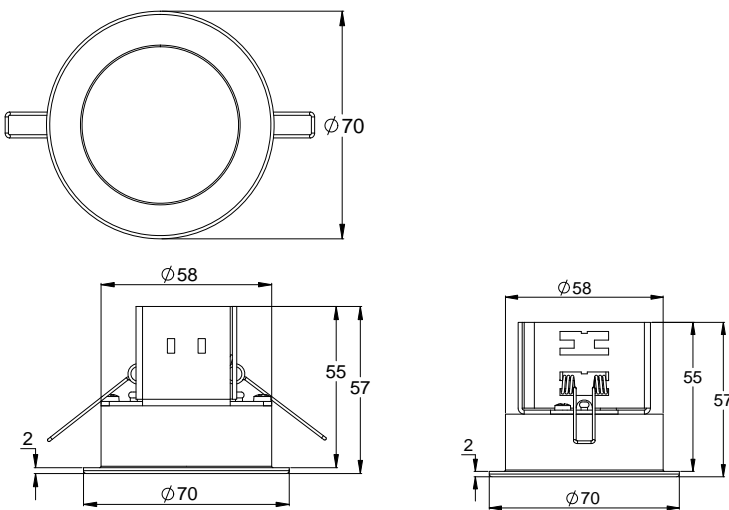


Trispot LED emergency light is compact and stylish. It has a machined and anodized aluminium body, which gives a special exemplary appearance.

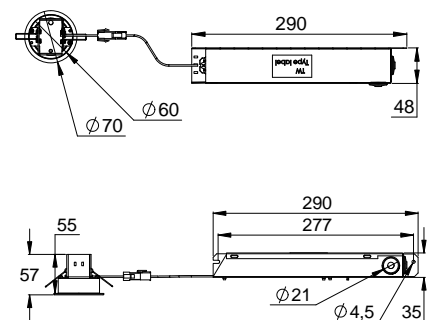
TWT75 is designed to illuminate particularly high areas. It uses the latest LED technology. The luminaires lighting pattern illuminates open areas effectively and allows for a high installation height.

Low areas and open spaces suit TWT76, whose optics are designed to provide a broad and uniform light pattern.

DIMENSIONS



| Aperture for mounting \varnothing 60 mm



| Length of the cable 450 mm

- ⊕ = Protection class of luminaire is 1
- ⊕ = Protection class of luminaire is 2
- ⊕ = Protection class of luminaire is 3
- ⊕ = Luminaire is suitable for through-wiring
- IP20 = Protection rating
- White = Colour of the body
- 3000 = Viewing distance
- LED = LED as a light source
- Aalto = Aalto Control compatible (incl. Lumi Test)
- M = Self-contained luminaire with Lumi test self-testing
- Escap = Self-contained luminaire with 1 h super capacitor backup
- C = Compatible with Tapsa Control Central Battery Unit and Local Controller
- 850 = compliant with the 850 glow wire test
- IC = Compatible with Intelligent Controller
- CBS = Centrally supplied

CENTRALLY SUPPLIED LUMINAIRES

ADDRESSABLE 230 V CENTRALLY SUPPLIED EMERGENCY LIGHTS

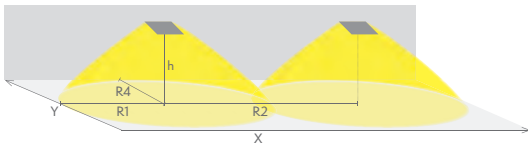


Product code	Nominal supply voltage	Max input power	Luminous flux (lm)	Operation mode	Temperature range	Electrical installation	Weight (kg)
TWT7551WK	220-240 V, 50/60 Hz AC,DC	15,3 VA / 9,5 W	350	CBS / C	-30...+50°C	3 x 2,5 mm ² -0- ⊕	0,4
Y7551WK	(individually packed incl. TWT7551WK)						0,5
TWT7651WK	220-240 V, 50/60 Hz AC,DC	15,3 VA / 9,5 W	360	CBS / C	-30...+50°C	3 x 2,5 mm ² -0- ⊕	0,4
Y7651WK	(individually packed incl. TWT7651WK)						0,5

LIGHT DISTRIBUTION TABLES

Emergency lighting for escape routes (ceiling mounting)

Table of 1 lux for escape routes in the middle line according to the norm EN 1838.
Level of measurement 0,02 m, measurement result with battery operation.



R1 distance from wall (X axis)
R2 installation distance between lights (X axis)
R4 distance from wall (Y axis)

TWT7551WK

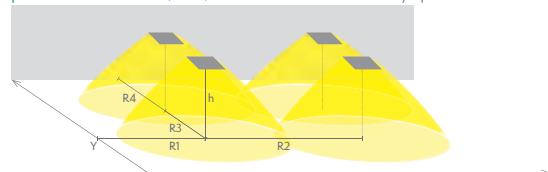
Mounting height (m)	Below the light (lux)	R1 (m)	R2 (m)	R4 (m)
		1 lux	1 lux	1 lux
2,5	240	2,5	6	2,5
4	95	3,5	9	3,5
6	42	4,5	11	4,5
8	23	6	13	6
10	15	5	14	5

TWT7651WK

Mounting height (m)	Below the light (lux)	R1 (m)	R2 (m)	R4 (m)
		1 lux	1 lux	1 lux
2,5	25	4,5	10	4,5
4	10	4,5	12	4,5
6	4,5	5	14	5
8	2,5	5	14	5

Emergency lighting for open areas (ceiling mounting)

Table of 0,5 lux for open areas according to the norm EN 1838.
0,5 m edge district is considered in the table.
Level of measurement 0,02 m, measurement result with battery operation.



R1 distance from wall (X axis)
R2 installation distance between lights (X axis)
R3 installation distance between lights (Y axis)
R4 distance from wall (Y axis)

TWT7551WK

Mounting height (m)	Below the light (lux)	R1 (m)	R2 (m)	R3 (m)	R4 (m)
		0,5 lux	0,5 lux	0,5 lux	0,5 lux
2,5	240	2,5	4	4	2,5
4	95	3,5	7	7	3,5
6	42	4,5	8	8	4,5
8	23	5,5	10	10	5,5
10	15	5,5	11	11	5,5
12	10	6	12	12	6
14	8	7,5	13	13	7,5
16	6	8	14	14	8
18	5	8	14	14	8
20	4	8	14	14	8

TWT7651WK

Mounting height (m)	Below the light (lux)	R1 (m)	R2 (m)	R3 (m)	R4 (m)
		0,5 lux	0,5 lux	0,5 lux	0,5 lux
2,5	25	4	7	7	4
4	10	5	9	9	5
6	4,5	6	11	11	6
8	2,5	6	10	10	6