

Instructions for setting up the SWR/PWR meter with Wi-Fi interface

You need use Internet Explorer, Firefox or Google Chrome.

- Required power supply – microUSB 5V 1A
- Range - up to 30m when using an entry-level wi-fi router
- Housing – Gainta G0479
- Full-scale power level – from 20 to 1000 Watt
- Frequency range – from 1 to 30MHz
- Measuring power – PEP (Peak envelope power)
- AP ID – «SWRmeter_sn____»
- Password – «1234567890»
- IP address in AP «SWRmeter_sn____»– 192.168.4.1

Links for access:

192.168.4.1/wifi – wifi settings

192.168.4.1/swr – page with swr/pwr meter.

192.168.4.1 – start page

Before you start setting up, your router must have DHCP enabled!

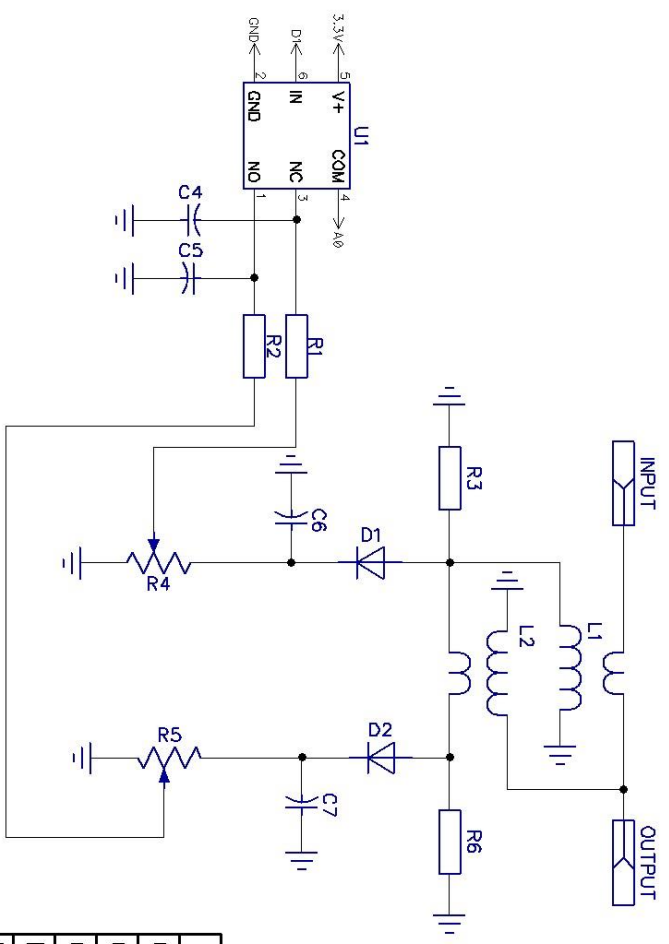
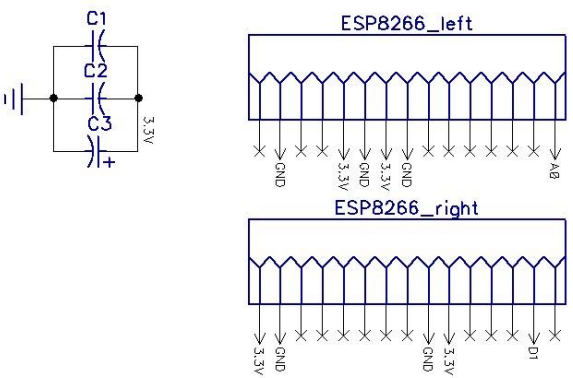
When you first turn on, you need to connect the controller to your WI-FI network. To do this, you must search for available networks on your smartphone or computer. The swr/pwr meter creates a network "SWRmeter_sn____" password "1234567890".

After connecting the network, go to the web browser at "http://192.168.4.1/wifi". A window with wifi settings will open. You must enter the name and password of your network and click "Connect / Disconnect"

After successfully connecting to your network, the access point «SWRmeter_sn____» will automatically turn off and the device will receive the IP address of your network. Further, to access the device's web server, use the IP address issued by your wifi router.

More information on the web-site www.ra0sms.ru

Power and SWR meter with WI-FI interface



L1,L2 - 30 turns core FT82-43

RefDes	Value	Name
C1,C6,C7	10n	SMD0805
C2,C4,C5	100n	SMD0805
C3	220u	16V
D1,D2	1N5711	
R1,R2	1k	SMD0805
R3,R6	51	2W
R4,R5	10k	3296W
U1	TS5A3159	