

# SAFE 82

LED EMERGENCY LIGHT WITH AN INSTALLATION HEIGHT OF UP TO 20 M,  
CEILING AND WALL MOUNTING AS STANDARD

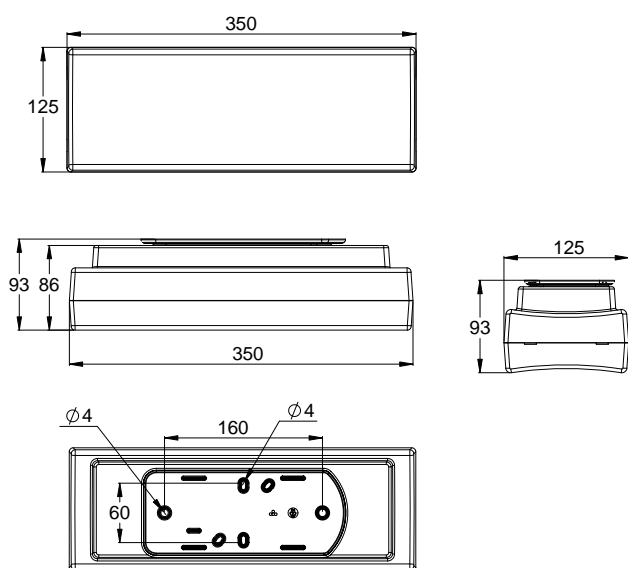


SAFE 82 is a high ceiling area LED emergency light, with ceiling and wall mounting as standard. SAFE 82 can be installed at a height of 4-20 meters.

SAFE 82 is particularly easy and quick to install thanks to a separate mounting plate.

SAFE 82 family of luminaires are splash water proof and suitable for damp areas and, for example, parking halls and outdoor roofed shelters.

## DIMENSIONS



- ⊕ = Protection class of luminaire is 1
- ⊕ = Protection class of luminaire is 2
- ⊕ = Protection class of luminaire is 3
- ⊕ = Luminaire is suitable for through-wiring
- IP20 = Protection rating
- White = Colour of the body
- 3000K = Viewing distance
- LED = LED as a light source
- Aalto = Aalto Control compatible (incl. Lumi Test)
- M = Self-contained luminaire with Lumi test self-testing
- Escap = Self-contained luminaire with 1 h super capacitor backup
- C = Compatible with Tapsa Control Central Battery Unit and Local Controller
- 850 = compliant with the 850 glow wire test
- IC = Compatible with Intelligent Controller
- CBS = Centrally supplied

## CENTRALLY SUPPLIED LUMINAIRES

### 230V CENTRALLY SUPPLIED EMERGENCY LIGHTS

Product code	Nominal supply voltage	Max input power	Luminous flux (lm)	Operation mode	Temperature range	Electrical installation	Weight (kg)
TWT8251WH	220-240 V, 50/60 Hz AC,DC	16 VA / 14 W	1005	CBS	-30... +50°C	3 x 2,5 mm <sup>2</sup> -o-	0,9
Y8251WH	(individually packed incl. TWT8251WH)						

### ADDRESSABLE 230 V CENTRALLY SUPPLIED EMERGENCY LIGHTS

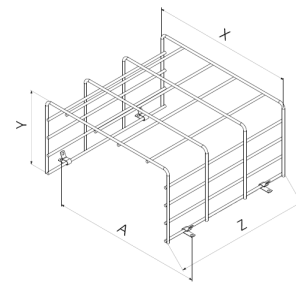


Product code	Nominal supply voltage	Max input power	Luminous flux (lm)	Operation mode	Temperature range	Electrical installation	Weight (kg)
TWT8251WKH	220-240 V, 50/60 Hz AC,DC	17 VA / 15 W	1005	CBS / C	-30... +50°C	3 x 2,5 mm <sup>2</sup> -o-	0,9
Y8251WKH	(individually packed incl. TWT8251WKH)						

### ACCESSORIES

Product code	Product description
TW77508B	Shock protecting covers (dims: X=220, Y=120, Z=305, A=240)

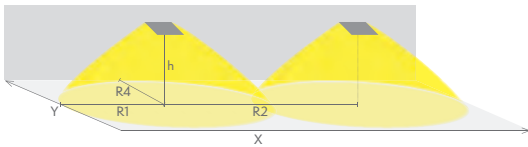
SHOCK PROTECTING COVER TW77508B



### LIGHT DISTRIBUTION TABLES

#### Emergency lighting for escape routes (ceiling mounting)

Table of 1 lux for escape routes in the middle line according to the norm EN 1838. Level of measurement 0,02 m, measurement result with battery operation.



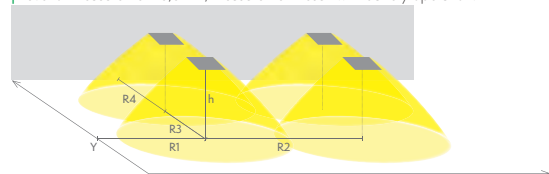
R1 distance from wall (X axis)  
R2 installation distance between lights (X axis)  
R4 distance from wall (Y axis)

TWT8251WH, TWT8251WKH

Mounting height (m)	Below the light (lux)	R1 (m)	R2 (m)	R4 (m)
		1 lux	1 lux	1 lux
4	32	8	18	6,5
6	14	9	22	8,5
8	8	9	24	8,5
10	5	9	24	8

#### Emergency lighting for open areas (ceiling mounting)

Table of 0,5 lux for open areas according to the norm EN 1838. 0,5 m edge district is considered in the table. Level of measurement 0,02 m, measurement result with battery operation.



R1 distance from wall (X axis)  
R2 installation distance between lights (X axis)  
R3 installation distance between lights (Y axis)  
R4 distance from wall (Y axis)

TWT8251WH, TWT8251WKH

Mounting height (m)	Below the light (lux)	R1 (m)	R2 (m)	R3 (m)	R4 (m)
		0,5 lux	0,5 lux	0,5 lux	0,5 lux
4	32	10,2	14	14	7,5
6	14	11,7	16	16	8,5
8	8	13,2	16	16	8,5
10	5	13,2	16	16	8,5
12	3	13,2	16	16	8,5
14	2,5	13,2	16	16	8,5
16	2	10	14	14	7
18	1,5	8	12	12	6
20	1	7	8	8	5