



Slimspot II is a recessed **emergency light** that is effective and seamless. It has an elegant and minimalist appearance, so it blends in with the surroundings and architecture.

Slimspot II



Teknoware Slimspot II is an effective and seamless emergency light.

Slimspot II is a recessed emergency light that is effective and seamless. It has an elegant and minimalist appearance, so it blends in with the surroundings and architecture. The broad Slimspot II product family and range of optics offers many options to suit a variety of applications and systems. Slimspot II is designed for indoor lighting, and it has durable metal framing. The standard colour of the luminaire is white. On request, it is also possible to order Slimspot II in black and grey to match the surrounding environment.

Please notice that Slimspot II always consists of two units: luminaire and a separated electronic unit, 900mm supply cable between the units also includes.

Elegant

Minimalistic and classical style, with a clear look.

Designed for the Indoor Lighting

Frame is durable metal and it has an IP20-rating.

Square or Round

Choose the look that best suits your use.

Wide Range of Optics

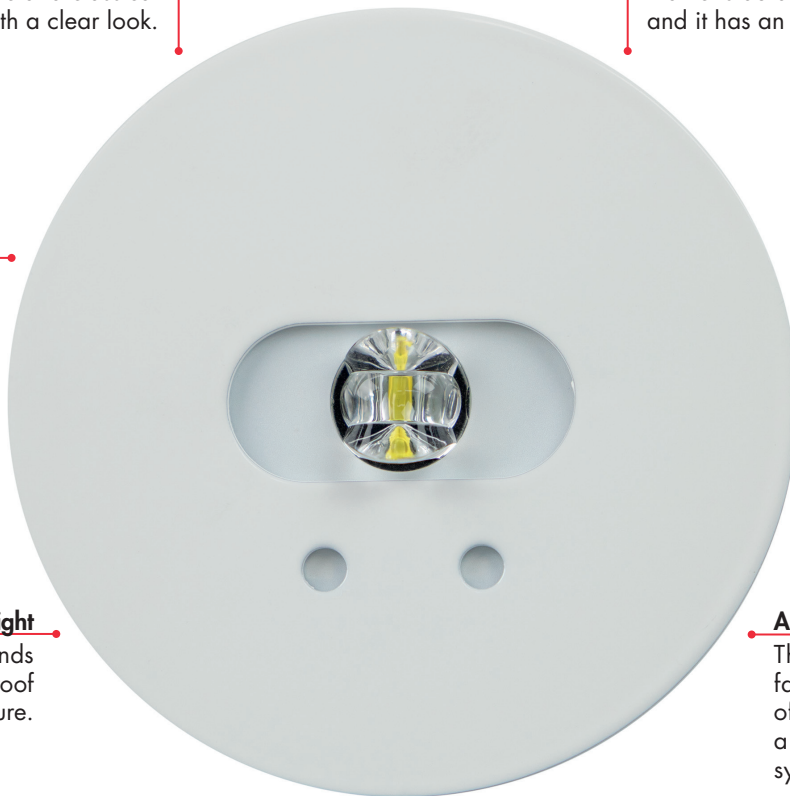
Optimal emergency lighting for open areas and escape routes from up to 10 meter's high areas.

Seamless Emergency Light

Recessed, so it blends seamlessly into the roof structure.

A Comprehensive Product Family

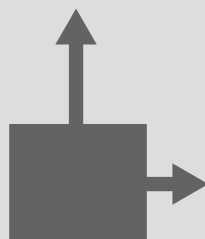
The broad Slimspot II product family and range of optics offers many options to suit a variety of applications and systems.



FACTS IN BRIEF



SMALL AND SEAMLESS



PHASE CONTROL IN P-MODELS



A COMPREHENSIVE PRODUCT FAMILY



A WIDE RANGE OF OPTICS

Luminaires Selection Tables

Self-contained luminaires	Round shape				Square shape			
	Escape route		Open area		Escape route		Open area	
	Lowbay	Midbay	Lowbay	Midbay	Lowbay	Midbay	Lowbay	Midbay
1 h super capacitor and self-testing	TWS6192WM TWS6192WM4*	TWS1192WM TWS1192WM4*	TWS6392WM TWS6392WM4*	TWS1292WM TWS1292WM4*	TWSA192WM TWSA192WM4*	TWSA492WM TWSA492WM4*	TWSA292WM TWSA292WM4*	TWSA592WM TWSA592WM4*
1 h super capacitor and self-testing with extra light output			TWS6392WMC TWS6392WM5*	TWS1292WMC TWS1292WM5*			TWSA292WMC TWSA292WM5*	TWSA592WMC TWSA592WM5*
1 h super capacitor and wireless central monitoring	TWS6192WA TWS6192WA4*	TWS1192WA TWS1192WA4*	TWS6392WA TWS6392WA4*	TWS1292WA TWS1292WA4*	TWSA192WA TWSA192WA4*	TWSA492WA TWSA492WA4*	TWSA292WA TWSA292WA4*	TWSA592WA TWSA592WA4*
1 h super capacitor and wireless central monitoring with extra light output			TWS6392WAC TWS6392WA5*	TWS1292WAC TWS1292WA5*			TWSA292WAC TWSA292WA5*	TWSA592WAC TWSA592WA5*
1 h battery and self-testing	TWT6152WM	TWT1152WM	TWT6352WM	TWT1252WM	TWTA152WM	TWTA452WM	TWTA252WM	TWTA552WM
3 h battery and self-testing	TWT6153WM	TWT1153WM	TWT6353WM	TWT1253WM	TWTA153WM	TWTA453WM	TWTA253WM	TWTA553WM
1 h battery and wireless central monitoring	TWT6152WA	TWT1152WA	TWT6352WA	TWT1252WA	TWTA152WA	TWTA452WA	TWTA252WA	TWTA552WA
3 h battery and wireless central monitoring	TWT6153WA	TWT1153WA	TWT6353WA	TWT1253WA	TWTA153WA	TWTA453WA	TWTA253WA	TWTA553WA

*Note the casing of the electronic unit. See the dimensions on page 15.

Centrally supplied luminaires	Round shape				Square shape			
	Escape route		Open area		Escape route		Open area	
	Lowbay	Midbay	Lowbay	Midbay	Lowbay	Midbay	Lowbay	Midbay
24 V - 230 V	TWT6171W	TWT1171W	TWT6371W	TWT1271W	TWTA171W	TWTA471W	TWTA271W	TWTA571W
24 V addressable	TWT6141WK	TWT1141WK	TWT6341WK	TWT1241WK	TWTA141WK	TWTA441WK	TWTA241WK	TWTA541WK
230 V addressable	TWT6151WK	TWT1151WK	TWT6351WK	TWT1251WK	TWTA151WK	TWTA451WK	TWTA251WK	TWTA551WK
230 V addressable with high output				TWT1351WK				
230 V addressable with phase monitoring		TWT1151WKP		TWT1251WKP				
230 V addressable phase monitoring with high output				TWT1351WKP				

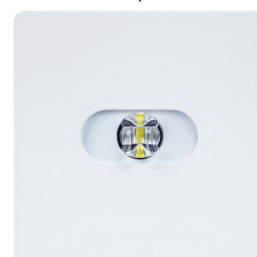
Round shape for escape route



Round shape for open area



Square shape for escape route



Square shape for open area



Centrally Supplied Luminaires

24-230 V Centrally Supplied Emergency Lights

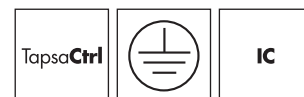
Shape	Product code	Nominal supply voltage	Max input power (VA)	Max input power (W)	Luminous flux (lm)	Operation mode	Temperature range (°C)	Electrical installation (mm ²)	Protection class	Weight (kg)
●	TWT6171W	24-230 V, 50/60 Hz AC, DC	7.5 (24 V), 11 (230 V)	4 (24 V), 4 (230 V)	180	CBS	-30...+50	2 x 2,5 (24 V), 3 x 2,5 (230 V)	3 1	0,4
■	TWTA171W	24-230 V, 50/60 Hz AC, DC	7.5 (24 V), 11 (230 V)	4 (24 V), 4 (230 V)	180	CBS	-30...+50	2 x 2,5 (24 V), 3 x 2,5 (230 V)	3 1	0,4
●	TWT1171W	24-230 V, 50/60 Hz AC, DC	7.5 (24 V), 11 (230 V)	4 (24 V), 4 (230 V)	230	CBS	-30...+50	2 x 2,5 (24 V), 3 x 2,5 (230 V)	3 1	0,4
■	TWTA471W	24-230 V, 50/60 Hz AC, DC	7.5 (24 V), 11 (230 V)	4 (24 V), 4 (230 V)	230	CBS	-30...+50	2 x 2,5 (24 V), 3 x 2,5 (230 V)	3 1	0,4
●	TWT6371W	24-230 V, 50/60 Hz AC, DC	7.5 (24 V), 11 (230 V)	4 (24 V), 4 (230 V)	200	CBS	-30...+50	2 x 2,5 (24 V), 3 x 2,5 (230 V)	3 1	0,4
■	TWTA271W	24-230 V, 50/60 Hz AC, DC	7.5 (24 V), 11 (230 V)	4 (24 V), 4 (230 V)	200	CBS	-30...+50	2 x 2,5 (24 V), 3 x 2,5 (230 V)	3 1	0,4
●	TWT1271W	24-230 V, 50/60 Hz AC, DC	7.5 (24 V), 11 (230 V)	4 (24 V), 4 (230 V)	230	CBS	-30...+50	2 x 2,5 (24 V), 3 x 2,5 (230 V)	3 1	0,4
■	TWTA571W	24-230 V, 50/60 Hz AC, DC	7.5 (24 V), 11 (230 V)	4 (24 V), 4 (230 V)	230	CBS	-30...+50	2 x 2,5 (24 V), 3 x 2,5 (230 V)	3 1	0,4



Addressable 24 V Centrally Supplied Emergency Lights

Shape	Product code	Nominal supply voltage	Max input power (VA)	Max input power (W)	Luminous flux (lm)	Operation mode	Temperature range (°C)	Electrical installation (mm ²)	Weight (kg)
●	TWT6141WK	24 V, 50/60 Hz AC, DC	3	3,0	180	CBS / TapsaCtrl	-30...+50	2 x 2,5	0,4
■	TWTA141WK	24 V, 50/60 Hz AC, DC	3	3,0	180	CBS / TapsaCtrl	-30...+50	2 x 2,5	0,4
●	TWT1141WK	24 V, 50/60 Hz AC, DC	3	3,0	230	CBS / TapsaCtrl	-30...+50	2 x 2,5	0,4
■	TWTA441WK	24 V, 50/60 Hz AC, DC	3	3,0	230	CBS / TapsaCtrl	-30...+50	2 x 2,5	0,4
●	TWT6341WK	24 V, 50/60 Hz AC, DC	3	3,0	200	CBS / TapsaCtrl	-30...+50	2 x 2,5	0,4
■	TWTA241WK	24 V, 50/60 Hz AC, DC	3	3,0	200	CBS / TapsaCtrl	-30...+50	2 x 2,5	0,4
●	TWT1241WK	24 V, 50/60 Hz AC, DC	3	3,0	230	CBS / TapsaCtrl	-30...+50	2 x 2,5	0,4
■	TWTA541WK	24 V, 50/60 Hz AC, DC	3	3,0	230	CBS / TapsaCtrl	-30...+50	2 x 2,5	0,4

Centrally Supplied Luminaires



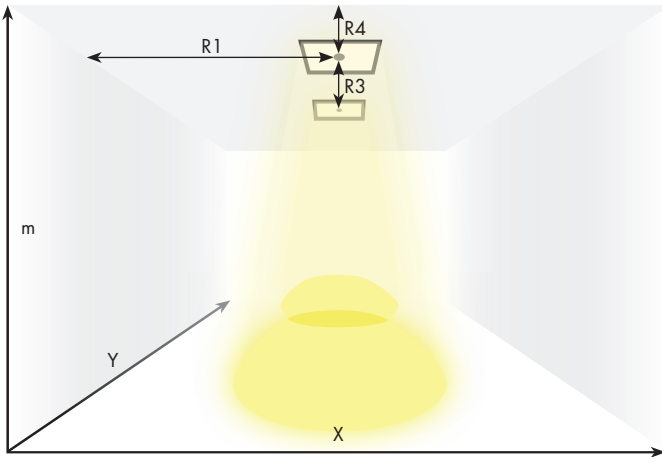
Addressable 230 V Centrally Supplied Emergency Lights

Shape	Product code	Nominal supply voltage	Max input power (VA)	Max input power (W)	Luminous flux (lm)	Operation mode	Temperature range (°C)	Electrical installation (mm ²)	Weight (kg)
●	TWT6151WK	220-240 V, 50/60 Hz AC, DC	10	5,5	180	CBS / TapsaCtrl + IC	-30...+50	3 x 2,5	0,4
■	TWTA151WK	220-240 V, 50/60 Hz AC, DC	10	5,5	180	CBS / TapsaCtrl + IC	-30...+50	3 x 2,5	0,4
●	TWT1151WK	220-240 V, 50/60 Hz AC, DC	10	5,5	230	CBS / TapsaCtrl + IC	-30...+50	3 x 2,5	0,4
●	TWT1151WKP	220-240 V, 50/60 Hz AC, DC	10	5,5	230	CBS / TapsaCtrl + IC	-30...+50	3 x 2,5	0,4
■	TWTA451WK	220-240 V, 50/60 Hz AC, DC	10	5,5	230	CBS / TapsaCtrl + IC	-30...+50	3 x 2,5	0,4
●	TWT6351WK	220-240 V, 50/60 Hz AC, DC	10	5,5	200	CBS / TapsaCtrl + IC	-30...+50	3 x 2,5	0,4
■	TWTA251WK	220-240 V, 50/60 Hz AC, DC	10	5,5	200	CBS / TapsaCtrl + IC	-30...+50	3 x 2,5	0,4
●	TWT1251WK	220-240 V, 50/60 Hz AC, DC	10	5,5	230	CBS / TapsaCtrl + IC	-30...+50	3 x 2,5	0,4
●	TWT1251WKP	220-240 V, 50/60 Hz AC, DC	10	5,5	230	CBS / TapsaCtrl + IC	-30...+50	3 x 2,5	0,4
■	TWTA551WK	220-240 V, 50/60 Hz AC, DC	10	5,5	230	CBS / TapsaCtrl + IC	-30...+50	3 x 2,5	0,4
●	TWT1351WK	220-240 V, 50/60 Hz AC, DC	13	8,5	440	CBS / TapsaCtrl + IC	-30...+50	3 x 2,5	0,4
●	TWT1351WKP	220-240 V, 50/60 Hz AC, DC	13	8,5	440	CBS / TapsaCtrl + IC	-30...+50	3 x 2,5	0,4

Light Distribution Tables

Emergency Lighting for Escape Routes (Ceiling Mounting)

- Table of 1 lux for escape routes in the middle line according to the norm EN 1838.
 - Level of measurement 0.02m, measurement result with battery operation.
- R1 distance from wall (X axis)
 R3 installation distance between lights (X axis)
 R4 distance from wall (Y axis)



Slimspot II: Line Lowbay

Mounting height (m)	Below the light (lux)	R1 (m) 1 lux	R3 (m) 1 lux	R4 (m) 1 lux
2,5	6,4	1	19,5	8
4	2,5	1	24	9

TWT6141WK TWT6151WK TWT6171W
 TWTA141WK TWTA151WK TWTA171W

Slimspot II: Line Midbay

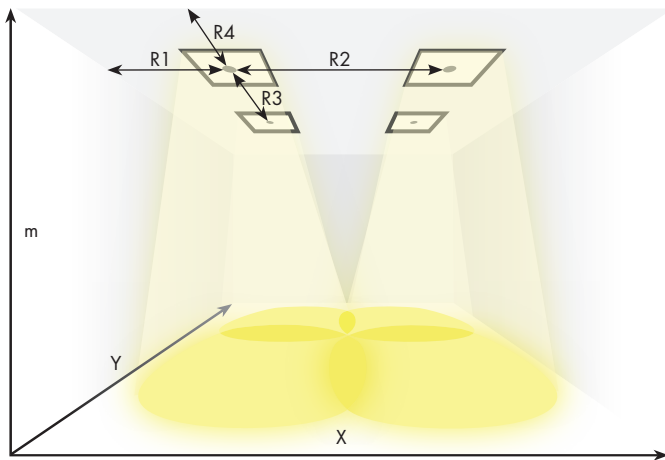
Mounting height (m)	Below the light (lux)	R1 (m) 1 lux	R3 (m) 1 lux	R4 (m) 1 lux
2,5	45	1	11	5
3	31	1	11	5
4	17	1	15	6,5
6	7	1	18	7
8	4	1	19	8
10	2	1	20	8

TWT1141WK TWT1151WK TWT1151WKP
 TWT1171W TWTA441WK TWTA451WK
 TWTA471W

Light Distribution Tables

Emergency Lighting for Open Areas (Ceiling Mounting)

- Table of 0.5 lux for open areas according to the norm EN 1838, 0.5m edge district is considered in the table.
 - Level of measurement 0.02m, measurement result with battery operation.
- R1 distance from wall (X axis)
 R2 installation distance between lights (X axis)
 R3 installation distance between lights (Y axis)
 R4 distance from wall (Y axis)



Slimspot II: Zone Lowbay

Mounting height (m)	Below the light (lux)	R1 (m) 0,5 lux	R2 (m) 0,5 lux	R3 (m) 0,5 lux	R4 (m) 0,5 lux
2,5	4,3	5,5	10	10	5,5
4	1,7	6	11	11	6

TWT6341WK TWTA241WK TWT6351WK
 TWTA251WK TWT6371W TWTA271W

Slimspot II: Zone Midbay

Mounting height (m)	Below the light (lux)	R1 (m) 1 lux	R2 (m) 1 lux	R4 (m) 1 lux
2,5	18	2,5	6	2,5
4	8	3	7,5	3
6	3,5	4	9	4
8	2	5	11	5

TWT1241WK TWTA541WK TWT1251WK
 TWTA551WK TWT1251WKP TWT1271W
 TWTA571W

Self-Contained Luminaires with Super Capacitor



1 h Operation mode with wireless central monitoring

Shape	Product code	Nominal supply voltage	Max input power (VA)	Luminous flux (lm)	Operation mode	Temperature range (°C)	Electrical installation (mm ²)	Weight (kg)
●	TWS6192WA	220-240 V, 50/60 Hz AC	3	75	1 h Escap AaltoCtrl	-25...+35	3 x 2,5	0,8
●	TWS6192WA4	220-240 V, 50/60 Hz AC	3	75	1 h Escap AaltoCtrl	-25...+35	3 x 2,5	0,8
■	TWSA192WA	220-240 V, 50/60 Hz AC	3	60	1 h Escap AaltoCtrl	-25...+35	3 x 2,5	0,8
■	TWSA192WA4	220-240 V, 50/60 Hz AC	3	60	1 h Escap AaltoCtrl	-25...+35	3 x 2,5	0,8
●	TWS1192WA	220-240 V, 50/60 Hz AC	3	60	1 h Escap AaltoCtrl	-25...+35	3 x 2,5	0,8
●	TWS1192WA4	220-240 V, 50/60 Hz AC	3	60	1 h Escap AaltoCtrl	-25...+35	3 x 2,5	0,8
■	TWSA492WA	220-240 V, 50/60 Hz AC	3	60	1 h Escap AaltoCtrl	-25...+35	3 x 2,5	0,8
■	TWSA492WA4	220-240 V, 50/60 Hz AC	3	60	1 h Escap AaltoCtrl	-25...+35	3 x 2,5	0,8
●	TWS6392WA	220-240 V, 50/60 Hz AC	3	65	1 h Escap AaltoCtrl	-25...+35	3 x 2,5	0,8
●	TWS6392WA4	220-240 V, 50/60 Hz AC	3	65	1 h Escap AaltoCtrl	-25...+35	3 x 2,5	0,8
●	TWS6392WA5	220-240 V, 50/60 Hz AC	3	80	1 h Escap AaltoCtrl	-25...+35	3 x 2,5	0,8
●	TWS6392WAC	220-240 V, 50/60 Hz AC	3	80	1 h Escap AaltoCtrl	-25...+35	3 x 2,5	0,8
■	TWSA292WA	220-240 V, 50/60 Hz AC	3	65	1 h Escap AaltoCtrl	-25...+35	3 x 2,5	0,8
■	TWSA292WA4	220-240 V, 50/60 Hz AC	3	65	1 h Escap AaltoCtrl	-25...+35	3 x 2,5	0,8
■	TWSA292WA5	220-240 V, 50/60 Hz AC	3	80	1 h Escap AaltoCtrl	-25...+35	3 x 2,5	0,8
■	TWSA292WAC	220-240 V, 50/60 Hz AC	3	80	1 h Escap AaltoCtrl	-25...+35	3 x 2,5	0,8
●	TWS1292WA	220-240 V, 50/60 Hz AC	3	60	1 h Escap AaltoCtrl	-25...+35	3 x 2,5	0,8
●	TWS1292WA4	220-240 V, 50/60 Hz AC	3	60	1 h Escap AaltoCtrl	-25...+35	3 x 2,5	0,8
●	TWS1292WA5	220-240 V, 50/60 Hz AC	3	74	1 h Escap AaltoCtrl	-25...+35	3 x 2,5	0,8
●	TWS1292WAC	220-240 V, 50/60 Hz AC	3	74	1 h Escap AaltoCtrl	-25...+35	3 x 2,5	0,8
■	TWSA592WA	220-240 V, 50/60 Hz AC	3	60	1 h Escap AaltoCtrl	-25...+35	3 x 2,5	0,8
■	TWSA592WA4	220-240 V, 50/60 Hz AC	3	60	1 h Escap AaltoCtrl	-25...+35	3 x 2,5	0,8
■	TWSA592WA5	220-240 V, 50/60 Hz AC	3	74	1 h Escap AaltoCtrl	-25...+35	3 x 2,5	0,8
■	TWSA592WAC	220-240 V, 50/60 Hz AC	3	74	1 h Escap AaltoCtrl	-25...+35	3 x 2,5	0,8

Self-Contained Luminaires with Super Capacitor

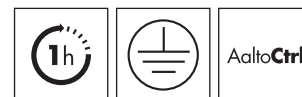


1 h Operation mode with self-testing

Shape	Product code	Nominal supply voltage	Max input power (VA)	Luminous flux (lm)	Operation mode	Temperature range (°C)	Electrical installation (mm ²)	Weight (kg)
●	TWS6192WM	220-240 V, 50/60 Hz AC	3	75	1 h Escap LumiTest	-25...+35	3 x 2,5	0,8
●	TWS6192WM4	220-240 V, 50/60 Hz AC	3	75	1 h Escap LumiTest	-25...+35	3 x 2,5	0,8
■	TWSA192WM	220-240 V, 50/60 Hz AC	3	60	1 h Escap LumiTest	-25...+35	3 x 2,5	0,8
■	TWSA192WM4	220-240 V, 50/60 Hz AC	3	60	1 h Escap LumiTest	-25...+35	3 x 2,5	0,8
●	TWS1192WM	220-240 V, 50/60 Hz AC	3	60	1 h Escap LumiTest	-25...+35	3 x 2,5	0,8
●	TWS1192WM4	220-240 V, 50/60 Hz AC	3	60	1 h Escap LumiTest	-25...+35	3 x 2,5	0,8
■	TWSA492WM	220-240 V, 50/60 Hz AC	3	60	1 h Escap LumiTest	-25...+35	3 x 2,5	0,8
■	TWSA492WM4	220-240 V, 50/60 Hz AC	3	60	1 h Escap LumiTest	-25...+35	3 x 2,5	0,8
●	TWS6392WM	220-240 V, 50/60 Hz AC	3	65	1 h Escap LumiTest	-25...+35	3 x 2,5	0,8
●	TWS6392WM4	220-240 V, 50/60 Hz AC	3	65	1 h Escap LumiTest	-25...+35	3 x 2,5	0,8
●	TWS6392WM5	220-240 V, 50/60 Hz AC	3	80	1 h Escap LumiTest	-25...+35	3 x 2,5	0,8
●	TWS6392WMC	220-240 V, 50/60 Hz AC	3	80	1 h Escap LumiTest	-25...+35	3 x 2,5	0,8
■	TWSA292WM	220-240 V, 50/60 Hz AC	3	65	1 h Escap LumiTest	-25...+35	3 x 2,5	0,8
■	TWSA292WM4	220-240 V, 50/60 Hz AC	3	65	1 h Escap LumiTest	-25...+35	3 x 2,5	0,8
■	TWSA292WM5	220-240 V, 50/60 Hz AC	3	80	1 h Escap LumiTest	-25...+35	3 x 2,5	0,8
■	TWSA292WMC	220-240 V, 50/60 Hz AC	3	80	1 h Escap LumiTest	-25...+35	3 x 2,5	0,8
●	TWS1292WM	220-240 V, 50/60 Hz AC	3	60	1 h Escap LumiTest	-25...+35	3 x 2,5	0,8
●	TWS1292WM4	220-240 V, 50/60 Hz AC	3	60	1 h Escap LumiTest	-25...+35	3 x 2,5	0,8
●	TWS1292WM5	220-240 V, 50/60 Hz AC	3	74	1 h Escap LumiTest	-25...+35	3 x 2,5	0,8
●	TWS1292WMC	220-240 V, 50/60 Hz AC	3	74	1 h Escap LumiTest	-25...+35	3 x 2,5	0,8
■	TWSA592WM	220-240 V, 50/60 Hz AC	3	60	1 h Escap LumiTest	-25...+35	3 x 2,5	0,8
■	TWSA592WM4	220-240 V, 50/60 Hz AC	3	60	1 h Escap LumiTest	-25...+35	3 x 2,5	0,8
■	TWSA592WM5	220-240 V, 50/60 Hz AC	3	74	1 h Escap LumiTest	-25...+35	3 x 2,5	0,8
■	TWSA592WMC	220-240 V, 50/60 Hz AC	3	74	1 h Escap LumiTest	-25...+35	3 x 2,5	0,8

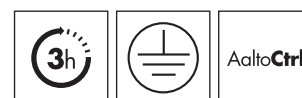
Self-Contained Luminaires with Battery

1 h Battery with wireless central monitoring



Shape	Product code	Nominal supply voltage	Max input power (VA)	Luminous flux (lm)	Operation mode	Temperature range (°C)	Electrical installation (mm ²)	Weight (kg)
●	TWT6152WA	220-240 V, 50/60 Hz AC	3	180	1 h battery AaltoCtrl	0...+35	3 x 2,5	0,6
■	TWTA152WA	220-240 V, 50/60 Hz AC	3	180	1 h battery AaltoCtrl	0...+35	3 x 2,5	0,6
●	TWT1152WA	220-240 V, 50/60 Hz AC	3	230	1 h battery AaltoCtrl	0...+35	3 x 2,5	0,6
■	TWTA452WA	220-240 V, 50/60 Hz AC	3	230	1 h battery AaltoCtrl	0...+35	3 x 2,5	0,6
●	TWT6352WA	220-240 V, 50/60 Hz AC	3	200	1 h battery AaltoCtrl	0...+35	3 x 2,5	0,6
■	TWTA252WA	220-240 V, 50/60 Hz AC	3	200	1 h battery AaltoCtrl	0...+35	3 x 2,5	0,6
●	TWT1252WA	220-240 V, 50/60 Hz AC	3	230	1 h battery AaltoCtrl	0...+35	3 x 2,5	0,6
■	TWTA552WA	220-240 V, 50/60 Hz AC	3	230	1 h battery AaltoCtrl	0...+35	3 x 2,5	0,6

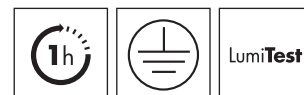
3 h Battery with wireless central monitoring



Shape	Product code	Nominal supply voltage	Max input power (VA)	Luminous flux (lm)	Operation mode	Temperature range (°C)	Electrical installation (mm ²)	Weight (kg)
●	TWT6153WA	220-240 V, 50/60 Hz AC	3	180	3 h battery AaltoCtrl	0...+35	3 x 2,5	0,8
■	TWTA153WA	220-240 V, 50/60 Hz AC	3	180	3 h battery AaltoCtrl	0...+35	3 x 2,5	0,8
●	TWT1153WA	220-240 V, 50/60 Hz AC	3	230	3 h battery AaltoCtrl	0...+35	3 x 2,5	0,8
■	TWTA453WA	220-240 V, 50/60 Hz AC	3	230	3 h battery AaltoCtrl	0...+35	3 x 2,5	0,8
●	TWT6353WA	220-240 V, 50/60 Hz AC	3	200	3 h battery AaltoCtrl	0...+35	3 x 2,5	0,8
■	TWTA253WA	220-240 V, 50/60 Hz AC	3	200	3 h battery AaltoCtrl	0...+35	3 x 2,5	0,8
●	TWT1253WA	220-240 V, 50/60 Hz AC	3	230	3 h battery AaltoCtrl	0...+35	3 x 2,5	0,8
■	TWTA553WA	220-240 V, 50/60 Hz AC	3	230	3 h battery AaltoCtrl	0...+35	3 x 2,5	0,8

Self-Contained Luminaires with Battery

1 h Battery with self-testing



Shape	Product code	Nominal supply voltage	Max input power (VA)	Luminous flux (lm)	Operation mode	Temperature range (°C)	Electrical installation (mm ²)	Weight (kg)
●	TWT6152WM	220-240 V, 50/60 Hz AC	3	180	1 h battery LumiTest	0...+35	3 x 2,5	0,6
■	TWTA152WM	220-240 V, 50/60 Hz AC	3	180	1 h battery LumiTest	0...+35	3 x 2,5	0,6
●	TWT1152WM	220-240 V, 50/60 Hz AC	3	230	1 h battery LumiTest	0...+35	3 x 2,5	0,6
■	TWTA452WM	220-240 V, 50/60 Hz AC	3	230	1 h battery LumiTest	0...+35	3 x 2,5	0,6
●	TWT6352WM	220-240 V, 50/60 Hz AC	3	200	1 h battery LumiTest	0...+35	3 x 2,5	0,6
■	TWTA252WM	220-240 V, 50/60 Hz AC	3	200	1 h battery LumiTest	0...+35	3 x 2,5	0,6
●	TWT1252WM	220-240 V, 50/60 Hz AC	3	230	1 h battery LumiTest	0...+35	3 x 2,5	0,6
■	TWTA552WM	220-240 V, 50/60 Hz AC	3	230	1 h battery LumiTest	0...+35	3 x 2,5	0,6

3 h Battery with self-testing

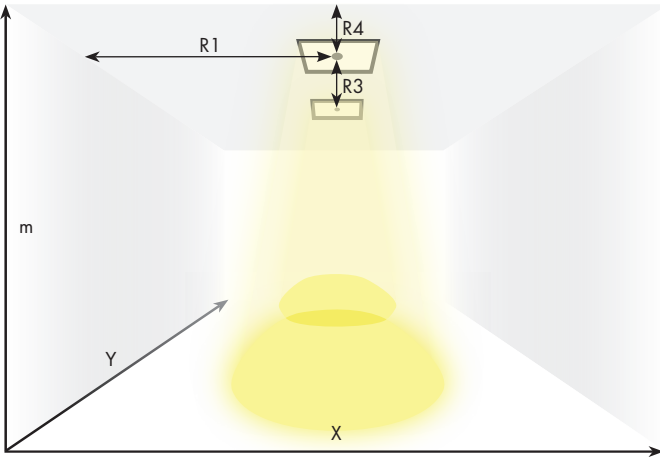


Shape	Product code	Nominal supply voltage	Max input power (VA)	Luminous flux (lm)	Operation mode	Temperature range (°C)	Electrical installation (mm ²)	Weight (kg)
●	TWT6153WM	220-240 V, 50/60 Hz AC	6	180	3 h battery LumiTest	0...+35	3 x 2,5	0,8
■	TWTA153WM	220-240 V, 50/60 Hz AC	6	180	3 h battery LumiTest	0...+35	3 x 2,5	0,8
●	TWT1153WM	220-240 V, 50/60 Hz AC	6	230	3 h battery LumiTest	0...+35	3 x 2,5	0,8
■	TWTA453WM	220-240 V, 50/60 Hz AC	6	230	3 h battery LumiTest	0...+35	3 x 2,5	0,8
●	TWT6353WM	220-240 V, 50/60 Hz AC	6	200	3 h battery LumiTest	0...+35	3 x 2,5	0,8
■	TWTA253WM	220-240 V, 50/60 Hz AC	6	200	3 h battery LumiTest	0...+35	3 x 2,5	0,8
●	TWT1253WM	220-240 V, 50/60 Hz AC	6	230	3 h battery LumiTest	0...+35	3 x 2,5	0,8
■	TWTA553WM	220-240 V, 50/60 Hz AC	6	230	3 h battery LumiTest	0...+35	3 x 2,5	0,8

Light Distribution Tables

Emergency Lighting for Escape Routes (Ceiling Mounting)

- Table of 1 lux for escape routes in the middle line according to the norm EN 1838.
 - Level of measurement 0.02m, measurement result with battery operation.
- R1 distance from wall (X axis)
 R3 installation distance between lights (Y axis)
 R4 distance from wall (Y axis)



Slimspot II: Line Lowbay

Mounting height (m)	Below the light (lux)	R1 (m) 1 lux	R3 (m) 1 lux	R4 (m) 1 lux
2,5	2,5	1	15	7
3	1,5	1	17	8

TWS6192WA TWS6192WA4 TWS6192WM
 TWS6192WM4 TWSA192WA TWSA192WA4
 TWSA192WM

Mounting height (m)	Below the light (lux)	R1 (m) 1 lux	R3 (m) 1 lux	R4 (m) 1 lux
2,5	6,4	1	19,5	8
4	2,5	1	24	9

TWT6152WA TWT6153WA TWT6152WM
 TWT6153WM TWTA152WA TWTA153WA
 TWTA152WM TWTA153WM

Slimspot II: Line Midbay

Mounting height (m)	Below the light (lux)	R1 (m) 1 lux	R3 (m) 1 lux	R4 (m) 1 lux
2,5	11	1	8	3,5
3	8	1	9	3,5
4	4,5	1	10	4
6	2	1	11	4
8	1,1	1	11	3

TWS1192WA TWS1192WA4 TWS1192WM
 TWS1192WM4 TWSA492WA TWSA492WA4
 TWSA492WM TWSA492WM4

Mounting height (m)	Below the light (lux)	R1 (m) 1 lux	R3 (m) 1 lux	R4 (m) 1 lux
2,5	45	1	11	5
3	31	1	11	5
4	17	1	15	6,5
6	7	1	18	7
8	4	1	19	8
10	2	1	20	8

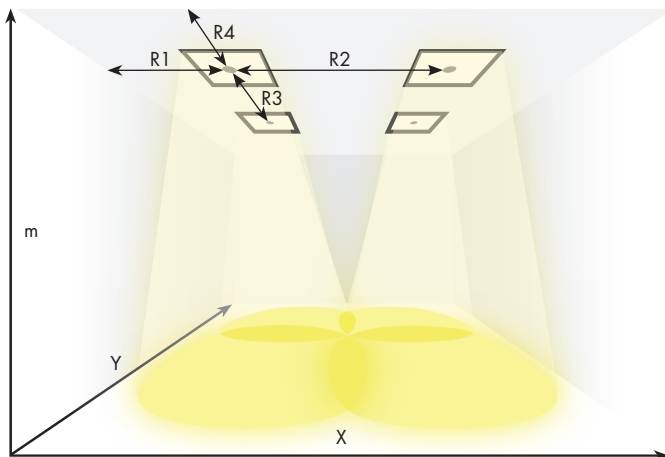
TWT1152WA TWT1153WA TWTA452WA
 TWTA453WA TWT1152WM TWT1153WM
 TWTA452WM TWTA453WM

Light Distribution Tables

Emergency Lighting for Open Areas (Ceiling Mounting)

- Table of 0,5 lux for open areas according to the norm EN 1838, 0.5m edge district is considered in the table.
- Level of measurement 0.02m, measurement result with battery operation.

- R1 distance from wall (X axis)
- R2 installation distance between lights (X axis)
- R3 installation distance between lights (Y axis)
- R4 distance from wall (Y axis)



Slimspot II: Zone Lowbay

Mounting height (m)	Below the light (lux)	R1 (m) 0,5 lux	R2 (m) 0,5 lux	R3 (m) 0,5 lux	R4 (m) 0,5 lux
2,5	1,5	3	5	5	3
3	1	4	6,5	6,5	4

TWS6392WA TWS6392WA4 TWS6392WM
 TWS6392WM4 TWSA292WA TWSA292WA4
 TWSA292WM TWSA292WM4

Mounting height (m)	Below the light (lux)	R1 (m) 0,5 lux	R2 (m) 0,5 lux	R3 (m) 0,5 lux	R4 (m) 0,5 lux
2,5	1,7	4	7,5	7,5	4
3	1,2	4	8	8	4
4	0,7	3	8,5	8,5	3

TWS6392WAC TWS6392WA5 TWS6392WMC
 TWS6392WM5 TWSA292WAC TWSA292WA5
 TWSA292WMC TWSA292WM5

Mounting height (m)	Below the light (lux)	R1 (m) 0,5 lux	R2 (m) 0,5 lux	R3 (m) 0,5 lux	R4 (m) 0,5 lux
2,5	4,3	5,5	10	10	5,5
4	1,7	6	11	11	6

TWT6352WA TWT6353WA TWT6352WM
 TWT6353WM TWTA252WA TWTA253WA
 TWTA252WM TWTA253WM

Slimspot II: Zone Midbay

Mounting height (m)	Below the light (lux)	R1 (m) 1 lux	R2 (m) 1 lux	R4 (m) 1 lux
2,5	8,5	2	5	2
3	6	2	5,5	2
4	3,5	3	6	3
6	1,5	3	7	3

TWS1292WA TWS1292WA4 TWS1292WM
 TWS1292WM4 TWSA592WA TWSA592WA4
 TWSA592WM TWSA592WM4

Mounting height (m)	Below the light (lux)	R1 (m) 1 lux	R2 (m) 1 lux	R4 (m) 1 lux
2,5	11	2	5,5	2
3	7,6	2	5,5	2
4	4,3	3	6	3
6	1,9	3	8,5	3

TWS1292WAC TWS1292WA5 TWS1292WMC
 TWS1292WM5 TWSA592WAC TWSA592WA5
 TWSA592WMC TWSA592WM5

Mounting height (m)	Below the light (lux)	R1 (m) 1 lux	R2 (m) 1 lux	R4 (m) 1 lux
2,5	118	2,5	6	2,5
4	8	3	7,5	3
6	3,5	4	9	4
8	2	5	11	5

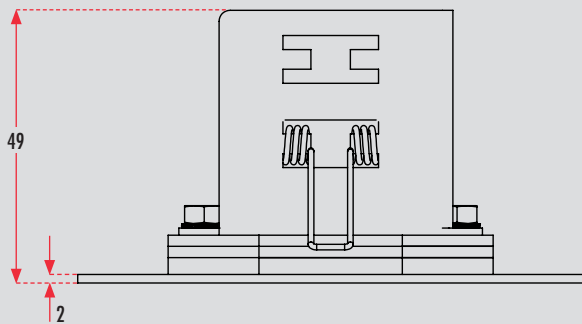
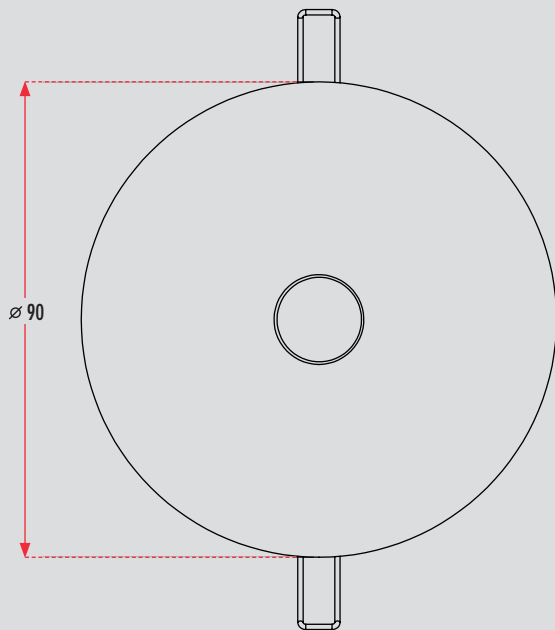
TWT1252WA TWT1253WA TWT1252WM
 TWT1253WM TWTA552WA TWTA553WA
 TWTA552WM TWTA553WM

Luminaire (Visible Part)

Dimensions (mm)

TWx11/12/13/63/64xxx(xx)

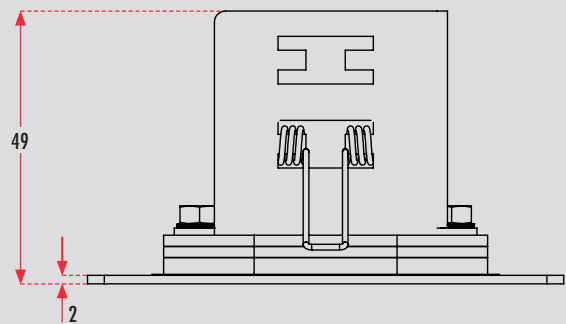
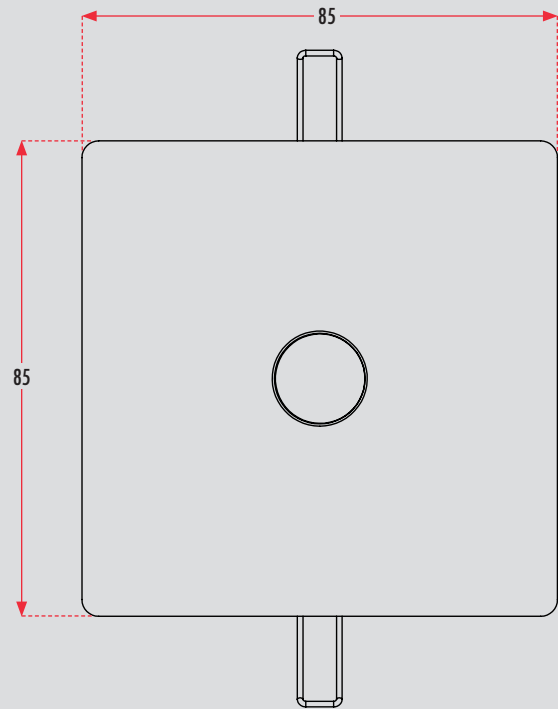
Mounting hole \varnothing 75 mm



Dimensions (mm)

TWxA1/A2/A4/A5xxx(xx)

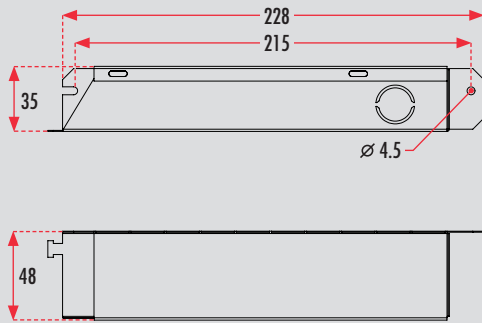
Mounting hole \varnothing 75 mm



Electronic Unit

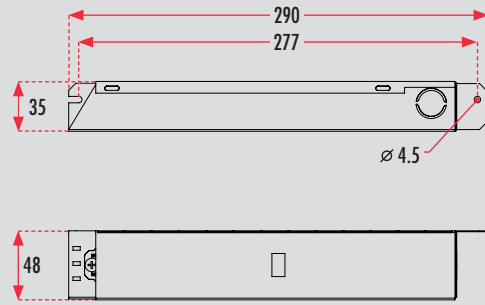
Dimensions (mm)

TWTxx41WK



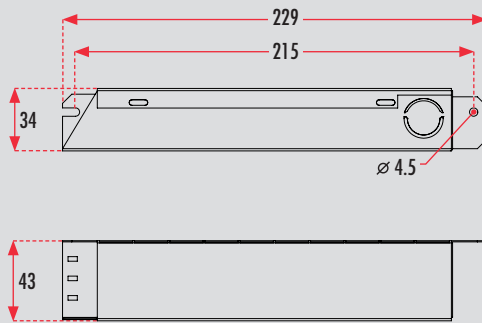
Dimensions (mm)

TWTxx51WK



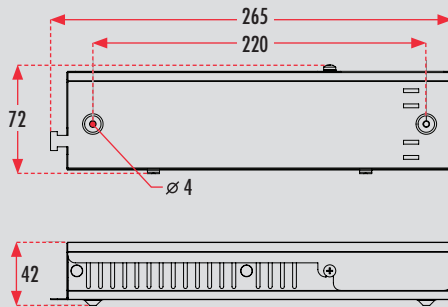
Dimensions (mm)

TWTxx71W



Dimensions (mm)

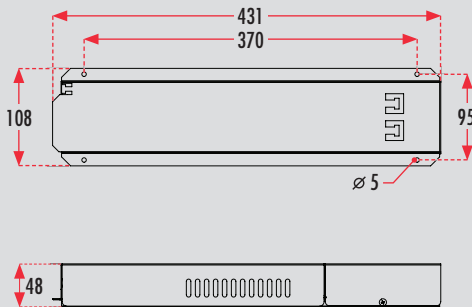
TWTxx52Wx, TWTxx53Wx



Dimensions (mm)

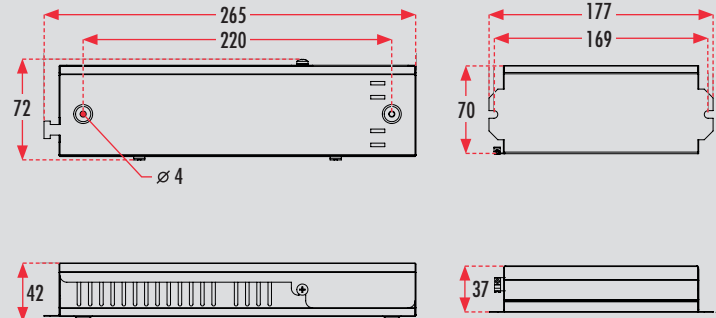
TWSxx92Wx4, TWSxx92Wx5

Note! Does not fit through the $\varnothing 75$ mm mounting hole!



Dimensions (mm)

TWSxx92Wx(C)



LET THERE BE CONFIDENCE.

People tend to take the presence of light for granted. We take it seriously. By creating the perfect solutions for our customers' needs, we offer solutions that increase the comfort, functionality and safety of their applications. Our passion is to design and manufacture interior and lighting solutions for public transportation vehicles and emergency lighting systems for buildings and cruise ships.

Our roots are in Finland, where our head office and largest production facilities are located. We also have production units in the UK, Malaysia, Poland and the USA, and we employ about 600 experts in eight different countries. Our global sales network serves our customers in more than 30 countries.

Teknoware is part of the Teknower Group.

Teknoware – Made in Finland.

