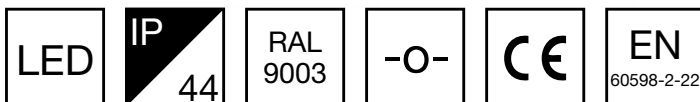


ZONESPOT II: MIDBAY, SURFACE-MOUNTED EMERGENCY LIGHTS



Teknoware's Zonespot II Midbay is a surface mounted emergency light for open areas. TWT93/TWS93 model is suitable for areas with 2-8 meter's height.

We reserve the rights to make modifications without notice.
Copyright © 2021 Teknoware. All rights reserved.
Date: February 18, 2021 | Source:
www.teknoware.com/en/emergency-lighting/emergency-lights/emergency-light-product-families/zonespot-ii-midbay-surface-mounted-emergency-lights



Teknoware Oy | P.O. Box 19, 15101 Lahti | Ilmarisentie 8, 15200 Lahti Finland
Tel +358 3 883 020 | VAT-number FI01494751 | teknoware.com | emexit@teknoware.com

High Output version TWT9356WK can be mounted in up to 14 meter's height. Zonespot II Midbay is easy and fast to install thanks to a separate mounting base, into which the power supply is also connected.

Zonespot II Midbay takes advantage of the latest LED technology. Its optics are designed to provide a broad, uniform lighting pattern, which illuminates the open areas effectively. Zonespot II is also suitable for damp locations.

The product codes starting with letter Y include an individually packed luminaire. The product codes starting with TW include the luminaire only.

SELF-CONTAINED ESCAP EMERGENCY LIGHTS WITH SUPER CAPACITOR AND SELF-TESTING

Product Code	Nominal Supply Voltage	Feature	Backup (h)	Form
TWS9392WM	220-240 V, 50/60 Hz AC	Escap, Lumi Test	1	
Y9392WM	220-240 V, 50/60 Hz AC	Escap, Lumi Test	1	
TWS9392WMC	220-240 V, 50/60 Hz AC	Escap, Lumi Test	1	
Y9392WMC	220-240 V, 50/60 Hz AC	Escap, Lumi Test	1	

SELF-CONTAINED ESCAP EMERGENCY LIGHTS WITH SUPER CAPACITOR AND WIRELESS CENTRAL MONITORING

Product Code	Nominal Supply Voltage	Feature	Backup (h)
TWS9392WA	220-240 V, 50/60 Hz AC	Aalto Control, Escap, Lumi Test	1
Y9392WA	220-240 V, 50/60 Hz AC	Aalto Control, Escap, Lumi Test	1
TWS9392WAC	220-240 V, 50/60 Hz AC	Aalto Control, Escap, Lumi Test	1
Y9392WAC	220-240 V, 50/60 Hz AC	Aalto Control, Escap, Lumi Test	1

SELF-CONTAINED EMERGENCY LIGHTS WITH BATTERY AND SELF-TESTING

Product Code	Nominal Supply Voltage	Feature	Backup (h)
TWT9352WM	220-240 V, 50/60 Hz AC	Lumi Test	1
Y9352WM	220-240 V, 50/60 Hz AC	Lumi Test	1
TWT9353WM	220-240 V, 50/60 Hz AC	Lumi Test	3
Y9353WM	220-240 V, 50/60 Hz AC	Lumi Test	3

We reserve the rights to make modifications without notice.
 Copyright © 2021 Teknoware. All rights reserved.
 Date: February 18, 2021 | Source:
www.teknoware.com/en/emergency-lighting/emergency-lights/emergency-light-product-families/zonespot-ii-midbay-surface-mounted-emergency-lights



SELF-CONTAINED EMERGENCY LIGHTS WITH BATTERY AND WIRELESS CENTRAL MONITORING

Product Code	Nominal Supply Voltage	Feature	Backup (h)
TWT9352WA	220-240 V, 50/60 Hz AC	Aalto Control, Lumi Test	1
Y9352WA	220-240 V, 50/60 Hz AC	Aalto Control, Lumi Test	1
TWT9353WA	220-240 V, 50/60 Hz AC	Aalto Control, Lumi Test	3
Y9353WA	220-240 V, 50/60 Hz AC	Aalto Control, Lumi Test	3

ADDRESSABLE 230 V CENTRALLY SUPPLIED EMERGENCY LIGHTS

Product Code	Nominal Supply Voltage	Feature
TWT9351WK	220-240 V, 50/60 Hz AC, DC	Intelligent Controller, Tapsa Control
Y9351WK	220-240 V, 50/60 Hz AC, DC	Intelligent Controller, Tapsa Control
TWT9356WK	220-240 V, 50/60 Hz AC, DC	Intelligent Controller, Tapsa Control
Y9356WK	220-240 V, 50/60 Hz AC, DC	Intelligent Controller, Tapsa Control

NON-ADDRESSABLE 230 V CENTRALLY SUPPLIED EMERGENCY LIGHTS

Product Code	Nominal Supply Voltage	Feature
TWT9371W	24-230 V, 50/60 Hz AC, DC	
Y9371W	24-230 V, 50/60 Hz AC, DC	

ADDRESSABLE 24 V CENTRALLY SUPPLIED EMERGENCY LIGHTS

Product Code	Nominal Supply Voltage	Feature
TWT9341WK	24 V, 50/60 Hz AC, DC	Tapsa Control
Y9341WK	24 V, 50/60 Hz AC, DC	Tapsa Control

We reserve the rights to make modifications without notice.

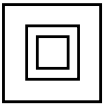
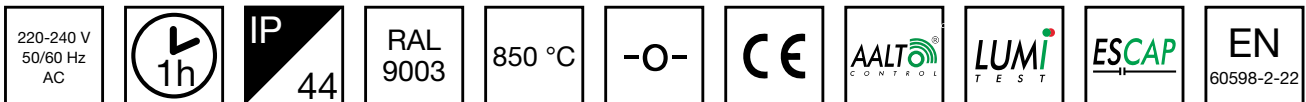
Copyright © 2021 Teknoware. All rights reserved.

Date: February 18, 2021 | Source:

www.teknoware.com/en/emergency-lighting/emergency-lights/emergency-light-product-families/zonespot-ii-midbay-surface-mounted-emergency-lights



ZONESPOT II MIDBAY LED EMERGENCY LIGHT TWS9392WA



Self-contained ESCAP Emergency Light with 1 h Super Capacitor and Wireless Central Monitoring

Teknoware's Zonespot II Midbay is a surface mounted emergency light for open areas. TWT93/TWS93 model is suitable for areas with 2-8 meter's height. High Output version TWT9356WK can be mounted in up to 14 meter's height. Zonespot II Midbay is easy and fast to install thanks to a separate mounting base, into which the power supply is also connected.

Zonespot II Midbay takes advantage of the latest LED technology. Its optics are designed to provide a broad, uniform lighting pattern, which illuminates the open areas effectively. Zonespot II is also suitable for damp locations.

We reserve the rights to make modifications without notice.
Copyright © 2021 Teknoware. All rights reserved.
Date: February 18, 2021 | Source:
www.teknoware.com/en/emergency-lighting/zonespot-ii-midbay-led-emergency-light-tws9392wa



Teknoware Oy | P.O. Box 19, 15101 Lahti | Ilmarisentie 8, 15200 Lahti Finland
Tel +358 3 883 020 | VAT-number FI01494751 | teknoware.com | emexit@teknoware.com

INDIVIDUALLY PACKED LIGHTS

The product codes starting with letter Y include an individually packed luminaire. The product codes starting with TW include the luminaire only.

Product Code	IP Class	Luminous Flux (lm)
Y9392WA	IP44	60

Product Code	TWS9392WA
Feature	Aalto Control, Escap, Lumi Test
Mounting (standard)	surface
Mounting (optional)	pendel
Customs Code	94056080
GTIN Code	6438045019048
ETIM Product Class	EC001957
Length	180 mm
Width	180 mm
Height	50 mm
Weight	0.9 kg
Backup	1 h
Max Input Power VA	3 VA
Nominal Supply Voltage	220-240 V, 50/60 Hz AC
Protection Class	II
IP Class	IP44
Temperature Range Min - Max	-25...+35 °C
Glow Wire Test of Plastic Materials	850 °C
Body Material	plastic
Colour	RAL9003

We reserve the rights to make modifications without notice.

Copyright © 2021 Teknoware. All rights reserved.

Date: February 18, 2021 | Source:

www.teknoware.com/en/emergency-lighting/zonespot-ii-midbay-led-emergency-light-tws9392wa

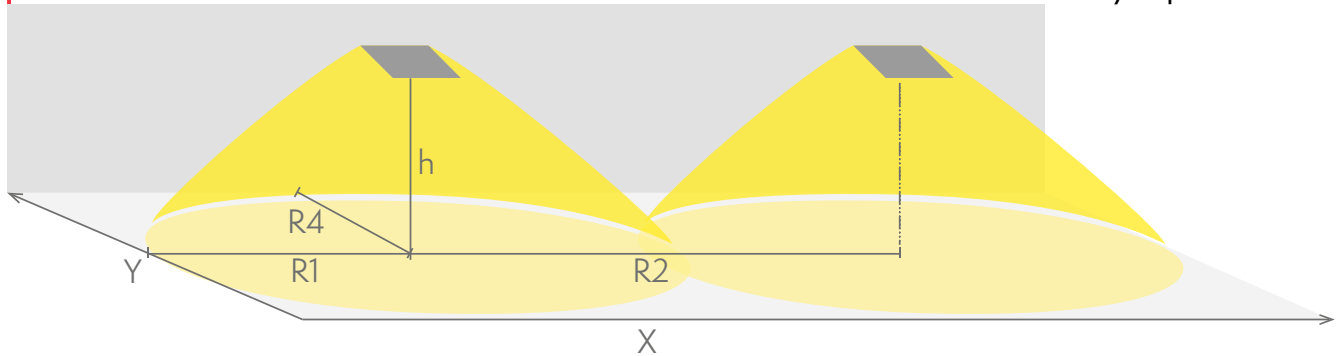


Electrical Installation	2/3 x 2,5 mm ²
Luminous Flux	60 lm

Emergency lighting for escape routes (ceiling mounting)

Table of 1 lux for escape routes in the middle line according to the norm EN 1838.

Level of measurement 0,02 m, measurement result with battery operation.



R1 distance from wall (X axis)

R2 installation distance between lights (X axis)

R4 distance from wall (Y axis)

TWS9392WA

Mounting height (m)	Below the light lux	R1 (m)	R2 (m)	R4 (m)
		1 lux	1 lux	1 lux
2,5	8,5	2	5	2
3	6	2	5,5	2
4	3,5	3	6	3
6	1,5	3	7	3

Emergency lighting for open areas (ceiling mounting)

Table of 0,5 lux for open areas according to the norm EN 1838, 0,5 m edge district is considered in the table.

Level of measurement 0,02 m, measurement result with battery operation.

We reserve the rights to make modifications without notice.

Copyright © 2021 Teknoware. All rights reserved.

Date: February 18, 2021 | Source:

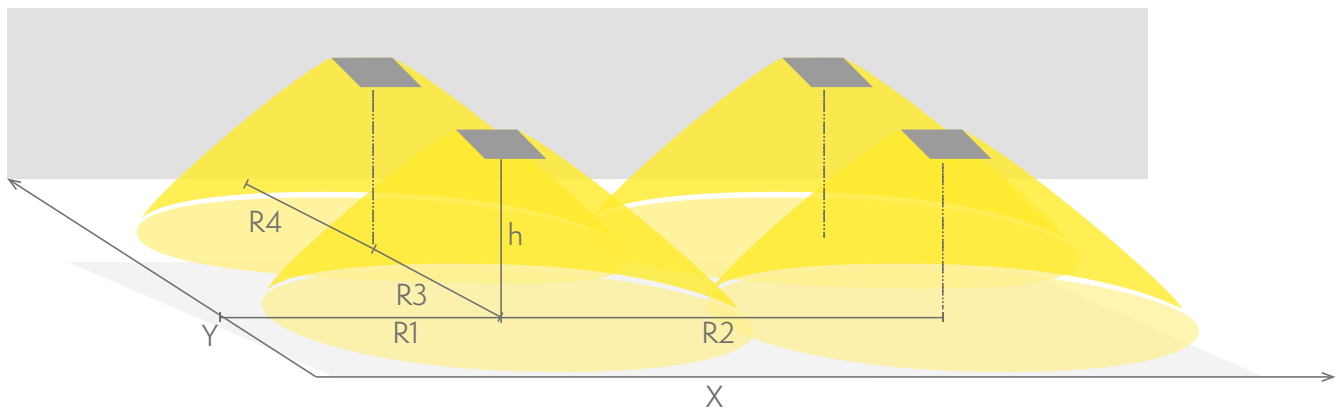
www.teknoware.com/en/emergency-lighting/zonespot-ii-midbay-led-emergency-light-tws9392wa

92wa



Teknoware Oy | P.O. Box 19, 15101 Lahti | Ilmarisentie 8, 15200 Lahti Finland

Tel +358 3 883 020 | VAT-number FI01494751 | teknoware.com | emexit@teknoware.com



- R1 distance from wall (X axis)
- R2 installation distance between lights (X axis)
- R3 installation distance between lights (Y axis)
- R4 distance from wall (Y axis)

TWS9392WA

Mounting height (m)	Below the light lux	R1 (m)	R2 (m)	R3 (m)	R4 (m)
		0,5 lux	0,5 lux	0,5 lux	0,5 lux
2,5	8,5	2	4	4	2
3	6	2	4.5	4.5	2
4	3,5	2	5	5	2
6	1,5	3	6	6	3

OPTIONAL ACCESSORIES:

SHOCK PROTECTING COVERS FOR EMERGENCY LIGHTS



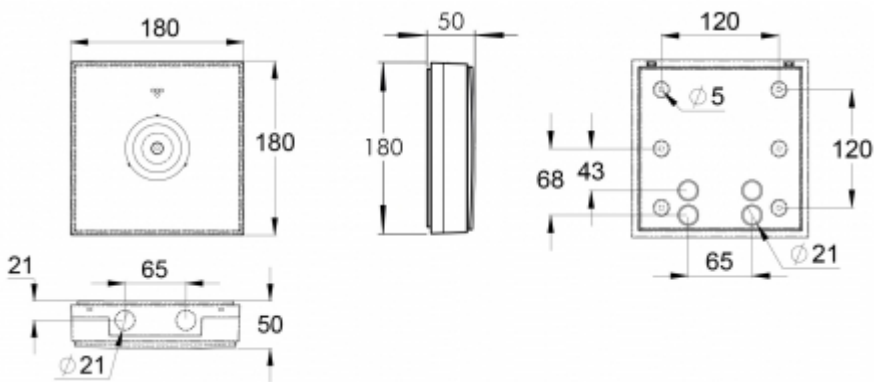
Product Code	Product Name	Compatible Product Groups
TW77507B	Shock protecting cover TW77507B	ESC 10 Emergency Exit Lights, ESC 80 Emergency Exit Lights

OPTIONAL MOUNTING ACCESSORIES FOR EMERGENCY LIGHTS

Product Code	Product Name	Compatible Product Groups
TW77504F	Suspension bracket TW77504F	Linespot II: Lowbay, Surface-Mounted Emergency Lights, Zonespot II: Lowbay, Surface-Mounted Emergency Lights, Zonespot II: Midbay, Surface-Mounted Emergency Lights, Linespot II: Midbay, Surface-Mounted Emergency Lights, Zonespot II: Highbay, Surface-Mounted Emergency Lights

We reserve the rights to make modifications without notice.
 Copyright © 2021 Teknoware. All rights reserved.
 Date: February 18, 2021 | Source:
www.teknoware.com/en/emergency-lighting/zonespot-ii-midbay-led-emergency-light-tws9392wa



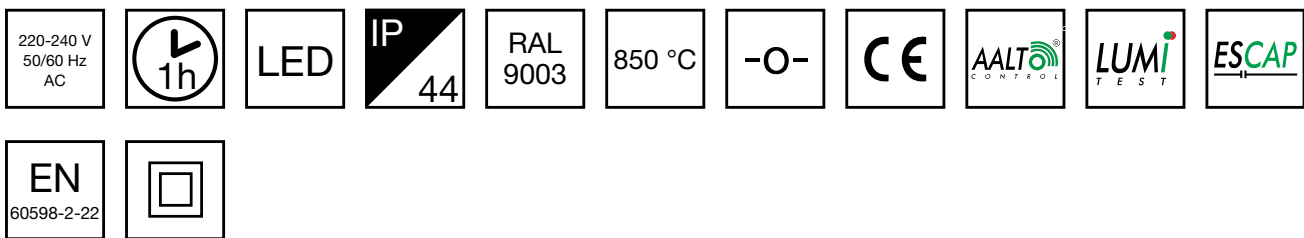


We reserve the rights to make modifications without notice.
Copyright © 2021 Teknoware. All rights reserved.
Date: February 18, 2021 | Source:
www.teknoware.com/en/emergency-lighting/zonespot-ii-midbay-led-emergency-light-tws93-92wa



Teknoware Oy | P.O. Box 19, 15101 Lahti | Ilmarisentie 8, 15200 Lahti Finland
Tel +358 3 883 020 | VAT-number FI01494751 | teknoware.com | emexit@teknoware.com

ZONESPOT II MIDBAY LED EMERGENCY LIGHT TWS9392WAC



Self-contained ESCAP Emergency Light with 1 h Super Capacitor and Wireless Central Monitoring

Teknoware's Zonespot II Midbay is a surface mounted emergency light for open areas. TWT93/TWS93 model is suitable for areas with 2-8 meter's height. High Output version TWT9356WK can be mounted in up to 14 meter's height. Zonespot II Midbay is easy and fast to install thanks to a separate mounting base, into which the power supply is also connected.

Zonespot II Midbay takes advantage of the latest LED technology. Its optics are designed to provide a broad, uniform lighting pattern, which illuminates the open areas effectively. Zonespot II is also suitable for damp locations.

We reserve the rights to make modifications without notice.
Copyright © 2021 Teknoware. All rights reserved.
Date: February 18, 2021 | Source:
www.teknoware.com/en/emergency-lighting/zonespot-ii-midbay-led-emergency-light-tws9392wac



Teknoware Oy | P.O. Box 19, 15101 Lahti | Ilmarisentie 8, 15200 Lahti Finland
Tel +358 3 883 020 | VAT-number FI01494751 | teknoware.com | emexit@teknoware.com

INDIVIDUALLY PACKED LIGHTS

The product codes starting with letter Y include an individually packed luminaire. The product codes starting with TW include the luminaire only.

Product Code	IP Class	Luminous Flux (lm)
Y9392WAC	IP44	74

Product Code	TWS9392WAC
Feature	Aalto Control, Escap, Lumi Test
Mounting (standard)	surface
Mounting (optional)	pendel
Customs Code	94056080
GTIN Code	6438045019727
ETIM Product Class	EC001957
Length	180 mm
Width	180 mm
Height	50 mm
Weight	0,9 kg
Backup	1 h
Max Input Power VA	3 VA
Nominal Supply Voltage	220-240 V, 50/60 Hz AC
Protection Class	II
IP Class	IP44
Temperature Range Min - Max	-25...+35 °C
Glow Wire Test of Plastic Materials	850 °C
Light Source	LED
Body Material	plastic

We reserve the rights to make modifications without notice.
Copyright © 2021 Teknoware. All rights reserved.
Date: February 18, 2021 | Source:
www.teknoware.com/en/emergency-lighting/zonespot-ii-midbay-led-emergency-light-tws9392wac

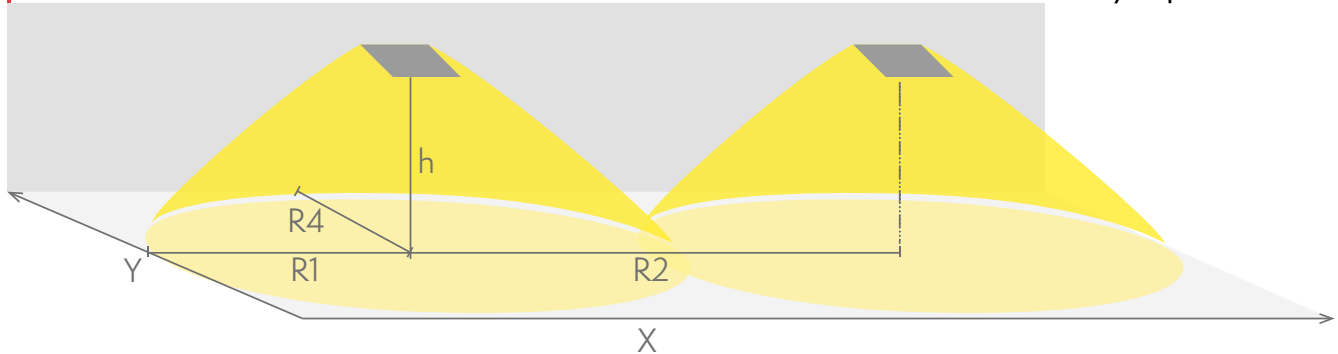


Colour	RAL9003
Electrical Installation	2/3 x 2,5 mm ²
Luminous Flux	74 lm

Emergency lighting for escape routes (ceiling mounting)

Table of 1 lux for escape routes in the middle line according to the norm EN 1838.

Level of measurement 0,02 m, measurement result with battery operation.



R1 distance from wall (X axis)

R2 installation distance between lights (X axis)

R4 distance from wall (Y axis)

TWS9392WAC

Mounting height (m)	Below the light lux	R1 (m)	R2 (m)	R4 (m)
		1 lux	1 lux	1 lux
2,5	11	2	5,5	2
3	7,6	2	5,5	2
4	4,3	3	6	3
6	1,9	3	8,5	3

Emergency lighting for open areas (ceiling mounting)

Table of 0,5 lux for open areas according to the norm EN 1838, 0,5 m edge district is considered in the table.

Level of measurement 0,02 m, measurement result with battery operation.

We reserve the rights to make modifications without notice.

Copyright © 2021 Teknoware. All rights reserved.

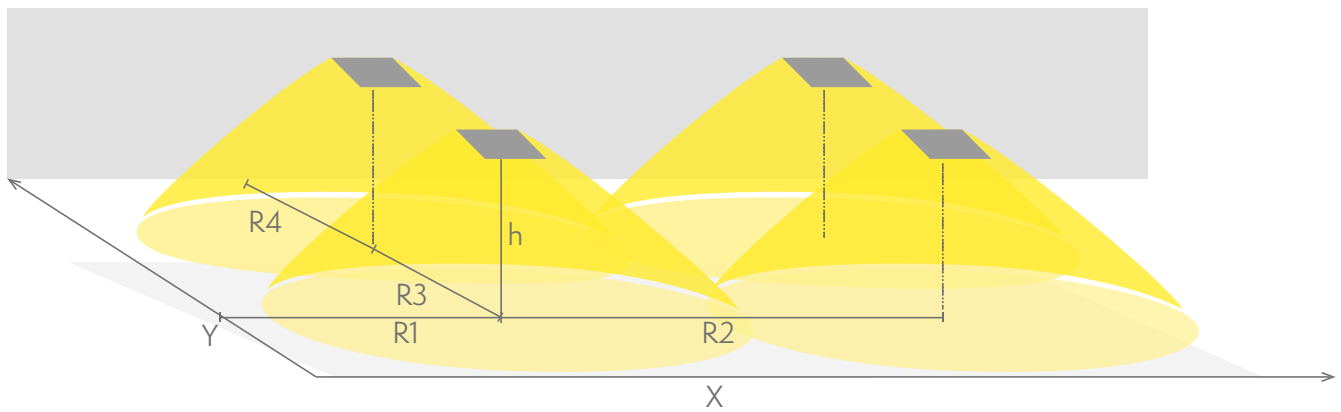
Date: February 18, 2021 | Source:

www.teknoware.com/en/emergency-lighting/zonespot-ii-midbay-led-emergency-light-tws9392wac



Teknoware Oy | P.O. Box 19, 15101 Lahti | Ilmarisentie 8, 15200 Lahti Finland

Tel +358 3 883 020 | VAT-number FI01494751 | teknoware.com | emexit@teknoware.com



- R1 distance from wall (X axis)
- R2 installation distance between lights (X axis)
- R3 installation distance between lights (Y axis)
- R4 distance from wall (Y axis)

TWS9392WAC

Mounting height (m)	Below the light lux	R1 (m)	R2 (m)	R3 (m)	R4 (m)
		0,5 lux	0,5 lux	0,5 lux	0,5 lux
2,5	11	2,5	5	5	2,5
3	7,6	2,5	5	5	2,5
4	4,3	3	6	6	3
6	1,9	3,5	8	8	3,5
8	1,1	3,5	8	8	3,5

OPTIONAL ACCESSORIES:

SHOCK PROTECTING COVERS FOR EMERGENCY LIGHTS



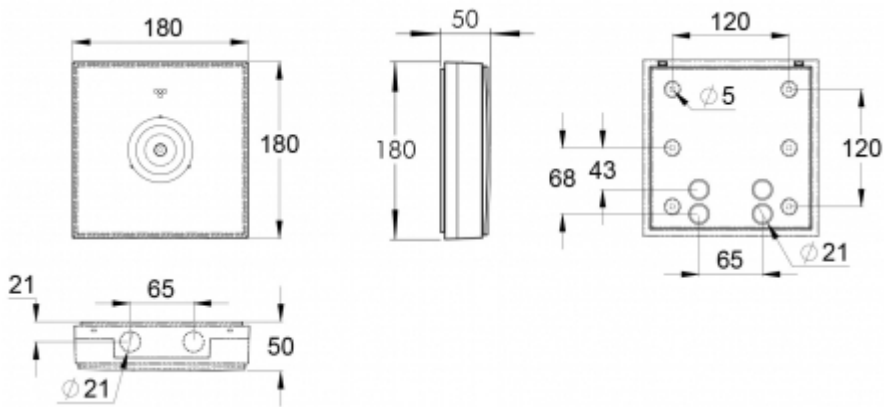
Product Code	Product Name	Compatible Product Groups
TW77507B	Shock protecting cover TW77507B	ESC 10 Emergency Exit Lights, ESC 80 Emergency Exit Lights

OPTIONAL MOUNTING ACCESSORIES FOR EMERGENCY LIGHTS

Product Code	Product Name	Compatible Product Groups
TW77504F	Suspension bracket TW77504F	Linespot II: Lowbay, Surface-Mounted Emergency Lights, Zonespot II: Lowbay, Surface-Mounted Emergency Lights, Zonespot II: Midbay, Surface-Mounted Emergency Lights, Linespot II: Midbay, Surface-Mounted Emergency Lights, Zonespot II: Highbay, Surface-Mounted Emergency Lights

We reserve the rights to make modifications without notice.
 Copyright © 2021 Teknoware. All rights reserved.
 Date: February 18, 2021 | Source:
www.teknoware.com/en/emergency-lighting/zonespot-ii-midbay-led-emergency-light-tws9392wac





We reserve the rights to make modifications without notice.

Copyright © 2021 Teknoware. All rights reserved.

Date: February 18, 2021 | Source:

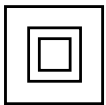
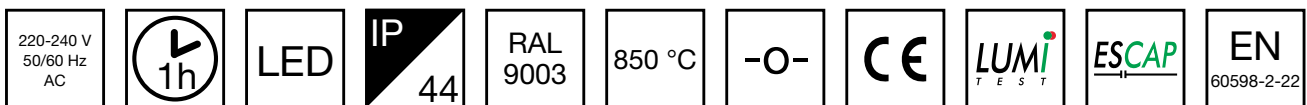
www.teknoware.com/en/emergency-lighting/zonespot-ii-midbay-led-emergency-light-tws93-92wac



Teknoware Oy | P.O. Box 19, 15101 Lahti | Ilmarisentie 8, 15200 Lahti Finland

Tel +358 3 883 020 | VAT-number FI01494751 | teknoware.com | emexit@teknoware.com

ZONESPOT II MIDBAY LED EMERGENCY LIGHT TWS9392WM



Self-contained ESCAP Emergency Light with 1 h Super Capacitor and Lumi Test Self-testing

Teknoware's Zonespot II Midbay is a surface mounted emergency light for open areas. TWT93/TWS93 model is suitable for areas with 2-8 meter's height. High Output version TWT9356WK can be mounted in up to 14 meter's height. Zonespot II Midbay is easy and fast to install thanks to a separate mounting base, into which the power supply is also connected.

Zonespot II Midbay takes advantage of the latest LED technology. Its optics are designed to provide a broad, uniform lighting pattern, which illuminates the open areas effectively. Zonespot II is also suitable for damp locations.

We reserve the rights to make modifications without notice.
Copyright © 2021 Teknoware. All rights reserved.
Date: February 18, 2021 | Source:
www.teknoware.com/en/emergency-lighting/zonespot-ii-midbay-led-emergency-light-tws9392wm



Teknoware Oy | P.O. Box 19, 15101 Lahti | Ilmarisentie 8, 15200 Lahti Finland
Tel +358 3 883 020 | VAT-number FI01494751 | teknoware.com | emexit@teknoware.com

INDIVIDUALLY PACKED LIGHTS

The product codes starting with letter Y include an individually packed luminaire. The product codes starting with TW include the luminaire only.

Product Code	IP Class	Luminous Flux (lm)
Y9392WM	IP44	60

Product Code	TWS9392WM
Feature	Escap, Lumi Test
Mounting (standard)	surface
Mounting (optional)	pendel
Customs Code	94056080
GTIN Code	6438045019055
ETIM Product Class	EC001957
Length	180 mm
Width	180 mm
Height	50 mm
Weight	0,9 kg
Backup	1 h
Max Input Power VA	3 VA
Nominal Supply Voltage	220-240 V, 50/60 Hz AC
Protection Class	II
IP Class	IP44
Temperature Range Min - Max	-25...+35 °C
Glow Wire Test of Plastic Materials	850 °C
Light Source	LED
Body Material	plastic

We reserve the rights to make modifications without notice.

Copyright © 2021 Teknoware. All rights reserved.

Date: February 18, 2021 | Source:

www.teknoware.com/en/emergency-lighting/zonespot-ii-midbay-led-emergency-light-tws9392wm

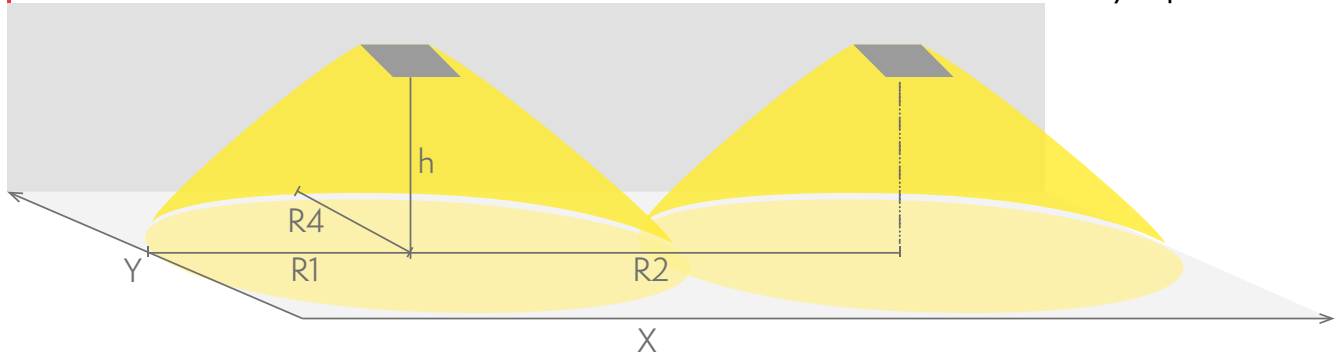


Colour	RAL9003
Electrical Installation	2/3 x 2,5 mm ²
Luminous Flux	60 lm

Emergency lighting for escape routes (ceiling mounting)

Table of 1 lux for escape routes in the middle line according to the norm EN 1838.

Level of measurement 0,02 m, measurement result with battery operation.



R1 distance from wall (X axis)

R2 installation distance between lights (X axis)

R4 distance from wall (Y axis)

TWS9392WM

Mounting height (m)	Below the light lux	R1 (m)	R2 (m)	R4 (m)
		1 lux	1 lux	1 lux
2,5	8,5	2	5	2
3	6	2	5,5	2
4	3,5	3	6	3
6	1,5	3	7	3

Emergency lighting for open areas (ceiling mounting)

Table of 0,5 lux for open areas according to the norm EN 1838, 0,5 m edge district is considered in the table.

Level of measurement 0,02 m, measurement result with battery operation.

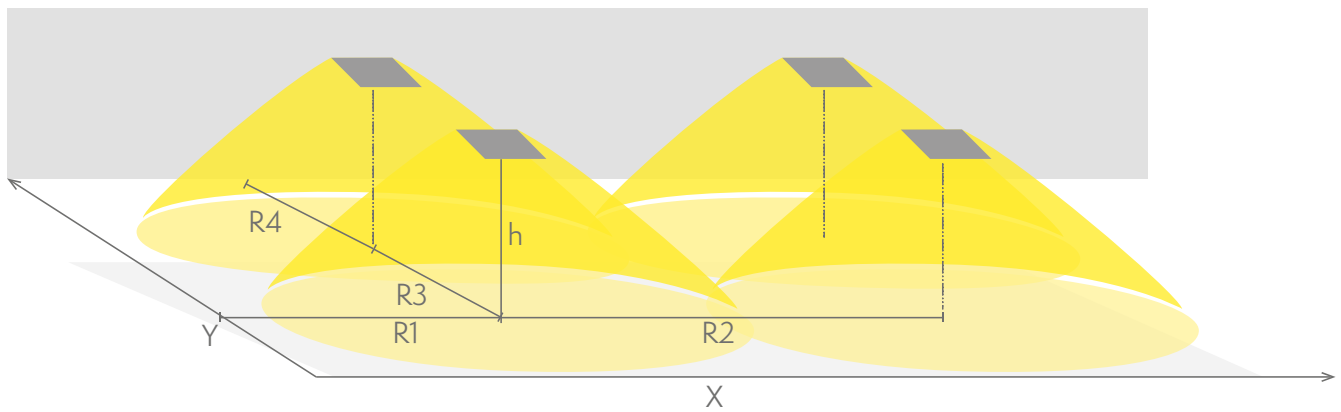
We reserve the rights to make modifications without notice.

Copyright © 2021 Teknoware. All rights reserved.

Date: February 18, 2021 | Source:

www.teknoware.com/en/emergency-lighting/zonespot-ii-midbay-led-emergency-light-tws9392wm





- R1 distance from wall (X axis)
- R2 installation distance between lights (X axis)
- R3 installation distance between lights (Y axis)
- R4 distance from wall (Y axis)

TWS9392WM

Mounting height (m)	Below the light lux	R1 (m)	R2 (m)	R3 (m)	R4 (m)
		0,5 lux	0,5 lux	0,5 lux	0,5 lux
2,5	8,5	2	4	4	2
3	6	2	4,5	4,5	2
4	3,5	2	5	5	2
6	1,5	3	6	6	3

OPTIONAL ACCESSORIES:

SHOCK PROTECTING COVERS FOR EMERGENCY LIGHTS



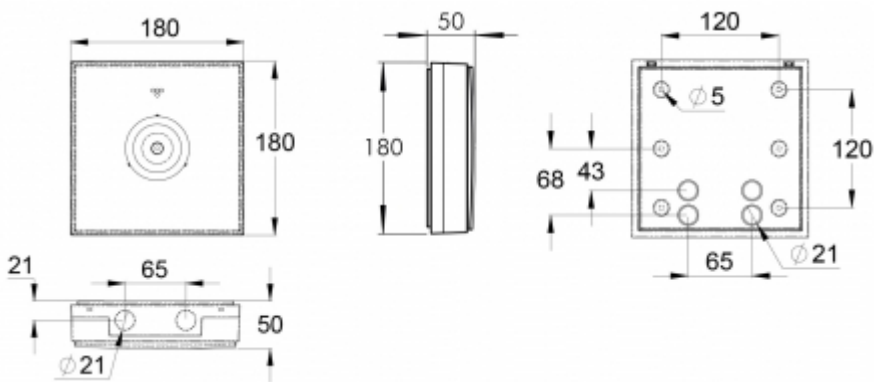
Product Code	Product Name	Compatible Product Groups
TW77507B	Shock protecting cover TW77507B	ESC 10 Emergency Exit Lights, ESC 80 Emergency Exit Lights

OPTIONAL MOUNTING ACCESSORIES FOR EMERGENCY LIGHTS

Product Code	Product Name	Compatible Product Groups
TW77504F	Suspension bracket TW77504F	Linespot II: Lowbay, Surface-Mounted Emergency Lights, Zonespot II: Lowbay, Surface-Mounted Emergency Lights, Zonespot II: Midbay, Surface-Mounted Emergency Lights, Linespot II: Midbay, Surface-Mounted Emergency Lights, Zonespot II: Highbay, Surface-Mounted Emergency Lights

We reserve the rights to make modifications without notice.
 Copyright © 2021 Teknoware. All rights reserved.
 Date: February 18, 2021 | Source:
www.teknoware.com/en/emergency-lighting/zonespot-ii-midbay-led-emergency-light-tws9392wm





We reserve the rights to make modifications without notice.

Copyright © 2021 Teknoware. All rights reserved.

Date: February 18, 2021 | Source:

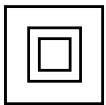
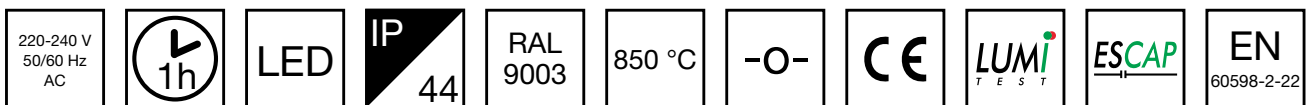
www.teknoware.com/en/emergency-lighting/zonespot-ii-midbay-led-emergency-light-tws93-92wm



Teknoware Oy | P.O. Box 19, 15101 Lahti | Ilmarisentie 8, 15200 Lahti Finland

Tel +358 3 883 020 | VAT-number FI01494751 | teknoware.com | emexit@teknoware.com

ZONESPOT II MIDBAY LED EMERGENCY LIGHT TWS9392WMC



Self-contained ESCAP Emergency Light with 1 h Super Capacitor and Lumi Test Self-testing

Teknoware's Zonespot II Midbay is a surface mounted emergency light for open areas. TWT93/TWS93 model is suitable for areas with 2-8 meter's height. High Output version TWT9356WK can be mounted in up to 14 meter's height. Zonespot II Midbay is easy and fast to install thanks to a separate mounting base, into which the power supply is also connected.

Zonespot II Midbay takes advantage of the latest LED technology. Its optics are designed to provide a broad, uniform lighting pattern, which illuminates the open areas effectively. Zonespot II is also suitable for damp locations.

We reserve the rights to make modifications without notice.
Copyright © 2021 Teknoware. All rights reserved.
Date: February 18, 2021 | Source:
www.teknoware.com/en/emergency-lighting/zonespot-ii-midbay-led-emergency-light-tws9392wmc



Teknoware Oy | P.O. Box 19, 15101 Lahti | Ilmarisentie 8, 15200 Lahti Finland
Tel +358 3 883 020 | VAT-number FI01494751 | teknoware.com | emexit@teknoware.com

INDIVIDUALLY PACKED LIGHTS

The product codes starting with letter Y include an individually packed luminaire. The product codes starting with TW include the luminaire only.

Product Code	IP Class	Luminous Flux (lm)
Y9392WMC	IP44	74

Product Code	TWS9392WMC
Feature	Escap, Lumi Test
Mounting (standard)	surface
Mounting (optional)	pendel
Customs Code	94056080
GTIN Code	6438045019734
ETIM Product Class	EC001957
Length	180 mm
Width	180 mm
Height	50 mm
Weight	0,9 kg
Backup	1 h
Max Input Power VA	3 VA
Nominal Supply Voltage	220-240 V, 50/60 Hz AC
Protection Class	II
IP Class	IP44
Temperature Range Min - Max	-25...+35 °C
Glow Wire Test of Plastic Materials	850 °C
Light Source	LED
Body Material	plastic

We reserve the rights to make modifications without notice.

Copyright © 2021 Teknoware. All rights reserved.

Date: February 18, 2021 | Source:

www.teknoware.com/en/emergency-lighting/zonespot-ii-midbay-led-emergency-light-tws9392wmc

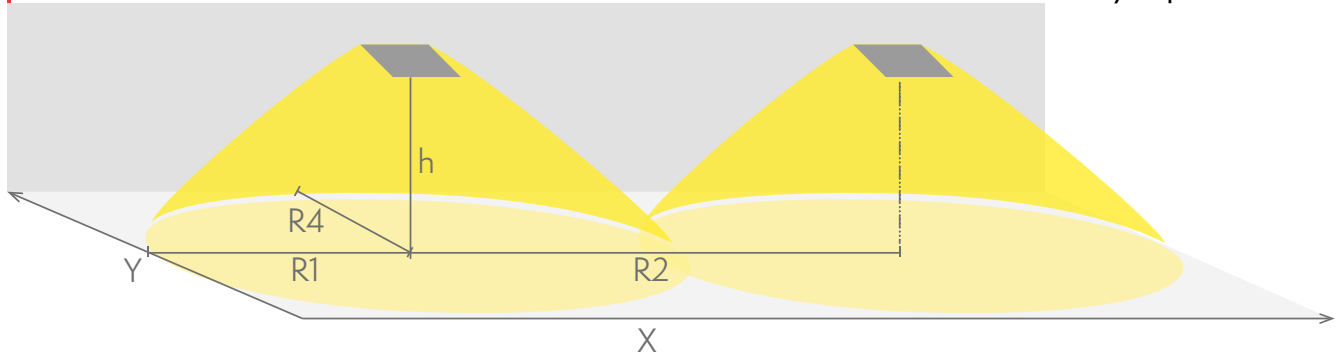


Colour	RAL9003
Electrical Installation	2/3 x 2,5 mm ²
Luminous Flux	74 lm

Emergency lighting for escape routes (ceiling mounting)

Table of 1 lux for escape routes in the middle line according to the norm EN 1838.

Level of measurement 0,02 m, measurement result with battery operation.



R1 distance from wall (X axis)

R2 installation distance between lights (X axis)

R4 distance from wall (Y axis)

TWS9392WMC

Mounting height (m)	Below the light lux	R1 (m)	R2 (m)	R4 (m)
		1 lux	1 lux	1 lux
2,5	11	2	5,5	2
3	7,6	2	5,5	2
4	4,3	3	6	3
6	1,9	3	8,5	3

Emergency lighting for open areas (ceiling mounting)

Table of 0,5 lux for open areas according to the norm EN 1838, 0,5 m edge district is considered in the table.

Level of measurement 0,02 m, measurement result with battery operation.

We reserve the rights to make modifications without notice.

Copyright © 2021 Teknoware. All rights reserved.

Date: February 18, 2021 | Source:

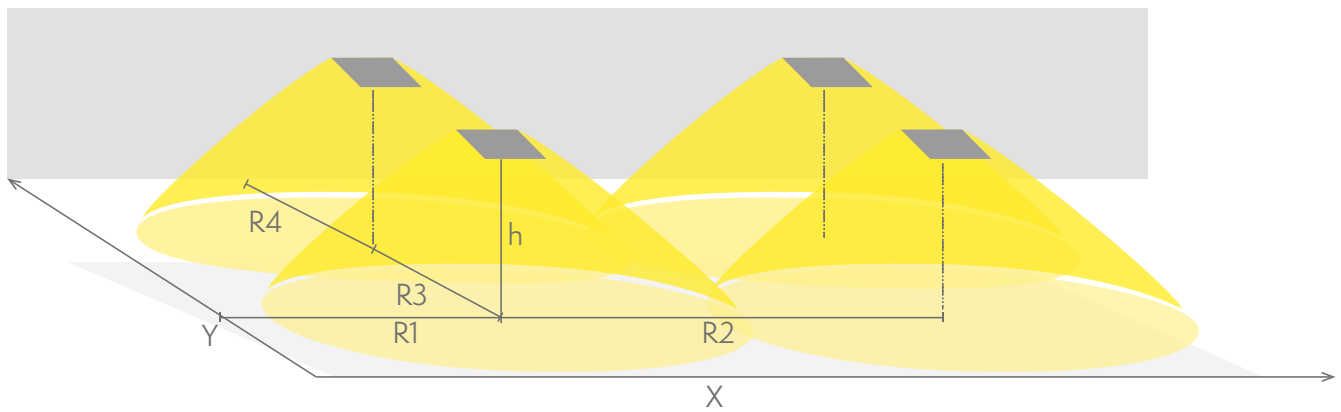
www.teknoware.com/en/emergency-lighting/zonespot-ii-midbay-led-emergency-light-tws9392wmc

92wmc



Teknoware Oy | P.O. Box 19, 15101 Lahti | Ilmarisentie 8, 15200 Lahti Finland

Tel +358 3 883 020 | VAT-number FI01494751 | teknoware.com | emexit@teknoware.com



- R1 distance from wall (X axis)
- R2 installation distance between lights (X axis)
- R3 installation distance between lights (Y axis)
- R4 distance from wall (Y axis)

TWS9392WMC

Mounting height (m)	Below the light lux	R1 (m)	R2 (m)	R3 (m)	R4 (m)
		0,5 lux	0,5 lux	0,5 lux	0,5 lux
2,5	11	2,5	5	5	2,5
3	7,6	2,5	5	5	2,5
4	4,3	3	6	6	3
6	1,9	3,5	8	8	3,5
8	1,1	3,5	8	8	3,5

OPTIONAL ACCESSORIES:

SHOCK PROTECTING COVERS FOR EMERGENCY LIGHTS



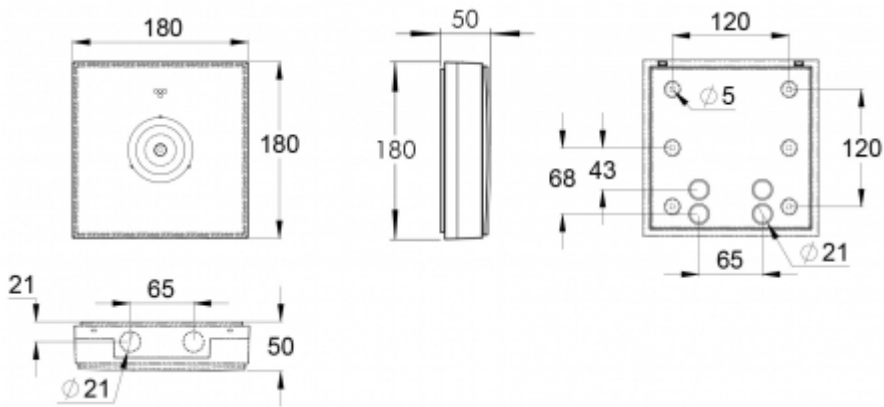
Product Code	Product Name	Compatible Product Groups
TW77507B	Shock protecting cover TW77507B	ESC 10 Emergency Exit Lights, ESC 80 Emergency Exit Lights

OPTIONAL MOUNTING ACCESSORIES FOR EMERGENCY LIGHTS

Product Code	Product Name	Compatible Product Groups
TW77504F	Suspension bracket TW77504F	Linespot II: Lowbay, Surface-Mounted Emergency Lights, Zonespot II: Lowbay, Surface-Mounted Emergency Lights, Zonespot II: Midbay, Surface-Mounted Emergency Lights, Linespot II: Midbay, Surface-Mounted Emergency Lights, Zonespot II: Highbay, Surface-Mounted Emergency Lights

We reserve the rights to make modifications without notice.
 Copyright © 2021 Teknoware. All rights reserved.
 Date: February 18, 2021 | Source:
www.teknoware.com/en/emergency-lighting/zonespot-ii-midbay-led-emergency-light-tws9392wmc



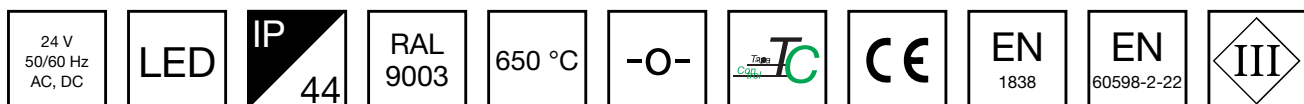


We reserve the rights to make modifications without notice.
Copyright © 2021 Teknoware. All rights reserved.
Date: February 18, 2021 | Source:
www.teknoware.com/en/emergency-lighting/zonespot-ii-midbay-led-emergency-light-tws93-92wmc



Teknoware Oy | P.O. Box 19, 15101 Lahti | Ilmarisentie 8, 15200 Lahti Finland
Tel +358 3 883 020 | VAT-number FI01494751 | teknoware.com | emexit@teknoware.com

ZONESPOT II MIDBAY LED EMERGENCY LIGHT TWT9341WK



Addressable 24 V centrally supplied LED emergency light

Teknoware's Zonespot II Midbay is a surface mounted emergency light for open areas. TWT93/TWS93 model is suitable for areas with 2-8 meter's height. Zonespot II Midbay is easy and fast to install thanks to a separate mounting base, into which the power supply is also connected.

Zonespot II Midbay takes advantage of the latest LED technology. Its optics is designed to provide a broad, uniform lighting pattern, which illuminates the open areas effectively. Zonespot II is also suitable for damp locations.

INDIVIDUALLY PACKED LIGHTS

The product codes starting with letter Y include an individually packed luminaire. The product codes starting with TW include the luminaire only.

Product Code	IP Class	Luminous Flux (lm)
Y9341WK	IP44	170

Product Code	TWT9341WK
Feature	Tapsa Control
Mounting (standard)	surface
Mounting (optional)	pendel
GTIN Code	6438045023960
Length	180 mm
Width	180 mm
Height	50 mm
Weight	0,5 kg
Max Input Power VA	3,1 VA
Max Input Power W	3,1 W
Nominal Supply Voltage	24 V, 50/60 Hz AC, DC
Protection Class	III
IP Class	IP44
Temperature Range Min - Max	-30...+50 °C
Glow Wire Test of Plastic Materials	650 °C
Light Source	LED
Body Material	plastic
Colour	RAL9003
Electrical Installation	2/3 x 2,5 mm ²

We reserve the rights to make modifications without notice.
Copyright © 2021 Teknoware. All rights reserved.
Date: February 18, 2021 | Source:
www.teknoware.com/en/zonespot-ii-midbay-led-emergency-light-twt9341wk

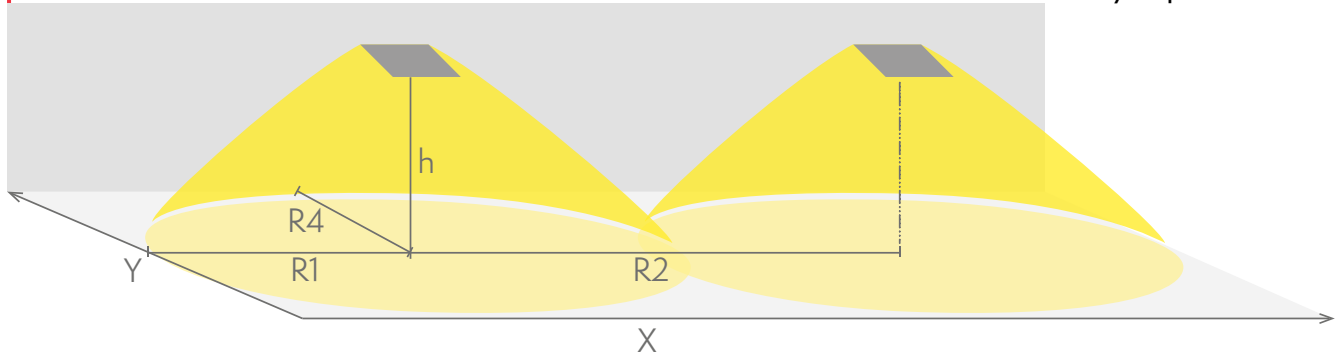
Teknoware Oy | P.O. Box 19, 15101 Lahti | Ilmarisentie 8, 15200 Lahti Finland
Tel +358 3 883 020 | VAT-number FI01494751 | teknoware.com | emexit@teknoware.com



Emergency lighting for escape routes (ceiling mounting)

Table of 1 lux for escape routes in the middle line according to the norm EN 1838.

Level of measurement 0,02 m, measurement result with battery operation.



R1 distance from wall (X axis)

R2 installation distance between lights (X axis)

R4 distance from wall (Y axis)

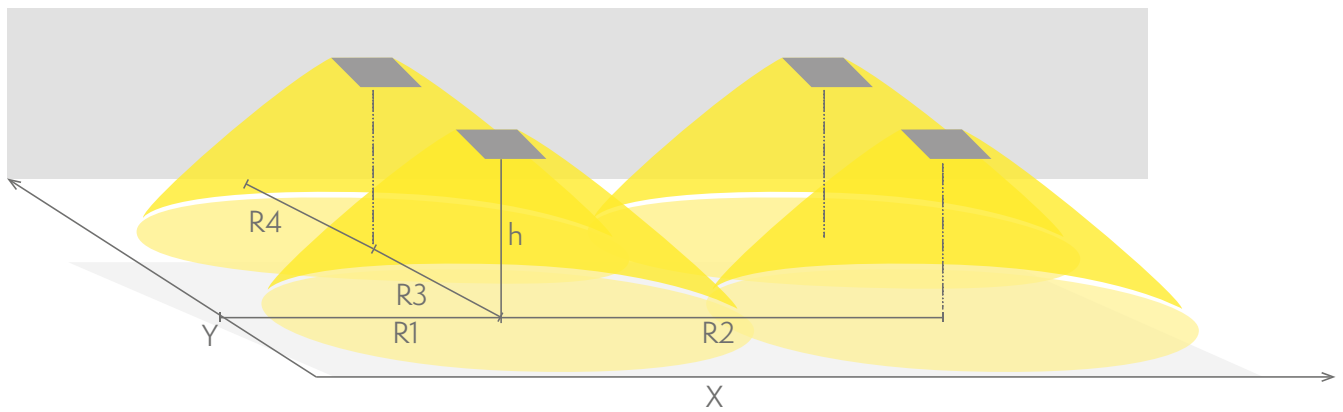
TWT9341WK

Mounting height (m)	Below the light lux	R1 (m)	R2 (m)	R4 (m)
		1 lux	1 lux	1 lux
2,5	18	2,5	6	2,5
4	8	3	7,5	3
6	3,5	4	9	4
8	2	5	11	5

Emergency lighting for open areas (ceiling mounting)

Table of 0,5 lux for open areas according to the norm EN 1838, 0,5 m edge district is considered in the table.

Level of measurement 0,02 m, measurement result with battery operation.



- R1 distance from wall (X axis)
- R2 installation distance between lights (X axis)
- R3 installation distance between lights (Y axis)
- R4 distance from wall (Y axis)

TWT9341WK

Mounting height (m)	Below the light lux	R1 (m)	R2 (m)	R3 (m)	R4 (m)
		0,5 lux	0,5 lux	0,5 lux	0,5 lux
2,5	18	3	5	5	3
4	8	3,5	6	6	3,5
6	3,5	4,5	8	8	4,5
8	2	5,5	10	10	5,5

OPTIONAL ACCESSORIES:

SHOCK PROTECTING COVERS FOR EMERGENCY LIGHTS



Product Code	Product Name	Compatible Product Groups
TW77507B	Shock protecting cover TW77507B	ESC 10 Emergency Exit Lights, ESC 80 Emergency Exit Lights

OPTIONAL MOUNTING ACCESSORIES FOR EMERGENCY LIGHTS

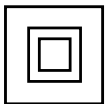
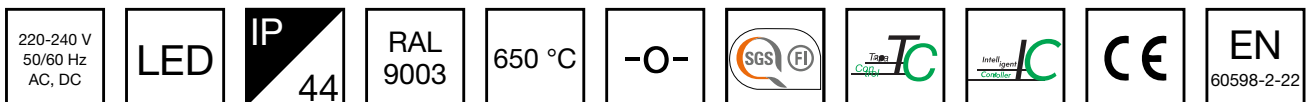
Product Code	Product Name	Compatible Product Groups
TW77504F	Suspension bracket TW77504F	Linespot II: Lowbay, Surface-Mounted Emergency Lights, Zonespot II: Lowbay, Surface-Mounted Emergency Lights, Zonespot II: Midbay, Surface-Mounted Emergency Lights, Linespot II: Midbay, Surface-Mounted Emergency Lights, Zonespot II: Highbay, Surface-Mounted Emergency Lights

We reserve the rights to make modifications without notice.
 Copyright © 2021 Teknoware. All rights reserved.
 Date: February 18, 2021 | Source:
www.teknoware.com/en/zonespot-ii-midbay-led-emergency-light-twt9341wk



Teknoware Oy | P.O. Box 19, 15101 Lahti | Ilmarisentie 8, 15200 Lahti Finland
 Tel +358 3 883 020 | VAT-number FI01494751 | teknoware.com | emexit@teknoware.com

ZONESPOT II MIDBAY LED EMERGENCY LIGHT TWT9351WK



Addressable 230 V centrally supplied LED emergency light

Teknoware's Zonespot II Midbay is a surface mounted emergency light for open areas. TWT93/TWS93 model is suitable for areas with 2-8 meter's height. High Output version TWT9356WK can be mounted in up to 14 meter's height. Zonespot II Midbay is easy and fast to install thanks to a separate mounting base, into which the power supply is also connected.

Zonespot II Midbay takes advantage of the latest LED technology. Its optics are designed to provide a broad, uniform lighting pattern, which illuminates the open areas effectively. Zonespot II is also suitable for damp locations.

We reserve the rights to make modifications without notice.
Copyright © 2021 Teknoware. All rights reserved.
Date: February 18, 2021 | Source:
www.teknoware.com/en/emergency-lighting/zonespot-ii-midbay-led-emergency-light-twt9351wk



Teknoware Oy | P.O. Box 19, 15101 Lahti | Ilmarisentie 8, 15200 Lahti Finland
Tel +358 3 883 020 | VAT-number FI01494751 | teknoware.com | emexit@teknoware.com

INDIVIDUALLY PACKED LIGHTS

The product codes starting with letter Y include an individually packed luminaire. The product codes starting with TW include the luminaire only.

Product Code	IP Class	Luminous Flux (lm)
Y9351WK	IP44	165

Product Code	TWT9351WK
Feature	Intelligent Controller, Tapsa Control
Mounting (standard)	surface
Mounting (optional)	pendel
Customs Code	94056080
GTIN Code	6438045018324
ETIM Product Class	EC001957
Length	180 mm
Width	180 mm
Height	50 mm
Weight	0,5 kg
Max Input Power VA	10 VA
Max Input Power W	5,5 W
Nominal Supply Voltage	220-240 V, 50/60 Hz AC, DC
Protection Class	II
IP Class	IP44
Temperature Range Min - Max	-30...+50 °C
Glow Wire Test of Plastic Materials	650 °C
Certifications	SGS Fimko
Light Source	LED

We reserve the rights to make modifications without notice.
Copyright © 2021 Teknoware. All rights reserved.
Date: February 18, 2021 | Source:
www.teknoware.com/en/emergency-lighting/zonespot-ii-midbay-led-emergency-light-twt9351wk



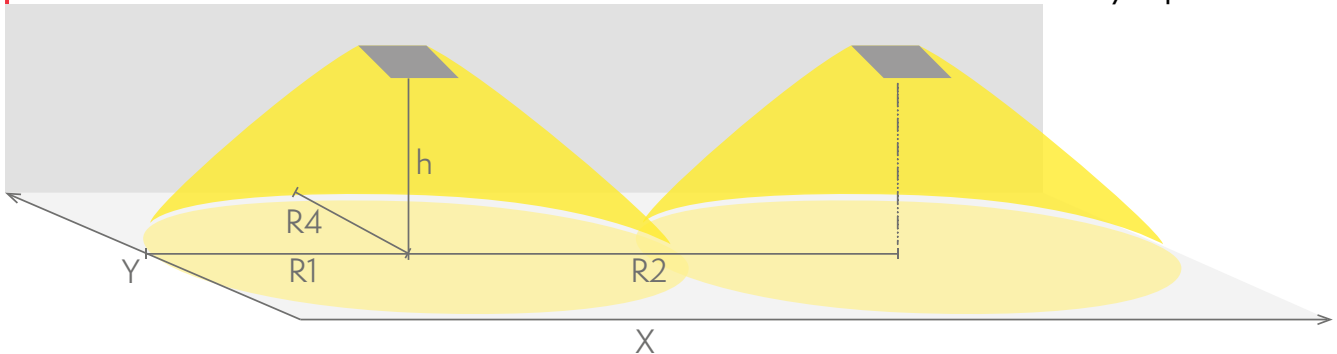
Teknoware Oy | P.O. Box 19, 15101 Lahti | Ilmarisentie 8, 15200 Lahti Finland
Tel +358 3 883 020 | VAT-number FI01494751 | teknoware.com | emexit@teknoware.com

Body Material	plastic
Colour	RAL9003
Electrical Installation	2/3 x 2,5 mm ²
Luminous Flux	165 lm

Emergency lighting for escape routes (ceiling mounting)

Table of 1 lux for escape routes in the middle line according to the norm EN 1838.

Level of measurement 0,02 m, measurement result with battery operation.



R1 distance from wall (X axis)

R2 installation distance between lights (X axis)

R4 distance from wall (Y axis)

TWT9351WK

Mounting height (m)	Below the light lux	R1 (m)	R2 (m)	R4 (m)
		1 lux	1 lux	1 lux
2,5	18	2,5	6	2,5
4	8	3	7,5	3
6	3,5	4	9	4
8	2	5	11	5

Emergency lighting for open areas (ceiling mounting)

Table of 0,5 lux for open areas according to the norm EN 1838, 0,5 m edge district is considered in the table.

Level of measurement 0,02 m, measurement result with battery operation.

We reserve the rights to make modifications without notice.

Copyright © 2021 Teknoware. All rights reserved.

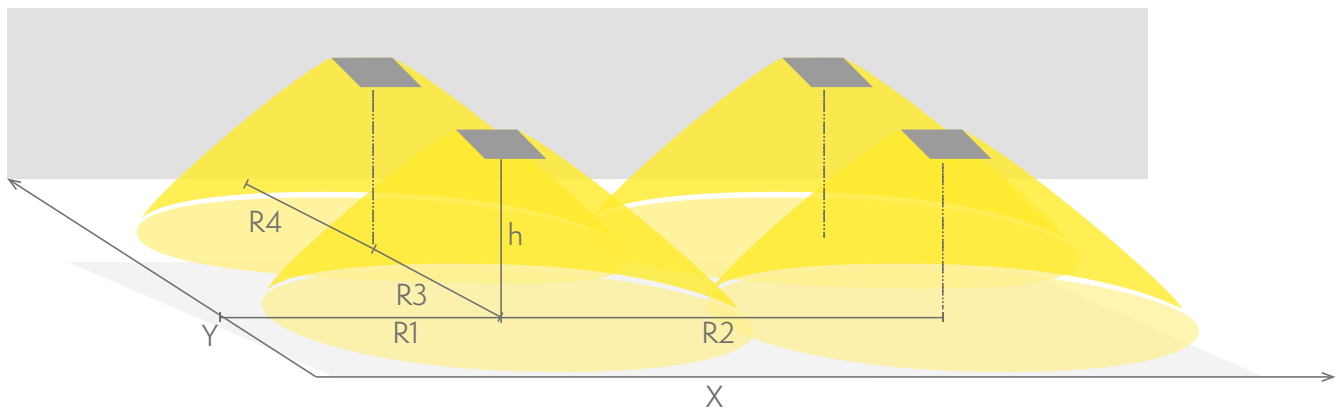
Date: February 18, 2021 | Source:

www.teknoware.com/en/emergency-lighting/zonespot-ii-midbay-led-emergency-light-twt9351wk



Teknoware Oy | P.O. Box 19, 15101 Lahti | Ilmarisentie 8, 15200 Lahti Finland

Tel +358 3 883 020 | VAT-number FI01494751 | teknoware.com | emexit@teknoware.com



- R1 distance from wall (X axis)
- R2 installation distance between lights (X axis)
- R3 installation distance between lights (Y axis)
- R4 distance from wall (Y axis)

TWT9351WK

Mounting height (m)	Below the light lux	R1 (m)	R2 (m)	R3 (m)	R4 (m)
		0,5 lux	0,5 lux	0,5 lux	0,5 lux
2,5	18	3	5	5	3
4	8	3,5	6	6	3,5
6	3,5	4,5	8	8	4,5
8	2	5,5	10	10	5,5

OPTIONAL ACCESSORIES:

SHOCK PROTECTING COVERS FOR EMERGENCY LIGHTS



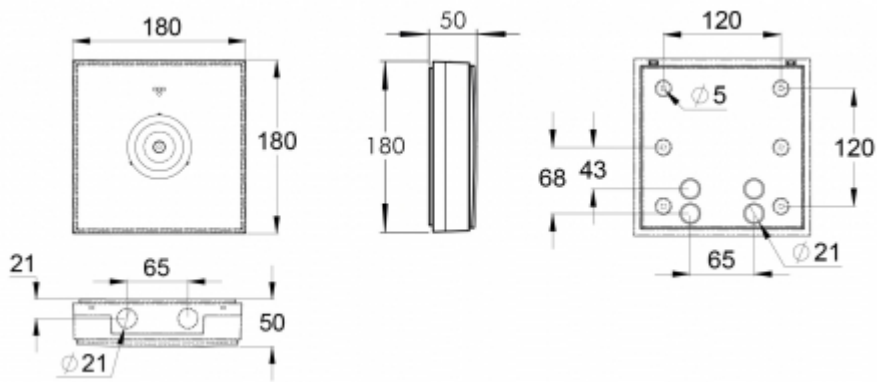
Product Code	Product Name	Compatible Product Groups
TW77507B	Shock protecting cover TW77507B	ESC 10 Emergency Exit Lights, ESC 80 Emergency Exit Lights

OPTIONAL MOUNTING ACCESSORIES FOR EMERGENCY LIGHTS

Product Code	Product Name	Compatible Product Groups
TW77504F	Suspension bracket TW77504F	Linespot II: Lowbay, Surface-Mounted Emergency Lights, Zonespot II: Lowbay, Surface-Mounted Emergency Lights, Zonespot II: Midbay, Surface-Mounted Emergency Lights, Linespot II: Midbay, Surface-Mounted Emergency Lights, Zonespot II: Highbay, Surface-Mounted Emergency Lights

We reserve the rights to make modifications without notice.
 Copyright © 2021 Teknoware. All rights reserved.
 Date: February 18, 2021 | Source:
www.teknoware.com/en/emergency-lighting/zonespot-ii-midbay-led-emergency-light-twt9351wk





We reserve the rights to make modifications without notice.

Copyright © 2021 Teknoware. All rights reserved.

Date: February 18, 2021 | Source:

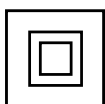
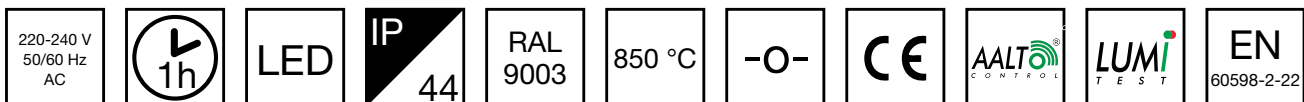
www.teknoware.com/en/emergency-lighting/zonespot-ii-midbay-led-emergency-light-twt9351wk



Teknoware Oy | P.O. Box 19, 15101 Lahti | Ilmarisentie 8, 15200 Lahti Finland

Tel +358 3 883 020 | VAT-number FI01494751 | teknoware.com | emexit@teknoware.com

ZONESPOT II MIDBAY LED EMERGENCY LIGHT TWT9352WA



Self-contained 1 h Battery, Aalto Control compatible, LED emergency light

Teknoware's Zonespot II Midbay is a surface mounted emergency light for open areas. TWT93/TWS93 model is suitable for areas with 2-8 meter's height. High Output version TWT9356WK can be mounted in up to 14 meter's height. Zonespot II Midbay is easy and fast to install thanks to a separate mounting base, into which the power supply is also connected.

Zonespot II Midbay takes advantage of the latest LED technology. Its optics are designed to provide a broad, uniform lighting pattern, which illuminates the open areas effectively. Zonespot II is also suitable for damp locations.

We reserve the rights to make modifications without notice.
Copyright © 2021 Teknoware. All rights reserved.
Date: February 18, 2021 | Source:
www.teknoware.com/en/emergency-lighting/zonespot-ii-midbay-led-emergency-light-twt9352wa



Teknoware Oy | P.O. Box 19, 15101 Lahti | Ilmarisentie 8, 15200 Lahti Finland
Tel +358 3 883 020 | VAT-number FI01494751 | teknoware.com | emexit@teknoware.com

INDIVIDUALLY PACKED LIGHTS

The product codes starting with letter Y include an individually packed luminaire. The product codes starting with TW include the luminaire only.

Product Code	IP Class	Luminous Flux (lm)
Y9352WA	IP44	165

Product Code	TWT9352WA
Feature	Aalto Control, Lumi Test
Mounting (standard)	surface
Mounting (optional)	pendel
Customs Code	94056080
GTIN Code	6438045019420
ETIM Product Class	EC001957
Length	180 mm
Width	180 mm
Height	50 mm
Weight	0,7 kg
Backup	1 h
Max Input Power VA	3 VA
Nominal Supply Voltage	220-240 V, 50/60 Hz AC
Protection Class	II
IP Class	IP44
Temperature Range Min - Max	0...+35 °C
Glow Wire Test of Plastic Materials	850 °C
Light Source	LED
Body Material	plastic

We reserve the rights to make modifications without notice.

Copyright © 2021 Teknoware. All rights reserved.

Date: February 18, 2021 | Source:

www.teknoware.com/en/emergency-lighting/zonespot-ii-midbay-led-emergency-light-twt9352wa

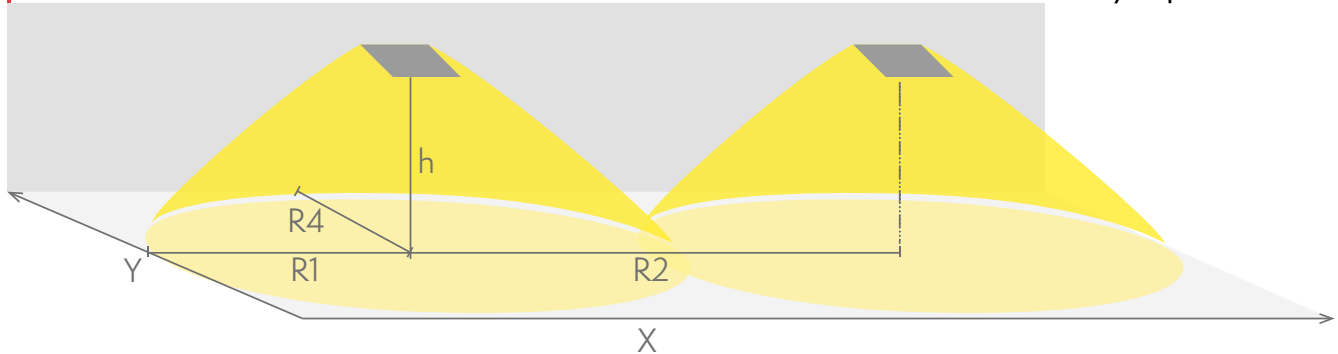


Colour	RAL9003
Electrical Installation	2/3 x 2,5 mm ²
Luminous Flux	165 lm

Emergency lighting for escape routes (ceiling mounting)

Table of 1 lux for escape routes in the middle line according to the norm EN 1838.

Level of measurement 0,02 m, measurement result with battery operation.



R1 distance from wall (X axis)

R2 installation distance between lights (X axis)

R4 distance from wall (Y axis)

TWT9352WA

Mounting height (m)	Below the light lux	R1 (m)	R2 (m)	R4 (m)
		1 lux	1 lux	1 lux
2,5	18	2,5	6	2,5
4	8	3	7,5	3
6	3,5	4	9	4
8	2	5	11	5

Emergency lighting for open areas (ceiling mounting)

Table of 0,5 lux for open areas according to the norm EN 1838, 0,5 m edge district is considered in the table.

Level of measurement 0,02 m, measurement result with battery operation.

We reserve the rights to make modifications without notice.

Copyright © 2021 Teknoware. All rights reserved.

Date: February 18, 2021 | Source:

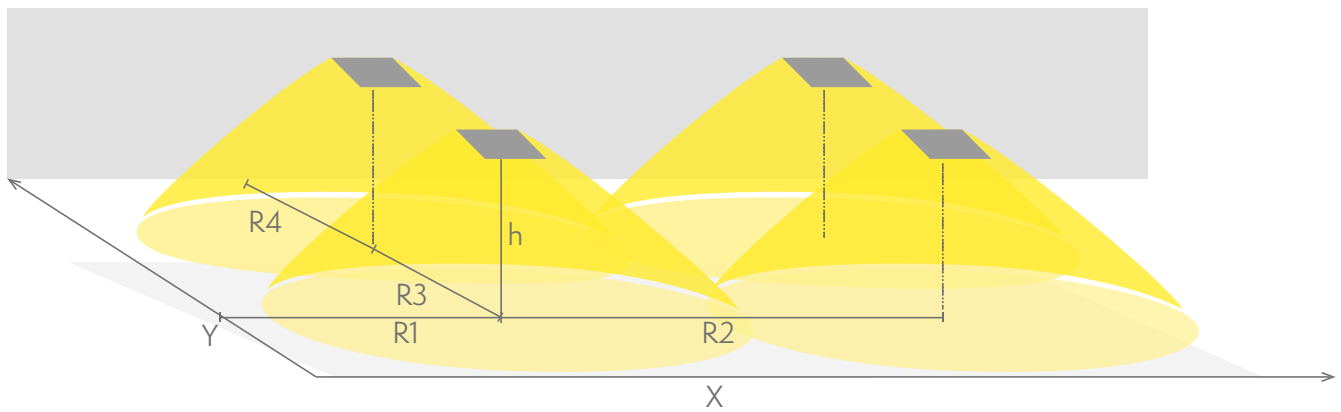
www.teknoware.com/en/emergency-lighting/zonespot-ii-midbay-led-emergency-light-twt9352wa

52wa



Teknoware Oy | P.O. Box 19, 15101 Lahti | Ilmarisentie 8, 15200 Lahti Finland

Tel +358 3 883 020 | VAT-number FI01494751 | teknoware.com | emexit@teknoware.com



- R1 distance from wall (X axis)
- R2 installation distance between lights (X axis)
- R3 installation distance between lights (Y axis)
- R4 distance from wall (Y axis)

TWT9352WA

Mounting height (m)	Below the light lux	R1 (m)	R2 (m)	R3 (m)	R4 (m)
		0,5 lux	0,5 lux	0,5 lux	0,5 lux
2,5	18	3	5	5	3
4	8	3,5	6	6	3,5
6	3,5	4,5	8	8	4,5
8	2	5,5	10	10	5,5

OPTIONAL ACCESSORIES:

SHOCK PROTECTING COVERS FOR EMERGENCY LIGHTS



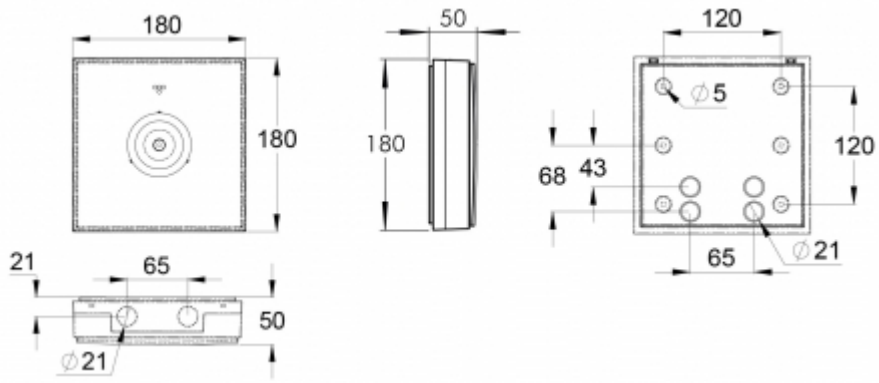
Product Code	Product Name	Compatible Product Groups
TW77507B	Shock protecting cover TW77507B	ESC 10 Emergency Exit Lights, ESC 80 Emergency Exit Lights

OPTIONAL MOUNTING ACCESSORIES FOR EMERGENCY LIGHTS

Product Code	Product Name	Compatible Product Groups
TW77504F	Suspension bracket TW77504F	Linespot II: Lowbay, Surface-Mounted Emergency Lights, Zonespot II: Lowbay, Surface-Mounted Emergency Lights, Zonespot II: Midbay, Surface-Mounted Emergency Lights, Linespot II: Midbay, Surface-Mounted Emergency Lights, Zonespot II: Highbay, Surface-Mounted Emergency Lights

We reserve the rights to make modifications without notice.
 Copyright © 2021 Teknoware. All rights reserved.
 Date: February 18, 2021 | Source:
www.teknoware.com/en/emergency-lighting/zonespot-ii-midbay-led-emergency-light-twt9352wa



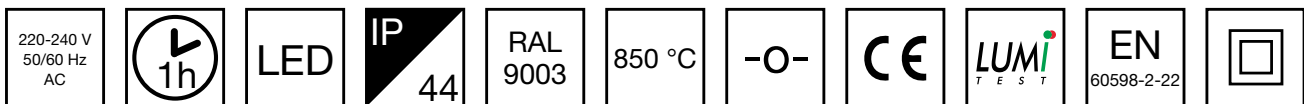


We reserve the rights to make modifications without notice.
 Copyright © 2021 Teknoware. All rights reserved.
 Date: February 18, 2021 | Source:
www.teknoware.com/en/emergency-lighting/zonespot-ii-midbay-led-emergency-light-twt9352wa



Teknoware Oy | P.O. Box 19, 15101 Lahti | Ilmarisentie 8, 15200 Lahti Finland
 Tel +358 3 883 020 | VAT-number FI01494751 | teknoware.com | emexit@teknoware.com

ZONESPOT II MIDBAY LED EMERGENCY LIGHT TWT9352WM



Self-contained 1 h Battery with Lumi Test Self-testing, LED emergency light

Teknoware's Zonespot II Midbay is a surface mounted emergency light for open areas. TWT93/TWS93 model is suitable for areas with 2-8 meter's height. High Output version TWT9356WK can be mounted in up to 14 meter's height. Zonespot II Midbay is easy and fast to install thanks to a separate mounting base, into which the power supply is also connected.

Zonespot II Midbay takes advantage of the latest LED technology. Its optics are designed to provide a broad, uniform lighting pattern, which illuminates the open areas effectively. Zonespot II is also suitable for damp locations.

We reserve the rights to make modifications without notice.
Copyright © 2021 Teknoware. All rights reserved.
Date: February 18, 2021 | Source:
www.teknoware.com/en/emergency-lighting/zonespot-ii-midbay-led-emergency-light-twt9352wm



Teknoware Oy | P.O. Box 19, 15101 Lahti | Ilmarisentie 8, 15200 Lahti Finland
Tel +358 3 883 020 | VAT-number FI01494751 | teknoware.com | emexit@teknoware.com

INDIVIDUALLY PACKED LIGHTS

The product codes starting with letter Y include an individually packed luminaire. The product codes starting with TW include the luminaire only.

Product Code	IP Class	Luminous Flux (lm)
Y9352WM	IP44	165

Product Code	TWT9352WM
Feature	Lumi Test
Mounting (standard)	surface
Mounting (optional)	pendel
Customs Code	94056080
GTIN Code	6438045019437
ETIM Product Class	EC001957
Length	180 mm
Width	180 mm
Height	50 mm
Weight	0,7 kg
Backup	1 h
Max Input Power VA	3 VA
Nominal Supply Voltage	220-240 V, 50/60 Hz AC
Protection Class	II
IP Class	IP44
Temperature Range Min - Max	0...+35 °C
Glow Wire Test of Plastic Materials	850 °C
Light Source	LED
Body Material	plastic

We reserve the rights to make modifications without notice.
Copyright © 2021 Teknoware. All rights reserved.
Date: February 18, 2021 | Source:
www.teknoware.com/en/emergency-lighting/zonespot-ii-midbay-led-emergency-light-twt9352wm



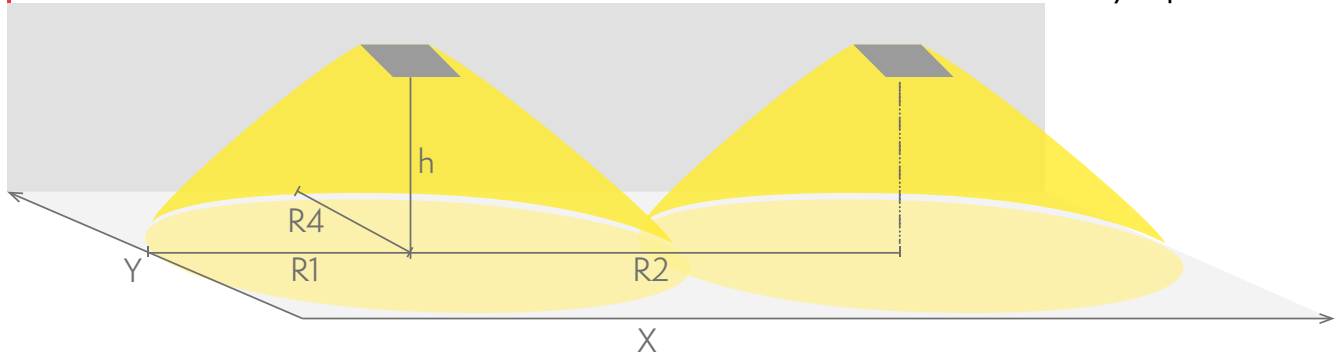
Teknoware Oy | P.O. Box 19, 15101 Lahti | Ilmarisentie 8, 15200 Lahti Finland
Tel +358 3 883 020 | VAT-number FI01494751 | teknoware.com | emexit@teknoware.com

Colour	RAL9003
Electrical Installation	2/3 x 2,5 mm ²
Luminous Flux	165 lm

Emergency lighting for escape routes (ceiling mounting)

Table of 1 lux for escape routes in the middle line according to the norm EN 1838.

Level of measurement 0,02 m, measurement result with battery operation.



R1 distance from wall (X axis)

R2 installation distance between lights (X axis)

R4 distance from wall (Y axis)

TWT9352WM

Mounting height (m)	Below the light lux	R1 (m)	R2 (m)	R4 (m)
		1 lux	1 lux	1 lux
2,5	18	2,5	6	2,5
4	8	3	7,5	3
6	3,5	4	9	4
8	2	5	11	5

Emergency lighting for open areas (ceiling mounting)

Table of 0,5 lux for open areas according to the norm EN 1838, 0,5 m edge district is considered in the table.

Level of measurement 0,02 m, measurement result with battery operation.

We reserve the rights to make modifications without notice.

Copyright © 2021 Teknoware. All rights reserved.

Date: February 18, 2021 | Source:

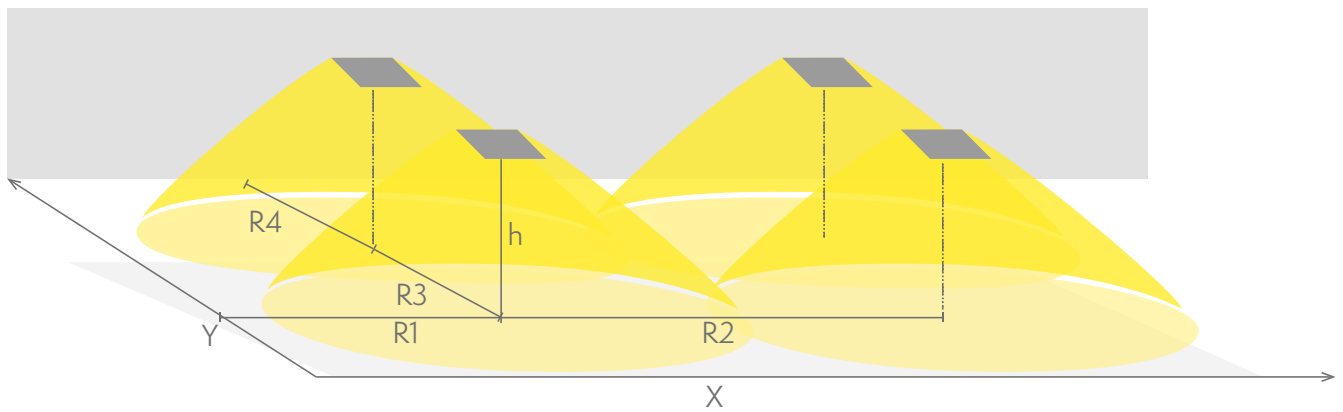
www.teknoware.com/en/emergency-lighting/zonespot-ii-midbay-led-emergency-light-twt9352wm

52wm



Teknoware Oy | P.O. Box 19, 15101 Lahti | Ilmarisentie 8, 15200 Lahti Finland

Tel +358 3 883 020 | VAT-number FI01494751 | teknoware.com | emexit@teknoware.com



- R1 distance from wall (X axis)
- R2 installation distance between lights (X axis)
- R3 installation distance between lights (Y axis)
- R4 distance from wall (Y axis)

TWT9352WM

Mounting height (m)	Below the light lux	R1 (m)	R2 (m)	R3 (m)	R4 (m)
		0,5 lux	0,5 lux	0,5 lux	0,5 lux
2,5	18	3	5	5	3
4	8	3,5	6	6	3,5
6	3,5	4,5	8	8	4,5
8	2	5,5	10	10	5,5

OPTIONAL ACCESSORIES:

SHOCK PROTECTING COVERS FOR EMERGENCY LIGHTS



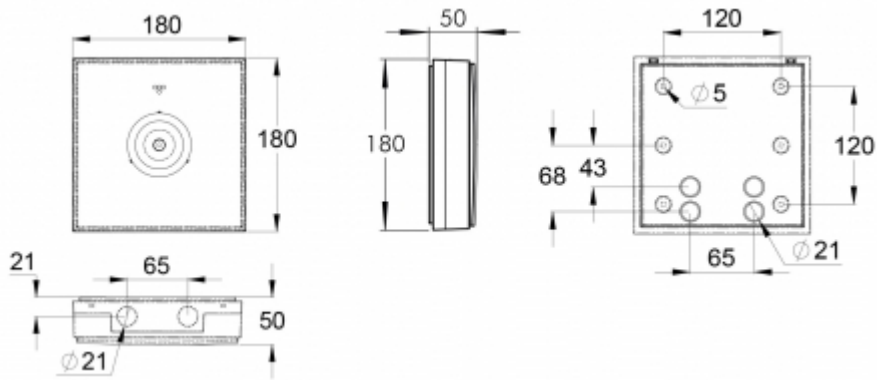
Product Code	Product Name	Compatible Product Groups
TW77507B	Shock protecting cover TW77507B	ESC 10 Emergency Exit Lights, ESC 80 Emergency Exit Lights

OPTIONAL MOUNTING ACCESSORIES FOR EMERGENCY LIGHTS

Product Code	Product Name	Compatible Product Groups
TW77504F	Suspension bracket TW77504F	Linespot II: Lowbay, Surface-Mounted Emergency Lights, Zonespot II: Lowbay, Surface-Mounted Emergency Lights, Zonespot II: Midbay, Surface-Mounted Emergency Lights, Linespot II: Midbay, Surface-Mounted Emergency Lights, Zonespot II: Highbay, Surface-Mounted Emergency Lights

We reserve the rights to make modifications without notice.
 Copyright © 2021 Teknoware. All rights reserved.
 Date: February 18, 2021 | Source:
www.teknoware.com/en/emergency-lighting/zonespot-ii-midbay-led-emergency-light-twt9352wm



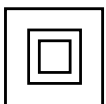
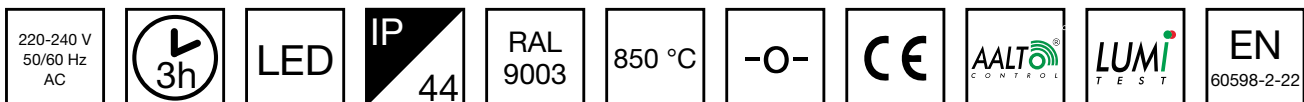


We reserve the rights to make modifications without notice.
 Copyright © 2021 Teknoware. All rights reserved.
 Date: February 18, 2021 | Source:
www.teknoware.com/en/emergency-lighting/zonespot-ii-midbay-led-emergency-light-twt93-52wm



Teknoware Oy | P.O. Box 19, 15101 Lahti | Ilmarisentie 8, 15200 Lahti Finland
 Tel +358 3 883 020 | VAT-number FI01494751 | teknoware.com | emexit@teknoware.com

ZONESPOT II MIDBAY LED EMERGENCY LIGHT TWT9353WA



Self-contained 3 h Battery, Aalto Control compatible, LED emergency light

Teknoware's Zonespot II Midbay is a surface mounted emergency light for open areas. TWT93/TWS93 model is suitable for areas with 2-8 meter's height. High Output version TWT9356WK can be mounted in up to 14 meter's height. Zonespot II Midbay is easy and fast to install thanks to a separate mounting base, into which the power supply is also connected.

Zonespot II Midbay takes advantage of the latest LED technology. Its optics are designed to provide a broad, uniform lighting pattern, which illuminates the open areas effectively. Zonespot II is also suitable for damp locations.

We reserve the rights to make modifications without notice.
Copyright © 2021 Teknoware. All rights reserved.
Date: February 18, 2021 | Source:
www.teknoware.com/en/emergency-lighting/zonespot-ii-midbay-led-emergency-light-twt9353wa



Teknoware Oy | P.O. Box 19, 15101 Lahti | Ilmarisentie 8, 15200 Lahti Finland
Tel +358 3 883 020 | VAT-number FI01494751 | teknoware.com | emexit@teknoware.com

INDIVIDUALLY PACKED LIGHTS

The product codes starting with letter Y include an individually packed luminaire. The product codes starting with TW include the luminaire only.

Product Code	IP Class	Luminous Flux (lm)
Y9353WA	IP44	165

Product Code	TWT9353WA
Feature	Aalto Control, Lumi Test
Mounting (standard)	surface
Mounting (optional)	pendel
Customs Code	94056080
GTIN Code	6438045019444
ETIM Product Class	EC001957
Length	180 mm
Width	180 mm
Height	50 mm
Weight	0,9 kg
Backup	3 h
Max Input Power VA	6 VA
Nominal Supply Voltage	220-240 V, 50/60 Hz AC
Protection Class	II
IP Class	IP44
Temperature Range Min - Max	0...+35 °C
Glow Wire Test of Plastic Materials	850 °C
Light Source	LED
Body Material	plastic

We reserve the rights to make modifications without notice.
Copyright © 2021 Teknoware. All rights reserved.
Date: February 18, 2021 | Source:
www.teknoware.com/en/emergency-lighting/zonespot-ii-midbay-led-emergency-light-twt9353wa



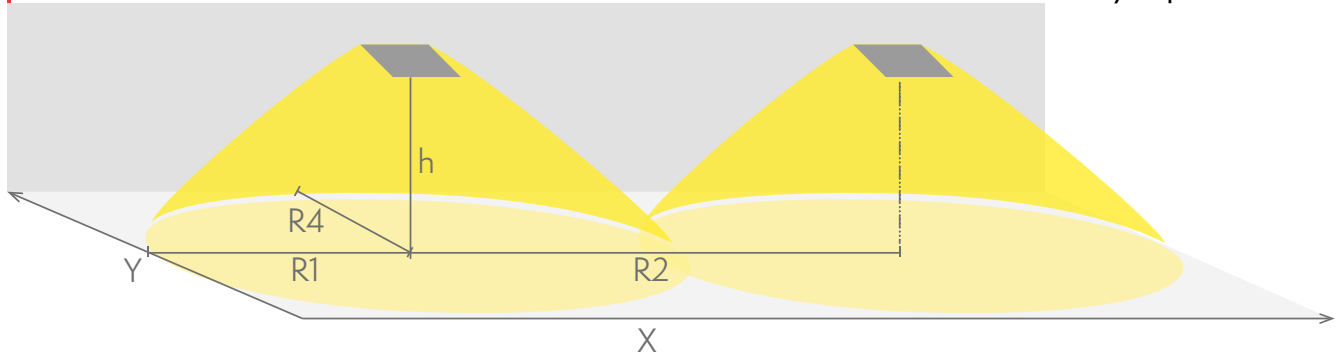
Teknoware Oy | P.O. Box 19, 15101 Lahti | Ilmarisentie 8, 15200 Lahti Finland
Tel +358 3 883 020 | VAT-number FI01494751 | teknoware.com | emexit@teknoware.com

Colour	RAL9003
Electrical Installation	2/3 x 2,5 mm ²
Luminous Flux	165 lm

Emergency lighting for escape routes (ceiling mounting)

Table of 1 lux for escape routes in the middle line according to the norm EN 1838.

Level of measurement 0,02 m, measurement result with battery operation.



R1 distance from wall (X axis)

R2 installation distance between lights (X axis)

R4 distance from wall (Y axis)

TWT9353WA

Mounting height (m)	Below the light lux	R1 (m)	R2 (m)	R4 (m)
		1 lux	1 lux	1 lux
2,5	18	2,5	6	2,5
4	8	3	7,5	3
6	3,5	4	9	4
8	2	5	11	5

Emergency lighting for open areas (ceiling mounting)

Table of 0,5 lux for open areas according to the norm EN 1838, 0,5 m edge district is considered in the table.

Level of measurement 0,02 m, measurement result with battery operation.

We reserve the rights to make modifications without notice.

Copyright © 2021 Teknoware. All rights reserved.

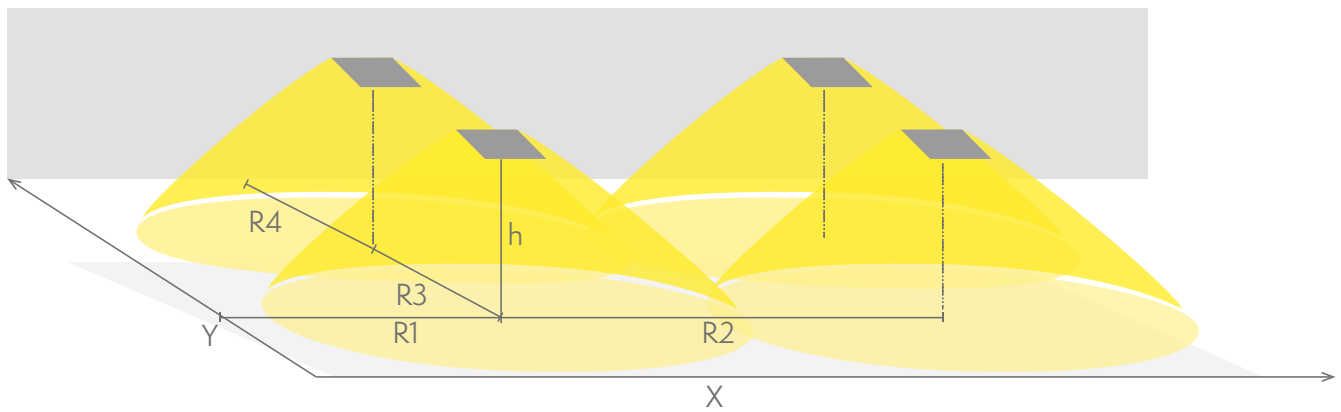
Date: February 18, 2021 | Source:

www.teknoware.com/en/emergency-lighting/zonespot-ii-midbay-led-emergency-light-twt9353wa



Teknoware Oy | P.O. Box 19, 15101 Lahti | Ilmarisentie 8, 15200 Lahti Finland

Tel +358 3 883 020 | VAT-number FI01494751 | teknoware.com | emexit@teknoware.com



- R1 distance from wall (X axis)
- R2 installation distance between lights (X axis)
- R3 installation distance between lights (Y axis)
- R4 distance from wall (Y axis)

TWT9353WA

Mounting height (m)	Below the light lux	R1 (m)	R2 (m)	R3 (m)	R4 (m)
		0,5 lux	0,5 lux	0,5 lux	0,5 lux
2,5	18	3	5	5	3
4	8	3,5	6	6	3,5
6	3,5	4,5	8	8	4,5
8	2	5,5	10	10	5,5

OPTIONAL ACCESSORIES:

SHOCK PROTECTING COVERS FOR EMERGENCY LIGHTS



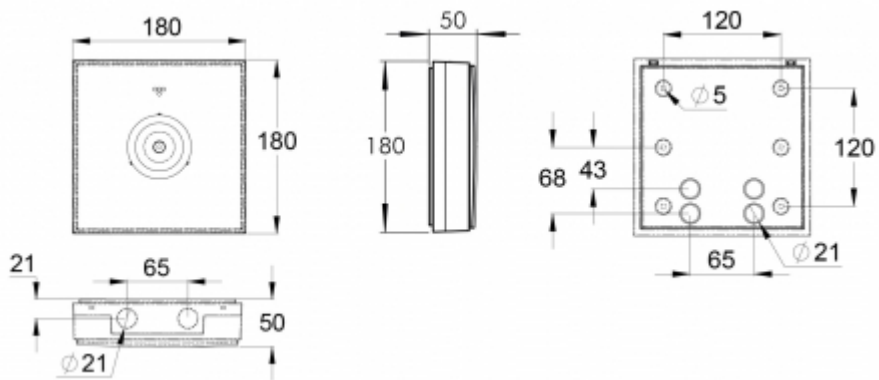
Product Code	Product Name	Compatible Product Groups
TW77507B	Shock protecting cover TW77507B	ESC 10 Emergency Exit Lights, ESC 80 Emergency Exit Lights

OPTIONAL MOUNTING ACCESSORIES FOR EMERGENCY LIGHTS

Product Code	Product Name	Compatible Product Groups
TW77504F	Suspension bracket TW77504F	Linespot II: Lowbay, Surface-Mounted Emergency Lights, Zonespot II: Lowbay, Surface-Mounted Emergency Lights, Zonespot II: Midbay, Surface-Mounted Emergency Lights, Linespot II: Midbay, Surface-Mounted Emergency Lights, Zonespot II: Highbay, Surface-Mounted Emergency Lights

We reserve the rights to make modifications without notice.
 Copyright © 2021 Teknoware. All rights reserved.
 Date: February 18, 2021 | Source:
www.teknoware.com/en/emergency-lighting/zonespot-ii-midbay-led-emergency-light-twt9353wa



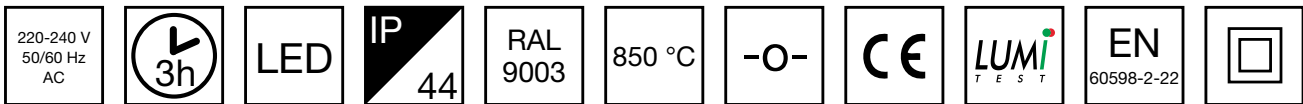


We reserve the rights to make modifications without notice.
 Copyright © 2021 Teknoware. All rights reserved.
 Date: February 18, 2021 | Source:
www.teknoware.com/en/emergency-lighting/zonespot-ii-midbay-led-emergency-light-twt9353wa



Teknoware Oy | P.O. Box 19, 15101 Lahti | Ilmarisentie 8, 15200 Lahti Finland
 Tel +358 3 883 020 | VAT-number FI01494751 | teknoware.com | emexit@teknoware.com

ZONESPOT II MIDBAY LED EMERGENCY LIGHT TWT9353WM



Self-contained 3 h Battery with Lumi Test Self-testing, LED emergency light

Teknoware's Zonespot II Midbay is a surface mounted emergency light for open areas. TWT93/TWS93 model is suitable for areas with 2-8 meter's height. High Output version TWT9356WK can be mounted in up to 14 meter's height. Zonespot II Midbay is easy and fast to install thanks to a separate mounting base, into which the power supply is also connected.

Zonespot II Midbay takes advantage of the latest LED technology. Its optics are designed to provide a broad, uniform lighting pattern, which illuminates the open areas effectively. Zonespot II is also suitable for damp locations.

We reserve the rights to make modifications without notice.
Copyright © 2021 Teknoware. All rights reserved.
Date: February 18, 2021 | Source:
www.teknoware.com/en/emergency-lighting/zonespot-ii-midbay-led-emergency-light-twt9353wm



Teknoware Oy | P.O. Box 19, 15101 Lahti | Ilmarisentie 8, 15200 Lahti Finland
Tel +358 3 883 020 | VAT-number FI01494751 | teknoware.com | emexit@teknoware.com

INDIVIDUALLY PACKED LIGHTS

The product codes starting with letter Y include an individually packed luminaire. The product codes starting with TW include the luminaire only.

Product Code	IP Class	Luminous Flux (lm)
Y9353WM	IP44	165

Product Code	TWT9353WM
Feature	Lumi Test
Mounting (standard)	surface
Mounting (optional)	pendel
Customs Code	94056080
GTIN Code	6438045019451
ETIM Product Class	EC001957
Length	180 mm
Width	180 mm
Height	50 mm
Weight	0,9 kg
Backup	3 h
Max Input Power VA	6 VA
Nominal Supply Voltage	220-240 V, 50/60 Hz AC
Protection Class	II
IP Class	IP44
Temperature Range Min - Max	0...+35 °C
Glow Wire Test of Plastic Materials	850 °C
Light Source	LED
Body Material	plastic

We reserve the rights to make modifications without notice.

Copyright © 2021 Teknoware. All rights reserved.

Date: February 18, 2021 | Source:

www.teknoware.com/en/emergency-lighting/zonespot-ii-midbay-led-emergency-light-twt9353wm

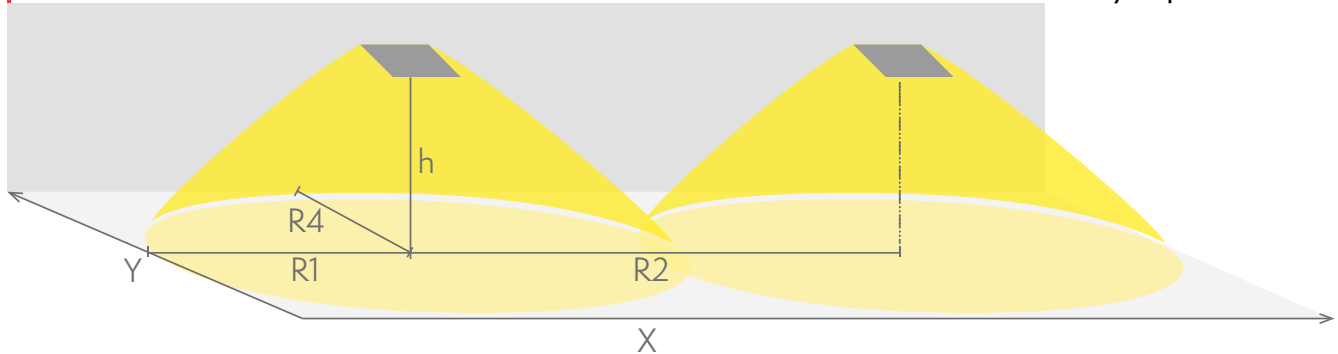


Colour	RAL9003
Electrical Installation	2/3 x 2,5 mm ²
Luminous Flux	165 lm

Emergency lighting for escape routes (ceiling mounting)

Table of 1 lux for escape routes in the middle line according to the norm EN 1838.

Level of measurement 0,02 m, measurement result with battery operation.



R1 distance from wall (X axis)

R2 installation distance between lights (X axis)

R4 distance from wall (Y axis)

TWT9353WM

Mounting height (m)	Below the light lux	R1 (m)	R2 (m)	R4 (m)
		1 lux	1 lux	1 lux
2,5	18	2,5	6	2,5
4	8	3	7,5	3
6	3,5	4	9	4
8	2	5	11	5

Emergency lighting for open areas (ceiling mounting)

Table of 0,5 lux for open areas according to the norm EN 1838, 0,5 m edge district is considered in the table.

Level of measurement 0,02 m, measurement result with battery operation.

We reserve the rights to make modifications without notice.

Copyright © 2021 Teknoware. All rights reserved.

Date: February 18, 2021 | Source:

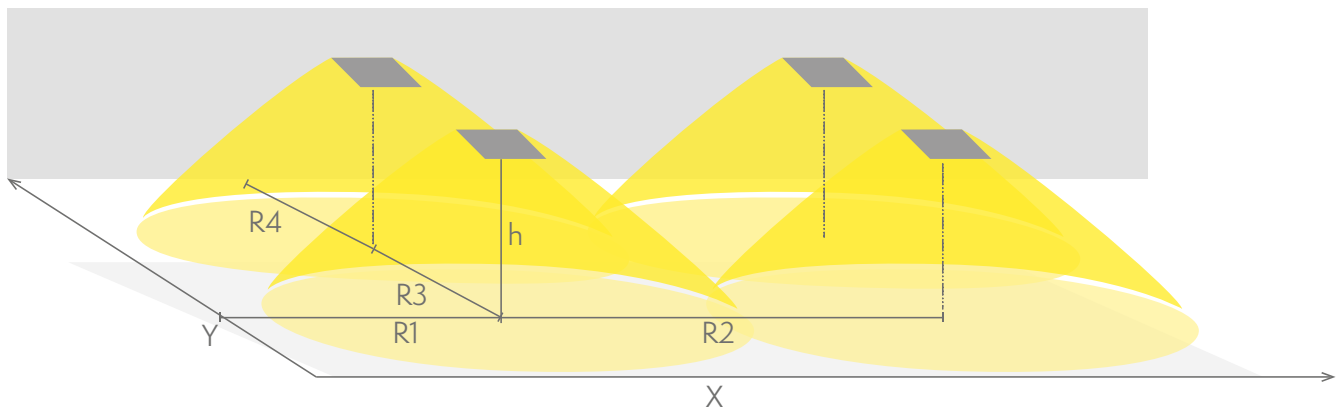
www.teknoware.com/en/emergency-lighting/zonespot-ii-midbay-led-emergency-light-twt9353wm

53wm



Teknoware Oy | P.O. Box 19, 15101 Lahti | Ilmarisentie 8, 15200 Lahti Finland

Tel +358 3 883 020 | VAT-number FI01494751 | teknoware.com | emexit@teknoware.com



- R1 distance from wall (X axis)
- R2 installation distance between lights (X axis)
- R3 installation distance between lights (Y axis)
- R4 distance from wall (Y axis)

TWT9353WM

Mounting height (m)	Below the light lux	R1 (m)	R2 (m)	R3 (m)	R4 (m)
		0,5 lux	0,5 lux	0,5 lux	0,5 lux
2,5	18	3	5	5	3
4	8	3,5	6	6	3,5
6	3,5	4,5	8	8	4,5
8	2	5,5	10	10	5,5

OPTIONAL ACCESSORIES:

SHOCK PROTECTING COVERS FOR EMERGENCY LIGHTS



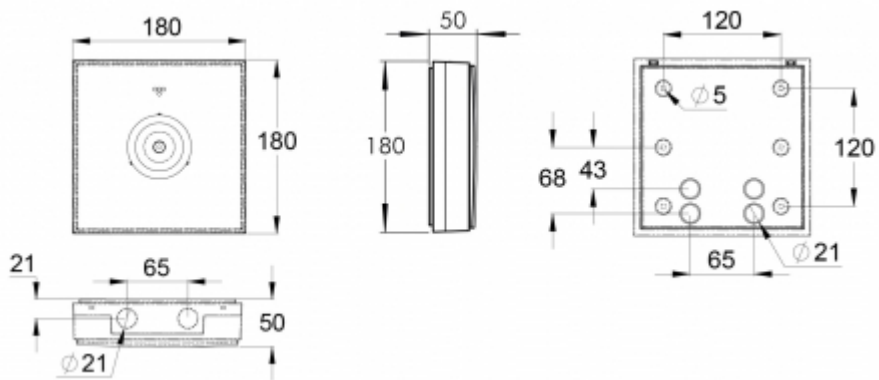
Product Code	Product Name	Compatible Product Groups
TW77507B	Shock protecting cover TW77507B	ESC 10 Emergency Exit Lights, ESC 80 Emergency Exit Lights

OPTIONAL MOUNTING ACCESSORIES FOR EMERGENCY LIGHTS

Product Code	Product Name	Compatible Product Groups
TW77504F	Suspension bracket TW77504F	Linespot II: Lowbay, Surface-Mounted Emergency Lights, Zonespot II: Lowbay, Surface-Mounted Emergency Lights, Zonespot II: Midbay, Surface-Mounted Emergency Lights, Linespot II: Midbay, Surface-Mounted Emergency Lights, Zonespot II: Highbay, Surface-Mounted Emergency Lights

We reserve the rights to make modifications without notice.
 Copyright © 2021 Teknoware. All rights reserved.
 Date: February 18, 2021 | Source:
www.teknoware.com/en/emergency-lighting/zonespot-ii-midbay-led-emergency-light-twt9353wm



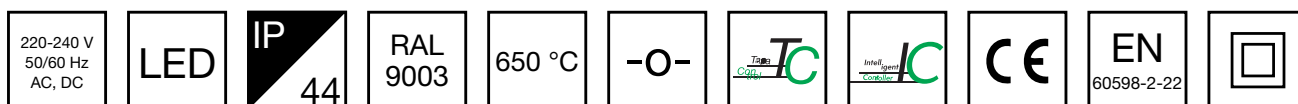


We reserve the rights to make modifications without notice.
 Copyright © 2021 Teknoware. All rights reserved.
 Date: February 18, 2021 | Source:
www.teknoware.com/en/emergency-lighting/zonespot-ii-midbay-led-emergency-light-twt93-53wm



Teknoware Oy | P.O. Box 19, 15101 Lahti | Ilmarisentie 8, 15200 Lahti Finland
 Tel +358 3 883 020 | VAT-number FI01494751 | teknoware.com | emexit@teknoware.com

ZONESPOT II MIDBAY LED EMERGENCY LIGHT TWT9356WK



Addressable 230 V centrally supplied LED emergency light for installation heights of 3 to 14 m

Teknoware's Zonespot II Midbay is a surface mounted emergency light for open areas. TWT93/TWS93 model is suitable for areas with 2-8 meter's height. High Output version TWT9356WK can be mounted in up to 14 meter's height. Zonespot II Midbay is easy and fast to install thanks to a separate mounting base, into which the power supply is also connected.

Zonespot II Midbay takes advantage of the latest LED technology. Its optics are designed to provide a broad, uniform lighting pattern, which illuminates the open areas effectively. Zonespot II is also suitable for damp locations.

INDIVIDUALLY PACKED LIGHTS

The product codes starting with letter Y include an individually packed luminaire. The product codes starting with TW include the luminaire only.

Product Code	IP Class	Luminous Flux (lm)
Y9356WK	IP44	490

Product Code	TWT9356WK
Feature	Intelligent Controller, Tapsa Control
Mounting (standard)	surface
Mounting (optional)	pendel
Customs Code	94056080
GTIN Code	6438045019284
ETIM Product Class	EC001957
Length	180 mm
Width	50 mm
Height	180 mm
Weight	0,5 kg
Max Input Power VA	16 VA
Max Input Power W	9,5 W
Nominal Supply Voltage	220-240 V, 50/60 Hz AC, DC
Protection Class	II
IP Class	IP44
Temperature Range Min - Max	-30...+50 °C
Glow Wire Test of Plastic Materials	650 °C
Light Source	LED
Body Material	plastic

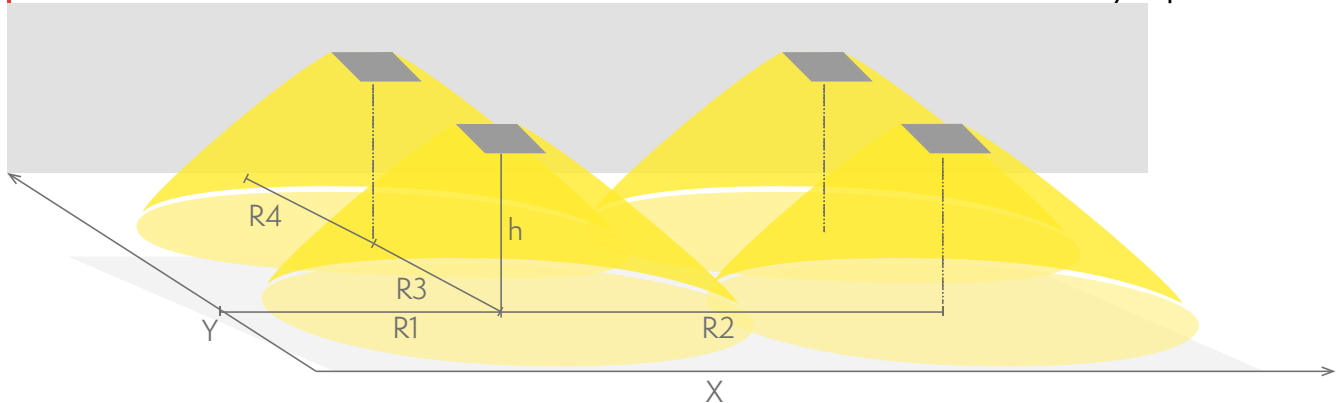
We reserve the rights to make modifications without notice.
Copyright © 2021 Teknoware. All rights reserved.
Date: February 18, 2021 | Source:
www.teknoware.com/en/emergency-lighting/zonespot-ii-midbay-led-emergency-light-twt9356wk



Colour	RAL9003
Electrical Installation	2/3 x 2,5 mm ²
Luminous Flux	490 lm

Emergency lighting for open areas (ceiling mounting)

Table of 0,5 lux for open areas according to the norm EN 1838, 0,5 m edge district is considered in the table.
Level of measurement 0,02 m, measurement result with battery operation.



- R1 distance from wall (X axis)
- R2 installation distance between lights (X axis)
- R3 installation distance between lights (Y axis)
- R4 distance from wall (Y axis)

TWT9356WK

Mounting height (m)	Below the light lux	R1 (m)	R2 (m)	R3 (m)	R4 (m)
		0,5 lux	0,5 lux	0,5 lux	0,5 lux
3	36	4,5	8	8	4,5
4	21	5	9	9	5
6	11	6,5	12	12	6,5
8	5	7,5	14	14	7,5
10	3	8,5	16	16	8,5
12	2,5	9,5	18	18	9,5
14	1,8	10,5	20	20	10,5

OPTIONAL ACCESSORIES:

We reserve the rights to make modifications without notice.
Copyright © 2021 Teknoware. All rights reserved.
Date: February 18, 2021 | Source:
www.teknoware.com/en/emergency-lighting/zonespot-ii-midbay-led-emergency-light-twt9356wk



SHOCK PROTECTING COVERS FOR EMERGENCY LIGHTS



Product Code	Product Name	Compatible Product Groups
TW77507B	Shock protecting cover TW77507B	ESC 10 Emergency Exit Lights, ESC 80 Emergency Exit Lights

OPTIONAL MOUNTING ACCESSORIES FOR EMERGENCY LIGHTS

Product Code	Product Name	Compatible Product Groups
TW77504F	Suspension bracket TW77504F	Linespot II: Lowbay, Surface-Mounted Emergency Lights, Zonespot II: Lowbay, Surface-Mounted Emergency Lights, Zonespot II: Midbay, Surface-Mounted Emergency Lights, Linespot II: Midbay, Surface-Mounted Emergency Lights, Zonespot II: Highbay, Surface-Mounted Emergency Lights

We reserve the rights to make modifications without notice.

Copyright © 2021 Teknoware. All rights reserved.

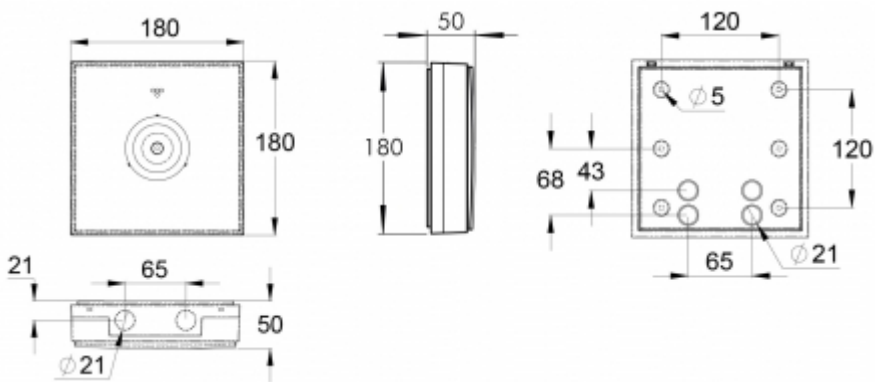
Date: February 18, 2021 | Source:

www.teknoware.com/en/emergency-lighting/zonespot-ii-midbay-led-emergency-light-twt9356wk



Teknoware Oy | P.O. Box 19, 15101 Lahti | Ilmarisentie 8, 15200 Lahti Finland

Tel +358 3 883 020 | VAT-number FI01494751 | teknoware.com | emexit@teknoware.com



We reserve the rights to make modifications without notice.

Copyright © 2021 Teknoware. All rights reserved.

Date: February 18, 2021 | Source:

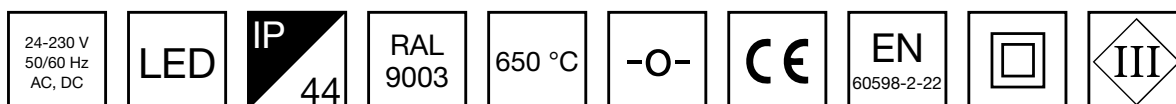
www.teknoware.com/en/emergency-lighting/zonespot-ii-midbay-led-emergency-light-twt9356wk



Teknoware Oy | P.O. Box 19, 15101 Lahti | Ilmarisentie 8, 15200 Lahti Finland

Tel +358 3 883 020 | VAT-number FI01494751 | teknoware.com | emexit@teknoware.com

ZONESPOT II MIDBAY LED EMERGENCY LIGHT TWT9371W



24-230 V centrally supplied LED emergency light

Teknoware's Zonespot II Midbay is a surface mounted emergency light for open areas. TWT93/TWS93 model is suitable for areas with 2-8 meter's height. High Output version TWT9356WK can be mounted in up to 14 meter's height. Zonespot II Midbay is easy and fast to install thanks to a separate mounting base, into which the power supply is also connected.

Zonespot II Midbay takes advantage of the latest LED technology. Its optics are designed to provide a broad, uniform lighting pattern, which illuminates the open areas effectively. Zonespot II is also suitable for damp locations.

We reserve the rights to make modifications without notice.
Copyright © 2021 Teknoware. All rights reserved.
Date: February 18, 2021 | Source:
www.teknoware.com/en/emergency-lighting/zonespot-ii-midbay-led-emergency-light-twt9371w



Teknoware Oy | P.O. Box 19, 15101 Lahti | Ilmarisentie 8, 15200 Lahti Finland
Tel +358 3 883 020 | VAT-number FI01494751 | teknoware.com | emexit@teknoware.com

INDIVIDUALLY PACKED LIGHTS

The product codes starting with letter Y include an individually packed luminaire. The product codes starting with TW include the luminaire only.

Product Code	IP Class	Luminous Flux (lm)
Y9371W	IP44	165

Product Code	TWT9371W
Mounting (standard)	surface
Mounting (optional)	pendel
Customs Code	94056080
GTIN Code	6438045019178
ETIM Product Class	EC001957
Length	180 mm
Width	180 mm
Height	50 mm
Weight	0,5 kg
Max Input Power VA	8 VA (24 V), 10 VA (230 V)
Max Input Power W	5 W (24 V), 5 W (230 V)
Nominal Supply Voltage	24-230 V, 50/60 Hz AC, DC
Protection Class	III (24 V), II (230 V)
IP Class	IP44
Temperature Range Min - Max	-30...+50 °C
Glow Wire Test of Plastic Materials	650 °C
Light Source	LED
Body Material	plastic
Colour	RAL9003

We reserve the rights to make modifications without notice.
Copyright © 2021 Teknoware. All rights reserved.
Date: February 18, 2021 | Source:
www.teknoware.com/en/emergency-lighting/zonespot-ii-midbay-led-emergency-light-twt9371w



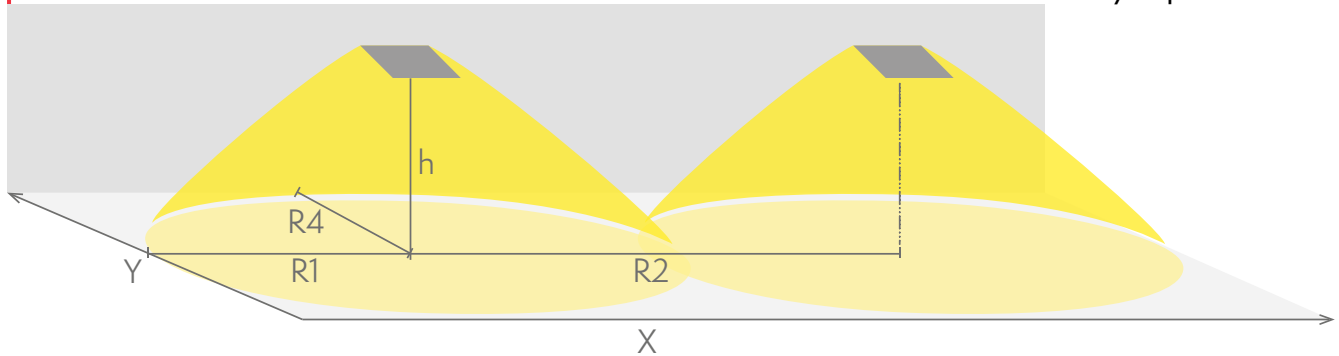
Teknoware Oy | P.O. Box 19, 15101 Lahti | Ilmarisentie 8, 15200 Lahti Finland
Tel +358 3 883 020 | VAT-number FI01494751 | teknoware.com | emexit@teknoware.com

Electrical Installation	2 x 2,5 mm ² (24 V), 3 x 2,5 mm ² (230 V)
Luminous Flux	165 lm

Emergency lighting for escape routes (ceiling mounting)

Table of 1 lux for escape routes in the middle line according to the norm EN 1838.

Level of measurement 0,02 m, measurement result with battery operation.



R1 distance from wall (X axis)

R2 installation distance between lights (X axis)

R4 distance from wall (Y axis)

TWT9371W

Mounting height (m)	Below the light lux	R1 (m)	R2 (m)	R4 (m)
		1 lux	1 lux	1 lux
2,5	18	2,5	6	2,5
4	8	3	7,5	3
6	3,5	4	9	4
8	2	5	11	5

Emergency lighting for open areas (ceiling mounting)

Table of 0,5 lux for open areas according to the norm EN 1838, 0,5 m edge district is considered in the table.

Level of measurement 0,02 m, measurement result with battery operation.

We reserve the rights to make modifications without notice.

Copyright © 2021 Teknoware. All rights reserved.

Date: February 18, 2021 | Source:

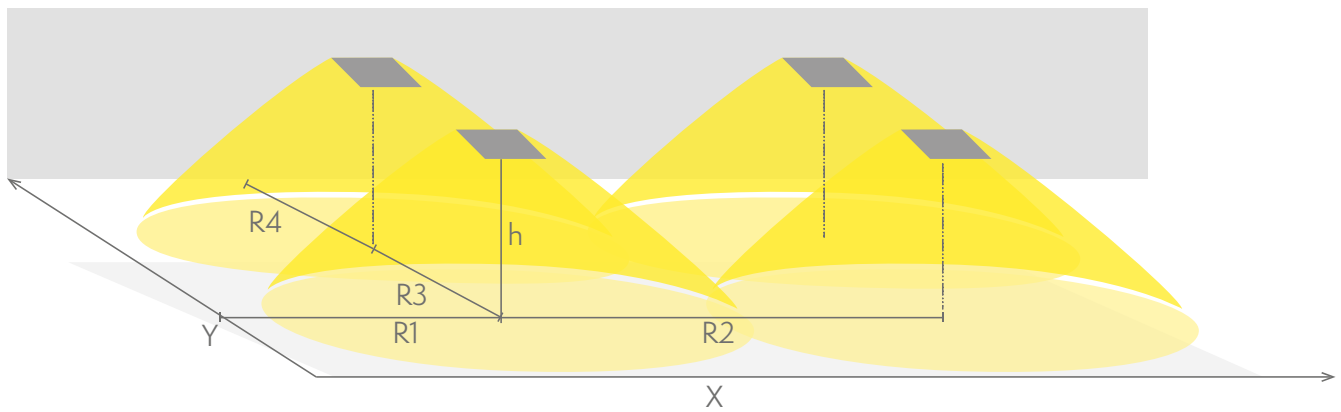
www.teknoware.com/en/emergency-lighting/zonespot-ii-midbay-led-emergency-light-twt9371w

71w



Teknoware Oy | P.O. Box 19, 15101 Lahti | Ilmarisentie 8, 15200 Lahti Finland

Tel +358 3 883 020 | VAT-number FI01494751 | teknoware.com | emexit@teknoware.com



- R1 distance from wall (X axis)
- R2 installation distance between lights (X axis)
- R3 installation distance between lights (Y axis)
- R4 distance from wall (Y axis)

TWT9371W

Mounting height (m)	Below the light lux	R1 (m)	R2 (m)	R3 (m)	R4 (m)
		0,5 lux	0,5 lux	0,5 lux	0,5 lux
2,5	18	3	5	5	3
4	8	3,5	6	6	3,5
6	3,5	4,5	8	8	4,5
8	2	5,5	10	10	5,5

OPTIONAL ACCESSORIES:

SHOCK PROTECTING COVERS FOR EMERGENCY LIGHTS



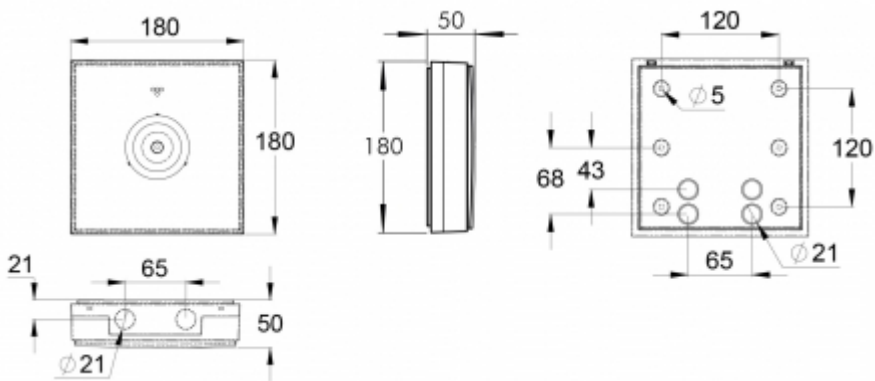
Product Code	Product Name	Compatible Product Groups
TW77507B	Shock protecting cover TW77507B	ESC 10 Emergency Exit Lights, ESC 80 Emergency Exit Lights

OPTIONAL MOUNTING ACCESSORIES FOR EMERGENCY LIGHTS

Product Code	Product Name	Compatible Product Groups
TW77504F	Suspension bracket TW77504F	Linespot II: Lowbay, Surface-Mounted Emergency Lights, Zonespot II: Lowbay, Surface-Mounted Emergency Lights, Zonespot II: Midbay, Surface-Mounted Emergency Lights, Linespot II: Midbay, Surface-Mounted Emergency Lights, Zonespot II: Highbay, Surface-Mounted Emergency Lights

We reserve the rights to make modifications without notice.
 Copyright © 2021 Teknoware. All rights reserved.
 Date: February 18, 2021 | Source:
www.teknoware.com/en/emergency-lighting/zonespot-ii-midbay-led-emergency-light-twt9371w





We reserve the rights to make modifications without notice.

Copyright © 2021 Teknoware. All rights reserved.

Date: February 18, 2021 | Source:

www.teknoware.com/en/emergency-lighting/zonespot-ii-midbay-led-emergency-light-twt9371w



Teknoware Oy | P.O. Box 19, 15101 Lahti | Ilmarisentie 8, 15200 Lahti Finland

Tel +358 3 883 020 | VAT-number FI01494751 | teknoware.com | emexit@teknoware.com